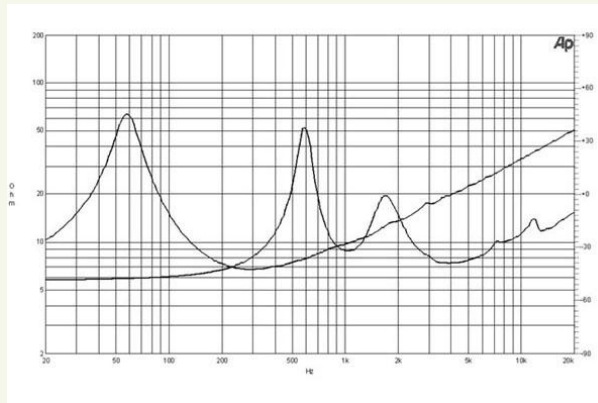
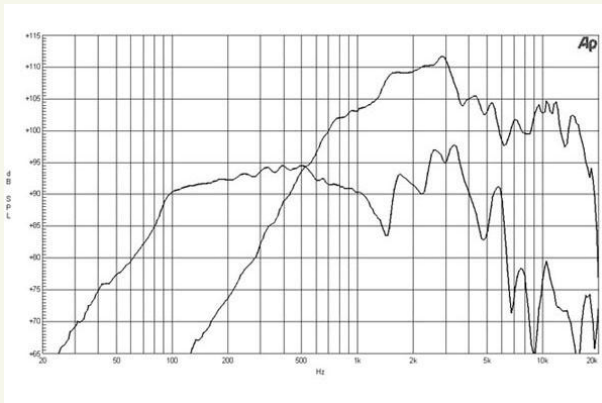




10NCX | Coaxials

400 W continuous program power capacity
 70° nominal coverage
 60 – 18000 Hz response
 94 dB sensitivity
 Single Neodymium magnet assembly
 XO-5 dedicated crossover network



Specifications

Nominal Diameter	250 mm (10 in)
Nominal Impedance	8 ohm
Minimum Impedance	6.8 ohm (LF)
	7.3 ohm (HF)
Frequency Range	60 - 18000 Hz
Dispersion Angle (1)	70°
LF Unit	
Sensitivity (1W/1m) (2)	94 db
Nominal Power Handling (3)	200 W
Continuous Power Handling (4)	400 W
Voice Coil Diameter	65 mm (2.5in)
Winding Material	Aluminium
HF Unit	
Sensitivity (1W/1m) (5)	106 dB
Nominal Power Handling (6)	50 W
Continuous Power Handling (7)	100 W
Voice Coil Diameter	65 mm (2.5 in)
Winding Material	Aluminium
Diaphragm Material	Titanium
Recom. Crossover (8)	1.2 kHz

Parameters

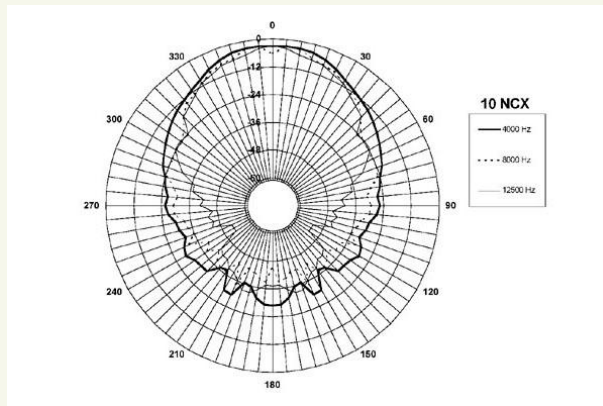
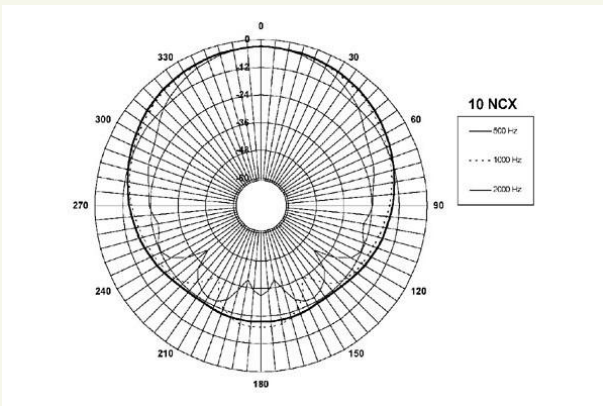
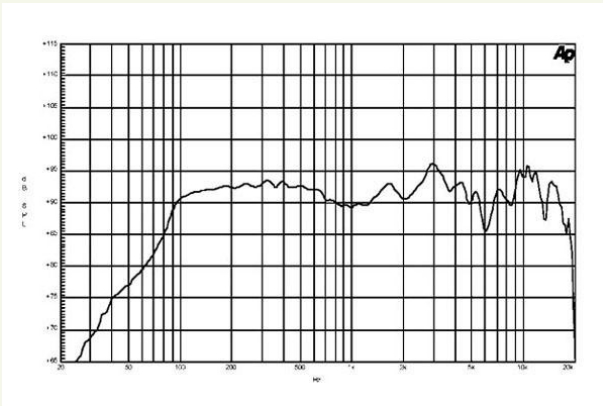
Fs	57 Hz
Re	5.6 ohm
Qes	0.35
Qms	3.7
Qts	0.32
Vas	40 dm3 (1.4 ft3)
Sd	320 cm2 (49.1 in2)
Eta Zero	2.0 %
Xmax	+/- 3 mm
Xvar	+/- 6 mm
Mms	28 g
Bl	12.7 Txm
Le	1.2 mH

Mounting and Shipping Info

Overall Diameter	262 mm (10.3 in)
Bolt Circle Diameter	245 mm (9.6 in)
Baffle Cutout Diameter	230 mm (8.8 in)
Depth	144 mm (5.7 in)
Flange and Gasket Thickness	14 mm (0.55 in)
Net Weight	3.9 kg (8.6 lb)
Shipping Weight	4.6 kg (10.1 lb)
Shipping Box	320x320x160 mm (12x12x6.3 in)

LF Drivers | Coaxials | HF Drivers | Horns





Crossover

Model	XO-5
Filter Type	Two way
Nominal Impedance	8 Ohm
Crossover Frequency	1.5 kHz
Slope	12 dB/oct. (Low) 12 dB/oct. (High)
Overall Dimensions	117x105 mm (4.6x4.1 in)
Weight	0.6 kg (1.3 lb)

¹Included by -6 dB down points, averaged from 1 kHz to 8 kHz with B&C XO-5 crossover filter.

²Applied RMS Voltage is set to 2.83V for 8 ohms Nominal Impedance.

³2 hours test made with continuous pink noise signal (6 dB crest factor) within the specified range . Power calculated on rated minimum impedance. Loudspeaker in free air.

⁴Power on Continuous Program is defined as 3 dB greater than the Nominal rating.

⁵Applied RMS Voltage is set to 2.83V for 8 ohms Nominal Impedance.

⁶2 hours test made with continuous pink noise signal (6 dB crest factor) within the specified range . Power calculated on rated minimum impedance. Loudspeaker in free air.

⁷Power on Continuous Program is defined as 3 dB greater than the Nominal rating.

⁸12 dB/oct. or higher slope high-pass filter.



Free Manuals Download Website

<http://myh66.com>

<http://usermanuals.us>

<http://www.somanuals.com>

<http://www.4manuals.cc>

<http://www.manual-lib.com>

<http://www.404manual.com>

<http://www.luxmanual.com>

<http://aubethermostatmanual.com>

Golf course search by state

<http://golfingnear.com>

Email search by domain

<http://emailbydomain.com>

Auto manuals search

<http://auto.somanuals.com>

TV manuals search

<http://tv.somanuals.com>