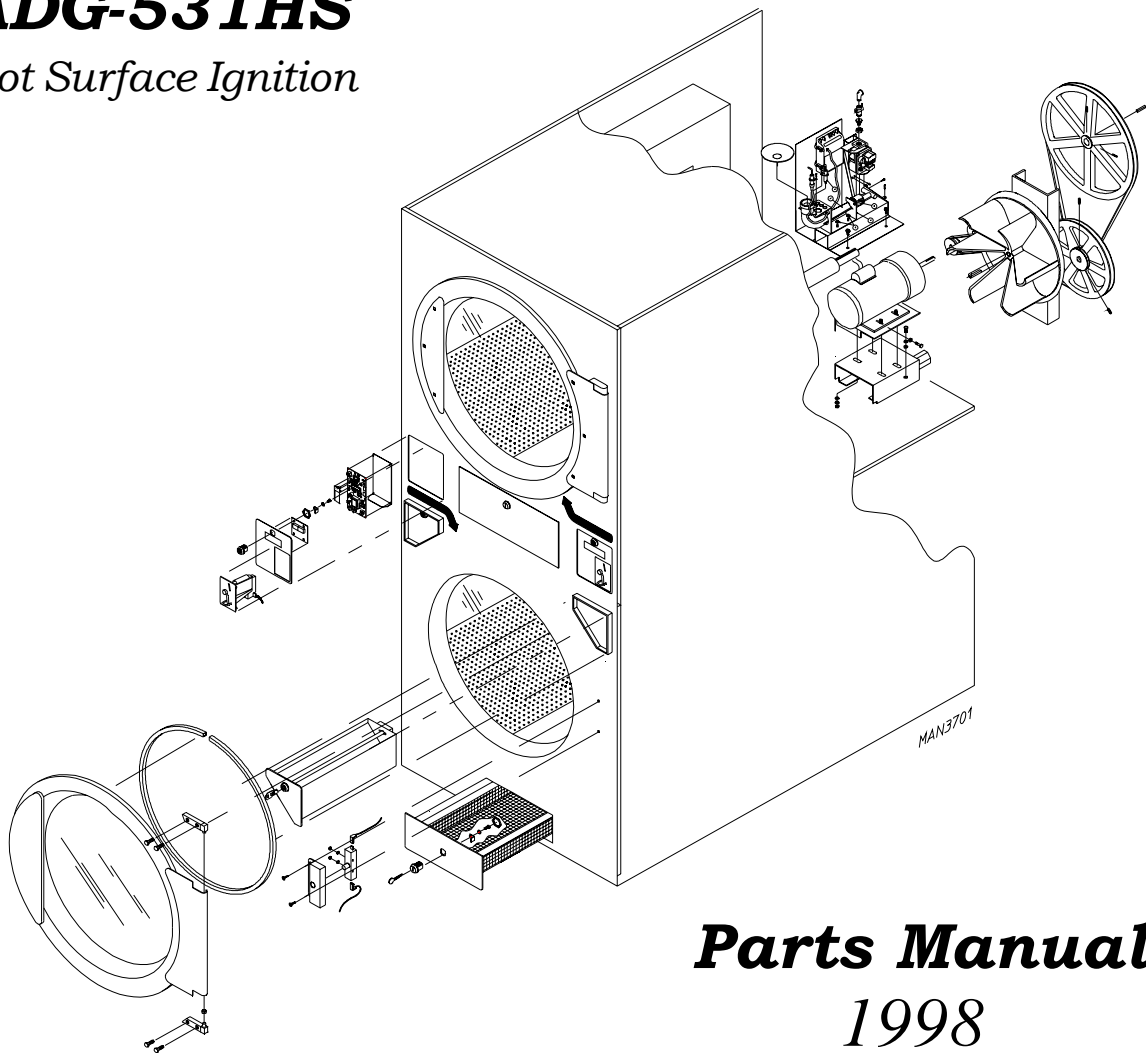




ADG-531HS

Hot Surface Ignition



Parts Manual **1998**

American Dryer Corporation
88 Currant Road
Fall River, MA 02720-4781
Telephone: (508) 678-9000 / Fax: (508) 678-9447
e-mail: techsupport@amdry.com
www.amdry.com

ADC Part No. 450191

Retain This Manual In A Safe Place For Future Reference

American Dryer Corporation products embody advanced concepts in engineering, design, and safety. If this product is properly maintained, it will provide many years of safe, efficient, and trouble free operation.

ONLY qualified technicians should service this equipment.

OBSERVE ALL SAFETY PRECAUTIONS displayed on the equipment or specified in the installation manual included with the dryer.

The following “**FOR YOUR SAFETY**” caution **must be** posted near the dryer in a prominent location.

FOR YOUR SAFETY

Do not store or use gasoline or other flammable vapors and liquids in the vicinity of this or any other appliance.

POUR VOTRE SÉCURITÉ

Ne pas entreposer ni utiliser d'essence ni d'autres vapeurs ou liquides inflammables à proximité de cet appareil ou de tout autre appareil.

We have tried to make this manual as complete as possible and hope you will find it useful. **ADC** reserves the right to make changes from time to time, without notice or obligation, in prices, specifications, colors, and material, and to change or discontinue models.

Important

For your convenience, log the following information:

DATE OF PURCHASE _____ **MODEL NO.** **ADG-531HS**

RESELLER'S NAME _____

Serial Number(s) _____

Replacement parts can be obtained from your reseller or the **ADC** factory. When ordering replacement parts from the factory, you can FAX your order to **ADC** at (508) 678-9447 or telephone your order directly to the **ADC** Parts Department at (508) 678-9000. Please specify the dryer **model number** and **serial number** in addition to the **description** and **part number**, so that your order is processed accurately and promptly.

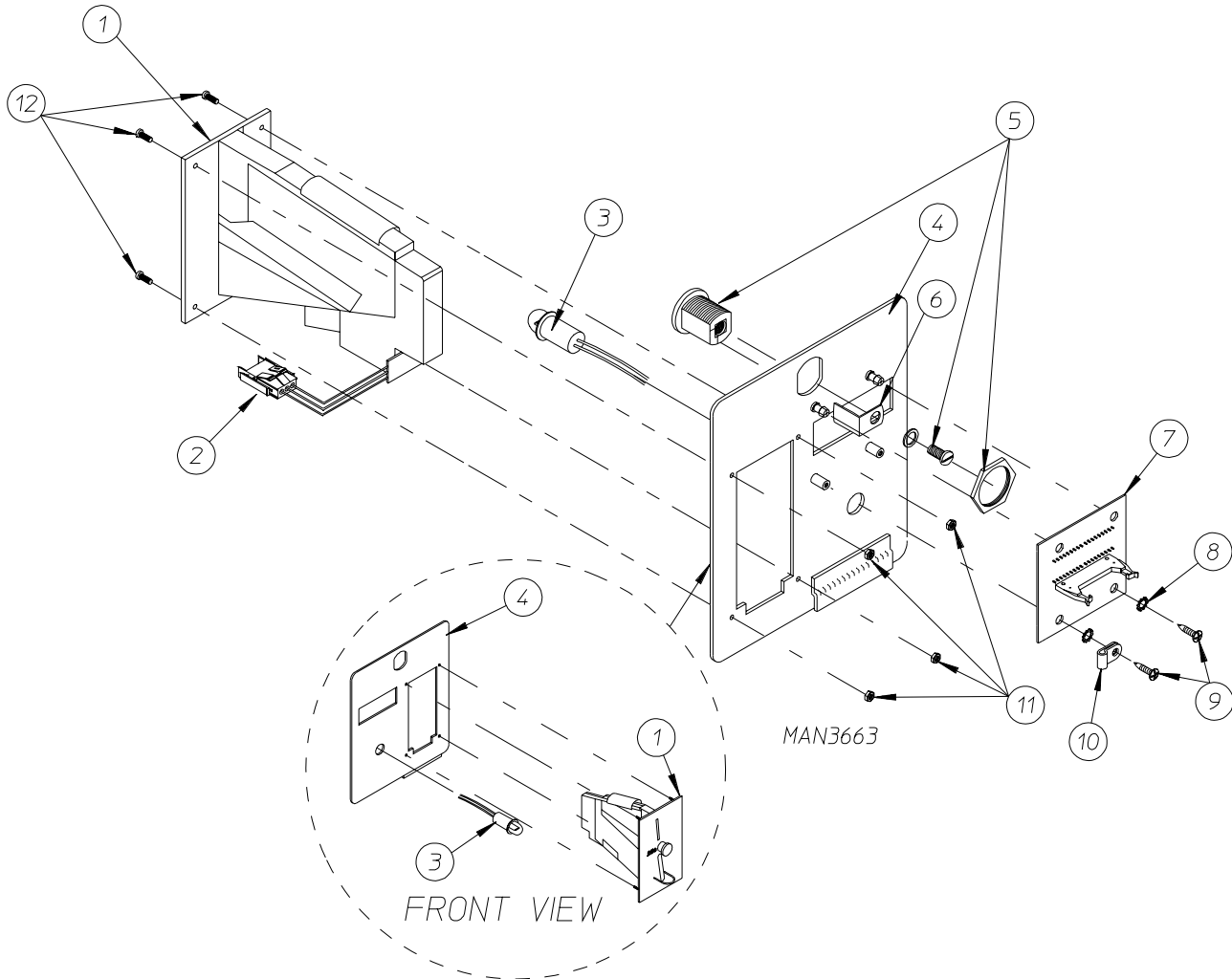
The illustrations on the following pages may not depict your particular dryer exactly. The illustrations are a composite of the various dryer models. Be sure to check the descriptions of the parts thoroughly before ordering.

“IMPORTANT NOTE TO PURCHASER”

Information **must be** obtained from your local gas supplier on the instructions to be followed if the user smells gas. These instructions **must be** posted in a prominent location near the dryer.

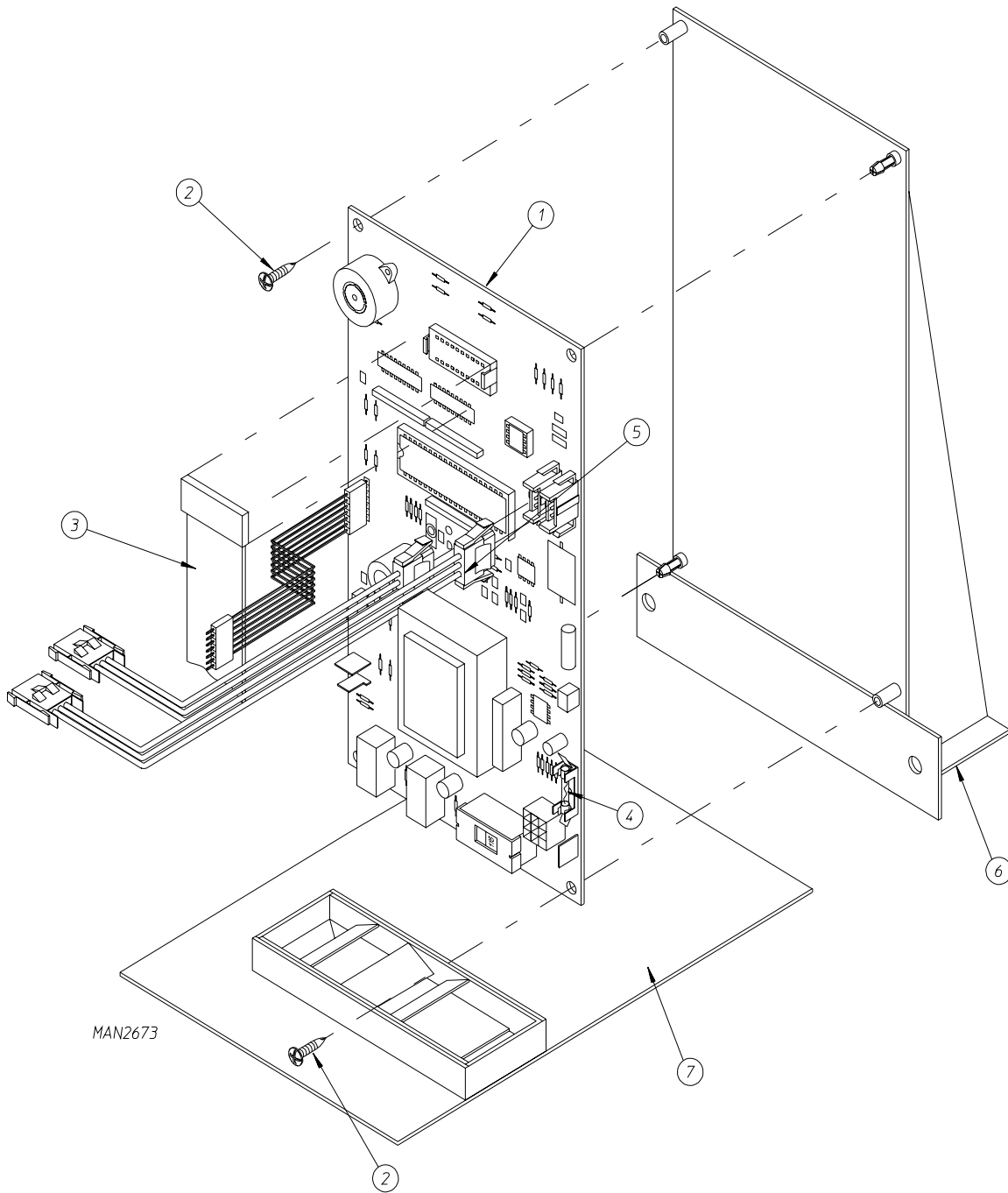
Table of Contents

Coin Panel Assembly	2
Microprocessor 2-Piece (Computer) Panel/Coin Chute Assembly	3
Front Panel Assembly	4
Main Door “Steel” Assembly	5
Main Door Switch Assembly	6
Lint Drawer/Basket Assembly	7
Coin Box /Vault Assembly (Left and Right)	8
Lint Drawer Switch Assembly	9
Microprocessor Temperature Sensor Bracket Assembly	10
Basket (Tumbler) and Support Assemblies	11
Basket (Tumbler) Bearing Mount Assembly	12, 13
Burner Train Assembly	14, 15
Burner Hi-Limit/Hood Assembly	16
Sail Switch Assembly	17
Drive Motor Mount Assembly	
For 60 Hz Models Only	18, 19
Fan (Impellor)/Idler Bearing Assemblies	
For 60 Hz Models Only	20, 21
Drive and Idler Belts/Pulleys	
For 60 Hz Models Only	22
Exhaust Duct Assembly	23
Rear Electrical Panel Assembly	24, 25
Rear Guard Assemblies	26
Additional Parts Available	27

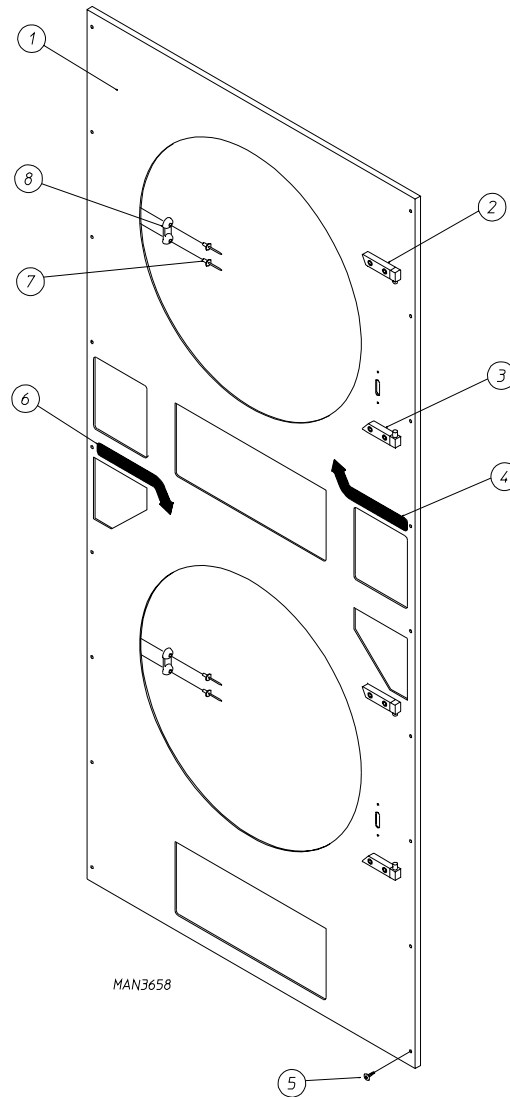


Illus. No.	Part No.	Qty.	Description
1	-----*	1	Mueller Microprocessor Coin Acceptor Assembly Less Optic Switch and Switch Mounting Bracket
2	137056	1	Microprocessor Optic Switch
	353269	1	Optic Switch Mounting Bracket...Not Illustrated
3	123005	1	Indicator Lamp - 24 VAC
4	881836	1	Coin Panel ONLY
5	-----*	1	Lock ONLY
6	353270	1	Lock Cam ONLY
7	137098	1	Display Board
8	153010	2	#6 Star Washer
9	150005	2	#6-32 x 1/4" Phillips Round Head Machine Screw
10	120906	1	1/8" Wire Clip
11	-----*	4	Nut
12	-----*	4	Stud

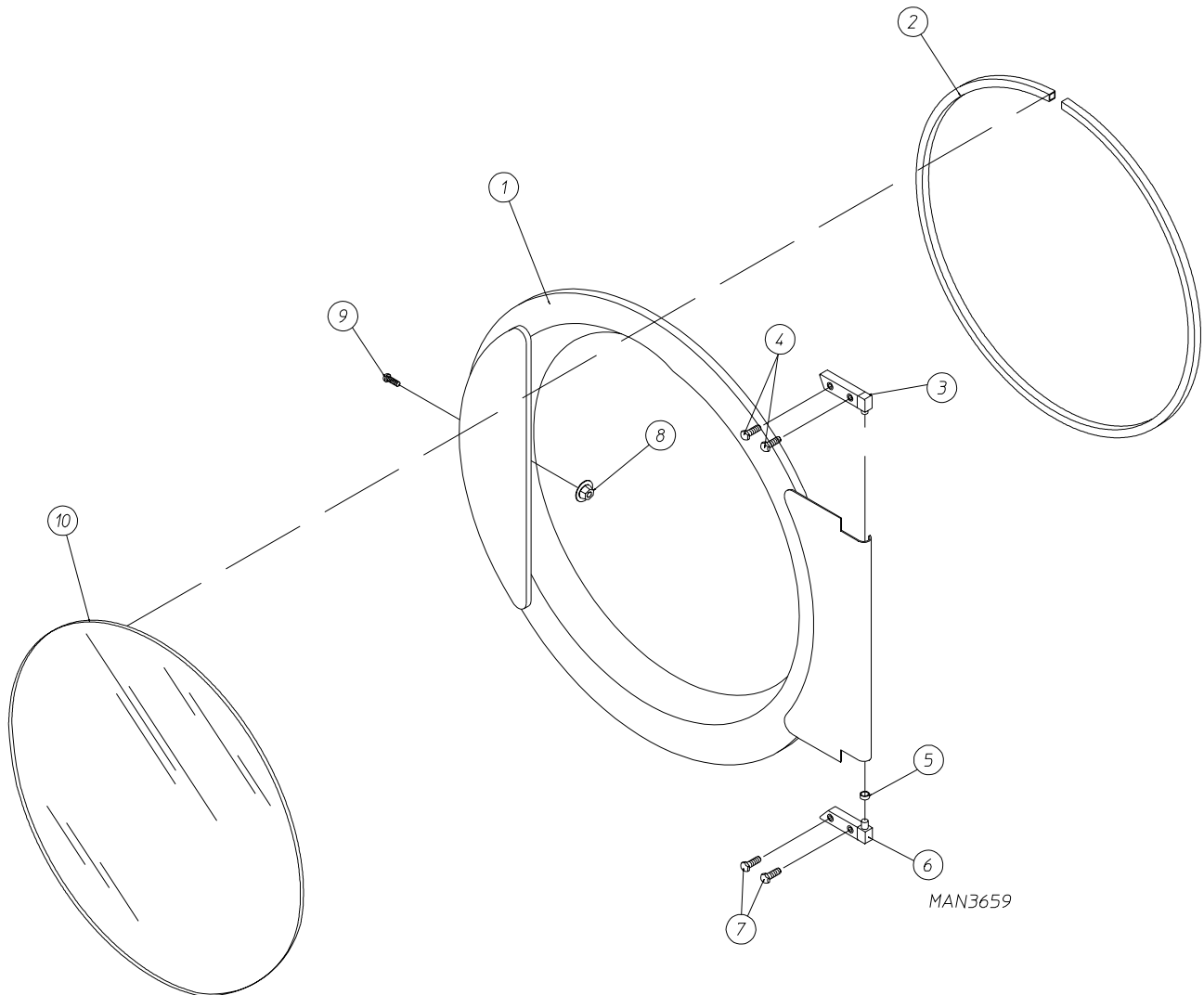
* Indicates not available from **ADC** and **must be** purchased elsewhere.



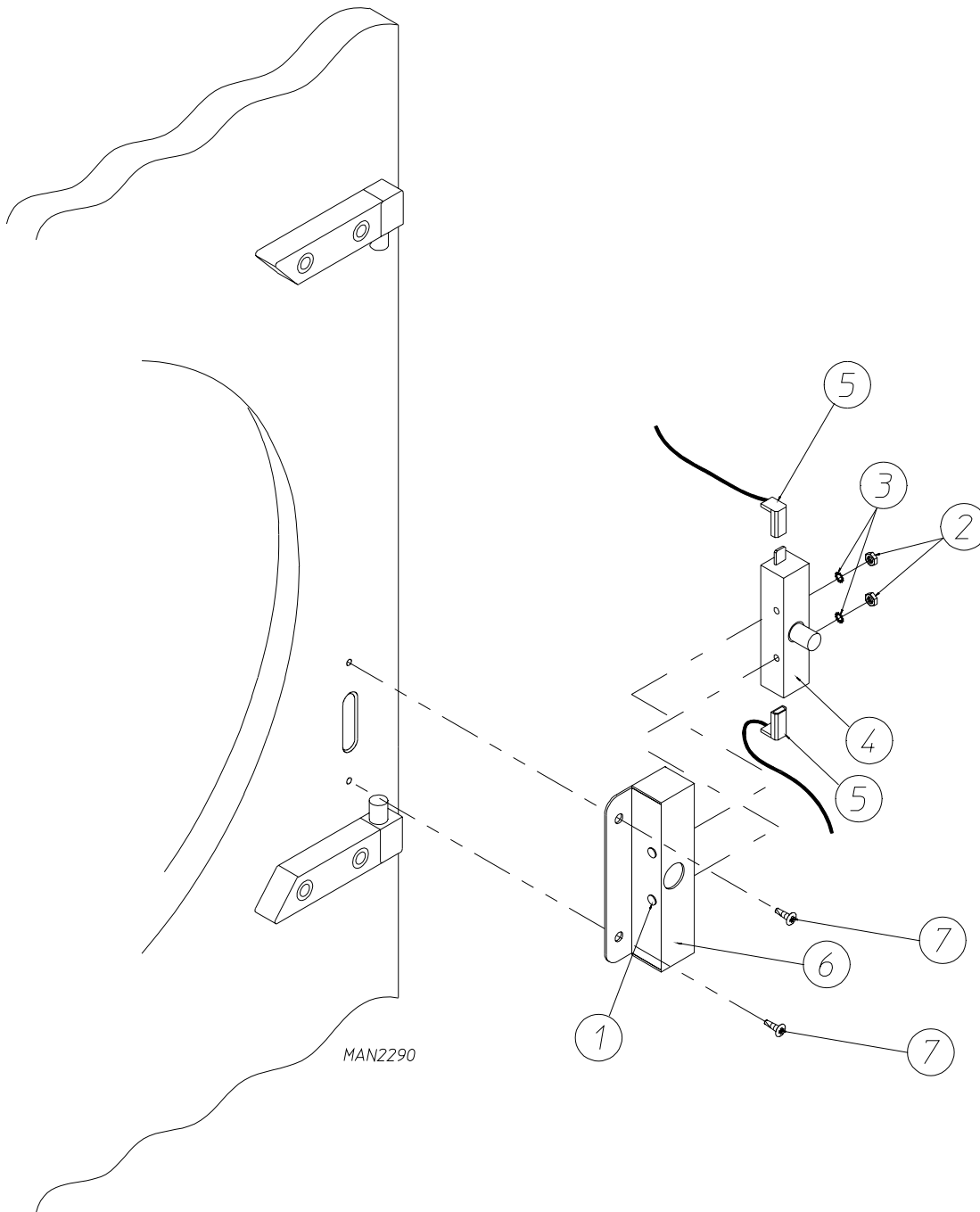
<u>Illus. No.</u>	<u>Part No.</u>	<u>Qty.</u>	<u>Description</u>
1	137106	1	Computer Board Phase 5
2	150005	2	#6-32 x 1/4" Phillips Round Head Machine Screw
3	137104	1	Ribbon Cable Assembly (Display)
4	136048	1	1/8-amp (Slo-Blo) Fuse
5	853071	1	Optic Switch Harness
6	853171	1	Computer Panel
	853170	1	Computer Panel Mounting Plate...Not Illustrated
7	881830	1	Left Coin Chute Assembly
	881484	1	Right Coin Chute Assembly



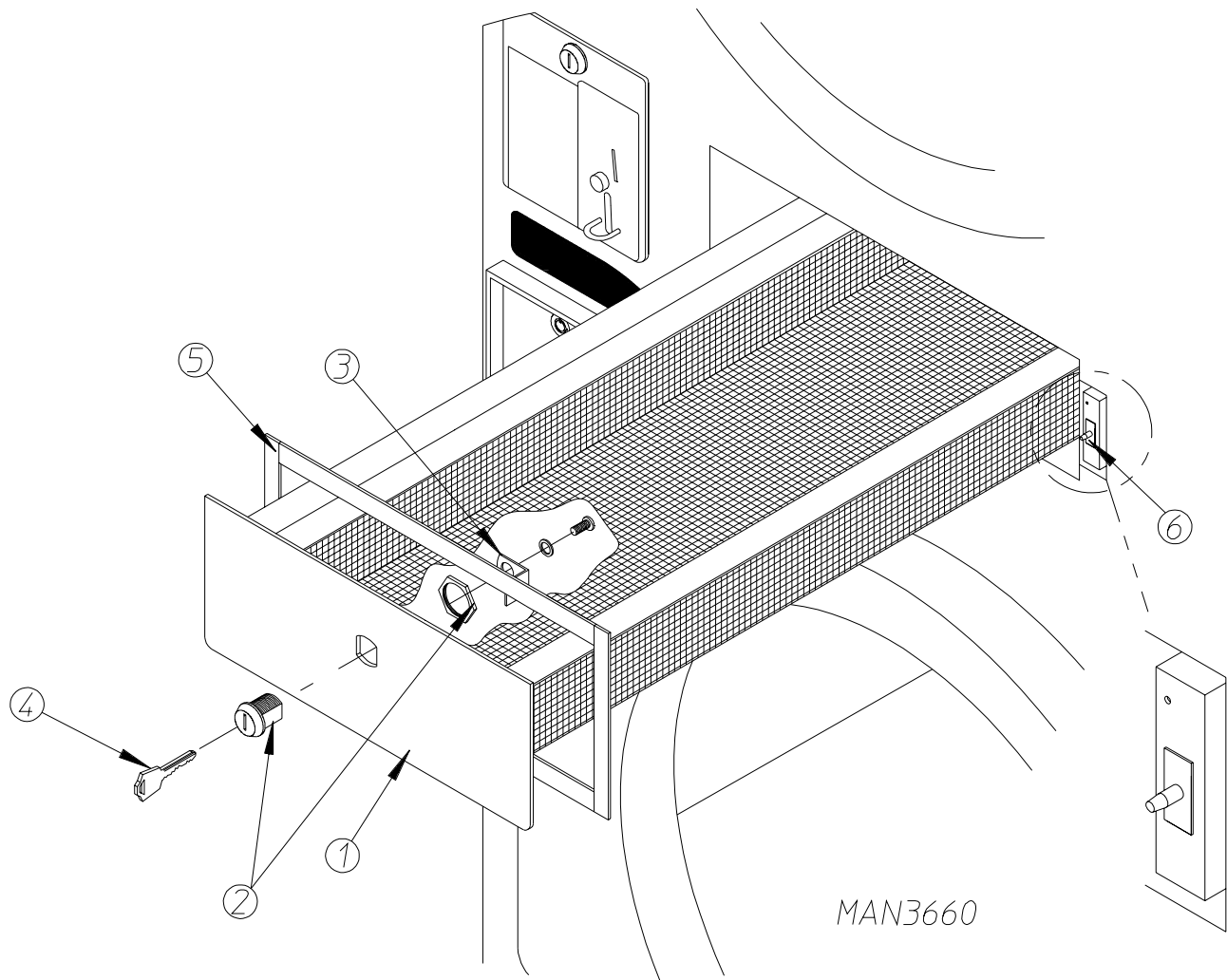
<u>Illus. No.</u>	<u>Part No.</u>	<u>Qty.</u>	<u>Description</u>
1	881833	1	Almond Right-Hand Front Panel Assembly (includes illus. nos. 1, 7, and 8)
	881834	1	Blue Right-Hand Front Panel Assembly (includes illus. nos. 1, 7, and 8)
	881835	1	Red Right-Hand Front Panel Assembly (includes illus. nos. 1, 7, and 8)
	881933	1	White Right-Hand Front Panel Assembly (includes illus. nos. 1, 7, and 8)
2	-----	1	Top Hinge Block Assembly (refer to Main Door "Steel" Assembly on page 5)
3	-----	1	Bottom Hinge Block Assembly (refer to Main Door "Steel" Assembly on page 5)
4	114054	1	Arrow Label
5	150309	24	#10-16 x 1/2" Phillips Hex Head TEK Crimptite Screw
6	114054	1	Arrow Label
7	154215	4	5/32" Pop Rivet
8	170330	2	Friction Door Catch



<u>Illus. No.</u>	<u>Part No.</u>	<u>Qty.</u>	<u>Description</u>
1	881832	1	Black Main Door Assembly Complete (includes illus. nos. 1, 2, and 8 through 10)
2	102349	1	Door Extruded Gasket
	170730	1	Clear Gasket Adhesive (10.3 oz. cartridge)
3	881152	1	Black Top Hinge Block Assembly (includes illus. nos. 3 and 4)
4	150445	2	1/4-20 x 3/4" Black Cap Head Setscrew
5	153031	1	1/4" Nylon Washer
6	881151	1	Black Bottom Hinge Block Assembly (includes illus. nos. 5 through 7)
7	150445	2	1/4-20 x 3/4" Black Cap Head Setscrew
8	151010	1	#10-32 Black Hex Acorn Nut
9	150120	1	Door Latch Screw
10	102211	1	20-7/16" Door Glass
	170730	1	Clear Glass Adhesive (10.3 oz. cartridge)

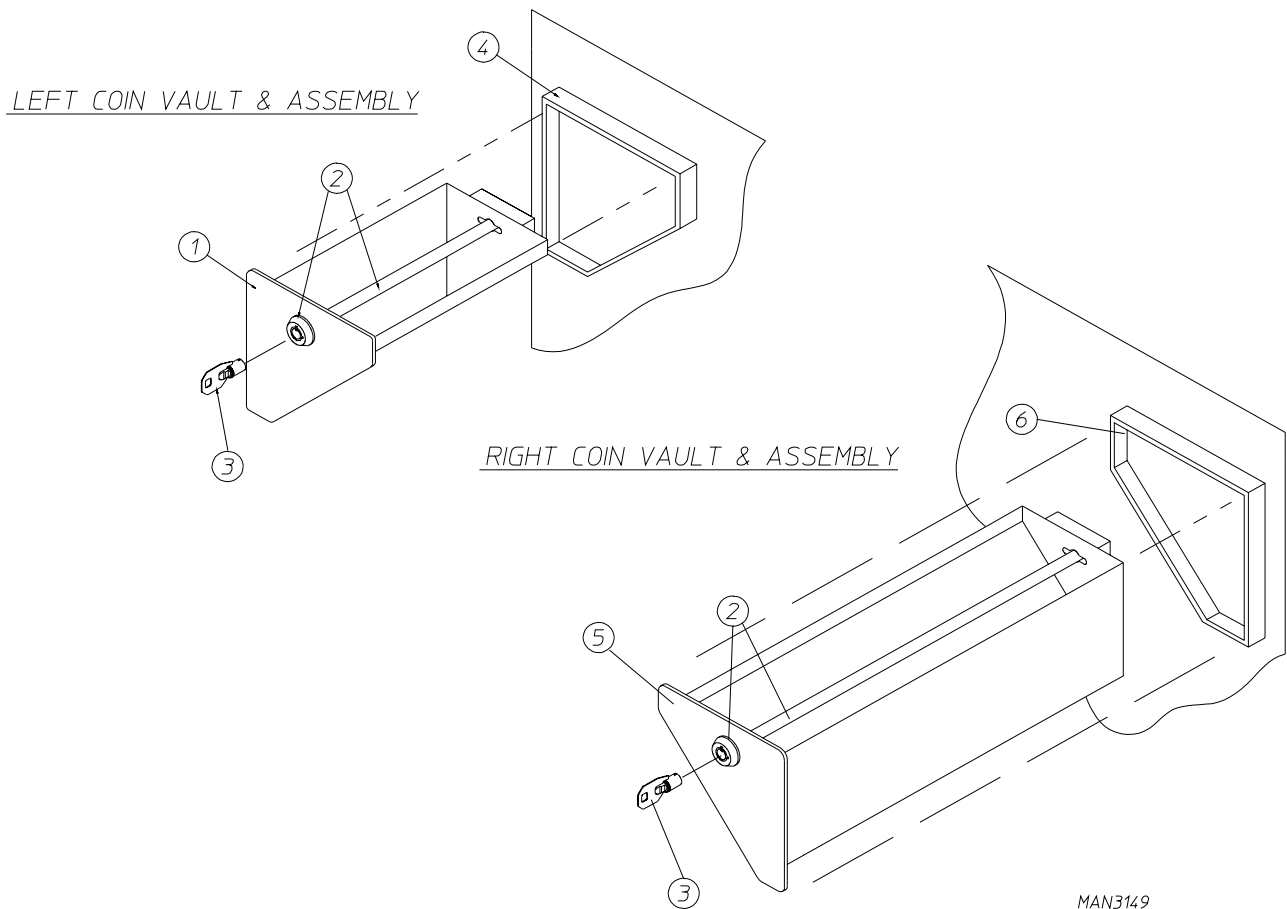


<u>Illus. No.</u>	<u>Part No.</u>	<u>Qty.</u>	<u>Description</u>
1	153566	2	#6-32 x 7/8" Clinch Stud
2	152013	2	#6-32 Hex Nut
3	153010	2	#6 Star Washer
4	137005	1	Door Switch
5	122636	2	Flag Terminal
6	881211	1	Black Main Door Switch Housing ONLY
	881153	1	Black Main Door Switch Housing Complete (includes illus. nos. 1 through 4 and 6)
7	150301	2	#8-18 x 7/16" Phillips Pan Head TEK Screw



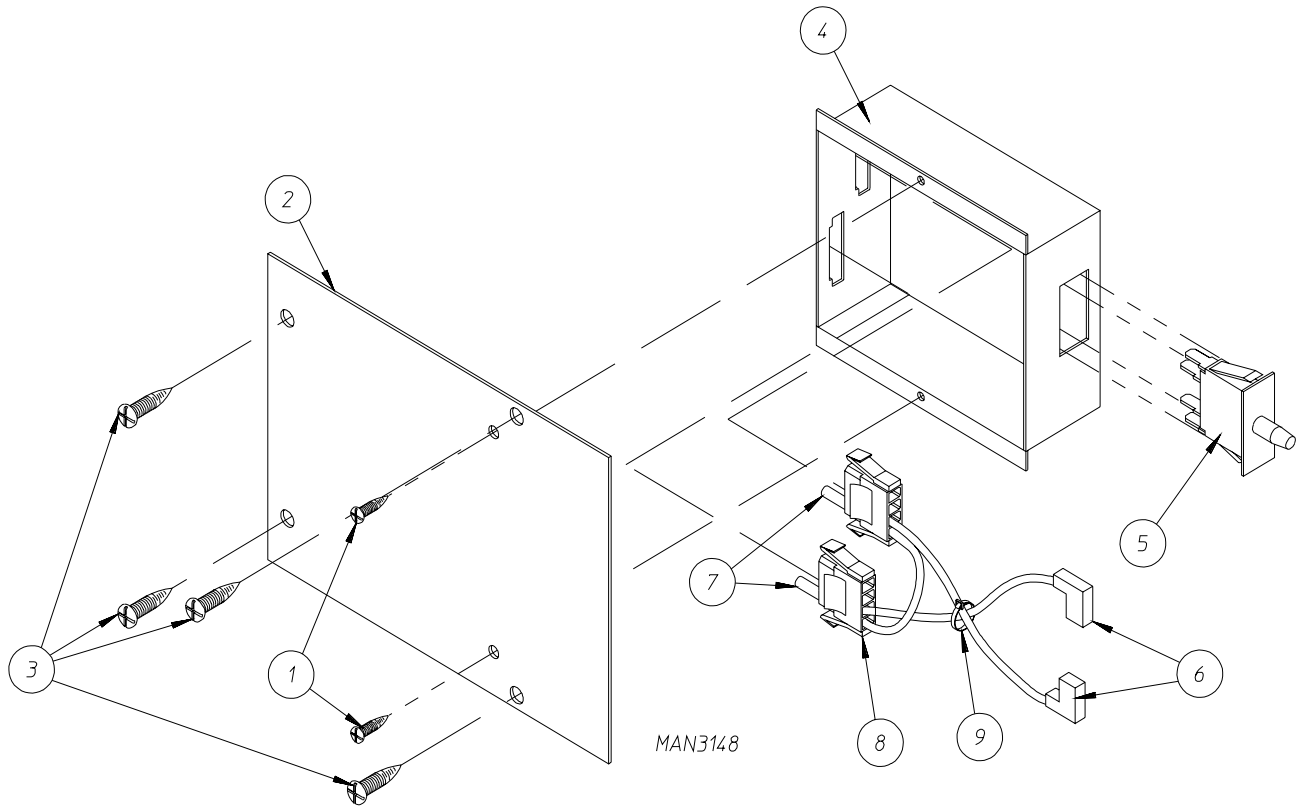
MAN3660

<u>Illus. No.</u>	<u>Part No.</u>	<u>Qty.</u>	<u>Description</u>
1	881831	1	Black Lint Drawer Assembly Less Lock and Hardware (includes illus. nos. 1 and 5)
2	160015	1	Lock
3	160031	1	Lock Cam ONLY
4	160104	1	Lock Key
5	117604	4	Noise Suppression Tape (sold by the foot)
6	-----	1	Lint Drawer Switch (refer to Lint Drawer Switch Assembly on page 9)

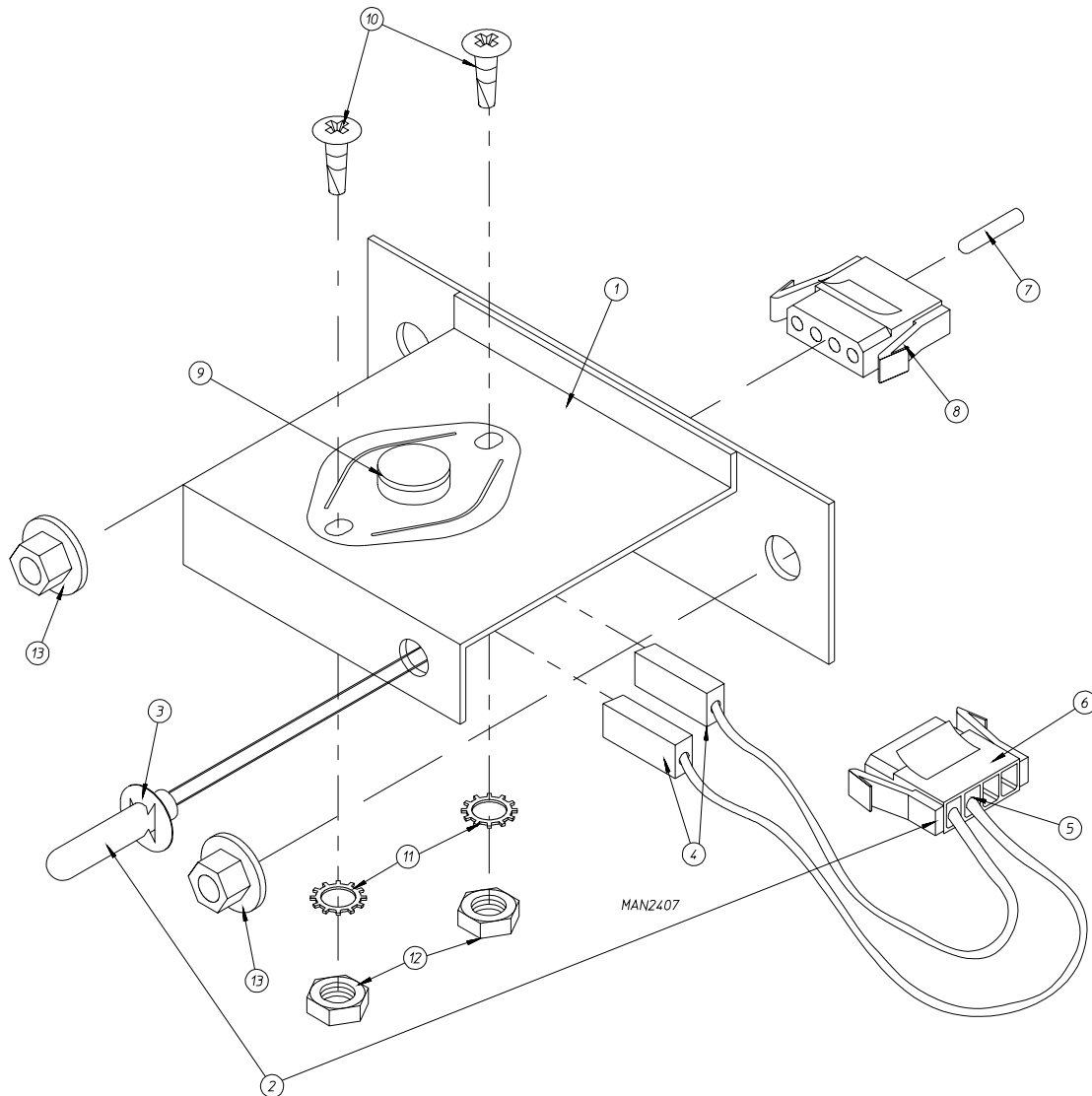


<u>Illus. No.</u>	<u>Part No.</u>	<u>Qty.</u>	<u>Description</u>
1	881174	1	Black Left/Right Coin Box Faceplate ONLY
	881476	1	Left Coin Box with Black Faceplate ONLY (less lock)
2	881474	1	Coin Box Lock Kit (includes two [2] locks with keys "keyed alike")
3*	160136	1	Coin Box Lock Keys ONLY
4	881477	1	Black Left Coin Vault ONLY
5	881174	1	Black Left/Right Coin Box Faceplate ONLY
	881167	1	Right Coin Box with Black Faceplate ONLY (less lock)
6	881179	1	Black Right Coin Vault ONLY

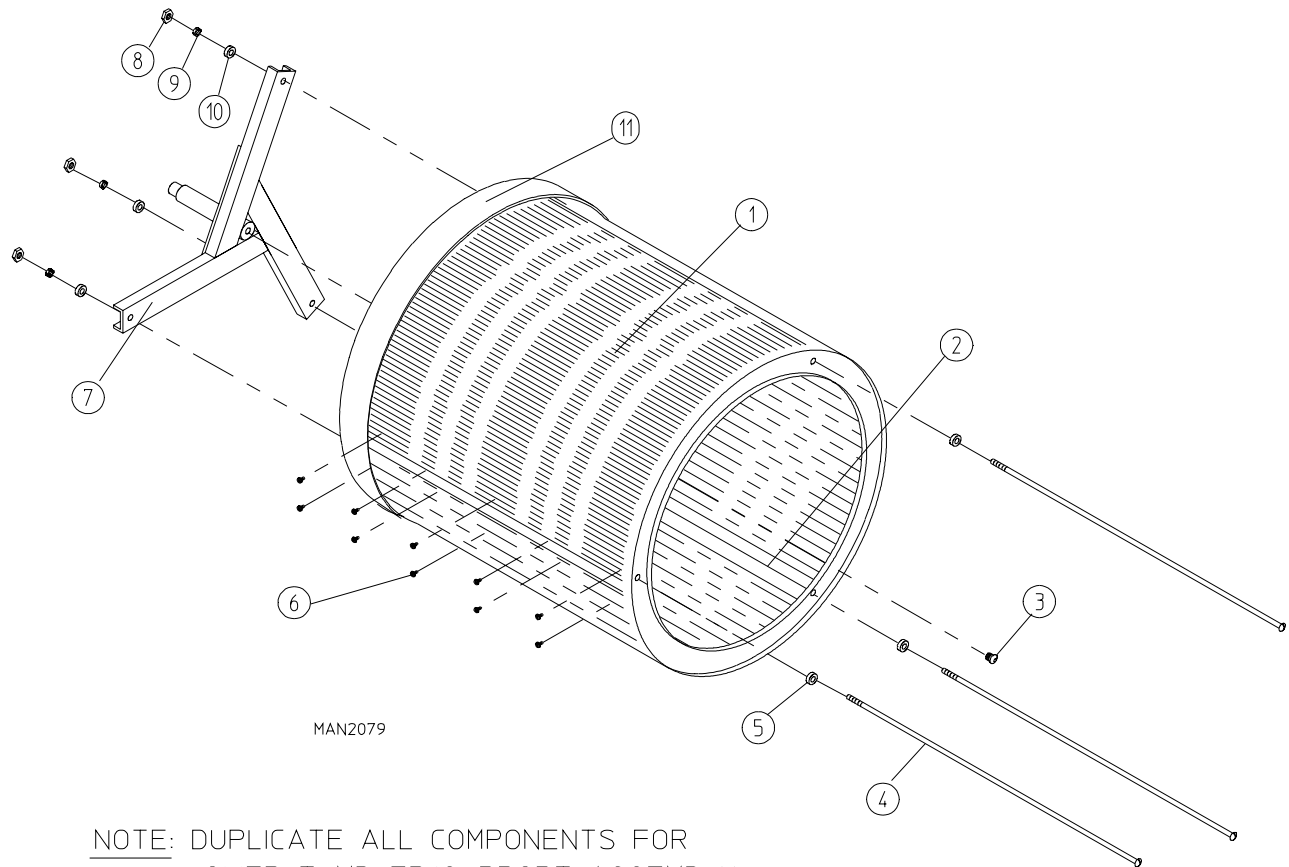
* Specify key number when ordering.



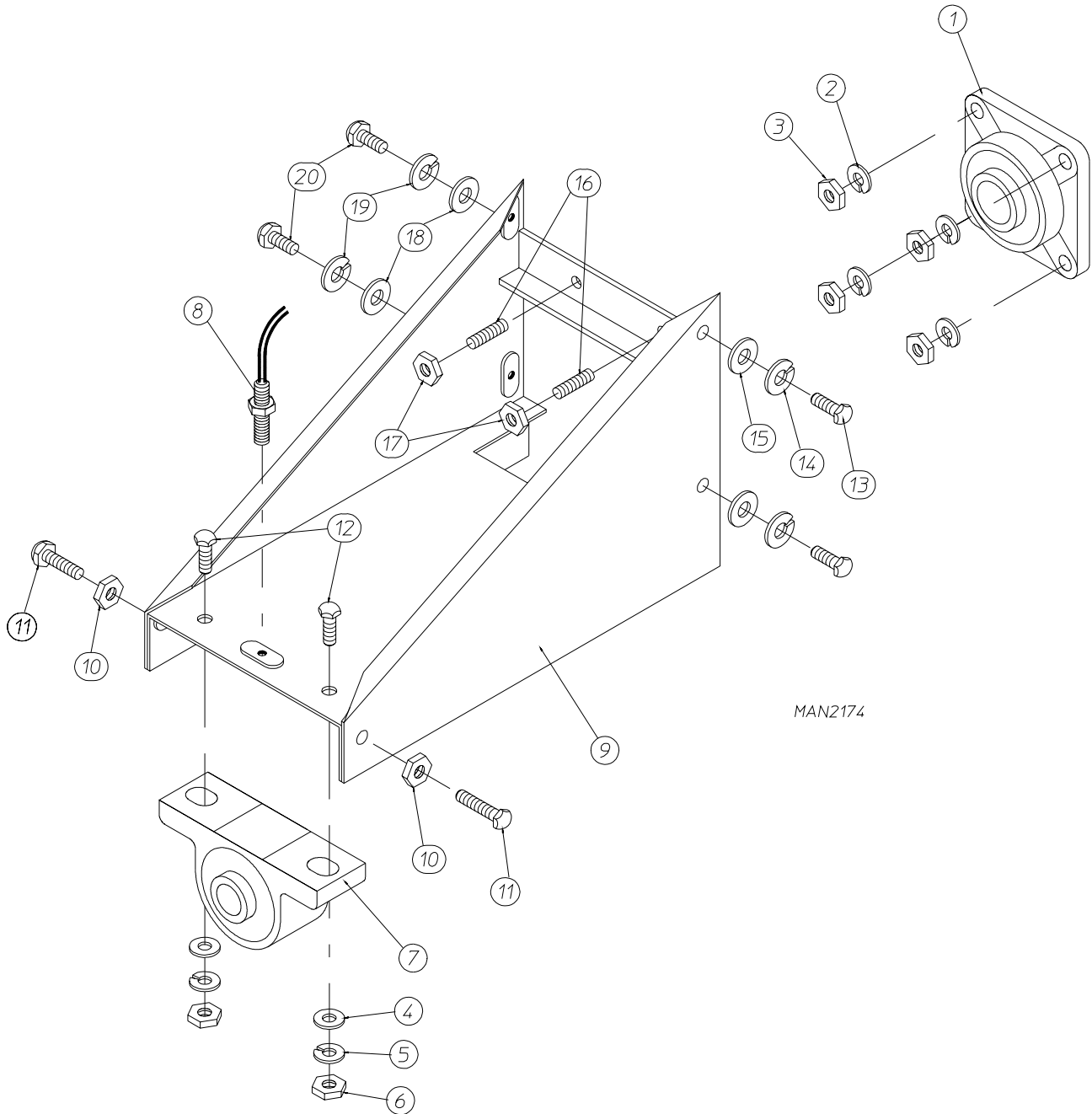
<u>Illus. No.</u>	<u>Part No.</u>	<u>Qty.</u>	<u>Description</u>
1	150301	2	#8-18 x 7/16" Phillips Pan Head TEK Screw
2	853241	1	Lint Drawer Switch Panel
3	150301	4	#8-18 x 7/16" Phillips Pan Head TEK Screw
4	353261	1	Lint Drawer Bracket
	881494	1	Lint Drawer Switch Box Assembly (includes illus. nos. 1, 2, and 4 through 9)
5	122116	1	Lint Drawer Switch
6	122636	2	0.250 Insulated Flag Terminal
7	122701	4	M-N-L (Mate-N-Lock) Socket Terminal
8	122605	2	4-Pin Connector (female)
9	881502	1	Lint Drawer Switch IV Harness



<u>Illus. No.</u>	<u>Part No.</u>	<u>Qty.</u>	<u>Description</u>
1	853021	1	Sensor Bracket ONLY
	881089	1	Microprocessor Temperature Sensor Bracket Assembly Complete (includes illus. nos. 1 through 6 and 9 through 12)
2	880251	1	Microprocessor Sensor Probe Assembly Complete (includes illus. nos. 2 through 6)
3	154007	2	1/4" Push On Fastener
4	121028	2	1/4" Terminal
5	122701	4	Socket Terminal
6	122605	1	4-Pin Connector (female)
7	122700	4	Pin Terminal
8	122604	1	4-Pin Connector (male)
9	130112	1	225° Thermostat
10	150005	2	#6-32 x 1/4" Phillips Round Head Machine Screw
11	153010	2	#6 Star Washer
12	152013	2	#6-32 Hex Nut
13	152014	2	1/4-20 Free Spin Wash Nut



<u>Illus. No.</u>	<u>Part No.</u>	<u>Qty.</u>	<u>Description</u>
1	881838	1	Stainless Steel Basket (tumbler) and Support Assembly Complete with Felt Collar (includes illus. nos. 1 through 11)
	881839	1	Stainless Steel Basket (tumbler) ONLY with Felt Collar
2	301433	2	Stainless Steel Short Basket (tumbler) Rib ONLY
	301434	1	Stainless Steel Tall Basket (tumbler) Rib ONLY
3	150518	1	5/16-18 x 3/8" Socket Button Head Screw
4	882050	3	5/16-18 x 31" Tie Rod
5	153001	3	5/16" Flat Washer
6	154210	30	5/32" x 3/16" Pop Rivet
7	800741	1	Basket (tumbler) Support ONLY
8	152004	3	5/16-18 Hex Nut
9	153002	3	5/16" Lock Washer
10	153001	3	5/16" Flat Washer
11	116003	1	Felt Collar ONLY
	401010	1	#847 Adhesive for Felt Collar (5 oz. tube)...Not Illustrated

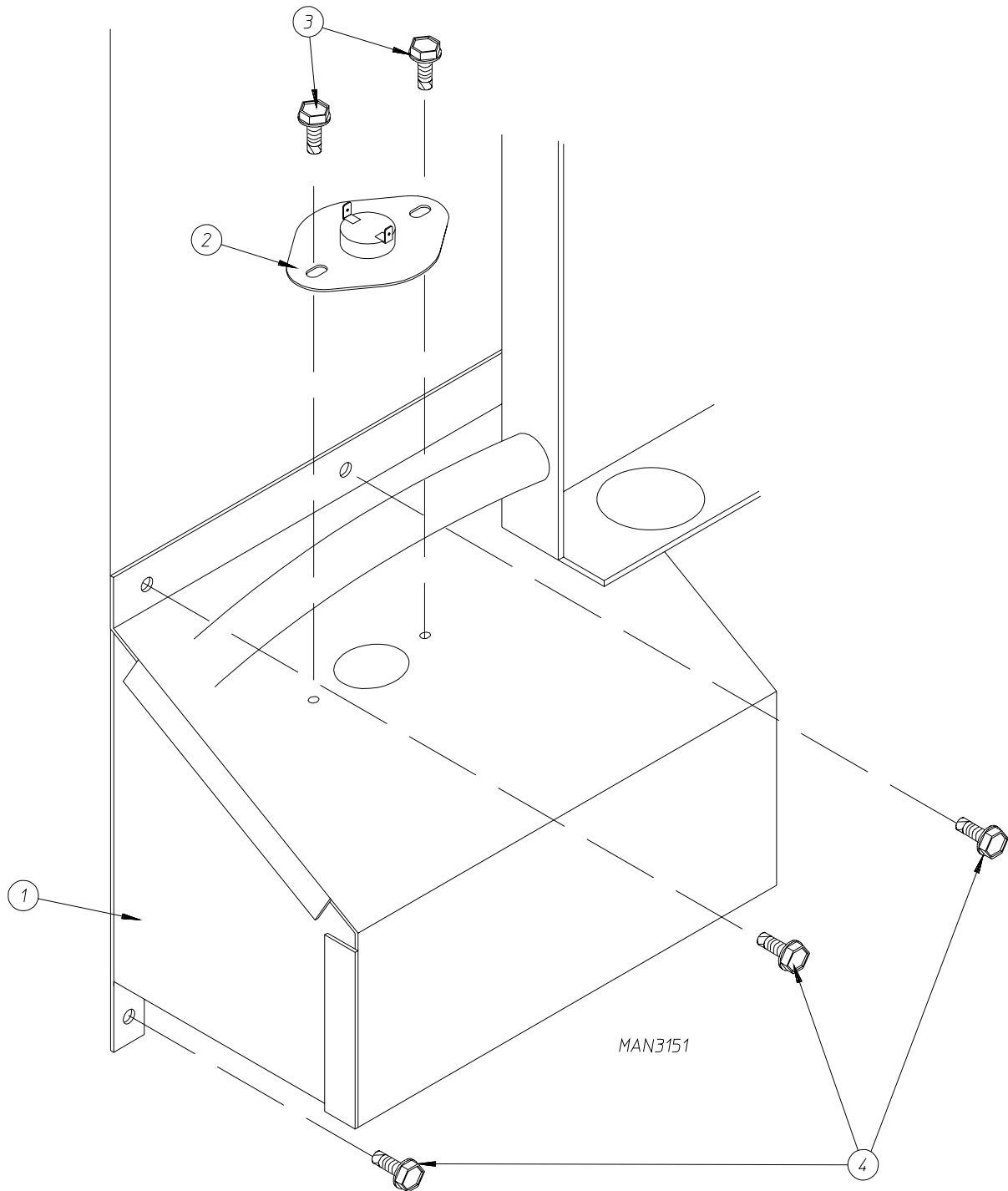


<u>Illus. No.</u>	<u>Part No.</u>	<u>Qty.</u>	<u>Description</u>
1	880203	1	1-3/8" Flange Bearing
	880938	1	Cone Point Setscrew Kit...Not Illustrated
2	153005	4	3/8" Lock Washer
3	152005	4	3/8-16 Hex Nut
4	153004	2	3/8" Flat Washer
5	153005	2	3/8" Lock Washer
6	152005	2	3/8-16 Hex Nut
7	880779	1	1-3/8" Pillow Block Bearing with Rotational Sensor Magnet
	880938	1	Cone Point Setscrew Kit...Not Illustrated
8	824807	1	Rotational Sensor Magnetic Switch Assembly
9	853040	1	Basket (tumbler) Bearing Support ONLY
10	152004	2	5/16-18 Hex Nut
11	150621	2	5/16-18 x 1-1/2" Hex Head Machine Bolt
12	150600	2	3/8-16 x 1-1/2" Hex Head Machine Bolt
13	150501	2	5/16-18 x 3/4" Hex Head Machine Bolt
14	153002	2	5/16" Lock Washer
15	153001	2	5/16" Flat Washer
16	150610	2	5/16-18 x 1-1/2" Allen Setscrew
17	152004	2	5/16-18 Hex Nut
18	153001	2	5/16" Flat Washer
19	153002	2	5/16" Lock Washer
20	150501	2	5/16-18 x 3/4" Hex Head Machine Bolt

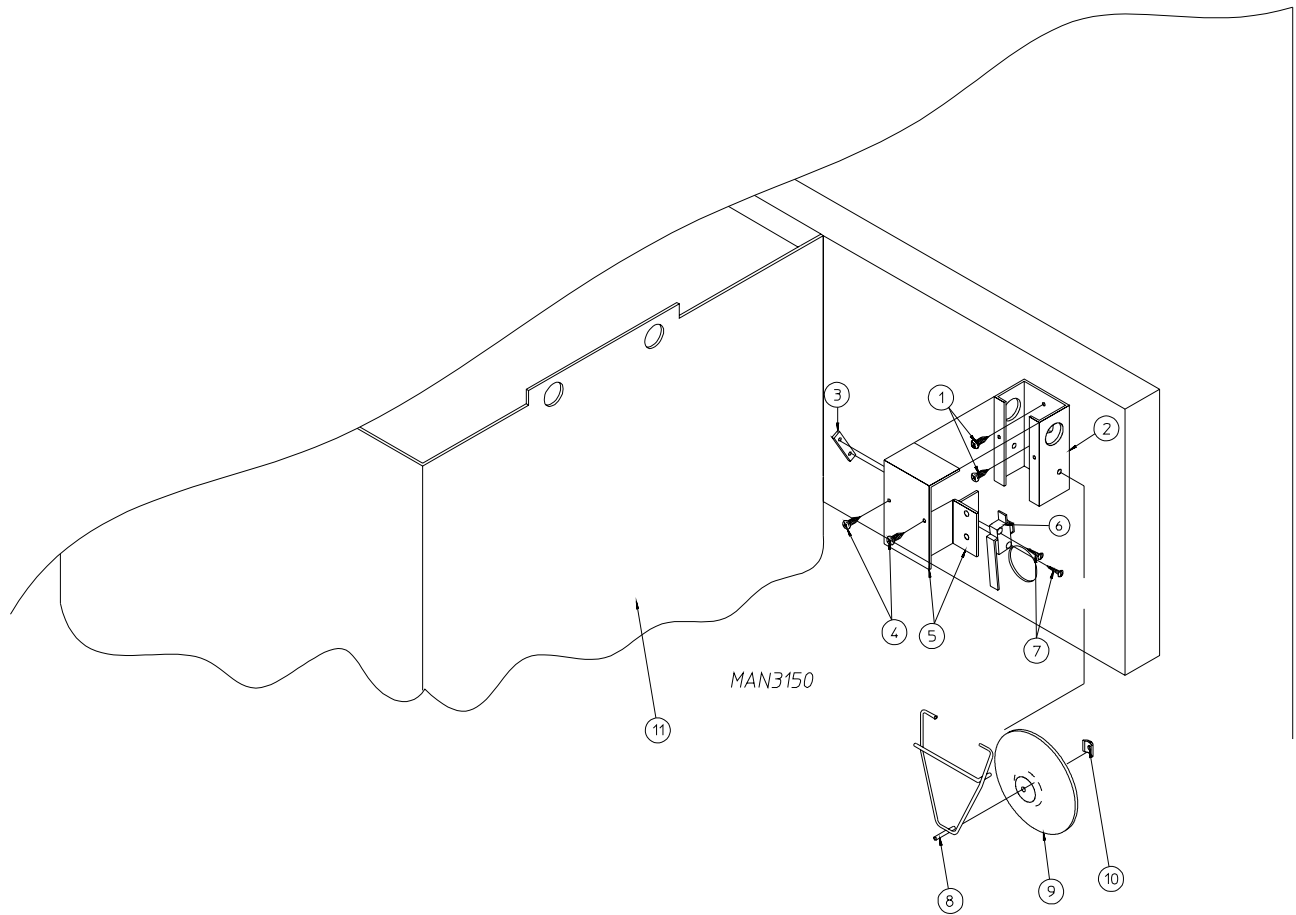
<u>Illus. No.</u>	<u>Part No.</u>	<u>Qty.</u>	<u>Description</u>
1*	881470	1	ADG-531HS Liquid Propane (L.P.) Gas Burner Assembly Complete Less Orifice (includes illus. nos. 1 through 12 and 14 through 20)
	881469	1	ADG-531HS Natural Gas Burner Assembly Complete Less Orifice (includes illus. nos. 1 through 12 and 14 through 20)
2	142502	1	1/2" x 3/4" Street Elbow
3	881372	1	1/2" F.P.T. Straight Shutoff with Tailpiece
4	880960	1	1/2" 24 VAC Liquid Propane (L.P. gas) Gas Valve
	128927	1	1/2" 24 VAC Redundant (natural gas) Gas Valve
5	318713	1	Notched Pipe Bracket
6	141211	1	1/2" Single Port Manifold
7	150300	2	#10-16 x 1/2" Hex Washer TEK Screw
8	353222	1	Hot Surface Ignition (HSI) Manifold Pipe Bracket
9	318009	1	Burner Tube Bracket
10	151001	6	#8-32 Pal Nut
11	141131	1	Upshot Burner Tube and Spreader
12	353099	1	Burner Tube Angle Bracket
13	150309	2	#10-16 x 1/2" Hex Head TEK Crimptite Screw
14	-----	1	Burner Spreader - Not Available
15	150002	1	#6-32 x 1" Phillips Round Head Machine Screw
16	881479	1	Hot Surface Ignitor - 24 VAC
17	151000	1	#6-32 Pal Nut
18	128918	1	Flame Probe
19	150315	1	#6 x 3/8" Phillips Pan Head Screw
20	881500	1	Hot Surface Ignition (HSI) Module II
21**	140855	1	#33 Burner Orifice (liquid propane [L.P.] gas) ONLY
	140836	1	#10 Burner Orifice (natural gas) ONLY
	881795**	1	ADG-531HS Liquid Propane (L.P.) to Natural Gas Conversion Kit (includes parts to convert both top and bottom baskets [tumblers])
	881794**	1	ADG-531HS Natural Gas to Liquid Propane (L.P.) Conversion Kit (includes parts to convert both top and bottom baskets [tumblers])

* Burner orifice *is not included* and **must be** ordered separately.

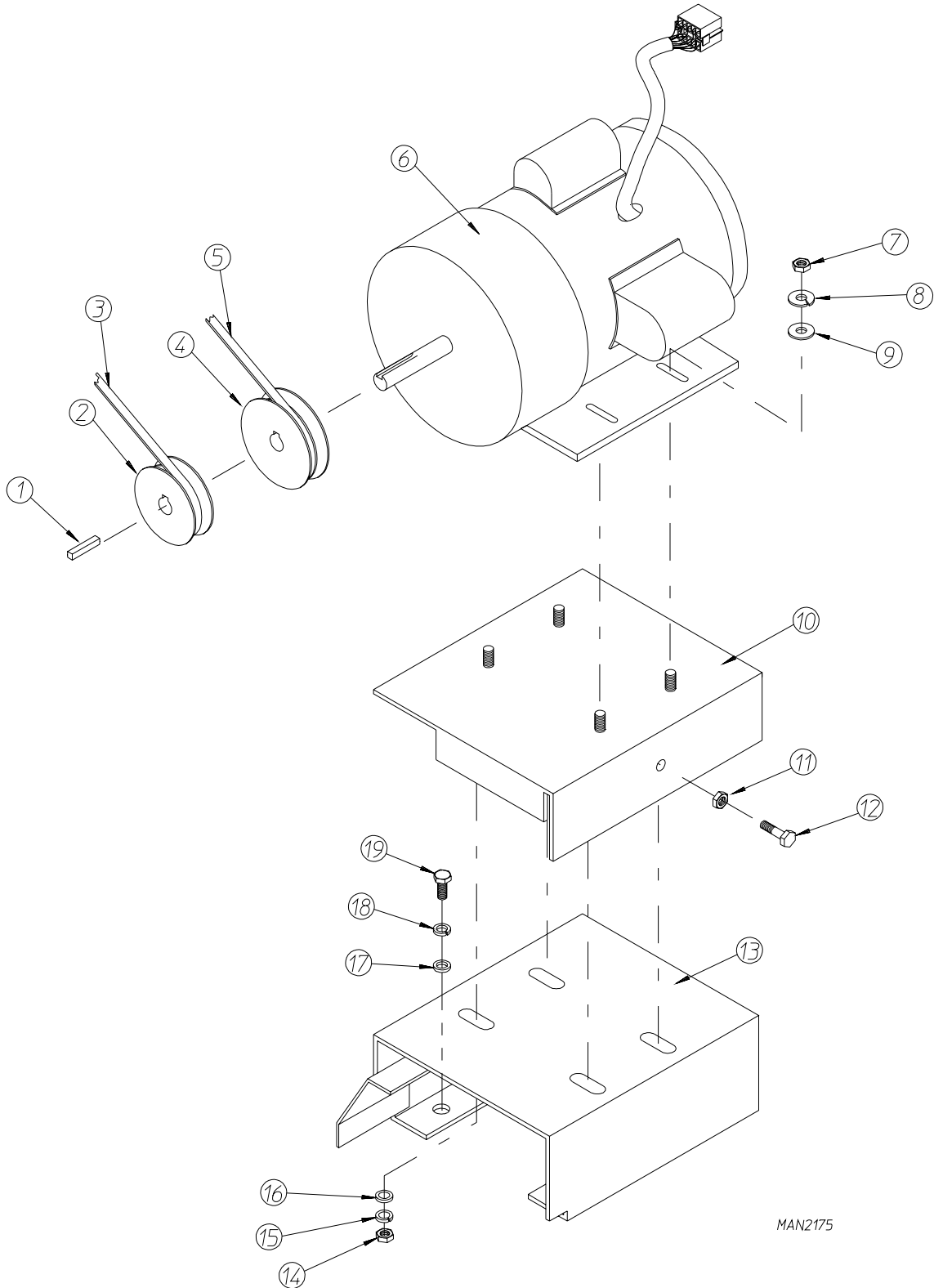
** Consult the factory for elevations over 2,000 feet.



<u>Illus. No.</u>	<u>Part No.</u>	<u>Qty.</u>	<u>Description</u>
1	881223	1	Hot Surface Ignition (HSI) Burner Hood
2	130401	1	330° Hi-Limit
3	150300	2	#10-16 x 1/2" Hex Washer TEK Screw
4	150300	4	#10-16 x 1/2" Hex Washer TEK Screw



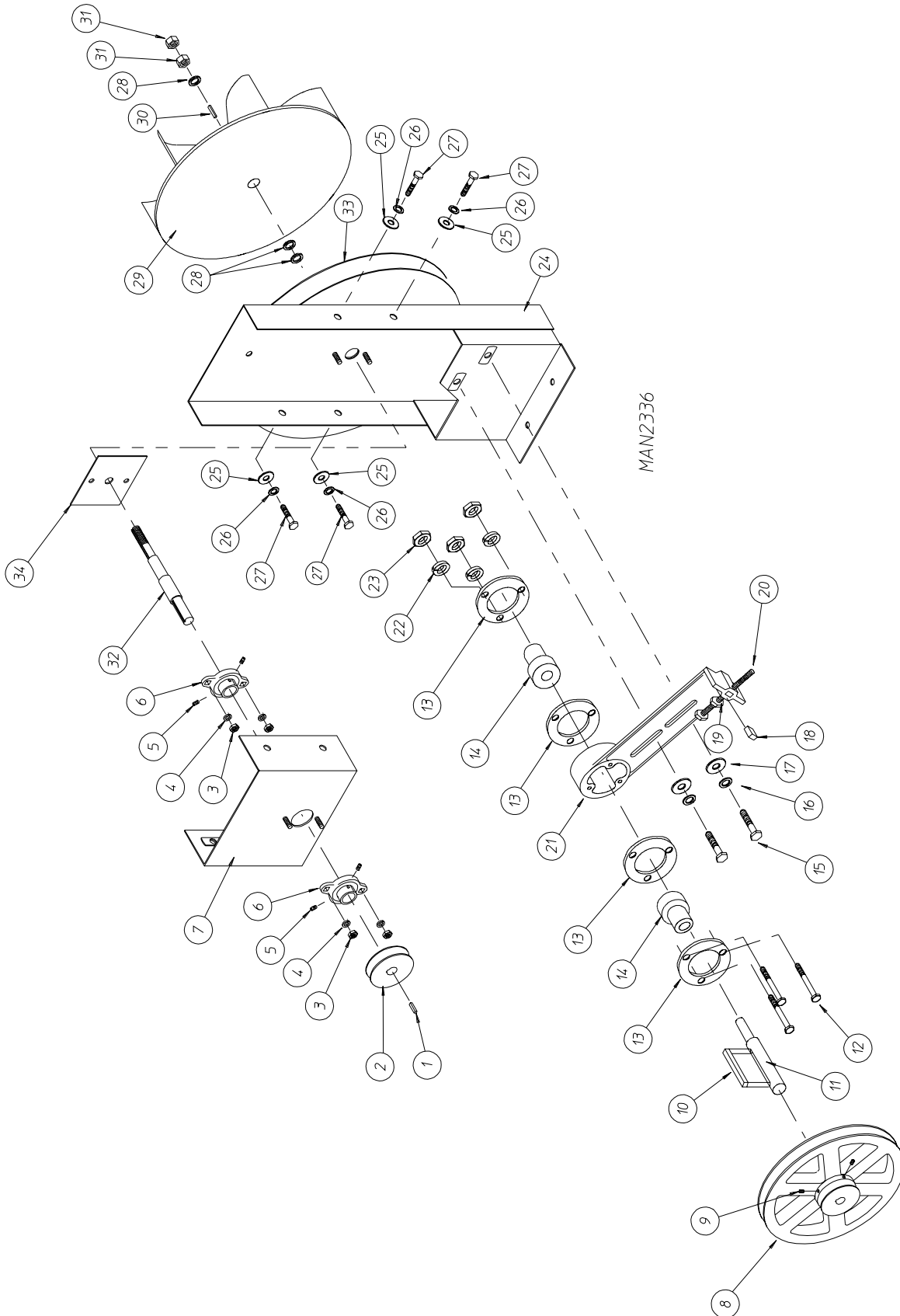
<u>Illus. No.</u>	<u>Part No.</u>	<u>Qty.</u>	<u>Description</u>
1	150301	2	#8-18 x 7/16" Phillips Pan Head TEK Screw
2	802800	1	Sail Switch Box with Cover and Bracket ONLY (includes illus. nos. 4 and 8)
	802801	1	Sail Switch Box Assembly Complete (includes illus. nos. 2 through 10)
3	154004	1	Twin Speed Nut
4	150309	2	#10-16 x 1/2" Hex Head TEK Crimpite Screw
5	319203	1	Sail Switch Box Cover and Bracket ONLY
6	122200	1	Sail Switch ONLY
7	150303	2	#4 x 3/4" Phillips Pan Head "A" Machine Screw
8	105500	1	Sail Switch Actuator Rod
9	319202	1	Sail Switch Damper Flat
10	154002	1	1/8" Push On Fastener
11	853105	1	Burner Box ONLY



MAN2175

For 60 Hz Models ONLY

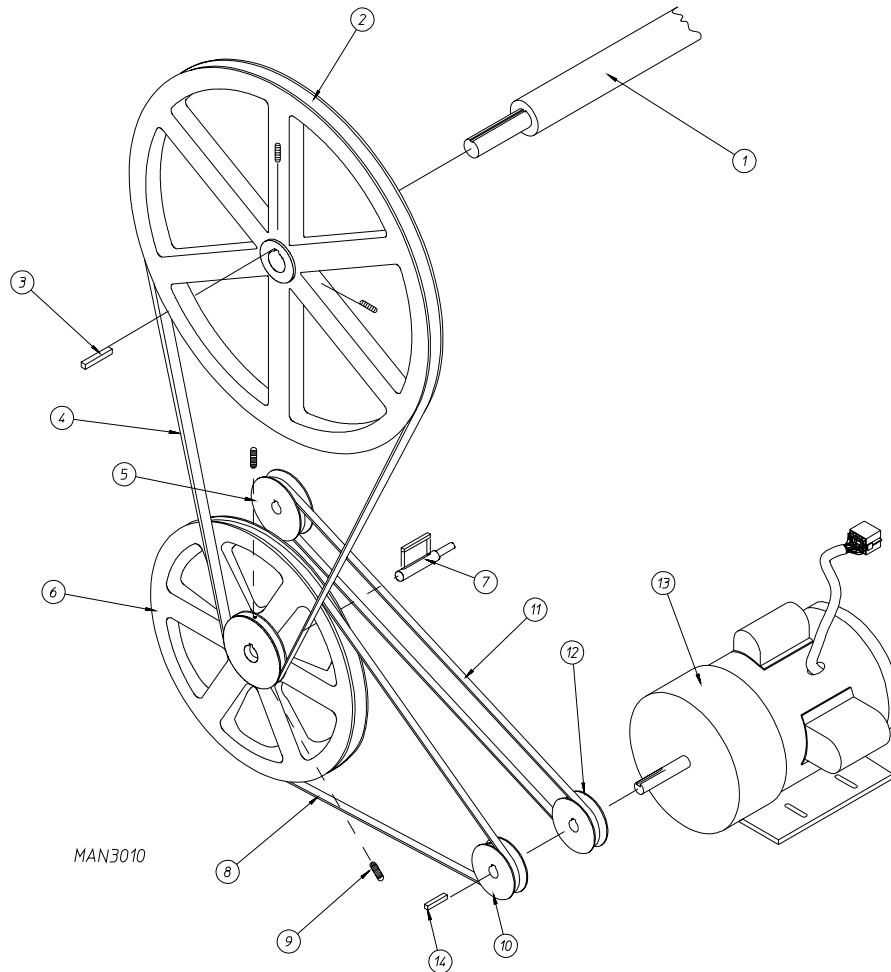
<u>Illus. No.</u>	<u>Part No.</u>	<u>Qty.</u>	<u>Description</u>
1	100718	1	3/16" x 3/16" x 2-1/4" Key
2	101133	1	2-1/4" OD x 5/8" ID Sheave
3	100171	1	4L-440 V-Belt
4	101207	1	3.0 OD x 5/8" ID Pulley
5	100156	1	5L-330 V-Belt
6	181022	1	3/4 hp 100/200v 1 ϕ 50/60 Hz Motor
7	152004	4	5/16-18 Hex Nut
8	153002	4	5/16" Lock Washer
9	153001	4	5/16" Flat Washer
10	853087	1	Motor Mount Slide Assembly ONLY
11	152005	1	3/8-16 Hex Nut
12	150601	1	3/8-16 x 2" Hex Head Tap Bolt
13	853042	1	Motor Base Assembly ONLY
14	152004	4	5/16-18 Hex Nut
15	153002	4	5/16" Lock Washer
16	153001	4	5/16" Flat Washer
17	153001	4	5/16" Flat Washer
18	153002	4	5/16" Lock Washer
19	150501	4	5/16-18 x 3/4" Hex Head Machine Bolt
	881841	1	100/200v 1 ϕ 60 Hz Drive Motor Mount Assembly Complete...Not Illustrated (includes illus. nos. 1, 2, 4, and 6 through 16)
	881840	1	200v 3 ϕ 60 Hz Drive Motor Mount Assembly Complete...Not Illustrated (includes illus. nos. 1, 2, 4, and 6 through 16)



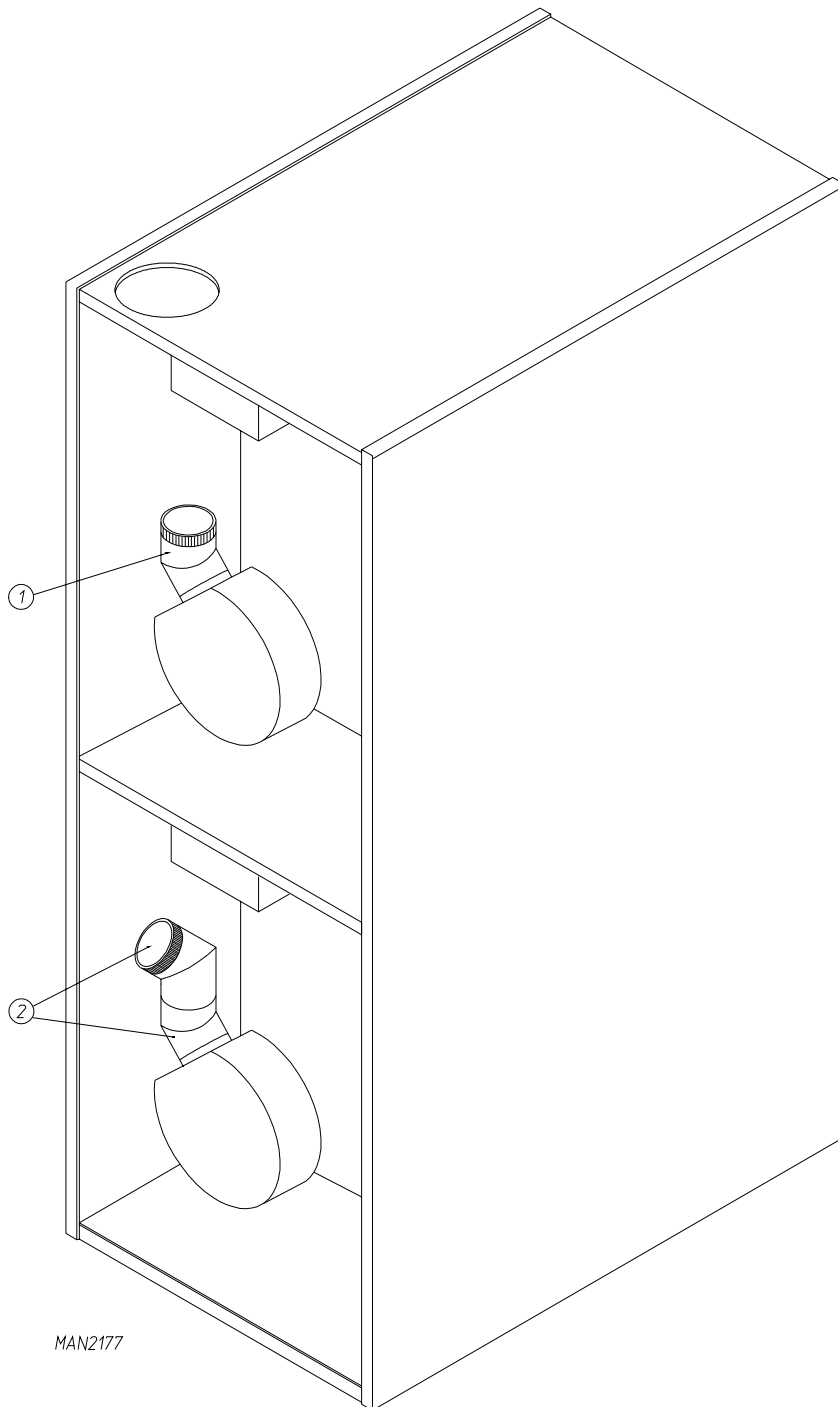
For 60 Hz Models ONLY

<u>Illus. No.</u>	<u>Part No.</u>	<u>Qty.</u>	<u>Description</u>
1	100701	1	3/16" x 3/16" x 1" Key
2	101206	1	2.8 OD x 5/8" ID Pulley
3	152002	4	1/4-20 Hex Nut
4	153007	4	1/4" Lock Washer
5	154324	4	#10-32 x 1/4" Cone Point Setscrew
6	881361	2	5/8" Flange Bearing
7	881225	1	(Fan) Impellor Bearing Mount ONLY
8	101129	1	9" Pulley
9	154301	2	5/16-18 x 1" Allen (cone point) Setscrew
10	100705	1	3/16" x 3/16" x 1-3/8" Key
11	301850	1	Idler Shaft
12	150529	3	1/4-20 x 2-1/4" Carriage Bolt
13	-----	4	Flanges (part of Part No. 100214 bearing)
14	880214	2	5/8" Flange Bearing
15	150617	2	3/8-16 x 1" Hex Head Machine Bolt
16	153005	2	3/8" Lock Washer
17	153004	2	3/8" Flat Washer
18	152020	1	5/16-18 Square Nut
19	152004	1	5/16-18 Hex Nut
20	150509	1	5/16-18 x 3" Hex Head Machine Bolt
21	882776	1	Steel Idler Assembly Complete (includes illus. nos. 10 through 23)
22	153007	3	1/4" Lock Washer
23	152002	3	1/4-20 Hex Nut
24	881226	1	Fan Mount ONLY (includes illus. no. 33)
25	153004	4	3/8" Flat Washer
26	153005	4	3/8" Lock Washer
27	150508	4	3/8-16 x 3/4" Hex Head Machine Bolt
28	153050	3 or 4	1/2" x 1-1/16" Flat Washer
29	100604	1	12.5 Fan (impellor)
30	100723	1	1/8" x 1/8" x 1-3/8" Key
31	152006	2	1/2-20 Left-Hand Jam Nut
32	353111	1	Fan Shaft
33	117604	3	Noise Suppression Tape (sold by the foot)
34	116011	1	3-1/2" x 4" Felt Bearing Seal

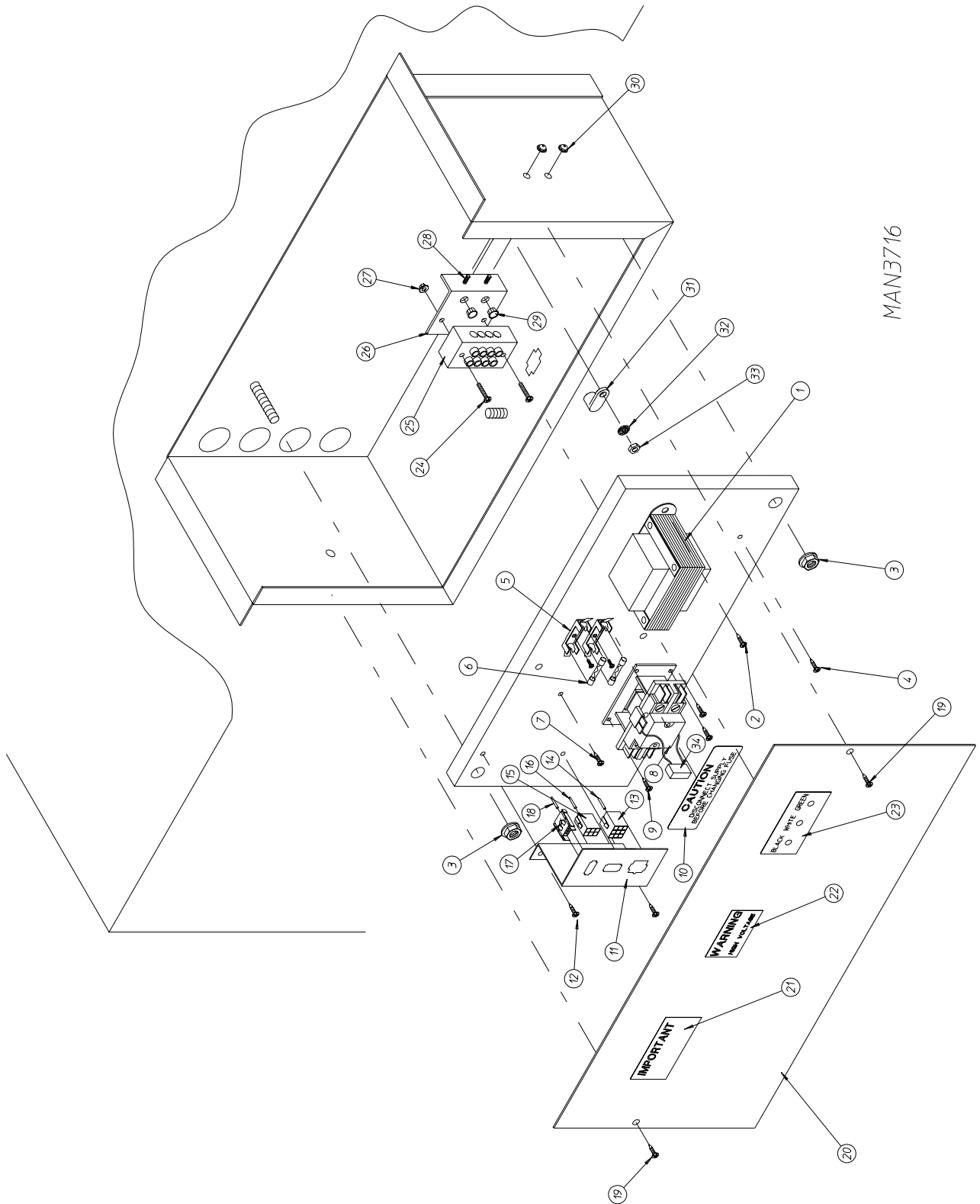
For 60 Hz Models ONLY



Illus. No.	Part No.	Qty.	Description
1	-----	1	Basket (tumbler) Support (refer to Basket [Tumbler] and Support Assemblies on page 11)
2	101100	1	18" Pulley Basket (tumbler)
	154301	2	5/16-18 x 1" Allen (cone point) Setscrew
3	100713	1	1/4" x 1/4" x 7/8" Key
4	100106	1	5L-690 V-Belt
5	101206	1	2.8 OD x 5/8" ID Pulley
6	101129	1	9" x 2-1/2" Compound Pulley
7	-----	1	Idler/Shaft Assembly (refer to Fan [Impellor]/Idler Bearing Assemblies on page 20 and page 21)
8	100171	1	4L-440 V-Belt
9	154301	2	5/16-18 x 1" Allen (cone point) Setscrew
10	101133	1	2-1/4" OD x 5/8" ID Pulley
11	100156	1	5L-330 V-Belt
12	101207	1	3.0 OD x 5/8" ID Pulley
13	-----	1	Motor Mount Assembly (refer to Drive Motor Mount Assembly on page 18 and page 19)
14	100718	1	3/16" x 3/16" x 2-1/4" Key

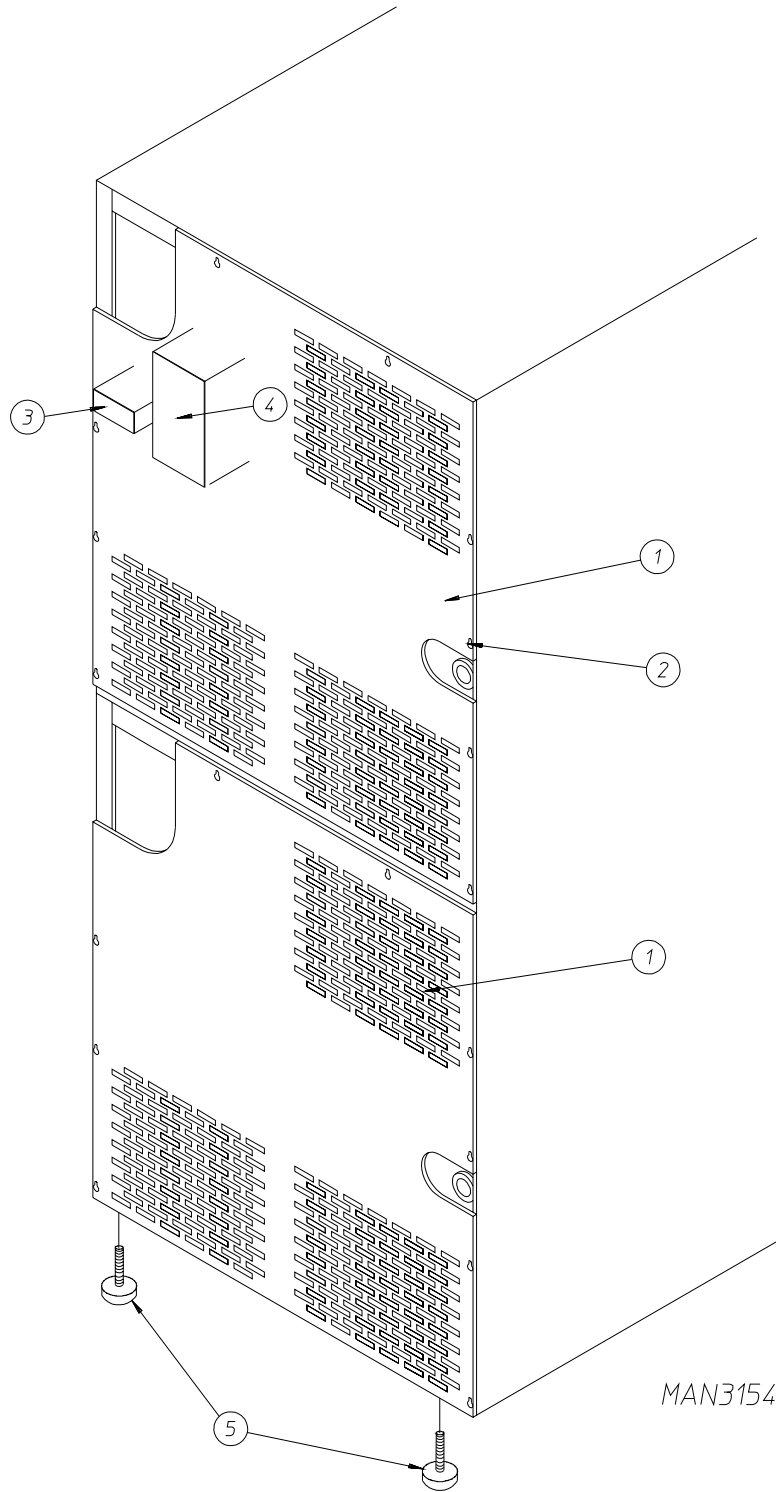


<u>Illus. No.</u>	<u>Part No.</u>	<u>Qty.</u>	<u>Description</u>
1	143536	1	6" x 45° Elbow
2	143536	2	6" x 45° Elbow
	117505	6	Duct Tape (sold by the foot)...Not Illustrated
	881373	1	6" x 45° Elbow with 6" Damper...Not Illustrated



<u>Illus. No.</u>	<u>Part No.</u>	<u>Qty.</u>	<u>Description</u>
1	881792	1	Hot Surface Ignition (HSI) 24 VAC Transformer Kit (for 100 VAC Only)
	881673	1	Hot Surface Ignition (HSI) 24 VAC Transformer Kit (for 200 VAC Only)
2	150301	2	#8-18 x 7/16" Phillips Pan Head TEK Screw
3	152014	2	1/4-20 Free Spin Wash Nut
4	150301	2	#8-18 x 7/16" Phillips Pan Head TEK Screw
5	136008	1 or 2	Fuse Block
6	136049	1	3/4-amp (Slo-Blo) Fuse - 100 VAC ONLY
	136057	2	1/2-amp (Slo-Blo) Fuse - 200 VAC ONLY
7	150301	1 or 2	#8-18 x 7/16" Phillips Pan Head TEK Screw
8	132445	1	1ø 200 Volt Motor Contactor - 24 VAC
	132447	1	1ø 200 Volt and 3ø 200 Volt Motor Contactor - 24 VAC
9	150301	2	#8-18 x 7/16" Phillips Pan Head TEK Screw
10	112025	1	Caution/Fuse Label
11	353161	1	Connector Bracket
12	150301	2	#8-18 x 7/16" Phillips Pan Head TEK Screw
13	122642	1	9-Pin Connector
14	122643	8	M-N-L (Mate-N-Lok) Pin
15	122645	1	6-Pin Connector
16	122643	6	M-N-L (Mate-N-Lok) Pin
17	122649	1	4-Pin Connector
18	122643	4	M-N-L (Mate-N-Lok) Pin
19	150301	2	#8-18 x 7/16" Phillips Pan Head TEK Screw
20	353153	1	Rear Electrical Box Cover
21	112046	1	Ground Label
22	112014	1	High Voltage Label
23	112039	1	"BLACK/WHITE/GREEN/GROUND" Label
24*	150008	2	#6-32 x 1-1/4" Phillips Round Head Machine Screw
25*	120701	1	4-Position Terminal Block
26*	881222	1	Power Distribution Block Mounting Bracket
27*	151000	2	#6-32 Pal Nut
28*	153528	2	#8-32 x 1/2" Clinch Stud
29*	121300	2	Bushing
30*	152001	2	#8-32 Hex Nut
31	121010	1	L-70 Ground Lug
32	153007	1	1/4" Lock Washer
33	152002	1	1/4-20 Hex Nut
34	824828	1	R.C. Network

* For top basket (tumbler) ONLY.



<u>Illus. No.</u>	<u>Part No.</u>	<u>Qty.</u>	<u>Description</u>
1	353147	2	Upper and Lower Back Guard
2	150301	14	#8-18 x 7/16" Phillips Pan Head TEK Screw
3	114001	1	"CAUTION - EXHAUSTED" Label
4	112086	1	"INSTALLATION INSTRUCTION" Label
5	103500	4	Leveling Leg

<u>Part No.</u>	<u>Description</u>
117505	Aluminum Duct Tape (sold by the foot)
120903	Closed End Connector (crimp-on wire nut)
121026	Tab Receptacle Combination
121499	4" Wire Tie
121500	8" Wire Tie
122804	Manometer (used to measure gas pressure)
170730	Main Door Glass/Gasket Adhesive (10.3 oz. cartridge)
401010	#847 Adhesive (5 oz. tube) for Adhering Felt to Basket (tumbler) Assembly
404506	Beige Brush-In-Cap Bottle Touch-Up Paint
404507	Cornflower Blue Brush-In-Cap Bottle Touch-Up Paint
410001	1/2" Allen Wrench (used to remove gas valve brass tailpiece)
881299	Loctite Kit (includes two [2] 0.02 oz. tubes of #290 wicking loctite)

ADC450191

3-08/22/05-0



Free Manuals Download Website

<http://myh66.com>

<http://usermanuals.us>

<http://www.somanuals.com>

<http://www.4manuals.cc>

<http://www.manual-lib.com>

<http://www.404manual.com>

<http://www.luxmanual.com>

<http://aubethermostatmanual.com>

Golf course search by state

<http://golfingnear.com>

Email search by domain

<http://emailbydomain.com>

Auto manuals search

<http://auto.somanuals.com>

TV manuals search

<http://tv.somanuals.com>