



PC 8120

12-inch Core 2 Duo touch panel PC

# Installation Guide

*PC 8120*: 12-inch Core 2 Duo touch panel PC

# PC 8120

12-inch Core 2 Duo touch panel PC

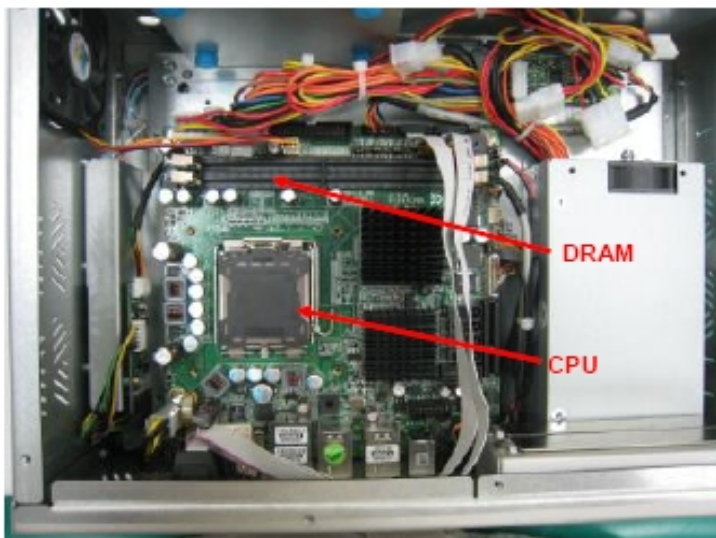
## Installing the CPU and DRAM

The standard PC 8120 system is designed for Intel Core 2 Duo processors. The built-in CPU board provides two 240-pin DDR2 DIMM sockets that support system memory up to 4GB.

Please refer to the instructions below illustrated with concise images, to upgrade the CPU, DRAM, PCI step by step:

Step 1: Unscrew screws to remove the rear chassis.

Step 2: Remove the riser card fix kit.



Step 3: Install the CPU and DDR DRAM in the PC 8120.

# PC 8120

12-inch Core 2 Duo touch panel PC

## Installing the Hard Disk Drive

The PC 8120 offers a convenient drive bay module for users to install HDD. The system offers users of one 2.5" Hard Disk Drive for installation. Please follow the steps:

Step 1: Unscrew screws to remove the rear chassis.

Step 2: Remove the riser card fix kit.

Step 3: Unscrew 4 screws from the HDD drive bracket, and take out HDD bracket kit to install 2.5" HDD.



Step 4: The installation is complete



# PC 8120

12-inch Core 2 Duo touch panel PC

## Add-on Card Installation

The PC 8120 provides a riser card for PCI slots expansion. The riser card assemble can accomodate both half-size expansion cards. To install the riser card, refer to the following figure and instructions below:

Step 1: Remove the rear chassis.

Step 2: Remove the riser card fix kit.

Step 3: Remove plates.



Step 4: Insert the add-on card in the socket firmly until it is completely sealed.



# PC 8120

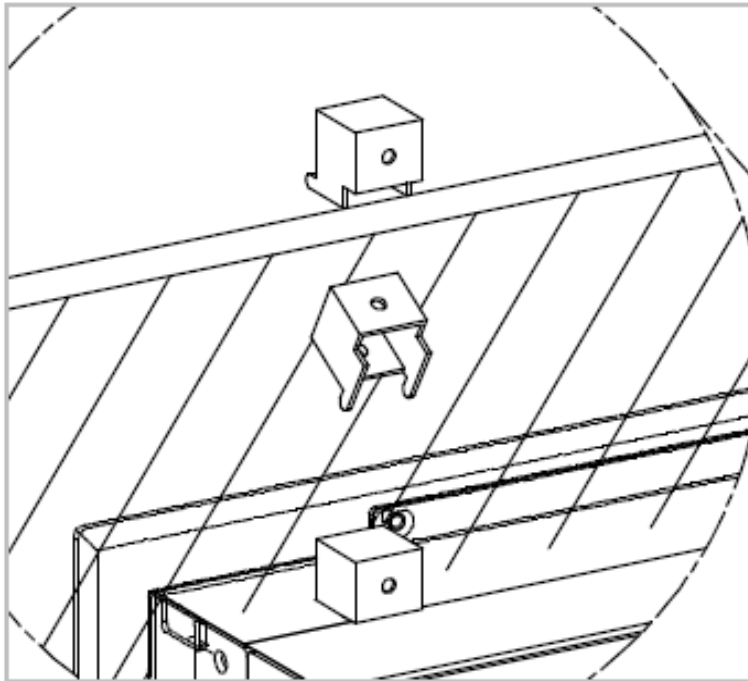
12-inch Core 2 Duo touch panel PC

## Mountings Ways -- Panel/Wall/Desktop

There are several mounting ways available for the PC 8120 system: Panel, Wall, and Desktop.

### Panel Mounting

The PC 8120 is designed for panel mount application. To mount the PC 8120, the standard set of mounting kit (included in the system packaging) is needed.



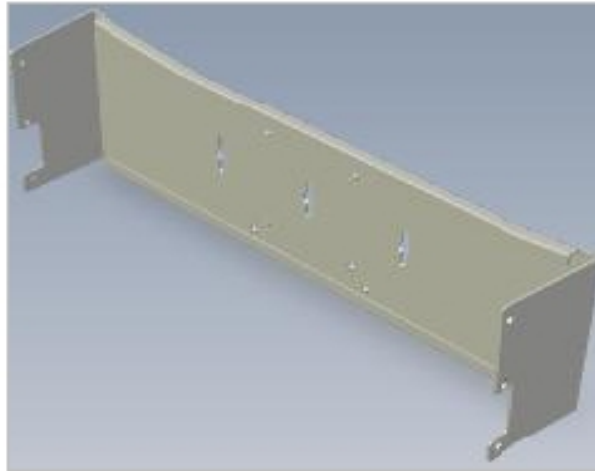
# PC 8120

12-inch Core 2 Duo touch panel PC

## Wall Mounting

The PC 8120 is designed for Wall mounting application. The wall mounting kit is optional. Please refer to the following figure.

Step 1: Use six screws to fix the wall mounting bracket.



Step 2: Complete the wall mounting.



# PC 8120

12-inch Core 2 Duo touch panel PC

## Desktop Mounting

The PC 8120 provides desktop mounting ways. It uses a wall bracket and a desktop stand. Please refer to the following steps:

Step 1: Assemble the Wall mounting bracket



Step 2: Fix the desktop stand.



## Free Manuals Download Website

<http://myh66.com>

<http://usermanuals.us>

<http://www.somanuals.com>

<http://www.4manuals.cc>

<http://www.manual-lib.com>

<http://www.404manual.com>

<http://www.luxmanual.com>

<http://aubethermostatmanual.com>

Golf course search by state

<http://golfingnear.com>

Email search by domain

<http://emailbydomain.com>

Auto manuals search

<http://auto.somanuals.com>

TV manuals search

<http://tv.somanuals.com>