

PRODUCT:

QUANTITY:

ITEM #:

## Designed Smart

- Designed to cook and hold pre-cooked foods from frozen state.
- Perfect for soups, chilis, and other dishes that need a quick thaw during the cooking cycles and a gentle warming heat for serving.
- CW-2A model has unique “serpentine shaped” heating elements that evenly distribute heat throughout the unit.
- CW-1B utilizes a bottom mounted heating element and an aluminum transfer plate to provide superior heat.
- Provided with insulation to protect interior parts and countertops from heat build-up.
- CW-1B accepts an 11qt. inset, or with adaptor, a 7 or 4 qt. inset.
- Both models are provided with knob guards.
- Preheats water to 212° in 10 minutes.



MODEL CW-2A CLASSIC COOK &amp; SERVE



MODEL CW-1B CLASSIC COOK &amp; SERVE

## Built Solid

- Constructed with heavy-duty stainless steel for long life.
- Inside liner made with stainless steel.
- Steel “element support” stabilizes heating elements and reflects heat toward food.

## Reliability backed by APW Wyott’s Warranty

- The CW-2A and CW-1B are backed by a 1-year Parts and Labor warranty.
- The CW-2A is included in our “Enhanced Warranty” service that replaces new units with certain product issues through the convenience of direct factory shipments.
- Certified by the following agencies:



See reverse side for product specifications.

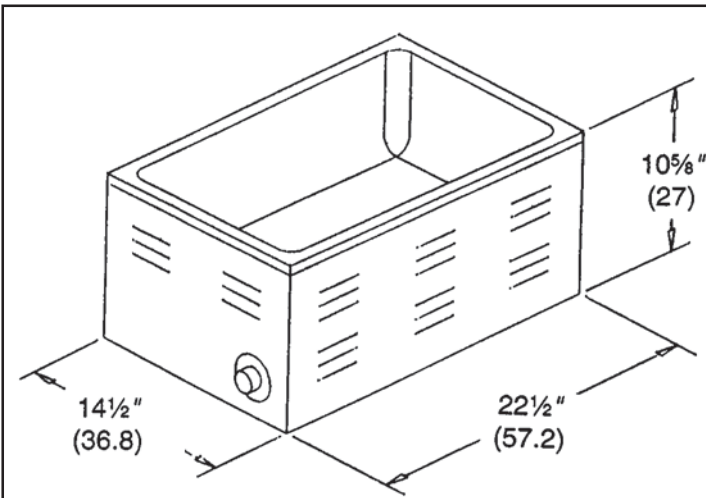
## APW Wyott Design Features

- Wet Usage 100°F to 212°F (38°C to 100°C) (recommended).
- Heavy-duty stainless steel for long life.
- Easy to clean.
- Thermostatically controlled.
- Great for buffets, serving lines, back bars or back-of-the-house.
- Handles breakfast, lunch and dinner.
- Pans and insets not included.

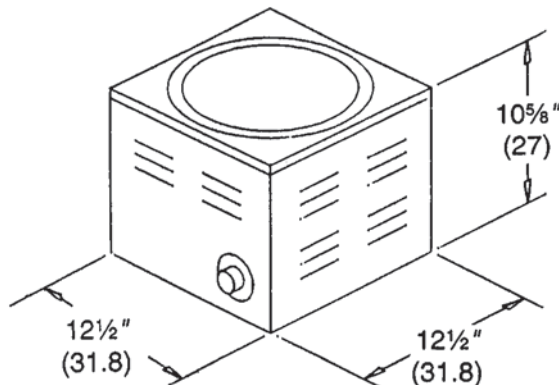
PRODUCT:

QUANTITY:

ITEM #:



**Model CW-2A 12 x 20 22 Qt.  
Classic Cooker/Warmer**



**Model CW-1B 11 Qt.  
Cooker/Warmer/Server**

## PRODUCT SPECIFICATIONS

### Construction:

Stainless steel housing and liner pan,  
1" fiberglass insulation, 1" rubber legs.

### Dimensions:

CW-1B: 10 5/8" H x 12 1/2" W x 12 1/2" D  
(27 cm x 32 cm x 32 cm)  
CW-2A: 10 5/8" H x 14 1/2" W x 22 1/2" D  
(27 cm x 37 cm x 57 cm)

### Electrical Information:

Each unit is equipped with a 60" three-wire grounded power cord which terminates with a standard three-prong male plug. The 120V unit uses a NEMA 5-15P plug. The 240V unit uses a NEMA 6-15P 90° plug.

### Electrical Specifications:

CW-1B: 120V, 800W, 6.7 Amps  
240V, 800W, 6.7 Amps  
CW-2A: 120V, 1500W, 12.5 Amps  
240V, 1600W, 6.7 Amps  
208V, 1200W, 5.8 Amps

### Capacity:

CW-1B: 11 qt.  
CW-2A: 22 qt.

### CW-2A Options:

- Two 7 quart Adapter Plates (14883)
- Three 4 quart Adapter Plates (14886)
- One 7 qt. / One 11 qt. Adapter Plate (14880)

### CW-1B Options:

- 7 quart Adapter Plate (55707)
- 4 quart Adapter Plate (55704)

### Shipping Information:

CW-1B: 16 lbs. (7.3 kg)  
CW-2A: 29 lbs. (13.3 kg)

F.O.B./ Dallas, TX 75226

\*APW Wyott reserves the right to modify specifications or discontinue models without incurring obligation.

## Free Manuals Download Website

<http://myh66.com>

<http://usermanuals.us>

<http://www.somanuals.com>

<http://www.4manuals.cc>

<http://www.manual-lib.com>

<http://www.404manual.com>

<http://www.luxmanual.com>

<http://aubethermostatmanual.com>

Golf course search by state

<http://golfingnear.com>

Email search by domain

<http://emailbydomain.com>

Auto manuals search

<http://auto.somanuals.com>

TV manuals search

<http://tv.somanuals.com>