

**K 240 old / alt**  
**K 241**  
**K 240 Monitor**

**2058Z0001/02: A**  
**2058Z0008/09: B**  
**2058Z0015: C**

**K 240 DF**  
**K 240 Studio**  
**K 240 Studio II**

**2058Z0016: D**  
**2058Z0012: E**  
**2058Z0013: F**

| Description                  | Item Pos.Nr. | Part Nbr. Bestellnr. | A K240 01/02 | B K241 08/09 | C K240M Z0015 | D K240DF Z0016 | E K240St Z0012 | F K240StII Z0013 | Bezeichnung                  |
|------------------------------|--------------|----------------------|--------------|--------------|---------------|----------------|----------------|------------------|------------------------------|
| Headband, outer              | 1            | 2040M0209            | 1            | 1            | 1             | 1              | -              | -                | Bügel                        |
| Headband, outer              | 1            | 2040M0210            | -            | -            | -             | -              | 1              | 1                | Bügel                        |
| Headband, inner              | 2            | 2058Z0901            | 1            | 1            | -             | 1              | -              | -                | Bügelband                    |
| Headband, inner              | 2            | 2058Z0902            | -            | -            | 1             | -              | 1              | 1                | Bügelband                    |
| Cover, right                 | 3            | 2040Z2101            | 1            | -            | -             | -              | -              | -                | Abschlussdeckel, rechts      |
| Cover, right                 | 3            | 2040Z2102            | -            | 1            | -             | -              | -              | -                | Abschlussdeckel, rechts      |
| Cover, right                 | 3            | 2040Z2103            | -            | -            | 1             | -              | -              | -                | Abschlussdeckel, rechts      |
| Cover, right                 | 3            | 2040Z2104            | -            | -            | -             | 1              | -              | -                | Abschlussdeckel, rechts      |
| Cover, right                 | 3            | 2040Z2105            | -            | -            | -             | -              | 1              | -                | Abschlussdeckel, rechts      |
| Cover, right                 | 3            | 2040Z2106            | -            | -            | -             | -              | -              | 1                | Abschlussdeckel, rechts      |
| Cover, left                  | 4            | 2040Z2201            | 1            | -            | -             | -              | -              | -                | Abschlussdeckel, links       |
| Cover, left                  | 4            | 2040Z2202            | -            | 1            | -             | -              | -              | -                | Abschlussdeckel, links       |
| Cover, left                  | 4            | 2040Z2203            | -            | -            | 1             | -              | -              | -                | Abschlussdeckel, links       |
| Cover, left                  | 4            | 2040Z2204            | -            | -            | -             | 1              | -              | -                | Abschlussdeckel, links       |
| Cover, left                  | 4            | 2040Z2205            | -            | -            | -             | -              | 1              | -                | Abschlussdeckel, links       |
| Cover, left                  | 4            | 2040Z2206            | -            | -            | -             | -              | -              | 1                | Abschlussdeckel, links       |
| Wedge                        | 5            | 2040Z3602            | 2            | 2            | 2             | 2              | 2              | 2                | Führungskeil                 |
| Slider                       | 6            | 2040Z1724            | 2            | 2            | 2             | 2              | -              | -                | Führung                      |
| Slider                       | 6            | 2040Z1725            | -            | -            | -             | -              | 2              | -                | Führung                      |
| Slider                       | 6            | 2040Z1726            | -            | -            | -             | -              | -              | 2                | Führung                      |
| Rubber loop                  | 7            | 2040M0303            | 2            | 2            | 2             | 2              | 2              | 2                | Gummischlaufe                |
| Disk                         | 8            | 2040Z1802            | 2            | 2            | 2             | 2              | 2              | 2                | Scheibe                      |
| Screw KB 22x8 for 4, 6       | 9            | 0099N2204            | 4            | 4            | 4             | 4              | 4              | 4                | Schraube KB 22x8 für 4, 6    |
| Plate, left                  | 10           | 4517S0002            | 1            | -            | -             | -              | -              | -                | Schild, links                |
| Plate, left                  | 10           | 4517S0011            | -            | -            | 1             | -              | -              | -                | Schild, links                |
| Plate, left                  | 10           | 4517S0008            | -            | 1            | -             | -              | -              | -                | Schild, links                |
| Plate, left                  | 10           | 4517S0005            | -            | -            | -             | 1              | -              | -                | Schild, links                |
| Plate, left                  | 10           | 2058Z3002            | -            | -            | -             | -              | 1              | -                | Schild, links                |
| Plate, left                  | 10           | 2058Z4201            | -            | -            | -             | -              | -              | 1                | Schild, links                |
| Screw M2x6 for 12            | 11           | 0063D2004            | 2            | 2            | -             | -              | -              | -                | Schraube M2x6 für 12         |
| Screw KB 22x7 for 12         | 11           | 0099N2201            | -            | -            | 2             | 2              | -              | -                | Schraube KB22x7 für 12       |
| Screw KB22x8 for 12          | 11           | 0099N2213            | -            | -            | -             | -              | 3              | 3                | Schraube KB22x8 für 12       |
| Lid                          | 12           | 2040Z0903            | 2            | 2            | 2             | 2              | -              | -                | Deckel                       |
| Lid, left                    | 12           | 2040Z0904            | -            | -            | -             | -              | 1              | -                | Deckel, links                |
| Lid, left+ MiniXLR socket    | 12           | 2040M9901            | -            | -            | -             | -              | -              | 1                | Deckel, links + MiniXLR      |
| Lid, right                   | 12a          | 2040Z0905            | -            | -            | -             | -              | 1              | -                | Deckel, rechts               |
| Lid, right                   | 12a          | 2040M0907            | -            | -            | -             | -              | -              | 1                | Deckel, rechts               |
| Screw M4x12 for 1+system     | 13           | 0084D4000            | 2            | 2            | -             | -              | -              | -                | Schraube M4x12 für 1+System  |
| Screw KB 40x14 for 1+system  | 13           | 0099N4001            | -            | -            | 2             | 2              | 2              | 2                | Schraube KB 40x14 f.1+System |
| Filler                       | 14           | 2040Z1901            | 1            | 1            | 1             | 1              | -              | -                | Füllstück                    |
| Housing                      | 15a          | 2058Z0501            | 2            | 2            | -             | -              | -              | -                | Haube                        |
| Housing                      | 15a          | 2058Z0503            | -            | -            | 2             | 2              | -              | -                | Haube                        |
| Housing                      | 15a          | 2058Z0504            | -            | -            | -             | -              | 2              | -                | Haube                        |
| Housing                      | 15a          | 2058Z0505            | -            | -            | -             | -              | -              | 2                | Haube                        |
| Ornamental ring              | 15b          | 2058Z0602            | 2            | 2            | 2             | -              | 2              | 2                | Zierring                     |
| Ornamental ring              | 15b          | 2058Z0603            | -            | -            | -             | 2              | -              | -                | Zierring                     |
| Damper ring                  | 15c          | 2144Z1001            | 2            | 2            | 2             | 2              | 2              | 2                | Reibung                      |
| Lid                          | 16           | 2058Z0201            | 2            | 2            | 2             | -              | 2              | 2                | Deckel                       |
| Lid, printed                 | 16           | 2058Z0202            | -            | -            | -             | 2              | -              | -                | Deckel, bedruckt             |
| Foam ring                    | 17           | 2073Z1502            | 2            | 2            | 2             | 2              | 2              | 2                | Einlage                      |
| Swivel                       | 18           | 2040Z0502            | 2            | 2            | 2             | 2              | 2              | 2                | Gelenkstück                  |
| Cardan piece                 | 19           | 2040Z0401            | 2            | 2            | 2             | 2              | 2              | 2                | Kardan Mittelstück           |
| Nut M4 for 13                | 20           | 0562D4000            | 2            | 2            | -             | -              | -              | -                | Mutter M4 für 13             |
| Capsule DKK 32               | 21           | 2030Z0007            | -            | 2            | -             | -              | -              | -                | Kapsel DKK 32                |
| Capsule DKK 32               | 21           | 2030Z0010            | 2            | -            | 2             | -              | -              | -                | Kapsel DKK 32                |
| Capsule DKK 32               | 21           | 2030Z0018            | -            | -            | -             | (2)            | -              | -                | Kapsel DKK 32                |
| Capsule DKK 32 + 22a         | 21           | 2058M0702            | -            | -            | -             | 2              | -              | -                | Kapsel DKK 32 + 22a          |
| Capsule XXL                  | 21           | 2606B0002            | -            | -            | -             | -              | 2              | -                | Kapsel XXL                   |
| Capsule XXL                  | 21           | 2606B0003            | -            | -            | -             | -              | -              | 2                | Kapsel XXL                   |
| or equally useable variation | 21           | 2606B0005            | -            | -            | -             | -              | -              | 2                | gleichermaßen verwendbar     |
| Disk                         | 22           | 2058Z2501            | 2            | 2            | 2             | 2              | -              | -                | Scheibe                      |
| Disk                         | 22           | 2058Z2502            | -            | -            | -             | -              | 2              | -                | Scheibe                      |
| Disk                         | 22           | 2058M9901            | -            | -            | -             | -              | -              | 2                | Scheibe                      |
| Foam disk                    | 23           | 2260Z0901            | -            | 2            | 2             | 2              | 2              | 2                | Schaumstoffscheibe           |
| Cushion                      | 24           | 2058Z1001            | 2            | 2            | 2             | 2              | 2              | 2                | Polster                      |

| Description                   | Item Pos.Nr. | Part Nbr. Bestellnr. | A K240 01/02 | B K241 08/09 | C K240M Z0015 | D K240DF Z0016 | E K240St Z0012 | F K240StII Z0013 | Bezeichnung            |
|-------------------------------|--------------|----------------------|--------------|--------------|---------------|----------------|----------------|------------------|------------------------|
| Plate "AKG", silver           | 25           | 4518S0002            | 1            | 1            | -             | -              | -              | -                | Schild "AKG", silver   |
| Plate "AKG", gold             | 25           | 4518S0011            | -            | -            | 1             | -              | -              | -                | Schild "AKG", gold     |
| Plate "AKG", black            | 25           | 4518S0005            | -            | -            | -             | 1              | -              | -                | Schild "AKG", schwarz  |
| Plate "AKG", gold             | 25           | 2058Z3003            | -            | -            | -             | -              | 1              | -                | Schild "AKG", gold     |
| Plate "AKG", gold             | 25           | 2058Z4301            | -            | -            | -             | -              | -              | 1                | Schild "AKG", gold     |
| Cable per meter               | 26           | 1801Z7601            | 3            | 3            | -             | -              | -              | -                | Kabel per Meter        |
| Cable with 3,5 mm plug        | 26           | 2502K0003            | -            | -            | 1             | 1              | -              | -                | Kabel 3,5 mm Klinke    |
| Cable with plugs              | 26           | 0110E0240            | -            | -            | -             | -              | 1              | -                | Kabel mit Steckern     |
| Cable with plugs              | 26           | 0110E0244            | -            | -            | -             | -              | -              | 1                | Kabel mit Steckern     |
| Cable sleeve                  | *)           | 2040Z1001            | 1            | 1            | -             | -              | -              | -                | Kabeltülle             |
| Printed circuit board, cpl.   | 28           | 2058M3201            | -            | -            | -             | -              | 1              | -                | Print, komplett        |
| Spring                        | 29           | 2058Z3101            | -            | -            | -             | -              | 1              | -                | Feder                  |
| Plate                         | 30           | 2058Z3001            | -            | -            | -             | -              | 2              | -                | Schild                 |
| Plate                         | 30           | 2058Z4101            | -            | -            | -             | -              | -              | 2                | Schild                 |
| Rubber disc                   | 31           | 2058Z3401            | -            | -            | -             | -              | 2              | -                | Gummischeibe           |
| Stranded wire, white, per m   | 34           | 1800Z6402            | x            | x            | x             | x              | x              | x                | Litze, weiß, Meterware |
| Stranded wire, red, per meter | 35           | 1800Z6403            | x            | x            | x             | x              | x              | x                | Litze, rot, Meterware  |
| Stranded wire, red, per meter | 36           | 1801Z6503            | -            | -            | -             | -              | -              | 1                | Litze, rot, Meterware  |
| Stranded wire, white, per m   | 37           | 1801Z6502            | -            | -            | -             | -              | -              | 1                | Litze, weiß, Meterware |
| Stranded wire, yellow, per m  | 38           | 1801Z6507            | -            | -            | -             | -              | -              | 1                | Litze, gelb, Meterware |
| Adapter 1/8"→1/4"             | 39           | 0018E0335            | -            | -            | 1             | 1              | 1              | 1                | Adapter 3,5→6,3mm      |
| Rubber ring                   | 40           | 6000N0023            | -            | -            | -             | -              | -              | 2                | O-Ring                 |

\*)On cable where it enters the earpiece / Am Kabel an der Eintrittsstelle in das Hörsystem

### Remarks

Parts for the K 240 Studio will be sold as long as our stock lasts. For later repairs we will exchange the headphones against K 240 Studio II at special rates but only in case that parts are not available.

In case of a capsule defect in very old K 240's of variation 01 and 02 it may be necessary to change both capsules.

Disks 22 with passive radiators are no longer available. All disks 22 are delivered with covers 33 already attached. Lid 12 contains the Mini-XLR socket 38.

### Hinweise

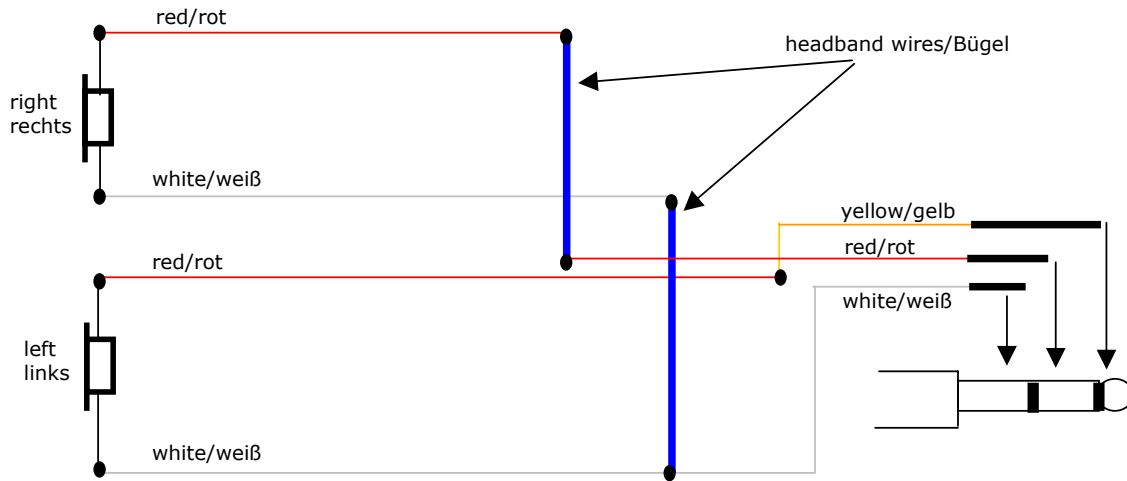
Teile für den K 240 Studio sind nur solange der Vorrat reicht erhältlich. Für spätere Reparaturen wird der komplette Kopfhörer gegen K240 Studio II zu Sonderkonditionen ausgetauscht, allerdings nur im Fall, dass Ersatzteile nicht mehr verfügbar erhältlich sind.

Bei sehr alten K 240 der Varianten 01 und 02 kann es im Fall eines Kapseldefekts notwendig sein, beide Kapseln zu tauschen.

Scheiben 22 mit passiven Membranen sind nicht mehr erhältlich. Alle Scheiben 22 werden mit aufgeklebten Reibungen 33 geliefert. Deckel 12 enthält den Mini-XLR-Einsatz.

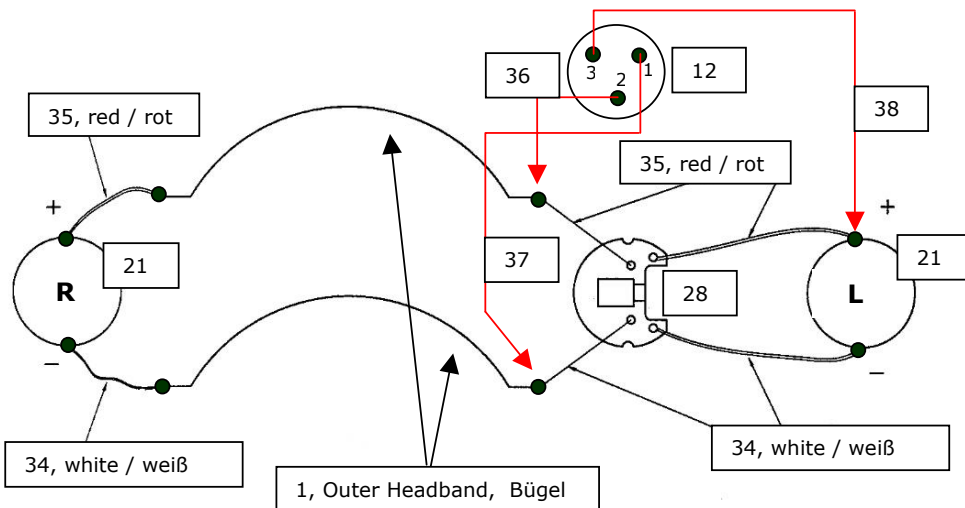
**Wiring diagram K 240 Monitor / K 240 DF**

**Schaltbild K 240 Monitor / K240 DF**



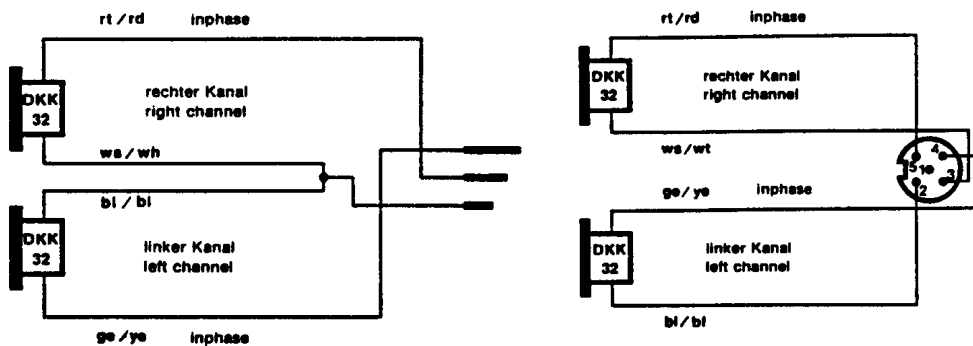
**Wiring diagram K 240 Studio / K 240 Studio II**

**Schaltbild K 240 Studio / K240 Studio II**



**Wiring diagram old K 240 Versions**

**Schaltbild K 240 alte Versionen**



## Free Manuals Download Website

<http://myh66.com>

<http://usermanuals.us>

<http://www.somanuals.com>

<http://www.4manuals.cc>

<http://www.manual-lib.com>

<http://www.404manual.com>

<http://www.luxmanual.com>

<http://aubethermostatmanual.com>

Golf course search by state

<http://golfingnear.com>

Email search by domain

<http://emailbydomain.com>

Auto manuals search

<http://auto.somanuals.com>

TV manuals search

<http://tv.somanuals.com>