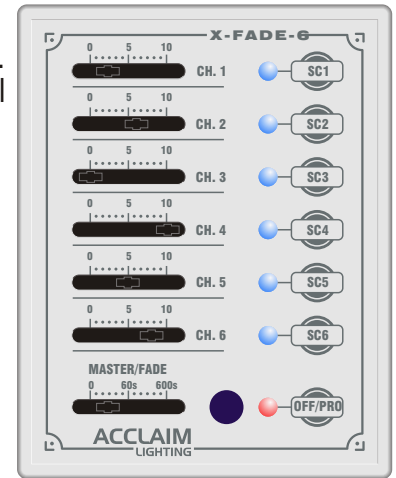


Control Station Operation with Infrared Remote Control

1. Product Descriptions

We wish to express our gratitude for your purchasing our digital product X-Fade-6. You now hold a premiere, hybrid 6-ch DMX controller combining with 6 channel faders. Its compact and portable design is convenient to mount and easy to operate for users. Its key features consists of as the following:

- USITT DMX-512(1990) Multiplexed Digital Control
- Up to 6 DMX channels and 6 channel control faders
- 6 programmable scenes, ability of up to 100 steps per scene
- Assignable fade setting separately and Master control
- Infrared remote control function
- One preset pattern available for per scene
- With a Signal/Power Distribution Box as tension provider and DMX signal converter in the entire system
- US and EU versions optional



X-Fade-6

2. Control Panel View

Front Control View

Channel Faders(1~6):

Used to control the output level of each corresponding fixture channel.

Master Control Fader:

Used to control the overall output level for all Channels1~6 or control the master level for all Scenes.



Infrared Remote

Scene LED indicators(1~6):

These 6 LED's detail the current fader level for Scene's1-6. The LED indicators will reflect the fader level changes in real time.

OFF LED indicators:

To indicate the output state is turned on or off.

Scene Buttons(1~6):

To select the corresponding programmed scene to playback.

OFF Button:

To press the OFF button to close all channel1-6 output or enter/exit Recording Scene Mode.

Infrared Sensor:

To receive infrared remote control signs from Infrared Remote.

RJ45 Interface:

To link with the Signal/Power Distributor Box via C-LAN cable for getting the tension and DMX output.

3. Operating Guide

3.1 Recording Scenes

- 3.1.1 Recording Scenes Mode enables: press and hold the "OFF" button down for approximately 2 seconds or until the red LED indicator next to the "OFF" button comes on, once the indicator is flashing, Record mode is engaged and you may release the "OFF" button.
- 3.1.2 If the selected scene has been stored before, its indicator will be on. Press and hold the "Scene" button down for about 2 seconds and all LED indicators will flash repeatedly 3 times to delete it.
- 3.1.3 Select the "Scene" button where you wish to record to. The selected "Scene" LED will flash repeatedly.
- 3.1.4 Adjust the corresponding "Channel Fader" all ways up to ten(10) to set the desired fader level for the step of the scene. Once you're satisfied with the setting, press the "Scene" button to store it. All LED indicators will flash repeatedly 3 times, indicating that your the step of the scene has been recorded.
- 3.1.5 Repeat Step3.1.4 to record more steps for the scene, up to 100 Steps can be created per scene.
- 3.1.6 To record additional scenes, repeat Step3.1.3~3.1.5.
- 3.1.7 Once you've stored all of your scenes, press and hold the "OFF" button to exit. A blue LED next to the "OFF" button coming on is indicative that you are out of the Recording Scene mode.

3.2 Assigning Scenes Fade time

- 3.2.1 Press and hold the "Scene" button to select the Scene where you wish to assign fade time to, until its indicator is flashing.
- 3.2.2 Keep and hold the selected "Scene" button, and at the moment adjust the "Master control fader" all ways up to 600s to set desired fader level.
- 3.2.3 Once you're satisfied with the setting, release the selected "Scene" button to store it. All LED indicators will flash repeatedly 3 times.
- 3.2.4 To assign fade time for additional scenes, repeat Step 3.2.1 through 3.2.3.

Note: Once you've stored fade time for all of your scenes, please flip the "Master Control Fader" back to the initial position.

3.3 Set OFF Fade time

- 3.3.1 Recording Scene mode enables.
- 3.3.2 Adjust the "Master Control Fader" all ways up to 600s to set the desired level.
- 3.3.3 Once you're satisfied with the setting, tap the "OFF" button to store it. All LED indicators will flash repeatedly 3 times.
- 3.3.4 Exit the Recording Scene mode.

3.4 Set the Total Number of Controllable Channels

- 3.4.1 Disconnect the main power of X-Fade-6.
- 3.4.2 Select the channel total number which you wish to control. When using the "Channel Fader 1", the channel total which you wish to control is "1"; when using the "Channel Fader 2", the channel total which you wish to control is "2"; and in the function, the channel total which you wish to control is up to "6".
- 3.4.3 Should adjust the "Master Control Fade" over 5 position when selecting the channel number.
- 3.4.4 Keep and hold the "OFF" button, and power the X-Fade-6 on, all LED indicators will come on. Release the "OFF" button, and all LED indicators will flash repeatedly 3 times.

3.5 Playback Scenes

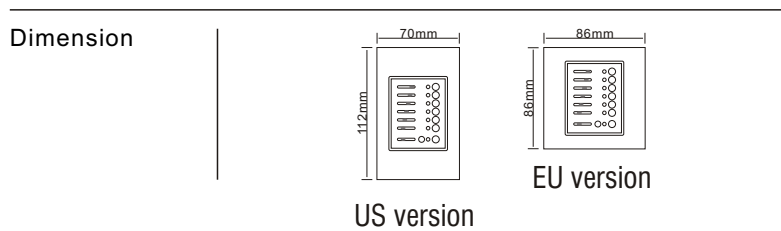
- 3.5.1 Only stored scenes can be playback.
- 3.5.2 Directly tap the "Scene" button to select the scene which you wish to playback.
- 3.5.3 Users can use the Infrared Remote to operate your X-Fade-6.

3.6 Restore Scene

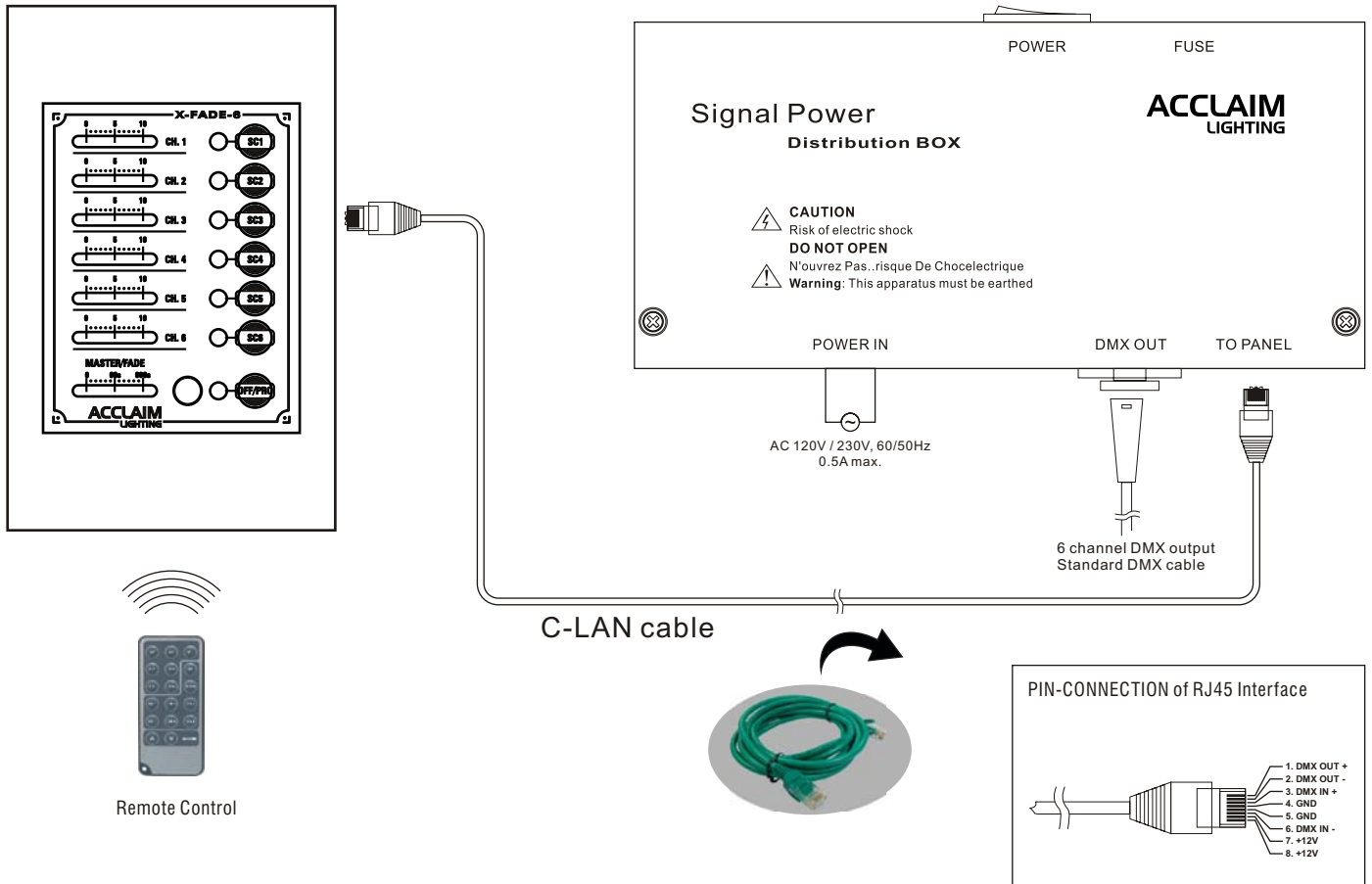
- 3.6.1 Disconnect the main power of the X-Fade-6.
- 3.6.2 Keep and hold down the "Scene1" button which you wish to restore, and power the main power of the X-Fade-6 on, until all Scenes' LED indicators will illuminate. Then release the "Scene" button to restore, and all Scenes' LED indicators will flash repeatedly 3 times

4. Technical Specifications

- Power Requirement 12VDC
- Connection RJ45 interface
- Housing Polycarbonate
- Ingress Protection Rating IP20
- Control Protocol DMX-512 (1990)
- Listing CE certified
- Operation temperature -10 degC to +50 degC
- Dimensions US: 112(L) x 70(W) x 45(H)mm
EU: 86(L) x 86(W) x 45(H)mm
- Weights 200g



5. System Connection Diagram



NOTE:

Effective distance from the infrared sensor of X-Fade-6 to Infrared Remote shall be limited within the range of 10m. Otherwise, it results out of control.

Acclaim Lighting-Los Angeles, CA90058
www.acclaimlighting.com

CE 24-004-1999-00
Rev1.3

Free Manuals Download Website

<http://myh66.com>

<http://usermanuals.us>

<http://www.somanuals.com>

<http://www.4manuals.cc>

<http://www.manual-lib.com>

<http://www.404manual.com>

<http://www.luxmanual.com>

<http://aubethermostatmanual.com>

Golf course search by state

<http://golfingnear.com>

Email search by domain

<http://emailbydomain.com>

Auto manuals search

<http://auto.somanuals.com>

TV manuals search

<http://tv.somanuals.com>