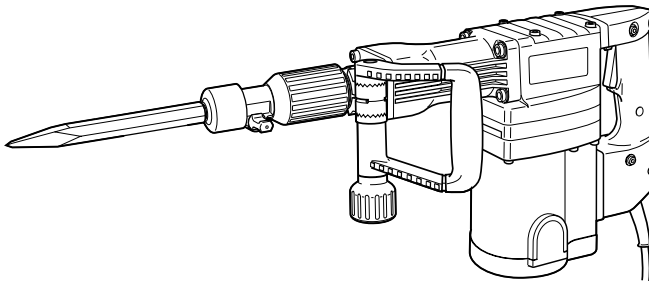


# HITACHI

**Demolition Hammer  
Hammer  
Marteau de démolition  
Martello demolitore  
Hakhamer  
Martillo demoledor  
Martelo  
Κρουστικό**

**H 60KA**

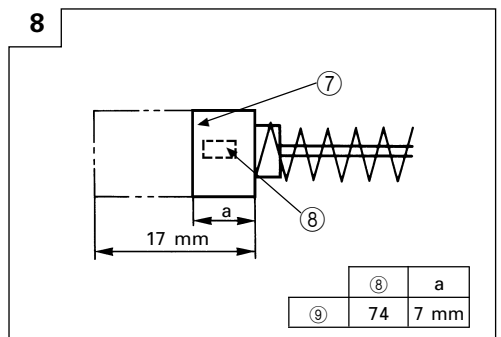
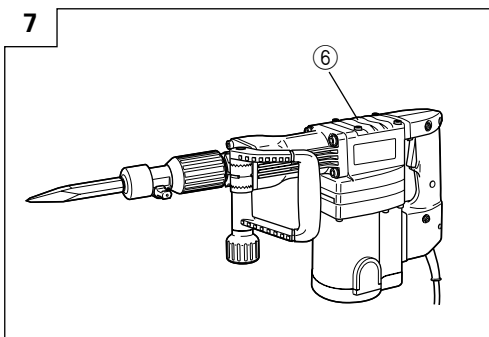
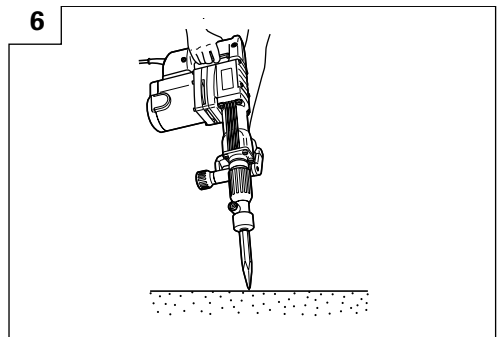
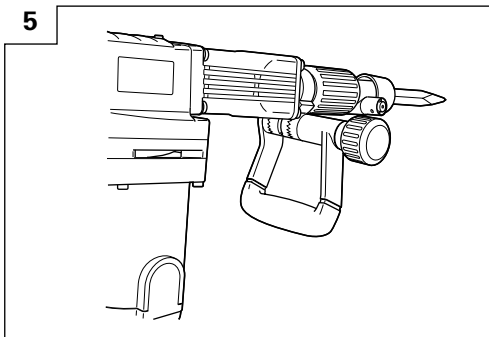
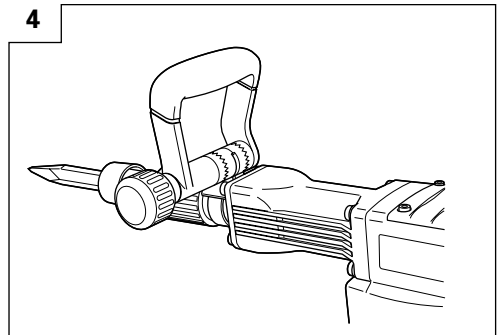
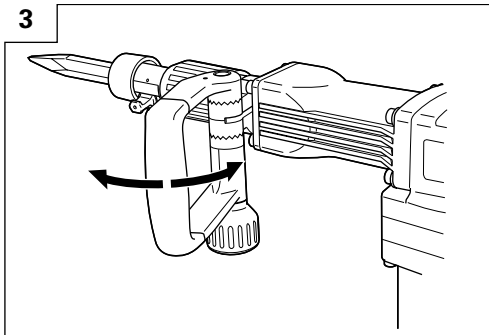
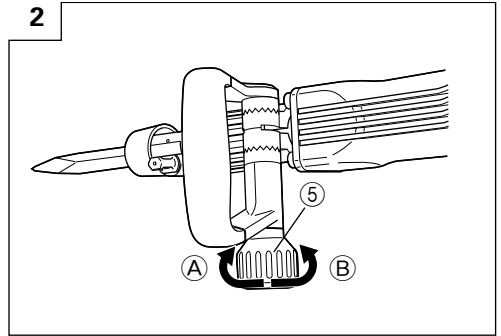
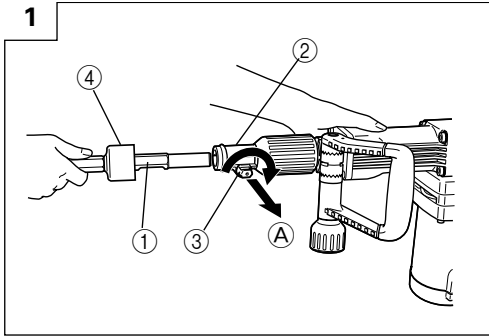


Read through carefully and understand these instructions before use.  
Diese Anleitung vor Benutzung des Werkzeugs sorgfältig durchlesen und verstehen.  
Lire soigneusement et bien assimiler ces instructions avant usage.  
Prima dell'uso leggere attentamente e comprendere queste istruzioni.  
Deze gebruiksaanwijzing s.v.p. voor gebruik zorgvuldig doorlezen.  
Leer cuidadosamente y comprender estas instrucciones antes del uso.  
Antes de usar, leia com cuidado para assimilar estas instruções.  
Διαβάστε προσεκτικά και κατανοήσετε αυτές τις οδηγίες πριν τη χρήση.



Handling instructions  
Bedienungsanleitung  
Mode d'emploi  
Istruzioni per l'uso  
Gebruiksaanwijzing  
Instrucciones de manejo  
Instruções de uso  
Οδηγίες χειρισμού

**Hitachi Koki**



	English	Deutsch	Français	Italiano
①	Tool shank	Werkzeugschaft	Queue d'outil	Gambo dell'utensile
②	Front cover	Frontdeckel	Couvercle frontal	Coperchio anteriore
③	Stop lever	Stoppebel	Levier de butée	Lava di arresto
④	Dust cover	Staubdeckel	Cache-poussière	Coperchio parapolvere
⑤	Grip	Griff	Poignée	Impugnatura
⑥	Crank cover	Kurbeldeckel	Couvercle de manivelle	Coperchio dell'incastellatura
⑦	Wear limit	Verschleißgrenze	Limite d'usure	Limite d'usura
⑧	No. of carbon brush	Nr. der kohlebürste	No. de balai en carbone	Numero delle spazzole di carbone
⑨	Auto-stop carbon brush	Auto-Stop Kohlebürest	Balai en carbone à automatique	Spazzola di carbone ad arresto automatico

	Nederlands	Español	Português	Ελληνικά
①	Boorschacht	Barrena	Haste da ferramenta	Στέλεχος εργαλείου
②	Voorzijde	Cubierta delantera	Tampa frontal	Μπροστινό κάλυμμα
③	Vergrendelpal	Palanca de parada	Alavanca de paragem	Μοχλός ακινητοποίησης
④	Stofdeksel	Cubierta para polvo	Tampa do pó	Κάλυμμα σκόνης
⑤	Greep	Empuñadura	Cabo	Λαβή
⑥	Bedekking	Cubierta del motor	Proteção da manivela	Κάλυμμα στροφάλου
⑦	Slijtage-limiet	Límite de desgaste	Limite de desgaste	Όριο φθοράς
⑧	Nr. van koolborstel	No. de contacto de carbón	Nº de escova de carvão	Αρ. Καρβουνακίων
⑨	Auto-stop koolborstel	Escobilla de carbón de parada automática	Escova de carvão de parada automática	Καρβουνάκια αυτόματης διακοπής

## GENERAL SAFETY RULES

### WARNING!

#### Read all instructions

Failure to follow all instructions listed below may result in electric shock, fire and/or serious injury.

The term "power tool" in all of the warnings listed below refers to your mains operated (corded) power tool or battery operated (cordless) power tool.

### SAVE THESE INSTRUCTIONS

#### 1) Work area

- a) **Keep work area clean and well lit.**  
*Cluttered and dark areas invite accidents.*
- b) **Do not operate power tools in explosive atmospheres, such as in the presence of flammable liquids, gases or dust.**  
*Power tools create sparks which may ignite the dust of fumes.*
- c) **Keep children and bystanders away while operating a power tool.**  
*Distractions can cause you to lose control.*

#### 2) Electrical safety

- a) **Power tool plugs must match the outlet. Never modify the plug in any way. Do not use any adapter plugs with earthed (grounded) power tools.**  
*Unmodified plugs and matching outlets will reduce risk of electric shock.*
- b) **Avoid body contact with earthed or grounded surfaces such as pipes, radiators, ranges and refrigerators.**  
*There is an increased risk of electric shock if your body is earthed or grounded.*
- c) **Do not expose power tools to rain or wet conditions.**  
*Water entering a power tool will increase the risk of electric shock.*
- d) **Do not abuse the cord. Never use the cord for carrying, pulling or unplugging the power tool. Keep cord away from heat, oil, sharp edges or moving parts.**  
*Damaged or entangled cords increase the risk of electric shock.*
- e) **When operating a power tool outdoors, use an extension cord suitable for outdoor use.**  
*Use of a cord suitable for outdoor use reduces the risk of electric shock*

#### 3) Personal safety

- a) **Stay alert, watch what you are doing and use common sense when operating a power tool. Do not use a power tool while you are tired or under the influence of drugs, alcohol or medication.**  
*A moment of inattention while operating power tools may result in serious personal injury.*
- b) **Use safety equipment. Always wear eye protection.**  
*Safety equipment such as dust mask, non-skid safety shoes, hard hat, or hearing protection used for appropriate conditions will reduce personal injuries.*
- c) **Avoid accidental starting. Ensure the switch is in the off position before plugging in.**  
*Carrying power tools with your finger on the switch or plugging in power tools that have the switch on invites accidents.*

- d) **Remove any adjusting key or wrench before turning the power tool on.**  
*A wrench or a key left attached to a rotating part of the power tool may result in personal injury.*
- e) **Do not overreach. Keep proper footing and balance at all times.**  
*This enables better control of the power tool in unexpected situations.*
- f) **Dress properly. Do not wear loose clothing or jewellery. Keep your hair, clothing and gloves away from moving parts.**  
*Loose clothes, jewellery or long hair can be caught in moving parts.*
- g) **If devices are provided for the connection of dust extraction and collection facilities, ensure these are connected and properly used.**  
*Use of these devices can reduce dust related hazards.*

#### 4) Power tool use and care

- a) **Do not force the power tool. Use the correct power tool for your application.**  
*The correct power tool will do the job better and safer at the rate for which it was designed.*
- b) **Do not use the power tool if the switch does not turn it on and off.**  
*Any power tool that cannot be controlled with the switch is dangerous and must be repaired.*
- c) **Disconnect the plug from the power source before making any adjustments, changing accessories, or storing power tools.**  
*Such preventive safety measures reduce the risk of starting the power tool accidentally.*
- d) **Store idle power tools out of the reach of children and do not allow persons unfamiliar with the power tool or these instructions to operate the power tool. Power tools are dangerous in the hands of untrained users.**
- e) **Maintain power tools. Check for misalignment or binding of moving parts, breakage of parts and any other condition that may affect the power tools operation. If damaged, have the power tool repaired before use.**  
*Many accidents are caused by poorly maintained power tools.*
- f) **Keep cutting tools sharp and clean.**  
*Properly maintained cutting tools with sharp cutting edges are less likely to bind and are easier to control.*
- g) **Use the power tool, accessories and tool bits etc., in accordance with these instructions and in the manner intended for the particular type of power tool, taking into account the working conditions and the work to be performed.**  
*Use of the power tool for operations different from intended could result in a hazardous situation.*

#### 5) Service

- a) **Have your power tool serviced by a qualified repair person using only identical replacement parts.**  
*This will ensure that the safety of the power tool is maintained.*

### PRECAUTION

Keep children and infirm persons away.

When not in use, tools should be stored out of reach of children and infirm persons.

**PRECAUTIONS ON USING DEMOLITION HAMMER**

1. Wear ear protections  
Exposure to noise can cause hearing loss.
2. Use auxiliary handles supplied with the tool.  
Loss of control can cause personal injury.

**SPECIFICATIONS**

Voltage (by areas)*	(110V, 230V, 240V) $\cap$
Power Input	1300W*
Full-load Impact Rate	1600min <sup>-1</sup>
Weight (without cord, side handle)	11.0 kg

\*Be sure to check the nameplate on product as it is subject to change by areas.

**STANDARD ACCESSORIES**

- (1) Case ..... 1
  - (2) Bull Point ..... 1
  - (3) Side Handle ..... 1
  - (4) Dust cover ..... 1
- Standard accessories are subject to change without notice.

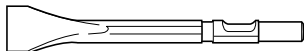
**OPTIONAL ACCESSORIES (sold separately)**

- Demolishing



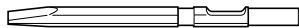
- (1) Bull Point  
Overall Length: 300, 380, 450 mm

- Asphalt Cutting



- (1) Cutter  
Overall Length: 400 mm  
Width: 50, 75 mm

- Groove digging and edging



- (1) Cold chisel  
Overall Length: 300, 380, 450 mm

- Hammer Grease A  
500g (in a can)  
70g (in a tube)  
30g (in a tube)

Optional accessories are subject to change without notice.

3. Do not touch the bit during or immediately after operation. The bit becomes very hot during operation and could cause serious burns.
4. Before starting to break, chip or drill into a wall, floor or ceiling, thoroughly confirm that such items as electric cables or conduits are not buried inside.

**APPLICATIONS**

Demolishing concrete, chiseling concrete, grooving, bar cutting, and driving piles.  
Application examples:  
Installation of piping and wiring, sanitary facility installation, machinery installation, water supply and drainage work, interior jobs, harbor facilities and other civil engineering work.

**PRIOR TO OPERATION**

- 1. Power source**  
Ensure that the power source to be utilized conforms to the power requirements specified on the product nameplate.
- 2. Power switch**  
Ensure that the power switch is in the OFF position. If the plug is connected to a receptacle while the power switch is in the ON position, the power tool will start operating immediately, which could cause a serious accident.
- 3. Extension cord**  
When the work area is removed from the power source, use an extension cord of sufficient thickness and rated capacity. The extension cord should be kept as short as practicable.
- 4. How to install dust cover (Fig. 1)**  
Always install the dust cover on the tool. Insert the dust cover until it lies flush in the groove.
- 5. Installing Tools**  
**CAUTION**  
To prevent accidents, make sure to turn the switch off and disconnect the plug from the receptacle.  
**NOTE:**  
When using tools such as bull points, cutters, etc., make sure to use the genuine parts designated by our company.
  - (1) Clean, then smear the tool shank with the grease provided.
  - (2) Slide the stop lever in the direction of arrow (A) and rotate it 180°. Turn the notch of the tool shank downward and insert it fully into the hexagonal hole of the front cover. (Fig. 1)

- (3) Turn the stop lever and align the front cover mark with the stop lever mark to secure.

**NOTE:**

Remove in the reverse order to installation.

**6. Move the side handle**

The side handle can be fixed at any desired position; 360 degrees, and can also be fixed at any position in the back-and-forth direction.

- (1) Loosen the handle by turning the grip in the direction of **(A)** as shown in **Fig. 2**.
- (2) Adjust it to a position where vertical (up-and-down) operation can be facilitated as illustrated in **Fig. 3**, **Fig. 4**, and **Fig. 5**.
- (3) Turn the grip in the direction of **(B)** and fix the handle.

## HOW TO USE THE DEMOLITION HAMMER (Fig. 6)

- After placing the tip of the tool on concrete surface, switch ON.  
The switch can be turned ON if the trigger is pulled and OFF when it is released.  
If the stopper is pressed while the trigger for the switch is pulled, even if your finger is released from the trigger, the switch remains ON - convenient for continuous operation.  
To turn the switch OFF, pull the trigger again, and then the stopper comes off.
- By utilizing the empty weight of the machine and by firmly holding the demolition hammer by both hands, you can effectively control the subsequent recoil motion.  
Proceed at a moderate work-rate, the use of too much pushing force will impair efficiency.

## GREASE REPLACEMENT

This machine is of fully oil sealed construction to protect against dust incursion and to prevent lubricant leakage. This machine can be used without grease replenishment for an extended period of time. However, perform the grease replacement to extend the service life. Replace the grease as described below.

**1. Grease Replacement Period**

You should look at the grease when you change the carbon brush. (See item 4 in the section MAINTENANCE AND INSPECTION.)

Ask for grease replacement at the nearest authorized Hitachi Service Center.

In the case that you are forced to change the grease by yourself, please follow the following points.

**2. How to replace grease****CAUTION:**

Before replacing the grease, turn the power off and pull out the plug from the receptacle.

- Disassemble the crank cover and thoroughly wipe off the old grease inside. (**Fig. 7**)
- Supply 60g (the standard volume to cover the connecting rod) of Hitachi Electric Hammer Grease A in the crank case.
- After replacing the grease, reassemble the crank cover securely. At this time, do not damage or lose the oil seal.

**NOTE:**

The Hitachi Electric Hammer Grease A is of the low viscosity type. When the grease is consumed, purchase from the authorized Hitachi Service Center.

## MAINTENANCE AND INSPECTION

**CAUTION**

Be sure to switch power OFF and disconnect the plug from the receptacle to avoid serious trouble.

**1. Inspecting the tool**

Since use of a dull tool will degrade efficiency and cause possible motor malfunction, sharpen or replace the tool as soon as abrasion is noted.

**2. Inspecting the mounting screws:**

Regularly inspect all mounting screws and ensure that they are properly tightened. Should any of the screws be loose, retighten them immediately. Failure to do so could result in serious hazard.

**3. Maintenance of the motor**

The motor unit winding is the very "heart" of the power tool. Exercise due care to ensure the winding does not become damaged and/or wet with oil or water.

**4. Inspecting the carbon brushes (Fig. 8)**

The Motor employs carbon brushes which are consumable parts. When they become worn to or near the "wear limit", it could result in motor trouble. When an auto-stop carbon brush is equipped, the motor will stop automatically. At that time, replace both carbon brushes with new ones which have the same carbon brush Number shown in the figure. In addition, always keep carbon brushes clean and ensure that they slide freely within the brush holders.

**5. Replacing carbon brushes:**

Loosen the set screw and remove the tail cover. Remove the brush caps and carbon brushes. After replacing the carbon brushes, do not forget to tighten the brush caps properly and install the tail cover.

**6. Service parts list**

- A: Item No.  
B: Code No.  
C: No. Used  
D: Remarks

**CAUTION**

Repair, modification and inspection of Hitachi Power Tools must be carried out by an Hitachi Authorized Service Center.

This Parts List will be helpful if presented with the tool to the Hitachi Authorized Service Center when requesting repair or other maintenance.

In the operation and maintenance of power tools, the safety regulations and standards prescribed in each country must be observed.

**MODIFICATIONS**

Hitachi Power Tools are constantly being improved and modified to incorporate the latest technological advancements.

Accordingly, some parts (i.e. code numbers and/or design) may be changed without prior notice.

---

## **GUARANTEE**

---

We guarantee Hitachi Power Tools in accordance with statutory/country specific regulation. This guarantee does not cover defects or damage due to misuse, abuse, or normal wear and tear. In case of complaint, please send the Power Tool, undismantled, with the GUARANTEE CERTIFICATE found at the end of this Handling instruction, to a Hitachi Authorized Service Center.

---

### **NOTE**

Due to HITACHI's continuing program of research and development, the specifications herein are subject to change without prior notice.

---

---

### **IMPORTANT**

Correct connection of the plug

The wires of the main lead are coloured in accordance with the following code:

Blue: — Neutral  
Brown: — Live

As the colours of the wires in the main lead of this tool may not correspond with the coloured markings identifying the terminals in your plug proceed as follows: The wire coloured blue must be connected to the terminal marked with the letter N or coloured black. The wire coloured brown must be connected to the terminal marked with the letter L or coloured red. Neither core must be connected to the each terminal.

### **NOTE**

This requirement is provided according to BRITISH STANDARD 2769: 1984.

Therefore, the letter code and colour code may not be applicable to other markets except The United Kingdom.

---

---

### **Information concerning vibration**

The measured values were determined according to EN60745.

The typical weighted root mean square acceleration value: 12.0 m/s<sup>2</sup>

---

---

## ALLGEMEINE SICHERHEITSMASSNAHMEN

### WARNUNG!

#### Lesen Sie sämtliche Hinweise durch

Wenn nicht sämtliche nachstehenden Anweisungen befolgt werden, kann es zu Stromschlag, Brand und/oder ernsthaften Verletzungen kommen.

Der Begriff „Elektrowerkzeug“ bezieht sich in den folgenden Warnhinweisen auf Elektrowerkzeuge mit Netz- (schnurgebunden) oder Akkubetrieb (schnurlos).

### BEWAHREN SIE DIESE ANWEISUNGEN AUF

#### 1) Arbeitsbereich

- a) Sorgen Sie für einen sauberen und gut ausgeleuchteten Arbeitsbereich.

Zugestellte und dunkle Bereiche ziehen Unfälle förmlich an.

- b) Verwenden Sie Elektrowerkzeuge niemals an Orten, an denen Explosionsgefahr besteht – zum Beispiel in der Nähe von leicht entflammaren Flüssigkeiten, Gasen oder Stäuben.

Bei der Arbeit mit Elektrowerkzeugen kann es zu Funkenbildung kommen, wodurch sich Stäube oder Dämpfe entzünden können.

- c) Sorgen Sie bei der Arbeit mit Elektrowerkzeugen dafür, dass sich keine Zuschauer (insbesondere Kinder) in der Nähe befinden.

Wenn Sie abgelenkt werden, können Sie die Kontrolle über das Werkzeug verlieren.

#### 2) Elektrische Sicherheit

- a) Elektrowerkzeuge müssen mit passender Stromversorgung betrieben werden.

Nehmen Sie niemals irgendwelche Änderungen am Anschlussstecker vor.

Verwenden Sie bei Elektrowerkzeugen mit Schutzkontakt (geerdet) niemals Adapterstecker. Stecker im Originalzustand und passende Steckdosen reduzieren das Stromschlagrisiko.

- b) Vermeiden Sie Körperkontakt mit geerdeten Gegenständen wie Rohrleitungen, Heizungen, Herden oder Kühlschränken.

Bei Körperkontakt mit geerdeten Gegenständen besteht ein erhöhtes Stromschlagrisiko.

- c) Setzen Sie Elektrowerkzeuge niemals Regen oder sonstiger Feuchtigkeit aus.

Wenn Flüssigkeiten in ein Elektrowerkzeug eindringen, erhöht sich das Stromschlagrisiko.

- d) Verwenden Sie die Anschlusschnur nicht missbräuchlich. Tragen Sie das Elektrowerkzeug niemals an der Anschlusschnur, ziehen Sie es nicht damit heran und ziehen Sie den Stecker nicht an der Anschlusschnur aus der Steckdose. Halten Sie die Anschlusschnur von Hitzequellen, Öl, scharfen Kanten und beweglichen Teilen fern. Beschädigte oder verdrehte Anschlusschnüre erhöhen das Stromschlagrisiko.

- e) Wenn Sie ein Elektrowerkzeug im Freien benutzen, verwenden Sie ein für den Außeneinsatz geeignetes Verlängerungskabel. Ein für den Außeneinsatz geeignetes Kabel vermindert das Stromschlagrisiko.

#### 3) Persönliche Sicherheit

- a) Bleiben Sie wachsam, achten Sie auf das, was Sie tun, und setzen Sie Ihren Verstand ein, wenn Sie mit Elektrowerkzeugen arbeiten. Benutzen Sie keine Elektrowerkzeuge, wenn Sie müde sind oder unter Einfluss von Drogen, Alkohol oder Medikamenten stehen.

Bei der Arbeit mit Elektrowerkzeugen können bereits kurze Phasen der Unaufmerksamkeit zu schweren Verletzungen führen.

- b) Benutzen Sie Schutzausrüstung. Tragen Sie immer einen Augenschutz.

Schutzausrüstung wie Staubmaske, rutschsichere Sicherheitsschuhe, Schutzhelm und Gehörschutz senken das Verletzungsrisiko bei angemessenem Einsatz.

- c) Vermeiden Sie unbeabsichtigten Anlauf. Achten Sie darauf, dass sich der Schalter in der Aus-(Off-) Position befindet, ehe Sie den Stecker einstecken.

Das Herumtragen von Elektrowerkzeugen mit dem Finger am Schalter und das Einstecken des Steckers bei betätigtem Schalter zieht Unfälle regelrecht an.

- d) Entfernen Sie sämtliche Einstellwerkzeuge (Einstellschlüssel), ehe Sie das Elektrowerkzeug einschalten.

Ein an einem beweglichen Teil des Elektrowerkzeugs angebrachter Schlüssel kann zu Verletzungen führen.

- e) Sorgen Sie für einen festen Stand. Achten Sie jederzeit darauf, sicher zu stehen und das Gleichgewicht zu bewahren.

Dadurch haben Sie das Elektrowerkzeug in unerwarteten Situationen besser im Griff.

- f) Kleiden Sie sich richtig. Tragen Sie keine lose Kleidung oder Schmuck. Halten Sie Haar, Kleidung und Handschuhe von beweglichen Teilen fern. Lose Kleidung, Schmuck oder langes Haar kann von beweglichen Teilen erfasst werden.

- g) Wenn Anschlüsse für Staubabsaug- und -sammelvorrichtungen vorhanden sind, sorgen Sie dafür, dass diese richtig angeschlossen und eingesetzt werden.

Die Verwendung solcher Vorrichtungen kann Staub-bezogene Gefahren mindern.

#### 4) Einsatz und Pflege von Elektrowerkzeugen

- a) Überansprechen Sie Elektrowerkzeuge nicht. Benutzen Sie das richtige Elektrowerkzeug für Ihren Einsatzzweck.

Das richtige Elektrowerkzeug erledigt seine Arbeit bei bestimmungsgemäßem Einsatz besser und sicherer.

- b) Benutzen Sie das Elektrowerkzeug nicht, wenn es sich nicht am Schalter ein- und ausschalten lässt. Jedes Elektrowerkzeug, das nicht mit dem Schalter betätigt werden kann, stellt eine Gefahr dar und muss repariert werden.

- c) Ziehen Sie den Netzstecker, ehe Sie Einstellarbeiten vornehmen, Zubehörteile tauschen oder das Elektrowerkzeug verstauen. Solche präventiven Sicherheitsmaßnahmen verhindern den unbeabsichtigten Anlauf des Elektrowerkzeugs und die damit verbundenen Gefahren.

- d) Lagern Sie nicht benutzte Elektrowerkzeuge außerhalb der Reichweite von Kindern, lassen Sie nicht zu, dass Personen das Elektrowerkzeug bedienen, die nicht mit dem Werkzeug selbst und/oder diesen Anweisungen vertraut sind. Elektrowerkzeuge in ungeschulten Händen sind gefährlich.

- e) Halten Sie Elektrowerkzeuge in Stand. Prüfen Sie auf Fehlansrichtungen, sicheren Halt und Leichtgängigkeit beweglicher Teile, Beschädigungen von Teilen und auf jegliche andere Zustände, die sich auf den Betrieb des Elektrowerkzeugs auswirken können.



Bei Beschädigungen lassen Sie das Elektrowerkzeug reparieren, ehe Sie es benutzen. Viele Unfälle mit Elektrowerkzeugen sind auf schlechte Wartung zurückzuführen.

- f) Halten Sie Schneidwerkzeuge scharf und sauber. Richtig gewartete Schneidwerkzeuge mit scharfen Schneidkanten bleiben weniger häufig hängen und sind einfacher zu beherrschen.
- g) Benutzen Sie Elektrowerkzeuge, Zubehör, Werkzeugspitzen und Ähnliches in Übereinstimmung mit diesen Anweisungen und auf die für das jeweilige Elektrowerkzeug bestimmungsgemäße Weise – beachten Sie dabei die jeweiligen Arbeitsbedingungen und die Art und Weise der auszuführenden Arbeiten. Der bestimmungswidrige Einsatz von Elektrowerkzeugen kann zu gefährlichen Situationen führen.

## 5) Service

- a) Lassen Sie Elektrowerkzeuge durch qualifizierte Fachkräfte und unter Einsatz passender, zugelassener Originalteile warten. Dies sorgt dafür, dass die Sicherheit des Elektrowerkzeugs nicht beeinträchtigt wird.

## VORSICHT

Von Kindern und gebrechlichen Personen fernhalten. Werkzeuge sollten bei Nichtgebrauch außerhalb der Reichweite von Kindern und gebrechlichen Personen aufbewahrt werden.

## VORSICHTSMASSNAHMEN BEI DER BENUTZUNG DES HAMMERS

1. Tragen Sie einen Gehörschutz. Starke und/oder dauerhafte Lärmbelastung kann zu Hörverlust führen.
2. Benutzen Sie die mit dem Werkzeug gelieferten Zusatzgriffe. Wenn Sie die Kontrolle über das Werkzeug verlieren, kann es zu Verletzungen kommen.
3. Die Bohrspitze nicht während oder unmittelbar nach dem Betrieb berühren. Die Bohrspitze wird während des Betriebs sehr heiß, und es könnte zu ernsthaften Verbrennungen kommen.
4. Bevor man in einer Wand, dem Boden oder der Decke etwas ausbricht, meißeilt oder bohrt, muß man sich sorgfältig davon überzeugen, daß keine elektrischen Kabel oder Kabelrohre darunter liegen.

## TECHNISCHE DATEN

Spannung (je nach Gebiet)*	(110V, 230V, 240V) ~
Leistungsaufnahme	1300W*
Vollastschlagzahl	1600min <sup>-1</sup>
Gewicht (ohne Kabel, Seitengriff)	11,0 kg

\*Vergessen Sie nicht, die Produktangaben auf dem Typenschild zu überprüfen, da sich diese je nach Verkaufsgebiet ändern.

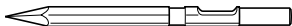
## STANDARDZUBEHÖR

- (1) Gehäuse ..... 1
- (2) Spitzmeißel ..... 1
- (3) Seitengriff ..... 1
- (4) Staubdeckel ..... 1

Das Standardzubehör kann ohne vorherige Bekanntmachung jederzeit geändert werden.

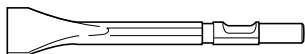
## SONDERZUBEHÖR (separat zu beziehen)

- Brechen



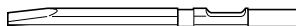
- (1) Spitzmeißel  
Gesamtlänge: 300, 380, 450 mm

- Asphalt schneiden



- (1) Spitzmeißel  
Gesamtlänge: 400 mm  
Breite: 50, 75 mm

- Nuten und Kanten



- (1) Kaltmeißel  
Gesamtlänge: 300, 380, 450 mm

- Hammer Schmierfett A  
500 g (Dose)  
70 g (in Tube)  
30 g (in Tube)

Das Sonderzubehör kann ohne vorherige Bekanntmachung jederzeit geändert werden.

## ANWENDUNGSGEBIETE

Ausbrechen von Zement, Abschlagen von Beton, Nuten, Abtrennen von Rundstahl und Einschlagen von Stangen. Anwendungsbeispiele: Installation von Rohrleitungen und Drähten für sanitäre Einrichtungen, Maschinen, Trinkwasserversorgung und Abwasserableitung, Inneneinrichtungen, Tiefbau- und Hafenanlagen.

## VOR INBETRIEBNAHME

1. **Netzspannung**  
Prüfen, daß die zu verwendende Netzspannung der Angabe auf dem Typenschild entspricht.

**2. Netzschalter**

Prüfen, daß der Netzschalter auf „AUS“ steht. Wenn der Stecker an das Netz angeschlossen wird, während der Schalter auf „EIN“ steht, beginnt das Werkzeug sofort zu laufen, was gefährlich ist.

**3. Verlängerungskabel**

Wenn der Arbeitsbereich nicht in der Nähe des Netzanschlusses liegt, ist ein Verlängerungskabel ausreichenden Querschnitts und ausreichender Nennleistung zu verwenden. Das Verlängerungskabel sollte so kurz wie möglich gehalten werden.

**4. Anbringen des Staubdeckels (Abb. 1)**

Immer den Staubdeckel am Werkzeug anbringen. Den Staubdeckel einsetzen, bis er geneu in der Rille liegt.

**5. Installieren von Werkzeugen****VORSICHT**

Zur Verhütung von Unfällen erst den Schalter ausschalten und den Stecker des Netzkabels aus der Steckdose ziehen.

**HINWEIS:**

Wenn Werkzeuge wie Kugelkopf, Spitzmeißel, Spatmeißel, Schneidwerkzeuge usw. verwendet werden, nur von unserer Firma festgelegte Teile verwenden.

- (1) Den Werkzeugschaft reinigen und mit Hilfe des mitgelieferten Fettes schmieren.
- (2) Den Stopphebel in die Richtung des Pfeiles **(A)** schieben und um 180° drehen. Die Kerbe des Werkzeugschaftes nach unten drehen und das Werkzeug voll in das Sechskantloch der vorderen Abdeckung einführen. **(Abb. 1)**
- (3) Den Stopphebel drehen und die Markierung der vorderen Abdeckung zur Sicherung auf die Markierung des Stopphebels ausrichten.

**HINWEIS:**

Zum Abnehmen das obige Verfahren umgekehrt ausführen.

**6. Bewegen Sie den Seitenhandgriff.**

Der Seitenhandgriff kann in jeder gewünschten Position fixiert werden, 360 Grad, und er kann auch in jeder beliebigen Position in Längsrichtung fixiert werden.

- (1) Lösen Sie den Handgriff durch Drehen des Griffes in Richtung **(A)**, wie in **Abb. 2** gezeigt.
- (2) Stellen Sie ihn auf eine Position ein, in der vertikaler Betrieb (nach oben und unten) erleichtert wird, wie in **Abb. 3**, **Abb. 4** und **Abb. 5** gezeigt.
- (3) Drehen Sie dann den Griff in Richtung **(B)**, um ihn zu fixieren.

**EINSATZ DER HÄMMER (Abb. 3)**

1. Die Spitze des Werkzeugs auf die Betonoberfläche aufsetzen und die Maschine einschalten. Der Schalter kann eingeschaltet werden, wenn der Abzugschalter durchgezogen ist, und er kann ausgeschaltet werden, wenn der Abzugschalter losgelassen ist. Wenn die Verriegelung bei durchgezogenem Abzugschalter gedrückt wird, so bleibt der Schalter eingeschaltet, auch wenn der Abzugschalter losgelassen wird - angenehm für Dauerbetrieb. Ziehen Sie zum Ausschalten den Abzugschalter erneut durch, die Verriegelung wird dann entriegelt.

2. Durch richtige Ausnutzung des Eigengewichtes der Maschine und durch Festhalten der Maschine mit beiden Händen können Sie dann den Rückschlag der Maschine richtig kontrollieren. Arbeiten Sie nicht zu schnell; die Anwendung von zu viel Druck verringert die Wirksamkeit.

**SCHMIERFETTWECHSEL**

Diese Maschine ist vollkommen ölversiegelt, um Eintritt von Staub und Entweichen von Fett zu vermeiden. Dieses Gerät kann lange Zeit ohne Nachfüllen von Fett verwendet werden. Füllen Sie jedoch Fett nach, um die Verwendungszeit des Gerätes zu verlängern. Zum Schmierfettwechsel wie unten angegeben vorgehen.

**1. Wechselzeit**

Inspizieren Sie beim Auswechseln der Kohlebürsten die Fettmenge. (Siehe Punkt 4 im Abschnitt „WARTUNG UND INSPEKTION“.) Wenden Sie sich an Ihre Hitachi Service Station, um den Fettwechsel auszuführen. Wenn Sie das Schmierfett selber wechseln müssen, beachten Sie die folgenden Punkte.

**2. Schmierfettwechsel****VORSICHT**

Vor dem Schmierfettwechsel die Maschine abschalten und den Netzstecker herausnehmen.

- (1) Den Kurbeldeckel ausbauen und das alte Fett gründlich vom Inneren abwischen. **(Abb. 7)**
- (2) 60 g „Hitachi Electric Hammer Grease A“ (die Standardmenge zum Abdecken der Pleuelstange) in das Kurbelgehäuse geben.
- (3) Nach dem Fettwechsel den Kurbeldeckel wieder sicher anbringen. Hierbei nicht die Öldichtung beschädigen oder verlieren.

**HINWEIS:**

Das „Hitachi Electric Hammer Grease A“ Schmierfett ist von niedrigem Flüssigkeitsgrad. Wenn Sie den ganzen Inhalt verbraucht haben, kaufen Sie eine neue Tube bei Ihrer Hitachi Service Station.

**WARTUNG UND INSPEKTION****VORSICHT**

Achten Sie darauf, die Stromversorgung auszuschalten und den Stecker aus der Steckdose zu ziehen, um schwerwiegende Störungen zu vermeiden.

**1. Inspektion des Werkzeugs**

Da Gebrauch eines stumpfen Werkzeugs die Leistung vermindert und ein mögliches Versagen des Motors verursacht, ist das Werkzeug zu schleifen oder zu ersetzen, wenn Verschleiß festgestellt wird.

**2. Inspektion der Befestigungsschrauben:**

Alle Befestigungsschrauben werden regelmäßig inspiziert und geprüft, ob sie gut angezogen sind. Wenn sich eine der Schrauben lockert, muß sie sofort wieder angezogen werden. Geschieht das nicht, kann das zu erheblichen Gefahren führen.

**3. Wartung des Motors:**

Die Motorwicklung ist das „HERZ“ des Elektrowerkzeugs. Daher ist besonders sorgfältig darauf zu achten, daß die Wicklung nicht beschädigt wird und/oder mit Öl oder Wasser in Berührung kommt.

#### 4. Inspektion der Kohlebürsten (Abb. 8)

Im Motor sind Kohlebürsten verwendet, die Verbrauchsteile sind. Wenn sie abgenutzt sind, kann es zu Motorschäden führen. Wenn der Motor mit einer Auto-Stop Kohlebürste ausgestattet ist, wird er automatisch anhalten. Beide Kohlebürsten sollen dann durch neue ersetzt werden, die dieselbe Bürstenummer tragen, wie auf der Abbildung. Darüber hinaus müssen die Kohlebürsten immer sauber gehalten werden und müssen sich in der Bürstenhalterung frei bewegen können.

#### 5. Austausch einer Kohlebürste:

Die Vorbohrschraube lösen und die Abdeckung der Bürstenrückseite abnehmen.

Die Bürstenkappe und die Kohlenbürste entfernen. Nach Wechseln der Kohlenbürste nicht vergessen, die Bürstenkappe sicher zu befestigen und die Bürstenrückseite anzubringen.

#### 6. Liste der Wartungsteile

A: Punkt Nr.

B: Code Nr.

C: Verwendete Anzahl

D: Bemerkungen

#### VORSICHT

Reparatur, Modifikation und Inspektion von Hitachi-Elektrowerkzeugen müssen durch ein autorisiertes Hitachi-Kundendienstzentrum durchgeführt werden. Diese Teileliste ist hilfreich, wenn sie dem autorisierten Hitachi-Kundendienstzentrum zusammen mit dem Werkzeug für Reparatur oder Wartung ausgehändigt wird.

Bei Betrieb und Wartung von Elektrowerkzeugen müssen die Sicherheitsvorschriften und Normen beachtet werden.

#### MODIFIKATIONEN

Hitachi-Elektrowerkzeuge werden fortwährend verbessert und modifiziert, um die neuesten technischen Fortschritte einzubauen.

Dementsprechend ist es möglich, daß einige Teile (z.B. Codenummern bzw. Entwurf) ohne vorherige Benachrichtigung geändert werden.

---

#### GARANTIE

Auf Hitachi-Elektrowerkzeuge gewähren wir eine Garantie unter Zugrundelegung der jeweils geltenden gesetzlichen und landesspezifischen Bedingungen. Dieses Garantie erstreckt sich nicht auf Gehäusedefekte und nicht auf Schäden, die auf Missbrauch, bestimmungswidrigen Einsatz oder normalen Verschleiß zurückzuführen sind. Im Schadensfall senden Sie das nicht zerlegte Elektrowerkzeug zusammen mit dem GARANTIESCHEIN, den Sie am Ende der Bedienungsanleitung finden, an ein von Hitachi autorisiertes Servicecenter.

---

#### HINWEIS

Aufgrund des ständigen Forschungs- und Entwicklungsprogramms von HITACHI sind Änderungen der hierin gemachten technischen Angaben nicht ausgeschlossen.

---

---

#### Information über Vibration

Die Meßwerte wurden entsprechend EN60745 bestimmt.

Der typische gewogene quadratische Mittelwert für die Beschleunigung ist 12,0 m/s<sup>2</sup>.

---

---

## CONSIGNES DE SÉCURITÉ GÉNÉRALES

### AVERTISSEMENT!

#### Lire toutes les instructions

Tout manquement à observer ces instructions peut engendrer des chocs électriques, des incendies et/ou des blessures graves.

Le terme "outil électrique" qui figure dans l'ensemble des avertissements ci-dessous se réfère aux outils électriques (câblé) ou aux outils à piles (sans fil).

### CONSERVER CES INSTRUCTIONS

#### 1) Aire de travail

a) **Maintenir l'aire de travail propre et bien éclairée.**  
*Les endroits encombrés et sombres sont propices aux accidents.*

b) **Ne pas utiliser d'outils électriques en présence de liquides, gaz ou poussière inflammables, au risque de provoquer une explosion.**  
*Les outils électriques créent des étincelles susceptibles d'enflammer la poussière.*

c) **Ne pas laisser les enfants et les visiteurs s'approcher de vous lorsque vous utiliser un outil électrique.**  
*Les distractions peuvent faire perdre le contrôle.*

#### 2) Sécurité électrique

a) **Les prises de l'outil électrique doivent correspondre à la prise secteur.**  
**Ne jamais modifier la prise.**  
**Ne pas utiliser d'adaptateurs avec les outils électriques mis à la masse.**

*Les prises non modifiées et les prises secteurs correspondantes réduisent les risques de choc électrique.*

b) **Éviter tout contact avec les surfaces mises à la masse telles que les tuyaux, radiateurs, bandes et réfrigérateurs.**  
*Le risque de choc électrique est accru en cas de mise à la masse du corps.*

c) **Ne pas exposer les outils électriques à la pluie ou à des conditions humides.**  
*Si l'eau pénètre dans l'outil, cela augmente les risques de choc électrique.*

d) **Ne pas utiliser le cordon à tort. Ne jamais utiliser le cordon pour transporter ou débrancher l'outil électrique.**  
**Maintenir le cordon loin de la chaleur, de l'huile, des bords pointus ou des pièces mobiles.**

*Les cordons endommagés ou usés augmentent les risques de choc électrique.*

e) **En cas d'utilisation d'un outil électrique à l'extérieur, utiliser un cordon de rallonge adapté à un usage extérieur.**  
*L'utilisation d'un cordon adapté à l'usage extérieur réduit les risques de choc électrique.*

#### 3) Sécurité personnelle

a) **Restez alerte, regarder ce que vous faites et usez de votre bon sens en utilisant un outil électrique.**  
**Ne pas utiliser d'outil électrique si vous êtes sous l'influence de drogues, d'alcool ou de médicaments.**

*Pendant l'utilisation d'outils électrique, un instant d'inattention peut entraîner des blessures graves.*

b) **Utiliser des équipements de sécurité. Toujours porter des verres de protection.**

*L'utilisation d'équipements de sécurité tels que les masques anti-poussière, les chaussures de sécurité anti-dérapantes, les casques ou les protections auditives dans des conditions appropriées réduisent les risques de blessures.*

c) **Éviter les démarrages accidentels. Veiller à ce que l'interrupteur soit en position d'arrêt avant de brancher l'outil.**

*Transporter les outils électriques avec le doigt sur l'interrupteur ou brancher les outils électriques avec l'interrupteur en position de marche peut entraîner des accidents.*

d) **Retirer toute clé de sécurité ou clé avant de mettre l'outil électrique en marche.**

*Laisser une clé ou une clé de sécurité sur une partie mobile de l'outil électrique peut engendrer des blessures.*

e) **Ne pas trop se pencher. Toujours garder une bonne assise et un bon équilibre pendant le travail.**  
*Cela permet un meilleur contrôle de l'outil électrique dans des situations imprévisibles.*

f) **Porter des vêtements adéquats. Ne pas porter de vêtements amples ni de bijoux. Maintenir les cheveux, les vêtements et les gants loin des pièces mobiles.**

*Les vêtements amples ou les cheveux longs peuvent se prendre dans les pièces mobiles.*

g) **En cas de dispositifs destinés au raccordement d'installations d'extraction et de recueil de la poussière, veiller à ce qu'ils soient correctement raccordés et utilisés.**

*L'utilisation de ces dispositifs peut réduire les dangers associés à la poussière.*

#### 4) Utilisation et entretien d'un outil électrique

a) **Ne pas forcer sur l'outil électrique. Utiliser l'outil électrique adapté à vos travaux.**

*Le bon outil électrique fera le travail mieux et en toute sécurité au régime pour lequel il a été conçu.*

b) **Ne pas utiliser l'outil électrique si l'interrupteur ne le met pas en position de marche et d'arrêt.**  
*Tout outil ne pouvant être contrôlé par l'interrupteur est dangereux et doit être réparé.*

c) **Débrancher la prise avant de procéder à des réglages, au remplacement des accessoires ou au stockage des outils électriques.**

*Ces mesures préventives de sécurité réduisent les risques de démarrage accidentel de l'outil électrique.*

d) **Stockez les outils électriques inutilisés hors de la portée des enfants et ne pas laisser des personnes non familiarisées avec l'outil ou ces instructions utiliser l'outil électrique.**

*Les outils électriques sont dangereux entre les mains d'utilisateurs non habilités.*

e) **Entretien les outils électriques. Vérifier l'absence de mauvais alignement ou d'arrêt, d'endommagement de pièces ou toute autre condition susceptible d'affecter l'opération de l'outil.**  
**Si l'outil est endommagé, le faire réparer avant utilisation.**

*De nombreux accidents sont dus à des outils mal entretenus.*

**f) Maintenir les outils coupants aiguisés et propres.**

*Des outils coupants bien entretenus avec des bords aiguisés sont moins susceptibles de se coincer et plus simples à contrôler.*

**g) Utiliser l'outil électrique, les accessoires et les mèches de l'outil, etc. conformément à ces instructions et de la manière destinée pour le type précis d'outil électrique, en tenant compte des conditions d'utilisation et du travail à réaliser.**

*L'utilisation de l'outil électrique pour des opérations différentes de celles pour lesquelles il a été conçu est dangereuse.*

**5) Service**

**a) Faire entretenir l'outil électrique par un technicien habilité à l'aide de pièces de rechange identiques exclusivement.**

*Cela garantira le maintien de la sécurité de l'outil électrique.*

**PRECAUTIONS**

**Maintenir les enfants et les personnes infirmes éloignés. Lorsque les outils ne sont pas utilisés, ils doivent être rangés hors de portée des enfants et des personnes infirmes.**

**PRECAUTIONS POUR L'UTILISATION DU MARTEAU DE DÉMOLITION**

1. Portez des bouchons  
L'exposition au bruit peut engendrer une perte de l'audition.
2. Utilisez les poignées auxiliaires fournies avec l'outil.  
Toute perte de contrôle peut entraîner des blessures.
3. Ne pas toucher le foret pendant ou immédiatement après le fonctionnement. Il devient très chaud et peut causer des brûlures.
4. Avant de briser, découper ou percer un mur, le plancher ou le plafond, s'assurer qu'aucun câble électrique ou conduit n'y soit noyé.

**SPECIFICATIONS**

Tension (par zone)*	(110V, 230V, 240V) ~
Entrée	1300W*
Vitesse de percussion à pleine charge	1600min <sup>-1</sup>
Poids (sans cordon et poignée latérale)	11,0 kg

\*Assurez-vous de vérifier la plaque signalétique sur le produit qui peut changer suivant les régions.

**ACCESSOIRES STANDARD**

- (1) Boîtier ..... 1
- (2) Pointe de broyage ..... 1
- (3) Poignée latérale ..... 1
- (4) Cache-pousière ..... 1

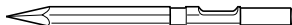
Les accessoires standard sont sujets à changement sans préavis.

- Graisse A pour marteau  
500 g (en boîte)  
70 g (en tube)  
30 g (en tube)

Les accessoires à option sont sujets à changement sans préavis.

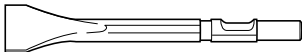
**ACCESSOIRES SUR OPTION (vendus séparément)**

- Broyage



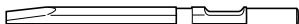
- (1) Pointe de broyage  
Longueur totale: 300, 380, 450 mm

- Coupage d'asphalte



- (1) Fraise  
Longueur totale: 400 mm  
Largeur: 50, 75 mm

- Creusage de rainures et cassure des angles



- (1) Ciseau à froid  
Longueur totale: 300, 380, 450 mm

**APPLICATIONS**

Broyage du béton, burinage, rainurage, coupe de barres, et enfoncement de pieux.

Exemples d'application:

Installation de tuyautage et de câblage, installation de facilités sanitaires, de machinerie, d'alimentation d'eau et de drainage, travaux intérieurs, facilités de port et autres travaux de génie civil.

**AVANT LA MISE EN MARCHÉ**

**1. Source de puissance**

S'assurer que la source de puissance à utiliser correspond à la puissance indiquée sur la plaque signalétique de produit.

**2. Interrupteur de puissance**

S'assurer que l'interrupteur de puissance est en position ARRÊT. Si la fiche est branchée alors que l'interrupteur est sur MARCHÉ, l'outil démarre immédiatement et peut provoquer un grave accident.

**3. Fil de rallonge**

Lorsque la zone de travail est éloignée de la source de puissance, utiliser un fil de rallonge d'une épaisseur suffisante et d'une capacité nominale suffisante. Le fil de rallonge doit être aussi court que possible.

- 4. Comment installer le cache-poussière (Fig. 1)**  
Toujours installer le cache-poussière sur l'outil.  
Insérer le cache-poussière bien à fleur de la rainure.

**5. Installation des outils**

**ATTENTION**

Pour éviter tout risque d'accident, s'assurer que l'outil est éteint et débranché du secteur.

**REMARQUE:**

Lorsqu'on installe des outils, par exemple des pointes de broyage, des fraises, etc., bien veiller à utiliser les pièces d'origine conçues par notre société.

- (1) Nettoyer, puis graisser la queue de l'outil avec la graisse fournie à cet effet.
- (2) Diriger le levier de butée dans le sens de la flèche (A) et le faire pivoter 180°.  
Tourner le cran de la manivelle de l'outil vers le bas et l'introduire complètement dans le trou hexagonal du couvercle frontal. (Fig. 1)
- (3) Tourner le levier de butée et faire correspondre le repère du couvercle frontal avec celui de le levier de butée pour la fixation.

**REMARQUE:**

Pour enlever l'outil procéder à l'inverse de son installation.

**6. Déplacer la poignée latérale.**

La poignée latérale peut se fixer à n'importe quelle position sur 360 degrés, et elle peut également être fixée sur n'importe quelle position en sens avant et arrière.

- (1) Desserrer la poignée en tournant la saisie dans le sens de (A) comme indiqué à la Fig. 2.
- (2) Régler la poignée à une position facilitant le fonctionnement vertical (de haut en bas), comme indiqué à la Fig. 3, la Fig. 4 et la Fig. 5.
- (3) Tourner la saisie dans le sens de (B) et fixer la poignée.

**COMMENT UTILISER LE MARTEAU DE DÉMOLITION (Fig. 6)**

1. Après avoir placé la pointe de l'outil sur la surface du béton, brancher l'outil sur ON.  
L'interrupteur s'enclenche lorsqu'on tire la gâchette et il se coupe quand on relâche la gâchette.  
Si l'on appuie sur la butée pendant qu'on appuie sur la gâchette de l'interrupteur, l'interrupteur reste enclenché, même si on relâche le doigt de la gâchette, ce qui est pratique pour un fonctionnement continu.  
Pour couper l'interrupteur, tirer à nouveau sur la gâchette ; la butée se coupe.
2. En utilisant le poids à vide de la machine et en maintenant fermement le marteau de démolition avec les deux mains, le mouvement de recul peut être effectivement contrôlé. Procéder avec un régime modéré; l'utilisation de trop de force de poussée pourrait réduire l'efficacité.

**REPLACEMENT DE GRAISSE**

Cet outil est de construction entièrement hermétique à l'huile pour la protéger contre la pénétration de poussière et pour éviter les fuites de lubrifiant. Cet outil peut être utilisé sans remplissage de graisse pendant une longue période de temps. Cependant, remplacer la graisse pour ne pas écourter la durée de vie. Remplacer la graisse comme indiqué ci-dessous.

**1. Période de remplacement**

Contrôler la quantité de graisse lors du remplacement de la brosse de carbone. (Voir l'élément 4 de la section ENTRETIEN ET INSPECTION.)

Se procurer la graisse chez l'Agence de Service Autorisée Hitachi la plus proche.

Si vous devez changer la graisse vous-même, veuillez respecter les points suivants.

**2. Comment remplacer la graisse**

**ATTENTION:**

Avant de remplacer la graisse, fermer l'interrupteur et débrancher l'outil de la prise de courant.

- (1) Démonter le couvercle de manivelle et essuyer complètement la vieille graisse à l'intérieur. (Fig. 7)
- (2) Appliquer 60g (la quantité standard pour recouvrir la tige de connexion) de graisse pour Marteau électrique Hitachi A dans le carter.
- (3) Après avoir remplacé la graisse, remonter fermement le carter. A ce moment, ne pas endommager ni desserrer le joint d'huile.

**REMARQUE:**

La graisse pour Marteau électrique Hitachi A est du type à viscosité faible; quand le tube est vide, adressez-vous à votre Agent de Service Autorisé Hitachi pour vous en procurer un nouveau.

**ENTRETIEN ET INSPECTION**

**ATTENTION**

Bien mettre l'interrupteur sur OFF et débrancher la fiche de la prise secteur pour éviter tout ennui grave.

**1. Inspection de l'outil**

Etant donné que l'utilisation d'un outil émoussé réduira le rendement et provoquera éventuellement un mauvais fonctionnement du moteur, aiguiser ou remplacer l'outil dès qu'une abrasion apparaît.

**2. Contrôle des vis de montage**

Vérifier régulièrement les vis de montage et s'assurer qu'elles sont correctement serrées. Resserrer immédiatement toute vis desserrée. Sinon, il y a danger sérieux.

**3. Entretien du moteur**

Le bobinage de l'ensemble moteur est le "cœur" même de l'outil électro-portatif. Veiller soigneusement à ce que ce bobinage ne soit pas endommagé et/ou mouillé par de l'huile ou de l'eau.

**4. Contrôle des balais en carbone (Fig. 8)**

Le moteur utilise des balais en carbone qui sont des pièces qui s'usent. Quand ils sont usés ou près de la "limite d'usure", il pourra en résulter un mauvais fonctionnement du moteur.

Quand le moteur est équipé d'un balai en carbone à arrêt automatique, il s'arrêtera automatiquement. Remplacez alors les balais en carbone par des nouveaux et ayant les mêmes numéros que ceux montrés sur la figure. En outre, toujours tenir les balais propres et veiller à ce qu'ils coulissent librement dans les supports.

**5. Remplacement d'un balai en carbone**

Desserrer la vis de fixation et enlever le couvercle arrière de balai. Enlever le chapeau de balai et le balai de charbon. Après avoir remplacé le balai de charbon, ne pas manquer de serrer fermement le chapeau de balai et d'installer le couvercle arrière.

## 6. Liste des pièces de rechange

- A: No. élément
- B: No. code
- C: No. utilisé
- D: Remarques

### ATTENTION

Les réparations, modifications et inspections des outils électriques Hitachi doivent être confiées à un service après-vente Hitachi agréé.

Il sera utile de présenter cette liste de pièces au service après-vente Hitachi agréé lorsqu'on apporte un outil nécessitant des réparations ou tout autre entretien.

Lors de l'utilisation et de l'entretien d'un outil électrique, respecter les règlements et les normes de sécurité en vigueur dans le pays en question.

### MODIFICATIONS

Les outils électriques Hitachi sont constamment améliorés et modifiés afin d'incorporer les tous derniers progrès technologiques.

En conséquence, il est possible que certaines pièces (c.-à-d. no. de code et/ou dessin) soient modifiées sans avis préalable.

---

## GARANTIE

Nous garantissons que l'ensemble des Outils électriques Hitachi sont conformes aux réglementations spécifiques statutaires/nationales. Cette garantie ne couvre pas les défauts ni les dommages inhérents à une mauvaise utilisation, une utilisation abusive ou l'usure et les dommages normaux. En cas de réclamation, veuillez envoyer l'Outil électrique, en l'état, accompagné du CERTIFICAT DE GARANTIE qui se trouve à la fin du Mode d'emploi, dans un service d'entretien autorisé.

---

## REMARQUE

Par suite du programme permanent de recherche et de développement HITACHI, ces spécifications peuvent faire l'objet de modifications sans avis préalable.

---

---

## Au sujet des vibrations

Les valeurs mesurées ont été déterminées en fonction de la norme EN60745.

Valeur d'accélération moyenne quadratique pondérée  
type: 12,0 m/s<sup>2</sup>

---

---

## NORME DI SICUREZZA GENERALI

### AVVERTENZA!

#### Leggere tutte le istruzioni

*La mancata osservanza di tutte le istruzioni di seguito riportate potrebbe essere causa di scosse elettriche, incendi e/o gravi lesioni.*

*Il termine "elettroutensili" riportato in tutte le avvertenze di seguito elencate si riferisce agli elettroutensili azionati con alimentazione di rete (via cavi) o a batterie (senza cavi).*

### CONSERVARE QUESTE ISTRUZIONI

#### 1) Area operativa

- a) **Mantenere l'area operativa pulita e ordinata.**  
*Aree operative sporche e disordinate possono favorire gli infortuni.*
- b) **Non utilizzare gli elettroutensili in atmosfere esplosive, ad es. in presenza di liquidi, gas o polveri infiammabili.**  
*Gli elettroutensili generano delle scintille che potrebbero accendere la polvere dei fumi.*
- c) **Tenere lontani bambini e astanti durante l'utilizzo degli elettroutensili.**  
*Qualsiasi distrazione può essere causa di perdita di controllo.*

#### 2) Sicurezza elettrica

- a) **Le spine degli elettroutensili devono essere idonee alle prese disponibili.**  
**Non modificare mai le prese.**  
**Con gli elettroutensili a massa (messi a terra), non utilizzare alcun adattatore.**  
*L'utilizzo di spine intatte e corrispondenti alle prese disponibili ridurrà il rischio di scosse elettriche.*
- b) **Evitare qualsiasi contatto con le superfici a massa o a terra, quali tubi, radiatori, fornelli e frigoriferi.**  
*In caso di messa a terra o massa del corpo, sussiste un maggior rischio di scosse elettriche.*
- c) **Non esporre gli elettroutensili alla pioggia o all'umidità.**  
*La penetrazione di acqua negli elettroutensili aumenterà il rischio di scosse elettriche.*
- d) **Non tirare il cavo. Non utilizzarlo per il trasporto, o per tirare o scollegare l'elettroutensile.**  
**Tenere il cavo lontano da fonti di calore, oli, bordi appuntiti o parti in movimento.**  
*Cavi danneggiati o attorcigliati possono aumentare il rischio di scosse elettriche.*
- e) **Durante l'uso degli elettroutensili all'esterno, utilizzare una prolunga idonea per usi esterni.**  
*L'utilizzo di cavi per esterno riduce il rischio di scosse elettriche.*

#### 3) Sicurezza personale

- a) **Durante l'uso degli elettroutensili, state all'erta, verificate ciò che state eseguendo e adottate sempre il buon senso.**  
**Non utilizzate gli elettroutensili qualora siate stanchi, sotto l'influenza di farmaci, alcol o cure mediche.**  
*Anche un attimo di disattenzione durante l'uso degli elettroutensili potrebbe essere causa di gravi lesioni personali.*
- b) **Indossate l'attrezzatura di sicurezza. Indossate sempre le protezioni oculari.**

*L'attrezzatura di sicurezza, quali maschera facciale, calzature antiscivolo, caschi o protezioni oculari ridurrà il rischio di lesioni personali.*

- c) **Ponete attenzione alle accensioni involontarie.**  
**Prima dell'attivazione dell'alimentazione, verificate che l'interruttore sia posizionato su OFF.**  
*Il trasporto degli elettroutensili tenendo le dita sull'interruttore o con alimentazione elettrica attivata dall'interruttore su ON, implica il rischio di incidenti.*
  - d) **Prima di attivare l'elettroutensile, rimuovete qualsiasi chiave di regolazione.**  
*Lasciando la chiave in un componente in rotazione dell'elettroutensile, sussiste il rischio di lesioni personali.*
  - e) **Mantenersi in equilibrio. Mantenersi sempre su due piedi, in equilibrio stabile.**  
*Ciò consente di controllare al meglio l'elettroutensile in caso di situazioni impreviste.*
  - f) **Vestirsi in modo adeguato. Non indossare abiti larghi o gioielli. Tenere i capelli, gli abiti e i guanti lontano dalle parti in movimento.**  
*Abiti allentati, gioielli e capelli lunghi potrebbero impigliarsi nelle parti in movimento.*
  - g) **In caso di dispositivi provvisti di collegamento ad apparecchiature di rimozione e raccolta polveri, verificare che queste siano collegate e utilizzate in modo adeguato.**  
*L'utilizzo di questi dispositivi può ridurre i rischi connessi alle polveri.*
- 4) **Utilizzo e manutenzione degli elettroutensili**
- a) **Non utilizzare elettroutensili non idonei. Utilizzare l'elettroutensile idoneo alla propria applicazione.**  
*Utilizzando l'elettroutensile corretto, si garantirà un'esecuzione migliore e più sicura del lavoro, alla velocità di progetto.*
  - b) **Non utilizzare l'elettroutensile qualora non sia possibile accenderlo/spengerlo tramite l'interruttore.**  
*È pericoloso utilizzare elettroutensili che non possano essere azionati dall'interruttore. Provvedere alla relativa riparazione.*
  - c) **Prima di effettuare qualsiasi regolazione, sostituire gli accessori o depositare gli elettroutensili, scollegare la spina dalla presa elettrica.**  
*Queste misure di sicurezza preventive riducono il rischio di avvio involontario dell'elettroutensile.*
  - d) **Depositare gli elettroutensili non utilizzati lontano dalla portata dei bambini ed evitare che persone non esperte di elettroutensili o non a conoscenza di quanto riportato sulle presenti istruzioni azionino l'elettroutensile.**  
*È pericoloso consentire che utenti non esperti utilizzino gli elettroutensili.*
  - e) **Manutenzione degli elettroutensili. Verificare che non vi siano componenti in movimento disallineati o bloccati, componenti rotti o altre condizioni che potrebbero influenzare negativamente il funzionamento dell'elettroutensile.**  
**In caso di guasti, provvedere alla riparazione dell'elettroutensile prima di riutilizzarlo.**  
*Molti incidenti sono causati da una scarsa manutenzione.*



**f) Mantenere gli strumenti di taglio affilati e puliti.**

*Gli strumenti di taglio in condizioni di manutenzione adeguata, con bordi affilati, sono meno soggetti al bloccaggio e sono più facilmente controllabili.*

**g) Utilizzare l'elettrotensile, gli accessori, le barrette, ecc. in conformità a quanto riportato nelle presenti istruzioni e secondo l'uso preposto, tenendo in debita considerazione le condizioni operative e il tipo di lavoro da eseguire.**

*L'utilizzo di elettrotensili per operazioni diverse da quanto previsto, può essere causa di situazioni pericolose.*

**5) Assistenza**

**a) Affidate le riparazioni dell'elettrotensile a persone qualificate che utilizzino solamente parti di ricambio identiche.**

*Ciò garantirà il mantenimento della sicurezza dell'elettrotensile.*

**PRECAUZIONI**

**Tenere lontano dalla portata di bambini e invalidi. Quando non utilizzati, gli strumenti dovranno essere deposti lontano dalla portata di bambini e invalidi.**

**PRECAUZIONI PER L'USO DEL MARTELLO DEMOLITORE**

1. Indossare protezioni per le orecchie. L'esposizione al rumore può causare la perdita dell'udito.
2. Utilizzare le leve ausiliarie fornite con l'utensile. La perdita di controllo può causare lesioni alla persona.
3. Subito dopo aver adoperato l'attrezzo o durante le operazioni non toccare mai la punta. Questa diviene molto calda durante il funzionamento e potrebbe causare ustioni.
4. Prima di iniziare a penetrare, frantumare o perforare un muro, pavimento o soffitto, accertarsi con sicurezza che oggetti come cavi e condotte non siano murati in essi.

**CARATTERISTICHE**

Voltaggio (per zona)*	(110V, 230V, 240V) $\surd$
Potenza assorbita	1300W*
Frequenza d'impatto a pieno carico	1600min <sup>-1</sup>
Peso (senza cavo e impugnatura laterale)	11,0 kg

\*Accertatevi di aver controllato bene la piastrina perchè essa varia da zona a zona.

**ACCESSORI STANDARD**

- (1) Scatola..... 1
- (2) Punta gigante ..... 1
- (3) Impugnatura laterale ..... 1
- (4) Coperchio parapolvere ..... 1

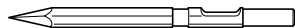
Gli accessori standard possono essere soggetti a cambiamento senza preavviso.

- Grasso A per martello  
500 g (in lattina)  
70 g (nel tubo)  
30 g (nel tubo)

Gli accessori disponibili a richiesta possono soggetti a essere cambiamento senza preavviso.

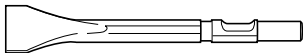
**ACCESSORI FACOLTATIVI (venduti a parte)**

Frantumazione



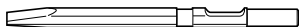
- (1) Punta gigante  
Lunghezza totale: 300, 380, 450 mm

Taglio dell'asfalto



- (1) Coltello  
Lunghezza totale: 400 mm  
Larghezza: 50, 75 mm

Scanalature a bordature



- (1) Tagliolo a freddo  
Lunghezza totale: 300, 380, 450 mm

**APPLICAZIONE**

Frantumazione di cemento armato, truciolatura, scanalatura, taglio di sbarre, e infissione di pali.

Esempi di Applicazioni:

Installazione di tubature e di equipaggiamento per impianti sanitari, di macchinari, lavori di scolo e fuoriuscita d'acqua, lavori per interni, impianti per porti e lavori di ingegneria civile.

**PRIMA DELL'USO**

**1. Alimentazione**

Assicurarsi che la rete di alimentazione che si vuole usare sia compatibile con le caratteristiche relative all'alimentazione di corrente specificate nella piastrina dell'apparecchio.

**2. Interruttore di corrente**

Mettere l'interruttore in posizione SPENTO. Se la spina è infilata in una presa mentre l'interruttore è acceso, l'utensile elettrico si mette immediatamente in moto, facilitando il verificarsi di incidenti gravi.

**3. Prolunga del cavo**

Quando l'ambiente di lavoro è lontano da una presa di corrente, usare una prolunga del cavo di sufficiente spessore e di prestazione adeguata. La prolunga deve essere più corta possibile.

**4. Montaggio del coperchio parapolvere (Fig. 1)**

Installare sempre il coperchio parapolvere sull'utensile.

Inserire il coperchio parapolvere finché giace a livello nella scanalatura.

**5. Installazione degli utensili****CAUTELA**

Per evitare incidenti, non mancare di spegnere l'utensile e di sfilare la spina dalla presa della rete elettrica.

**NOTA:**

Quando si usano utensili come punte giganti, coltelli, ecc, assicurarsi di usare pezzi originali progettati dalla nostra azienda.

- (1) Pulire e quindi spalmare il gambo con il grasso che viene fornito insieme.
- (2) Spingere la leva di arresto nella direzione della freccia **(A)** e ruotarla di 180°.  
Girare il gancio del gambo verso il basso e inserirlo completamente nel foro esagonale del coperchio anteriore. **(Fig. 1)**

- (3) Ruotare la leva di arresto e allineare il segno sul coperchio anteriore con il segno sulla leva di arresto per fissarlo.

**NOTA:**

Operare nell'ordine inverso per installare.

**6. Spostare l'impugnatura laterale**

L'impugnatura laterale può essere fissata nella posizione che si desidera, a scelta su 360°, e sia rivolta in avanti che all'indietro.

- (1) Allentare l'impugnatura girando la presa in direzione **(A)**, come mostrato in **Fig. 2**.
- (2) Aggiustarla in una posizione tale che il funzionamento in verticale (su e giù) possa risultare più facile, con riferimento alle **Fig. 3, 4 e 5**.
- (3) Girare la presa nella direzione **(B)** e fissare l'impugnatura.

**COME USARE IL MARTELLO DEMOLITORE****(Fig. 6)**

1. Accendere dopo aver posizionato la punta dell'utensile su una superficie di cemento. L'interruttore può essere messo in posizione di attivazione tirando il grilletto di comando, e in posizione di disattivazione rilasciandolo. Se si preme il fermo intanto che il grilletto di comando è tirato, anche se si stacca il dito dal grilletto di comando rimane in posizione di attivazione - molto comodo in caso di lavorazione continua.  
Per disattivare, tirare di nuovo il grilletto di comando e a questo punto il fermo viene disattivato.
2. Il moto di reazione può essere efficacemente controllato utilizzando il peso dell'attrezzo tenendolo saldamente con entrambe le mani.  
Lavorare a velocità moderata, in caso contrario una pressione eccessiva rischia di abbassare il livello di efficienza.

**SOSTITUZIONE DEL GRASSO**

Quest'apparecchio è stato costruito in modo da renderlo ermetico all'olio allo scopo di impedire l'entrata di polvere e la fuoriuscita di lubrificante. Questo apparecchio può essere usato senza rifornire il grasso per un lungo periodo di tempo. Tuttavia, effettuare la sostituzione del grasso

per prolungare la durata di servizio. Sostituire il grasso come specificato di seguito.

**1. Periodo di sostituzione del grasso.**

Controllare il grasso quando si cambia la spazzola di carbone. (Vedere la voce 4 nella sezione MANUTENZIONE E CONTROLLO.) L'operazione deve essere eseguita dal più vicino Agente di Servizio autorizzato Hitachi.

In caso si debba sostituire il grasso personalmente, procedere secondo i seguenti punti.

**2. Come sostituire il grasso****CAUTELA**

Prima della sostituzione spegnere l'interruttore e staccare la spina dalla presa di corrente.

- (1) Smontare il coperchio dell'incastellatura e strofinare via completamente il grasso vecchio che si trova all'interno. **(Fig. 7)**.
- (2) Inserire 60g (la quantità normale necessaria per coprire la biella) di Grasso per Martelli Elettrici Hitachi A nel carter.
- (3) A sostituzione del grasso avvenuta rimontare l'alloggio dell'incastellatura. A questo punto fare attenzione a non danneggiare o perdere il sigillo paraolio.

**NOTA:**

Il Grasso per Martelli Elettrici Hitachi A è del tipo a bassa viscosità. Quando il grasso viene finito, acquistatene un altro da un Agente di Servizio Autorizzato Hitachi.

**MANUTENZIONE E CONTROLLO****ATTENZIONE**

Assicurarsi di spegnere e di scollegare la spina dalla presa di corrente per evitare seri problemi.

**1. Controllo della punta**

Poiché l'uso di punte logore diminuisce l'efficacia dell'apparecchio e può provocare eventuali cattivi funzionamenti del motore, affilare o sostituire la punta non appena si nota logoramento.

**2. Controllo delle viti di tenuta:**

Controllare regolarmente tutte le viti di tenuta e assicurarsi che siano esclusivamente serrate. Nel caso che una di queste viti dovesse allentarsi riserrarla immediatamente. Se si non ottiene di farlo, si può causare un grave incidente.

**3. Manutenzione del motore:**

L'avvolgimento del motore il vero e proprio "cuore" degli attezi elettrici. Fare attenzione a non danneggiare l'avvolgimento e/o non bagnarlo con olio o acqua.

**4. Controllo delle spazzole di carbone (Fig. 8)**

Il motore impiega spazzole di carbone, materiali soggetti a consumo. Quando una spazzola è consumata o vicina al limite d'usara, il motore potrebbe subire dei danni. Usando spazzole di carbone con arresto automatico, il motore si ferma automaticamente quando queste sono consumate. In tal caso, bisogna sostituirle con delle nuove, dello stesso numero come indicato nella figura. Tenere, inoltre, sempre pulite le spazzole e fare in modo che questo scorrino liberamente all'interno del portaspazzole.

**5. Sostituzione di una spazzola di carbone:**

Allentare a vite di fermo e togliere il coperchio posteriore. Togliere la capsula della spazzola e le

spazzole di carbone. Dopo la sostituzione di queste non dimenticare di serrare la capsula e di installare il coperchio posteriore.

## 6. Lista dei pezzi di ricambio

- A: N. voce
- B: N. codice
- C: N. uso
- D: Note

## CAUTELA

Riparazioni, modifiche e ispezioni di utensili elettrici Hitachi devono essere eseguite da un centro assistenza Hitachi autorizzato.

Questa lista dei pezzi torna utile se viene presentata con l'utensile al centro assistenza Hitachi autorizzato quando si richiedono riparazioni o altri interventi di manutenzione.

Nell'uso e nella manutenzione degli utensili elettrici devono essere osservate le normative di sicurezza e i criteri prescritti in ciascun paese.

## MODIFICHE

Gli utensili elettrici Hitachi vengono continuamente migliorati e modificati per includere le più recenti innovazioni tecnologiche.

Di conseguenza, alcuni pezzi (p.es. numero di codice e/o design) possono essere modificati senza preavviso.

---

## GARANZIA

Garantiamo gli Utensili Elettrici Hitachi in conformità alle specifiche normative imposte dalla legge e dai paesi. Questa garanzia non copre difetti o danni dovuti a uso erraneo, abuso o normale usura. In caso di lamentele, si prega di inviare l'Utensile Elettrico, non smontato, insieme al CERTIFICATO DI GARANZIA che si trova al termine di queste Istruzioni per l'uso, ad un Centro di Assistenza Autorizzato Hitachi.

---

## NOTA

A causa del continuo programma di ricerca e sviluppo della HITACHI, le caratteristiche riportate in questo foglio sono soggette a cambiamenti senza preventiva comunicazione.

---

---

## Informazioni riguardanti le vibrazioni

I valori misurati sono stati determinati in conformità a EN60745.

Il valore efficace pesato tipico dell'accelerazione è di 12,0 m/s<sup>2</sup>

---

---

## ALGEMENE VEILIGHEIDSVOORSCHRIFTEN

### WAARSCHUWING!

#### Lees alle instructies aandachtig door

Nalating om de hieronderstaande voorschriften op te volgen kan in elektrische schok, brand en/of ernstig letsel resulteren. De term "elektrisch gereedschap" heeft zowel betrekking op elektrisch gereedschap dat via de netvoeding van stroom wordt voorzien als gereedschap dat via een accu (snoerloos) van stroom wordt voorzien.

### BEWAAR DEZE INSTRUCTIES

#### 1) Werkplek

- a) **Zorg voor een schone en goed verlichte werkplek.**  
*Een rommelige en donkere werkplek verhoogt de kans op ongelukken.*
- b) **Gebruik het elektrisch gereedschap niet in een omgeving met ontplofbare vloeistoffen, gassen of stof.**  
*Elektrisch gereedschap kan vonken afgeven. Deze vonkjes kunnen stofdeeltjes of gassen doen ontbranden.*
- c) **Houd kinderen en andere toeschouwers tijdens het gebruik van elektrische gereedschap uit de buurt.**  
*Afleidingen kunnen gevaarlijk zijn.*

#### 2) Elektrische veiligheid

- a) **De stekker op het elektrische gereedschap moet geschikt zijn voor aansluiting op de wandcontactdoos.**  
**De stekker mag op geen enkele manier gemodificeerd worden. Gebruik geen verloopstekker met geaard elektrisch gereedschap.**  
*Deugdelijke stekkers en geschikte wandcontactdozen verminderen het risico op een elektrische schok.*
- b) **Vermijd lichamelijk contact met geaarde oppervlakken zoals leidingen, radiatoren, fornuizen en koelkasten.**  
*Wanneer uw lichaam in contact staat met geaarde oppervlakken loopt u een groter risico op een elektrische schok.*
- c) **Stel het elektrisch gereedschap niet bloot aan regen of vochtige omstandigheden.**  
*Het risico op een elektrische schok wordt vergroot wanneer er water in het elektrisch gereedschap terechtkomt.*
- d) **Behandel het snoer voorzichtig. Draag het gereedschap nooit door dit bij het snoer vast te houden. Trek niet aan het snoer wanneer u de stekker uit het stopcontact wilt halen.**  
**Houd het snoer uit de buurt van warmtebronnen, olie, scherpe randen of bewegende onderdelen.**  
*Een beschadigd of verward snoer verhoogt het risico op een elektrische schok.*
- e) **Gebruik buitenshuis een verlengsnoer dat specifiek geschikt is voor het gebruik buiten.**  
*Het gebruik van een snoer dat specifiek geschikt is voor gebruik buitenshuis vermindert het risico op een elektrische schok.*

#### 3) Persoonlijke veiligheid

- a) **Blijf waakzaam, let voortdurend op uw werk en gebruik uw gezond verstand wanneer u elektrisch gereedschap gebruikt.**  
**Gebruik geen elektrisch gereedschap wanneer u moe bent of onder invloed van drugs, alcohol of medicijnen.**

*Eén moment van onoplettendheid kan in ernstig lichamelijk letsel resulteren.*

- b) **Gebruik persoonlijke beschermingsmiddelen. Draag altijd oogbescherming.**

*Persoonlijke beschermingsmiddelen, zoals stofmaskers, niet-glijdende veiligheidsschoenen, helm of oorbescherming vermindert het risico op lichamelijk letsel.*

- c) **Voorkom dat het gereedschap per ongeluk op kan starten. Controleer of de schakelaar op de uit stand staat voordat u de stekker in het stopcontact steekt.**

*Zorg ervoor dat u tijdens het verplaatsen van het elektrisch gereedschap uw vingers uit de buurt van de schakelaar houdt en steek de stekker van het gereedschap niet in het stopcontact terwijl de schakelaar op aan staat om ongelukken te vermijden.*

- d) **Verwijder sleutels en moersleutels uit het gereedschap voordat u het elektrisch gereedschap aanzet.**

*Een (moer-)sleutel die op een bewegend onderdeel van het elektrisch gereedschap bevestigd is kan in lichamelijk letsel resulteren.*

- e) **Reik niet te ver. Zorg ervoor dat u te allen tijde stevig staat en uw evenwicht behoudt.**

*Op deze manier heeft u tijdens een onverwachte situatie meer controle over het elektrisch gereedschap.*

- f) **Draag geen loszittende kleding of sieraden. Houd uw haar, kleding en handschoenen uit de buurt van bewegende onderdelen.**

*Loszittende kleding, sieraden en lang haar kunnen in de bewegende onderdelen verstrikt raken.*

- g) **Indien het elektrisch gereedschap van een aansluiting voor stofafzuiging is voorzien dan dient u ervoor te zorgen dat de stofafzuiging aangesloten en op de juiste manier gebruikt wordt.**

*Het gebruik van stofafzuiging vermindert eventuele stofgerelateerde risico's.*

- 4) **Bediening en onderhoud van elektrisch gereedschap**

- a) **Het elektrisch gereedschap mag niet geforceerd worden. Gebruik het juiste gereedschap voor het karwei.**

*U kunt de klus beter en veiliger uitvoeren wanneer u het juiste elektrische gereedschap gebruikt.*

- b) **Gebruik het elektrisch gereedschap niet als de schakelaar niet goed werkt.**

*Elektrisch gereedschap dat niet via de schakelaar bediend kan worden is gevaarlijk en moet onmiddellijk gerepareerd worden.*

- c) **Haal de stekker uit het stopcontact voordat u afstellingen verricht, accessoires verwisselt of voordat u het elektrisch gereedschap opbergt.**

*Dergelijke preventieve veiligheidsmaatregelen verminderen het risico dat het elektrisch gereedschap per ongeluk opstart.*

- d) **Berg elektrisch gereedschap buiten het bereik van kinderen op en sta niet toe dat personen die niet bekend zijn met het juiste gebruik van het gereedschap of deze voorschriften dit elektrisch gereedschap gebruiken.**

*Elektrisch gereedschap is gevaarlijk in onbevoegde handen.*

- e) Het elektrisch gereedschap moet regelmatig onderhouden worden. Controleer het gereedschap op een foutieve uitlijning, vastgelopen of defecte bewegende onderdelen en andere problemen die van invloed zijn op de juiste werking van het gereedschap. Indien het gereedschap defect of beschadigd is moet het gerepareerd worden voordat u het gereedschap opnieuw gebruikt.

*Slecht onderhouden elektrisch gereedschap is verantwoordelijk voor een groot aantal doe-het-zelf ongelukken.*

- f) **Houd snijwerktuigen scherp en schoon.**  
*Goed onderhouden snijwerktuigen met scherpe snijranden lopen minder snel vast en zijn gemakkelijker in het gebruik.*
- g) **Elektrisch gereedschap, toebehoren, bits enz. moeten in overeenstemming met deze instructies en het bestemde doel worden gebruikt waarbij de werkomstandigheden en het werk in overweging moeten worden genomen.**  
*Gebruik van elektrisch gereedschap voor andere doeleinden dan het bestemde doel kan tot gevaarlijke situaties leiden.*

## 5) Onderhoudsbeurt

- a) **Het gereedschap mag uitsluitend door bevoegd onderhoudspersoneel worden onderhouden die authentieke onderdelen gebruikt.**

*Hierdoor kunt u erop aan dat de veiligheid van het elektrisch gereedschap behouden blijft.*

## VOORZORGMAATREGELEN

**Houd kinderen en kwetsbare personen op een afstand. Het gereedschap moet na gebruik buiten het bereik van kinderen en andere kwetsbare personen worden opgeborgen.**

## VOORZORGMAATREGELEN BETREFFENDE HET GEBRUIK VAN DE HAKHAMER

1. Draag gehoorbescherming  
Blootstelling aan lawaai kan tot gehoorverlies leiden.
2. Gebruik de extra handgrepen die met het gereedschap zijn meegeleverd.  
Verlies van controle over het gereedschap kan in lichamelijke letsel resulteren.
3. Het booreinde gedurende of direct na het uitzetten NIET aanraken. Het booreinde wordt tijdens het boren uiterst heet, en zou ernstige brandwonden kunnen veroorzaken.
4. Voordat U in een muur- of plafond of vloer iets uitbreekt, dient gecontroleerd te worden of er elektrische kabels of leidingen onder liggen.

## TECHNISCHE GEGEVENS

Voltage (verschillend van gebied tot gebied)*	(110V, 230V, 240V) ~
Input	1300W*
Aantal slagen belast	1600min <sup>-1</sup>
Gewicht (zonder snoer en zijgreep)	11,0 kg

\*Kontroleer het naamplaatje op het apparaat daar het apparaat afhankelijk van het gebied waar het verkocht wordt gewijzigd kan worden.

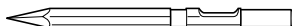
## STANDAARD TOEBEHOREN

- (1) Omhulsel ..... 1  
 (2) Puntboor ..... 1  
 (3) Zijgreep ..... 1  
 (4) Stofdeksel ..... 1

De standaard toebehoren kunnen zonder aankondiging op ieder moment worden veranderd.

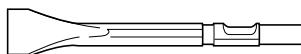
## EXTRA TOEBEHOREN (los verkrijgbaar)

- Breken



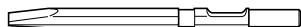
- (1) Puntboor  
Totale lengte: 300, 380, 450 mm

- Asfaltsnijden



- (1) Snijder  
Totale lengte: 400 mm  
Breedte: 50, 75 mm

- Groefsnijden en graven



- (1) Beitel totale lengte: 300, 380, 450 mm

- Hammer Grease A  
500 gr. (in een blik)  
70 gr. (in een tube)  
30 gr. (in een tube)

De extra toebehoren kunnen zonder aankondiging op ieder moment worden veranderd.

## TOEPASSINGEN

Breken van beton, afschilferen van beton, maken van groeven, pijpsnijden, en heien van palen.

Voorbeelden van toepassingen:

Het installeren van pijpen en bedrading van sanitaire faciliteiten, machine-installatie, watertoevoer en afvoerwerk, binnenwerk, havenfaciliteiten, en ander bouwkundig werk.

## VOOR BEGIN VAN HET WERK

### 1. Netspanning

Kontroleren of de netspanning overeenkomt met de opgave op het naamplaatje.

### 2. Netschakelaar

Kontroleren of de netschakelaar op „UIT” staat. Wanneer de stekker op het net aangesloten is, terwijl de schakelaar op „AAN” staat, begint het gereedschap onmiddellijk de draaien, hetwelk ernstig gevaar betekent.

### 3. Verlengsnoer

Wanneer het werkteerrein niet in de buurt van een stopcontact ligt, dan moet men gebruik maken van een verlengsnoer, dat voldoende dwarsprofiel en voldoende nominaal vermogen heeft. Het verlengsnoer moet zo kort mogelijk gehouden worden.

### 4. Aanbrengen van het stofdeksel (Afb. 1)

Plaats het stofdeksel altijd op het gereedschap. Plaats het zodanig dat het stofdeksel goed in de greef valt.

### 5. Plaatsen van hulpstukken

#### LET OP

Vorkom ongelukken en schakel het gereedschap uit en trek de stekker uit het stopcontact.

#### OPMERKING:

Gebruik voor het plaatsen van hulpstukken, zoals bijvoorbeeld snijders, puntboren of schroefbladen, uitsluitend de door de fabrikant gespecificeerde, originele onderdelen.

- (1) Gebruik de bijgeleverde olie om de het toestel door te smeren en schoon te maken.
- (2) Schuif de stophefboom in de richting van de pijl **A** en draai deze 180°. Houd de inkeping van de booras naar beneden en druk de booras volledig in de hexagonale opening van de voorzijde. (Afb. 1)
- (3) Draai de stophefboom en breng het tekenetje op de stophefboom en voorzijde tegenover elkaar om vast te zetten.

#### OPMERKING

Verwijder to boor door deze handdeling in omgekeerde volgorde uit te voeren.

### 6. Verplaatsen van de zijhendel

De zijhendel kan op een gewenste stand worden vergrendeld: 360 graden, en kan tevens in voor- en achterwaartse richting in een andere stand worden vergrendeld.

- (1) Los de hendel door de greep in de richting van **A** te draaien zoals u in **Afb. 2** ziet.
- (2) Stel in een stand waarbij het uitvoeren van werkzaamheden in verticale richting (omhoog-en-omlaag) eenvoudig is zoals u in **Afb. 3**, **Afb. 4** en **Afb. 5** ziet.
- (3) Verdraai de greep naar **B** en bevestig de hendel.

## GEBRUIK VAN DE HAKHAMER (Fig. 6)

1. Schakel in nadat u de punt van het gereedschap op een betonnen oppervlak heeft geplaatst. De schakelaar kan naar ON worden gedrukt wanneer de trekker is aangetrokken en naar OFF wanneer de trekker is ontspannen. Wanneer u op de vergrendeling drukt als de trekker voor de schakelaar is aangetrokken, zal de schakelaar op ON gedrukt blijven, ookal laat u de schakelaar los. Dit is handig voor het uitvoeren van doorlopende, langdurige werkzaamheden. Trek weer aan de trekker om de schakelaar naar OFF te drukken. De vergrendeling wordt nu gestopt.
2. Door gebruik te maken van het lege gewicht van het apparaat, en dit stevig vast te houden met beide handen, kan effectieve bediening verkregen worden. Zet niet teveel druk op het apparaat; teveel druk vermindert efficiëntie.

## VERVANGEN VAN DE OLIE

Dit gereedschap is oliedicht ter bescherming tegen stof en het lekken van olie. Het gereedschap kan worden gebruikt zonder regelmatig olie (smeermiddel) toe te voegen. U moet echter na langdurig gebruik de olie vervangen om de levensduur van het gereedschap te verlengen. Voer de volgende handelingen hiervoor uit.

### 1. Periodieke vervanging van de olie

U moet het vet bekijken wanneer u de koolborstel vervangt. (Zie onderdeel 4 in het gedeelte ONDERHOUD EN INSPECTIE.) Vervangingsolie is verkrijgbaar bij de officiële Hitachi Service Agent. In het geval dat u de smeerolie zelf moet vervangen, gaat u als volgt te werk.

### 2. Verwisselen van de olie

#### LET OP:

Zet het apparaat uit, en verwijder de stekker uit het stopcontact voordat met het vervangen van de olie begonnen wordt.

- (1) Demonteer de bedekking en veeg de aanwezige oude smeerolie goed weg (**Fig. 7**).
- (2) Voeg 60 gram (de standaardhoeveelheid voor bedekking van de verbindingstang) Hitachi Electric Hammer Grease A aan de bedekking toe.
- (3) Herplaats de bedekking op de juiste manier nadat de olie vervangen is. Wees voorzichtig zodat de diefafdichting niet wordt beschadigd of geloozd.

#### OPMERKING:

De Hitachi Electric Hammer Grease A is van het lage viscositeitstype. Wanneer de tube opgebruikt is, kan een nieuwe tube bij de Hitachi Service Agent verkregen worden.

## ONDERHOUD EN INSPECTIE

### LET OP

U moet de stroom uitschakelen (OFF) en de stekker uit het stopcontact halen om ernstige problemen te voorkomen.

### 1. Inspectie van de boor

Daar door een stompe boor het prestatievermogen vermindert, en de motor beschadigd kan worden, dient deze geslepen of vervangen te worden wanneer slijtage wordt vastgesteld.

## 2. Inspectie van de bevestigingsschroef:

Alle bevestigingsschroeven worden regelmatig geïnspecteerd en gecontroleerd of zij juist aangedraaid zijn. Wanneer één van de schroeven losraakt, dan moet deze onmiddellijk opnieuw aangedraaid worden. Gebeurt dat niet, dan kan dat tot aanzienlijke gevaren leiden.

## 3. Onderhoud van de motor

De motorwikkeling is het „hart“ van het elektrische gereedschap. Er moet daarom bijzonder zorgvuldig op gelet worden, dat de wikkeling niet beschadigd en/of met olie of water bevochtigd wordt.

## 4. Inspectie van de koolborstels (Afb. 8)

Bij de motor zijn koolborstels gebruikt, die onderhevig zijn aan slijtage. De motor kan beschadigd worden wanneer de koolborstels versleten zijn. De motor stop automatisch wanneer deze voorzien is van auto-stop koolborstels.

In dit geval dienen beide koolborstels vervangen te worden door nieuwe borstels van hetzelfde nummer, zoals de afbeelding laat zien. Bovendien moeten de koolborstels zich in de borstelhouders vrij kunnen bewegen.

## 5. Het wisselen van de koolborstel:

Draai de schroeven los en verwijder de eindbedekking.

Verwijder de borstelkap en de koolborstels. Zet de dop goed vast nadat nieuwe borstels zijn ingebracht, en herplaats de eindbedekking.

## 6. Lijst vervangingsonderdelen

- A: Ond.nr.
- B: Codenr.
- C: Gebr.nr.
- D: Opm.

## LET OP

Reparatie, modificatie en inspectie van Hitachi elektrisch gereedschap dient te worden uitgevoerd door een erkend Hitachi Service-centrum.

Deze Onderdelenlijst komt van pas wanneer u deze samen met het gereedschap aanbiedt bij het erkende Hitachi Service-centrum wanneer u om reparatie of ander onderhoud verzoekt.

Bij gebruik en onderhoud van elektrisch gereedschap dienen de in het land waar u zich bevindt geldende veiligheidsregelgeving en veiligheidsstandaarden stipt te worden opgevolgd.

## MODIFICATIES

Hitachi elektrisch gereedschap wordt voortdurend verbeterd en gewijzigd teneinde gebruik te kunnen maken van de nieuwste technische ontwikkelingen. Daarom is mogelijk dat sommige onderdelen (zoals codenummers en/of ontwerp) zonder voorafgaande kennisgeving gewijzigd worden.

---

## OPMERKING

Op grond van het voortdurende research-en ontwikkelingsprogramma van HITACHI zijn veranderingen van de hierin genoemde technische opgaven voorbehouden.

---

---

## Informatie betreffende trillingen

De gemeten waarden zijn verkregen overeenkomstig EN60745.

Typische gewogen effectieve versnellingswaarde: 12,0 m/s<sup>2</sup>

---

---

## GARANTIE

De garantie op het elektrisch gereedschap van Hitachi is in overeenstemming met de wettelijke/landspecifieke richtlijnen. Deze garantie dekt geen defecten of schade als gevolg van foutief gebruik, misbruik of normale slijtage. In geval van klachten verzoeken wij u het elektrisch gereedschap samen met het GARANTIECERTIFICAAT dat u achterin deze handleiding aantreft naar een erkend servicecentrum van Hitachi te sturen. Indien door de gebruiker de machine wordt gedemonteerd vervalt de aanspraak op garantie.

## NORMAS GENERALES DE SEGURIDAD

### ¡ADVERTENCIA!

#### Lea todas las instrucciones

*Si no se siguen las instrucciones de abajo podría producirse una descarga eléctrica, un incendio y/o daños graves.*

*El término "herramienta eléctrica" en todas las advertencias indicadas a continuación hace referencia a la herramienta eléctrica que funciona con la red de suministro (con cable) o a la herramienta eléctrica que funciona con pilas (sin cable).*

### CONSERVE ESTAS INSTRUCCIONES

#### 1) Área de trabajo

- a) **Mantenga la zona de trabajo limpia y bien iluminada.**

*Las zonas desordenadas y oscuras pueden provocar accidentes.*

- b) **No utilice las herramientas eléctricas en entornos explosivos como, por ejemplo, en presencia de líquidos inflamables, gases o polvo.**

*Las herramientas eléctricas crean chispas que pueden hacer que el polvo desprenda humo.*

- c) **Mantenga a los niños y transeúntes alejados cuando utilice una herramienta eléctrica.**

*Las distracciones pueden hacer que pierda el control.*

#### 2) Seguridad eléctrica

- a) **Los enchufes de las herramientas eléctricas tienen que ser adecuados a la toma de corriente. No modifique el enchufe.**

*No utilice enchufes adaptadores con herramientas eléctricas conectadas a tierra.*

*Si no se modifican los enchufes y se utilizan tomas de corriente adecuadas se reducirá el riesgo de descarga eléctrica.*

- b) **Evite el contacto corporal con superficies conectadas a tierra como tuberías, radiadores y frigoríficos.**

*Hay mayor riesgo de descarga eléctrica si su cuerpo está en contacto con el suelo.*

- c) **No exponga las herramientas eléctricas a la lluvia o a la humedad.**

*La entrada de agua en una herramienta eléctrica aumentará el riesgo de descarga eléctrica.*

- d) **No utilice el cable incorrectamente. No utilice el cable para transportar, tirar de la herramienta eléctrica o desenchufarla.**

*Mantenga el cable alejado del calor, del aceite, de bordes afilados o piezas móviles.*

*Los cables dañados o enredados aumentan el riesgo de descarga eléctrica.*

- e) **Cuando utilice una herramienta eléctrica al aire libre, utilice un cable prolongador adecuado para utilizarse al aire libre.**

*La utilización de un cable adecuado para usarse al aire libre reduce el riesgo de descarga eléctrica.*

#### 3) Seguridad personal

- a) **Esté atento, preste atención a lo que hace y utilice el sentido común cuando utilice una herramienta eléctrica.**

*No utilice una herramienta eléctrica cuando esté cansado o esté bajo la influencia de drogas, alcohol o medicación.*

*La distracción momentánea cuando utiliza herramientas eléctricas puede dar lugar a importantes daños personales.*

- b) **Utilice equipo de seguridad. Utilice siempre una protección ocular.**

*El equipo de seguridad como máscara para el polvo, zapatos de seguridad antideslizantes, casco o protección para oídos utilizado para condiciones adecuadas reducirá los daños personales.*

- c) **Evite un inicio accidental. Asegúrese de que el interruptor está en "off" antes de enchufarlo.**

*El transporte de herramientas eléctricas con el dedo en el interruptor o el enchufe de herramientas eléctricas con el interruptor encendido puede provocar accidentes.*

- d) **Retire las llaves de ajuste antes de encender la herramienta eléctrica.**

*Si se deja una llave en una pieza giratoria de la herramienta eléctrica podrían producirse daños personales.*

- e) **No se extralimite. Mantenga un equilibrio adecuado en todo momento.**

*Esto permite un mayor control de la herramienta eléctrica en situaciones inesperadas.*

- f) **Vístase adecuadamente. No lleve prendas sueltas o joyas. Mantenga el pelo, la ropa y los guantes alejados de las piezas móviles.**

*La ropa suelta, las joyas y el pelo largo pueden pillarse en las piezas móviles.*

- g) **Si se proporcionan dispositivos para la conexión de extracción de polvo e instalaciones de recogida, asegúrese de que están conectados y se utilizan adecuadamente.**

*La utilización de estos dispositivos puede reducir los riesgos relacionados con el polvo.*

#### 4) Utilización y mantenimiento de las herramientas eléctricas

- a) **No fuerce la herramienta eléctrica. Utilice la herramienta eléctrica correcta para su aplicación.**

*La herramienta eléctrica correcta trabajará mejor y de forma más segura si se utiliza a la velocidad para la que fue diseñada.*

- b) **No utilice la herramienta eléctrica si el interruptor no la enciende y apaga.**

*Las herramientas eléctricas que no pueden controlarse con el interruptor son peligrosas y deben repararse.*

- c) **Desconecte el enchufe de la fuente eléctrica antes de hacer ajustes, cambiar accesorios o almacenar herramientas eléctricas.**

*Estas medidas de seguridad preventivas reducen el riesgo de que la herramienta eléctrica se ponga en marcha accidentalmente.*

- d) **Guarde las herramientas eléctricas que no se utilicen para que no las cojan los niños y no permita que utilicen las herramientas eléctricas personas no familiarizadas con las mismas o con estas instrucciones.**

*Las herramientas eléctricas son peligrosas si son utilizadas por usuarios sin formación.*

- e) **Mantenimiento de las herramientas eléctricas. Compruebe si las piezas móviles están mal alineadas o unidas, si hay alguna pieza rota u otra condición que pudiera afectar al funcionamiento de las herramientas eléctricas. Si la herramienta eléctrica está dañada, llévela a reparar antes de utilizarla.**



Se producen muchos accidentes por no realizar un mantenimiento correcto de las herramientas eléctricas.

**f) Mantenga las herramientas de corte afiladas y limpias.**

Las herramientas de corte correctamente mantenidas con los bordes de corte afilados son más fáciles de controlar.

**g) Utilice la herramienta eléctrica, los accesorios y las brocas de la herramienta, etc., de acuerdo con estas instrucciones y de la manera adecuada para el tipo de herramienta eléctrica, teniendo en cuenta las condiciones laborales y el trabajo que se va a realizar.**

La utilización de la herramienta eléctrica para operaciones diferentes a pretendidas podría dar lugar a una situación peligrosa.

**5) Revisión**

**a) Lleve su herramienta a que la revise un experto cualificado que utilice sólo piezas de repuesto idénticas.**

Esto garantizará el mantenimiento de la seguridad de la herramienta eléctrica.

**PRECAUCIÓN**

Mantenga a los niños y a las personas enfermas alejadas. Cuando no se utilicen, las herramientas deben almacenarse fuera del alcance de los niños y de las personas enfermas.

**PRECAUCIONES AL USAR EL MARTILLO DEMOLEDOR**

1. Utilice protección de oídos  
La exposición al ruido puede causar daños auditivos.
2. Utilice los mangos auxiliares proporcionados con la herramienta.  
La pérdida de control puede causar daños personales.
3. No tocar la broca durante ni inmediatamente después de trabajar, puesto que se pone ardiente y puede causar quemaduras serias.
4. Antes de empezar a romper, picar o perforar en una pared, suelo o techo, comprobar cuidadosamente que no hayan objetos empotrados, tales como cables o conductos eléctricos.

**ESPECIFICACIONES**

Voltage (por áreas)*	(110V, 230V, 240V) $\sim$
Entrada	1300W*
Impacto a carga plena	1600min <sup>-1</sup>
Peso (sin cable, ni mango lateral)	11,0 kg

\*Verificar indefectiblemente los datos de la placa de características de la máquina, pues varían de acuerdo al país de destino.

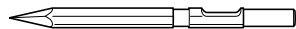
**ACCESORIOS NORMALES**

- (1) Caja ..... 1
- (2) Punta ..... 1
- (3) Mango Lateral ..... 1
- (4) Cubierta para polvo ..... 1

Los accesorios normales están sujetos a cambio sin previo aviso.

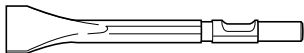
**ACCESORIOS OPCIONALES (De venta por separado)**

Para romper



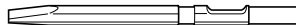
- (1) Punta  
Largo total: 300, 380, 450 mm

Cortadora de asfalto



- (1) Cargadora  
Largo total: 400 mm  
Anchura: 50, 75 mm

Excavar, ranurado y rebordes



- (1) Cortafrio  
Largo total: 300, 380, 450 mm

- Grasa A para martillo  
500 g (en una lata)  
70 g (en un tubo)  
30 g (en un tobo)

Los accesorios facultativos están sujetos a cambio sin previo aviso.

**APLICACIONES**

Romper hormigón armado, cortar o picar hormigón, hacer ranuras, cortes y colocar pilotes.

Ejemplo de aplicación:

Instalación de tubería y artículos sanitarios, instalación de maquinaria, trabajos de suministro de agua y drenaje, trabajos en interiores, instalaciones portuarias y demás trabajos propios de ingeniería civil.

**ANTES DE LA PUESTA EN MARCHA**

**1. Alimentación**

Asegurarse de que la alimentación de red que ha de ser utilizada responda a las exigencias de corriente especificadas en la placa de características del producto.

### 2. Conmutador de alimentación

Asegurarse de que el conmutador de alimentación esté en la posición OFF (desconectado). Si la clavija está conectada en la caja del enchufe mientras el conmutador de alimentación esté en posición ON (conectado) las herramientas eléctricas empezarán a trabajar inmediatamente, provocando un serio accidente.

### 3. Cable de prolongación

Cuando está alojada el área de trabajo de la red de alimentación, usar un cable de prolongación de un grosor y potencia normal suficiente. El cable de prolongación debe ser mantenido lo más corto posible.

### 4. Instalación de la cubierta para polvo (Fig. 1)

Siempre hay que instalar la cubierta para polvo en la herramienta.

Insertar la cubierta para polvo hasta que se encaja en la ranura.

### 5. Instalación de herramientas

#### PRECAUCIÓN

Para evitar accidentes, cerciórese de desconectar la alimentación y de desenchufar el cable del tomacorriente.

#### NOTA:

Cuando instale herramientas tales como puntas cargadoras, etc., cerciórese de utilizar piezas genuinas diseñadas por nuestra compañía.

- (1) Limpiar y engrasar la barrena con la grasa provista.
- (2) Deslizar la palanca de parada en la dirección de la flecha **A** y girarlo a 180°.
- (3) Girar la renura de la barrena hacia abajo e insertarla totalmente en el agujero hexagonal de la cubierta delantera. (Fig. 1)
- (3) Girar la palanca de parada y alinear la marca de la cubierta delantera con la marca de la palanca de parada para asegurar el montaje.

#### NOTA

Quitar la herramienta cambiando el orden de instalación.

### 6. Mueva el asa lateral.

El asa lateral podrá fijarse en la posición deseada, 360 grados, y también podrá fijarse en cualquier posición en sentido hacia adelante y hacia atrás.

- (1) Afloje el asa girando la empuñadura en el sentido de **A**, como se muestra en la Fig. 2.
- (2) Ajustela en una posición que facilite la operación vertical (hacia arriba y hacia abajo), como se muestra en la Fig. 3, la Fig. 4, y la Fig. 5.
- (3) Gire la empuñadura en el sentido de **B** para fijar el asa.

## FORMA DE USAR EL MARTILLO DEMOLEDOR (Fig. 6)

1. Luego de colocar la punta de la herramienta en una superficie de hormigón, disponer el interruptor en ON.

El interruptor podrá ponerse en ON si aprieta el disparador, y en OFF cuando lo suelte.

Si presiona el retén con el disparador apretado, el interruptor permanecerá en ON – lo cual resultará muy útil para la operación continua.

Para poner el interruptor en OFF, vuelva a apretar el disparador, y el retén se desactivará.

2. Utilizando el peso vacío de la máquina y sujetándola firmemente con ambas manos, usted puede controlar perfectamente el movimiento de reculada. Luego usar el martillo moderadamente, ya que al aplicar demasiada fuerza de empuje desmejorará la eficiencia de la herramienta.

## CAMBIO DE GRASA

Esta máquina es de construcción completamente sellada con aceite, para evitar que entre el polvo y que hayan fugas de lubricante. Esta unidad podrá utilizarse sin rellenarla con grasa durante mucho tiempo. Sin embargo, reemplace la grasa para prolongar la duración de servicio. Cuando se requiere cambiar la grasa, proceder como sigue.

### 1. Periodo de cambio de grasa

Usted deberá inspeccionar la grasa cuando cambie las escobillas. (Consulte el ítem 4 de la sección MANTENIMIENTO E INSPECCIÓN.)

Consultar para ello al Agente de Servicio Hitachi autorizado.

En caso de tener que cambiar la grasa por sí mismo, hágalo de acuerdo con los puntos siguientes.

### 2. Cambio de grasa

#### PRECAUCIÓN:

Antes de cambiar la grasa, desconectar el aparato y desenchufarlo del tomacorriente.

- (1) Quitar la cubierta del motor y limpiar completamente la grasa vieja interna. (Fig. 7)
- (2) Aplicar 60g (la cantidad estándar para cubrir la biela) de grasa para Martillo Eléctrico Hitachi de tipo A en el cárter.
- (3) Luego de cambiar la grasa, instalar el cárter firmemente. En este momento, no dañe ni pierda el sello de aceite.

#### NOTA:

La grasa A del Martillo Eléctrico Hitachi es del tipo de baja densidad. Cuando se acabe la grasa adquirir más a un Agente de Servicio Hitachi autorizado.

## MANTENIMIENTO E INSPECCIÓN

### PRECAUCION

Asegúrese de desconectar la alimentación y de desenchufar la clavija del tomacorriente.

### 1. Inspección d la herramienta

Ya que la utilización de una herramienta de corte embotada disminuirá la eficiencia de trabajo y podría causar desperfectos en el motor, afilar o cambiar las herramientas de corte tan pronto como se note abrasión en éstas.

### 2. Inspeccionar los tornillos de montaje

Regularmente inspeccionar todos los tornillos de montaje y asegurarse de que estén apretados firmemente. Si cualquier tornillo estuviera suelto, volver a apretarlo inmediatamente. El no hacer esto provocaría un riesgo serio.

### 3. Mantenimiento de motor

La unidad de bobinado del motor es el verdadero "corazón" de las herramientas eléctricas. Prestar el mayor cuidado y asegurarse de que el bobinado no se dañe y/o se humedezca con aceite o agua.

#### 4. Inspeccionar los carbones de contacto (Fig. 8)

El motor emplea escobillas de carbón que son partes consumibles. Cuando se gastan o están cerca del "límite de desgaste" pueden causar problemas al motor.

Al equiparse la escobilla de carbón de parada automática, el motor se detendrá automáticamente en ese momento hay que proceder a cambiar ambas escobillas de carbón por la nuevas, que tienen los mismos números de escobillas de carbón como se muestra en la figura. Además siempre hay que mantener las escobillas de carbón limpias y asegurarse de que se muevan libremente en sus porta-escobillas.

#### 5. Reemplazar el carbón de contacto

Quitar la cubierta de trasera y luego aflojar el tornillo de fijación

Aflojando la tapa de escobilla, pueden quitarse las escobillas de carbón.

Al colocar las escobillas, apretar firmemente la tapa de escobillas y recolocar la cubierta de trasera.

#### 6. Lista de repuestos

A: N°. ítem

B: N°. código

C: N°. usado

D: Observaciones

#### PRECAUCIÓN

La reparación, modificación e inspección de las herramientas eléctricas Hitachi deben ser realizadas por un Centro de Servicio Autorizado de Hitachi.

Esta lista de repuestos será de utilidad si es presentada junto con la herramienta al Centro de Servicio Autorizado de Hitachi, para solicitar la reparación o cualquier otro tipo de mantenimiento.

En el manejo y el mantenimiento de las herramientas eléctricas, se deberán observar las normas y reglamentos vigentes en cada país.

#### MODIFICACIONES

Hitachi Power Tools introduce constantemente mejoras y modificaciones para incorporar los últimos avances tecnológicos.

Por consiguiente, algunas partes (por ejemplo, números de códigos y/o diseño) pueden ser modificadas sin previo aviso.

---

## GARANTÍA

Las herramientas motorizadas de Hitachi incluye una garantía conforme al reglamento específico legal/nacional. Esta garantía no cubre los defectos o daños debidos al uso incorrecto, el abuso o el desgaste normal. En caso de reclamación, envíe la herramienta motorizada, sin desmontar y con el CERTIFICADO DE GARANTÍA que aparece al final de estas instrucciones de uso, al Centro de Servicio Autorizado de Hitachi.

---

## NOTA

Debido al programa continuo de investigación y desarrollo de HITACHI estas especificaciones están sujetas a cambio sin preaviso.

---

---

## Información sobre la vibración

Los valores medidos fueron determinados de acuerdo con EN60745.

Valor medio cuadrático ponderado típico de aceleración:  
12,0 m/s<sup>2</sup>

---

## REGRAS DE SEGURANÇA GERAL

### AVISO!

#### Leia todas as instruções

Se não seguir todas as instruções apresentadas em baixo, pode provocar um choque eléctrico, incêndio e/ou ferimentos graves.

O termo "ferramenta eléctrica" em todos os avisos indicados em baixo refere-se à sua ferramenta ligada à corrente (com fios) ou à ferramenta eléctrica a baterias (sem fios).

### GUARDE ESTAS INSTRUÇÕES

#### 1) Área de trabalho

- a) Mantenha a área de trabalho limpa e bem iluminada.

As áreas escuras e cheias de material são propícias aos acidentes.

- b) Não trabalhe com ferramentas eléctricas em ambientes explosivos, tais como na presença de líquidos inflamáveis, gases ou pó.

As ferramentas eléctricas criam faíscas que podem inflamar o pó dos fumos.

- c) Mantenha as crianças e outras pessoas afastadas quando trabalhar com uma ferramenta eléctrica.

As distrações podem fazer com que perca controlo.

#### 2) Segurança eléctrica

- a) As fichas da ferramenta eléctrica devem corresponder às tomadas.

Nunca modifique a ficha.

Não utilize fichas adaptadoras com ferramentas eléctricas ligadas à terra.

As fichas não modificadas e tomadas correspondentes reduzirão o risco de choques eléctricos.

- b) Evite contacto corporal com superfícies ligadas à terra, tais como tubos, radiadores, máquinas e frigoríficos.

Existe um risco acrescido de choque eléctrico se o seu corpo estiver ligado à terra.

- c) Não exponha ferramentas eléctricas à chuva ou condições de humidade.

A entrada de água numa ferramenta eléctrica aumentará o risco de choques eléctricos.

- d) Não abuse do fio. Nunca utilize o fio para transportar, puxar ou desligar a ferramenta eléctrica.

Mantenha o fio afastado do calor, óleo, margens afiadas ou peças em movimento.

Os fios danificados ou entrelaçados podem aumentar o risco de choques eléctricos.

- e) Quando trabalhar com uma ferramenta eléctrica no exterior, utilize uma extensão adequada para utilização exterior.

A utilização de um fio adequado para utilização no exterior reduz o risco de choques eléctricos.

#### 3) Segurança pessoal

- a) Mantenha-se alerta, esteja atento ao que está a fazer e utilize senso comum quando trabalhar com uma ferramenta eléctrica.

Não utilize uma ferramenta eléctrica quando estiver cansado ou sob a influência de drogas, álcool ou medicamentos.

Um momento de desatenção enquanto trabalha com ferramentas eléctricas pode resultar em ferimentos pessoais graves.

- b) Utilize equipamento de segurança. Utilize sempre protecção para os olhos.

O equipamento de segurança, tal como uma máscara de pó, sapatos de segurança antiderrapantes, chapéu rígido ou protecção auricular utilizados para condições adequadas reduzirá os ferimentos pessoais.

- c) Evite ligar por acidente. Certifique-se de que o interruptor está na posição de desligado antes de ligar a ferramenta.

Transportar ferramentas eléctricas com o dedo no interruptor ou ligar ferramentas que estão com o interruptor ligado é propício a acidentes.

- d) Remova qualquer chave de parafusos ou chave-inglesa de regulação antes de ligar a ferramenta.

Uma chave-inglesa ou de parafusos ligada à parte rotativa da ferramenta pode provocar ferimentos pessoais.

- e) Não se estique. Mantenha sempre o controlo e equilíbrio adequados.

Isto permite obter um melhor controlo da ferramenta em situações inesperadas.

- f) Use vestuário adequado. Não use roupas largas ou jóias. Mantenha o cabelo, roupas e luvas afastados das peças móveis.

As roupas largas, jóias ou cabelo comprido podem ser apanhados em peças móveis.

- g) Se forem fornecidos dispositivos para a ligação de extractores de pó e dispositivos de recolha, certifique-se de que estes estão ligados e são utilizados adequadamente.

A utilização destes dispositivos podem reduzir os perigos relacionados com o pó.

#### 4) Utilização da ferramenta e manutenção

- a) Não force a ferramenta eléctrica. Utilize a ferramenta correcta para a sua aplicação.

A ferramenta correcta fará o trabalho melhor e com mais segurança à velocidade para a qual foi concebida.

- b) Não utilize a ferramenta eléctrica se o interruptor não a ligar ou desligar.

Qualquer ferramenta que não possa ser controlada com o interruptor é perigosa e deve ser reparada.

- c) Desligue a ficha da rede antes de efectuar quaisquer regulações, mudar os acessórios ou guardar ferramentas eléctricas.

Tais medidas de segurança de prevenção reduzem o risco de ligar a ferramenta eléctrica acidentalmente.

- d) Guarde as ferramentas eléctricas fora do alcance de crianças e não permita que pessoas não habituadas à ferramenta eléctrica ou estas instruções trabalhem com a ferramenta.

As ferramentas eléctricas são perigosas nas mãos de utilizadores inexperientes.

- e) Efectue a manutenção de ferramentas eléctricas. Verifique a existência de desalinhamentos ou dobragens das peças móveis, quebras de peças e quaisquer outras condições que possam afectar o funcionamento das ferramentas eléctricas. Se danificada, mande reparar a ferramenta antes de utilizar.

Muitos acidentes são causados por ferramentas com má manutenção.

- f) Mantenha as ferramentas de corte afiadas e limpas.

As ferramentas de corte com uma manutenção adequada e extremidades afiadas são menos propensas a dobrar e mais fáceis de controlar.

- g) Utilize a ferramenta eléctrica, acessórios e pontas de ferramentas, etc., de acordo com estas instruções e da forma pretendida para o determinado tipo de ferramenta eléctrica, tomando em consideração as condições de trabalho e o trabalho a ser efectuado.

*A utilização de uma ferramenta eléctrica para operações diferentes das concebidas pode resultar num mau funcionamento.*

## 5) Manutenção

- a) Faça a manutenção da sua ferramenta eléctrica por um pessoal de reparação qualificado e utilize apenas peças de substituição idênticas.

*Isto garantirá que a segurança da ferramenta eléctrica é mantida.*

## AVISO

Mantenha afastadas das crianças e pessoas doentes. Quando não estiverem a ser utilizadas, as ferramentas devem ser guardadas fora do alcance de crianças e pessoas doentes.

## ESPECIFICAÇÕES

Voltagem (por áreas)*	(110V, 230V, 240V)~
Potência de entrada	1300W*
Taxa de impacto a plena potência	1600min <sup>-1</sup>
Peso (sem fio, empunhadura lateral)	11,0 kg

\* Não deixe de verificar a voltagem na placa identificadora constante do produto, pois ela está sujeita a mudanças conforme a área.

## ACESSÓRIOS-PADRÃO

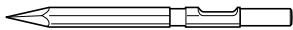
- (1) Estojo ..... 1  
 (2) Ponta macho ..... 1  
 (3) Empunhadura lateral ..... 1  
 (4) Tampa do pó ..... 1

Os acessórios-padrão estão sujeitos a mudanças sem aviso prévio.

## ACESSÓRIOS OPCIONAIS

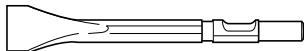
(vendidos separadamente)

- Demolidor



- (1) Ponta macho  
 Comprimento total: 300, 380, 400 mm

- Corte de asfalto



- (1) Fresa  
 Comprimento total: 400 mm  
 Largura: 50, 75 mm

## PRECAUÇÕES NO USO DO MARTELO

- Use dispositivos de protecção auditiva. A exposição ao ruído pode provocar a perda de audição.
- Utilize as empunhaduras auxiliares fornecidas com a ferramenta. A perda de controlo pode provocar lesões.
- Não toque o palhetão durante ou imediatamente depois da operação. O palhetão fica muito quente durante a operação e pode causar graves queimaduras.
- Antes de começar a quebrar, cortar ou furar paredes, chão ou teto, verifique minuciosamente se não existem cabos eléctricos ou condutos embutidos nesses locais.

- Escavar e fresar sulcos



- (1) Talhadeira  
 Comprimento total: 300, 380, 450 mm

- Lubrificante A de martelo  
 500 g (em lata)  
 70 g (em tubo)  
 30 g (em tubo)

Os acessórios opcionais estão sujeitos a mudanças sem aviso prévio.

## APLICAÇÕES

Demolições de concreto, raspagem de concreto, abertura de sulcos, corte de vergalhões e movimentação de estacas. Exemplos de aplicação: Instalação de encanamentos e fiação, instalações sanitárias, instalação de maquinaria, obras de abastecimento e escoamento de água, instalações portuárias e outras obras de engenharia civil.

## ANTES DA OPERAÇÃO

1. Fonte de energia

Certifique-se de que a fonte de energia a ser utilizada está conforme às exigências especificadas na placa identificadora do produto.

**2. Interruptor**

Certifique-se de que o interruptor está na posição desligada. Se o plugue estiver conectado a um receptáculo quando o interruptor estiver ligado, a ferramenta elétrica vai começar a operar imediatamente, podendo provocar um grave acidente.

**3. Cabo de extensão**

Quando o local de trabalho não possuir uma fonte de energia, utilize um cabo de extensão de espessura e de potência nominal suficientes. A extensão deve ser mantida tão curta quanto possível.

**4. Como instalar a tampa do pó (Fig. 1)**

Instale sempre a tampa do pó na ferramenta. Insira a tampa do pó até que fique encastrada na ranhura.

**5. Instalar as ferramentas****CUIDADO**

Para evitar acidentes, certifique-se de que desliga a ferramenta e retira a ficha da tomada.

**NOTA**

Quando utilizar ferramentas tais como pontas esféricas, cortadores, etc., certifique-se de que utilize peças originais designadas pela sua empresa.

- (1) Limpe, de seguida aplique a massa lubrificante fornecida na haste da ferramenta.
- (2) Deslize a alavanca de paragem na direcção da seta **A** e rode-a 180°.  
Rode o entalhe da haste da ferramenta para baixo e insira totalmente no orifício sextavado da tampa frontal. (Fig. 1)
- (3) Rode a alavanca de paragem e alinhe a marca da tampa dianteira com a marca da alavanca de paragem para fixar.

**NOTA:**

Remova pela ordem inversa da instalação.

**6. Mover a pega lateral**

A pega lateral pode ser fixa a qualquer posição pretendida; 360 graus e também pode ser fixa em qualquer posição na direcção para a frente e para trás.

- (1) Solte a pega rodando o punho na direcção de **A**, tal como indicado na Fig. 2.
- (2) Ajuste para uma posição em que a operação vertical (cima e baixo) pode ser facilitada tal como ilustrado na Fig. 3, Fig. 4 e Fig. 5.
- (3) Rode o punho na direcção de **B** e fixe a pega.

**COMO USAR O MARTELO (Fig. 6)**

1. Depois de pôr a ponta da ferramenta na superfície de concreto, ligue-a.  
O interruptor pode ser ligado se o gatilho for puxado e desligado quando é solto.  
Se o batente for premido enquanto o gatilho do interruptor for premido, mesmo que o dedo não esteja no gatilho, o interruptor permanece ligado - o que é conveniente para um funcionamento contínuo. Para desligar o interruptor, puxe novamente o gatilho, e o batente é desactivado.
2. Utilizando o peso da máquina e segurando firmemente o martelo demolidor com ambas as mãos, pode-se controlar eficientemente o movimento de recuo subsequente.  
Proceda num ritmo moderado, pois o uso de demasiada força vai prejudicar sua eficácia.

**TROCA DA LUBRIFICANTE**

Esta máquina é hermeticamente fechada para protegê-la contra poeira e para evitar vazamento de lubrificante. Esta máquina pode ser usada sem precisar de suplemento de lubrificante por um longo período de tempo. No entanto, troque o lubrificante para manter sua vida útil. Para trocar o lubrificante, proceda da forma abaixo descrita.

**1. Época para a troca de lubrificante**

Ao substituir a escova de carvão, deve-se observar o lubrificante. (Veja item 4 na seção MANUTENÇÃO E INSPEÇÃO.) Pergunte sobre a troca de lubrificante na Oficina Autorizada Hitachi mais próxima. Caso você necessite trocar o lubrificante por si mesmo, siga os passos abaixo mencionados.

**2. Como trocar o lubrificante****CUIDADO:**

Antes de trocar o lubrificante, desligue o motor e retire o plugue da tomada.

- (1) Retire a proteção da manivela e limpe todo o velho lubrificante que está dentro. (Fig. 7)
- (2) Coloque 60 g (o volume padrão para cobrir a vareta de conexão) do Lubrificante A de Martelo Elétrico da Hitachi na caixa da manivela.
- (3) Depois de trocar o lubrificante, instale a proteção da manivela. Nesta altura, não danifique ou solte o retentor de óleo.

**NOTA:**

O lubrificante A de Martelo Elétrico da Hitachi é do tipo de baixa viscosidade. Quando o lubrificante tiver sido consumido, adquira mais numa Oficina Autorizada da Hitachi.

**MANUTENÇÃO E INSPEÇÃO****ATENÇÃO**

Para evitar problemas graves, certifique-se de desligar a ferramenta e desconectar o plugue da tomada.

**1. Inspeção da ferramenta**

Como a utilização de uma ferramenta sem fio diminui sua eficácia e pode provocar mau funcionamento do motor, afie ou substitua-a tão logo note seu desgaste.

**2. Inspeção dos parafusos de montagem**

Inspeccione regularmente todos os parafusos de montagem e se certifique de que estão corretamente apertados. Se algum deles estiver frouxo, reaperte-o imediatamente. Caso isso não seja feito, pode resultar em perigo grave.

**3. Manutenção do motor**

A unidade de enrolamento do motor é o verdadeiro "coração" da ferramenta elétrica. Cuide bem para assegurar que o enrolamento não se danifique e/ou se molhe com óleo ou água.

**4. Inspeção das escovas de carvão (Fig. 8)**

O motor emprega escovas de carvão que são peças de consumo.

Quando elas estiverem gastas ou quase chegando ao "limite de uso", podem causar problemas no motor. Quando o motor estiver equipado com uma escova de carvão de parada automática, ele pára automaticamente.

Nesse momento, troque ambas as escovas de carvão por novas que possuam o mesmo número mostrado

na ilustração. Além disso, mantenha sempre limpas as escovas de carvão e certifique-se de que elas deslizem livremente nos suportes de escova.

### 5. Troca das escovas de carvão:

Desaperte o parafuso de ajuste e retire a proteção do cabo. Retire os protetores da escova e as escovas de carvão. Depois de trocar as escovas de carvão, não esqueça de apertar bem os protetores da escova e instalar a proteção do cabo.

### 6. Lista de peças para conserto

- A: Item N°
- B: Código N°
- C: N° Usado
- D: Observações

### CAUIDADO:

Consertos, modificações e inspeção de Ferramentas Elétricas da Hitachi devem ser realizados por uma Oficina Autorizada da Hitachi.

Esta lista de peças pode ser útil se apresentada com a ferramenta na Oficina Autorizada da Hitachi ao solicitar conserto ou manutenção.

Na operação e na manutenção das ferramentas elétricas, devem-se observar as normas de segurança e os padrões prescritos por cada país.

### MODIFICAÇÃO:

As Ferramentas Elétricas da Hitachi estão sempre sendo aperfeiçoadas e modificadas para incorporar os mais recentes avanços tecnológicos.

Dessa forma, algumas peças (isto é, números de código e/ ou design) podem mudar sem aviso prévio.

---

## GARANTIA

---

Garantimos que a Hitachi Power Tools obedece às respectivas normas específicas estatutárias/de país. Esta garantia não cobre avarias ou danos derivados de má utilização, abuso ou desgaste normal. Em caso de queixa, envie a Ferramenta, não desmontada, juntamente com o CERTIFICADO DE GARANTIA que se encontra no fundo destas instruções de utilização, para um Centro de Serviço Autorizado Hitachi.

---

### NOTA

Devido ao contínuo programa de pesquisa e desenvolvimento da HITACHI, as especificações aqui contidas estão sujeitas a mudanças sem aviso prévio.

---

---

### Informação a respeito de vibração

Os valores medidos foram determinados de acordo com EN60745.

Valor típico da aceleração média ponderada da raiz quadrada: 12,0 m/s<sup>2</sup>.

---

---

## ΓΕΝΙΚΑ ΜΕΤΡΑ ΑΣΦΑΛΕΙΑΣ

### ΠΡΟΣΟΧΗ!

#### Διαβάστε όλες τις οδηγίες

Αν δεν τηρηθούν όλες οι οδηγίες που αναφέρονται παρακάτω, ενδέχεται να προκληθεί ηλεκτροπληξία, πυρκαγιά ή/και σοβαρός τραυματισμός.

Ο όρος “ηλεκτρικό εργαλείο” σε όλες τις προειδοποιήσεις που αναφέρονται παρακάτω αναφέρεται στο ηλεκτρικό εργαλείο που λειτουργεί με το ρεύμα του ηλεκτρικού δικτύου (με καλώδιο) ή στο ηλεκτρικό εργαλείο που λειτουργεί με μπαταρία (χωρίς καλώδιο).

### ΦΥΛΑΞΤΕ ΑΥΤΕΣ ΤΙΣ ΟΔΗΓΙΕΣ

#### 1) Χώρος εργασίας

- Διατηρείτε το χώρο εργασίας καθαρό και καλά φωτισμένο.**  
Οι ακατάστατοι και οι σκοτεινοί χώροι έχουν την τάση να προκαλούν ατυχήματα.
- Μη χρησιμοποιείτε τα ηλεκτρικά εργαλεία σε εκρηκτικές ατμόσφαιρες, όπως όταν είναι παρόντα εύφλεκτα υγρά, αέρια ή σκόνη.**  
Τα ηλεκτρικά εργαλεία δημιουργούν σπινθήρες οι οποίοι ενδέχεται να προκαλέσουν την ανάφλεξη αυτών των υλικών.
- Κρατήστε τα παιδιά και τους παρευρισκόμενους μακριά όταν χρησιμοποιείτε ένα ηλεκτρικό εργαλείο.**  
Αν αποσπαστεί η προσοχή σας, υπάρχει κίνδυνος να χάσετε τον έλεγχο.

#### 2) Ηλεκτρική ασφάλεια

- Τα φως των ηλεκτρικών εργαλείων πρέπει να είναι κατάλληλα για τις πρίζες.**  
Μην τροποποιήσετε ποτέ το φως με οποιονδήποτε τρόπο.  
Μη χρησιμοποιείτε φως προσαρμογής με γειωμένα ηλεκτρικά εργαλεία.  
Τα μη τροποποιημένα φως και οι κατάλληλες πρίζες μειώνουν τον κίνδυνο ηλεκτροπληξίας.
- Αποφύγετε τη σωματική επαφή με γειωμένες επιφάνειες όπως σωλήνες, θερμάστρες, μαγειρικές συσκευές και ψυγεία.**  
Υπάρχει αυξημένος κίνδυνος ηλεκτροπληξίας όταν το σώμα σας είναι γειωμένο.
- Μην εκθέτετε τα ηλεκτρικά εργαλεία στη βροχή ή σε συνθήκες υγρασίας.**  
Το νερό που εισέρχεται σε ένα ηλεκτρικό εργαλείο αυξάνει τον κίνδυνο ηλεκτροπληξίας.
- Μην ασκείτε δύναμη στο καλώδιο. Μη χρησιμοποιείτε ποτέ το καλώδιο για να μεταφέρετε, να τραβήξετε ή να βγάλετε από την πρίζα το ηλεκτρικό εργαλείο.**  
Κρατήστε το καλώδιο μακριά από θερμότητα, λάδι, κοφτερές γωνίες και κινούμενα μέρη.  
Τα κατεστραμμένα ή μπερδεμένα καλώδια αυξάνουν τον κίνδυνο ηλεκτροπληξίας.
- Όταν χρησιμοποιείτε το εργαλείο σε εξωτερικό χώρο, χρησιμοποιήστε καλώδιο προέκτασης που προορίζεται για χρήση σε εξωτερικό χώρο.**  
Η χρήση ενός καλωδίου κατάλληλου για εξωτερικό χώρο μειώνει τον κίνδυνο ηλεκτροπληξίας.

#### 3) Προσωπική ασφάλεια

- Να είστε σε ετοιμότητα, να βλέπετε αυτό που κάνετε και να χρησιμοποιείτε την κοινή λογική όταν χρησιμοποιείτε ένα ηλεκτρικό εργαλείο.**  
Μη χρησιμοποιείτε ηλεκτρικά εργαλεία όταν είστε κουρασμένοι ή υπό την επίδραση ναρκωτικών ουσιών, οινοπνεύματος ή φαρμάκων.  
Μια στιγμή απροσεξίας κατά τη χρήση ενός

ηλεκτρικού εργαλείου μπορεί να προκαλέσει σοβαρό προσωπικό τραυματισμό.

- Χρησιμοποιείτε εξοπλισμό ασφαλείας, Να φοράτε πάντοτε προστατευτικά γυαλιά για τα μάτια.**  
Εξοπλισμός ασφαλείας όπως μάσκα για τη σκόνη, αντιολισθητικά υποδήματα, σκληρό κάλυμμα κεφαλής ή προστατευτικά ακοής που χρησιμοποιούνται στις αντίστοιχες συνθήκες μειώνουν τις πιθανότητες τραυματισμού.
  - Να αποφεύγετε την κατά λάθος έναρξη λειτουργίας. Να βεβαιώνετε ότι ο διακόπτης είναι στην κλειστή θέση (off) πριν τοποθετήσετε το φως στην πρίζα.**  
Η μεταφορά ηλεκτρικών εργαλείων με το δάχτυλο στο διακόπτη λειτουργίας ή τη σύνδεση ηλεκτρικών εργαλείων στο ρεύμα με το διακόπτη ανοιχτό αυξάνει τις πιθανότητες ατυχήματος.
  - Να αφαιρέσει τυχόν κλειδιά ρυθμιζόμενου ανοίγματος ή τα απλά κλειδιά πριν θέσετε σε λειτουργία το ηλεκτρικό εργαλείο.**  
Ένα απλό κλειδί ή ένα κλειδί ρυθμιζόμενου ανοίγματος που είναι προσαρτημένο σε περιστρεφόμενο εξάρτημα του ηλεκτρικού εργαλείου μπορεί να προκαλέσει προσωπικό τραυματισμό.
  - Μην τεντώνετε. Να διατηρείτε πάντοτε το κατάλληλο πάτημα και την ισορροπία σας.**  
Με αυτόν τον τρόπο μπορείτε να ελέγχετε καλύτερα το ηλεκτρικό εργαλείο σε μη αναμενόμενες καταστάσεις.
  - Να είστε ντυμένοι κατάλληλα. Μη φοράτε φαρδιά ρούχα ή κοσμήματα. Να κρατάτε τα μαλλιά σας, τα ρούχα σας και τα γάντια σας μακριά από κινούμενα μέρη.**  
Τα φαρδιά ρούχα, τα κοσμήματα και τα μακριά μαλλιά μπορεί να πιαστούν σε κινούμενα μέρη.
  - Αν παρέχονται εξαρτήματα για τη σύνδεση συσκευών εξαγωγής και συλλογής σκόνης, να βεβαιώνετε ότι είναι συνδεδεμένα και χρησιμοποιούνται με το σωστό τρόπο.**  
Η χρήση αυτών των συσκευών μπορεί να μειώσει τους κινδύνους που σχετίζονται με τη σκόνη.
- 4) Χρήση και φροντίδα ηλεκτρικών εργαλείων
- Μην ασκείτε δύναμη στο ηλεκτρικό εργαλείο. Να χρησιμοποιείτε το ηλεκτρικό εργαλείο που είναι κατάλληλο για το είδος της εργασίας που εκτελείτε.**  
Το κατάλληλο ηλεκτρικό εργαλείο θα εκτελέσει την εργασία καλύτερα και με μεγαλύτερη ασφάλεια με τον τρόπο που σχεδιάστηκε.
  - Μη χρησιμοποιήσετε το ηλεκτρικό εργαλείο αν ο διακόπτης λειτουργίας δεν ανοίγει και δεν κλείνει.**  
Ένα ηλεκτρικό εργαλείο που δεν ελέγχεται από το διακόπτη λειτουργίας είναι επικίνδυνο και πρέπει να επισκευαστεί.
  - Βγάτε το φως από την πρίζα πριν κάνετε οποιοδήποτε ρυθμίσεις, αλλάξτε εξάρτημα ή αποθηκεύσετε το ηλεκτρικό εργαλείο.**  
Αυτά τα προληπτικά μέτρα ασφαλείας μειώνουν τον κίνδυνο να ξεκινήσει το ηλεκτρικό εργαλείο κατά λάθος.
  - Αποθηκεύετε τα εργαλεία που δεν χρησιμοποιείτε μακριά από παιδιά και μην αφήνετε τα άτομα που δεν είναι εξοικειωμένα με το ηλεκτρικό εργαλείο ή με αυτές τις οδηγίες να χρησιμοποιούν το ηλεκτρικό εργαλείο.**  
Τα ηλεκτρικά εργαλεία είναι επικίνδυνα στα χέρια μη εκπαιδευμένων ατόμων.
  - Συντηρείτε τα ηλεκτρικά εργαλεία. Να ελέγχετε την ευθυγράμμιση τους ή το μπλοκάρισμα των κινούμενων μερών, τη θραύση των εξαρτημάτων και οποιαδήποτε άλλη κατάσταση που ενδέχεται να**



επηρεάσει τη λειτουργία του ηλεκτρικού εργαλείου.

Σε περίπτωση θλάθης, το ηλεκτρικό εργαλείο πρέπει να επισκευαστεί πριν χρησιμοποιηθεί.

Πολλά ατυχήματα προκαλούνται από ηλεκτρικά εργαλεία που δεν έχουν συντηρηθεί σωστά.

f) Διατηρείτε τα εργαλεία κοπής κοφτερά και καθαρά.

Τα κατάλληλα συντηρημένα εργαλεία κοπής με κοφτερές γωνίες μπλοκάρουν πιο δύσκολα και ελέγχονται πιο εύκολα.

g) Χρησιμοποιείτε το ηλεκτρικό εργαλείο, τα εξαρτήματα, τις μύτες των εργαλείων κλπ., σύμφωνα με αυτές τις οδηγίες και με τρόπο που είναι κατάλληλος για τον συγκεκριμένο τύπο ηλεκτρικού εργαλείου, λαμβάνοντας υπόψη τις συνθήκες εργασίας και την εργασία που πρόκειται να εκτελεστεί.

Η χρήση του ηλεκτρικού εργαλείου σε λειτουργίες διαφορετικές από εκείνες για τις οποίες προορίζεται μπορεί να δημιουργήσει επικίνδυνες καταστάσεις.

5) Σέρβις

a) Να δίνετε το ηλεκτρικό εργαλείο για σέρβις σε κατάλληλα εκπαιδευμένα άτομα και να χρησιμοποιείτε μόνο γνήσια ανταλλακτικά.

Με αυτόν τον τρόπο είστε σίγουροι για την ασφάλεια του ηλεκτρικού εργαλείου.

## ΠΡΟΦΥΛΑΞΗ

Μακριά από τα παιδιά και τους αναπήρους.

Όταν δεν χρησιμοποιούνται, τα εργαλεία πρέπει να φυλάσσονται μακριά από τα παιδιά και τους αναπήρους.

## ΠΡΟΦΥΛΑΚΤΙΚΑ ΜΕΤΡΑ ΠΑΝΩ ΣΤΗ ΧΡΗΣΗ ΤΟΥ ΚΡΟΥΣΤΙΚΟΥ

- Φοράτε ωτοασπίδες  
Η έκθεση στο θόρυβο μπορεί να προκαλέσει απώλεια της ακοής.
- Χρησιμοποιείτε τις βοηθητικές λαβές που παρέχονται με το εργαλείο.  
Η απώλεια ελέγχου μπορεί να προκαλέσει τραυματισμό.
- Μην αγκίζετε την λεπίδα κατά την διάρκεια ή αμέσως μετά το τέλος της λειτουργίας. Η λεπίδα γίνεται πολύ ζεστή κατά τη λειτουργία και μπορεί να προκαλέσει σοβαρά εγκαύματα.
- Πριν αρχίσετε τη θραύση, το κοπιδίσμα ή το τρύπημα του τοίχου, του δαπέδου ή της οροφής, επιβεβαιώστε καλά ότι δεν έχουν τοποθετηθεί μέσα αντικείμενα όμοια με ηλεκτρικά καλώδια ή αγωγοί

## ΤΕΧΝΙΚΑ ΧΑΡΑΚΤΗΡΙΣΤΙΚΑ

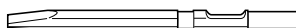
Τάση (ανά περιοχές)*	(110V, 230V, 240V) ~
Ισχύς εισόδου	1300W*
Ταχύτητα Κρούσης Πλήρους Φορτίου	1600min <sup>-1</sup>
Βάρος (χωρίς καλώδιο, πλευρική λαβή)	11,0 kg

\* Βεβαιωθείτε να ελέγξετε την πινακίδα στο προϊόν επειδή υπόκεινται σε αλλαγή σε εξάρτηση από την περιοχή.

## ΚΑΝΟΝΙΚΑ ΕΞΑΡΤΗΜΑΤΑ

- Θήκη ..... 1
  - Κύρια Λεπίδα ..... 1
  - Πλευρική Λαβή ..... 1
  - Κάλυμμα σκόνης ..... 1
- Τα κανονικά εξαρτήματα μπορούν να αλλάξουν χωρίς προειδοποίηση.

- Σκάψιμο αυλακιού και χείλωμα



- (1) Σμίλη κοπής εν ψυχρό  
Συνολικό μήκος: 300, 380, 450 χιλ

- Γράσο Κρουστικού Α  
500 γρ (σε κουτί)  
70 γρ (σε σωληνάριο)  
30 γρ (σε σωληνάριο)

Τα προαιρετικά εξαρτήματα υπόκεινται σε αλλαγή χωρίς προειδοποίηση.

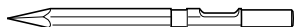
## ΕΦΑΡΜΟΓΕΣ

Σπάσιμο τσιμέντου, σμίλευση τσιμέντου, αυλάκωση, κοπή ράβδων και τοποθέτηση πασσάλων.

Παραδείγματα εφαρμογών:

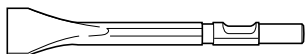
Τοποθέτηση σωληνώσεων και καλωδίων, τοποθέτηση υγειονομικών εγκαταστάσεων, εγκατάσταση μηχανημάτων, εργασίες παροχής νερού και εγκατάστασης αποχετεύσεων, εσωτερικές εργασίες, εγκαταστάσεις λιμανιών και άλλες οικοδομικές εργασίες.

- Κατεδάφιση



- (1) Κύρια Λεπίδα  
Συνολικό Μήκος: 300, 380, 450 χιλ

- Κόψιμο Ασφάλτου



- (1) Κόφτης  
Ολικό μήκος: 400 mm  
Πλάτος: 50, 75 mm

**ΠΡΙΝ ΤΗ ΛΕΙΤΟΥΡΓΙΑ****1. Πηγή ρεύματος**

Βεβαιωθείτε ότι η πηγή ρεύματος που πρόκειται να χρησιμοποιηθεί είναι εναρμονισμένη με τις απαιτήσεις σε ρεύμα που αναφέρεται στην πινακίδα του εργαλείου.

**2. Διακόπτης ρεύματος**

Βεβαιωθείτε ότι ο διακόπτης ρεύματος βρίσκεται στη θέση OFF. Αν το βίσμα είναι στη μπρίζα καθώς ο διακόπτης ρεύματος βρίσκεται στο ON, το εργαλείο θα αρχίσει να λειτουργεί αμέσως, με πιθανότητα πρόκλησης σοβαρού ατυχήματος.

**3. Καλώδιο προέκτασης**

Όταν ο χώρος εργασίας βρίσκεται μακριά από την παροχή ρεύματος, χρησιμοποιήστε ένα καλώδιο προέκτασης με κατάλληλο πάχος και ικανότητα μεταφοράς ρεύματος. Το καλώδιο προέκτασης πρέπει να είναι τόσο κοντό όσο είναι πρακτικά δυνατό.

**4. Τοποθέτηση καλύμματος σκόνης (Εικ. 1)**

Να τοποθετείτε πάντα το κάλυμμα σκόνης στο εργαλείο.

Εισάγετε το κάλυμμα σκόνης μέσα στην εγκοπή μέχρι να βρεθεί στο ίδιο επίπεδο με αυτήν.

**5. Τοποθέτηση εργαλείων ΠΡΟΣΟΧΗ**

Για να αποφύγετε τα ατυχήματα, βεβαιωθείτε ότι κλείνετε τον διακόπτη (OFF) και αποσυνδέετε το βύσμα από την υποδοχή.

**ΣΗΜΕΙΩΣΗ:**

Όταν χρησιμοποιείτε εργαλεία όπως ισοπεδωτές (bull points), κόφτες κ.λπ., βεβαιωθείτε ότι χρησιμοποιείτε τα αυθεντικά εξαρτήματα που προβάλλονται από την εταιρεία μας.

- (1) Καθαρίστε και στη συνέχεια, αλείψτε το στέλεχος του εργαλείου με το γράσο που διατίθεται.
- (2) Τραβήξτε τον μοχλό ακινητοποίησης κατά την κατεύθυνση του βέλους **A** και περιστρέψτε τον 180°.

Περιστρέψτε την εγκοπή του στελέχους του εργαλείου προς τα κάτω και εισάγετέ την πλήρως, μέσα στην εξαγωνική οπή του μπροστινού καλύμματος. (Εικ. 1)

- (3) Περιστρέψτε τον μοχλό ακινητοποίησης και για να τον ασφαλίσετε, ευθυγραμμίστε το σημάδι του μπροστινού καλύμματος με το σημάδι του μοχλού ακινητοποίησης.

**ΣΗΜΕΙΩΣΗ:**

Αφαιρέστε με αντίστροφη σειρά σε σχέση με την τοποθέτησή.

**6. Μετακινήστε την πλευρική χειρολαβή**

Η πλευρική χειρολαβή μπορεί να σταθεροποιηθεί σε οποιαδήποτε επιθυμητή θέση, 360 μοίρες, ενώ μπορεί επίσης να σταθεροποιηθεί σε οποιαδήποτε θέση στην κατεύθυνση μπρος-πίσω.

- (1) Χαλαρώστε τη χειρολαβή περιστρέφοντάς την κατά την κατεύθυνση του βέλους **A**, όπως φαίνεται στο Εικ. 2.
- (2) Προσαρμόστε την σε μια θέση όπου διευκολύνεται η κατακόρυφη (πάνω και κάτω) λειτουργία, όπως φαίνεται στο Εικ. 3, στο Εικ. 4 και στο Εικ. 5.
- (3) Περιστρέψτε τη λαβή κατά την κατεύθυνση του βέλους **B** και σταθεροποιήστε τη χειρολαβή.

**ΠΩΣ ΝΑ ΧΡΗΣΙΜΟΠΟΙΗΣΕΤΕ ΤΟ ΚΡΟΥΣΤΙΚΟ (Εικ. 6)**

1. Αφότου τοποθετήσετε την κορυφή του εργαλείου πάνω στην επιφάνεια του ταϊμέντου, θέστε το σε λειτουργία.

Ο διακόπτης ανοίγει (ON) όταν τραβηχτεί η σκανδάλη και κλείνει (OFF) όταν απελευθερωθεί. Εάν πιέσετε τον αναστολέα ενώ είναι τραβηγμένη η σκανδάλη του διακόπτη, ακόμα και εάν το δάχτυλό σας έχει απελευθερωθεί από τη σκανδάλη, ο διακόπτης παραμένει ανοιχτός (ON) – αυτό είναι βολικό για διαρκή λειτουργία.

- Για να κλείσετε τον διακόπτη (OFF), τραβήξτε ξανά τη σκανδάλη και στη συνέχεια, βγαίνει ο αναστολέας.
2. Χρησιμοποιώντας το καθαρό βάρος του μηχανήματος και κρατώντας σταθερά το κρουστικό με τα δυο σας χέρια, μπορείτε να ελέγξετε αποτελεσματικά την επακόλουθη κίνηση οπισθοδρόμησης. Ακολουθήστε ένα μέτρο ρυθμό εργασίας, η χρησιμοποίηση υπερβολικής δύναμης θα ελαττώσει την αποδοτικότητα.

**ΑΝΤΙΚΑΤΑΣΤΑΣΗ ΓΡΑΣΟΥ**

Αυτό το μηχάνημα έχει πλήρως αεροστεγή κατασκευή για την προστασία ενάντια στη σκόνη και την αποφυγή διαρροής του λιπαντικού. Αυτό το μηχάνημα μπορεί να χρησιμοποιηθεί χωρίς την προσθήκη λιπαντικού για παρατεταμένο χρονικό διάστημα. Όμως αντικαταστήστε το γράσο για να διατηρήσετε τη διάρκεια ζωής του μηχανήματος. Αντικαταστήστε το γράσο όπως περιγράφεται παρακάτω.

**1. Χρονική Διάρκεια Αντικατάστασης του Γράσου**

Πρέπει να ελέγχετε το γράσο όταν αντικαθιστάτε τα καρβουνάκια. (Δείτε το αντικείμενο 4 στο τμήμα ΣΥΝΤΗΡΗΣΗ ΚΑΙ ΕΠΙΘΕΩΡΗΣΗ.) Ρωτήστε για την αντικατάσταση του γράσου στο κοντινότερο εξουσιοδοτημένο Κέντρο Εξυπηρέτησης της Hitachi.

Στην περίπτωση που θα πρέπει να αντικαταστήσετε το γράσο μόνοι σας, παρακαλώ ακολουθήστε τα παρακάτω σημεία.

**2. Πώς να αντικαταστήσετε το γράσο ΠΡΟΣΟΧΗ:**

Πριν την αντικατάσταση του γράσου κλείστε την παροχή ηλεκτρικού ρεύματος και βγάλτε το βίσμα από την μπρίζα.

- (1) Αφαιρέστε το κάλυμμα του στροφάλου και σκουπίστε το παλιό γράσο από μέσα (Εικ. 7)
- (2) Βάλτε 60 γρ. (ο κανονικός όγκος για να καλυφθεί η συνδετική ράβδος) Γράσου Ηλεκτρικού Κρουστικού Α της Hitachi στη θήκη του στροφάλου.
- (3) Μετά την αντικατάσταση του γράσου, τοποθετήστε με ασφάλεια το κάλυμμα του στροφάλου. Αυτήν τη φορά, μην προξενήσετε φθορές και μην χαλαρώσετε την τιμομύξα λαδιού.

**ΣΗΜΕΙΩΣΗ:**

Το Γράσο Ηλεκτρικού Κρουστικού Α της Hitachi είναι τύπου χαμηλής ρευστότητας. Όταν το γράσο καταναλωθεί αγοράστε καινούργιο από ένα εξουσιοδοτημένο Κέντρο Εξυπηρέτησης της Hitachi.

## ΣΥΝΤΗΡΗΣΗ ΚΑΙ ΕΛΕΓΧΟΣ

### ΠΡΟΣΟΧΗ

Βεβαιωθείτε να κλείσετε το ρεύμα και να αποσυνδέσετε το βύσμα από την πρίζα για να αποφύγετε ένα σοβαρό πρόβλημα.

#### 1. Έλεγχος εργαλείου

Επειδή η χρήση ενός αμβλύ εργαλείου θα ελαττώσει την απόδοση και θα προκαλέσει την πιθανή δυσλειτουργία του μοτέρ, ακονίστε ή αντικαταστήστε το εργαλείο αμέσως όταν διαπιστωθεί η φθορά.

#### 2. Έλεγχος των βιδών στερέωσης

Η περιέλιξη της μονάδα του μοτέρ είναι στερέωσης και βεβαιωθείτε ότι είναι κατάλληλα σφιγμένες. Στην περίπτωση που χαλαρώσει οποιαδήποτε βίδα σφίξτε την ξανά αμέσως. Αν δεν το κάνετε αυτό μπορεί να έχει ως αποτέλεσμα το σοβαρό τραυματισμό.

#### 3. Συντήρηση του μοτέρ

Η περιέλιξη της μονάδα του μοτέρ είναι η καρδιά του ηλεκτρικού εργαλείου. Δώστε μεγάλη προσοχή για να σιγουρευτείτε ότι η περιέλιξη δεν θα πάθει ζημιά και η θα βρεχθεί με λάδι ή νερό.

#### 4. Έλεγχος στα καρβουνάκια (Εικ. 8)

Το Μοτέρ χρησιμοποιεί καρβουνάκια τα οποία είναι αναλώσιμα μέρη. Όταν φθαρούν ή όταν φθάσουν κοντά στο "όριο φθοράς", μπορεί να προκληθεί πρόβλημα στο μοτέρ. Όταν παρασχεθεί ένα καρβουνάκι αυτόματης διακοπής, το μοτέρ θα σταματήσει αυτόματα.

Σε αυτή τη χρονική στιγμή, αντικαταστήστε και τα δύο καρβουνάκια με καινούργια τα οποία έχουν τους ίδιους Αριθμούς άνθρακα που φαίνονται στην εικόνα. Επιπρόσθετα, πάντοτε κρατάτε τα καρβουνάκια καθαρά και εξασφαλίστε ότι ολισθαίνουν ελεύθερα ανάμεσα στις θήκες.

#### 5. Αντικατάσταση των καρβουνακίων:

Χαλαρώστε την κοντραβίδα και αφαιρέστε το οπίσθιο κάλυμμα. Αφαιρέστε το το καπάκι των καρβουνακίων και τα καρβουνάκια. Μετά την αντικατάσταση των καρβουνακίων μην ξεχάσετε να σφίξετε με ασφάλεια το καπάκι των καρβουνακίων και να τοποθετήσετε το οπίσθιο κάλυμμα.

#### 6. Λίστα συντήρησης των μερών

- A: Αρ. Αντικειμένου
- B: Αρ. Κωδικού
- C: Αρ. που χρησιμοποιήθηκε
- D: Παρατηρήσεις

### ΠΡΟΣΟΧΗ

Η επισκευή, η τροποποίηση και ο έλεγχος των Ηλεκτρικών Εργαλείων Hitachi πρέπει να γίνεται από ένα Εξουσιοδοτημένο κέντρο σέρβις της Hitachi.

Αυτή η Λίστα των Μερών θα είναι χρήσιμη αν παρουσιαστεί μαζί με το εργαλείο στο εξουσιοδοτημένο Κέντρο Σέρβις της Hitachi όταν ζητάτε επισκευή ή κάποια άλλη συντήρηση.

Κατά τον έλεγχο και τη συντήρηση των ηλεκτρικών εργαλείων, οι κανόνες ασφαλείας και οι κανονισμοί που υπάρχουν σε κάθε χώρα πρέπει να ακολουθούνται.

### ΤΡΟΠΟΠΟΙΗΣΗ

Τα Ηλεκτρικά Εργαλεία Hitachi βελτιώνονται συνεχώς και τροποποιούνται για να συμπεριλάβουν τις τελευταίες τεχνολογικές προόδους.

Κατά συνέπεια, ορισμένα τμήματα (δηλ. κωδικοί αριθμοί και / ή σχεδιασμός) μπορούν να αλλάξουν χωρίς προηγούμενη ειδοποίηση.

## ΕΓΓΥΗΣΗ

Εγγυώμαστε τα εργαλεία Hitachi Power Tools σύμφωνα με τη νομοθεσία και τους κανονισμούς ανά χώρα. Η παρούσα εγγύηση δεν καλύπτει ελαττώματα ή ζημιές λόγω κακής χρήσης, κακοποίησης ή φυσιολογικής φθοράς. Σε περίπτωση παραπόνων παρακαλούμε αποστείλετε το Power Tool χωρίς να το αποσυναρμολογήσετε μαζί με το ΠΙΣΤΟΠΟΙΗΤΙΚΟ ΕΓΓΥΗΣΗΣ το οποίο βρίσκεται στο τέλος των οδηγιών αυτών, σε Εξουσιοδοτημένο Κέντρο Επισκευής της Hitachi.

## ΣΗΜΕΙΩΣΗ

Εξαιτίας του συνεχιζόμενου προγράμματος έρευνας και ανάπτυξης της Hitachi τα τεχνικά χαρακτηριστικά που εδώ αναφέρονται μπορούν να αλλάξουν χωρίς προηγούμενη ειδοποίηση.

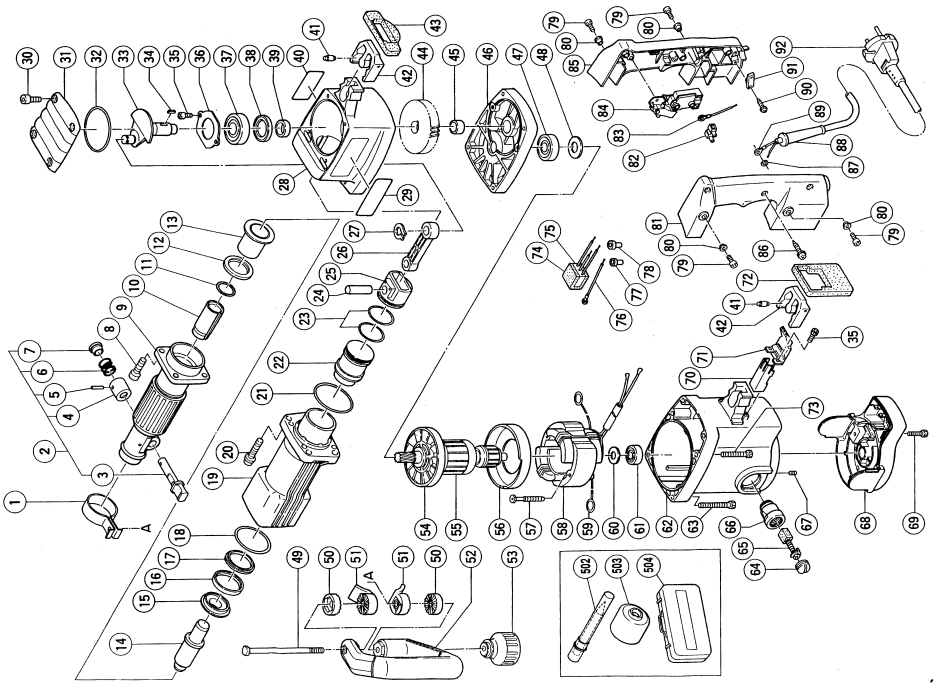
## Πληροφορίες που αφορούν την εκπεμπόμενη

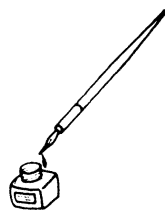
Οι τιμές μετρήθηκαν σύμφωνα με το EN60745.

Μια τυπική τιμή ριζας μέσης τετραγωνικής επιτάχυνσης: 12,0 m/s<sup>2</sup>

A	B	C	D
54	996-370	1	110V-115V "54"
55	1 360-486C	1	230V "54"
55	2 360-486E	1	240V "54"
55	3 360-486F	1	
56	305-610	1	
57	953-121	2	D5×50
58	1 340-430C	1	110V "59"
58	2 340-430E	1	230V "59"
58	3 340-430F	1	240V "59"
59	945-932	2	
60	944-954	1	
61	620-1DD	1	6201DDCMPS2L
62	317-128	1	"66, 67"
63	301-567	4	M6×55
64	940-540	2	
65	999-074	2	
66	956-984	2	
67	938-477	2	M5×8
68	317-086	1	
69	317-245	2	M5×22
70	317-099	1	
71	310-424	1	
72	317-102	1	
73	966-940	2	M6×45
74	317-492	1	
75	994-273	1	
76	990-861	1	
77	959-140	1	50091
78	959-141	1	50092
79	991-690	4	M5×12
80	991-711	4	
81	317-097	1	
82	938-307	1	
83	981-974	1	
84	306-143	1	
85	317-096	1	
86	307-028	3	D4×25
87	949-423	1	
88	938-051	1	D10.1
88	2 953-327	1	D8.8
89	1 992-810	1	"AUS, GBR (110V)"
89	2 980-063	2	D4×16
90	984-750	2	"SUI"
91	1 960-266	1	"AUS"
91	2 981-987Z	1	"GBR (230V)"
92	500-390Z	1	"AUS"
92	500-446Z	1	"GBR (230V)"
92	3 500-408Z	1	"AUS"
92	4 500-465Z	1	"GBR (110V)"
92	5 500-391Z	1	"SUI"
502	986-947	1	300MM
503	985-468	1	
504	317-125	1	

A	B	C	D
1	317-104	1	
2	310-891	1	"3-7"
3	302-095	1	
4	993-241	1	
5	943-364	1	D4×20
6	302-096	1	
7	993-243	1	
8	985-479	4	M8×25
9	319-109	1	"10"
10	319-110	1	
11	872-47	1	S-26
12	317-094	1	
13	317-092	1	
14	319-111	1	
15	317-091	1	
16	317-093	1	
17	317-095	1	
18	317-119	1	S-56
19	317-085	1	
20	990-083	4	M8×35
21	956-996	1	AS-60
22	301-510	1	
23	985-454	2	FPM810
24	301-509	1	
25	317-084	1	
26	317-082	1	
27	939-543	1	S-26
28	317-083	1	
29		1	
30	990-079	4	M5×16
31	317-079	1	
32	993-195	1	
33	317-078	1	
34	940-533	1	3×3×10
35	984-509	4	M5×14
36	985-443	1	
37	620-4DD	1	6204DDCMPS2L
38	995-403	1	
39	995-402	1	
40		1	
41	310-124	8	
42	310-123	2	
43	317-101	1	
44	317-080	1	BK1512
45	985-442	1	"45"
46	317-081	1	6203DDCMPS2L
47	620-3DD	1	
48	992-841	1	M8
49	317-107	1	
50	317-106	2	
51	317-105	2	
52	317-103	1	"1, 49-51, 53"
53	317-108	1	





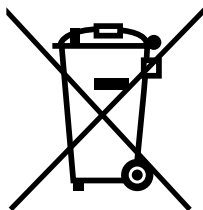
<p>English</p> <p><b><u>GARANTEE CERTIFICATE</u></b></p> <p>① Model No.  ② Serial No.  ③ Date of Purchase  ④ Customer Name and Address  ⑤ Dealer Name and Address  (Please stamp dealer name and address)</p>	<p>Nederlands</p> <p><b><u>GARANTIEBEWIJS</u></b></p> <p>① Modelnummer  ② Serienummer  ③ Datum van aankoop  ④ Naam en adres van de gebruiker  ⑤ Naam en adres van de handelaar  (Stempel a.u.b. naam en adres vande de handelaar)</p>
<p>Deutsch</p> <p><b><u>GARANTIESCHEIN</u></b></p> <p>① Modell-Nr.  ② Serien-Nr.  ③ Kaufdatum  ④ Name und Anschrift des Kunden  ⑤ Name und Anschrift des Händlers  (Bitte mit Namen und Anschrift des Handlers abstempeln)</p>	<p>Español</p> <p><b><u>CERTIFICADO DE GARANTIA</u></b></p> <p>① Número de modelo  ② Número de serie  ③ Fecha de adquisición  ④ Nombre y dirección del cliente  ⑤ Nombre y dirección del distribuidor  (Se ruega poner el sellú del distribuidor con su nombre y dirección)</p>
<p>Français</p> <p><b><u>CERTIFICAT DE GARANTIE</u></b></p> <p>① No. de modèle  ② No. de série  ③ Date d'achat  ④ Nom et adresse du client  ⑤ Nom et adresse du revendeur  (Cachet portant le nom et l'adresse du revendeur)</p>	<p>Português</p> <p><b><u>CERTIFICADO DE GARANTIA</u></b></p> <p>① Número do modelo  ② Número do série  ③ Data de compra  ④ Nome e morada do cliente  ⑤ Nome e morada do distribuidor  (Por favor, carimbe o nome e morada do distribuidor)</p>
<p>Italiano</p> <p><b><u>CERTIFICATO DI GARANZIA</u></b></p> <p>① Modello  ② N° di serie  ③ Data di acquisto  ④ Nome e indirizzo dell'acquirente  ⑤ Nome e indirizzo del rivenditore  (Si prega di apporre il timbro con questi dati)</p>	<p>Ελληνικά</p> <p><b><u>ΠΙΣΤΟΠΟΙΗΤΙΚΟ ΕΓΓΥΗΣΗΣ</u></b></p> <p>① Αρ. Μοντέλου  ② Αύξων Αρ.  ③ Ημερομηνία αγοράς  ④ Όνομα και διεύθυνση πελάτη  ⑤ Όνομα και διεύθυνση μεταπωλητή  (Παρακαλούμε να χρησιμοποιηθεί σφραγίδα)</p>



# HITACHI

①	
②	
③	
④	
⑤	





#### English

Only for EU countries

Do not dispose of electric tools together with household waste material!

In observance of European Directive 2002/96/EC on waste electrical and electronic equipment and its implementation in accordance with national law, electric tools that have reached the end of their life must be collected separately and returned to an environmentally compatible recycling facility.

#### Deutsch

Nur für EU-Länder

Werfen Sie Elektrowerkzeuge nicht in den Hausmüll!

Gemäss Europäischer Richtlinie 2002/96/EG über Elektro- und Elektronik- Altgeräte und Umsetzung in nationales Recht müssen verbrauchte Elektrowerkzeuge getrennt gesammelt und einer umweltgerechten Wiederverwertung zugeführt werden.

#### Français

Pour les pays européens uniquement

Ne pas jeter les appareils électriques dans les ordures ménagères!

Conformément à la directive européenne 2002/96/EG relative aux déchets d'équipements électriques ou électroniques (DEEE), et à sa transposition dans la législation nationale, les appareils électriques doivent être collectés à part et être soumis à un recyclage respectueux de l'environnement.

#### Italiano

Solo per Paesi UE

Non gettare le apparecchiature elettriche tra i rifiuti domestici.

Secondo la Direttiva Europea 2002/96/CE sui rifiuti di apparecchiature elettriche ed elettroniche e la sua attuazione in conformità alle norme nazionali, le apparecchiature elettriche esauste devono essere raccolte separatamente, al fine di essere reimpiagate in modo eco-compatibile.

#### Nederlands

Alleen voor EU-landen

Geef elektrisch gereedschap niet met het huisvuil mee!

Volgens de Europese richtlijn 2002/96/EG inzake oude elektrische en elektronische apparaten en de toepassing daarvan binnen de nationale wetgeving, dient gebruikt elektrisch gereedschap gescheiden te worden ingezameld en te worden afgevoerd naar een recycle bedrijf dat voldoet aan de geldende milieu-eisen.

#### Español

Sólo para países de la Unión Europea

¡No deseche los aparatos eléctricos junto con los residuos domésticos!

De conformidad con la Directiva Europea 2002/96/CE sobre residuos de aparatos eléctricos y electrónicos y su aplicación de acuerdo con la legislación nacional, las herramientas eléctricas cuya vida útil haya llegado a su fin se deberán recoger por separado y trasladar a una planta de reciclaje que cumpla con las exigencias ecológicas.

#### Português

Apenas para países da UE

Não deite ferramentas elétricas no lixo doméstico!

De acordo com a diretiva europeia 2002/96/CE sobre ferramentas eléctricas e electrónicas usadas e a transposição para as leis nacionais, as ferramentas eléctricas usadas devem ser recolhidas em separado e encaminhadas a uma instalação de reciclagem dos materiais ecológica.

#### Ελληνικά

Μόνο για τις χώρες της ΕΕ

Μην πετάτε τα ηλεκτρικά εργαλεία στον κάδο οικιακών απορριμμάτων!

Σύμφωνα με την ευρωπαϊκή οδηγία 2002/96/EK περί ηλεκτρικών και ηλεκτρονικών συσκευών και την ενσωμάτωσή της στο εθνικό δίκαιο, τα ηλεκτρικά εργαλεία πρέπει να συλλέγονται ξεχωριστά και να επιστρέφονται για ανακύκλωση με τρόπο φιλικό προς το περιβάλλον.



English	<b>EC DECLARATION OF CONFORMITY</b>	Nederlands	<b>EC VERKLARING VAN CONFORMITEIT</b>
<p>We declare under our sole responsibility that this product is in conformity with standards or standardized documents EN60745, EN55014 and EN61000 in accordance with Council Directives 73/23/EEC, 89/336/EEC, 98/37/EC and 2000/14/EC.</p> <p>2000/14/EC</p> <ul style="list-style-type: none"> <li>Type of equipment: Hand-held concrete breaker</li> <li>Type name: H60KA</li> <li>Weight of equipment: 11 kg</li> <li>Conformity assessment procedure: ANNEX VI, Paragraph 5</li> <li>European Notified Body: CE 0032 TÜV NORD CERT Am TÜV 1, 30519 Hannover, Germany</li> <li>EC-Certificate-Number: CE 0032 - 333 05 012 6 001</li> <li>Measured sound power level: 101 dB/1pw</li> <li>Guaranteed sound power level: 103 dB/1pw</li> </ul> <p>This declaration is applicable to the product affixed CE marking.</p>		<p>Wij verklaren onder eigen verantwoordelijkheid dat dit product conform de richtlijnen of gestandaardiseerde documenten EN60745, EN55014 en EN61000 voldoet aan de eisen van EEG Bepalingen 73/23/EEG, 89/336/EEG, 98/37/EC en 2000/14/EC.</p> <p>2000/14/EC</p> <ul style="list-style-type: none"> <li>Type gereedschap: Handbetonbreekhamer</li> <li>Type naam: H60KA</li> <li>Gewicht gereedschap: 11 kg</li> <li>Conformiteit vaststellingsprocedure: ANNEX VI, Paragraaf 5</li> <li>In kennis gesteld Europees instituut: CE0032 TÜV NORD CERT Am TÜV 1, 30519 Hannover, Duitsland</li> <li>EU-Certificaat-Nummer: CE 0032 - 333 05 012 6 001</li> <li>Gemeten geluidsdruk: 101 dB/1pw</li> <li>Gegarandeerde geluidsdruk: 103 dB/1pw</li> </ul> <p>Deze verklaring is van toepassing op producten voorzien van de CE-markeringen.</p>	
Deutsch	<b>ERKLÄRUNG ZUR KONFORMITÄT MIT CE-REGELN</b>	Español	<b>DECLARACIÓN DE CONFORMIDAD DE LA CE</b>
<p>Wir erklären mit alleiniger Verantwortung, daß dieses Produkt den Standards oder standardisierten Dokumenten EN60745, EN55014 und EN61000 in Übereinstimmung mit den Direktiven des Eurorats 73/23/EWG, 89/336/EWG, 98/37/CE und 2000/14/CE entspricht.</p> <p>2000/14/CE</p> <ul style="list-style-type: none"> <li>Art der Ausrüstung: Handgehaltener Betonbrecher</li> <li>Typname: H60KA</li> <li>Gewicht der Ausrüstung: 11 kg</li> <li>Übereinstimmungsbeurteilungsverfahren: ANNEX VI Paragraph 5</li> <li>Europäische benannte Stelle: CE0032 TÜV NORD CERT Am TÜV 1, 30519 Hannover, Deutschland</li> <li>EU-Zertifikatnummer: CE 0032 - 333 05 012 6 001</li> <li>Gemessener Schalleistungspegel: 101 dB/1pw</li> <li>Garantierter Schalleistungspegel: 103 dB/1pw</li> </ul> <p>Diese Erklärung gilt für Produkte, die die CE-Markierung tragen.</p>		<p>Declaramos bajo nuestra única responsabilidad que este producto está de acuerdo con las normas o con los documentos de normalización EN60745, EN55014 y EN61000, según indican las Directrices del Consejo 73/23/CEE, 89/336/CEE, 98/37/CE y 2000/14/CE.</p> <p>2000/14/CE</p> <ul style="list-style-type: none"> <li>Tipo de dispositivo: martillo manual para romper el hormigón</li> <li>Nombre del modelo: H60KA</li> <li>Peso del dispositivo: 11 kg</li> <li>Procedimiento de evaluación de conformidad: ANEXO VI Párrafo 5</li> <li>Entidad europea notificada: CE0032 TÜV NORD CERT Am TÜV 1, 30519 Hannover, Alemania</li> <li>Nº de certificado de la CE: CE 0032 - 333 05 012 6 001</li> <li>Nivel de potencia acústica medida: 101 dB/1pw</li> <li>Nivel de potencia acústica garantizada: 103 dB/1pw</li> </ul> <p>Esta declaración se aplica a los productos con marcas de la CE.</p>	
Français	<b>DECLARATION DE CONFORMITE CE</b>	Português	<b>DECLARAÇÃO DE CONFORMIDADE CE</b>
<p>Nous déclarons sous notre seule et entière responsabilité que ce produit est conforme aux normes ou documents normalisés EN60745, EN55014 et EN61000 en accord avec les Directives 73/23/CEE, 89/336/CEE, 98/37/CE et 2000/14/CE du Conseil.</p> <p>2000/14/CE</p> <ul style="list-style-type: none"> <li>Type de matériel : Outil de démolition à main</li> <li>Nom du type : H60KA</li> <li>Poids du matériel : 11 kg</li> <li>Procédure d'évaluation de conformité : ANNEXE VI Paragraphe 5</li> <li>Organisme européen notifié : CE0032 TÜV NORD CERT Am TÜV 1, 30519 Hanovre, Allemagne</li> <li>Numéro de certificat UE: CE 0032 - 333 05 012 6 001</li> <li>Niveau de puissance sonore mesuré : 101 dB/1pw</li> <li>Niveau de puissance sonore garanti : 103 dB/1pw</li> </ul> <p>Cette déclaration s'applique aux produits désignés CE.</p>		<p>Declaramos, sob nossa única e inteira responsabilidade, que este produto está de acordo com as normas ou documentos normativos EN60745, EN55014 e EN61000, em conformidade com as Diretrizes 73/23/CEE, 89/336/CEE, 98/37/CE e 2000/14/CE do Conselho.</p> <p>2000/14/CE</p> <ul style="list-style-type: none"> <li>Tipo de equipamento: Martelo de mão para demolição de concreto</li> <li>Nome do tipo: H60KA</li> <li>Peso do equipamento: 11 kg</li> <li>Procedimento de avaliação de conformidade: ANEXO VI Parágrafo 5</li> <li>Entidade Certificadora Europeia: CE0032 TÜV NORD CERT Am TÜV 1, 30519 Hannover, Germany</li> <li>CE-Certificado-Número: CE 0032 - 333 05 012 6 001</li> <li>Nível medido de potência de som: 101 dB/1pw</li> <li>Nível garantido de potência de som: 103 dB/1pw</li> </ul> <p>Esta declaração se aplica aos produtos designados CE.</p>	
Italiano	<b>DICHIARAZIONE DI CONFORMITÀ CE</b>	Ελληνικά	<b>ΕΚ ΔΗΛΩΣΗ ΕΝΑΡΜΟΝΙΣΜΟΥ</b>
<p>Si dichiara sotto nostra responsabilità che questo prodotto è conforme agli standard o ai documenti standardizzati EN60745, EN55014 e EN61000 conforme alle direttive 73/23/CEE, 89/336/CEE, 98/37/CE e 2000/14/CE del concilio.</p> <p>2000/14/CE</p> <ul style="list-style-type: none"> <li>Tipo di apparecchiatura: Demolitore per cemento portatile</li> <li>Nome di tipo: H60KA</li> <li>Peso dell'apparecchiatura: 11 kg</li> <li>Procedimento di valutazione conformità: ALLEGATO VI Paragrafo 5</li> <li>Ente di Notifica Europeo: CE0032 TÜV NORD CERT Am TÜV 1, 30519 Hannover, Germania</li> <li>CE-Certificato-Numero: CE 0032 - 333 05 012 6 001</li> <li>Livello di potenza sonora misurato: 101 dB/1pw</li> <li>Livello di potenza sonora garantito: 103 dB/1pw</li> </ul> <p>Questa dichiarazione è applicabile ai prodotti cui sono applicati i marchi CE.</p>		<p>Δηλώνουμε με απόλυτη υπευθυνότητα ότι αυτό το προϊόν είναι εναρμονισμένο με τα πρότυπα ή τα έγγραφα προτύπων EN60745, EN55014 και EN61000 σε συμφωνία με τις Οδηγίες του Συμβουλίου 73/23/ΕΟΚ, 89/336/ΕΕΚ και / ή 98/37/ΕΚ και 2000/14/ΕΚ.</p> <p>2000/14/ΕΚ</p> <ul style="list-style-type: none"> <li>Τύπος μηχανήματος: Θραυστής τσιμέντου που κρατιέται από το χέρι</li> <li>Ονομασία τύπου: Η60ΚΑ,</li> <li>Βάρος μηχανήματος: 11 kg</li> <li>Αριθμός ελέγχου εναρμονισμού: Παράρτημα VI Παράγραφος 5</li> <li>Ευρωπαϊκό διακοινωνιόμενο όργανο: CE 0032 TÜV NORD CERTIFICATE Am TÜV 1, 30519 Hannover, Germany</li> <li>Αριθ. Πιστ. ΕΚ: CE 0032 - 333 05 012 6 001</li> <li>Μετρημένο επίπεδο ηχητικής ισχύος: 101 dB/1pw</li> <li>Εγγυημένο επίπεδο ηχητικής ισχύος: 103 dB/1pw</li> </ul> <p>Αυτή η δήλωση ισχύει στο προϊόν με το σήμα CE.</p>	
<p>Representative office in Europe  <b>Hitachi Power Tools Europe GmbH</b>  Siemensring 34, 47877 Willich 1, F. R. Germany</p> <p>Head office in Japan  <b>Hitachi Koki Co., Ltd.</b>  Shinagawa Intercity Tower A, 15-1, Konan 2-chome,  Minato-ku, Tokyo, Japan</p>		 <p>29. 6. 2007</p>  <p>K. Kato  Board Director</p>	

## Free Manuals Download Website

<http://myh66.com>

<http://usermanuals.us>

<http://www.somanuals.com>

<http://www.4manuals.cc>

<http://www.manual-lib.com>

<http://www.404manual.com>

<http://www.luxmanual.com>

<http://aubethermostatmanual.com>

Golf course search by state

<http://golfingnear.com>

Email search by domain

<http://emailbydomain.com>

Auto manuals search

<http://auto.somanuals.com>

TV manuals search

<http://tv.somanuals.com>