

DocuPrint CP116 w
DocuPrint CP115 w
User Guide



Apple, Bonjour, ColorSync, iPad, iPhone, iPod touch, Macintosh, Mac OS, and OS X are trademarks of Apple Inc., registered in the U.S. and other countries. AirPrint and the AirPrint logo are trademarks of Apple Inc. App Store is a service mark of Apple Inc.

Android and Google Play are either registered trademarks or trademarks of Google Inc.

Microsoft, Windows Vista, Windows, Windows Server, Visual C++, Visual Studio, and Internet Explorer are either registered trademarks or trademarks of Microsoft Corporation in the United States and/or other countries.

Linux is a registered trademark of Linus Torvalds.

Novell and SUSE are registered trademarks of Novell, Inc. in the United States and other countries.


Red Hat and Red Hat Enterprise Linux are registered trademarks of Red Hat, Inc. in the U.S. and other countries.

Ubuntu is a registered trademark of Canonical Ltd.

Wi-Fi and Wi-Fi Direct are registered trademarks of the Wi-Fi Alliance. Wi-Fi Protected Setup, WPA, and WPA2 are trademarks of the Wi-Fi Alliance.

All product/brand names are trademarks or registered trademarks of the respective holders.

Microsoft product screen shot(s) reprinted with permission from Microsoft Corporation.

In this manual, safety instructions are preceded by the symbol . Always read and follow the instructions before performing the required procedures.

It may be a legal offence to print currency notes, certificates of stocks and securities, or any other documents of similar nature, regardless of whether they will be used.

Fuji Xerox is not responsible for any breakdown of machines due to infection of computer virus or computer hacking.

IMPORTANT:

1. This manual is copyrighted with all rights reserved. Under the copyright laws, this manual may not be copied or modified in whole or part, without the written consent of the publisher.
2. Parts of this manual are subject to change without prior notice.
3. We welcome any comments on ambiguities, errors, omissions, or missing pages.
4. Never attempt any procedure on the machine that is not specifically described in this manual. Unauthorized operation can cause faults or accidents. Fuji Xerox is not liable for any problems resulting from unauthorized operation of the equipment.

Xerox, Xerox and Design, as well as Fuji Xerox and Design are registered trademarks or trademarks of Xerox Corporation in Japan and/or other countries.

DocuPrint and CentreWare are registered trademarks or trademarks of Xerox Corporation in Japan and/or other countries.

Preface

Thank you for purchasing the DocuPrint CP116 w/DocuPrint CP115 w.

This guide is intended for users who use the printer for the first time, and provides all the necessary operating information about the print function.

Please read this guide to achieve the best performance from this printer.

This guide assumes you are familiar with computers and the basics of network operation and configuration.

After reading this guide, keep it safe and handy for future reference.

Fuji Xerox Co., Ltd.

Contents

Preface	3
Types of Manuals	8
Using This Guide	9
Organization.....	9
Conventions	9
Product Features	10
1 Specifications	11
2 Basic Operation	14
Main Components.....	15
Front View	15
Rear View.....	15
Operator Panel.....	16
Turning On/Off the Printer.....	18
Turning On Your Printer	18
Turning Off Your Printer	18
Power Saver Mode	19
Setting the Time of the Power Saver Mode.....	19
Exiting the Power Saver Mode.....	19
3 Printer Management Software.....	20
Print Driver	21
CentreWare Internet Services.....	22
Creating an Administrative Password	22
Printer Setting Utility	23
SimpleMonitor (Windows Only).....	24
Launcher (Windows Only).....	25
Setup Disk Creation Tool	26
4 Printer Connection and Software Installation	27
Overview of Printer Connection and Software Installation.....	28
USB Connection.....	28
Wireless Connection	28
Connecting Your Printer.....	30
Available Features for Each Connection Type.....	30
Connecting Printer to Your Computer	31
Setting the IP Address (for IPv4 Mode)	34
Printer's TCP/IP and IP Addresses	34
Dynamic Methods of Setting the Printer's IP Address.....	34
Assigning an IP Address Manually.....	35
Verifying the IP Settings.....	36
Configuring Printer and Installing Software on Windows	37
Identifying Print Driver Pre-install Status (for Network Connection Setup)	37
Using Installer to Set Up Connection and Install Software.....	38
Using Installer to Install Software.....	40
Installing the XML Paper Specification (XPS) Print Driver	40
Setting Up for Web Services on Devices (WSD)	48

	Setting Up for Shared Printing	50
	Configuring Printer and Installing Software on Mac OS X	59
	Installing Software	59
	Adding a Printer	59
	Configuring Printer and Installing the Print Driver on Linux (CUPS)	64
	Installing the Print Driver	64
	Setting Up the Queue	65
	Setting the Default Queue	65
	Specifying the Printing Options	66
5	Printing Basics	67
	About Print Media	68
	Print Media Usage Guidelines	68
	Print Media That Can Damage Your Printer	68
	Print Media Storage Guidelines	69
	Supported Print Media	70
	Usable Print Media	70
	Loading Print Media	71
	Capacity	71
	Print Media Dimensions	71
	Loading Print Media in the Multipurpose Feeder	72
	Manual Duplex Printing	78
	Using the Output Tray Extension	81
	Printing	82
	Sending a Job to Print	82
	Canceling a Print Job	82
	Selecting Printing Options	84
	Printing on Custom Size Paper	87
	Checking Status of Print Job	89
	Printing With Wi-Fi Direct	89
	Mobile Printing	94
	Printing With AirPrint	94
	Printing a Report Page	95
	Printer Settings	96
6	Using the Operator Panel	97
	Understanding the Operator Panel Indicators	98
	Warnings	99
	Common Errors	100
	Fatal Errors	102
	Firmware Errors	103
	Resetting to Factory Defaults	104
7	Digital Certificates	105
	Using Digital Certificates	106
	Setting a Digital Certificate	106
	Managing the Digital Certificate	108
	Setting the SSL/TLS Communication Feature	109
8	Troubleshooting	110
	Clearing Jams	111
	Avoiding Jams	111

Identifying the Location of Paper Jams	112
Clearing Paper Jams From the Front of the Printer	113
Clearing Paper Jams From the Rear of the Printer	114
Clearing Paper Jams From the Center Output Tray	116
Jam Problems	118
Basic Printer Problems	119
Printing Problems	120
Print Quality Problems	121
The Output Is Too Light	121
Toner Smears or Print Comes Off/Stain on Back Side	122
Random Spots/Blurred Images	122
The Entire Output Is Blank	123
Streaks Appear on the Output	123
Pitched Color Dots	123
Vertical Blanks	123
Mottle	124
Ghosting	124
Fog	125
Bead-Carry-Out (BCO)	125
Auger Mark	126
Wrinkled/Stained Paper	127
The Top Margin Is Incorrect	127
Color Registration Is Out of Alignment	128
Protrudent/Bumpy Paper	129
Adjusting Color Registration	130
Performing Auto Correct	130
Printing the Color Registration Chart	130
Determining Values	131
Entering Values	132
Wireless Problems	133
Wi-Fi Direct Problems	134
Digital Certificate Problems	135
Other Problem	136
Contacting Service	137
Getting Help	138
Operator Panel Indicator	138
SimpleMonitor Alerts (Windows Only)	138
Obtaining the Product Information	138
Non-Genuine Mode	139
Using the Printer Setting Utility	139
9 Maintenance	140
Cleaning the Printer	141
Cleaning Inside the Printer	141
Cleaning the Color Toner Density (CTD) Sensor	144
Replacing Toner Cartridges	145
Overview	146
Removing the Toner Cartridges	147
Installing a Toner Cartridge	148
Ordering Supplies	150
Consumables	150
When to Order Toner Cartridges	150
Recycling Supplies	150

Storing Consumables.....	151
Managing the Printer.....	152
Checking or Managing the Printer With the CentreWare Internet Services ...	152
Checking Printer Status With the SimpleMonitor (Windows Only).....	152
Checking Printer Status Through E-mail.....	152
Conserving Supplies.....	154
Checking Page Counts	155
Moving the Printer.....	156
10 Contacting Fuji Xerox	159
Technical Support.....	160
Online Services.....	161
Index.....	162

Types of Manuals

Paper Manuals

Safety Guide	Describes the information you need to know before using the printer and how to operate the printer safely.
Setup Guide	Provides step-by-step instructions on how to set up your printer. Also describes how to check network connection.
Operator Panel Guide	Describes the icons assigned to the buttons or indicators on the operator panel.

Manuals Included on the Software Pack CD-ROM

User Guide (this guide)	Describes how to get ready to print and set various features. It also covers the operator panel indicators, troubleshooting tips, and maintenance information.
Troubleshooting Guide	Describes the troubleshooting tips for printer problems such as paper jams. This guide can be opened from the Launcher.
Product Features	Describes the product features. This guide can be opened from the installer.
Show Me How	Describes the error recovery procedures for the printer. This can be opened from the SimpleMonitor.

Using This Guide

■ Organization

This guide is organized into the following chapters. The summary of each chapter is as follows:

1 Specifications	Describes the printer specifications.
2 Basic Operation	Describes the main components of the printer, the power saver mode, and how to turn on/off the printer.
3 Printer Management Software	Describes the software available for the printer.
4 Printer Connection and Software Installation	Describes the basic information about how to connect the printer to your computer and how to install the print driver.
5 Printing Basics	Describes the supported paper, how to load paper, and how to print data using various print features.
6 Using the Operator Panel	Describes the indicators on the operator panel.
7 Digital Certificates	Describes how to create and manage digital certificates.
8 Troubleshooting	Describes the troubleshooting tips for printer problems such as paper jams.
9 Maintenance	Describes how to clean the printer, how to replace toner cartridges, and how to see the printer status.
10 Contacting Fuji Xerox	Describes support information.

■ Conventions

- In this guide, personal computers and workstations are collectively called "computers".
- The following terms are used throughout this guide:

IMPORTANT:

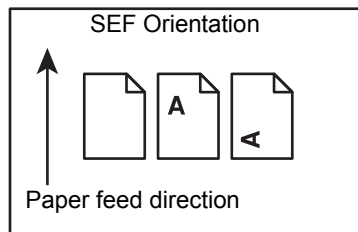
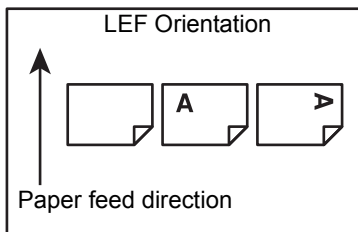
- Important information that must be read and followed.

NOTE:

- Additional information that merits emphasis.

See also:

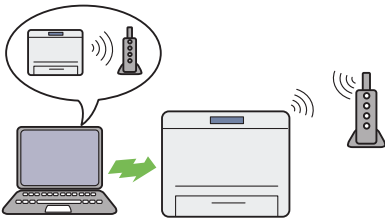
- References within this guide.
- Orientation of documents or paper is described in this guide as follows:
☐, ☐, Long Edge Feed (LEF): Loading the document or paper in landscape orientation.
☐, ☐, Short Edge Feed (SEF): Loading the document or paper in portrait orientation.



- Some of the items in the screen shots and illustrations may not be displayed or available depending on your printer model.

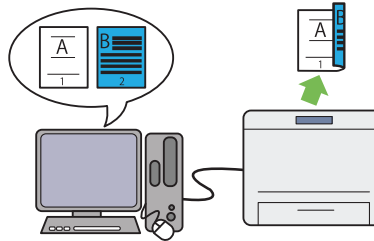
Product Features

Easy Wireless Connection Set Up (EZInstall)



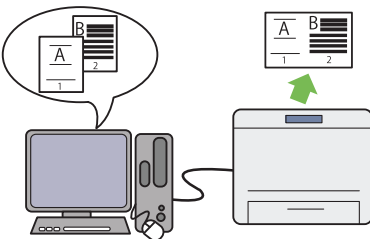
You can easily connect the printer to a wireless network by using the installer on the *Software Pack CD-ROM*. For more information, see "Configuring Wireless Connection Settings" on page 39.

Manual Duplex Print



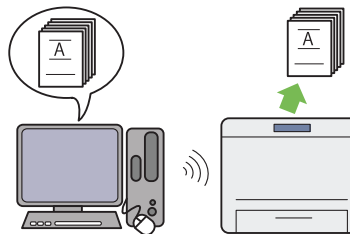
The duplex print feature allows you to print two or more pages on the front and back sides of a single sheet of paper manually. This feature helps reduce paper consumption. For more information, see "Manual Duplex Printing" on page 78.

Multiple Up Print



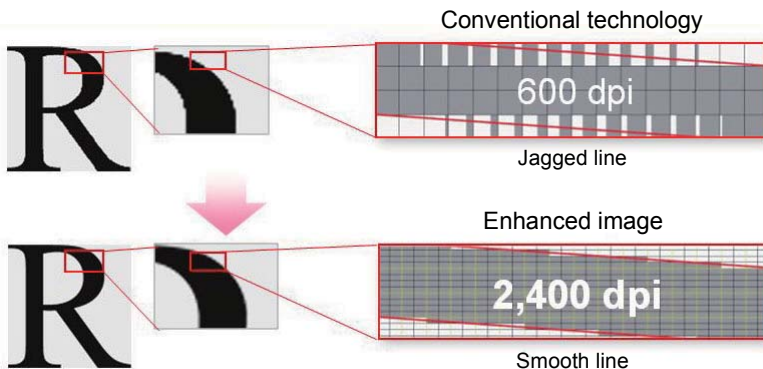
The multiple up print feature allows you to print multiple pages on a single sheet of paper. This feature helps reduce paper consumption. For more information, refer to the Help provided for the print driver.

Printing Through Wireless Connection (Wireless Print)



The wireless LAN feature on your printer allows you to install the printer at any location, and enables printing without a wired connection to your computer. For more information, see "Wireless Connection" on page 31.



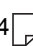
Fuji Xerox Imaging Technology



This printer reproduces smooth lines and gradations by 1200 x 2400 dpi high-resolution LED print heads and Micro Accurate Control Screen (MACS) Technology. In addition, the color registration of each toner is corrected with ultra high precision through a digital process by Image Registration Control Technology (IReCT).

Specifications

This chapter lists the main specifications of the printer. Note that the specifications of the product may change without prior notice.

Items	Description
Product Code	DocuPrint CP116 w 220V: TL300860 DocuPrint CP116 w 110V: TL300863 DocuPrint CP115 w 220V: TL300855 DocuPrint CP115 w 110V: TL300858
Type	Desktop
Printing Method	LED Xerography IMPORTANT: <ul style="list-style-type: none"> LED + LED electrophotographic system
Warm-up Time	28 seconds or less (at 22°C room temperature)
Continuous Print Speed	Color 1 Sided: 10 sheets/min Monochrome 1 Sided: 12 sheets/min IMPORTANT: <ul style="list-style-type: none"> Print speed may decrease due to factors such as paper type, paper size, and printing conditions. When continuously printing a single document of A4 .
First Print	Color: 17.3 seconds (A4 ) Monochrome: 15.0 seconds (A4 ) IMPORTANT: <ul style="list-style-type: none"> The values may vary depending on the machine configuration.
Resolution	1200 × 2400 dpi
Tone/Color	256 tones/color (16.7 million colors)
Paper Size	A4 (210 × 297 mm), B5 (182 × 257 mm), A5 (148 × 210 mm), C5 (162 × 229 mm), Monarch (3.875 × 7.5"), Com 10 (4.125 × 9.5"), DL (110 × 220 mm), Letter (8.5 × 11"), Legal (8.5 × 14"), Folio (8.5 × 13"), Executive (7.25 × 10.5"), Custom Size: 76.2 – 215.9 × 127 – 355.6 mm (3.0 – 8.5" × 5.0 – 14.0") Image loss: 4 mm from the top, bottom, left, and right edges
Paper Weight	60 – 163 gsm IMPORTANT: <ul style="list-style-type: none"> Use only the recommended paper. Using paper other than that recommended for the printer can cause printing problems. Do not use special ink jet paper. The type of paper being used and environmental conditions can affect printing quality. Because of this, it is recommended to perform a test print and confirm proper print quality before using the printer.
Paper Capacity	150 sheets IMPORTANT: <ul style="list-style-type: none"> Fuji Xerox P paper (64 gsm)
Output Tray Capacity	Approximately 100 sheets (face down) IMPORTANT: <ul style="list-style-type: none"> Fuji Xerox P paper (64 gsm)

Items	Description
2-sided Printing Feature	Standard (Manual)
Memory Capacity	Standard: 128 MB (Onboard) Optional: — IMPORTANT: <ul style="list-style-type: none"> The above memory capacity does not guarantee print quality depending on the type and content of print data.
Page Description Language	Host-based
Supported OS	Microsoft® Windows Server® 2003 (32-bit) Microsoft® Windows Vista® (32-bit) Microsoft® Windows Server® 2008 (32-bit) Microsoft® Windows® 7 (32-bit) Microsoft® Windows® 8 (32-bit) Microsoft® Windows® 8.1 (32-bit) Microsoft® Windows Server® 2003 (64-bit) Microsoft® Windows Vista® (64-bit) Microsoft® Windows Server® 2008 (64-bit) Microsoft® Windows® 7 (64-bit) Microsoft® Windows Server® 2008 R2 (64-bit) Microsoft® Windows® 8 (64-bit) Microsoft® Windows Server® 2012 (64-bit) Microsoft® Windows® 8.1 (64-bit) Microsoft® Windows Server® 2012 R2 (64-bit) Mac OS X 10.5 Leopard Mac OS X 10.6 Snow Leopard Mac OS X 10.7 Lion OS X 10.8 Mountain Lion OS X 10.9 Mavericks Red Hat® Enterprise Linux® 6 Desktop (32-bit) SUSE® Linux Enterprise Desktop 11 (32-bit) Ubuntu® 12.04 (32-bit) Red Hat® Enterprise Linux® 6 Desktop (64-bit) SUSE® Linux Enterprise Desktop 11 (64-bit) Ubuntu® 12.04 (64-bit) IMPORTANT: <ul style="list-style-type: none"> For information about the latest supported OS, refer to the Fuji Xerox web site.
Interface	USB 2.0 (Hi-Speed), IEEE 802.11b/802.11g/802.11n
Supported Protocol	TCP/IP (IPv4/IPv6, LPD, IPP, IPPS, Port9100, WSD, HTTP, HTTPS, RARP, AutoIP), SNMP, DHCP, DHCPv6, BOOTP, Bonjour (mDNS), AirPrint NOTE: <ul style="list-style-type: none"> WSD stands for Web Services on Devices.
Power Supply	AC 100 – 127 V ± 10%; 7 A; both 50/60 Hz ± 3 Hz AC 220 – 240 V ± 10%; 5 A; both 50/60 Hz ± 3 Hz IMPORTANT: <ul style="list-style-type: none"> Power outlets that provide the above power level are recommended.

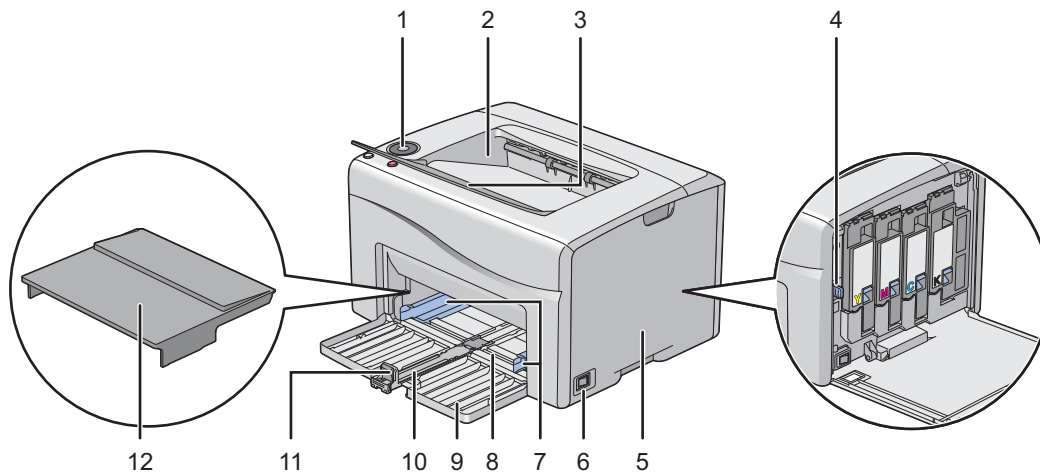
Items	Description
Operating Noise	During operation: 6.1 B; 46.8 dB (A) During stand-by: 3.6 B; 25.6 dB (A) IMPORTANT: <ul style="list-style-type: none"> • Measurements based on ISO7779 Unit B: acoustic power level (LwAd) Unit dB (A): radiated sound pressure (bystander position)
Power Consumption	Maximum power consumption: 790 W or less Low power mode : 9 W or less Sleep mode : 2.0 W or less Standby mode : 42 W or less IMPORTANT: <ul style="list-style-type: none"> • The printer does not use electricity when the power is switched off even with the power cord is plugged in.
Dimensions	394 (W) × 304 (D) × 234 (H) mm IMPORTANT: <ul style="list-style-type: none"> • When the front cover is closed.
Weight	Approximately 10.9 kg (including toner cartridges)
Usage Environment	During Use: Temperature: 10 – 32°C; Humidity: 10 – 85% (except malfunctions due to dew condensation) Non-Use: Temperature: -20 – 40°C; Humidity: 5 – 85% (except malfunctions due to dew condensation) IMPORTANT: <ul style="list-style-type: none"> • Until the conditions (temperature and humidity) inside the printer become acclimated to the installation environment, certain conditions of paper can cause poor printing quality.

Basic Operation

- "Main Components" on page 15
- "Turning On/Off the Printer" on page 18
- "Power Saver Mode" on page 19

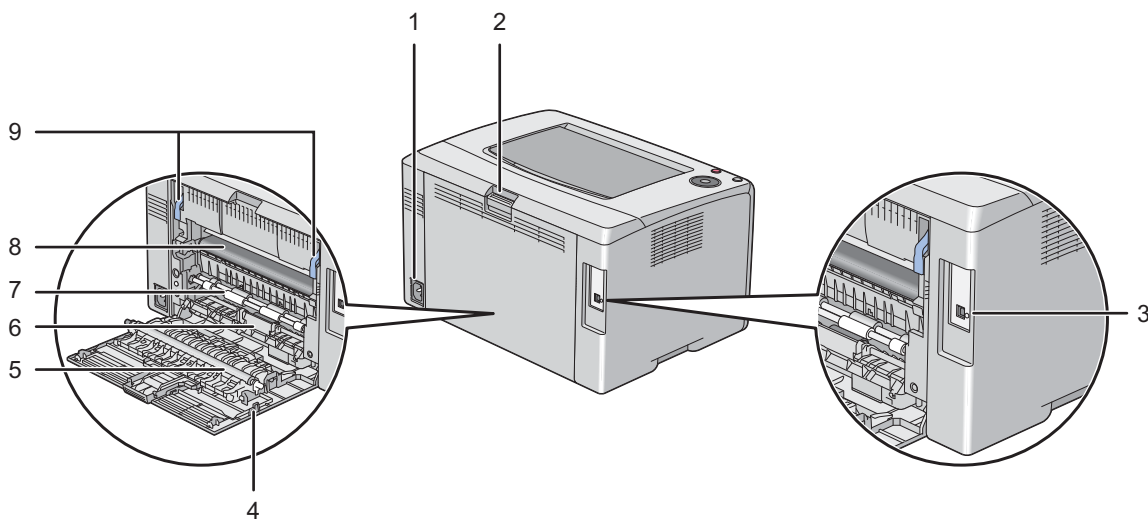
Main Components

■ Front View



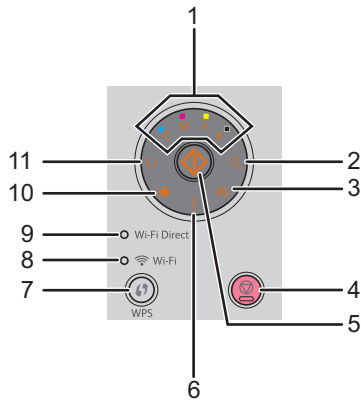
1	Operator Panel	2	Center Output Tray
3	Output Tray Extension	4	Print Head Cleaning Rod
5	Toner Access Cover	6	Power Switch
7	Paper Width Guides	8	Multipurpose Feeder
9	Front Cover	10	Slide Bar
11	Length Guide	12	Paper Cover

■ Rear View



1	Power Connector	2	Rear Cover Handle
3	USB Port	4	Rear Cover
5	Transfer Roller	6	Paper Chute
7	Paper Feed Roller	8	Transfer Belt
9	Levers		

■ Operator Panel



1	Toner indicators	Indicates that the toner is low or empty, or toner error occurred.
2	☾ (Power Saver) indicator	Lights up in the power saver mode.
3	⌘ (Jam) indicator	Lights up when a paper jam occurs.
4	⊘ (Stop) button	Cancels the current print job or clears an error.
5	◊ (Start) button/indicator	Starts 2 sided printing after loading paper. Prints the report pages by holding.
6	! (Error) indicator	Lights up when an error occurs, and blinks when an unrecoverable error occurs.
7	↻ (WPS) button	Starts Wi-Fi Protected Setup™ (Push Button Configuration).
8	📶 (Wi-Fi) LED	Lights up when wireless connection is established, and blinks in certain conditions.
9	Wi-Fi Direct LED	Lights up when Wi-Fi Direct® connection is established.
10	📄 (Load Paper) indicator	Indicates when no paper or the wrong size of paper is loaded.
11	⦿ (Ready) indicator	Lights up when the printer is ready, and blinks when data is being received.






The indicators provide information on the status of the printer and help you locate each problem. For details about indicators, see "Understanding the Operator Panel Indicators" on page 98.

Status of Wi-Fi LED

This section describes when the  (Wi-Fi) LED lights up or blinks.






See also:

- "Wireless Problems" on page 133

 (Wi-Fi) LED	Printer Status
 Off	No wireless LAN access point or router on which the WPS operation is being performed found within the specified time Entering the power saver mode
 On	Wireless link established
 Blinking normal	Searching/Connecting with wireless LAN access point or router
 Blinking slowly	Searching/Connecting with WPS access point or router during wireless operation

Status of Wi-Fi Direct LED

This section describes when the **Wi-Fi Direct** LED lights up or blinks.

Wi-Fi Direct LED	Printer Status
 Off	Wi-Fi Direct Setup set to Disable Entering the power saver mode
 On	Waiting for the pairing request
 Blinking normal	Received pairing request and blinking  (Start) button Entering the PIN code required
 Blinking slowly	Wi-Fi Direct connection established

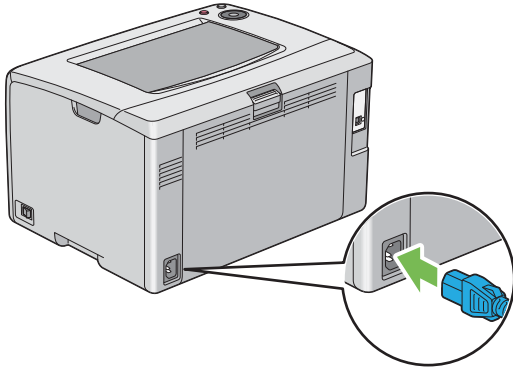
Turning On/Off the Printer

■ Turning On Your Printer

IMPORTANT:

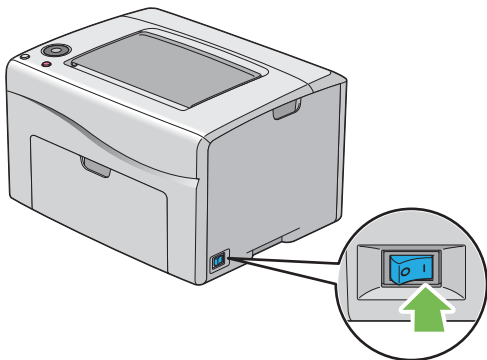
- Do not use extension cords or power strips.
- The printer should not be connected to an uninterruptible power supply (UPS) system.

- 1 Connect the power cord to the power connector on the rear of your printer (see "Rear View" on page 15).



- 2 Connect the other end of the cord to the power source.

- 3 Turn on the printer.

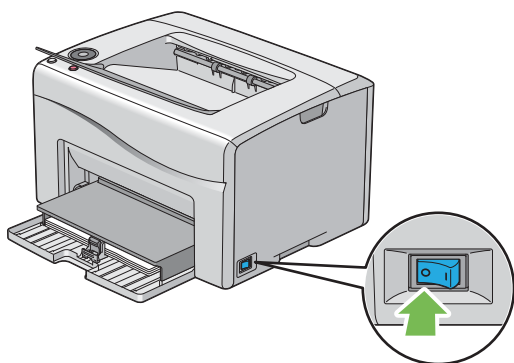


■ Turning Off Your Printer


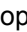
- 1 Turn off the printer.

NOTE:

- The data in the memory is cleared when the printer is turned off.



Power Saver Mode

The printer has a power saving feature which reduces power consumption during periods of inactivity. This feature operates in two modes: the low power mode and sleep mode. As delivered, the printer switches to the low power mode five minutes after the last print job is finished. The printer then switches to the sleep mode after another six minutes of inactivity. When the printer is in the low power mode, all operator panel indicators except for the  (**Power Saver**) indicator and the indicator announcing that a problem occurs go out. In the sleep mode, all operator panel indicators except for the  (**Power Saver**) indicator go out.

The factory default settings of five minutes (Low Power Timer) and six minutes (Sleep Timer) are changeable within the range of 5 to 30 minutes (Low Power Timer) and 1 to 6 minutes (Sleep Timer). The printer returns to the ready-to-print state in about 28 seconds when re-activated.

■ Setting the Time of the Power Saver Mode

You can specify the time of the power saver mode. The printer switches to the power saver mode after the specified time.

The following procedure uses Microsoft® Windows® 7 as an example.

- 1 Click **Start** → **All Programs** → **Fuji Xerox** → **Fuji Xerox Printer Software for Asia-Pacific** → your printer → **Printer Setting Utility**.


NOTE:

- The window to select a printer appears in this step, when multiple print drivers are installed on your computer. In this case, click the name of the desired printer listed in **Printer Name**.

The Printer Setting Utility appears.

- 2 Click the **Printer Maintenance** tab.
- 3 Select **System Settings** from the list at the left side of the page.
The **System Settings** page is displayed.
- 4 Specify the time for **Low Power Timer** and **Sleep Timer** of **Power Saver Timer**.
- 5 Click **Apply New Settings** to take effect.

■ Exiting the Power Saver Mode

The printer automatically exits the power saver mode when it receives a print job from a computer. To manually exit the power saver mode, press  (**Stop**) button on the operator panel.

Printer Management Software

Use the *Software Pack CD-ROM* that shipped with your printer to install a combination of software programs, depending on your operating system.

- "Print Driver" on page 21
- "CentreWare Internet Services" on page 22
- "Printer Setting Utility" on page 23
- "SimpleMonitor (Windows Only)" on page 24
- "Launcher (Windows Only)" on page 25
- "Setup Disk Creation Tool" on page 26

Print Driver

To access all of your printer's features, install the print driver from the *Software Pack CD-ROM*.

The print driver enables your computer and printer to communicate and provides access to your printer features.

See also:

- "Configuring Printer and Installing Software on Windows" on page 37
- "Configuring Printer and Installing Software on Mac OS X" on page 59

CentreWare Internet Services

The CentreWare Internet Services is a hypertext transfer protocol (HTTP)-based web page service that is accessed through your web browser.

Using the CentreWare Internet Services, you can confirm the printer status, and change the printer configuration options easily. Anyone on your network can access the printer using the CentreWare Internet Services. In administrative mode, you can change the configuration of the printer, and manage your printer settings without leaving your computer.

NOTE:

- Users who are not given passwords by the administrator can still view the configuration settings in user mode. However, they cannot save or apply any changes to the current configuration and settings.

■ Creating an Administrative Password

- 1 Launch your web browser.
- 2 Enter the IP address of the printer in the address bar, and then press the **Enter** key.
- 3 Click the **Properties** tab.
- 4 In the left navigation panel, scroll down to **Security** and select **Administrator Settings**.
- 5 Select **Enabled** for **Administrator Mode**.
- 6 In the **Administrator Login ID** field, enter a name for the administrator.

NOTE:

- The default ID and password are "11111" and "x-admin" respectively.

- 7 In the **Administrator Password** and **Re-enter Password** fields, enter a password for the administrator.
- 8 In the **Maximum Login Attempts** field, enter the number of login attempts allowed.
Setting to 0 does not limit the number of login attempts.
- 9 Click **Apply**.
Your new password has been set and anyone with the administrator name and password can log in and change the printer configuration and settings.

Printer Setting Utility

The Printer Setting Utility is installed with the print driver.

The Printer Setting Utility allows you to view or specify the system settings. You can also diagnose the system settings by using the Printer Setting Utility.

The Printer Setting Utility consists of the **Printer Settings Report**, **Printer Maintenance**, and **Diagnosis** tabs.

SimpleMonitor (Windows Only)

The SimpleMonitor is installed with the print driver.

You can check the printer status with the SimpleMonitor. Double-click the SimpleMonitor printer icon on the taskbar at the bottom right of the screen. The window to select a printer appears, which displays the printer name, printer connection ports, and printer status. Click one of the printer name listed on the window to select a printer. The **Printer Status** window appears. Check the column **Status** to know the current status of your printer.

The **Printer Status** window alerts you when there is a warning or when an error occurs, for example, when a paper jam occurs or toner is running low.

By default, the **Printer Status** window launches automatically when printing error occurs. You can specify the conditions for starting the **Printer Status** window in **Printer Status Window Properties**.

To change the pop-up settings for the **Printer Status** window:

The following procedure uses Microsoft® Windows® 7 as an example.

- 1 Right-click the SimpleMonitor printer icon on the taskbar at the bottom right of the screen.
- 2 Select **Printer Status Window Properties**.
The **Printer Status Window Properties** window appears.
- 3 Select the type of the pop-up and then click **OK**.

You can also check the toner level of your printer and the job information on the **Printer Status** window.

NOTE:

- To modify the SimpleMonitor settings, select **Settings** in the window to select a printer.

Launcher (Windows Only)

The Launcher is installed with your print driver.

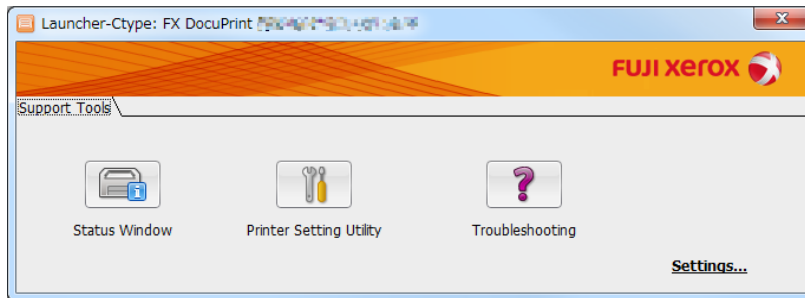
Using the **Launcher-Ctype** window, you can open the **Printer Status** window, Printer Setting Utility, and Troubleshooting Guide.

The following procedure uses Microsoft Windows 7 as an example.

To open the **Launcher-Ctype** window:

- 1 Click **Start** → **All Programs** → **Fuji Xerox** → **Fuji Xerox Printer Software for Asia-Pacific** → your printer → **Launcher**.

The **Launcher-Ctype** window appears.



- 2 The **Launcher-Ctype** window provides the following buttons; **Status Window**, **Printer Setting Utility**, and **Troubleshooting**.

To exit, click **X** (Close) at the top-right of the window.

For details, see the help for each application.

Status Window	Opens the Printer Status window. See also: <ul style="list-style-type: none">• "SimpleMonitor (Windows Only)" on page 24
Printer Setting Utility	Opens the Printer Setting Utility. See also: <ul style="list-style-type: none">• "Printer Setting Utility" on page 23
Troubleshooting	Opens the Troubleshooting Guide, which allows you to resolve issues by yourself.

Setup Disk Creation Tool

The Setup Disk Creation Tool program located in the **MakeDisk** folder of the **Utilities** folder on the *Software Pack CD-ROM* and the print driver located on the *Software Pack CD-ROM* are used to create driver installation packages that contain custom driver settings. A driver installation package can contain a group of saved print driver settings and other data such as:

- Print orientation and multiple-up (document settings)
- Output color (graphic setting)

If you want to install the print driver with the same settings on multiple computers running on the same operating system, create a setup disk in a media or in a server on the network. Using the setup disk that you have created will reduce the amount of work required when installing the print driver.

- Install the print driver for your printer on the computer on which the setup disk is to be created.
- The setup disk can only be used on the operating system on which the disk was created or computers running the same operating system. Create a separate setup disk for each of the operating systems.

Printer Connection and Software Installation

- "Overview of Printer Connection and Software Installation" on page 28
- "Connecting Your Printer" on page 30
- "Setting the IP Address (for IPv4 Mode)" on page 34
- "Configuring Printer and Installing Software on Windows" on page 37
- "Configuring Printer and Installing Software on Mac OS X" on page 59
- "Configuring Printer and Installing the Print Driver on Linux (CUPS)" on page 64

Overview of Printer Connection and Software Installation

Read this section to know the overall steps to complete the printer connection and software installation.

Select one of the following connection methods.

- USB connection
- Wireless connection

NOTE:

- If the *Software Pack CD-ROM* is not available, you can download the latest driver from our web site:
<http://www.fujixeroxprinters.com/>
- To use this printer in a Linux[®] environment, you need to install a Linux driver. For more information on how to install and use these, see also "Configuring Printer and Installing the Print Driver on Linux (CUPS)" on page 64.

■ USB Connection

• For Microsoft[®] Windows[®]

- 1 Connect the printer and the computer with the USB cable.
Refer to "USB Connection" on page 31.
- 2 Install the driver software on the computer from the *Software Pack CD-ROM*.
Refer to "Using Installer to Set Up Connection and Install Software" on page 38.

• For Mac OS X

- 1 Connect the printer and the computer with the USB cable.
Refer to "USB Connection" on page 31.
- 2 Install the driver software on the computer from the *Software Pack CD-ROM*.
Refer to "Configuring Printer and Installing Software on Mac OS X" on page 59.

■ Wireless Connection

• For Windows

- 1 Connect the printer to a wireless network.
Refer to "Wireless Connection" on page 31.
Perform the following steps as necessary.
If you set up wireless connection using the installer on the *Software Pack CD-ROM*, the following steps are not necessary.
- 2 Set the printer's IP address.
 - If DHCP is available on your network, refer to "Dynamic Methods of Setting the Printer's IP Address" on page 34.
 - You can also manually set the printer's IP address. Refer to "Assigning an IP Address Manually" on page 35.
- 3 Install the driver software on the computer from the *Software Pack CD-ROM*.
Refer to "Configuring Printer and Installing Software on Windows" on page 37.

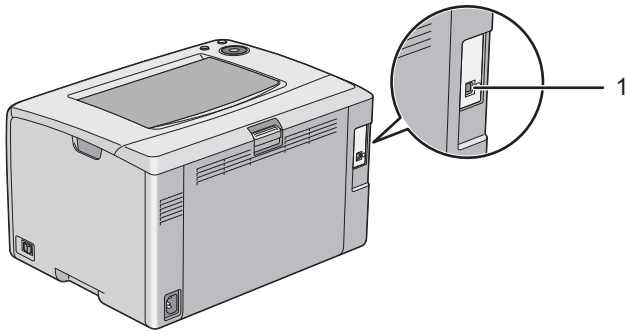
• For Mac OS X

- 1 Connect the printer to a wireless network.
Refer to "Wireless Connection" on page 31.
- 2 Set the printer's IP address.
 - If DHCP is available on your network, refer to "Dynamic Methods of Setting the Printer's IP Address" on page 34.
 - You can also manually set the printer's IP address. Refer to "Assigning an IP Address Manually" on page 35.
- 3 Install the driver software on the computer from the *Software Pack CD-ROM*.
Refer to "Configuring Printer and Installing Software on Mac OS X" on page 59.

Connecting Your Printer

To connect your printer to a computer or device, the following specification must be met for each of the connection type:

Connection Type	Connection Specifications
USB	USB2.0 compatible
Wireless	IEEE 802.11b/802.11g/802.11n



1 USB Port



■ Available Features for Each Connection Type

Connect the printer via USB or Wireless. A USB connection is a direct connection and is not used for networking. Wireless connection is used for networking. Hardware and cabling requirements vary for the different connection methods. Wireless LAN access point (Registrar) or router is not included with your printer and must be purchased separately.

The available features for each connection type are shown in the following table.

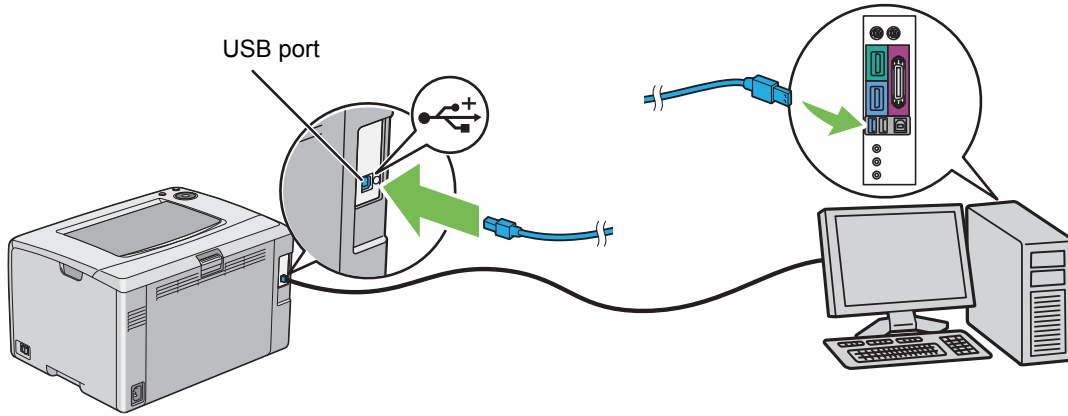
Connection Type	Available Feature
USB	<ul style="list-style-type: none"> • Instruct print jobs from a computer. • Use the Printer Setting Utility to view, specify or diagnose the system settings. • Use the SimpleMonitor to check the printer status. (Windows only)
Wireless	<ul style="list-style-type: none"> • Instruct print jobs from a computer on the network. • Use the CentreWare Internet Services to view the printer status or specify the printer settings. • Use the Printer Setting Utility to view, specify or diagnose the system settings. • Use the SimpleMonitor to check the printer status. (Windows only)

■ Connecting Printer to Your Computer

USB Connection

To connect the printer to a computer via USB:

- 1 Make sure that the printer is turned off and unplugged from the power source.
- 2 Connect the smaller USB connector into the USB port at the rear of the printer and the other end to a USB port of the computer.




NOTE:

- Do not connect the printer USB cable to the USB slot available on the keyboard.

Wireless Connection

This section describes how to connect the printer to a computer via wireless network.

Confirm that the  (Wi-Fi) LED is blinking before configuring the wireless connection.

IMPORTANT:

- The Wireless LAN feature is not available in all locations. Please check with your local Fuji Xerox representative for availability of wireless in your location.
- If you are using a method other than Wi-Fi Protected Setup™ (WPS) to configure your wireless network settings, be sure to get the SSID and security information from a system administrator before starting the setup procedure.
- Be sure to configure necessary settings on the wireless LAN access point (Registrar) or router before starting the printer setup. For information on the access point or router settings, refer to the manual supplied with the product.

The specifications of wireless setting function are described below:

Item	Specification
Connectivity	Wireless
Connectivity Standard	IEEE 802.11b/802.11g/802.11n compliant
Bandwidth	2.4 GHz
Data Transfer Rate	IEEE 802.11b mode: 11, 5.5, 2, 1 Mbps IEEE 802.11g mode: 54, 48, 36, 24, 18, 12, 9, 6 Mbps IEEE 802.11n mode: 65 Mbps
Security	64 (40-bit key)/128 (104-bit key) WEP, WPA™-PSK (TKIP, AES)* ² , WPA2™-PSK (AES)* ² (IEEE 802.1x attestation function of WPA 1x non-corresponds), Mixed Mode PSK
Wi-Fi Protected Setup (WPS)* ¹	Push Button Configuration (PBC), Personal Identification Number (PIN)

*¹ WPA stands for Wi-Fi Protected Access®.

*² WPS 2.0 compliant. WPS 2.0 works on access points with the following encryption types: Mixed Mode PSK, WPA-PSK-AES, WPA2-PSK-AES, Open (No Security)

You can select a method to configure a wireless setting from the following:

Using the installer on the *Software Pack CD-ROM (Windows Only)* (Recommended for initial setup)


Refer to "Launching the FX Printer Installation Screen" on page 38.

WPS-PBC ( (WPS) button)*


Refer to "WPS-PBC (WPS Button)" on page 32.

Manual SSID Setup


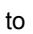
Refer to "Manual SSID Setup" on page 33.

* WPS-PBC (Wi-Fi Protected Setup-Push Button Configuration) is a method to authenticate and register devices required for wireless configuration, by starting WPS-PBC on the printer with the , and then pressing the button provided on the wireless LAN access point (Registrar) or router. This setting is available only when the access point supports WPS-PBC.


• WPS-PBC (WPS Button)


You can start WPS-PBC (Wi-Fi Protected Setup-Push Button Configuration) by pressing the  (WPS) button.

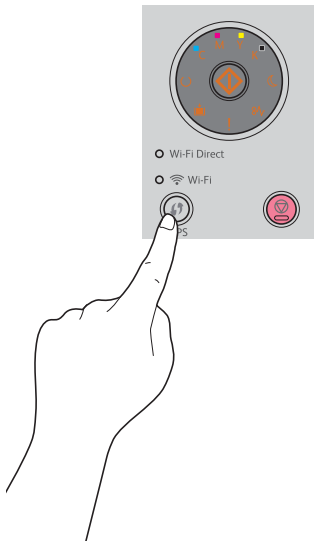
NOTE:

- WPS-PBC is available only when the wireless LAN access point (Registrar) or router supports WPS-PBC.
- Before starting WPS-PBC with the , confirm the position of the WPS button (button name may vary) on the wireless LAN access point (Registrar) or router. For information about the WPS operation on the wireless LAN access point (Registrar) or router, refer to the manual supplied with the product.
- The  (Wi-Fi) LED lights up or blinks to indicate the printer's wireless connection status. For more information, see "Status of Wi-Fi LED" on page 17.


If a problem occurs, see "Wireless Problems" on page 133.

- 1 Press and hold the  (WPS) button on the printer for three seconds.

Confirm that the  (Wi-Fi) LED starts to blink slowly.



- 2 Start the WPS operation on the wireless LAN access point (Registrar) or router within two minutes.

When WPS is successful, the  (Wi-Fi) LED lights up. The wireless connection is established and setup for wireless LAN is complete.

• Manual SSID Setup

If the installer software is already installed, you can assign the wireless setting by using the Printer Setting Utility. The following procedure uses Windows 7 as an example.

- 1 Click **Start** → **All Programs** → **Fuji Xerox** → **Fuji Xerox Printer Software for Asia-Pacific** → your printer → **Printer Setting Utility**.

NOTE:

- The window to select a printer appears in this step when multiple print drivers are installed on your computer. In this case, click the name of the desired printer listed in **Printer Name**.

The Printer Setting Utility appears.

- 2 Click the **Printer Maintenance** tab.
- 3 Select **Network Settings** from the list at the left side of the page.
The **Network Settings** page is displayed.
- 4 Enter the SSID under **Wireless Setup**.
- 5 Select the network mode from **Infrastructure** or **Ad-hoc** depending on your environment.
- 6 Select the encryption type from **Mixed Mode PSK**, **WPA2-PSK-AES**, or **WEP**.


IMPORTANT:

- Be sure to use one of the supported encryption types to protect your network traffic.

NOTE:

- If you have selected **Ad-hoc** for the network mode, **WEP** is the encryption type.
- If you have selected **Mixed Mode PSK** or **WPA2-PSK-AES**, enter the password. A password is an encryption key for WPA and WPA2 encryption which consists of 8 to 63 alphanumeric (and 64 hexadecimal) characters. It may be described as a key on some access points or routers. For details, refer to the manual supplied with the access point or router.

- 7 Click **Apply New Settings**.

When the Manual SSID Setup is successful, the  (**Wi-Fi**) LED lights up. The wireless connection is established and setup for wireless LAN is complete.

Setting the IP Address (for IPv4 Mode)

NOTE:

- To set an IP address for IPv6 in Dual Stack mode, use the CentreWare Internet Services. For more information, refer to the online Help on the CentreWare Internet Services. To display the CentreWare Internet Services in an IPv6 network, use a link local address. The printer's link local address is listed in the System Settings page. For details, see "Printing a System Settings Page" on page 95.

■ Printer's TCP/IP and IP Addresses

If your computer is on a large network, contact your network administrator for the appropriate TCP/IP addresses and additional system settings information.

If you are creating your own small local area network or connecting the printer directly to your computer using network, follow the procedure for automatically setting the printer's IP address.

Computers and printers primarily use TCP/IP protocols to communicate over a network. With TCP/IP protocols, each printer and computer must have a unique IP address. It is important that the addresses are similar, but not the same; only the last digit needs to be different. For example, your printer can have the address 192.0.2.1 while your computer has the address 192.0.2.2. Another device can have the address 192.0.2.3.

Many networks have a Dynamic Host Configuration Protocol (DHCP) server. A DHCP server automatically programs an IP address into every computer and printer on the network that is configured to use DHCP. A DHCP server is built into most cable and Digital Subscriber Line (DSL) routers. If you use a cable or DSL router, see your router's documentation for information on IP addressing.

■ Dynamic Methods of Setting the Printer's IP Address

The DHCP and AutoIP protocols are available for dynamically setting the printer's IP address. They are enabled by default in your printer.

You can turn on/off both protocols using the Printer Setting Utility or CentreWare Internet Services.

NOTE:

- You can print a report that includes the printer's IP address. For more information, refer to "Printing a System Settings Page" on page 95.

Using the Printer Setting Utility

The following procedure uses Windows 7 as an example.

- 1 Click **Start** → **All Programs** → **Fuji Xerox** → **Fuji Xerox Printer Software for Asia-Pacific** → your printer → **Printer Setting Utility**.

NOTE:

- The window to select a printer appears in this step when multiple print drivers are installed on your computer. In this case, click the name of the desired printer listed in **Printer Name**.

The Printer Setting Utility appears.

- 2 Click the **Printer Maintenance** tab.
- 3 Select **TCP/IP Settings** from the list at the left side of the page.
The **TCP/IP Settings** page is displayed.
- 4 In the **IP Address Mode** field under **IPv4 Settings**, select the **DHCP/AutoIP** option.
- 5 Click **Apply New Settings**.
- 6 Click **Restart printer to apply new settings** to take effect.

Using the CentreWare Internet Services

- 1 Launch your web browser.
- 2 Enter the IP address of the printer in the address bar, and then press the **Enter** key.
- 3 Select the **Properties** tab.
- 4 Select **TCP/IP** from the **Protocol Settings** folder on the left navigation panel.
- 5 In the **IP Address Mode** field under **IPv4**, select the **DHCP / AutoIP** option.
- 6 Click **Apply**.
- 7 Click **Reboot Machine** to restart the printer.

■ Assigning an IP Address Manually

NOTE:

- When you assign an IP address manually in IPv6 mode, use the Printer Setting Utility or CentreWare Internet Services. To display the CentreWare Internet Services, use the link local address. To check a link local address, see "Printing a System Settings Page" on page 95.
- Assigning an IP address is considered as an advanced function and is normally performed by a system administrator.
- Depending on the address class, the range of the IP address assigned may be different. On Class A, for example, an IP address in the range from 0.0.0.0 to 127.255.255.255 will be assigned. For assignment of IP addresses, contact your system administrator.

You can assign the IP address by using the Printer Setting Utility or CentreWare Internet Services.

For Windows, you can also assign the IP address to the printer using the installer on the *Software Pack CD-ROM*.

Using the Printer Setting Utility

The following procedure uses Windows 7 as an example.

- 1 Click **Start** → **All Programs** → **Fuji Xerox** → **Fuji Xerox Printer Software for Asia-Pacific** → your printer → **Printer Setting Utility**.

NOTE:

- The window to select a printer appears in this step when multiple print drivers are installed on your computer. In this case, click the name of the desired printer listed in **Printer Name**.

The Printer Setting Utility appears.

- 2 Click the **Printer Maintenance** tab.
- 3 Select **TCP/IP Settings** from the list at the left side of the page.
The **TCP/IP Settings** page is displayed.
- 4 Select **Manual** from **IP Address Mode**, and then enter the values in **IP Address**, **Subnet Mask**, and **Gateway Address** under **IPv4 Settings**.
- 5 Click **Restart printer to apply new settings** to take effect.

Using the Installer on the Software Pack CD-ROM (Windows Only)

You can assign the IP address to the printer when setting up the printer with the installer on the *Software Pack CD-ROM*.

When you use the manual Wireless setup method, the installer detects the printer by the automatically assigned IP address. You can modify the assigned IP address to the desired IP address by clicking **Advanced** on the **Configure Printer** screen while in the setup process.

See also:

- "Dynamic Methods of Setting the Printer's IP Address" on page 34

The IP address is assigned to your printer. To verify the setting, display the web browser on any computer connected to the network and enter the IP address into the address bar on the browser. If the IP address is set up correctly, the CentreWare Internet Services is displayed in your browser.

■ Verifying the IP Settings

You can confirm the settings by printing the System Settings page or using the ping command.

Printing the System Settings Page

- 1 Print the System Settings page.

See also:

- "Printing a System Settings Page" on page 95

- 2 Look under the **IPv4** heading of **TCP/IP** on the **Wireless Network** section of the System Settings page to confirm that the IP address, subnet mask, and gateway address are appropriate.

If the IP address is **0.0.0.0** (the factory default) or **169.254.xx.xx**, an IP address has not been assigned.

If the IP address is not resolved automatically, see "Assigning an IP Address Manually" on page 35.

Using the Ping Command

To verify if the printer is active on the network, run the ping command in your computer.

The following procedure uses Windows 7 as an example.

- 1 Click **Start** → **All Programs** → **Accessories** → **Run**.
- 2 Enter "cmd", and then click **OK**.
The **Command Prompt** window is displayed.
- 3 Enter "ping xxx.xxx.xxx.xxx" (xxx.xxx.xxx.xxx is the IP address of your printer), and then press the **Enter** key.
Receiving the reply from the printer IP address means that the printer is appropriately connected to the network.

Configuring Printer and Installing Software on Windows

■ Identifying Print Driver Pre-install Status (for Network Connection Setup)

Before installing the print driver on your computer, check the IP address of your printer and change the firewall settings.

Checking the IP Address for Your Printer

- 1 Print the System Settings page to check the IP address.

See also:

- "Printing a System Settings Page" on page 95

- 2 Confirm the IP address under **Wireless Network** on the System Settings page.

If the IP address is **0.0.0.0**, wait for a few minutes to resolve the IP address automatically, and then print the System Settings page again.

If the IP address is not resolved automatically, see "Assigning an IP Address Manually" on page 35.

Changing the Firewall Settings Before Installing Your Printer

You may need to change the firewall settings before installing the printer software. Contact your network administrator for more information.

The following procedure uses Windows 7 as an example.

- 1 Insert the *Software Pack CD-ROM* into your computer.
- 2 Click **Start** → **Control Panel**.
- 3 Click **System and Security**.
- 4 Click **Allow a program through Windows Firewall**.
- 5 Click **Change settings**.
- 6 Click **Allow another program**.
- 7 Click **Browse**.
- 8 Enter "D:\setup.exe" (in case your optical disk drive is D) in the **File name** text box, and then click **Open**.
- 9 Click **Add**.
- 10 Click **OK**.

■ Using Installer to Set Up Connection and Install Software

NOTE:

- The following procedure sets up printer connection, and then install the print driver and software. If you have already established printer connection, go to "Using Installer to Install Software" on page 40 to install the print driver and software immediately.

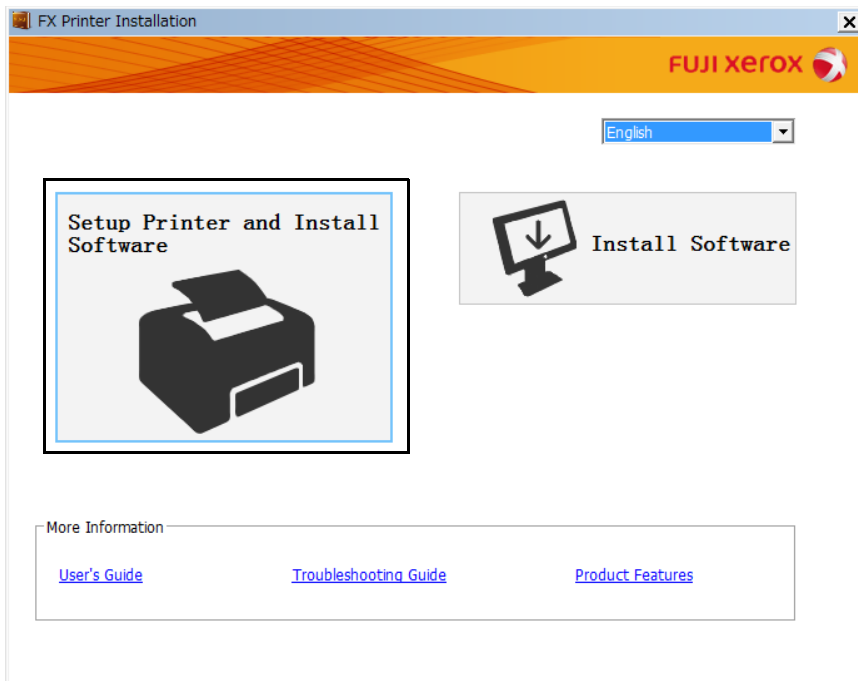
Launching the FX Printer Installation Screen

- 1 Insert the *Software Pack CD-ROM* into your computer to start the **FX Printer Installation** screen.

NOTE:

- For Windows 8, Windows 8.1, Windows Server® 2012, and Windows Server 2012 R2, click the message displayed on the upper right corner of the screen, and then select **Run setup.exe**.
- If the CD does not automatically launch, perform the following steps.
 - a For Windows Server 2003, Windows Server 2008, and Windows Server 2008 R2, click **Start** → **Run**.
For Windows Vista® and Windows 7, click **Start** → **All Programs** → **Accessories** → **Run**.
For Windows 8 and Windows Server 2012, right-click on the **Start** screen and click **All apps** → **Run**.
For Windows 8.1 and Windows Server 2012 R2, click Ⓣ on the **Start** screen → **Run**.
 - b Enter "D:\setup.exe" (in case your optical disk drive is D), and then click **OK**.

- 2 Click **Setup Printer and Install Software**.

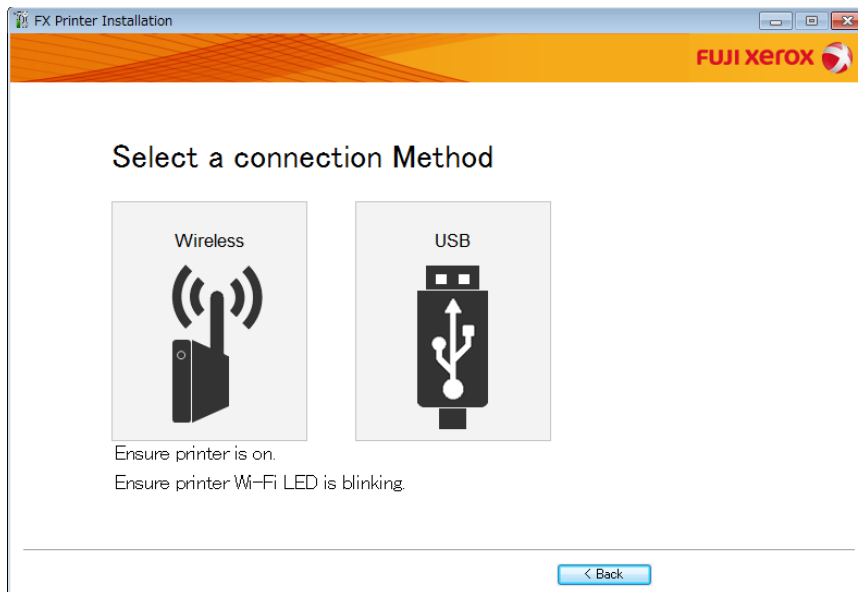


- 3 If you agree to the terms of the **License Agreement**, choose **I accept the terms of the license agreement**, and then click **Next**.

- 4 Select a connection method to the printer.

For the wireless connection, go to "Configuring Wireless Connection Settings" on page 39.


For the USB connection, go to "Configuring USB Connection Settings" on page 39.



Configuring Wireless Connection Settings

The installer software connects the printer and installs the required drivers and software.

The connection procedure varies depending on how your network and computer are set up.

- 1 Confirm that the printer is turned on and the  (Wi-Fi) LED is blinking.
- 2 Click **Wireless** on the **Select a connection Method** screen.
- 3 Follow the instructions displayed on the screen.
 - If the software detects your network and printer, the **SSID** and **Printer name** will be displayed. Confirm the **SSID** and **Printer name** and then click **Next**.
 - If the **Press "WPS" button on Printer and WPS button on Router** screen is displayed, follow the steps displayed on the screen.
 - In case the WPS button is not available on your router or you want to set up manually, click **Manual settings** and follow the instructions displayed on the screen.
- 4 Click **Finish** to exit the wizard when the **Ready to Print!** screen appears. If necessary, click **Print Test Page** to verify installation.

Configuring USB Connection Settings

- 1 Confirm that the USB cable is connected to the computer and the printer, and the printer is turned on.

NOTE:

- For Windows Vista, Windows Server 2003, or Windows Server 2008, if **Found New Hardware Wizard** appears, click **Cancel**.

- 2 Click **USB** on the **Select a connection Method** screen.

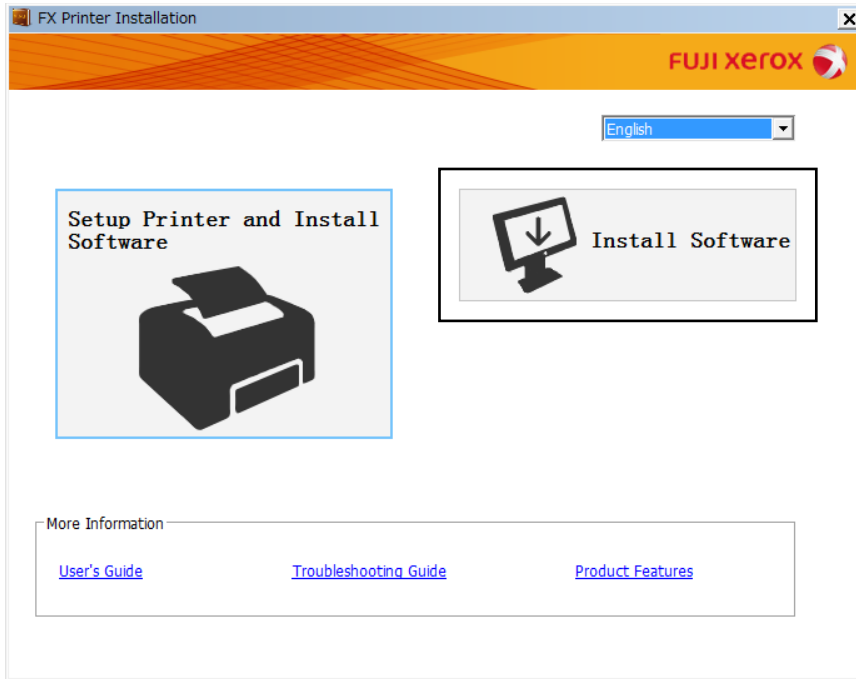
The Plug and Play installation starts and the required driver and software are automatically installed.
- 3 Click **Finish** to exit the wizard when the **Ready to Print!** screen appears. If necessary, click **Print Test Page** to verify installation.

■ Using Installer to Install Software

If the printer connection via USB/Wireless is already configured and you want to perform the print driver and software installation only, follow the procedure below.

If you have executed the steps in "Using Installer to Set Up Connection and Install Software" on page 38, the following procedure is not necessary.

1 Click **Install Software**.



2 If you agree to the terms of the **License Agreement**, choose **I accept the terms of the license agreement**, and then click **Next**.

3 Choose an installation type, and then click **Next**.

For the printer connected to your computer using the USB cable, select **Personal Installation**.

For the printer connected to a wireless network, select **Network Installation**.

4 Follow the instructions displayed on the screen to complete the installation.

■ Installing the XML Paper Specification (XPS) Print Driver

This section describes how to install the XML Paper Specification (XPS) print driver using the Windows **Add Printer** wizard.

NOTE:

- The XML Paper Specification (XPS) driver is supported on Windows Vista and later operating systems.
- To print with the XML Paper Specification (XPS) driver, the following components are required on your computer.

For Windows Vista, Windows Vista 64-bit Edition, Windows Server 2008, Windows Server 2008 64-bit Edition, Windows Server 2008 R2, Windows 7, and Windows 7 64-bit Edition:

- .Net Framework 4 or 4.5
- Visual C++[®] Redistributable Packages for Visual Studio[®] 2012

For Windows 8, Windows 8 64-bit Edition, Windows Server 2012, Windows 8.1, Windows 8.1 64-bit Edition, and Windows Server 2012 R2:

- Visual C++ Redistributable Packages for Visual Studio 2012

Getting the Driver File

- 1 Insert the *Software Pack CD-ROM* into your computer.
- 2 Extract the zip file in the following path to your desired location.

D:\Drivers\XPS\Win_7Vista

D:\Drivers\XPS\Win_8

(in case your optical disk drive is D)

NOTE:

- XPS stands for XML Paper Specification.

Installing the Print Driver

• USB Connection Setup

Windows Vista or Windows Vista 64-bit Edition

- 1 Click **Start** → **Control Panel** → **Hardware and Sound** → **Printers**.
 - 2 Click **Add a printer**.
 - 3 Click **Add a local printer**.
 - 4 Select the port connected to your printer, and then click **Next**.
 - 5 Click **Have Disk** to display the **Install From Disk** dialog box.
 - 6 Click **Browse**, and then select the extracted setup information (.inf) file in "Getting the Driver File" on page 41.
 - 7 Click **Open**.
 - 8 Click **OK**.
 - 9 Select your printer name, and then click **Next**.
 - 10 To change the printer name, enter the printer name in the **Printer name** box.
To use this printer as the default printer, select the **Set as the default printer** check box displayed under the **Printer name**.
 - 11 Click **Next**.
Installation starts.
If the **User Account Control** dialog box appears, click **Continue**.
- NOTE:**
- If you are an administrator on the computer, click **Continue**; otherwise, contact your administrator to continue the desired action.
- 12 Upon completion of the driver installation, click **Print a test page** to verify installation.
 - 13 Click **Finish**.

Windows Server 2008 or Windows Server 2008 64-bit Edition

NOTE:

- You must log in as an administrator.
- 1 Click **Start** → **Control Panel** → **Hardware and Sound** → **Printers**.
 - 2 Click **Add a printer**.
 - 3 Click **Add a local printer**.
 - 4 Select the port connected to your printer, and then click **Next**.
 - 5 Click **Have Disk** to display the **Install From Disk** dialog box.
 - 6 Click **Browse**, and then select the extracted setup information (.inf) file in "Getting the Driver File" on page 41.
 - 7 Click **Open**.
 - 8 Click **OK**.
 - 9 Select your printer name, and then click **Next**.
 - 10 To change the printer name, enter the printer name in the **Printer name** box.
To use this printer as the default printer, select the **Set as the default printer** check box.
 - 11 Click **Next**.
Installation starts.
 - 12 If you do not share your printer, select **Do not share this printer**.
If you share your printer, select **Share this printer so that others on your network can find and use it**.
 - 13 Click **Next**.
 - 14 Upon completion of the driver installation, click **Print a test page** to verify installation.
 - 15 Click **Finish**.

Windows 7, Windows 7 64-bit Edition, or Windows Server 2008 R2

- 1 Click **Start** → **Devices and Printers**.
 - 2 Click **Add a printer**.
If the **User Account Control** dialog box appears, click **Yes**.
- ### NOTE:
- If you are an administrator on the computer, click **Yes**; otherwise, contact your administrator to continue the desired action.
- 3 Click **Add a local printer**.
 - 4 Select the port connected to your printer, and then click **Next**.
 - 5 Click **Have Disk** to display the **Install From Disk** dialog box.
 - 6 Click **Browse**, and then select the extracted setup information (.inf) file in "Getting the Driver File" on page 41.
 - 7 Click **Open**.
 - 8 Click **OK**.
 - 9 Select your printer name, and then click **Next**.
 - 10 To change the printer name, enter the printer name in the **Printer name** box, and then click **Next**.
Installation starts.

- 11 If you do not share your printer, select **Do not share this printer**.
If you share your printer, select **Share this printer so that others on your network can find and use it**.
- 12 Click **Next**.
- 13 To use this printer as the default printer, select the **Set as the default printer** check box.
- 14 Upon completion of the driver installation, click **Print a test page** to verify installation.
- 15 Click **Finish**.

Windows 8, Windows 8 64-bit Edition, Windows 8.1, Windows 8.1 64-bit Edition, Windows Server 2012, or Windows Server 2012 R2

- 1 On the **Desktop** screen, place the mouse pointer in the upper right corner of the screen and move the mouse down, and then select **Settings**.
- 2 Click **Control Panel** → **Hardware and Sound** (**Hardware** for Windows Server 2012 and Windows Server 2012 R2) → **Devices and Printers**.
- 3 Click **Add a printer**.
- 4 Click **The printer that I want isn't listed**.
- 5 Select **Add a local printer or network printer with manual settings**, and then click **Next**.
- 6 Select the port connected to your printer, and then click **Next**.
- 7 Click **Have Disk** to display the **Install From Disk** dialog box.
- 8 Click **Browse**, and then select the extracted setup information (.inf) file in "Getting the Driver File" on page 41.
- 9 Click **Open**.
- 10 Click **OK**.
- 11 Select your printer name, and then click **Next**.
- 12 To change the printer name, enter the printer name in the **Printer name** box, and then click **Next**.
Installation starts.
If the **User Account Control** dialog box appears, click **Yes**.
NOTE:
 - If you are an administrator on the computer, click **Yes**; otherwise, contact your administrator to continue the desired action.
- 13 If you do not share your printer, select **Do not share this printer**.
If you share your printer, select **Share this printer so that others on your network can find and use it**.
- 14 Click **Next**.
- 15 To use this printer as the default printer, select the **Set as the default printer** check box.
- 16 Upon completion of the driver installation, click **Print a test page** to verify installation.
- 17 Click **Finish**.

• Network Connection Setup

Windows Vista and Windows Vista 64-bit Edition

- 1 Click **Start** → **Control Panel** → **Hardware and Sound** → **Printers**.
 - 2 Click **Add a printer**.
 - 3 Click **Add a network, wireless or Bluetooth printer**.
 - 4 Select a printer or click **The printer that I want isn't listed**.
If you have selected your printer, go to step 7.
If you have clicked **The printer that I want isn't listed**, go to step 5.
 - 5 Select **Add a printer using a TCP/IP address or host name**, and then click **Next**.
 - 6 Select **TCP/IP Device** from **Device type**, and enter the IP address in the **Hostname or IP address** box, and then click **Next**.
If the **User Account Control** dialog box appears, click **Continue**.
- NOTE:**
- If you are an administrator on the computer, click **Continue**; otherwise, contact your administrator to continue the desired action.
- 7 Click **Have Disk** to display the **Install From Disk** dialog box.
 - 8 Click **Browse**, and then select the extracted setup information (.inf) file in "Getting the Driver File" on page 41.
 - 9 Click **Open**.
 - 10 Click **OK**.
 - 11 Select your printer name, and then click **Next**.
 - 12 To change the printer name, enter the printer name in the **Printer name** box.
To use this printer as the default printer, select the **Set as the default printer** check box.
 - 13 Click **Next**.
Installation starts.
 - 14 Upon completion of the driver installation, click **Print a test page** to verify installation.
 - 15 Click **Finish**.

Windows Server 2008 and Windows Server 2008 64-bit Edition

NOTE:

- You must log in as an administrator.

- 1 Click **Start** → **Control Panel** → **Hardware and Sound** → **Printers**.
- 2 Click **Add a printer**.
- 3 Click **Add a network, wireless or Bluetooth printer**.
- 4 Select a printer or click **The printer that I want isn't listed**.
If you have selected your printer, go to step 7.
If you have clicked **The printer that I want isn't listed**, go to step 5.
- 5 Select **Add a printer using a TCP/IP address or host name**, and then click **Next**.

6 Select **TCP/IP Device** from **Device type**, and enter the IP address in the **Hostname or IP address** box, and then click **Next**.

If the **User Account Control** dialog box appears, click **Continue**.

NOTE:

- If you are an administrator on the computer, click **Continue**; otherwise, contact your administrator to continue the desired action.

7 Click **Have Disk** to display the **Install From Disk** dialog box.

8 Click **Browse**, and then select the extracted setup information (.inf) file in "Getting the Driver File" on page 41.

9 Click **Open**.

10 Click **OK**.

11 Select your printer name, and then click **Next**.

12 To change the printer name, enter the printer name in the **Printer name** box.

To use this printer as the default printer, select the **Set as the default printer** check box.

13 Click **Next**.

Installation starts.

14 If you do not want your printer shared, select **Do not share this printer**. Otherwise, select **Share this printer so that others on your network can find and use it**.

15 Click **Next**.

16 Upon completion of the driver installation, click **Print a test page** to verify installation.

17 Click **Finish**.

Windows Server 2008 R2

1 Click **Start** → **Devices and Printers**.

2 Click **Add a printer**.

3 Click **Add a network, wireless or Bluetooth printer**.

4 Select a printer or click **The printer that I want isn't listed**.

NOTE:

- If you click **The printer that I want isn't listed**, the **Find a printer by name or TCP/IP address** screen appears. Find your printer on the screen.

If the **User Account Control** dialog box appears, click **Continue**.

NOTE:

- If you are an administrator on the computer, click **Continue**; otherwise, contact your administrator to continue the desired action.

5 Click **Have Disk** to display the **Install From Disk** dialog box.

6 Click **Browse**, and then select the extracted setup information (.inf) file in "Getting the Driver File" on page 41.

7 Click **Open**.

8 Click **OK**.

9 Select your printer name, and then click **Next**.

10 To change the printer name, enter the printer name in the **Printer name** box, and then click **Next**.

Installation starts.

- 11 If you do not want your printer shared, select **Do not share this printer**. Otherwise, select **Share this printer so that others on your network can find and use it**.
- 12 Click **Next**.
- 13 To use this printer as the default printer, select the **Set as the default printer** check box.
- 14 Upon completion of the driver installation, click **Print a test page** to verify installation.
- 15 Click **Finish**.

Windows 7 and Windows 7 64-bit Edition

- 1 Click **Start** → **Devices and Printers**.
 - 2 Click **Add a printer**.
 - 3 Click **Add a network, wireless or Bluetooth printer**.
 - 4 Select a printer or click **The printer that I want isn't listed**.
If you have selected your printer, go to step 7.
If you have clicked **The printer that I want isn't listed**, go to step 5.
 - 5 Select **Add a printer using a TCP/IP address or hostname**, and then click **Next**.
 - 6 Select **TCP/IP Device** from **Device type**, and enter the IP address in the **Hostname or IP address** box, and then click **Next**.
If the **User Account Control** dialog box appears, click **Yes**.
- NOTE:**
- If you are an administrator on the computer, click **Yes**; otherwise, contact your administrator to continue the desired action.
- 7 Click **Have Disk** to display the **Install From Disk** dialog box.
 - 8 Click **Browse**, and then select the extracted setup information (.inf) file in "Getting the Driver File" on page 41.
 - 9 Click **Open**.
 - 10 Click **OK**.
 - 11 Select your printer name, and then click **Next**.
 - 12 To change the printer name, enter the printer name in the **Printer name** box, and then click **Next**.
Installation starts.
 - 13 If you do not want your printer shared, select **Do not share this printer**. Otherwise, select **Share this printer so that others on your network can find and use it**.
 - 14 Click **Next**.
 - 15 To use this printer as the default printer, select the **Set as the default printer** check box.
 - 16 Upon completion of the driver installation, click **Print a test page** to verify installation.
 - 17 Click **Finish**.

Windows 8, Windows 8 64-bit Edition, Windows 8.1, Windows 8.1 64-bit Edition, Windows Server 2012, or Windows Server 2012 R2

- 1** On the **Desktop** screen, place the mouse pointer in the upper right corner of the screen and move the mouse down, and then select **Settings**.
 - 2** Click **Control Panel** → **Hardware and Sound** (**Hardware** for Windows Server 2012 and Windows Server 2012 R2) → **Devices and Printers**.
 - 3** Click **Add a printer**.
 - 4** Select a printer or click **The printer that I want isn't listed**.
If you have selected your printer, go to step **7**.
If you have clicked **The printer that I want isn't listed**, go to step **5**.
 - 5** Select **Add a printer using a TCP/IP address or host name**, and then click **Next**.
 - 6** Select **TCP/IP Device** from **Device type**, and enter the IP address in the **Hostname or IP address** box, and then click **Next**.
 - 7** Click **Have Disk** to display the **Install From Disk** dialog box.
 - 8** Click **Browse**, and then select the extracted setup information (.inf) file in "Getting the Driver File" on page 41.
 - 9** Click **Open**.
 - 10** Click **OK**.
 - 11** Select your printer name, and then click **Next**.
 - 12** To change the printer name, enter the printer name in the **Printer name** box, and then click **Next**.
Installation starts.
If the **User Account Control** dialog box appears, click **Yes**.
- NOTE:**
- If you are an administrator on the computer, click **Yes**; otherwise, contact your administrator to continue the desired action.
- 13** If you do not want your printer shared, select **Do not share this printer**. Otherwise, select **Share this printer so that others on your network can find and use it**.
 - 14** Click **Next**.
 - 15** To use this printer as the default printer, select the **Set as the default printer** check box.
 - 16** Upon completion of the driver installation, click **Print a test page** to verify installation.
 - 17** Click **Finish**.

■ Setting Up for Web Services on Devices (WSD)

This section provides information for network printing with Web Services on Devices (WSD), the Microsoft protocol for Windows Vista and later operating systems.

For Windows Vista, Windows 7, Windows 8, and Windows 8.1, your printer is added with Web Services on Devices (WSD) by using the installer on the *Software Pack CD-ROM*. For details, see "Using Installer to Set Up Connection and Install Software" on page 38.

For Windows Server 2008, Windows Server 2008 R2, Windows Server 2012, and Windows Server 2012 R2, you need to add the roles of print services first, and then install the print driver using the Windows **Add Printer** wizard. Follow the instructions below.

Adding Roles of Print Services

• For Windows Server 2008

- 1 Click **Start** → **Administrative Tools** → **Server Manager**.
- 2 From the **Action** menu, select **Add Roles**.
- 3 Select the **Print Services** check box on the **Server Roles** window in the **Add Roles Wizard**, and then click **Next**.
- 4 Click **Next**.
- 5 Select the **Print Server** check box, and then click **Next**.
- 6 Click **Install**.

• For Windows Server 2008 R2

- 1 Click **Start** → **Administrative Tools** → **Server Manager**.
- 2 From the **Action** menu, select **Add Roles**.
- 3 Select the **Print and Document Services** check box on the **Server Roles** window in the **Add Roles Wizard**, and then click **Next**.
- 4 Click **Next**.
- 5 Select the **Print Server** check box, and then click **Next**.
- 6 Click **Install**.

• For Windows Server 2012 and Windows Server 2012 R2

- 1 On the **Start** screen, click **Server Manager**.
- 2 Click **Add roles and features** to start **Add Roles and Features Wizard**.
- 3 Specify the settings and click **Next** until the **Select server roles** screen is displayed.
- 4 Select the **Print and Document Services** check box.
- 5 On the pop-up window, click **Add Features**.
- 6 Click **Next**.
- 7 Click **Next** on the **Select features** screen.
- 8 Read the explanation for **Print and Document Services** and click **Next**.
- 9 Select the **Print Server** check box, and then click **Next**.
- 10 Click **Install**.

WSD (Web Services on Devices) Printer Setup

You can install your new printer on the network using Windows **Add Printer** wizard. When installing using the Software Pack CD-ROM that shipped with your printer, see "Using Installer to Set Up Connection and Install Software" on page 38.

• Installing a Print Driver Using the Add Printer Wizard

- 1 For Windows 7 and Windows Server 2008 R2, click **Start** → **Devices and Printers**.

For Windows Vista, click **Start** → **Control Panel** → **Hardware and Sound** → **Printers**.

For Windows Server 2008, click **Start** → **Control Panel** → **Printer**.

For Windows 8 and Windows 8.1, on the **Desktop** screen, place the mouse pointer in the upper right corner of the screen and move the mouse down, and then select **Settings**. Click **Control Panel** → **Hardware and Sound** → **Devices and Printers**.

For Windows Server 2012 and Windows Server 2012 R2, on the **Desktop** screen, place the mouse pointer in the upper right corner of the screen and move the mouse down, and then select **Settings**. Click **Control Panel** → **Hardware** → **Devices and Printers**.

- 2 Click **Add a printer** to launch the **Add Printer** Wizard.

For Windows 8, Windows 8.1, Windows Server 2012, and Windows Server 2012 R2, go to step 4.

- 3 Select **Add a network, wireless or Bluetooth printer**.

- 4 In the list of available printers, select the one you want to use, and then click **Next**.

NOTE:

- In the list of available printers, the WSD (Web Services on Devices) printer is displayed in the form of `http://IP address/[UUID]`.
- If no WSD (Web Services on Devices) printer is displayed in the list, enter the printer's IP address manually to create a WSD (Web Services on Devices) printer. To enter the printer's IP address manually, follow the instructions below. To create a WSD (Web Services on Devices) printer, you must be a member of Administrators group.

- 1 Click **The printer that I want isn't listed**.

- 2 Select **Add a printer using a TCP/IP address or hostname** and click **Next**.

- 3 Select **Web Services Device** from **Device type**.

- 4 Enter the printer's IP address in the **Hostname or IP address** text box and click **Next**.

- Before installing the driver using the **Add Printer** wizard on Windows Server 2008 R2, add the print driver to your computer.

- 5 If prompted, install the print driver on your computer. If you are prompted for an administrator password or confirmation, type the password or provide confirmation.

- 6 Complete the additional steps in the wizard, and then click **Finish**.

- 7 Print a test page to verify printer installation.

- a Open the **Devices and Printers** or **Printers** folder by performing step 1.

- b Right-click the printer you just created, and then click **Printer properties** (**Properties** for Windows Vista and Windows Server 2008).

- c On the **General** tab, click **Print Test Page**. When a test page is printed successfully, the installation is complete.

■ Setting Up for Shared Printing

You can share your new printer on the network using the *Software Pack CD-ROM* that shipped with your printer, or using Windows Point and Print or peer-to-peer method.

This section describes Point and Print and peer-to-peer methods. Configure the printer sharing settings on the server computer, and then install its driver on all the client computers that use the shared printer by Point and Print or peer-to-peer method. Using either of the methods, however, you will not be able to use features such as the SimpleMonitor and other printer utilities, which will be installed from the *Software Pack CD-ROM*.

Configuring the Sharing Settings of Your Printer

• For Windows Server 2003 and Windows Server 2003 x64 Edition

- 1 Click **Start** → **Printers and Faxes**.
- 2 Right-click this printer icon and select **Properties**.
- 3 From the **Sharing** tab, select the **Share this printer** check box, and then enter a name in the **Share name** text box.
- 4 Click **Additional Drivers** and select the operating systems of all network clients using this printer.
- 5 Click **OK**.
If the files are not present in your computer, insert the server operating system CD.
- 6 Click **Apply**, and then click **OK**.

• For Windows Vista and Windows Vista 64-bit Edition

- 1 Click **Start** → **Control Panel** → **Hardware and Sound** → **Printers**.
- 2 Right-click the printer icon and select **Sharing**.
- 3 Click **Change sharing options**.
The "Windows needs your permission to continue" appears.
- 4 Click **Continue**.
- 5 Select the **Share this printer** check box, and then enter a name in the **Share name** text box.
- 6 Select **Additional Drivers** and select the operating systems of all network clients using this printer.
- 7 Click **OK**.
- 8 Click **Apply**, and then click **OK**.

• For Windows Server 2008 and Windows Server 2008 64-bit Edition

- 1 Click **Start** → **Control Panel** → **Hardware and Sound** → **Printers**.
- 2 Right-click the printer icon and select **Sharing**.
- 3 Select the **Share this printer** check box, and then enter a name in the **Share name** text box.
- 4 Click **Additional Drivers** and select the operating systems of all network clients using this printer.
- 5 Click **OK**.
- 6 Click **Apply**, and then click **OK**.

- **For Windows 7, Windows 7 64-bit Edition, and Windows Server 2008 R2**

- 1 Click **Start** → **Devices and Printers**.
- 2 Right-click the printer icon and select **Printer properties**.
- 3 On the **Sharing** tab, select the **Share this printer** check box, and then enter a name in the **Share name** text box.
- 4 Click **Additional Drivers** and select the operating systems of all network clients using this printer.
- 5 Click **OK**.
- 6 Click **Apply**, and then click **OK**.

- **For Windows 8, Windows 8 64-bit Edition, Windows 8.1, Windows 8.1 64-bit Edition, Windows Server 2012, and Windows Server 2012 R2**

- 1 On the **Desktop** screen, place the mouse pointer in the upper right corner of the screen and move the mouse down, and then select **Settings**.
- 2 Click **Control Panel** → **Hardware and Sound** (**Hardware** for Windows Server 2012 and Windows Server 2012 R2) → **Devices and Printers**.
- 3 Right-click the printer icon and select **Printer properties**.
- 4 On the **Sharing** tab, select the **Share this printer** check box, and then enter a name in the **Share name** text box.
- 5 Click **Additional Drivers** and select the operating systems of all network clients using this printer.
- 6 Click **OK**.
- 7 Click **Apply**, and then click **OK**.

To check that the printer is shared:

- Make sure that the printer object in the **Printers, Printers and Faxes**, or **Devices and Printers** folder is shared. The share icon is displayed under the printer icon.
- Browse **Network** or **My Network Places**. Find the host name of the server and look for the shared name you assigned to the printer.

Now that the printer is shared, you can install the printer on network clients using the Point and Print method or the peer-to-peer method.

Point and Print

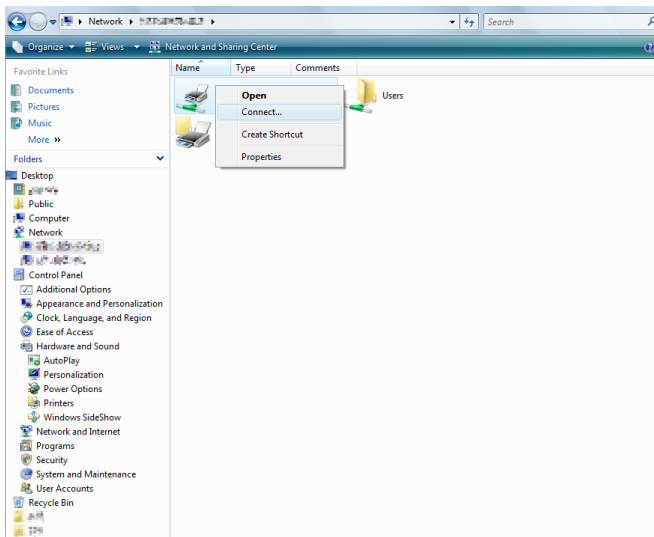
Point and Print is a Microsoft Windows technology that allows you to connect to a remote printer. This feature automatically downloads and installs the print driver.

• For Windows Server 2003 and Windows Server 2003 x64 Edition

- 1 On the Windows desktop of the client computer, double-click **My Network Places**.
- 2 Locate the host name of the server computer, and then double-click the host name.
- 3 Right-click the shared printer name, and then click **Connect**.
- 4 Wait until the driver is copied from the server to the client computer.
A new printer object is added to the **Printers and Faxes** folder. The duration of this procedure may vary based on the network traffic.
- 5 Close **My Network Places**.
- 6 Print a test page to verify installation.
 - a Click **Start** → **Printers and Faxes**.
 - b Select the printer you have installed.
 - c Click **File** → **Properties**.
 - d On the **General** tab, click **Print Test Page**.When a test page is printed successfully, the installation is complete.

• For Windows Vista and Windows Vista 64-bit Edition

- 1 Click **Start** → **Network**.
- 2 Locate and double-click the host name of the server computer.
- 3 Right-click the shared printer name, and then click **Connect**.



- 4 Click **Install driver**.
- 5 Click **Continue** in the **User Account Control** dialog box.
- 6 Wait until the driver is copied from the server to the client computer.
A new printer object is added to the **Printers** folder. The duration of this procedure may vary based on the network traffic.

- 7 Print a test page to verify installation.
 - a Click **Start** → **Control Panel** → **Hardware and Sound**.
 - b Select **Printers**.
 - c Right-click the printer you just created and select **Properties**.
 - d On the **General** tab, click **Print Test Page**.

When a test page is printed successfully, the installation is complete.

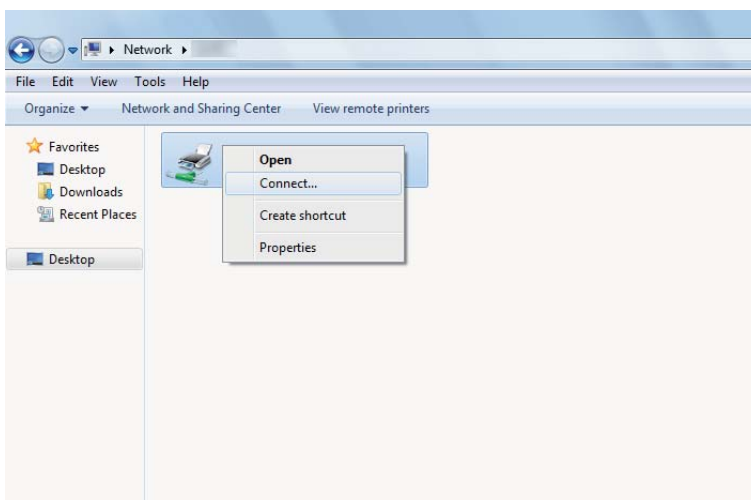
• **For Windows Server 2008 and Windows Server 2008 64-bit Edition**

- 1 Click **Start** → **Network**.
- 2 Locate the host name of the server computer, and then double-click the host name.
- 3 Right-click the shared printer name, and then click **Connect**.
- 4 Click **Install driver**.
- 5 Wait until the driver is copied from the server to the client computer.
A new printer object is added to the **Printers** folder. The duration of this procedure may vary based on the network traffic.
- 6 Print a test page to verify installation.
 - a Click **Start** → **Control Panel**.
 - b Select **Hardware and Sound**.
 - c Select **Printers**.
 - d Right-click the printer you just created and select **Properties**.
 - e On the **General** tab, click **Print Test Page**.

When a test page is printed successfully, the installation is complete.

• **For Windows 7, Windows 7 64-bit Edition, and Windows Server 2008 R2**

- 1 Click **Start** → **Computer** → **Network** (**Start** → **Network** for Windows Server 2008 R2).
- 2 Locate the host name of the server computer, and then double-click the host name.
- 3 Right-click the shared printer name, and then click **Connect**.

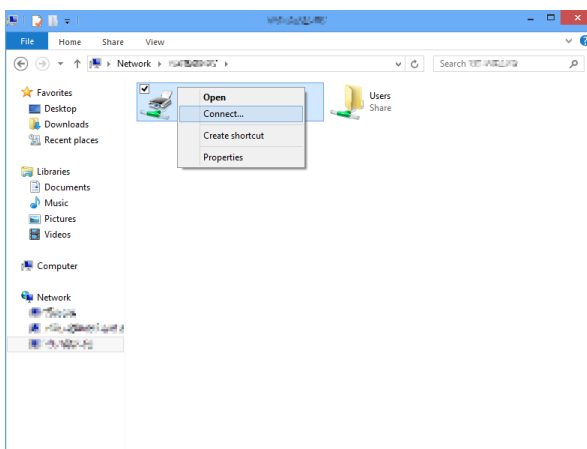


- 4 Click **Install driver**.
- 5 Wait until the driver is copied from the server to the client computer.
A new printer object is added to the **Devices and Printers** folder. The duration of this procedure may vary based on the network traffic.

- 6 Print a test page to verify installation.
 - a Click **Start** → **Devices and Printers**.
 - b Right-click the printer you just created and select **Printer properties**.
 - c On the **General** tab, click **Print Test Page**.
When a test page is printed successfully, the installation is complete.

• **For Windows 8, Windows 8 64-bit Edition, Windows 8.1, Windows 8.1 64-bit Edition, Windows Server 2012, and Windows Server 2012 R2**

- 1 On the **Desktop** screen, place the mouse pointer in the upper right corner of the screen and move the mouse down, and then select **Settings**.
- 2 Click **Control Panel** → **Network and Internet** → **View network computers and devices**.
- 3 Locate the host name of the server computer, and then double-click the host name.
- 4 Right-click the shared printer name, and then click **Connect**.



- 5 Click **Install driver**.
- 6 Wait until the driver is copied from the server to the client computer. A new printer object is added to the **Devices and Printers** folder. The duration of this procedure may vary based on the network traffic.
- 7 Print a test page to verify installation.
 - a On the **Desktop** screen, place the mouse pointer in the upper right corner of the screen and move the mouse down, and then select **Settings**.
 - b Click **Control Panel** → **Hardware and Sound (Hardware for Windows Server 2012 and Windows Server 2012 R2)** → **Devices and Printers**.
 - c Right-click the printer you just created and select **Printer properties**.
 - d On the **General** tab, click **Print Test Page**.
When a test page is printed successfully, the installation is complete.

Peer-to-Peer

Peer-to-peer is a technology that allows you to connect to a printer connected to a host computer. You are required to download and install the print driver during the connection setup.

• For Windows Server 2003 and Windows Server 2003 x64 Edition

- 1 Click **Start** → **Printers and Faxes**.
- 2 Double-click **Add Printer** to launch the **Add Printer Wizard**.
- 3 Click **Next**.
- 4 Select **A network printer, or a printer attached to another computer**, and then click **Next**.
- 5 Click **Browse for a printer**, and then click **Next**.
- 6 Select the printer, and then click **Next**.

If the printer is not listed, click **Back** and enter the path to the printer in the text box.

The server host name is the name of the server computer that identifies it on the network. The shared printer name is the name assigned during the server installation process.

If this is a new printer, you may be prompted to install a print driver. If no system driver is available, specify the location where the driver is available.

- 7 Select **Yes** if you want this printer to be set as the default printer, and then click **Next**.
- 8 Click **Finish**.

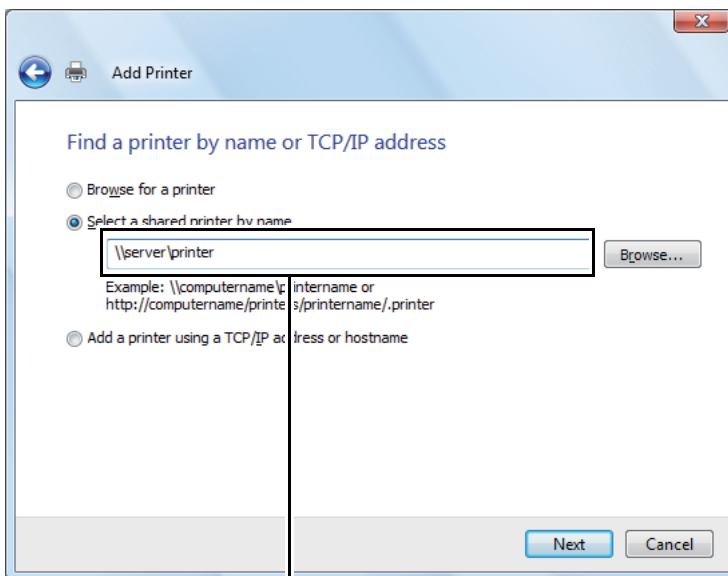
• For Windows Vista and Windows Vista 64-bit Edition

- 1 Click **Start** → **Control Panel** → **Hardware and Sound** → **Printers**.
- 2 Click **Add a printer** to launch the **Add Printer wizard**.
- 3 Select **Add a network, wireless or Bluetooth printer**, and then click **Next**.

If the printer is listed, select the printer, and then click **Next**.

If the printer is not listed, click **The printer that I want isn't listed**.

- a Click **Select a shared printer by name**.
- b Enter the path to the printer in the text box, and then click **Next**.



For example: \\<server host name>\<shared printer name>

The server host name is the name of the server computer that identifies it on the network. The shared printer name is the name assigned during the server installation process.

If this is a new printer, you may be prompted to install a print driver. If no system driver is available, specify the location where the driver is available.

4 Perform the following as required, and then click **Next**.

- Click **Yes** to set this printer as the default printer.
- Click **Print a test page** to verify installation.

5 Click **Finish**.

If a test page is printed successfully, the installation is complete.

• For Windows Server 2008 and Windows Server 2008 64-bit Edition

1 Click **Start** → **Control Panel** → **Hardware and Sound** → **Printers**.

2 Click **Add a printer** to launch the **Add Printer** wizard.

3 Select **Add a network, wireless or Bluetooth printer**, and then click **Next**.

If the printer is listed, select the printer, and then click **Next**.

If the printer is not listed, click **The printer that I want isn't listed**.

a Click **Select a shared printer by name**.

b Enter the path to the printer in the text box, and then click **Next**.

For example: \\<server host name>\<shared printer name>

The server host name is the name of the server computer that identifies it on the network. The shared printer name is the name assigned during the server installation process.

If this is a new printer, you may be prompted to install a print driver. If no system driver is available, specify the location where the driver is available.

4 Perform the following as required, and then click **Next**.

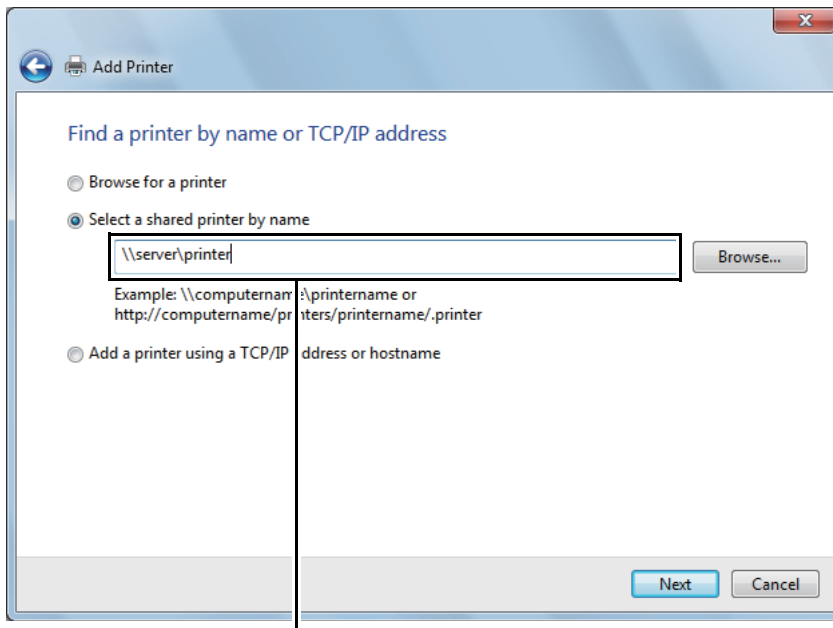
- Click **Yes** to set this printer as the default printer.
- Click **Print a test page** to verify installation.

5 Click **Finish**.

If a test page is printed successfully, the installation is complete.

• **For Windows 7, Windows 7 64-bit Edition, and Windows Server 2008 R2**

- 1 Click **Start** → **Devices and Printers**.
- 2 Click **Add a printer** to launch the **Add Printer** wizard.
- 3 Select **Add a network, wireless or Bluetooth printer**.
If the printer is listed, select the printer, and then click **Next**.
If the printer is not listed, click **The printer that I want isn't listed**.
 - a Click **Select a shared printer by name**.
 - b Enter the path to the printer in the text box, and then click **Next**.



For example: \\<server host name>\<shared printer name>

The server host name is the name of the server computer that identifies it on the network. The shared printer name is the name assigned during the server installation process.

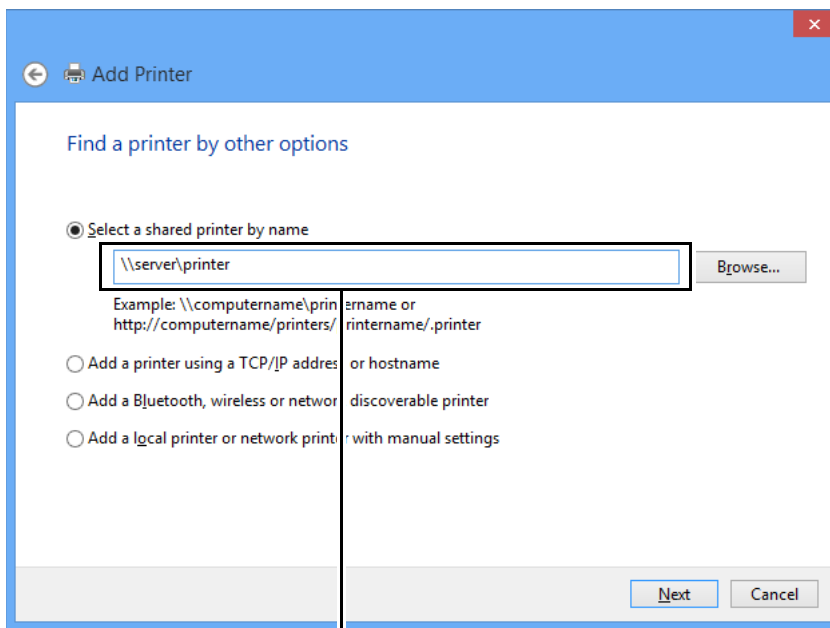
If this is a new printer, you may be prompted to install a print driver. If no system driver is available, you need to specify the path to the available drivers.

- 4 Perform the following as required, and then click **Finish**.
 - Click **Set as the default printer** to set this printer as the default printer.
 - Click **Print a test page** to verify installation.

If a test page is printed successfully, the installation is complete.

• **For Windows 8, Windows 8 64-bit Edition, Windows 8.1, Windows 8.1 64-bit Edition, Windows Server 2012, and Windows Server 2012 R2**

- 1 On the **Desktop** screen, place the mouse pointer in the upper right corner of the screen and move the mouse down, and then select **Settings**.
- 2 Click **Control Panel** → **Hardware and Sound** (**Hardware** for Windows Server 2012 and Windows Server 2012 R2) → **Devices and Printers**.
- 3 Click **Add a printer** to launch the **Add Printer** wizard.
- 4 If the printer is listed, select the printer and click **Next**.
If the printer is not listed, click **The printer that I want isn't listed**.
 - a Click **Select a shared printer by name**.
 - b Enter the path to the printer in the text box, and then click **Next**.



For example: \\<server host name>\<shared printer name>

The server host name is the name of the server computer that identifies it on the network. The shared printer name is the name assigned during the server installation process.

If this is a new printer, you may be prompted to install a print driver. If no system driver is available, specify the location where the driver is available.

- 5 Confirm the printer name, and then click **Next**.
- 6 Perform the following as required, and then click **Finish**.
 - Click **Set as the default printer** to set this printer as the default printer.
 - Click **Print a test page** to verify installation.

If a test page is printed successfully, the installation is complete.

Configuring Printer and Installing Software on Mac OS X

■ Installing Software

- 1 Run the *Software Pack CD-ROM* on the Mac OS X.
- 2 Double-click the CD-ROM icon displayed on the desktop.
- 3 Double-click the installer icon.
- 4 Click **Continue** on the **Introduction** screen.
- 5 Select a language for the **Software License Agreement**.
- 6 After reading the **Software License Agreement**, click **Continue**.
- 7 If you agree to the terms of the **Software License Agreement**, click **Agree** to continue the installation process.

NOTE:

- When the screen to select the installation destination appears, select an installation location and click **Continue**.

- 8 Click **Install** to perform the standard installation.
- 9 For Mac OS X 10.5 and Mac OS X 10.6, enter the administrator's name and password, and then click **OK**.
For Mac OS X 10.7, OS X 10.8, and OS X 10.9, enter the administrator's name and password, and then click **Install Software**.
- 10 Click **Continue Installation**.
- 11 Click **Restart** to complete the installation.

■ Adding a Printer

Adding a Printer on OS X 10.9

• When Using a USB connection

- 1 Turn on the printer.
- 2 Connect the printer and your computer with the USB cable.
- 3 Display **System Preferences**, and then click **Printers & Scanners**.
- 4 Confirm your printer is added to **Printers & Scanners**.
If your printer is not displayed, execute the following procedures.
- 5 Click the plus (+) sign, and then click **Default**.
If **Add Printer or Scanner** is displayed, select **Add Printer or Scanner**, and then click **Default**.
Proceed to step 6.
- 6 Select the printer connected via USB from the **Name** list.
Name, **Location**, and **Use** are automatically entered.
- 7 Click **Add**.

• When Using Bonjour

- 1 Turn on the printer.
- 2 Make sure that wireless connection is configured properly on your computer and printer.
- 3 Display **System Preferences**, and then click **Printers & Scanners**.
- 4 Click the plus (+) sign, and select the printer from **Nearby Printers**.
The printer will be added to **Printers & Scanners**.
If there are no printers in **Nearby Printers**, select **Add Printer or Scanner**, and then click **Default**.
Proceed to step 5.
- 5 Select the printer connected via Bonjour from the **Name** list.
Name and **Use** are automatically entered.
NOTE:
 - If **AirPrint** is automatically selected for **Use**, select the model of your printer for **Use** manually.
- 6 Click **Add**.

• When Using IP Printing

- 1 Turn on the printer.
- 2 Make sure that wireless connection is configured properly on your computer and printer.
- 3 Display **System Preferences**, and then click **Printers & Scanners**.
- 4 Click the plus (+) sign, and then click **IP**.
If **Add Printer or Scanner** is displayed, select **Add Printer or Scanner**, and then click **IP**.
Proceed to step 5.
- 5 Select **Line Printer Daemon - LPD** for **Protocol**.
- 6 Enter the IP address of the printer in the **Address** area.
- 7 Select the model of your printer for **Use**.
NOTE:
 - When the printing is set up using IP printing, the queue name is displayed as blank. You do not need to specify it.
- 8 Click **Add**.

Adding a Printer on Mac OS X 10.7 and OS X 10.8

• When Using a USB connection

- 1 Turn on the printer.
- 2 Connect the printer and your computer with the USB cable.
- 3 Display **System Preferences**, and then click **Print & Scan**.
- 4 Confirm your printer is added to **Print & Scan**.
If your printer is not displayed, execute the following procedures.
- 5 Click the plus (+) sign, and then click **Default**.
If **Add Other Printer or Scanner (Add Printer or Scanner for OS X 10.8)** is displayed, select **Add Other Printer or Scanner (Add Printer or Scanner for OS X 10.8)**, and then click **Default**.
Proceed to step 6.
- 6 Select the printer connected via USB from the **Printer Name (Name for OS X 10.8)** list.
Name, Location, and Print Using (Use for OS X 10.8) are automatically entered.
- 7 Click **Add**.

• When Using Bonjour

- 1 Turn on the printer.
- 2 Make sure that wireless connection is configured properly on your computer and printer.
- 3 Display **System Preferences**, and then click **Print & Scan**.
- 4 Click the plus (+) sign, and select the printer from **Nearby Printers**.
The printer will be added to **Print & Scan**.
If there are no printers in **Nearby Printers**, select **Add Other Printer or Scanner (Add Printer or Scanner for OS X 10.8)**, and then click **Default**.
Proceed to step 5.
- 5 Select the printer connected via Bonjour from the **Printer Name (Name for OS X 10.8)** list.
Name and Print Using (Use for OS X 10.8) are automatically entered.
NOTE:
 - If **AirPrint Printer (AirPrint for OS X 10.8)** is automatically selected for **Print Using (Use for OS X 10.8)**, select the model of your printer for **Use** manually.
- 6 Click **Add**.

• When Using IP Printing

- 1 Turn on the printer.
- 2 Make sure that wireless connection is configured properly on your computer and printer.
- 3 Display **System Preferences**, and then click **Print & Scan**.
- 4 Click the plus (+) sign, and then click **IP**.

If **Add Other Printer or Scanner (Add Printer or Scanner for OS X 10.8)** is displayed, select **Add Other Printer or Scanner (Add Printer or Scanner for OS X 10.8)**, and then click **IP**.

Proceed to step **5**.

- 5 Select **Line Printer Daemon - LPD** for **Protocol**.
- 6 Enter the IP address of the printer in the **Address** area.
- 7 Select the model of your printer for **Print Using (Use for OS X 10.8)**.

NOTE:

- When the printing is set up using IP printing, the queue name is displayed as blank. You do not need to specify it.

- 8 Click **Add**.

Adding a Printer on Mac OS X 10.5.8 and Mac OS X 10.6

• When Using a USB connection

- 1 Turn on the printer.
- 2 Connect the printer and your computer with the USB cable.
- 3 Display **System Preferences**, and then click **Print & Fax**.
- 4 Confirm your printer is added to **Print & Fax** in **System Preferences**.
If your printer is not displayed, execute the following procedures.
- 5 Click the plus (+) sign, and then click **Default**.
- 6 Select the printer connected via USB from the **Printer Name** list.
Name, **Location**, and **Print Using** are automatically entered.
- 7 Click **Add**.

• When Using Bonjour

- 1 Turn on the printer.
- 2 Make sure that wireless connection is configured properly on your computer and printer.
- 3 Display **System Preferences**, and then click **Print & Fax**.
- 4 Click the plus (+) sign, and then click **Default**.
- 5 Select the printer connected via Bonjour from the **Printer Name** list.
Name and **Print Using** are automatically entered.
- 6 Click **Add**.

• When Using IP Printing

- 1 Turn on the printer.
- 2 Make sure that wireless connection is configured properly on your computer and printer.
- 3 Display **System Preferences**, and then click **Print & Fax**.
- 4 Click the plus (+) sign, and then click **IP**.
- 5 Select **Line Printer Daemon - LPD** for **Protocol**.
- 6 Enter the IP address of the printer in the **Address** area.
- 7 Select the model of your printer for **Print Using**.

NOTE:

- When the printing is set up using IP printing, the queue name is displayed as blank. You do not need to specify it.

- 8 Click **Add**.

Configuring Printer and Installing the Print Driver on Linux (CUPS)

Your printer supports the following OS versions:

- Red Hat® Enterprise Linux® 6 Desktop (32-bit)
- SUSE® Linux Enterprise Desktop 11 (32-bit)
- Ubuntu® 12.04 (32-bit)
- Red Hat Enterprise Linux 6 Desktop (64-bit)
- SUSE Linux Enterprise Desktop 11 (64-bit)
- Ubuntu 12.04 (64-bit)

This section provides information for installing or setting up the print driver with CUPS (Common UNIX Printing System) on Red Hat Enterprise Linux 6 Desktop, SUSE Linux Enterprise Desktop 11, or Ubuntu 12.04.

NOTE:

- When using a CD drive in a Linux environment, you need to mount the CD according to your system environment. The command strings are `mount/media/CD-ROM`.
- The print drivers, the rpm file and deb file, are included in the **Linux** folder in the **Eng** folder on the *Software Pack CD-ROM*.

■ Installing the Print Driver

For Red Hat Enterprise Linux 6 Desktop

- 1 Double-click the rpm file.
- 2 Click **Install**.
- 3 Enter the administrator password, and click **Authenticate**.
Installation starts. When the installation is complete, the window is automatically closed.

For SUSE Linux Enterprise Desktop 11

- 1 Double-click the rpm file.
- 2 Click **Install**.
- 3 Enter the administrator password, and click **Authenticate**.
Installation starts. When the installation is complete, the window is automatically closed.

For Ubuntu 12.04

- 1 Double-click the deb file.
- 2 Click **Install**.
- 3 Enter the user password, and click **OK**.
- 4 Click **Close**.
- 5 Click **X (Close)** at the top-left of the dialog box to close the **Package Installer** dialog box.

■ Setting Up the Queue

To execute printing, you must set up the print queue on your workstation.

NOTE:

- When you have finished setting up the queue, you can print jobs from the applications. Start the print job from the application, and specify the queue in the print dialog box.
However, you may be able to print only from the default queue depending on the application. In these cases, before you start printing, set the queue you want to print to as the default queue. For information on specifying the default queue, see also "Setting the Default Queue" on page 65.

For CUPS Web UI

The following procedure uses CUPS 1.4.3 as an example.

- 1 Open the URL "**http://localhost:631**" using a web browser.
- 2 Click **Administration**.
- 3 Click **Add Printer**.
- 4 Enter **root** as the user name, and then enter the administrator password.
- 5 Click **OK**.
- 6 Select either of the following according to the type of your printer connection.
For network connections:
 - a Select **LPD/LPR Host or Printer** from the **Other Network Printers** menu, and then click **Continue**.
 - b Enter the IP address of the printer in **Connection**.
Format: **lpd://xxx.xxx.xxx.xxx** (the IP address of the printer)
 - c Click **Continue**.
 - d Enter the name of the printer in **Name** in the **Add Printer** window, and then click **Continue**.
You can optionally specify the location and description of the printer for further information.
If you want to share the printer, select the **Share This Printer** check box.
For USB connections:
 - a Select **FUJI XEROX DocuPrint XXX (FUJI XEROX DocuPrint XXX)** from the **Local Printers** menu, and then click **Continue**.
 - b Enter the name of the printer in **Name** in the **Add Printer** window, and then click **Continue**.
You can optionally specify the location and description of the printer for further information.
If you want to share the printer, select the **Share This Printer** check box.
- 7 Select **FX** from the **Make** menu, and then click **Continue**.
- 8 Select **FX Printer Driver for Linux** from the **Model** menu, and then click **Add Printer**.
The setup is complete.
You can optionally specify the default options settings of the printer.

■ Setting the Default Queue

For CUPS Web UI

The following procedure uses CUPS 1.4.3 as an example.

- 1 Open the URL "**http://localhost:631**" using a web browser.
- 2 Click **Administration**.

- 3 Click **Manage Printers**.
- 4 Click the queue name for which you want to specify the printing options.
- 5 Click the **Administration** drop-down list box, and then select **Set AS Server Default**.
- 6 Enter **root** as the user name, enter administrator password and click **OK**.
The setting is complete.

■ Specifying the Printing Options

For CUPS Web UI

The following procedure uses CUPS 1.4.3 as an example.

- 1 Open the URL "**http://localhost:631**" using a web browser.
- 2 Click **Administration**.
- 3 Click **Manage Printers**.
- 4 Click the queue name for which you want to specify the printing options.
- 5 Click the **Administration** drop-down list box, and then select **Set Default Options**.
- 6 Specify the required settings, and click **Set Default Options**.
- 7 Enter **root** as the user name, enter administrator password and click **OK**.
The message **Printer xxx default options have been set successfully**. appears.
The setting is complete.

Printing Basics

- "About Print Media" on page 68
- "Supported Print Media" on page 70
- "Loading Print Media" on page 71
- "Printing" on page 82

About Print Media

Using paper that is not appropriate for the printer can cause paper jams, image quality problems, or printer failure. To achieve the best performance from your printer, we recommend you to use only the paper described in this section.

When using paper other than that recommended, contact the Fuji Xerox local representative office or an authorized dealer.

■ Print Media Usage Guidelines

The printer tray accommodates various sizes and types of paper and other specialty media. Follow these guidelines when loading paper and media in the tray:

- Fan paper or other specialty media before loading in the paper tray.
- Do not print on label stock once a label has been removed from a sheet.
- Use only paper envelopes. Do not use envelopes with windows, metal clasps, or adhesives with release strips.
- Print all envelopes single-sided only.
- Some wrinkling and embossing may occur when printing envelopes.
- Do not overload the tray. Do not load print media above the fill line on the inside of the paper width guides.
- Adjust the paper width guides to fit the paper size.
- If excessive jams occur, use paper or other media from a new package.



WARNING:

- **Do not use conductive paper such as origami paper, carbonic paper or conductively-coated paper. When paper jam occurs, it may cause short-circuit and eventually a fire accident.**

See also:

- "Loading Print Media in the Multipurpose Feeder" on page 72
- "Loading Envelope in the Multipurpose Feeder" on page 76
- "Printing on Custom Size Paper" on page 88

■ Print Media That Can Damage Your Printer

Your printer is designed to use a variety of media types for print jobs. However, some media can cause poor output quality, increased paper jams, or damage to your printer.

Unacceptable media includes:

- Rough or porous media
- Plastic media
- Paper that has been folded or wrinkled
- Paper with staples
- Envelopes with windows or metal clasps
- Padded envelopes
- Non-laser glossy or coated paper
- Perforated media



WARNING:

- **Do not use conductive paper such as origami paper, carbonic paper or conductively-coated paper. When paper jam occurs, it may cause short-circuit and eventually a fire accident.**

■ Print Media Storage Guidelines

Providing good storage conditions for your paper and other media contributes to optimum print quality.

- Store print media in dark, cool, and relatively dry locations. Most paper items are susceptible to damage from ultraviolet (UV) and visible light. UV radiation, which is emitted by the sun and fluorescent bulbs, is particularly damaging to paper items. The intensity and length of exposure to visible light on paper items should be reduced as much as possible.
- Maintain constant temperatures and relative humidity.
- Avoid attics, kitchens, garages, and basements for storing print media.
- Store print media flat. Print media should be stored on pallets, cartons, shelves, or in cabinets.
- Avoid having food or drinks in the area where print media is stored or handled.
- Do not open sealed packages of paper until you are ready to load them into the printer. Leave paper in the original packaging. For most commercial cut-size grades, the ream wrapper contains an inner lining that protects the paper from moisture loss or gain.
- Leave the media inside the bag until you are ready to use it; reinsert unused media in the bag and reseal it for protection. Some specialty media is packaged inside resealable plastic bags.

Supported Print Media

Using unsuitable print media may lead to paper jams, poor print quality, breakdown and damage to your printer. To use the features of this printer effectively, use the suggested print media that is recommended here.

IMPORTANT:

- The toner may come off the print media, if it gets wet by water, rain, steam, and so on. For details, contact the Fuji Xerox local representative office or an authorized dealer.

■ Usable Print Media

The types of print media that can be used on this printer are as follows:

Multipurpose Feeder

Paper Size	A4 (210 × 297 mm) B5 (182 × 257 mm) A5 (148 × 210 mm) Letter (8.5 × 11 in) Legal (8.5 × 14 in) Folio (8.5 × 13 in) Executive (7.25 × 10.5 in) C5 (162 × 229 mm) Monarch (3.875 × 7.5 in) Com 10 (4.125 × 9.5 in) DL (110 × 220 mm) Custom Size: Width: 76.2 – 215.9 mm (3 – 8.5 in) Length: 127 – 355.6 mm (5 – 14 in)
Paper Type (Weight)	Plain (60 – 90 gsm) Bond (91 – 105 gsm) Lightweight Cardstock (106 – 163 gsm) Lightweight Glossy Cardstock (106 – 163 gsm) Labels Envelope Recycled (60 – 105 gsm)
Loading Capacity	150 sheets of standard paper

NOTE:

- Use only laser print media. Do not use ink jet paper in this printer.

See also:

- "Loading Print Media in the Multipurpose Feeder" on page 72
- "Loading Envelope in the Multipurpose Feeder" on page 76
- "Loading Letterhead in the Multipurpose Feeder" on page 78

Using print media, which is different from the paper size or paper type set on the print driver, may lead to paper jams. To make sure that printing is correctly performed, select the correct paper size and paper type.

Loading Print Media

Loading print media properly helps prevent jams and ensures trouble-free printing.

Before loading print media, identify the recommended print side of the print media. This information is usually on the print media package.

NOTE:

- After loading paper in the feeder, specify the same paper type on the print driver.

■ Capacity

The multipurpose feeder can hold:

- 150 sheets of standard paper
- 16.2 mm (0.64 inches) of thick paper
- One sheet of coated paper
- Five envelopes
- 16.2 mm (0.64 inches) of labels

■ Print Media Dimensions

The multipurpose feeder accepts print media within the following dimensions:

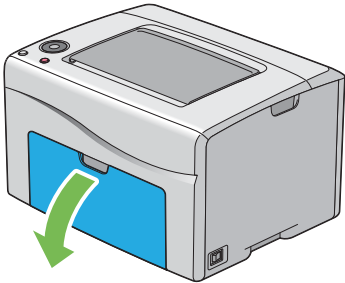
- Width: 76.2 – 215.9 mm (3.00 – 8.50 inches)
- Length: 127 – 355.6 mm (5.00 – 14.00 inches)

■ Loading Print Media in the Multipurpose Feeder

NOTE:

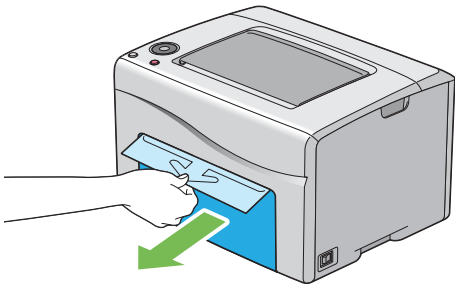
- To avoid paper jams, do not remove the paper cover while printing is in progress.
- Use only laser print media. Do not use ink jet paper in this printer.

1 Open the front cover.

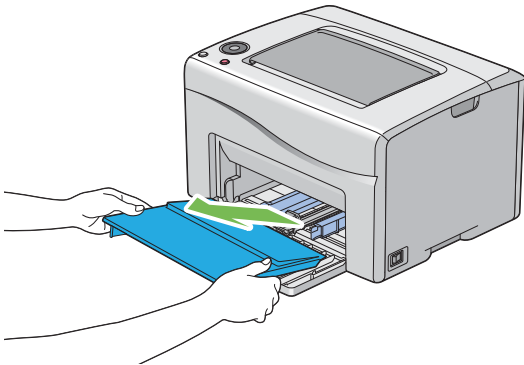


NOTE:

- When you use the multipurpose feeder for the first time, open the front cover by pulling out the instruction sheet.

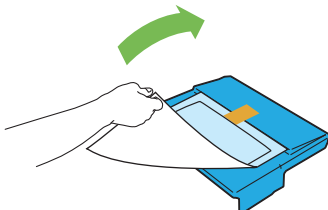


2 Pull the paper cover out.

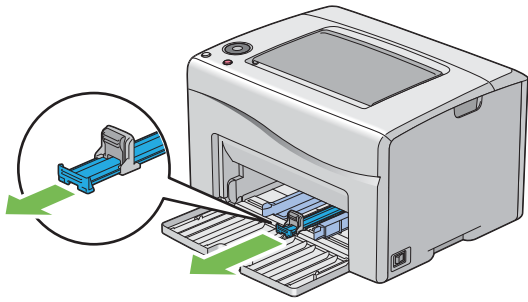


NOTE:

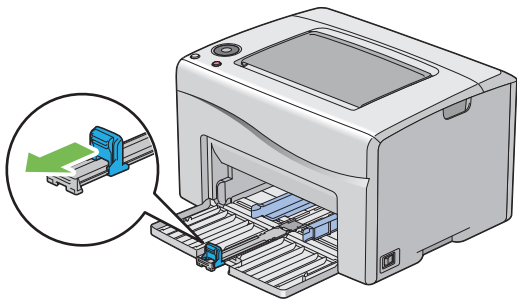
- When you use the multipurpose feeder for the first time, remove the instruction sheet attached to the paper cover with adhesive tape.



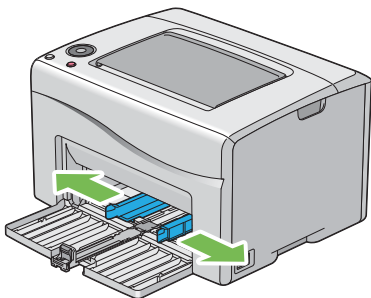
- 3** Pull the slide bar forward until it stops.



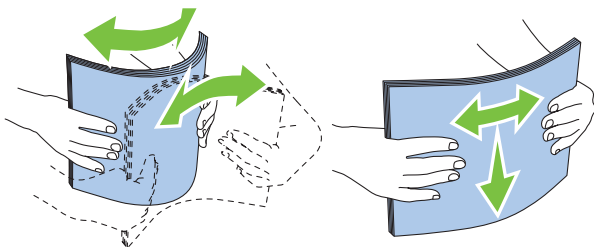
- 4** Pinch the length guide and pull it forward until it stops.



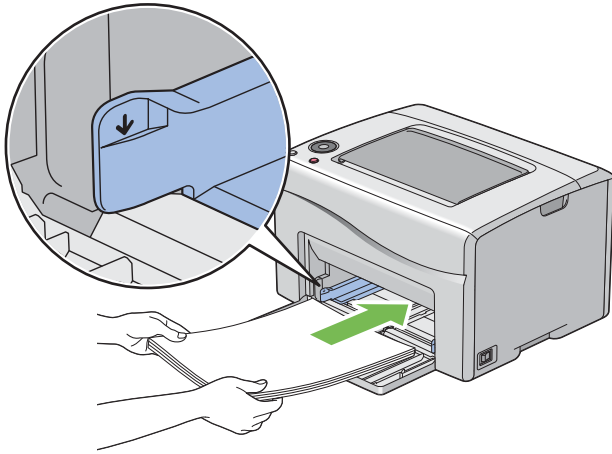
- 5** Adjust the paper width guides to their maximum width.



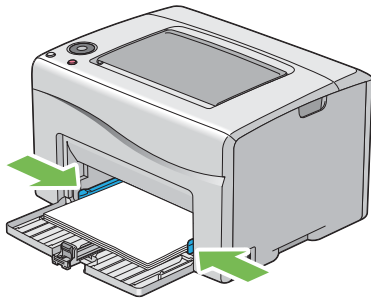
- 6** Before loading the print media, flex the sheets and fan them. Straighten the edges of the stack on a level surface.



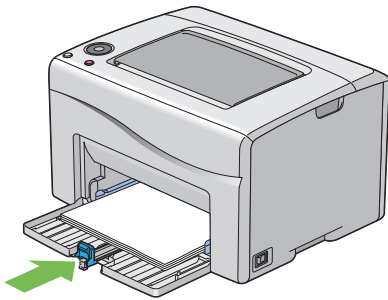
- 7 Load the print media on the multipurpose feeder with the top edge first and with the recommended print side facing up.



- 8 Adjust the paper width guides until they rest lightly against the edges of the stack of print media.

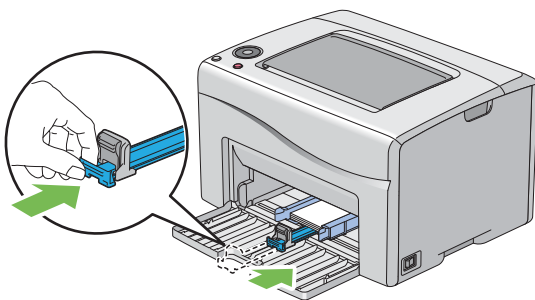


- 9 Pinch the length guide and slide it towards the printer until it touches the print media.

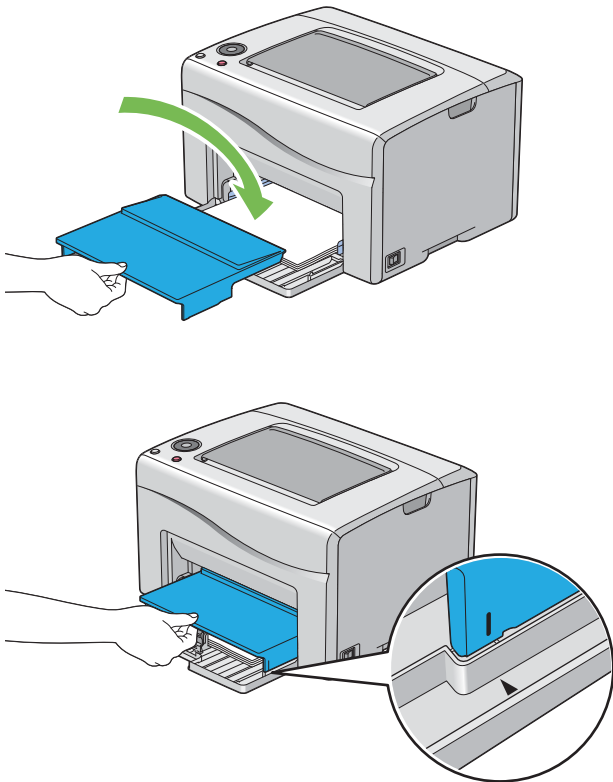


NOTE:

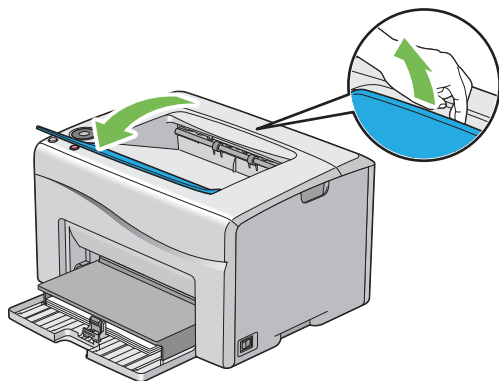
- Depending on the size of print media, slide the slide bar backward until it stops first, and then pinch the length guide and slide it backward until it touches print media.



10 Insert the paper cover into the printer and then align the paper cover to the marking on the multipurpose feeder.



11 Open the output tray extension.



12 Select the paper size and type from the print driver if the loaded print media is not plain paper.

NOTE:

- For more information about setting the paper size and type on the print driver, refer to the Help provided for the print driver.

NOTE:

- For standard-size paper, adjust the guides first, and then load paper.

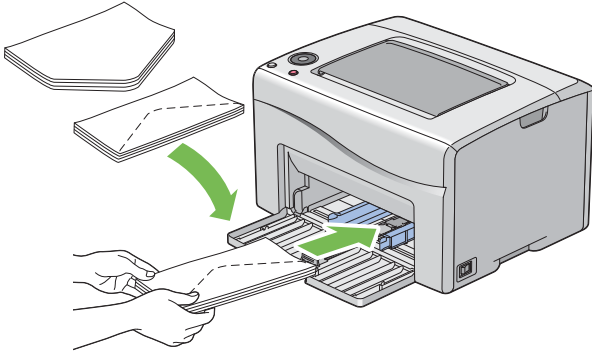
Loading Envelope in the Multipurpose Feeder

NOTE:

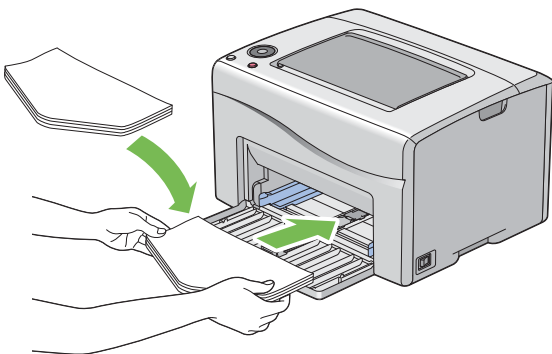
- When you print on envelopes, be sure to specify the envelope setting on the print driver. If not specified, the print image will be rotated 180 degrees.

• When Loading Com 10, DL, or Monarch

Load envelopes with the flaps closed. Place the print side facing up, and the flaps come at the right when you face towards the printer.



To prevent DL and Monarch from being wrinkled, they are recommended to be loaded with the flaps opened. Place the print side facing up, and the flaps come at the bottom when you face towards the printer.

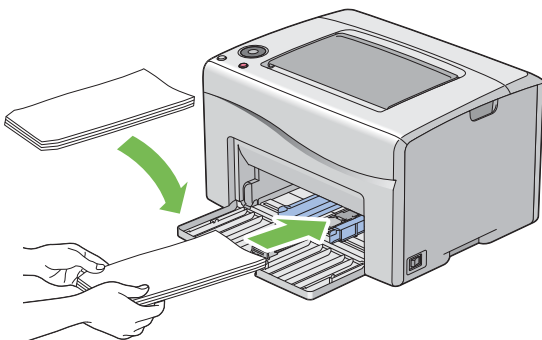


NOTE:

- When you load the envelopes in the long-edge feed (LEF) orientation, be sure to specify the landscape orientation on the print driver.

• When Loading C5

Load envelopes with the flaps opened. Place the print side facing up, and the flaps come at the bottom when you face towards the printer.

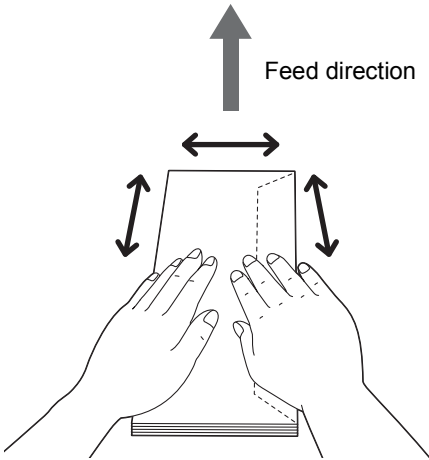


IMPORTANT:

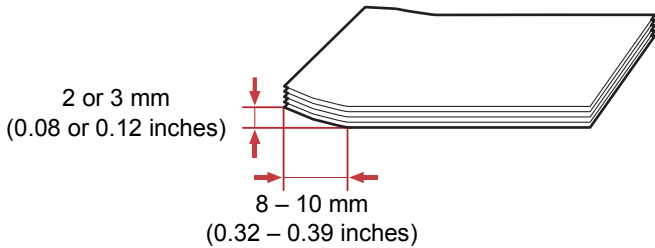
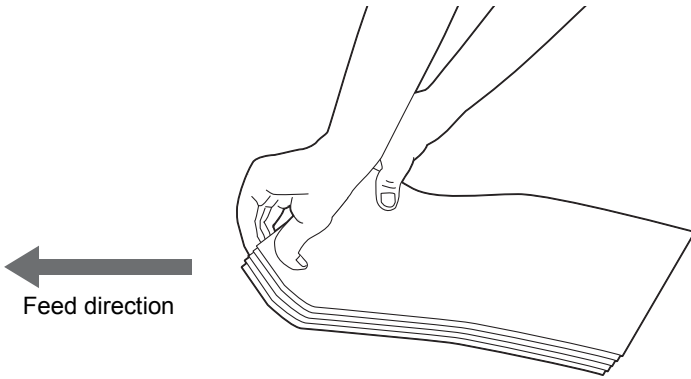
- Never use envelopes with windows, or coated linings. These lead to paper jams and can cause damage to the printer.

NOTE:

- Up to 5 envelopes can be loaded in the multipurpose feeder.
- If you do not load envelopes in the multipurpose feeder right after they have been removed from the packaging, they may bulge. To avoid jams, flatten the envelopes before loading them in the multipurpose feeder. When flattening the envelopes, firmly press down on the entire surface of the envelopes as shown below.



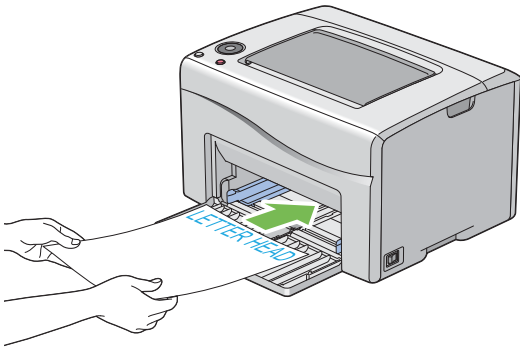
- If envelopes are still not fed correctly, curl the edge of the envelopes as shown in the following illustration. The amount of the curl should be 5 mm (0.20 inches) or less, 2 or 3 mm (0.08 or 0.12 inches) is recommended. The area of the curl should be 8 – 10 mm (0.32 – 0.39 inches) from the top edge of the envelopes. Do not curl the envelopes too much or make a crease.



- To confirm the correct orientation of envelopes, see the instruction on the Envelope/Paper Setup Wizard on the print driver.

Loading Letterhead in the Multipurpose Feeder

Load the letterhead in the printer with the print side facing up. Make sure that the title on the letterhead enters the printer first.



Manual Duplex Printing

NOTE:

- When printing on curled paper, straighten the paper, and then insert it into the feeder.

Operations on Your Computer

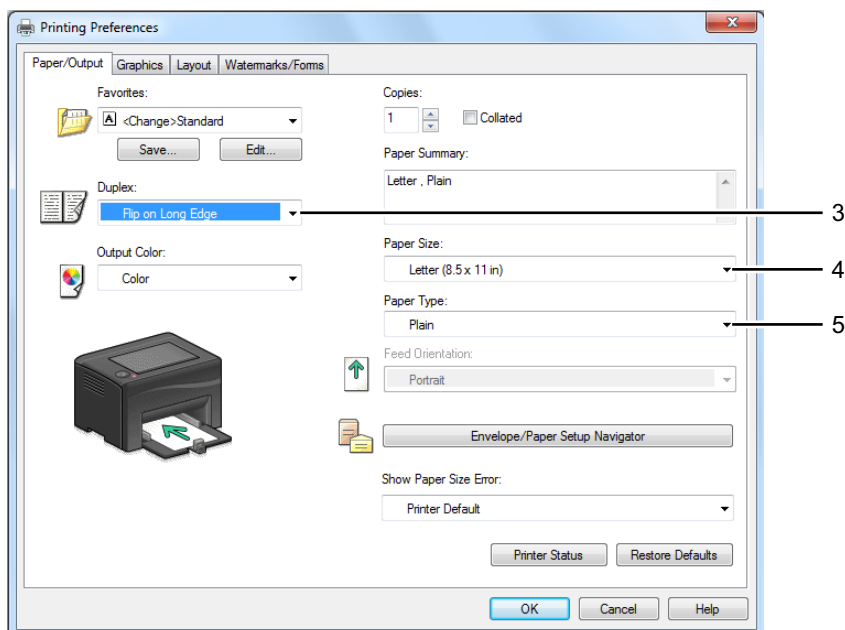
• Using the Windows Print Driver

The following procedure uses Microsoft® Windows® 7 as an example.

NOTE:

- The way to display the printer **Properties/Printing Preferences** dialog box differs according to the application software. Refer to the manual of your respective application software.

- 1 From the application menu, select **Print**.
- 2 Select the printer from **Printer Selection**, and then click **Preferences**.
The **Paper/Output** tab appears.
- 3 From **Duplex**, select either **Flip on Long Edge** or **Flip on Short Edge** to define the way 2-sided print pages are bound.



- 4 From **Paper Size**, select the size of the document to be printed.
- 5 From **Paper Type**, select the paper type to be used.
- 6 Click **OK** to close the **Printing Preferences** dialog box.
- 7 Click **Print** in the **Print** dialog box to start printing.

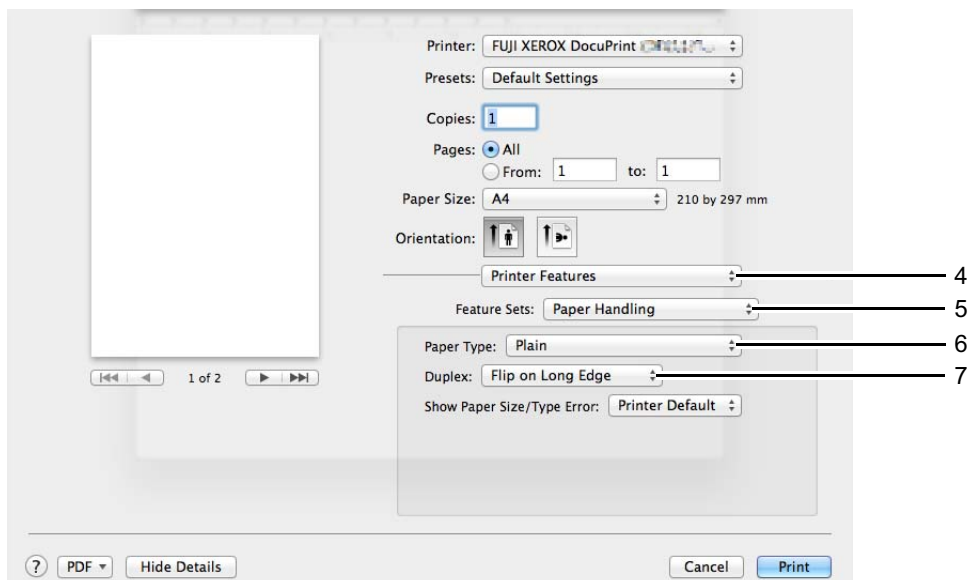
IMPORTANT:

- When you start manual duplex printing, the instruction window appears. Note that the window cannot be reopened once it is closed. Do not close the window until duplex printing is complete.

• **Using the Mac OS X Print Driver**

The following procedure uses OS X 10.9 TextEdit as an example.

- 1 From the **File** menu, select **Print**.
- 2 Select the printer from **Printer**.
- 3 From **Paper Size**, select the size of the document to be printed.
- 4 Select the **Printer Features** pane.



- 5 From **Feature Sets**, select **Paper Handling**.
- 6 From **Paper Type**, select the paper type to be used.
- 7 From **Duplex**, select either **Flip on Short Edge** or **Flip on Long Edge** to define the way 2-sided print pages are bound.
- 8 Click **Print** to start printing.


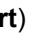
IMPORTANT:

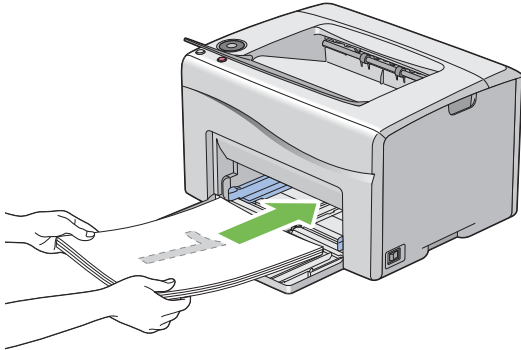
- When you start manual duplex printing, the instruction dialog box appears. Do not close the dialog box until duplex printing is complete.

Loading Print Media in the Multipurpose Feeder

- 1 Print the even pages (back sides).

For a six-page document, back sides are printed in the order of page 6, page 4, then page 2.

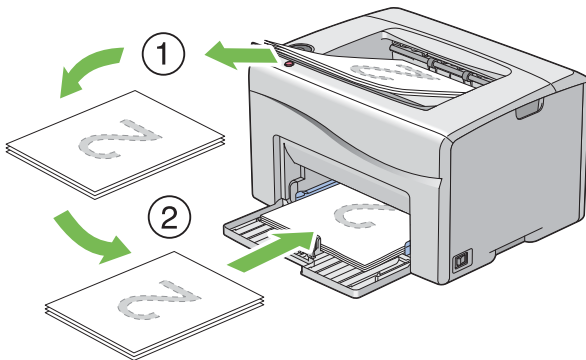
The  (**Start**) indicator blinks and the  (**Ready**) indicator lights when the printer finishes printing the even pages.



- 2 After the even pages are printed, remove the paper stack from the center output tray.

NOTE:

- Warped or curled paper can cause paper jams. Straighten them before setting.



- 3 Stack the paper and set them as they are (with the blank side facing up) into the multipurpose feeder.

- 4 Press the  (**Start**) button.

Pages are printed in the order of page 1 (back of page 2), page 3 (back of page 4), and then page 5 (back of page 6).

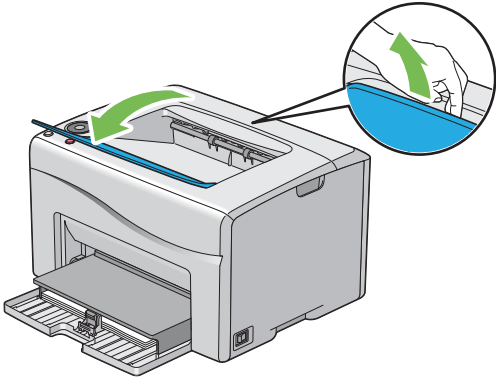
NOTE:

- Printing on both sides of the paper is not possible if the document consists of various sizes of paper.

■ Using the Output Tray Extension

The output tray extension is designed to prevent print media from falling from the printer after the print job is complete.

Before printing a document, make sure that the output tray extension is opened.



Printing

This section covers how to print documents from your printer and how to cancel a job.

■ Sending a Job to Print

Install the print driver to use all the features of the printer. When you choose **Print** from an application, a window representing the print driver opens. Select the appropriate settings for the file to print. Print settings selected from the driver have precedence over the default menu settings selected from the operator panel or the Printer Setting Utility.

Sending a Print Job (Windows)

- 1 Open the file you want to print.
- 2 From the application menu, select **Print**.
- 3 Verify that the correct printer is selected in the dialog box. Modify the system settings as needed (such as the pages you want to print or the number of copies).
- 4 To adjust system settings not available from the first screen, such as **Paper Size**, **Output Color**, or **Layout**, click **Preferences**.
The **Printing Preferences** dialog box appears.
- 5 Specify the system settings. For more information, click **Help**.
- 6 Click **OK** to close the **Printing Preferences** dialog box.
- 7 Click **Print** to send the job to the selected printer.

Sending a Print Job (Mac OS X)

The following procedure uses OS X 10.9 TextEdit as an example.

- 1 Open the file you want to print.
- 2 From the **File** menu, select **Print**.
- 3 Verify that the correct printer is selected in **Printer**, and modify the system settings as needed (such as the pages you want to print or the number of copies).
- 4 To adjust system settings not available from the first screen, such as **Pages per Sheet**, **Output Color**, or **Paper Type**, select the desired pane from the drop-down menu.
- 5 Specify the system settings. For more information, click ? (**Help**).
- 6 Click **Print** to send the job to the selected printer.

■ Canceling a Print Job

There are several methods for canceling a print job.

Canceling a Print Job From the Operator Panel

To cancel a job after it has started printing:

- 1 Press the  (**Stop**) button.

NOTE:

- Printing is canceled only for the current job. All the following jobs will continue to print.

Canceling a Print Job From the Computer (Windows)

• Canceling a Print Job From the Taskbar

When you send a job to print, a small printer icon appears in the right corner of the taskbar.

- 1 Double-click the printer icon.
A list of print jobs appears in the printer window.
- 2 Select the job you want to cancel.
- 3 Press the **Delete** key.
- 4 Click **Yes** on the **Printers** dialog box to cancel a print job.

• Canceling a Print Job From the Desktop

- 1 Minimize all programs to reveal the desktop.
For Windows Server® 2003, click **Start** → **Printers and Faxes**.
For Windows 7 and Windows Server 2008 R2, click **Start** → **Devices and Printers**.
For Windows Vista® and Windows Server 2008, click **Start** → **Control Panel** → **Hardware and Sound** → **Printers**.
For Windows 8 and Windows 8.1, on the **Desktop** screen, place the mouse pointer in the upper right corner of the screen and move the mouse down, and then select **Settings**. Click **Control Panel** → **Hardware and Sound** → **Devices and Printers**.
For Windows Server 2012 and Windows Server 2012 R2, on the **Desktop** screen, place the mouse pointer in the upper right corner of the screen and move the mouse down, and then select **Settings**. Click **Control Panel** → **Hardware** → **Devices and Printers**.
A list of available printers appears.
- 2 Double-click the printer you selected when you sent the job.
A list of print jobs appears in the printer window.
- 3 Select the job you want to cancel.
- 4 Press the **Delete** key.
- 5 Click **Yes** on the **Printers** dialog box to cancel a print job.

Canceling a Print Job From the Computer (Mac OS X)

• Canceling a Print Job From the Dock

When you send a job to print, a printer icon appears in the Dock.

- 1 Click the printer dock icon.
The print queue appears.
- 2 Select the job you want to cancel.
- 3 For Mac OS X 10.5, Mac OS X 10.6, and Mac OS X 10.7, click **Delete**.
For OS X 10.8 and OS X 10.9, click **X (Close)**.

• Canceling a Print Job From System Preferences

- 1 For Mac OS X 10.5, and Mac OS X 10.6, display **System Preferences**, and then click **Print & Fax**.
For Mac OS X 10.7 and OS X 10.8, display **System Preferences**, and then click **Print & Scan**.
For OS X 10.9, display **System Preferences**, and then click **Printers & Scanners**.
- 2 Select the printer from the printer list on the left.
- 3 Click **Open Print Queue**.
- 4 Select the job you want to cancel.
- 5 For Mac OS X 10.5, Mac OS X 10.6, and Mac OS X 10.7, click **Delete**.
For OS X 10.8 and OS X 10.9, click **X (Delete job)**.

■ Selecting Printing Options

Selecting Printing Preferences (Windows)

Printing preferences control all of your print jobs, unless you override them specifically for a job. For example, if you want to use duplex printing for most jobs, set this option in printing preferences.

To select printing preferences:

- 1 For Windows Server 2003, click **Start** → **Printers and Faxes**.
For Windows 7 and Windows Server 2008 R2, click **Start** → **Devices and Printers**.
For Windows Vista and Windows Server 2008, click **Start** → **Control Panel** → **Hardware and Sound** → **Printers**.
For Windows 8 and Windows 8.1, on the **Desktop** screen, place the mouse pointer in the upper right corner of the screen and move the mouse down, and then select **Settings**. Click **Control Panel** → **Hardware and Sound** → **Devices and Printers**.
For Windows Server 2012 and Windows Server 2012 R2, on the **Desktop** screen, place the mouse pointer in the upper right corner of the screen and move the mouse down, and then select **Settings**. Click **Control Panel** → **Hardware** → **Devices and Printers**.
A list of available printers appears.
- 2 Right-click the icon for your printer, and then select **Printing preferences**.
The printer's **Printing Preferences** screen appears.
- 3 Make selections on the driver tabs, and then click **OK** to save your selections.

NOTE:

- For more information about Windows print driver options, click **Help** on the print driver.

Selecting Options for an Individual Job (Windows)

If you want to use special printing options for a particular job, change the driver settings before sending the job to the printer. For example, if you want to use Photo print-quality mode for a particular graphic, select this setting in the driver before printing that job.

- 1 With the desired document or graphic open in your application, access the **Print** dialog box.
- 2 Select your printer and click **Preferences** to open the print driver.
- 3 Make selections on the driver tabs.

NOTE:

- In Windows, you can save current printing options with a distinctive name and apply them to other print jobs. Select either the **Paper/Output**, **Graphics**, **Layout**, or **Watermarks/Forms** tab, and then click **Save** under **Favorites** on the **Paper/Output** tab. Click **Help** for more information.

- 4 Click **OK** to save your selections.
- 5 Print the job.

See the following table for specific printing options:

Printing Options for Windows

Driver Tab	Printing Options
Paper/Output tab	<ul style="list-style-type: none"> • Favorites <ul style="list-style-type: none"> – Save – Edit • Duplex • Output Color • Copies • Collated • Paper summary • Paper Size • Paper Type • Feed Orientation • Envelope/Paper Setup Navigator • Show Paper Size Error • Printer Status • Restore Defaults
Graphics tab	<ul style="list-style-type: none"> • Output Color • Image Adjustment Mode • Image Types • Screen • Toner Saving Mode • Image Settings • Color Balance • Profile Settings • Restore Defaults
Layout tab	<ul style="list-style-type: none"> • Image Orientation • Multiple Up • Booklet/Poster/Mixed Document • Output Size • Reduce / Enlarge • Margin Shift/Margin • Restore Defaults

Driver Tab	Printing Options
Watermarks/Forms tab	<ul style="list-style-type: none"> • Watermarks <ul style="list-style-type: none"> – New Text – New Bitmap – Edit – Delete – First Page Only • Forms <ul style="list-style-type: none"> – Off – Create / Register Forms – Image Overlay – File Name – Browse • Header / Footer Options • Restore Defaults

Selecting Options for an Individual Job (Mac OS X)

To select print settings for a particular job, change the driver settings before sending the job to the printer.

- 1 With the document open in your application, click **File**, and then click **Print**.
- 2 Select your printer from **Printer**.
- 3 Select the desired printing options from the menus and drop-down list boxes that are displayed.

NOTE:

- In Mac OS X, click **Save As (Save Current Settings as Preset)** for OS X 10.8 and OS X 10.9) on the **Presets** menu screen to save the current printer settings. You can create multiple presets and save each with its own distinctive name and printer settings. To print jobs using specific printer settings, click the applicable saved preset in the **Presets** menu.

- 4 Click **Print** to print the job.

Mac OS X Print Driver Printing Options:

The table shown below uses OS X 10.9 TextEdit as an example.

Printing options for Mac OS X

Item	Printing Options
	<ul style="list-style-type: none"> • Copies • Pages • Paper Size • Orientation • Scale
Layout	<ul style="list-style-type: none"> • Pages per Sheet • Layout Direction • Border • Two-Sided <ul style="list-style-type: none"> – Reverse page orientation – Flip horizontally
Color Matching	<ul style="list-style-type: none"> • ColorSync® • Vendor Matching
Paper Handling	<ul style="list-style-type: none"> • Collate pages <ul style="list-style-type: none"> – Pages to Print • Page Order <ul style="list-style-type: none"> – Scale to fit paper size • Destination Paper Size <ul style="list-style-type: none"> – Scale down only

Item	Printing Options
Cover Page	<ul style="list-style-type: none"> • Print Cover Page • Cover Page Type • Billing Info
Image Options	<ul style="list-style-type: none"> • Output Color • Image Types • Toner Saving Mode • Screen • Restore Defaults
Printer Features	<ul style="list-style-type: none"> • Feature Sets: Detailed Settings <ul style="list-style-type: none"> – Image Rotation (180deg) • Feature Sets: Paper Handling <ul style="list-style-type: none"> – Paper Type – Duplex – Show Paper Size Error • Feature Sets: Printer Specific Options <ul style="list-style-type: none"> – Skip Blank Pages

■ Printing on Custom Size Paper

This section explains how to print on custom size paper using the print driver.

The way to load custom size paper is the same as the one to load standard size paper.

See also:

- "Loading Print Media in the Multipurpose Feeder" on page 72

Defining Custom Paper Sizes

Before printing, set the custom size on the print driver.

NOTE:

- When setting the paper size on the print driver, be sure to specify the same size as the actual print media used. Setting the wrong size for printing can cause printer failure. This is especially true if you configure a bigger size when using a narrow width paper.

• Using the Windows Print Driver

On the Windows print driver, set the custom size in the **Custom Paper Size** dialog box. There are two ways to access the **Custom Paper Size** dialog box. This section explains the procedures using Windows 7 as an example.

An administrator's password only allows users with administrator rights to change the settings. Users without administrator rights can only view the contents.

- 1 Click **Start** → **Devices and Printers**.
- 2 Right-click the printer, and then select **Printer properties**.
- 3 Select the **Configuration** tab.
- 4 Select **Custom Paper Size**.
- 5 Select a name to customize from the **Details** list.
- 6 Specify the length of the short edge and long edge under **Change Setting For**.
You can specify the values either by entering them directly or using the up arrow and down arrow buttons. The length of the short edge cannot be longer than the long edge even if it is within the specified range. The length of the long edge cannot be shorter than the short edge even if it is within the specified range.
- 7 To assign a paper name, select the **Name the Paper Size** check box, and then enter the name in **Paper Name**.
Up to 24 characters can be used for the paper name.

8 If necessary, repeat steps 5 to 7 to define another custom size.

9 Click **OK** twice.

Printing on Custom Size Paper

Use the following procedures to print using either the Windows or Mac OS X print drivers.

• Using the Windows Print Driver

This section explains the procedure using Windows 7 as an example.

NOTE:

- The way to display the printer **Properties/Printing Preferences** dialog box differs according to the application software. Refer to the manual of your respective application software.

- 1 From the application menu, select **Print**.
- 2 Select your printer and click **Preferences**.
- 3 Select the **Paper/Output** tab.
- 4 From the **Paper Size**, select the size you want to print on.

See also:

- "Defining Custom Paper Sizes" on page 87.

- 5 Click **OK**.
- 6 Click **Print** in the **Print** dialog box to start printing.

• Using the Mac OS X Print Driver

This section explains the procedure using OS X 10.9 TextEdit as an example.

- 1 From the **File** menu, select **Page Setup**.
- 2 Select the printer from **Format For**.
- 3 From **Paper Size**, select **Manage Custom Sizes**.
- 4 In the **Custom Paper Sizes** window, click **+**.
A newly created setting "Untitled" is displayed in the list.
- 5 Double-click "Untitled" and enter a name for the setting.
- 6 Enter the size of the original document in the **Width** and **Height** boxes of **Paper Size**.
- 7 Specify **Non-Printable Area** if necessary.
- 8 Click **OK**.
- 9 Make sure that the newly created paper size is chosen in **Paper Size**, and then click **OK**.
- 10 From the **File** menu, select **Print**.
- 11 Click **Print** to start printing.

■ Checking Status of Print Job

Checking Status via the SimpleMonitor (Windows Only)

You can check the printer status and print job status with the SimpleMonitor.

See also:

- "SimpleMonitor (Windows Only)" on page 24

For more information about the SimpleMonitor, see Help:

The following procedure uses Windows 7 as an example.

- 1 Click **Start** → **All Programs** → **Fuji Xerox** → **Fuji Xerox Printer Software for Asia-Pacific** → your printer → **SimpleMonitor-Ctype for Asia-Pacific**.
The window to select the printer appears.
- 2 Click the name of the desired from the list.
The **Printer Status** window appears.
- 3 Select **Help**.

Checking Status via the CentreWare Internet Services

You can check the status of the print job sent to the printer at the **Jobs** tab of the CentreWare Internet Services.

See also:

- "CentreWare Internet Services" on page 22

■ Printing With Wi-Fi Direct

This section provides information for Wi-Fi Direct[®] printing. Wi-Fi Direct allows your Wi-Fi[®] mobile devices such as computers, smart phones, and tablets, to connect to the printer directly via a Wi-Fi network. With Wi-Fi Direct, you can print documents, photos, or e-mail on your Wi-Fi mobile devices directly without a wireless access point.

NOTE:

- Wi-Fi Direct supports only IPv4 connection.
- The maximum number of devices that can be connected via the Wi-Fi Direct network is one.
- You cannot connect your mobile device to the Internet via the printer's Wi-Fi Direct network.
- Depending on the device, the channel used to connect the device to the printer via Wi-Fi Direct may differ from the channel used by the printer to connect to a network via Wi-Fi infrastructure mode. In such a case, simultaneous connection with Wi-Fi Direct and Wi-Fi infrastructure mode may not work properly.
- The printer connected with Wi-Fi Direct supports the following protocols; LPD, Port9100, WSD (Web Services on Devices) (print), Bonjour (mDNS), SNMPv1/v2c, CentreWare Internet Services.
- The **Wi-Fi Direct** LED lights up or blinks to indicate the printer's Wi-Fi Direct connection status. For more information, see "Status of Wi-Fi Direct LED" on page 17.

Setting Up Wi-Fi Direct

To use Wi-Fi Direct, you need to first set up the Wi-Fi Direct settings from Printer Setting Utility. To connect the mobile device to the printer via Wi-Fi Direct, you need to operate the mobile device to establish connection.

• Setting Up the Printer

- 1 Click **Start** → **All Programs** → **Fuji Xerox** → **Fuji Xerox Printer Software for Asia-Pacific** → your printer → **Printer Setting Utility**.

NOTE:

- The window to select a printer appears in this step when multiple print drivers are installed on your computer. In this case, click the name of the desired printer listed in **Printer Name**.

The Printer Setting Utility appears.

- 2 Click the **Printer Maintenance** tab.
- 3 Select **Network Settings** from the list at the left side of the page.
The **Network Settings** page is displayed.

- 4 Select the **Enable** check box of **Wi-Fi Direct** under **Wi-Fi Direct Setup**.

When you use a Wi-Fi Direct certified mobile device (including the device with the Wi-Fi Direct PIN function), proceed to step 6.

When you use a mobile device that is not Wi-Fi Direct certified, or mobile device with WPS-PBC (Wi-Fi Protected Setup™-Push Button Configuration), WPS-PIN (Wi-Fi Protected Setup-Personal Identification Number), proceed to step 5.

- 5 Select **Group Owner** under **Group Role**.

For a mobile device with WPS-PBC

- a Select WPS Method.
- b Select Push Button Control.

The printer is ready to use the WPS-PBC connection.

For a mobile device with WPS-PIN

- a Select WPS Method.
- b Select PIN Code to check the PIN code.

The printer is ready to use the WPS-PIN connection.

NOTE:

- To confirm the printer's PIN code, you can also print the list by selecting Print PIN Code under the WPS Method menu.

- 6 Confirm no device is connected with the Wi-Fi Direct connection.

No Entry is displayed on **Connection Status**.

NOTE:



- When other device is connected (the mobile device name is displayed on **Connection Status**), you cannot use the Wi-Fi Direct connection. Disconnect the other device from the Wi-Fi Direct network. For details, see "Disconnecting Wi-Fi Direct Network" on page 93.

- 7 Click **Apply New Settings**.

The printer is ready to use the Wi-Fi Direct connection.

• Connecting a Wi-Fi Direct Certified Mobile Device

The following is a typical procedure for connecting a mobile device to the printer using Wi-Fi Direct. The procedure varies depending on the mobile device you are using. Refer to the manual provided with your mobile device.

- 1 From the mobile device, start the procedure to connect using Wi-Fi Direct.
For the invitation of Wi-Fi Direct connection, the **Wi-Fi Direct** LED and  (**Start**) indicator on the operator panel starts flashing.
- 2 Press the  (**Start**) button to accept the invitation.

NOTE:

- If you want to change the printer's group role of the Wi-Fi Direct network, select **Group Role** under the **Wi-Fi Direct Setup** menu.

• Connecting a Wi-Fi Direct Certified Mobile Device With PIN Code

The following is a typical procedure for connecting a mobile device to the printer using Wi-Fi Direct PIN code. The procedure varies depending on the mobile device you are using. Refer to the manual provided with your mobile device.

NOTE:

- Before you connect the mobile device to the printer, confirm that WPS Method is set to PIN Code.

- 1 From the mobile device, start the procedure to connect using Wi-Fi Direct PIN code.
When the mobile device tries to connect through the Wi-Fi Direct network using the PIN code, the **Wi-Fi Direct** LED starts flashing.
- 2 Click **Start** → **All Programs** → **Fuji Xerox** → **Fuji Xerox Printer Software for Asia-Pacific** → your printer → **Printer Setting Utility**.

NOTE:



- The window to select a printer appears in this step when multiple print drivers are installed on your computer. In this case, click the name of the desired printer listed in **Printer Name**.

The Printer Setting Utility appears.

- 3 Click the **Printer Maintenance** tab.
- 4 Select **Network Settings** from the list at the left side of the page.
The **Network Settings** page is displayed.
- 5 Confirm the PIN code under **Wi-Fi Direct Setup**.

NOTE:

- To confirm the PIN code, you can also print it by clicking **Print** of **Print PIN Code**.

- 6 Input the PIN code to the mobile device.
For the invitation of Wi-Fi Direct connection, the **Wi-Fi Direct** LED and  (**Start**) indicator on the operator panel starts flashing.
- 7 Press the  (**Start**) button to accept the invitation.

• Connecting a Mobile Device That is not Wi-Fi Direct Certified

- 1 Click **Start** → **All Programs** → **Fuji Xerox** → **Fuji Xerox Printer Software for Asia-Pacific** → your printer → **Printer Setting Utility**.

NOTE:

- The window to select a printer appears in this step when multiple print drivers are installed on your computer. In this case, click the name of the desired printer listed in **Printer Name**.

The Printer Setting Utility appears.

- 2 Click the **Printer Maintenance** tab.
- 3 Select **Network Settings** from the list at the left side of the page.
The **Network Settings** page is displayed.

- 4 Check the SSID and passphrase under **Group Owner of Wi-Fi Direct Setup**.

NOTE:

- To confirm the printer's SSID and passphrase, you can also print the list by clicking **Print** or **Print Passphrase**.

- 5 Connect the mobile device to the Wi-Fi Direct network.
For Windows 8, Windows 8.1, Windows RT, and Windows RT 8.1

- a Tap **Settings** in the **PC settings** menu.
- b Tap the Wi-Fi icon.
- c Tap the printer's SSID, and then tap **Connect**.
- d Enter the passphrase, and then tap **Next**.
The mobile device will connect to the printer.

For Windows 7

- a Click the network icon on the taskbar.
- b Click the printer's SSID, and then click **Connect**.
- c Enter the passphrase, and then click **OK**.
- d Click **Cancel** to exit the **Set Network Location** window.
The mobile device will connect to the printer.

For Windows Vista

- a Click **Start** → **Connect To**.
- b Click the printer's SSID.
- c Enter the passphrase, and then click **Connect**.
The mobile device will connect to the printer.

For iOS

- a Tap **Settings** → **Wi-Fi**.
- b Tap the printer's SSID.
- c Enter the passphrase, and then tap **Join**.
The mobile device will connect to the printer.

For Android™

The procedure varies depending on the mobile device you are using. Refer to the manual provided with your mobile device.

- 6 Install the printer on the mobile device.
For Windows 8, Windows 8.1, Windows RT, and Windows RT 8.1
- a Click **Devices** in the **PC settings** menu.
 - b Click **Add a device** in the **Devices** sub-menu.

- c Click **DIRECT-xxxxxxx**.

The printer is ready for use.

For Windows Vista and Windows 7

You need to install the printer driver on the mobile device. For details, see "Configuring Printer and Installing Software on Windows" on page 37.

For iOS



You need to install the printing application such as Fuji Xerox Print & Scan Utility (Small Office) for iOS, and then the printer is ready for use.

For Android

You need to install the printing application such as Fuji Xerox Print & Scan Utility (Small Office) for Android, and then the printer is ready for use.

• Connecting a Mobile Device With WPS-PBC and WPS-PIN

The following is a typical procedure for connecting a mobile device to the printer using WPS-PBC or WPS-PIN. The procedure varies depending on the mobile device you are using. Refer to the manual provided with your mobile device.

- 1 From the mobile device, start the procedure to connect using the WPS-PBC or WPS-PIN.
The procedure varies depending on the mobile device you are using. Refer to the manual provided with your mobile device.
For the invitation of Wi-Fi Direct connection, the **Wi-Fi Direct** LED and  (**Start**) indicator on the operator panel starts flashing.
- 2 Press the  (**Start**) button to accept the invitation.

Printing via Wi-Fi Direct

The printing procedure varies depending on the mobile device you are using. Refer to the manual provided with your mobile device to print as you normally do from the device.

Disconnecting Wi-Fi Direct Network

- 1 Click **Start** → **All Programs** → **Fuji Xerox** → **Fuji Xerox Printer Software for Asia-Pacific** → your printer → **Printer Setting Utility**.
NOTE:
 - The window to select a printer appears in this step when multiple print drivers are installed on your computer. In this case, click the name of the desired printer listed in **Printer Name**.
The Printer Setting Utility appears.
- 2 Click the **Printer Maintenance** tab.
- 3 Select **Network Settings** from the list at the left side of the page.
The **Network Settings** page is displayed.
- 4 Click **Start** of **Disconnect Now** or **Disconnect and Reset Passphrase** under **Wi-Fi Direct Setup**.
NOTE:
 - If the mobile device automatically reconnects to the printer, click **Start** of **Disconnect and Reset Passphrase**.
- 5 Click **Apply New Settings**.
The selected device is successfully disconnected.

Resetting the Passphrase

- 1 Click **Start** → **All Programs** → **Fuji Xerox** → **Fuji Xerox Printer Software for Asia-Pacific** → your printer → **Printer Setting Utility**.

NOTE:

- The window to select a printer appears in this step when multiple print drivers are installed on your computer. In this case, click the name of the desired printer listed in **Printer Name**.

The Printer Setting Utility appears.

- 2 Click the **Printer Maintenance** tab.
- 3 Select **Network Settings** from the list at the left side of the page.
The **Network Settings** page is displayed.
- 4 Click **Reset** of **Reset Passphrase** under **Group Owner** of **Wi-Fi Direct Setup**.
- 5 Click **Apply New Settings**.
The Wi-Fi Direct is disconnected and the passphrase is reset.

■ Mobile Printing

This printer supports printing from a variety of mobile devices using the Fuji Xerox Print & Scan Utility (Small Office) for iOS / Android.

For Android OS, download for free from GooglePlay™, or please visit our online support at <http://www.fxap.com.sg/product/productDescription.jsp?id=175>

For iOS, download for free from App Store, or please visit our online support at <http://www.fxap.com.sg/product/productDescription.jsp?id=172>

■ Printing With AirPrint



This section provides information for printing with AirPrint. AirPrint allows you to print through a network with iPad (all models), iPhone (3GS or later), and iPod touch (3rd generation or later) running the latest version of iOS. AirPrint also allows you to accomplish basic network printing with Macintosh (Mac OS X 10.7 or later) without installing additional drivers.

Setting Up AirPrint on Your Printer

To use AirPrint, Bonjour (mDNS) and IPP protocols are required on your printer. Make sure that **Bonjour (mDNS)** and **IPP** are set to **Enable** on the CentreWare Internet Services. **Bonjour (mDNS)** and **IPP** can also be enabled by selecting the **Enabled** check box for the **Enable AirPrint** from the CentreWare Internet Services. Follow the procedure below to configure the environment settings for AirPrint from the CentreWare Internet Services.

- 1 Confirm that the printer is connected to the network.
- 2 Launch the CentreWare Internet Services by entering the IP address of the printer in your web browser.
- 3 Click the **Properties** tab.
- 4 In the left navigation panel, scroll down to **Protocol Settings** and click **AirPrint**.
- 5 Select the **Enable** check box for **Enable AirPrint**.


NOTE:

- If the **Enabled** check box is not active, it means that both **Bonjour (mDNS)** and **IPP** are already set to **Enable** on the CentreWare Internet Services and the printer is ready for AirPrint.


- 6 Click **Apply**.
- 7 Click **Reboot Machine** to restart the printer.
The printer is ready for AirPrint.

Printing via AirPrint

The following procedure uses the iPhone running iOS 7 as an example.

- 1 Open your e-mail, photo, web page, or document you want to print.
- 2 Tap the action icon .
- 3 Tap **Print**.
- 4 Select your printer and set printer options.
- 5 Tap **Print**.

NOTE:

- To cancel the printing job, double-click the **Home** button, tap the **Print Center** icon . If there are more than one job in the queue, select the job you want to cancel, then tap **Cancel Printing**.

■ Printing a Report Page

You can print various types of reports and lists.

System Settings

Purpose:

To print a list of the information such as the printer name, the status of the printer, and the network settings.

Panel Settings

Purpose:

To print a setting list such as network settings, system settings, maintenance, secure settings, and USB settings.

Job History

Purpose:

To print a detailed list of the jobs that have been processed. This list contains the last 50 jobs.

Error History

Purpose:

To print a detailed list of paper jams and fatal errors.

Demo Page




Purpose:

To print a test page.

Printing a System Settings Page

To verify detailed printer settings, print a System Settings page.

• Using the Operator Panel

- 1 Press and hold the  (**Start**) button when the  (**Ready**) indicator lights.
- 2 Release the button when the  (**Ready**) indicator blinks.
The System Settings page, Panel Settings, and Error History Report are printed.

• Using the Printer Setting Utility

The following procedure uses Windows 7 as an example.

- 1 Click **Start** → **All Programs** → **Fuji Xerox** → **Fuji Xerox Printer Software for Asia-Pacific** → your printer → **Printer Setting Utility**.

NOTE:

- The window to select a printer appears in this step when multiple print drivers are installed on your computer. In this case, click the name of the desired printer listed in **Printer Name**.

The Printer Setting Utility appears.

- 2 Click the **Printer Settings Report** tab.
- 3 Select **Reports** from the list at the left side of the page.
The **Reports** page is displayed.
- 4 Click **System Settings**.
The System Settings page is printed.

■ Printer Settings

You can select menu items and corresponding values from the Printer Setting Utility.

The following procedure uses Windows 7 as an example.

NOTE:

- Factory defaults may vary for different regions.
- These settings are active until new ones are selected or the factory defaults are restored.

To select a new value as a setting:

- 1 Click **Start** → **All Programs** → **Fuji Xerox** → **Fuji Xerox Printer Software for Asia-Pacific** → your printer → **Printer Setting Utility**.

NOTE:

- The window to select a printer appears in this step when multiple print drivers are installed on your computer. In this case, click the name of the desired printer listed in **Printer Name**.

The Printer Setting Utility appears.

- 2 Click the **Printer Maintenance** tab.
- 3 Select the desired menu item.
Each menu item has a list of values for the menu item. A value can be:
 - A phrase or word to describe a setting
 - A numerical value that can be changed
 - An On or Off setting
- 4 Select the desired value, and then click **Apply New Settings** or **Restart printer to apply new settings**.
Note that the print driver settings have precedence over the settings made on the Printer Settings Utility.

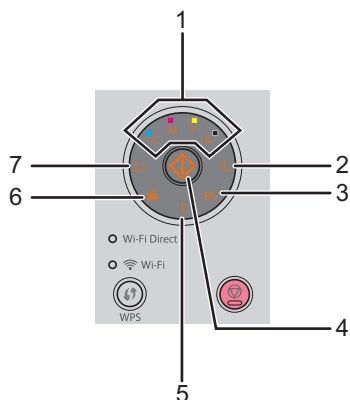
Using the Operator Panel

- "Understanding the Operator Panel Indicators" on page 98
- "Resetting to Factory Defaults" on page 104

Understanding the Operator Panel Indicators


The indicators light up or blink in orange or green to show printer conditions such as printer status, intervention (for example, out of paper), or service.

Off	On	Blink
—	●	☀
—	●	☀



The following table shows how the indicators light up or blink, when the printer status is normal.

1	2	3	4	5	6	7	Printer Status
Toner	Power Saver	Jam	Start	Error	Load Paper	Ready	
—	—	—	—	—	—	●	The printer is ready to print.
—	—	—	—	—	—	☀	The printer is processing, printing, warming up, waiting for incoming data, or starting on diagnosis.
—	☀	—	—	—	—	☀	The printer is canceling the print job.
—	●	—	—	—	—	—	The printer is in the power saver mode.
—	—	—	☀	—	—	●	The printer is waiting for manual duplex printing. ^{*1}
—	—	—	●	—	—	●	The printer is waking up from the sleep mode for the power saver mode.

^{*1} Load paper for the second side (odd) pages, and then press the  (**Start**) button. For more details, see "Manual Duplex Printing" on page 78.

■ Warnings

The following table shows the warning conditions. You can continue printing even though the warning appears.

1				2	3	4	5	6	7	Printer Status
Toner				Power Saver	Jam	Start	Error	Load Paper	Ready	
Y	M	C	K							
	—	—	—	—	—	—	*1	—	*2	The yellow toner is low.*3
—		—	—	—	—	—	*1	—	*2	The magenta toner is low.*3
—	—		—	—	—	—	*1	—	*2	The cyan toner is low.*3
—	—	—		—	—	—	*1	—	*2	The black toner is low.*3
				—	—	—	—	—	*2	The printer is in the Non-Genuine mode.
	—	—	—	—	—	—	—	—	*2	The yellow toner is empty.*4
—		—	—	—	—	—	—	—	*2	The magenta toner is empty.*4
—	—		—	—	—	—	—	—	*2	The cyan toner is empty.*4

*1 When another error occurs, (**Error**) indicator lights up and the toner indicators go out.

*2 The (**Ready**) indicator blinks or lights up green depending on the printer status.

*3 This warning appears only when Fuji Xerox toner cartridges are used (**Non-Genuine Mode** is set to off at the Printer Setting Utility).


*4 In this case, you can continue printing in black and white.




Common Errors

The following table shows the error conditions and how to solve them.

1				2	3	4	5	6	7	Cause/Remedy
Toner				Power Saver	Jam	Start	Error	Load Paper	Ready	
Y	M	C	K							
—	—	—	—	—	—		—		—	No paper is loaded. Load paper and press the (Start) button. See "Loading Print Media" on page 71.
—	—	—	—	—		—		—	—	Paper jams occurred. See "Clearing Jams" on page 111.
—	—	—	—	—	—				—	The wrong size of paper is loaded. See "Loading Print Media" on page 71.
—	—	—	—	—	—	—		—	—	The rear cover is open, or an error occurred. Press and hold the (Start) button to show more details of error with indicators.
	—	—	—	—	—	—		—	—	The specified toner cartridge is not installed or not installed correctly.
—		—	—	—	—	—		—	—	Re-install the specified toner cartridge.
—	—		—	—	—	—		—	—	See "Installing a Toner Cartridge" on page 148.
—	—	—		—	—	—		—	—	The specified toner cartridge is empty or inoperative, or the density of the specified toner is not enough.
	—	—	—	—	—	—		—	—	Replace the specified toner cartridge.
—		—	—	—	—	—		—	—	See "Replacing Toner Cartridges" on page 145.
—	—		—	—	—	—		—	—	
—	—	—		—	—	—		—	—	

When the ! (Error) indicator lights up

The following table shows more details after pressing and holding the  (Start) button.


1				2	3	4	5	6	7	Cause/Remedy
Toner				Power Saver	Jam	Start	Error	Load Paper	Ready	
Y	M	C	K							
—	—	—	●	●	—	—	●	●	—	Memory is full. Press the  (Stop) button to clear the error status and cancel the current print job. See "Canceling a Print Job" on page 82.
—	—	●	—	●	—	—	●	●	—	Page Description Language (PDL) error occurred. Press the  (Stop) button to clear the error status and cancel the current print job. See "Canceling a Print Job" on page 82.
—	●	—	—	●	—	—	●	●	—	The configuration of the printer set on the print driver does not match the configuration of your printer. Press the  (Stop) button to cancel the current print job. See "Canceling a Print Job" on page 82.
●	—	—	—	●	—	—	●	●	—	There is dust on the Color Toner Density (CTD) sensor. Clean the CTD sensor. See "Cleaning the Color Toner Density (CTD) Sensor" on page 144.

■ Fatal Errors

Contact the Fuji Xerox local representative office or an authorized dealer if this error occurs repeatedly.

See also:

- "Online Services" on page 161


1	2	3	4	5	6	7	Cause/Remedy
Toner	Power Saver	Jam	Start	Error	Load Paper	Ready	
—	—	—	—		—	—	A fatal error occurred. Turn off the printer, and then on.

■ Firmware Errors

Contact the Fuji Xerox local representative office or an authorized dealer if this error occurs repeatedly.




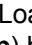



See also:

- "Online Services" on page 161

1				2	3	4	5	6	7	Cause/Remedy
Toner				Power Saver	Jam	Start	Error	Load Paper	Ready	
Y	M	C	K							
—	—	—	●	—	—	—	●	●	—	A firmware error occurred. Press the  (Stop) button to clear the error. See "Canceling a Print Job" on page 82.
—	—	●	●	—	—	—	●	●	—	A ROM erasing error occurred. Turn off the printer, and then on.
—	●	●	●	—	—	—	●	●	—	A ROM writing error occurred. Turn off the printer, and then on.
●	●	●	●	—	—	—	●	●	—	An error occurred while downloading the firmware. Turn off the printer, and then on.

Resetting to Factory Defaults

After Initializing the Non-Volatile Memory (NVM) and rebooting the printer, all the menu parameters are reset to their factory default values.

- 1 Turn off the printer.
- 2 Open the rear cover.
- 3 While pressing and holding the  (**Start**) button and the  (**Stop**) button at the same time, turn on the printer.
- 4 After the  (Load Paper),  (Jam),  (Ready), and toner indicators lights up, release the  (**Start**) button and  (**Stop**) button.
- 5 Close the rear cover.
The printer starts initializing the Non-Volatile Memory (NVM).

IMPORTANT:

- Never attempt to turn off the printer. The printer will cease to function.

The printer restarts automatically to apply the settings and prints the System Settings page.

- 6 Check if the factory settings are restored by referring to the System Settings page.

Digital Certificates

- "Using Digital Certificates" on page 106

Using Digital Certificates

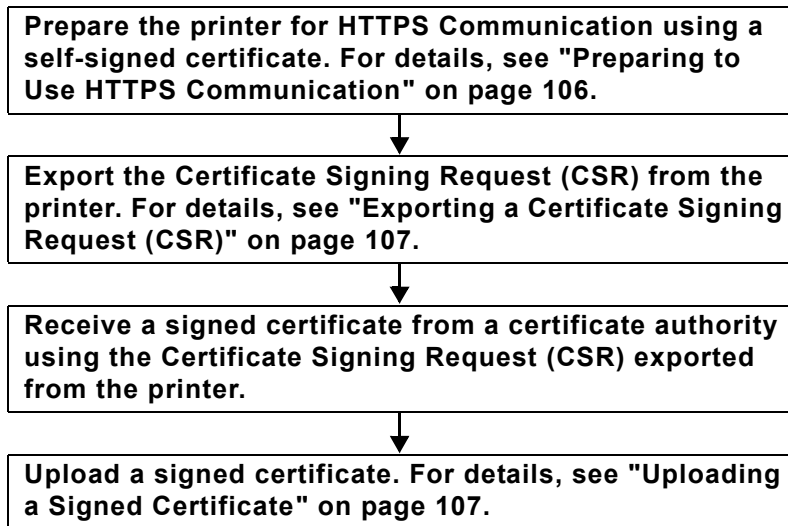
The authentication feature using digital certificates upgrades security when sending print data or setting data. To use digital certificates, set the digital certificate on the printer, and then enable various SSL/TLS communication.

NOTE:

- For information about the digital certificate error, see "Digital Certificate Problems" on page 135.

■ Setting a Digital Certificate

The following is a typical setup flow for setting digital certificates.



Preparing to Use HTTPS Communication

Before managing digital certificates, set HTTPS communication with a self-signed certificate.

- 1 Launch the CentreWare Internet Services by entering IP address of the printer in your web browser. For more information, see "CentreWare Internet Services" on page 22.
- 2 Click the **Properties** tab.
- 3 Click **SSL/TLS Server Communication** under **Security**.
- 4 Click **Create New Certificate**.
The **Generate Certificate** page is displayed.
- 5 Select the size of the public key from the list of **Public Key Size**.
- 6 Specify the issuer of SSL self-signed certificate.
- 7 Click **Generate Certificate**.
Your request was successfully processed. is displayed.
- 8 Click **Back**.
- 9 Select the **Enabled** check box of **SSL/TLS Server Communication**, and then click **Apply**.
Settings have been changed. Reboot system for new settings to take effect. is displayed.
- 10 Click **Reboot Machine**.

Exporting a Certificate Signing Request (CSR)

NOTE:

- To export a CSR from the printer, **SSL/TLS Server Communication** must be enabled with a self-signed certificate. For details, see "Preparing to Use HTTPS Communication" on page 106.
- If you are going to use a PKCS #12 digital certificate, do not export the CSR. The text box to enter the password when uploading the PKCS #12 digital certificate is displayed only when the CSR is not exported.

- 1 Launch the CentreWare Internet Services by entering IP address of the printer in your web browser.
For more information, see "CentreWare Internet Services" on page 22.
- 2 Click the **Properties** tab.
- 3 Click **SSL/TLS Server Communication** under **Security**.
- 4 Click **Certificate Signing Request (CSR)**.
The **Certificate Signing Request (CSR)** page is displayed.
- 5 Specify each item of the certificate signing request.
- 6 Click **Apply**.
- 7 Confirm the settings of the certificate signing request, and then click **Export**.
- 8 Save a CSR file to your computer.
Use this CSR to receive a signed certificate from a trusted certificate authority.

Uploading a Signed Certificate

After you have received the signed certificate from a trusted certificate authority, upload the signed certificate to the printer. You can also upload a PKCS #12 digital certificate that you created without using the CSR from the machine.

NOTE:

- The maximum number of digital certificates that you can upload is one.
- 1 Launch the CentreWare Internet Services by entering IP address of the printer in your web browser.
For more information, see "CentreWare Internet Services" on page 22.
 - 2 Click the **Properties** tab.
 - 3 Click **SSL/TLS Server Communication** under **Security**.
 - 4 Click **Upload Signed Certificate**.
The **Upload Signed Certificate** page is displayed.
 - 5 When uploading a PKCS #12 digital certificate, enter the password that is set on the digital certificate.

NOTE:

- **Password** is displayed only when the CSR is not exported from the printer.
If you are uploading a digital certificate that you received using the CSR from the printer, proceed to step 7.
- 6 Re-enter the password for confirmation.
 - 7 Click **Choose File** of **File Name**, and select the file to be imported.
 - 8 Click **Import**.

■ Managing the Digital Certificate

NOTE:

- To manage digital certificates, you must have a digital certificate set on the printer. For details, see "Setting a Digital Certificate" on page 106.

Confirming the Settings of a Digital Certificate

- 1 Launch the CentreWare Internet Services by entering IP address of the printer in your web browser.
For more information, see "CentreWare Internet Services" on page 22.
- 2 Click the **Properties** tab.
- 3 Click **SSL/TLS Server Communication** under **Security**.
- 4 Click **Certificate Management**.
The **Certificate Management** page is displayed.

Deleting a Digital Certificate

- 1 Launch the CentreWare Internet Services by entering IP address of the printer in your web browser.
For more information, see "CentreWare Internet Services" on page 22.
- 2 Click the **Properties** tab.
- 3 Click **SSL/TLS Server Communication** under **Security**.
- 4 To delete both the signed certificate and the self-signed certificate, click **Delete All Certificates**.
To delete just the digital certificate that is currently in use, proceed to step 5.
- 5 Click **Certificate Management**.
The **Certificate Management** page is displayed.
- 6 Click **Delete** at the upper-right corner.
- 7 Click **Delete**.

NOTE:

- When a digital certificate is deleted, the features associated with the deleted digital certificate are disabled. To delete a digital certificate being used, disable the feature in advance or switch the association to another digital certificate, and then switch to another operation mode if possible before deleting the digital certificate.
For an SSL Server, switch to another certificate such as a self-signed certificate.

■ Setting the SSL/TLS Communication Feature

Setting SSL/TLS Server Communication

Set the SSL/TLS Server Communication to use encrypted communication between HTTP and SMTP servers.

- 1 Launch the CentreWare Internet Services by entering IP address of the printer in your web browser. For more information, see "CentreWare Internet Services" on page 22.
- 2 Click the **Properties** tab.
- 3 Click **SSL/TLS Server Communication** under **Security**.
- 4 Confirm that the **Enabled** check box of **SSL/TLS Server Communication** is displayed.

NOTE:

- If **Disabled** is displayed instead of a check box, the digital certificate is not set. For details, see "Setting a Digital Certificate" on page 106.

- 5 Select the **Enabled** check box of **SSL/TLS Server Communication**.
- 6 Click **Apply**.
Settings have been changed. Reboot system for new settings to take effect. is displayed.
- 7 Click **Reboot Machine**.
After restarting the printer, communication is encrypted when communicating with HTTP or SMTP.

Troubleshooting

- "Clearing Jams" on page 111
- "Basic Printer Problems" on page 119
- "Printing Problems" on page 120
- "Print Quality Problems" on page 121
- "Adjusting Color Registration" on page 130
- "Wireless Problems" on page 133
- "Wi-Fi Direct Problems" on page 134
- "Digital Certificate Problems" on page 135
- "Other Problem" on page 136
- "Contacting Service" on page 137
- "Getting Help" on page 138
- "Non-Genuine Mode" on page 139

Clearing Jams

Careful selection of appropriate print media and proper loading allow you to avoid most jams.

See also:

- "About Print Media" on page 68
- "Supported Print Media" on page 70

NOTE:

- Before buying large quantities of any print media, it is recommended that you try a sample first.

■ Avoiding Jams

- Use only recommended print media. For details, see "About Print Media" on page 68.
- See "Loading Print Media in the Multipurpose Feeder" on page 72 to load print media properly.
- Do not overload the print media sources. Make sure that the stacked print media does not exceed the maximum height indicated on the paper width guides.
- Do not load wrinkled, creased, damp, or curled print media.
- Flex, fan, and straighten print media before you load it. If a jam occurs with print media, try feeding one sheet at a time through the multipurpose feeder.
- Do not use print media that you have cut or trimmed.
- Do not mix print media sizes, weights, or types in the same print media source.
- Make sure that the recommended print side is facing up when you insert the print media.
- Keep print media stored in an acceptable environment. For details, see "Print Media Storage Guidelines" on page 69.
- Make sure that all cables connected to the printer are correctly inserted.
- Overtightening the guides may cause jams.

■ Identifying the Location of Paper Jams

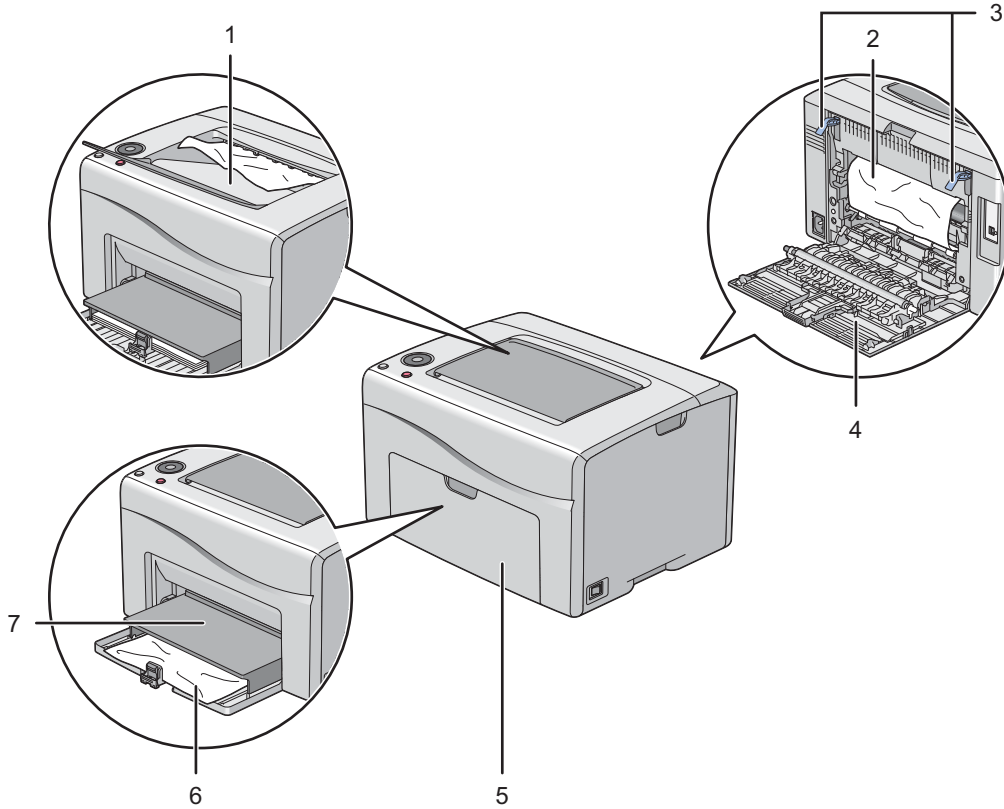
⚠ CAUTION:

- Do not attempt to remove a paper deeply jammed inside the product, particularly a paper wrapped around the fusing unit or the heat roller. Otherwise, it may cause injuries or burns. Switch off the product immediately and contact your local Fuji Xerox representative.

IMPORTANT:

- Do not attempt to clear any jams using tools or instruments. This may permanently damage the printer.

The following illustration shows where paper jams may occur along the print media path.



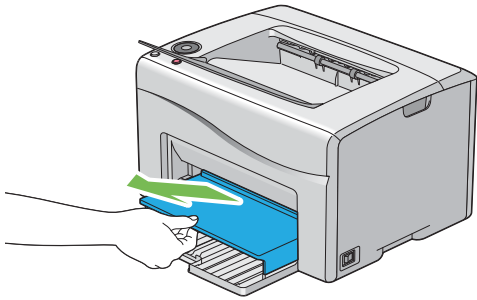
- | | |
|---|---------------------|
| 1 | Center Output Tray |
| 2 | Transfer Belt |
| 3 | Levers |
| 4 | Rear Cover |
| 5 | Front Cover |
| 6 | Multipurpose Feeder |
| 7 | Paper Cover |

■ Clearing Paper Jams From the Front of the Printer

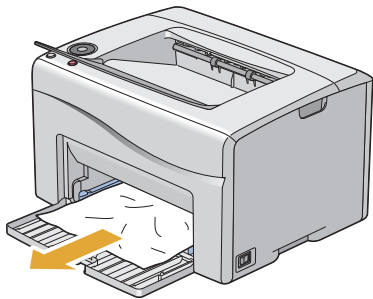
NOTE:

- To resolve the error displayed on the operator panel, you must clear all print media from the print media path.

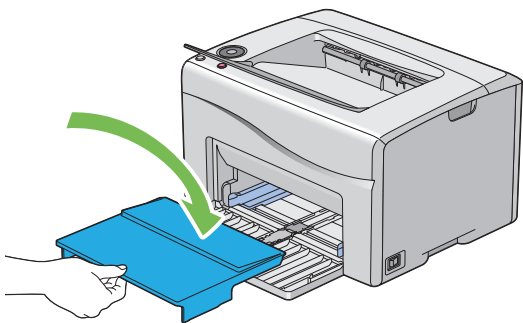
- 1 Pull the paper cover out.



- 2 Remove any paper jammed from the front of the printer.



- 3 Replace the paper cover in the printer.



IMPORTANT:

- Do not use excessive force on the paper cover. Doing so could damage the paper cover or the insides of the printer.

■ Clearing Paper Jams From the Rear of the Printer

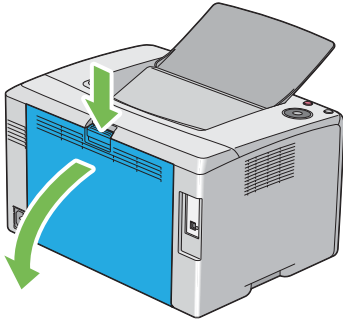
IMPORTANT:

- To prevent electric shock, always turn off the printer and disconnect the power cord from the grounded outlet before performing maintenance.
- To avoid burns, do not clear paper jams immediately after printing. The fusing unit becomes extremely hot during use.

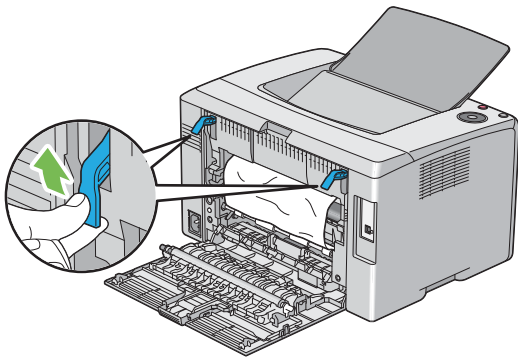
NOTE:

- To resolve the error displayed on the operator panel, you must clear all print media from the print media path.

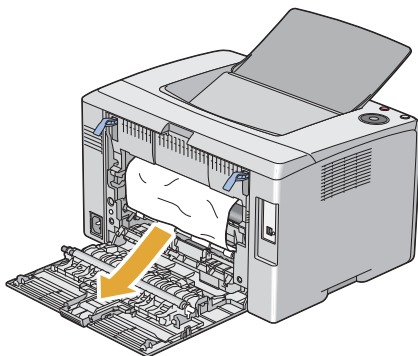
- 1 Push the rear cover handle and open the rear cover.



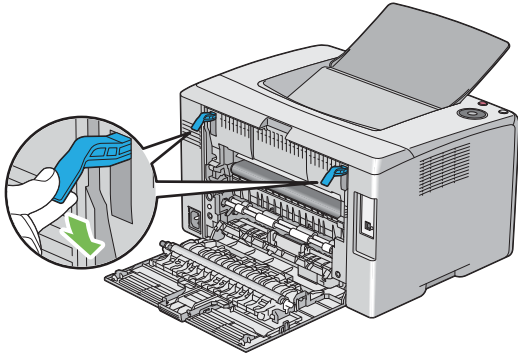
- 2 Lift up the levers.



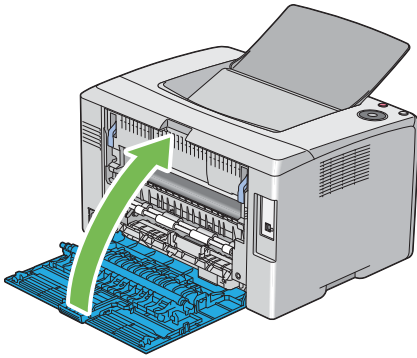
- 3 Remove any paper jammed from the rear of the printer by carefully pulling it in the direction of the arrow shown in the following illustration.



4 Lower the levers to their original position.



5 Close the rear cover.



■ Clearing Paper Jams From the Center Output Tray

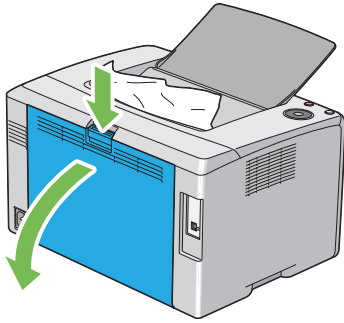
IMPORTANT:

- To prevent electric shock, always turn off the printer and disconnect the power cord from the grounded outlet before performing maintenance.
- To avoid burns, do not clear paper jams immediately after printing. The fusing unit becomes extremely hot during use.

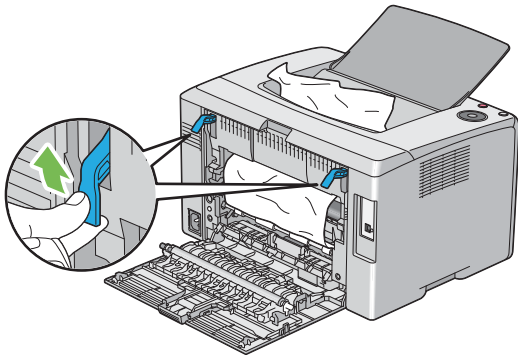
NOTE:

- To resolve the error displayed on the operator panel, you must clear all print media from the print media path.

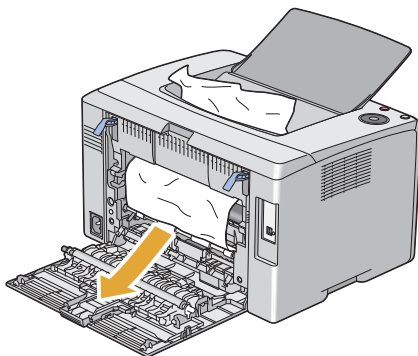
- 1 Push the rear cover handle and open the rear cover.



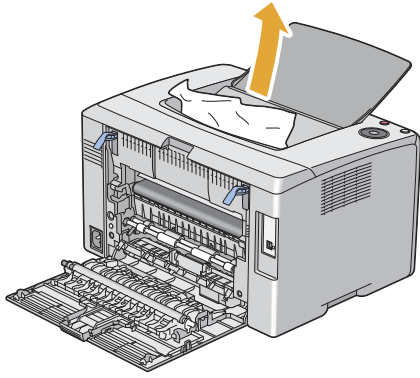
- 2 Lift up the levers.



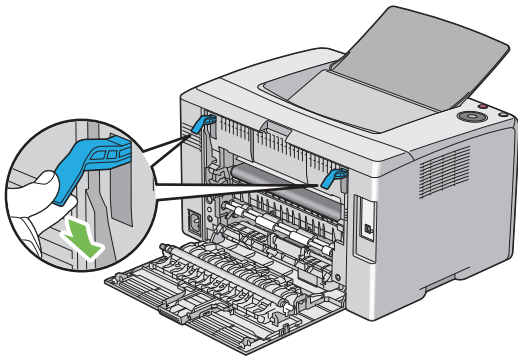
- 3 Remove any paper jammed from the rear of the printer by carefully pulling it in the direction of the arrow shown in the following illustration.



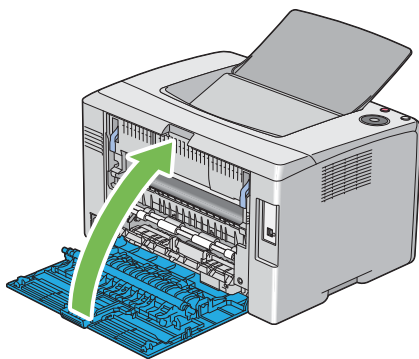
- 4 If no paper is found in the paper path, remove any paper jammed out of the center output tray.



- 5 Lower the levers to their original position.



- 6 Close the rear cover.



■ Jam Problems

Misfeed jam

Problem	Action
Print media misfeeds occur.	Make sure that the paper is properly inserted in the multipurpose feeder. If the problem persists, verify that the correct print media is being used. Depending on the print media you use, take any of the following actions: <ul style="list-style-type: none">• For thick paper, use the one that is 163 gsm or less.• For thin paper, use the one that is 60 gsm or more.• For the envelope, make sure that it is properly loaded in the multipurpose feeder as instructed in "Loading Envelope in the Multipurpose Feeder" on page 76. If the envelope is deformed, correct it or use another envelope. If performing manual duplex printing, make sure that the print media is not curled. Fan the print media. If the print media is damp, turn over the print media. If the problem continues, use print media that is not damp.

NOTE:

- If the problem continues even though you have taken suggested actions described above, contact the Fuji Xerox local representative office or an authorized dealer.

Multi-feed jam

Problem	Action
Print media multiple feeds occur.	Make sure that the paper is inserted properly in the multipurpose feeder. If the print media is damp, use print media that is not damp. Fan the print media.

NOTE:

- If the problem continues even though you have taken suggested actions described above, contact the Fuji Xerox local representative office or an authorized dealer.

Basic Printer Problems

Some printer problems can be easy to resolve. If a problem occurs with your printer, check each of the following:


- The power cord is connected to the printer, and to a properly grounded electrical outlet.
- The printer is turned on.
- The electrical outlet is not turned off at any switch or breaker.
- Other electrical equipment plugged into the outlet is working.

If you have checked all of the above and still have a problem, turn off the printer, wait for 10 seconds, and then turn on the printer. This often fixes the problem.

NOTE:

- If error occurs, the operator panel indicator lights or blinks. For details about indicators, see "Understanding the Operator Panel Indicators" on page 98. If error messages are displayed on your computer, follow the on-screen instructions to resolve the printer problems.

Printing Problems

Problem	Action
Job did not print or incorrect characters printed.	<p>Make sure that the  (Ready) indicator is lit.</p> <p>Make sure that the print media is loaded in the printer.</p> <p>Verify that you are using the correct print driver.</p> <p>If you are using wireless connection, make sure that the wireless connection is established.</p> <p>If you are using USB connection, make sure that you are using the correct USB cable and that it is securely connected to the printer.</p> <p>Verify that the correct print media size is selected.</p> <p>If you are using a print spooler, verify that the spooler has not stalled.</p>
Print media misfeeds or multiple feeds occur.	<p>Make sure that the print media you are using meets the specifications for your printer.</p> <p>See also:</p> <ul style="list-style-type: none">• "Usable Print Media" on page 70 <p>Fan the print media before loading it.</p> <p>Make sure that the print media is loaded correctly.</p> <p>Make sure that the paper width guides and length guide are adjusted correctly.</p> <p>Do not overload the print media sources.</p> <p>Do not force print media into the multipurpose feeder when you load it. Otherwise, it may skew or buckle.</p> <p>Make sure that the print media is not curled.</p> <p>Load the recommended print side correctly for the type of print media you are using.</p> <p>See also:</p> <ul style="list-style-type: none">• "Loading Print Media" on page 71 <p>Turn the print media over or around and try printing again to see if feeding improves.</p> <p>Do not mix print media types.</p> <p>Do not mix print media sizes.</p> <p>Remove the top and bottom curled sheets of a ream before loading the print media.</p> <p>Load the print media source only when it is empty.</p>
The envelope is creased after printing.	<p>Make sure that the envelope is loaded as instructed in "Loading Envelope in the Multipurpose Feeder" on page 76.</p>
Page breaks in unexpected places.	<p>Increase the value for Job Timeout in the System Settings menu, that is on the Printer Maintenance tab in the Printer Setting Utility.</p> <p>Increase the timeout value for the protocol in use in the Protocol Settings menu on the CentreWare Internet Services.</p>
Printer does not duplex pages.	<p>Select either of the duplex printing options (flip on short edge/flip on long edge) in the print driver.</p> <p>See also:</p> <ul style="list-style-type: none">• "Manual Duplex Printing" on page 78

Print Quality Problems

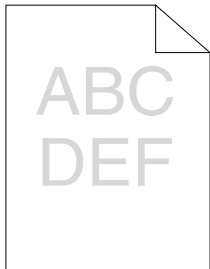
NOTE:

- In this section, some procedures use the Printer Setting Utility or the SimpleMonitor.

See also:

- "Printer Setting Utility" on page 23
- "SimpleMonitor (Windows Only)" on page 24
- "Understanding the Operator Panel Indicators" on page 98

■ The Output Is Too Light

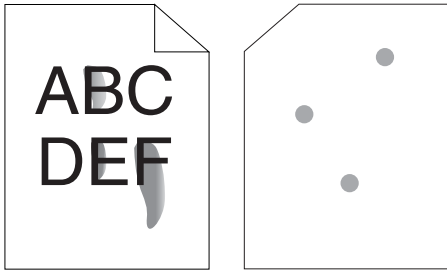


Problem	Action
The output is too light.	<p>The toner cartridges may be low or need to be replaced. Confirm the amount of toner in each toner cartridge.</p> <ol style="list-style-type: none">1 Check the toner level in the Status tab in the Printer Status window of the SimpleMonitor.2 Replace the toner cartridges as necessary. <hr/> <p>Verify that the print media is dry and the correct print media is used. If not, use the print media recommended for the printer.</p> <p>See also:</p> <ul style="list-style-type: none">• "Usable Print Media" on page 70 <hr/> <p>Try changing the paper type setting in the print driver. The following procedure uses the Microsoft® Windows® print driver as an example.</p> <ol style="list-style-type: none">1 On the Paper/Output tab in Printing Preferences of the print driver, change the Paper Type setting.2 Load dry (not damp) and correct print media, and then click Print Test Page in the Properties window of the print driver. <hr/> <p>Disable the toner saving feature in the print driver.</p> <p>See also:</p> <ul style="list-style-type: none">• "Conserving Supplies" on page 154

NOTE:

- If the problem continues even though you have taken suggested actions described above, contact the Fuji Xerox local representative office or an authorized dealer.

■ Toner Smears or Print Comes Off/Stain on Back Side

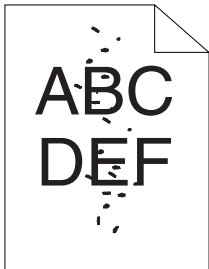


Problem	Action
Toner smears or print comes off. The output has stain on the back side.	<p>The print media surface may be uneven. Try changing the paper type setting in the print driver. For example, change Plain to Lightweight Cardstock. The following procedure uses the Windows print driver as an example.</p> <ol style="list-style-type: none"> 1 On the Paper/Output tab in Printing Preferences of the print driver, change the Paper Type setting. <hr/> <p>Verify that the correct print media is being used. If not, use the print media recommended for the printer.</p> <p>See also:</p> <ul style="list-style-type: none"> • "Usable Print Media" on page 70 <hr/> <p>Adjust the temperature of the fusing unit.</p> <ol style="list-style-type: none"> 1 Launch the Printer Setting Utility, and click Adjust Fusing Unit on the Printer Maintenance tab. 2 Adjust the fixing temperature by turning up the value for your printing media. 3 Click Apply New Settings.

NOTE:

- If the problem continues even though you have taken suggested actions described above, contact the Fuji Xerox local representative office or an authorized dealer.

■ Random Spots/Blurred Images

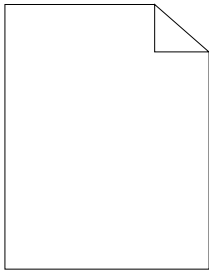


Problem	Action
The printed result has random spots or is blurred.	<p>Make sure that the toner cartridges are installed correctly.</p> <p>See also:</p> <ul style="list-style-type: none"> • "Installing a Toner Cartridge" on page 148 <hr/> <p>If you use non-genuine brand toner cartridges, install genuine brand toner cartridges.</p> <hr/> <p>Clean up the fusing unit.</p> <ol style="list-style-type: none"> 1 Load one sheet of paper on the multipurpose feeder, and then print a solid image all over paper. 2 Load the printed sheet with the printed side facing down, and then print a blank sheet of paper.

NOTE:

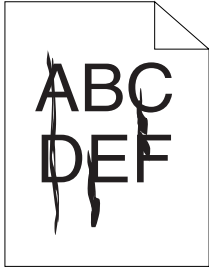
- If the problem continues even though you have taken suggested actions described above, contact the Fuji Xerox local representative office or an authorized dealer.

■ The Entire Output Is Blank



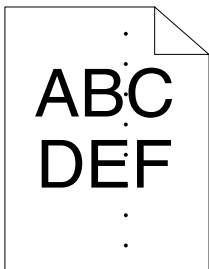
If this trouble happens, contact the Fuji Xerox local representative office or an authorized dealer.

■ Streaks Appear on the Output



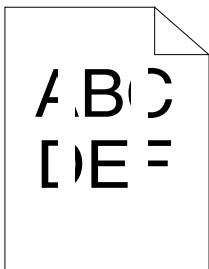
If this trouble happens, contact the Fuji Xerox local representative office or an authorized dealer.

■ Pitched Color Dots



If this trouble happens, contact the Fuji Xerox local representative office or an authorized dealer.

■ Vertical Blanks



Problem	Action
The printed result has vertical blanks.	Clean inside the printer and perform a test print. <ol style="list-style-type: none">1 Clean inside the printer by using the print head cleaning rod.2 Click Print Test Page in the Properties window of the print driver. See also: <ul style="list-style-type: none">• "Cleaning Inside the Printer" on page 141

NOTE:

- If the problem continues even though you have taken suggested actions described above, contact the Fuji Xerox local representative office or an authorized dealer.

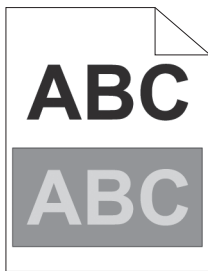
■ Mottle

Problem	Action
The printed result has mottled appearance.	<p>Adjust the transfer bias.</p> <ol style="list-style-type: none"> 1 Launch the Printer Setting Utility, and click Adjust BTR on the Printer Maintenance tab. 2 Adjust the setting for the type of print media being used. 3 Click Apply New Settings.
	If you use non-recommended print media, use the print media recommended for the printer.

NOTE:

- If the problem continues even though you have taken suggested actions described above, contact the Fuji Xerox local representative office or an authorized dealer.

■ Ghosting



Problem	Action
The printed result has ghosting.	<p>Adjust the transfer bias.</p> <ol style="list-style-type: none"> 1 Launch the Printer Setting Utility, and click Chart Print on the Diagnosis tab. 2 Click Ghost Configuration Chart. The Ghost Configuration Chart is printed. 3 Click BTR Refresh Mode on the Printer Maintenance tab. 4 Select the check box next to On, and then click Apply New Settings. 5 Click Chart Print on the Diagnosis tab. 6 Click Ghost Configuration Chart. The Ghost Configuration Chart is printed.
	<p>The print media surface may be uneven. Try changing the paper type setting in the print driver. For example, change Plain to Lightweight Cardstock. The following procedure uses the Windows print driver as an example.</p> <ol style="list-style-type: none"> 1 On the Paper/Output tab in Printing Preferences of the print driver, change the Paper Type setting.
	<p>Adjust the temperature of the fusing unit.</p> <ol style="list-style-type: none"> 1 Launch the Printer Setting Utility, and click Adjust Fusing Unit on the Printer Maintenance tab. 2 Adjust the fixing temperature by turning up the value for your printing media. 3 Click Apply New Settings.
	If you use non-recommended print media, use the print media recommended for the printer.

NOTE:

- If the problem continues even though you have taken suggested actions described above, contact the Fuji Xerox local representative office or an authorized dealer.

■ Fog



Problem	Action
The entire page is foggy.	Contact the Fuji Xerox local representative office or an authorized dealer.
Part of the page is foggy.	<p>Start Clean Developer.</p> <ol style="list-style-type: none"> 1 Launch the Printer Setting Utility, and click Clean Developer on the Diagnosis tab. 2 Click Start. <p>If the problem continues even after performing Clean Developer, start Refresh Mode.</p> <ol style="list-style-type: none"> 1 Launch the Printer Setting Utility, and then click Refresh Mode on the Diagnosis tab. 2 Select the color that is the same as the fog. <p>If the problem continues even after performing Refresh Mode, start Refresh Mode again.</p> <p>NOTE:</p> <ul style="list-style-type: none"> • If the problem continues even after performing Refresh Mode twice, contact the Fuji Xerox local representative office or an authorized dealer.

■ Bead-Carry-Out (BCO)

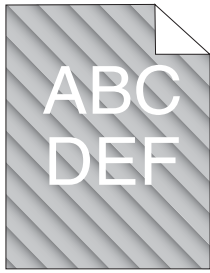


Problem	Action
Bead-Carry-Out (BCO) is happening.	<p>If the printer is installed in a high altitude location, set the altitude of the location.</p> <ol style="list-style-type: none"> 1 Launch the Printer Setting Utility, and click Adjust Altitude on the Printer Maintenance tab. 2 Select the value close to the altitude of the location where the printer is installed. 3 Click Apply New Settings.

NOTE:

- If the problem continues even though you have taken suggested actions described above, contact the Fuji Xerox local representative office or an authorized dealer.

■ Auger Mark

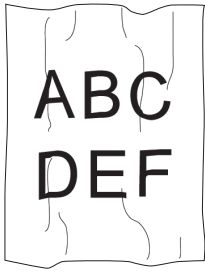


Problem	Action
The printed result has auger mark.	<p>The toner cartridges may be low or need to be replaced. Confirm the amount of toner in each toner cartridge.</p> <ol style="list-style-type: none">1 Check the toner level in the Status tab in the Printer Status window of the SimpleMonitor.2 Replace the toner cartridges as necessary.
	<p>Start Clean Developer.</p> <ol style="list-style-type: none">1 Launch the Printer Setting Utility, and click Clean Developer on the Diagnosis tab.2 Click Start.

NOTE:

- If the problem continues even though you have taken suggested actions described above, contact the Fuji Xerox local representative office or an authorized dealer.

■ Wrinkled/Stained Paper

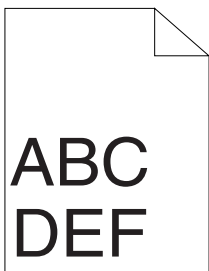


Problem	Action
The output is wrinkled. The output is stained.	Verify that the correct print media is being used. If not, use the print media recommended for the printer. If excessive wrinkles occur, use paper or other media from a new package. See also: <ul style="list-style-type: none">• "Usable Print Media" on page 70• "About Print Media" on page 68
	If you use the envelope, check whether the crease is within 30 mm of the four edges of the envelope. If the crease is within 30 mm of the four edges of the envelope, this is considered normal. Your printer is not at fault. If not, take the following actions: <ul style="list-style-type: none">• If the envelope is Com 10 envelope, which is 220 mm or longer and has a flap on the long edge, use a different size envelope.• If the envelope is C5, which is 220 mm or longer and has a flap on the short edge, load it in the multipurpose feeder with the flap open and facing up.• If the envelope is Monarch or DL, which is shorter than 220 mm, load it long edge feed in the multipurpose feeder with the flap open and facing up. If the problem continues, use a different size envelope.

NOTE:

- If the problem continues even though you have taken suggested actions described above, contact the Fuji Xerox local representative office or an authorized dealer.

■ The Top Margin Is Incorrect



Problem	Action
The top margin is incorrect.	Make sure that the margins are set correctly on the application being used.

NOTE:

- If the problem continues even though you have taken suggested actions described above, contact the Fuji Xerox local representative office or an authorized dealer.

■ Color Registration Is Out of Alignment

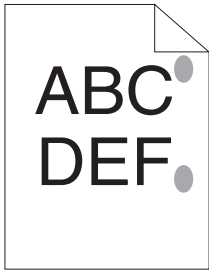


Problem	Action
Color registration is out of alignment.	<p>Execute an auto color registration adjustment.</p> <ol style="list-style-type: none">1 Launch the Printer Setting Utility, and click Registration Adjustment on the Printer Maintenance tab.2 Deselect the check box next to On.3 Click Start next to Auto Correct. <hr/> <p>Clean the CTD sensor.</p> <ol style="list-style-type: none">1 Clean the CTD sensor.2 Launch the Printer Setting Utility, and click Registration Adjustment on the Printer Maintenance tab.3 Deselect the check box next to On.4 Click Start next to Auto Correct. <p>See also:</p> <ul style="list-style-type: none">• "Cleaning the Color Toner Density (CTD) Sensor" on page 144 <hr/> <p>Print the color registration chart and manually correct the color registration.</p> <ol style="list-style-type: none">1 Launch the Printer Setting Utility, and click Registration Adjustment on the Printer Maintenance tab.2 Deselect the check box next to On.3 Click Start next to Print Color Regi Chart. The color registration chart is printed.4 Check the values with the straight lines on the chart.5 Select the value for each color on the Printer Setting Utility.6 Click Apply New Settings.7 Click Start next to Print Color Regi Chart to print the color registration chart again.8 Adjust until all straight lines are at the value of 0. <p>See also:</p> <ul style="list-style-type: none">• "Adjusting Color Registration" on page 130

NOTE:

- If the problem continues even though you have taken suggested actions described above, contact the Fuji Xerox local representative office or an authorized dealer.

■ Protrudent/Bumpy Paper



Problem	Action
Printed surface got protrudent/bumpy.	Clean up the fusing unit. 1 Load one sheet of paper on the multipurpose feeder, and then print a solid image all over the paper. 2 Load the printed sheet with the printed side facing down, and then print a blank sheet of paper.

NOTE:

- If the problem continues even though you have taken suggested actions described above, contact the Fuji Xerox local representative office or an authorized dealer.

Adjusting Color Registration

This section describes how to adjust the color registration when you first install the printer or after moving it to a new location.

■ Performing Auto Correct

Auto Correct allows you to correct the color registration automatically.

Using the Printer Setting Utility

The following procedure uses Windows 7 as an example.

- 1 Click **Start** → **All Programs** → **Fuji Xerox** → **Fuji Xerox Printer Software for Asia-Pacific** → your printer → **Printer Setting Utility**.

NOTE:

- The window to select a printer appears in this step when multiple print drivers are installed on your computer. In this case, click the name of the desired printer listed in **Printer Name**.

The Printer Setting Utility opens.

- 2 Click the **Printer Maintenance** tab.
- 3 Select **Registration Adjustment** from the list at the left side of the page.
The **Registration Adjustment** page is displayed.
- 4 Deselect the check box next to **On**.
- 5 Click **Start** next to **Auto Correct**.
The color registration is corrected automatically.

■ Printing the Color Registration Chart

Using the Printer Setting Utility

The following procedure uses Windows 7 as an example.

- 1 Click **Start** → **All Programs** → **Fuji Xerox** → **Fuji Xerox Printer Software for Asia-Pacific** → your printer → **Printer Setting Utility**.

NOTE:

- The window to select a printer appears in this step when multiple print drivers are installed on your computer. In this case, click the name of the desired printer listed in **Printer Name**.

The Printer Setting Utility opens.

- 2 Click the **Printer Maintenance** tab.
- 3 Select **Registration Adjustment** from the list at the left side of the page.
The **Registration Adjustment** page is displayed.
- 4 Deselect the check box next to **On**.
- 5 Click **Start** next to **Print Color Regi Chart**.
The color registration chart is printed.

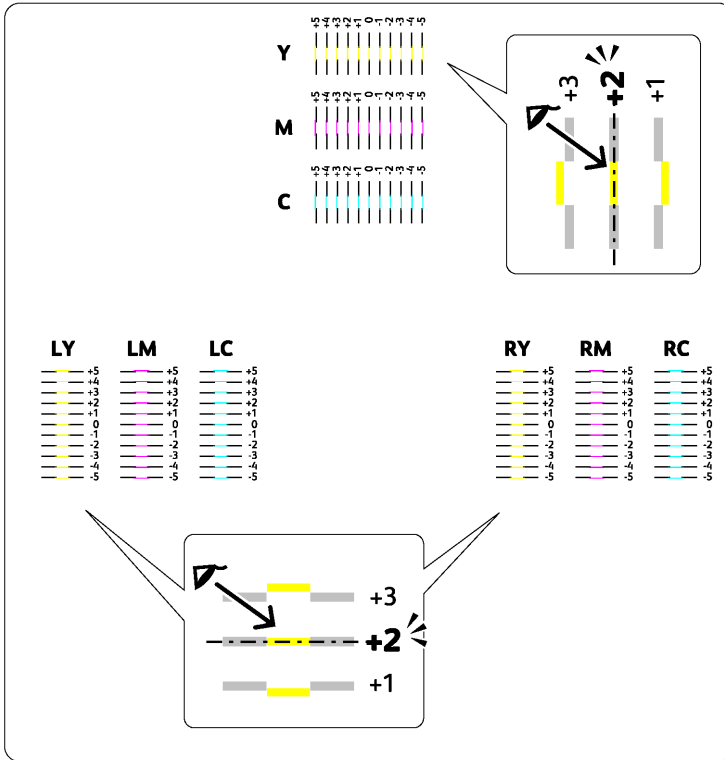
■ Determining Values

On the color registration chart printed, find the straightest lines where the two black lines and the colored line are most closely aligned for each color (Y, M, and C).

If you find the straightest line, make a note of the value (-5 – +5) indicated by the straightest line for each color.

When the value is 0 for each color, you do not need to adjust the color registration.

When the value is not 0, enter the value according to the procedure in "Entering Values" on page 132.



■ Entering Values

Using the Printer Setting Utility

Enter the values that you found in the color registration chart to make adjustments.

The following procedure uses Windows 7 as an example.

- 1 Click **Start** → **All Programs** → **Fuji Xerox** → **Fuji Xerox Printer Software for Asia-Pacific** → your printer → **Printer Setting Utility**.

NOTE:

- The window to select a printer appears in this step when multiple print drivers are installed on your computer. In this case, click the name of the desired printer listed in **Printer Name**.


The Printer Setting Utility opens.

- 2 Click the **Printer Maintenance** tab.
- 3 Select **Registration Adjustment** from the list at the left side of the page.
The **Registration Adjustment** page is displayed.
- 4 Deselect the check box next to **On**.
- 5 Select the value you checked in the color registration chart, and then click **Apply New Settings**.
- 6 Click **Start** next to **Print Color Regi Chart**.
The color registration chart is printed with the new values.
- 7 Adjust until all straight lines are at the value of 0.
Viewing the images before and after will help.

IMPORTANT:

- After printing the color registration chart, do not turn off the printer until the printer motor has stopped running.

Wireless Problems

Problem	Action
Cannot setup wireless connection.	Make sure that the  (Wi-Fi) LED on the operator panel lights up. See also: <ul style="list-style-type: none">• "Status of Wi-Fi Direct LED" on page 17 Try disabling the firewall on your computer. The firewall on your computer may be blocking communication with your printer.
Cannot setup wireless connection with WPS (Wi-Fi Protected Setup™).	Make sure that the security setting of the wireless LAN access point or router is WPA™ (Wi-Fi Protected Access®) or WPA2™. (WEP is not supported on WPS.)
Cannot setup wireless connection with the WPS-PBC (Wi-Fi Protected Setup-Push Button Configuration).	Press the WPS button on the wireless LAN access point or router within two minutes after starting the WPS operation on the printer. For details about the wireless LAN access point or router, refer to the manual supplied with the wireless LAN access point or router.
Cannot setup wireless connection with WPS-PIN (Wi-Fi Protected Setup-Personal Identification Number).	Check if the PIN you have entered on the computer is correct.
Cannot connect to the wireless network after setting up wireless connection.	Check if the passphrase for WPA/WPA2 encryption or WEP key set on the wireless LAN access point or router has been changed. (Passphrase may be described as key on some access points or routers.) For details about the wireless LAN access point or router, refer to the manual supplied with the wireless LAN access point or router.


Wi-Fi Direct Problems

Problem	Action
The device cannot discover the printer.	The printer may be connected to another device via Wi-Fi Direct®. Disconnect the printer and the device. For details, see "Disconnecting Wi-Fi Direct Network" on page 93.
The printer cannot disconnect from the device even when the procedure in "Disconnecting Wi-Fi Direct Network" has been performed.	The device may be automatically reconnecting to the printer. Reset the passphrase for Wi-Fi Direct and disconnect the device. For details, see "Resetting the Passphrase" on page 94.
The network mode of the printer cannot be set to Ad-Hoc mode.	Make sure that Wi-Fi Direct is set to Disable .
Wi-Fi Direct cannot be set to Enable .	Make sure that the network mode is set to Wi-Fi infrastructure mode.

Digital Certificate Problems

Problem	Action
The Certificate Signing Request (CSR) / Upload Signed Certificate is not displayed.	Create a self-signed certificate and enable SSL/TLS Server Communication . For details, see "Preparing to Use HTTPS Communication" on page 106.
The digital certificate cannot be uploaded.	Confirm validity period of the digital certificate as well as the time setting of the device. Confirm that the password is correct. Confirm that the file type is PKCS #7/#12 or x509CACert (extension: p7b/p12/pfx/cer/crt). Confirm that the attribute information (Key usage/Extended key usage) of the digital certificate to be imported is set correctly. Use Internet Explorer®.
Although a digital certificate was uploaded, it is not displayed.	To upload a digital certificate for use with the device (own device), import the secret key and a digital certificate of the PKCS #12 (p12/pfx) format as a pair.
Server validation is not operating correctly.	Although uploading a root certificate (Trusted) to use for server authentication, an intermediate certificate may be required when validating the path. When executing a digital certificate file with the certification authority, create the digital certificate with a format including all paths and then import that digital certificate.

Other Problem

Problem	Action
After the printer is turned on, the  (Ready) indicator is not lit.	Turn off the printer, wait for 10 seconds, and turn on the printer.
Condensation has occurred inside the printer.	This usually occurs within several hours after you heat the room in winter. This also occurs when the printer is operating in a location where relative humidity reaches 85% or more. Adjust the humidity or relocate the printer to an appropriate environment.

Contacting Service

When you call for printer service, be prepared to describe the problem you are experiencing or the status of operator panel indicators.

You need to know the model of your printer and serial number. See the label on the rear cover of your printer.

Getting Help

Fuji Xerox provides several automatic diagnostic tools to help you produce and maintain print quality.

■ Operator Panel Indicator

The operator panel indicator provides you with information on errors and warnings. When an error or warning condition occurs the operator panel indicator informs you of the problem.

See also:

- "Understanding the Operator Panel Indicators" on page 98

■ SimpleMonitor Alerts (Windows Only)

The SimpleMonitor is a tool that is included on the *Software Pack CD-ROM*. It automatically checks the printer status when you send a print job. If the printer is unable to print your job, the SimpleMonitor automatically displays an alert on your computer screen to let you know that the printer needs attention.

■ Obtaining the Product Information

Obtaining the Latest Print Driver

The latest print driver can be obtained by downloading it from our web site.

This section explains the procedures using Windows 7 as an example.

NOTE:

- The communication fee shall be borne by users.

- 1 Click **Start** → **Devices and Printers**.
- 2 Right-click the printer icon and select **Printer properties**.
- 3 On the **Configuration** tab.
- 4 Select **About**.
- 5 Click **Fuji Xerox Web Site**.
Your web browser launches and our web site is displayed.
- 6 Follow the instructions on the web site and download an appropriate print driver.

NOTE:

- The URL of the driver download service page is as follows: <http://www.fujixeroxprinters.com/>
- For the latest information about the print driver features, refer to the Help provided for the print driver.

Updating the Printer's Firmware

Our web site also provides a tool that allows you to update the printer's firmware (software embedded within the printer) from your computer.

The latest firmware and updating tool can be downloaded from the following URL.

Follow the instructions on the web site and download the correct firmware update.

<http://www.fujixeroxprinters.com/>

NOTE:

- The communication fee shall be borne by users.

Non-Genuine Mode

When toner within a toner cartridge is empty, a toner indicator lights up or blinks, and at the same time, the **!** (**Error**) indicator lights up depending on the printer status. For details on indicators, see "Understanding the Operator Panel Indicators" on page 98.

When you want to use the printer in the Non-Genuine mode, enable the Non-Genuine mode and replace the toner cartridge.

IMPORTANT:

- If you use the printer in the Non-Genuine mode, the performance of the printer may not be at its optimum. Any problems that may arise from the use of the Non-Genuine mode are not covered by our quality guarantee. The continuous use of the Non-Genuine mode can also cause the printer to break down, and any repair charges for such break down will be incurred by users.

NOTE:

- To disable the Non-Genuine mode, deselect the check box next to **On** on the **Non-Genuine Mode** page on the Printer Setting Utility.

■ Using the Printer Setting Utility

The following procedure uses Windows 7 as an example.

- 1 Click **Start** → **All Programs** → **Fuji Xerox** → **Fuji Xerox Printer Software for Asia-Pacific** → your printer → **Printer Setting Utility**.

NOTE:

- The window to select a printer appears in this step when multiple print drivers are installed on your computer. In this case, click the name of the desired printer listed in **Printer Name**.

The Printer Setting Utility opens.

- 2 Click the **Printer Maintenance** tab.
- 3 Select **Non-Genuine Mode** from the list at the left side of the page.
The **Non-Genuine Mode** page is displayed.
- 4 Select the check box next to **On**, and then click **Apply New Settings**.

Maintenance

- "Cleaning the Printer" on page 141
- "Replacing Toner Cartridges" on page 145
- "Ordering Supplies" on page 150
- "Storing Consumables" on page 151
- "Managing the Printer" on page 152
- "Conserving Supplies" on page 154
- "Checking Page Counts" on page 155
- "Moving the Printer" on page 156

Cleaning the Printer

This section describes how to clean the printer in order to maintain it in good condition and print clean printouts all the time.

⚠ WARNING:

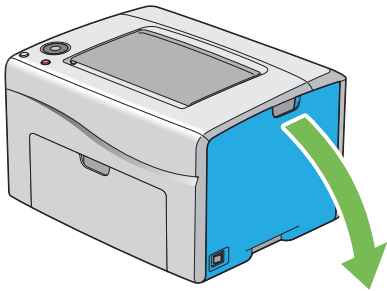
- When cleaning this product, use the designated cleaning materials exclusive to it. Other cleaning materials may result in poor performance of the product. Never use aerosol cleaners to avoid catching fire and explosion.

⚠ CAUTION:

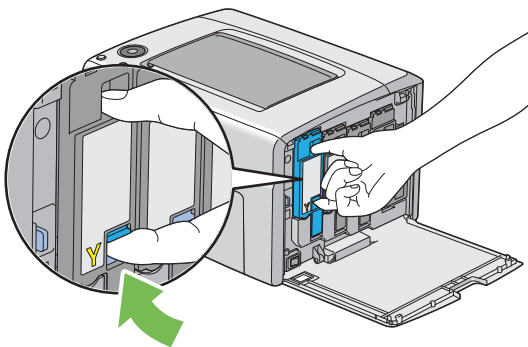
- When cleaning this product, always switch off and unplug it. Access to a live machine interior may cause electric shock.

■ Cleaning Inside the Printer

- 1 Turn off the printer and disconnect the power cord.
- 2 Open the toner access cover.



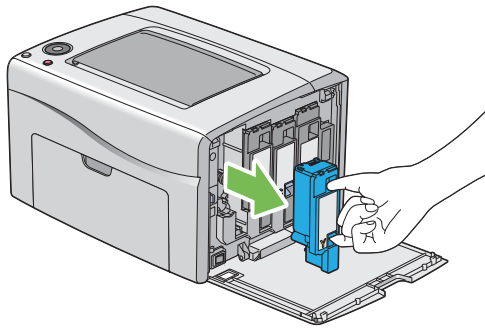
- 3 Pinch the toner cartridge firmly.



4 Pull the toner cartridge out.

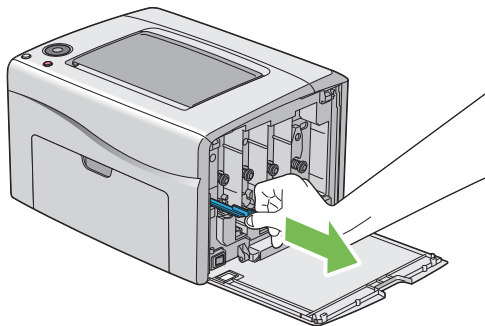
IMPORTANT:

- Always pull the toner cartridge out slowly so you do not spill any toner.

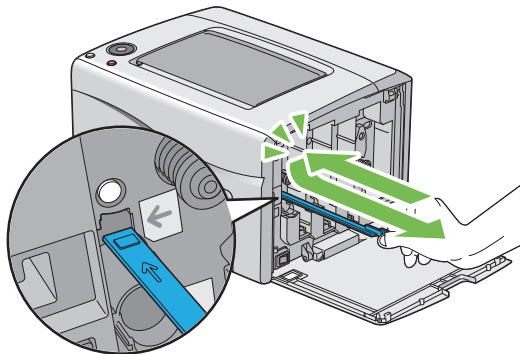


5 Pull the other three toner cartridges out as well.

6 Pull the print head cleaning rod out.

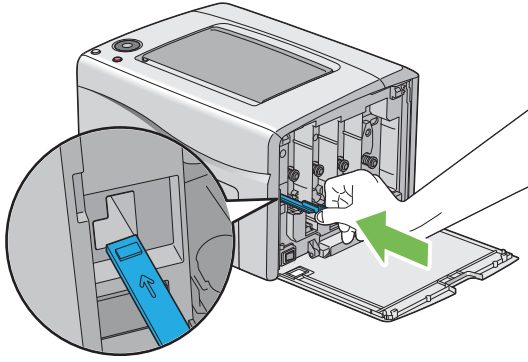


7 Insert the print head cleaning rod fully into the hole beside the arrow on the printer until its tip reaches the interior of the printer as illustrated below, and then pull it out.

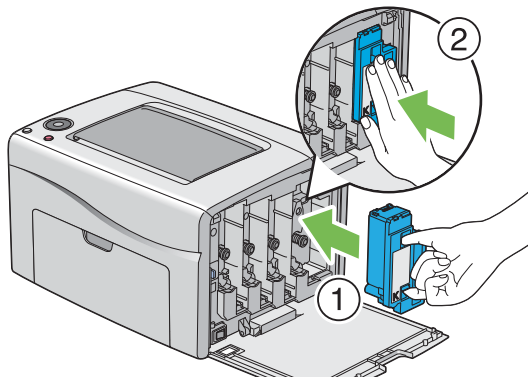


8 Repeat the same procedure for the other three holes.

- 9 Insert the print head cleaning rod back to its original location.

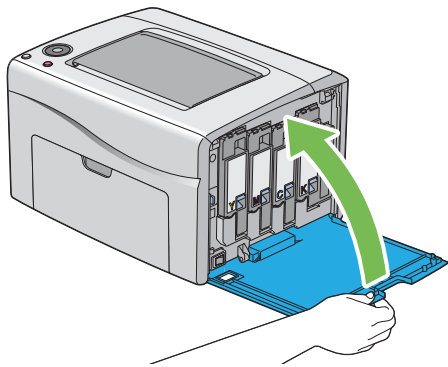


- 10 Replace the black toner cartridge by adjusting it to the associated cartridge holder, and then insert it firmly by pressing near the center of the label until the toner cartridge clicks.



- 11 Replace the other three toner cartridges as well.

- 12 Close the toner access cover.

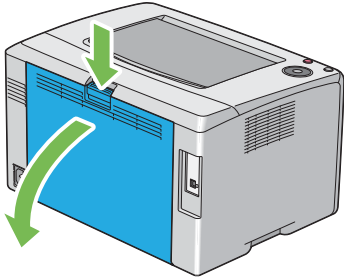


- 13 Connect the power cord and turn on the printer.

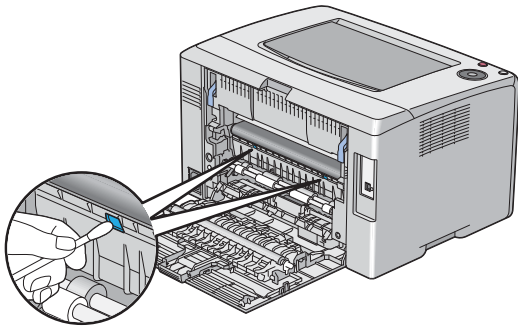
■ Cleaning the Color Toner Density (CTD) Sensor

Clean the CTD sensor only when an alert for the CTD sensor is shown on the **Printer Status** window or operator panel.

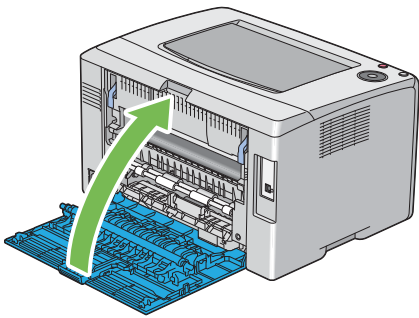
- 1 Turn off the printer and disconnect the power cord.
- 2 Push the rear cover handle and open the rear cover.



- 3 Clean the CTD sensor inside the printer with a clean dry cotton swab.



- 4 Close the rear cover.



- 5 Connect the power cord and turn on the printer.

Replacing Toner Cartridges

Fuji Xerox toner cartridges are available only through Fuji Xerox.

It is recommended that you use Fuji Xerox toner cartridges for your printer. Fuji Xerox does not provide warranty coverage for problems caused by using accessories, parts, or components not supplied by Fuji Xerox.

WARNING:

- **Never use a vacuum cleaner for spilled toner and residual toner in this product, toner cartridge or toner bottle. It may catch fire by electric sparks inside a vacuum cleaner and cause explosion. Use a broom or a wet cloth to wipe off the spills. If you spill a large volume of toner, contact your local Fuji Xerox representative.**
- **Never throw a toner cartridge into an open flame. Remaining toner in the cartridge may catch fire and cause burn injuries or explosion. If you have a used toner cartridge no longer needed, contact your local Fuji Xerox representative for its disposal.**

CAUTION:

- **Keep drum cartridges (or drum if not a cartridge type) and toner cartridges out of the reach of children. If a child accidentally swallows toner, spit it out, rinse mouth with water, drink water and consult a physician immediately.**
- **When replacing drum cartridges (or drum if not a cartridge type) and toner cartridges, be careful not to spill the toner. In case of any toner spills, avoid contact with clothes, skin, eyes and mouth as well as inhalation.**
- **If toner spills onto your skin or clothing, wash it off with soap and water. If you get toner particles in the eyes, wash it out with plenty of water for at least 15 minutes until irritation is gone. Consult a physician if necessary. If you inhale toner particles, move to a fresh air location and rinse your mouth with water. If you swallow toner, spit it out, rinse your mouth with water, drink plenty of water and consult a physician immediately.**

IMPORTANT:


- Do not shake the used toner cartridge to avoid spilling of the toner.
- Be sure to use the starter toner cartridge shipped with the printer until it gets empty, and then replace it with a purchased one.

■ Overview

The printer has toner cartridges of four colors: black (K), yellow (Y), magenta (M), and cyan (C).

When a toner cartridge reaches its usable life-span, the operator panel indicators inform. The following table shows the warning conditions.

Indicator										Printer Status	Action
Toner				Power Saver	Jam	Start	Error	Load Paper	Ready		
Y	M	C	K								
●	—	—	—	—	—	—	—	—	*1	The specified toner cartridge is low.*2	The toner cartridge has become low. Prepare a new one.
—	●	—	—	—	—	—	—	—	*1		
—	—	●	—	—	—	—	—	—	*1		
—	—	—	●	—	—	—	—	—	*1		
☀	—	—	—	—	—	—	—	—	*1	The specified toner cartridge is empty.*3	The toner cartridge has become empty. Replace the old toner cartridge with a new one.
—	☀	—	—	—	—	—	—	—	*1		
—	—	☀	—	—	—	—	—	—	*1		

*1 The  (Ready) indicator blinks or lights up green depending on the printer status.

*2 This warning appears only when Fuji Xerox toner cartridges are used (Non-Genuine Mode is set to off at the Printer Setting Utility.)

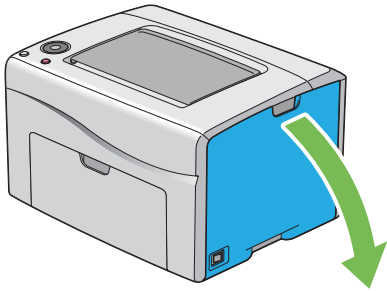
*3 In this case, you can continue printing in black and white.

IMPORTANT:

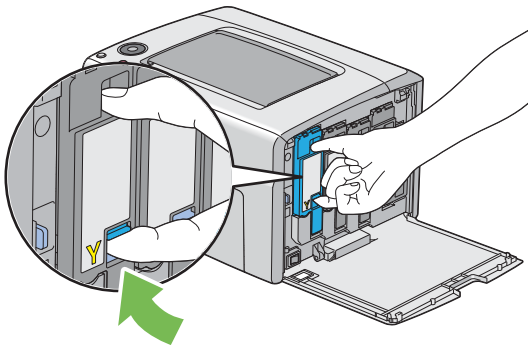
- When placing a used toner cartridge on the floor or on a table, place a few sheets of paper under the toner cartridge to catch any toner that may spill.
- Do not reuse old toner cartridges once you remove them from the printer. Doing so can impair print quality.
- Do not shake or pound the used toner cartridges. The remaining toner may spill.
- We recommend you to use up the toner cartridges within one year after removing them from the packaging.

■ Removing the Toner Cartridges

- 1 Turn off the printer.
- 2 Open the toner access cover.



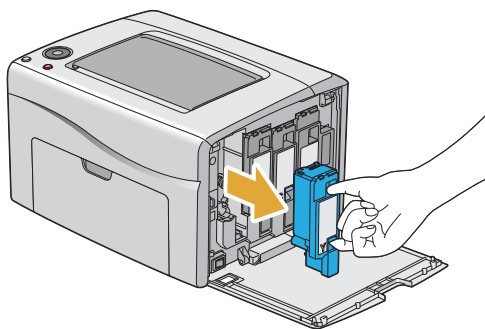
- 3 Spread a few sheets of paper on the floor or table where the removed toner cartridge is to be placed.
- 4 Pinch the toner cartridge firmly.



- 5 Pull the toner cartridge out.

IMPORTANT:

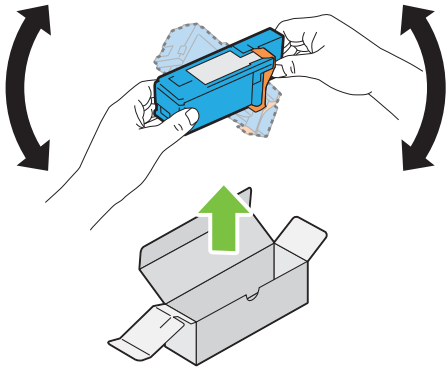
- Always pull the toner cartridge out slowly so you do not spill any toner.



- 6 Place the toner cartridge slowly on the sheets of paper spread in step 3.

■ Installing a Toner Cartridge

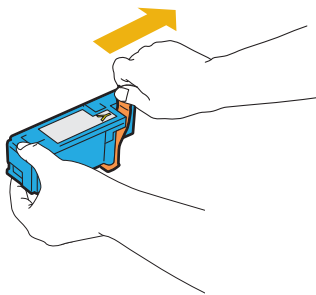
- 1 Unpack a new toner cartridge of the desired color and shake it five to six times to distribute the toner evenly.



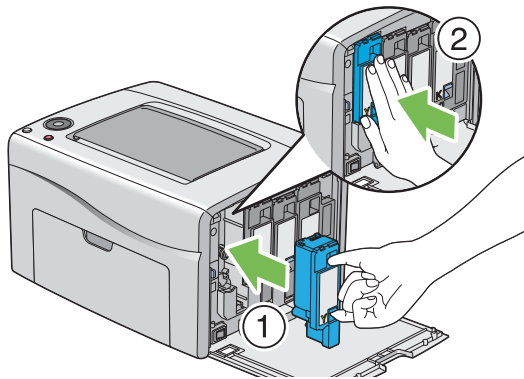
NOTE:

- Confirm that the color of the new toner cartridge matches that on the handle before replacing it.
- Handle the toner cartridge carefully to avoid spilling of the toner.

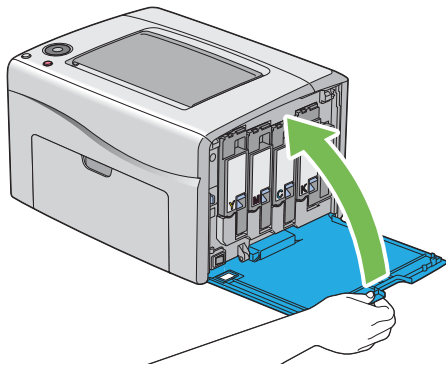
- 2 Remove the tape from the toner cartridge.



- 3 Adjust the toner cartridge to the associated cartridge holder, and then insert it firmly by pressing near the center of the label until the toner cartridge clicks.



- 4 Close the toner access cover.



- 5 Turn on the printer.
- 6 Pack the removed toner cartridge in the box in which the installed toner cartridge was packed up.
- 7 Take care not to contact with the spilled toner and remove the sheets of paper spread under the removed toner cartridge.

Ordering Supplies

The toner cartridges need to be ordered occasionally. Each toner cartridge includes installation instructions on the box.

■ Consumables

IMPORTANT:

- Use of consumables not recommended by Fuji Xerox can impair machine quality and performance. Use only consumables recommended by Fuji Xerox.

Product Name	Product Code	Printable number of pages
Toner Cartridge [Black] High capacity	CT202264	Approx. 2000 pages
Toner Cartridge [Yellow] Standard capacity	CT202270	Approx. 700 pages
Toner Cartridge [Yellow] High capacity	CT202267	Approx. 1400 pages
Toner Cartridge [Magenta] Standard capacity	CT202269	Approx. 700 pages
Toner Cartridge [Magenta] High capacity	CT202266	Approx. 1400 pages
Toner Cartridge [Cyan] Standard capacity	CT202268	Approx. 700 pages
Toner Cartridge [Cyan] High capacity	CT202265	Approx. 1400 pages

- Average standard pages. Declared yield in accordance with ISO/IEC 19798 and ISO/IEC 24712. These values are estimates and vary depending on conditions such as the content being printed, paper size, paper type, the machine's operating environment, initializing process performed when you turn on or off the printer, and adjustments to maintain print quality.

NOTE:

- The printable number of pages for the starter toner cartridges shipped with the printer are approximately 500 pages for black, yellow, magenta, and cyan toner cartridges.
- Each toner cartridge includes installation instructions on the box.

■ When to Order Toner Cartridges

The operator panel indicators inform a warning when the toner cartridge nears its replacement time. Verify that you have replacements on hand. It is important to order a toner cartridge when the indicators lighting up which inform you to replace the toner cartridge, first appear to avoid interruptions to your printing.

To order toner cartridges, contact the Fuji Xerox local representative office or an authorized dealer.

IMPORTANT:

- This printer is designed to provide the most stable performance and print quality when used with the recommended toner cartridges. Not using toner cartridges recommended for this machine degrades the performance and printing quality of the printer. You could also incur charges if the machine breaks down. To receive customer support and achieve the optimum performance of the printer, be sure to use recommended toner cartridges.

■ Recycling Supplies

- For environmental protection and efficient use of resources, Fuji Xerox reuses returned toner cartridges and drums (photoreceptors) to make recycle parts, recycle materials or energy recovery.
- Proper disposal is required for toner cartridges no longer needed. Do not open toner cartridges. Return them to your local Fuji Xerox representative.

Storing Consumables

Store consumables in their original packaging until you need to use them. Do not store consumables in:

- Temperatures greater than 40°C (104°F).
- An environment with extreme changes in humidity or temperature.
- Direct sunlight.
- Dusty places.
- A car for a long period of time.
- An environment where corrosive gases are present.
- An environment with salty air.

Managing the Printer

■ Checking or Managing the Printer With the CentreWare Internet Services

When the printer is installed in a TCP/IP environment, you can check printer status and configure settings using a web browser on a network computer. You can also use the CentreWare Internet Services to check the remaining volume of consumables and the paper loaded in this printer.

NOTE:

- When using the printer as a local printer, you cannot use the CentreWare Internet Services. For details about checking the status of a local printer, see "Checking Printer Status With the SimpleMonitor (Windows Only)" on page 152.

Starting the CentreWare Internet Services

Use the following procedure to start the CentreWare Internet Services.

- 1 Launch your web browser.
- 2 Enter the IP address of the printer in the address bar.
The CentreWare Internet Services page appears.

• Using Online Help

For details regarding the items that can be set in each CentreWare Internet Services screen, click **Help** to display the online Help.

■ Checking Printer Status With the SimpleMonitor (Windows Only)

The SimpleMonitor is a tool that is installed with your print driver. It automatically checks the printer status when you send a print job. The SimpleMonitor can also check the status of the paper tray and remaining amount of toner cartridges.

Starting the SimpleMonitor

Double-click the SimpleMonitor icon on the taskbar or right-click the icon and select **Printer Selection**.

If the SimpleMonitor icon is not displayed on the taskbar, open the SimpleMonitor from the **Start** menu.

The following procedure uses Microsoft® Windows® 7 as an example.

- 1 Click **Start** → **All Programs** → **Fuji Xerox** → **Fuji Xerox Printer Software for Asia-Pacific** → your printer → **SimpleMonitor-Ctype for Asia-Pacific**.
The window to select a printer appears.
- 2 Click the name of the desired printer from the list.
The **Printer Status** window appears.

For details about the functions of the SimpleMonitor, refer to the Help.

See also:

- "SimpleMonitor (Windows Only)" on page 24

■ Checking Printer Status Through E-mail

When connected in a network environment where sending and receiving of e-mail is possible, the printer can send an e-mail report to specified e-mail addresses containing the following information:

- The network settings and the printer status
- The error status which has occurred on the printer

Setting the E-mail Environment

Activate the CentreWare Internet Services. On the **Properties** tab, configure the following settings according to your e-mail environment. After configuring the settings on each screen, always click **Apply** and then turn off/on the printer to reboot. For details about each item, refer to the online Help for the CentreWare Internet Services.

Item	Item to be configured	Description
General Setup > StatusMessenger	Recipient's E-mail Address 1	Set the e-mail address to which notices about changes in printer status or errors are sent.
	Recipient's E-mail Address 2	
	Notification Items	Set the contents of the notices to send in the e-mail.
Port Status	StatusMessenger	Select the Enabled check box.
Protocol Settings > E-mail	SMTP Server Settings	Select appropriate settings for sending and receiving e-mail.
	<ul style="list-style-type: none"> • Machine's E-mail Address • SMTP Server Address • SMTP Server Port Number 	
	Send Authentication	
	<ul style="list-style-type: none"> • E-Mail Send Authentication • Login Name • Password • Re-enter Password 	
	POP3 Server Settings	
	<ul style="list-style-type: none"> • POP3 Server Address • POP3 Server Port Number • Login Name • Password • Re-enter Password 	

Conserving Supplies

You can change several settings in your print driver to conserve toner cartridge and paper.

Supply	Setting	Function
Toner cartridge	Windows print driver: Toner Saving Mode in the Graphics tab Mac OS X print driver: Toner Saving Mode in the Image Options pane	This feature allows the users to select a print mode that uses less toner. When this feature is used, the image quality will be lower than when it is not used.
Print media	Windows print driver: Multiple Up in the Layout tab Mac OS X print driver: Pages per Sheet in the Layout pane	The printer prints two or more pages on one side of a sheet. The available numbers that each print driver can print one sheet of paper are as follows: <ul style="list-style-type: none">• Windows print driver: 2, 4, 8, or 16 pages Combined with the duplex setting, Multiple Up allows you to print up to 32 pages on one sheet of paper. (16 images on the front and 16 on the back) <ul style="list-style-type: none">• Mac OS X print driver: 2, 4, 6, 9 or 16 pages Combined with the duplex setting, Pages per Sheet allows you to print up to 32 pages on one sheet of paper. (16 images on the front and 16 on the back)

Checking Page Counts

The total number of printed pages can be checked at the Printer Setting Utility. Four meters are available:

Meter 1	Displays the total number of color prints.
Meter 2	Displays the total number of monochrome prints.
Meter 3	Displays the total number of large size color prints.
Meter 4	Displays the total number of color and monochrome prints (Meter 1 + Meter 2).

The **Meter Readings** counts the number of pages printed properly. Single side color print (including Multiple-Up) is counted as one job, and 2-sided print (including Multiple-Up) is counted as two. During 2-sided printing, if an error occurs after one side is printed properly, it is counted as one.

When printing color data, which has been converted by using ICC profile on an application, with the Color setting, the data is printed by color even if it seems to be black and white data on the monitor. In that case, **Meter 1** and **Meter 4** are increased.

When doing 2-sided printing, a blank page may be inserted automatically depending on the settings of the application. In this case, the blank page is counted as one page. However, when doing 2-sided printing for odd number of pages, the blank page inserted to the back side of the last odd page is not counted.

The following procedure uses Windows 7 as an example.

To check a meter at the Printer Setting Utility:

- 1 Click **Start** → **All Programs** → **Fuji Xerox** → **Fuji Xerox Printer Software for Asia-Pacific** → your printer → **Printer Setting Utility**.

NOTE:

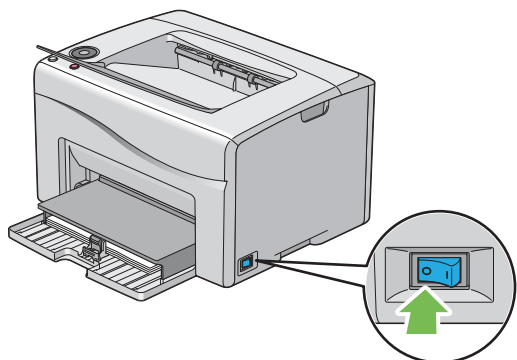
- The window to select a printer appears in this step, when multiple print drivers are installed on your computer. In this case, click the name of the desired printer listed in **Printer Name**.

The Printer Setting Utility appears.

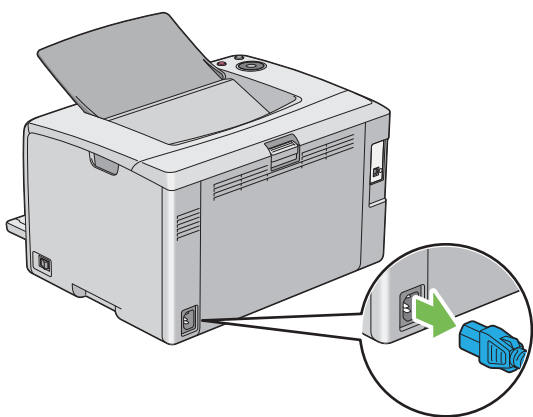
- 2 Click the **Printer Settings Report** tab.
- 3 Select **Menu Settings** from the list at the left side of the page.
The **Menu Settings** page is displayed.
- 4 Check the number of pages under **Meter Readings**.

Moving the Printer

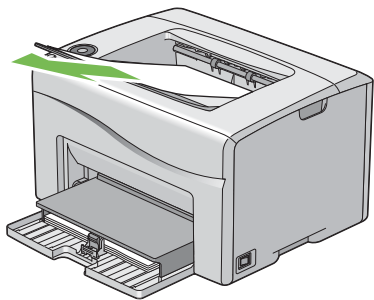
- 1 Turn off the printer.



- 2 Disconnect the power cord and USB cable.

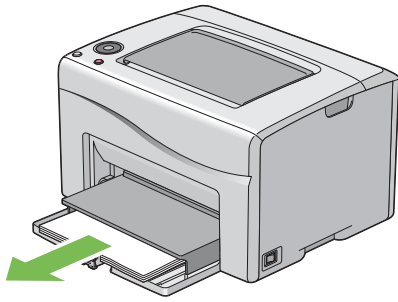


- 3 Remove any paper in the center output tray if there is.

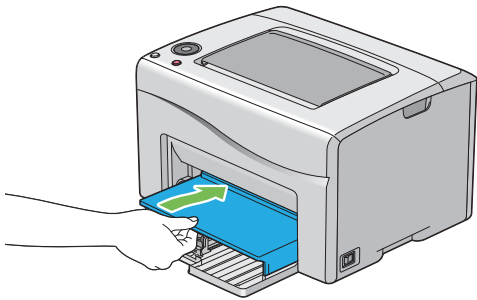


- 4 Close the output tray extension if it is opened.

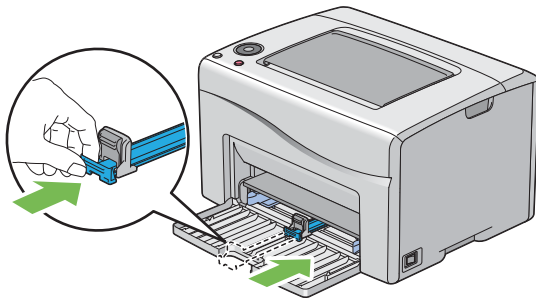
- 5** Remove any paper in the multipurpose feeder.
Keep the paper wrapped and away from humidity and dirt.



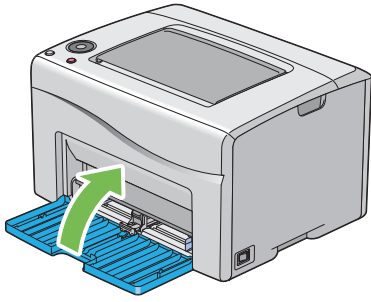
- 6** Push the paper cover in.



- 7** Slide the slide bar backward until it stops.



8 Close the front cover.



9 Lift the printer and move it gently.



10 Adjust the color registration before using your printer.

See also:

- "Adjusting Color Registration" on page 130

Contacting Fuji Xerox

- "Technical Support" on page 160
- "Online Services" on page 161

Technical Support

Fuji Xerox recommends the Customer first utilize support materials shipped with the product, product diagnostics, information contained on the Web, and e-mail support. If unsuccessful, to obtain service under product warranty the Customer must notify Fuji Xerox Telephone Support or its authorized service representative of the defect before the expiration of the warranty period. Customer will provide appropriate assistance to Telephone Support personnel to resolve issues, such as restoration of the operating system, software program and drivers to their default configuration and settings, verification of functionality of Fuji Xerox supplied products, replacement of customer replaceable units, clearing paper misfeeds and cleaning the unit and other prescribed routine and preventative maintenance.

If the Customer's product contains features that enable Fuji Xerox or its authorized service representative to diagnose and repair problems with the product remotely, Fuji Xerox may request that the Customer allow such remote access to the product.

Online Services

You can find detail Product and Consumable warranty information on our website at <http://www.fujixeroxprinters.com/>

Fuji Xerox Online Support Assistant provides instructions and troubleshooting guides to resolve your printer problems. It is an easy-to-use, searchable online help. To find out more, please visit our online support at <http://www.fujixeroxprinters.com/>

Index

A		I	
Adjusting color registration	130	Initialize NVM	104
AirPrint	94	Installing a toner cartridge	148
Alerts		Installing print driver	
SimpleMonitor	138	Linux	64
Avoiding jams	111	Mac OS X	59
		Windows	37
B		J	
Basic printer problems	119	Jam	118
		Jam indicator	16
C		Job History	95
Canceling a print job	82		
From Mac OS X	83	L	
From operator panel	82	Launcher	25
From Windows	83	Length guide	15
Center output tray	15, 112	Levers	15, 112
CentreWare Internet Services		Load paper indicator	16
Managing printer	152	Loading envelope	76
Online help for	152	Loading letterhead	78
Starting	152	Loading print media	
Checking printed pages		In multipurpose feeder	72
How to check the meter	155		
Clearing paper jams	111	M	
From center output tray	116	Main components	15
From front of the printer	113	Managing printer	152
From rear of the printer	114	Manual duplex printing	78
Color registration chart	130	Meters	
Connecting printer	30	Total page counts	155
Connection specifications	30	Mottle	124
Connection type	30	Moving printer	156
Conserving supplies	154	Multipurpose feeder	15, 72, 112
Consumables	150		
Contacting service	137	O	
CTD sensor	144	Operator panel	15
		Operator panel lights	98
D		Ordering toner cartridges	150
Demo Page	95	Output tray extension	15, 81
Determining values	131		
Digital Certificate	106	P	
Digital certificate problems	135	Pages per Sheet	154
		Paper chute	15
E		Paper Cover	15, 112
Entering values	132	Paper feed roller	15
Error and warning messages	138	Paper jam location	112
Error History	95	Paper width guides	15, 74
Error indicator	16	Parts name	15
		Peer-to-peer	55
F		Point and Print	52
Front cover	15, 112	Power connector	15
		Power Saver indicator	16
G		Power saver mode	19
Getting help	138	Power switch	15
SimpleMonitor alerts	138	Print driver installing	
		Linux	64
H		Mac OS X	59
How to check the meter	155	Windows	37

Print driver pre-install status	37	Wi-Fi Direct	89
Print head cleaning rod	15	Wi-Fi Direct LED	16
Print media	154	Wi-Fi LED	16
Dimensions	71	Wireless problems	133
Print quality problems	121	WPS button	16
Printer		WSD (Web Services on Devices) printer setup	49
Managing	152		
Moving	156		
Printer connection and software installation	27		
Printer software	20		
Printer status			
StatusMessenger	152		
Printing	82		
Custom paper	87		
With Mac OS X print driver	88		
With Windows print driver	88		
Printing basics	67		
Printing problems	120		
Product features	10		

R

Ready indicator	16
Rear cover	15, 112
Rear cover handle	15
Recycling supplies	150
Removing toner cartridges	147
Report page	95
Resetting to factory defaults	104

S

Sending print job	
Mac OS X	82
Windows	82
Setting print driver for conserving supplies	154
Setting up for Web Services on Devices (WSD)	48
Setup Disk Creation Tool	26
SimpleMonitor alerts	138
Slide bar	15
Specifications	11
Start button	16
Status of Wi-Fi LED	17
StatusMessenger	
Checking printer status	152
Configuring	153
Stop button	16
Storing consumables	151
System Settings	95

T

Toner access cover	15
Toner cartridge	154
Toner indicator	16
Transfer belt	15, 112
Transfer roller	15

U

USB port	15, 30
----------------	--------

W

Warning and error messages	138
When to order toner cartridges	150

DocuPrint CP116 w / DocuPrint CP115 w

User Guide

ME6910E2-1 (Edition 1)

July, 2014

Fuji Xerox Co., Ltd.

Copyright© 2014 by Fuji Xerox Co., Ltd.

Free Manuals Download Website

<http://myh66.com>

<http://usermanuals.us>

<http://www.somanuals.com>

<http://www.4manuals.cc>

<http://www.manual-lib.com>

<http://www.404manual.com>

<http://www.luxmanual.com>

<http://aubethermostatmanual.com>

Golf course search by state

<http://golfingnear.com>

Email search by domain

<http://emailbydomain.com>

Auto manuals search

<http://auto.somanuals.com>

TV manuals search

<http://tv.somanuals.com>