

DocuPrint CP105 b



User Guide

Contents

Preface	5
Trademarks and Document Disclaimer	6
Types of Manuals	7
Using This Guide	8
Organization	9
Conventions	10
Safety Notes	11
Electrical Safety	12
Machine Installation	14
Operational Safety	16
Consumable	18
Warning and Caution Labels	19
Environment	20
Regulation	21
Radio Frequency Emissions (Class B)	21
Product Safety Certification (CB)	21
Illegal Copies and Printouts	22
Product Features	23
1 Specifications	25
2 Basic Operation	29
Main Components	30
Front View	31
Rear View	32
Operator Panel	33
Turning On the Printer	35
Printing a Panel Settings Page	36
The Operator Panel	37
The Printer Setting Utility	38
Power Saver Mode	39
Setting the Time for the Power Saver Mode	40
Exiting the Power Saver Mode	41
3 Printer Management Software	43
Print Driver	44
Printer Setting Utility (Windows Only)	45
SimpleMonitor (Windows Only)	46
Launcher (Windows Only)	47
User Setup Disk Creating Tool (Windows Only)	48
Status Monitor Widget (Mac OS X Only)	49

4	Installing the Print Driver.....	51
	Connecting Your Printer	52
	Connecting Printer to Computer	53
	Installing Print Driver on Computers Running Windows.....	55
	Inserting the Software Pack CD-ROM	56
	USB Connection Setup.....	57
	Installing Print Driver on Computers Running Mac OS X.....	58
	Installing the Driver	59
	Installing the Software	60
5	Printing Basics	63
	About Print Media	64
	Print Media Usage Guidelines	65
	Print Media That Can Damage Your Printer	66
	Print Media Storage Guidelines	67
	Supported Print Media.....	68
	Usable Print Media	69
	Loading Print Media.....	72
	Capacity	73
	Print Media Dimensions.....	74
	Loading Print Media in the Multipurpose Feeder (MPF)	75
	Manual Duplex Printing (Windows Print Driver Only)	84
	Using the Output Tray Extension	87
	Printing	88
	Sending a Job to Print	89
	Canceling a Print Job.....	90
	Selecting Printing Options	91
	Printing Custom Size Paper.....	96
	Checking Status of Print Data.....	98
	Printing a Report Page	99
	Printer Settings	100
6	Using the Operator Panel	101
	Resetting to Factory Defaults	102
	Understanding the Operator Panel Lights	103
	Common Light Sequences	104
	Warnings.....	105
	Operator Call Errors.....	106
	Secondary light sequences.....	107
	Fatal Errors	108
	Firmware Errors	109
7	Troubleshooting	111
	Clearing Jams.....	112
	Avoiding Jams	113

Identifying the Location of Paper Jams.....	114
Clearing Paper Jams From the Front of the Printer.....	115
Clearing Paper Jams From the Back of the Printer.....	116
Clearing Paper Jams From the Center Output Tray.....	118
Jam Problems.....	120
Basic Printer Problems.....	121
Display Problems.....	122
Printing Problems.....	123
Print Quality Problems.....	124
The Output Is Too Light.....	125
Toner Smears or Print Comes Off/Stain on Back Side.....	126
Random Spots/Blurred Images.....	127
The Entire Output Is Blank.....	128
Streaks Appear on the Output.....	129
Pitched Color Dots.....	130
Vertical Blanks.....	131
Mottle.....	132
Ghosting.....	133
Fog.....	134
Bead-Carry-Out (BCO).....	135
Auger Mark.....	136
Wrinkled/Stained Paper.....	137
The Top Margin Is Incorrect.....	138
Color Registration Is out of Alignment.....	139
Protrudent/Bumpy Paper.....	140
Adjusting Color Registration.....	141
Performing Auto Correct.....	142
Printing the Color Registration Chart.....	143
Determining Values.....	144
Entering Values.....	145
Noise.....	146
Other Problems.....	147
Contacting Service.....	148
Getting Help.....	149
Operator Panel Lights.....	150
SimpleMonitor Alerts.....	151
Obtaining the Product Information.....	152
Non Genuine Toner Mode.....	153
The Printer Setting Utility.....	154
8 Maintenance.....	155
Cleaning the Printer.....	156
Cleaning Inside the Printer.....	157
Cleaning the Color Toner Density (CTD) Sensor.....	160
Replacing Toner Cartridges.....	161
Overview.....	162

Removing the Toner Cartridges.....	163
Installing a Toner Cartridge	164
Ordering Supplies.....	166
Consumables.....	167
When to Order Toner Cartridges	168
Recycling Supplies	169
Storing Consumables	170
Managing the Printer	171
Checking Printer Status with SimpleMonitor (Windows Only)	172
Conserving Supplies.....	173
Checking Page Counts (Windows Only)	174
Moving the Printer	175
Contacting Fuji Xerox	179
Technical Support.....	180
Online Services	181

Preface

Thank you for purchasing the DocuPrint CP105 b.

This guide is intended for users who use the printer for the first time, and provides all the necessary operating information about the printer function.

Please read this guide to achieve the best performance from this printer.

This guide assumes you are familiar with computers.

After reading this guide, keep it safe and handy for future reference.

DocuPrint CP105 b User Guide Help

Copyright© 2010 by Fuji Xerox Co., Ltd.

Fuji Xerox Co., Ltd.

October 2010 (Edition 1)


No. ME5046E2-1

Trademarks and Document Disclaimer

Apple®, Bonjour®, ColorSync®, Macintosh®, and Mac OS® are trademarks of Apple Inc. in the United States and/or other countries.

Microsoft®, Windows Vista®, Windows®, and Windows Server® are trademarks of Microsoft Corporation in the United States and/or other countries.

All product/brand names are trademarks or registered trademarks of the respective holders.

In this manual, safety instructions are preceded by the symbol . Always read and follow the instructions before performing the required procedures.

It may be a legal offence to print currency notes, certificates of stocks and securities, or any other documents of similar nature, regardless of whether they will be used.

IMPORTANT:

1. This manual is copyrighted with all rights reserved. Under the copyright laws, this manual may not be copied or modified in whole or part, without the written consent of the publisher.
2. Parts of this manual are subject to change without prior notice.
3. We welcome any comments on ambiguities, errors, omissions, or missing pages.
4. Never attempt any procedure on the machine that is not specifically described in this manual. Unauthorized operation can cause faults or accidents. Fuji Xerox is not liable for any problems resulting from unauthorized operation of the equipment.
5. Decompiling this manual is prohibited.

An export of this product is strictly controlled in accordance with Laws concerning Foreign Exchange and Foreign Trade of Japan and/or the export control regulations of the United States.

XEROX, the sphere of connectivity design, and DocuPrint are trademarks or registered trademarks of Xerox Corporation in the U.S. or Fuji Xerox Co., Ltd.

DocuWorks is a trademark of Fuji Xerox Co., Ltd.

All Xerox and Fuji Xerox product names are either registered trademarks or trademarks of Xerox Corporation or Fuji Xerox Co., Ltd.

Types of Manuals

Safety Guide	Describes the information you need to know before using the printer and to operate the printer safely.
Setup Guide	Provides step-by-step instructions on how to set up your printer.
User Guide (HTML files) (this guide)	Describes how to get ready to print and set various features. It also covers the operator panel indicators, troubleshooting tips, and maintenance information. This guide is on the <i>Software Pack CD-ROM</i> .
Operator Panel Guide	Describes the icons assigned to the buttons or indicators on the operator panel.

Using This Guide

This section includes:

- ["Organization" on page 9](#)
- ["Conventions" on page 10](#)

■ Organization

This guide is organized into the following chapters. The summary of each chapter is as follows:

1 Specifications	Describes the printer specifications.
2 Basic Operation	Describes the main components of the printer, the power saver mode, and how to turn on the printer.
3 Printer Management Software	Describes the software available for the printer.
4 Installing the Print Driver	Describes the basic information about how to connect the printer to your computer and how to install the print driver.
5 Printing Basics	Describes the supported paper, how to load paper, and how to print data using various print features.
6 Using the Operator Panel	Describes the indicators on the operator panel.
7 Troubleshooting	Describes the troubleshooting tips for printer problems such as paper jams.
8 Maintenance	Describes how to clean the printer, how to replace toner cartridges, and how to see the printer status.
9 Contacting Fuji Xerox	Describes support information.

■ Conventions

1 In this guide, personal computers and workstations are collectively called “computers”.

2 The following terms are used throughout this guide:

IMPORTANT:

- Important information that must be read and followed.



NOTE:



- Additional information that merits emphasis.

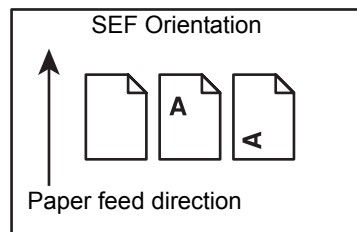
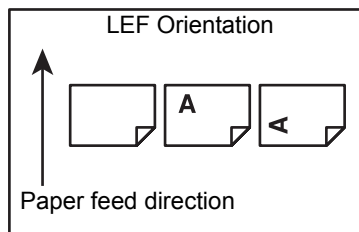
See also:

- References within this guide.

3 Orientation of documents or paper is described in this guide as follows:

 , Long Edge Feed (LEF): Loading the document or paper in portrait orientation.


 , Short Edge Feed (SEF): Loading the document or paper in landscape orientation.



Safety Notes


























































Before using this product, read “Safety Notes” carefully for safety use.

This product and recommended supplies have been tested and found to comply with strict safety requirements including safety agency approvals and compliance with environmental standards. Follow the following instructions for safety use.

 **WARNING:**

- Any unauthorized alteration including an addition of new functions or connection to external devices may not be covered by the product warranty. Contact your local Fuji Xerox representative for more information.

Follow all warning instructions marked on this product. The warning marks stand for the followings:

 DANGER	Used for item that if not followed strictly, can lead death or severe or fatal injuries and the possibility to do it is comparatively high.														
 WARNING	Used for items that if not followed strictly, can lead to severe or fatal injuries.														
 CAUTION	Used for items that if not followed strictly, can cause injuries to user or damages to machine.														
<p> : A symbol for items to pay attention to when handling machine. Follow instructions carefully to use machine safely.</p>															
<table style="width: 100%; text-align: center;"> <tr> <td></td> <td></td> <td></td> <td></td> <td></td> <td></td> <td></td> </tr> <tr> <td>Caution</td> <td>Flammable</td> <td>Explosive</td> <td>Electric shock</td> <td>Heated surface</td> <td>Moving object</td> <td>Pinched fingers</td> </tr> </table>									Caution	Flammable	Explosive	Electric shock	Heated surface	Moving object	Pinched fingers
															
Caution	Flammable	Explosive	Electric shock	Heated surface	Moving object	Pinched fingers									
<p> : A symbol for prohibited items. Follow instructions carefully to avoid any dangerous acts.</p>															
<table style="width: 100%; text-align: center;"> <tr> <td></td> <td></td> <td></td> <td></td> <td></td> <td></td> <td></td> </tr> <tr> <td>Prohibited</td> <td>No fire</td> <td>Do not touch</td> <td>Do not use in bathroom</td> <td>Do not tear down</td> <td>Keep away from wet</td> <td>Never touch with wet hand</td> </tr> </table>									Prohibited	No fire	Do not touch	Do not use in bathroom	Do not tear down	Keep away from wet	Never touch with wet hand
															
Prohibited	No fire	Do not touch	Do not use in bathroom	Do not tear down	Keep away from wet	Never touch with wet hand									
<p> : A symbol for items that must be performed. Follow instructions carefully to carry out these essential tasks.</p>															
<table style="width: 100%; text-align: center;"> <tr> <td></td> <td></td> <td></td> </tr> <tr> <td>Instructions</td> <td>Unplug</td> <td>Ground/Earth</td> </tr> </table>					Instructions	Unplug	Ground/Earth								
															
Instructions	Unplug	Ground/Earth													

■ Electrical Safety

WARNING

This product shall be operated by the power source as indicated on the product's data plate. Consult your local power company to check if your power source meets the requirements.



WARNING:

- **Connect this product to a protective earth circuit.**

This product is supplied with a plug that has a protective earth pin. The plug fits only into an earthed electrical outlet. This is a safety feature. If the plug doesn't fit to the outlet, contact an electrician to replace the outlet to avoid risk of electric shock. Never use an earthed adapter plug to connect the product to the electrical outlet that has no earth connection terminal.

Improper connection of a grounding conductor may cause electric shock.



Plug the power cord directly into a grounded electrical outlet. To prevent overheat and a fire accident, do not use an extension cord, a multi-plug adaptor or a multiple connector. Consult your local Fuji Xerox representative to check if an outlet is grounded.



Connect this product to a branch circuit or an outlet that has larger capacity than the rated ampere and voltage of this product. See the data plate on the rear panel of this product for its rated ampere and voltage.



Never touch the power cord with wet hands. It may cause electric shock.



Do not place an object on the power cord.



Always keep the plug connection free of dust. The dusty and damp environment may bring about minute electric current in a connector. It may generate heat and eventually cause a fire accident.



To avoid the risk of electric shock and a fire accident, only use the power cord supplied with this product or the ones designated by Fuji Xerox.

The power cord is exclusive use for this product. Do not use it for any other product.

Do not damage or alter the power cord. Damage and alteration may generate heat and eventually cause electric shock or a fire accident.

If the power cord is damaged or insulated wires are exposed, contact your local Fuji Xerox representative for its replacement. Do not use a damaged or uninsulated cord to avoid the risk of electric shock and a fire accident.

CAUTION



When cleaning this product, always switch off and unplug it. Access to a live machine interior may cause electric shock.



Do not unplug or re-plug this product with the switch on. Plugging and unplugging a live connector may deform the plug and generate heat, and eventually cause a fire accident.



Hold the plug not the cord when unplugging this product, or it may damage the cord and cause electric shock or a fire accident.



Always switch off and unplug the machine when it is not used over weekends or long holidays. It may cause deterioration of insulations and eventually electric shock or a fire accident.



Once a month, switch off this product and check if

- the power cord is plugged firmly into an electrical outlet;
- the plug is not excessively heated, rusted or bent;
- the plug and electrical outlet are free of dust; and
- the power cord is not cracked or worn down.

Once you notice any unusual condition, switch off and unplug this product first and contact your local Fuji Xerox representative.

■ Machine Installation

⚠ WARNING



Do not locate this product where people might step on or trip over the power cord. Friction or excessive pressure may generate heat and eventually cause electric shock or a fire accident.

⚠ CAUTION



Never locate this product in the following places:

- Near radiators or any other heat sources
- Near volatile flammable materials such as curtains
- In the hot, humid, dusty or poorly ventilated environment
- In the place receiving direct sunlight
- Near cookers or humidifiers

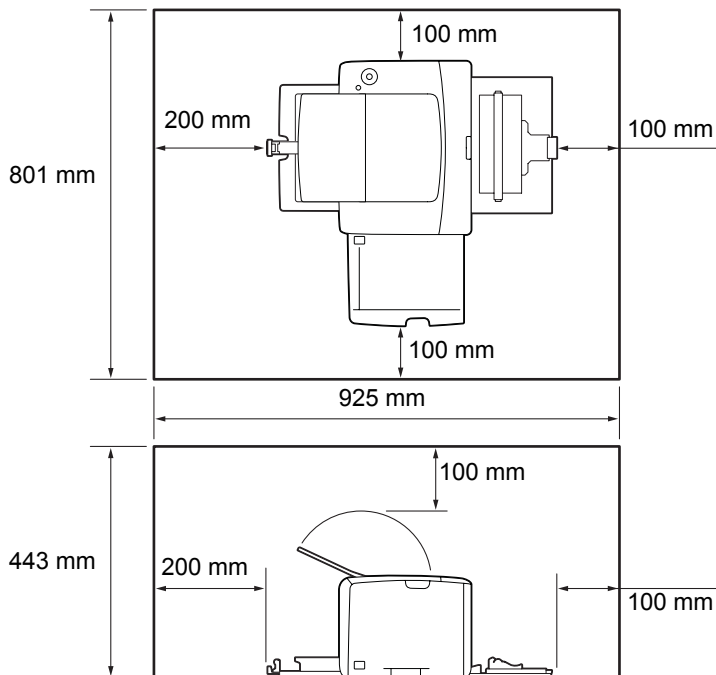


Locate this product on a level and sturdy surface that can withstand a weight of 10.55 Kg. Otherwise, if tilted, the product may fall over and cause injuries.



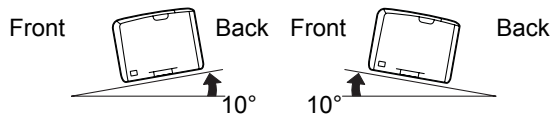
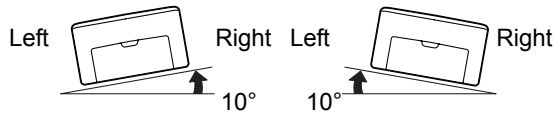
Locate this product in a well-ventilated area. Do not obstruct ventilation openings of the product.

Keep the minimum clearance as follows for ventilation and an access to the power plug. Unplug the product if an abnormal condition is noted.





Do not incline the product at more than 10 degree angle. Otherwise, it may fall over and cause injuries.



To bundle wires and cables, always use the cable ties and spiral tubes that Fuji Xerox supplies. Otherwise, it may cause some defects.

Others



To keep this product in a good performance and condition, always use it in the following environment:

- Temperature: 10 – 32 °C
- Humidity: 10 – 85%

When the product is left in a chilly room and the room is rapidly warmed up by heater, dew condensation may form inside the product and cause a partial deletion on printing.

■ Operational Safety

WARNING



The operator's product maintenance procedures are described in the customer documentation supplied with this product. Do not carry out any other maintenance procedures not described in the documentation.



This product features safety design not to allow operators access to hazard areas. The hazard areas are isolated from operators by covers or protectors which require a tool to remove. To prevent electric shock and injuries, never remove those covers and protectors.



To avoid the risk of electric shock and a fire accident, switch off and unplug the product promptly in the following conditions, then contact your local Fuji Xerox representative.

- The product emits smoke or its surface is unusually hot.
- The product emits unusual noise or odor.
- The power cord is cracked or worn down.
- A circuit breaker, fuse or any other safety device is activated.
- Any liquid is spilled into the product.
- The product is soaked in water.
- Any part of the product is damaged.



Do not insert any object into slots or openings of this product.
Do not place any of the followings on the product:

- Liquid container such as flower vases or coffee cups
- Metal parts such as staples or clips
- Heavy objects

If liquid is spilled over or metal parts are slipped into the product, it may cause electric shock or a fire accident.



Do not use conductive paper such as origami paper, carbonic paper or conductively-coated paper. When paper jam occurs, it may cause short-circuit and eventually a fire accident.



When cleaning this product, use the designated cleaning materials exclusive to it. Other cleaning materials may result in poor performance of the product. Never use aerosol cleaners, or it may catch fire and cause explosion.



Never play the CD-ROM supplied with the product on an audio player. Always use a CD-ROM player. Otherwise, large sound may damage audio players or your ears.

CAUTION



Always follow all warning instructions marked on or supplied with this product.

To avoid the risk of burn injuries and electric shock, never touch the area with the "High Temperature" or "High Voltage" marks on.



Keep electrical and mechanical safety interlocks active. Keep the safety interlocks away from magnetic materials. Magnetic materials may accidentally activate the product and cause injuries or electric shock.



Do not attempt to remove a paper jammed deeply inside the product, particularly a paper wrapped around a Fusing Unit or a heat roller. Otherwise, it may cause injuries or burns. Switch off the product promptly and contact your local Fuji Xerox representative.



Ventilate well during extended operation or mass copying. It may affect the office air environment due to odor such as ozone in a poorly ventilated room.

Provide proper ventilation to ensure the comfortable and safe environment.

■ Consumable

WARNING



Store all consumables in accordance with the instructions given on its package or container.



Use a broom or a wet cloth to wipe off spilled toner. Never use a vacuum cleaner for the spills. It may catch fire by electric sparks inside the vacuum cleaner and cause explosion. If you spill a large volume of toner, contact your local Fuji Xerox representative.



Never throw a toner cartridge into an open flame. Remaining toner in the cartridge may catch fire and cause burn injuries or explosion.

If you have a used toner cartridge no longer needed, contact your local Fuji Xerox representative for its disposal.

CAUTION



Keep toner cartridges out of the reach of children. If a child accidentally swallows toner, spit it out, rinse mouth with water, drink water and consult a physician immediately.



When replacing toner cartridges, be careful not to spill the toner. In case of any toner spills, avoid contact with clothes, skin, eyes and mouth as well as inhalation.



If toner spills onto your skin or clothing, wash it off with soap and water.

If you get toner particles in your eyes, wash it out with plenty of water for at least 15 minutes until irritation is gone. Consult a physician if necessary.

If you inhale toner particles, move to a fresh air location and rinse your mouth with water.

If you swallow toner, spit it out, rinse your mouth with water, drink plenty of water and consult a physician immediately.

■ Warning and Caution Labels

Always follow all warning instructions marked on or supplied with this product.

To avoid the risk of burn injuries and electric shock, never touch the area with the "High Temperature" or "High Voltage" marks on.

FUJI XEROX 

To ensure optimum quality and performance of your printer, we recommend only using genuine Fuji Xerox toner. Not for sale in Japan.

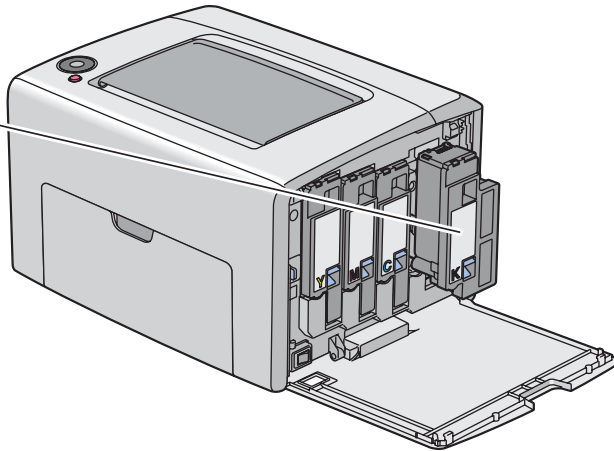
 

PRODUCT CODE: XXXXXXXX
[TYPE- xxx]

BLACK
黒色

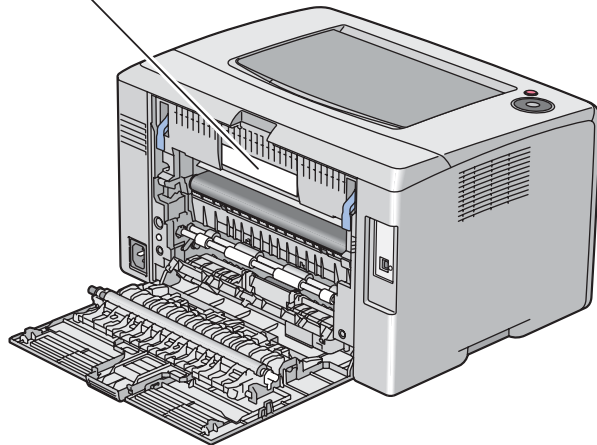
 **K**



 **CAUTION 注意**
주의 ข้อควรระวัง

 **155°C**
311°F  **00:40⁰⁰** 



Environment

- For environmental protection and efficient use of resources, Fuji Xerox reuses returned toner cartridges to make recycle parts, recycle materials or energy recovery.
- Proper disposal is required for toner cartridges no longer needed. Do not open toner cartridges containers. Return them to your local Fuji Xerox representative.

Regulation

■ Radio Frequency Emissions (Class B)



This product has been tested and found to comply with the limits for a Class B digital device, pursuant to the International Standard for Electromagnetic Interference (CISPR Publ. 22) and Radiocommunications Act 1992 in Australia/New Zealand. These limits are designed to provide reasonable protection against harmful interference in a residential installation. This product generates, uses and can radiate radio frequency energy and, if not installed and used in accordance with the instructions, may cause harmful interference to radio communications. However, there is no guarantee that interference will not occur in a particular installation. If this product does cause harmful interference to radio or television reception, which can be determined by turning this product off and on, the user is encouraged to try to correct the interference by one or more of the following measures:

- Reorient or relocate the receiving antenna.
- Increase the separation between this product and the receiver.
- Connect this product into an outlet on a circuit different from that to which the receiver is connected.
- Consult the dealer or an experienced radio/TV technician for help.

Changes and modifications to this product not specifically approved by Fuji Xerox may void the user's authority to operate this product.

■ Product Safety Certification (CB)

This product is certified by the following agency using the safety standards listed.

Agency	Standard
TUV-Rh	IEC60950-1:ed. 2

Illegal Copies and Printouts

Copying or printing certain documents may be illegal in your country. Penalties of fines or imprisonment may be imposed on those found guilty. The following are examples of items that may be illegal to copy or print in your country.

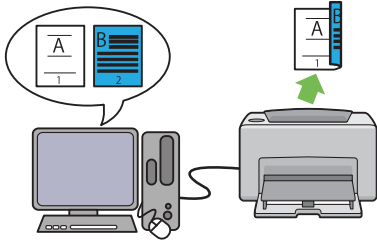
- Currency
- Banknotes and checks
- Bank and government bonds and securities
- Passports and identification cards
- Copyright material or trademarks without the consent of the owner
- Postage stamps and other negotiable instruments

This list is not inclusive and no liability is assumed for either its completeness or accuracy. In case of doubt, contact your legal counsel.

Product Features

This chapter describes the product features and indicates their links.

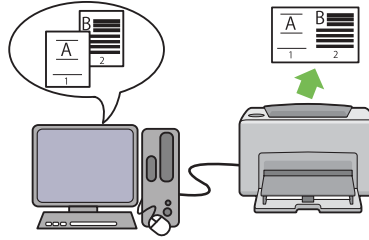
2 Sided Print (Manual)



2 Sided Print is to print two or more pages on the front and back sides of a single sheet of paper manually. This feature allows you to reduce the paper consumption.

For more information, see ["Manual Duplex Printing \(Windows Print Driver Only\)"](#) on page 84.

Multiple-Up Print



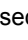



Multiple-Up enables you to print multiple pages on a single sheet of paper. This feature allows you to reduce the paper consumption.

For more information, see the print driver's Help.

Specifications

This chapter lists the main specifications of the printer. Note that the specifications of the product may change without prior notice.

Items	Description
Product Code	DocuPrint CP105 b 220V: TL300593/TL300623/TL300594 DocuPrint CP105 b 220V CHINA: TL300592 DocuPrint CP105 b 110V: TL300595
Type	Desktop
Printing method	LED Xerography IMPORTANT: <ul style="list-style-type: none"> LED + LED electrophotographic system
Fusing system	Thermal fusing system using a belt
Warm-up Time	Less than 25 seconds (after powering on at 22 °C temperature)
Continuous print speed ^{*1}	A4  : When plain paper fed is from the multipurpose feeder Color 1 Sided ^{*2} : 10 sheets/min Monochrome 1 Sided: 12 sheets/min IMPORTANT: *1 Print speed may decrease due to factors such as paper type, paper size, and printing conditions. *2 When continuously printing a single document of A4  .
First print	Color 29 seconds (A4  /Fed from the multipurpose feeder) Monochrome 24 seconds (A4  /Fed from the multipurpose feeder) IMPORTANT: <ul style="list-style-type: none"> Measurements based on Fuji Xerox test pattern. Time from printer startup until output of the first page is complete. Except the time when the printer controller receives or processes the print data.
Resolution	Data Processing Resolution: 600 × 600 dpi Output Resolution: 1200 × 2400 dpi
Tone/Color	256 tones/color (16.7 million colors)

Items	Description
Paper Size	<p>Multipurpose feeder: A4, B5, A5, Legal (8.5 × 14"), Folio (8.5 × 13"), Letter (8.5 × 11"), Executive, #10 Env, Monarch, DL, C5, Postcard (100 × 148 mm), Postcard (148 × 200 mm), Yougata 2, Yougata 3, Yougata 4, Younaga 3, Nagagata 3, Custom Size (Width: 76.2 – 215.9 mm, Length: 127 – 355.6 mm)</p> <p>Image loss: 4.1 mm from the top, bottom, left, and right edges</p>
Paper Type	<p>Plain, Bond, Lightweight Cardstock, Japanese Glossy Cardstock, Lightweight Glossy Cardstock, Recycled, Labels, Envelope, Postcard, Letterhead, Pre-Printed, Hole Punched, Colored, Special, Custom Type</p> <p>IMPORTANT:</p> <ul style="list-style-type: none"> • Fuji Xerox P paper (64 gsm) • Use only the recommended paper. Using paper other than that recommended for the printer can cause printing problems. Do not use special ink jet paper. • Note that poor printing quality due to paper-related printing problems can occur when using the printer in an environment that is dry, cold, or very humid. • Printing over the printed side or on the reverse side of paper that already has been printed on can result in poor print quality. • When printing on envelopes, use envelopes that do not have adhesive applied. • The type of paper being used and environmental conditions can affect printing quality. Because of this, it is recommended that you test print and confirm proper print quality before using the printer.
Paper capacity	<p>Standard: Multipurpose feeder: 150 sheets</p> <p>IMPORTANT:</p> <ul style="list-style-type: none"> • Fuji Xerox P paper (64 gsm)
Output tray capacity	<p>Standard: approximately 100 sheets (face down)</p> <p>IMPORTANT:</p> <ul style="list-style-type: none"> • Fuji Xerox P paper (64 gsm)
2-sided Printing Feature	Standard (Manual)
CPU	ARM9 192MHz
Memory capacity	<p>Standard: 64 MB (Onboard)</p> <p>IMPORTANT:</p> <ul style="list-style-type: none"> • The above memory capacity does not guarantee print quality depending on the type and content of print data.
Hard disk	—
Page Description Language	— (Host-based)

Items	Description
Supported OS ^{*1}	<p>Windows® XP, Windows® XP x64 Edition, Windows Vista®, Windows Vista® x64 Edition, Windows Server® 2003, Windows Server® 2003 x64 Edition, Windows Server® 2008, Windows Server® 2008 x64 Edition, Windows Server® 2008 R2 x64 Edition, Windows® 7, Windows® 7 x64 Edition, Mac OS®^{*2}</p> <p>IMPORTANT:</p> <p>*1 For the latest information about the supported operating systems, contact our Customer Support Center or your dealer. *2 Mac OS® X 10.3.9 – 10.6 are supported.</p>
Interface	Standard: USB 1.1/2.0 (Hi-Speed)
Power	<p>AC 100 – 127 V ± 10%; 10.5 A; both 50/60 Hz ± 3 Hz AC 220 – 240 V ± 10%; 4.5 A; both 50/60 Hz ± 3 Hz</p> <p>IMPORTANT:</p> <ul style="list-style-type: none"> Power outlets that provide the above power level is recommended. Maximum machine measured current: 7.0 A (AC 100 – 127 V)/4.0 A (AC 220 – 240 V)
Operating noise (main unit only)	<p>During operation: Color: 6.26 B; 46 dB (A) Monochrome: 6.26 B; 47 dB (A) During stand-by: 4.3 B; 20 dB (A)</p> <p>IMPORTANT:</p> <ul style="list-style-type: none"> Measurements based on ISO7779 Unit B: acoustic power level (LwAd) Unit dB (A): radiated sound pressure (bystander position)
Power consumption	<p>Maximum: 285 W, During Mode 2 of Power Saver Mode: 5 W or less Average: During standby: 66 W, During continuous color printing: 285 W, During continuous monochrome printing: 285 W</p> <p>IMPORTANT:</p> <ul style="list-style-type: none"> Mode 1 of Power Saver Mode: 11 W average (The printer does not use electricity when the power is switched off even with the power cord is plugged in.)
Dimensions (main unit only)	<p>394 (W) × 300 (D)^{*1} × 225 (H) mm</p> <p>IMPORTANT:</p> <p>^{*1} When the front cover is closed.</p>

Items	Description
Weight	Main Unit: 10.55 kg (main unit only, including toner cartridges)
Usage Environment	<p data-bbox="541 198 1248 256">During Use: Temperature: 10 – 32 °C; Humidity: 10 – 85% (except malfunctions due to dew condensation)</p> <p data-bbox="541 266 1214 324">Non-Use: Temperature: -10 – 40 °C; Humidity: 5 – 85% (except malfunctions due to dew condensation)</p> <p data-bbox="541 343 706 372">IMPORTANT:</p> <ul data-bbox="548 382 1262 465" style="list-style-type: none"> <li data-bbox="548 382 1262 465">• Until the conditions (temperature and humidity) inside the printer become acclimated to the installation environment, certain qualities of the paper can cause poor printing.

Basic Operation

This chapter includes:

- ["Main Components" on page 30](#)
- ["Turning On the Printer" on page 35](#)
- ["Printing a Panel Settings Page" on page 36](#)
- ["Power Saver Mode" on page 39](#)

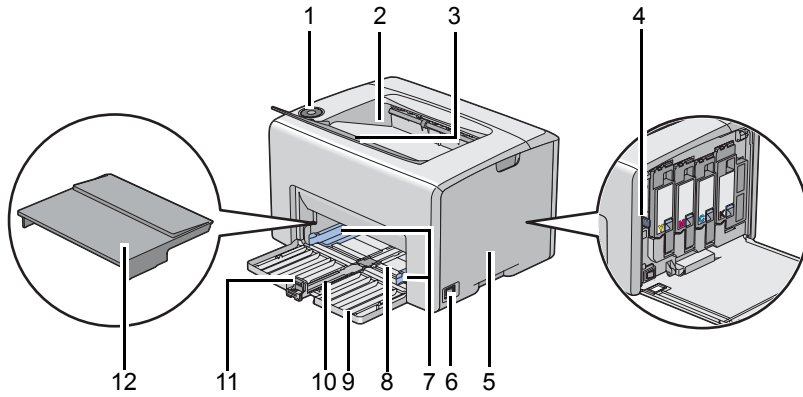
Main Components

This section provides an overview of your DocuPrint CP105 b.

This section includes:

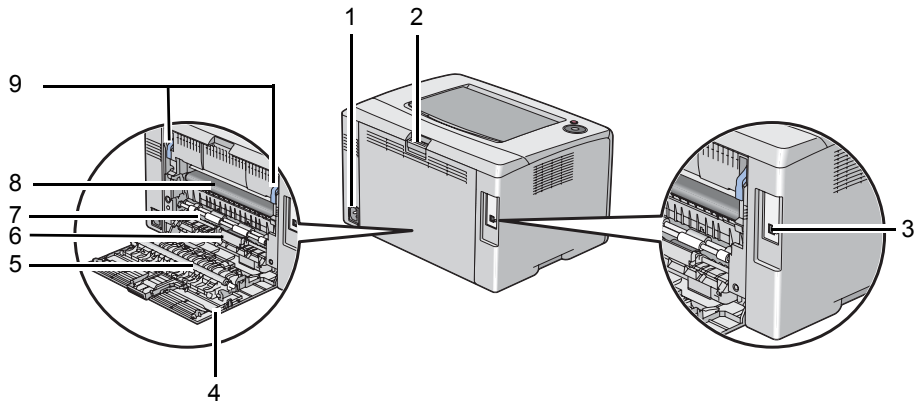
- ["Front View" on page 31](#)
- ["Rear View" on page 32](#)
- ["Operator Panel" on page 33](#)

■ Front View



1	Operator Panel	2	Center Output Tray
3	Output Tray Extension	4	Print Head Cleaning Rod
5	Toner Access Cover	6	Power Switch
7	Paper Width Guides	8	Multipurpose feeder (MPF)
9	Front Cover	10	Slide Bar
11	Length Guide	12	Paper Cover

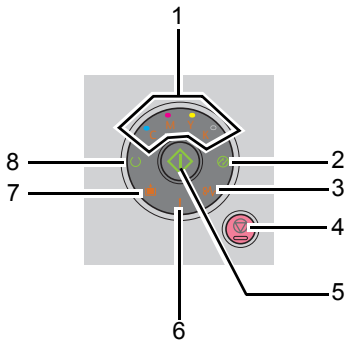
■ Rear View










1	Power Connector	2	Rear Cover Handle
3	USB Port	4	Rear Door
5	Transfer Roller	6	Paper Chute
7	Paper Feed Roller	8	Transfer Belt
9	Levers		



■ Operator Panel

The operator panel has two buttons and several indicators that show the status of the printer.



- 1** Toner Indicators
 - Indicates that the toner is low or empty, or toner error occurred.
- 2**  (**Energy Saver**) Indicator
 - Indicates that the printer is in the Power Saver Mode.
- 3**  (**Jam**) Indicator
 - Indicates that a paper jam occurred.
- 4**  (**Cancel Job**) Button
 - Press this button to cancel a job or clear an error.
- 5**  (**Start**) Button/Indicator
 - Press this button to start 2 sided printing after loading paper.
 - Press and hold this button to print the report pages.
- 6**  (**Error**) Indicator
 - Indicates that an error occurred.
- 7**  (**Load Paper**) Indicator
 - Indicates that no paper is loaded or the wrong size of paper is loaded.
- 8**  (**Ready/Data**) Indicator
 - Indicates the printer status, such as receiving and printing data.

The indicators provide information on the status of the printer and help you locate each problem.

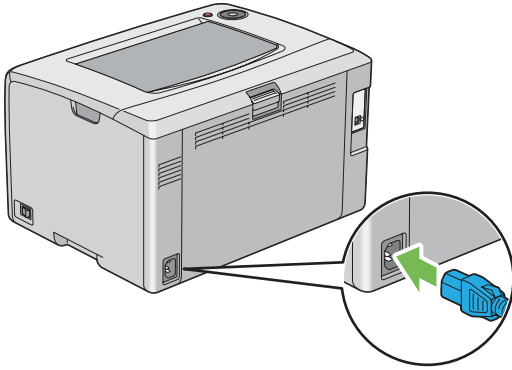
Indicator	Status	Condition
Toner	Orange on	The specified toner is low or not installed when genuine toner cartridges are used (Non Genuine Toner is set to off at the Printer Setting Utility). All toner indicators light up when the printer is in the non-genuine toner mode (Non Genuine Toner is set to On at the Printer Setting Utility).
	Orange blinks	The specified toner cartridge is empty or invalid when genuine toner cartridges are used (Non Genuine Toner is set to off at the Printer Setting Utility).
Energy Saver	Green on	The printer is in the Power Saver Mode.
	Green blinks	The printer is canceling.
Jam	Orange blinks	A paper jam occurred.
Cancel Job	-	To cancel the current job or clear the error, press the  (Cancel Job) button.
Start	Green blinks	To continue printing, press the  (Start) button.
Error	Orange on	An error occurred.
	Orange blinks	A fatal error occurred.
Load Paper	Orange blinks	No paper is loaded or the wrong size of paper is loaded.
Ready/Data	Green on	The printer is ready to print.
	Green blinks	The printer is processing, printing or canceling.

Turning On the Printer

IMPORTANT:

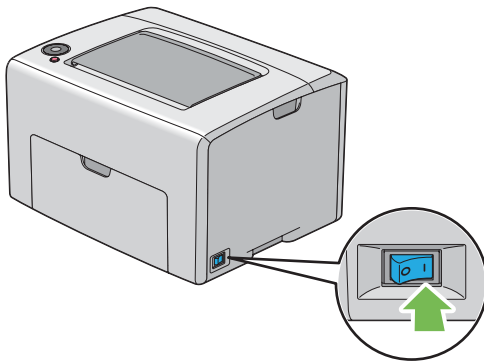
- Do not use extension cords or power strips.
- The printer should not be connected to an uninterruptible power supply (UPS) system.

- 1 Connect the power cord to the power connector on the rear of your printer (see ["Rear View" on page 32](#)).



- 2 Connect the other end of the cord to the power source.


- 3 Turn on the printer.



Printing a Panel Settings Page

The Panel Settings page shows current settings for the system and maintenance.

■ The Operator Panel

- 1 Press and hold the  (**Start**) button when the  (**Ready/Data**) indicator lights (ready status) until the  (**Ready/Data**) indicator blinks.

The Panel Settings page, Printer Settings page, and Error History Report are printed.

■ The Printer Setting Utility

The following procedure uses Microsoft® Windows® XP as an example.

- 1 Click **start** → **All Programs** → **Fuji Xerox** → **Fuji Xerox Printer Software for Asia-Pacific** → **FX DocuPrint CP105 b** → **Printer Setting Utility**.



NOTE:

- The **Select Printer** window appears in this step, when multiple print drivers are installed on your computer. In this case, click the name of the desired printer listed in **Printer Name**.

The Printer Setting Utility appears.

- 2 Click the **Printer Settings Report** tab.
- 3 Select **Information Pages** from the list at the left side of the page.
The **Information Pages** page is displayed.
- 4 Click the **Panel Settings** button.
The Panel Settings page is printed.

Power Saver Mode

The printer has a power saving feature which reduces power consumption during periods of inactivity. This feature operates in two modes: the Mode 1 and Mode 2. The power consumption of the printer in Mode 2 is lower than in Mode 1. As delivered, the printer switches to the Mode 1 five minutes after the last print job is printed. The printer then switches to the Mode 2 after another six minutes of inactivity. When the printer is in the Mode 1, all lamps on the operator panel except for the  (**Energy Saver**) indicator and the indicator announcing that a problem occurs go out. In the Mode 2, all lamps on the operator panel except for the  (**Energy Saver**) indicator go out.

The factory default settings of five minutes (Mode 1) and six minutes (Mode 2) are changeable within the range of 5 to 30 minutes (Mode 1) and 1 to 6 minutes (Mode 2). The printer returns to the ready-to-print state in about 25 seconds when re-activated.

■ Setting the Time for the Power Saver Mode

You can specify the time for the Power Saver Mode. The printer switches to the Power Saver Mode after the specified time.

The following procedure uses Microsoft Windows XP as an example.

- 1 Click **start** → **All Programs** → **Fuji Xerox** → **Fuji Xerox Printer Software for Asia-Pacific** → **FX DocuPrint CP105 b** → **Printer Setting Utility**.

NOTE:

- The **Select Printer** window appears in this step, when multiple print drivers are installed on your computer. In this case, click the name of the desired printer listed in **Printer Name**.

The Printer Setting Utility appears.

- 2 Click the **Printer Maintenance** tab.
- 3 Select **System Settings** from the list at the left side of the page.
The **System Settings** page is displayed.
- 4 Specify the time for **Mode 1** and **Mode 2** for **Power Saver Mode**.
- 5 Click the **Apply New Settings** button to take effect.

■ Exiting the Power Saver Mode

The printer automatically exits the Power Saver Mode when it receives a print job from a computer. To manually exit the Power Saver Mode, press any button on the operator panel.

NOTE:

- Opening and closing the rear door will cause the printer to exit the Mode 1.

Printer Management Software

Use the *Software Pack CD-ROM* that shipped with your printer to install a combination of software programs, depending on your operating system.

This chapter includes:

- ["Print Driver" on page 44](#)
- ["Printer Setting Utility \(Windows Only\)" on page 45](#)
- ["SimpleMonitor \(Windows Only\)" on page 46](#)
- ["Launcher \(Windows Only\)" on page 47](#)
- ["User Setup Disk Creating Tool \(Windows Only\)" on page 48](#)
- ["Status Monitor Widget \(Mac OS X Only\)" on page 49](#)

Print Driver

To access all of your printer's features, install the print driver from the *Software Pack CD-ROM*.

The Print driver enables your computer and printer to communicate and provides access to your printer features.

See also:

- ["Installing Print Driver on Computers Running Windows" on page 55](#)
- ["Installing Print Driver on Computers Running Mac OS X" on page 58](#)

Printer Setting Utility (Windows Only)

The Printer Setting Utility allows you to view or specify the system settings. You can also diagnose the system settings by using the Printer Setting Utility.

The Printer Setting Utility consists of the **Printer Settings Report**, **Printer Maintenance**, and **Diagnosis** tabs.

The Printer Setting Utility is installed with your Fuji Xerox print driver.

SimpleMonitor (Windows Only)

You can check the printer status with SimpleMonitor. Double-click the SimpleMonitor printer icon on the taskbar at the bottom right of the screen. The **Select Printer** window appears, which displays the printer name, printer connection ports, and printer status. Check the column **Status** to know the current status of your printer.

Status Settings button: Displays the **Status Settings** screen and allows you to modify the SimpleMonitor settings.

Click the name of the desired printer listed on the **Select Printer** window. The **Status Monitor** window appears.

The **Status Monitor** window alerts you when there is a warning or when an error occurs, for example, when a paper jam occurs or toner is running low.

By default, the **Status Monitor** window launches automatically when printing starts. You can specify the conditions for starting the **Status Monitor** window in **Auto start setup**.

To change the pop-up settings for the **Status Monitor** window:

The following procedure uses Microsoft® Windows® XP as an example.

- 1 Click **start** → **All Programs** → **Fuji Xerox** → **SimpleMonitor for Asia-Pacific** → **Activate SimpleMonitor**.
The **Select Printer** window appears.
- 2 Click **Status Settings**.
The **Status Settings** dialog box appears.
- 3 Select the **Pop-up Settings** tab, and then select the type of the pop-up from **Auto start setup**.

You can also check the toner level of your printer and the job information on the **Status Monitor** window.

The SimpleMonitor is installed with your Fuji Xerox print driver.

Launcher (Windows Only)

Using the **Launcher** window, you can open the **Status Window**, **Printer Setting Utility**, and **Troubleshooting**.

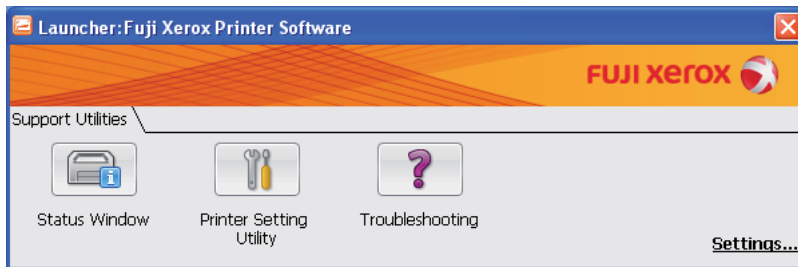
To use the **Launcher**, select to install the **Launcher** when you install the Fuji Xerox print driver.

The following procedure uses Windows XP as an example.

To open the **Launcher** window:

- 1 Click **start** → **All Programs** → **Fuji Xerox** → **Fuji Xerox Printer Software for Asia-Pacific** → **Launcher**.

The **Launcher** dialog box appears.



- 2 The **Launcher** window provides three buttons; **Status Window**, **Printer Setting Utility**, and **Troubleshooting**.

To exit, click the **X** button at the top-right of the window.

For details, click the **Help** button/icon of each application.

Status Window	Click to open the Status Monitor window. See also: <ul style="list-style-type: none">• "SimpleMonitor (Windows Only)" on page 46
Printer Setting Utility	Click to open the Printer Setting Utility. See also: <ul style="list-style-type: none">• "Printer Setting Utility (Windows Only)" on page 45
Troubleshooting	Click to open the Troubleshooting guide, which allows you to resolve issues by yourself.

User Setup Disk Creating Tool (Windows Only)

The User Setup Disk Creating Tool program located in the **MakeDisk** folder of the **Utilities** folder on the *Software Pack CD-ROM* and the print driver located on the *Software Pack CD-ROM* are used to create driver installation packages that contain custom driver settings. A driver installation package can contain a group of saved print driver settings and other data for things such as:

- Print orientation and Multiple-UP (document settings)
- Watermarks

If you want to install the print driver with the same settings on multiple computers running on the same operating system, create a setup disk in a floppy disk or in a server on the network. Using the setup disk that you have created will reduce the amount of work required when installing the print driver.

- Install the DocuPrint CP105 b print driver in the computer on which the setup disk is to be created.
- The setup disk can only be used on the operating system on which the disk was created or computers running the same operating system. Create a separate setup disk for each of the operating systems.

Status Monitor Widget (Mac OS X Only)

Status Monitor Widget is a printer utility that promotes efficient use of the printer through the exchange of information between the Mac OS® X and the printer.

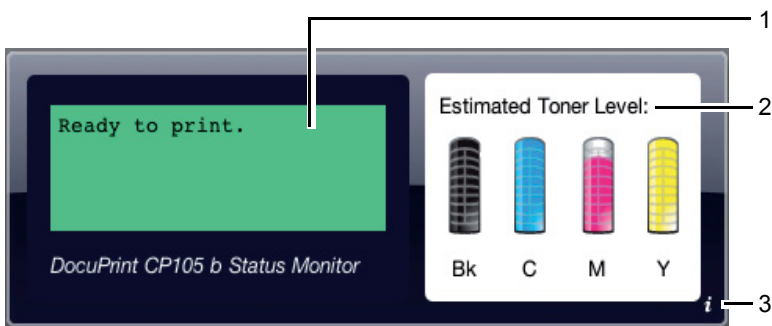
You can install the Status Monitor Widget from the *Software Pack CD-ROM*. For information on the installation, see "[Installing the Software](#)" on page 60.

To open the Status Monitor Widget:

Click the **Dashboard** icon in the dock to launch Dashboard.



Status Monitor window appears.



1 Printer Status Message Area

Displays a message of the current printer status.

NOTE:

- The Status Monitor Widget automatically obtains the printer information at the updated interval that can be specified in preferences. Also, the printer status is refreshed when you launch the Dashboard or close the preferences.
- If you receive no response from the printer or the printer is processing a job using a USB connection, "Cannot get printer information." is displayed.

2 Printer Status Image Area

Displays the image of printer condition.

- Estimated Toner Level image

Displays the estimated toner level of each color if the printer is functioning properly.

Less than 29% Less than 9% Unknown



NOTE:

- If the utility does not receive a response from the printer, the unknown toner image appears.

- Printer error image

Displays an indication image when an error occurs.



An error has occurred and the printer requires your attention to correct a problem.



An error has occurred and the printer cannot be used.



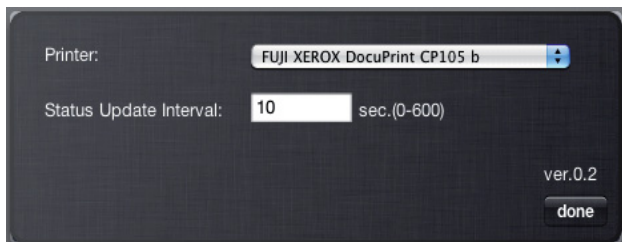
An unknown error has occurred and the printer cannot be used.

3 Info (i) button

Click this button to open preferences.

NOTE:

- The info (i) button appears on the lower-right corner of the window when the cursor is over the Status Monitor window.



Printer	Displays a list of available printer names in the drop-down list. The first printer displayed in this list is set as default.
Status Update Interval	You can specify the update interval of the printer status. By default, it is set to obtain the printer information every 10 seconds. The range varies between 0 and 600.
done button	Click this button to return to the Status Monitor window.

Installing the Print Driver

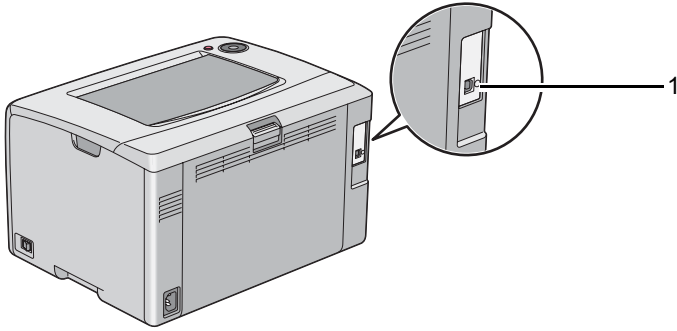
This chapter includes:

- ["Connecting Your Printer" on page 52](#)
- ["Installing Print Driver on Computers Running Windows" on page 55](#)
- ["Installing Print Driver on Computers Running Mac OS X" on page 58](#)

Connecting Your Printer

Your DocuPrint CP105 b interconnection cable must meet the following requirement:

Connection Type	Connection Specification
USB	USB 1.1/2.0 compatible



1 USB Port



■ Connecting Printer to Computer

Connect the printer via USB. A USB connection is a direct connection and is not used for networking. The available feature is shown in the following table.

Connection Type	Available Feature
USB	You can instruct print jobs from a computer.

USB Connection

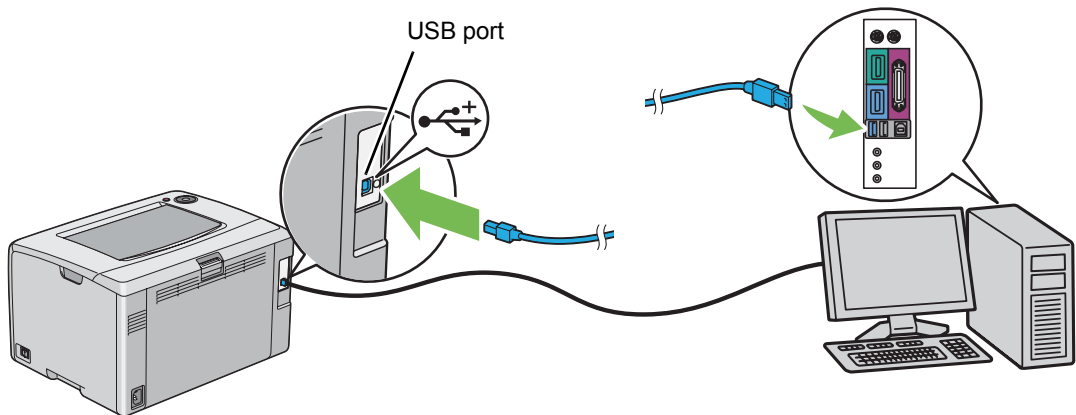
A local printer is a printer which is directly attached to your computer using the USB cable.

The following operating systems support USB connection:

- Microsoft® Windows® XP
- Windows XP 64-bit Edition
- Windows Server® 2003
- Windows Server 2003 x64 Edition
- Windows Server 2008
- Windows Server 2008 64-bit Edition
- Windows Server 2008 R2
- Windows Vista®
- Windows Vista 64-bit Edition
- Windows 7
- Windows 7 64-bit Edition
- Mac OS® X 10.3.9/10.4.11/10.5.8 -10.6

To attach the printer to a computer:

- 1 Ensure that the printer, computer, and any other attached devices are turned off and unplugged from the power source/outlet.
- 2 Connect the smaller USB connector into the USB port at the back of the printer and the other end of the cable into a USB port of the computer.



NOTE:

- Do not connect the printer USB cable to the USB connector available on the keyboard.

Installing Print Driver on Computers Running Windows

This section includes:

- ["Inserting the Software Pack CD-ROM" on page 56](#)
- ["USB Connection Setup" on page 57](#)

■ Inserting the Software Pack CD-ROM

- 1 Insert the *Software Pack CD-ROM* into your computer to start **Easy Install Navi**.

NOTE:

- If the CD does not automatically launch, click **Start** (**start** for Windows XP) → **All Programs** (for Windows Vista and Windows 7) → **Accessories** (for Windows Vista and Windows 7) → **Run**, and then enter **D:\setup.exe** (where D is the drive letter of your CD), and then click **OK**.

■ USB Connection Setup

The following procedure uses Windows XP as an example.

• When the Printer is Connected to Computer With a USB Cable

1 Turn on the printer.

NOTE:

- If **Found New Hardware Wizard** appears, click **Cancel** at this time.

2 Click **Installing Drivers and Software**.

3 If you agree to the terms of the **License Agreement**, click **I accept the terms of the license agreement** to continue the installation process, and then click **Next**.

4 Follow the on-screen instructions.

The Plug and Play installation starts and the installation software proceeds to the next page automatically.

5 Click **Finish** to exit the wizard when the "Congratulations!" screen appears. If necessary, click **Print Test Page** to print a test page.

• When the Printer is not Connected to Computer With a USB Cable

1 Turn off the printer.

2 Click **Installing Drivers and Software**.

3 If you agree to the terms of the **License Agreement**, click **I accept the terms of the license agreement** to continue the installation process, and then click **Next**.

4 Follow the on-screen instructions to connect the computer and the printer with the USB cable, and then turn on the printer.

5 Click **Finish** to exit the wizard.

6 Proceed the Plug and Play installation.

Installing Print Driver on Computers Running Mac OS X

This section includes:

- ["Installing the Driver" on page 59](#)
- ["Installing the Software" on page 60](#)

■ Installing the Driver

The following procedure uses Mac OS X 10.6 as an example.

- 1 Run the *Software Pack CD-ROM* on the Mac OS X.
- 2 Double-click the **CP205 CP105 Print Installer** icon.
- 3 Click **Continue** on the **Introduction** screen.
- 4 Select a language for the **Software License Agreement**.
- 5 After reading the **Software License Agreement**, click **Continue**.
- 6 If you agree to the terms of the **Software License Agreement**, click **Agree** to continue the installation process.
- 7 Click **Install** to perform the standard installation.
- 8 Enter the administrator's name and password, and then click **OK**.
- 9 Click **Close** to complete installation.

■ Installing the Software

The following procedure uses Mac OS X 10.6 as an example.

- 1 Run the *Software Pack CD-ROM* on the Mac OS X.
- 2 Double-click the **CP105 Status Monitor Installer** icon.
- 3 Click **Continue** on the **Introduction** screen.
- 4 Select a language for the **Software License Agreement**.
- 5 After reading the **Software License Agreement**, click **Continue**.
- 6 If you agree to the terms of the **Software License Agreement**, click **Agree** to continue the installation process.
- 7 Click **Install** to perform the standard installation.
- 8 Enter the administrator's name and password, and then click **OK**.
- 9 Click **Close** to complete installation.

Adding a Printer on Mac OS X 10.5.8/10.6 or Later Version(s)

- 1 Turn off the printer and your computer.
- 2 Connect the printer and your computer with the USB cable.
- 3 Turn on the printer and your computer.
- 4 Display **System Preferences**, and then click **Print & Fax**.
- 5 Confirm your USB printer is added to **Print & Fax** in **System Preferences**.
If your USB printer is not displayed, execute the following procedures.
- 6 Click the plus (+) sign, and then click **Default**.
- 7 Select the printer connected via USB from the **Printer Name** list.
Name, **Location**, and **Print Using** are automatically entered.
- 8 Click **Add**.

Adding a Printer on Mac OS X 10.4.11

- 1 Turn off the printer and your computer.
- 2 Connect the printer and your computer with the USB cable.
- 3 Turn on the printer and your computer.
- 4 Start **Printer Setup Utility**.

NOTE:

- You can find **Printer Setup Utility** in the **Utilities** folder in **Applications**.

- 5 Confirm your USB printer is added to **Printer List**.
If your USB printer is not displayed, execute the following procedures.
- 6 Click **Add**.
- 7 Click **Default Browser** in the **Printer Browser** dialog box.
- 8 Select the printer connected via USB from the **Printer Name** list.
Name, **Location** and **Print Using** are automatically entered.
- 9 Click **Add**.

Adding a Printer on Mac OS X 10.3.9

- 1 Turn off the printer and your computer.
- 2 Connect the printer and your computer with the USB cable.
- 3 Turn on the printer and your computer.
- 4 Start **Printer Setup Utility**.

NOTE:

- You can find **Printer Setup Utility** in the **Utilities** folder in **Applications**.

- 5 Confirm your USB printer is added to **Printer List**.
If your USB printer is not displayed, execute the following procedures.
- 6 Click **Add**.
- 7 Select **USB** from the menu.
- 8 Select the printer from the **Product** list.
Printer Model is automatically selected.
- 9 Click **Add**.

Printing Basics

This chapter includes:

- ["About Print Media" on page 64](#)
- ["Supported Print Media" on page 68](#)
- ["Loading Print Media" on page 72](#)
- ["Printing" on page 88](#)

About Print Media

This section includes:

- ["Print Media Usage Guidelines" on page 65](#)
- ["Print Media That Can Damage Your Printer" on page 66](#)
- ["Print Media Storage Guidelines" on page 67](#)

Using paper that is not appropriate for the printer can cause paper jams, image quality problems, or printer failure. To achieve the best performance from your printer, we recommend you to use only the paper described in this section.

When using paper other than that recommended, contact the Fuji Xerox local representative office or an authorised dealer.

■ Print Media Usage Guidelines

The printer tray accommodates most sizes and types of paper and other specialty media. Follow these guidelines when loading paper and media in the tray:

- Fan paper or other specialty media before loading in the multipurpose feeder (MPF).
- Do not print on label stock once a label has been removed from a sheet.
- Use only paper envelopes. Do not use envelopes with windows, metal clasps, or adhesives with release strips.
- Print all envelopes single-sided only.
- Some wrinkling and embossing may occur when printing envelopes.
- Do not overload the paper tray. Do not load print media above the fill line on the inside of the paper width guides.
- Adjust the paper width guides to fit the paper size.
- If excessive jams occur, use paper or other media from a new package.



WARNING:

- **Do not use conductive paper such as origami paper, carbonic paper or conductively-coated paper. When paper jam occurs, it may cause short-circuit and eventually a fire accident.**

See also:

- ["Loading Print Media in the Multipurpose Feeder \(MPF\)" on page 75](#)
- ["Loading Envelope in the Multipurpose Feeder \(MPF\)" on page 79](#)
- ["Printing on Custom Size Paper" on page 96](#)

■ Print Media That Can Damage Your Printer

Your printer is designed to use a variety of media types for print jobs. However, some media can cause poor output quality, increased paper jams, or damage to your printer.

Unacceptable media includes:

- Rough or porous media
- Plastic media
- Paper that has been folded or wrinkled
- Paper with staples
- Envelopes with windows or metal clasps
- Padded envelopes
- Non-laser glossy or coated paper
- Perforated media



WARNING:

- **Do not use conductive paper such as origami paper, carbonic paper or conductively-coated paper. When paper jam occurs, it may cause short-circuit and eventually a fire accident.**

■ Print Media Storage Guidelines

Providing good storage conditions for your paper and other media contributes to optimum print quality.

- Store print media in dark, cool, relatively dry locations. Most paper items are susceptible to damage from ultraviolet (UV) and visible light. UV radiation, which is emitted by the sun and fluorescent bulbs, is particularly damaging to paper items. The intensity and length of exposure to visible light on paper items should be reduced as much as possible.
- Maintain constant temperatures and relative humidity.
- Avoid attics, kitchens, garages, and basements for storing print media.
- Store print media flat. Print media should be stored on pallets, cartons, shelves, or in cabinets.
- Avoid having food or drinks in the area where print media is stored or handled.
- Do not open sealed packages of paper until you are ready to load them into the printer. Leave paper in the original packaging. For most commercial cut-size grades, the ream wrapper contains an inner lining that protects the paper from moisture loss or gain.
- Leave the media inside the bag until you are ready to use it; reinsert unused media in the bag and reseal it for protection. Some specialty media is packaged inside resealable plastic bags.

Supported Print Media

Using unsuitable print media may lead to paper jams, poor print quality, breakdown and damage to your printer. To use the features of this printer effectively, use the suggested print media that is recommended here.

IMPORTANT:

- The toner may come off the print media, if it gets wet by water, rain, steam and so on. For details, contact the Fuji Xerox local representative office or an authorized dealer.

■ Usable Print Media

The types of print media that can be used on this printer are as follows:

Multipurpose Feeder (MPF)

Paper Size	A4 SEF (210 × 297 mm) B5 SEF (182 × 257 mm) A5 SEF (148 × 210 mm) Letter SEF (8.5 × 11 inches) Legal SEF (8.5 × 14 inches) Folio SEF (8.5 × 13 inches) Executive SEF (7.25 × 10.5 inches) C5 SEF (162 × 229 mm) Monarch SEF (3.875 × 7.5 inches) Monarch LEF (7.5 × 3.875 inches) ^{*1} # 10 Env SEF (4.125 × 9.5 inches) DL SEF (110 × 220 mm) DL LEF (220 × 110 mm) ^{*1} Yougata 2 SEF (114 × 162 mm) Yougata 2 LEF (162 × 114 mm) ^{*1} Yougata 3 SEF (98 × 148 mm) Yougata 3 LEF (148 × 98 mm) ^{*1} Yougata 4 SEF (105 × 235 mm) Younaga 3 SEF (120 × 235 mm) Nagagata 3 SEF (120 × 235 mm) Postcard SEF (100 × 148 mm) Postcard SEF (148 × 200 mm) Custom Size: Width: 76.2–215.9 mm (3–8.5 inches) ^{*2} Length: 127–355.6 mm (5–14 inches) ^{*3}
Paper Type (Weight)	Plain Bond Lightweight Cardstock Japanese Glossy Cardstock Lightweight Glossy Cardstock Labels Envelope Recycled Postcard Letterhead Pre-Printed Hole Punched Colored Special Custom Type

Loading Capacity	150 sheets of standard paper
------------------	------------------------------

*1 Monarch, DL, Yougata 2, and Yougata 3 envelopes can be supported by LEF with their flap open.

*2 The maximum width is 220 mm for DL LEF.

*3 The minimum length is 3.875 inches for Monarch LEF, 110 mm for DL LEF, 114 mm for Yougata 2 LEF, and 98 mm for Yougata 3 LEF.

NOTE:

- SEF and LEF indicate the paper feed direction; SEF stands for short-edge feed. LEF stands for long-edge feed.
- Use only laser print media. Do not use ink jet paper in this printer.

See also:

- ["Loading Print Media in the Multipurpose Feeder \(MPF\)" on page 75](#)
- ["Loading Envelope in the Multipurpose Feeder \(MPF\)" on page 79](#)
- ["Loading Postcard in the Multipurpose Feeder \(MPF\)" on page 82](#)
- ["Loading Letterhead in the Multipurpose Feeder \(MPF\)" on page 83](#)

Printing on print media that differs from the paper size or paper type selected on the print driver may lead to paper jams. To ensure that printing is correctly done, select the correct paper size and paper type.

Loading Print Media

Loading print media properly helps prevent jams and ensures trouble-free printing.

Before loading print media, identify the recommended print side of the print media. This information is usually on the print media package.

NOTE:

- After loading paper in the feeder, specify the same paper type on the print driver.

■ Capacity

Multipurpose feeder (MPF) can hold:

- 150 sheets of standard paper
- 16.2 mm (0.64 inches) of thick paper
- One sheet of coated paper
- 16.2 mm (0.64 inches) of post cards
- Five envelopes
- 16.2 mm (0.64 inches) of labels

■ Print Media Dimensions

The MPF accepts print media within the following dimensions:

- Width: 76.2–215.9 mm (3.00–8.50 inches)
- Length: 127–355.6 mm (5.00–14.00 inches)

NOTE:

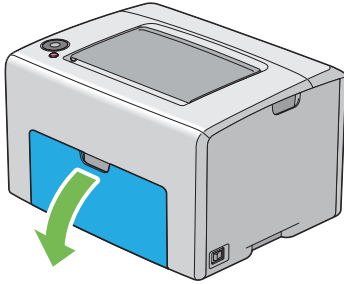
- The maximum width is 220 mm for DL LEF.
- The minimum length is 3.875 inches for Monarch LEF, 110 mm for DL LEF, 114 mm for Yougata 2 LEF, and 98 mm for Yougata 3 LEF.

■ Loading Print Media in the Multipurpose Feeder (MPF)

NOTE:

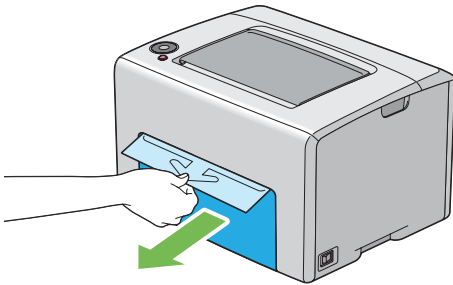
- To avoid paper jams, do not remove the paper cover while printing is in progress.
- Use only laser print media. Do not use ink jet paper in this printer.

- 1 Open the front cover.

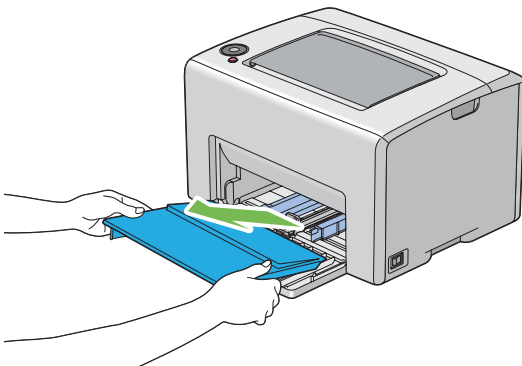


NOTE:

- When you use the MPF for the first time, open the front cover by pulling out the instruction sheet.

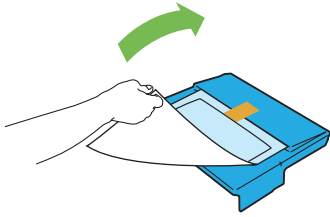


- 2 Pull the paper cover out.

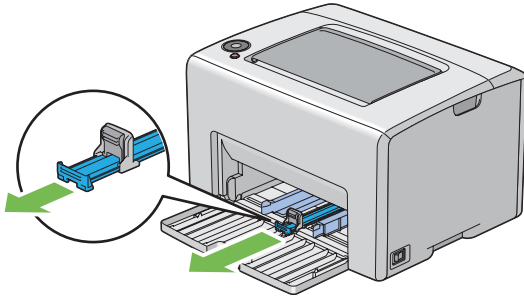


NOTE:

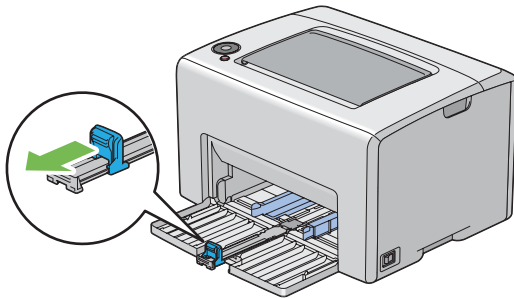
- When you use the MPF for the first time, remove the instruction sheet attached to the paper cover with adhesive tape.



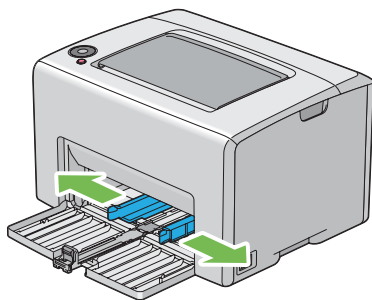
3 Pull the slide bar forward until it stops.



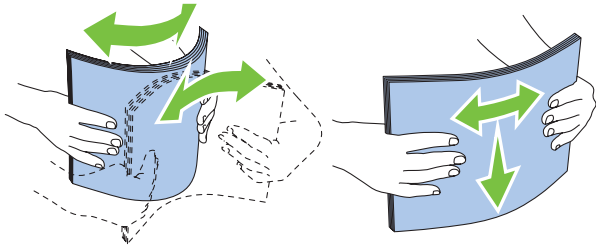
4 Pull the length guide forward until it stops.



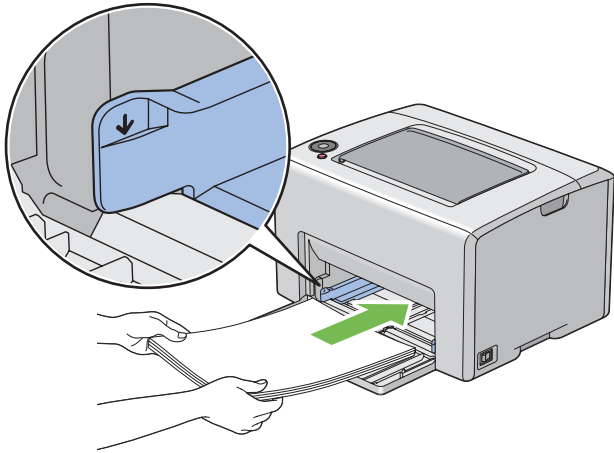
5 Adjust the paper width guides to their maximum width.



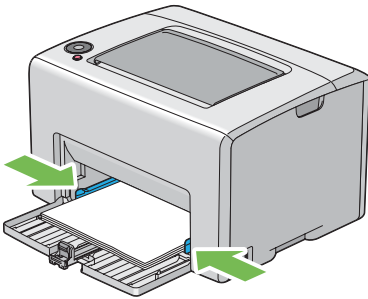
6 Before loading the print media, flex the sheets back and forth, and then fan them. Straighten the edges of the stack on a level surface.



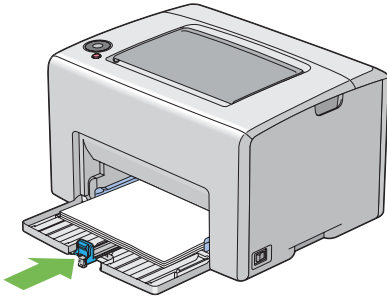
- 7** Load print media on the MPF with the top edge first and with the recommended print side facing up.



- 8** Adjust the paper width guides until they rest lightly against the edges of the stack of print media.

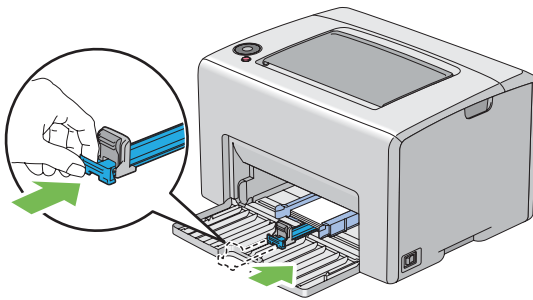


- 9** Slide the length guide towards the printer until it touches the print media.

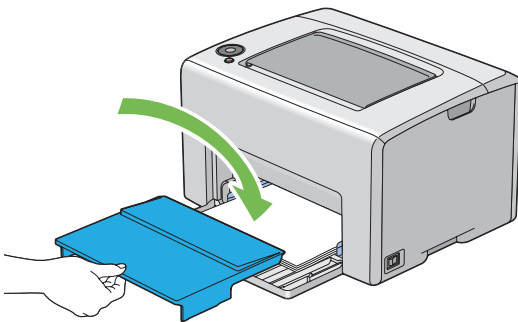


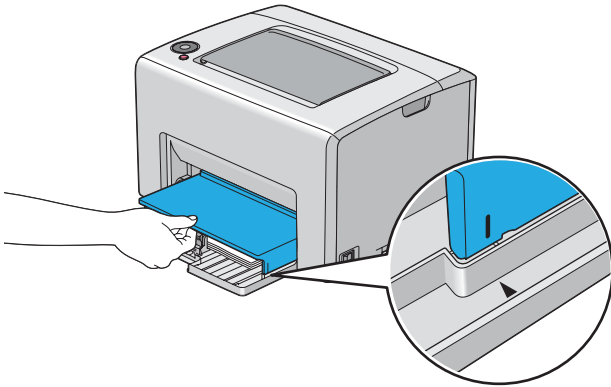
NOTE:

- Depending on the size of print media, first slide the slide bar backward until it stops, and then pinch the length guide and slide it backward until it touches print media.

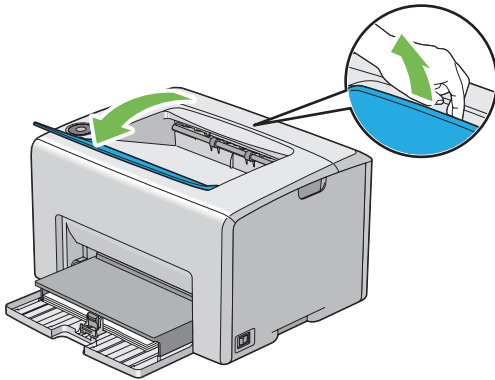


- 10** Insert the paper cover into the printer and then align the paper cover to the marking on the MPF.





11 Open the output tray extension.



12 Select the paper type from the print driver if the loaded print media is not standard plain paper. If a user-specified print media is loaded in the MPF, you must specify the paper size setting by using the print driver.

NOTE:

- For more information about setting the paper size and type on the print driver, refer to the online Help provided for the print driver.

NOTE:

- For standard-size paper, adjust the guides first and then set paper.

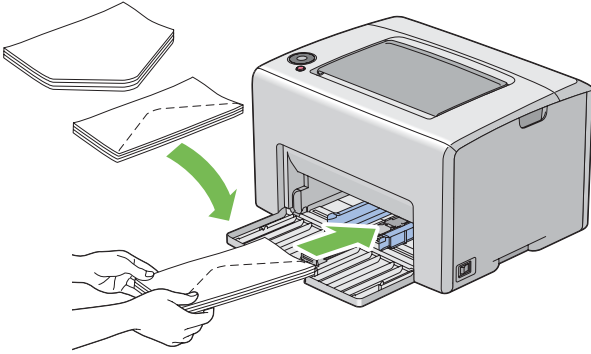
Loading Envelope in the Multipurpose Feeder (MPF)

NOTE:

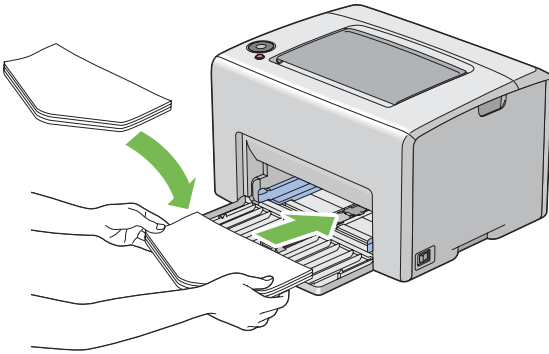
- When you print on envelopes, be sure to specify the envelope setting on the print driver. If not specified, the print image will be rotated 180 degrees.

• When Loading # 10, DL, Monarch, Yougata 2/3/4, or Younaga 3

Load envelopes with the side to be printed on facing up, the flap side facing down, and the flap turned to the right.



To prevent DL, Monarch, Yougata 2, and Yougata 3 from being wrinkled, they are recommended to be loaded with the print-side facing up, flap opened, and facing you.

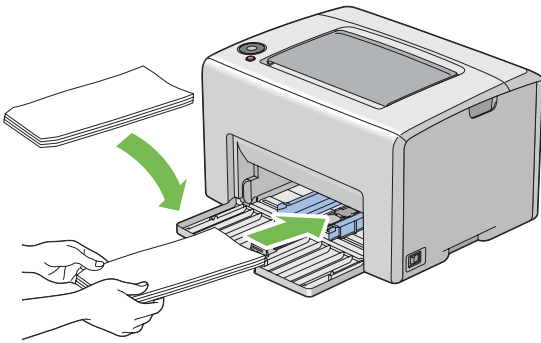


NOTE:

- When you load the envelopes in the long-edge feed (LEF) orientation, be sure to specify the landscape orientation on the print driver.

• When Loading C5 or Nagagata 3

Load envelopes with the side to be printed on facing up, flap opened, and facing you.

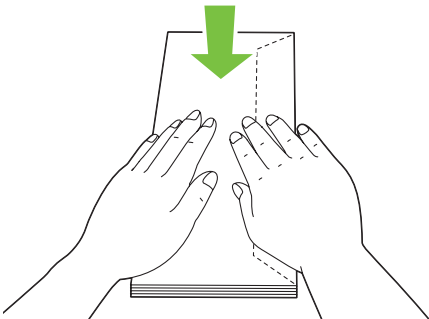


IMPORTANT:

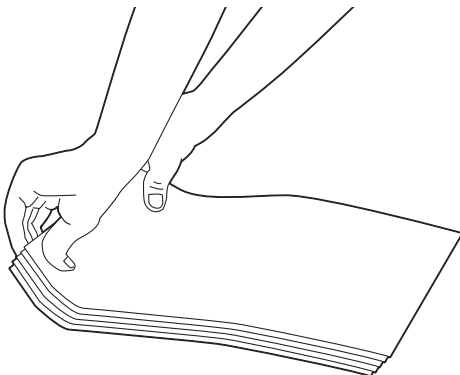
- Never use envelopes with windows, or coated linings. These lead to paper jams and can cause damage to the printer.

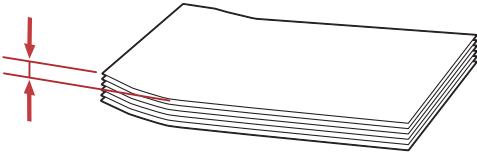
NOTE:

- If you do not load envelopes in the MPF right after they have been removed from the packaging, they may bulge. To avoid jams, flatten them as shown below when loading them in the MPF.



- If envelopes are still not fed correctly, add some bending to the flap of the envelopes as shown in the following illustration.
The amount of the bending shall be 5 mm (0.20 inches) or less.





- To confirm the correct orientation of each print media such as envelopes, see the instruction on the Envelope/Paper Setup Navigator on the print driver.

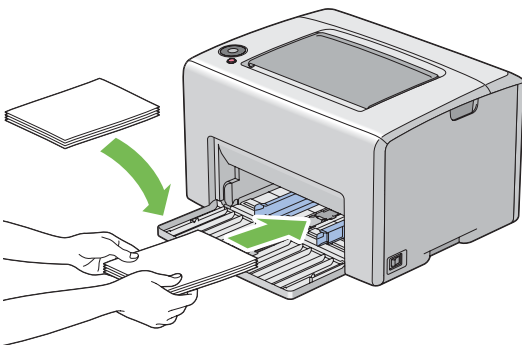
Loading Postcard in the Multipurpose Feeder (MPF)

NOTE:

- When you print on postcards, be sure to specify the postcard setting on the print driver to get the optimum print result.

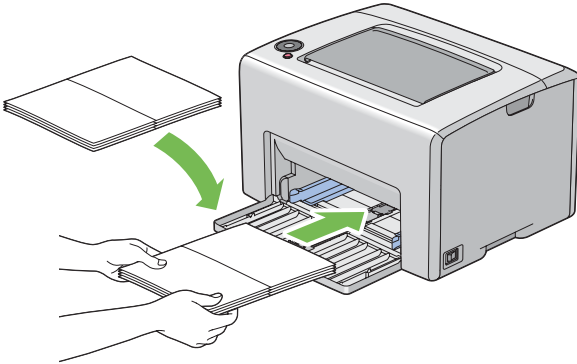
• When Loading Postcard

Load the postcard with the side to be printed on facing up, and the top edge of the postcard in first.



• When Loading W-Postcard

Load the w-postcard with the side to be printed on facing up, and the left edge of the w-postcard in first.

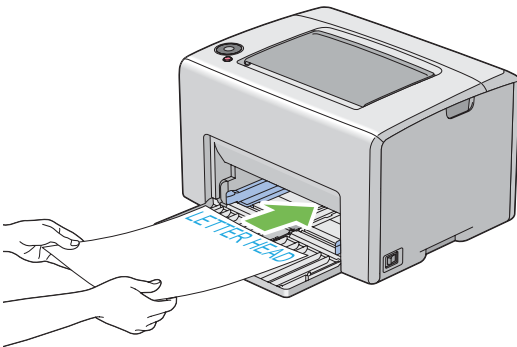


NOTE:

- To confirm the correct orientation of each print media such as postcards, see the instruction on the Envelope/Paper Setup Navigator on the print driver.

Loading Letterhead in the Multipurpose Feeder (MPF)

Load the letterhead in the printer with the print side facing up. Ensure that the title on the letterhead enters the printer first.



■ Manual Duplex Printing (Windows Print Driver Only)

This section includes:

- ["Operations on Your Computer" on page 85](#)
- ["Loading Print Media in the Multipurpose Feeder \(MPF\)" on page 86](#)

NOTE:

- When printing on curled paper, straighten the paper and then insert it into the feeder.

When you start manual duplex printing, the instruction window appears. Note that the window cannot be reopened once it is closed. Do not close the window until duplex printing is complete.

Operations on Your Computer

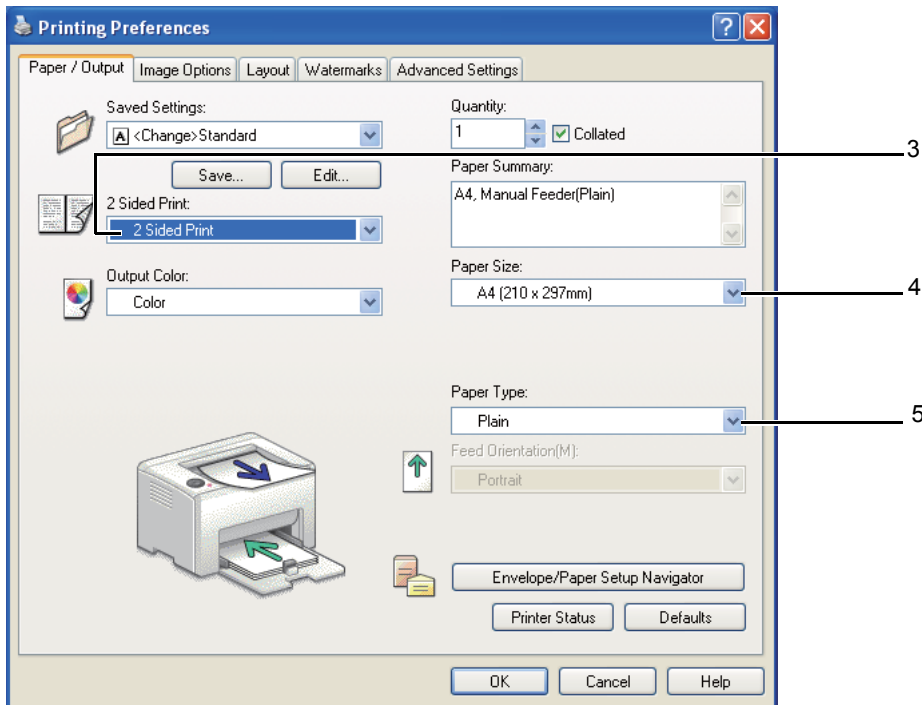
The following procedure uses Microsoft® Windows® XP WordPad as an example.

NOTE:

- The way to display the printer **Properties/Printing Preferences** dialog box differs according to the application software. Refer to the manual of your respective application software.

- 1 From the **File** menu, select **Print**.
- 2 Select the printer from the **Select Printer** list box, and then click **Preferences**.
- 3 The **Paper / Output** tab appears.

From **2 Sided Print**, select either **2 Sided**, **Flip on Short Edge** or **2 Sided Print** to define the way 2-sided print pages are bound.



- 4 From **Paper Size**, select the size of the document to be printed.
- 5 From **Paper Type**, select the paper type to be used.
- 6 Click **OK** to close the **Printing Preferences** dialog box.
- 7 Click **Print** in the **Print** dialog box to start printing.


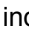
IMPORTANT:

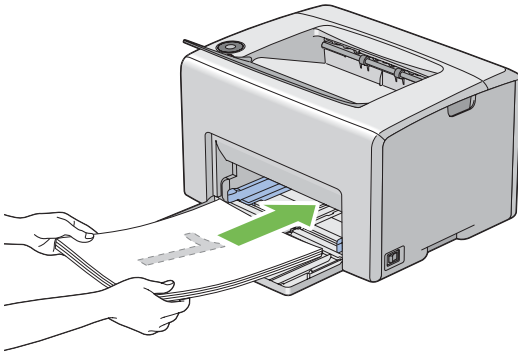
- When you start manual duplex printing, the instruction window appears. Note that the window cannot be reopened once it is closed. Do not close the window until duplex printing is complete.

Loading Print Media in the Multipurpose Feeder (MPF)

- 1 First print the even pages (rear sides).

For a six page document, rear sides are printed in the order of page 6, page 4, then page 2.

The  (**Start**) indicator blinks and the  (**Ready/Data**) indicator lights when the even pages finish printing.

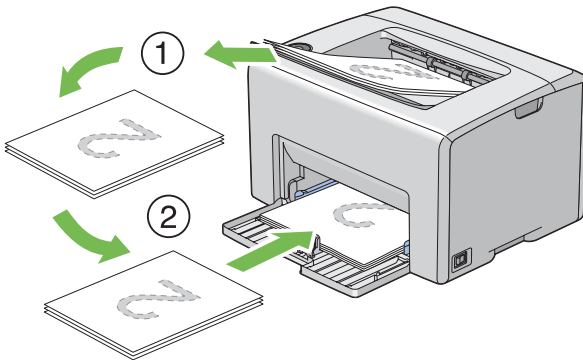


- 2 After the even pages are printed, remove the paper stack from the center output tray.

NOTE:

- Warped or curled prints can cause paper jams. Straighten them before setting them.

- 3 Stack the prints and set them as they are (with the blank side facing up) into the MPF.



- 4 Press the  (**Start**) button.

Pages are printed in the order of page 1 (rear of page 2), page 3 (rear of page 4), and then page 5 (rear of page 6).

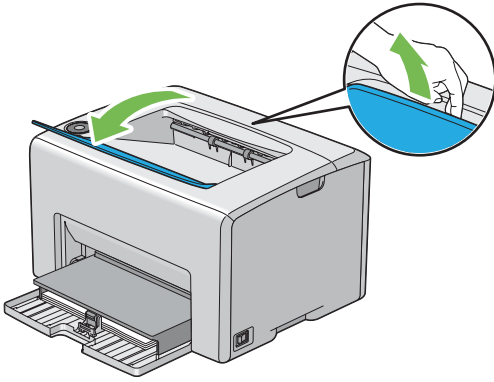
NOTE:

- Printing on both sides of the paper is not possible if the document consists of various sizes of paper.

■ Using the Output Tray Extension

The output tray extension is designed to prevent print media from falling from the printer after the print job is complete.

Before printing a document, ensure that the output tray extension is opened.



Printing

This section covers how to print certain lists of information from your printer and how to cancel a job.

This section includes:

- ["Sending a Job to Print" on page 89](#)
- ["Canceling a Print Job" on page 90](#)
- ["Selecting Printing Options" on page 91](#)
- ["Printing Custom Size Paper" on page 96](#)
- ["Checking Status of Print Data" on page 98](#)
- ["Printing a Report Page" on page 99](#)
- ["Printer Settings" on page 100](#)

■ Sending a Job to Print

Install the print driver to use all the features of the printer. When you choose **Print** from a software program, a window representing the print driver opens. Select the appropriate settings for the specific job you are sending to print. Print settings selected from the driver have precedence over the default menu settings selected from the Printer Setting Utility.

You may need to click **Preferences** from the initial **Print** dialog box to see all the available system settings you can change. If you are not familiar with a feature in the print driver window, open the online Help for more information.

To print a job from a typical Windows application:

- 1 Open the file you want to print.
- 2 From the **File** menu, select **Print**.
- 3 Verify that the correct printer is selected in the dialog box. Modify the system settings as needed (such as the pages you want to print or the number of copies).
- 4 To adjust system settings not available from the first screen, such as **Quantity**, **Paper Size**, or **Feed Orientation**, click **Preferences**.
The **Printing Preferences** dialog box appears.
- 5 Specify the print settings. For more information, click **Help**.
- 6 Click **OK** to close the **Printing Preferences** dialog box.
- 7 Click **Print** to send the job to the selected printer.

■ Canceling a Print Job


There are several methods for canceling a print job.

This section includes:

- ["Canceling From the Operator Panel" on page 90](#)
- ["Canceling a Job From the Computer Running Windows" on page 90](#)

Canceling From the Operator Panel

To cancel a job after it has started printing:

- 1 Press the  (**Cancel Job**) button.

NOTE:

- Printing is canceled only for the current job. All the following jobs will continue to print.

Canceling a Job From the Computer Running Windows

• Canceling a Job From the Taskbar

When you send a job to print, a small printer icon appears in the right corner of the taskbar.

- 1 Double-click the printer icon.
A list of print jobs appears in the printer window.
- 2 Select the job you want to cancel.
- 3 Press the **Delete** key.

• Canceling a Job From the Desktop

- 1 Minimize all programs to reveal the desktop.
Click **start** → **Printers and Faxes** (for Windows XP).
Click **Start** → **Printers and Faxes** (for Windows Server[®] 2003).
Click **Start** → **Devices and Printers** (for Windows 7 and Windows Server 2008 R2).
Click **Start** → **Control Panel** → **Hardware and Sound** → **Printers** (for Windows Vista[®]).
Click **Start** → **Control Panel** → **Printer** (for Windows Server 2008).
A list of available printers appears.
- 2 Double-click the printer you selected when you sent the job.
A list of print jobs appears in the printer window.
- 3 Select the job you want to cancel.
- 4 Press the **Delete** key.

■ Selecting Printing Options

This section includes:

- ["Selecting Printing Preferences \(Windows\)" on page 91](#)
- ["Selecting Options for an Individual Job \(Windows\)" on page 92](#)
- ["Selecting Options for an Individual Job \(Mac OS X\)" on page 94](#)

Selecting Printing Preferences (Windows)

Printer preferences control all of your print jobs, unless you override them specifically for a job. For example, if you want to use duplex printing for most jobs, set this option in printer settings.

To select printer preferences:

- 1** Click **start** → **Printers and Faxes** (for Windows XP).
Click **Start** → **Printers and Faxes** (for Windows Server 2003).
Click **Start** → **Devices and Printers** (for Windows 7 and Windows Server 2008 R2).
Click **Start** → **Control Panel** → **Hardware and Sound** → **Printers** (for Windows Vista).
Click **Start** → **Control Panel** → **Printer** (for Windows Server 2008).
A list of available printers appears.
- 2** Right-click the icon for your printer, and then select **Printing Preferences**.
The **FX DocuPrint CP105 b Printing Preferences** screen appears.
- 3** Make selections on the driver tabs, and then click **OK** to save your selections.

NOTE:

- For more information about Windows print driver options, click **Help** on the print driver tab to view the online Help.

Selecting Options for an Individual Job (Windows)

If you want to use special printing options for a particular job, change the driver settings before sending the job to the printer. For example, if you want to use Photo print-quality mode for a particular graphic, select this setting in the driver before printing that job.

- 1 With the desired document or graphic open in your application, access the **Print** dialog box.
- 2 Select the DocuPrint CP105 b and click **Preferences** to open the print driver.
- 3 Make selections on the driver tabs. See the following table for specific printing options.

NOTE:

- In Windows, you can save current printing options with a distinctive name and apply them to other print jobs. Make selections on the **Paper / Output**, **Image Options**, **Layout**, **Watermarks**, or **Advanced Settings** tab, and then click **Save** under **Saved Settings** on the **Paper / Output** tab. Click **Help** for more information.

- 4 Click **OK** to save your selections.
- 5 Print the job.

See the following table for specific printing options:

Printing Options for Windows

Operating System	Driver Tab	Printing Options
Windows XP, Windows XP x 64bit, Windows Server 2003, Windows Server 2003 x 64bit, Windows Vista, Windows Vista x 64bit, Windows Server 2008, Windows Server 2008 x 64bit, Windows Server 2008 R2, Windows 7, or Windows 7 x 64bit	Paper / Output tab	<ul style="list-style-type: none"> • Saved Settings • 2 Sided Print • Output Color • Quantity • Collated • Paper Summary • Paper Size • Paper Type • Feed Orientation • Envelope/Paper Setup Navigator • Printer Status • Defaults
	Image Options tab	<ul style="list-style-type: none"> • Output Color • Output Recognition • Image Adjustment Mode • Image Types • Image Auto Correction • Image Settings • Color Balance • Profile Settings • Defaults
	Layout tab	<ul style="list-style-type: none"> • Image Orientation • Multiple-Up • Booklet / Poster / Mixed Document / Rotation • Fit to New Paper Size • Specify Zoom • Image Shift / Print Position • Defaults
Windows XP, Windows Server 2003, Windows Vista, Windows Server 2008, or Windows 7	Watermarks tab	<ul style="list-style-type: none"> • Watermarks <ul style="list-style-type: none"> – New Watermark – Edit Watermark – Delete Watermark – Apply to First Page Only • Annotation • Defaults
	Advanced Settings tab	<ul style="list-style-type: none"> • Skip Blank Pages • Draft Mode • Other Settings (Graphics Settings) <ul style="list-style-type: none"> – Items – Settings for – Paper Tray Selection Method • About • Defaults

Selecting Options for an Individual Job (Mac OS X)

To select print settings for a particular job, change the driver settings before sending the job to the printer.

- 1 With the document open in your application, click **File**, and then click **Print**.
- 2 Select the DocuPrint CP105 b from **Printer**.
- 3 Select the desired printing options from the menus and drop-down lists that are displayed.

NOTE:

- In Mac OS® X, click **Save As** on the **Presets** menu screen to save the current printer settings. You can create multiple presets and save each with its own distinctive name and printer settings. To print jobs using specific printer settings, click the applicable saved preset in the **Presets** list.

- 4 Click **Print** to print the job.

Mac OS X Print Driver Printing Options:

The table shown below uses Mac OS X 10.6 TextEdit as an example.

Printing options for Mac OS X

Item	Printing Options
	<ul style="list-style-type: none">• Copies• Collated• Pages• Paper Size• Orientation
Layout	<ul style="list-style-type: none">• Pages per Sheet• Layout Direction• Border• Two-Sided
Color Matching	<ul style="list-style-type: none">• ColorSync• Vendor Matching
Paper Handling	<ul style="list-style-type: none">• Pages to Print• Page Order• Destination Paper Size
Cover Page	<ul style="list-style-type: none">• Print Cover Page• Cover Page Type• Billing Info
Scheduler	<ul style="list-style-type: none">• Print Document• Priority
Job Accounting	<ul style="list-style-type: none">• Account Mode
Image Settings	<ul style="list-style-type: none">• Brightness• Contrast• Chroma

Item	Printing Options
Printer Features	<ul style="list-style-type: none">• Basic<ul style="list-style-type: none">– Output Color– Paper Type• Detailed Settings 1<ul style="list-style-type: none">– Image Type– Image Rotation (180deg)– Skip Blank Pages– Draft Mode– Trapping– Image Enhancement• Detailed Settings 2<ul style="list-style-type: none">– Sharpness Adjustment– Screen• Color Balance (C/M/Y/K)<ul style="list-style-type: none">– Low Density– Medium Density– High Density
Summary	

■ Printing Custom Size Paper

This section explains how to print on custom size paper using the print driver.

The way to load custom size paper in the MPF is the same as the one to load standard size paper.

See also:

- ["Loading Print Media in the Multipurpose Feeder \(MPF\)" on page 75](#)

Defining Custom Paper Sizes

Before printing, set the custom size on the print driver.

NOTE:

- When setting the paper size on the print driver, be sure to specify the same size as the actual print media used. Setting the wrong size for printing can cause printer failure. This is especially true if you configure a bigger size when using a narrow width paper.

• Using the Windows Print Driver

On the Windows print driver, set the custom size in the **Custom Paper Size** dialog box. This section explains the procedure using Windows XP as an example.

For Windows XP or later, an administrator's password only allows users with administrator rights to change the settings. Users without the rights of administrator can only view the contents.

- 1 Click **start** → **Printers and Faxes**.
- 2 Right-click the icon for your printer, and then select **Properties**.
- 3 Select the **Configuration** tab.
- 4 Click **Custom Paper Size**.
- 5 Select the custom setup you want to define from **Details**.
- 6 Specify the length of the short edge and long edge under **Settings for**. You can specify the values either by entering them directly or using the up arrow and down arrow buttons. The length of the short edge cannot be longer than the long edge, even if it is within the specified range. The length of the long edge cannot be shorter than the short edge, even if it is within the specified range.
- 7 To assign a paper name, select the **Name Paper Size** check box, and then enter the name in **Paper Name**. Up to 14 characters can be used for the paper name.
- 8 If necessary, repeat steps 5 to 7 to define another custom size.
- 9 Click **OK** twice.

Printing on Custom Size Paper

Use the following procedures to print using either the Windows or Mac OS X print drivers.

• Using the Windows Print Driver

This section explains the procedure using Windows XP WordPad as an example.

NOTE:

- The way to display the printer **Properties/Printing Preferences** dialog box differs according to the application software. Refer to the manual of your respective application software.

- 1 From the **File** menu, select **Print**.
- 2 Select the printer as the printer to be used and click **Preferences**.
- 3 Select the **Paper / Output** tab.
- 4 Select the size of the original document from **Paper Size**.
- 5 Select the appropriate paper type from **Paper Type**.
- 6 Click the **Layout** tab.
- 7 From **Fit to New Paper Size**, select the custom size you defined. If you have selected the custom size from **Paper Size** in step 4, select **Same as Paper Size**.
- 8 Click **OK**.
- 9 Click **Print** in the **Print** dialog box to start printing.

• Using the Mac OS X Print Driver

This section explains the procedure using Mac OS X 10.6 TextEdit as an example.

- 1 From the **File** menu, select **Page Setup**.
- 2 Select the printer as the printer to be used from **Format For**.
- 3 From **Paper Size**, select **Manage Custom Sizes**.
- 4 In the **Custom Paper Sizes** window, click **+**.
A newly created setting "Untitled" is displayed in the list.
- 5 Double-click "Untitled" and enter a name for the setting.
- 6 Enter the size of the original document in the **Width** and **Height** boxes of **Paper Size**.
- 7 Specify **Non-Printable Area** if necessary.
- 8 Click **OK**.
- 9 Make sure that the newly created paper size is chosen in **Paper Size**, and then click **OK**.
- 10 From the **File** menu, select **Print**.
- 11 Click **Print** to start printing.

■ Checking Status of Print Data

This section includes:

- ["Checking Status \(Windows Only\)" on page 98](#)

Checking Status (Windows Only)

You can check the printer status with SimpleMonitor. Double-click the SimpleMonitor printer icon on the taskbar at the bottom right of the screen. The **Select Printer** window appears, which displays the printer name, printer connection ports, and printer status. Check the column **Status** to know the current status of your printer.

Status Settings button: Displays the **Status Settings** screen and allows you to modify the SimpleMonitor settings.

Click the name of the desired printer listed on the **Select Printer** window. The **Status Monitor** window appears. You can check the printer status and print job status.

For more information about SimpleMonitor, see Help. The following procedure uses Windows XP as an example:

- 1 Click **start** → **All Programs**.
- 2 Select **Fuji Xerox**.
- 3 Select **SimpleMonitor for Asia-Pacific**.
- 4 Select **SimpleMonitor Help**.

See also:

- ["SimpleMonitor \(Windows Only\)" on page 46](#)

■ Printing a Report Page

To confirm your printer settings, print a report page.

This section describes two methods of printing a report page.

Printing a Printer Settings Page

To verify detailed printer settings, print a Printer Settings page.

The Operator Panel

- 1 Press and hold the  (**Start**) button when the  (**Ready/Data**) indicator lights (ready status) until the  (**Ready/Data**) indicator blinks.

The Printer Settings page, Panel Settings page, and Error History Report are printed.

The Printer Setting Utility

The following procedure uses Windows XP as an example.

- 1 Click **start** → **All Programs** → **Fuji Xerox** → **Fuji Xerox Printer Software for Asia-Pacific** → **FX DocuPrint CP105 b** → **Printer Setting Utility**.

NOTE:

- The **Select Printer** window appears in this step, when multiple print drivers are installed on your computer. In this case, click the name of the desired printer listed in **Printer Name**.

The Printer Setting Utility appears.

- 2 Click the **Printer Settings Report** tab.
- 3 Select **Information Pages** from the list at the left side of the page.
The **Information Pages** page is displayed.
- 4 Click **Printer Settings**.
The Printer Settings page is printed.

■ Printer Settings

You can select menu items and corresponding values from the Printer Setting Utility. The following procedure uses Windows XP as an example.

NOTE:

- Factory defaults may vary for different countries.
These settings are active until new ones are selected or the factory defaults are restored.

To select a new value as a setting:

- 1 Click **start** → **All Programs** → **Fuji Xerox** → **Fuji Xerox Printer Software for Asia-Pacific** → **FX DocuPrint CP105 b** → **Printer Setting Utility**.

NOTE:

- The **Select Printer** window appears in this step, when multiple print drivers are installed on your computer. In this case, click the name of the desired printer listed in **Printer Name**.

The Printer Setting Utility appears.

- 2 Click the **Printer Maintenance** tab.

- 3 Select the desired menu item.

Each menu item has a list of values for the menu item. A value can be:

- A phrase or word to describe a setting
- A numerical value that can be changed
- An On or Off setting

- 4 Select the desired value, and then click the associated button with each menu item.

Driver settings may have precedence over changes previously made and may require you to change the Printer Setting Utility defaults.


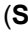
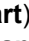


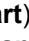

Using the Operator Panel

This chapter includes:

- ["Resetting to Factory Defaults" on page 102](#)
- ["Understanding the Operator Panel Lights" on page 103](#)

Resetting to Factory Defaults

After Initializing the Non-Volatile Memory (NVM) and rebooting the printer, all the menu parameters or data are reset to their factory default values.

- 1 Turn off the printer.
- 2 Open the rear door.
- 3 While holding down the  (**Start**) button and the  (**Cancel Job**) button at the same time, turn on the printer.
- 4 After the  (**Start**),  (**Energy Saver**), and  (**Error**) indicators go out, release the  (**Start**) button and  (**Cancel Job**) button.
- 5 Close the rear door.

The printer starts initializing the NVM.

IMPORTANT:

- Never attempt to turn off the printer. The printer will cease to function.

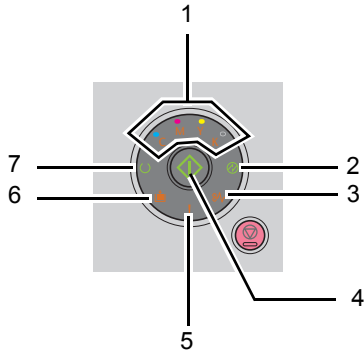
The printer restarts automatically to apply the settings and prints the Printer Settings and Panel Settings pages.

- 6 Check if the factory settings are restored by referring to the Printer Settings and Panel Settings pages.

Understanding the Operator Panel Lights

The operator panel lights mean different things, depending on their sequence. Orange or green lights that are off, on, and/or blinking indicate printer conditions such as printer status, intervention (for example, out of paper), or service.


Off	On	Blink
—	●	☀
—	●	☀



■ Common Light Sequences

The following table shows the most common light status.

1	2	3	4	5	6	7	Printer Status
Toner	Energy Saver	Jam	Start	Error	Load Paper	Ready/ Data	
—	—	—	—	—	—	●	Ready
—	—	—	—	—	—	☀	Processing
—	—	—	—	—	—	☀	Printing
—	☀	—	—	—	—	☀	Canceling
—	—	—	—	—	—	☀	Calibrating
—	—	—	—	—	—	☀	Warming up
—	—	—	—	—	—	☀	Waiting for incoming data
—	—	—	—	—	—	☀	Initializing NVM
—	—	—	—	—	—	☀	On Diagnosis when starting
—	●	—	—	—	—	—	In Power Saver Mode
—	—	—	☀	—	—	●	Waiting for manual duplex printing. ^{*1}

^{*1} Load paper for the second side (odd) pages, and press the  (**Start**) button. See "[Manual Duplex Printing \(Windows Print Driver Only\)](#)" on page 84.

■ Warnings

The following table shows the warning conditions. You can continue printing even though the warning appears.

1				2	3	4	5	6	7	Printer Status
Toner				Energy Saver	Jam	Start	Error	Load Paper	Ready/Data	
Y	M	C	K							
	—	—	—	—	—	—	*1	—	*2	The yellow toner is low.*3
—		—	—	—	—	—	*1	—	*2	The magenta toner is low.*3
—	—		—	—	—	—	*1	—	*2	The cyan toner is low.*3
—	—	—		—	—	—	*1	—	*2	The black toner is low.*3
				—	—	—	—	—	*2	The printer is in the Non Genuine Toner mode.
	—	—	—	—	—	—	—	—	*2	The yellow toner is empty.*4
—		—	—	—	—	—	—	—	*2	The magenta toner is empty.*4
—	—		—	—	—	—	—	—	*2	The cyan toner is empty.*4

*1 When another error occurs, **!** (**Error**) indicator lights up and the toner indicators do not light up.

*2 The (**Ready/Data**) indicator blinks or lights up green depending on the printer status.

*3 This warning appears only when Fuji Xerox toner cartridges are used (**Non Genuine Toner** is set to off at the Printer Setting Utility).


*4 In this case, you can continue printing in black and white.




■ Operator Call Errors

The following table shows the location where an error occurred. Operator call errors require some kind of intervention to resolve the problem.

1				2	3	4	5	6	7	Cause/Remedy
Toner				Energy Saver	Jam	Start	Error	Load Paper	Ready/Data	
Y	M	C	K							
—	—	—	—	—	—				—	No paper is loaded. Load paper and press the (Start) button. See "Loading Print Media" on page 72.
—	—	—	—	—		—		—	—	Paper jam occurred. See "Clearing Jams" on page 112.
—	—	—	—	—	—	—		—	—	The rear door is open. Close the rear door.
—	—	—	—	—	—				—	The wrong size of paper is loaded. See "Loading Print Media" on page 72.
—	—	—	—	—	—	—		—	—	An error occurred. Press and hold the (Start) button to display the secondary error light sequences.
	—	—	—	—	—	—		—	—	The specified toner cartridge is not installed or not installed correctly. Re-install the specified toner cartridge. See "Installing a Toner Cartridge" on page 164.
—		—	—	—	—	—		—	—	
—	—		—	—	—	—		—	—	
—	—	—		—	—	—		—	—	
	—	—	—	—	—	—		—	—	The specified toner cartridge is empty or invalid. Replace the specified toner cartridge. See "Replacing Toner Cartridges" on page 161.
—		—	—	—	—	—		—	—	
—	—		—	—	—	—		—	—	
—	—	—		—	—	—		—	—	
	—	—	—	—	—	—		—	—	The density of the specified toner is not enough. Replace the specified toner cartridge. See "Replacing Toner Cartridges" on page 161.
—		—	—	—	—	—		—	—	
—	—		—	—	—	—		—	—	
—	—	—		—	—	—		—	—	

■ Secondary light sequences

When the **!** (**Error**) indicator lights up, a secondary error has occurred. Press and hold the  (**Start**) button to display the secondary error light sequences.


1				2	3	4	5	6	7	Cause/Remedy
Toner				Energy Saver	Jam	Start	Error	Load Paper	Ready/Data	
Y	M	C	K							
—	—	—	●	●	—	—	●	●	—	Memory overflow Press the  (Cancel Job) button to clear the message and cancel the current print job. See "Canceling a Print Job" on page 90.
—	—	●	—	●	—	—	●	●	—	Page Description Language (PDL) error Press the  (Cancel Job) button to clear the message and cancel the current print job. See "Canceling a Print Job" on page 90.
—	●	—	—	●	—	—	●	●	—	Invalid job environment The configuration of the printer set on the print driver does not match the configuration of your printer. Press the  (Cancel Job) button to cancel the current print job. See "Canceling a Print Job" on page 90.
●	—	—	—	●	—	—	●	●	—	Color Toner Density (CTD) sensor dustiness Clean the CTD sensor. See "Cleaning the Color Toner Density (CTD) Sensor" on page 160.

■ Fatal Errors

Contact the Fuji Xerox local representative office or an authorised dealer if this error occurs repeatedly.

See also:

- ["Online Services" on page 181](#)


1	2	3	4	5	6	7	Cause/Remedy
Toner	Energy Saver	Jam	Start	Error	Load Paper	Ready/Data	
—	—	—	—		—	—	A fatal error occurred. Turn off the printer, and then on.

■ Firmware Errors

Contact the Fuji Xerox local representative office or an authorised dealer if this error occurs repeatedly.

See also:

- ["Online Services" on page 181](#)

1				2	3	4	5	6	7	Cause/Remedy
Toner				Energy Saver	Jam	Start	Error	Load Paper	Ready/Data	
Y	M	C	K							
—	—	—	●	—	—	—	●	●	—	A firmware error occurred. Press the  (Cancel Job) button to clear the error. See "Canceling a Print Job" on page 90 .
—	—	●	●	—	—	—	●	●	—	A ROM erasing error occurred. Turn off the printer, and then on.
—	●	●	●	—	—	—	●	●	—	A ROM writing error occurred. Turn off the printer, and then on.
●	●	●	●	—	—	—	●	●	—	An error occurred while downloading the firmware. Turn off the printer, and then on.

Troubleshooting

This chapter includes:

- ["Clearing Jams" on page 112](#)
- ["Basic Printer Problems" on page 121](#)
- ["Display Problems" on page 122](#)
- ["Printing Problems" on page 123](#)
- ["Print Quality Problems" on page 124](#)
- ["Adjusting Color Registration" on page 141](#)
- ["Noise" on page 146](#)
- ["Other Problems" on page 147](#)
- ["Contacting Service" on page 148](#)
- ["Getting Help" on page 149](#)
- ["Non Genuine Toner Mode" on page 153](#)

Clearing Jams

This section includes:

- ["Avoiding Jams" on page 113](#)
- ["Identifying the Location of Paper Jams" on page 114](#)
- ["Clearing Paper Jams From the Front of the Printer" on page 115](#)
- ["Clearing Paper Jams From the Back of the Printer" on page 116](#)
- ["Clearing Paper Jams From the Center Output Tray" on page 118](#)
- ["Jam Problems" on page 120](#)

Careful selection of appropriate print media and proper loading allow you to avoid most jams.

See also:

- ["About Print Media" on page 64](#)
- ["Supported Print Media" on page 68](#)

NOTE:

- Before buying large quantities of any print media, it is recommended that you try a sample first.

■ Avoiding Jams

- Use only recommended print media.
- See "[Loading Print Media in the Multipurpose Feeder \(MPF\)](#)" on page 75 to load print media properly.
- Do not overload the print media sources. Ensure that the stacked print media does not exceed the maximum height indicated on the paper width guides.
- Do not load wrinkled, creased, damp, or curled print media.
- Flex, fan, and straighten print media before you load it. If a jam occurs with print media, try feeding one sheet at a time through the MPF.
- Do not use print media that you have cut or trimmed.
- Do not mix print media sizes, weights, or types in the same print media source.
- Ensure that the recommended print side is face up when you insert the print media.
- Keep print media stored in an acceptable environment.
- Ensure that all cables that connect to the printer are correctly attached.
- Overtightening the guides may cause jams.

See also:

- "[About Print Media](#)" on page 64
- "[Supported Print Media](#)" on page 68
- "[Print Media Storage Guidelines](#)" on page 67

■ Identifying the Location of Paper Jams

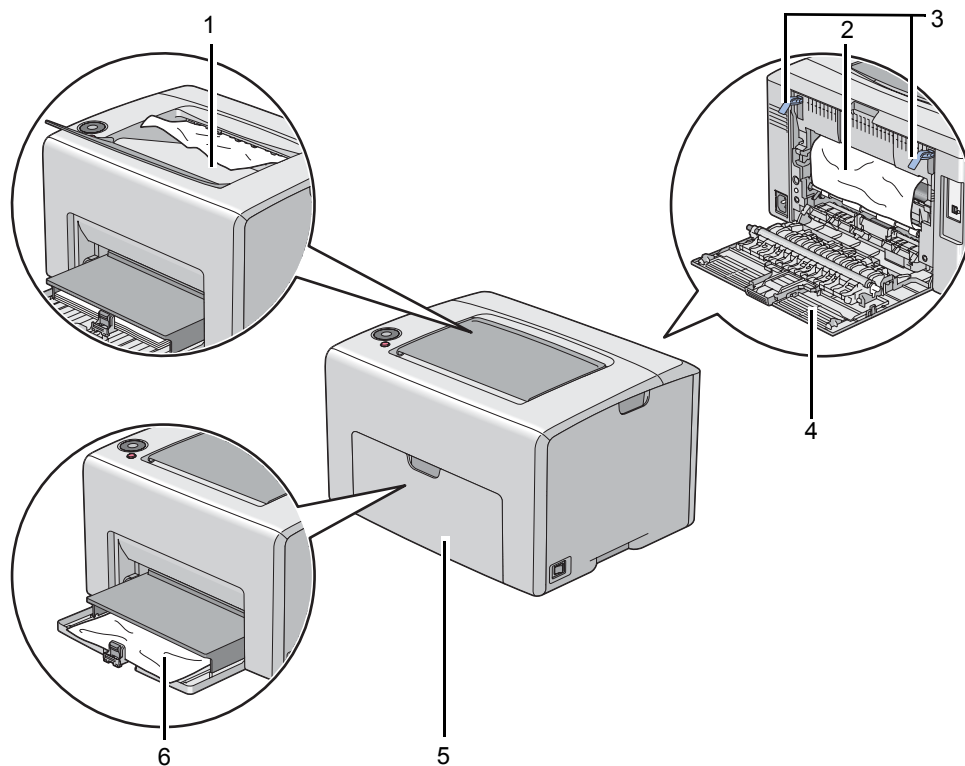
CAUTION:

- Do not attempt to remove a paper jammed deeply inside the product, particularly a paper wrapped around a Fusing Unit or a heat roller. Otherwise, it may cause injuries or burns. Switch off the product promptly and contact your local Fuji Xerox representative.

IMPORTANT:

- Do not attempt to clear any jams using tools or instruments. This may permanently damage the printer.

The following illustration shows where paper jams may occur along the print media path.



1 Center Output Tray

2 Transfer Belt

3 Levers

4 Rear Door

5 Front Cover

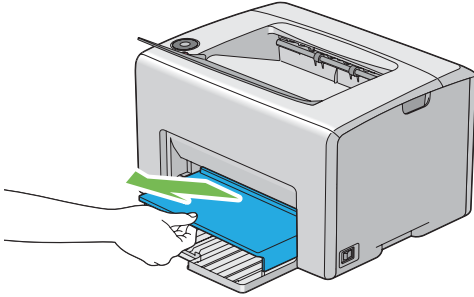
6 Multipurpose feeder (MPF)

■ Clearing Paper Jams From the Front of the Printer

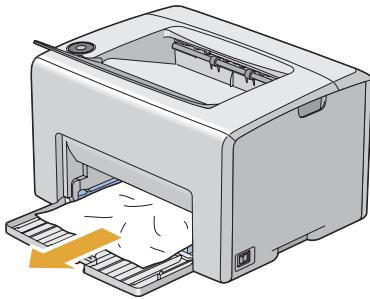
NOTE:

- To resolve the error displayed on the operator panel, you must clear all print media from the print media path.

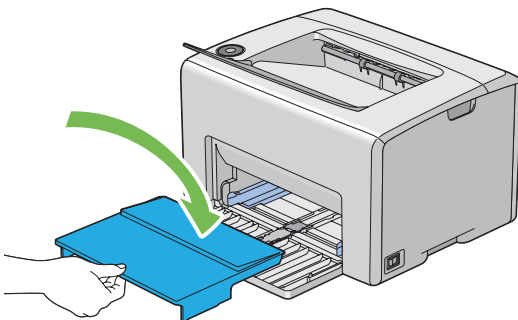
- 1 Pull the paper cover out.



- 2 Remove any paper jammed from the front of the printer.



- 3 Replace the paper cover in the printer.



IMPORTANT:

- Do not use excessive force on the paper cover. Doing so could damage it or the inside of the printer.

■ Clearing Paper Jams From the Back of the Printer

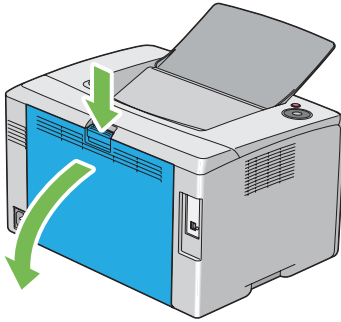
IMPORTANT:

- To prevent electric shock, always turn off the printer and disconnect the power cord from the grounded outlet before performing maintenance.
- To avoid burns, do not clear paper jams immediately after printing. The fusing unit becomes extremely hot during use.

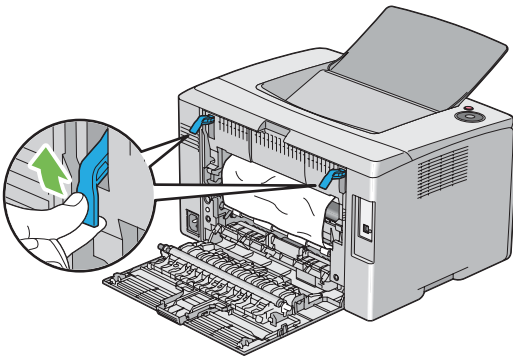
NOTE:

- To resolve the error displayed on the operator panel, you must clear all print media from the print media path.

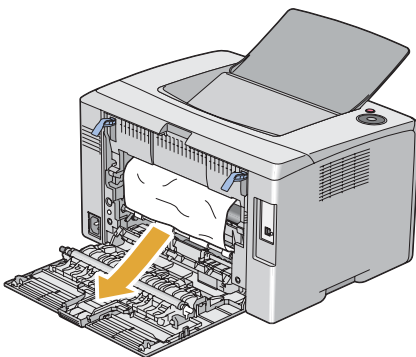
- 1 Push the rear cover handle and open the rear door.



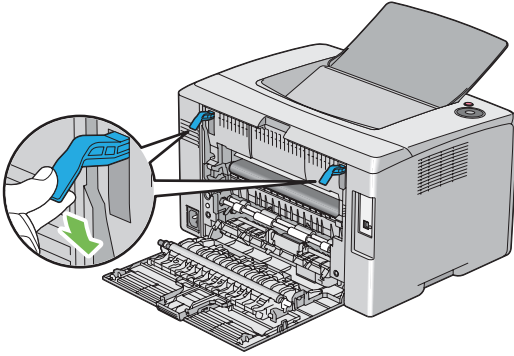
- 2 Lift up the levers.



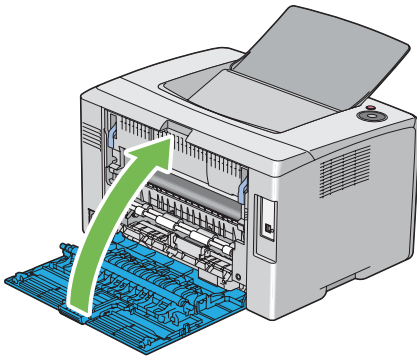
- 3 Remove any paper jammed from the back of the printer.



4 Lower the levers to their original position.



5 Close the rear door.



■ Clearing Paper Jams From the Center Output Tray

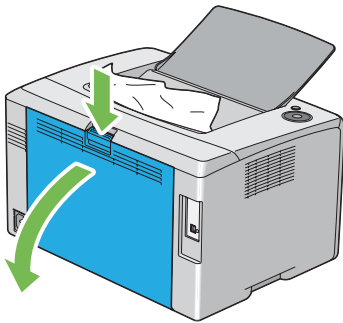
IMPORTANT:

- To prevent electric shock, always turn off the printer and disconnect the power cord from the grounded outlet before performing maintenance.
- To avoid burns, do not clear paper jams immediately after printing. The fusing unit becomes extremely hot during use.

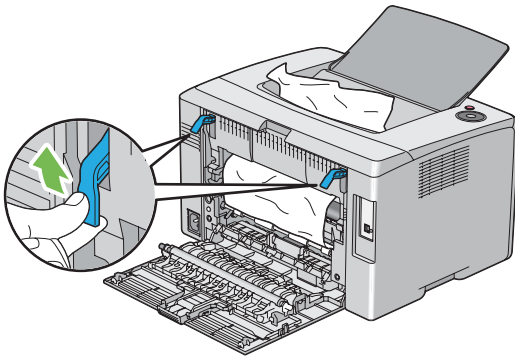
NOTE:

- To resolve the error displayed on the operator panel, you must clear all print media from the print media path.

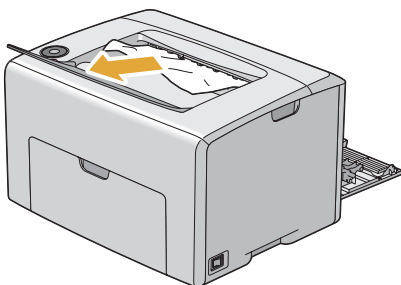
- 1 Push the rear cover handle and open the rear door.



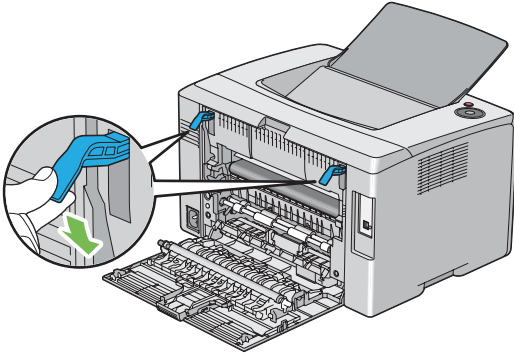
- 2 Lift up the levers.



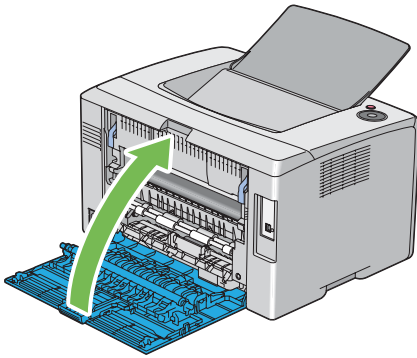
- 3 Remove any paper jammed from the back of the printer. If no paper is found in the paper path, then remove any paper jammed out of the center output tray.



- 4 Lower the levers to their original position.



- 5 Close the rear door.



■ Jam Problems

This section includes:

- ["Misfeed jam" on page 120](#)
- ["Multi-feed jam" on page 120](#)

Misfeed jam

Problem	Action
Print media misfeeds occur.	Ensure that the paper is properly inserted in the MPF. Depending on the print media you use, take any of the following actions: <ul style="list-style-type: none">• For thick paper, use the one that is 216 gsm or less.• For thin paper, use the one that is 60 gsm or more.• For the envelope, ensure that it is properly loaded in the MPF as instructed in "Loading Envelope in the Multipurpose Feeder (MPF)" on page 79. <hr/> If the envelope is deformed, correct it or use another envelope. <hr/> If performing manual duplex printing, ensure that the print media is not curled. <hr/> Fan the print media. <hr/> If the print media is damp, turn over the print media. <hr/> If the problem continues, use print media that is not damp.

NOTE:

- If the problem continues even though you have taken suggested actions described above, contact the Fuji Xerox local representative office or an authorised dealer.

Multi-feed jam

Problem	Action
Print media multiple feeds occur.	Ensure that the paper is inserted properly in the MPF. If the print media is damp, use print media that is not damp. <hr/> Fan the print media.

NOTE:

- If the problem continues even though you have taken suggested actions described above, contact the Fuji Xerox local representative office or an authorised dealer.


Basic Printer Problems

Some printer problems can be easy to resolve. If a problem occurs with your printer, check each of the following:


- The power cord is connected to the printer, and to a properly grounded electrical outlet.
- The printer is turned on.
- The electrical outlet is not turned off at any switch or breaker.
- Other electrical equipment plugged into the outlet is working.

If you have checked all of the above and still have a problem, turn off the printer, wait for 10 seconds, and then turn on the printer. This often fixes the problem.

Display Problems

Problem	Action
After the printer is turned on, the  (Ready/Data) indicator is not lit.	Turn off the printer, wait for 10 seconds, and turn on the printer.

Printing Problems

Problem	Action
Job did not print or incorrect characters printed.	<p>Ensure that the  (Ready/Data) indicator is lit.</p> <p>Ensure that print media is loaded in the printer.</p> <p>Verify that you are using the correct print driver.</p> <p>Ensure that you are using the correct USB cable and that it is securely connected to the printer.</p> <p>Verify that the correct print media size is selected.</p> <p>If you are using a print spooler, verify that the spooler has not stalled.</p>
Print media misfeeds or multiple feeds occur.	<p>Ensure that the print media you are using meets the specifications for your printer.</p> <p>See also:</p> <ul style="list-style-type: none"> • "Usable Print Media" on page 69 <p>Fan the print media before loading it.</p> <p>Ensure that the print media is loaded correctly.</p> <p>Ensure that the paper width guides and length guide are adjusted correctly.</p> <p>Do not overfill the print media sources.</p> <p>Do not force print media into the MPF when you load it.</p> <p>Otherwise, it may skew or buckle.</p> <p>Ensure that the print media is not curled.</p> <p>Load the recommended print side correctly for the type of print media you are using.</p> <p>See also:</p> <ul style="list-style-type: none"> • "Loading Print Media" on page 72 <p>Turn the print media over or around and try printing again to see if feeding improves.</p> <p>Do not mix print media types.</p> <p>Do not mix reams of print media.</p> <p>Remove the top and bottom curled sheets of a ream before loading the print media.</p> <p>Load a print media source only when it is empty.</p>
The envelope is creased after printing.	<p>Ensure that the envelope is loaded as instructed in "Loading Envelope in the Multipurpose Feeder (MPF)" on page 79.</p>
Page breaks in unexpected places.	<p>Increase the value for Job Time-Out in the System Settings menu, that is on the Printer Maintenance tab in the Printer Setting Utility.</p>
Print media does not stack neatly in the center output tray.	<p>Turn the print media stack over in the MPF.</p>
Job prints from the wrong source or on the wrong print media.	<p>Check Paper Type in the print driver.</p>

Print Quality Problems

This section includes:

- ["The Output Is Too Light" on page 125](#)
- ["Toner Smears or Print Comes Off/Stain on Back Side" on page 126](#)
- ["Random Spots/Blurred Images" on page 127](#)
- ["The Entire Output Is Blank" on page 128](#)
- ["Streaks Appear on the Output" on page 129](#)
- ["Pitched Color Dots" on page 130](#)
- ["Vertical Blanks" on page 131](#)
- ["Mottle" on page 132](#)
- ["Ghosting" on page 133](#)
- ["Fog" on page 134](#)
- ["Bead-Carry-Out \(BCO\)" on page 135](#)
- ["Auger Mark" on page 136](#)
- ["Wrinkled/Stained Paper" on page 137](#)
- ["The Top Margin Is Incorrect" on page 138](#)
- ["Color Registration Is out of Alignment" on page 139](#)
- ["Protrudent/Bumpy Paper" on page 140](#)

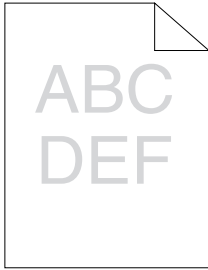
NOTE:

- In this section, some procedures use the Printer Setting Utility or SimpleMonitor.

See also:

- ["Printer Setting Utility \(Windows Only\)" on page 45](#)
- ["SimpleMonitor \(Windows Only\)" on page 46](#)

■ The Output Is Too Light

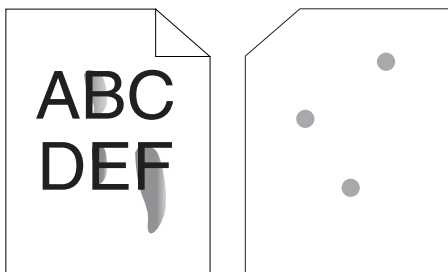


Problem	Action
The output is too light.	<p>The toner cartridges may be low or need to be replaced. Confirm the amount of toner in each toner cartridge.</p> <ol style="list-style-type: none"><li data-bbox="552 581 1208 633">1 Check the toner level in the Status tab in the Status Monitor window.<li data-bbox="552 645 1023 670">2 Replace the toner cartridges as necessary. <hr/> <p>Verify that the print media is dry and the correct print media is used. If not, use the print media recommended for the printer.</p> <p>See also:</p> <ul style="list-style-type: none"><li data-bbox="552 813 924 838">• "Usable Print Media" on page 69 <hr/> <p>Try changing the Paper Type setting in the print driver.</p> <ol style="list-style-type: none"><li data-bbox="552 884 1245 937">1 On the Paper / Output tab in Printing Preferences of the print driver, change the Paper Type setting. <hr/> <p>Disable Draft Mode in the print driver.</p> <ol style="list-style-type: none"><li data-bbox="552 1031 1270 1083">1 On the Advanced Settings tab in Printing Preferences of the print driver, ensure that the Draft Mode check box is not selected.

NOTE:

- If the problem continues even though you have taken suggested actions described above, contact the Fuji Xerox local representative office or an authorised dealer.

■ Toner Smears or Print Comes Off/Stain on Back Side

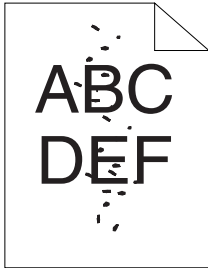


Problem	Action
Toner smears or print comes off. The output has stain on the back side.	<p>The print media surface may be uneven. Try changing the Paper Type setting in the print driver. For example, change Plain to Lightweight Cardstock.</p> <ol style="list-style-type: none">1 On the Paper / Output tab in Printing Preferences of the print driver, change the Paper Type setting.
	<p>Verify that the correct print media is being used. If not, use the print media recommended for the printer.</p> <p>See also:</p> <ul style="list-style-type: none">• "Usable Print Media" on page 69
	<p>Adjust the temperature of the fusing unit.</p> <ol style="list-style-type: none">1 Launch the Printer Setting Utility, and click Adjust Fusing Unit on the Printer Maintenance tab.2 Adjust the fixing temperature by turning up the value for your printing media.3 Click the Apply New Settings button.

NOTE:

- If the problem continues even though you have taken suggested actions described above, contact the Fuji Xerox local representative office or an authorised dealer.

■ Random Spots/Blurred Images

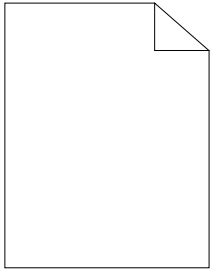


Problem	Action
The printed result has random spots or is blurred.	Ensure that the toner cartridges are installed correctly. See also: <ul style="list-style-type: none"><li data-bbox="550 606 1023 631">• "Installing a Toner Cartridge" on page 164
	If you use non-genuine brand toner cartridges, install genuine brand toner cartridges.
	Clean up the fusing unit. <ol style="list-style-type: none"><li data-bbox="550 755 1263 807">1 Load one sheet of paper on the MPF, and then print a solid image all over paper.<li data-bbox="550 821 1263 873">2 Load the printed sheet with the side to be printed on facing down, and then print a blank sheet of paper.

NOTE:

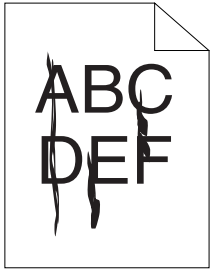
- If the problem continues even though you have taken suggested actions described above, contact the Fuji Xerox local representative office or an authorised dealer.

■ The Entire Output Is Blank



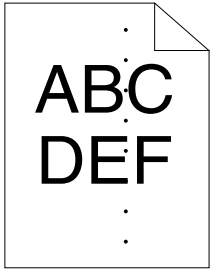
If this trouble happens, contact the Fuji Xerox local representative office or an authorised dealer.

■ Streaks Appear on the Output



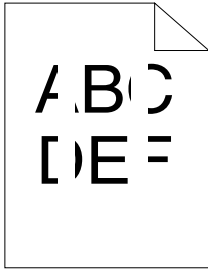
If this trouble happens, contact the Fuji Xerox local representative office or an authorised dealer.

■ Pitched Color Dots



If this trouble happens, contact the Fuji Xerox local representative office or an authorised dealer.

■ Vertical Blanks



Problem	Action
The printed result has vertical blanks.	Clean inside the printer and perform test print. 1 Clean inside the printer by using the print head cleaning rod. 2 Click Print Test Page in the Properties window of the print driver. See also: <ul style="list-style-type: none">• "Cleaning Inside the Printer" on page 157

NOTE:

- If the problem continues even though you have taken suggested actions described above, contact the Fuji Xerox local representative office or an authorised dealer.

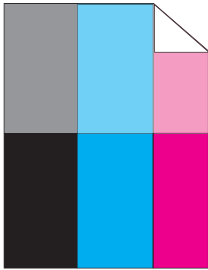
■ Mottle

Problem	Action
The printed result has mottled appearance.	Adjust the transfer bias. <ol style="list-style-type: none">1 Launch the Printer Setting Utility, click Adjust BTR on the Printer Maintenance tab.2 Adjust the setting for the type of print media being used.3 Click the Apply New Settings button.
	If you use non-recommended print media, use the print media recommended for the printer.

NOTE:

- If the problem continues even though you have taken suggested actions described above, contact the Fuji Xerox local representative office or an authorised dealer.

■ Ghosting



Problem	Action
The printed result has ghosting.	<p>Adjust the transfer bias.</p> <ol style="list-style-type: none">1 Launch the Printer Setting Utility, and click Chart Print on the Diagnosis tab.2 Click the Ghost Configuration Chart button. The Ghost Configuration Chart is printed.3 Click BTR Refresh Mode on the Printer Maintenance tab.4 Select the check box next to On, and then click the Apply New Settings button.5 Click Chart Print on the Diagnosis tab.6 Click the Ghost Configuration Chart button. The Ghost Configuration Chart is printed.
	<p>The print media surface may be uneven. Try changing the Paper Type setting in the print driver. For example, change Plain to Lightweight Cardstock.</p> <ol style="list-style-type: none">1 On the Paper / Output tab in Printing Preferences of the print driver, change the Paper Type setting.
	<p>Adjust the temperature of the fusing unit.</p> <ol style="list-style-type: none">1 Launch the Printer Setting Utility, and click Adjust Fusing Unit on the Printer Maintenance tab.2 Adjust the fixing temperature by turning up the value for your printing media.3 Click the Apply New Settings button.
	<p>If you use non-recommended print media, use the print media recommended for the printer.</p>

NOTE:

- If the problem continues even though you have taken suggested actions described above, contact the Fuji Xerox local representative office or an authorised dealer.

■ Fog

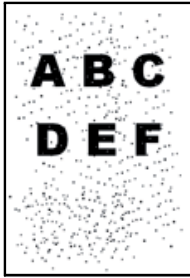


Problem	Action
The printed result is foggy.	When the whole is printed light, contact the Fuji Xerox local representative office or an authorised dealer. When the printed page is partly light, start Developer Stir Mode . 1 Launch the Printer Setting Utility, and click Developer Stir Mode on the Diagnosis tab. 2 Click the Start button.

NOTE:

- If the problem continues even though you have taken suggested actions described above, contact the Fuji Xerox local representative office or an authorised dealer.

■ Bead-Carry-Out (BCO)

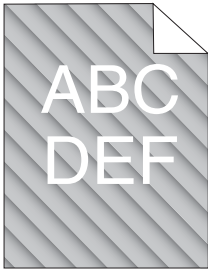


Problem	Action
Bead-Carry-Out (BCO) is happening.	If the printer is installed in a high altitude location, set the altitude of the location. <ol style="list-style-type: none"><li data-bbox="552 591 1270 645">1 Launch the Printer Setting Utility, and click Adjust Altitude on the Printer Maintenance tab.<li data-bbox="552 654 1222 709">2 Select the value close to the altitude of the location where the printer is installed.<li data-bbox="552 718 971 739">3 Click the Apply New Settings button.

NOTE:

- If the problem continues even though you have taken suggested actions described above, contact the Fuji Xerox local representative office or an authorised dealer.

■ Auger Mark

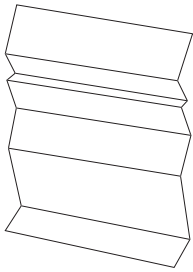


Problem	Action
The printed result has auger mark.	<p>The toner cartridges may be low or need to be replaced. Confirm the amount of toner in each toner cartridge.</p> <ol style="list-style-type: none">1 Check the toner level in the Status tab in the Status Monitor window.2 Replace the toner cartridges as necessary. <hr/> <p>Start Developer Stir Mode.</p> <ol style="list-style-type: none">1 Launch the Printer Setting Utility, and click Developer Stir Mode on the Diagnosis tab.2 Click the Start button.

NOTE:

- If the problem continues even though you have taken suggested actions described above, contact the Fuji Xerox local representative office or an authorised dealer.

■ Wrinkled/Stained Paper

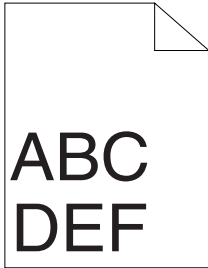


Problem	Action
The output is wrinkled. The output is stained.	Verify that the correct print media is being used. If not, use the print media recommended for the printer. See also: <ul data-bbox="550 639 927 707" style="list-style-type: none">• "Usable Print Media" on page 69• "About Print Media" on page 64 <hr/> <p data-bbox="543 720 1256 774">If you use the envelope, check whether the crease is within 30 mm of the four edges of the envelope.</p> <p data-bbox="543 788 1256 842">If the crease is within 30 mm of the four edges of the envelope, this is considered normal. Your printer is not at fault.</p> <p data-bbox="543 855 872 879">If not, take the following actions:</p> <ul data-bbox="550 892 1277 1103" style="list-style-type: none">• If the envelope is #10 envelope, which is 220 mm or longer and has a flap on the long edge, use a different size envelope.• If the envelope is C5, which is 220 mm or longer and has a flap on the short edge, load it in the MPF with the flap open and facing up.• If the envelope is Monarch or DL, which is shorter than 220 mm, load it long edge feed in the MPF with the flap open and facing up. If the problem continues, use a different size envelope.

NOTE:

- If the problem continues even though you have taken suggested actions described above, contact the Fuji Xerox local representative office or an authorised dealer.

■ The Top Margin Is Incorrect

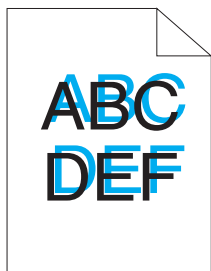


Problem	Action
The top margin is incorrect.	Ensure that the margins are set correctly on the application being used.

NOTE:

- If the problem continues even though you have taken suggested actions described above, contact the Fuji Xerox local representative office or an authorised dealer.

■ Color Registration Is out of Alignment

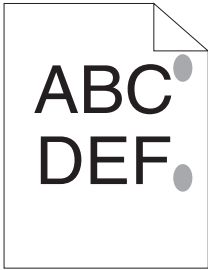


Problem	Action
Color registration is out of alignment.	<p>Execute auto color registration adjustment.</p> <ol style="list-style-type: none">1 Launch the Printer Setting Utility, and click Color Registration Adjustment on the Printer Maintenance tab.2 Deselect the check box next to On.3 Click the Start button next to Auto Correct. <hr/> <p>Clean the CTD sensor.</p> <ol style="list-style-type: none">1 Clean the CTD sensor.2 Launch the Printer Setting Utility, and click Color Registration Adjustment on the Printer Maintenance tab.3 Deselect the check box next to On.4 Click the Start button next to Auto Correct. <p>See also:</p> <ul style="list-style-type: none">• "Cleaning the Color Toner Density (CTD) Sensor" on page 160 <hr/> <p>Print the color registration chart and manually correct the color registration.</p> <ol style="list-style-type: none">1 Launch the Printer Setting Utility, and click Color Registration Adjustment on the Printer Maintenance tab.2 Deselect the check box next to On.3 Click the Start button next to Print Color Regi Chart.4 Select the paper size, and then click OK. The color registration chart is printed.5 Check the values with the straight lines on the chart.6 Select the value for each color on the Printer Setting Utility.7 Click the Apply New Settings button.8 Click the Start button next to Print Color Regi Chart to print the color registration chart again.9 Adjust till all straight lines are at the value of 0. <p>See also:</p> <ul style="list-style-type: none">• "Adjusting Color Registration" on page 141

NOTE:

- If the problem continues even though you have taken suggested actions described above, contact the Fuji Xerox local representative office or an authorised dealer.

■ Protrudent/Bumpy Paper



Problem	Action
Printed surface got protrudent/bumpy.	Clean up the fusing unit. 1 Load one sheet of paper on the MPF, and then print a solid image all over paper. 2 Load the printed sheet with the side to be printed on facing down, and then print a blank sheet of paper.

NOTE:

- If the problem continues even though you have taken suggested actions described above, contact the Fuji Xerox local representative office or an authorised dealer.

Adjusting Color Registration

This section describes how to adjust the color registration when you first install the printer or after moving it to a new location.

This section includes:

- ["Performing Auto Correct" on page 142](#)
- ["Printing the Color Registration Chart" on page 143](#)
- ["Determining Values" on page 144](#)
- ["Entering Values" on page 145](#)

■ Performing Auto Correct

Auto Correct allows you to correct the color registration automatically.

The Printer Setting Utility

The following procedure uses Microsoft® Windows® XP as an example.

- 1 Click **start** → **All Programs** → **Fuji Xerox** → **Fuji Xerox Printer Software for Asia-Pacific** → **FX DocuPrint CP105 b** → **Printer Setting Utility**.

NOTE:

- The **Select Printer** window appears in this step, when multiple print drivers are installed on your computer. In this case, click the name of the desired printer listed in **Printer Name**.

The Printer Setting Utility opens.

- 2 Click the **Printer Maintenance** tab.
- 3 Select **Color Registration Adjustment** from the list at the left side of the page.
The **Color Registration Adjustment** page is displayed.
- 4 Deselect the check box next to **On**.
- 5 Click the **Start** button next to **Auto Correct**.
The color registration is corrected automatically.

■ Printing the Color Registration Chart

The Printer Setting Utility

The following procedure uses Windows XP as an example.

- 1 Click **start** → **All Programs** → **Fuji Xerox** → **Fuji Xerox Printer Software for Asia-Pacific** → **FX DocuPrint CP105 b** → **Printer Setting Utility**.

NOTE:

- The **Select Printer** window appears in this step, when multiple print drivers are installed on your computer. In this case, click the name of the desired printer listed in **Printer Name**.

The Printer Setting Utility opens.

- 2 Click the **Printer Maintenance** tab.
- 3 Select **Color Registration Adjustment** from the list at the left side of the page.
The **Color Registration Adjustment** page is displayed.
- 4 Deselect the check box next to **On**.
- 5 Click the **Start** button next to **Print Color Regi Chart**.
- 6 Select the paper size, and then click **OK**.
The color registration chart is printed.

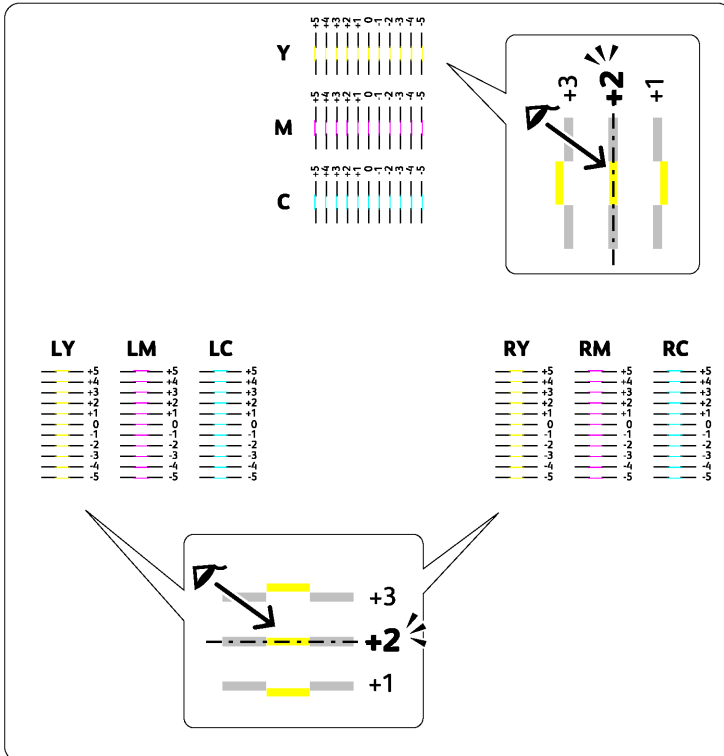
■ Determining Values

On the color registration chart printed, find the straightest lines where the two black lines and the colored line are most closely aligned for each color (Y, M, and C).

If you find the straightest line, make a note of the value (-5 – +5) indicated by the straightest line for each color.

When the value is 0 for each color, you do not need to adjust the color registration.

When the value is not 0, enter the value according to the procedure in ["Entering Values" on page 145](#).



■ Entering Values

The Printer Setting Utility

Using the Printer Setting Utility, enter the values that you found in the color registration chart to make adjustments.

The following procedure uses Windows XP as an example.

- 1 Click **start** → **All Programs** → **Fuji Xerox** → **Fuji Xerox Printer Software for Asia-Pacific** → **FX DocuPrint CP105 b** → **Printer Setting Utility**.

NOTE:

- The **Select Printer** window appears in this step, when multiple print drivers are installed on your computer. In this case, click the name of the desired printer listed in **Printer Name**.

The Printer Setting Utility opens.

- 2 Click the **Printer Maintenance** tab.
- 3 Select **Color Registration Adjustment** from the list at the left side of the page.
The **Color Registration Adjustment** page is displayed.
- 4 Deselect the check box next to **On**.
- 5 Select the value you checked in the color registration chart, and then click the **Apply New Settings** button.
- 6 Click the **Start** button next to **Print Color Regi Chart**.
- 7 Select the paper size, and then click **OK**.
The color registration chart is printed with the new values.
- 8 Adjust until all straight lines are at the value of 0. Show image of before and after adjustment will help.

IMPORTANT:

- After printing the color registration chart, do not turn off the printer until the printer motor has stopped running.
- If 0 is not next to the straightest lines, determine the values and adjust the printer again.

Noise

NOTE:

- In this section, the procedures use the Printer Setting Utility.

See also:

- ["Printer Setting Utility \(Windows Only\)" on page 45](#)

Problem	Action
The printer makes a strange noise.	<p>Locate the cause of the problem by removing the toner cartridges.</p> <ol style="list-style-type: none">1 Remove the toner cartridges.2 Launch the Printer Setting Utility, and click Machine Check on the Diagnosis tab.3 Select Main Motor Operation Check from the drop-down list box, and click the Start button.4 Click the Play of Sound button to check the motor sound. <p>See also:</p> <ul style="list-style-type: none">• "Replacing Toner Cartridges" on page 161 <p>If the noise generated from the printer matches with the noise from the Play of Sound button, contact the Fuji Xerox local representative office or an authorised dealer.</p> <hr/> <p>Perform Dispense Motor Check.</p> <ol style="list-style-type: none">1 Ensure that the toner cartridges are removed.2 Launch the Printer Setting Utility, and click Machine Check on the Diagnosis tab.3 Select Dispense Motor Check(Yellow), Dispense Motor Check(Magenta), Dispense Motor Check(Cyan), or Dispense Motor Check(Black) from the drop-down list box, and click the Start button.4 Click the Play of Sound button to check the motor sound.5 Repeat steps 3 and 4 to perform Dispense Motor Check for the rest of the toner cartridges. <p>NOTE:</p> <ul style="list-style-type: none">• You can perform Dispense Motor Check for CMYK in any order you desire.• Do not check the operation of the dispense motor repeatedly. <p>If the noise generated from the printer matches with the noise from the Play of Sound button, contact the Fuji Xerox local representative office or an authorised dealer.</p> <hr/> <p>Reinstall the toner cartridges and perform Dispense Motor Check.</p> <p>If the noise generated from the printer matches with the noise from the Play of Sound button, contact the Fuji Xerox local representative office or an authorised dealer.</p>

Other Problems

Problem	Action
Condensation has occurred inside the printer.	This usually occurs within several hours after you heat the room in winter. This also occurs when the printer is operating in a location where relative humidity reaches 85% or more. Adjust the humidity or relocate the printer to an appropriate environment.

Contacting Service

When you call for printer service, be prepared to describe the problem you are experiencing or the indicator status on the operator panel.

You need to know the model of your printer and serial number. See the label on the rear door of your printer.

Getting Help

This section includes:

- ["Operator Panel Lights" on page 150](#)
- ["SimpleMonitor Alerts" on page 151](#)
- ["Obtaining the Product Information" on page 152](#)

Fuji Xerox provides several automatic diagnostic tools to help you produce and maintain print quality.

■ Operator Panel Lights

The operator panel provides you with information on errors and warnings. When an error or warning condition occurs, the operator panel indicators inform you of the problem.

See also:

- ["Understanding the Operator Panel Lights" on page 103](#)

■ SimpleMonitor Alerts

The SimpleMonitor is a tool that is included on the *Software Pack CD-ROM*. It automatically checks the printer status when you send a print job. If the printer is unable to print your job, the SimpleMonitor automatically displays an alert on your computer screen to let you know that the printer needs attention.

■ Obtaining the Product Information

Obtaining the Latest Print Driver

The latest print driver can be obtained by downloading it from our web site.

NOTE:

- The communication fee shall be borne by users.
- 1** In your print driver's **Printing Preferences** dialog box, click the **Advanced Settings** tab and then click **About**.
 - 2** Click **Fuji Xerox Web Site**.
Your web browser launches and our web site is displayed.
 - 3** Follow the instructions on the web site and download an appropriate print driver.

NOTE:

- The URL of the driver download service page is as follows: <http://www.fujixeroxprinters.com/>
- For the latest information about the print driver features, refer to the online Help provided for the print driver.

Updating the Printer's Firmware

Our web site also provides a tool that allows you to update the printer's firmware (software embedded within the printer) from your computer.

The latest firmware and updating tool can be downloaded from the following URL.

Follow the instructions on the web site and download the correct firmware update.

<http://www.fujixeroxprinters.com/>

NOTE:

- The communication fee shall be borne by users.

Non Genuine Toner Mode

When toner within a toner cartridge is empty, a toner indicator lights up or blinks, and at the same time, the **!** (**Error**) indicator lights up depending on the printer status. For details on indicators, refer to ["Understanding the Operator Panel Lights" on page 103](#).

When you want to use the printer in the Non Genuine Toner mode, enable the Non Genuine Toner mode and replace the toner cartridge.

IMPORTANT:

- If you use the printer in the Non Genuine Toner mode, the performance of the printer may not be at its optimum. And any problems that may arise from the use of the Non Genuine Toner mode are not covered by our quality guarantee. The continuous use of the Non Genuine Toner mode can also cause the printer to break down, and any repair charges for such break down will be incurred by users.

NOTE:

- To disable the Non Genuine Toner mode, deselect the check box next to **On** on the **Non Genuine Toner** page on the Printer Setting Utility.

This section includes:

- ["The Printer Setting Utility" on page 154](#)

■ The Printer Setting Utility

The following procedure uses Windows XP as an example.

- 1 Click **start** → **All Programs** → **Fuji Xerox** → **Fuji Xerox Printer Software for Asia-Pacific** → **FX DocuPrint CP105 b** → **Printer Setting Utility**.

NOTE:

- The **Select Printer** window appears in this step, when multiple print drivers are installed on your computer. In this case, click the name of the desired printer listed in **Printer Name**.

The Printer Setting Utility opens.

- 2 Click the **Printer Maintenance** tab.
- 3 Select **Non Genuine Toner** from the list at the left side of the page.
The **Non Genuine Toner** page is displayed.
- 4 Select the check box next to **On**, and then click the **Apply New Settings** button.

Maintenance

This chapter includes:

- ["Cleaning the Printer" on page 156](#)
- ["Replacing Toner Cartridges" on page 161](#)
- ["Ordering Supplies" on page 166](#)
- ["Storing Consumables" on page 170](#)
- ["Managing the Printer" on page 171](#)
- ["Conserving Supplies" on page 173](#)
- ["Checking Page Counts \(Windows Only\)" on page 174](#)
- ["Moving the Printer" on page 175](#)

Cleaning the Printer

This section describes how to clean the printer in order to maintain it in good condition and print clean printouts all the time.



WARNING:

- **When cleaning this product, use the designated cleaning materials exclusive to it. Other cleaning materials may result in poor performance of the product. Never use aerosol cleaners, or it may catch fire and cause explosion.**



CAUTION:

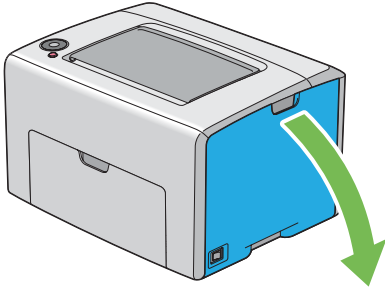
- **When cleaning this product, always switch off and unplug it. Access to a live machine interior may cause electric shock.**

This section includes:

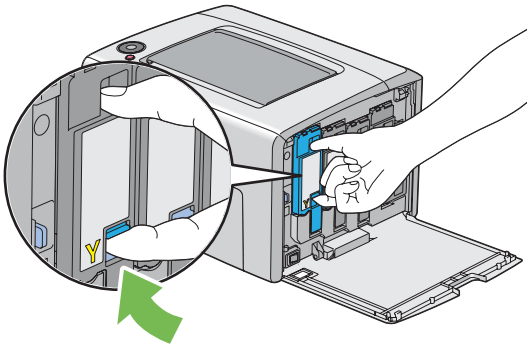
- ["Cleaning Inside the Printer" on page 157](#)
- ["Cleaning the Color Toner Density \(CTD\) Sensor" on page 160](#)

■ Cleaning Inside the Printer

- 1 Turn off the printer.
- 2 Open the toner access cover.



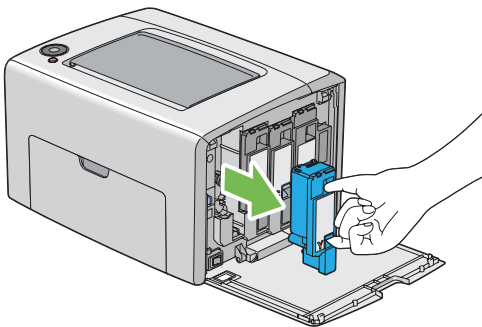
- 3 Pinch the toner cartridge firmly as shown in the illustration.



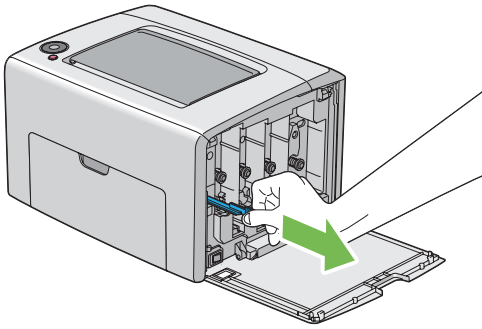
- 4 Pull the toner cartridge out.

IMPORTANT:

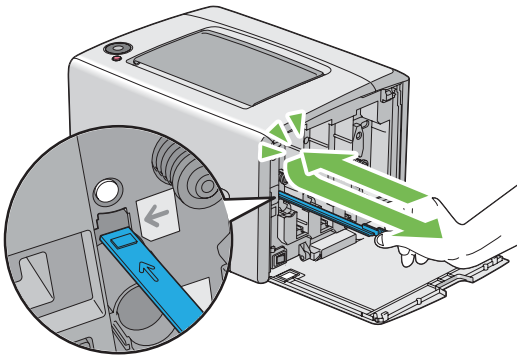
- Always pull the toner cartridge out slowly so you do not spill any toner.



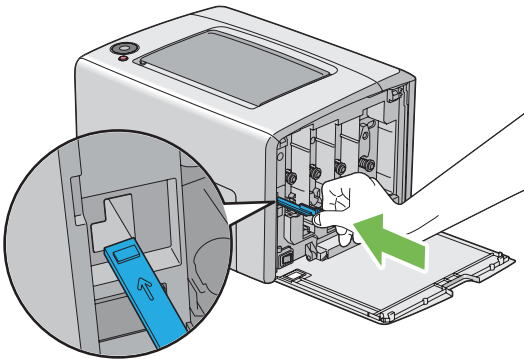
- 5 Pull the other three toner cartridges out as well.
- 6 Pull the print head cleaning rod out.



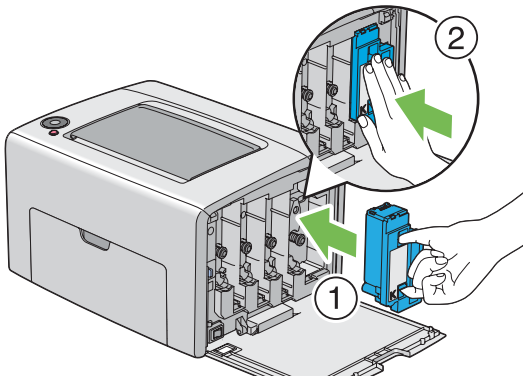
- 7** Insert the print head cleaning rod fully into the hole beside the arrow on the printer until its tip reaches the interior of the printer as illustrated below, and then pull it out.



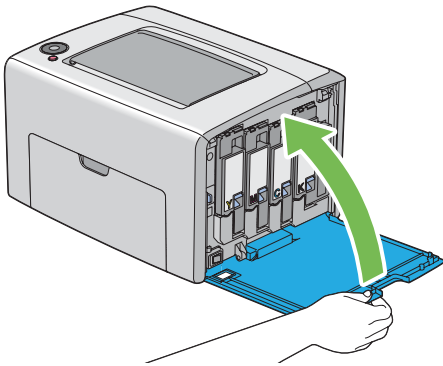
- 8** Repeat the same procedure for the other three holes.
- 9** Return the print head cleaning rod to its original location.



- 10** Replace the black toner cartridge by adjusting it to the associated cartridge holder, and then insert it firmly by pressing near the center of the label until the toner cartridge clicks.



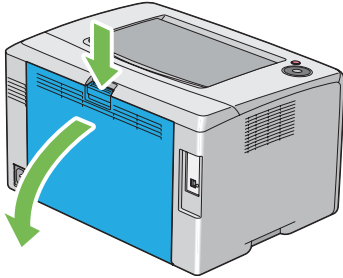
- 11** Replace the other three toner cartridges as well.
- 12** Close the toner access cover.



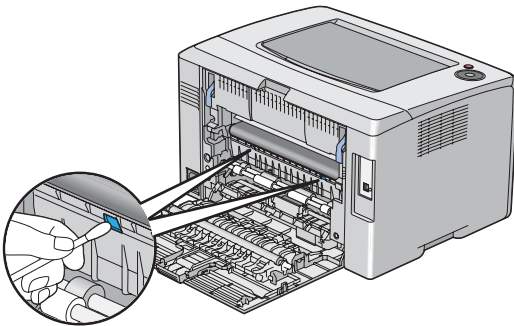
■ Cleaning the Color Toner Density (CTD) Sensor

Clean the CTD sensor only when an alert for the CTD sensor is shown on the Status Monitor window or operator panel.

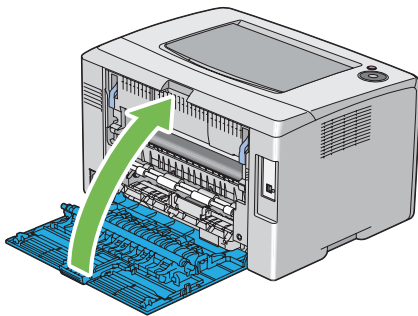
- 1 Ensure that the printer is turned off.
- 2 Push the rear cover handle and open the rear door.



- 3 Clean the CTD sensor inside the printer with a clean dry cotton swab.



- 4 Close the rear door.



Replacing Toner Cartridges

Fuji Xerox toner cartridges are available only through Fuji Xerox.

It is recommended that you use Fuji Xerox toner cartridges for your printer. Fuji Xerox does not provide warranty coverage for problems caused by using accessories, parts, or components not supplied by Fuji Xerox.

WARNING:

- Use a broom or a wet cloth to wipe off spilled toner. Never use a vacuum cleaner for the spills. It may catch fire by electric sparks inside the vacuum cleaner and cause explosion. If you spill a large volume of toner, contact your local Fuji Xerox representative.
- Never throw a toner cartridge into an open flame. Remaining toner in the cartridge may catch fire and cause burn injuries or explosion. If you have a used toner cartridge no longer needed, contact your local Fuji Xerox representative for its disposal.

CAUTION:

- Keep toner cartridges out of the reach of children. If a child accidentally swallows toner, spit it out, rinse mouth with water, drink water and consult a physician immediately.
- When replacing toner cartridges, be careful not to spill the toner. In case of any toner spills, avoid contact with clothes, skin, eyes and mouth as well as inhalation.
- If toner spills onto your skin or clothing, wash it off with soap and water. If you get toner particles in your eyes, wash it out with plenty of water for at least 15 minutes until irritation is gone. Consult a physician if necessary. If you inhale toner particles, move to a fresh air location and rinse your mouth with water. If you swallow toner, spit it out, rinse your mouth with water, drink plenty of water and consult a physician immediately.

IMPORTANT:

- Do not shake the used toner cartridge to avoid spilling of the toner.
- Be sure to use the starter toner cartridge shipped with the printer until it gets empty, and then replace it with a purchased one.


This section includes:

- ["Overview" on page 162](#)
- ["Removing the Toner Cartridges" on page 163](#)
- ["Installing a Toner Cartridge" on page 164](#)

■ Overview

The printer has toner cartridges of four colors: black (K), yellow (Y), magenta (M), and cyan (C). When a toner cartridge reaches its usable life-span, the operator panel lights blink on and off. The following table shows the warning conditions.

Indicator										Printer Status	Action	
Toner				Energy Saver	Jam	Start	Error	Load Paper	Ready /Data			
Y	M	C	K									
●	—	—	—	—	—	—	—	—	—	*1	The specified toner cartridge is low.*2	The toner cartridge has become low. Prepare a new one.
—	●	—	—	—	—	—	—	—	—	*1		
—	—	●	—	—	—	—	—	—	—	*1		
—	—	—	●	—	—	—	—	—	—	*1		
☀	—	—	—	—	—	—	—	—	—	*1	The specified toner cartridge is empty.*3	The toner cartridge has become empty. Replace the old toner cartridge with a new one.
—	☀	—	—	—	—	—	—	—	—	*1		
—	—	☀	—	—	—	—	—	—	—	*1		

*1 The  (**Ready/Data**) indicator blinks or lights up green depending on the printer status.

*2 This warning appears only when Fuji Xerox toner cartridges are used (**Non Genuine Toner** is set to off at the Printer Setting Utility.)

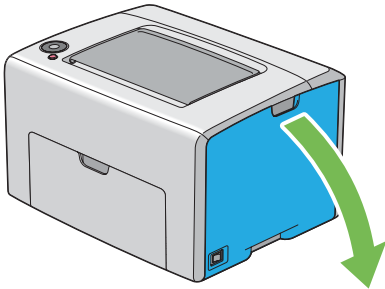
*3 In this case, you can continue printing in black and white.

IMPORTANT:

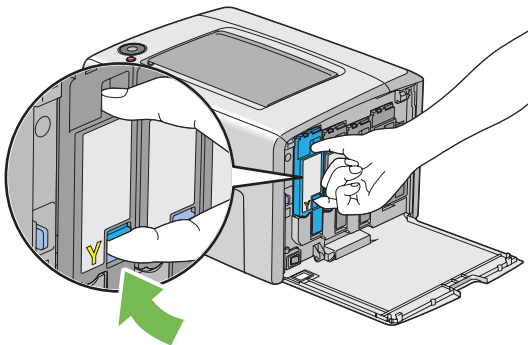
- When placing a used toner cartridge on the floor or on a table, place a few sheets of paper under the toner cartridge to catch any toner that may spill.
- Do not reuse old toner cartridges once you remove them from the printer. Doing so can impair print quality.
- Do not shake or pound the used toner cartridges. The remaining toner may spill.
- We recommend you to use up the toner cartridges within one year after removing them from the packaging.

■ Removing the Toner Cartridges

- 1 Turn off the printer.
- 2 Open the toner access cover.



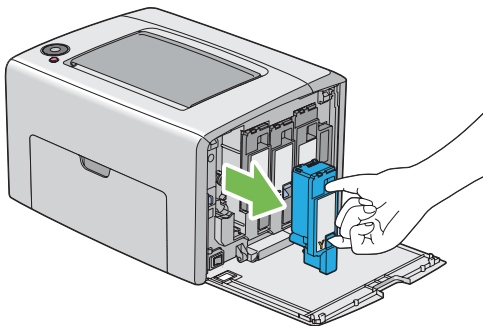
- 3 Spread a few sheets of paper on the floor or table where the removed toner cartridge is placed.
- 4 Pinch the toner cartridge firmly as shown in the illustration.



- 5 Pull the toner cartridge out.

IMPORTANT:

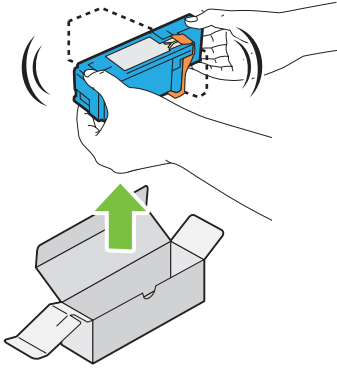
- Always pull the toner cartridge out slowly so you do not spill any toner.



- 6 Place the toner cartridge slowly on the sheets of paper spread in step 3.

■ Installing a Toner Cartridge

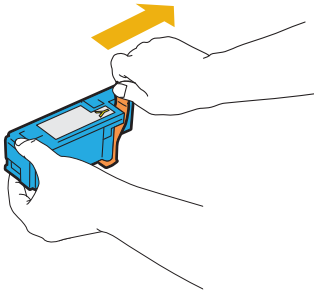
- 1 Unpack a new toner cartridge of the desired color and shake it five to six times to distribute the toner evenly.



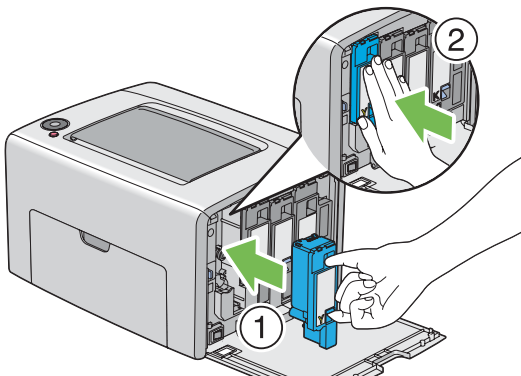
NOTE:

- Ensure that the color of the new toner cartridge matches that on the handle before replacing it.
- Handle the toner cartridge carefully to avoid spilling of the toner.

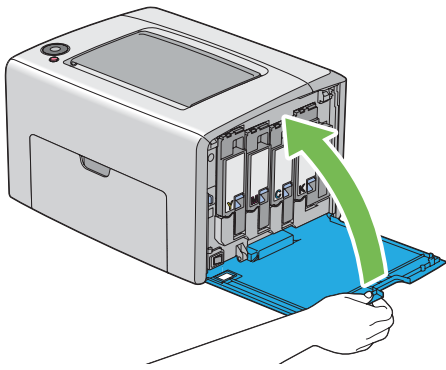
- 2 Remove the tape from the toner cartridge.



- 3 Adjust the toner cartridge to the associated cartridge holder, and then insert it firmly by pressing near the center of the label until the toner cartridge clicks.



- 4 Close the toner access cover.



- 5** Pack the removed toner cartridge in the box in which the installed toner cartridge was packed up.
- 6** Take care not to contact with the spilled toner and remove the sheets of paper spread under the removed toner cartridge.

Ordering Supplies

This section includes:

- ["Consumables" on page 167](#)
- ["When to Order Toner Cartridges" on page 168](#)
- ["Recycling Supplies" on page 169](#)

The toner cartridges need to be ordered occasionally. Each toner cartridge includes installation instructions on the box.

■ Consumables

IMPORTANT:

- Use of consumables not recommended by Fuji Xerox can impair machine quality and performance. Use only consumables recommended by Fuji Xerox.

Product Name	Product Code	Printable number of pages
Toner Cartridge [Black]	CT201591	Approx. 2000 pages
Toner Cartridge [Yellow]	CT201594	Approx. 1400 pages
Toner Cartridge [Magenta]	CT201593	Approx. 1400 pages
Toner Cartridge [Cyan]	CT201592	Approx. 1400 pages

IMPORTANT:

- The printable number of pages are applicable when A4 paper SEF (□) is used and printing is done continuously at a density such that each toner covers 5% of the page. These values are estimates and vary depending on conditions such as the content being printed, paper size, paper type, the machine's operating environment, initializing process done when you turn on or off the printer, and adjustments to maintain print quality.

NOTE:

- The printable number of pages for the starter toner cartridges shipped with the printer are approximately 1000 pages for black toner cartridge and 700 pages for yellow, magenta, and cyan toner cartridges.
- Each toner cartridge includes installation instructions on the box.

■ When to Order Toner Cartridges

The operator panel indicators inform a warning when the toner cartridge nears its replacement time. Verify that you have replacements on hand. It is important to order a toner cartridge when the indicators lighting up which inform you to replace the toner cartridge first appear to avoid interruptions to your printing.

To order toner cartridges, contact the Fuji Xerox local representative office or an authorized dealer.

IMPORTANT:

- This printer is designed to provide the most stable performance and print quality when used with the recommended toner cartridges. Not using toner cartridges recommended for this machine degrades the performance and printing quality of the printer. You could also incur charges if the machine breaks down. To receive customer support and achieve the optimum performance of the printer, be sure to use recommended toner cartridges.

■ Recycling Supplies

- For environmental protection and efficient use of resources, Fuji Xerox reuses returned toner cartridges to make recycle parts, recycle materials or energy recovery.
- Proper disposal is required for toner cartridges no longer needed. Do not open toner cartridges containers. Return them to your local Fuji Xerox representative.
- To recover scarce resources, rechargeable batteries used in the returned machines are recycled as materials or reused for energy generation.

Storing Consumables

Store consumables in their original packaging until you need to use them. Do not store consumables in:

- Temperatures greater than 40 °C (140 °F).
- An environment with extreme changes in humidity or temperature.
- Direct sunlight.
- Dusty places.
- A car for a long period of time.
- An environment where corrosive gases are present.
- An environment with salty air.

Managing the Printer

This section includes:

- ["Checking Printer Status with SimpleMonitor \(Windows Only\)" on page 172](#)

■ Checking Printer Status with SimpleMonitor (Windows Only)

SimpleMonitor is a tool that is installed with your Fuji Xerox print driver. It automatically checks the printer status when you send a print job. SimpleMonitor can also check the remaining amount of toner cartridges.

Starting SimpleMonitor

Double-click the SimpleMonitor icon on the taskbar or right-click the icon and select **Select Printer**. If the SimpleMonitor icon is not displayed on the taskbar, open SimpleMonitor from the **start** menu. The following procedure uses Microsoft® Windows® XP as an example.

- 1 Click **start** → **All Programs** → **Fuji Xerox** → **SimpleMonitor for Asia-Pacific** → **Activate SimpleMonitor**.
The **Select Printer** window appears.
- 2 Click the name of the desired printer from the list.
The **Status Monitor** window appears.

For details about the functions of SimpleMonitor, refer to the online Help.

Conserving Supplies

You can change a setting in your print driver to conserve paper.

Supply	Setting	Function
Print media	Multiple-Up in the Layout tab of the print driver	<p>The printer prints two or more pages on one side of a sheet. The available numbers that each print driver can print one sheet of paper are as follows:</p> <ul style="list-style-type: none">• Microsoft Windows Print Driver: 2, 4, 8, 16, or 32 pages• Mac OS® X Print Driver: 2, 4, 6, 9 or 16 pages <p>Combined with the duplex setting, Multiple-Up allows you to print up to 64 pages on one sheet of paper. (32 images on the front and 32 on the back)</p>

Checking Page Counts (Windows Only)

The total number of printed pages can be checked at the Printer Setting Utility. Four meters are available:

Meter 1	Displays the total number of color prints.
Meter 2	Displays the total number of monochrome prints.
Meter 3	Displays the total number of large size color prints.
Meter 4	Displays the total number of color and monochrome prints (Meter 1 + Meter 2).

The **Meter Reading** counts the number of pages printed properly. Single side color print (including Multiple-Up) is counted as one job, and 2-sided print (including Multiple-Up) is counted as two. During 2-sided printing, if an error occurs after one side is printed properly, it is counted as one.

When printing color data, which has been converted by using ICC profile on an application, with the Color setting, the data is printed by color even if it seems to be black and white data on the monitor. In that case, **Meter 1** and **Meter 4** are increased.

When doing 2-sided printing, a blank page may be inserted automatically depending on the settings of the application. In this case, the blank page is counted as one page. However, when doing 2-sided printing for odd number of pages, the blank page inserted to the rear side of the last odd page is not counted.

The following procedure uses Windows XP as an example.

To check a meter at the Printer Setting Utility:

- 1 Click **start** → **All Programs** → **Fuji Xerox** → **Fuji Xerox Printer Software for Asia-Pacific** → **FX DocuPrint CP105 b** → **Printer Setting Utility**.

NOTE:

- The **Select Printer** window appears in this step, when multiple print drivers are installed on your computer. In this case, click the name of the desired printer listed in **Printer Name**.

The Printer Setting Utility appears.

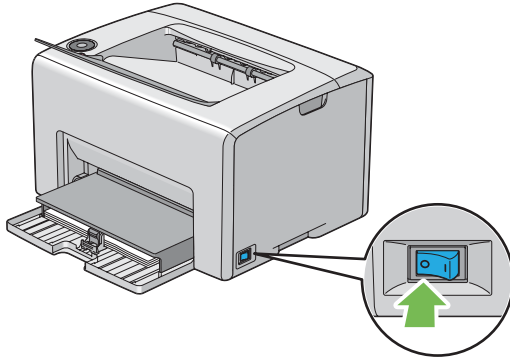
- 2 Click the **Printer Settings Report** tab.
- 3 Select **Menu Settings** from the list at the left side of the page.
The **Menu Settings** page is displayed.
- 4 Check the values for each meter under **Meter Reading**.

Moving the Printer

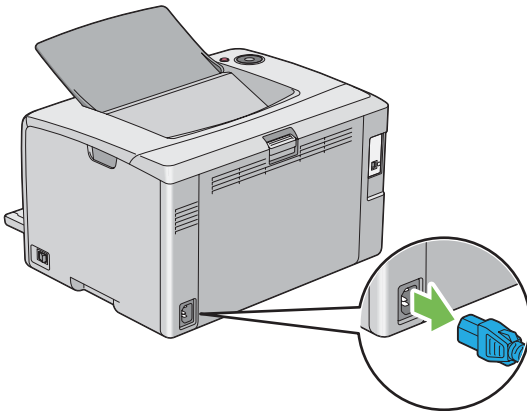
NOTE:

- The front side of this printer is heavier than the rear. Take note of this difference in weight when moving the printer.

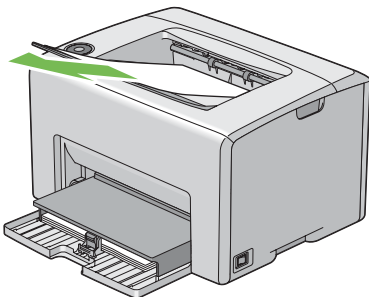
- 1 Turn off the printer.



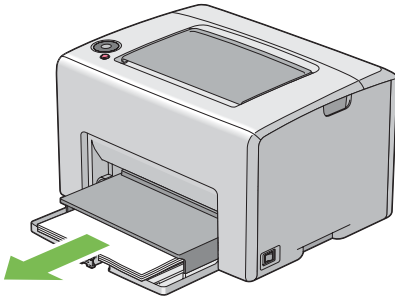
- 2 Disconnect the power cord and USB cable.



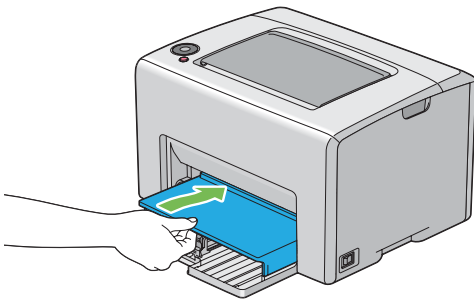
- 3 Remove any paper in the center output tray if there is. Close the output tray extension if it is opened.



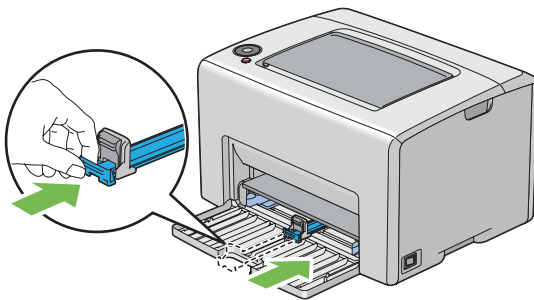
- 4 Remove any paper in the multipurpose feeder (MPF). Keep the paper wrapped and away from humidity and dirt.



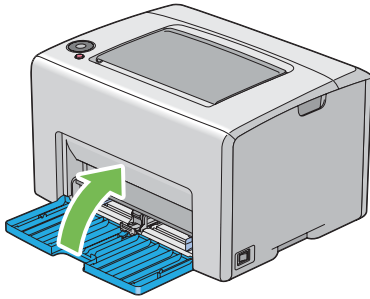
5 Push the paper cover in.



6 Slide the slide bar backward until it stops.



7 Close the front cover.



8 Lift the printer and move it gently.

NOTE:

- If the printer is to be moved over a long distance, the toner cartridges should be removed to prevent toner from spilling and the printer should be packed inside a box.



9 Adjust the color registration before using your printer.

See also:

- ["Adjusting Color Registration" on page 141](#)

Contacting Fuji Xerox

This chapter includes:

- ["Technical Support" on page 180](#)
- ["Online Services" on page 181](#)

Technical Support

Fuji Xerox recommends the Customer first utilize support materials shipped with the product, product diagnostics, information contained on the Web, and email support. If unsuccessful, to obtain service under product warranty the Customer must notify Fuji Xerox Telephone Support or its authorized service representative of the defect before the expiration of the warranty period. Customer will provide appropriate assistance to Telephone Support personnel to resolve issues, such as restoration of the operating system, software program and drivers to their default configuration and settings, verification of functionality of Fuji Xerox supplied products, replacement of customer replaceable units, clearing paper misfeeds and cleaning the unit and other prescribed routine and preventative maintenance.

If the Customer's product contains features that enable Fuji Xerox or its authorized service representative to diagnose and repair problems with the product remotely, Fuji Xerox may request that the Customer allow such remote access to the product.

Online Services

You can find detail Product and Consumable warranty information and activate your warranty by registering your details on our website at <http://www.fujixerox.com/support/docuprint/>

Fuji Xerox Online Support Assistant provides instructions and troubleshooting guides to resolve your printer problems. It is an easy-to-use, searchable online help. To find out more, please visit our online support at <http://www.fujixerox.com/support/docuprint/>

Index

A

Adjusting color registration 141
Avoiding jam 113

B

Basic Printer Problem 121

C

Cancel Job Button 33
Canceling a job 90
Canceling print job
 From computer 90
Center Output Tray 31, 114
Clearing jam 112
Clearing paper jam
 From back of the printer 116
 From center output tray 118
 From front of the printer 115
Color Registration Chart 143
Connecting printer 52
Connection specification 52
Connection type 52
Conserving supplies 173
Consumables 167
Contacting Service 148
CTD Sensor 160

D

Determining values 144
Display Problem 122

E

Electrical Safety 12
Energy Saver Indicator 33
Entering values 145
Error and Warning Messages 151
Error Indicator 33

F

Front Cover 31, 114

G

Getting help 149
 SimpleMonitor Alerts 151

I

Installing 55

Installing a toner cartridge 164

J

Jam 120
Jam Indicator 33

L

Launcher 47
Length Guide 31
Levers 32, 114
Load Paper Indicator 33
Loading envelope 79
Loading letterhead 83
Loading postcard 82
Loading print media 72
 MPF 75
Loading print media in multipurpose feeder (MPF)
 75

M

Main components 30
Managing
 printer 171
Manual Duplex Printing 84
Messages
 SimpleMonitor 151
Meter Readings
 Total Printed Pages 174
Meters
 Total Page Counts 174
Mottle 132
Moving
 Printer 175
Multiple-Up 173
Multipurpose feeder (MPF) 31, 114

O

Operator Panel 31
Operator Panel Lights 103
Ordering supplies 168
Output Tray Extension 31, 87

P

Panel Settings Page 36
Paper Chute 32
Paper Cover 31
Paper Feed Roller 32
Paper Jam Location 114

- Paper Width Guides 31, 77
- Parts name 30
- Power Connector 32
- Power Switch 31
- Print driver (Mac OS X)
 - Installing print driver 58
- Print driver installing 55
- Print Head Cleaning Rod 31
- Print Media 173
 - Dimensions 74
- Print Quality Problems 124
- Printer
 - Managing 171
 - Moving 175
- Printer software 43
- Printing 88
 - Custom Paper 96
 - With Mac OS X driver 97
 - With Windows print driver 97
- Printing Basics 63
- Printing Problem 123
- Product Features 23

R

- Ready/Data Indicator 33
- Rear Cover Handle 32
- Rear Door 32, 114
- Recycling supplies 169
- Removing the toner cartridges 163
- Report Page 99
- Resetting to defaults 102

S

- Safety
 - Electrical 12
 - Operational 16
- Sending print job 89
- Setting 173
- SimpleMonitor
 - Alerts 151
- Slide Bar 31
- Specification 25
- Start Button 33
- Status Monitor Widget 49
- Storing consumables 170

T

- Toner Access Cover 31
- Toner Indicator 33
- Transfer Belt 32, 114
- Transfer Roller 32

U

- USB Port 32, 52
- User Setup Disk Creating Tool 48

W

- Warning and Error Messages 151
- When to order toner cartridges 168

Free Manuals Download Website

<http://myh66.com>

<http://usermanuals.us>

<http://www.somanuals.com>

<http://www.4manuals.cc>

<http://www.manual-lib.com>

<http://www.404manual.com>

<http://www.luxmanual.com>

<http://aubethermostatmanual.com>

Golf course search by state

<http://golfingnear.com>

Email search by domain

<http://emailbydomain.com>

Auto manuals search

<http://auto.somanuals.com>

TV manuals search

<http://tv.somanuals.com>