



DocuPrint C2255

Quick Reference Guide

Adobe, the Adobe logo, Acrobat, Adobe Reader, PostScript, Adobe PostScript 3, and the PostScript logo are either registered trademarks or trademarks of Adobe Systems Incorporated in the United States and/or other countries.

Microsoft, Windows, Windows Server, and Windows Vista are either registered trademarks or trademarks of Microsoft Corporation in the United States and/or other countries.

Permission has been obtained from Microsoft Corporation for use of software screen shots.


NetWare is a registered trademark of Novell, Inc.

Macintosh, Mac OS, AppleTalk, EtherTalk, and TrueType are trademarks of Apple Inc., registered in the U.S. and other countries.

RSA, BSAFE are either registered trademarks or trademarks of RSA Security Inc. in the United States and/or other countries. RSA Security Inc. All rights reserved.

All product/brand names are trademarks or registered trademarks of the respective holders.

For license information, refer to "Licenses" (P. 16).

In this manual, safety instructions are preceded by the symbol . Always read and follow the instructions before performing the required procedures.

It may be a legal offence to print currency notes, certificates of stocks and securities, or any other documents of similar nature, regardless of whether they will be used.

The data saved in the hard disk of the machine may be lost if there is any problem in the hard disk. Fuji Xerox is not responsible for any direct and indirect damages arising from or caused by such data loss.

Fuji Xerox is not responsible for any breakdown of machines due to infection of computer virus or computer hacking.

Important

1. This manual is copyrighted with all rights reserved. Under the copyright laws, this manual may not be copied or modified in whole or part, without the written consent of the publisher.
2. Parts of this manual are subject to change without prior notice.
3. We welcome any comments on ambiguities, errors, omissions, or missing pages.
4. Never attempt any procedure on the machine that is not specifically described in this manual. Unauthorized operation can cause faults or accidents. Fuji Xerox is not liable for any problems resulting from unauthorized operation of the equipment.

XEROX, The Document Company, and the stylized X are registered trademarks of Xerox Corporation. All Xerox and Fuji Xerox product names are either registered trademarks or trademarks of Xerox Corporation or Fuji Xerox Co., Ltd.

Preface

Thank you for purchasing the DocuPrint C2255.

This guide explains how to operate this printer and the precautions that must be followed during operation.

To get the most out of this printer and to use it effectively, be sure to read this guide before use.

This guide assumes you are familiar with computers and the basics of network operation and configuration.

After reading this guide, keep it safe and handy. Refer to this manual if any problems occur while using the machine. The illustrations in this manual show the printer with the Duplex unit and 3 Tray Module installed.

These illustrations are current as of March 2008, however the machine and its specifications may be changed without notice.

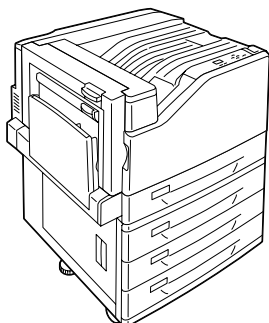
Fuji Xerox shares the global concern about environmental conservation and has integrated that concern in its business activities from research and development to disposal. We have implemented a number of programs to lessen the burden on the environment. For example, we have totally eliminated ozone-depleting chlorofluorocarbons from our manufacturing facilities.

We are committed to leadership in the conservation of resources by reusing and recycling post-consumer waste material such as paper, cartridges, and parts from our customer's copiers and printers.

DocuPrint C2255 Features

High Speed, High Image Quality

- A4 (monochrome/color): 25 ppm (Continuous one-sided printing of a single document)



- The oil-free fusing technology produces prints you can easily write and place sticky-notes on.
- Prints all types of documents in the optimal print quality.


Handles a Variety of Paper Sizes and Types

- Supports printing on non-standard-size paper, transparencies, and other special media in the paper trays as well as in the bypass tray.
- Accepts more variety of media in the bypass tray.

Easy Installation and Set Up

- Installation tool (included in the supplied CD-ROM) for easy installation
- Web browser-based monitoring and remote configuration of the printer (CentreWare Internet Services)

Wide Range of Print Features

- **Multiple-Up**
Prints multiple pages onto one sheet of paper.
- **2 Sided Print^{*1}**
Prints documents on both sides of the paper.
- **Booklet^{*1}**
Prints documents so they can be folded in the center in booklet form.
- **Poster**
Used when creating posters.
- **Watermarks**
Adds a watermark, such as "Confidential", underneath an original image.
- **Saved Settings**
Often-used print settings can be registered in the print driver's [Saved Settings] list. When printing, a list item can be selected for instant configuration of the printer.
- **Sample Set**
Enables printing of a proof copy and printing of all remaining copies after verification of the proof copy.
- **PDF Bridge**
ContentsBridge Utility enables fast and direct printing of PDF files simply by dragging and dropping files onto an icon.


Security Features

- **Communication Encryption^{*3}**
Prevents information leaks due to unauthorized access.
- **Control Panel Lock**
Provides password-based access control to control panel operations.
- **Print User Control**
Authentication feature controls printer access.
- **Data Reception Control**
Controls access to the printer by IP address (when LPD or Port 9100 is used).
- **Secure Print/Private Charge Print^{*2 *4}**
Stores a password-protected document in the printer, which is output following authentication by password entry on the control panel or by Smart card. This feature is ideal for printing confidential documents.

*1: Requires the Duplex unit (option).

*2: Requires the hard disk (option).

*3: The data encryption feature is not supported on the model available in China.

*4: Features on this printer may not be useable in some regions. Contact your dealer for details.

Contents

Preface	3	3	Printing	38
DocuPrint C2255 Features	4		Printing from a Computer	38
Contents	5			
Contents of the User Guide (Reference)	7	4	Paper	40
Types of Manuals	8		About Paper	40
Conventions	8		Supported Paper	40
Safety Notes	9		Unsupported Paper	44
Licenses	16		Loading Paper	44
Illegal Copies and Printouts	19		Loading Paper in the Bypass Tray	44
			Loading paper into Trays 1 through 4	46
1 Printer Environment Settings	20		Setting the Paper Sizes of Trays 1 through 4	47
Supported Operating Environments	20		Changing the Paper Type Settings of Trays 1 through 4	48
Connecting a cable	22			
Switching the Control Panel Display		5	Troubleshooting	50
Language	23		Clearing Paper Jams	50
Setting the Network Environment	23		Paper Jam in the Bypass Tray	51
Setting an IP Address (IPv4)	23		Paper Jam in Trays 1 - 4	51
Setting an IP Address (IPv6)	26		Paper Jam Inside Cover A	51
Configuring the Printer Using CentreWare			Paper Jam Inside Cover B (Optional Duplex Unit Installed)	52
Internet Services	26		Paper Jam Inside Cover C	53
Overview of CentreWare Internet			Hardware Problems	
Services	26		(Power Failure, Abnormal Noise, etc.) .	54
Using CentreWare Internet Services	29		Printing Problems	55
Using the Online Help	29		Print and Image Quality Problems	57
Installing a Print Driver	29		Paper Feed Problems	61
			Error Messages and Error Codes	62
2 Basic Operation	30		Error Messages	
Main Components and Functions	30		(in Alphabetical Order)	62
Main Unit	30		Error Codes	67
Control panel	33			
Switching On/Off the Power	34	6	Replacing Consumables	69
Switching On the Power	34		Types of Consumables	69
Switching Off the Power	34		Handling Consumables	70
About the Ground Fault Interrupter	34		Recycling Used Consumables	70
Setting/Exiting the Energy Saver Modes .	35		Replacing Toner Cartridges	71
Entering the Energy Saver Modes	35		Replacement Procedure	72
Exiting the Energy Saver Modes	35		Replacing Drum Cartridges	73
Canceling a Print Job	35		Replacement Procedure	73
Canceling a Print Job Being Processed on a Computer	35		Replacing the Waste Toner Bottle	75
Canceling a Print Job being Printed/ Received on the Printer	35		Replacement Procedure	75
Canceling all Data Received by the Printer	35		Replacing the Fuser Unit	77
Importing Printer Information to a Print Driver	36		Replacement Procedure	77
Printing a Report/List	36		Resetting the Counter	79
			Replacing the Transfer Belt Cleaner	79
			Replacement Procedure	79

A	Appendix.....	81
	Options	81
	Life of Consumables and Regular Replacement Parts	82
	Obtaining Product Information	83
	Obtaining the Latest Print Driver Version	83
	Updating the Printer's Firmware	83
	Installing Additional Memory.....	83
	Procedure for Installing Additional Memory	85
	Installing the Hard Disk.....	86
	Installing the Feature Enhance Kit.....	88
	Installing the Parallel Port.....	90
	Installing the TC/SC Font ROM	92
	Installing the Korea Font ROM	94
	Index.....	96
	Control Panel Menu Tree	98

Contents of the User Guide (Reference)

Preface

DocuPrint C2255 Features

Contents

Types of Manuals

Using This Guide

Safety Notes

Licenses

Illegal Copies and Printouts

1 Printer Environment Settings

- 1.1 Supported Operating Environments
- 1.2 Connecting a cable
- 1.3 Switching the Control Panel Display Language
- 1.4 Setting the Network Environment
- 1.5 Enabling Ports
- 1.6 Configuring the Printer Using CentreWare Internet Services
- 1.7 Installing a Print Driver

2 Basic Operation

- 2.1 Main Components and Functions
- 2.2 Switching On/Off the Power
- 2.3 About the Ground Fault Interrupter
- 2.4 Setting/Exiting the Energy Saver Modes
- 2.5 Canceling/Checking a Print Job
- 2.6 Importing Printer Information to a Print Driver

3 Printing

- 3.1 Printing from a Computer
- 3.2 Printing on Envelopes
- 3.3 Printing on Custom Size or Long-size Paper
- 3.4 Printing after Changing the Paper Types of Trays 1 - 4
- 3.5 Printing confidential documents - Secure Print -
- 3.6 Printing after checking output - Sample Set -
- 3.7 Printing at a Specified Time - Delayed Print -
- 3.8 Private Charge Print
- 3.9 Direct Printing of PDF Files
- 3.10 Printing Using E-mail - E-mail Print -

4 Paper

- 4.1 About Paper
- 4.2 Loading Paper

5 Control Panel Settings

- 5.1 Overview of the Common Menus
- 5.2 Common Menu Setting

6 Troubleshooting

- 6.1 Clearing Paper Jams
- 6.2 Hardware Problems (Power Failure, Abnormal Noise, etc.)
- 6.3 Printing Problems
- 6.4 Print and Image Quality Problems
- 6.5 Paper Feed Problems
- 6.6 Error Messages and Error Codes
- 6.7 Network-related Problems
- 6.8 Non-Genuine Mode

7 Maintenance

- 7.1 Replacing Consumables
- 7.2 Printing Reports/Lists
- 7.3 Checking the Meter Reading
- 7.4 Monitoring/Managing the Printer with a Web Browser
- 7.5 Checking Printer Status via E-mail
- 7.6 Security Features
- 7.7 Configuring Encryption Settings
- 7.8 Control Access to Printer Features by Pre-registering Users
- 7.9 Ordering Consumables With Your Web Browser
- 7.10 Adjusting Tone Density
- 7.11 Adjusting the Image Transfer Voltage
- 7.12 Cleaning the Printer
- 7.13 Moving the Printer

A Appendix

- A.1 Main Specifications
- A.2 Options
- A.3 Life of Consumables and Regular Replacement Parts
- A.4 Obtaining Product Information
- A.5 Installing Additional Memory
- A.6 Installing the Hard Disk
- A.7 Installing the Feature Enhance Kit
- A.8 Installing the Parallel Port
- A.9 Installing the TC/SC Font ROM
- A.10 Installing the Korea Font ROM
- A.11 Notes and Restrictions
- A.12 Glossary

Index

Control Panel Menu Tree

Types of Manuals

<p>Setup Guide Provides step-by-step instructions on how to set up your printer.</p>
<p>Quick Reference Guide (this guide) Provides information such as how to get ready to print, basic operating instructions, and troubleshooting tips. This guide also includes instructions on how to install options, including additional memory, the hard disk, the Feature Enhance Kit, the Font ROM and the Parallel Port. For more detailed information and information about topics not covered by this guide, refer to the 'User Guide'.</p>
<p>User Guide (PDF) Describes how to get ready to print and set various print features. It also covers control panel menus, troubleshooting tips, and maintenance information. •This guide is on the Driver CD Kit CD-ROM, under [Model-specific Manual (PDF Document)].</p>
<p>CD-ROM Documentation (HTML) Describes how to set up the printer's operating environment, and how to install a print driver and various Fuji Xerox software. •This guide is on the Driver CD Kit CD-ROM.</p>
<p>Emulation Setting Guide (PDF) Explains ESC/P, PCL, HP-GL®, and HG-PL/2® emulation. •This guide is on the Driver CD Kit CD-ROM, under [Model-specific Manual (PDF Document)].</p>
<p>PostScript User Guide (PDF) Describes how to set up your printer as a PostScript® printer and the features that can be configured on your print driver. •This guide is on the PostScript Driver Library CD-ROM.</p>
<p>Installation guides for the optional accessories Most optional accessories (sold separately) come with installation guides.</p>

Note

- To view PDF files, you must have Adobe® Reader® installed on your computer. If you do not have it installed, install it from the Driver CD Kit CD-ROM.

Conventions

1. In this guide, personal computers and workstations are referred to collectively as "computers".
2. The following terms are used throughout this guide:

Important : Indicates important information.
Be sure to read this information.

Note : Indicates supplementary information.

3. The following symbols are used throughout this guide:

Refer to " " : Indicates a reference within this guide.

Refer to ' ' : Indicates a reference in another publication.

[] : Indicates a menu name, menu item, or message that appears on your computer screen or the printer's control panel display. These brackets also are used for the names of reports and lists output from the printer.

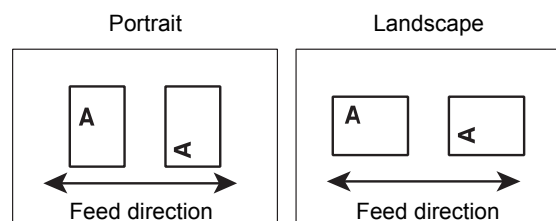
< > : Indicates key cap text for keys on your computer keyboard, or hardware buttons or lamps on the printer's control panel.

> : Indicates the flow of menu items or commands when performing a control panel display or CentreWare Internet Services operation.

4. The symbols described below are used to indicate paper orientation within the text of this guide.

☐,Portrait : When facing the front of the printer, paper is oriented vertically when loaded.

☐,Landscape : When facing the front of the printer, paper is oriented horizontally when loaded.





















Safety Notes

Before using this product, read "Safety Notes" carefully for safety use.

This product and recommended supplies have been tested and found to comply with strict safety requirements including safety agency approvals and compliance with environmental standards. Follow the following instructions for safety use.


⚠ WARNING Any unauthorized alteration including an addition of new functions or connection to external devices may not be covered by the product warranty. Contact your local Fuji Xerox representative for more information.

Follow all warning instructions marked on this product. The warning marks stand for the followings:

⚠ DANGER	Used for item that if not followed strictly, can lead death or severe or fatal injuries and the possibility to do it is comparatively high.
⚠ WARNING	Used for items that if not followed strictly, can lead to severe or fatal injuries.
⚠ CAUTION	Used for items that if not followed strictly, can cause injuries to user or damages to machine.
<p>⚠ : A symbol for items to pay attention to when handling machine. Follow instructions carefully to use machine safely.</p> <div style="display: flex; justify-content: space-around; align-items: flex-end;"> <div style="text-align: center;"> Static Sensitive</div> <div style="text-align: center;"> Caution</div> <div style="text-align: center;"> Flammable</div> <div style="text-align: center;"> Explodable</div> <div style="text-align: center;"> Electric shock</div> <div style="text-align: center;"> Heated surface</div> <div style="text-align: center;"> Moving object</div> <div style="text-align: center;"> Pinched fingers</div> </div>	
<p>⊘ : A symbol for prohibited items. Follow instructions carefully to avoid any dangerous acts.</p> <div style="display: flex; justify-content: space-around; align-items: flex-end;"> <div style="text-align: center;"> Prohibited</div> <div style="text-align: center;"> No fire</div> <div style="text-align: center;"> Do not touch</div> <div style="text-align: center;"> Do not use in bathroom</div> <div style="text-align: center;"> Do not tear down</div> <div style="text-align: center;"> Keep away from wet</div> <div style="text-align: center;"> Never touch with wet hand</div> </div>	
<p>● : A symbol for items that must be performed. Follow instructions carefully to carry out these essential tasks.</p> <div style="display: flex; justify-content: space-around; align-items: flex-end;"> <div style="text-align: center;"> Instructions</div> <div style="text-align: center;"> Unplug</div> <div style="text-align: center;"> Ground/Earth</div> </div>	

Electrical Safety

⚠ WARNING


 This product shall be operated by the power source as indicated on the product's data plate. Consult your local power company to check if your power source meets the requirements.


⚠ WARNING Connect this product to a protective earth circuit.


This product is supplied with a plug that has a protective earth pin. The plug fits only into an earthed electrical outlet. This is a safety feature. If the plug doesn't fit to the outlet, contact an electrician to replace the outlet to avoid risk of electric shock. Never use an


earthed adapter plug to connect the product to the electrical outlet that has no earth connection terminal.


Improper connection of a grounding conductor may cause electric shock.


 Plug the power cord directly into a grounded electrical outlet. To prevent overheating and a fire accident, do not use an extension cord, a multi-plug adaptor or a multiple connector. Consult your local Fuji Xerox representative to check if an outlet is grounded.

 Connect this product to a branch circuit or an outlet that has larger capacity than the rated ampere and voltage of this product. See the data plate on the rear panel of this product for its rated ampere and voltage.

 Never touch the power cord with wet hands. It may cause electric shock.

 Do not place an object on the power cord.


 Always keep the plug connection free of dust. The dusty and damp environment may bring about minute electric current in a connector. It may generate heat and eventually cause a fire accident.


 To avoid the risk of electric shock and a fire accident, only use the power cord supplied with this product or the ones designated by Fuji Xerox.
The power cord is exclusive use for this product. Do not use it for any other product.


Do not damage or alter the power cord. Damage and alteration may generate heat and eventually cause electric shock or a fire accident.


If the power cord is damaged or insulated wires are exposed, contact your local Fuji Xerox representative for its replacement. Do not use a damaged or uninsulated cord to avoid the risk of electric shock and a fire accident.


CAUTION

 When cleaning this product, always switch off and unplug it. Access to a live machine interior may cause electric shock.

 Do not unplug or re-plug this product with the switch on. Plugging and unplugging a live connector may deform the plug and generate heat, and eventually cause a fire accident.

 Hold the plug not the cord when unplugging this product, or it may damage the cord and cause electric shock or a fire accident.

 Switch off and unplug the product when it is not used over weekends or long holidays. It may cause deterioration of insulations and eventually electric shock or a fire accident.


 Once a month, switch off this product and check if

- the power cord is plugged firmly into an electrical outlet;
- the plug is not excessively heated, rusted or bent;
- the plug and electrical outlet are free of dust; and
- the power cord is not cracked or worn down.


Once you notice any unusual condition, switch off and unplug this product first and contact your local Fuji Xerox representative.


Machine Installation


WARNING

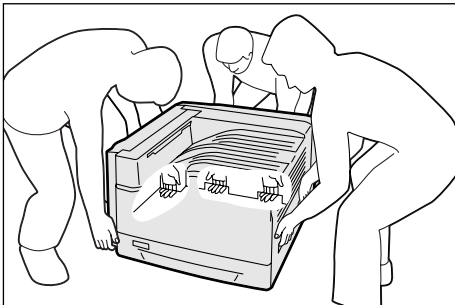
-  Do not locate this product where people might step on or trip over the power cord. Friction or excessive pressure may generate heat and eventually cause electric shock or a fire accident.


CAUTION


-  Never locate this product in the following places:
 - Near radiators or any other heat sources
 - Near volatile flammable materials such as curtains
 - In the hot, humid, dusty or poorly ventilated environment
 - In the place receiving direct sunlight
 - Near cookers or humidifiers

-  This product weighs 63.0 kg. When moving it, always carry it by a team of two or more persons to avoid mishandling or injury.

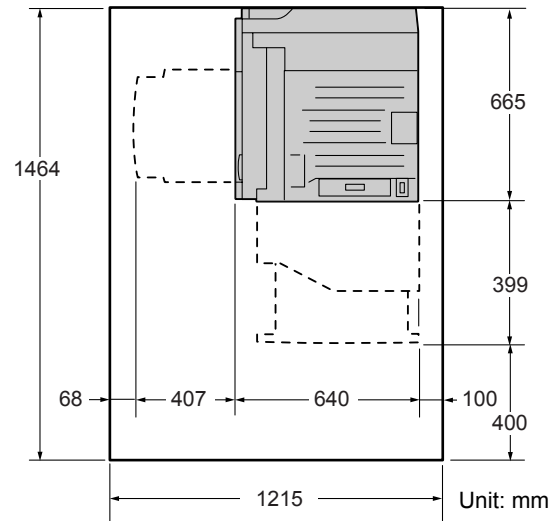
-  When lifting this product, firmly grip the handholds provided. Never lift it by gripping any other areas. Doing so may prevent you from dropping the product or injuring your back.




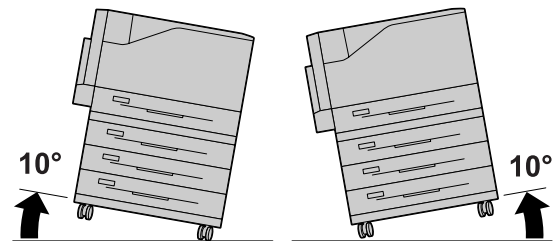
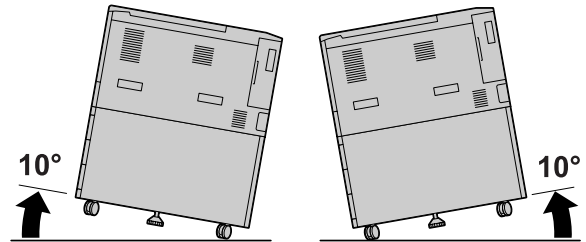
-  Locate this product on the level and sturdy surface that can withstand its weight. Otherwise, if tilted, the product may fall over and cause injuries.


-  Locate this product in a well-ventilated area. Do not obstruct ventilation openings of the product.

Keep the minimum clearance as follows for ventilation and an access to the power plug. Unplug the product if an abnormal condition is noted.




-  Do not incline the product at more than 10 degree angle. Otherwise, it may fall over and cause injuries.



-  Always lock the wheels of this product after installation. Otherwise, it may fall over or slide and cause injuries.

Others


 To keep this product in a good performance and condition, always use it in the following environment:


- Temperature: 10 - 32°C
- Humidity: 15 - 85%
(no dew condensation)


When the product is left in a chilly room and the room is rapidly warmed up by heater, dew condensation may form inside the product and cause a partial deletion on printing.

Operational Safety


WARNING

 The operator's product maintenance procedures are described in the customer documentation supplied with this product. Do not carry out any other maintenance procedures not described in the documentation.

 This product features safety design not to allow operators access to hazard areas. The hazard areas are isolated from operators by covers or protectors which require a tool to remove. To prevent electric shock and injuries, never remove those covers and protectors.

 To avoid the risk of electric shock and a fire accident, switch off and unplug the product promptly in the following conditions, then contact your local Fuji Xerox representative.


- The product emits smoke or its surface is unusually hot.
- The product emits unusual noise or odor.
- The power cord is cracked or worn down.
- A circuit breaker, fuse or any other safety device is activated.
- Any liquid is spilled into the product.
- The product is soaked in water.
- Any part of the product is damaged.


 Do not insert any object into slots or openings of this product.


Do not place any of the followings on the product:

- Liquid container such as flower vases or coffee cups
- Metal parts such as staples or clips
- Heavy objects


If liquid is spilled over or metal parts are slipped into the product, it may cause electric shock or a fire accident.

 Do not use conductive paper such as carbonic paper or coated paper. When paper jam occurs, it may cause short-circuit and eventually a fire accident.


 When cleaning this product, use the designated cleaning materials exclusive to it. Other cleaning materials may result in poor performance of the product. Never use aerosol cleaners, or it may catch fire and cause explosion.


 Never play the CD-ROM supplied with the product on an audio player. Always use a CD-ROM player. Otherwise, large sound may damage audio players or your ears.

CAUTION

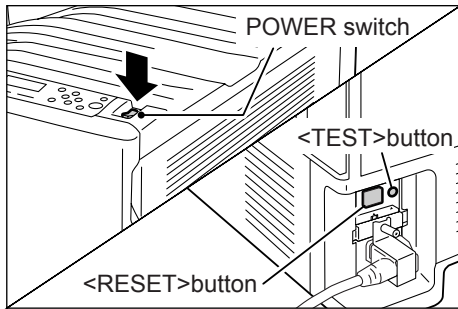
 Always follow all warning instructions marked on or supplied with this product.

To avoid the risk of burn injuries and electric shock, never touch the area with the "High Temperature" or "High Voltage" marks on.

 Keep electrical and mechanical safety interlocks active. Keep the safety interlocks away from magnetic materials. Magnetic materials may accidentally activate the product and cause injuries or electric shock.

 A ground fault interrupter is embedded in this product. If current leakage occurs, the ground fault interrupter automatically cuts off power circuit to prevent electric shock and a fire accident. The ground fault interrupter is normally in the Reset position (where the <RESET> button is in a pressed-in state). Check once a month if the ground fault interrupter works properly in accordance with the following procedures:

1. Switch off the product.
2. Press the <TEST> button located on the rear left side of the product, with a thin stick or similar object.
3. Make sure that the <RESET> button is popped up.
4. After the confirmation, press the <RESET> button to exit the test mode.



If the circuit does not work properly, contact your local Fuji Xerox representative.

! Do not attempt to remove a paper jammed deeply inside the product, particularly a paper wrapped around a fuser or a heat roller. Otherwise, it may cause injuries or burns. Switch off the product promptly and contact your local Fuji Xerox representative.

! Ventilate well during extended operation or mass printing. It may affect the office air environment due to odor such as ozone in a poorly ventilated room. Provide proper ventilation to ensure the comfortable and safe environment.

⚠ Never touch the exposed connectors around this label. It may cause damage to the parts due to static discharge.

Consumable

⚠ WARNING

! Store all consumables in accordance with the instructions given on its package or container.

! Use a broom or a wet cloth to wipe off spilled toner. Never use a vacuum cleaner for the spills. It may catch fire by electric

sparks inside the vacuum cleaner and cause explosion. If you spill a large volume of toner, contact your local Fuji Xerox representative.

⊘ Never throw a toner cartridge into an open flame. Remaining toner in the cartridge may catch fire and cause burn injuries or explosion. If you have a used toner cartridge no longer needed, contact your local Fuji Xerox representative for its disposal.

⚠ CAUTION

⊘ Never heat the drum cartridges or scratch their surfaces. It may cause health hazard.

! Keep the drum cartridges and toner cartridges out of the reach of children. If a child accidentally swallows toner, spit it out, rinse mouth with water, drink water and consult a physician immediately.

! When replacing the drum cartridges and toner cartridges, be careful not to spill the toner. In case of any toner spills, avoid contact with clothes, skin, eyes, and mouth, also avoid inhaling it.

! If toner spills onto your skin or clothing, wash it off with soap and water. If you get toner particles in your eyes, wash it out with plenty of water for at least 15 minutes until irritation is gone. Consult a physician if necessary.

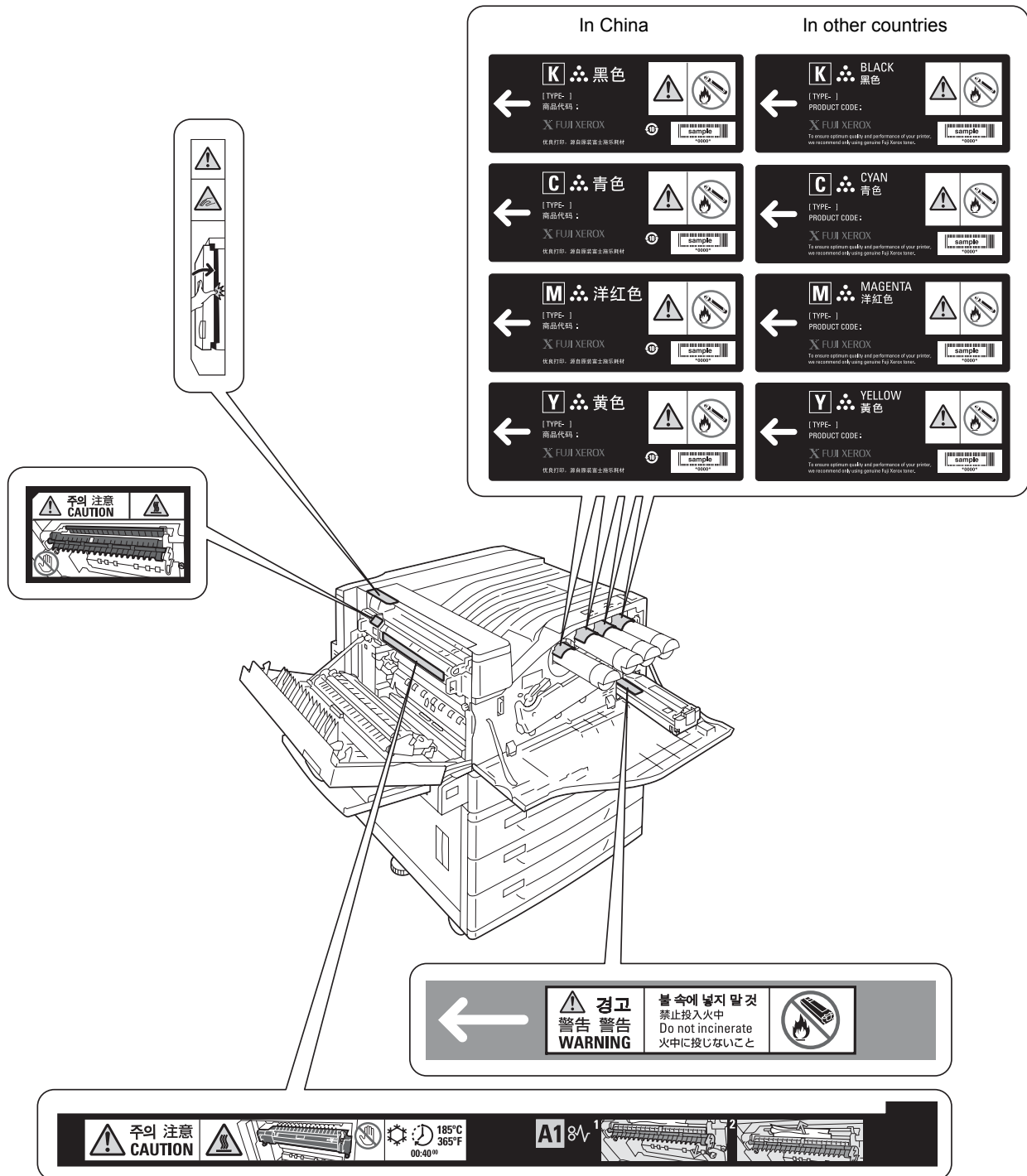
If you inhale toner particles, move to a fresh air location and rinse your mouth with water.

If you swallow toner, spit it out, rinse your mouth with water, drink plenty of water and consult a physician immediately.

! Fuser Safety
When removing the fuser unit, always switch off first and wait for 40 minutes until it cools off.

Warning and Caution Labels

Be sure to follow the warning and caution labels placed on the machine. Do not touch areas with labels indicating high voltage or temperature. This can cause an electric shock or burn.



Environment

- Emissions of dust, ozone and styrene from this product have been tested and found to comply with the Eco Mark criteria on chemical emission for printers. According to the test procedures defined by Blue Angel RAL-UZ122: 2006 Appendix 2, the test was performed under the condition of monochrome copying, using the toner type, DocuPrint C2255 Toner (Black), that is recommended for this product.
- For environmental protection and efficient use of resources, Fuji Xerox reuses returned drum cartridges, toner cartridges and waste toner bottle to make recycled parts, recycled materials or for energy recovery.
- Proper disposal is required for drum cartridges, toner cartridges and waste toner bottle no longer needed. Do not open drum cartridges, toner cartridges and waste toner bottle. Return them to your local Fuji Xerox representative.

Regulation



Radio Frequency Emissions (Class B)

This product has been tested and found to comply with the limits for a Class B digital device, pursuant to the International Standard for Electromagnetic Interference (CISPR Publ. 22) and Radiocommunications Act 1992 in Australia/New Zealand. These limits are designed to provide reasonable protection against harmful interference in a residential installation. This product generates, uses and can radiate radio frequency energy and, if not installed and used in accordance with the instructions, may cause harmful interference to radio communications. However, there is no guarantee that interference will not occur in a particular installation. If this product does cause harmful interference to radio or television reception, which can be determined by turning this product off and on, the user is encouraged to try to correct the interference by one or more of the following measures:

- Reorient or relocate the receiving antenna.
- Increase the separation between this product and the receiver.
- Connect this product into an outlet on a circuit different from that to which the receiver is connected.

- Consult the dealer or an experienced radio/TV technician for help.

Changes and modifications to this product not specifically approved by Fuji Xerox may void the user's authority to operate this product.

- Product Safety Certification (CB)

This product has been tested and found to comply with IEC60950-1:ed.1. and certified by NEMKO.

NEMKO: IEC60950-1:ed. 1

Licenses

RSA BSAFE (For the Models Other than those Available in China)



This product includes RSA BSAFE encryption software from RSA Security Inc.

Heimdal

Copyright (c)2000
Kungliga Tekniska högskolan (Royal Institute of Technology, Stockholm, Sweden). All rights reserved.

Redistribution and use in source and binary forms, with or without modification, are permitted provided that the following conditions are met:

1. Redistributions of source code must retain the above copyright notice, this list of conditions and the following disclaimer.
2. Redistributions in binary form must reproduce the above copyright notice, this list of conditions and the following disclaimer in the documentation and/or other materials provided with the distribution.
3. Neither the name of the Institute nor the names of its contributors may be used to endorse or promote products derived from this software without specific prior written permission.

THIS SOFTWARE IS PROVIDED BY THE INSTITUTE AND CONTRIBUTORS "AS IS" AND ANY EXPRESS OR IMPLIED WARRANTIES, INCLUDING, BUT NOT LIMITED TO, THE IMPLIED WARRANTIES OF MERCHANTABILITY AND FITNESS FOR A PARTICULAR PURPOSE ARE DISCLAIMED. IN NO EVENT SHALL THE INSTITUTE OR CONTRIBUTORS BE LIABLE FOR ANY DIRECT, INDIRECT, INCIDENTAL, SPECIAL, EXEMPLARY, OR CONSEQUENTIAL DAMAGES (INCLUDING, BUT NOT LIMITED TO, PROCUREMENT OF SUBSTITUTE GOODS OR SERVICES; LOSS OF USE, DATA, OR

PROFITS; OR BUSINESS INTERRUPTION) HOWEVER CAUSED AND ON ANY THEORY OF LIABILITY, WHETHER IN CONTRACT, STRICT LIABILITY, OR TORT (INCLUDING NEGLIGENCE OR OTHERWISE) ARISING IN ANY WAY OUT OF THE USE OF THIS SOFTWARE, EVEN IF ADVISED OF THE POSSIBILITY OF SUCH DAMAGE.

LZMA

LZMA SDK 4.21 Copyright (c) 1999-2005 Igor Pavlov (2005-06-08)
<http://www.7-zip.org/>

LZMA SDK 4.22 Copyright (c) 1999-2005 Igor Pavlov (2005-06-10)
<http://www.7-zip.org/>

JPEG Code

Our printer software uses some of the codes defined by the Independent JPEG Group.

Libcurl

COPYRIGHT AND PERMISSION NOTICE

Copyright (c) 1996 - 2006, Daniel Stenberg,
<daniel@haxx.se>.

All rights reserved.

Permission to use, copy, modify, and distribute this software for any purpose with or without fee is hereby granted, provided that the above copyright notice and this permission notice appear in all copies.

THE SOFTWARE IS PROVIDED "AS IS", WITHOUT WARRANTY OF ANY KIND, EXPRESS OR IMPLIED, INCLUDING BUT NOT LIMITED TO THE WARRANTIES OF MERCHANTABILITY, FITNESS FOR A PARTICULAR PURPOSE AND NONINFRINGEMENT OF THIRD PARTY RIGHTS. IN NO EVENT SHALL THE AUTHORS OR COPYRIGHT HOLDERS BE LIABLE FOR ANY CLAIM, DAMAGES OR OTHER LIABILITY, WHETHER IN AN ACTION OF CONTRACT, TORT OR OTHERWISE, ARISING FROM, OUT OF OR IN CONNECTION WITH THE SOFTWARE OR THE USE OR OTHER DEALINGS IN THE SOFTWARE.

Except as contained in this notice, the name of a copyright holder shall not be used in advertising or otherwise to promote the sale, use or other dealings in this Software without prior written authorization of the copyright holder.

FreeBSD

This product uses some FreeBSD codes.

The FreeBSD Copyright

Copyright 1994-2006 The FreeBSD Project. All rights reserved.

Redistribution and use in source and binary forms, with or without modification, are permitted provided that the following conditions are met:

Redistributions of source code must retain the above copyright notice, this list of conditions and the following disclaimer.

Redistributions in binary form must reproduce the above copyright notice, this list of conditions and the following disclaimer in the documentation and/or other materials provided with the distribution.

THIS SOFTWARE IS PROVIDED BY THE FREEBSD PROJECT "AS IS" AND ANY EXPRESS OR IMPLIED WARRANTIES, INCLUDING, BUT NOT LIMITED TO, THE IMPLIED WARRANTIES OF MERCHANTABILITY AND FITNESS FOR A PARTICULAR PURPOSE ARE DISCLAIMED. IN NO EVENT SHALL THE FREEBSD PROJECT OR CONTRIBUTORS BE LIABLE FOR ANY DIRECT, INDIRECT, INCIDENTAL, SPECIAL, EXEMPLARY, OR CONSEQUENTIAL DAMAGES (INCLUDING, BUT NOT LIMITED TO, PROCUREMENT OF SUBSTITUTE GOODS OR SERVICES; LOSS OF USE, DATA, OR PROFITS; OR BUSINESS INTERRUPTION) HOWEVER CAUSED AND ON ANY THEORY OF LIABILITY, WHETHER IN CONTRACT, STRICT LIABILITY, OR TORT (INCLUDING NEGLIGENCE OR OTHERWISE) ARISING IN ANY WAY OUT OF THE USE OF THIS SOFTWARE, EVEN IF ADVISED OF THE POSSIBILITY OF SUCH DAMAGE.

The views and conclusions contained in the software and documentation are those of the authors and should not be interpreted as representing official policies, either expressed or implied, of the FreeBSD Project.

OpenLDAP

Copyright 1998-2006 The OpenLDAP Foundation
All rights reserved.

Redistribution and use in source and binary forms, with or without modification, are permitted only as authorized by the OpenLDAP Public License.

A copy of this license is available in the file LICENSE in the top-level directory of the distribution or, alternatively, at <http://www.OpenLDAP.org/license.html>.

OpenLDAP is a registered trademark of the OpenLDAP Foundation.

Individual files and/or contributed packages may be copyright by other parties and/or subject to additional restrictions.

This work is derived from the University of Michigan LDAP v3.3 distribution. Information concerning this software is available at <http://www.umich.edu/~dirsvcs/ldap/ldap.html>.

This work also contains materials derived from public sources.

Additional information about OpenLDAP can be obtained at <http://www.openldap.org/>.

Portions Copyright 1998-2006 Kurt D. Zeilenga.
Portions Copyright 1998-2006 Net Boolean Incorporated.
Portions Copyright 2001-2006 IBM Corporation.
All rights reserved.

Redistribution and use in source and binary forms, with or without modification, are permitted only as authorized by the OpenLDAP Public License.

Portions Copyright 1999-2005 Howard Y.H. Chu.
Portions Copyright 1999-2005 Symas Corporation.
Portions Copyright 1998-2003 Hallvard B. Furuseth.
All rights reserved.

Redistribution and use in source and binary forms, with or without modification, are permitted provided that this notice is preserved.

The names of the copyright holders may not be used to endorse or promote products derived from this software without their specific prior written permission. This software is provided "as is" without express or implied warranty.

Portions Copyright (c) 1992-1996 Regents of the University of Michigan.

All rights reserved.

Redistribution and use in source and binary forms are permitted provided that this notice is preserved and that due credit is given to the University of Michigan at Ann Arbor. The name of the University may not be used to endorse or promote products derived from this software without specific prior written permission. This software is provided "as is" without express or implied warranty.

The OpenLDAP Public License
Version 2.8, 17 August 2003

Redistribution and use of this software and associated documentation ("Software"), with or without modification, are permitted provided that the following conditions are met:

1. Redistributions in source form must retain copyright statements and notices,
2. Redistributions in binary form must reproduce applicable copyright statements and notices, this list of conditions, and the following disclaimer in the documentation and/or other materials provided with the distribution, and
3. Redistributions must contain a verbatim copy of this document.

The OpenLDAP Foundation may revise this license from time to time.

Each revision is distinguished by a version number. You may use this Software under terms of this license revision or under the terms of any subsequent revision of the license.

THIS SOFTWARE IS PROVIDED BY THE OPENLDAP FOUNDATION AND ITS CONTRIBUTORS "AS IS" AND ANY EXPRESSED OR IMPLIED WARRANTIES, INCLUDING, BUT NOT LIMITED TO, THE IMPLIED WARRANTIES OF MERCHANTABILITY AND FITNESS FOR A PARTICULAR PURPOSE ARE DISCLAIMED. IN NO EVENT SHALL THE OPENLDAP

FOUNDATION, ITS CONTRIBUTORS, OR THE AUTHOR(S) OR OWNER(S) OF THE SOFTWARE BE LIABLE FOR ANY DIRECT, INDIRECT, INCIDENTAL, SPECIAL, EXEMPLARY, OR CONSEQUENTIAL DAMAGES (INCLUDING, BUT NOT LIMITED TO, PROCUREMENT OF SUBSTITUTE GOODS OR SERVICES; LOSS OF USE, DATA, OR PROFITS; OR BUSINESS INTERRUPTION) HOWEVER CAUSED AND ON ANY THEORY OF LIABILITY, WHETHER IN CONTRACT, STRICT LIABILITY, OR TORT (INCLUDING NEGLIGENCE OR OTHERWISE) ARISING IN ANY WAY OUT OF THE USE OF THIS SOFTWARE, EVEN IF ADVISED OF THE POSSIBILITY OF SUCH DAMAGE.

The names of the authors and copyright holders must not be used in advertising or otherwise to promote the sale, use or other dealing in this Software without specific, written prior permission. Title to copyright in this Software shall at all times remain with copyright holders.

OpenLDAP is a registered trademark of the OpenLDAP Foundation.

Copyright 1999-2003 The OpenLDAP Foundation, Redwood City, California, USA. All Rights Reserved. Permission to copy and distribute verbatim copies of this document is granted.

DES

This product includes software developed by Eric Young.

(eay@mincom.oz.au)

AES

Copyright (c) 2003, Dr Brian Gladman Worcester, UK. All rights reserved. This product uses published AES software provided by Dr Brian Gladman under BSD licensing terms.

TIFF (libtiff)

LibTIFF Copyright (c) 1988-1997 Sam Leffler
Copyright (c) 1991-1997 Silicon Graphics, Inc.

ICC Profile (Little cms)

Little cms Copyright (C) 1998-2004 Marti Maria

XPS (XML Paper Specification)

This product may incorporate intellectual property owned by Microsoft Corporation. The terms and conditions upon which Microsoft is licensing such intellectual property may be found at <http://go.microsoft.com/fwlink/?LinkId=52369>.

Illegal Copies and Printouts

Copying or printing certain documents may be illegal in your country. Penalties of fines or imprisonment may be imposed on those found guilty. The following are examples of items that may be illegal to copy or print in your country.

- Currency
- Banknotes and checks
- Bank and government bonds and securities
- Passports and identification cards
- Copyright material or trademarks without the consent of the owner
- Postage stamps and other negotiable instruments

This list is not inclusive and no liability is assumed for either its completeness or accuracy. In case of doubt, contact your legal counsel.

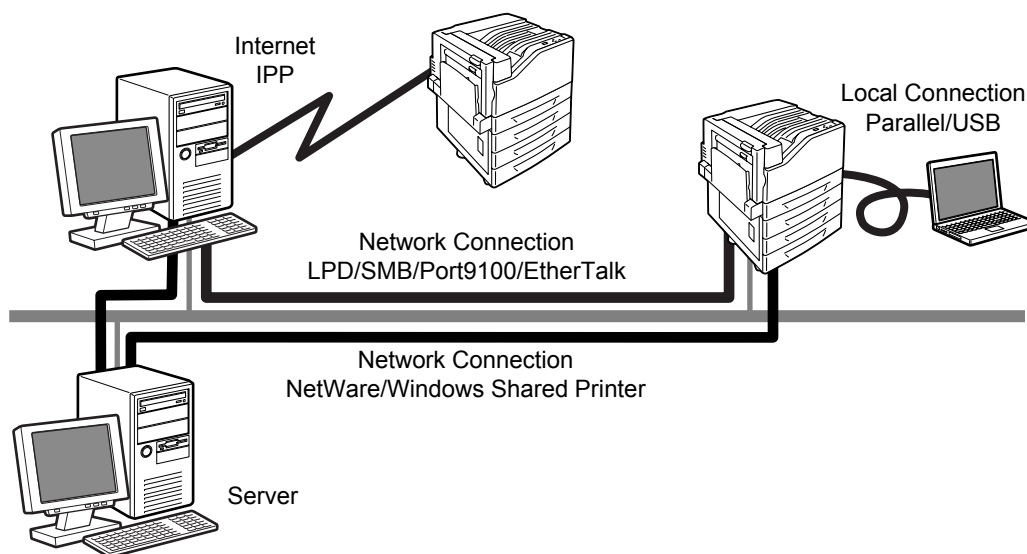
1 Printer Environment Settings

When you are finished installing your printer using the 'Setup Guide', go on to set up its operating environment.

Supported Operating Environments

The printer can be used both as a local and a network printer. When used as a local printer, the printer is connected directly to a computer. Connect the printer to a network for use as a network printer.

Set all ports you want to use to [Enabled] on the control panel.



■ Using the Printer as a Local Printer

When using the printer as a local printer, the printer and a computer can be connected using the following methods:

- USB connection : Connecting the printer and a computer using a USB cable. (default: [Enabled])
- Parallel connection : Connecting the printer and a computer using a parallel cable. To use this feature, the Parallel Port (optional) must be installed. (default: [Disabled])

■ Using the Printer as a Network Printer

When using the printer as a network printer, the printer can be set up in the following environments:

- LPD : Used when using TCP/IP protocol to enable direct communication between the printer and a computer. (default: [Enabled])
- Port9100 : Used when using a Port9100 port. (default: [Enabled])
- NetWare® : Used when sharing and managing the printer using a NetWare server. (default: [Disabled])
- SMB : Used when printing using a Windows® network. (default: [Enabled])
- IPP : Used when printing via the Internet. (default: [Disabled])
- EtherTalk® : Used when printing from Macintosh®. (default: [Disabled])

■ Supported Operating Systems and Operating Environments

Note

- The supported operating systems are subject to change without prior notice. Visit our web site for the latest information.

Connectivity	Local		Network								
	Parallel ^{*1}	USB 2.0 ^{*2}	LPD	NetWare		SMB		IPP	Port 9100	Ether Talk	WSD
Port Name	-	-	TCP/ IP	TCP/ IP	IPX/ SPX	Net BEUI	TCP/ IP	TCP/ IP	TCP/ IP	Apple Talk	TCP/ IP
Windows [®] 2000	○	○	○	○	○	○	○	○	○		
Windows [®] XP	○	○	○	○	○		○	○	○		
Windows Server [®] 2003	○	○	○	○	○		○	○	○		
Windows Vista [®]	○	○	○				○	○	○		○
Mac OS [®] 8.6/9.2.2		○								○	
Mac OS X 10.3.9/10.4.10		○	○					○		○	

*1: To use this feature, the Parallel Port (optional) must be installed.

*2: The computer must be connected to the printer via a USB 2.0 port.

Note

- For information on how to print PostScript data, refer to the manual on the PostScript Driver Library CD-ROM.

Connecting a cable

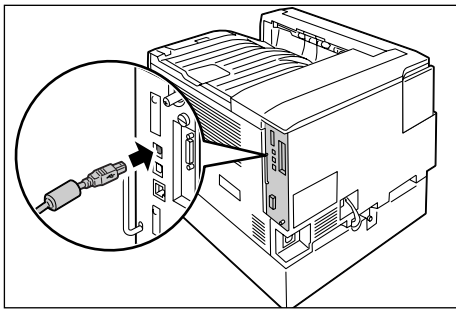
Connect the printer to your computer using an interface cable appropriate for your connection method.

An interface cable is not included with the printer. You must purchase it separately.

USB Connection

When using a USB connection, install the print driver on your computer before connecting the cable. For installation instructions, refer to the "Installing a Print Driver" (P. 29) or the 'CD-ROM Documentation (HTML)' on the Driver CD Kit CD-ROM.

1. Switch the printer off.
2. Plug the USB cable into the interface connector on the printer.



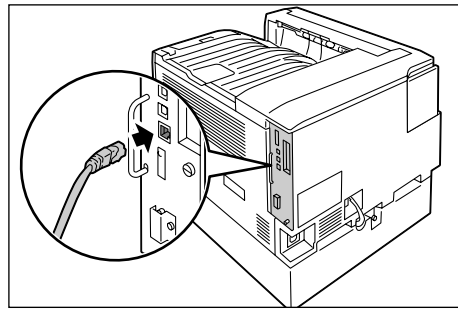
3. Plug the other end of the USB cable into your computer.
4. Switch the printer on.

Network Connection

Use a straight-type network cable that supports 100BASE-TX or 10BASE-T.

1. Switch the printer off.

2. Plug the network cable into the interface connector on the printer.

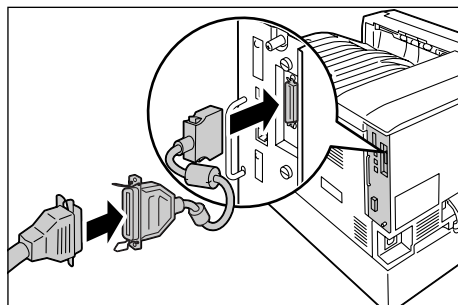


3. Plug the other end of the network cable into a network device such as a hub.
4. Switch the printer on.

Parallel Connection

When using a parallel connection, you must first install the optional Parallel Port and connector conversion cable.

1. Switch the printer off.
2. Insert the connector conversion cable included with the optional Parallel Port into the interface connector on the printer.



3. Connect the other end of the connector conversion cable to the connector on the parallel cable. Then secure it using the metal pieces on both sides of the connector.
4. Plug the other end of the parallel cable into your computer.
5. Switch the printer on.

Switching the Control Panel Display Language

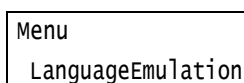
Set either [English], [Korean], [Simp. Chinese], or [Trad. Chinese] as the display language for the control panel of the printer.

The following explains how to switch the control panel display language.

Note

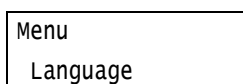
- This guide assumes that [Language] has been set to [English]. The following operations are unnecessary if you are using an English operating system.

- Press the <Menu> button to display the menu screen.



```
Menu
LanguageEmulation
```

- Press the <▼> button until [Language] is displayed.

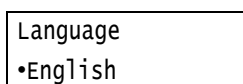


```
Menu
Language
```

Note

- If you went past the desired item, return to the item by pressing the <▲> button.

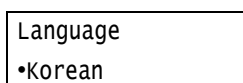
- Press either the <▶> or <OK> button to select.
The language is displayed.



```
Language
•English
```

- Press the <▼> button until the desired language is displayed.

- Press the <OK> button to confirm.



```
Language
•Korean
```

- Press the <Menu> button to close the menu.
The printer automatically restarts.

Setting the Network Environment

This section explains how to install your printer in a TCP/IP environment. When installing the printer in a different environment, refer to the 'CD-ROM Documentation (HTML)' on the Driver CD Kit CD-ROM.

Note

- The printer can use an IPv6 address in an IPv6 network environment. For information on using IPv6 addresses, refer to "Setting an IP Address (IPv6)" (P. 26).

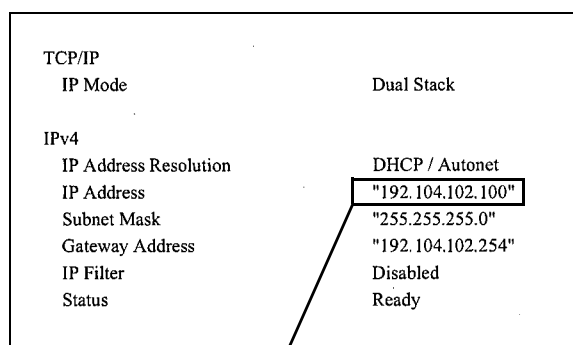
Setting an IP Address (IPv4)

To use TCP/IP protocol, you must configure an IP address for the printer.

By default, the printer is set to obtain its IP address (via the [Get IP Address] setting on the control panel) using [DHCP/Autonet]. Thus, when the printer is connected to a network that has a DHCP server, the printer automatically obtains its IP address from the server.

Print the [Configuration Report] to see if the printer already has an IP address.

If the printer does not have an IP address, set [Get IP Address] to [STATIC] and configure the address.



TCP/IP	Dual Stack
IP Mode	Dual Stack
IP Address Resolution	DHCP / Autonet
IP Address	"192.104.102.100"
Subnet Mask	"255.255.255.0"
Gateway Address	"192.104.102.254"
IP Filter	Disabled
Status	Ready

If an IP address is listed, skip the following procedure.

If an IP address is not listed, or if you want to change the current IP address, configure the setting using the following procedure.

Note

- For information on how to print the [Configuration Report], refer to "Printing a Report/List" (P. 36).
- The printer can also obtain its IP address by using a BOOTP or RARP server. If using a BOOTP or RARP server, set [Get IP Address] to [BOOTP] or [RARP].
- If using a DHCP server, the printer's IP address may change without notice. Make sure to check the address periodically.

The following explains how to set up an IP address on the Control Panel. Depending on your network environment, your printer also needs a subnet mask and gateway address. Consult your network administrator for the settings required for your printer.

■ To Set the IP Address

1. On the control panel, press the <Menu> button to display the menu screen.

```
Menu
LanguageEmulation
```

2. Press the <▼> button until [Admin Menu] is displayed.

```
Menu
Admin Menu
```

Note

- If you went past the desired item, return to the item by pressing the <▲> button.

3. Press the <▶> or <OK> button to select. [Network/Port] is displayed.

```
Admin Menu
Network/Port
```

Note

- If you pressed the <▶> or <OK> button on the wrong item, return to the previous screen by pressing the <◀> or the <Return> button.
- To start over from the beginning, press the <Menu> button.

4. Press the <▶> or <OK> button to select. [LPD] is displayed.

```
Network/Port
LPD
```

Note

- [Parallel] appears only when the Parallel Port (optional) is installed.

5. Press the <▼> button until [TCP/IP Settings] is displayed.

```
Network/Port
TCP/IP Settings
```

6. Press the <▶> or <OK> button to select. [IP Mode] is displayed.

```
TCP/IP Settings
IP Mode
```

7. Press the <▼> button until [IPv4 Settings] is displayed.

```
TCP/IP Settings
IPv4 Settings
```

8. Press the <▶> or <OK> button to select. [Get IP Address] is displayed.

```
IPv4 Settings
Get IP Address
```

9. Press the <▶> or <OK> button to select. The current set value is displayed.

```
Get IP Address
•DHCP/Autonet
```

10. Press the <▼> button until [STATIC] is displayed.

```
Get IP Address
STATIC
```

11. Press the <OK> button to confirm your selection. If [000.000.000.000] appears, skip to step 15.

```
Get IP Address
•STATIC
```

12. Press the <◀> or <Return> button to return to [Get IP Address].

```
IPv4 Settings
Get IP Address
```

13. Press the <▼> button to display [IP Address].

```
IPv4 Settings
IP Address
```


14. Press the <▶> or <OK> button to select.
The current IP address is displayed.

```
IP Address
•000.000.000.000
```

15. Enter the value in the first field using the <▲> or <▼> button, and press the <▶> button.

```
IP Address
192.000.000.000
```

Note

- If you do not need to change the setting, press the <▶> button to advance to the next field.
- Pressing the <▲> and <▼> buttons simultaneously increments the value by 10.
- To return to the previous field, press the <◀> button.

16. Enter the rest of the fields in the same manner. After entering the last (4th) field, press the <OK> button to confirm your entry.

```
IP Address
•192.168.001.100
```

17. If you want to set a subnet mask and gateway address, press the <Return> button and proceed to Step 18.
If you want to finish configuring the settings, proceed to Step 25.

■ To Set the Subnet Mask/Gateway Address

18. Press the <▼> button until [Subnet Mask] is displayed.

```
IPv4 Settings
Subnet Mask
```

19. Press the <▶> or <OK> button to select.
The current subnet mask is displayed.

```
Subnet Mask
•000.000.000.000
```

20. Enter the subnet mask in the same way you entered the IP address, and press the <OK> button to confirm your entry.

```
Subnet Mask
•255.255.255.000
```

21. Press the <Return> button to return to [Subnet Mask].

```
IPv4 Settings
Subnet Mask
```

22. Press the <▼> button to display [Gateway Address].

```
IPv4 Settings
Gateway Address
```

23. Press the <▶> or <OK> button to select.
The current gateway address is displayed.

```
Gateway Address
•000.000.000.000
```

24. Enter the gateway address in the same way you entered the IP address, and press the <OK> button to confirm your entry.

```
Gateway Address
•192.168.001.254
```

25. The setup is now complete.
Press the <Menu> button to close the menu.
The printer automatically restarts.

26. Print the [Configuration Report] to verify your settings.

Setting an IP Address (IPv6)

The printer can use an IPv6 address in an IPv6 network environment.

By default, the printer [IP Mode] is set to [Dual Stack] to automatically detect either IPv4 or IPv6. If you connect the printer to an IPv6 network, an IPv6 address is automatically set.

Print the [Configuration Report] to verify the IPv6 address.

Note

- When setting the fixed IPv6 address on the printer, use CentreWare Internet Services to manually configure the settings. Then print the [Configuration Report] to verify the automatically set address. Use this address to access CentreWare Internet Services. Set the IPv6 address [Properties] tab > [Connectivity] > [Protocols] > [TCP/IP]. For information about each setting, refer to the online help for CentreWare Internet Services. For information about your network environment, consult with your network administrator.
- For more information on CentreWare Internet Services, refer to "Configuring the Printer Using CentreWare Internet Services" (P. 26).

IPv6	
Enable Manual Address	Disabled
Auto Configure	
Link-Local Address	"fe80::a00:37ff:fe60:fa0"
Auto Stateless Address 1	""
Auto Stateless Address 2	""
Auto Stateless Address 3	""
Auto Gateway Address	""
IP Filter	Disabled
Status	Ready

Note

- For information on how to print the [Configuration Report], refer to "Printing a Report/List" (P. 36).

Configuring the Printer Using CentreWare Internet Services

Overview of CentreWare Internet Services

CentreWare Internet Services is a service that allows you to monitor or remotely configure the printer using a web browser when the printer is on a TCP/IP network.

Some of the control panel settings can also be set on the service's [Properties] tab.

Note

- CentreWare Internet Services cannot be used when using the printer as a local printer.



Supported Operating Environments

■ Supported Web Browsers

CentreWare Internet Services has been tested to work on the following web browsers.

Windows Vista	Windows Internet Explorer 7
Windows XP	Microsoft Internet Explorer 6 SP2, Netscape 7.1 Navigator, Mozilla Firefox 1.5
Windows 2000	Microsoft Internet Explorer 6 SP2
Mac OS X 10.4.10	Safari 1.3
Mac OS X 10.3.9	Netscape 7.1 Navigator
Mac OS 9.2.2	Netscape 7.02 Navigator

■ Setting Up a Web Browser

When using CentreWare Internet Services, we recommend you specify the address of the printer without using a proxy server.

Note

- If you access CentreWare Internet Services using a proxy server, the response from the service may be slow or the service may not be displayed.
- For information on how to set up your web browser, refer to the online help for the web browser.

If you want to change the display language of CentreWare Internet Services, change the display language of your web browser.

Note

- For information on how to change the display language of your web browser, refer the online help for the web browser.

Also, if CentreWare Internet Services does not operate properly, use the following steps to configure your web browser.

The procedure uses Internet Explorer 6.0 as an example.

1. From the [Tools] menu, select [Internet Options].
2. On the [General] tab, click [Settings] under [Temporary Internet Files].
3. Under [Check for newer versions of stored pages:] on the [Settings] dialog box, select either [Every visit to the page] or [Every time you start Internet Explorer].
4. Click [OK].
5. Click [OK] on the [Internet Options] dialog box.

■ Setting Up the Printer

To use CentreWare Internet Services, you must configure the printer's IP address and enable [InternetServices] (default: [Enabled]). If [InternetServices] is set to [Disabled], change it to [Enabled] on the control panel.

CentreWare Internet Services Settings

The following are the main features on each tab of CentreWare Internet Services.

Tab Name	Menu Name	Feature
Status	General	Displays the name, IP address, and status.
	Trays	Displays the status of paper in the paper tray and the status of the output tray.
	Consumables	Displays the amount and status of the consumables.
Jobs	Active Jobs	Displays a list of jobs being processed.
	Job History List	Displays a list of completed jobs.
	Error History	Displays error information stored in the error log. Refer to "Error Codes" (P. 67) for more information on error codes.
Print	Job Submission	Select files stored on the computer and print them directly to the printer. The [Print] tab appears only when the hard disk (optional) is installed.
Properties	Configuration Overview	Displays a button to move between pages showing an overview of functions on the [Properties] tab.
	Description	Displays the printer's product name and serial number. You can also set the name ^{*1} , location ^{*1} , contact person ^{*1} , administrator's e-mail address ^{*1} , and machine's e-mail address ^{*1} .
	General Setup	The current setting is displayed. You can also set other items. <ul style="list-style-type: none"> Setting Configuration / Job Management / Paper Tray Attributes / Paper Settings / Power Saver/Energy Saver Settings / Stored Document Settings / Memory Settings / Internet Services Settings ^{*1} / Cloning / Calibration / Setup E-mail Notification ^{*1} / Counters
	Connectivity	You can check and change Network-related settings like ports and protocols.
	Services	Allows configuration of print mode, Language Emulations, e-mail ^{*1} , and Custom Services ^{*1} settings.
	Accounting ^{*1}	You can configure settings related to accounting. <ul style="list-style-type: none"> Setting Xerox Standard Accounting / Accounting Configuration / Accounting Login Screen Settings
	Security ^{*1}	You can configure settings related to security ^{*1} . <ul style="list-style-type: none"> Setting Authentication Configuration / User Details Setup / Remote Authentication Servers / IP Filtering / Audit Log / Machine Digital Certificate Management / IPsec / Certificate Management / 802.1x / SSL/TLS Settings / Watermark / Job Status Default / System Administrator Settings ^{*2}
Support	Displays a link to support information and a site for ordering consumables.	

^{*1} These settings can only be set using CentreWare Internet Services. They cannot be configured on the control panel. Some security features are not supported on the model available in China.

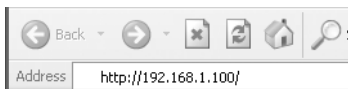
^{*2} You can set the administrative ID and password. The default system administrator ID and password are "11111" and "x-admin", respectively.

Using CentreWare Internet Services

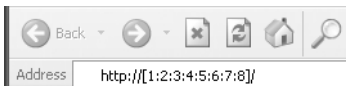
Follow these steps when accessing CentreWare Internet Services.

1. Start your computer and launch a web browser.
2. In the URL field, enter the IP address or URL of the printer, and press the <Enter> key. The top page of CentreWare Internet Services is displayed.

- Example - IP address for IPv4



- Example - IP address for IPv6



- Example - URL



Note

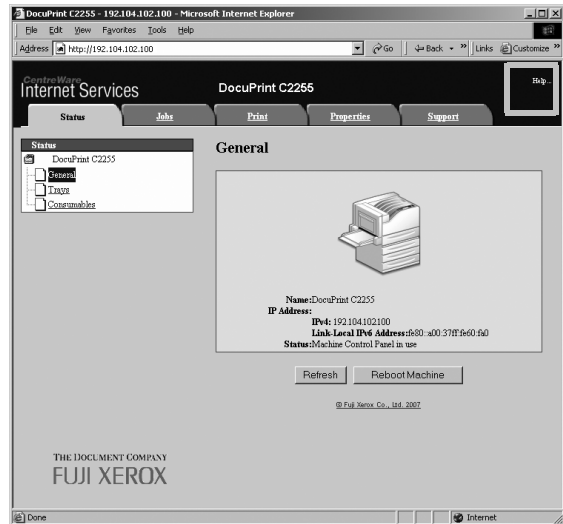
- When specifying a port number, enter a “.” (colon) and then “80” (the factory default port number) after the address. Verify the printer's port number by printing [Configuration Report].
- The port number can be changed under the [Properties] tab > [Connectivity] > [Protocols] > [HTTP]. If you change the port number, you must enter a “.” (colon) and then the port number after the address.



- Displays a screen for entering the user name and password when the Authentication function is set. Enter the ID and password of the administrator or user registered on the printer. Contact your administrator for information on your ID and password.
- When data encryption is enabled, enter “https” instead of “http” before the address when accessing CentreWare Internet Services.

Using the Online Help

For information about the settings on each screen, refer to the online help for CentreWare Internet Services. Click [Help] to display the [Help] window.



Installing a Print Driver

To print from your computer, install the PCL print driver from the Driver CD Kit CD-ROM.

The installation procedure varies depending on how your computer is connected to the printer.

For installation instructions, refer to the ‘CD-ROM Documentation (HTML)’ on the CD-ROM.

Note

- For information about PostScript print drivers, refer to the manual on the PostScript Driver Library CD-ROM.

Uninstalling a Print Driver and Other Software

■ To Uninstall a Print Driver

Your print driver can be uninstalled using the uninstallation tool contained on the Driver CD Kit CD-ROM. For more information, refer to the ‘CD-ROM Documentation (HTML)’ on the CD-ROM.

■ To Uninstall Other Software

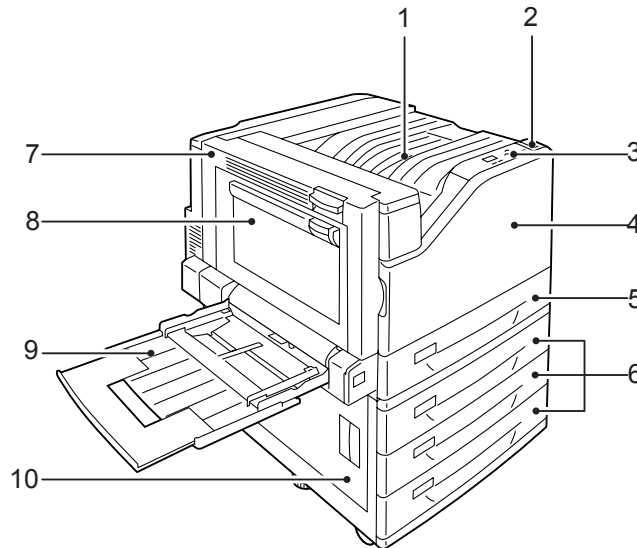
When uninstalling other software installed from the Driver CD Kit CD-ROM, refer to the “Readme” file provided for each software. The “Readme” files can be viewed under the ‘Product Information (HTML)’ included on the Driver CD Kit CD-ROM.

2 Basic Operation

Main Components and Functions

Main Unit

Front view

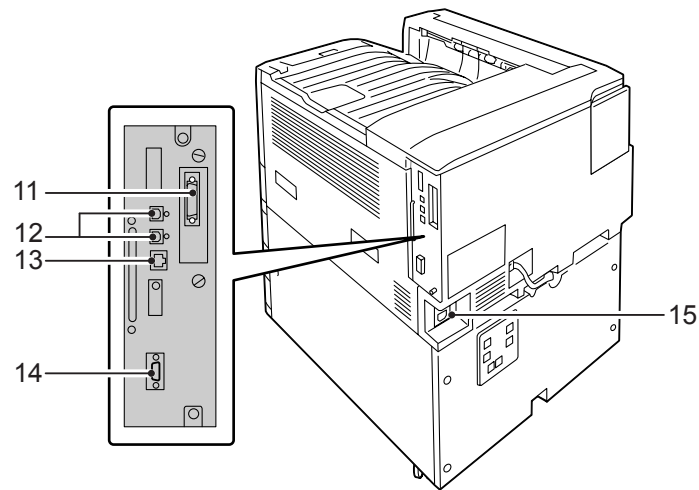


Note

- The illustrations in this guide show the printer with the Duplex unit and 3 Tray Module installed.

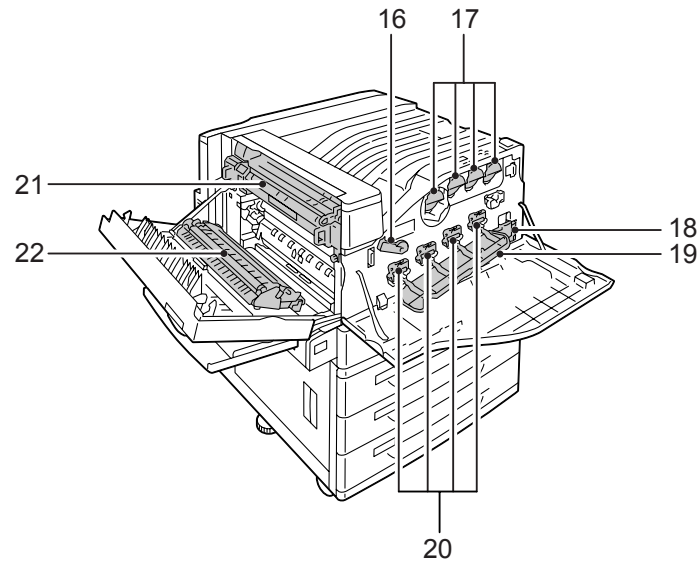
No.	Name	Description
1	Center tray	Delivers printed output face down here.
2	Power switch	Switches the printer on/off.
3	Control panel	Consists of the control buttons, indicator lamps, and a display.
4	Front cover	Opened when replacing the consumables.
5	Paper tray 1	Load paper here. This is the standard paper tray.
6	Paper trays 2, 3, & 4 (Optional 3 Tray Module)	Load paper here when the optional 3 Tray Module is installed.
7	Cover A	Open to clear paper jams. This cover is normally locked, so the release lever needs to be raised to open it.
8	Cover B	Open to clear a paper jam when 2-Sided Print is enabled.
9	Paper tray 5 (Bypass tray)	Use this tray to print on paper that cannot be loaded in paper trays 1, 2, 3, or 4.
10	Cover C	Open to clear paper jams if multiple trays are installed.

Back



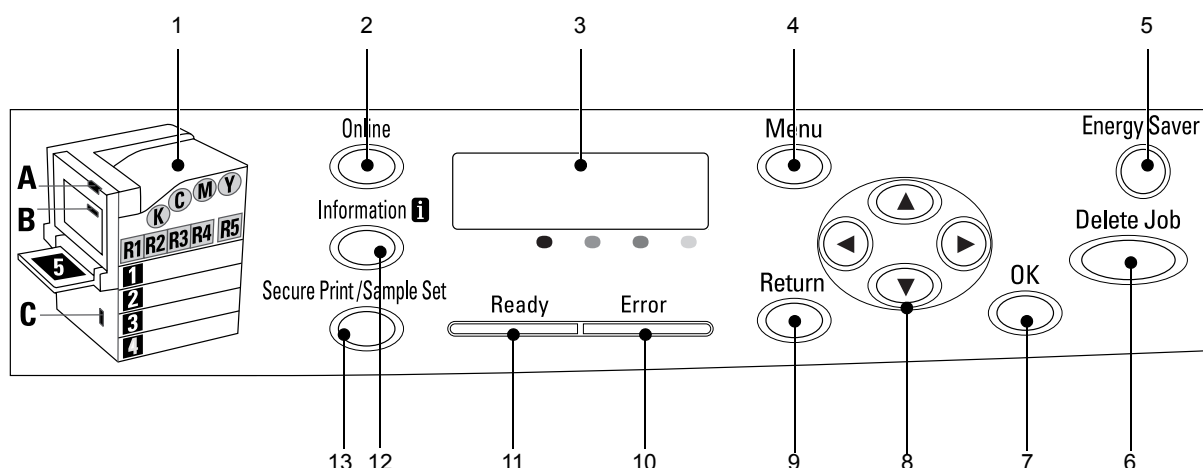
No.	Name	Description
11	Parallel connector (option)	Installing a Parallel Port (option) allows connection of a Centronics interface cable.
12	USB 2.0 connector	Allows connection of a USB 2.0 cable.
13	Ethernet connector	Allows connection of a 10Base-T/100Base-TX Ethernet interface cable.
14	Expansion device connector	Allows connection of expansion devices supported by the printer.
15	Power cord connector	Connects the power cord to the printer.

Interior



No.	Name	Description
16	Lever	Unlocks the drum cartridge cover when replacing the drum cartridges.
17	Toner cartridges	For loading of four toner (imaging agent) colors: black (K), cyan (C), magenta (M), and yellow (Y).
18	Waste toner bottle	For loading of a waste toner bottle to collect used toner.
19	Drum cartridge cover	Open to replace the drum cartridges or to clean the interior.
20	Drum cartridges	For loading of photosensitive drums. Drum cartridge names from left to right when facing the printer are R1, R2, R3, and R4.
21	Fuser unit	Fuses the toner to the paper. This is a high-temperature component, so take care not to touch it.
22	Transfer unit	Transfers toner from the transfer belt to the paper.

Control panel

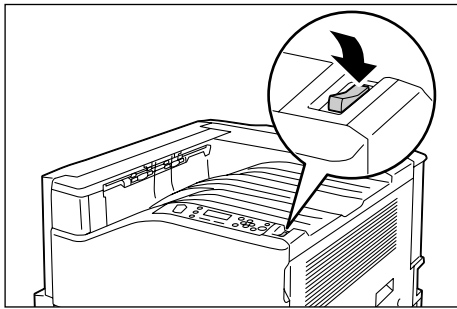


No.	Name	Description
1	Indicators	In the event of an error, use this to verify the location indicated in an error message displayed on the display.
2	<Online> button	Pressing the <Online> button takes the printer offline. The <Ready> lamp is off and printing is not done while the printer is offline. Pressing the <Online> button again takes the printer back online (printing enabled).
3	Display	Displays the status of the printer, menu options, and messages.
4	<Menu> button	Pressed to display the menu screen.
5	<Energy Saver> button/lamp	Pressed to exit Energy Saver mode. The lamp lights while the printer is in Energy Saver mode. The lamp flashes while the hard disk (option) is being accessed.
6	<Delete Job> button	Pressed to stop printing.
7	<OK> button	Pressed to confirm the menu option selected on the menu screen. This button is used also when printing reports/lists.
8	<▲> <▼> <◀> <▶> buttons	Pressed to advance to the next menu, item, or option. Note • When using the <▲> and <▼> buttons to change the current setting, holding down either button cycles through available settings at high speed. To display a setting's default value, press <▲> and <▼> at the same time.
9	<Return> button	Press this button while the menu screen is displayed to return to the previous item.
10	<Error> lamp	Blinks or lights when an error occurs.
11	<Ready> lamp	Lights when the printer is ready to print.
12	<Information> button	Pressing this button while the i mark is on the display will display detailed information about some current event.
13	<Secure Print/Sample Set> button	Press to perform Secure Print/Sample Set operation. Note • To use the Secure Print/Sample Set feature, the hard disk (optional) must be installed.

Switching On/Off the Power

Switching On the Power

1. Press the <|> side of the printer's power switch to turn on the power.



2. This will cause [Please Wait...] to appear on the control panel display. Wait until the display message changes to [Ready to print].

Note

- The [Please Wait...] message indicates the printer is warming up. Printing cannot be done while this message is displayed.
- If an error message is displayed, refer to "Error Messages (in Alphabetical Order)" (P. 62) to remedy the error.

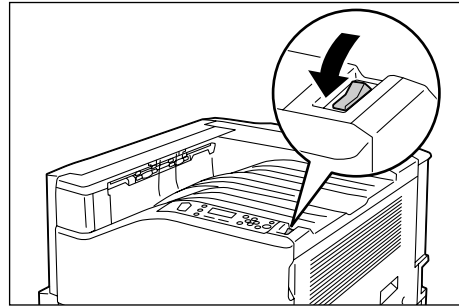
Switching Off the Power

Important

- Do not switch the power off when the <Energy Saver> lamp is blinking. The <Energy Saver> lamp flashes if the hard disk (option) is being accessed while the printer is in the power saver mode.
- Do not switch the power off when the display reads [Please wait...].
- Do not switch the power off during printing. Doing so can cause paper jams.
- Turning off power causes any print data or other data in the printer to be deleted.
- After you turn off the power, the printer remains on for a short while as it performs an internal power off procedure. Do not unplug the power cord immediately after turning off the power switch.
- After turning off the power, make sure the control panel display is blank before turning the printer back on again.

1. Make sure that the printer is not in operation by checking the display or indicator lamps.

2. Press the <⏻> side of the printer's power switch to turn off power.



About the Ground Fault Interrupter

A ground fault interrupter is located on the back left of the printer.

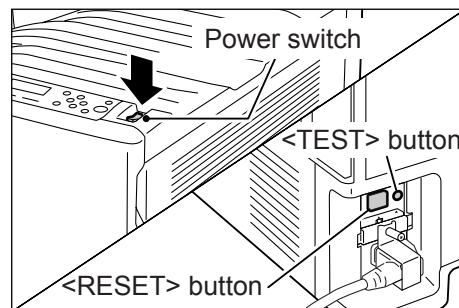
It protects against ground leakage, fire, and other problems by breaking the electrical circuit automatically whenever ground leakage from the printer occurs.

If the ground fault interrupter is triggered, check the insulation of the printer's wiring and then press the <RESET> button.

If the insulation of the printer's wiring has not been fixed, the ground fault interrupter will trigger again. If this happens, contact our Customer Support Center.

At least once a month, turn off the printer's power switch to check operation of the ground fault interrupter. Improper operation creates the risk of electric shock.

If you discover any abnormality with the ground fault interrupter, contact our Customer Support Center.



Refer to

- For information on how to test the ground fault interrupter, refer to "Operational Safety" (P. 12)

Setting/Exiting the Energy Saver Modes

Entering the Energy Saver Modes

The printer has Energy Saver modes that reduce electric power consumption while the printer is in standby. There are two Energy Saver modes: a Low Power mode (70 W average) and a Sleep mode (3 W maximum).

The sleep mode completely turns off all power except for the controller's receiver to minimize power consumption. Note, that the warm up time required to recover from sleep mode is the same as when the power is turned on.

The Low Power mode does not turn off power completely, but it strikes a balance between power consumption and warm up time by keeping the fuser's temperature between full and Sleep mode.

The initial factory default settings for both the Low Power mode/Sleep mode trigger times are [1 Minutes], so the printer will go directly into Sleep mode without going into the low power mode whenever no print data is received by the printer for one minute.

Low Power/Sleep mode triggering can be turned on or off, and the Low Power/Sleep mode trigger time can be set within a range of 1 to 240 minutes.

Note

- The printer can be configured to use just the Low Power mode or Sleep mode.
- Both Low Power mode and Sleep mode triggering cannot be disabled at the same time.

Exiting the Energy Saver Modes


The printer automatically exits the Energy Saver modes when it receives a print job from a computer.

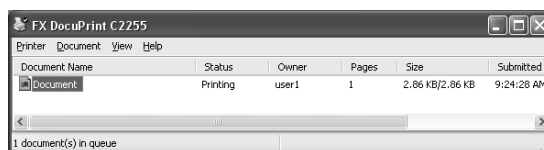
You also can exit the Energy Saver modes manually by pressing the <Energy Saver> button on the control panel.

Canceling a Print Job

Print jobs can be canceled either from your computer or the control panel.

Canceling a Print Job Being Processed on a Computer

1. Double-click the printer icon  on the task bar at the lower right corner of your monitor.
2. Select the name of the document whose print job you want to cancel, and then delete it by pressing the <Delete> key.



Note

- If you cannot find the document in the window, cancel the document on the control panel.
- You also can cancel a print job on the [Jobs] tab of CentreWare Internet Services. For information about the procedure you should use, see CentreWare Internet Services help.

Canceling a Print Job being Printed/Received on the Printer

Press the <Delete Job> button on the control panel. Note that the page currently being printed continues to print.

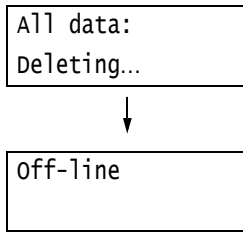
Canceling all Data Received by the Printer

You can use the following procedure to cancel printing all data, for instance after adding a very large document to the print queue.

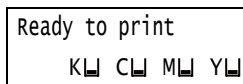
1. Press the <Online> button on the control panel.
This causes [Off-line] to appear on the display.

Off-line
Data in memory

- Press the <Delete Job> button.
This starts the cancellation process. [Off-line] reappears after the process is complete.



- Press the <Online> button.
The [Ready to print] screen reappears.



Importing Printer Information to a Print Driver

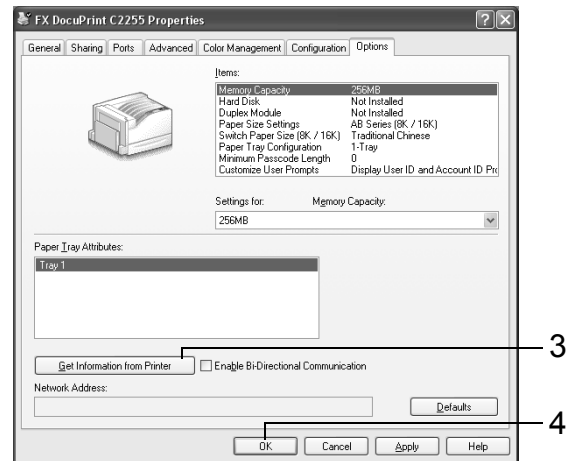
If your printer is networked, you can import printer information (such as accessory configuration, and sizes and types of paper in the paper trays) into your print driver using SNMP protocol. This can be done on the [Options] tab on your print driver. The following procedure is described based on Windows XP. After installing the print driver, use this procedure to add options and configure paper settings.

Note

- This function is not available when the printer is being used as a local printer. In this case, configure settings of the applicable print driver items manually. Also note that during use as a local printer, the paper types and paper sizes loaded in the trays are not displayed.
- To use this function, the control panel must be used to enable the printer's SNMP port (Initial default: [Enabled]).
- With Windows 2000, Windows XP, and Windows Vista, settings can be changed only by a user with administrator privileges. Users without administrator privileges can only view the settings.

- On the [Start] menu, select [Printers and Faxes] and display the properties of the printer being used.
- Click the [Options] tab.

- Click [Get Information from Printer].



The printer information is imported to the print driver.

- Click [OK].
The contents of the [Options] tab are updated using the information obtained from the printer.

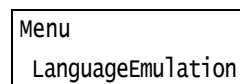
Note

- The paper sizes and orientations displayed in [Paper Tray Attributes] are those automatically detected by the printer.
- The paper type and color in [Paper Tray Attributes] is based on readings of settings configured with the control panel.

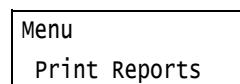
Printing a Report/List

The reports/lists can be printed using the control panel. The procedure below shows how to print the [Configuration Report]. The same basic procedure can be used to print the other reports and lists.

- Press the <Menu> button on the control panel to display the menu screen.



- Press the <▼> button until [Print Reports] is displayed.



3. Press the <▶> or <OK> button to select.
[Job History] is displayed.

Print Reports
Job History

4. Press the <▼> button until [Configuration] is displayed.

Print Reports
Configuration

5. Press the <▶> or <OK> button to select.
A print start confirmation screen appears.

Configuration
Use OK to print

6. Press the <OK> button to print.
The report is printed.
7. When you are finished printing, press the <Menu> button to return to the [Ready to print] screen.

3 Printing

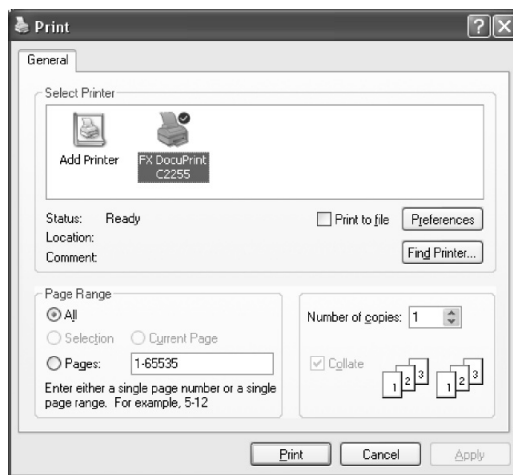
This chapter describes various printing methods using a PCL print driver.

Printing from a Computer

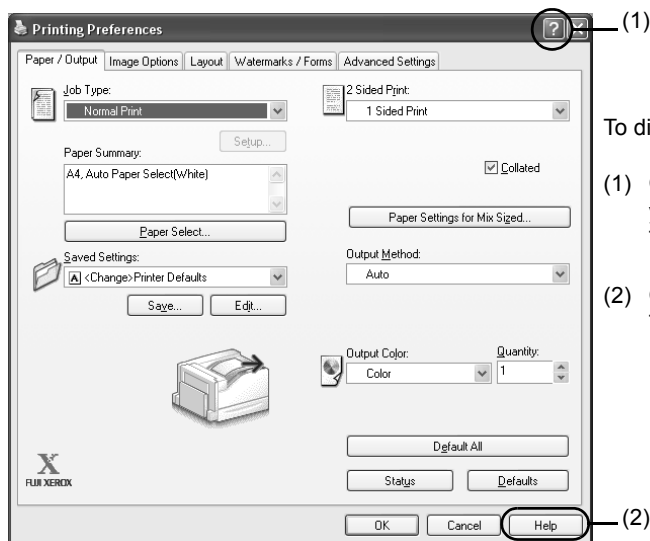
This section outlines the basic procedure for sending print jobs from Windows applications. The procedure uses Windows XP WordPad as an example.

(The actual procedure may vary depending on the application being used.)

1. On the [File] menu of your application, select [Print].
2. Use the [Select Printer] box to select the printer and then display the Properties dialog box. In Windows XP WordPad, click [Preferences] to display the dialog box.



3. Click the desired tab and configure print features as required. When you are finished with the settings, click [OK] to close the dialog box. For details on the print features, refer to the online help for the print driver.



To display online help:

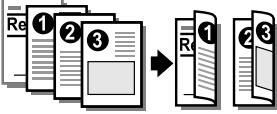


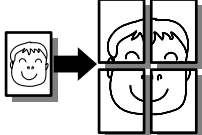
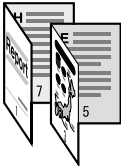
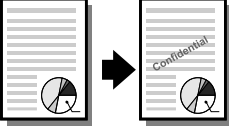
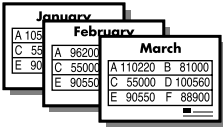
(1) Click [?] and then the item for which you need help. The help for the item appears.

(2) Click [Help]. The [Help] window appears.

4. Click [Print] on the [Print] dialog box to start printing.

Print Features in the Properties Dialog Box

The following introduces some of the print features available on each tab of the print driver. For details on each feature, refer to the online help for the print driver.

Tab	Feature		
Paper/Output	<ul style="list-style-type: none"> • 2-Sided Print Prints documents on both sides of the paper. 	<ul style="list-style-type: none"> • Saved Settings Allows registration of frequently-used print settings. The printer can be configured with multiple settings simply by selecting an item from the list. Settings can be edited and pre-registered as required. 	<ul style="list-style-type: none"> • Secure Print Allows temporary storage of a document in the printer for manual printing from the control panel.
	<ul style="list-style-type: none"> • Sample Set Allows printing of a proof copy of a multi-set job. After the proof copy is checked, the remainder of the job can be printed from the control panel. 	<ul style="list-style-type: none"> • Delayed Print Allows printing at a specified time. 	<ul style="list-style-type: none"> • Covers Allows printing on paper of a specific color and thickness for covers only. Click [Paper Select] to set this item.
	<ul style="list-style-type: none"> • Transparency Separators Automatically places separators between documents when printing on transparencies. Click [Paper Select] to set this item. 		
Image Options	<ul style="list-style-type: none"> • Image Types Allows you to define the type of the original and print it at optimal print quality. 		
Layout	<ul style="list-style-type: none"> • Multiple-Up Prints multiple pages onto one sheet of paper. 	<ul style="list-style-type: none"> • Poster Allows you to divide and enlarge an original document to copy the image onto multiple sheets of paper. You can then paste them together to make one large poster. 	
	<ul style="list-style-type: none"> • Booklet Creates a booklet from a set of 2 sided documents. It correctly positions each page to produce output, that when folded, will be ordered to read like a booklet. 		
Watermarks/Forms	<ul style="list-style-type: none"> • Watermarks Adds a watermark such as "Confidential" underneath an original image. 	<ul style="list-style-type: none"> • Forms Stores frequently-used forms in the printer. This saves the time required to send a form to the printer each time it is required. 	

Note

- The Properties dialog box also can be displayed by clicking the printer icon on the [Printers and Faxes] window (or the [Printers] window depending on the operating system you are using). The settings configured here will be the defaults of the features when the dialog box is accessed from an application.

4 Paper

About Paper

Using paper that is not appropriate for the printer can cause paper jams, image quality problems, or printer failure. Use only paper that is appropriate for the printer.

⚠ WARNING

- Do not use conductive paper such as carbonic paper or coated paper. When paper jam occurs, it may cause short-circuit and eventually a fire accident.

Supported Paper


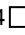
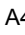
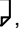

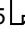


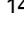
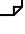
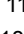
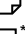
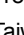

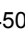

Supported Paper Sizes and Types

The following table lists the supported paper sizes and paper types, and the capacity of each paper tray.

Note

- G.S.M. (gram per square meter) refers to a weight in grams of one square meter of paper.

Paper Tray	Paper Size	Paper Type (G.S.M.)	Maximum Capacity
Bypass tray	A3, B4, A4, A4, B5, B5, A5, A5, A6, B6, 11 x 17", 11 x 15", 8.5 x 14", 8.5 x 13", 8.5 x 11", 8.5 x 11", 9 x 11" (Cover Letter), 12 x 18", 4 x 6" (Post Card), 5 x 7" (photo 2L-size), A4 Cover (223 x 297 mm), 8K (Taiwan, China), 16K (Taiwan, China), 16K (Taiwan, China), SRA3 (320 x 450 mm), Envelope (C5), C4, No. 10, Monarch, DL, Postcard (100 x 148mm, 148 x 200mm), Envelope (120 x 235mm), Custom Paper (Width: 88.9 - 320 mm, Length: 98.4 - 1200 mm)	Plain (60 - 79 g/m ²), Recycled (60 - 79 g/m ²), Bond (80 - 105 g/m ²), Lightweight (55 - 59 g/m ²), Heavyweight (106 - 169 g/m ²), Extra Heavyweight (170 - 256 g/m ²), Label, Gloss (106 - 169 g/m ²), Heavyweight Gloss (170 - 256 g/m ²), Transparency	100 sheets (Fuji Xerox P paper) or 10 mm max. Important • Load coated paper one sheet at a time. When multiple sheets are loaded in the paper can cause moisture in the paper can cause multi-feeds and printer failure.
Tray 1 (standard)	A3, B4, A4, A4, B5, B5, A5, 11 x 17", 8.5 x 14", 8.5 x 13", 8.5 x 11", 8.5 x 11", 8K (Taiwan, China), 16K (Taiwan, China), Custom Paper (Width: 139.7 - 297 mm, Length: 182.0 - 431.8 mm)	Plain (60 - 79 g/m ²), Recycled (60 - 79 g/m ²), Bond (80 - 105 g/m ²), Heavyweight (106 - 169 g/m ²), Extra Heavyweight (170 - 256 g/m ²), Label, Gloss (106 - 169 g/m ²), Heavyweight Gloss (170 - 256 g/m ²), Transparency	560 sheets (Fuji Xerox P paper)

Paper Tray	Paper Size	Paper Type (G.S.M.)	Maximum Capacity
Tray 2 - 4 (optional)	A3  , B4  , A4  , A4  , B5  , B5  , A5  , 11 x 17"  , 8.5 x 14"  , 8.5 x 13"  , 8.5 x 11"  , 8.5 x 11"  , 12 x 18"  *1, 8K (Taiwan, China)  , 16K (Taiwan, China)  , SRA3 (320 x 450 mm)  *1, Custom Paper (Single Tray Module: Width: 139.7 - 320.0 mm, Length: 182.0 - 457.2 mm) (3 Tray Module: Width: 139.7 - 297.0 mm, Length: 182.0 - 431.8 mm)	Plain (60 - 79 g/m ²), Recycled (60 - 79 g/m ²), Bond (80 - 105 g/m ²), Heavyweight (106 - 169 g/m ²), Extra Heavyweight (170 - 256 g/m ²), Label, Gloss (106 - 169 g/m ²), Heavyweight Gloss (170 - 256 g/m ²), Transparency	560 sheets per tray (Fuji Xerox P paper)

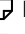
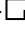

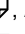
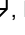


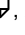


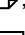




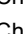


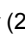
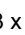
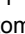
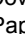
*1: Can be loaded when a Single Tray Module (option) is installed.

Important

- Be sure to load paper that meets the above requirements in each paper tray. Also be sure to select the correct paper sizes, paper types, and paper trays when sending print requests from your print driver. Loading paper that is not supported or configuring wrong settings can cause paper jams.
- Moisture, such as water, rain, and humidity can cause print images to come off from paper. For more information, contact our Customer Support Center or your dealers.

■ Paper for 2-Sided Printing

The following sizes and types of paper can be used for 2-sided printing when using the Duplex unit (optional).

Paper Size	Paper Type
A3  , B4  , A4  , A4  , B5  , B5  , A5  , A5  , B6  , 11 x 17"  , 8.5 x 14"  , 8.5 x 13"  , 8.5 x 11"  , 8.5 x 11"  , 8K (Taiwan, China)  , 16K (Taiwan, China)  , 16K (Taiwan, China)  , SRA3 (320 x 450 mm)  , 11 x 15"  , A4 Cover (223 x 297 mm)  , 9 x 11" (Cover Letter)  , 12 x 18"  Custom Paper (Width: 128.0 - 320.0 mm, Length: 139.7 - 457.2 mm)	Plain (60 - 79 g/m ²), Recycled (60 - 79 g/m ²), Bond (80 - 105 g/m ²), Heavyweight (106 - 169 g/m ²), Gloss (106 - 169 g/m ²)*1

*1: 2-Sided printing is supported by paper loaded into the bypass tray only.

Note

- If you want to print on both sides of a type of paper that is not supported for duplex printing, print the front side and then reload the paper manually and print the reverse side (this is only possible if the front side was printed with this machine). In this case, set the paper type in the print driver to [xxx Reload] (xxx: paper type).
- Depending on paper quality, paper fiber orientation, and other factors, proper printing may not be possible with some types of paper. The use of standard paper is recommended.

Supported Paper Specifications

If using general paper (commercially available paper), make sure that it meets the following specifications. To achieve the best print quality, however, we recommend you to use standard paper instead.

Paper Tray	Specifications (G.S.M.)
Bypass tray	55 - 256 g/m ²
Tray1	60 -256 g/m ²
Tray 2 - 4 (optional)	60 -256 g/m ²

Standard Paper and Tested Paper

The following paper and media are recommended or have been tested on the printer. For information about other paper or media, contact our Customer Support Center or your dealers.

Product Name	G.S.M.	Paper Type Setting	Image Quality Process	Paper Characteristics and Precautions
Colortech+90	90 g/m ²	Bond	A	The standard paper for this printer, for both monochrome and color printing.
P Paper	64 g/m ²	Plain	B	Medium-thickness paper for in-house documents and general office use
C2 Paper	70 g/m ²	Plain	B	Paper for general business use, suitable for both monochrome and color printing with minimum see-through.
C2r Paper	70 g/m ²	Recycled	C	70% recycled pulp paper suitable for both monochrome and color printing.
WR100 Paper	67 g/m ²	Recycled	C	100% recycled pulp paper with the whiteness of bond paper.
Green 100 Paper	67 g/m ²	Recycled	C	100% recycled pulp paper with minimum whiteness.
Bright Recycle	67 g/m ²	Recycled	C	70% recycled PPC paper with the whiteness of bond paper and outstanding long-term preservation characteristics.
DR Paper	76 g/m ²	Recycled	C	70% recycled paper for color printing (with eco mark)
ecolor081	81.4 g/m ²	Recycled	D	100% recycled paper whose main material is recycled newsprint Environmentally conscious paper that complies with green purchasing laws.
Recycled Color Paper 100	67 g/m ²	Recycled	C	100% recycled paper whose main material is recycled paper
J Paper	82 g/m ²	Bond	A	Bond paper suitable for a variety of uses, including office documents and color samples.
JW Paper	81 g/m ²	Bond	A	High-whiteness color printer paper
JD Paper	98 g/m ²	Bond	A	Double-sided paper suitable for a variety of uses, including brochures and booklets.

Product Name	G.S.M.	Paper Type Setting	Image Quality Process	Paper Characteristics and Precautions
P (Thick) Paper	78 g/m ²	Plain	B	Thick paper with little see-through, optimal for duplex printing.
Green Paper	75 g/m ²	Plain	B	High-speed printer paper with minimal lint generation and outstanding write ability
Ncolor081	81.4 g/m ²	Bond	A	Color printing paper with higher whiteness than J and JD paper. Environmentally friendly paper 100% sourced from plantation-grown trees.
Ncolor104	104.7 g/m ²	Bond	A	
Ncolor157	157 g/m ²	Heavyweight	A	
Ncolor209	209.3 g/m ²	Extra Heavyweight	A	
Color Copy	90/100 g/m ²	Bond	A	Bond paper with high whiteness and high smoothness
	120/160 g/m ²	Heavyweight	A	
	200/250 g/m ²	Extra Heavyweight	A	
OK Prince Bond	104.7 g/m ²	Bond	A	Bond paper with adequate whiteness and opacity
	127.9/157 g/m ²	Heavyweight	A	
	209.3 g/m ²	Extra Heavyweight	A	
JD Coated Paper	127.9/157 g/m ²	Gloss	-	Double-sided coated paper ideal for brochures and leaflets. Can be loaded in the bypass tray one sheet at a time.
	104 g/m ²	Custom 5	S	
Mirror Coated Platinum	157 g/m ²	Gloss	-	Can be loaded in the bypass tray one sheet at a time.
	256 g/m ²	Heavyweight Gloss	-	
OK Top Coated N	128 g/m ²	Gloss	-	
Transparency A4 Clear (GAAA5224)	-	Transparency	-	Transparencies without frames Can be loaded in the bypass tray. Leaving printed transparencies on the output tray can cause them to stick together. Remove them from the center tray every 20 prints or so to fan them and cool them off.
Label (V860/V862)	-	Labels	-	This is sticker paper. There are two types: 1 sticker per sheet and 20 stickers per sheet Note • Due to the characteristics of this type of paper, it may curl. When printing consecutively on multiple label sheets, remove them from the center tray as soon as they are delivered. Make sure to read and follow the documentation supplied with the label sheets when handling them.
Ncolor Envelope	104.7 g/m ²	Extra Heavyweight	A	Can be loaded in the bypass tray. Refer to "Supported Paper Sizes and Types" (P.40) for the supported envelope sizes.

Unsupported Paper

Do not use the following types of paper or media. They can cause paper jams or printer failure.

- Transparencies other than those recommended
- Special ink jet printer paper and ink jet transparencies
- Paper that is too heavyweight or too lightweight
- Paper pre-printed by another printer or copier
- Wrinkled, creased, or ripped paper
- Damp or wet paper
- Rough or curled paper
- Static-cling paper
- Pasted-up or glued paper
- Specially coated paper
- Color paper with surface treatments
- Paper that uses ink that deteriorates with heat
- Photosensitive paper
- Carbon paper
- Paper with staples, clips, ribbons, or tape
- Paper with a rough surface, such as pulp paper or fibrous paper
- Acid paper (Texts printed on acid paper may blur. Use alkaline paper instead.)
- Envelopes that are not flat, or that have clasps
- Label paper with some labels already peeled off, or that are partially cut off
- Tack film
- Water transfer paper
- Textile transfer paper

Loading Paper

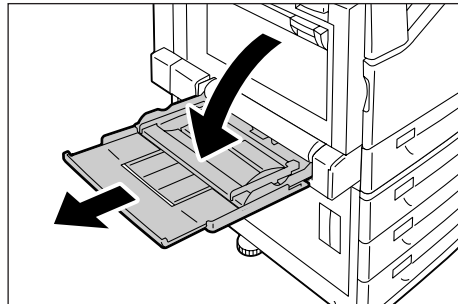
This section explains how to load paper in the bypass tray or trays 1 - 4.

Loading Paper in the Bypass Tray

Important

- Make sure to load paper when the power is on.
- Do not load paper of different types in the same tray.
- Do not remove paper from or add paper to the paper trays during printing. Doing so can cause paper jams.
- Do not place any objects other than paper on the bypass tray. Do not push down the tray or apply an excessive force to the tray.

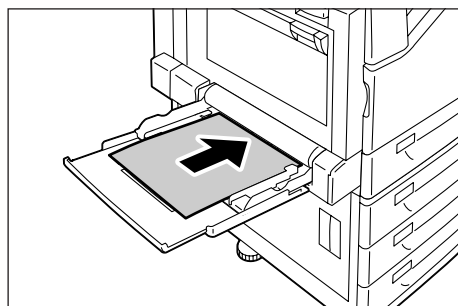
1. Lower the bypass tray.
Extend the tray as required. The extension tray can extend two levels.



2. Load the paper with the print side facing down.

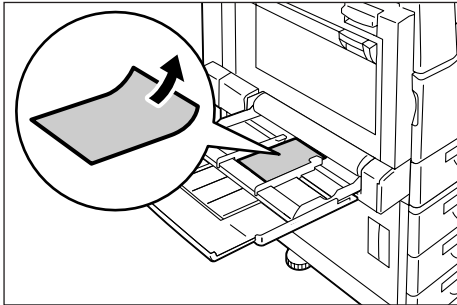
Important

- Do not load paper of different types and sizes into the tray. Doing so can cause paper jams.



Important

- If the paper will not feed into the machine when printing thick paper, curl the leading edge of the paper as shown in the illustration and then load it into the tray. However, paper that is overly curled or creased will cause paper jams.



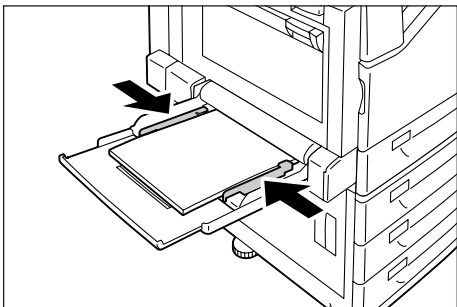
Note

- A different loading method is used when loading envelopes, and long size paper. Refer to "Bypass Tray Feed Orientations for Envelopes" (P. 45) and 'User Guide'.

3. Adjust the paper guides to the size of the paper.

Important

- Make sure that the guides are positioned lightly against the paper. Paper guides that are positioned too tight or too narrow can cause paper jams.
- Do not load paper above the maximum fill-line. Doing so can cause paper jams.

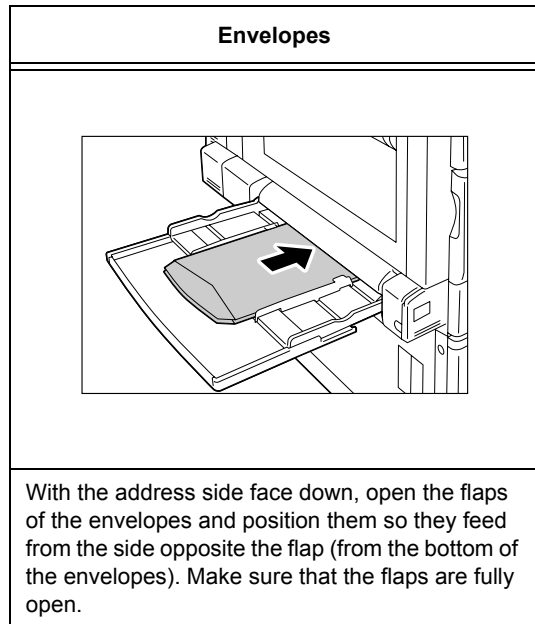


Note

- When printing from the bypass tray, use the print driver to configure paper size and type settings. For more information, refer to the online help for the print driver.
- When printing without using the print driver (such as lpr printing of a PDF file), use the printer's control panel to configure the paper type setting.

Bypass Tray Feed Orientations for Envelopes

Make sure to use the proper orientation whenever loading envelopes into the bypass tray.



Important

- For best print quality, do not use envelopes that:
 - are curled or twisted.
 - are stuck together or damaged.
 - have windows, holes, perforations, cutouts, or embossments.
 - use tie strings, metal clamps, or metal folding bars.
 - have postage stamps attached.
 - have any exposed adhesive when the flaps are closed.
 - have deckle edges or creased corners.
 - are wrinkled, rough or are glued.
 - have adhesive flaps.
- In cases where you must print on envelopes with adhesive flaps, close the flaps and load the envelopes so they feed from the flap side. Loading envelopes with adhesive flaps open can cause a malfunction.

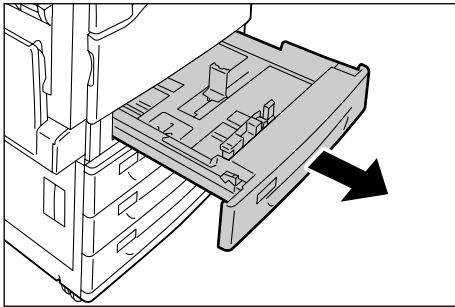
Loading paper into Trays 1 through 4

The following example shows how to load paper into Tray 1. Use the same procedure to load paper into trays 2, 3, and 4.

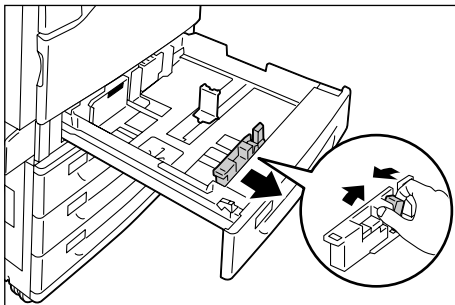
Important

- Do not remove paper from or add paper to the paper trays during printing. Doing so can cause paper jams.
- Make sure that the power is on when loading paper.

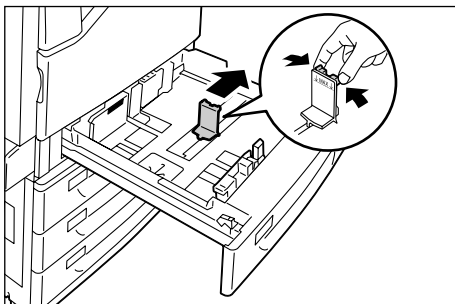
1. Pull out the tray until it stops.



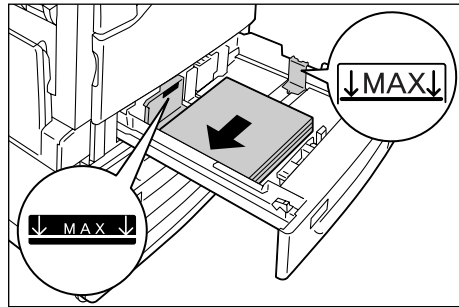
2. Squeezing the top guide clip, slide it towards the front of the tray.



3. Squeezing the side guide clip, slide it towards the right side of the tray.



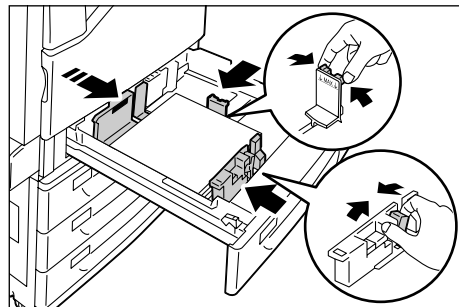
4. Load the paper with its print side facing up and its leading edge aligned with the left side of the drawer.



Important

- Do not load paper of different types into the tray. Doing so can cause paper jams.
- Do not load paper above the maximum fill-line. Doing so can cause paper jams.

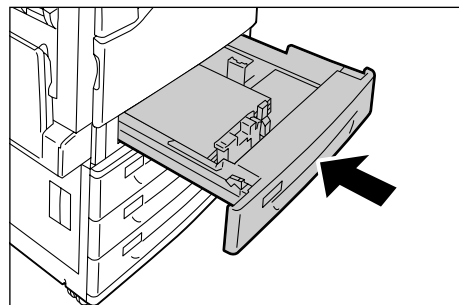
5. Align the top and side paper guides so they are lightly against the paper.



Note

- When loading standard size paper, slide the guides so they are aligned with the applicable size on the scale.

6. Gently slide the tray back in as far as it will go.



Paper Sizes/Paper Types for Trays 1 through 4

Though the printer can detect the size and orientation of paper loaded in paper trays 1 through 4, use the control panel to configure the size setting after loading custom size paper.

Paper type also cannot be detected and so the paper type setting also must be configured. If the paper type setting does not match the actual type of the paper, toner may not fuse properly to the paper, resulting in poor print quality. Make sure to configure the paper type settings correctly. The initial factory default setting for all the trays is plain paper.

Refer to

- "Setting the Paper Sizes of Trays 1 through 4" (P. 47)
- "Changing the Paper Type Settings of Trays 1 through 4" (P. 48)

Note

- The printer performs image quality processing in accordance with the current paper type setting. Configuration of [Image Quality] settings on the control panel also is required when using paper of poor texture, such as some types of thick paper or business card paper. For information about image quality and configuring settings, refer to the 'User Guide'.
- The print paper type also can be changed with the print driver when printing. For the procedure, refer to the 'User Guide'.

Setting the Paper Sizes of Trays 1 through 4

Use the following procedure when configuring custom paper size settings for trays 1 through 4.

Note

- If you changed the paper loaded in a tray from custom size paper to standard size paper, select [Auto] in Step 9, below. Doing so allows the printer to automatically detect the type of the paper loaded in each paper tray.

1. On the control panel, press the <Menu> button to display the menu screen.

Menu
LanguageEmulation

2. Press the <▼> button until [Admin Menu] is displayed.

Menu
Admin Menu

3. Press the <▶> or <OK> button to select. [Network/Port] is displayed.

Admin Menu
Network/Port

4. Press the <▼> button until [Printer Settings] is displayed.

Admin Menu
Printer Settings

5. Press the <▶> or <OK> button to select. [Substitute Tray] is displayed.

Printer Settings
Substitute Tray

6. Press the <▼> button until [Paper Size] is displayed.

Printer Settings
paper size

7. Press the <▶> or <OK> button to select. [Tray 1] is displayed.

Paper Size
Tray 1

8. Press the <▼> button until the desired paper tray is displayed, and then press the <▶> or <OK> button to display its current setting. The current set value is displayed.

Tray 1
•Auto

9. Press the <▼> button until [Custom] is displayed.

Tray 1
Custom

10. Press the <▶> or <OK> button to select. [Portrait (Y) Size] is displayed.

Tray 1 Custom
Portrait (Y) Size

- Press the <▶> or <OK> button to select. The current set value is displayed.

```
Portrait (Y) Size
•140 mm
```

- Use the <▲> and <▼> buttons to enter the Portrait (Y) size and then press the <OK> button to apply it. (Example: 297 mm)

```
Portrait (Y) Size
•297 mm
```

- After setting the Portrait (Y) Size, set the Landscape (X) Size. Press the <◀> or <Return> button to return to [Portrait (Y) Size].

```
Tray 1 Custom
Portrait (Y) Size
```

- Press the <▼> button. [Landscape (X) Size] is displayed.

```
Tray 1 Custom
Landscape (X) Size
```

- Press the <▶> or <OK> button to select. The current set value is displayed.

```
Landscape (X) Size
•182 mm
```

- Use the <▲> and <▼> buttons to enter the Landscape (X) Size and then press the <OK> button to apply it. (Example: 432 mm)

```
Landscape (X) Size
•432 mm
```

- To configure settings for other trays, press the <◀> button or <Return> button until the screen in step 8 is displayed. Then repeat the steps that follow. To exit the setting operation, press the <Menu> button to return to the [Ready to print] screen.

Changing the Paper Type Settings of Trays 1 through 4

If the paper type setting does not match the actual type of the paper, toner may not fuse properly to the paper, resulting in poor print quality.

Use the procedure below to change the paper type settings of trays 1 through 4.

Important

- If a paper type setting results in toner not fusing properly on the paper and poor print quality, try changing to a different paper type setting and printing again. If the paper type setting is for plain paper, for example, try changing it to bond paper or recycled paper.

Note

- Refer to "Standard Paper and Tested Paper" (P. 42) for information about paper and control panel settings.

- On the control panel, press the <Menu> button to display the menu screen.

```
Menu
LanguageEmulation
```

- Press the <▼> button until [Admin Menu] is displayed.

```
Menu
Admin Menu
```

- Press the <▶> or <OK> button to select. [Network/Port] is displayed.

```
Admin Menu
Network/Port
```

- Press the <▼> button until [Printer Settings] is displayed.

```
Admin Menu
Printer Settings
```

- Press the <▶> or <OK> button to select. [Substitute Tray] is displayed.

```
Printer Settings
Substitute Tray
```

- Press the <▼> button until [Paper Type] is displayed.

```
Printer Settings
paper Type
```


7. Press the <▶> or <OK> button to select.
[Tray 1] is displayed.

Paper Type Tray 1

8. Press the <▼> button until the desired paper tray is displayed, and then press the <▶> button to display its current setting.
The current set value is displayed.

Tray 1 •Plain

9. Press the <▼> button until the desired paper type is displayed.
(Example: Transparency)

Tray 1 Transparency

10. Press the <OK> button to apply the setting.

Tray 1 •Transparency

11. To configure settings for other trays, press the <◀> button or <Return> button until the screen in step 8 is displayed. Then repeat the steps that follow.
To exit the setting operation, press the <Menu> button to return to the [Ready to print] screen.

5 Troubleshooting

If you encounter a problem while using this printer and have trouble solving it, see if any of the symptoms in the following pages match your problem.

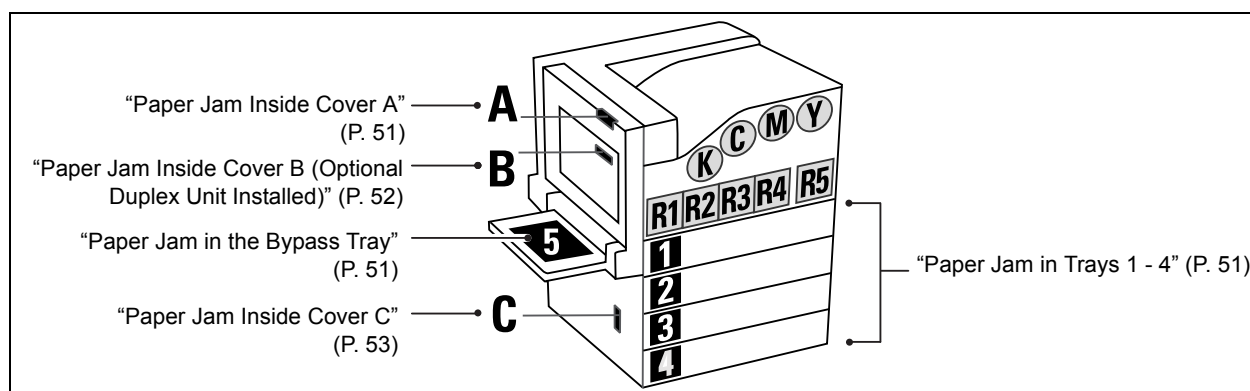
If your problem is described in the following pages, apply the suggested solution provided for the problem.

If your problem is not described, or could not be solved with the suggested solution, contact our Customer Support Center or your dealer.

Clearing Paper Jams

A paper jam will disable the machine and cause an alarm to sound. An <Error> lamp will light on the control panel and an error message will appear on the display. Use the left side of the control panel to check the location of the paper jam described in the message, and remove the jammed paper.

After the paper jam is cleared, printing restarts automatically from the point where printing stopped due to the paper jam.



⚠ CAUTION

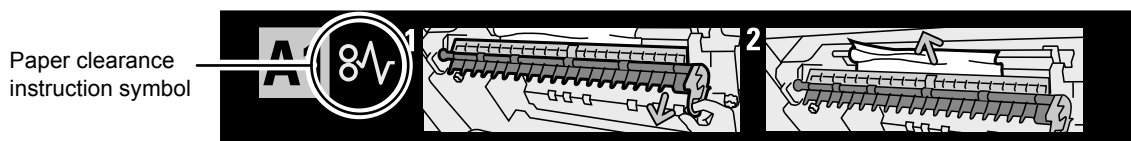
- Do not attempt to remove a paper jammed deeply inside the product, particularly a paper wrapped around a fuser or a heat roller. Otherwise, it may cause injuries or burns. Switch off the product promptly and contact your local Fuji Xerox representative.

Important

- Pulling out a paper tray without confirming the location of the paper jam may tear paper and cause pieces of paper to be left in the machine. This can cause a malfunction. Be sure to confirm the location of the paper jam before attempting to clear it.
- The paper jam indicator remains lit on the control panel if there are pieces of paper remaining inside the printer.
- Make sure that the power is on when clearing a paper jam. Switching the power off erases the print data remaining in the printer and the information stored in the printer's memory.
- Do not touch interior components of the printer. Doing so can cause defective printing.

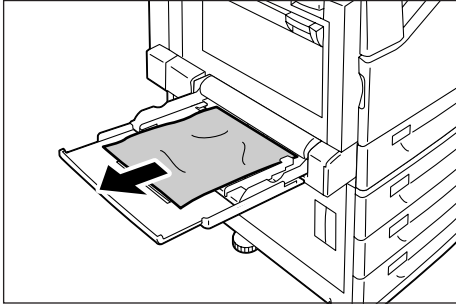
Note

- Labels with the symbol shown below provide jam clearance procedures. Also use the labels as guides when clearing paper jams.



Paper Jam in the Bypass Tray

1. Inspect the area of the paper tray where the paper enters the printer and remove the jammed paper.
If the paper is torn, check to make sure that there are no pieces of paper left inside.



Important

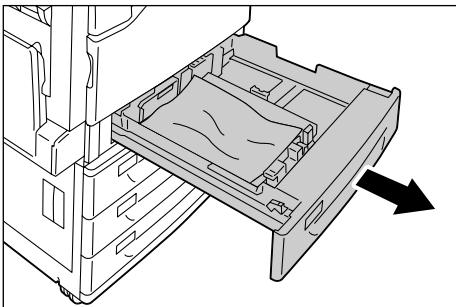
- If there are multiple sheets of paper loaded in the bypass tray, remove all of the paper.

Paper Jam in Trays 1 - 4

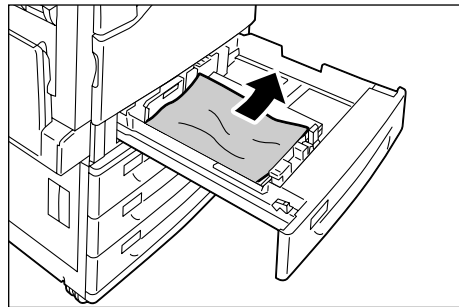
Important

- Pulling out a tray without confirming the location of the paper jam can tear paper and cause pieces of paper to be left in the machine. This can cause a malfunction. Be sure to check the location of the paper jam on the left side of the control panel before clearing the jam.

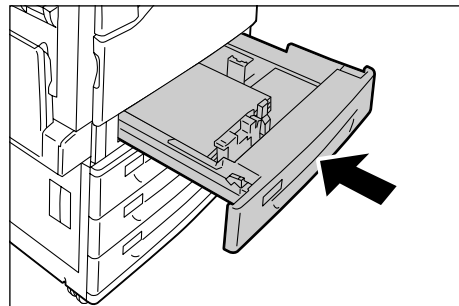
1. Pull out the paper tray indicated on the display as the location of the paper jam.



2. Remove the jammed paper and any paper that is wrinkled.
If the paper is torn, check to make sure that there are no pieces of paper left inside.



3. Gently slide the tray back in as far as it will go.

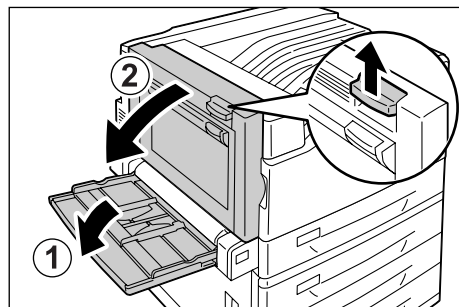


Paper Jam Inside Cover A

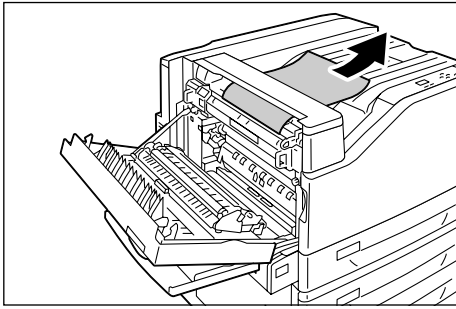
Important

- When removing paper, take care not to touch the transfer belt (the black film belt) inside the cover on the upper left side. Scratches, dirt, or oil from your hands on the belt can reduce print quality.
- There may be some toner on the transfer roller. However, this does not affect image quality.

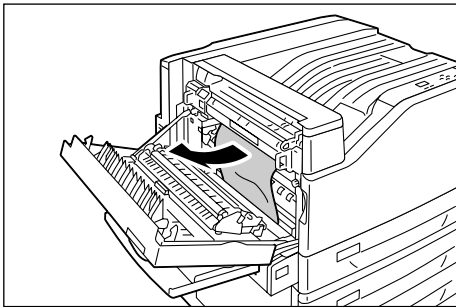
1. Lower the bypass tray. Next, while raising the release lever, gently open cover A.



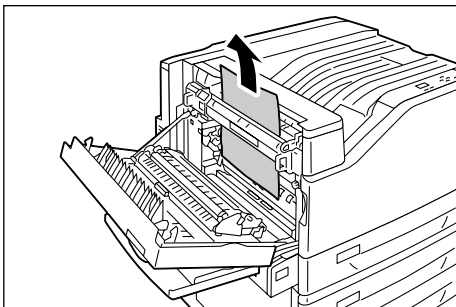
2. If the edge of the jammed paper is coming out in the direction of the center tray, pull the paper straight out in the output direction.



3. Remove the jammed paper inside cover A. If the paper is torn, check to make sure that there are no pieces of paper left inside.



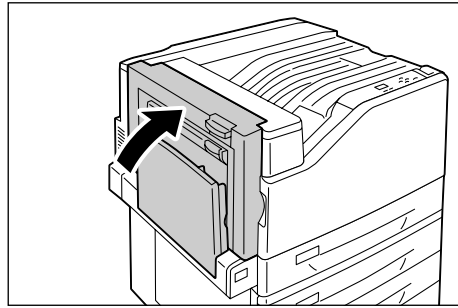
4. If paper is jammed above or below the fuser unit, remove the paper by pulling it straight upwards.



Important

- The fuser unit is hot. Do not touch it. Touching the fuser unit may cause a burn.

5. Press the center of cover A and gently close it. Next raise the bypass tray.

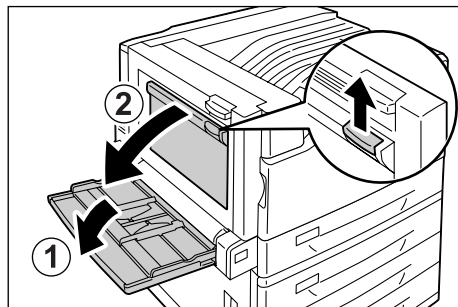


Important

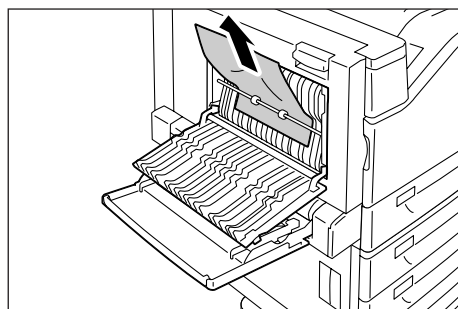
- When closing a cover, be careful not to get your fingers caught between the cover and the printer.

Paper Jam Inside Cover B (Optional Duplex Unit Installed)

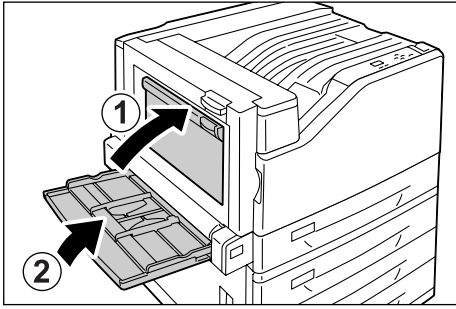
1. Lower the bypass tray and then gently open cover B.



2. Pull the jammed paper straight upwards to remove it. If the paper is torn, check to make sure that there are no pieces of paper left inside.



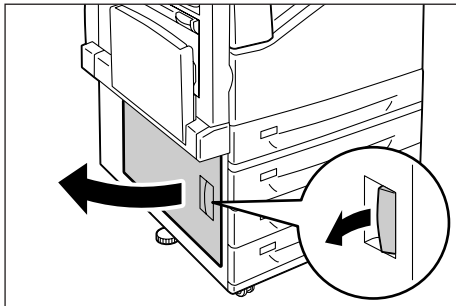
3. Close cover B and then raise the bypass tray.



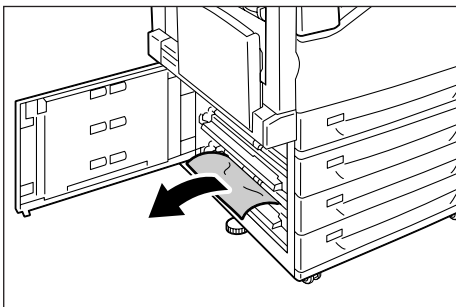
Paper Jam Inside Cover C

In the following example, the printer has a 3 Tray Module (option) installed.

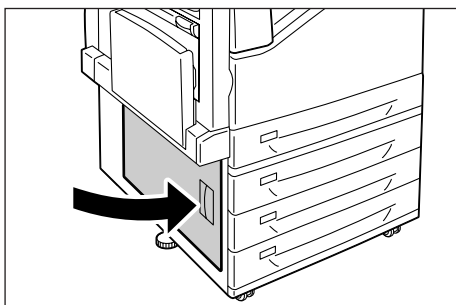
1. While pulling the release lever, gently open cover C.



2. Remove the jammed paper.



3. Gently close cover C.



Hardware Problems

(Power Failure, Abnormal Noise, etc.)


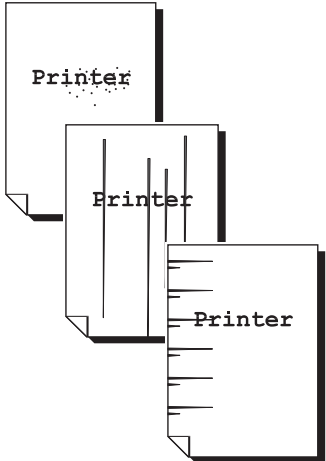

Symptom	Cause/Remedy
The printer is not on.	Is power switched off? Switch the power on by pressing the < > side of the power switch.
	Is the power cord firmly plugged into the power outlet? Switch off the printer, and then disconnect and reconnect the power cord from the power outlet and the printer. Next, switch the printer on.
	Is the printer plugged into a power outlet that supplies the proper voltage? Connect the printer to a power outlet that supplies the proper rated voltage or current. Do not share the power outlet with other devices.
The display is blank.	The printer may be in Energy Saver mode. Press the <Energy Saver> button on the control panel to exit Energy Saver mode. If this does not remedy the problem, check if the power cord is firmly plugged into the power outlet, and reboot the printer. If the problem still persists, there may be a problem with the printer. Contact our Customer Support Center or your dealer.
The printer makes odd noise.	Is the printer installed on a level surface? Install the printer on a level and sturdy surface.
	Are the paper trays pushed in completely? Push the trays firmly into the printer.
	Is there a foreign object inside the printer? Switch the power off and remove the object. If the object cannot be removed without dismantling the printer, contact our Customer Support Center or your dealer.
Condensation has formed in the printer.	On the control panel, set the Sleep mode trigger time to more than one hour, and let the printer stand with its power on. After about an hour, the heat inside the printer causes the condensation to evaporate. Refer to • Sleep Mode Timer: 'User Guide'
The printer does not switch to Sleep mode.	Is the Sleep mode disabled on the control panel? Use the control panel to enable Sleep mode.

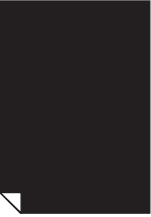
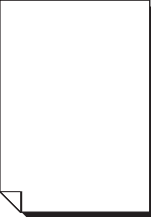
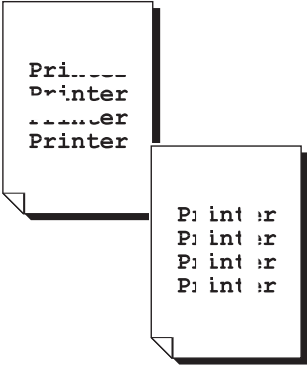
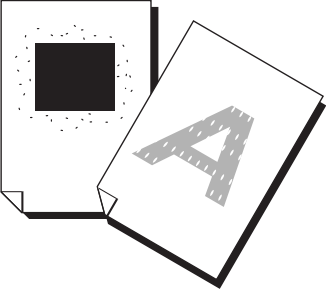
Printing Problems


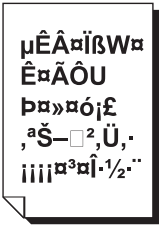

Symptom	Cause/Remedy
The <Error> lamp is blinking.	An error occurred that cannot be resolved by the user. Make a note of the error message or error code displayed on the control panel, switch the power off, unplug the power cord from the power outlet, and contact our Customer Support Center or your dealer.
The <Error> lamp is lit.	Is an error message displayed on the control panel? Follow the instructions in the message and clear the error.
A print instruction was issued, but the <Ready> lamp does not light or blink.	Is the interface cable firmly plugged in? Switch the power off, and check if the interface cable is firmly plugged in.
	Is the printer in the offline or menu state? If the printer is offline, press the <Online> button to put it online. If the menu screen is displayed, press the <Menu> button to exit the menu screen.
	Are protocols set correctly? Confirm that the port being used is enabled. Also, use CentreWare Internet Services to confirm that the protocol settings are configured correctly. Refer to • Online help for CentreWare Internet Services
	Is the operating environment of your computer configured correctly? Check the operating environment of your computer including the print driver.
The <Ready> lamp is lit or blinking, but the printer does not print.	There is data remaining in the print buffer. Cancel or force-eject the job. After pressing the <Online> button to take the printer offline, press the <Delete Job> button to cancel the print job or the <OK> button to force-eject the job. After cancellation or force-ejection is complete, press the <Online> button again to put the printer online. Note • When using the parallel/USB port, pressing the <Online> button can cause reception of job data to stop part way through. When this happens, pressing the <OK> button causes the remaining print data to be recognized as a new job. This job is printed separately after you put the printer back online. As a result, the printout may not be normal.
The printer does not print.	If your computer is connected to the printer via a parallel cable, does your computer support bi-directional communication? The printer's bi-directional communication is enabled by default. If bi-directional communication is not supported by your computer, the printer will not print your job. If this is the case, disable the bi-directional communication on the control panel and try printing again.
	If the printer is connected to a network, is the IP address of the printer set correctly? Or, is the data-reception control setting set correctly? Check the above settings and re-configure them if necessary. Refer to • "Setting an IP Address (IPv4)" (P. 23)
	The size of the print data of a single print job may exceed the buffer capacity. This may occur when memory spooling is selected for the buffer setting. If a single print file exceeds the memory capacity, divide the print file into jobs that are smaller than the memory capacity. If there are multiple data files to print, decrease the number of files to be printed at one time.

Symptom	Cause/Remedy
Printing is slow.	<p>The buffer capacity may be too low. If you are printing a high-resolution document, use [Allocate Memory] on the control panel to reduce the memory capacity of unused items, which increases the capacity of the print page buffer.</p> <p>Increasing the buffer capacity can speed up printing. Adjust buffer capacity in accordance with the size of the print data.</p> <p>Also, it is recommended to disable ports that are not being used and allocate memory for other purposes.</p> <p>Refer to</p> <ul style="list-style-type: none"> • For information about how to configure this setting, refer to 'User Guide'.
	<p>Is [High Quality] selected for the [Image Quality] setting on the [Image Options] tab of your print driver? Changing the [Image Quality] setting to [Standard] may improve print speed.</p> <p>Refer to</p> <ul style="list-style-type: none"> • Online help for the print driver.
	<p>Printing may be slow depending on the printing method for TrueType® fonts. Change the printing method under [Specify Font] on the [Advanced Settings] tab of your print driver.</p> <p>Refer to</p> <ul style="list-style-type: none"> • Online help for the print driver.
[Printing...] is displayed even though there is no print job when the parallel/USB interface is being used.	<p>Did you turn on your computer after switching on the printer? Press the <Delete Job> button to cancel printing.</p> <p>Note</p> <ul style="list-style-type: none"> • Check to make sure that your computer is turned on before switching on the printer.
Image loss occurs in the upper portion of the page. Printing does not start from the desired position on the page.	<p>Are the paper guides adjusted properly? Adjust the paper guides properly.</p> <p>Refer to</p> <ul style="list-style-type: none"> • "Loading Paper" (P. 44)
	<p>Check whether the margins are set correctly on your print driver.</p> <p>Refer to</p> <ul style="list-style-type: none"> • Online help for the print driver.

Print and Image Quality Problems

Symptom	Cause/Remedy
<p>Output is too light. (Faded or unclear)</p> 	The paper is damp. Load fresh paper.
	The paper is not appropriate for the printer. Load appropriate media.
	<p>Refer to</p> <ul style="list-style-type: none"> • “Supported Paper” (P. 40)
	A drum cartridge or the fuser unit is damaged or has deteriorated. Depending on its condition, the drum cartridge or fuser unit may need replacement. Contact our Customer Support Center or your dealer.
	<p>Is the toner save feature enabled? On the [Advanced Settings] tab on your print driver, clear the [Draft Mode] check box.</p> <p>Refer to</p> <ul style="list-style-type: none"> • Online help for the print driver.
	<p>On the [Image Options] tab of your print driver, change the print density settings under [Image Settings] or [Color Balance] and then try printing again.</p> <p>Refer to</p> <ul style="list-style-type: none"> • Online help for the print driver.
<p>Color spots or color lines appear on output. Equally spaced smears appear on output.</p> 	The paper path may not be clean. Print a couple of sheets or so to remove dirt from the paper path.
	The printer's interior may not be clean. Clean the interior of the printer.
	A drum cartridge or the fuser unit is damaged or has deteriorated. Depending on its condition, the drum cartridge or fuser unit may need replacement. Contact our Customer Support Center or your dealer.
<p>Printing can be rubbed off with a finger. Toner is not fused to the paper. Output is smudged with toner.</p> 	The paper type of the selected paper tray is not appropriate. Change the [Paper Type] setting and try printing again. For example, if [Paper Type] is set to [Plain], try changing it to [Bond] or [Recycled]. If it is set to [Heavyweight], try changing it to [ExtraHeavyweight].
	The paper is damp. Load fresh paper.
	The paper is not appropriate for the printer. Load appropriate media.
	<p>Refer to</p> <ul style="list-style-type: none"> • “Supported Paper” (P. 40)
	The fuser unit is damaged or has deteriorated. Depending on its condition, the fuser unit may need replacement. Contact our Customer Support Center or your dealer.

Symptom	Cause/Remedy
<p>The whole page is printed black.</p> 	<p>A drum cartridge is damaged or has deteriorated. Depending on its condition, the drum cartridge may need replacement. Contact our Customer Support Center or your dealer.</p> <p>There may be something wrong with the high-voltage power supply. Contact our Customer Support Center or your dealer.</p>
<p>Output is blank.</p> 	<p>Multiple sheets were fed at once. Fan the paper and reload it in the tray.</p> <p>A drum cartridge is damaged or has deteriorated. Depending on its condition, the drum cartridge may need replacement. Contact our Customer Support Center or your dealer.</p> <p>There may be something wrong with the high-voltage power supply. Contact our Customer Support Center or your dealer.</p>
<p>Output is partially blanked-out. Vertical white streaks appear on output.</p> 	<p>The paper is not appropriate for the printer. Load appropriate media.</p> <p>Refer to</p> <ul style="list-style-type: none"> • “Supported Paper” (P. 40) <p>The paper is damp. Load fresh paper.</p> <p>A drum cartridge is not installed correctly. Correctly install the drum cartridge.</p> <p>The printer's interior may not be clean. Clean the interior of the printer.</p> <p>Condensation may have formed in the printer. On the control panel, set the Sleep mode trigger time to more than one hour, and let the printer stand with its power on. After about an hour, the heat inside the printer causes the condensation to evaporate.</p> <p>Refer to</p> <ul style="list-style-type: none"> • Sleep Mode Timer: ‘User Guide’ <p>A drum cartridge or the fuser unit is damaged or has deteriorated. Depending on its condition, the drum cartridge or fuser unit may need replacement. Contact our Customer Support Center or your dealer.</p>
<p>White patches appear on output. Toner is scattered around images. Images are bluish.</p> 	<p>The image transfer voltage (the [Voltage Offset] setting on the control panel) may not be set properly. Adjust the transfer voltage on the control panel.</p> <p>Refer to</p> <ul style="list-style-type: none"> • Voltage Offset: ‘User Guide’ <p>The paper type of the selected paper tray is not appropriate. Change the [Paper Type] setting and try printing again. For example, if [Paper Type] is set to [Plain], try changing it to [Bond] or [Recycled]. If it is set to [Heavyweight], try changing it to [ExtraHeavyweight].</p>

Symptom	Cause/Remedy
<p>Text is smeared.</p> 	<p>The paper is not appropriate for the printer. Load appropriate media.</p> <p>Refer to</p> <ul style="list-style-type: none"> • “Supported Paper” (P. 40) <p>The paper is damp. Load fresh paper.</p> <p>Condensation may have formed in the printer. On the control panel, set the Sleep mode trigger time to more than one hour, and let the printer stand with its power on. After about an hour, the heat inside the printer causes the condensation to evaporate.</p> <p>Refer to</p> <ul style="list-style-type: none"> • Sleep Mode Timer: ‘User Guide’
<p>Text is garbled. Printed output is not the same as the original data displayed on the computer screen.</p> 	<p>The data was printed using a font that does not come standard with the printer. Check the font used by the application. If using the PostScript, download fonts as necessary.</p> <p>Is the printer set to substitute TrueType fonts with the built-in fonts? Change the printing method of TrueType fonts under [Specify Font] on the [Advanced Settings] tab of your print driver.</p> <p>Refer to</p> <ul style="list-style-type: none"> • Online help for the print driver.
<p>Images are skewed.</p> 	<p>The paper guides are not adjusted properly. Adjust the paper guides properly.</p> <p>Refer to</p> <ul style="list-style-type: none"> • “Loading Paper” (P. 44)
<p>Color documents are printed in monochrome.</p>	<p>Is [Black & White] selected for [Output Color] on the [Paper/Output] tab of the print driver? Change the [Output Color] setting to [Color].</p> <p>Refer to</p> <ul style="list-style-type: none"> • Online help for the print driver.
<p>Print density or color reproduction has deteriorated.</p>	<p>Print the Calibration Chart from the printer, compare it with the Color Sample that came with the printer, and perform color calibration as necessary.</p> <p>Refer to</p> <ul style="list-style-type: none"> • Color calibration: ‘User Guide’

Symptom	Cause/Remedy
Print quality on transparencies or envelopes is poor.	Unsupported transparencies or envelopes are loaded in the printer. Load appropriate media. Refer to <ul style="list-style-type: none"> • “Supported Paper” (P. 40)
	Check if the paper type setting on the print driver or control panel is set correctly. Refer to <ul style="list-style-type: none"> • Online help for the print driver.
	The toner save feature is enabled or the resolution is set low on your print driver. Change these settings on the [Advanced Settings] tab on your print driver. Refer to <ul style="list-style-type: none"> • Online help for the print driver.

Paper Feed Problems

Symptom	Cause/Remedy
<p>Paper does not feed properly. Paper jams occur. Multiple sheets feed at once. Paper feeds skewed. Output is wrinkled.</p>	<p>Is the paper loaded correctly? Reload the paper correctly. Before loading labels, transparencies, or envelopes, fan them to make sure that they are separated.</p>
	<p>Is the paper damp? Load fresh paper.</p>
	<p>Is the paper appropriate for the printer? Load appropriate paper. Paper may still wrinkle depending on its type or condition.</p> <p>Refer to</p> <ul style="list-style-type: none"> • “Supported Paper” (P. 40)
	<p>Are the paper trays pushed in completely? Push the trays firmly into the printer.</p>
	<p>Is the printer installed on a level surface? Install the printer on a level and sturdy surface.</p>
	<p>Are the paper guides adjusted properly? Adjust the paper guides properly.</p> <p>Refer to</p> <ul style="list-style-type: none"> • “Loading Paper” (P. 44)
	<p>Was paper added on top of paper in a paper tray? Adding paper to a paper tray that still contains paper can cause these types of problems. Fan the paper loaded in the tray and reload it into the tray. Add paper to the tray only when the tray is out of paper.</p>
<p>The printer does not correctly select a paper tray from the trays 1 to 4.</p>	<p>Are the paper guides adjusted properly? If the paper guides are not positioned correctly, the printer may not correctly detect the size of the paper loaded. Adjust the paper guides properly.</p>
	<p>Check whether the paper size and paper type settings on the print driver and control panel are configured correctly.</p> <p>Refer to</p> <ul style="list-style-type: none"> • Online help for the print driver.
<p>The printer does not feed paper from the bypass tray.</p>	<p>Is [Auto Paper Select] selected for the [Paper Tray] setting on the [Paper/Output] tab of the print driver? The bypass tray cannot be auto-selected by the printer.</p> <p>Refer to</p> <ul style="list-style-type: none"> • Online help for the print driver.

Error Messages and Error Codes

Error Messages (in Alphabetical Order)

The following table lists the error messages that appear on the control panel.

Note

- If the message text cannot fit on a single screen, use the <▼> and <▲> buttons to change screens.

Message	Symptom/Cause/Remedy
Add paper to Bypass <size and orientation> <type>	The bypass tray is out of paper. Load paper of the size, orientation, and type indicated by the message, into the bypass tray. Refer to • “Loading Paper in the Bypass Tray” (P. 44)
Add paper to Tray N <size and orientation> <type> (N: Whichever from 1 to 4)	Paper tray N is out of paper. Load paper of the size, orientation, and type indicated by the message, into paper tray N. Refer to • “Loading paper into Trays 1 through 4” (P. 46)
Automatically select available paper type Press OK to print Or, use Delete Job	The type of paper specified in the print driver is not loaded in the paper tray. Press the <OK> button on the control panel to print on a different type of paper, or press the <Delete Job> button to cancel printing.
Can print in Black ❗ Replace Toner: X Or, use Delete Job (X: C, M, or Y)	Only monochrome printing can be performed. To perform color printing, replace the displayed X toner cartridge with a new one. Note • Pressing the <Information> button will display detailed information on the control panel.
Check or adjust Tray N Paper Guides (N: Whichever from 1 to 4)	Paper tray N is pulled out. After confirming that paper is loaded, push tray N into the printer.
❗ Check Bypass <size and orientation> <type> • The paper size or orientation loaded is different from the selected size. Reload paper. • Paper type loaded is different from the selected type. Reload paper.	The correct type of paper is not loaded in the bypass tray. Load paper of the size, orientation, and type indicated by the message, into the bypass tray. Note • Pressing the <Information> button will display detailed information on the control panel. Refer to • “Loading Paper in the Bypass Tray” (P. 44)
❗ Check Bypass <size and orientation> <type> • Return to the previous screen, check if Tray 5 (Bypass) has been loaded with the indicated size. Then press OK.	The correct type of paper is not loaded in the bypass tray. Load the type of paper indicated by the message into the bypass tray and then press the <OK> button. Note • Pressing the <Information> button will display detailed information on the control panel.

Message	Symptom/Cause/Remedy
<p>i Check Tray N <size and orientation> <type> (N: Whichever from 1 to 4)</p>	<p>The correct type of paper is not loaded in the paper tray N. Load paper of the size, orientation, and type indicated by the message, into paper tray N.</p> <p>Note</p> <ul style="list-style-type: none"> Pressing the <Information> button will display detailed information on the control panel. <p>Refer to</p> <ul style="list-style-type: none"> “Loading paper into Trays 1 through 4” (P. 46)
<p>Close Cover X (X: A, B or C)</p>	<p>Cover X is open. Securely close the displayed cover.</p>
<p>Close Front Cover</p>	<p>The front cover is open. Close the front cover.</p>
<p>Completed with error ***_***</p>	<p>Printing could not be performed correctly because an error occurred. Check the displayed error code (***_***) and correct the problem.</p> <p>Refer to</p> <ul style="list-style-type: none"> “Error Codes” (P. 67)
<p>Insert Drum Cartridge X (X: Whichever from R1 to R4)</p>	<p>Drum cartridge X is not installed. Install the indicated drum cartridge.</p> <p>Refer to</p> <ul style="list-style-type: none"> “Replacing Drum Cartridges” (P. 73) “Types of Consumables” (P. 69)
<p>i Insert Toner Cartridge: X (X: K, C, M, or Y)</p>	<p>The X toner cartridge is not installed. Install the indicated toner cartridge.</p> <p>Note</p> <ul style="list-style-type: none"> Pressing the <Information> button will display detailed information on the control panel. <p>Refer to</p> <ul style="list-style-type: none"> “Replacing Toner Cartridges” (P. 71)
<p>Insert Waste Toner Container R5</p>	<p>The waste toner bottle is not installed correctly. Install a waste toner bottle that is appropriate for the printer.</p> <p>Refer to</p> <ul style="list-style-type: none"> “Replacing the Waste Toner Bottle” (P. 75) “Types of Consumables” (P. 69)
<p>Load Tray N <size and orientation> <type> (N: Whichever from 1 to 4)</p>	<p>The tray that contains the paper specified for printing (either the size or type) is out of paper. Load paper into the applicable tray. This message also appears when none of the printer's trays are loaded with the paper specified for printing (either the size or type). In this case, change the size, orientation, or type of one of the printer's trays so it matches the settings shown on the display.</p> <p>Refer to</p> <ul style="list-style-type: none"> “Loading paper into Trays 1 through 4” (P. 46)
<p>Open Front Cover. Swing Handle to the RIGHT to lock. Close the cover.</p>	<p>The lever inside the front cover that locks the drum cartridge cover is not in the correct position. Reposition the lever to the right and close the cover.</p>

Message	Symptom/Cause/Remedy
Paper Jam Open Cover A, pull Lever A1 and pull paper up	A paper jam occurred in the printer. Open cover A and pull lever A1. After confirming the location of the paper jam, remove the jammed paper. Refer to <ul style="list-style-type: none"> • “Clearing Paper Jams” (P. 50)
Paper Jam Open Cover X and remove paper (X: A, B or C)	A paper jam occurred in the printer. Open the indicated cover. After confirming the location of the paper jam, remove the jammed paper. Refer to <ul style="list-style-type: none"> • “Clearing Paper Jams” (P. 50)
Paper Jam Pull out Tray N and remove paper. Check or adjust Paper Guides. (N: Whichever from 1 to 4)	A paper jam occurred in the printer. Pull out tray N and remove the jammed paper. Next, check that the tray's paper guides are positioned correctly.
Paper Jam Remove paper in Tray 5 (Bypass) and reload	A paper jam occurred in the bypass area. Removed the jammed paper from the bypass tray. Next, load the paper into the bypass tray again. Refer to <ul style="list-style-type: none"> • “Clearing Paper Jams” (P. 50)
Ready to print ***_***	There may be something wrong with the printer. Switch the power off, wait for the display to go out, and switch the power back on again. If the same error code reappears, check the error code (***_***) on the display and take appropriate action. Refer to <ul style="list-style-type: none"> • “Error Codes” (P. 67)
Ready to print i Duplicate IPvx (vx: v4 or v6)	There are duplicate IP addresses. Change the IP address. Note <ul style="list-style-type: none"> • Pressing the <Information> button will display detailed information on the control panel. Refer to <ul style="list-style-type: none"> • “Setting an IP Address (IPv4)” (P. 23)
Ready to print i Duplicate SMB Host	That SMB host name already exists. Change the host name. Note <ul style="list-style-type: none"> • Pressing the <Information> button will display detailed information on the control panel. Refer to <ul style="list-style-type: none"> • CentreWare Internet Services online help
Ready to print i DNS Update failed	An IP address could not be obtained from the DNS. Set the IP address manually. Note <ul style="list-style-type: none"> • Pressing the <Information> button will display detailed information on the control panel. Refer to <ul style="list-style-type: none"> • CentreWare Internet Services online help

Message	Symptom/Cause/Remedy
Ready to print i Order Drum: X (X: Whichever from R1 to R4)	Drum cartridge X needs to be replaced soon. Have a new replacement for the displayed drum cartridge ready. There is enough left to print approximately 1500* ¹ pages.
Ready to print i Order Toner: X (X: K, C, M, or Y)	The X toner cartridge needs to be replaced soon. Have new replacement for the displayed toner cartridge ready. The number of remaining printable pages is 2400 to 3000* ¹ for a toner cartridge. Note • Pressing the <Information> button will display detailed information on the control panel.
Ready to print i Replace ***_*** • Consumables need to be replaced soon. See User Guide for details.	A regular replacement part needs to be replaced soon. Check ***_*** below. 94-417: Maintenance kit (480K) 94-419: Maintenance kit (200K) Note • Pressing the <Information> button will display detailed information on the control panel.
Ready to print i Replace ***_*** • Parts need to be replaced soon. See User Guide for details.	A regular replacement part has reached the end of its replacement life. Make a note of the "***_***" number and contact our Customer Support Center or your dealer. 94-420: Maintenance kit (480K) 94-422: Maintenance kit (200K) Note • Pressing the <Information> button will display detailed information on the control panel.
Ready to print i Replace Container R5	The waste toner bottle needs to be replaced soon. Have a new waste toner bottle ready. There is enough capacity to print approximately 1500* ¹ pages. Note • Pressing the <Information> button will display detailed information on the control panel.
Ready to print i Replace Drum X (X: Whichever from R1 to R4) • Replace Drum Cartridge X.	Drum cartridge X has reached the end of its service life. Replace the drum cartridge indicated by the message with a new one. This message appears when [Continue Print] is specified on the control panel for [System Settings] > [Drum Life End]. Note • Pressing the <Information> button will display detailed information on the control panel.
Ready to print i Replace Drum X (X: Whichever from R1 to R4) • Drum Cartridge X needs to be replaced soon. Order a new cartridge.	The displayed drum cartridge needs to be replaced soon. Have a new drum cartridge ready. There is enough left to print approximately 800* ¹ pages. Note • Pressing the <Information> button will display detailed information on the control panel.
Ready to print i Replace Fuser R8 • Fuser Cartridge R8 needs to be replaced soon. Order a new Fuser Cartridge.	The Fuser Kit needs to be replaced soon. Note • Pressing the <Information> button will display detailed information on the control panel.

Message	Symptom/Cause/Remedy
Ready to print ! Replace Fuser R8 • Replace Fuser Cartridge R8.	The Fuser Kit has reached the end of its replacement life. Contact our Customer Support Center or your dealer. Note • Pressing the <Information> button will display detailed information on the control panel.
Ready to print ! Replace Toner:X (X: K, C, M, or Y)	The toner in the X toner cartridge is very low. There is enough toner to print approximately 40 ^{*1} pages. Have a new cartridge ready for the displayed X cartridge. Note • Pressing the <Information> button will display detailed information on the control panel.
Replace Drum Cartridge X (X: Whichever from R1 to R4)	Drum cartridge X has reached the end of its service life. Or, there is something wrong with drum cartridge X. Replace the drum cartridge indicated by the message with a new one.
! Replace Toner Cartridge: X (X: K, C, M, or Y)	The toner cartridge is out of toner or there is something wrong with the toner cartridge. Replace the toner cartridge indicated by the message with a new one. Note • Pressing the <Information> button will display detailed information on the control panel. Refer to • “Replacing Toner Cartridges” (P. 71)
Replace Waste Toner Container R5	The waste toner bottle is full. Replace the waste toner bottle with a new one. Refer to • “Replacing the Waste Toner Bottle” (P. 75) • “Types of Consumables” (P. 69)
Switch power OFF and ON ***.***	There may be something wrong with the printer. Switch the power off, wait for the display to go out, and switch the power back on again. If the same error code reappears, make a note of the error code (***-***), and contact our Customer Support Center or your dealer. Refer to • “Error Codes” (P. 67)
! Wrong Drum Cartridge X (X: Whichever from R1 to R4)	A drum cartridge is not appropriate for the printer. Install a drum cartridge appropriate for the printer. Note • Pressing the <Information> button will display detailed information on the control panel. Refer to • “Types of Consumables” (P. 69)
! Wrong Toner Cartridge: X (X: K, C, M, or Y.)	The toner cartridge is not appropriate for the printer. Use an appropriate toner cartridge and install it correctly in the printer. Note • Pressing the <Information> button will display detailed information on the control panel. Refer to • “Types of Consumables” (P. 69)

*1: The number of pages that can be printed is greatly affected by printing conditions and document content. For details, refer to “Life of Consumables and Regular Replacement Parts” (P. 82).

Error Codes

Error codes are six-digit numbers that appear on the control panel when errors occur. Such errors include abnormal print jobs and printer malfunctions.

Error codes provide important information that identifies the causes of errors. Please have the applicable error codes on hand when calling our Customer Support Center or your dealer.

The following table lists the error codes that can be resolved by users. When an error code is displayed, see if it is listed in the following table.

The following error codes are listed in ascending order.

Note

- XPS stands for XML Paper Specification.
- See the 'User Guide' for error codes that are not listed here.

Error Code	Cause/Remedy
016-400	The 802.1x user name and password are wrong. Check the user name and password and enter them correctly. If this does not solve the problem, check for problems with your network environment.
016-401	802.1x authentication protocol cannot be processed. Reconfigure the printer's authentication protocol so it matches that of the authentication protocol of the authentication server.
016-402	The authentication connection timed out. Check the switch setting of the authentication device connecting the printer and physical network, and/or the network connection.
016-403	The root certificate does not match. Check the authentication server and store the root certificate of the authentication server's certificate on the printer. If you are unable to obtain the root certificate of the server certificate, Set [Verify SvrCert] under [IEEE 802.1x] to [Disabled].
016-404	An internal error occurred. Re-try the same operation. If this does not correct the situation, it could indicate a mechanical problem. Contact our Customer Support Center or your dealer.
018-400	The printer's IPsec setting is incorrect. When the authentication method is set to [Preshared Key], change the password. If it is set to [Digital Signature], change the IPsec certificate.
027-400	Communication with the printer failed. If another message is displayed, check its contents. If a panel operation is in progress, exit it. If remote access is in progress, wait until the access is complete. If this does not resolve the problem, switch the power off and then back on again. If this does not resolve the problem, contact our Customer Support Center or your dealer.
027-442	IPv6 IP addresses are duplicated. Change the printer's IPv6 "Auto Stateless Address 1" or the network device IPv6 address to eliminate the IP address duplication.
027-443	IPv6 IP addresses are duplicated. Change the printer's IPv6 "Auto Stateless Address 2" or the network device IPv6 address to eliminate the IP address duplication.
027-444	IPv6 IP addresses are duplicated. Change the printer's IPv6 "Auto Stateless Address 3" or the network device IPv6 address to eliminate the IP address duplication.
027-445	A manually set IPv6 IP address is wrong. Re-configure the IPv6 address correctly.
027-447	IPv6 addresses are duplicated. Change the printer's IPv6 Link Local Address or the network device IPv6 address to eliminate the IP address duplication.

Error Code	Cause/Remedy
042-337	<p>The vents on the right side of the printer may become clogged. After removing the blockage from the right side, wait a few minutes and turn the printer back on. If the same error code is displayed again, contact our Customer Support Center or your dealer.</p>
077-215	<p>A communication error occurred between the printer and optional Single Tray Module and 3 Tray Module (paper trays 2 to 4). Switch off printer power and check to make sure the tray module connector cable is connected correctly to the printer's connector. Then if the problem is not resolved when printer power is switched back on, contact our Customer Support Center or your dealer. Note that paper tray 1 can be used at this time.</p>

6 Replacing Consumables

Types of Consumables

This printer uses the consumables listed below. To order them, contact the dealer where you purchased the printer.

Important

- This printer is designed to provide the most stable performance and print quality when used with genuine consumables. If you use consumables with specifications different from those of the genuine consumables, printer performance may not be at its optimum. If the printer breaks due to the use of non-genuine consumables, you may incur the repair charges. Should the printer experience trouble while using genuine consumables, you will be able to receive full support. Use of genuine consumables is recommended in order to ensure peak performance of your printer.
- The page yield of each consumable varies depending on print requests, documents printed, and how often the power is switched on/off. For more information, refer to "Life of Consumables and Regular Replacement Parts" (P. 82).

Product Name	Product Code	Page Yield (Reference Value)
Toner Cartridge (Black)	CT201160	Approx. 15,000 pages
Toner Cartridge (Cyan)	CT201161	Approx. 12,000 pages
Toner Cartridge (Magenta)	CT201162	Approx. 12,000 pages
Toner Cartridge (Yellow)	CT201163	Approx. 12,000 pages
Toner Cartridge (Black) (for China only)	CT201164	Approx. 15,000 pages
Toner Cartridge (Cyan) (for China only)	CT201165	Approx. 12,000 pages
Toner Cartridge (Magenta) (for China only)	CT201166	Approx. 12,000 pages
Toner Cartridge (Yellow) (for China only)	CT201167	Approx. 12,000 pages
Drum Cartridge	CT350654	Approx. 40,000 pages
Waste Toner Bottle	CWAA0742	Approx. 25,000 pages
Fuser Kit (220V)	EL300708	Approx. 100,000 pages
Fuser Kit (110V)	EL300709	Approx. 100,000 pages

Note

- The number of pages that can be printed with the toner cartridges that come with the printer when you purchased it are approximately 7,500 for Toner Cartridge (Black), and approximately 6,000 for Toner Cartridge (Cyan, Magenta, Yellow).
- The Fuser Kit includes the fuser unit and the transfer belt cleaner.

⚠ WARNING

- Use a broom or a wet cloth to wipe off spilled toner. Never use a vacuum cleaner for the spills. It may catch fire by electric sparks inside the vacuum cleaner and cause explosion. If you spill a large volume of toner, contact your local Fuji Xerox representative.
 - Never throw a toner cartridge into an open flame. Remaining toner in the cartridge may catch fire and cause burn injuries or explosion.
If you have a used toner cartridge no longer needed, contact your local Fuji Xerox representative for its disposal.
-

⚠ CAUTION

- Never heat the drum cartridges or scratch their surfaces. It may cause health hazard.
 - Keep the drum cartridges and toner cartridges out of the reach of children. If a child accidentally swallows toner, spit it out, rinse mouth with water, drink water and consult a physician immediately.
 - When replacing the drum cartridges and toner cartridges, be careful not to spill the toner. In case of any toner spills, avoid contact with clothes, skin, eyes, and mouth, also avoid inhaling it.
 - If toner spills onto your skin or clothing, wash it off with soap and water.
If you get toner particles in your eyes, wash it out with plenty of water for at least 15 minutes until irritation is gone. Consult a physician if necessary.
If you inhale toner particles, move to a fresh air location and rinse your mouth with water.
If you swallow toner, spit it out, rinse your mouth with water, drink plenty of water and consult a physician immediately.
-

Handling Consumables

- Do not store consumables upright.
- Do not unpack consumables/maintenance parts until they are ready to be used. Avoid storing consumables/maintenance parts in the following locations:
 - in high temperature and humidity
 - near heat sources
 - in direct sun light
 - in dusty places
- When using consumables, make sure to follow the precautions stated on their packaging.
- We recommend you keep backup supplies of consumables.

Recycling Used Consumables

Proper disposal is required for drum cartridges and toner cartridges no longer needed. Do not open drum cartridges, toner cartridges and waste toner bottle. Return them to your local Fuji Xerox representative.

Replacing Toner Cartridges

The printer has toner cartridges for four colors: cyan (C), magenta (M), yellow (Y), and black (K). The following messages appear on the printer's control panel when a toner cartridge is near or reaches the end of its life.

Message	Action
Ready to print ! Order Toner: X* ¹	The displayed toner cartridge does not need to be replaced right away, but have a new cartridge ready. The number of remaining printable pages is approximately 2400 to 3000* ² for a toner cartridge.
Ready to print ! Replace Toner: X* ¹	The displayed toner cartridge needs to be replaced soon. The toner cartridge will be able to print approximately 40* ² more pages.
! Replace Toner Cartridge: K	The printer will stop and become unable to print. Check the location of the applicable toner cartridge on the left side of the control panel. Replace the black toner cartridge using the procedure under "Replacement Procedure" (P. 72).
Can print in Black ! Replace Toner: X Or, use Delete Job (X: C, M, or Y)	Monochrome printing can be executed while monochrome is selected for the color mode, but color printing is not supported. Check the location of the applicable cartridge on the left side of the control panel. Replace the toner cartridge for the color indicated in the message using the procedure under "Replacement Procedure" (P. 72).

*¹: The actual display shows C, M, Y, or K in place of X. The meaning of each letter is as follows: C: Cyan, M: Magenta, Y: Yellow, K: Black.

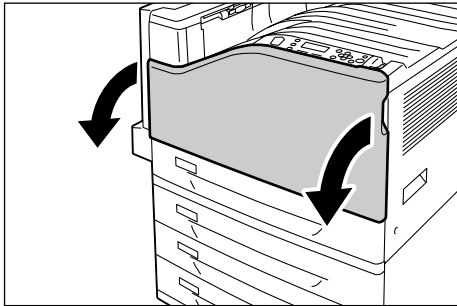
*²: The page yield of each consumable varies depending on print requests, documents printed, and how often the power is switched on/off. For more information, refer to "Life of Consumables and Regular Replacement Parts" (P. 82).

Important

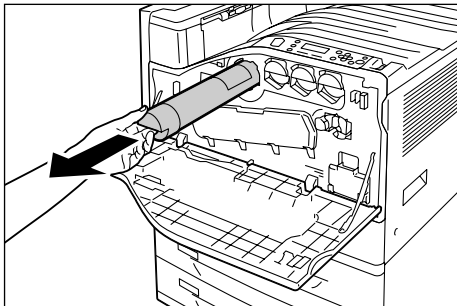
- Make sure that the power is on when replacing the toner cartridges.
- When placing a used toner cartridge on the floor or on a table, place a few sheets of paper under the cartridge to catch any toner that may spill.
- Do not reuse old toner cartridges once you remove them from the printer. Doing so can impair print quality.
- Do not shake or strike used toner cartridges. Doing so can cause the remaining toner to spill.
- Toner is not harmful to the human body. If it gets on your hands or clothes, wash it off immediately.
- We recommend you use up the toner cartridges within one year after removing them from the packaging.

Replacement Procedure

1. After confirming that the printer is not performing any operation, open the front cover.

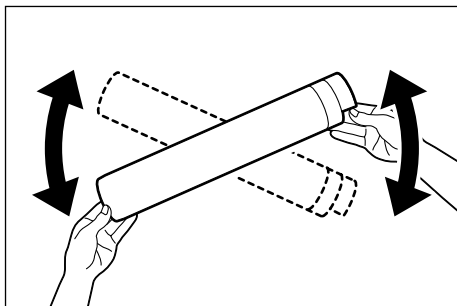


2. Carefully pull the printer cartridge indicated by the display message towards you to remove it.

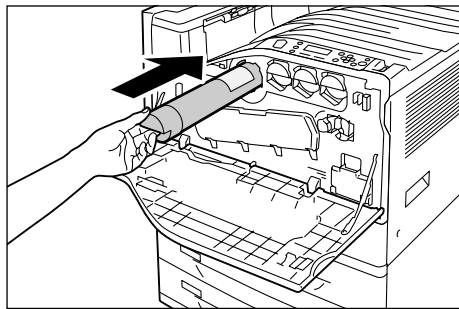


Important

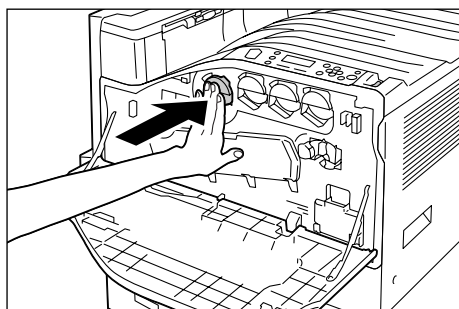
- Pull out the toner cartridge slowly. Toner may scatter from the cartridge if you are not careful.
3. Prepare a new toner cartridge for the same color as the one you removed by rocking it gently up and down, left and right three or four times as shown in the illustration to even out the toner inside.



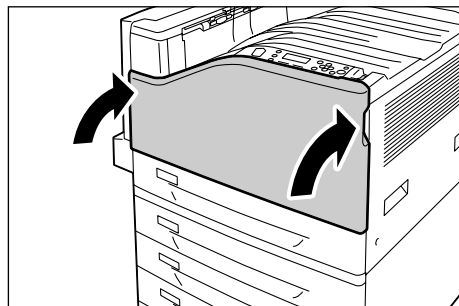
4. With the label of the toner cartridge facing upwards, insert it as far as it will go.



5. Press the toner cartridge in so it sets securely in place.



6. Close the front cover.



Replacing Drum Cartridges

The following messages appear on the printer's control panel when a drum cartridge is near or reaches the end of its life.

Message	Action
Ready to print ! Order Drum: X* ¹	The displayed drum cartridge does not need to be replaced right away, but have a new drum cartridge ready. The drum cartridge will be able to print approximately 1500* ² more pages.
Ready to print ! Replace Drum: X* ¹ • Drum Cartridge X needs to be replaced soon. Order a new cartridge.	The displayed drum cartridge needs to be replaced soon. The drum cartridge will be able to print approximately 800* ² more pages. Have a new cartridge ready.
Ready to print ! Replace Drum: X* ¹ • Replace Drum Cartridge X.	Appears when a drum cartridge reaches the end of its life after you choose to continue* ³ with [Drum Life End]. Printing can continue for a while, but quality is not guaranteed and replacement with a new drum cartridge is recommended.
Replace Drum Cartridge X* ¹	A drum cartridge is at the end of its life. The printer will stop and become unable to print. Check the location of the applicable drum cartridge on the left side of the control panel. Replace the drum cartridge indicated in the message using the procedure under "Replacement Procedure" (P. 73).

*1: The actual display shows R1, R2, R3, or R4 in place of X. R1 through R4 indicate drum cartridge names.

*2: The page yield of each consumable varies depending on print requests, documents printed, and how often the power is switched on/off. For more information, see "Life of Consumables and Regular Replacement Parts" (P. 82).

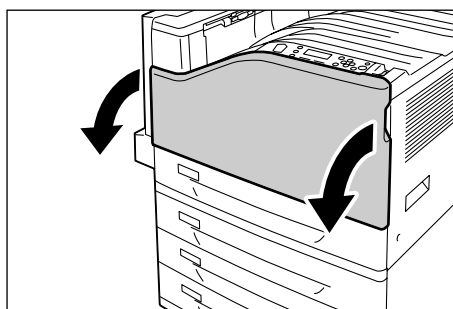
*3: In this case, the [Ready to print Replace Drum: X] message will remain on the display. For information about how to configure this setting, refer to 'User Guide'.

Replacement Procedure

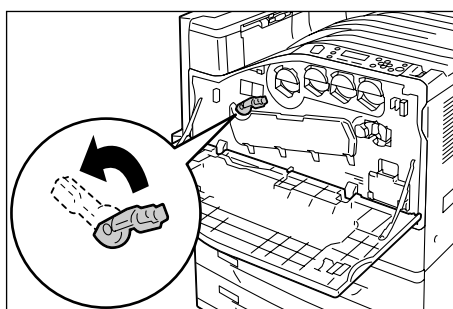
Important

- Make sure that the power is on when replacing a drum cartridge.
- Check the position of the applicable drum cartridge (R1, R2, R3, R4) on the left side of the control panel, and then replace it.

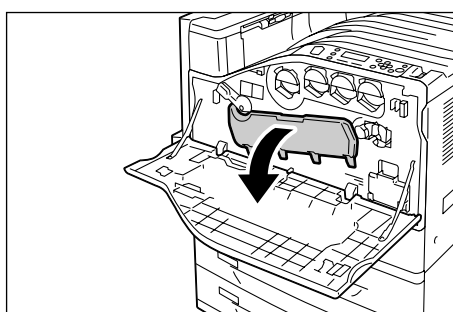
1. After confirming that the printer is not performing any operation, open the front cover.



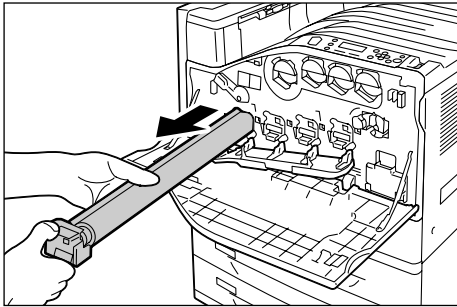
2. Rotate the lever on the front left side to unlock it.



3. Open the drum cartridge cover.



- Grasping the handle of the drum cartridge indicated by the displayed message, carefully pull out the cartridge. Here we will use cartridge R1 as an example.



Important

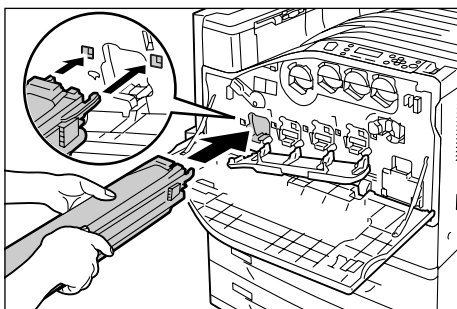
- When pulling out the drum cartridge, grasp it with both hands so it does not drop.
- Take care to avoid touching any toner adhering to the drum cartridge.

- Insert the used drum cartridge into the plastic bag that comes with the new drum cartridge. After installing the new drum cartridge, store the old one in the box the new cartridge came in.

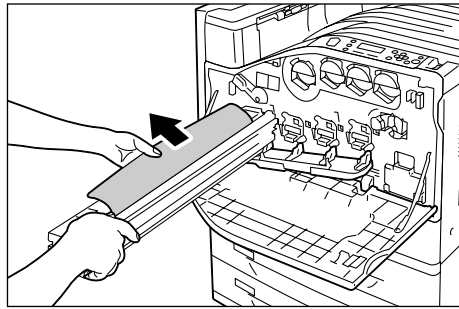
Important

- After removing a drum cartridge from its box, never stand it up on its end.

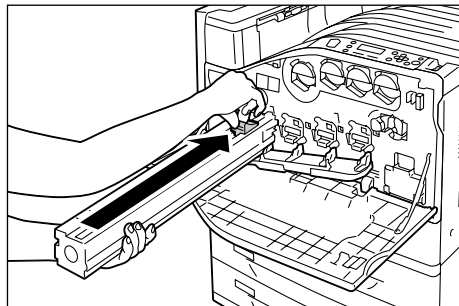
- Insert the protrusions at the end of the new drum cartridge (which has a protective cover attached) into the two holes on the machine.



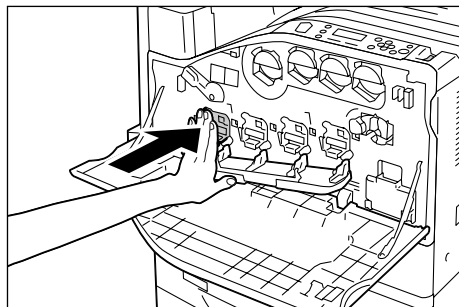
- With the protrusions inserted into the holes, pull out the black protective sheet from the top of the drum cartridge.



- Slide the orange knob towards the printer, which will push the drum cartridge inside the protective cover into the printer.



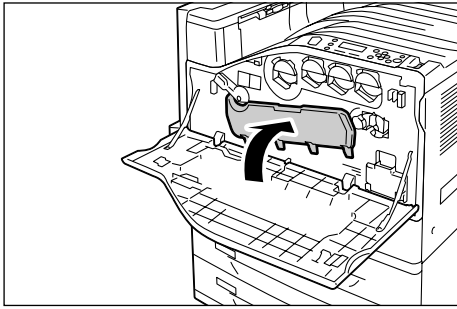
- Remove the protective cover, and press the drum cartridge in so it sets securely in place.



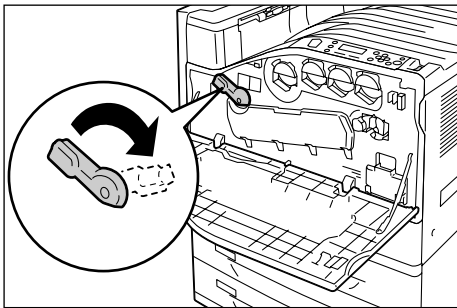
Note

- Place the protective cover into the drum cartridge box.

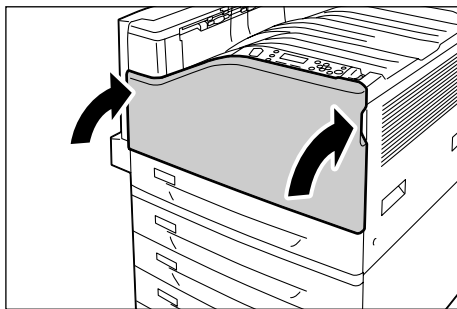
10. Close the drum cartridge cover.



11. Rotate the lever to the right to lock it.



12. Close the front cover.



Replacing the Waste Toner Bottle

Toner that remains on the drum after printing is complete is gathered into the waste toner bottle. The following messages appear on the printer's control panel when the waste toner bottle is near or reaches the end of its life.

Message	Action
Ready to print ■ ReplaceContainerR5	The waste toner bottle needs to be replaced soon. There is enough capacity to print approximately 1500* ¹ pages.
Replace Waste Toner Container R5	The printer will stop and become unable to print. Replace the waste toner bottle using the procedure under "Replacement Procedure" (P. 75).

*1: The page yield of each consumable varies depending on print requests, documents printed, and how often the power is switched on/off. For more information, refer to "Life of Consumables and Regular Replacement Parts" (P. 82).

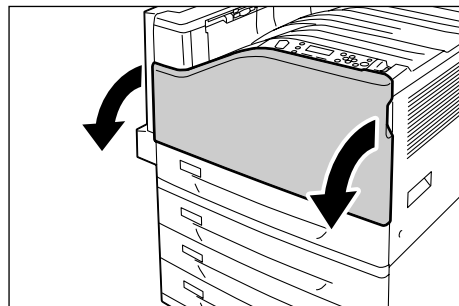
Important

- Make sure that the power is on when replacing the waste toner bottle. Switching the power off erases the print data in the printer and information accumulated in the memory.
- When replacing the waste toner bottle, waste toner can spill and soil the floor. Spread some paper on the floor before starting the replacement procedure.

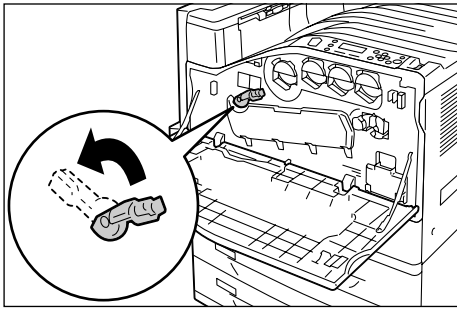
Replacement Procedure

Before replacing the waste toner bottle, clean the LED scanners.

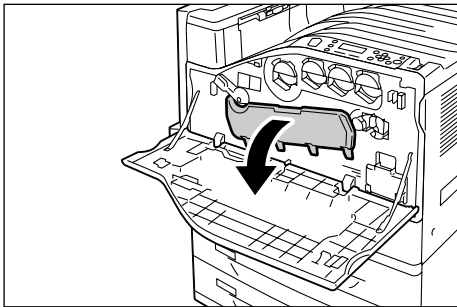
1. After confirming that the printer is not performing any operation, open the front cover.



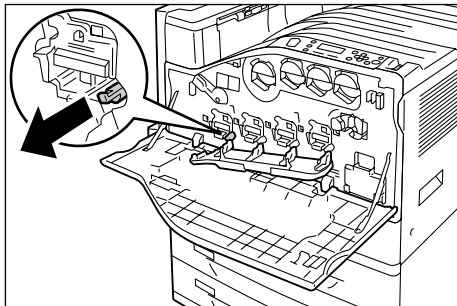
2. Rotate the lever on the front left side to unlock it.



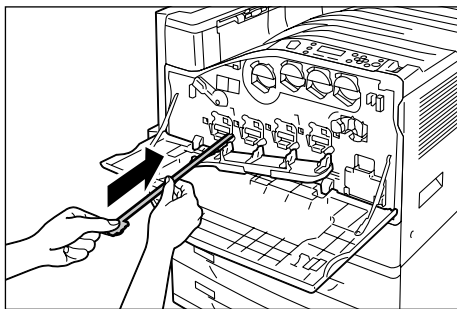
3. Open the drum cartridge cover.



4. Pull out the cleaning rod from the lower right corner of the drum cartridge slot.



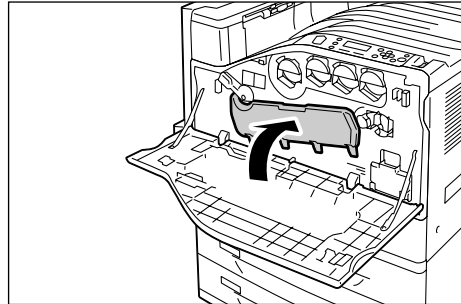
5. Pull out the cleaning rod until it stops, and then move it all the way in and out two or three times to clean the LED scanner. Repeat this step for all four drum cartridges.



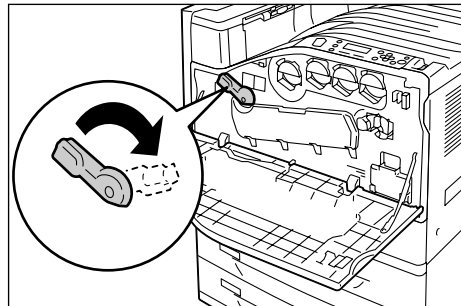
Important

- Make sure you pull the cleaning rods out as far as they will go. Also push them in as far as they will go.
- Do not use excessive force when pulling the cleaning rods.

6. Close the drum cartridge cover.

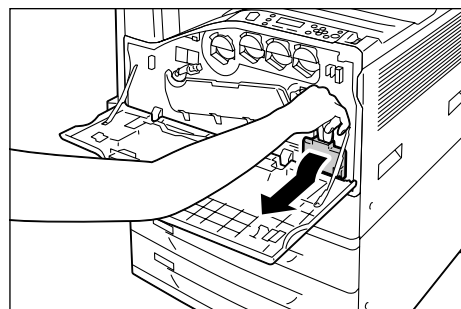


7. Rotate the lever to the right to lock it.

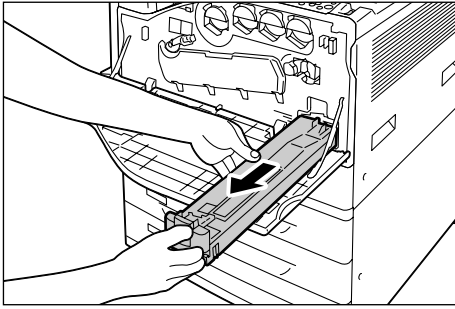


The LED scanners are now clean. Next, replace the waste toner bottle.

8. Hook your finger over the top of the waste toner bottle and pull it out towards you.



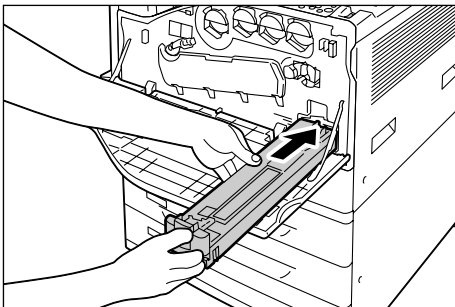
- Grasp the waste toner bottle with your other hand as shown in the illustration, and pull it out of the printer.



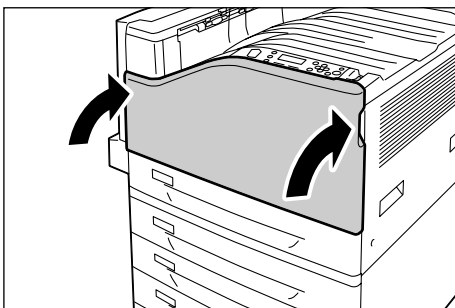
Important

- Take care to avoid dropping the waste toner bottle while you are removing it.

- Insert the used waste toner bottle into the plastic bag that comes with the new waste toner bottle and seal the bag.
- Insert the new waste toner bottle into the slot and press it in as far as it will go.



- Close the front cover.



Replacing the Fuser Unit

The following messages appear on the printer's control panel when the fuser unit is near or reaches the end of its service life. When replacing the fuser unit, also replace the transfer belt cleaner.

Note

- For instructions on replacing the transfer belt cleaner, refer to "Replacing the Transfer Belt Cleaner" (P. 79).

Message	Action
Ready to print ! Replace Fuser R8 • Fuser Cartridge R8 needs to be replaced soon. Order a new Fuser Cartridge.	The fuser unit needs to be replaced soon. There is enough capacity to print approximately 10,000* ¹ pages.
Ready to print ! Replace Fuser R8 • Replace Fuser Cartridge R8.	The fuser unit has reached the end of its replacement life. Refer to "Replacement Procedure" (P. 77) when replacing the fuser unit and then refer to "Resetting the Counter" (P. 79) to clear the counter.

*1: The page yield of each consumable varies depending on print requests, documents printed, and how often the power is switched on/off. For more information, refer to "Life of Consumables and Regular Replacement Parts" (P. 82).

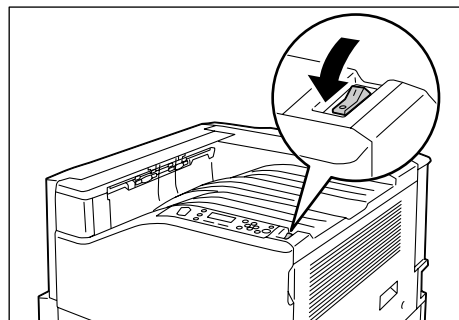
Replacement Procedure

! CAUTION

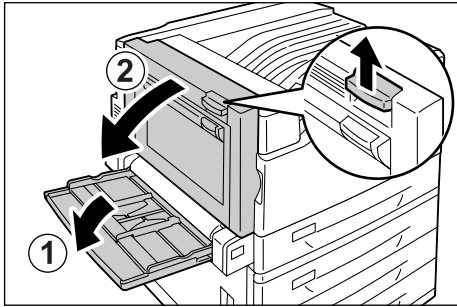
Fuser Safety

- When removing the fuser unit, always switch off first and wait for 40 minutes until it cools off.

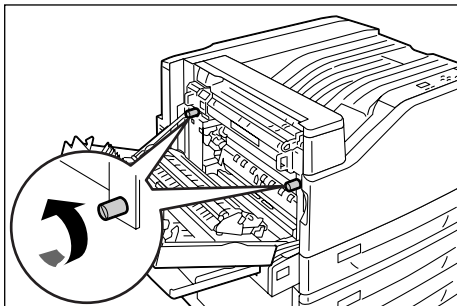
- Switch the power off by pressing the <⏻> side of the power switch.



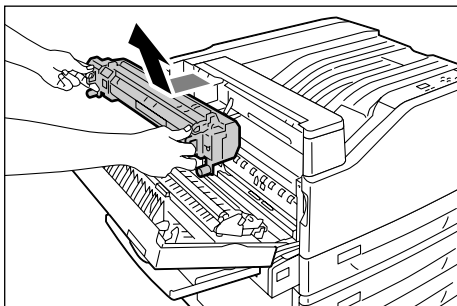
2. Unplug the power cord from the power outlet and the printer.
3. Wait 40 minutes for the machine to cool off.
4. Lower the bypass tray. While raising the release lever, carefully open cover A.



5. Loosen the two knobs on the fuser unit.



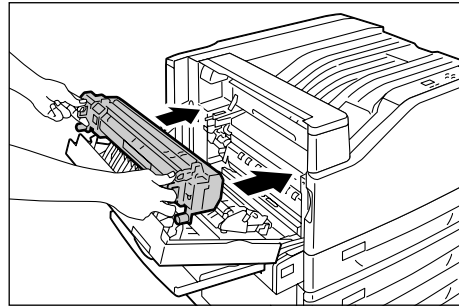
6. Holding the fuser unit with both hands, pull it out of the printer.



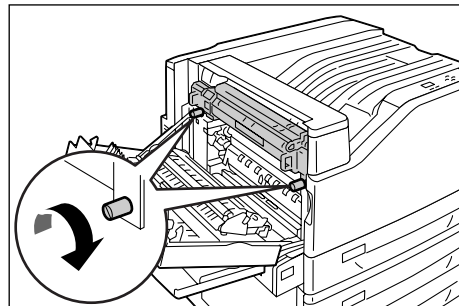
Important

- The fuser unit is heavy, so use both hands to remove it.

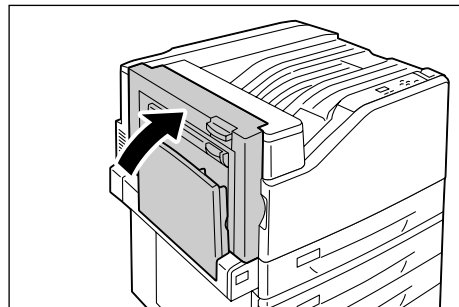
7. Remove the new fuser unit from its package. Holding it with both hands, slide it into the printer.



8. Tighten the two knobs to secure the fuser unit in place.



9. Press the center of cover A and gently close it. Next raise the bypass tray.



Important

- When closing the covers, be careful not to get your fingers caught between the covers and the printer.

10. Connect the power cord to the printer. Press the <|> side of the printer's power switch to turn on the power.

11. Advance to "Resetting the Counter" (P. 79).

Resetting the Counter

After replacing the fuser unit, perform the required control panel operations to reset their respective counters.

When replacing the fuser unit, be sure to reset the counter on the control panel.

1. On the control panel, press the <▼> and <OK> buttons at the same time. This displays the [Consumables Menu].

Consumables Menu
Non-Genuine

2. Press the <▼> so [Reset Counter] is displayed.

Consumables Menu
Reset Counter

3. Press either the <▶> or <OK> button to select. [Fuser Assembly] is displayed.

Reset Counter
Fuser Assembly

4. Press either the <▶> or <OK> button to select.

Fuser Assembly
Use OK to reset

5. This resets the counter for the fuser unit.

Fuser Assembly
Reset completed

6. Press the <Menu> button to close the menu.

Replacing the Transfer Belt Cleaner

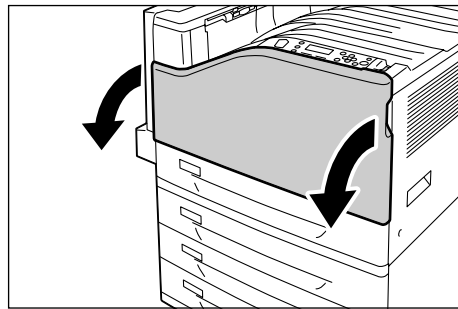
Replace the fuser unit and the transfer belt cleaner at the same time.

Replacement Procedure

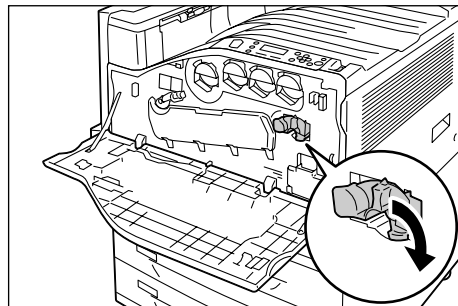
Important

- Before setting down a used transfer belt cleaner, spread out the plastic sheet from the new transfer belt cleaner to prevent things from getting dirty.

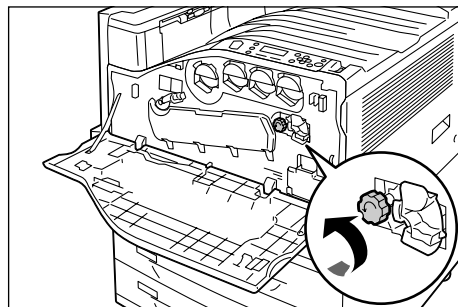
1. Open the front cover.



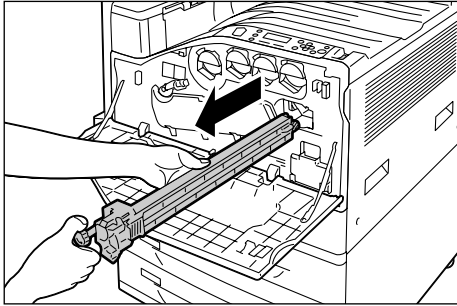
2. Rotate the transfer belt cleaner cover on the front right side to open it.



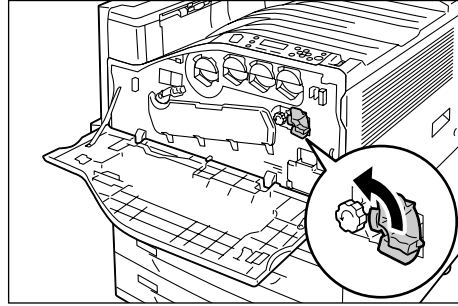
3. Loosen the knob. Turn the knob until it pops out.



4. Pull out the transfer belt cleaner with both hands and lower it to remove it.



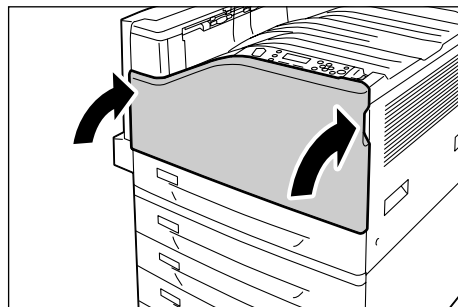
7. Rotate the transfer belt cleaner cover to the left to close it.



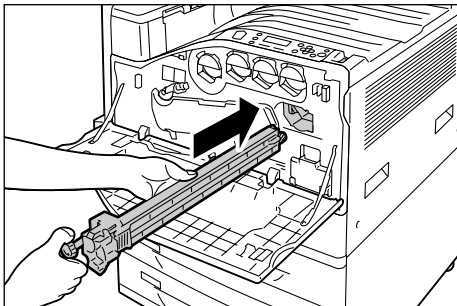
Important

- When pulling out the transfer belt cleaner, grasp it with both hands so you do not drop it.
- Never stand the used transfer belt cleaner on end.
- Wrap the used transfer belt cleaner in the plastic sheet that comes with the new transfer belt cleaner. Then insert the used cleaner into the plastic bag that comes with the new transfer belt cleaner.

8. Close the front cover.



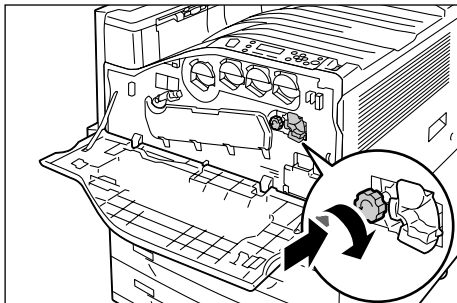
5. Remove the new transfer belt cleaner from its packaging, and insert it into the printer.



Important

- Insert the transfer belt cleaner as far as it will go.

6. While pressing the knob, tighten it to secure the transfer belt cleaner in place.



A Appendix

Options

The following table lists the main accessories available for the printer. To purchase them, contact the dealer where you purchased the printer.

Product Name	Product Code	Description
Hard Disk Unit	EL300704	For functions that require a hard disk, refer to "Installing the Hard Disk" (P. 86).
Memory 256MB	EL300705	Increases the printer's memory capacity. For information about the features and situations that require additional memory, refer to "Installing Additional Memory" (P. 83).
Memory 512MB	EL300706	
Memory 1024MB	EL300707	
Parallel Port	EL300703	Required to use the parallel interface.
Single Tray Module	EL300697	Paper tray for loading up to 560 sheets of plain paper (Fuji Xerox P paper). Installs directly under the printer unit.
3 Tray Module	EL300696	Three paper trays for loading up to 560 sheets of plain paper (Fuji Xerox P paper). Installs directly under the printer unit.
Duplex unit	EL300698	Required for 2-sided printing.
Korea Font ROM	EL300711	Korea Fonts (Myungjo, Gothic, Round Gothic, Graphic, Kungso, Saemul) can be used for printing. KS/KSSM/ KS5895 emulation also can be used. The Korea Font ROM and Feature Enhance Kit cannot be installed at the same time.
TC/SC Font ROM	EL300710	Chinese Fonts (ShuSong, KaiTi, HeiTi, FangSong) can be used for printing. The TC/SC Font ROM and Feature Enhance Kit cannot be installed at the same time.
Feature Enhance Kit	EL300701	Required to use the following features. <ul style="list-style-type: none">• Image log• Watermark• Network accounting feature Additional memory and the hard disk is required to use the Feature Enhance Kit. The Feature Enhance Kit, TC/SC Font ROM and Korea Font ROM cannot be installed at the same time.
Cabinet	EL300699	The printer unit can be placed on the Cabinet.
Castor Base	EL300700	The printer can be placed on the Castor Base.

- Product names and codes are current as of March 2008.
- Product names and codes are subject to change.
- For the latest information about optional accessories, contact our Customer Support Center or your dealer.

Life of Consumables and Regular Replacement Parts

Life of Consumables

Consumables	Page Yield
Toner cartridge (black)	Approx. 15,000 pages
Toner cartridge (cyan/magenta/yellow)	Approx. 12,000 pages
Drum cartridge	Approx. 40,000 pages
Waste toner bottle	Approx. 25,000 pages
Fuser kit (Fuser unit, Transfer belt cleaner)	Approx. 100,000 pages

Important

- Toner
Reference values are measured based on ISO/IEC19798. Actual replacement cycles depend on printing conditions, output contents, paper size and type, and environment.
- Drum
The number of printed pages is a reference value based on A4-size □ one-sided printing of an average of three continuous sheets per print job. The actual number of printable pages depends on the conditions defined above, in addition to the number of continuous prints, paper size, paper type, paper feed direction, paper tray and output tray settings, monochrome/color auto selection*, other mode selections, the initialization operation performed when the printer power is turned on or off, adjustments to maintain print quality, and other operating environment conditions. Certain conditions may result in actual values that are half those shown in the table. The values presented here are for reference only.
* When [Color] is selected on the printer, certain data may use the color drum even when printing a monochrome page.
- Waste toner bottle
The number of printable pages is based on continuous printing of A4 □-size, portrait orientation, one-sided prints, with an image density of 5% for each color, and a color-to-monochrome ratio of 6:4. Actual replacement cycles depend on printing conditions, output contents, paper size and type, and environment.
- Fuser kit
The replacement cycles are targets based on continuous, one-sided printing on A4-size □ plain paper. The actual number of printable pages can vary greatly from these values due to paper size and type, printing environment and other printing conditions, such as the frequency of power-ups. This is because the indicated number of pages are calculated based on estimations of factors that influence actual replacement part life. Though the deciding factor for fuser unit life, for example, is power on time, this is converted and indicated as number of print pages.

Regular Replacement Parts

Part Name	Replacement Life
Maintenance kit (200K)	Approx. 200,000 pages
Maintenance kit (480K)	Approx. 480,000 pages

Important

- The printer has certain components that need to be replaced periodically in order to maintain its functionality and performance. These components are called the regular replacement parts. The replacement cycles are targets based on continuous, one-sided printing on A4-size □ plain paper. The actual number of printable pages can vary greatly from these values due to paper size and type, printing environment and other printing conditions, such as the frequency of power-ups. This is because the indicated number of pages are calculated based on estimations of factors that influence actual replacement part life. Replacement of regular replacement parts should be performed by an engineer. You will be charged for labor as well as the for the cost of the replacement part.

Note

- A warning message appears about 1,500 sheets prior to when replacement is necessary for the Maintenance kit (200K), and Maintenance kit (480K).

Obtaining Product Information

Obtaining the Latest Print Driver Version

The latest print driver can be obtained by downloading it from our web site.

Note

- The communication fee shall be borne by you.

- On the Properties dialog box of your current print driver version, click the [Advanced Settings] tab and then [About].
- Click [Fuji Xerox Web Site]. Your web browser launches and our web site is displayed.
- Follow the instructions on the web site and download an appropriate print driver.

Note

- You also can browse our web site using the Driver CD Kit CD-ROM that comes with the printer. To access the web site, click [Fuji Xerox Web Site] on the startup window of the CD-ROM.
- The following is the URL of the driver download service page:
<http://www.fxprinters.com/>
- For the latest information about print driver features, refer to the online help for the print driver.

Updating the Printer's Firmware

The Fuji Xerox web site also provides a tool that allows you to update the printer's firmware (software embedded within the printer) from your computer.

The latest firmware and updating tool can be downloaded from the URL shown below.

Follow the instructions on the web site and download an appropriate firmware.

<http://www.fxprinters.com/>

Note

- The communication fee shall be borne by you.

Installing Additional Memory

Additional memory must be installed in any of the following instances.

- To print using the print driver's Print Page Mode Selecting [On] for [Print Page Mode] changes the printing method of the printer. When printing large volumes of data or when the printer is taking too much time to print, change the [Print Page Mode] setting to [On] and try printing again.
- When the low memory message appears frequently while printing

Additional Memory also may be required to increase the number of print driver image quality, paper sizes, and other options. For more information about additional memory and how to order it, refer to the following section.

Note

- The amount of memory required depends on the type of print driver being used.
- The memory capacity values shown in the table below are based on the printer's initial factory default settings. The require memory capacity depends on the printer's operating environment, enabled protocol status, and buffer size.
- For information about additional memory installed in the printer and precautions about additional memory, refer to "Options" (P. 81).

PCL print driver

		Memory capacity 1-sided	Memory capacity 2-sided
Image Quality	Paper Size	Supported Output	Supported Output
Standard	A5	Standard (256 MB)	
	B5		
	A4		
	B4		
	A3		
	Custom Size		
	Long size (297 x 1200 mm)	Standard (256 MB)	-

		Memory capacity 1-sided	Memory capacity 2-sided
Image Quality	Paper Size	Supported Output	Supported Output
High Quality	A5	Standard (256 MB)	
	B5		
	A4		
	B4		
	A3		
	Custom Size		
	Long size (297 x 1200 mm)	Standard (256 MB)	-
High Resolution	A5	Standard (256 MB)	
	B5		
	A4		
	B4		
	A3		
	Custom Size		
	Long size (297 x 1200 mm)	512 MB (Standard+256 MB)	-

		Memory capacity 1-sided	Memory capacity 2-sided
Image Quality	Paper Size	Supported Output	Supported Output
High Quality	A5	512 MB (Standard+256 MB)	
	B5		
	A4		
	B4		
	A3		
	Custom Size		
	Long size (297 x 1200 mm)	768 MB (Standard+512 MB)	-
High Resolution	A5	512 MB (Standard+256 MB)	
	B5		
	A4		
	B4		
	A3		
	Custom Size		
	Long size (297 x 1200 mm)	512 MB (Standard+256 MB)	-

PostScript Print Driver

		Memory capacity 1-sided	Memory capacity 2-sided
Image Quality	Paper Size	Supported Output	Supported Output
High Speed	A5	Standard (256 MB)	Standard (256 MB)
	B5		
	A4		
	B4		
	A3		
	Custom Size		
	Long size (297 x 1200 mm)		-

Adding Options

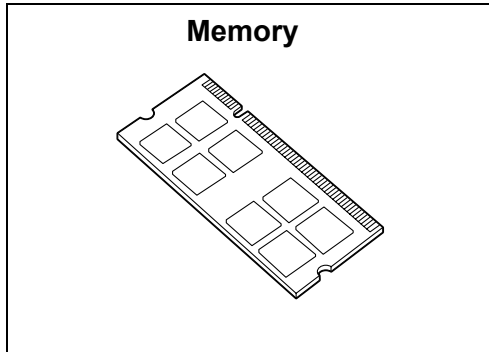
Depending on the current status of the printer, installation of a hard disk (option) or the Feature Enhance Kit (option) may require installation of additional memory.

For information about memory requirements, refer to the table below.

Current Printer Status	Adding a Hard Disk	Adding a Feature Enhance Kit (Installation of Hard Disk also required.)
Main unit only	At least 512 MB (Standard + at least 256 MB)	At least 512 MB (Standard + at least 256 MB)

Procedure for Installing Additional Memory

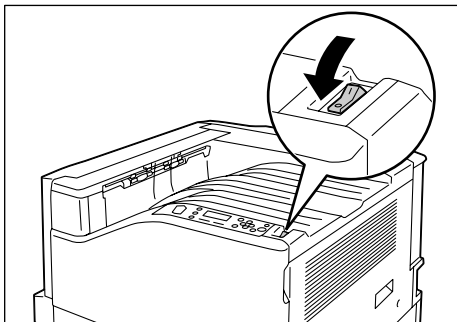
This section describes how to install additional memory on the printer.



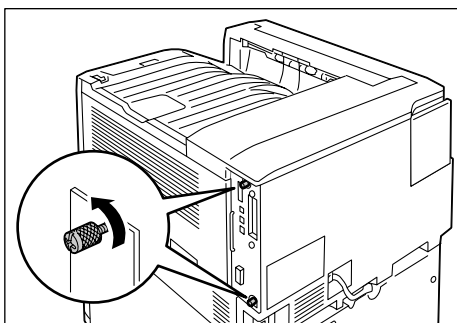
Note

- The printer has two memory card slots. Slot 1 already has the standard Memory 256 MB installed. Use Slot 2 to install additional memory.
- Memory capacity can be expanded to a maximum of 1.5 GB by installing a Memory 1024 MB card in Slot 2 and replacing the memory card in Slot 1 with a Memory 512 MB card.

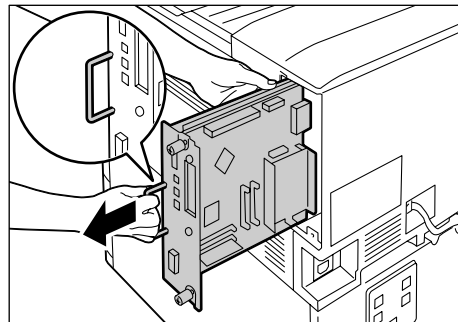
1. Switch the power off by pressing the <⏻> side of the power switch.



2. Unplug the power cord from the power outlet and the printer.
3. Loosen the two screws on the back right side of the printer.



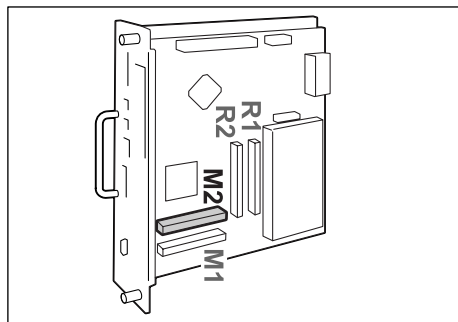
4. Pull out the handle on the control board and then carefully pull the control board out of the printer. Place the control board on a table top or some other flat surface.



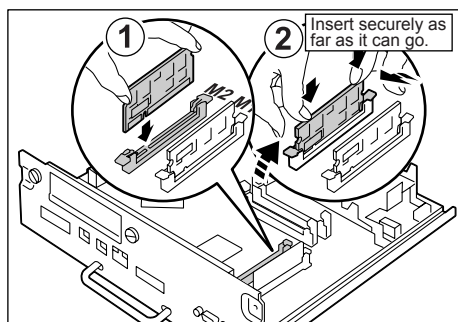
Important

- When pulling out the control board, hold it with both hands so you do not drop it.

5. Insert the additional memory card into the M2 slot as shown in the illustration to the right.



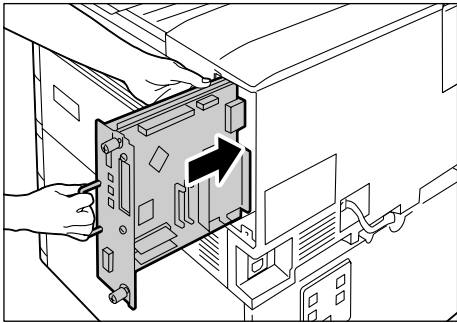
Aligning the notch in the memory card with the tab in the M2 slot, insert the card straight into the slot. Next, press the memory card down firmly into the slot.



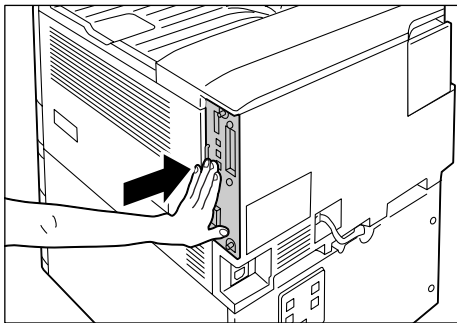
Note

- Make sure the additional memory card is inserted securely as far as it can go.
- When the memory card is installed correctly, the retaining clips on both ends stand up.

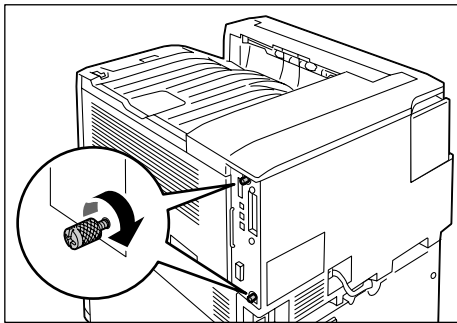
- Reinsert the control board back into the printer. Holding its handle, slide the control board back into the printer.



Press the control board in as far as it will go.



- Tighten the two screws to secure the control board in place.



- Connect the power cord to the printer. Press the <|> side of the printer's power switch to turn on the power.
- Print the [Configuration Report] and confirm that the [Total Size] value of the [Memory] item in the [Print Service Settings] section is correct.

Refer to

- List printing procedure: "Printing a Report/List" (P. 36)

The installation is now complete.

Note

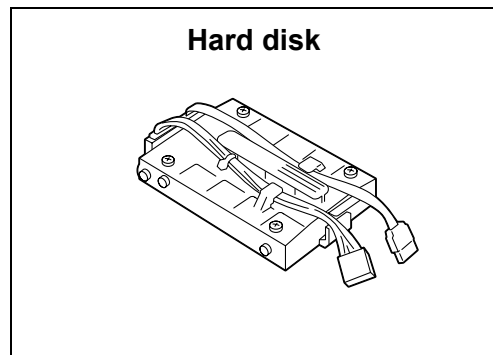
- After installing additional memory, use the properties dialog box of the print driver to change the printer configuration. For details, refer to the online help for the print driver.

Installing the Hard Disk

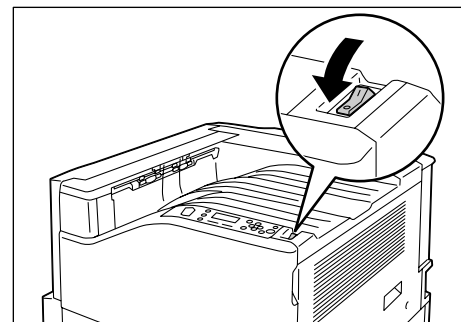
The hard disk must be installed in any of the following instances.

- To enable the following features
Sample Set, Secure Print, E-mail Print, Private Charge Print, Delayed Print, Font Downloading, SMB folder, Feature Enhance Kit, IEEE802.1x authentication, IPsec certificate
- To enhance the following installed features
Number of forms that can be registered, electronic sort feature performance, spool capacity, number of log entries

This section describes how to install the hard disk on the printer.

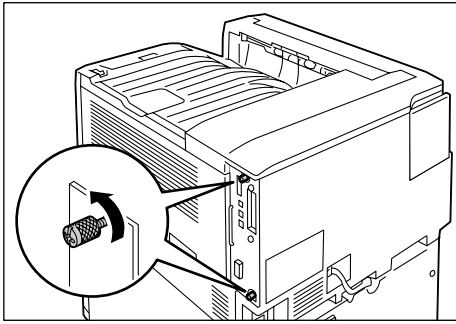


- Switch the power off by pressing the <⏻> side of the power switch.

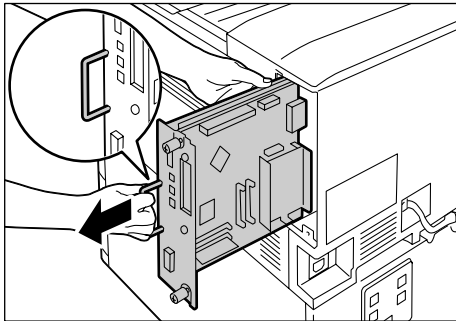


- Unplug the power cord from the power outlet and the printer.

3. Loosen the two screws on the back right side of the printer.



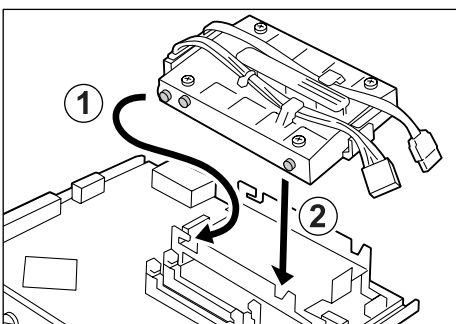
4. Pull out the handle on the control board and then carefully pull the control board out of the printer. Place the control board on a table top or some other flat surface.



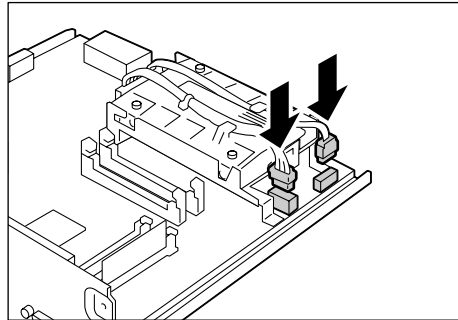
Important

- When pulling out the control board, hold it with both hands so you do not drop it.

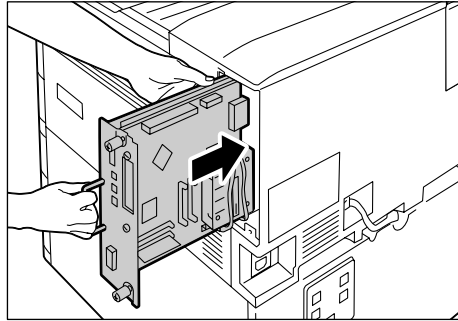
5. With the connector cables of the hard disk facing outwards, attach the hard disk to the gold frame on the control board. Make sure the protrusions of the hard disk fit correctly into the slots of the frame.



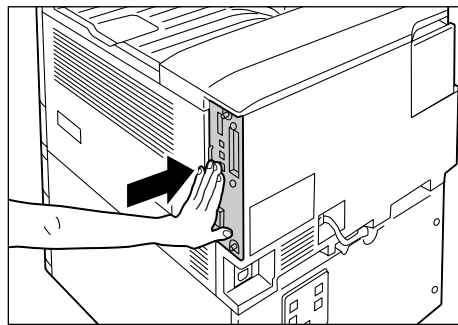
6. Connect each of the hard disk connector cables to the connectors on the control board.



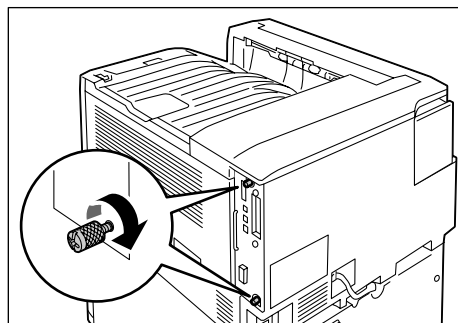
7. Reinsert the control board back into the printer. Holding its handle, slide the control board back into the printer.



Press the control board in as far as it will go.



8. Tighten the two screws to secure the control board in place.



9. Connect the power cord to the printer. Press the <|> side of the printer's power switch to turn on the power.
10. Print the [Configuration Report] and confirm that [Hard Disk] is included for the [Machine Configuration] item in the [System Settings] section.

Refer to

- List printing procedure: "Printing a Report/List" (P. 36)

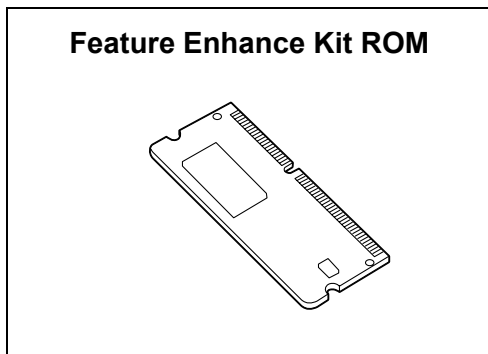
Hard disk installation is now complete.

Note

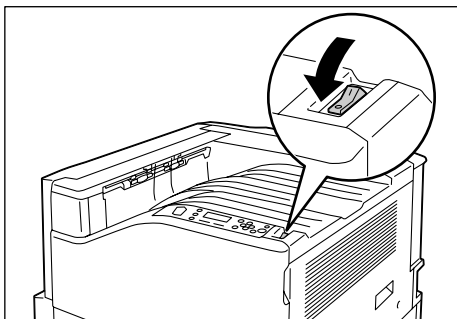
- After installing the hard disk, use the properties dialog box of the print driver to change the printer configuration. For details, refer to the online help for the print driver.

Installing the Feature Enhance Kit

This section following describes how to install the Feature Enhance Kit.

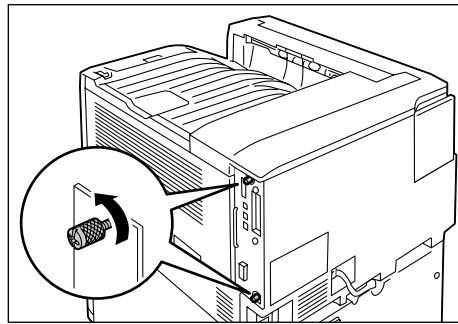


1. Switch the power off by pressing the <⏻> side of the power switch.

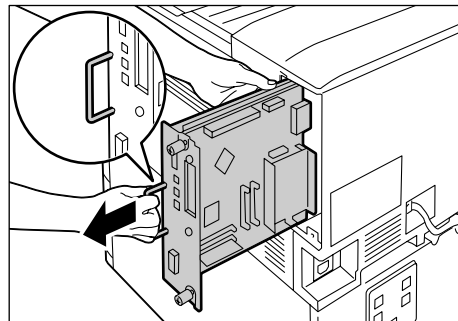


2. Unplug the power cord from the power outlet and the printer.

3. Loosen the two screws on the back right side of the printer.



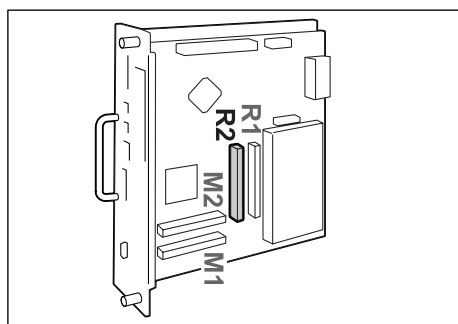
4. Pull out the handle on the control board and then carefully pull the control board out of the printer. Place the control board on a table top or some other flat surface.



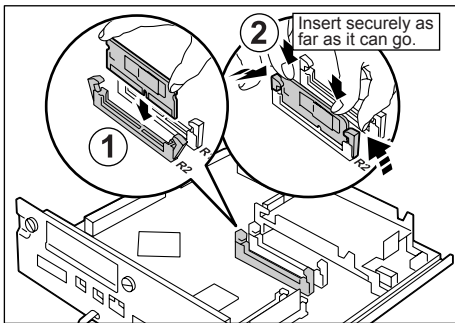
Important

- When pulling out the control board, hold it with both hands so you do not drop it.

5. Insert the Feature Enhance Kit ROM card into slot R2 as shown in the illustration to the right.



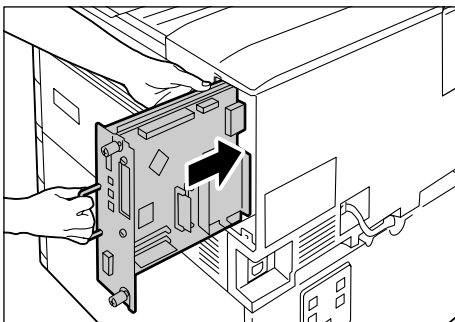
Aligning the notch in the ROM card with the tab in the R2 slot, insert the card straight into the slot. Next, press the ROM card down firmly into the slot.



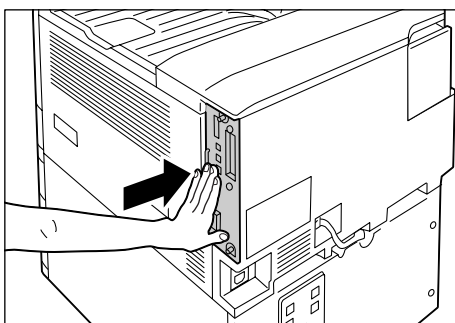
Note

- Make sure the ROM card is inserted securely as far as it can go.
- When the ROM card is installed correctly, the retaining clips on both ends stand up.

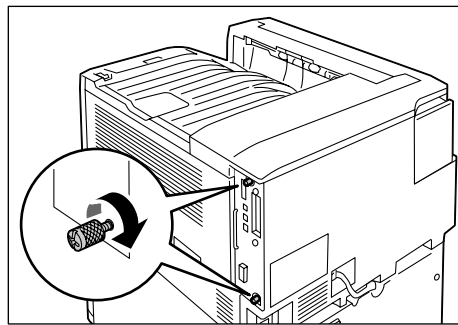
6. Reinsert the control board back into the printer. Holding its handle, slide the control board back into the printer.



Press the control board in as far as it will go.



7. Tighten the two screws to secure the control board in place.



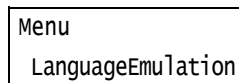
8. Connect the power cord to the printer. Press the <|> side of the printer's power switch to turn on the power.

The installation is now complete. Next, continue from step 9 enable the Feature Enhance Kit feature from the control panel.

Important

- Once you install the Feature Enhance Kit and enable it with the control panel, that Feature Enhance Kit is not usable on any other printer.

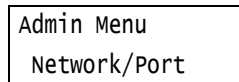
9. Press the <Menu> button on the control panel to display the menu screen.



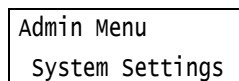
10. Press the <▼> button until [Admin Menu] is displayed.



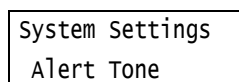
11. Press the <▶> or <OK> button to select. [Network/Port] is displayed.



12. Press the <▼> button until [System Settings] is displayed.



13. Press the <▶> or <OK> button to select. [Alert Tone] is displayed.



- Press the <▼> button until [Software Options] is displayed.

```
System Settings
Software Options
```

- Press the <▶> or <OK> button to select. The [FeatureEnhance kit] is displayed.

```
Software Options
FeatureEnhance kit
```

Note

- If the message [Install options unavailable] appears, it means that the Feature Enhance Kit ROM is not installed correctly. Re-install the ROM.

- Press the <▶> or <OK> button to select. [Enable kit] is displayed.

```
FeatureEnhance kit
Enable kit
```

- Press the <▶> or <OK> button to select. [Press OK to enable] is displayed.

```
FeatureEnhance kit
Press OK to enable
```

- Press the <OK> button to apply the setting. The setup process starts.

```
FeatureEnhance kit
Enabling...
```

- When the [Enabled] message appears, press the <Menu> button to return to the print screen.

```
FeatureEnhance kit
Enabled
```

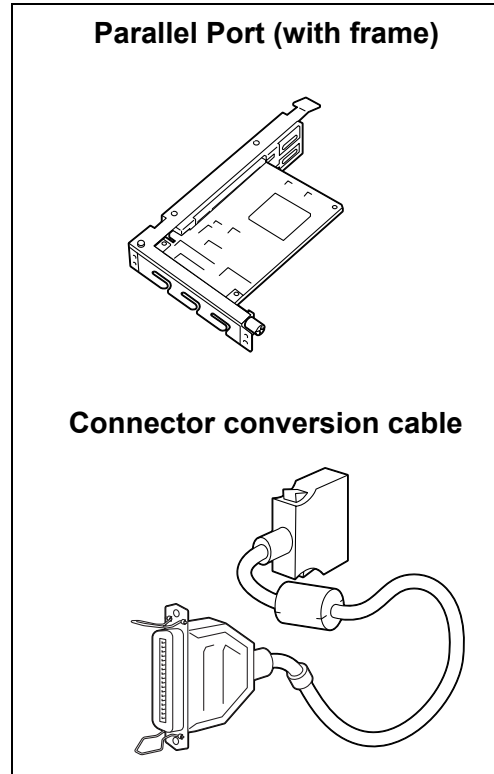
Important

- If the Feature Enhance Kit installed was previously used on another printer, the message [Serial Number Error] appears, followed by the serial number of the other printer. Once you install the Feature Enhance Kit and enable it with the control panel, that Feature Enhance Kit is not usable on any other printer. Also, the message [Failed to enable] will appear if the Feature Enhance Kit is not installed correctly on the printer.

Installing the Parallel Port

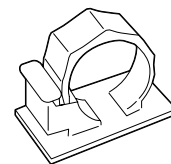
This section describes how to install the Parallel Port on the printer.

Before performing the following procedure, assemble the Parallel Port and frame in accordance with the instruction manual that comes with the option.

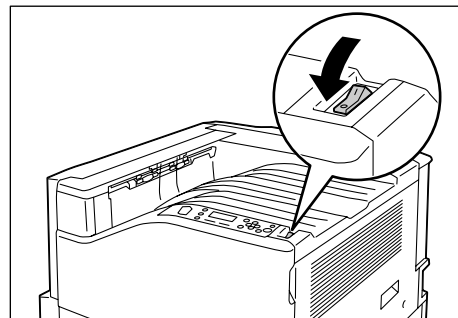


Note

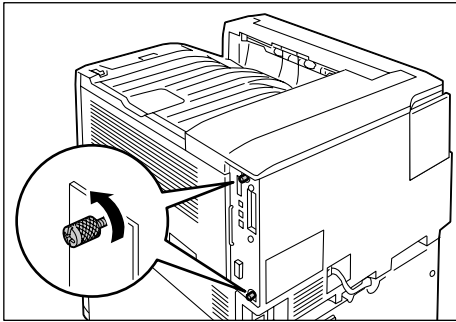
- The clamp that come with the option are not used with this printer.



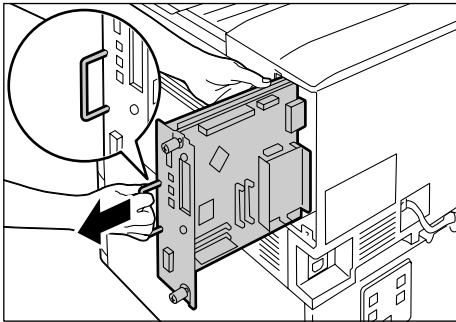
- Switch the power off by pressing the <⏻> side of the power switch.



2. Unplug the power cord from the power outlet and the printer.
3. Loosen the two screws on the back right side of the printer.



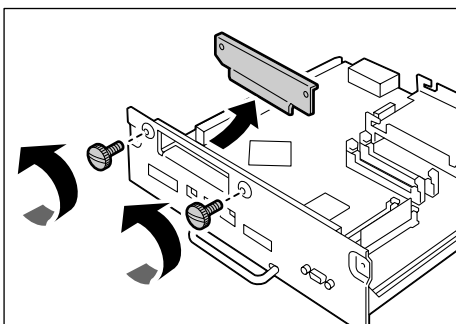
4. Pull out the handle on the control board and then carefully pull the control board out of the printer. Place the control board on a table top or some other flat surface.



Important

- When pulling out the control board, hold it with both hands so you do not drop it.

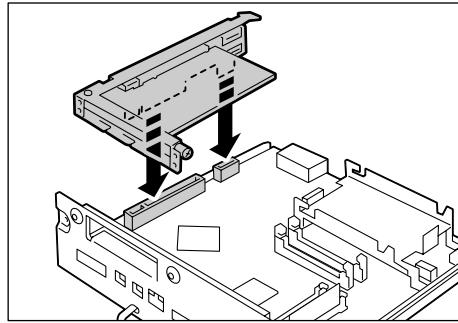
5. Remove the two screws on the control board and then remove the dummy plate.



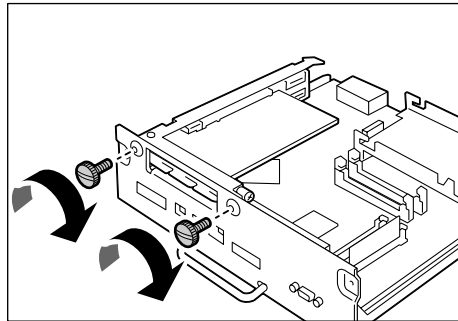
Note

- Note that you will need the screws you remove here in step 7 of this procedure.

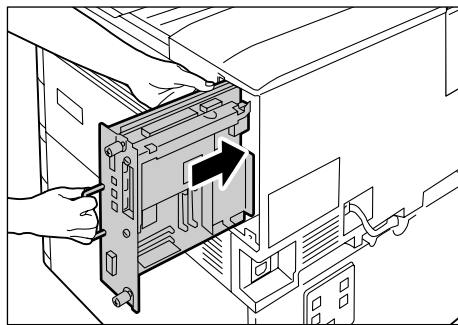
6. Aligning the Parallel Port (with frame) with the control board connectors, insert the Parallel Port from above into the connectors.



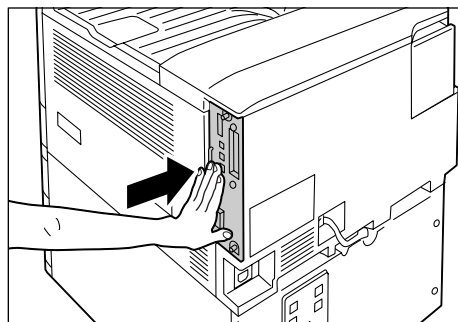
7. Use the screws you removed in step 5 to secure the Parallel Port to the front plate of the control board.



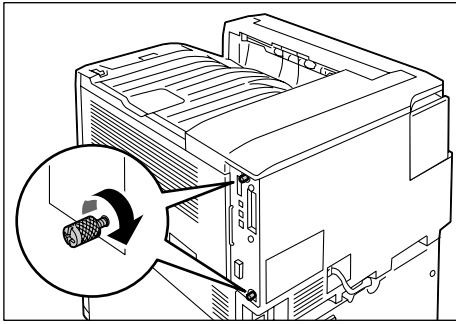
8. Reinsert the control board back into the printer. Holding its handle, slide the control board back into the printer.



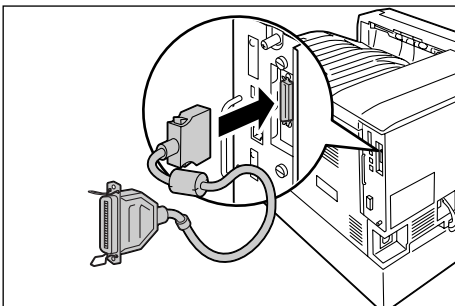
Press the control board in as far as it will go.



- Tighten the two screws to secure the control board in place.



- Connect the connector conversion cable to the Parallel Port connector.



Note

- Connect the parallel cable to the connector on other end of the connector conversion cable. For more information, refer to "Connecting a cable" (P. 22).

- Connect the power cord to the printer. Press the <|> side of the printer's power switch to turn on the power.
- Print the [Configuration Report] and confirm that [Parallel] is included in the [Communication Settings] section.

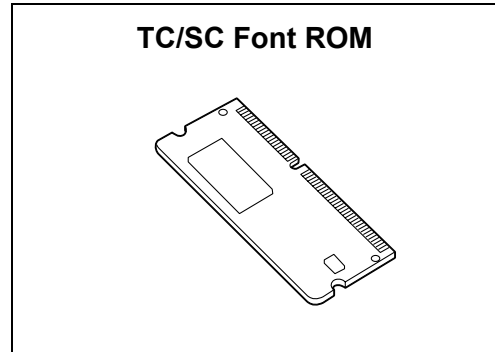
Refer to

- List printing procedure: "Printing a Report/List" (P. 36)

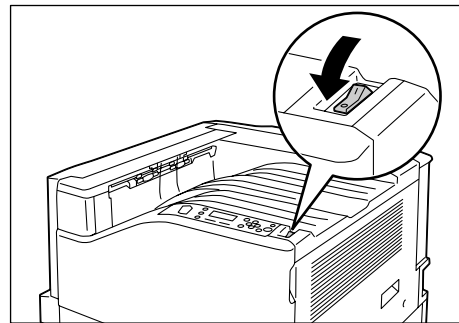
Parallel Port installation is now complete.

Installing the TC/SC Font ROM

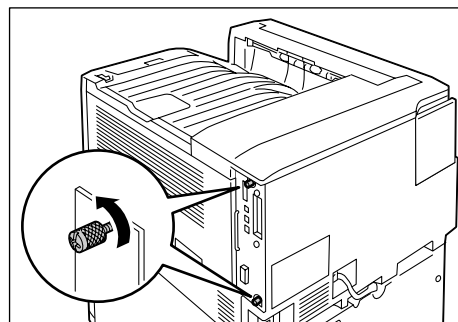
This section describes how to install the TC/SC Font ROM on the printer.



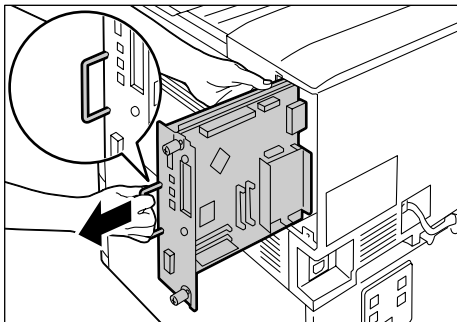
- Switch the power off by pressing the <⏻> side of the power switch.



- Unplug the power cord from the power outlet and the printer.
- Loosen the two screws on the back right side of the printer.



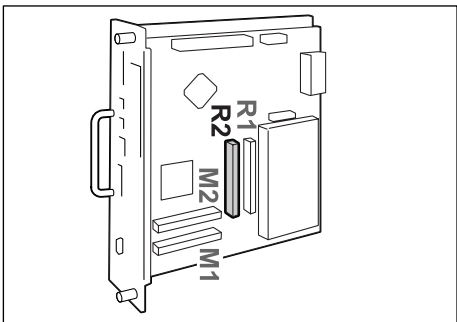
4. Pull out the handle on the control board and then carefully pull the control board out of the printer. Place the control board on a table top or some other flat surface.



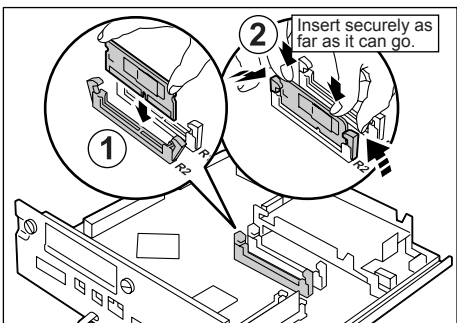
Important

- When pulling out the control board, hold it with both hands so you do not drop it.

5. Insert the TC/SC Font ROM card into slot R2 as shown in the illustration to the right.



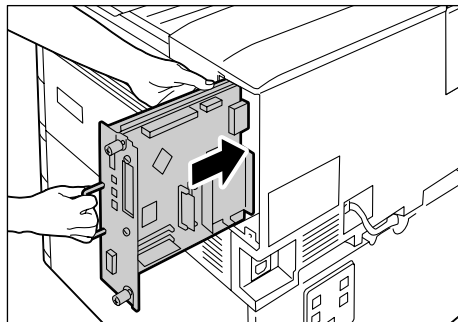
Aligning the notch in the ROM card with the tab in the R2 slot, insert the card straight into the slot. Next, press the ROM card down firmly into the slot.



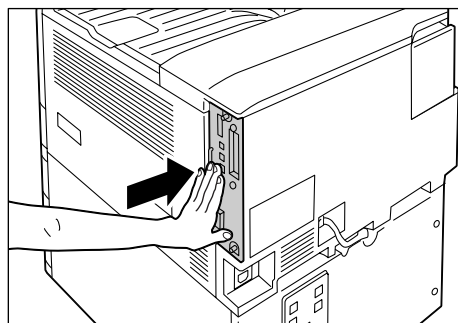
Note

- Make sure the ROM card is inserted securely as far as it can go.
- When the ROM card is installed correctly, the retaining clips on both ends stand up.

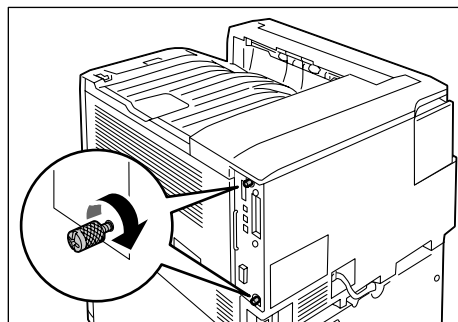
6. Reinsert the control board back into the printer. Holding its handle, slide the control board back into the printer.



Press the control board in as far as it will go.



7. Tighten the two screws to secure the control board in place.

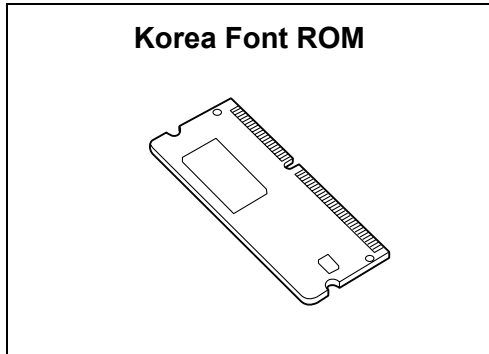


8. Connect the power cord to the printer. Press the <|> side of the printer's power switch to turn on the power.
9. Print the [Font List] and confirm the TC/SC fonts are included.

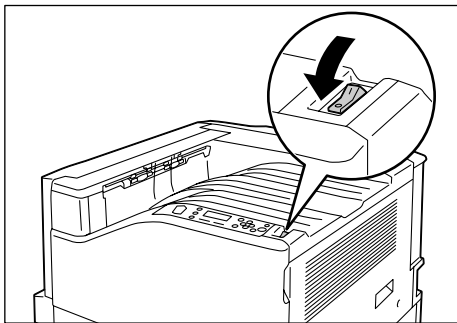
TC/SC Font ROM installation is now complete.

Installing the Korea Font ROM

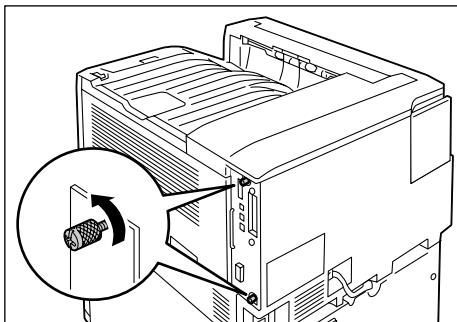
This section describes how to install the Korea Font ROM on the printer.



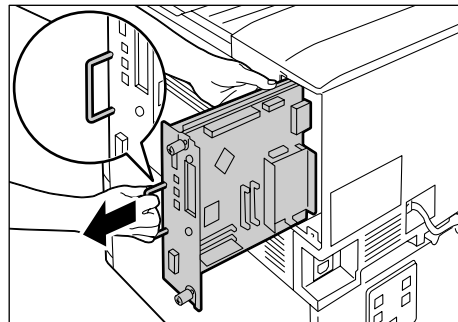
1. Switch the power off by pressing the <math>\text{</math> side of the power switch.



2. Unplug the power cord from the power outlet and the printer.
3. Loosen the two screws on the back right side of the printer.



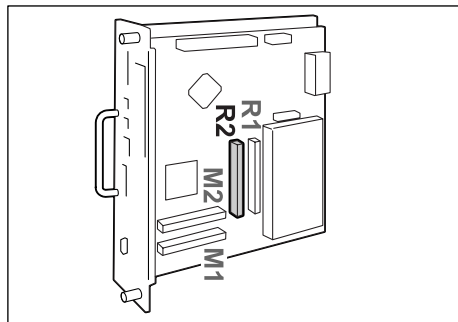
4. Pull out the handle on the control board and then carefully pull the control board out of the printer. Place the control board on a table top or some other flat surface.



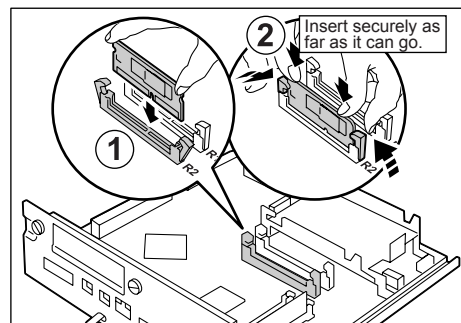
Important

- When pulling out the control board, hold it with both hands so you do not drop it.

5. Insert the Korea Font ROM card into slot R2 as shown in the illustration to the right.



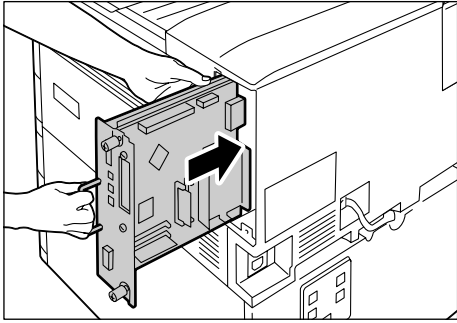
Aligning the notch in the ROM card with the tab in the R2 slot, insert the card straight into the slot. Next, press the ROM card down firmly into the slot.



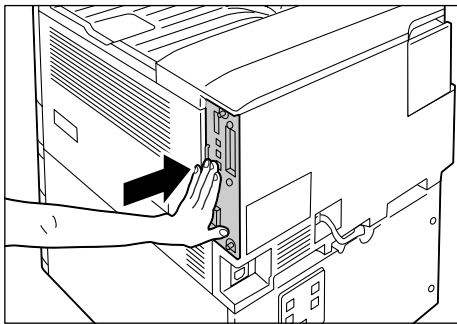
Note

- Make sure the ROM card is inserted securely as far as it can go.
- When the ROM card is installed correctly, the retaining clips on both ends stand up.

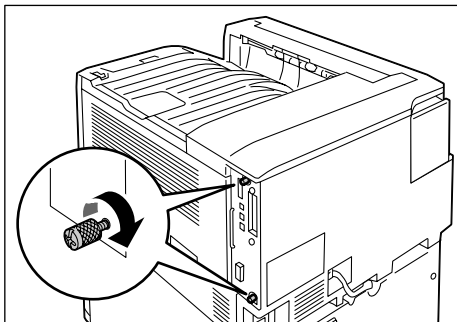
6. Reinsert the control board back into the printer. Holding its handle, slide the control board back into the printer.



Press the control board in as far as it will go.



7. Tighten the two screws to secure the control board in place.



8. Connect the power cord to the printer. Press the <|> side of the printer's power switch to turn on the power.
9. Print the [Font List] and confirm the Korea fonts are included.

Korea Font ROM installation is now complete.

Index

Symbols, Numerics

- <▲> <▼> <◀> <▶> buttons 33
- 2-Sided Print 39

A

- Accessory configuration 36
- Add Covers 39
- Additional Memory 83
- Adjust Image Quality 39

B

- Booklet 39

C

- Canceling a Print Job 35
- CD-ROM Documentation (HTML) 8
- Center tray 30
- CentreWare Internet Services
 - online help 29
 - overview 26
 - settings 28
- Clearing Paper Jams 50
- Condensation formed 54
- Connecting a cable 22
- Consumables 69
- Control panel 30, 33

D

- Delete Job button 33

E

- Energy Saver button/lamp 33
- Energy Saver Modes 35
- Error Codes 67
- Error lamp 33, 55
- Error messages 62

F

- Features 4
- For creating posters, etc. 39
- Forms 39
- Front cover 30

G

- Gateway Address 25
- Ground Fault Interrupter 34

I

- Image Types 39
- Information button 33
- Installing
 - additional memory 85
 - Feature Enhance Kit 88
 - hard disk 86

- Korea Font ROM 94
- Parallel Port 90
- TC/SC Font ROM 92

L

- Life of Consumables 82
- Loading
 - envelopes 45
 - paper 44
 - paper in the bypass tray 44
 - paper into trays 1 through 4 46
- Local printer 20

M

- Main Components and Functions 30
- Menu button 33
- Messages (Alphabetical) 62
- Multiple-Up 39

N

- Network cable 22
- Network printer 20

O

- Obtaining Product Information 83
- OK button 33
- Online button 33
- Operating Environments 20
- Option tab 36
- Options 81

P

- Paper 40
 - supported paper 40
 - unsupported paper 44
- Paper Tray Attributes 36
- Poster 39
- Power switch 30
- Print and Image Quality Problems 57
- Print Driver
 - downloading 83
 - installing 29
 - obtaining the latest print driver version 83
 - online help 38
 - uninstalling 29
- Printing
 - basic procedure 38
 - report/list 36
- Printing procedure 38
- Properties dialog box 39

R

- Ready lamp 33, 55
- Recycling Used Consumables 70

Regular Replacement Parts	82
Replacing	
consumables	69
drum cartridges	73
toner cartridges	71
waste toner bottle	75

S

Sample Set	39
Saved Settings	39
Secure Print	39
Secure Print/Sample Set button	33
Setting	
IP Address (IPv4)	23
IP Address (IPv6)	26
network environment	23
Subnet Mask	25
Supported Operating Environments	20
Switching On/Off the Power	34

T

The printer does not print.	55
The printer is not on.	54
The printer makes odd noise.	54
Transparency Separators	39
Tray Paper Sizes	47
Troubleshooting	50
error code	67
hardware problems	54
messages (alphabetical)	62
paper feed problems	61
print and image quality problems	57
printing problems	55
Types of Manuals	8

U

Unsupported Paper	44
Updating the Printer's Firmware	83
USB cable	22

W

Watermark	39
WSD	21

Control Panel Menu Tree

Basic Control Panel Functions

To move up and down the menus:	<▲> or <▼> button
To select a menu or move to the right:	<▶> or <OK> button
To cancel a selection or return to the left:	<◀> or <Return> button
To confirm an entry:	<OK> button
To exit the menu screen:	<Menu> button
To start the Print Menu:	<Secure Print/Sample Set> button
To view details about i :	<Information> button

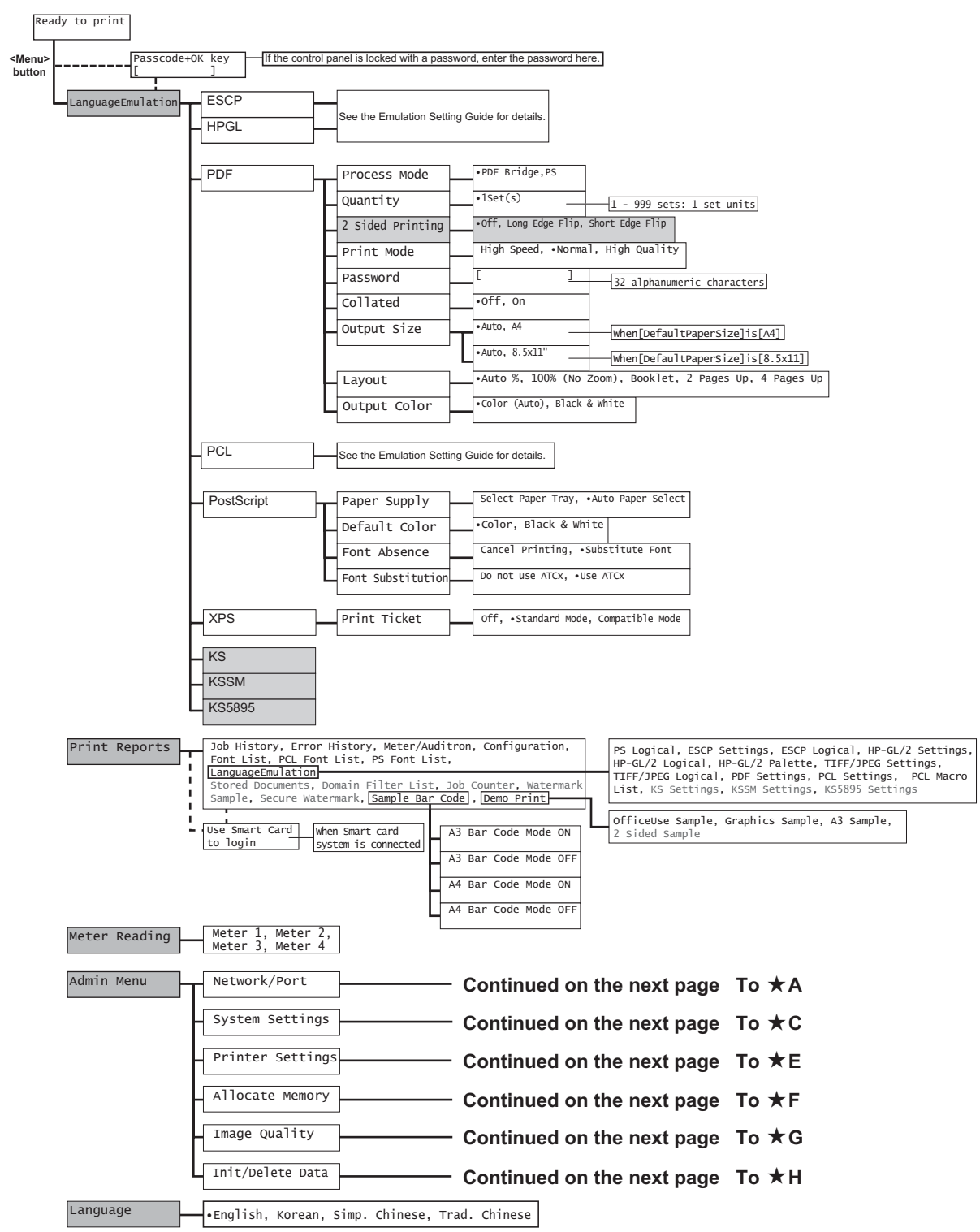
Character/Number Entry Functions

To increase or decrease a value:	<▲> or <▼> button
To move between digits or fields:	<▶> or <◀> button
To reset a value to the default:	<▲> and <▼> buttons

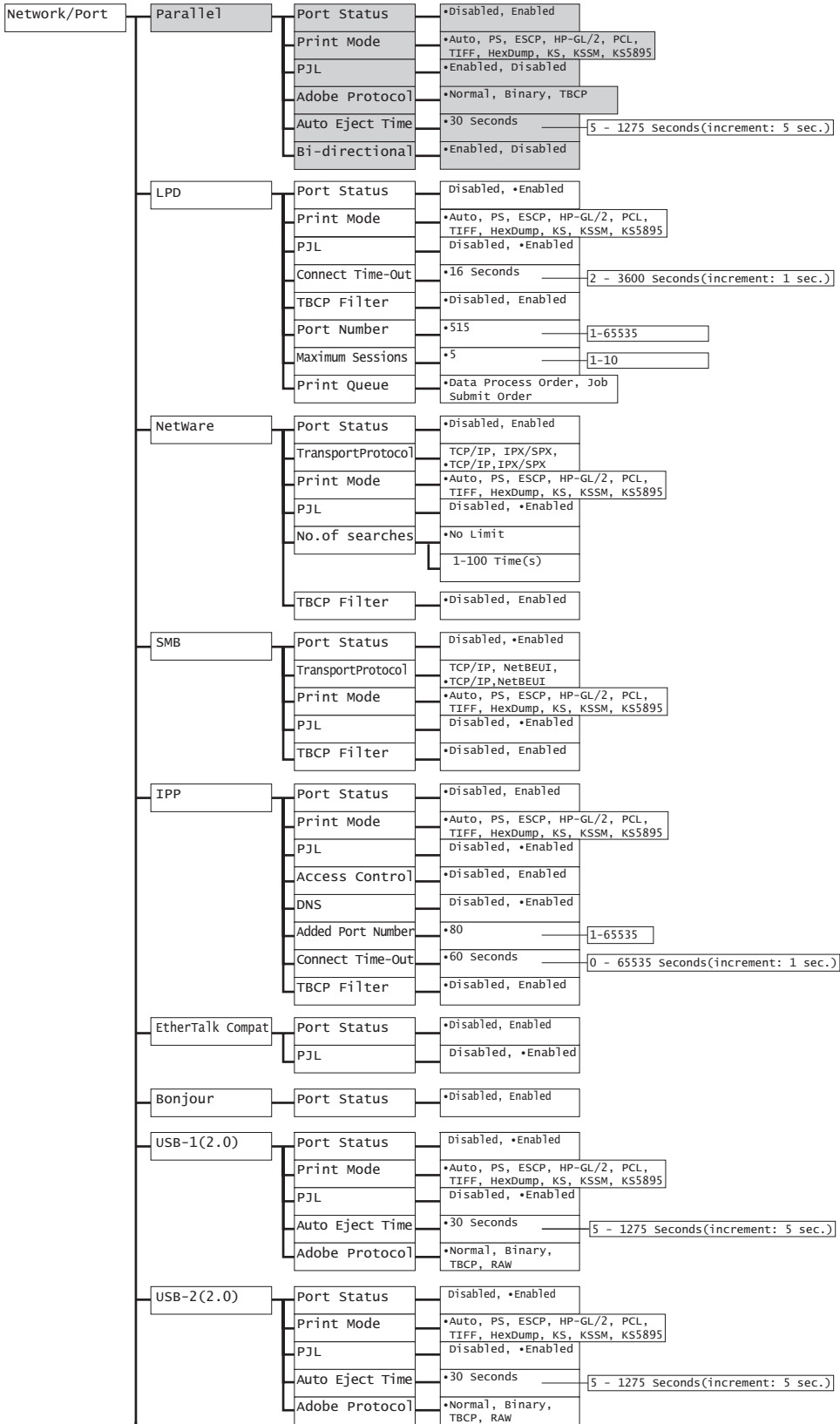
Conventions for the Administrator Menus

- : Main menus
- : Items that appear/do not appear depending on the options installed in the printer.
- : Default

Administrator Menus

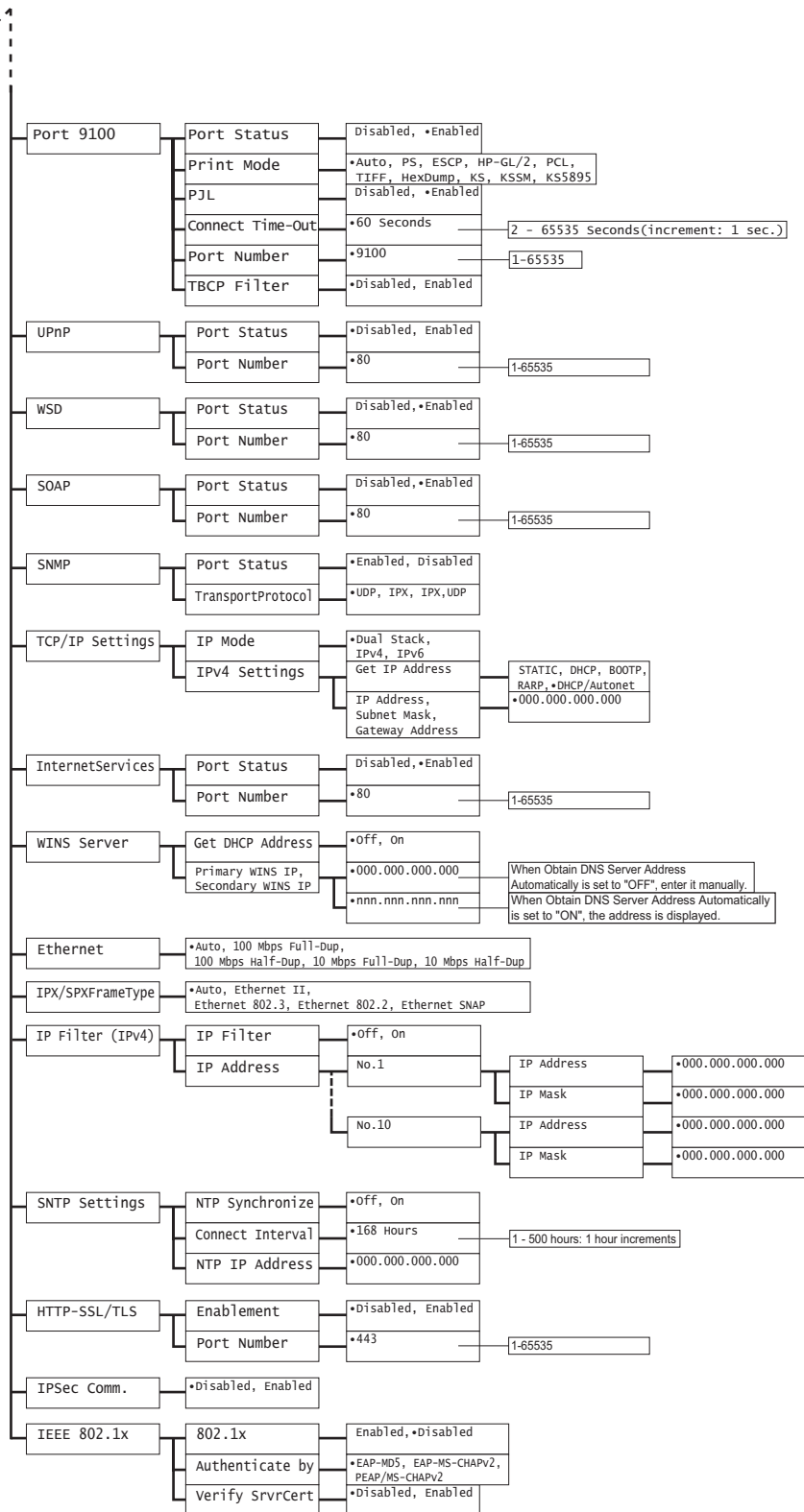


★ A

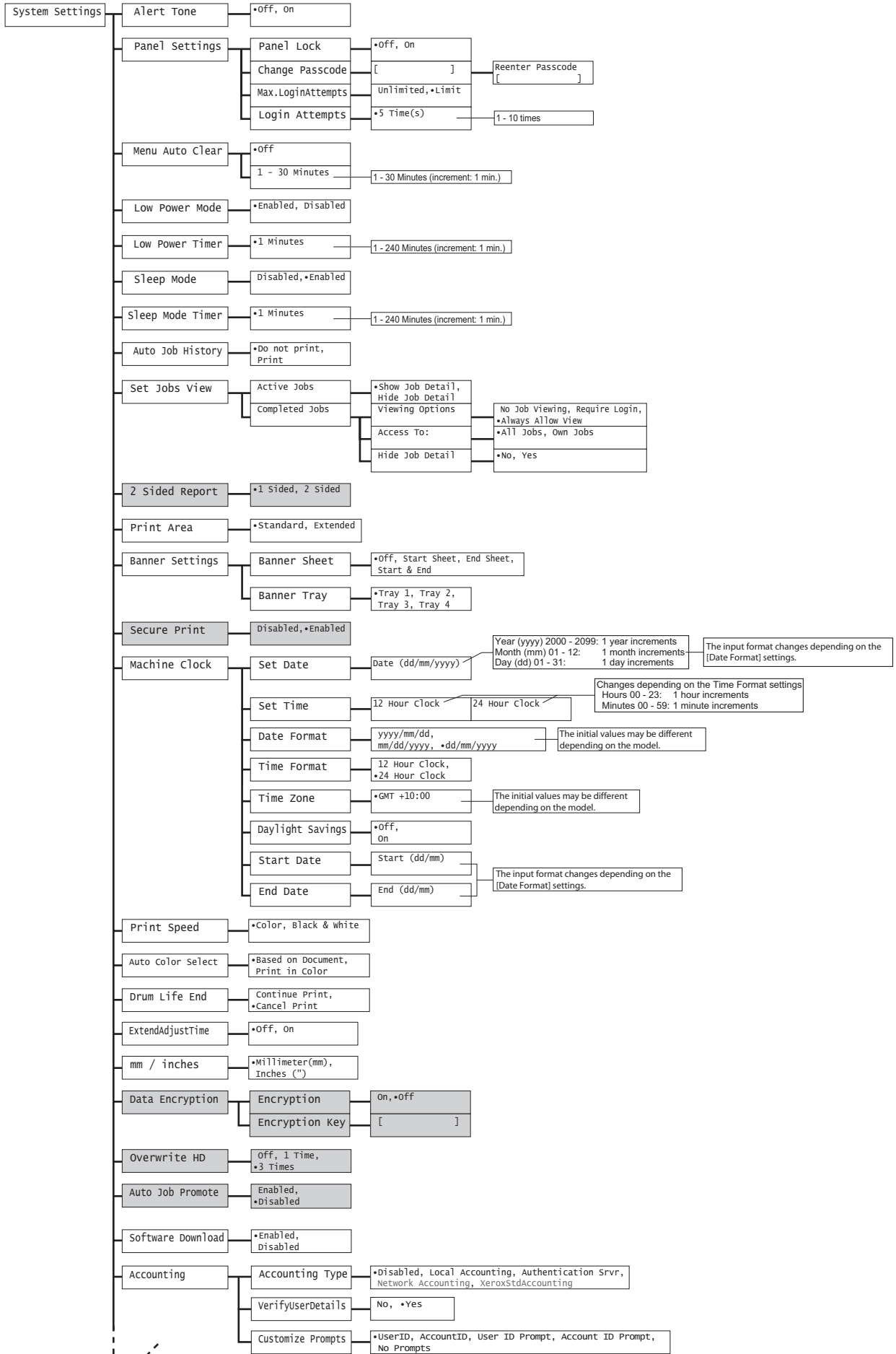


To ★ B (next page)

From ★B (previous page) ([Network / Port] continued)

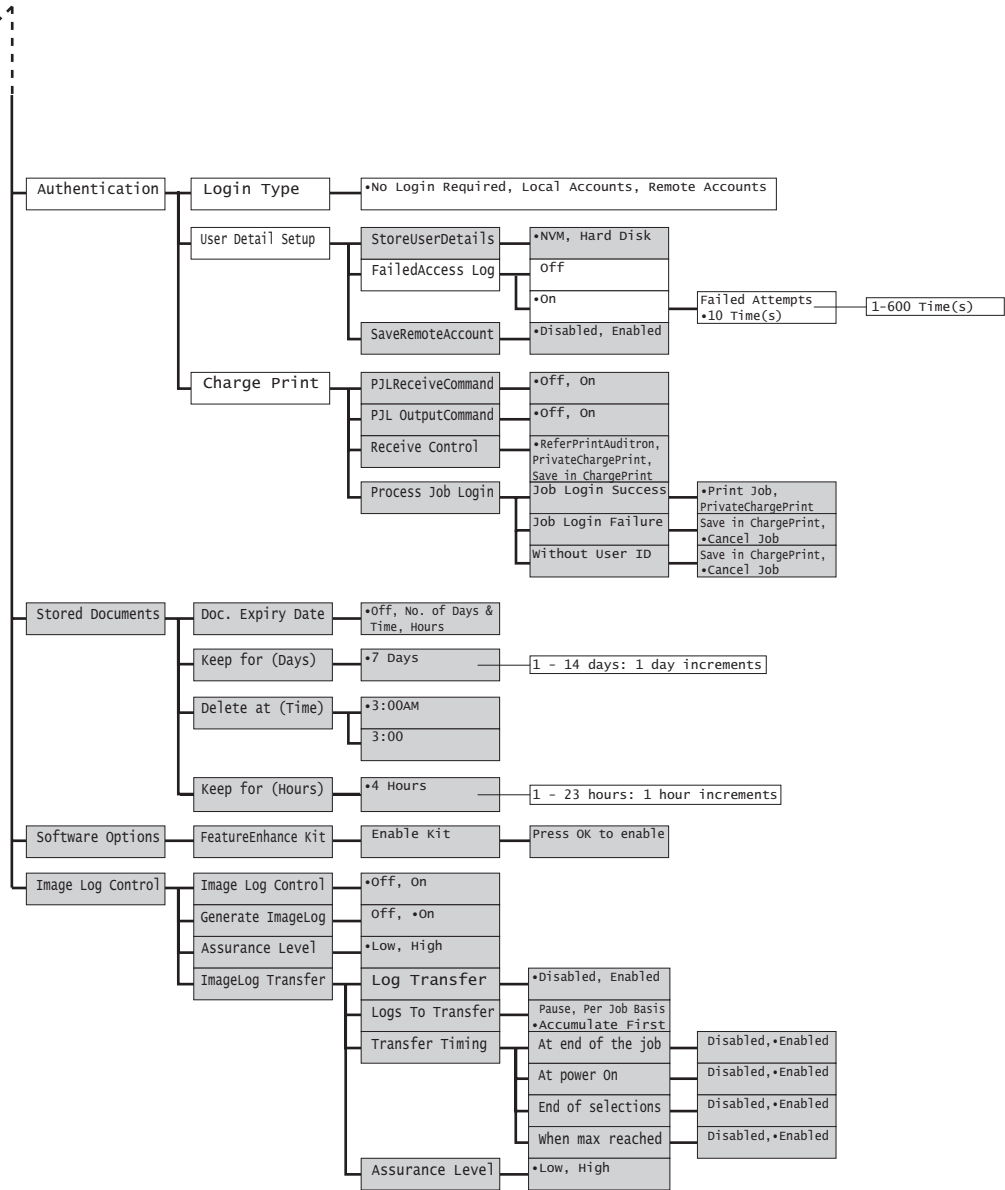


★ C

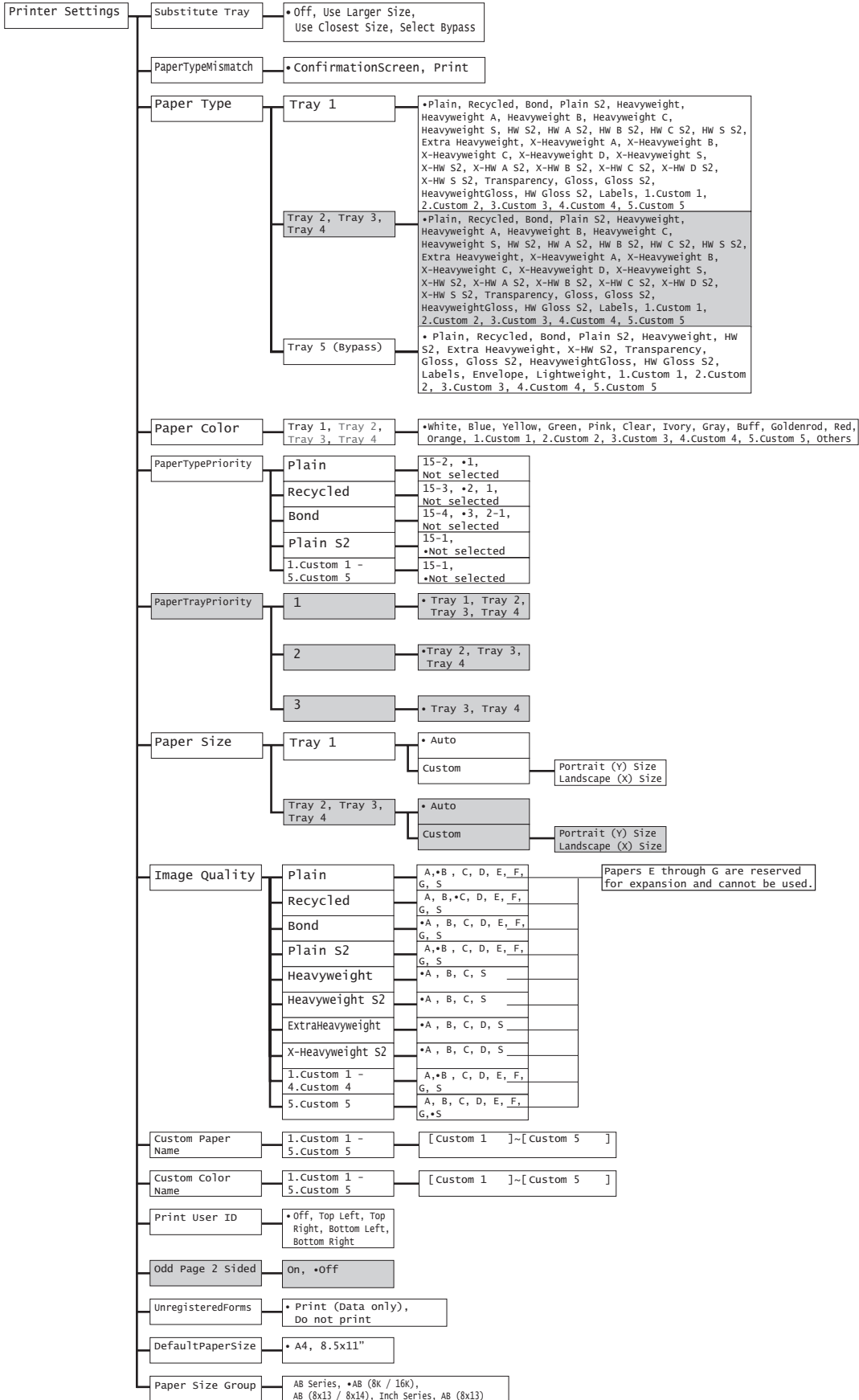


To ★ D (next page)

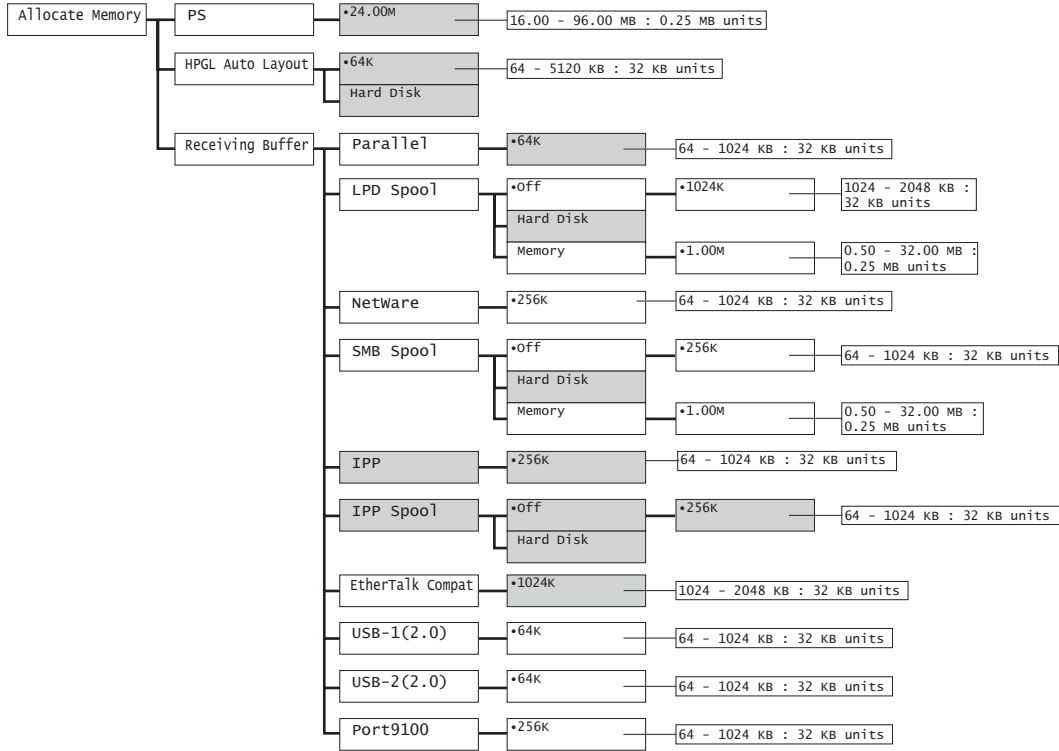
From ★D (previous page) ([System Settings] continued)



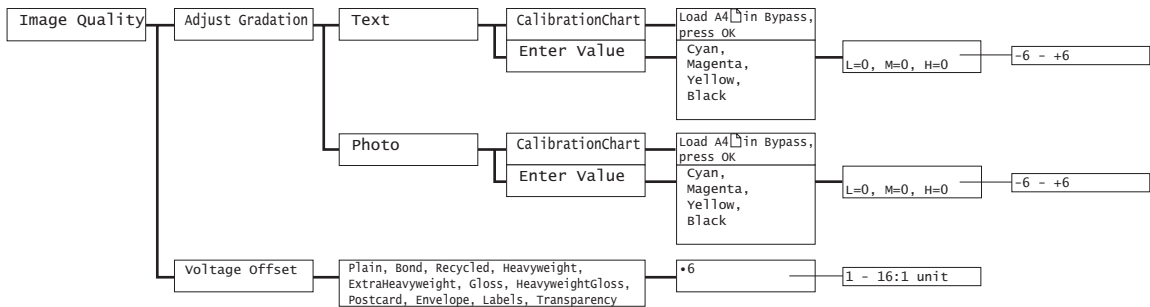
★E



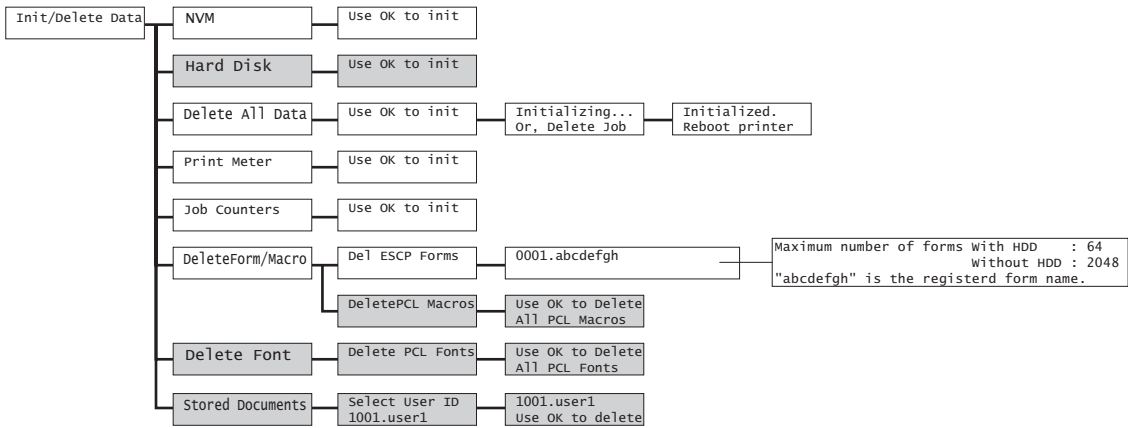
★F



★G

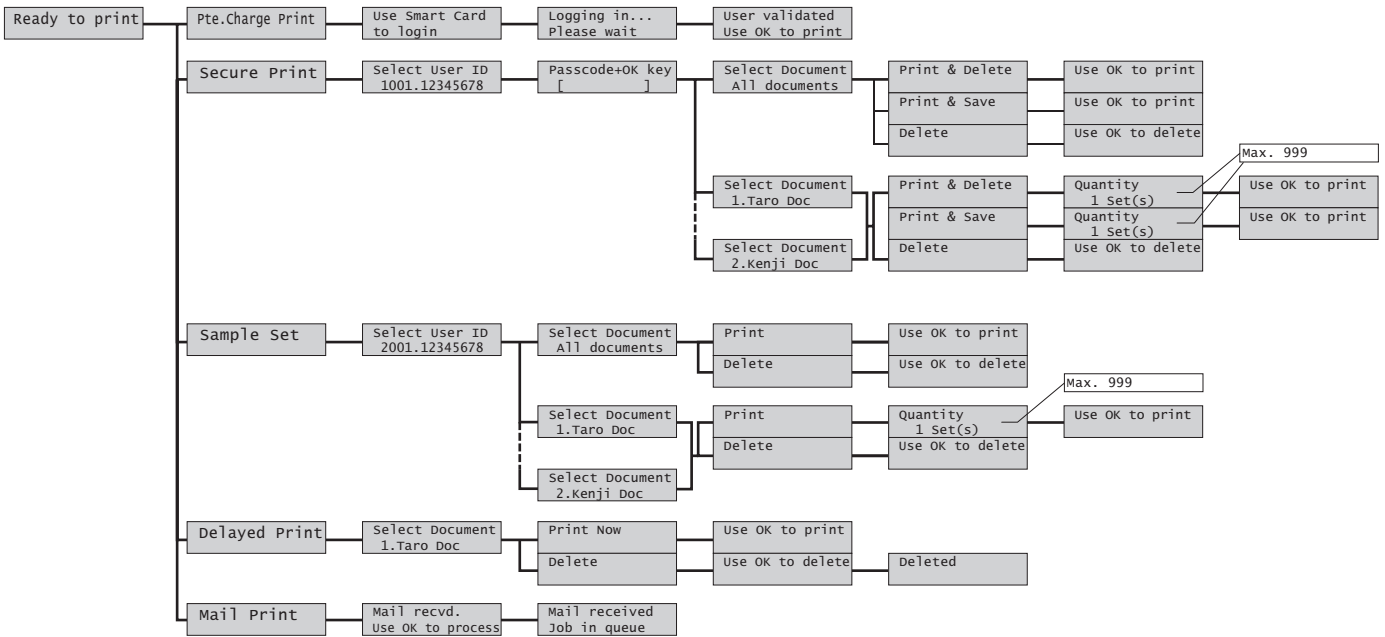


★H



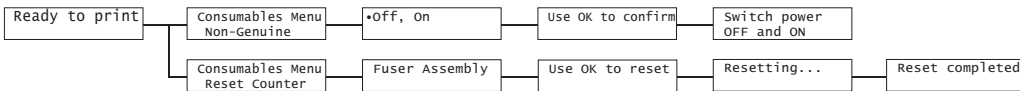
Print Menus

<Secure Print/Sample Set> button



Consumables Menu

<▼> + <OK> button



Free Manuals Download Website

<http://myh66.com>

<http://usermanuals.us>

<http://www.somanuals.com>

<http://www.4manuals.cc>

<http://www.manual-lib.com>

<http://www.404manual.com>

<http://www.luxmanual.com>

<http://aubethermostatmanual.com>

Golf course search by state

<http://golfingnear.com>

Email search by domain

<http://emailbydomain.com>

Auto manuals search

<http://auto.somanuals.com>

TV manuals search

<http://tv.somanuals.com>