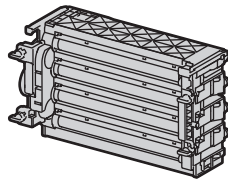


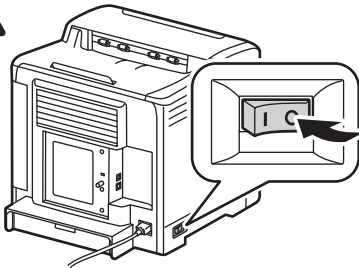
# Xerox® Phaser® 6140/6500 Xerox® WorkCentre® 6505



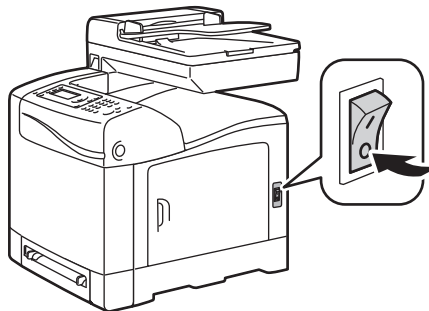
Imaging Unit • Unité imageur • Unità Immagine • Belichtungseinheit • Unidad de imagen • Unidade de imagem  
 Eenheid voor vastleggen beeld • Bildenhet • Bildebehandlingsenhet • Trykbilledenhet • Kuvanmuodostusyksikkö  
 Копи-картридж • Zobrazovací jednotka • Moduł drukujący • Leképezőegység • Görüntüleme Ünitesi • Μονάδα εκτύπωσης

▶ See the instructional video at  
[www.xerox.com/office/6140docs](http://www.xerox.com/office/6140docs)  
[www.xerox.com/office/6500docs](http://www.xerox.com/office/6500docs)  
[www.xerox.com/office/WC6505docs](http://www.xerox.com/office/WC6505docs)

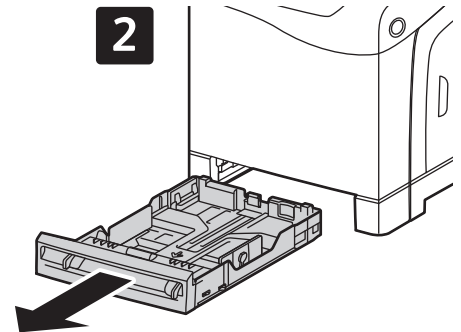
## 1 Phaser® 6140/6500



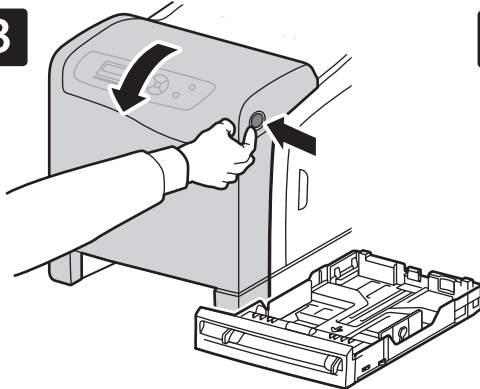
## WorkCentre® 6505



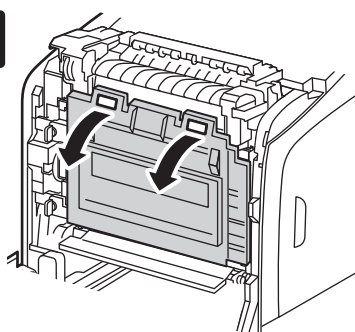
## 2



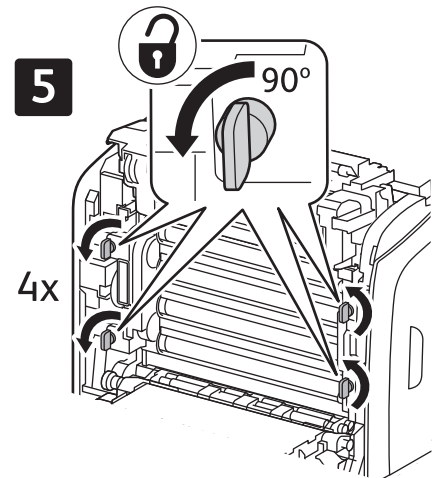
## 3



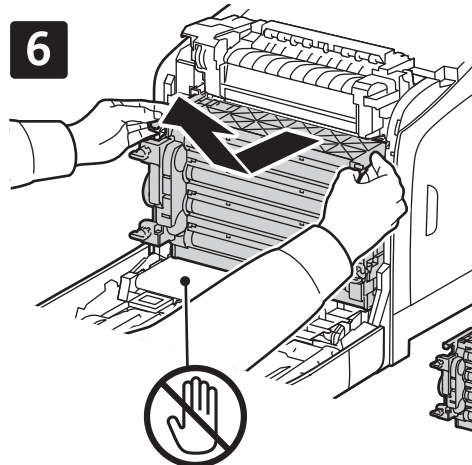
## 4



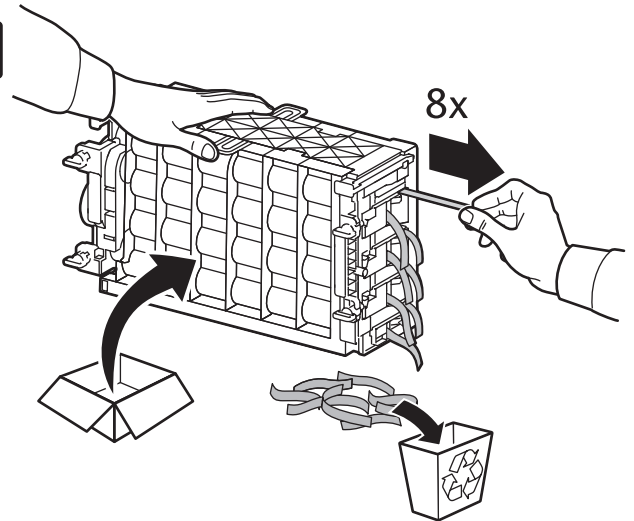
## 5



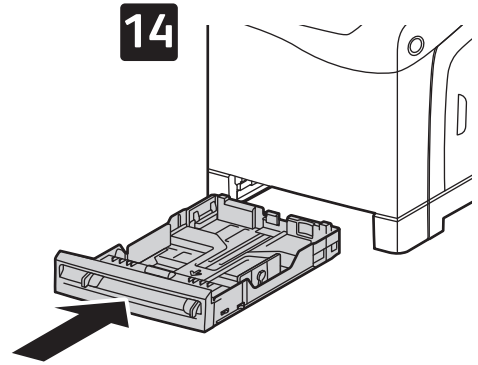
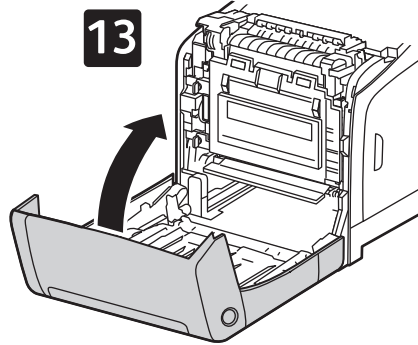
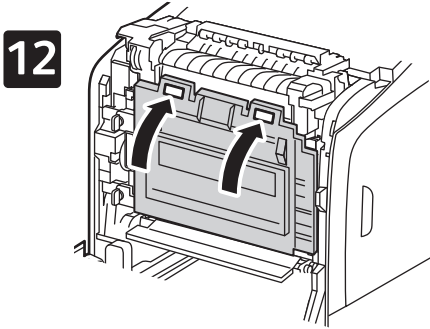
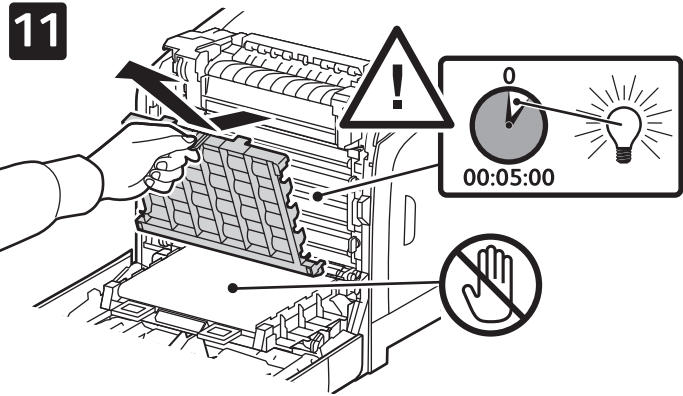
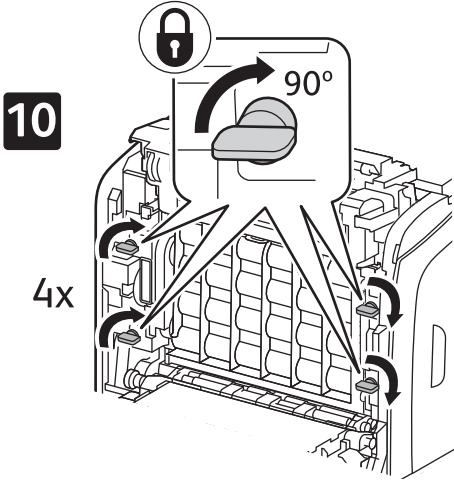
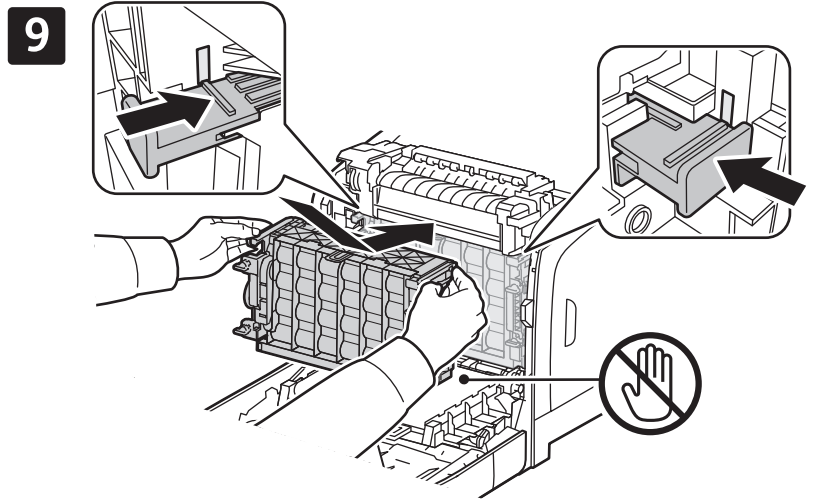
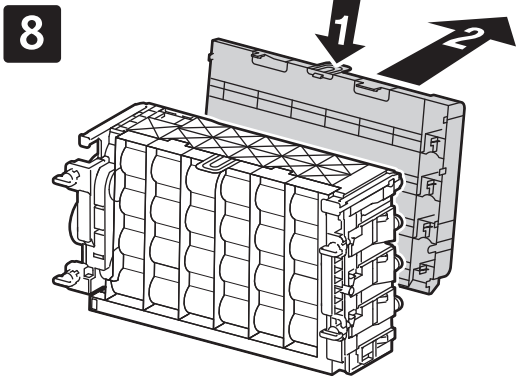
## 6



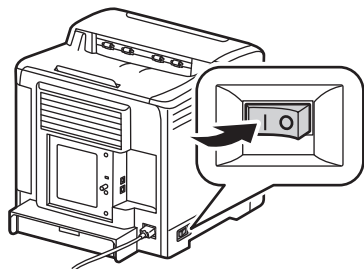
## 7



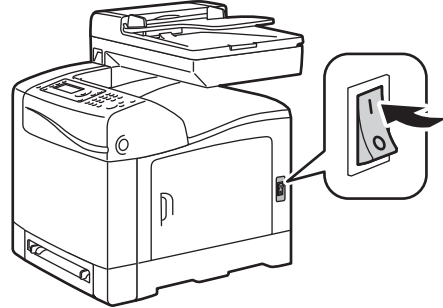
[www.xerox.com/office/6140support](http://www.xerox.com/office/6140support)  
[www.xerox.com/office/6500support](http://www.xerox.com/office/6500support)  
[www.xerox.com/office/WC6505support](http://www.xerox.com/office/WC6505support)



**15** Phaser® 6140/6500



WorkCentre® 6505



## Free Manuals Download Website

<http://myh66.com>

<http://usermanuals.us>

<http://www.somanuals.com>

<http://www.4manuals.cc>

<http://www.manual-lib.com>

<http://www.404manual.com>

<http://www.luxmanual.com>

<http://aubethermostatmanual.com>

Golf course search by state

<http://golfingnear.com>

Email search by domain

<http://emailbydomain.com>

Auto manuals search

<http://auto.somanuals.com>

TV manuals search

<http://tv.somanuals.com>