



User Guide

Guide d'utilisation

Guida dell'utente

Benutzerhandbuch

Guía del usuario

Guia do Usuário

Gebruikershandleiding

Användarhandbok

Betjeningsvejledning

Руководство пользователя

Εγχειρίδιο χρήστη

Copyright © 2008 Xerox Corporation. All Rights Reserved. Unpublished rights reserved under the copyright laws of the United States. Contents of this publication may not be reproduced in any form without permission of Xerox Corporation.

Copyright protection claimed includes all forms of matters of copyrightable materials and information now allowed by statutory or judicial law or hereinafter granted, including without limitation, material generated from the software programs which are displayed on the screen such as styles, templates, icons, screen displays, looks, etc.

XEROX[®], CentreDirect[®], CentreWare[®], FinePoint[™], Phaser[®], PhaserSMART[®], PrintingScout[®], and Walk-Up[®] are trademarks of Xerox Corporation in the United States and/or other countries.

Adobe Reader[®], Adobe Type Manager[®], ATM[™], Flash[®], Macromedia[®], Photoshop[®], and PostScript[®] are trademarks of Adobe Systems Incorporated in the United States and/or other countries.

Apple[®], AppleTalk[®], Bonjour[®], ColorSync[®], EtherTalk[®], LaserWriter[®], LocalTalk[®], Macintosh[®], Mac OS[®], and TrueType[®] are trademarks of Apple Computer, Inc. in the United States and/or other countries.

HP-GL[®], HP-UX[®], and PCL[®] are trademarks of Hewlett-Packard Corporation in the United States and/or other countries.

IBM[®] and AIX[®] are trademarks of International Business Machines Corporation in the United States and/or other countries.

Microsoft[®], Vista[™], Windows[®], and Windows Server[™] are trademarks of Microsoft Corporation in the United States and/or other countries.

Novell[®], NetWare[®], NDPS[®], NDS[®], Novell Directory Services[®], IPX[™], and Novell Distributed Print Services[™] are trademarks of Novell, Incorporated in the United States and/or other countries.

SunSM, Sun Microsystems[™], and Solaris[™] are trademarks of Sun Microsystems, Incorporated in the United States and/or other countries.

SWOP[®] is a trademark of SWOP, Inc.

UNIX[®] is a trademark in the United States and other countries, licensed exclusively through X/Open Company Limited.

As an ENERGY STAR[®] partner, Xerox Corporation has determined that this product with an S configuration meets the ENERGY STAR guidelines for energy efficiency. The ENERGY STAR name and logo are registered U.S. marks.



PANTONE[®] Colors generated may not match PANTONE-identified standards. Consult current PANTONE Publications for accurate color. PANTONE[®] and other Pantone, Inc. trademarks are the property of Pantone, Inc. © Pantone, Inc., 2000.

Contents

1 Printer Features

Parts of the Printer	1-2
Front-Right View	1-2
Right Side View	1-3
Rear View	1-3
Printer Configurations	1-4
Standard Features	1-4
Available Configurations	1-5
Options and Upgrades	1-5
Control Panel	1-6
Control Panel Features	1-6
Control Panel Layout	1-7
Menu Map	1-7
Information Pages	1-8
Sample Pages	1-8
More Information	1-10
Resources	1-10
Xerox Support Centre	1-12

2 Network Basics

Overview of Network Setup and Configuration	2-2
Choosing a Connection Method	2-3
Connecting via Ethernet (Recommended)	2-3
Connecting via USB	2-4
Configuring the Network Address	2-5
TCP/IP and IP Addresses	2-5
Automatically Setting the Printer's IP Address	2-6
Dynamic Methods of Setting the Printer's IP Address	2-6
Manually Setting the Printer's IP Address	2-7
Installing the Printer Drivers	2-9
Available Drivers	2-9
Windows 2000 or Later	2-10
Macintosh OS X, Version 10.3 and Higher	2-11

IPv6	2-14
Enabling IPv6	2-14
Setting the Interface ID	2-15
Automatic Address Assignment	2-16
DHCPv6	2-17
Manual Address Assignment	2-18
Address Precedence	2-19

3 Printing Basics

Overview of Basic Steps	3-2
Supported Paper and Media	3-3
Paper Usage Guidelines	3-4
Paper That Can Damage Your Printer	3-4
Paper Storage Guidelines	3-5
Supported Paper Sizes and Weights	3-5
Loading Paper	3-9
Loading Paper in Tray 1	3-9
Using Manual Feed	3-16
Loading Paper in Tray 2, 3, or 4	3-17
Selecting Printing Options	3-22
Selecting Printing Preferences (Windows)	3-22
Selecting Options for an Individual Job (Windows)	3-23
Selecting Options for an Individual Job (Macintosh)	3-25
Restrictions on Printing	3-26
Printing on Both Sides of the Paper	3-27
Automatic 2-Sided Printing	3-27
Manual 2-Sided Printing	3-29
Printing on Specialty Media	3-31
Printing Transparencies	3-31
Printing Envelopes	3-38
Printing Labels	3-45
Printing Glossy Paper	3-51
Printing Custom Size Paper	3-57
Creating Custom Paper Types	3-61

4 Print Quality

Controlling the Quality of Your Prints	4-2
Selecting a Print-Quality Mode	4-2
Adjusting Color	4-4

Solving Print-Quality Problems	4-6
Smudges or Smears	4-7
Random Light Stripes	4-8
Predominate Light Stripes	4-9
Transparency Images Are Too Light or Too Dark	4-10
Colors Are Wrong	4-10
PANTONE Colors Do Not Match	4-11

5 Maintenance

Maintenance and Cleaning	5-2
Routine Maintenance	5-2
Cleaning the Paper Release Blade	5-10
Cleaning the Maintenance Kit Wiper Blade	5-12
Cleaning the Outside of the Printer	5-14
Ordering Supplies	5-15
Consumables	5-15
Routine Maintenance Items	5-15
When to Order Supplies	5-16
Recycling Supplies	5-16
Moving and Repacking the Printer	5-17
Precautions for Moving the Printer	5-17
Moving the Printer Within the Office	5-17
Preparing the Printer for Shipment	5-19

6 Troubleshooting

Clearing Paper Jams	6-2
Jam at the Exit	6-2
Jam at the Front Cover	6-7
Jam at the Trays	6-12
Getting Help	6-17
Control Panel Messages	6-17
PrintingScout Alerts	6-18
PhaserSMART Technical Support	6-18
Online Support Assistant	6-18
Web Links	6-19

A User Safety

Index

Printer Features

1

This chapter includes:

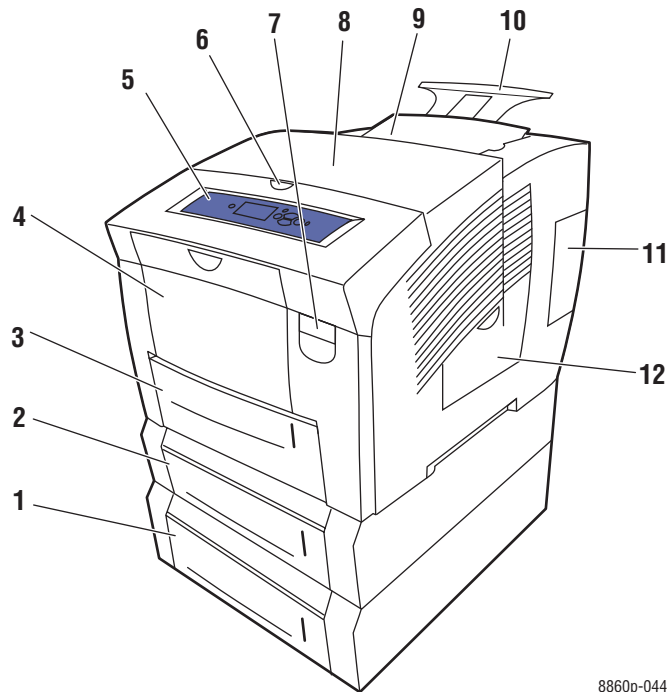
- [Parts of the Printer](#) on page 1-2
- [Printer Configurations](#) on page 1-4
- [Control Panel](#) on page 1-6
- [More Information](#) on page 1-10

Parts of the Printer

This section includes:

- [Front-Right View](#) on page 1-2
- [Right Side View](#) on page 1-3
- [Rear View](#) on page 1-3

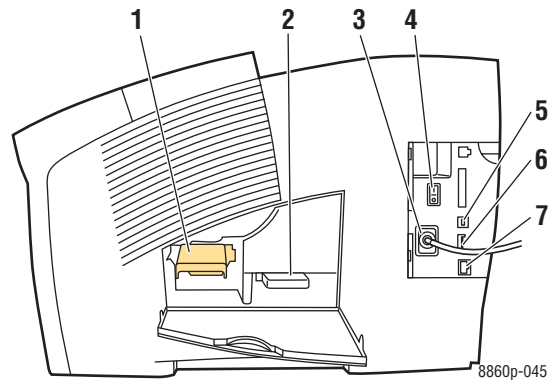
Front-Right View



8860p-044

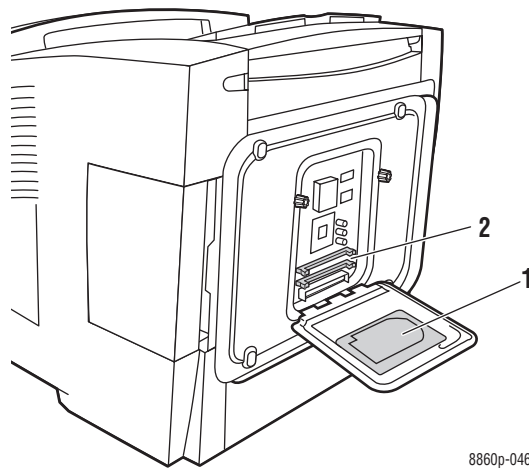
1. Optional 525-Sheet Feeder (Tray 4)
2. Optional 525-Sheet Feeder (Tray 3)
3. Standard 525-Sheet Tray 2
4. 100-Sheet Tray 1
5. Control panel
6. Exit cover release
7. Front cover release
8. Exit cover
9. Ink loader/Top cover
10. Legal/A4 output tray extension
11. Interface cover
12. Side door

Right Side View



1. Maintenance kit
2. Waste tray
3. Power cord connection
4. Power switch
5. USB connection
6. Configuration card
7. Ethernet 10/100 Base-Tx connection

Rear View



1. Optional hard drive
2. Two RAM slots

Printer Configurations

This section includes:

- [Standard Features](#) on page 1-4
- [Available Configurations](#) on page 1-5
- [Options and Upgrades](#) on page 1-5

Standard Features

- Maximum print speed (pages per minute) for PostScript Print-Quality Modes:
 - Fast: 30 ppm
 - Standard: 24 ppm
 - Enhanced: 16 ppm
 - High-Resolution/Photo: 10 ppm
- Maximum print speed for PCL Print-Quality Modes:
 - 300 x 600 dpi: 16 ppm
 - 600 x 600 dpi: 8 ppm
- Fonts: PostScript and PCL
- Tray 1 and Tray 2: All Phaser 8560/8860 printers
- Connection: USB, Ethernet 10/100 Base-Tx

Available Configurations

The following tables show the available configurations for your printer.

Phaser 8560 Printer

	Printer Configurations			
	8560N	8560DN	8560DT	8560DX
Memory (MB)	256	256	512	512
Hard Drive	No*	No*	No*	Yes
Automatic 2-Sided Printing	No	Yes	Yes	Yes
525-Sheet Feeder (Tray 3)	No*	No*	Yes	Yes
525-Sheet Feeder (Tray 4)	No*	No*	No*	Yes

*This option can be purchased separately for this configuration.

Phaser 8860 Printer

	Printer Configuration
	8860
Memory (MB)	256
Productivity Kit (with Hard Drive)	No*
Automatic 2-Sided Printing	Yes
525-Sheet Feeder (Tray 3)	No*
525-Sheet Feeder (Tray 4)	No*

*This option can be purchased separately for this configuration.

Options and Upgrades

You can order additional trays, memory, and a hard drive if these items are not standard on your printer. Print the Configuration page to see which options are installed. To print the Configuration page, see [Information Pages](#) on page 1-8.

For ordering options and upgrades, contact your local reseller or go to the Xerox Supplies website for your printer:

- www.xerox.com/office/8560Psupplies (Phaser 8560 printer)
- www.xerox.com/office/8860supplies (Phaser 8860 printer)

Control Panel

This section includes:

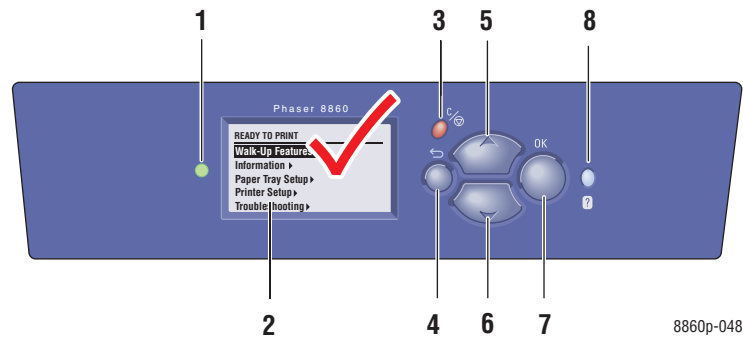
- [Control Panel Features](#) on page 1-6
- [Control Panel Layout](#) on page 1-7
- [Menu Map](#) on page 1-7
- [Information Pages](#) on page 1-8
- [Sample Pages](#) on page 1-8

Control Panel Features

The control panel:

- Displays the printer's operating status (for example, **Printing, Ready to Print**), printer errors, and warnings.
- Prompts you to load paper, order and replace supplies, and clear jams.
- Enables you to access tools and information pages to help resolve problems.
- Enables you to change printer and network settings.

Control Panel Layout



- | | |
|--|--|
| <ol style="list-style-type: none"> 1. Status Indicator LED:
 Green: Printer is ready to print.
 Yellow: Warning condition, printer continues to print.
 Red: Startup sequence or error condition.
 Blinking: Printer is busy or warming up. 2. Graphic display indicates status messages and menus. 3. Cancel button
 Cancels the current print job. | <ol style="list-style-type: none"> 4. Back button
 Returns to the previous menu item. 5. Up Arrow button
 Scrolls upward through the menus. 6. Down Arrow button
 Scrolls downward through the menus. 7. OK button
 Accepts the setting selected. 8. Help (?) button
 Displays a help message with information about the printer, such as printer status, error messages, and maintenance information. |
|--|--|

Menu Map

The Menu Map helps you navigate the control panel menus. To print the Menu Map:

1. On the control panel, select **Information**, and then press the **OK** button.
2. Select **Menu Map**, and then press the **OK** button to print.

Note: Print the Menu Map to see other information pages available for printing.

Information Pages

Your printer comes with a set of information pages to help you obtain the best results from your printer. Access these pages from the control panel. Print the Menu Map to see where these information pages are located in the control panel menu structure.



Note: This print icon appears before the titles of information pages that can be printed. When the information page is highlighted on the control panel, press the **OK** button to print that page.

For example, to print the Configuration page, which displays current information about your printer, do the following:

1. On the control panel, select **Information**, and then press the **OK** button.
2. Select **Information Pages**, and then press the **OK** button.
3. Select **Configuration Page**, and then press the **OK** button to print.

Note: You can also print information pages from CentreWare Internet Services (IS).

Sample Pages

Your printer comes with a set of sample pages that demonstrate different printer functions.

To print sample pages:

1. On the control panel, select **Information**, and then press the **OK** button.
2. Select **Sample Pages**, and then press the **OK** button.
3. Select the desired sample page, and then press the **OK** button to print.

Color Sampler Pages

The color sampler pages are designed to help you select colors to use in your print jobs. Each sampler page lists either the percentages of cyan, magenta, yellow, and black that are used, or the amounts (from 0 to 255) of red, green, and blue that are used.

Note: Before you print the sampler pages, select the appropriate default print-quality mode and color correction from the Printer Setup menu on the control panel.

To print the color sampler pages:

1. On the control panel, select **Information**, and then press the **OK** button.
2. Select **Sample Pages**, and then press the **OK** button.
3. Select either **PANTONE Color Sampler Pages**, **CMYK Sampler Pages**, or **RGB Sampler Pages**, and then press the **OK** button to print.

See also:

Advanced Features Guide at www.xerox.com/office/8560Psupport or www.xerox.com/office/8860support

More Information

This section includes:

- [Resources](#) on page 1-10
- [Xerox Support Centre](#) on page 1-12

Obtain information regarding your printer and its capabilities from the following sources.

Resources

Phaser 8560 printer:

Information	Source
<i>Installation Guide*</i>	Packaged with printer
<i>Quick Use Guide*</i>	Packaged with printer
<i>User Guide (PDF)</i>	www.xerox.com/office/8560Psupport
<i>Advanced Features Guide (PDF)</i>	www.xerox.com/office/8560Psupport
Quick Start Tutorials	www.xerox.com/office/8560Psupport
Video Tutorials	www.xerox.com/office/8560Psupport
<i>Recommended Media List</i>	Recommended Media List (United States) Recommended Media List (Europe)
Printer Management Tools	www.xerox.com/office/8560Pdrivers
Online Support Assistant	www.xerox.com/office/8560Psupport
PhaserSMART	www.phaserSMART.com
Technical Support	www.xerox.com/office/8560Psupport
Information about menu selection or error messages on control panel	Control panel Help (?) button
Information pages	Control panel menu

* Also available on the Support website.

Phaser 8860 printer:

Information	Source
<i>Installation Guide*</i>	Packaged with printer
<i>Quick Use Guide*</i>	Packaged with printer
<i>User Guide (PDF)</i>	www.xerox.com/office/8860support
<i>Advanced Features Guide (PDF)</i>	www.xerox.com/office/8860support
Quick Start Tutorials	www.xerox.com/office/8860support
Video Tutorials	www.xerox.com/office/8860support
<i>Recommended Media List</i>	Recommended Media List (United States) Recommended Media List (Europe)
Printer Management Tools	www.xerox.com/office/8860drivers
Online Support Assistant	www.xerox.com/office/8860support
PhaserSMART	www.phaserSMART.com
Technical Support	www.xerox.com/office/8860support
Information about menu selection or error messages on control panel	Control panel Help (?) button
Information pages	Control panel menu

* Also available on the Support website.

Xerox Support Centre

The **Xerox Support Centre** is a utility that may be installed during printer driver installation. It is available for printers with Windows 2000 and later or Mac OS X, version 10.3 and higher.

The **Xerox Support Centre** icon appears on the desktop for Windows printers or is placed in the Mac OS X dock. It provides a central location for accessing the following information:

- User manuals and video tutorials
- Solutions to troubleshooting problems
- Printer and supplies status
- Supplies ordering and recycling
- Answers to frequently asked questions
- Default printer driver settings (Windows only)

Note: You can install the Xerox Support Centre utility from the Xerox Drivers and Downloads website:

- www.xerox.com/office/8560Pdrivers (Phaser 8560 printer)
- www.xerox.com/office/8860drivers (Phaser 8860 printer)

To start the Xerox Support Centre utility:

1. Select one of the following options:
 - **Windows:** Double-click the **Xerox Support Centre** icon on your desktop.
 - **Macintosh:** Click the **Xerox Support Centre** icon in the dock.
2. Select your printer from the **Select Printer** drop-down list.



Xerox Support Centre

See also:

Using the Xerox Support Centre tutorial at www.xerox.com/office/8560Psupport or www.xerox.com/office/8860support

Note: If you have a USB connection, some of the status information is not available. You must have an Internet connection to view manuals and videos on the website.

Network Basics

2

This chapter includes:

- [Overview of Network Setup and Configuration](#) on page 2-2
- [Choosing a Connection Method](#) on page 2-3
- [Configuring the Network Address](#) on page 2-5
- [Installing the Printer Drivers](#) on page 2-9
- [IPv6](#) on page 2-14

This chapter provides basic information about setting up and connecting to your printer.

See also:

Advanced Features Guide at www.xerox.com/office/8560Psupport or www.xerox.com/office/8860support

Overview of Network Setup and Configuration

To set up and configure the network:

1. Connect the printer to the network using the recommended hardware and cables.
2. Turn on the printer and the computer.
3. Print the Configuration page and keep it for referencing network settings.
4. Configure the printer's TCP/IP address, which is required to identify the printer on the network.
 - Windows operating systems: Run the Installer on the *Software and Documentation CD-ROM* to automatically set the printer's IP address if the printer is connected to an established TCP/IP network. You can also manually set the printer's IP address on the control panel.
 - Macintosh systems: Manually set the printer's TCP/IP address on the control panel.
5. Install the driver software on the computer from the *Software and Documentation CD-ROM*. For information on driver installation, see the section in this chapter for the specific operating system you are using.

Note: If the *Software and Documentation CD-ROM* is not available, you can download the latest driver from the Xerox Drivers and Downloads website:

- www.xerox.com/office/8560Pdrivers (Phaser 8560 printer)
- www.xerox.com/office/8860drivers (Phaser 8860 printer)

See also:

Advanced Features Guide at www.xerox.com/office/8560Psupport or www.xerox.com/office/8860support

Choosing a Connection Method

Connect the printer via Ethernet or USB. A USB connection is a direct connection from the printer to your computer and is not used for networking. An Ethernet connection is used for networking. Hardware and cabling requirements vary for the different connection methods. Cabling and hardware are generally not included with your printer and must be purchased separately.

This section includes:

- [Connecting via Ethernet \(Recommended\)](#) on page 2-3
- [Connecting via USB](#) on page 2-4

Connecting via Ethernet (Recommended)

Ethernet can be used for one or more computers. It supports many printers and systems on an Ethernet network. An Ethernet connection is recommended because it is faster than a USB connection. It also allows you direct access to CentreWare Internet Services (IS). The CentreWare IS web interface enables you to manage, configure, and monitor networked printers from your desktop.

Network Connection

Depending on your particular setup, the following hardware and cabling is required for Ethernet.

- If you are connecting to one computer, an Ethernet RJ-45 crossover cable is required.
- If you are connecting to one or more computers with an Ethernet hub, cable, or DSL router, two or more twisted-pair (category 5/RJ-45) cables are required. (One cable for each device.)
- If you are connecting to one or more computers with a hub, connect the computer to the hub with one cable, and then connect the printer to the hub with the second cable. Connect to any port on the hub except the uplink port.

See also:

[Configuring the Network Address](#) on page 2-5

[Installing the Printer Drivers](#) on page 2-9

Connecting via USB

If you are connecting to one computer, a USB connection offers fast data speeds. However, a USB connection is not as fast as an Ethernet connection. To use USB, PC users must have Microsoft Windows 2000, Windows XP, Windows Server 2003, or newer operating system. Macintosh users must use Mac OS X, version 10.3 and higher.

USB Connection

A USB connection requires a standard A/B USB cable. This cable is not included with your printer and must be purchased separately. Verify that you are using the correct USB (1.x or 2.0) cable for your connection.

- 1.** Connect one end of the USB cable to the printer and turn it on.
- 2.** Connect the other end of the USB cable to the computer.

See also:

[Installing the Printer Drivers](#) on page 2-9

Configuring the Network Address

This section includes:

- [TCP/IP and IP Addresses](#) on page 2-5
- [Automatically Setting the Printer's IP Address](#) on page 2-6
- [Dynamic Methods of Setting the Printer's IP Address](#) on page 2-6
- [Manually Setting the Printer's IP Address](#) on page 2-7

TCP/IP and IP Addresses

If your computer is on a large network, contact your network administrator for the appropriate TCP/IP addresses and additional configuration information.

If you are creating your own small Local Area Network or connecting the printer directly to your computer using Ethernet, follow the procedure for automatically setting the printer's Internet Protocol (IP) address.

PCs and printers primarily use TCP/IP protocols to communicate over an Ethernet network. With TCP/IP protocols, each printer and computer must have a unique IP address. It is important that the addresses are similar, but not the same; only the last digit needs to be different. For example, your printer can have the address 192.168.1.2 while your computer has the address 192.168.1.3. Another device can have the address 192.168.1.4.

Generally, Macintosh computers use either TCP/IP or the EtherTalk protocol to talk to a networked printer. For Mac OS X systems, TCP/IP is preferred. Unlike TCP/IP, however, EtherTalk does not require printers or computers to have IP addresses.

Many networks have a Dynamic Host Configuration Protocol (DHCP) server. A DHCP server automatically programs an IP address into every PC and printer on the network that is configured to use DHCP. A DHCP server is built into most cable and DSL routers. If you use a cable or DSL router, see your router's documentation for information on IP addressing.

See also:

Online Support Assistant at www.xerox.com/office/8560Psupport or www.xerox.com/office/8860support

Automatically Setting the Printer's IP Address

If the printer is connected to a small established TCP/IP network without a DHCP server, use the installer on the *Software and Documentation CD-ROM* to detect or assign an IP address to your printer. For further instructions, insert the *Software and Documentation CD-ROM* into your computer's CD-ROM drive. After the Installer launches, follow the prompts for installation.

Note: For the automatic Installer to function, the printer must be connected to an established TCP/IP network.

Dynamic Methods of Setting the Printer's IP Address

There are two protocols available for dynamically setting the printer's IP address:

- DHCP (enabled by default on all printers)
- AutoIP

You can turn on/off both protocols using the control panel, or use CentreWare IS to turn on/off DHCP.

Note: You can view the printer's IP address at any time. On the control panel, select **Information**, press the **OK** button, select **Printer Identification**, and then press the **OK** button.

Using the Control Panel

To turn on/off either the DHCP or AutoIP protocol:

1. On the control panel, select **Printer Setup**, and then press the **OK** button.
2. Select **Connection Setup**, and then press the **OK** button.
3. Select **Network Setup**, and then press the **OK** button.
4. Select **TCP/IP Setup**, and then press the **OK** button.
5. Select **DHCP/BOOTP** or **AutoIP**.
6. Press the **OK** button to run the selection **On** or **Off**.

Using CentreWare IS

To turn on/off the DHCP protocol:

1. Launch your web browser.
2. Enter the printer's IP address in the browser's **Address** field.
3. Select **Properties**.
4. Select the **Protocols** folder on the left navigation panel.
5. Select **TCP/IP**.
6. In the BOOTP/DHCP Settings section, set the **BOOTP/DHCP** option to **On** or **Off**.
7. Click the **Save Changes** button at the bottom of the page.

Manually Setting the Printer's IP Address

Note: Verify that your computer has a properly configured IP address for your network. Contact your network administrator for more information.

If you are on a network without a DNS server, or in an environment where the network administrator assigns printer IP addresses, you can use this method to manually set the IP address. Manually setting the IP address overrides DHCP and AutoIP. Alternatively, if you are in a small office with a single PC and use a dialup modem connection, you can manually set the IP address.

Information Required for Manual IP Addressing

Information	Comments
Internet Protocol (IP) address of the printer	Format is xxx.xxx.xxx.xxx, where xxx represents a decimal number from 0–255.
Network Mask	If you are unsure, leave this blank; the printer chooses an appropriate mask.
Default Router/Gateway address	Router address is required to communicate with the host device from anywhere other than the local network segment.

Using the Control Panel

To manually set the IP address:

1. On the control panel, select **Printer Setup**, and then press the **OK** button.
2. Select **Connection Setup**, and then press the **OK** button.
3. Select **Network Setup**, and then press the **OK** button.
4. Select **TCP/IP Setup**, and then press the **OK** button.
5. Select **DHCP/BOOTP**, and then press the **OK** button to select **Off**.
6. Select **TCP/IP Address**, and then press the **OK** button.
7. Enter the printer's IP address, and then press the **OK** button.

Using CentreWare IS

CentreWare IS provides a simple interface that enables you to manage, configure, and monitor networked printers from your desktop using an embedded web server. For complete information about CentreWare IS, click the **Help** button in CentreWare IS to go to the *CentreWare IS Online Help*.

After setting the printer's IP address, you can modify TCP/IP settings using CentreWare IS.

1. Launch your web browser.
2. Enter the printer's IP address in the browser's **Address** field.
3. Click **Properties**.
4. Select the **Protocols** folder on the left navigation panel.
5. Select **TCP/IP**.
6. Enter or modify the settings, and then click **Save Changes** at the bottom of the page.

See also:

For the Phaser 8560 printer:

Advanced Features Guide at www.xerox.com/office/8560Psupport

System Administrator Guide at www.xerox.com/office/8560Psupport

For the Phaser 8860 printer:

Advanced Features Guide at www.xerox.com/office/8860support

System Administrator Guide at www.xerox.com/office/8860support

Installing the Printer Drivers

This section includes:

- [Available Drivers](#) on page 2-9
- [Windows 2000 or Later](#) on page 2-10
- [Macintosh OS X, Version 10.3 and Higher](#) on page 2-11

Available Drivers

To access special printing options, use a Xerox printer driver.

Xerox provides drivers for a variety of page description languages and operating systems. The following printer drivers are available:

Printer Driver	Source*	Description
Windows PostScript Driver	CD-ROM and Web	The PostScript driver is recommended to take full advantage of your system's custom features and genuine Adobe® PostScript®. (Default printer driver)
PCL Driver	Web only	The Printer Command Language driver can be used for applications requiring PCL. Note: For Windows 2000/XP/Vista only.
Xerox Walk-Up Printing Driver (Windows and Macintosh)	Web only	This driver enables printing from a PC to any Xerox PostScript-enabled printer. This is especially helpful for mobile professionals who travel to multiple locations and need to print to different printers. Note: For Windows 2000/XP only.
Mac OS X (version 10.3 and higher) Driver	CD-ROM and Web	This driver enables printing from a Mac OS X (version 10.3 and higher) operating system.
UNIX Driver	Web only	This driver enables printing from a UNIX operating system.

* Go to the Xerox Drivers and Downloads website for the latest printer drivers:

- www.xerox.com/office/8560Pdrivers (Phaser 8560 printer)
- www.xerox.com/office/8860drivers (Phaser 8860 printer)

Windows 2000 or Later

To install the printer driver from the *Software and Documentation CD-ROM*:

- 1.** Insert the CD-ROM into the computer's CD-ROM drive. If the installer does not launch, do the following:
 - a.** Click **Start**, and then click **Run**.
 - b.** In the **Run** window, type: <CD drive>\INSTALL.EXE.
- 2.** If necessary, select your desired language from the list.
- 3.** Select **Install Printer Driver**.
- 4.** Select the installation method you want to use, and then follow the onscreen instructions.

See also:

For the Phaser 8560 printer:

Advanced Features Guide at www.xerox.com/office/8560Psupport

Online Support Assistant at www.xerox.com/office/8560Psupport

For the Phaser 8860 printer:

Advanced Features Guide at www.xerox.com/office/8860support

Online Support Assistant at www.xerox.com/office/8860support

Macintosh OS X, Version 10.3 and Higher

Set up your printer using Bonjour (Rendezvous), create a desktop USB connection, or use an LPD/LPR connection for Macintosh OS X, version 10.2 and higher.

Macintosh OS X, Version 10.3

Bonjour (Rendezvous) Connection

To install the printer driver from the *Software and Documentation CD-ROM*:

1. Insert the CD-ROM into the CD-ROM drive and select the VISE installer to install the printer software.
2. When installation is complete, open the **Printer Setup Utility** for Mac OS X, version 10.3.x.

Note: To locate utilities on the Macintosh hard drive, open the **Applications** folder, and then open the **Utilities** folder.

3. Confirm that the first drop-down menu is set to **Bonjour (Rendezvous)**.
4. Select the printer in the window.
5. Select **Xerox** from the list of manufacturers in the lower drop-down menu.
6. Select the appropriate printer model from the list of available devices.
7. Click the **Add** button.

See also:

For the Phaser 8560 printer:

Advanced Features Guide at www.xerox.com/office/8560Psupport

Online Support Assistant at www.xerox.com/office/8560Psupport

For the Phaser 8860 printer:

Advanced Features Guide at www.xerox.com/office/8860support

Online Support Assistant at www.xerox.com/office/8860support

USB Connection

To install the printer driver from the *Software and Documentation CD-ROM*:

1. Insert the CD-ROM into the CD-ROM drive. Open the **Printer Setup Utility** for Mac OS X, version 10.3.x.

Note: To locate utilities on the Macintosh hard drive, open the **Applications** folder, and then open the **Utilities** folder.

2. Click the **Add** button.
3. Select **USB** from the drop-down menu.
4. Select the printer in the window.

5. Select **Xerox** from the manufacturers in the drop-down menu.
6. Select the appropriate printer configuration from the list of available printers.
7. Click the **Add** button.

Macintosh OS X, Version 10.4

Bonjour Connection

To install the printer driver from the *Software and Documentation CD-ROM*:

1. Insert the CD-ROM into the CD-ROM drive.
2. Open the **Printer Setup Utility**.

Note: To locate utilities on the Macintosh hard drive, open the **Applications** folder, and then open the **Utilities** folder.

3. Click the **Add** button.
4. Select the **Default Browser** in the **Printer Browser**.
5. Select the **Bonjour** printer in the list of available printers. If the **Printer Browser**:
 - Selects the appropriate printer from the **Print Using** drop-down list, go to Step 8.
 - Does not select the appropriate printer from the **Print Using** drop-down list, go to Step 6.
6. Select **Xerox** from the list of manufacturers in the lower drop-down menu.
7. Select the appropriate printer from the list of available printers.
8. Click the **Add** button.

USB Connection

To install the printer driver from the *Software and Documentation CD-ROM*:

1. Insert the CD-ROM into the CD-ROM drive.
2. Open the **Printer Setup Utility**.

Note: To locate utilities on the Macintosh hard drive, open the **Applications** folder, and then open the **Utilities** folder.

3. Click the **Add** button.
4. Select the **Default Browser** in the upper left corner of the **Printer Browser**.
5. Select the USB-connected printer in the printers window. The Printer Browser selects the appropriate printer configuration in the **Print Using** drop-down list.
 - If the appropriate printer configuration is selected, proceed to Step 8.
 - If the appropriate printer configuration is not selected, proceed to Step 6.
6. Select **Xerox** from the manufacturers in the drop-down menu.
7. Select the appropriate printer configuration from the list of available printers.

8. Click the **Add** button. The printer is displayed as an available printer in the Printer Setup Utility.

IPv6

This section includes:

- [Enabling IPv6](#) on page 2-14
- [Setting the Interface ID](#) on page 2-15
- [Automatic Address Assignment](#) on page 2-16
- [DHCPv6](#) on page 2-17
- [Manual Address Assignment](#) on page 2-18
- [Address Precedence](#) on page 2-19

Enabling IPv6

IPv6 can be enabled or disabled independently of IPv4.

Note: If you disable both IPv4 and IPv6, you will lose your connection to the printer. For information on restoring the default TCP/IP settings, see [Resetting the TCP/IP Configuration](#) on page 2-15.

To enable/disable IPv6, use one of the following options:

- The printer's control panel
- CentreWare IS

Using the Control Panel

To enable/disable IPv6 on the control panel:

1. Select **Printer Setup**, and then press the **OK** button.
2. Select **Connection Setup**, and then press the **OK** button.
3. Select **Network Setup**, and then press the **OK** button.
4. Select **TCP/IPv6 Setup**, and then press the **OK** button.
5. Select **IPv6**, and then press the **OK** button to switch between **On** and **Off**.

Using CentreWare IS

To enable/disable IPv6 using CentreWare IS:

1. Launch your web browser.
2. Enter your printer's IP address in the browser's **Address** field.
3. Click **Properties**.
4. Select the **Protocols** folder on the left navigation panel, and then click **TCP/IP**.
5. Click the **TCP/IP (v6)** button.
6. Select the **TCP/IP v6 Enabled** check box to enable TCP/IP v6.
7. Click the **Save Changes** button at the bottom of the page.

Resetting the TCP/IP Configuration

Use the following procedure at the control panel to reset the TCP/IP configuration to the default settings:

1. Select **Printer Setup**, and then press the **OK** button.
2. Select **Connection Setup**, and then press the **OK** button.
3. Select **Reset Connection Setup**, and then press the **OK** button.

Setting the Interface ID

Your IPv6-enabled printer has one interface with multiple addresses. The Interface ID appears after the prefix. The printer uses the Interface ID when assigning both the Link-Local address and automatic addresses that use router-supplied prefix(es). It is not used in addresses supplied by DHCPv6. Link-Local addresses are used by nodes to communicate with other nodes on the same local network. There are two ways to set the Interface ID:

- **Automatic** (default): The Interface ID is identified from the MAC address associated with the interface and different for each device.
- **Manual**: When using this option, verify that the interface ID is 64 bits (8 bytes) and does not contain certain special characters other than colons or valid hexadecimal digits (0 through 9, a through f, or A through F).

Note: If you change the Interface ID, you are prompted to reset the printer before the changes take effect.

The Interface ID can only be set in CentreWare IS.

Using CentreWare IS

To set the Interface ID using CentreWare IS:

1. Launch your web browser.
2. Enter your printer's IP address in the browser's **Address** field.
3. Click **Properties**.
4. Select the **Protocols** folder on the left navigation panel, and then click **TCP/IP**.
5. Click the **TCP/IP (v6)** button.
6. Do one of the following:
 - Select **User Interface ID from MAC address**.
 - Select **Use this Interface ID**.
7. Click the **Save Changes** button at the bottom of the page.

Automatic Address Assignment

Addresses are assigned automatically when a router is found that offers one or more prefixes. Automatically assigned addresses are routeable. Each router-supplied prefix is combined with the Interface ID to create an address. The use of router-supplied prefixes is enabled by default.

To enable/disable automatic address assignment, use one of the following options:

- The printer's control panel
- CentreWare IS

Enabling/Disabling Automatic Address Assignment with the Control Panel

To set the Interface ID on the control panel:

1. Select **Printer Setup**, and then press the **OK** button.
2. Select **Connection Setup**, and then press the **OK** button.
3. Select **Network Setup**, and then press the **OK** button.
4. Select **TCP/IPv6 Setup**, and then press the **OK** button.
5. Select **Auto Assign**, and then press the **OK** button to turn Auto Assign **On** or **Off**.

Enabling/Disabling Automatic Address Assignment with CentreWare IS

To set the Interface ID with CentreWare IS:

1. Launch your web browser.
2. Enter your printer's IP address in the browser's **Address** field.
3. Click **Properties**.
4. Select the **Protocols** folder on the left navigation panel, and then click **TCP/IP**.
5. Click the **TCP/IP (v6)** button.
6. Select/deselect **Use router supplied prefixes**.
7. Click the **Save Changes** button at the bottom of the page.

DHCPv6

DHCPv6 is used to acquire TCP/IP information.

The following DHCPv6 options are available in CentreWare IS:

- **As directed by the router** - DHCPv6 is performed according to values in a router advertisement. This is the default setting.
- **Always, for all configuration options (stateful)** - Stateful DHCPv6 is always attempted, and router flags related to how to perform DHCP are ignored. Configuration options and an IPv6 address are accepted if DHCPv6 is successful.
- **Always, for all configuration options except address (stateless)** - Stateless DHCPv6 is always attempted, and router flags related to how to perform DHCP will be ignored. Configuration options are accepted if DHCPv6 is successful, but no IPv6 address is assigned.
- **Never** - DHCPv6 is not used even if directed to do so by a router.

To enable/disable automatic address assignment, use one of the following options:

- The printer's control panel
- CentreWare IS

Setting DHCPv6 Options with the Control Panel

To change DHCPv6 options using the control panel:

1. Select **Printer Setup**, and then press the **OK** button.
2. Select **Connection Setup**, and then press the **OK** button.
3. Select **Network Setup**, and then press the **OK** button.
4. Select **TCP/IPv6 Setup**, and then press the **OK** button.
5. Select **DHCPv6 Mode**, and then press the **OK** button.
6. Select the DHCPv6 option, and then press the **OK** button.

Setting DHCPv6 Options Using CentreWare IS

To change DHCPv6 options using CentreWare IS:

1. Launch your web browser.
2. Enter your printer's IP address in the browser's **Address** field.
3. Click **Properties**.
4. Select the **Protocols** folder on the left navigation panel, and then click **TCP/IP**.
5. Click the **TCP/IP (v6)** button.
6. Select/deselect the DHCPv6 options.
7. Click the **Save Changes** button at the bottom of the page.

Manual Address Assignment

Enter an IPv6 address manually to add it to any other IPv6 addresses. To create a manual address, enter the IPv6 address and prefix length in the fields provided in CentreWare IS. The default prefix length is 64.

To manually set the IPv6 address, use one of the following options:

- The printer's control panel
- CentreWare IS

Setting the IPv6 Address with the Control Panel

To set the IPv6 address on the control panel:

1. Select **Printer Setup**, and then press the **OK** button.
2. Select **Connection Setup**, and then press the **OK** button.
3. Select **Network Setup**, and then press the **OK** button.
4. Select **TCP/IPv6 Setup**, and then press the **OK** button.
5. Select **Manual Address**, and then press the **OK** button to turn manual addressing on.
6. Select **Manual Address**, and then press the **OK** button.
7. To set the address:
 - a. Press the **Up Arrow** and **Down Arrow** buttons to set the first number, and then press the **OK** button.
 - b. Continue setting individual numbers; press the **OK** button after each selection. When you are finished adding numbers for the address, press the **OK** button to return to the menu.

Setting the IPv6 Address Using CentreWare IS

To manually set the IPv6 address using CentreWare IS:

1. Launch your web browser.
2. Enter your printer's IP address in the browser's **Address** field.
3. Click **Properties**.
4. Select the **Protocols** folder on the left navigation panel, and then click **TCP/IP**.
5. Click the **TCP/IP (v6)** button.
6. In the Manual Address Assignment field, select **Use this address**, and then type the address.
7. Click the **Save Changes** button at the bottom of the page.

Address Precedence

Address precedence can be set to either an IPv6 or IPv4 address when both types are available. IPv6 is the default setting. Address Precedence can only be set in CentreWare IS.

Using CentreWare IS

To set address precedence using CentreWare IS:

1. Launch your web browser.
2. Enter your printer's IP address in the browser's **Address** field.
3. Click **Properties**.
4. Select the **Protocols** folder on the left navigation panel, and then click **TCP/IP**.
5. Click the **TCP/IP (v6)** button.
6. In the **Address Precedence** field, select the desired option.
7. Click the **Save Changes** button at the bottom of the page.

Printing Basics

3

This chapter includes:

- [Overview of Basic Steps](#) on page 3-2
- [Supported Paper and Media](#) on page 3-3
- [Loading Paper](#) on page 3-9
- [Selecting Printing Options](#) on page 3-22
- [Printing on Both Sides of the Paper](#) on page 3-27
- [Printing on Specialty Media](#) on page 3-31
- [Creating Custom Paper Types](#) on page 3-61

See also:

Using paper trays video tutorials at www.xerox.com/office/8560Psupport or www.xerox.com/office/8860support

Overview of Basic Steps

1. Load paper in the tray.
2. If you are prompted by the control panel, either confirm the paper type and size or change it as required.
3. From the software application, access the **Print** dialog box, and then select printing options in the printer driver.
4. Send the job to the printer from the software application's **Print** dialog box.

See also:

[Loading Paper](#) on page 3-9

[Selecting Printing Options](#) on page 3-22

[Printing on Specialty Media](#) on page 3-31

Supported Paper and Media

This section includes:

- [Paper Usage Guidelines](#) on page 3-4
- [Paper That Can Damage Your Printer](#) on page 3-4
- [Paper Storage Guidelines](#) on page 3-5
- [Supported Paper Sizes and Weights](#) on page 3-5

Your printer is designed to be used with a variety of paper types. Follow the guidelines in this section to ensure the best print quality and to avoid jams.

For best results, use Xerox printing media specified for your Phaser 8560/8860 printer. They are guaranteed to produce excellent results with your printer.

To order paper, transparencies, or other specialty media, contact your local reseller or go to the Xerox Supplies website for your printer:

- www.xerox.com/office/8560Psupplies (Phaser 8560 printer)
- www.xerox.com/office/8860supplies (Phaser 8860 printer)

Caution: Damage caused by using unsupported paper, transparencies, and other specialty media is not covered by the Xerox warranty, service agreement, or Total Satisfaction Guarantee. The Total Satisfaction Guarantee is available in the United States and Canada. Coverage may vary outside these areas; please contact your local representative for details.

See also:

For the Phaser 8560 printer:

[Recommended Media List \(United States\)](#)

[Recommended Media List \(Europe\)](#)

For the Phaser 8860 printer:

[Recommended Media List \(United States\)](#)

[Recommended Media List \(Europe\)](#)

Paper Usage Guidelines

The printer trays accommodate most sizes and types of paper, transparencies, or other specialty media. Follow these guidelines when loading paper and media in the trays:

- Use only recommended Xerox transparencies; print quality may vary with other transparencies.
- Do not print on label stock once a label has been removed from a sheet.
- Use only paper envelopes. Print all envelopes single-sided only.
- Do not overload the paper trays.
- Adjust the paper guides to fit the paper size.

See also:

[Printing Transparencies](#) on page 3-31

[Printing Envelopes](#) on page 3-38

[Printing Labels](#) on page 3-45

[Printing Glossy Paper](#) on page 3-51

[Printing Custom Size Paper](#) on page 3-57

Paper That Can Damage Your Printer

Your printer is designed to use a variety of media types for print jobs. However, some media can cause poor output quality, increased paper jams, or damage to your printer.

Unacceptable media includes:

- Rough or porous media
- Plastic media other than supported transparencies
- Paper that has been photocopied
- Paper with cutouts or perforations
- Paper with a pre-punched hole in the center of the short edge
- Paper with staples attached
- Envelopes with windows, metal clasps, side seams, or adhesives with release strips

Paper Storage Guidelines

Providing good storage conditions for your paper and other media contributes to optimum print quality.

- Store paper in dark, cool, relatively dry locations. Most paper items are susceptible to damage from ultraviolet (UV) and visible light. UV radiation, which is emitted by the sun and fluorescent bulbs, is particularly damaging to paper items. The intensity and length of exposure to visible light on paper items should be reduced as much as possible.
- Maintain constant temperatures and relative humidity.
- Avoid attics, kitchens, garages, and basements for storing paper. Inside walls are drier than outside walls where moisture can collect.
- Store paper flat. Paper should be stored on pallets, cartons, shelves, or in cabinets.
- Avoid having food or drinks in the area where paper is stored or handled.
- Do not open sealed packages of paper until you are ready to load them into the printer. Leave paper in the original packaging. For most commercial cut-size grades, the ream wrapper contains an inner lining that protects the paper from moisture loss or gain.
- Leave the media inside the bag until you are ready to use it; reinsert unused media in the bag and reseal it for protection. Some specialty media is packaged inside resealable plastic bags.

Supported Paper Sizes and Weights

The following sections provide information about paper sizes and weights used in the printer trays. For more detailed information about supported paper and other media, print the Paper Tips page:

1. On the control panel, select **Information**, and then press the **OK** button.
2. Select **Information Pages**, and then press the **OK** button.
3. Select **Paper Tips**, and then press the **OK** button to print.

See also:

For the Phaser 8560 printer:

[Recommended Media List \(United States\)](#)

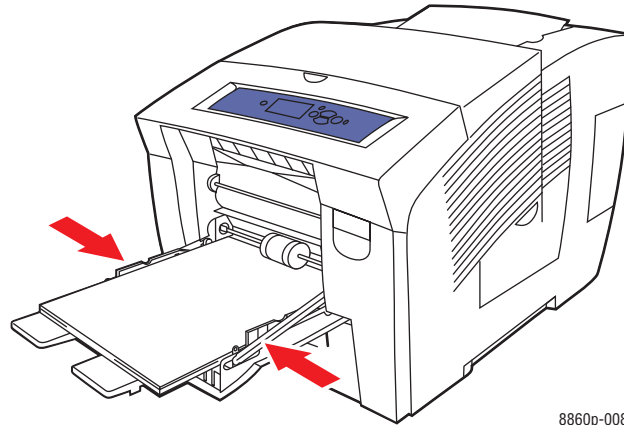
[Recommended Media List \(Europe\)](#)

For the Phaser 8860 printer:

[Recommended Media List \(United States\)](#)

[Recommended Media List \(Europe\)](#)

Supported Paper Sizes and Weights for Tray 1



8860p-008



Tray 1 Paper



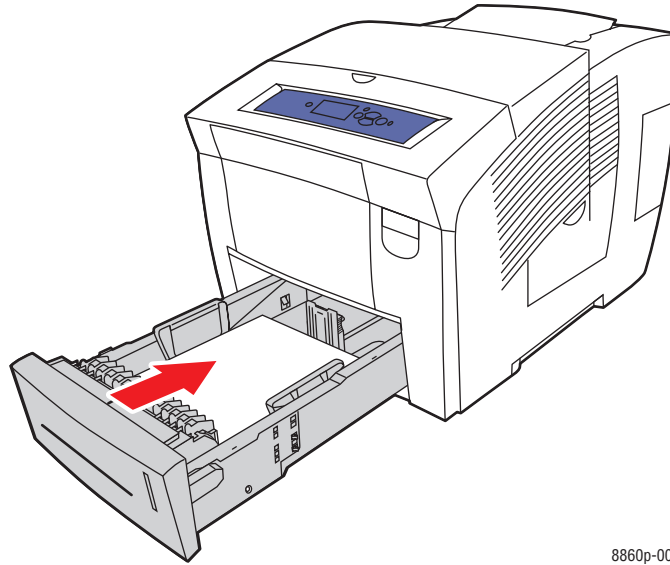
 60–220 g/m² (16–40 lb. Bond, 50–80 lb. Cover)

Index Card	3.0 x 5.0 in.	Custom Sizes
Statement	5.5 x 8.5 in.	Short edge: 76–216 mm (3.0–8.5 in.)
Executive	7.25 x 10.5 in.	Long edge: 127–356 mm (5.0–14.0 in.)
Letter	8.5 x 11.0 in.	Margins
US Folio	8.5 x 13.0 in.	5 mm on all sides
Legal	8.5 x 14.0 in.	
A4	210 x 297 mm	
A5	148 x 210 mm	
A6	105 x 148 mm	
B5 JIS	182 x 257 mm	
ISO B5	176 x 250 mm	

Tray 1 Paper (Continued)

	Monarch	3.87 x 7.5 in.	Margins ■ 5 mm on the side, 15 mm on the top and bottom:
	#10 Commercial	4.12 x 9.5 in.	
	A7	5.25 x 7.25 in.	Monarch
	Baronial (#5 ½)	4.375 x 5.75 in.	#10 Commercial
	#6 ¾	3.625 x 6.5 in.	A7
	6 x 9	6.0 x 9.0 in.	Baronial (#5 ½)
	DL	110 x 220 mm	#6 ¾
	C5	162 x 229 mm	Choukei 3 Gou
	Choukei 3 Gou	120 x 235 mm	Choukei 4 Gou
	Choukei 4 Gou	90 x 205 mm	■ 5 mm on the side, 15 mm on the top, 20 mm on the bottom:
			6 x 9
			DL
			C5

Supported Paper Sizes and Weights for Tray 2, 3, or 4



8860p-005

Tray 2, 3, or 4 Paper

60–120 g/m² (16–32 lb. Bond)

		Margins
Statement	5.5 x 8.5 in.	5 mm on all sides
Executive	7.25 x 10.5 in.	
Letter	8.5 x 11.0 in.	
US Folio	8.5 x 13.0 in.	
Legal	8.5 x 14.0 in.	
A4	210 x 297 mm	
A5	148 x 210 mm	
A6	105 x 148 mm	
B5 JIS	182 x 257 mm	
ISO B5	176 x 250 mm	



		Margins
#10 Commercial	4.12 x 9.5 in.	<ul style="list-style-type: none"> ■ 5 mm on the side, 15 mm on the top and bottom: #10 Commercial
C5 (side flap only)	162 x 229 mm	
DL	110 x 220 mm	
		<ul style="list-style-type: none"> ■ 5 mm on the side, 15 mm on the top, 20 mm on the bottom: C5 DL

Loading Paper

This section includes:

- [Loading Paper in Tray 1](#) on page 3-9
- [Using Manual Feed](#) on page 3-16
- [Loading Paper in Tray 2, 3, or 4](#) on page 3-17

Loading Paper in Tray 1

Use Tray 1 for a wide range of media types including:

- Plain paper, letterhead, colored paper, and pre-printed paper
- Card stock
- Labels
- Envelopes
- Transparencies
- Specialty media (including business cards, photo paper, postcards, pre-punched paper, duradocument paper, and trifold brochures)
- Pre-printed paper (paper already printed on one side)
- Custom size paper

See also:

[Supported Paper Sizes and Weights for Tray 1](#) on page 3-6

[Printing on Specialty Media](#) on page 3-31

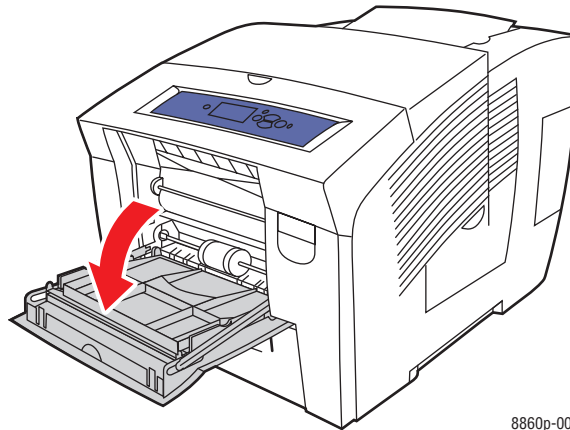
Note: If you change the paper in Tray 1, select the correct paper type and size on the control panel.

The media capacity for Tray 1 is:

- 100 sheets of plain paper (20 lb. Bond)
- 50 sheets of transparencies, glossy paper, or labels
- 10 envelopes

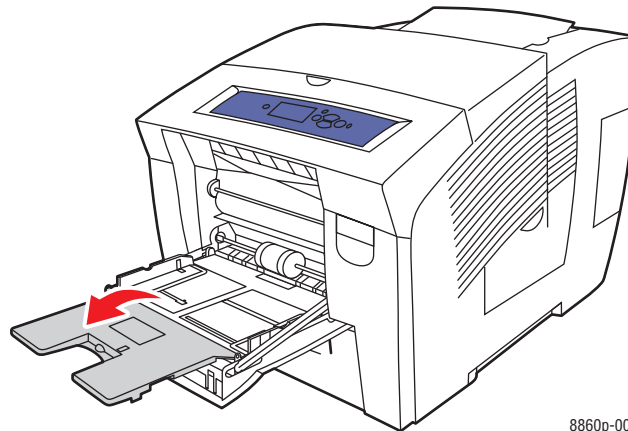
To load paper or other media in Tray 1:

1. Pull down and out on the handle to open Tray 1.



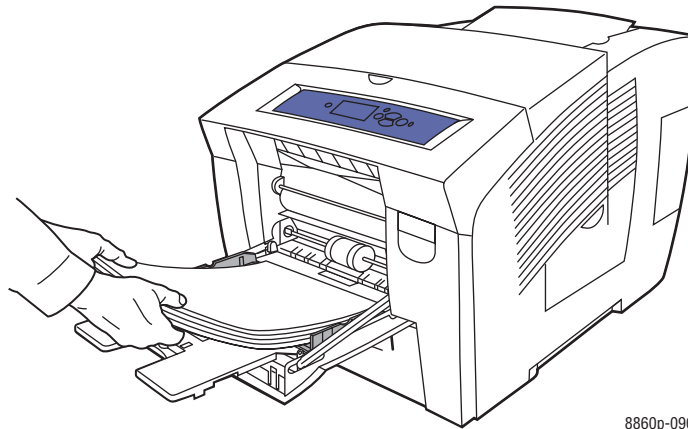
8860p-006

2. Open the tray extension.



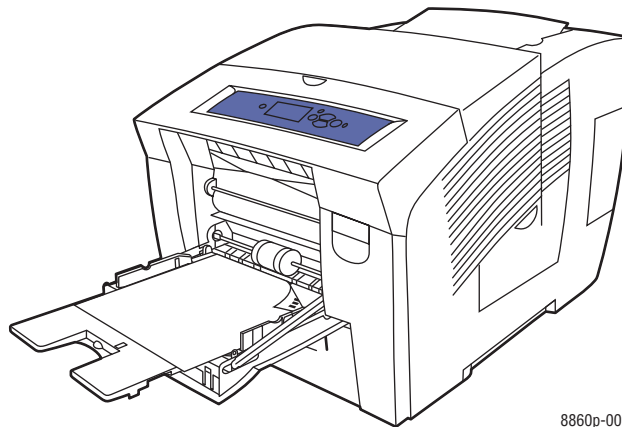
8860p-007

3. Insert paper, transparencies, envelopes, or specialty media into the tray.



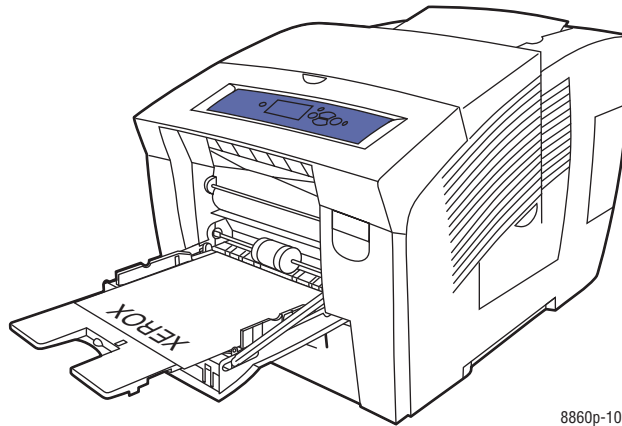
8860p-090

- **Single-sided printing:** Insert the side to be printed **facedown** with the **top** of the page entering the printer first.



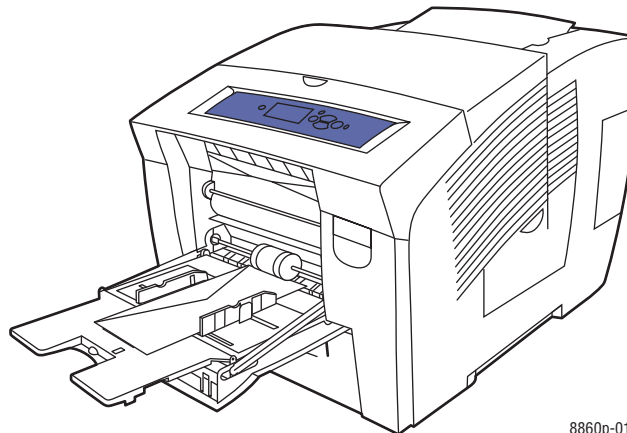
8860p-009

- **2-sided printing:** Insert side one **faceup** with the **bottom** of the page entering the printer first.



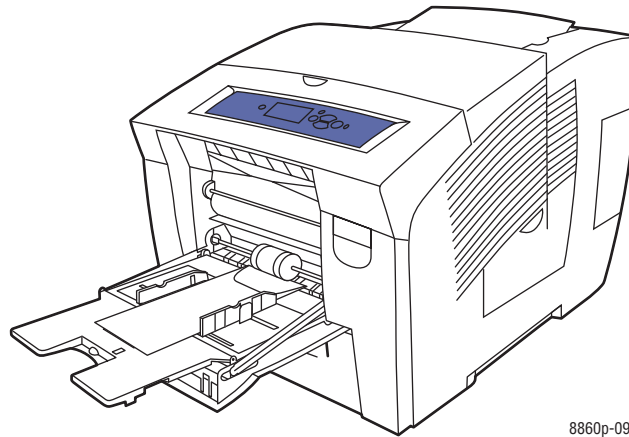
8860p-106

- **Side-flap envelopes:** Insert the envelopes with the **flap side up** and the flap toward the **left** side of the tray.

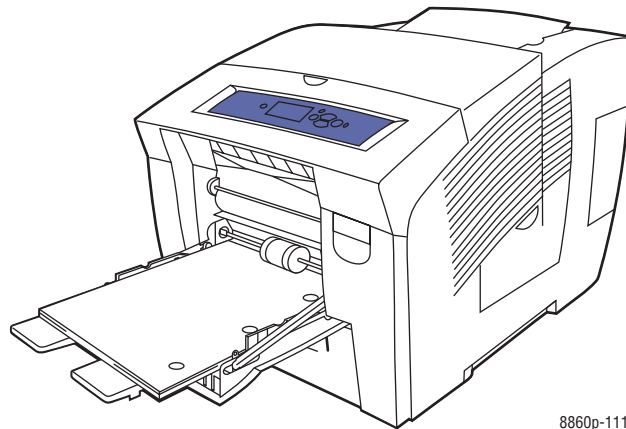


8860p-010

- **End-flap envelopes:** Fold down the flaps before placing them in the tray. Insert the envelopes with the **flap side up** and the flap entering the printer first.

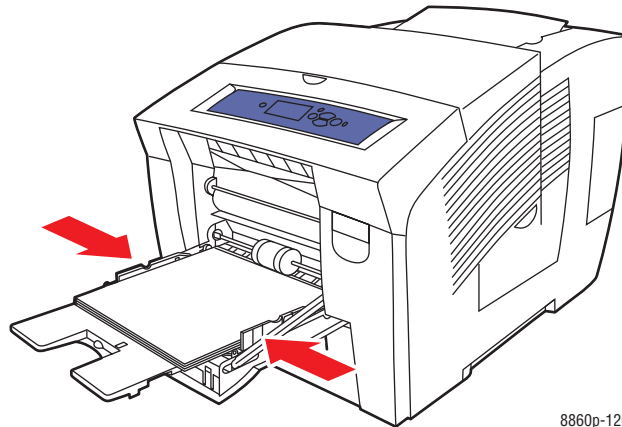


- **Pre-punched paper:** Insert the side to be printed **facedown** with the holes toward the **right** side of the tray.



Note: When using pre-punched paper, adjust the print margins to accommodate the holes. Printing over the holes may cause ink to transfer onto subsequent pages. A minimum margin of 19 mm (0.75 in.) is recommended.

4. Adjust the paper guides to fit the paper loaded in the tray.



5. To use the current tray setup, press the **OK** button on the control panel. If you load a new paper size and type in the tray, do the following:
 - a. Select **Change setup**, and then press the **OK** button.
 - b. Select the paper size, and then press the **OK** button.
 - c. Select the paper type, and then press the **OK** button.

See also:

[Supported Paper Sizes and Weights for Tray 1](#) on page 3-6

[Printing on Specialty Media](#) on page 3-31

[Printing Custom Size Paper from Tray 1](#) on page 3-58

Tray 1 Mode

Tray 1 Mode defines the printer's media handling behavior to better fit the kind of printing you want to do. Three modes determine how paper size and type are set for Tray 1, and which tray is used if you do not select a specific tray:

Automatic: The automatic setting enables incoming print jobs to set paper size and type. It prints from Tray 1 if paper is present at the start of a job and when the job has not selected another tray.

Dynamic (Default): The dynamic setting prompts the printer to search the trays to find the paper size and type to match your print job. If no size or type matches are found in Tray 2, 3, or 4, and Tray 1 media size and type have not been set on the printer's control panel, the printer sets the paper size and type from the print job, and then prints from Tray 1.

Static: The static setting enables the user to select the paper size and type settings for the trays using the Paper Tray Setup menu option on the printer's control panel. To print from Tray 1, the paper size and type of your print job must match the Tray 1 paper size and type settings on the control panel.

See also:

Advanced Features Guide at www.xerox.com/office/8560Psupport or www.xerox.com/office/8860support

Using Manual Feed

If you are using paper, such as letterhead, and do not want others to use it by mistake, you can set the printer to prompt you when it is time to load the paper for your print job.

Windows

To select manual feed using Windows 2000, Windows XP, Windows Server 2003, or Windows Vista:

1. In the Windows printer driver, select the **Paper/Output** tab.
2. Click the button to the right of the paper summary, select **Select By Tray**, and then select **Manual Feed Tray 1** from the list.
3. Click the **OK** button to save the driver settings.
4. Submit your print job.
5. When prompted by the control panel, remove the paper from Tray 1.
6. Load the appropriate paper for your job into the tray.

Macintosh

To select manual feed using Macintosh OS X, version 10.3 or higher:

1. In the **Print** dialog box, select **Paper Feed** from the drop-down list.
2. Select **Manual Feed** in the **All pages from** drop-down list.
3. Submit your print job.
4. When prompted by the control panel, remove the paper from Tray 1.
5. Load the appropriate paper for your job into the tray.

See also:

[Loading Paper in Tray 1](#) on page 3-9

Loading Paper in Tray 2, 3, or 4

Use Tray 2, 3, or 4 for a wide range of media including:

- Plain paper, letterhead, and pre-printed paper
- Card stock
- Labels
- Envelopes: #10 Commercial, C5 (side-flap only), and DL
- Transparencies
- Specialty media (including photo paper, postcards, pre-punched paper, duradocument paper, and trifold brochures)
- Pre-printed paper (paper already printed on one side)

See also:

[Supported Paper Sizes and Weights for Tray 2, 3, or 4](#) on page 3-8

[Printing on Specialty Media](#) on page 3-31

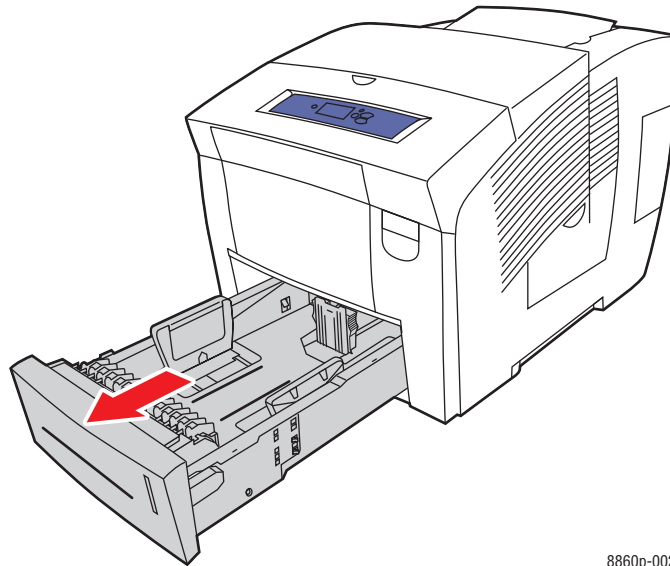
[Printing Custom Size Paper](#) on page 3-57

The media capacity for Tray 2, 3, or 4 is:

- 525 sheets of plain paper (20 lb. Bond)
- 400 sheets of transparencies, glossy paper, or labels
- 40 envelopes

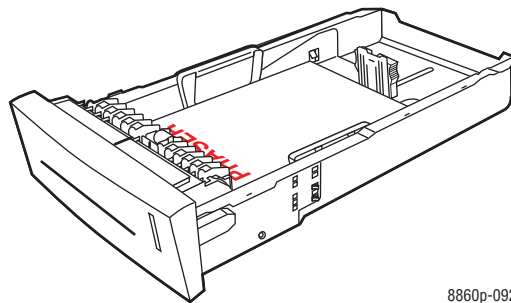
To load paper, envelopes, or other media in Tray 2, 3, or 4:

1. Remove the tray from the printer.



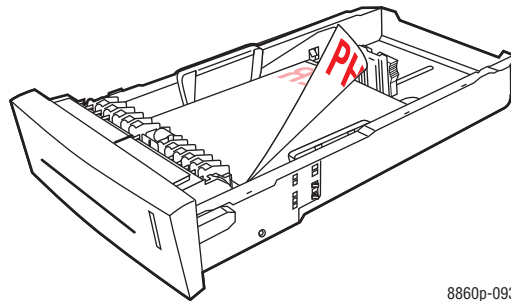
8860p-002

2. Insert paper, transparencies, envelopes, or specialty media into the tray.
 - **Single-sided printing:** Insert the side to be printed **faceup** with the **top** of the page toward the **front** of the tray.



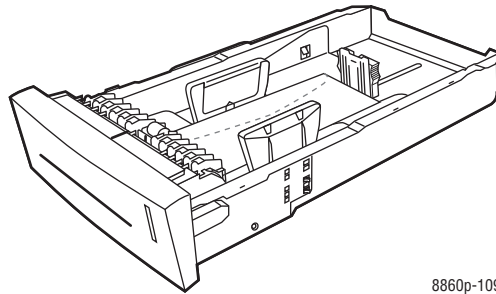
8860p-092

- **2-sided printing:** Insert side one **facedown** with the **top** of the page toward the **back** of the tray.



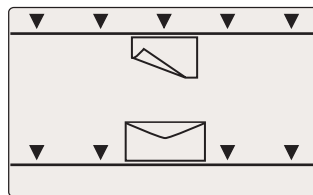
8860p-093

- **Side-flap envelopes:** Insert the envelopes with the **flap side down** and the flap toward the **left** side of the tray.



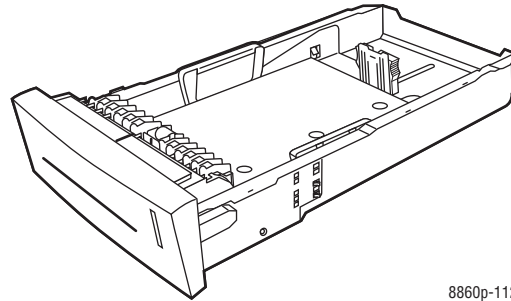
8860p-109

Caution: There are separate fill lines inside the tray for envelopes and for other media. Do not load the tray above the appropriate fill line. Overloading the tray can cause jams.



8860p-113

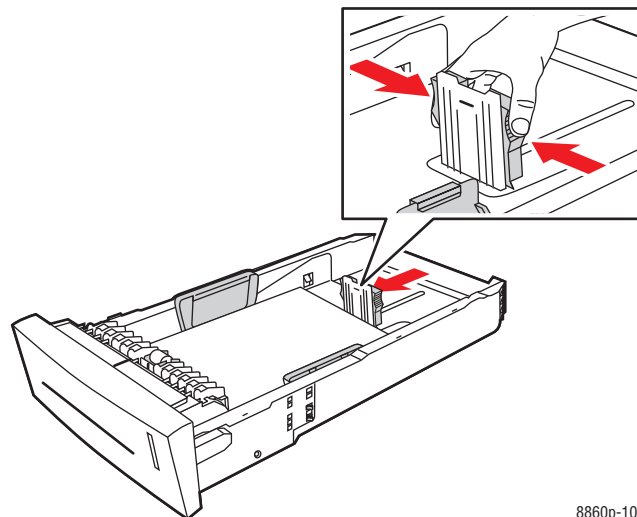
- **Pre-punched paper:** Insert the side to be printed **faceup** with the holes toward the **right** side of the tray.



8860p-112

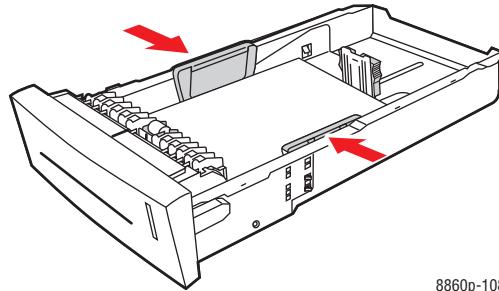
Note: When using pre-punched paper, adjust the print margins to accommodate the holes. Printing over the holes may cause ink to transfer onto subsequent pages. A minimum margin of 19 mm (0.75 in.) is recommended.

3. Adjust the paper guides to fit the paper loaded in the tray (if necessary).
 - **Length guide:** Press the sides, then slide the guide until the arrow on the guide points to the appropriate paper size imprinted on the bottom of the tray. When properly positioned, the guide clicks into place.



8860p-107

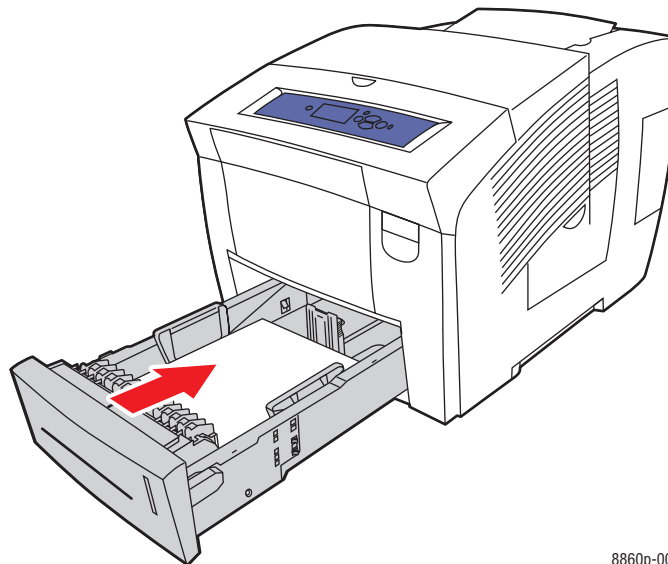
- **Width guides:** Slide the width guides until the arrows on the guides point to the appropriate paper size labeled on the bottom of the tray. When properly positioned, the guides click into place.



8860p-108

Note: When the paper guides are adjusted correctly, there may be a small space between the paper and the guides.

4. Insert the tray into the tray slot and push it completely into the printer.



8860p-005

5. On the control panel:
 - a. Select **Paper Tray Setup**, and then press the **OK** button.
 - b. Select either **Tray 2 Paper Type**, **Tray 3 Paper Type**, or **Tray 4 Paper Type**, and then press the **OK** button.
 - c. Select the appropriate paper type, and then press the **OK** button.

See also:

[Printing on Specialty Media](#) on page 3-31

Selecting Printing Options

This section includes:

- [Selecting Printing Preferences \(Windows\)](#) on page 3-22
- [Selecting Options for an Individual Job \(Windows\)](#) on page 3-23
- [Selecting Options for an Individual Job \(Macintosh\)](#) on page 3-25
- [Restrictions on Printing](#) on page 3-26

See also:

Advanced Features Guide at www.xerox.com/office/8560Psupport or www.xerox.com/office/8860support

Selecting Printing Preferences (Windows)

Printer preferences control all of your print jobs, unless you override them specifically for a job. For example, if you want to use automatic 2-sided printing for most jobs, set this option in printer settings.

To select printer preferences:

1. Select one of the following options:
 - **Windows 2000, Windows XP, Windows Server 2003, and Windows Vista:** Click **Start**, select **Settings**, and then click **Printers**.
 - **Windows XP:** Click **Start**, and then select **Printers and Faxes**.
2. In the **Printers** folder, right-click the icon for your printer.
3. From the popup menu, select **Printing Preferences** or **Properties**.
4. Make selections on the driver tabs, and then click the **OK** button to save your selections.

Note: For more information about Windows printer driver options, click the **Help** button on the printer driver tab to view the online help.

Selecting Options for an Individual Job (Windows)

If you want to use special printing options for a particular job, change the driver settings before sending the job to the printer. For example, if you want to use High-Resolution/Photo print-quality mode for a particular graphic, select this setting in the driver before printing that job.

1. With the desired document or graphic open in your application, access the **Print** dialog box.
2. Select the Phaser 8560/8860 printer and click the **Properties** button to open the printer driver.
3. Make selections from the driver tabs. See the following table for specific printing options.

Note: In Windows 2000, Windows XP, Windows Server 2003, and Windows Vista you can save current printing options with a distinctive name and apply them to other print jobs. Select **Saved Settings** at the bottom of the tab. Click the **Help** button for more information.

4. Click the **OK** button to save your selections.
5. Print the job.

See the following table for specific printing options:

Printing Options for Windows Operating Systems

Operating System	Driver Tab	Printing Options
Windows Vista, Windows 2000, Windows XP, or Windows Server 2003	Paper/Output tab	<ul style="list-style-type: none"> ■ Job Type ■ Document size, paper type, and tray selection ■ 2-sided printing ■ Print quality ■ Saved settings
	Color Options tab	<ul style="list-style-type: none"> ■ Color corrections ■ Black and white conversion ■ Color adjustments
	Layout/Watermark tab	<ul style="list-style-type: none"> ■ Pages per sheet ■ Booklet layout ■ Orientation ■ 2-sided printing ■ Watermark
	Advanced tab	<ul style="list-style-type: none"> ■ Copies and Collate ■ Mirrored Output ■ Booklet Image Order

Selecting Options for an Individual Job (Macintosh)

To select print settings for a particular job, change the driver settings before sending the job to the printer.

1. With the document open in your application, click **File**, and then click **Print**.
2. Select the desired printing options from the menus and drop-down lists that are displayed.

Note: In Macintosh OS X, click **Save Preset** on the **Print** menu screen to save the current printer settings. You can create multiple presets and save each with its own distinctive name and printer settings. To print jobs using specific printer settings, click the applicable saved preset in the **Presets** list.

3. Click **Print** to print the job.

See the following table for specific printing options:

Macintosh PostScript Driver Settings

Operating System	Driver Drop-Down Title	Printing Options
Mac OS X, version 10.4 and 10.5	Copies & Pages	<ul style="list-style-type: none"> ■ Copies ■ Pages
	Layout	<ul style="list-style-type: none"> ■ Pages per sheet ■ Layout direction ■ Border ■ 2-sided printing
	Paper Handling	<ul style="list-style-type: none"> ■ Reverse page order ■ Print (all, odd, even)
	ColorSync	<ul style="list-style-type: none"> ■ Color matching
	Cover Page	<ul style="list-style-type: none"> ■ Cover pages
	Paper Feed	<ul style="list-style-type: none"> ■ Paper source
	Job Types	<ul style="list-style-type: none"> ■ Secure prints, personal prints, personal saved prints, proof prints, saved prints, print with
	Image Quality	<ul style="list-style-type: none"> ■ Print quality ■ Color correction or color conversion ■ Image smoothing
	Printer Features	<ul style="list-style-type: none"> ■ Paper types ■ Separation pages

Macintosh PostScript Driver Settings (Continued)

Operating System	Driver Drop-Down Title	Printing Options
Mac OS X, version 10.3	Copies & Pages	<ul style="list-style-type: none"> ■ Copies ■ Pages
	Layout	<ul style="list-style-type: none"> ■ Pages per sheet ■ Layout direction ■ Border ■ Two-sided printing
	Paper Handling	<ul style="list-style-type: none"> ■ Reverse page order ■ Print (all, odd, even)
	ColorSync	<ul style="list-style-type: none"> ■ Color matching
	Cover Page	<ul style="list-style-type: none"> ■ Cover pages
	Paper Feed	<ul style="list-style-type: none"> ■ Paper source
	Job Types	<ul style="list-style-type: none"> ■ Secure prints, personal prints, proof prints, and saved prints
	Image Quality	<ul style="list-style-type: none"> ■ Print quality ■ RGB color corrections neutral grays ■ Image smoothing
	Printer Features	<ul style="list-style-type: none"> ■ Paper types ■ Separation pages

Restrictions on Printing

Your system administrator can restrict the use of the following printer features:

- color printing
- special job types
- 1-sided printing
- printing from a specific tray

Usage of these features can be restricted to particular times of the day and for particular applications. For example, your system administrator may restrict one-sided printing from your email application; the printer always prints multi-page email messages on both sides of the paper.

Printing on Both Sides of the Paper

This section includes:

- [Automatic 2-Sided Printing](#) on page 3-27
- [Manual 2-Sided Printing](#) on page 3-29

See also:

Online Support Assistant at www.xerox.com/office/8560Psupport or www.xerox.com/office/8860support

Automatic 2-Sided Printing

Automatic 2-sided printing is available from all trays in the Phaser 8860 model and Phaser 8560DN, Phaser 8560DT, and Phaser 8560DX configurations. Before printing a 2-sided document, verify that the paper is a supported size and type for the tray.

- For a list of supported paper sizes, see [Supported Paper and Media](#) on page 3-3.
- For a list of paper types and weights, print the Paper Tips page on the control panel:
 - a. Select **Information**, and then press the **OK** button.
 - b. Select **Information Pages**, and then press the **OK** button.
 - c. Select **Paper Tips Page**, and then press the **OK** button.

The following specialty media should *not* be used for 2-sided printing:

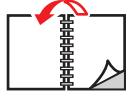

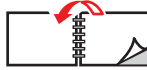

- Transparencies
- Envelopes
- Labels

See also:

[Supported Paper and Media](#) on page 3-3
[Printer Configurations](#) on page 1-4

Binding Edge Options

When you use the printer driver to select 2-sided printing, also select the binding edge, which determines how the pages turn. The actual outcome depends on the orientation (portrait or landscape) of images on the page, as displayed in the following illustrations.

Portrait		Landscape	
			
Bind on Side Edge Flip on Long Edge	Bind on Top Edge Flip on Short Edge	Bind on Side Edge Flip on Short Edge	Bind on Top Edge Flip on Long Edge

Selecting 2-Sided Printing

To select automatic 2-sided printing:

1. Insert paper in the tray.
 - **Tray 1:** Insert side one **faceup** with the **bottom** of the page entering the printer first.
 - **Tray 2, 3, or 4:** Insert side one **facedown** with the **top** of the page toward the **back** of the tray.
2. Select 2-sided printing in the printer driver.

To select automatic 2-sided printing:

Operating System	Steps
Windows Vista, Windows 2000, Windows XP, or Windows Server 2003	<ol style="list-style-type: none"> 1. Select the Paper/Output tab. 2. Select an option under 2-Sided Printing: <ul style="list-style-type: none"> ■ 2-Sided Print ■ 2-Sided Print, Flip on Short Edge
Mac OS X, version 10.3 and higher	<ol style="list-style-type: none"> 1. In the Print dialog box, select Layout. 2. Select Print on Both Sides. 3. Click the Binding icon that matches the edge to bind.

See also:

[Loading Paper in Tray 1](#) on page 3-9

[Loading Paper in Tray 2, 3, or 4](#) on page 3-17

Manual 2-Sided Printing

You can manually print on both sides of the paper when you are using paper types that are either too small or too heavy for automatic 2-sided printing. The Phaser 8560N printer does not have automatic 2-sided printing; however, manual 2-sided printing is available with this printer.

You can also manually print on the second side of paper that is pre-printed on side one. See [Printing Side Two](#) on page 3-30 for instructions on loading pre-printed paper and selecting the 2nd Side option on the control panel.

Note: Before printing the second side of your paper, always select **2nd Side** as the paper type on the control panel and in the printer driver. Selecting **2nd Side** ensures good print quality for manual 2-sided printing.

See also:

[Supported Paper Sizes and Weights](#) on page 3-5

Printing Side One

1. Load paper in the tray.
 - **Tray 1:** Insert side one **facedown** with the **top** of the page entering the printer first.
 - **Tray 2, 3, or 4:** Insert side one **faceup** with the **top** of the page toward the **front** of the tray.
2. Select the appropriate control panel and printer driver options for paper size and paper type, and then print side one.

Printing Side Two

1. Remove the paper from the output tray and reload it in the paper tray:
 - **Tray 1:** Insert side two **face down** with the **top** of the page entering the printer first.
 - **Tray 2, 3, or 4:** Insert side two **face up** with the **top** of the page toward the **front** of the tray.
2. Select **2nd Side** on the control panel:

Tray 1	Tray 2, 3, or 4
<ol style="list-style-type: none">a. Select Change setup, and then press the OK button.b. Select the appropriate paper size, and then press the OK button.c. Select 2nd Side, and then press the OK button.	<ol style="list-style-type: none">a. Select Paper Tray Setup, and then press the OK button.b. Select either Tray 2 Paper Type, Tray 3 Paper Type, or Tray 4 Paper Type (depending on the tray you are using), and then press the OK button.c. Select 2nd Side, and then press the OK button.

3. In the printer driver, select **2nd Side** as the paper type or the appropriate tray as the paper source.

Printing on Specialty Media

This section includes:

- [Printing Transparencies](#) on page 3-31
- [Printing Envelopes](#) on page 3-38
- [Printing Labels](#) on page 3-45
- [Printing Glossy Paper](#) on page 3-51
- [Printing Custom Size Paper](#) on page 3-57

Printing Transparencies

Transparencies can be printed from any tray. They should be printed on one side only. Use only recommended Xerox transparency film.

To order paper, transparencies, or other specialty media, contact your local reseller or go to the Xerox Supplies website for your printer:

- www.xerox.com/office/8560Psupplies (Phaser 8560 printer)
- www.xerox.com/office/8860supplies (Phaser 8860 printer)

Caution: Damage caused by using unsupported paper, transparencies, and other specialty media is not covered by the Xerox warranty, service agreement, or Total Satisfaction Guarantee. The Total Satisfaction Guarantee is available in the United States and Canada. Coverage may vary outside these areas; please contact your local representative for details.

See also:

For the Phaser 8560 printer:

[Recommended Media List \(United States\)](#)

[Recommended Media List \(Europe\)](#)

For the Phaser 8860 printer:

[Recommended Media List \(United States\)](#)

[Recommended Media List \(Europe\)](#)

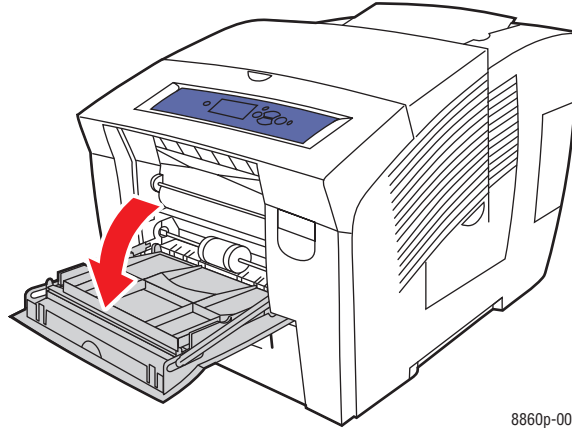
Guidelines

- Remove all paper before loading transparencies in the tray.
- Handle transparencies by the edges using both hands. Fingerprints or creases can cause poor print quality.
- Do not load more than 50 transparencies in Tray 1. Do not load more than 400 transparencies in Trays 2-4. Overloading the tray can cause the printer to jam.
- Do not use transparencies with stripes on the side.
- After loading transparencies, change the paper type at the control panel ([Printer Setup/Paper Handling Setup](#)).

Printing Transparencies from Tray 1

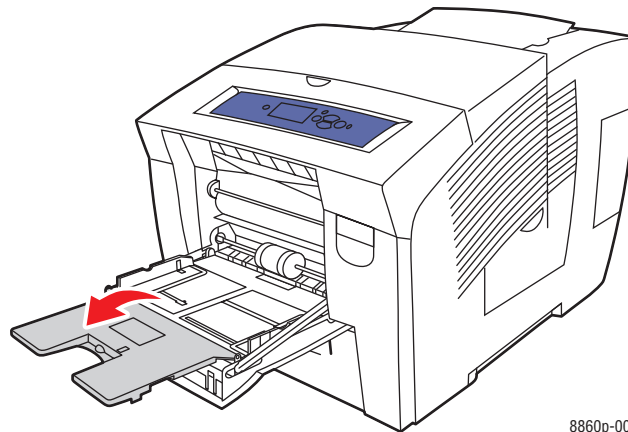
To print transparencies:

- 1.** Pull down and out on the handle to open Tray 1.



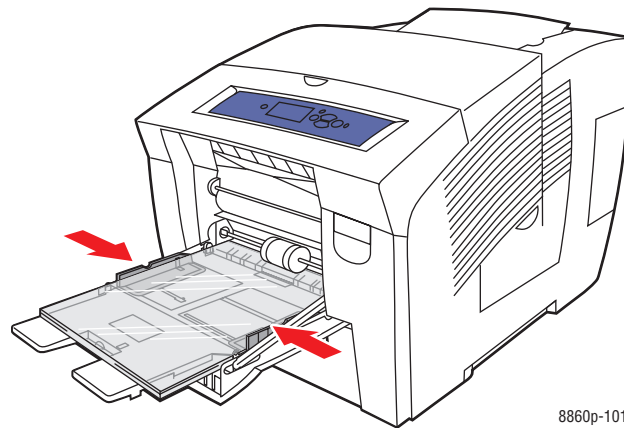
8860p-006

- 2.** Open the tray extension.



8860p-007

3. Insert transparencies into the tray and adjust the paper guides to fit the transparencies.

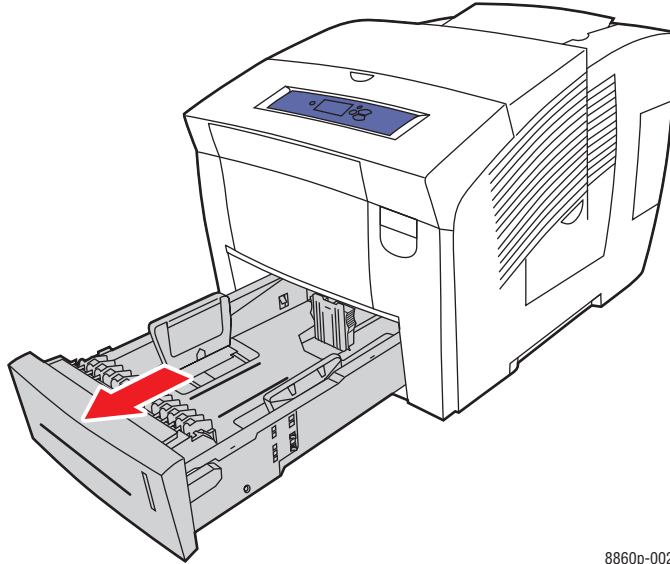


4. On the control panel, press the **OK** button if the correct paper size and **Transparency** are displayed as the current setup, or select the transparency size and type:
 - a. Select **Change setup**, and then press the **OK** button.
 - b. Select the appropriate size, and then press the **OK** button.
 - c. Select **Transparency**, and then press the **OK** button.
5. In the printer driver, select either **Transparency** as the paper type or **Tray 1** as the paper source.

Printing Transparencies from Tray 2, 3, or 4

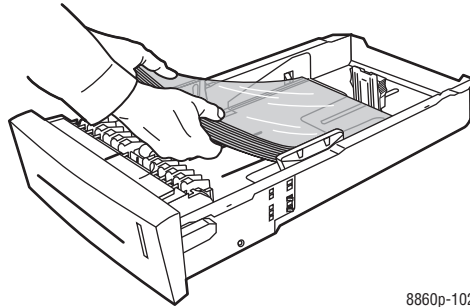
To print transparencies:

- 1.** Remove the tray from the printer.



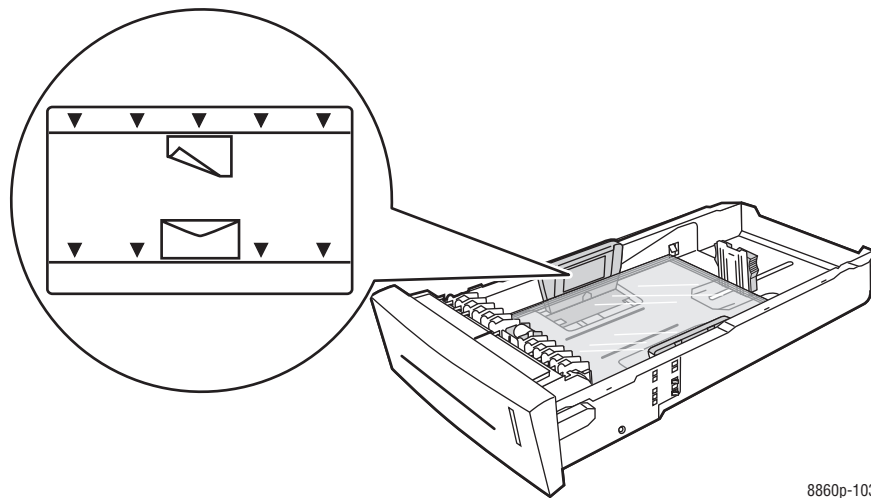
8860p-002

2. Insert transparencies into the tray.



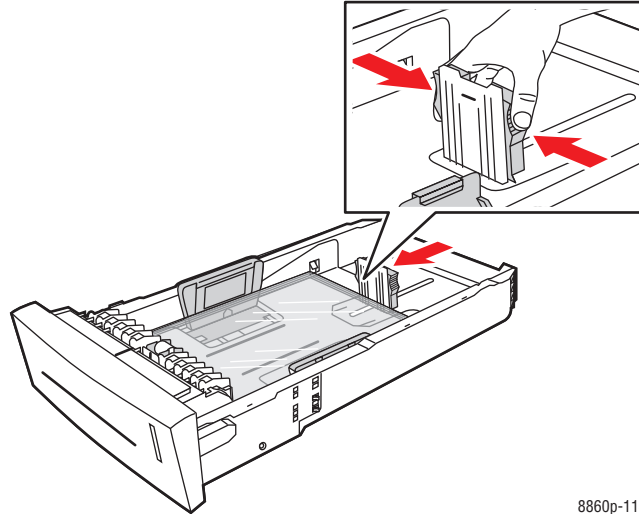
8860p-102

Note: Do not load transparencies above the paper fill line inside the tray.



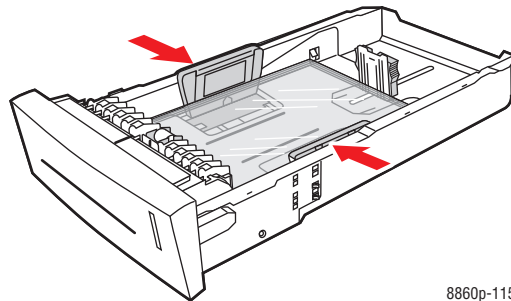
8860p-103

3. Adjust the paper guides to fit the transparencies (if necessary).
 - **Length guide:** Press the sides, then slide the guide until the arrow on the guide points to the appropriate paper size imprinted on the bottom of the tray. When properly positioned, the guide clicks into place.



8860p-114

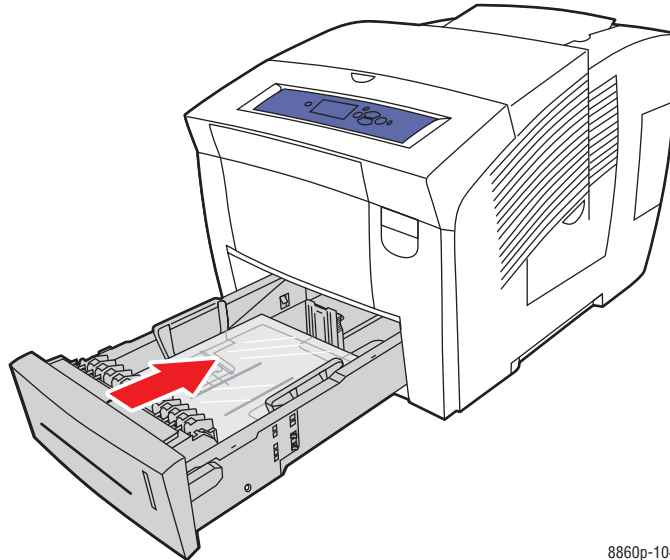
- **Width guides:** Slide the width guides until the arrows on the guides point to the appropriate paper size labeled on the bottom of the tray. When properly positioned, the guides click into place.



8860p-115

Note: When the paper guides are adjusted correctly, there may be a small space between the transparencies and the guides.

4. Insert the tray into the tray slot, and then push it completely into the printer.



8860p-104

5. On the control panel:
 - a. Select **Paper Tray Setup**, and then press the **OK** button.
 - b. Select either **Tray 2 Paper Type**, **Tray 3 Paper Type**, or **Tray 4 Paper Type**, and then press the **OK** button.
 - c. Select **Transparency**, and then press the **OK** button.
6. In the printer driver, select either **Transparency** as the paper type or the appropriate tray as the paper source.

Printing Envelopes

Envelopes can be printed from any tray depending on the type of envelope you are using.

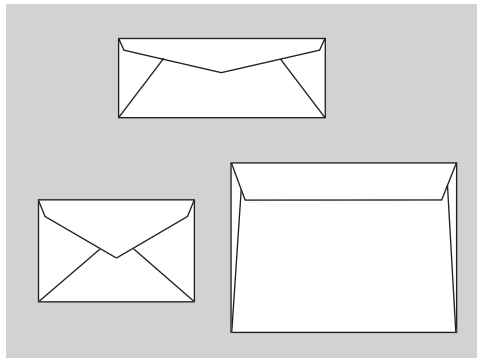
See also:

[Supported Paper Sizes and Weights for Tray 1](#) on page 3-6

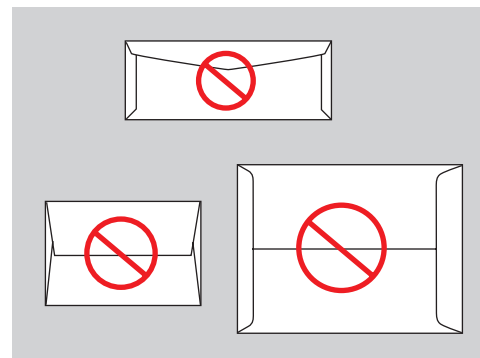
[Supported Paper Sizes and Weights for Tray 2, 3, or 4](#) on page 3-8

Guidelines

- Use only paper envelopes specified in the Supported Papers table. Successful envelope printing is highly dependent on the quality and construction of the envelopes.
- Maintain constant temperatures and relative humidity.
- Store unused envelopes in their packaging to avoid the effects of moisture and dryness which can affect print quality and cause wrinkling. Excessive moisture can cause the envelopes to seal before or during printing.
- Avoid padded envelopes; purchase envelopes that lie flat on a surface.
- Remove air bubbles from the envelopes before loading them into the tray by setting a heavy book on top of them.
- Use envelopes with diagonal seams, not side seams.



8860p-088



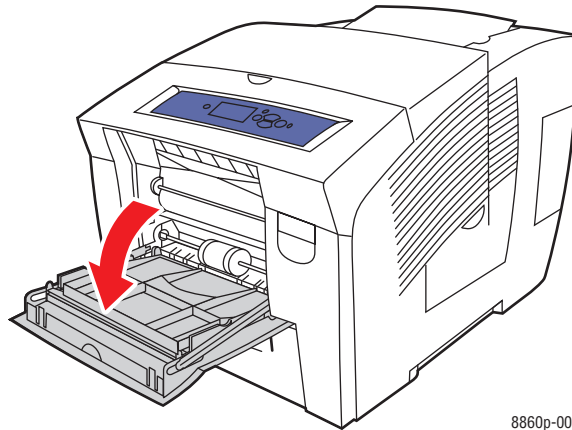
8860p-089

Caution: Never use envelopes with windows or metal clasps; they can damage the printer. Damage caused by using unsupported envelopes is not covered under the Xerox warranty, service agreement, or Total Satisfaction Guarantee. The Total Satisfaction Guarantee is available in the United States and Canada. Coverage may vary outside these areas, please contact your local representative for details.

Printing Envelopes from Tray 1

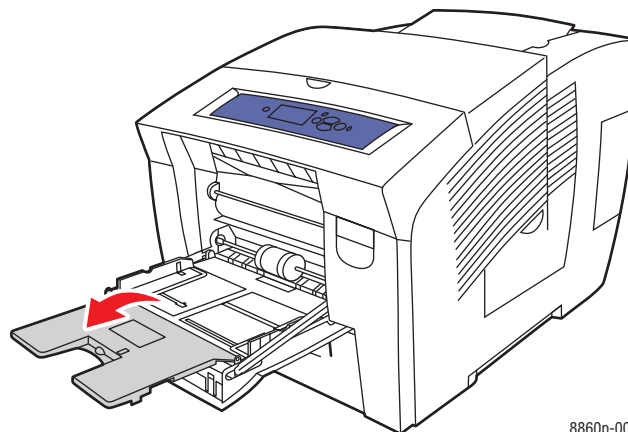
To print envelopes:

- 1.** Pull down and out on the handle to open Tray 1.



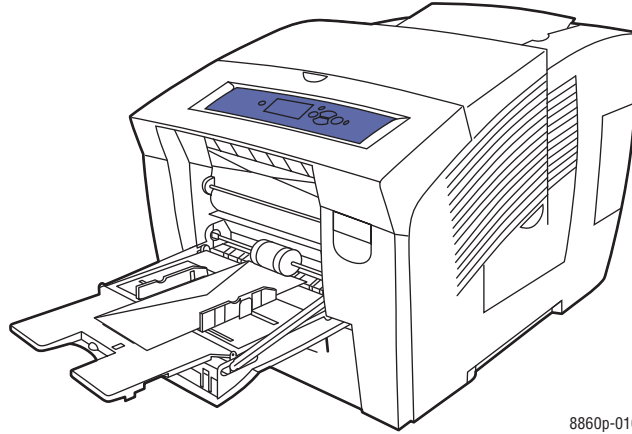
8860p-006

- 2.** Open the tray extension.

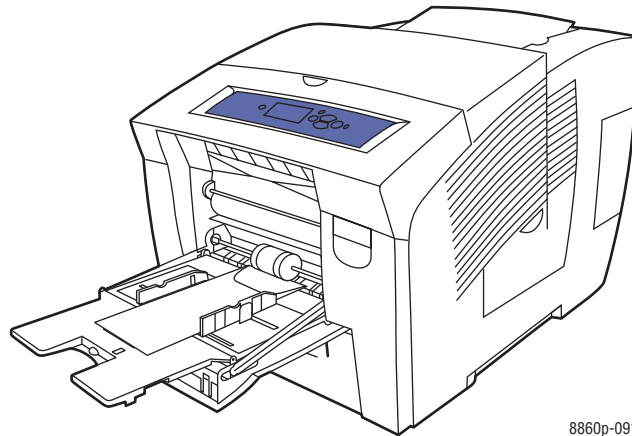


8860p-007

3. Insert a maximum of 10 envelopes into the tray and adjust the paper guides to fit the envelopes:
 - **Side-flap envelopes:** Insert the envelopes with the **flap side up** and the flap of the envelopes toward the **left** side of the tray.



- **End-flap envelopes:** Fold down the flaps before placing them in the tray. Insert the envelopes with the **flap side up** and the flap entering the printer first.

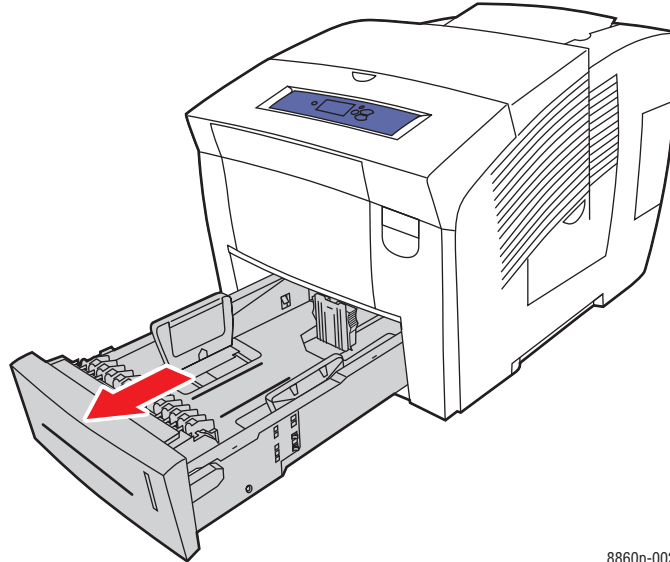


4. On the control panel, press the **OK** button if the correct envelope size and type are displayed as the current setup, or select **Change setup**, and then press the **OK** button.
 - If your envelope size is displayed in the list, select it, and then press the **OK** button. Go to Step 7.
 - If your envelope size is not displayed in the list, select **New Custom Size**, and then press the **OK** button.
5. Select one of the following **Short Edge** options:
 - Press the **OK** button if the correct short edge size is displayed as the current setup.
 - Select **Change**, and then press the **OK** button to enter a new short edge size. Press the **Up Arrow** and **Down Arrow** buttons to specify the envelope's short edge size, and then press the **OK** button.
6. Select one of the following **Long Edge** options:
 - Press the **OK** button if the correct long edge size is displayed as the current setup.
 - Select **Change**, and then press the **OK** button to enter a new long edge size. Press the **Up Arrow** and **Down Arrow** buttons to specify the envelope's long edge size, and then press the **OK** button.
7. Select **Envelope**, and then press the **OK** button.
8. In the printer driver, select either **Envelope** as the paper type or **Tray 1** as the paper source.

Printing Envelopes from Tray 2, 3, or 4

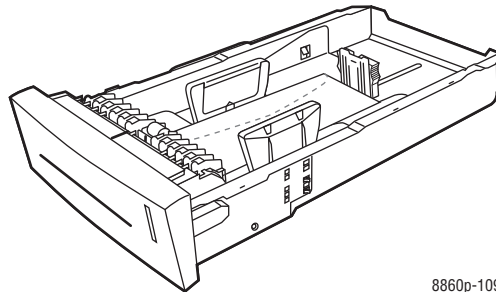
To print envelopes:

1. Remove the tray from the printer.



8860p-002

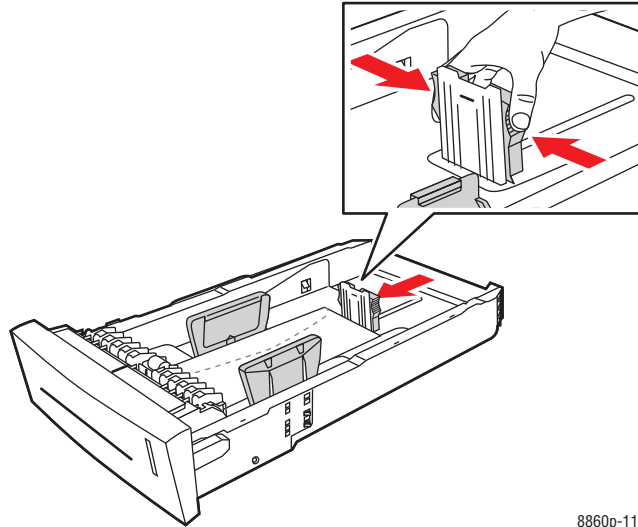
2. Insert a maximum of 40 envelopes into the tray, **flap side down** with the flap toward the **left** side of the tray.



8860p-109

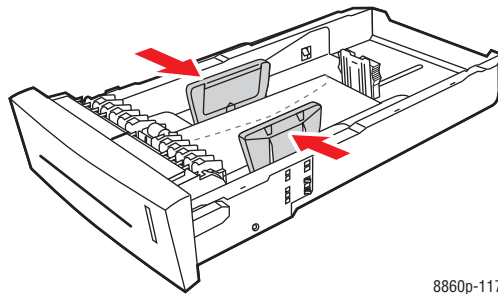
3. Adjust the paper guides to fit the envelopes.

- **Length guide:** Press the sides, then slide the guide until the arrow on the guide points to the appropriate paper size imprinted on the bottom of the tray. When properly positioned, the guide clicks into place.



8860p-116

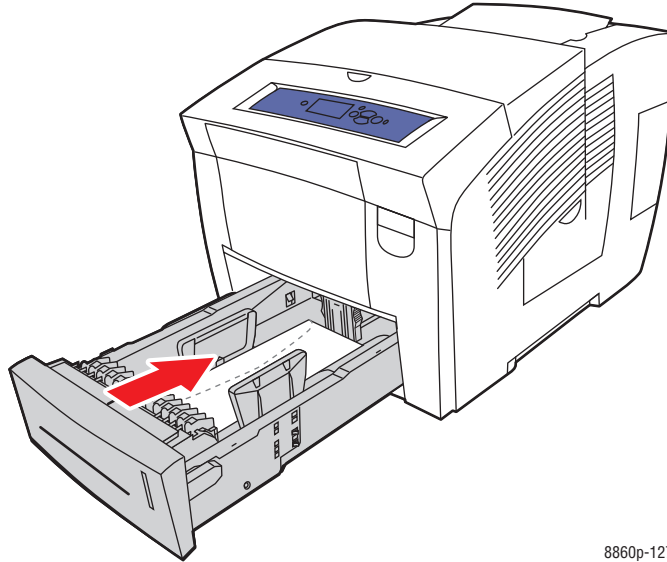
- **Width guides:** Slide the width guides until the arrows on the guides point to the appropriate paper size labeled on the bottom of the tray. When properly positioned, the guides click into place.



8860p-117

Note: When the paper guides are adjusted correctly, there may be a small space between the envelopes and the guides.

4. Insert the tray into the tray slot, and then push it completely into the printer.



8860p-127

5. On the control panel:
 - a. Select **Paper Tray Setup**, and then press the **OK** button.
 - b. Select either **Tray 2 Paper Type**, **Tray 3 Paper Type**, or **Tray 4 Paper Type**, and then press the **OK** button.
 - c. Select **Envelope** and then press the **OK** button.
6. In the printer driver, select either **Envelope** as the paper type or the appropriate tray as the paper source.

Printing Labels

Labels can be printed from any tray.

To order paper, transparencies, or other specialty media, contact your local reseller or go to the Xerox Supplies website for your printer:

- www.xerox.com/office/8560Psupplies (Phaser 8560 printer)
- www.xerox.com/office/8860supplies (Phaser 8860 printer)

See also:

[Supported Paper Sizes and Weights for Tray 1](#) on page 3-6

[Supported Paper Sizes and Weights for Tray 2, 3, or 4](#) on page 3-8

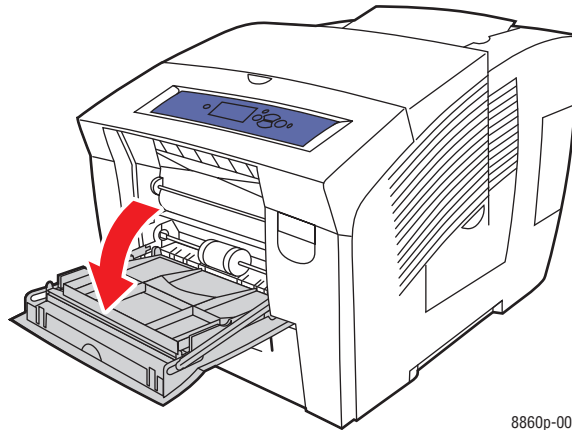
Guidelines

- Do not use vinyl labels.
- Print only on one side of the sheet of labels.
- Do not use any sheet where labels are missing; it may damage the printer.
- Store unused labels flat in their original packaging. Leave the sheets of labels inside the original packaging until ready to use. Return any unused sheets of labels to the original packaging and reseal it.
- Do not store labels in extremely dry or humid conditions or extremely hot or cold conditions. Storing them in extreme conditions may cause print-quality problems or cause them to jam in the printer.
- Rotate stock frequently. Long periods of storage in extreme conditions can cause labels to curl and jam the printer.

Printing Labels from Tray 1

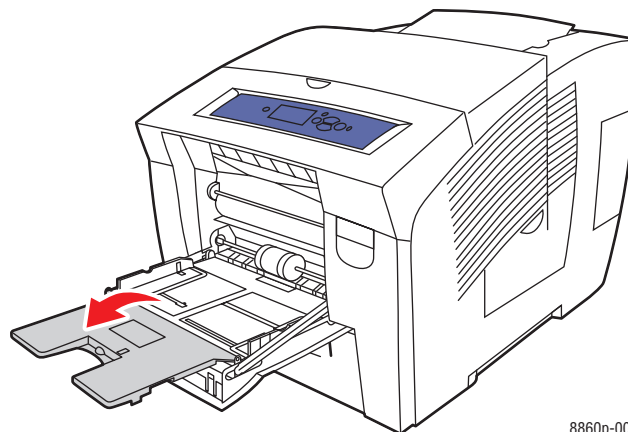
To print labels:

- 1.** Pull down and out on the handle to open Tray 1.



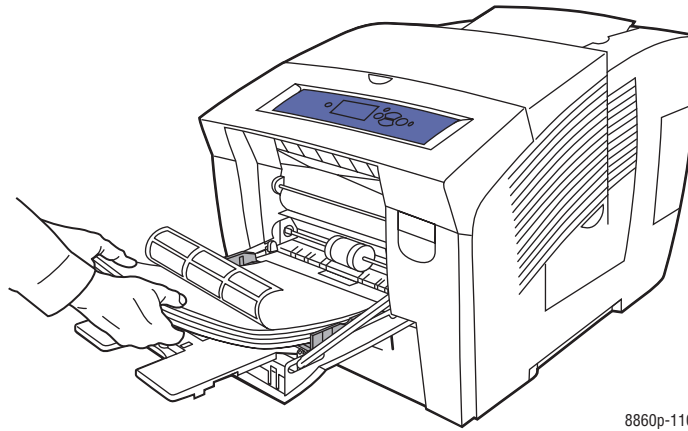
8860p-006

- 2.** Open the tray extension.

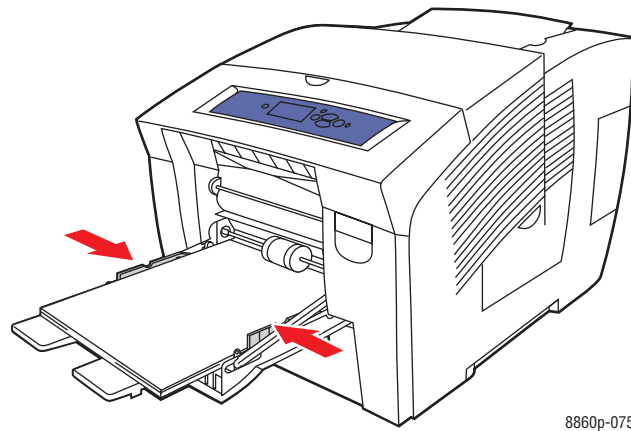


8860p-007

3. Insert a maximum of 50 sheets of labels into the tray with the side to be printed **facedown** and the **top** of the page entering the printer first.



4. Adjust the paper guides to fit the labels loaded in the tray.

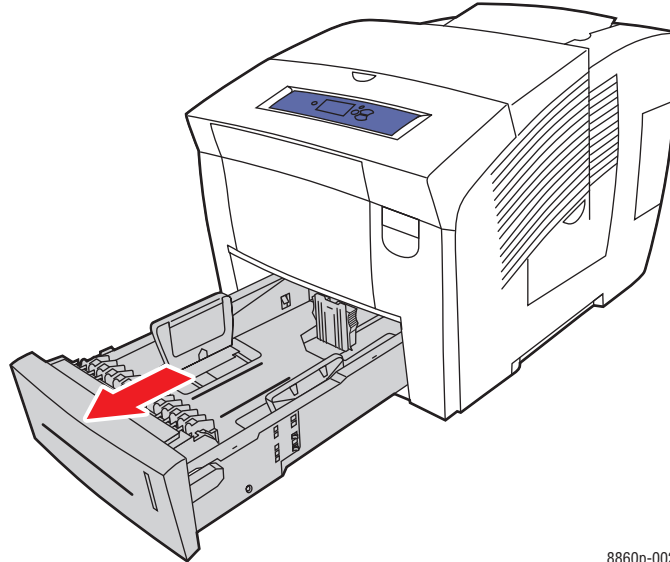


5. On the control panel, press the **OK** button if the correct paper size and **Labels** are displayed as the current setup, or select the label size and type:
 - a. Select **Change setup**, and then press the **OK** button.
 - b. Select the appropriate paper size, and then press the **OK** button.
 - c. Select **Labels**, and then press the **OK** button.
6. In the printer driver, select either **Labels** as the paper type or **Tray 1** as the paper source.

Printing Labels from Tray 2, 3, or 4

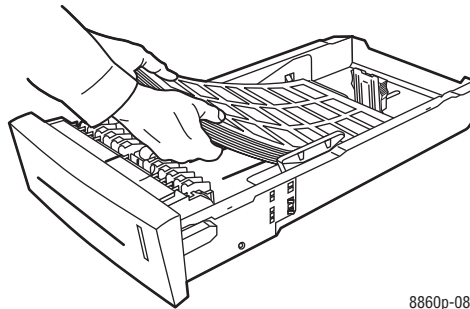
To print labels:

1. Remove the tray from the printer.



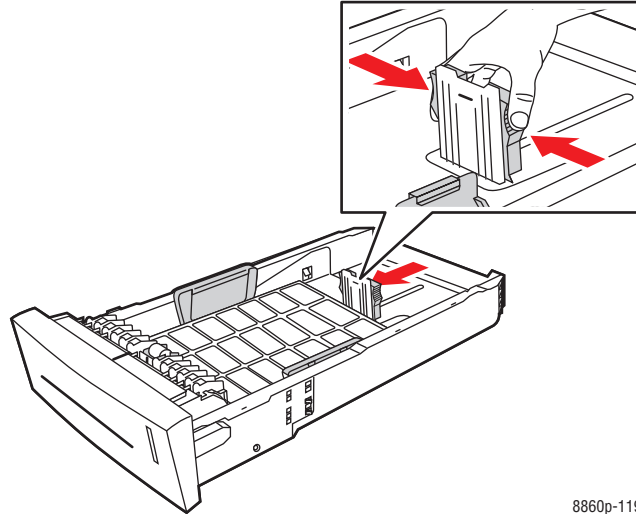
8860p-002

2. Insert a maximum of 400 sheets of labels into the tray with the side to be printed **faceup** and the **top** of the page toward the **front** of the tray.



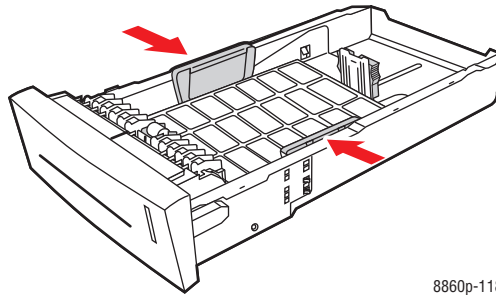
8860p-081

3. Adjust the paper guides to fit the labels (if necessary).
 - **Length guide:** Press the sides, then slide the guide until the arrow on the guide points to the appropriate paper size imprinted on the bottom of the tray. When properly positioned, the guide clicks into place.



8860p-119

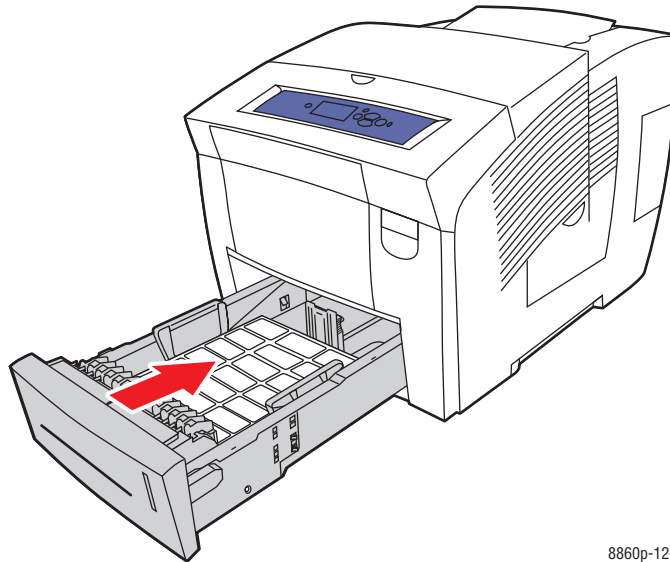
- **Width guides:** Slide the width guides until the arrows on the guides point to the appropriate paper size labeled on the bottom of the tray. When properly positioned, the guides click into place.



8860p-118

Note: When the paper guides are adjusted correctly, there may be a small space between the labels and the guides.

4. Insert the tray into the tray slot, and then push it completely into the printer.



8860p-120

5. On the control panel:
 - a. Select **Paper Tray Setup**, and then press the **OK** button.
 - b. Select either **Tray 2 Paper Type**, **Tray 3 Paper Type**, or **Tray 4 Paper Type**, and then press the **OK** button.
 - c. Select **Labels**, and then press the **OK** button.
6. In the printer driver, select either **Labels** as the paper type or the appropriate tray as the paper source.

Printing Glossy Paper

Glossy paper can be printed, one- or 2-sided, from any tray.

To order paper, transparencies, or other specialty media, contact your local reseller or go to the Xerox Supplies website for your printer:

- www.xerox.com/office/8560Psupplies (Phaser 8560 printer)
- www.xerox.com/office/8860supplies (Phaser 8860 printer)

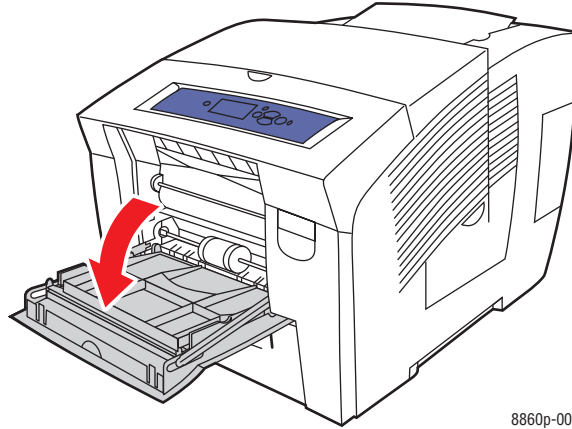
Guidelines

- Do not open sealed packages of glossy paper until you are ready to load them into the printer.
- Leave glossy paper in the original wrapper, and leave the packages in the shipping carton until ready to use.
- Remove all other paper from the tray before loading glossy paper.
- Load only the amount of glossy paper you are planning to use. Do not leave glossy paper in the tray when you are finished printing. Reinsert unused glossy paper in the original wrapper and seal.
- Rotate stock frequently. Long periods of storage in extreme conditions can cause glossy paper to curl and jam the printer.

Printing Glossy Paper from Tray 1

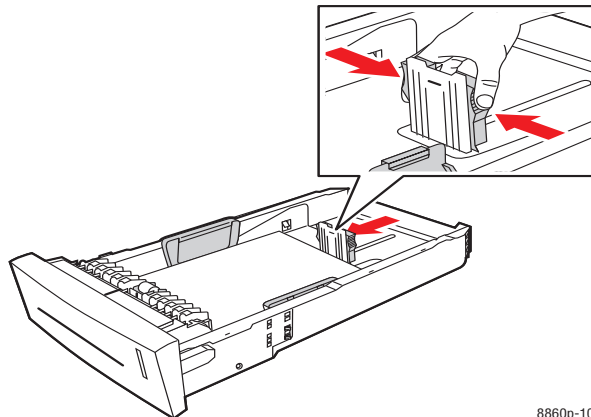
To print glossy paper:

- 1.** Pull down and out on the handle to open Tray 1.



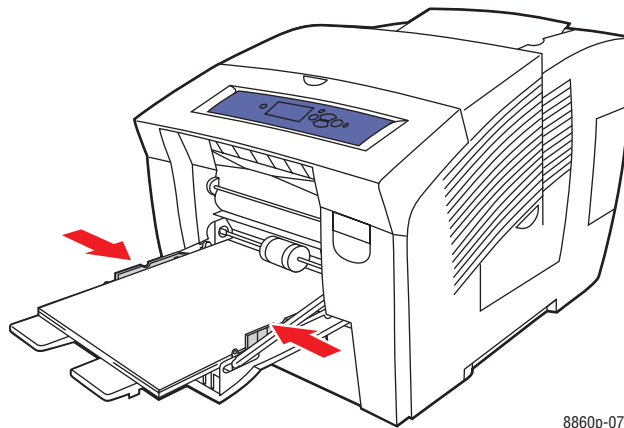
8860p-006

- 2.** Open the tray extension.



8860p-107

3. Insert a maximum of 50 sheets of glossy paper in the tray. Adjust the paper guides to fit the paper.



8860p-075

4. On the control panel, press the **OK** button if the correct paper size and type are displayed as the current setup, or select the appropriate paper size and type:
 - a. Select **Change setup**, and then press the **OK** button.
 - b. Select the appropriate paper size, and then press the **OK** button.
 - c. Select the appropriate paper type, and then press the **OK** button:
 - **Card Stock** (Phaser 8560 printer)
 - **Glossy Paper** (Phaser 8860 printer)
5. In the printer driver, select the appropriate paper type or **Tray 1** as the paper source.

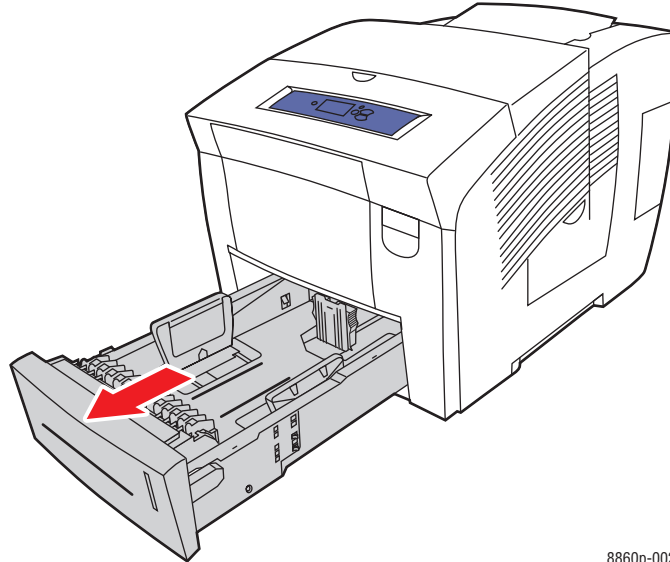
See also:

[Creating Custom Paper Types](#) on page 3-61

Printing Glossy Paper from Tray 2, 3, or 4

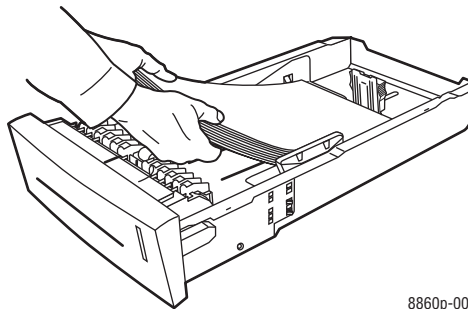
To print glossy paper:

- 1.** Remove the tray from the printer.



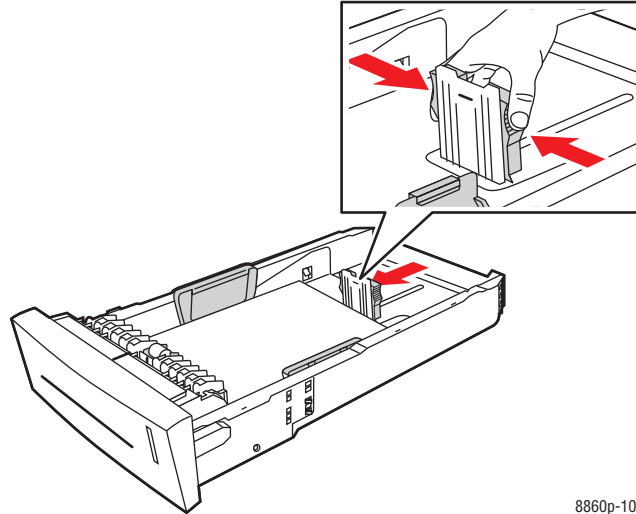
8860p-002

- 2.** Insert a maximum of 400 sheets of glossy paper into the tray.



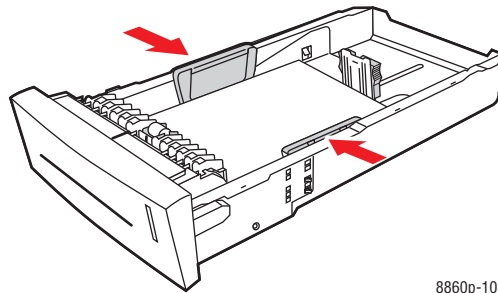
8860p-003

3. Adjust the paper guides to fit the glossy paper (if necessary).
 - **Length guide:** Press the sides, then slide the guide until the arrow on the guide points to the appropriate paper size imprinted on the bottom of the tray. When properly positioned, the guide clicks into place.



8860p-107

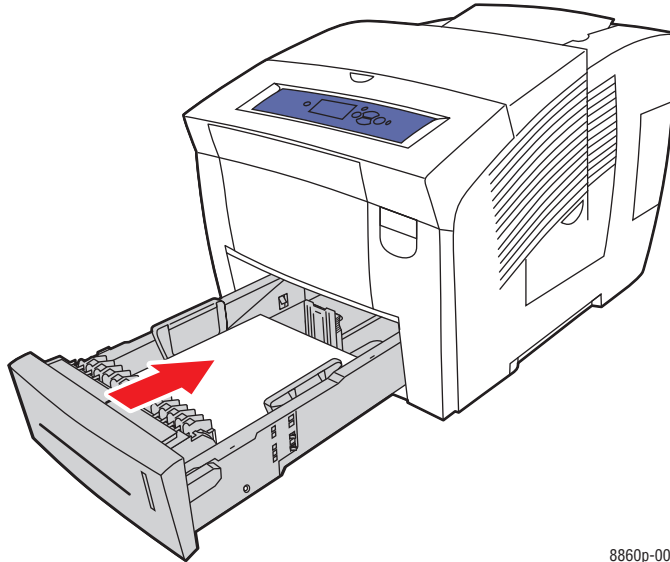
- **Width guides:** Slide the width guides until the arrows on the guides point to the appropriate paper size labeled on the bottom of the tray. When properly positioned, the guides click into place.



8860p-108

Note: When the paper guides are adjusted correctly, there may be a small space between the paper and the guides.

4. Insert the tray into the tray slot, and then push it completely into the printer.



8860p-005

5. On the control panel:
 - a. Select **Paper Tray Setup**, and then press the **OK** button.
 - b. Select either **Tray 2 Paper Type**, **Tray 3 Paper Type**, or **Tray 4 Paper Type**, and then press the **OK** button.
 - c. Select the appropriate paper type, and then press the **OK** button:
 - **Card Stock** (Phaser 8560 printer)
 - **Glossy Paper** (Phaser 8860 printer)
6. In the printer driver, select the appropriate paper type or the selected paper tray as the paper source.

See also:

[Creating Custom Paper Types](#) on page 3-61

Printing Custom Size Paper

In addition to the wide variety of standard paper sizes that you can use for printing, you can also print on custom size paper within the following dimensions.

Note: Print custom size paper from Tray 1 only.

Size Range

	Single-Sided Printing	2-Sided Printing
Short edge	76–216 mm (3.0–8.5 in.)	140–216 mm (5.5–8.5 in.)
Long edge	127–356 mm (5.0–14.0 in.)	210–356 mm (8.3–14.0 in.)
Weight	60–220 g/m ² (16–40 lb. Bond) (22–80 lb. Cover)	60–120 g/m ² (16–32 lb. Bond) (22–45 lb. Cover)

Margins: 5 mm on all sides

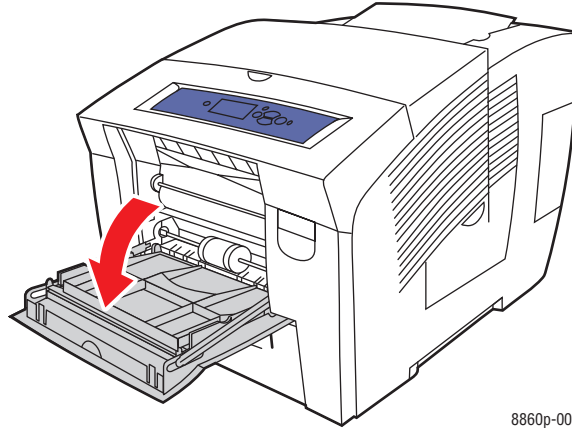
See also:

[Supported Paper Sizes and Weights for Tray 1](#) on page 3-6

Printing Custom Size Paper from Tray 1

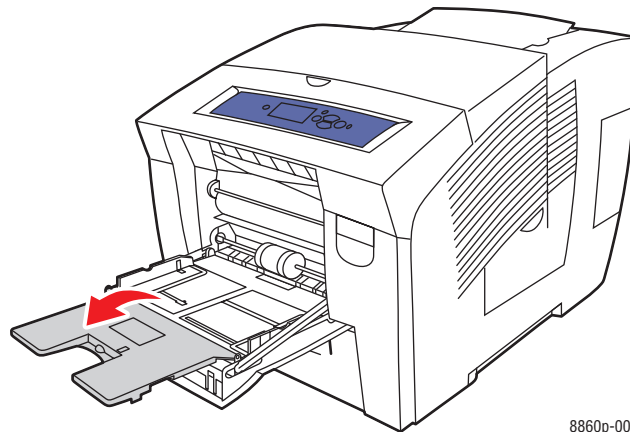
To print custom size paper:

- 1.** Pull down and out on the handle to open Tray 1.



8860p-006

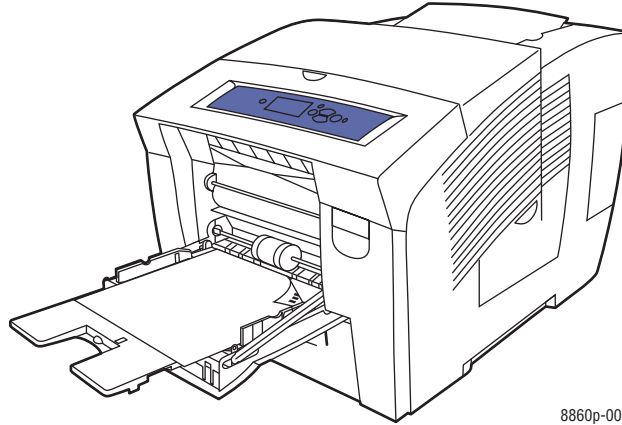
- 2.** Open the tray extension.



8860p-007

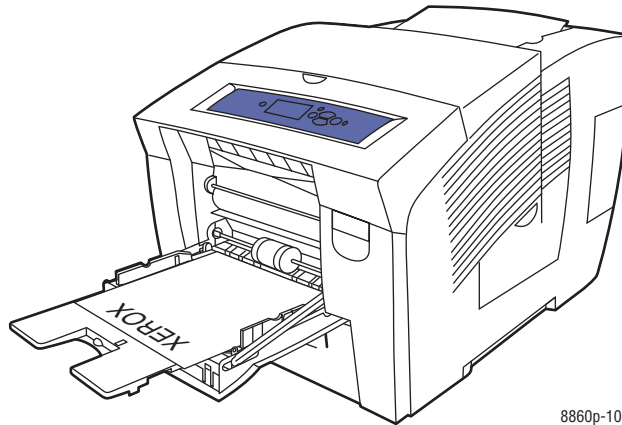
3. Insert custom size paper into the tray:

- **Single-sided printing:** Insert the side to be printed **facedown** with the **top** of the page entering the printer first.



8860p-009

- **2-sided printing:** Insert side one **faceup** with the **bottom** of the page entering the printer first.



8860p-106

4. Adjust the paper guides to fit the paper loaded in the tray.
5. On the control panel, press the **OK** button if the correct paper size and type are displayed as the current setup, or select **Change setup**, and then press the **OK** button.
 - If your custom paper size is displayed in the list, select it, and then press the **OK** button. Go to Step 8.
 - If your custom paper size is not displayed in the list, select **New Custom Size**, and then press the **OK** button.

6. Select one of the following **Short Edge** options:
 - Press the **OK** button if the correct short edge size is displayed as the current setup.
 - Select **Change**, and then press the **OK** button to enter a new short edge size. Press the **Up Arrow** and **Down Arrow** buttons to specify the short edge size, and then press the **OK** button.
7. Select one of the following **Long Edge** options:
 - Press the **OK** button if the correct long edge size is displayed as the current setup.
 - Select **Change**, and then press the **OK** button to enter a new long edge size. Press the **Up Arrow** and **Down Arrow** buttons to specify the long edge size, and then press the **OK** button.
8. Select the appropriate paper type, and then press the **OK** button.
9. In the printer driver, select **Tray 1** as the paper source.

Note: When you define a new custom size, it is stored in the printer so it can be used again. Up to five custom sizes can be stored in the printer. If you define a new custom size after five custom sizes have been stored, the new custom size replaces the least recently used.

Creating Custom Paper Types

Using CentreWare IS, you can create your own custom paper type with specific settings that you can reuse for routine print jobs, such as, monthly reports. Access these custom types in the printer driver, control panel, and CentreWare IS.

To create custom paper types:

1. Launch your web browser.
2. Enter the printer's IP address in the browser's **Address** field.
3. Click **Properties**.
4. Select the **General** folder on the left navigation panel.
5. Select **Custom Paper Types**.
6. Enter or modify the settings, and then click **Save Changes** at the bottom of the page.

Note: For more information about creating custom paper types, click the **Help** button on the **Properties** tab to view the online help.

Print Quality

4

This chapter includes:

- [Controlling the Quality of Your Prints](#) on page 4-2
- [Solving Print-Quality Problems](#) on page 4-6

Controlling the Quality of Your Prints

This section includes:

- [Selecting a Print-Quality Mode](#) on page 4-2
- [Adjusting Color](#) on page 4-4

The print-quality mode and color correction directly control the quality of your prints. The print-quality mode and paper type directly control the print speed. You can change these settings in the printer driver or on the control panel.

Note: Driver settings override the control panel settings.

See also:

Advanced Features Guide at www.xerox.com/office/8560Psupport or www.xerox.com/office/8860support

Selecting a Print-Quality Mode

Print-quality modes available with the Phaser 8560/8860 printer include:

Print-Quality Mode	Type of Print Job
Fast Color	Fastest full-color mode, useful for many images and previewing your work. Rapidly produces review documents; useful for rush jobs. Not recommended for documents containing small text, fine detail, or large areas of bright solid fill.
Standard	General-purpose mode for full-color printing. Produces crisp, bright prints at high speed. Recommended for vibrant, saturated color prints.
Enhanced	Best mode for business presentations. Produces superior text resolution and very smooth light colors. This mode takes longer to process and print than Standard or Fast Color.
High-Resolution/Photo	Highest-quality mode for color prints. Provides the best detail and smoothness for photographic images. Produces highest-quality color prints, with the best text resolution and smoothest light colors. This mode takes longer to process and print than the other modes.

To select the print-quality mode in a supported driver:

Operating System	Steps
Windows Vista, Windows 2000, Windows XP, or Windows Server 2003	<ol style="list-style-type: none">1. Select the Paper/Output tab.2. Select a print-quality mode.
Mac OS X, version 10.3 and higher	<ol style="list-style-type: none">1. In the Print dialog box, select Image Quality from the drop-down list.2. Select a print-quality mode from the Print Quality drop-down list.

Adjusting Color

The color correction options provide simulations of different color devices. **Automatic** is the default correction for general image processing. See the following table to determine what option you want to use.

Color Correction	Description
Automatic	Applies the best color correction to each graphic element: text, artwork, and photographs.
Office Color	sRGB Display Approximates the colors on a computer display.
	sRGB Vivid Produces brighter, more saturated colors than sRGB Display.
	LCD Display Approximates the colors on a LCD computer monitor.
Press Match	SWOP Press Matches Specifications for Web Offset Publications.
	Euroscale Matches FOGRA glossy paper specification.
	Commercial Approximates U.S. commercial press target.
	SNAP Press Matches Specifications for Newsprint Advertising Production.
	Japan Color Matches Japan Color 2001 specification.
	ISO Coated Matches FOGRA 27L specification.
	ISO Uncoated Matches FOGRA 29L specification.
None	Applies no color correction. Use with other color management tools, such as ICC (International Color Consortium) profiles, ColorSync, or the PANTONE® Color Chart for your printer.
Black and White	Converts all colors to shades of gray.
User Printer Control Panel Setting	Uses the color correction set in the printer. The color correction can be set using either the control panel or the CentreWare software (if available).

See also:

Online Support Assistant at www.xerox.com/office/8560Psupport or www.xerox.com/office/8860support

To select the color correction in a supported driver:

Operating System	Steps
Windows Vista, Windows 2000, Windows XP, or Windows Server 2003	<ol style="list-style-type: none">1. Select the Color Options tab.2. Select the desired color correction. Some of the color corrections are grouped under Office Color or Press Match.
Mac OS X, version 10.3 and higher	<ol style="list-style-type: none">1. In the Print dialog box, select Image Quality from the drop-down list.2. Select the desired color correction from the Color Correction drop-down list.

Solving Print-Quality Problems

This section includes:

- [Smudges or Smears](#) on page 4-7
- [Random Light Stripes](#) on page 4-8
- [Predominate Light Stripes](#) on page 4-9
- [Transparency Images Are Too Light or Too Dark](#) on page 4-10
- [Colors Are Wrong](#) on page 4-10
- [PANTONE Colors Do Not Match](#) on page 4-11

Smudges or Smears



Possible Cause	Solution
Smudges or smears appear on the page.	<p>To prevent smudges or smears from appearing on the page:</p> <ol style="list-style-type: none"> 1. Verify that the paper you are using is the correct type for the printer and is properly loaded in the tray. For information on supported paper types and weights, print the Paper Tips page: <ol style="list-style-type: none"> a. On the control panel, select Information, and then press the OK button. b. Select Information Pages, and then press the OK button. c. Select Paper Tips Page, and then press the OK button. 2. If the problem continues, run cleaning pages through the printer: <ol style="list-style-type: none"> a. On the control panel, select Troubleshooting, and then press the OK button. b. Select Print Quality Problems, and then press the OK button. c. Select Remove Print Smears, and then press the OK button. The printer cleans the ink from the rollers by running several sheets of paper through the printer. Repeat Step 2 up to three times if the smears continue to appear. 3. If the problem continues: <ol style="list-style-type: none"> a. Open the door on the right side of the printer and remove the maintenance kit. b. Wipe the plastic wiper blade with a lint-free cloth. c. Replace the maintenance kit and close the door.

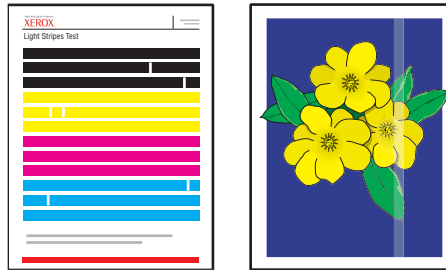
Note: Smudges or smears may appear if you print on side two of pre-printed paper, but do not select 2nd Side as the paper type. Select the **2nd Side** option on the control panel and in the printer driver.

See also:

[Manual 2-Sided Printing](#) on page 3-29

[Cleaning the Maintenance Kit Wiper Blade](#) on page 5-12

Random Light Stripes

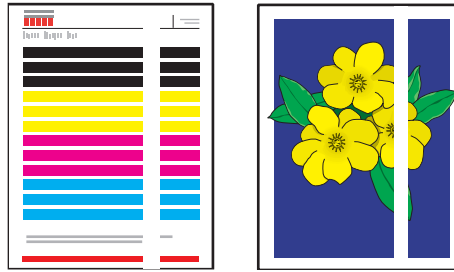


Possible Cause	Solution
<p>Light stripes appear randomly on the test page when one or more color bars is missing.</p>	<p>To prevent random light stripes from appearing on the page:</p> <ol style="list-style-type: none"> 1. On the control panel, select Troubleshooting, and then press the OK button. 2. Select Print Quality Problems, and then press the OK button. 3. Select Eliminate Light Stripes, and then press the OK button. 4. Perform the Basic, Advanced, and Jet Substitution procedures as indicated in the steps below. <p>Basic</p> <ol style="list-style-type: none"> 1. Select Basic, and then press the OK button. 2. Once the Basic procedure is completed, repeat the procedure to eliminate remaining light stripes. <p>If the problem continues, select the Advanced option.</p> <p>Advanced</p> <ol style="list-style-type: none"> 1. Select Advanced, and then press the OK button. 2. Follow the instructions to select the missing jet's color and number. See the Light Stripes Test page to determine the color and jet number of the missing jet. <p>If the problem continues, select the Jet Substitution Mode to substitute a jet for the malfunctioning jet causing the light stripe.</p> <p>Jet Substitution Mode</p> <ol style="list-style-type: none"> 1. Select Jet Substitution Mode, and then press the OK button. 2. Follow the control panel prompts to select the color and malfunctioning jet number indicated on the Light Stripes Test page. <p>Note: When the Jet Substitution Mode is activated, a dot appears next to the number of each substituted jet. Substituted jets may continue to display missing colors since the Light Stripes Test page ignores the Jet Substitution mode. Jet substitution only works during regular printing.</p>

See also:

Online Support Assistant at www.xerox.com/office/8560Psupport or www.xerox.com/office/8860support

Predominate Light Stripes



Possible Cause	Solution
Light stripes appear prominently on the test page when all four color bars are missing.	To prevent predominate light stripes from appearing on the page: <ol style="list-style-type: none">1. Open the exit cover:<ol style="list-style-type: none">a. Remove debris from the paper-exit area.b. Raise the lower paper guide and wipe the plastic paper release blade with a lint-free cloth.2. Close the exit cover.3. Open the door on the right side of the printer:<ol style="list-style-type: none">a. Remove the maintenance kit.b. Wipe the plastic wiper blade with a lint-free cloth.c. Replace the maintenance kit.d. Close the door.4. If the problem continues, follow the steps for Random Light Stripes.

Transparency Images Are Too Light or Too Dark

Possible Cause	Solution
Text or graphics printed on transparencies are either too light or too dark.	<ol style="list-style-type: none"> 1. Verify that Transparency is selected in the software application or in the printer driver. 2. On the control panel, verify that the tray containing the transparencies is set to print transparencies: <ol style="list-style-type: none"> a. Select Paper Tray Setup, and then press the OK button. b. Select one of the following options and then press the OK button: <ul style="list-style-type: none"> ■ Tray 1 Paper (When printing from Tray 1, you must also select the appropriate paper size, Letter or A4, and then press the OK button.) ■ Tray 2 Paper Type, Tray 3 Paper Type, or Tray 4 Paper Type c. Select Transparency, and then press the OK button. 3. Print the Paper Tips page for more information about transparencies: <ol style="list-style-type: none"> a. On the control panel, select Information, and then press the OK button. b. Select Information Pages, and then press the OK button. c. Select Paper Tips Page, and then press the OK button.

Note: Use only recommended Xerox transparencies.

See also:

For the Phaser 8560 printer:

[Recommended Media List \(United States\)](#)

[Recommended Media List \(Europe\)](#)

For the Phaser 8860 printer:

[Recommended Media List \(United States\)](#)

[Recommended Media List \(Europe\)](#)

Colors Are Wrong

Possible Cause	Solution
The color produced by the system is wrong or differs from the color that it must match.	<ul style="list-style-type: none"> ■ See the Online Support Assistant for information about color matching at www.xerox.com/office/8560Psupport or www.xerox.com/office/8860support. ■ See the <i>Advanced Features Guide</i> at www.xerox.com/office/8560Psupport or www.xerox.com/office/8860support.

PANTONE Colors Do Not Match

Possible Cause	Solution
<p>The colors printed on the document do not match the Phaser 8560/8860 printer PANTONE color chart.</p>	<p>To match the document colors to the color chart:</p> <ul style="list-style-type: none"> ■ If the application software allows the user to select a printer PPD file for printing a document, make sure the Phaser 8560/8860 printer PPD is selected. The PANTONE colors in the printer are calibrated for the printer's default halftone; overriding the printer's default halftone will change the printer's color reproduction. For more information about software settings for your applications, consult your application's user manual. ■ Turning off other color matching software, such as ColorSync or ICM color matching, when trying to match PANTONE Colors is recommended. Using other color matching software while matching PANTONE Colors can cause unpredictable color output. If you choose to use a Color Management software, set the printer's color correction to none, and do not use the printer specific charts. ■ To match PANTONE spot colors, in the printer driver select Properties, click the Color Options tab, select Automatic color correction, select Custom from the drop-down list, and then select the Spot Colors tab. For example, print documents using the None color correction if the PANTONE Color chart was printed using None (the recommended setting). Also verify that the color's CMYK values match the CMYK values on the chart. ■ The printed PANTONE charts can fade over time or when exposed to sunlight. Check the color charts you printed against the PANTONE Color swatch book available from PANTONE, Inc. You may need to re-print the chart, especially if it has been exposed to light for some time. Storing the charts in a dark place helps preserve the color. ■ Print a test page from your control panel to check the colors. If your printer has media that is out of specification, or other supplies that are at the end of useful life, color adjustments may not be able to get the printer to match PANTONE Colors.

See also:

Advanced Features Guide at www.xerox.com/office/8560Psupport or www.xerox.com/office/8860support

Maintenance

5

This chapter includes:

- [Maintenance and Cleaning](#) on page 5-2
- [Ordering Supplies](#) on page 5-15
- [Moving and Repacking the Printer](#) on page 5-17

See also:

Maintenance video tutorials at www.xerox.com/office/8560Psupport or www.xerox.com/office/8860support

Replacing supplies video tutorials at www.xerox.com/office/8560Psupport or www.xerox.com/office/8860support

Maintenance and Cleaning

This section includes:

- [Routine Maintenance](#) on page 5-2
- [Cleaning the Paper Release Blade](#) on page 5-10
- [Cleaning the Maintenance Kit Wiper Blade](#) on page 5-12
- [Cleaning the Outside of the Printer](#) on page 5-14

See also:

[User Safety](#) on page A-1

Routine Maintenance

Your system needs little maintenance to keep it producing quality prints. Add ink, empty the waste tray, and replace the maintenance kit when needed to keep your printer functioning properly.

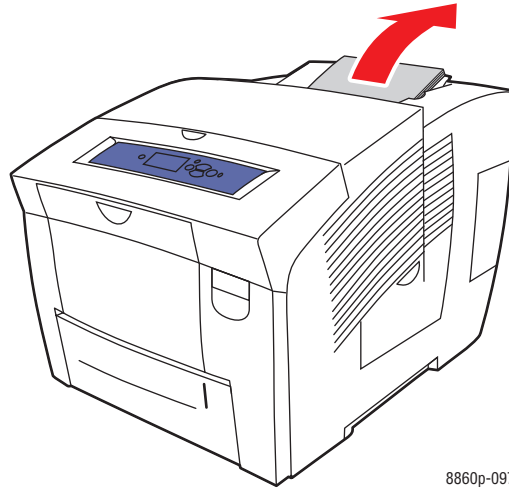
Adding Ink

You can load ink any time the printer is idle, or when the control panel displays the **Ink low** or **Ink out** message.

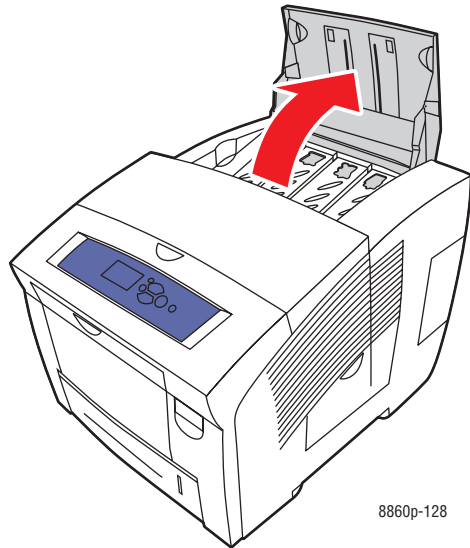
- Keep ink in its packaging until you are ready to use it.
- Do not force ink when inserting sticks into the ink-loading bins. Identify ink by color and shape.
- To avoid ink jams, never insert broken ink sticks into the ink-loading bins.

To load ink:

1. Remove paper from the output tray.



2. Open the top cover.

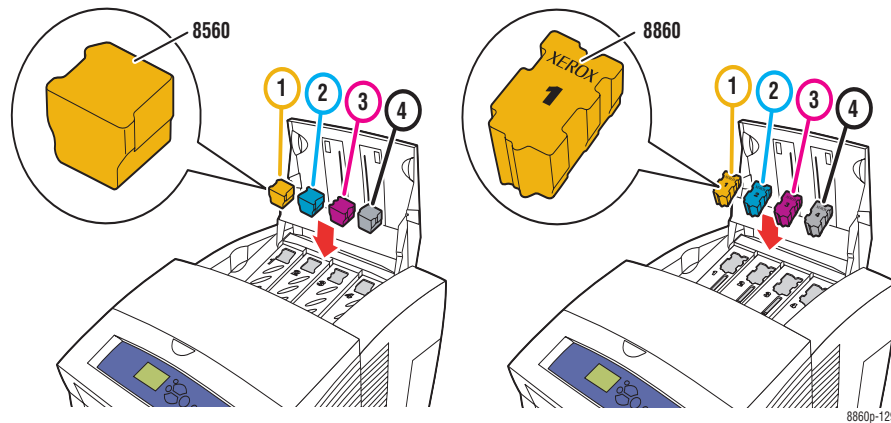


3. Locate the ink-loading bin that is low. A label above each bin indicates the ink stick color and shape for that bin.

4. Remove the ink stick from its packaging. Place the ink stick into the opening of the appropriate ink-loading bin. Do not force the ink stick into the ink-loading bin. Each ink stick is uniquely shaped to fit into the correct ink-loading bin.

Note: The ink shapes vary by printer so be sure to order the correct ink for your specific printer.

Caution: Use of Phaser 8860 ink in a Phaser 8560 printer can damage your printer.



5. Close the top cover. **Warming Up** is displayed on the control panel until the printer is ready for printing.

Note: To minimize ink waste and optimize performance, leave the printer on at all times.

To order ink, contact your local reseller or go to the Xerox Supplies website for your printer:

- www.xerox.com/office/8560Psupplies (Phaser 8560 printer)
- www.xerox.com/office/8860supplies (Phaser 8860 printer)

Caution: Use of ink other than Genuine Xerox Solid Ink may affect print quality and printer reliability. It is the only ink designed and manufactured under strict quality controls by Xerox for specific use with this printer.

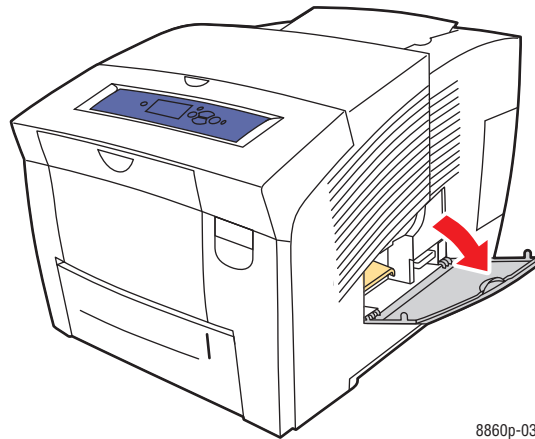
Emptying the Waste Tray

Empty the waste tray when the control panel displays a message stating that the waste tray is full.

Warning: The printer's interior may be hot. Do not touch the hot surfaces!

To empty the waste tray:

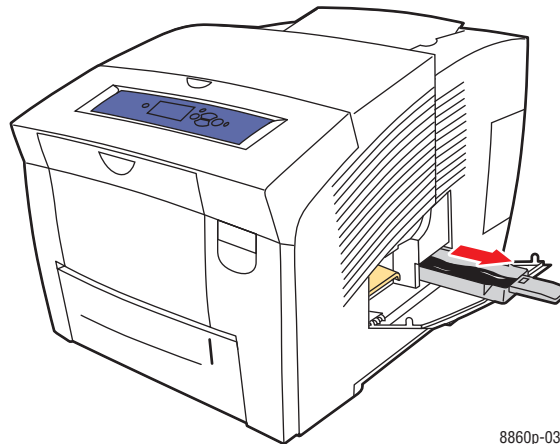
1. Open the side door.



8860p-034

2. Pull the waste tray (labeled **B**) completely out of the printer.

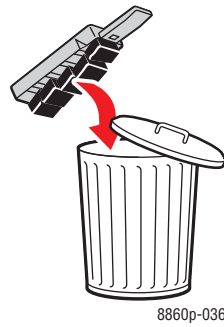
Warning: The waste tray may be hot; handle it carefully.



8860p-035

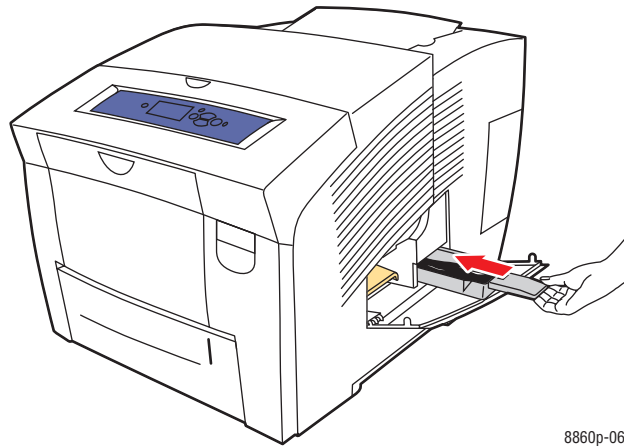
Note: The waste tray may be locked if the printer is in a warm-up cycle or if the ink is cooling following the **Eliminate Light Stripes** troubleshooting routine. If the tray is locked, close the door and wait 15 minutes before repeating Steps 1 and 2.

3. Empty the waste tray in a waste container. The ink is non-toxic and can be discarded as normal office waste.

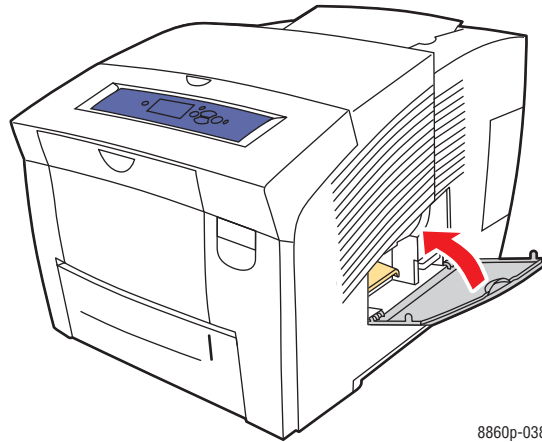


Note: The waste tray must be out of the printer for more than five seconds or you will continue to receive a **Waste Tray Full** message on the control panel.

4. Insert the waste tray into the printer and push it completely into the waste tray slot.



5. Close the side door.



Caution: Do not attempt to reuse the waste ink in the printer; it can damage the printer. This damage is not covered under the printer warranty.

Replacing the Maintenance Kit

The maintenance kit contains a maintenance roller that keeps the surface of the imaging drum clean and oiled.

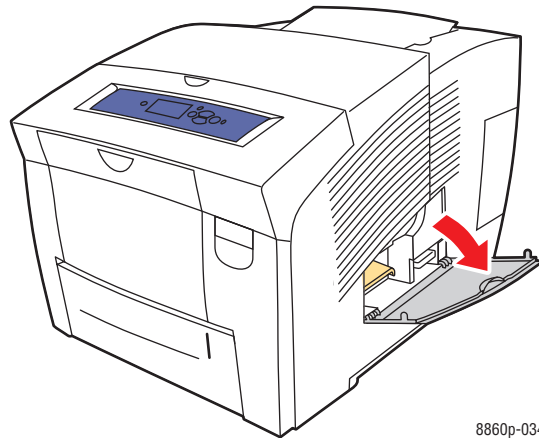
Note: Order a new maintenance kit when the control panel displays a message that the maintenance kit is low. Replace it when the control panel prompts you to replace the maintenance kit.

To order a replacement maintenance kit, contact your local reseller or go to the Xerox Supplies website for your printer:

- www.xerox.com/office/8560Psupplies (Phaser 8560 printer)
- www.xerox.com/office/8860supplies (Phaser 8860 printer)

To replace the maintenance kit:

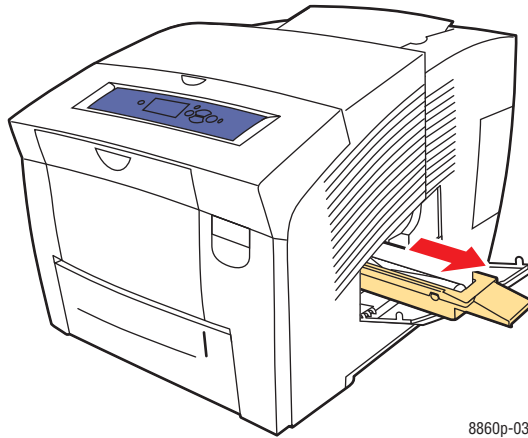
1. Open the side door.



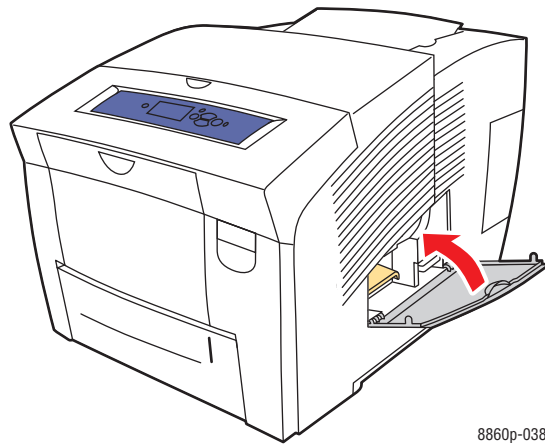
8860p-034

Warning: The printer's interior may be hot. Do not touch the hot surfaces!

2. Remove the maintenance kit (labeled **A**) from the maintenance kit slot.



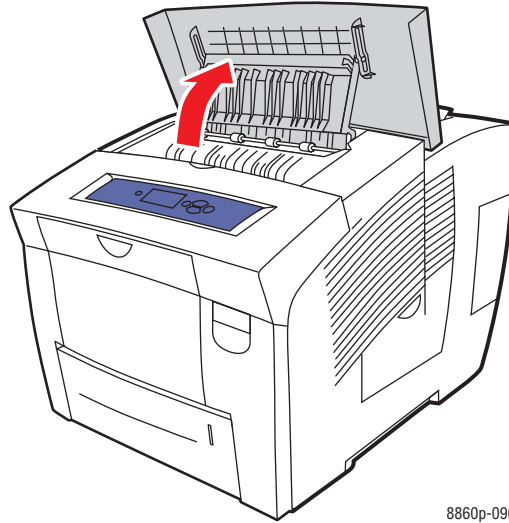
3. Insert the replacement maintenance kit and push it completely into the maintenance kit slot. Follow the illustrated instructions included with the maintenance kit for full installation and disposal information.
4. Close the side door.



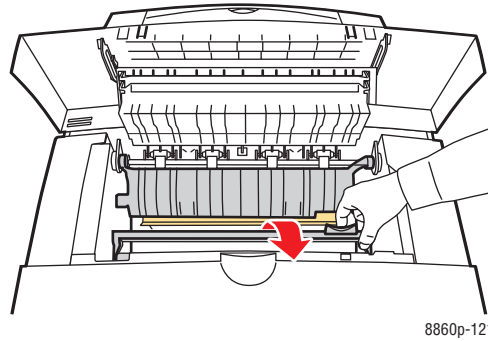
Cleaning the Paper Release Blade

To clean the paper release blade:

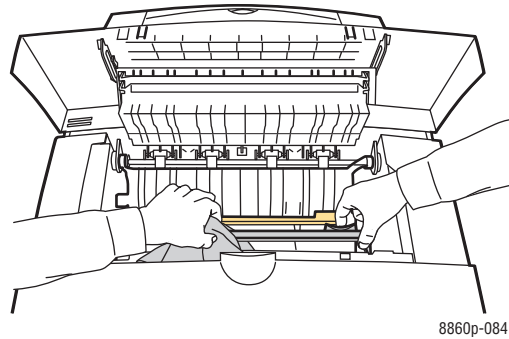
1. Open the exit cover.



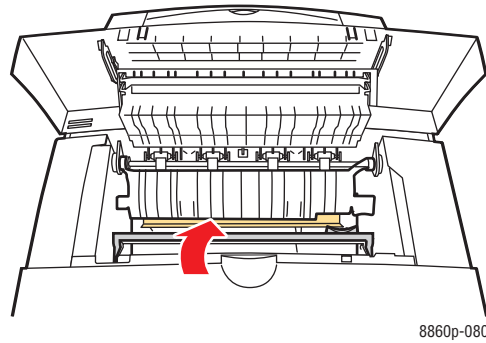
2. Lift the lower paper guide toward the front of the printer.



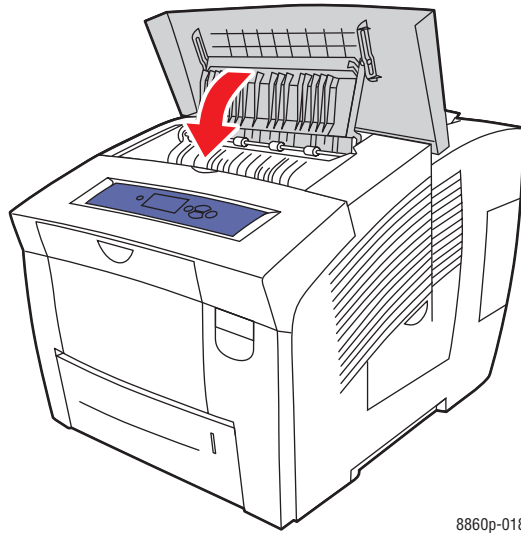
3. Wipe the plastic paper release blade on the lower paper guide with a pre-soaked alcohol cloth (using 90 percent isopropyl alcohol).



4. Lower the paper guide to its original position.



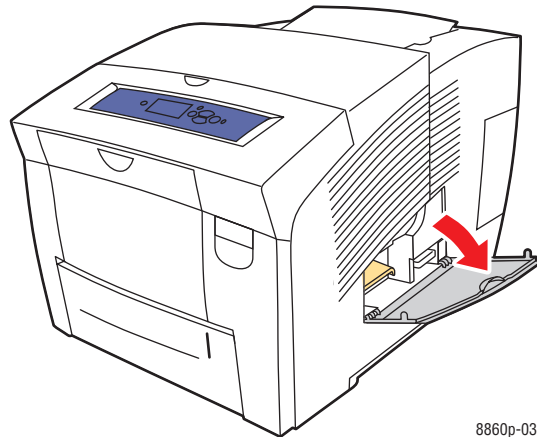
5. Close the exit cover.



Cleaning the Maintenance Kit Wiper Blade

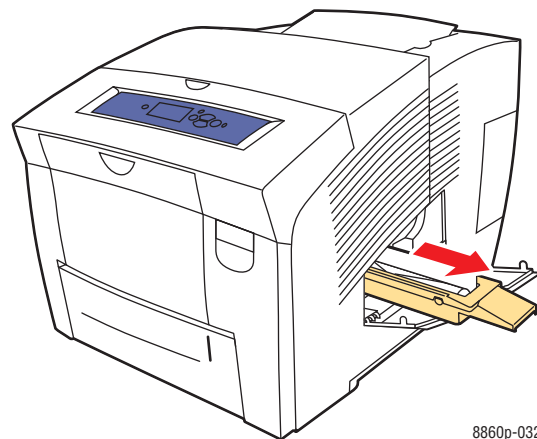
The maintenance kit contains a wiper blade that removes excess ink. To clean the maintenance kit wiper blade:

1. Open the side door.



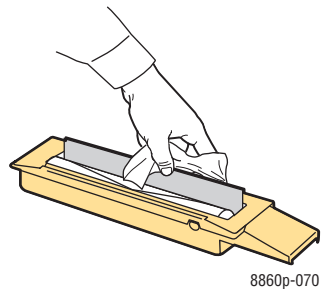
8860p-034

2. Remove the maintenance kit (labeled **A**) from the maintenance kit slot.

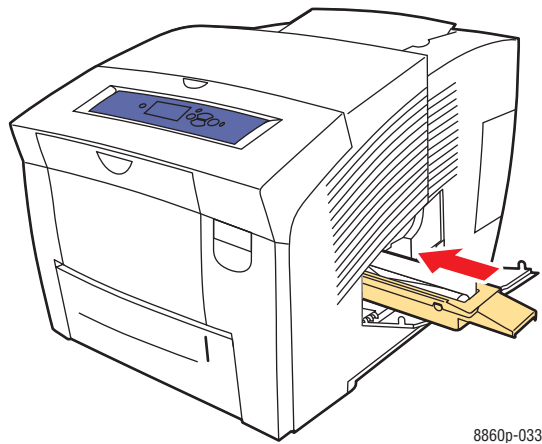


8860p-032

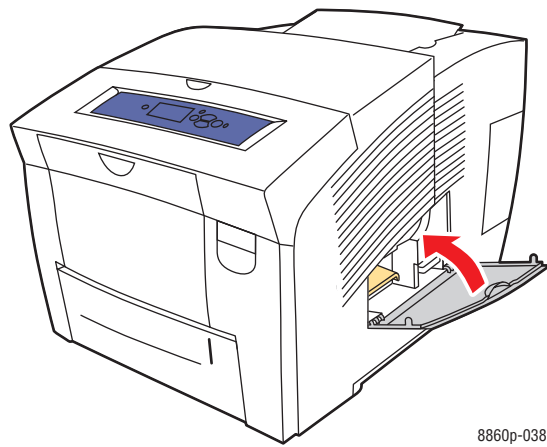
3. Use a lint-free cloth to clean the top and upper edges of the flexible plastic wiper blade located next to the roller.



4. Insert the maintenance kit and push it completely into the maintenance kit slot.



5. Close the door.



Cleaning the Outside of the Printer

To remove stains, clean the outside of the printer using a soft, damp, cloth moistened with a mild neutral detergent. Do not spray detergent directly onto the printer.

Warning: To prevent electric shock, turn the printer off and unplug the power cord from the electrical outlet before cleaning the printer.

Ordering Supplies

This section includes:

- [Consumables](#) on page 5-15
- [Routine Maintenance Items](#) on page 5-15
- [When to Order Supplies](#) on page 5-16
- [Recycling Supplies](#) on page 5-16

Certain consumables and routine maintenance items need to be ordered occasionally. Each item includes installation instructions in the package.

Consumables

Solid ink is the only consumable for the Phaser 8560/8860 printer. The ink shapes vary by printer so be sure to order the correct ink for your specific printer.

Caution: Use of ink other than Genuine Xerox Solid Ink may affect print quality and printer reliability. It is the only ink designed and manufactured under strict quality controls by Xerox for specific use with this printer.

To save ink, leave the printer turned on at all times. For more information about minimizing ink usage, go to the Xerox Support website for your printer:

- www.xerox.com/office/8560Psupport (Phaser 8560 printer)
- www.xerox.com/office/8860support (Phaser 8860 printer)

See also:

[Adding Ink](#) on page 5-2

Routine Maintenance Items

Routine maintenance items are printer parts that have a limited life and require periodic replacement. Replacements may be parts or kits. Routine maintenance items are typically customer replaceable.

The maintenance kit is the only routine maintenance item for the Phaser 8560/8860 printer. To order a replacement maintenance kit, contact your local reseller or go to the Xerox Supplies website for your printer:

- www.xerox.com/office/8560Psupplies (Phaser 8560 printer)
- www.xerox.com/office/8860supplies (Phaser 8860 printer)

Note: Extended-capacity maintenance kits are available for the Phaser 8560/8860 printer.

To view information about the remaining life of the maintenance kit:

1. On the control panel, select **Information**, and then press the **OK** button.
2. Select **Supplies Info**, and then press the **OK** button.
3. Select **Maintenance Kit Life**, and then press the **OK** button.

See also:

[Replacing the Maintenance Kit](#) on page 5-8

[Cleaning the Paper Release Blade](#) on page 5-10

When to Order Supplies

The control panel displays a warning when the supply nears its replacement time. Verify that you have replacements on hand. It is important to order these supplies when the messages first appear to avoid interruptions to your printing. The control panel displays an error message when the supply must be replaced.

To order supplies, contact your local reseller or go to the Xerox Supplies website:

- www.xerox.com/office/8560Psupplies (Phaser 8560 printer)
- www.xerox.com/office/8860supplies (Phaser 8860 printer)

Caution: Use of non-Xerox supplies is not recommended. The Xerox Warranty, Service Agreements, and Total Satisfaction Guarantee do not cover damage, malfunction, or degradation of performance caused by use of non-Xerox supplies, or the use of Xerox supplies not specified for this printer. The Total Satisfaction Guarantee is available in the United States and Canada. Coverage may vary outside these areas; please contact your local representative for details.

Recycling Supplies

For information on Xerox supplies recycling programs, go to www.xerox.com/gwa.

Moving and Repacking the Printer

This section includes:

- [Precautions for Moving the Printer](#) on page 5-17
- [Moving the Printer Within the Office](#) on page 5-17
- [Preparing the Printer for Shipment](#) on page 5-19

Caution: Parts of the printer are hot. To avoid personal injury or damage to the printer, allow the ink to solidify. Run the [Shut Down for Moving Printer](#) procedure on the control panel to cool the printer quickly.

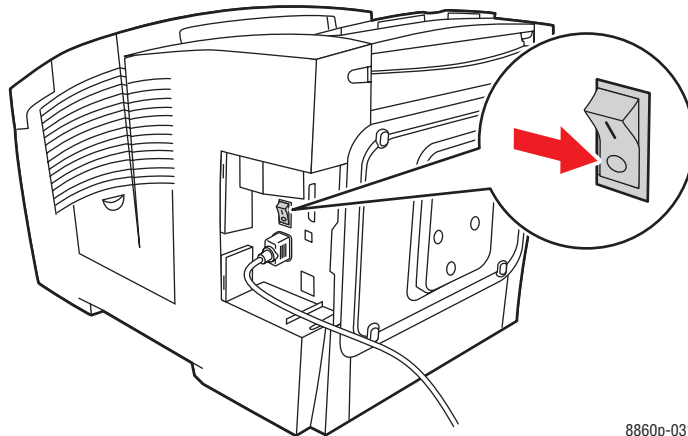
Precautions for Moving the Printer

To view precautions and guidelines for safely moving your printer, see [User Safety](#) on page A-1 in this user guide.

Moving the Printer Within the Office

To move the printer within the office:

1. Close the printer's door and covers.
2. Turn off the printer using the power switch located under the interface cover on the right side of the printer.

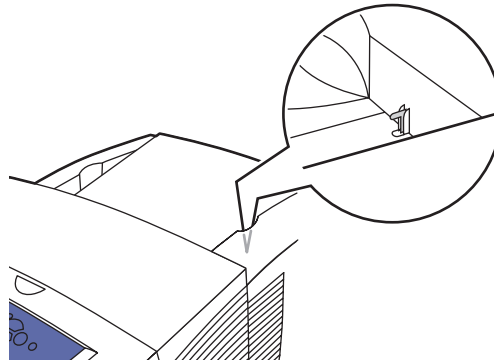


8860p-031

3. Within **10 seconds** after turning off the printer, select **Shut Down for Moving Printer** on the control panel.

Note: If you receive a **Power Down Error-Head not Parked** message at the control panel, the printer is not ready to be moved. If the printhead is not locked, the printer can be damaged during shipment.

4. Verify that the flag in the exit tray is in the raised position. When the flag is raised, the printhead is locked.

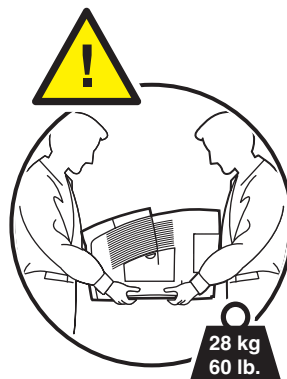


8860p-099

5. Wait for the printer to complete the cool-down period for the ink to solidify. The fan shuts down when it is cool enough to move.

Caution: If you turn off the printer but do not select **Shut Down for Moving Printer** on the control panel, the fan does not run, so you must wait longer for the ink to solidify. Wait at least **30 minutes** for the printer to cool completely before moving or packing it.

6. Unplug the printer after the cool-down cycle is complete.
7. Use the hand holds on each side of the printer to lift it. Move the printer separately from the 525-Sheet Feeder.



Preparing the Printer for Shipment

Before shipping the printer:

1. Remove the maintenance kit and waste tray. See [Removing the Maintenance Kit and Waste Tray](#) on page 5-20.
2. Turn off the printer. See [Turning Off the Printer](#) on page 5-22.
3. Pack the printer. See [Packing the Printer](#) on page 5-24.

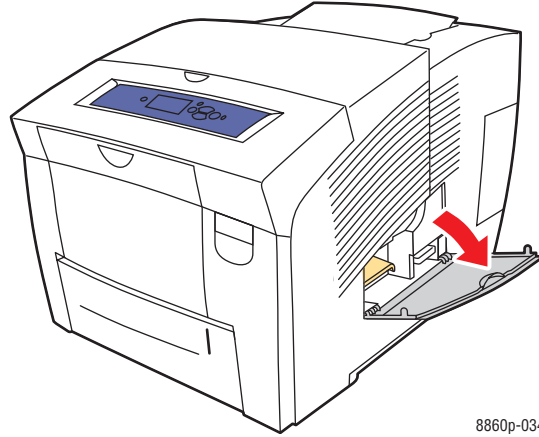
Repack the printer using the original packing material and boxes or a Xerox repackaging kit. Additional instructions for repacking the printer are provided in the repackaging kit. If you do not have all the original packaging, or are unable to repackage the printer, contact your local Xerox service representative.

Caution: Damage to the printer resulting from improper moving or failure to repackage the printer properly for shipment, is not covered by the warranty, service agreement, or Total Satisfaction Guarantee. The Total Satisfaction Guarantee is available in the United States and Canada. Coverage may vary outside these areas; please contact your local representative for details.

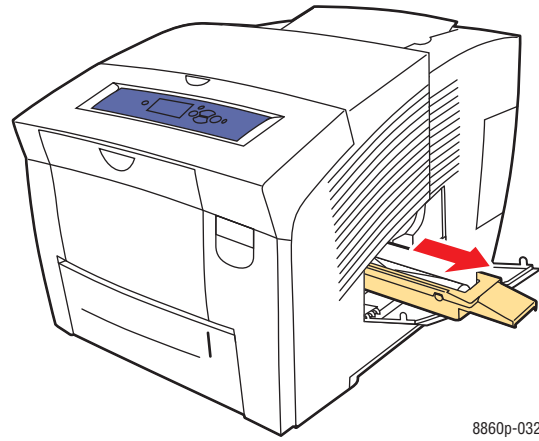
Removing the Maintenance Kit and Waste Tray

Before turning off the printer, remove the maintenance kit and waste tray:

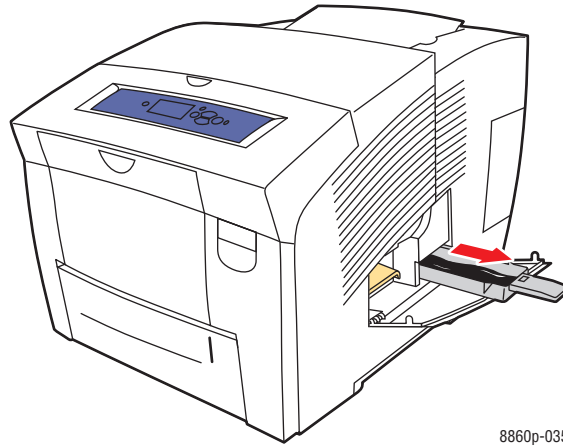
1. Open the door on the right side of the printer.



2. Remove the maintenance kit (labeled **A**) and place it in a plastic bag for storage.

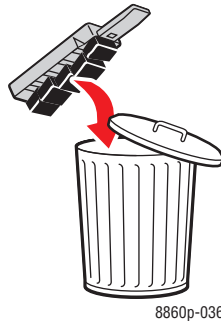


3. Remove the waste tray (labeled **B**) from the waste tray slot.



Warning: The waste tray may be hot; handle it carefully.

4. Empty the waste, and then place the tray in a plastic bag for storage.



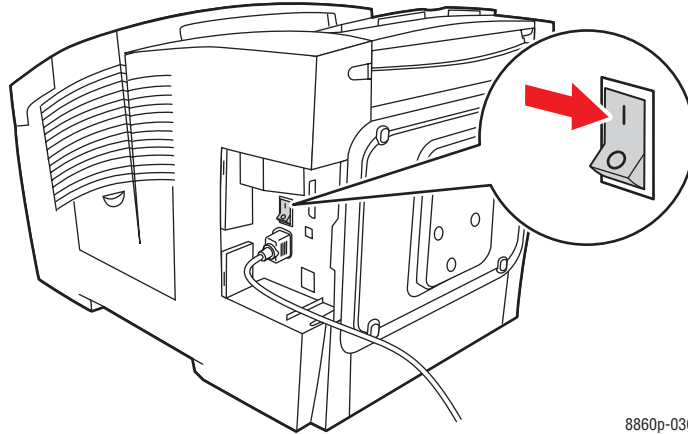
Caution: Shipping the printer with the maintenance kit and waste tray installed can damage the printer.

5. Close the printer's door and covers.

Turning Off the Printer

To turn off the printer:

1. Press the power switch located under the interface cover on the right side of the printer to turn it off.

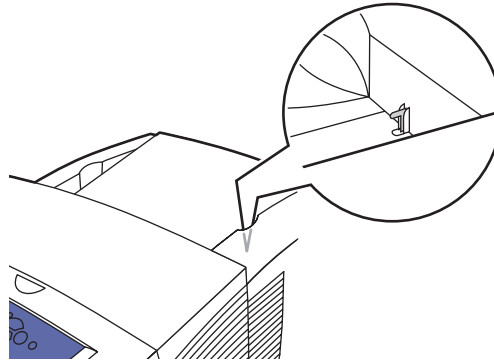


8860p-030

2. Within **10 seconds** after turning off the printer, select **Shut Down for Moving Printer** on the control panel.

Caution: If you receive a **Power Down Error-Head not Parked** message at the control panel, the printer is not ready to be moved. If the printhead is not locked, the printer can be damaged during shipment.

3. Verify that the flag in the exit tray is in the raised position. When the flag is raised, the printhead is locked.



8860p-099

4. Wait for the printer to complete the cool-down period for the ink to solidify. The printer shuts down when it is cool enough to move.
5. Unplug the printer after the cool-down cycle is complete.

Packing the Printer

Repack the printer using the original packing material and box, or a Xerox repackaging kit. If you do not have the original packaging, or are unable to repackage the printer, contact your local Xerox service representative.

Caution: Damage to the printer resulting from improper moving or failure to repackage the printer properly for shipment, is not covered by the warranty, service agreement, or Total Satisfaction Guarantee. The Total Satisfaction Guarantee is available in the United States and Canada. Coverage may vary outside these areas; please contact your local representative for details.

Troubleshooting

6

This chapter includes:

- [Clearing Paper Jams](#) on page 6-2
- [Getting Help](#) on page 6-17

See also:

Troubleshooting video tutorials at www.xerox.com/office/8560Psupport or www.xerox.com/office/8860support

[User Safety](#) on page A-1

Clearing Paper Jams

This section includes:

- Jam at the Exit on page 6-2
- Jam at the Front Cover on page 6-7
- Jam at the Trays on page 6-12

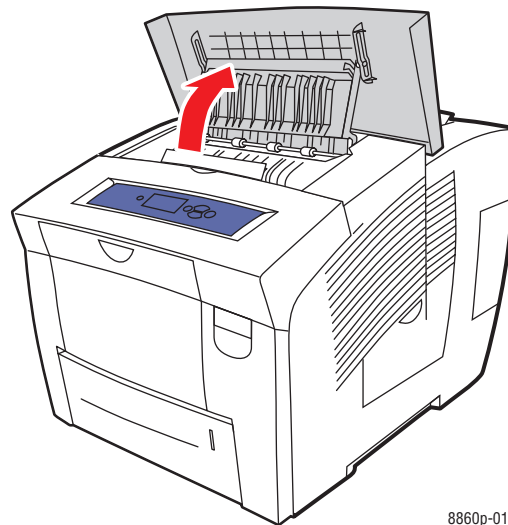
See also:

User Safety on page A-1

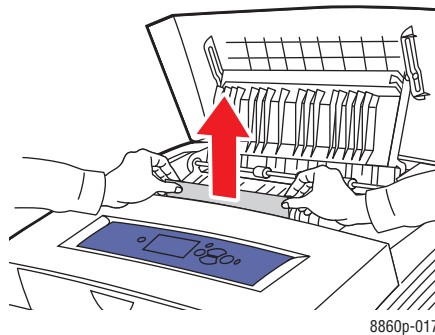
Jam at the Exit

To clear a jam at the exit:

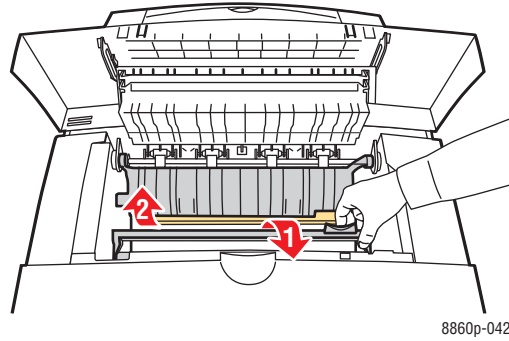
1. Open the exit cover.



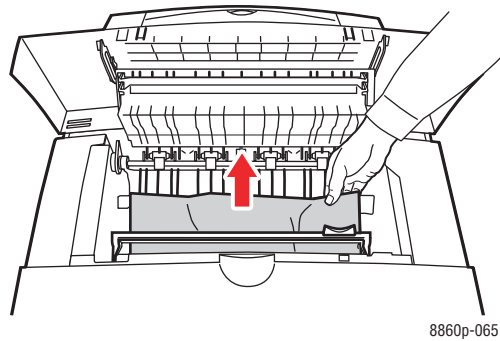
2. Pull the jammed paper slowly out of the printer. Confirm that all paper fragments are removed.



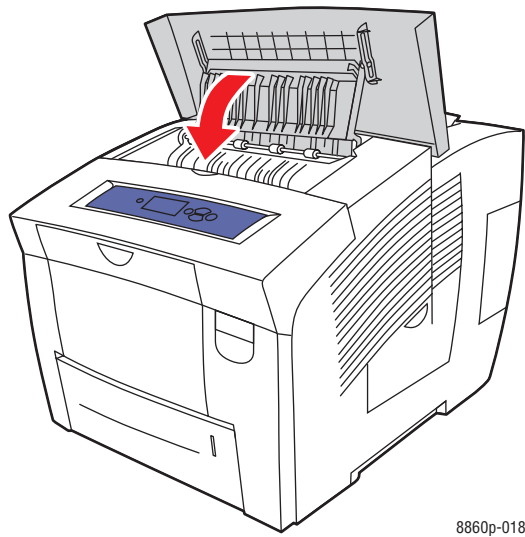
3. If you did not find paper in Step 2, lift the paper guides.



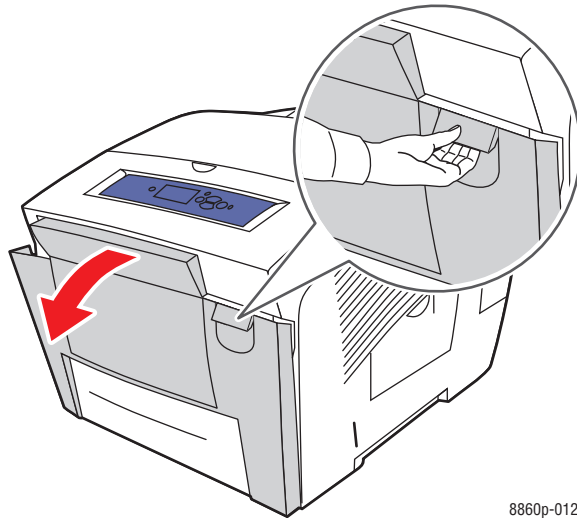
4. Remove any jammed paper.



5. Close the exit cover.

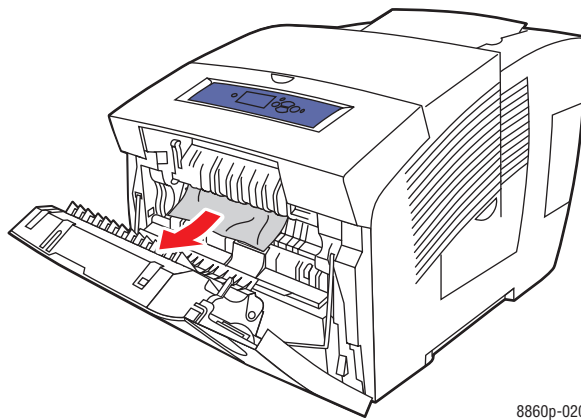


6. If you did not find paper in the previous steps, follow these steps:
 - a. Pull up the latch on the front of the printer to open the front cover.



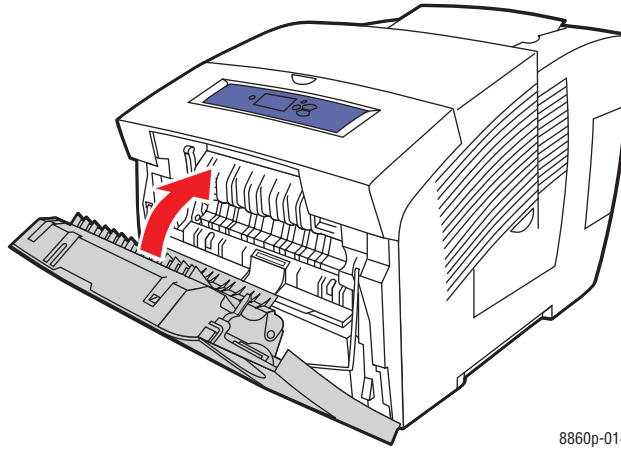
8860p-012

- b. Pull the jammed paper slowly out of the printer. Confirm that all paper fragments are removed.



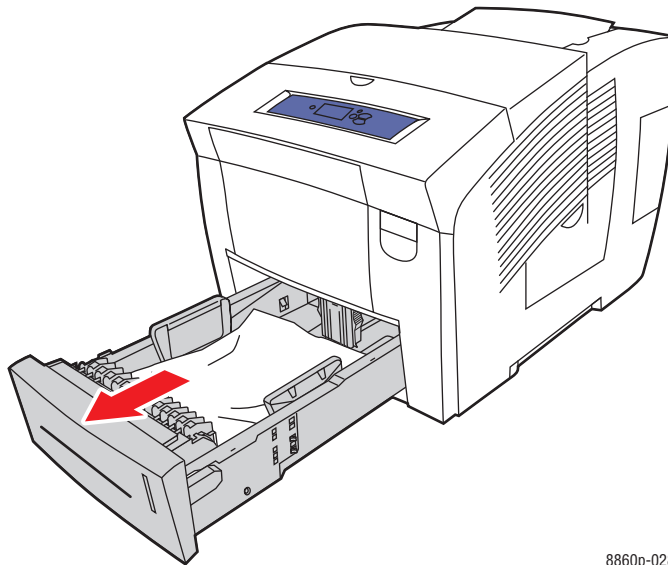
8860p-020

- c. Close the front cover.



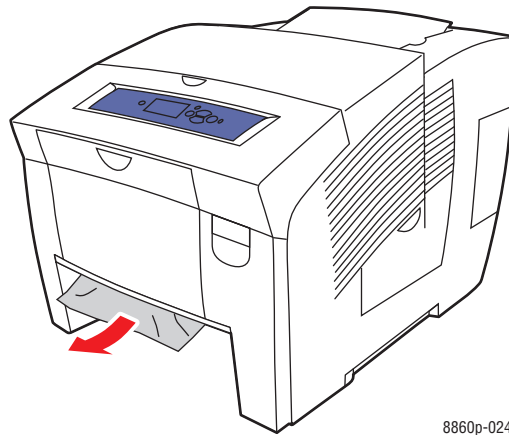
8860p-014

- 7. If you did not find jammed paper in the previous steps, follow these steps:
 - a. Pull all the trays completely out of the printer.



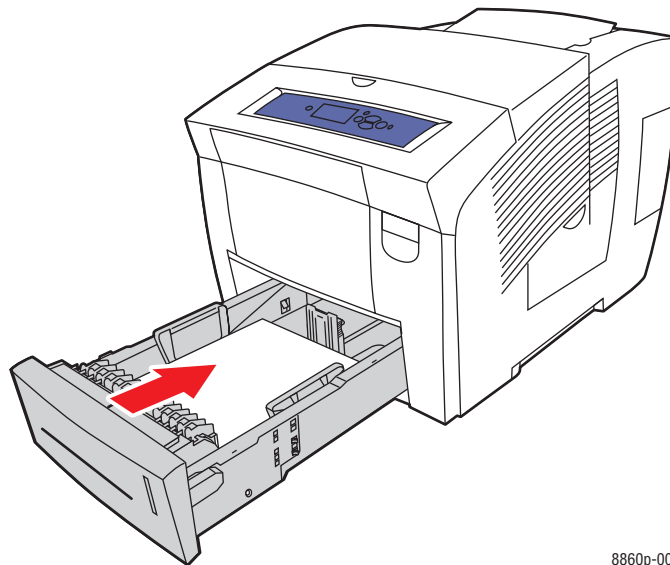
8860p-028

- b.** Remove any jammed paper from inside the tray slot. Confirm that all paper fragments are removed.



8860p-024

- c.** Replace all trays and push each one completely into the printer.

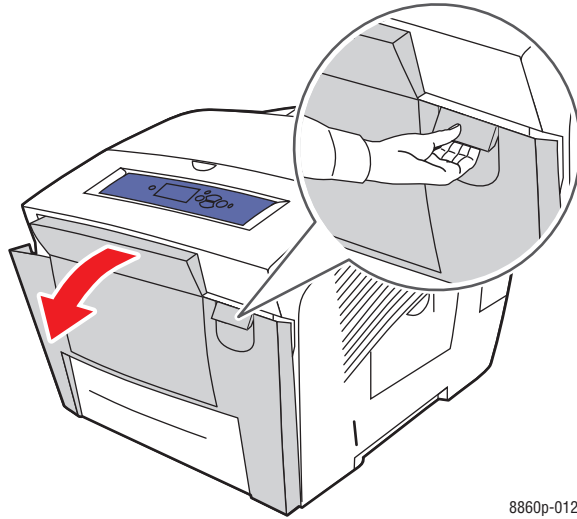


8860p-005

Jam at the Front Cover

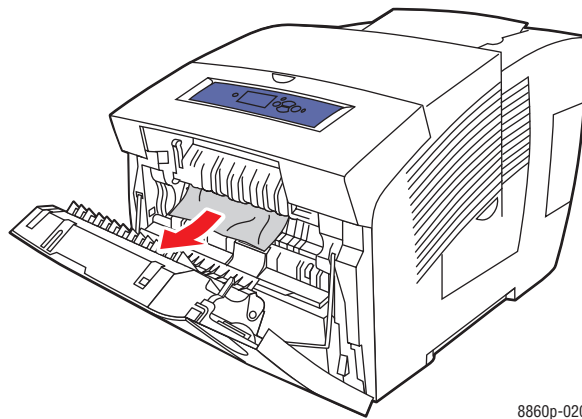
To clear a jam at the front cover:

1. Pull up the latch on the front of the printer to open the front cover.



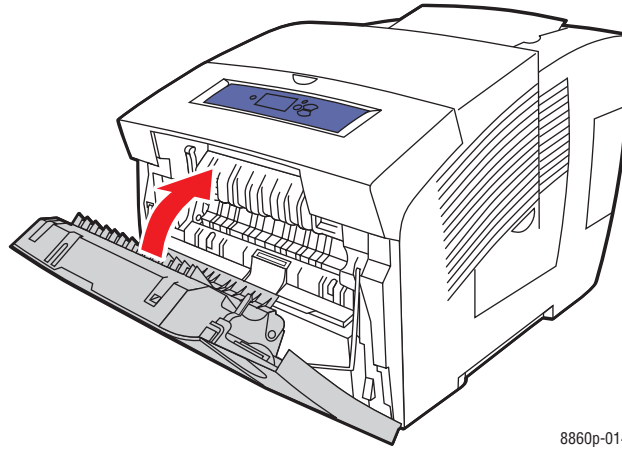
8860p-012

2. Pull the jammed paper slowly out of the printer. Confirm that all paper fragments are removed.



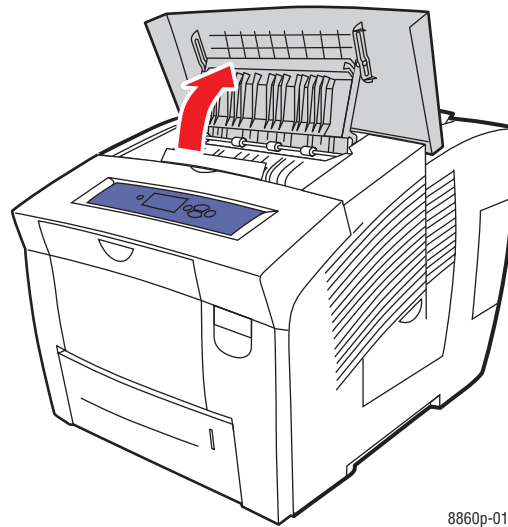
8860p-020

3. Close the front cover.



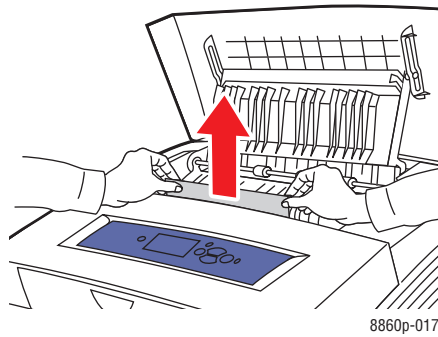
8860p-014

4. If you did not find paper in the previous steps, follow these steps:
 - a. Open the exit cover.

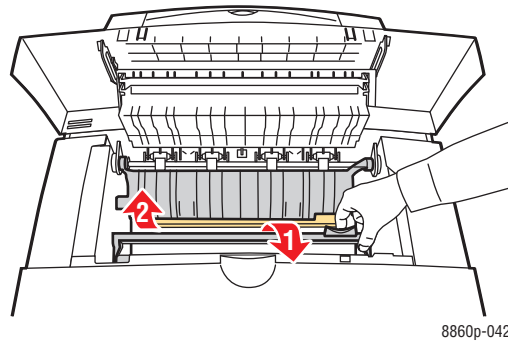


8860p-016

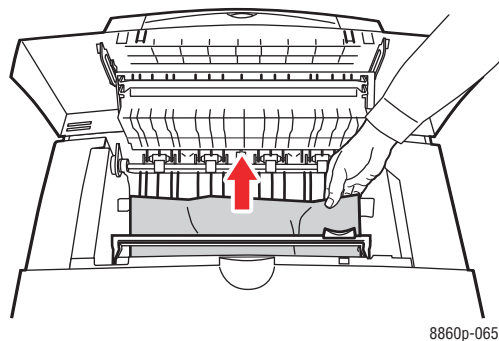
- b. Pull the jammed paper slowly out of the printer. Confirm that all paper fragments are removed.



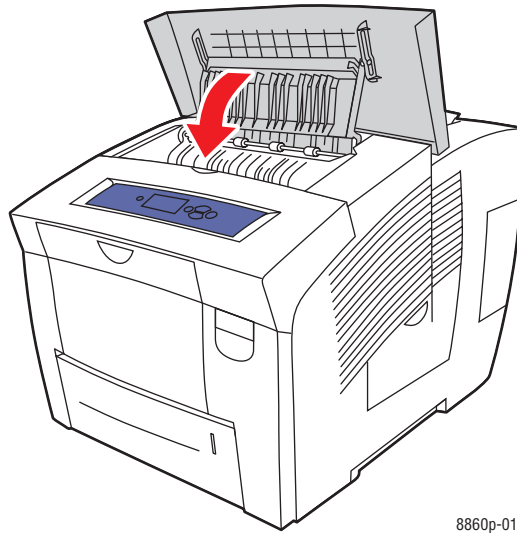
- c. Lift the paper guides.



- d. Remove jammed paper.

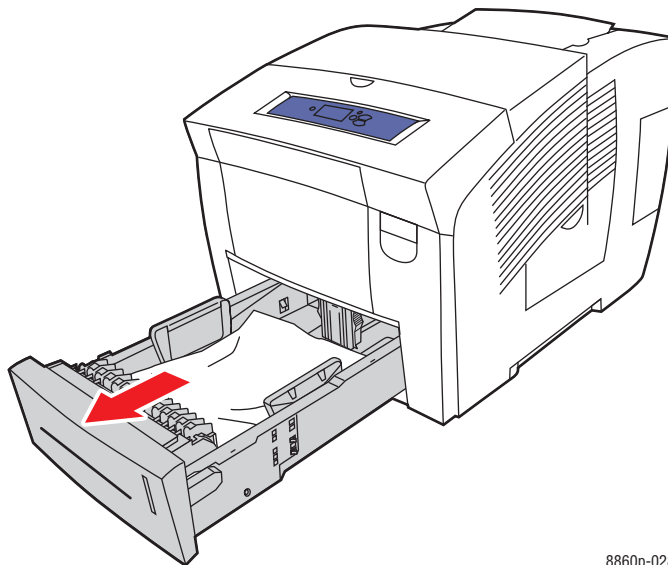


- e. Close the exit cover.



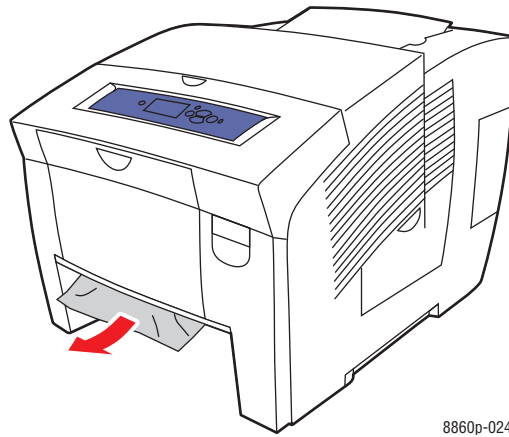
8860p-018

- 5. If you did not find jammed paper in the previous steps, follow these steps:
 - a. Pull all the trays completely out of the printer.



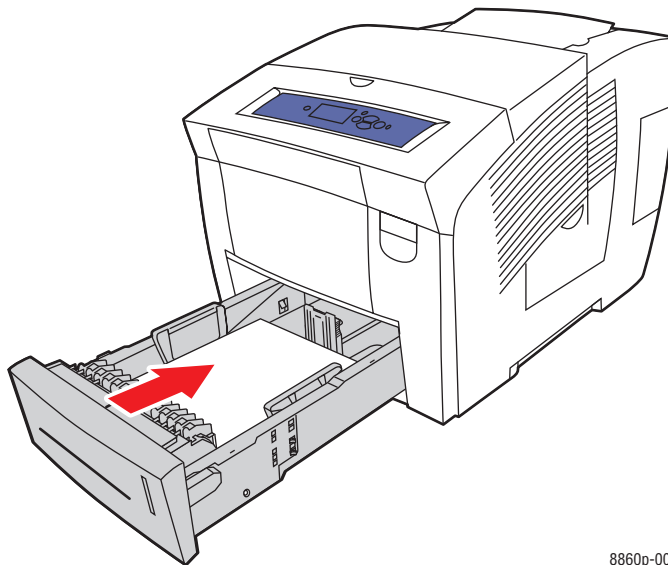
8860p-028

- b. Remove any jammed paper from inside the tray slot. Confirm that all paper fragments are removed.



8860p-024

- c. Replace all trays and push each one completely into the printer.



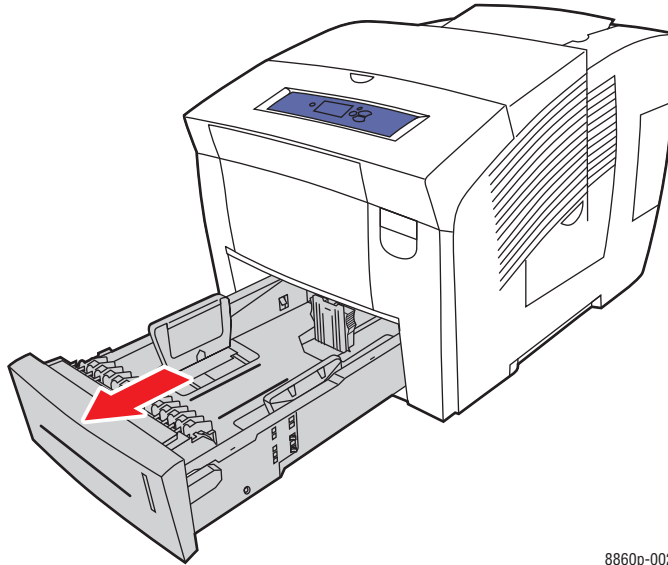
8860p-005

Note: Use only the approved paper type, weight, and size for this tray. Print custom size paper from Tray 1 only.

Jam at the Trays

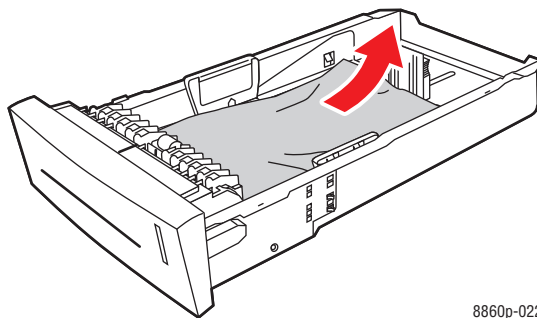
To clear a jam from the tray specified on the control panel:

1. Pull the tray specified on the control panel completely out of the printer.



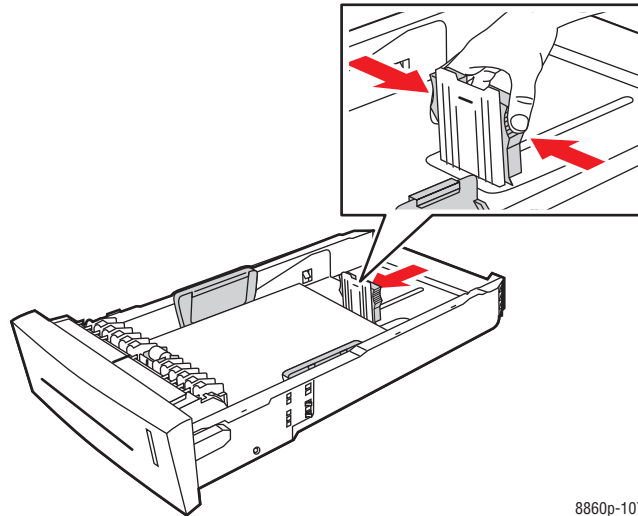
8860p-002

2. Remove the top sheet from the tray.



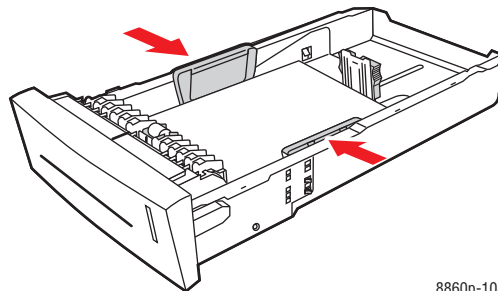
8860p-022

3. Verify that the paper is loaded correctly in the tray. Adjust the length and width tray guides:
 - a. **Length guide:** Press the sides, then slide the guide until the arrow on the guide points to the appropriate paper size imprinted on the bottom of the tray. When properly positioned, the guide clicks into place.



8860p-107

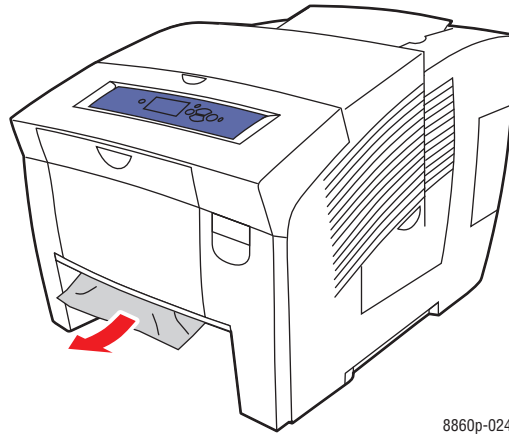
- b. **Width guides:** Slide the width guides until the arrows on the guides point to the appropriate paper size labeled on the bottom of the tray. When properly positioned, the guides click into place.



8860p-108

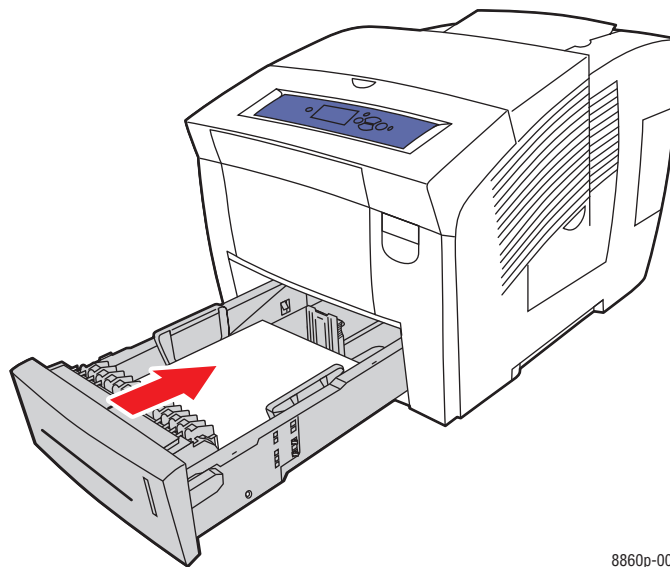
Note: When the paper guides are correctly adjusted, there may be a small space between the paper and the guides.

4. Remove jammed paper inside the tray slot. Confirm that all paper fragments are removed.



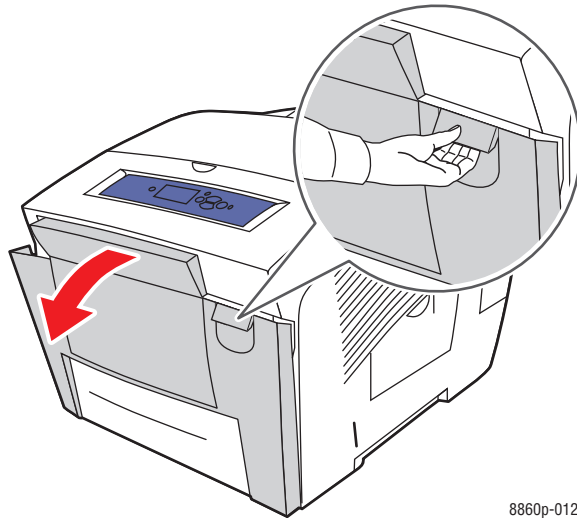
8860p-024

5. Insert the tray into the tray slot and push it completely into the printer.



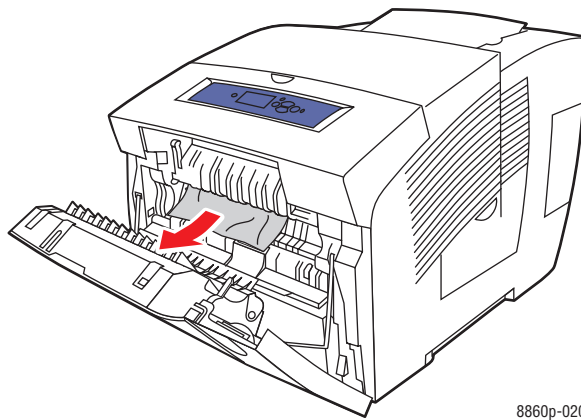
8860p-005

6. If you did not find jammed paper in the previous steps, follow these steps:
 - a. Pull up the latch on the front of the printer to open the front cover.



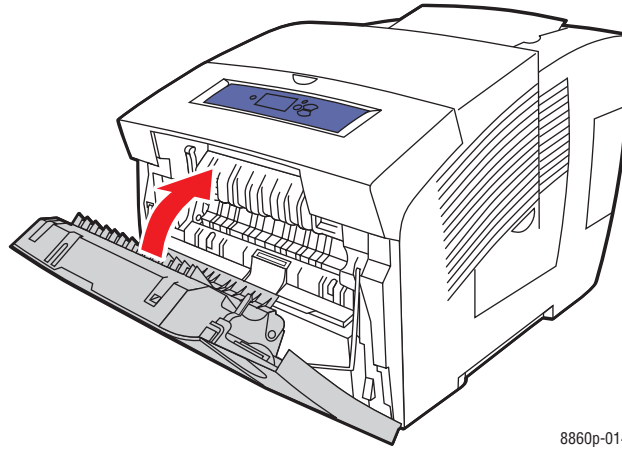
8860p-012

- b. Pull the jammed paper slowly out of the printer. Confirm that all paper fragments are removed.



8860p-020

- c. Close the front cover.



8860p-014

Note: Use only the approved paper type, weight, and size for this tray. Print custom size paper from Tray 1 only.

Getting Help

This section includes:

- [Control Panel Messages](#) on page 6-17
- [PrintingScout Alerts](#) on page 6-18
- [PhaserSMART Technical Support](#) on page 6-18
- [Online Support Assistant](#) on page 6-18
- [Web Links](#) on page 6-19

Xerox provides several automatic diagnostic tools to help you produce and maintain print quality.

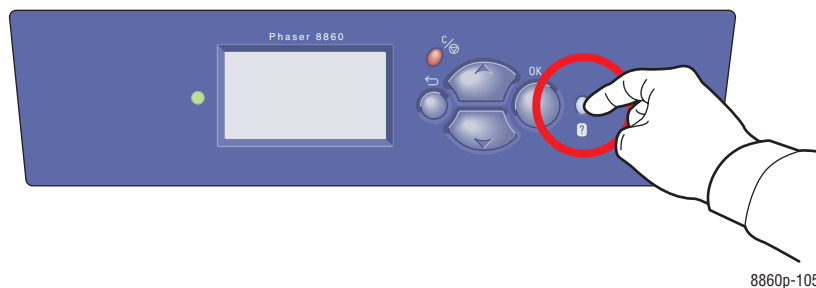
See also:

[Xerox Support Centre](#) on page 1-12

Control Panel Messages

The control panel provides you with information and troubleshooting help. When an error or warning condition occurs, the control panel displays a message informing you of the problem. In many cases, the control panel also displays an animated graphic showing the location of the problem, such as the location of a paper jam.

Press the **Help** button on the control panel to view additional information about the message or menu displayed. The **Help** button is labeled with a ? symbol.



PrintingScout Alerts

PrintingScout is a tool that is installed with your Xerox printer driver. It automatically checks the printer status when you send a print job. If the printer is unable to print your job, PrintingScout automatically displays an alert on your computer screen to let you know that the printer needs attention. Click the alert to view instructions explaining how to fix the problem.

PhaserSMART Technical Support

PhaserSMART Technical Support is an automated, internet-based support system that uses your default web browser to send diagnostic information from your printer to the Xerox website for analysis. PhaserSMART Technical Support examines the information, diagnoses the problem, and proposes a solution. If the problem is not resolved with the solution, PhaserSMART Technical Support assists you in opening a Service Request with Xerox Customer Support.

To access PhaserSMART Technical Support:

1. Open your browser and go to www.phaserSMART.com.
2. Enter your printer's IP address in the browser window.
3. Follow the instructions on the screen.

Online Support Assistant

The Online Support Assistant is a knowledge base that provides instructions and troubleshooting help to solve your printer problems. You can find solutions for print quality, media jams, software installation, and much more.

To access the Online Support Assistant, go to the Xerox Support website for your printer:

- www.xerox.com/office/8560Psupport (Phaser 8560 printer)
- www.xerox.com/office/8860support (Phaser 8860 printer)

Web Links

Xerox provides several websites that offer additional help on your Phaser 8560/8860 printer. A set of Xerox links is installed in your web browser's **Favorites** folder when you install the Xerox printer drivers on your computer. Use the following websites to obtain more information.

Phaser 8560 Printer

Resource	Link
PhaserSMART Technical Support automatically diagnoses problems on your networked printer and proposes solutions:	www.phasersmart.com
Technical support information for your printer, includes online Technical Support, Recommended Media List, Online Support Assistant, driver downloads, documentation, video tutorials, and much more:	www.xerox.com/office/8560Psupport
Supplies for your printer:	www.xerox.com/office/8560Psupplies
A resource for tools and information, such as interactive tutorials, printing templates, helpful tips, and customized features to meet your individual needs:	www.xerox.com/office/businessresourcecenter
Local sales and support center:	www.xerox.com/office/worldcontacts
Printer registration:	www.xerox.com/office/register
Material Safety Data Sheets identify materials, and provide information on safely handling and storing hazardous materials:	www.xerox.com/msds (U.S. and Canada) www.xerox.com/environment_europe (European Union)
Information about recycling supplies:	www.xerox.com/gwa

Phaser 8860 Printer

Resource	Link
PhaserSMART Technical Support automatically diagnoses problems on your networked printer and proposes solutions:	www.phasersmart.com
Technical support information for your printer, includes online Technical Support, Recommended Media List, Online Support Assistant, driver downloads, documentation, video tutorials, and much more:	www.xerox.com/office/8860support
Supplies for your printer:	www.xerox.com/office/8860supplies
A resource for tools and information, such as interactive tutorials, printing templates, helpful tips, and customized features to meet your individual needs:	www.xerox.com/office/businessresourcecenter
Local sales and support center:	www.xerox.com/office/worldcontacts
Printer registration:	www.xerox.com/office/register
Material Safety Data Sheets identify materials, and provide information on safely handling and storing hazardous materials:	www.xerox.com/msds (U.S. and Canada) www.xerox.com/environment_europe (European Union)
Information about recycling supplies:	www.xerox.com/gwa

User Safety

A

Your printer and the recommended supplies have been designed and tested to meet strict safety requirements. Attention to the following information ensures the continued safe operation of your printer.

Electrical Safety

- Use the power cord supplied with your printer.
- Plug the power cord directly into a properly grounded electrical outlet. Make sure each end of the cord is securely connected. If you do not know if an outlet is grounded, ask an electrician to check the outlet.
- Do not use a ground adapter plug to connect the printer to an electrical outlet that does not have a ground connection terminal.
- Do not use an extension cord or power strip.
- Verify that the printer is plugged into an outlet that is capable of providing the correct voltage and power. Review the printer's electrical specification with an electrician if necessary.

Warning: Avoid the potential of electrical shock by ensuring that the printer is properly grounded. Electrical products may be hazardous if misused.

- Do not place the printer in an area where people might step on the power cord.
- Do not place objects on the power cord.
- Do not block the ventilation openings. These openings are provided to prevent overheating of the printer.
- Do not drop paper clips or staples into the printer.

Warning: Do not push objects into slots or openings on the printer. Making contact with a voltage point or shorting out a part could result in fire or electrical shock.

If you notice unusual noises or odors:

1. Turn off the printer immediately.
2. Disconnect the power cord from the electrical outlet.
3. Call an authorized service representative to correct the problem.

The power cord is attached to the printer as a plug-in device at the back of the printer. If it is necessary to disconnect all electrical power from the printer, disconnect the power cord from the electrical outlet.

Warning: Do not remove the covers or guards that are fastened with screws unless you are installing optional equipment and are specifically instructed to do so. Power should be **OFF** when performing these installations. Disconnect the power cord when removing covers and guards for installing optional equipment. Except for user-installable options, there are no parts that you can maintain or service behind these covers.

Note: Leave the printer on for optimum performance; it does not pose a safety hazard.

The following are hazards to your safety:

- The power cord is damaged or frayed.
- Liquid is spilled into the printer.
- The printer is exposed to water.

If any of these conditions occur, do the following:

1. Turn off the printer immediately.
2. Disconnect the power cord from the electrical outlet.
3. Call an authorized service representative.

Maintenance Safety

- Do not attempt any maintenance procedure that is not specifically described in the documentation supplied with your printer.
- Do not use aerosol cleaners. The use of supplies that are not approved may cause poor performance and could create a hazardous condition.
- Do not burn any consumables or routine maintenance items. For information on Xerox supplies recycling programs, go to www.xerox.com/gwa.

Operational Safety

Your printer and supplies were designed and tested to meet strict safety requirements. These include safety agency examination, approval, and compliance with established environmental standards.

Your attention to the following safety guidelines helps to ensure the continued, safe operation of your printer.

Printer Location

- Place the printer in a dust-free area within a temperature range of 50° F to 90° F (10° C to 32° C) and a relative humidity range of 10 percent to 80 percent.
- Place the printer in an area where there is adequate space for ventilation, operation, and servicing.
- Do not place the printer on a carpeted floor. Airborne carpet fibers can be pulled into the printer and cause print-quality problems.
- Do not place the printer near a heat source.
- Do not place the printer in direct sunlight to avoid exposure to light-sensitive components.
- Do not place the printer where it is directly exposed to the cold air flow from an air conditioning system.
- Do not place the printer on a file cabinet. Closing file cabinet drawers causes jarring and can create light stripes in prints.

Printer Clearance

The recommended minimal spacing is:

- 20.00 cm (7.5 in.) above the printer
- 10.16 cm (4.0 in.) behind the printer
- 10.16 cm (4.0 in.) on the left side of the printer
- 40.00 cm (15.5 in.) on the right side of the printer to allow access to the maintenance kit and waste tray

Operational Guidelines

- Do not block or cover the slots and openings on the printer. The printer can overheat without adequate ventilation.
- Use the printer at elevations below 2,438 m (8,000 ft.).
- Place the printer on a level, solid, non-vibrating surface with adequate strength to hold the weight of the printer. The base printer weight, without any packaging materials, is approximately 28 kg (60 lb.). The printer should be within 2° horizontal with all four feet in solid contact with the surface.

Printing Safety Guidelines

- Keep hands, hair, neckties, etc., away from the exit and feed rollers.
- Do not remove the paper source tray that you select in either the printer driver or control panel.
- Do not open the doors when the printer is printing.
- Do not move the printer when it is printing.

Printer Supplies

- Use the supplies specifically designed for your printer. The use of unsuitable materials may cause poor performance and a possible safety hazard.
- Follow all warnings and instructions marked on, or supplied with, the printer, options, and supplies.

Caution: Use of non-Xerox supplies is not recommended. The Xerox Warranty, Service Agreements, and Total Satisfaction Guarantee do not cover damage, malfunction, or degradation of performance caused by use of non-Xerox supplies, or the use of Xerox supplies not specified for this printer. The Total Satisfaction Guarantee is available in the United States and Canada. Coverage may vary outside these areas; please contact your local representative for details.

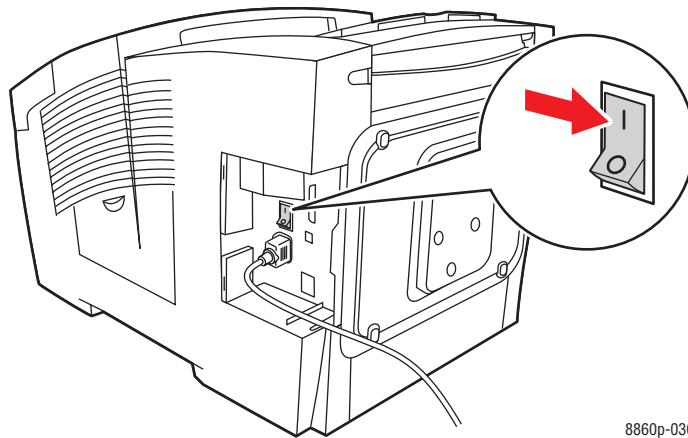
Moving the Printer

Follow these guidelines to avoid injuring yourself or damaging the printer:

- Keep the printer level. Tilting the printer can cause the ink to spill inside.
- Use the **Shut Down** mode on the control panel for best results.
- Always allow the printer to cool before it is moved to avoid ink spills that can damage the printer.

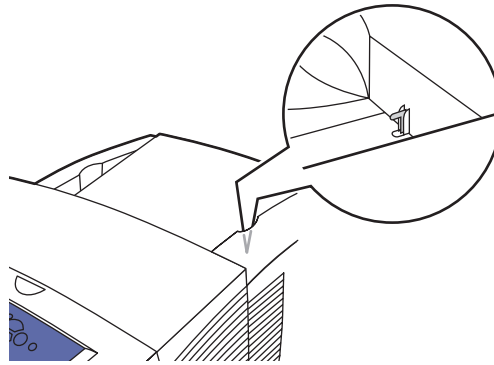
Warning: Parts of the printer may be hot. To avoid personal injury or damage to the printer, allow **30** minutes for it to cool down before moving or packing the printer. This allows the ink to solidify.

- Always turn off the printer using the power switch, located under the interface cover on the right side of the printer. Unplug all cables and cords. Never turn off the printer by pulling the power cord or using a power-strip with an on/off switch.



8860p-030

- Never move the printer if you receive a **Power Down Error-Head not Parked** message on the control panel. The printer is not ready to be moved. If the printhead is not locked, the printer can be damaged during shipment.
- Verify that the printhead is locked. When the flag in the exit tray is in the raised position, the printhead is locked.



8860p-099





- Always move the printer separately from the lower tray assembly.
- Always use two people to lift the printer.



- Do not place any food or liquids on the printer.

Caution: Damage to the printer resulting from improper moving or failure to repackage the printer properly for shipment, is not covered by the warranty, service agreement, or Total Satisfaction Guarantee. The Total Satisfaction Guarantee is available in the United States and Canada. Coverage may vary outside these areas; please contact your local representative for details.

Safety Symbols Marked on Product

	Use caution (or draws attention to a particular component). See the manual(s) for information.
	Avoid pinching fingers in the printer. Use caution to avoid personal injury.
	Hot surface on or in the printer. Use caution to avoid personal injury.
	Do not touch.

Product Recycling and Disposal for North America

Xerox operates a worldwide equipment takeback and reuse/recycle program. Contact your Xerox sales representative (1-800-ASK-XEROX) to determine whether this xerox product is part of the program. For more information about Xerox environmental programs, visit www.xerox.com/environment.

If you are managing the disposal of your Xerox product, please note that the product may contain lead, mercury, perchlorate, and other materials whose disposal may be regulated to environmental considerations. The presence of lead, mercury, and perchlorate is fully consistent with regulations applicable at the time that the product was placed on the market. For disposal information, contact your local authorities. Perchlorate Material - This product may contain one or more Perchlorate-containing devices, such as batteries. Special handling may apply. Please see www.dtsc.ca.gov/hazardouswaste/perchlorate.

Index

Numerics

- 2nd Side option, 3-29
- 2-sided printing, 3-27
 - automatic, 3-27
 - binding edge options, 3-28
 - manual, 3-29
 - selecting, 3-28

A

- adding ink, 5-2
- adhesive strip envelopes, 3-4
- adjusting color, 4-4
- Advanced Features Guide, 1-10
- AutoIP
 - dynamically setting the printer's IP address, 2-6
 - manually setting the printer's IP address, 2-7
- automatic color correction, 4-4
- automatically setting the printer's IP address, 2-6
- available printer drivers, 2-9

B

- basic printing, 3-2
- binding edge printing options, 3-28
- Black and White color correction, 4-4
- browser
 - Favorites folder, 6-19

C

- card stock paper, 3-17
- CentreWare IS
 - changing or modifying the printer's IP address, 2-8
 - creating custom paper types, 3-61
 - enabling DHCP, 2-6
 - setting the printer's IP address
 - dynamically, 2-6
- changing the IP address using
 - CentreWare IS, 2-8
- choosing a network connection, 2-3

- cleaning
 - maintenance kit wiper blade, 5-12
 - paper release blade, 5-10
 - printer, 5-2
 - the outside of the printer, 5-14
- CMYK sampler pages, 1-9
- color correction, 4-4
- color sampler pages, 1-9
- colored paper, 3-9
- colors
 - adjusting, 4-4
 - automatic correction, 4-4
 - Black and White, 4-4
 - incorrect, 4-10
 - Office Color, 4-4
 - PANTONE colors do not match, 4-11
 - predominant light stripes, 4-9
 - Press Match, 4-4
 - random light stripes, 4-8
 - smear, 4-7
 - smudged, 4-7
 - too light or too dark on transparency images, 4-10
 - using printer settings, 4-4
 - wrong, 4-10
- Commercial color correction, 4-4
- configuration card, 1-3
- Configuration page, 1-5
- configuring the network address, 2-5
- connection
 - Ethernet, 2-3
 - USB, 2-4
- consumables, 5-15
- control panel, 1-2, 1-6
 - buttons, 1-7
 - color sampler pages, 1-9
 - Configuration page, 1-8
 - controlling print quality, 4-2
 - features and layout, 1-6
 - help, 1-10, 6-17
 - information pages, 1-8
 - layout, 1-7
 - Menu Map, 1-7
 - messages, 6-17
 - moving printer messages, 5-22
 - sample pages, 1-8
 - supplies message, 5-16

- controlling print quality, 4-2
- creating custom paper types, 3-61
- custom paper types
 - creating, 3-61
- custom size paper, 3-9, 3-57, 3-61
 - printing from Tray 1, 3-58
 - supported for Tray 1, 3-57

D

- default router/gateway address, 2-6
- DHCP
 - enabled by default on Phaser printers, 2-6
 - manually setting the printer's IP address, 2-7
 - setting the printer's IP address dynamically, 2-6
- drivers
 - available, 2-9
 - installing, 2-9
 - Macintosh, 2-9
 - Macintosh OS X version 10.3, 2-11
 - Macintosh OS X version 10.3 and higher, 2-11
 - Macintosh OS X version 10.4, 2-12
 - PCL, 2-9
 - PostScript, 2-9
 - UNIX, 2-9
 - Windows 2000 or later, 2-10
 - Xerox Support Centre, 1-12
- duradocument paper, 3-9, 3-17
- dynamically setting the printer's IP address, 2-6

E

- electrical safety, A-1
- emptying the waste tray, 5-5
- Enhanced print-quality mode, 4-2
- envelopes, 3-9, 3-17, 3-27, 3-38
 - guidelines for printing, 3-38
 - margins, 3-6, 3-8
 - printing from Tray 1, 3-39
 - with windows, metal clasps, side seams, adhesive strips, 3-4
- error messages, 1-10
- Ethernet connection, 1-3, 2-3
- Euroscale color correction, 4-4
- exit cover, 1-2, 4-9, 6-2
- exit cover release, 1-2

F

- Fast Color print-quality mode, 4-2
- features
 - printer configurations, 1-4
 - standard, 1-4
- feeding the paper manually, 3-16
- format IP address, 2-6
- front cover release, 1-2

G

- getting help
 - Online Support Assistant, 1-10
 - PhaserSMART, 1-10
 - PrintingScout, 6-18
 - technical support, 1-10
 - web links, 6-19
- glossy paper, 3-51
 - printing from Tray 1, 3-52
 - printing from Trays 2-4, 3-54
 - printing guidelines, 3-51
- guidelines
 - for printing envelopes, 3-38
 - for printing glossy paper, 3-51
 - for printing labels, 3-45
 - paper storage, 3-5
 - paper usage, 3-4

H

- hard drive, 1-3
- help
 - Advanced Features Guide, 1-10
 - printing templates, 6-19
 - printing tutorials, 6-19
 - resources, 1-10
 - Xerox web links, 1-10
- High-Resolution/Photo print-quality mode, 4-2

I

- information
 - about your printer, 1-10
 - web links, 1-10
- information pages, 1-8, 1-10
 - CentreWare IS, 1-8
 - color sampler pages, 1-9
 - Configuration page, 1-8
 - Menu Map, 1-7
 - Paper Tips page, 3-5, 4-10
 - sample pages, 1-8

- ink
 - adding, 5-2
 - broken sticks, 5-2
 - jams, 5-2
 - minimizing usage, 5-15
 - packaging, 5-2
 - replacing, 5-2
 - ink loader, 1-2
 - ink low message, 5-2
 - ink out message, 5-2
 - ink-loading bins, 5-2
 - inside the printer, 1-3
 - Installation Guide, 1-10
 - installing printer drivers, 2-9
 - Mac OS X, version 10.3, 2-11
 - Mac OS X, version 10.3 and higher, 2-11
 - Mac OS X, version 10.4, 2-12
 - Windows 2000 or later, 2-10
 - interface cover, 1-2
 - IP address
 - changing or modifying using
 - CentreWare IS, 2-8
 - dynamically setting, 2-6
 - format, 2-6
 - manually setting, 2-7
 - CentreWare IS, 2-8
 - control panel, 2-7
 - router address, 2-6
 - setting automatically, 2-6
 - setting manually, 2-7
 - IPv6, 2-14
 - automatic address assignment, 2-16
 - enabling, 2-14
 - setting the Interface ID, 2-15
 - ISO (coated, uncoated) color correction, 4-4
- J**
- jams
 - at the exit, 6-2
 - at the front cover, 6-7
 - at the trays, 6-12
 - clearing, 6-2
 - preventing, 6-2
 - Japan Color color correction, 4-4
 - jet substitution mode, 4-8
- job
 - individual printing options
 - Macintosh, 3-25
 - Windows, 3-23
 - selecting a print-quality mode, 4-2
 - selecting printing options
 - Macintosh, 3-25
 - Windows, 3-23
- K**
- knowledge base, 6-18
- L**
- labels, 3-9, 3-17, 3-27, 3-45
 - guidelines for printing, 3-45
 - printing from Tray 1, 3-46
 - LCD Display color correction, 4-4
 - lead, A-7
 - letterhead paper, 3-9, 3-17
 - light stripes, 4-8, 4-9
 - loading paper
 - Tray 1, 3-9
 - Trays 2-4, 3-17
 - Local Area Network (LAN), 2-5
- M**
- Macintosh
 - driver options
 - ColorSync, 3-25
 - Copies & Pages, 3-25
 - Cover Page, 3-25
 - Image Quality, 3-25
 - Job Types, 3-25
 - Layout, 3-25
 - Paper Feed, 3-25
 - Paper Handling, 3-25
 - Printer Features, 3-25
 - PostScript driver settings, 3-25
 - selecting manual feed, 3-16
 - selecting printing options for an individual job, 3-25
 - Xerox Support Centre, 1-12
 - Macintosh OS X version 10.3
 - Bonjour connection, 2-11
 - printer drivers, 2-11
 - USB connection, 2-11

- Macintosh OS X version 10.4, 2-12
 - Bonjour connection, 2-12
 - USB connection, 2-12
- Macintosh OS X, version 10.3 and higher printer driver, 2-11
- maintenance and cleaning, 5-2
- maintenance kit, 1-3, 4-9, 5-2, 5-15, 5-19, 5-20
 - extended-capacity kits, 5-15
 - remaining life, 5-15
 - replacing, 5-8
 - wiper blade
 - cleaning, 5-12
- manual 2-sided printing, 3-29
- manual feed, 3-16
- manually setting the printer's IP address, 2-7
 - overrides AutoIP, 2-7
 - overrides DHCP, 2-7
- margins, 3-6, 3-8, 3-57
- Material Safety Data Sheets, 6-19
- media capacity
 - Tray 1, 3-9
 - Trays 2-4, 3-17
- media supported, 3-3
- Menu Map, 1-7
- menu selection, 1-10
- mercury, A-7
- messages
 - control panel, 6-17
 - PrintingScout, 6-18
- metal clasp envelopes, 3-4
- minimizing ink usage, 5-15
- mode
 - Enhanced, 4-2
 - Fast Color, 4-2
 - High-Resolution/Photo, 4-2
 - print quality, 4-2
 - Standard, 4-2
- modifying the IP address using CentreWare IS, 2-8
- moving the printer, A-5
 - precautions, 5-17
 - preparing for shipment, 5-19
 - print head, 5-22
 - repacking, 5-17
 - within the office, 5-17

N

- network
 - address
 - automatically setting the IP address, 2-6
 - configuring, 2-5
 - dynamically setting the IP address, 2-6
 - enable or disable DHCP or AutoIP protocol at the control panel, 2-6
 - enable or disable DHCP protocol using CentreWare IS, 2-6
 - setting without DNS server, 2-7
 - choosing a network connection, 2-3
 - configuring the network address, 2-5
 - connection, 2-3
 - Ethernet, 2-3
 - creating a Local Area Network (LAN), 2-5
 - manually setting IP address, 2-7
 - mask, 2-6
 - setup and configuration, 2-2
 - TCP/IP and IP addresses, 2-5

O

- Office Color color correction, 4-4
- Online Support Assistant, 1-10
- operating systems
 - printer drivers, 2-9
- operational safety, A-3
- options
 - additional trays, 1-5
 - hard drive, 1-5
 - memory, 1-5
 - printing, 3-22
- ordering supplies, 5-15

P

- packing the printer, 5-24
- PANTONE colors, 4-11
- paper
 - 2nd side, 3-29
 - card stock, 3-17
 - custom sizes, 3-57, 3-61
 - cutouts or perforations, 3-4
 - damaging to the printer, 3-4
 - duradocument, 3-17
 - envelopes, 3-17, 3-38
 - glossy, 3-51
 - guidelines for printing glossy paper, 3-51
 - jams, 6-2
 - labels, 3-17, 3-45
 - letterhead, 3-17
 - loading in the paper trays, 3-9
 - manual feed, 3-16
 - margins, 3-6, 3-8, 3-57
 - Paper Tips page, 3-5, 4-7, 4-10
 - photocopied, 3-4
 - porous, 3-4
 - pre-printed, 3-17, 3-29
 - pre-punched hole in center or edge, 3-4
 - printing on specialty media, 3-17, 3-31
 - stapled, 3-4
 - storage guidelines, 3-5
 - supported, 3-3, 3-5, 3-6
 - supported sizes and weights, 3-5
 - transparencies, 3-17, 3-31
 - tray capacity, 3-9, 3-17
 - trifold brochures, 3-17
 - types, 3-3
 - creating custom types, 3-61
 - usage guidelines, 3-4
- paper release blades
 - cleaning, 5-10
- Paper Tips page, 4-10
- parts of the printer, 1-2
- PCL fonts, 1-4
- perchlorate, A-7
- perforations, 3-4
- PhaserSMART, 1-10, 6-19
 - technical support, 6-18
- photocopied paper, 3-4
- plain paper, 3-9
- porous paper, 3-4
- PostScript fonts, 1-4
- power cord connection, 1-3
- power switch, 1-3
- precautions for moving the printer, 5-17
- predominate light stripes, 4-9
- preparing the printer for shipment, 5-19
- pre-printed paper, 3-9, 3-17, 3-29
- pre-punched paper, 3-4, 3-9
- Press Match color correction, 4-4
- print
 - adjusting color, 4-4
 - colors wrong, 4-10
 - light stripes, 4-9
 - smudges or smears, 4-7
- print quality
 - jet substitution mode, 4-8
 - modes, 4-2
 - PANTONE colors do not match, 4-11
 - problems
 - solving, 4-6
 - selecting mode in supported driver, 4-2
- print speed (pages per minute), 1-4
- printer
 - adjusting color settings, 4-4
 - advanced features, 1-5
 - changing or modifying the IP address
 - using CentreWare IS, 2-8
 - cleaning the outside, 5-14
 - clearance, A-3
 - configuration card, 1-3
 - Configuration page, 1-5
 - configurations, 1-4, 1-5
 - connection, 1-4
 - control panel, 1-2
 - features, 1-6
 - Ethernet connection, 1-3
 - exit cover, 1-2
 - exit cover release, 1-2
 - features, 1-4
 - fonts, 1-4
 - front cover release, 1-2
 - front-right view, 1-2
 - information resources, 1-10
 - ink loader, 1-2
 - interface cover, 1-2

- location, A-3
- maintenance, 5-2
- maintenance kit, 1-3
- maximum print speed, 1-4
- maximum resolution, 1-4
- Menu Map, 1-7
- moving, 5-17, A-5
- optional feeder trays, 1-2
- optional hard drive, 1-3
- options, 1-5
- original packing material, 5-24
- paper that can damage, 3-4
- power cord connection, 1-3
- power switch, 1-3
- precautions for moving, 5-17
- preparing for shipment, 5-19
- print speed (pages per minute), 1-4
- printhead, 5-22
- RAM memory slots, 1-3
- rear view, 1-3
- recycling and disposal, A-7
- registration, 6-19
- repackaging kit, 5-19
- repacking, 5-17
- right side view, 1-3
- side door, 1-2
- standard features, 1-4
- supplies, A-4
- top cover, 1-2
- trays, 1-2, 1-4
- turning off, 5-22
- upgrades, 1-5
- USB connection, 1-3
- views, 1-2, 1-3
- waste tray, 1-3
- printer driver
 - Advanced tab, 3-23
 - available, 2-9
 - Color Options tab, 3-23
 - ColorSync option, 3-25
 - controlling print-quality, 4-2
 - Copies & Pages option, 3-25
 - Cover Page option, 3-25
 - Image Quality option, 3-25
 - installing, 2-9
 - Job Types option, 3-25
 - Layout option, 3-25
 - Layout/Watermark tab, 3-23
 - Macintosh, 2-9
 - Macintosh OS X version 10.3, 2-11
 - Macintosh OS X version 10.4, 2-12
 - operating systems, 2-9
 - page description languages, 2-9
 - Paper Feed option, 3-25
 - Paper Handling option, 3-25
 - Paper/Output tab, 3-23
 - PCL, 2-9
 - PostScript, 2-9
 - Printer Features, 3-25
 - UNIX, 2-9
 - Windows 2000 or later, 2-10
 - Xerox Support Centre, 1-12
- printhead, 5-22
- printing
 - Advanced tab, 3-23
 - basics, 3-2
 - binding edge options, 3-28
 - card stock, 3-17
 - cleaning, 5-2
 - Color Options tab, 3-23
 - colored paper, 3-9
 - custom size paper, 3-9, 3-57
 - duradocument paper, 3-9, 3-17
 - envelopes, 3-9, 3-17, 3-38
 - glossy paper, 3-51
 - labels, 3-9, 3-17, 3-45
 - Layout/Watermark tab, 3-23
 - letterhead paper, 3-9, 3-17
 - options, 3-22
 - Paper/Output tab, 3-23
 - plain paper, 3-9
 - pre-printed paper, 3-9
 - pre-punched paper, 3-9
 - restrictions, 3-26
 - safety guidelines, A-4
 - selecting 2-sided, 3-28
 - selecting individual job printing options
 - Macintosh, 3-25
 - selecting options, 3-22
 - selecting preferences, 3-22
 - side two of pre-printed paper, 3-29
 - specialty media, 3-9, 3-17
 - templates, 6-19
 - transparencies, 3-9, 3-17, 3-31
 - trifold brochures, 3-9, 3-17
 - tutorials, 6-19
 - two-sided pages, 3-27
- PrintingScout
 - alerts, 6-18
 - printer status, 6-18

Q

Quick Use Guide, 1-10

R

RAM memory

slots, 1-3

random light stripes

jet substitution, 4-8

Recommended Media List, 1-10, 3-3

recycling and disposal, A-7

recycling supplies, 5-16, 6-19

registering your printer, 6-19

repackaging kit, 5-19

repacking the printer, 5-19

replacing the maintenance kit, 5-8

resolution

maximum, 1-4

resources

information, 1-10

restrictions, 3-26

RGB sampler pages, 1-9

router address

IP address, 2-6

routine maintenance, 5-2

routine maintenance items, 5-15

S

safety

electrical, A-1

information, 6-19

maintenance, A-2

operational, A-3

printing guidelines, A-4

user, A-1

sales and support center, 6-19

sample pages

color sampler pages, 1-9

printing, 1-8

selecting

2-sided printing, 3-28

a print-quality mode, 4-2

printing options, 3-22

printing options for an individual job

Macintosh, 3-25

Windows, 3-23

printing preferences, 3-22

setting

the IP address automatically

Windows only, 2-6

the IP address dynamically, 2-6

the IP address manually, 2-7

setting up the network, 2-2

shipping the printer, 5-19

side door, 1-2, 4-9

side seam envelopes, 3-4

smudges or smears, 4-7

SNAP Press color correction, 4-4

solving print-quality problems, 4-6

specialty media, 3-9, 3-17, 3-31

custom size paper, 3-57, 3-61

envelopes, 3-38

glossy paper, 3-51

labels, 3-45

transparencies, 3-31

sRGB Display color correction, 4-4

sRGB Vivid color correction, 4-4

Standard print-quality mode, 4-2

stapled paper, 3-4

storage guidelines for paper, 3-5

supplies, 6-19, A-4

control panel message, 5-16

ordering, 5-15

printer, A-4

recycling, 5-16

when to order, 5-16

Support Centre, 1-12

supported paper and media, 3-3, 3-27

supported paper sizes and weights, 3-5

printing the Paper Tips page, 3-5

Tray 1, 3-6

Trays 2-4, 3-8

SWOP Press color correction, 4-4

symbols marked on product, A-7

T

TCP/IP addresses, 2-5

technical support, 1-10, 6-19

PhaserSMART, 6-18

templates, 6-19

top cover, 1-2

transparencies, 3-9, 3-17, 3-27, 3-31, 4-10

guidelines for printing, 3-31

images are too light or too dark, 4-10

printing from Tray 1, 3-32

printing from Trays 2-4, 3-34, 3-48

Tray 1

- automatic mode, 3-15
- dynamic mode, 3-15
- loading paper, 3-9
- media capacity, 3-9
- mode, 3-15
- paper sizes and weights, 3-6
- printing custom size paper, 3-58
- printing envelopes, 3-39
- printing glossy paper, 3-52
- printing labels, 3-46
- printing transparencies, 3-32
- static mode, 3-15
- trays
 - media capacity, 3-9, 3-17
 - optional feeder trays, 1-2
- Trays 2-4
 - loading paper, 3-17
 - paper sizes and weights, 3-8
 - printing glossy paper, 3-54
 - printing transparencies, 3-34, 3-48
 - supported paper, 3-8
- trifold brochures, 3-9, 3-17
- troubleshooting
 - jet substitution mode, 4-8
 - Online Support Assistant, 6-18
 - PANTONE colors do not match, 4-11
 - paper jams, 6-2
 - PhaserSMART, 1-10
 - predominate light stripes, 4-9
 - print quality, 4-6
 - random light stripes, 4-8
 - smudges or smears, 4-7
 - technical support, 1-10
 - transparency images are too light or too dark, 4-10
- turning off the printer, 5-22
- tutorials, 6-19
- two-sided printing, 3-27
 - 2nd side setting, 3-29
 - automatic, 3-27
 - binding edge options, 3-28
 - manual, 3-29
 - side one, 3-29
 - side two, 3-30
 - selecting, 3-28
 - selecting 2nd Side on the control panel, 3-30

U

- upgrades, 1-5
- usage guidelines
 - paper, 3-4
- USB, 2-4
- USB connection, 1-3
- User Guide, 1-10
- user safety, A-1

W

- warning and error messages, 6-17
- waste tray, 1-3, 5-19, 5-20
 - emptying, 5-5
- web links, 1-10, 6-19
- website resources, 6-19
- window envelopes, 3-4
- Windows
 - driver
 - Advanced tab, 3-23
 - Color Options tab, 3-23
 - Layout/Watermark tab, 3-23
 - Paper/Output tab, 3-23
 - install printer drivers for Windows 2000 or later, 2-10
 - printing options, 3-24
 - selecting manual feed, 3-16
 - selecting printing options for an individual job, 3-23
 - selecting printing preferences, 3-22
 - Xerox Support Centre, 1-12
- Windows PostScript driver, 2-9
- wiper blade
 - cleaning, 5-12

X

- Xerox
 - links installed in web browser's Favorites folder, 6-19
 - supplies recycling programs, 5-16
 - supplies website, 5-16
 - Support Centre, 1-12

Free Manuals Download Website

<http://myh66.com>

<http://usermanuals.us>

<http://www.somanuals.com>

<http://www.4manuals.cc>

<http://www.manual-lib.com>

<http://www.404manual.com>

<http://www.luxmanual.com>

<http://aubethermostatmanual.com>

Golf course search by state

<http://golfingnear.com>

Email search by domain

<http://emailbydomain.com>

Auto manuals search

<http://auto.somanuals.com>

TV manuals search

<http://tv.somanuals.com>