



color laser printer

Supported Papers

Basic Printing

Calibrate for Paper

Calibrate Colors

Print Quality

Xerox Support Centre

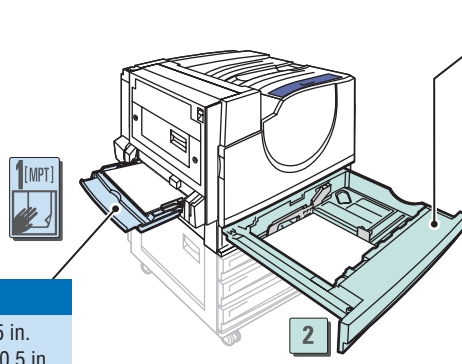
Quick Reference Guide



If you change the type of paper in a tray, you **MUST** change the paper type on the control panel to match the paper you just loaded. If you fail to do this, print-quality problems can occur and the fuser can be damaged.

Use the **Up Arrow** or **Down Arrow** buttons to change the paper type, then press **OK** to accept the change.

Supported Papers

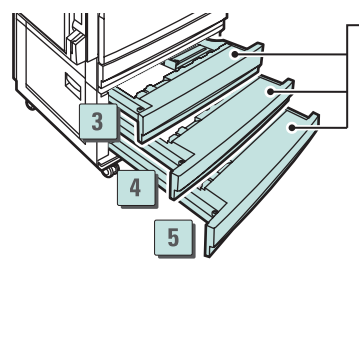


Tray 2

Statement	5.5 x 8.5 in.
Letter	8.5 x 11.0 in.
US Folio	8.5 x 13.0 in.
Legal	8.5 x 14.0 in.
Tabloid	11.0 x 17.0 in.
Custom	(SE) x (LE)
A5	148 x 210 mm
A4	210 x 297 mm
A3	297 x 420 mm
B5 JIS	182 x 257 mm
B4 JIS	257 x 364 mm

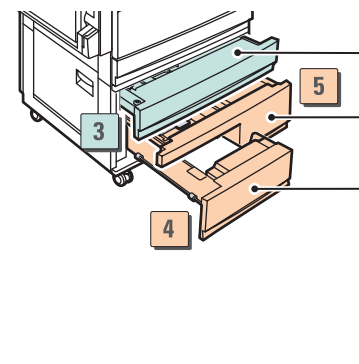
Tray 1 (MPT)

Statement	5.5 x 8.5 in.
Executive	7.25 x 10.5 in.
Letter	8.5 x 11.0 in.
US Folio	8.5 x 13.0 in.
Legal	8.5 x 14.0 in.
Tabloid	11.0 x 17.0 in.
Tabloid Extra	12.0 x 18.0 in.
Custom	(SE) x (LE)
A6	105 x 148 mm
A5	148 x 210 mm
A4	210 x 297 mm
A3	297 x 420 mm
SRA3	320 x 450 mm
B5 JIS	182 x 257 mm
B4 JIS	257 x 364 mm
ISO B5	176 x 250 mm



Tray 3, 4, 5

Statement	5.5 x 8.5 in.
Letter	8.5 x 11.0 in.
US Folio	8.5 x 13.0 in.
Legal	8.5 x 14.0 in.
Tabloid	11.0 x 17.0 in.
A5	148 x 210 mm
A4	210 x 297 mm
A3	297 x 420 mm
B5 JIS	182 x 257 mm
B4 JIS	257 x 364 mm




Tray 3


Statement	5.5 x 8.5 in.
Letter	8.5 x 11.0 in.
US Folio	8.5 x 13.0 in.
Legal	8.5 x 14.0 in.
Tabloid	11.0 x 17.0 in.
A5	148 x 210 mm
A4	210 x 297 mm
A3	297 x 420 mm
B5 JIS	182 x 257 mm
B4 JIS	257 x 364 mm

Tray 4, 5

Letter	8.5 x 11.0 in.
A4	210 x 297 mm
B5 JIS	182 x 257 mm



# 10	4.12 x 9.5 in.
A7	5.25 x 7.25 in.
Monarch	3.87 x 7.5 in.
DL	110 x 220 mm
B5	176 x 250 mm
C6	114 x 162 mm
C5	162 x 229 mm
C4	229 x 324 mm



Letter	8.5 x 11.0 in.
A4	210 x 297 mm



Tray 1 (MPT), 2, 3, 4, 5

75 – 90 g/m² (20 – 24 lb. Bond)
Plain Paper ✓

91 – 105 g/m² (25 – 28 lb. Bond)
Heavy Plain Paper ✓

106 – 169 g/m² (50 – 60 lb. Cover, 65 – 90 lb. Index, 32 – 40 lb. Bond)
Thin Card Stock ✓
Thin Glossy Paper ✓

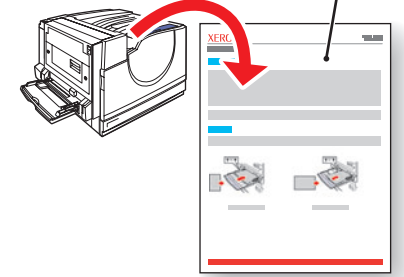
170 – 220 g/m² (65 – 80 lb. Cover, 100 – 110 lb. Index)
Thick Card Stock ✓
Thick Glossy Paper ✓

Tray 1 (MPT)

221 – 255 g/m² (81 – 90 lb. Cover, 120 – 140 lb. Index)
Extra Thick Card Stock ✓



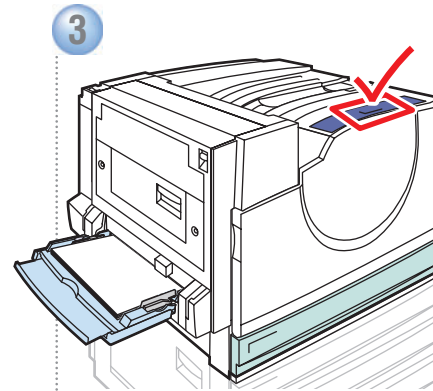
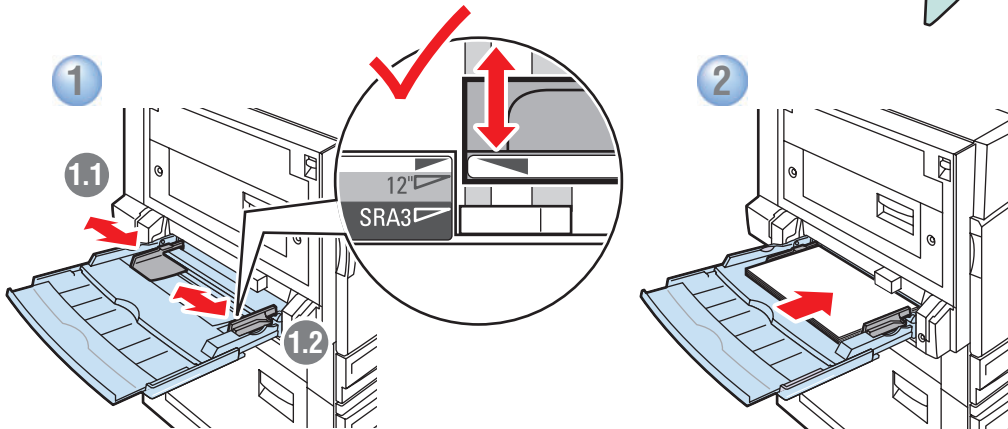
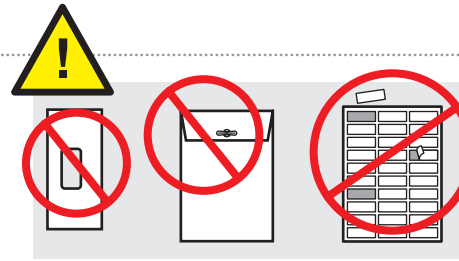
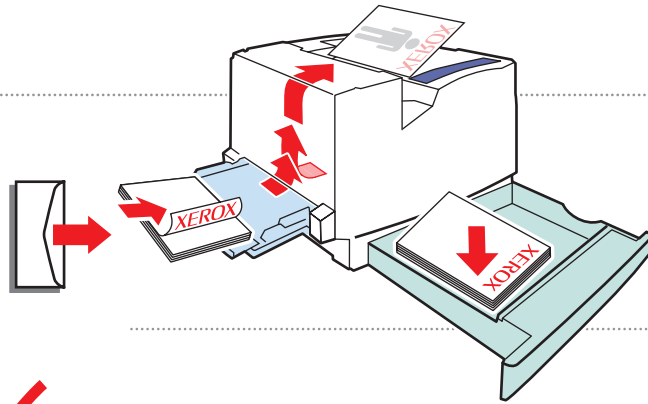
Print the Paper Tips page for more information.



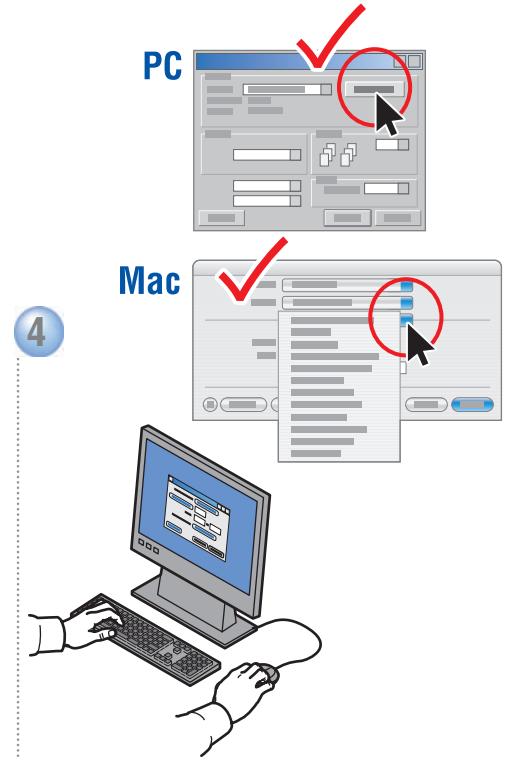
See the **Printing Basics** chapter in the *User Guide*.



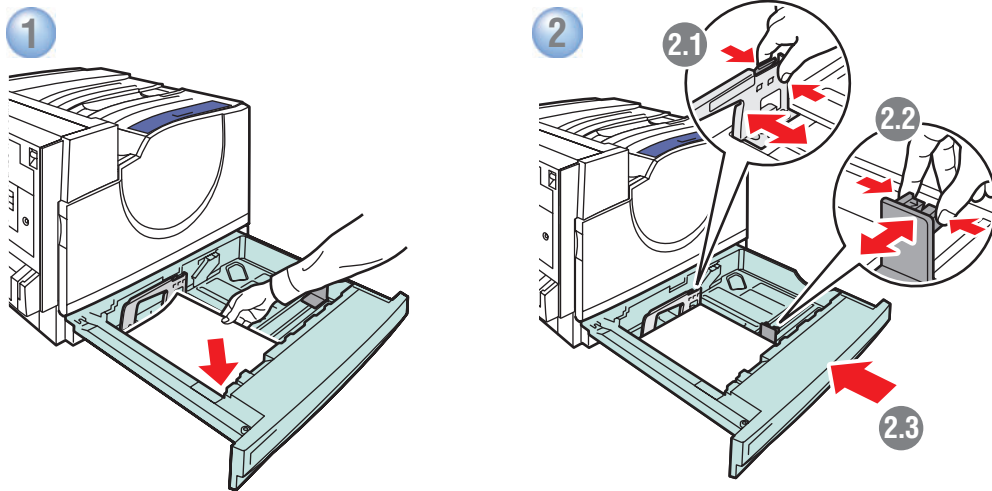
Basic Printing



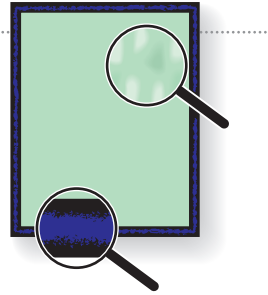
3 Confirm or change settings.



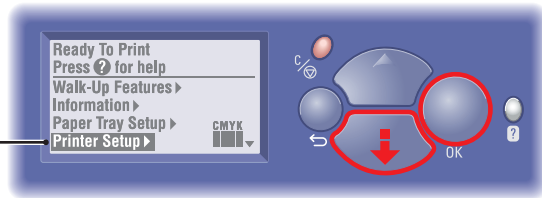
4 Select properties. Use the Xerox printer driver.



Calibrate for Paper



- To calibrate your printer for a particular brand or grade of paper, follow the steps on the Calibrate for Paper pages. This may be necessary if the temperature or humidity changes significantly.



Ready To Print
Press ? for help
Walk-Up Features
Information
Paper Tray Setup
Printer Setup ▶

Printer Setup
Connection Setup
Paper Handling Setup
Calibration Setup ▶
PostScript Setup
PCL Setup

Calibration Setup
Calibrate for Paper ▶
Calibrate Colors
Calibrate Margins

Calibrate for Paper
Calibrate for Paper Pages
Toner Transfer Settings...
Reset Toner Transfer Settings

Calibrate Colors



- To calibrate for color balance, follow the procedure outlined on the Tutorial page. Basic and advanced adjustments are described.



Ready To Print
Press ? for help
Walk-Up Features
Information
Paper Tray Setup
Printer Setup ▶

Printer Setup
Connection Setup
Paper Handling Setup
Calibration Setup ▶
PostScript Setup
PCL Setup

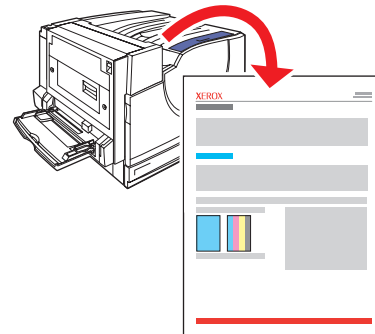
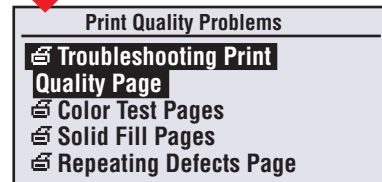
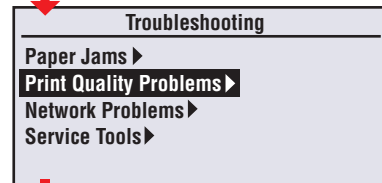
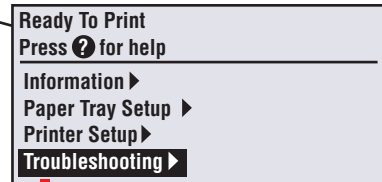
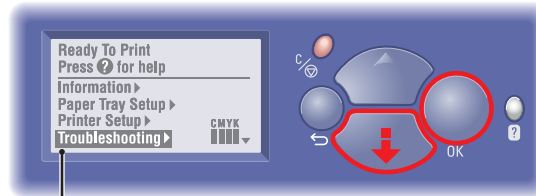
Calibration Setup
Calibrate for Paper
Calibrate Colors ▶
Calibrate Margins

Calibrate Colors
Tutorial Page
Color Reference Page
Basic Color Balance ▶
Advanced Color Balance ▶
Restore Previous Settings

Print Quality

For Print-Quality Solutions:

- See the **Print-Quality Problems** menu and print the Troubleshooting Print-Quality page.
- See the **Print Quality** chapter in the *User Guide*.



Xerox Support Centre

Utility installs with the printer driver, or go to www.xerox.com/office/7760support. Double-click the icon on the Windows desktop or Mac OS X dock.

- **User manuals and video tutorials**
- **Troubleshooting**
- **Printer and supplies status**
- **User safety**
- **Material Safety Data Sheets**



Free Manuals Download Website

<http://myh66.com>

<http://usermanuals.us>

<http://www.somanuals.com>

<http://www.4manuals.cc>

<http://www.manual-lib.com>

<http://www.404manual.com>

<http://www.luxmanual.com>

<http://aubethermostatmanual.com>

Golf course search by state

<http://golfingnear.com>

Email search by domain

<http://emailbydomain.com>

Auto manuals search

<http://auto.somanuals.com>

TV manuals search

<http://tv.somanuals.com>