



Xerox® WorkCentre® 6027
Color Multifunction Printer
User Guide



© 2015 Xerox Corporation. All rights reserved. Unpublished rights reserved under the copyright laws of the United States. Contents of this publication may not be reproduced in any form without permission of Xerox Corporation.

Copyright protection claimed includes all forms of matters of copyrightable materials and information now allowed by statutory or judicial law or hereinafter granted, including without limitation, material generated from the software programs which are displayed on the screen such as styles, templates, icons, screen displays, looks, and so on.

Xerox® and Xerox and Design®, Phaser®, PhaserSMART®, PhaserMatch®, PhaserCal®, PhaserMeter™, CentreWare®, PagePack®, eClick®, PrintingScout®, Walk-Up®, WorkCentre®, FreeFlow®, SMARTsend®, Scan to PC Desktop®, MeterAssistant®, SuppliesAssistant®, Xerox Secure Access Unified ID System®, Xerox Extensible Interface Platform®, ColorQube®, Global Print Driver®, and Mobile Express Driver® are trademarks of Xerox Corporation in the United States and/or other countries.

Adobe® Reader®, Adobe® Type Manager®, ATM™, Flash®, Macromedia®, Photoshop®, and PostScript® are trademarks of Adobe Systems Incorporated in the United States and/or other countries.

Apple, Bonjour, EtherTalk, TrueType, iPad, iPhone, iPod, iPod touch, Mac and Mac OS are trademarks of Apple Inc., registered in the U.S. and other countries. AirPrint and the AirPrint logo are trademarks of Apple Inc.

HP-GL®, HP-UX®, and PCL® are trademarks of Hewlett-Packard Corporation in the United States and/or other countries.

IBM® and AIX® are trademarks of International Business Machines Corporation in the United States and/or other countries.

Microsoft®, Windows Vista®, Windows®, and Windows Server® are trademarks of Microsoft Corporation in the United States and other countries.

Novell®, NetWare®, NDPS®, NDS®, IPX™, and Novell Distributed Print Services™ are trademarks of Novell, Inc. in the United States and other countries.

SGI® and IRIX® are trademarks of Silicon Graphics International Corp. or its subsidiaries in the United States and/or other countries.

Sun, Sun Microsystems, and Solaris are trademarks or registered trademarks of Oracle and/or its affiliates in the United States and other countries.

McAfee®, ePolicy Orchestrator®, and McAfee ePO™ are trademarks or registered trademarks of McAfee, Inc. in the United States and other countries.

UNIX® is a trademark in the United States and other countries, licensed exclusively through X/Open Company Limited.

PANTONE® and other Pantone, Inc. trademarks are the property of Pantone, Inc.

Document version 1.2: November 2015

BR9752_en-us

Contents

1	Safety	11
	Notices and Safety	12
	Electrical Safety	13
	General Guidelines	13
	Power Cord	14
	Emergency Turn Off	14
	Operational Safety	15
	Operational Guidelines.....	15
	Ozone Release	15
	Printer Location	16
	Printer Supplies.....	16
	Maintenance Safety	17
	Printer Symbols.....	18
	Environmental, Health, and Safety Contact Information.....	19
2	Features	21
	Parts of the Printer	22
	Front View.....	22
	Rear View	23
	Control Panel.....	23
	Power Saver Mode.....	25
	Changing Power Saver Mode Settings on the Control Panel.....	25
	Exiting Power Saver Mode	25
	Information Pages	26
	Configuration Page.....	26
	Printing a Configuration Page	26
	Administrative Features.....	27
	CentreWare Internet Services	27
	Finding the IP Address of the Printer	27
	Accessing the Printer.....	28
	Billing Meters.....	29
	More Information.....	30
3	Installation and Setup	31
	Installation and Setup Overview	32
	Selecting a Location for the Printer	33
	Connecting the Printer.....	34
	Selecting a Connection Method.....	34
	Connecting to a Computer Using USB.....	35
	Connecting to a Wired Network.....	35

Connecting to a Wireless Network	36
Connecting to Wi-Fi Direct	38
Disabling Wireless Networking from the Control Panel	38
Configuring AirPrint	39
Google Cloud Print	40
Connecting to a Telephone Line	40
Installing the Software	41
Operating System Requirements	41
Available Print Drivers	41
Installing the Print Drivers for a Windows Network Printer	42
Installing the Print Drivers for a Windows USB Printer	43
Installing the Drivers and Utilities for Macintosh OS X Version 10.5 and Later	44
Configuring Network Settings	46
About TCP/IP and IP Addresses	46
Finding the IP Address of the Printer Using the Control Panel	46
Assigning the Printer IP Address	48
Enabling the Printer for Scanning	51
Setting Up the Network Address Book	52
Configuring General Settings Using CentreWare Internet Services	53
Viewing Printer Information	53
Configuring Tray Settings	53
Configuring Printer Defaults	54
Resetting the Printer	54
Configuring General Setup Using the Control Panel	55
Accessing Information About the Printer Using the Control Panel	55
Using the Power On Wizard	55
Configuring General Settings	57
Configuring the Timers Using the Control Panel	60
Configuring Tray Settings	61
Configuring Fax Defaults and Settings	62
Configuring Fax Settings from CentreWare Internet Services	62
Setting Fax Defaults from the Control Panel	64
Configuring Fax Settings at the Control Panel (Bridgetown)	64
Configuring Security Settings Using CentreWare Internet Services	69
Opening the Security Menu	69
Configuring Administrative Security Settings	69
Configuring IPsec Settings	70
Configuring the Host Access List	71
Configuring SSL Settings	72
Managing Certificates	73
Configuring Secure Settings Using the Control Panel	75
Accessing the Secure Settings Menu	75
Setting Panel Lock	75
Setting Service Locks	76
Configuring Secure Settings	76
Setting Up Scanning	77
Scanning Setup Overview	77

Setting Up Scanning to a Shared Folder on Your Computer	78
Setting Up Scanning to an FTP Server.....	80
Setting Up Scanning to an Email Address	80
Setting Up Scanning With USB	81
Installing the Printer as a Web Services Device.....	82
4 Paper and Media	83
Supported Paper	84
Ordering Paper	84
General Paper Loading Guidelines	84
Paper That Can Damage Your Printer	85
Paper Storage Guidelines	85
Supported Paper Types and Weights.....	86
Supported Standard Paper Sizes.....	86
Supported Custom Paper Sizes	86
Loading Paper	87
Loading Paper	87
Configuring the Paper Tray for Legal and A4	89
Printing on Special Paper.....	90
Envelopes	90
Labels.....	91
Printing on Glossy Cardstock	92
5 Scanning	93
Loading Documents.....	94
Document Glass Guidelines.....	94
Automatic Document Feeder Guidelines	95
Scanning to a USB Flash Drive.....	96
Scanning to a Folder on a USB Connected Computer	97
Scanning to a Shared Folder on a Network Computer	98
Sharing a Folder on a Windows Computer	98
Sharing a Folder Using Macintosh OS X Version 10.7 and Later	99
Adding a Folder as an Address Book Entry Using CentreWare Internet Services	99
Scanning to a Folder on a Network Computer.....	100
Scanning to an Email Address.....	101
Scanning to Web Services on Devices.....	102
Scanning Images into an Application on a USB Connected Computer	103
Scanning an Image into an Application.....	103
Scanning an Image Using Windows 8	103
Scanning an Image Using Windows Vista or Windows 7	104
Scanning an Image Using Windows XP	104
Adjusting Scanning Settings	105
Setting the Output Color	105
Setting the Scan Resolution.....	105
Setting the File Format	106

Lightening or Darkening an Image.....	106
Adjusting the Sharpness.....	106
Adjusting the Contrast.....	106
Specifying the Original Size.....	106
Using Edge Erase.....	107
Changing the Default Scan Settings.....	108
Changing the Default for File Format.....	108
Changing Output Color.....	108
Changing the Default Scan Resolution.....	109
Changing the Original Size.....	109
Changing Lighten/Darken.....	109
Changing the Default for Sharpness.....	109
Changing the Default for Auto Background Suppression.....	109
Changing Edge Erase.....	109
Changing the Default for TIFF File Format.....	109
Changing the Default for Quality/File Size.....	110
Changing the Default for Maximum Email Size.....	110
Changing the File Name.....	110
Changing the Create Folder Default.....	110
Limiting Access to Scanning.....	111
6 Faxing	113
Phone Line Compatibility.....	114
Configuring the Printer for Faxing.....	115
Loading Documents for Faxing.....	116
Sending a Fax from the Printer.....	117
Sending a Delayed Fax.....	118
Sending a Cover Page with a Fax.....	119
Sending a Fax From Your Computer.....	120
Sending a Fax Using Windows Applications.....	120
Sending a Fax Using Windows Applications.....	121
Sending a Fax Using Macintosh Applications.....	121
Printing a Secure Fax.....	122
Polling a Remote Fax Machine.....	123
Manually Sending, Receiving, or Polling Using OnHook.....	124
Manually Sending, Receiving, or Polling Using OnHook.....	124
Editing the Fax Address Book.....	125
Adding or Editing Contacts in the Fax Address Book in CentreWare Internet Services.....	125
Adding or Editing Groups in the Fax Address Book in CentreWare Internet Services.....	125
Adding or Editing Contacts in the Fax Address Book at the Control Panel.....	126
Adding or Editing Groups in the Fax Address Book at the Control Panel.....	126
Using the Address Book Editor Utility.....	126
7 Printing	127
Selecting Printing Options.....	128

Windows Printing Options	128
Macintosh Printing Options.....	130
Mobile Printing Options	131
Printing with Wi-Fi Direct	131
Printing with AirPrint	131
Printing from a Mopria-Enabled Mobile Device	131
Printing from a USB Flash Drive	132
Using Custom Paper Sizes.....	133
Defining Custom Paper Sizes.....	133
Printing on Custom Paper Sizes.....	134
Printing on Both Sides of the Paper	136
Setting Up 2-Sided Printing.....	136
Loading Paper for Manual 2-Sided Printing.....	136
8 Copying	137
Making Copies.....	138
Automatic Document Feeder Guidelines	139
Document Glass Guidelines.....	140
Copying an ID Card	140
Adjusting Copying Options.....	141
Basic Settings	142
Image-Quality Settings.....	143
Output Adjustments.....	144
Changing the Default Copy Settings	146
Limiting Access to Copying.....	149
9 Maintenance	151
Cleaning the Printer.....	152
General Precautions.....	152
Cleaning the Scanner	153
Cleaning the Exterior.....	154
Cleaning the Interior.....	155
Adjustments and Maintenance Procedures	160
Adjusting for the Paper Type.....	160
Adjusting the Bias Transfer Roller	161
Adjusting the Fuser	161
Color Registration.....	162
Refreshing the Bias Transfer Roller	164
Adjusting the Altitude.....	164
Adjusting the Touchscreen	165
Initializing Non-Volatile Memory.....	166
Clearing Job History.....	167
Ordering Supplies.....	168
Consumables	168
When to Order Supplies	168

Toner Cartridges	169
Recycling Supplies	170
Managing the Printer	171
Checking Page Counts	171
Changing the Passcode Using the Control Panel.....	171
Moving the Printer	172
10 Troubleshooting	175
General Troubleshooting	176
Printer Does Not Turn On	176
Printer Resets or Turns Off Frequently.....	176
The Printer Does Not Print.....	177
Printing Takes Too Long	178
Printer is Making Unusual Noises	178
Condensation has Formed Inside the Printer.....	178
Paper Jams	179
Minimizing Paper Jams	179
Locating Paper Jams	180
Clearing Paper Jams	181
Troubleshooting Paper Jams	188
Print-Quality Problems.....	190
Getting Help.....	195
Error and Status Messages	195
PrintingScout Alerts	195
Online Support Assistant	195
A Specifications	197
Standard Features.....	198
Physical Specifications.....	199
Dimensions and Weight	199
Total Space Requirements.....	199
Clearance Requirements.....	199
Environmental Specifications	200
Temperature	200
Relative Humidity	200
Elevation.....	200
Electrical Specifications.....	201
Power Supply Voltage and Frequency	201
Power Consumption	201
ENERGY STAR Qualified Product	201
Performance Specifications.....	202
Controller Specifications.....	203
Processor.....	203
Memory.....	203
Interfaces.....	203

B	Regulatory Information	205
	Basic Regulations.....	206
	United States FCC Regulations.....	206
	Canada.....	206
	European Union	207
	European Union Lot 4 Imaging Equipment Agreement Environmental Information.....	207
	Germany.....	209
	Turkey RoHS Regulation	209
	Regulatory Information for 2.4 GHz Wireless Network Adapter.....	210
	Copy Regulations.....	211
	United States.....	211
	Canada.....	212
	Other Countries	213
	Fax Regulations.....	214
	United States.....	214
	Canada.....	216
	European Union	217
	New Zealand.....	218
	South Africa	218
	Material Safety Data Sheets.....	219
C	Recycling and Disposal	221
	All Countries.....	222
	North America.....	223
	European Union.....	224
	Domestic/Household Environment.....	224
	Professional/Business Environment.....	224
	Collection and Disposal of Equipment and Batteries.....	225
	Battery Symbol Note.....	225
	Battery Removal.....	225
	Other Countries.....	226

Safety

1

This chapter includes:

- Notices and Safety 12
- Electrical Safety 13
- Operational Safety 15
- Maintenance Safety 17
- Printer Symbols 18
- Environmental, Health, and Safety Contact Information 19

Your printer and the recommended supplies have been designed and tested to meet strict safety requirements. Attention to the following information ensures the continued safe operation of your Xerox printer.

Notices and Safety

Please read the following instructions carefully before operating your printer. Refer to these instructions to ensure the continued safe operation of your printer.

Your Xerox® printer and supplies are designed and tested to meet strict safety requirements. These include safety agency evaluation and certification, and compliance with electromagnetic regulations and established environmental standards.

The safety and environment testing and performance of this product have been verified using Xerox® materials only.

Note: Unauthorized alterations, which can include the addition of new functions or connection of external devices, can affect the product certification. Please contact your Xerox representative for more information.

Electrical Safety

This section includes:

- [General Guidelines](#) 13
- [Power Cord](#)..... 14
- [Emergency Turn Off](#)..... 14

General Guidelines



WARNINGS:

- Do not push objects into slots or openings on the printer. Touching a voltage point or shorting out a part could result in fire or electric shock.
- Do not remove the covers or guards that are fastened with screws unless you are installing optional equipment and are instructed to do so. Turn off the printer when performing these installations. Disconnect the power cord when removing covers and guards for installing optional equipment. Except for user-installable options, there are no parts that you can maintain or service behind these covers.

The following are hazards to your safety:

- The power cord is damaged or frayed.
- Liquid is spilled into the printer.
- The printer is exposed to water.
- The printer emits smoke, or the surface is unusually hot.
- The printer emits unusual noise or odors.
- The printer causes a circuit breaker, fuse, or other safety device to activate.

If any of these conditions occur, do the following:

1. Turn off the printer immediately.
2. Disconnect the power cord from the electrical outlet.
3. Call an authorized service representative.

Power Cord

Use the power cord supplied with your printer.

- Plug the power cord directly into a properly grounded electrical outlet. Ensure that each end of the cord is connected securely. If you do not know if an outlet is grounded, ask an electrician to check the outlet.



WARNING: To avoid risk of fire or electrical shock, do not use extension cords, power strips, or power plugs for more than 90 days. When a permanent outlet receptacle cannot be installed, use only one factory-assembled extension cord of the appropriate gauge per printer or multifunction printer. Always adhere to national and local building, fire, and electrical codes regarding length of cord, conductor size, grounding, and protection.

- Do not use a ground adapter plug to connect the printer to an electrical outlet that does not have a ground connection terminal.
- Verify that the printer is plugged into an outlet that is providing the correct voltage and power. Review the electrical specification of the printer with an electrician if necessary.
- Do not place the printer in an area where people can step on the power cord.
- Do not place objects on the power cord.
- Do not plug or unplug the power cord while the power switch is in the On position.
- If the power cord becomes frayed or worn, replace it.
- To avoid electrical shock and damage to the cord, grasp the plug when unplugging the power cord.

The power cord is attached to the printer as a plug-in device on the back of the printer. If it is necessary to disconnect all electrical power from the printer, disconnect the power cord from the electrical outlet.

Emergency Turn Off

If any of the following conditions occur, turn off the printer immediately and disconnect the power cord from the electrical outlet. Contact an authorized Xerox service representative to correct the problem if:

- The equipment emits unusual odors or makes unusual noises.
- The power cable is damaged or frayed.
- A wall panel circuit breaker, fuse, or other safety device has been tripped.
- Liquid is spilled into the printer.
- The printer is exposed to water.
- Any part of the printer is damaged.

Operational Safety

Your printer and supplies were designed and tested to meet strict safety requirements. These include safety agency examination, approval, and compliance with established environmental standards.

Your attention to the following safety guidelines helps to ensure the continued, safe operation of your printer.

Operational Guidelines

- Do not remove any trays while the printer is printing.
- Do not open the doors when the printer is printing.
- Do not move the printer while is printing.
- Keep hands, hair, neckties, and so on away from the exit and feed rollers.
- Covers, which require tools for removal, protect the hazard areas within the printer. Do not remove the protective covers.
- Do not override any electrical or mechanical interlock devices.
- Do not attempt to remove paper that is jammed deeply inside the product. Switch off the product promptly and contact your local Xerox representative.



WARNING: The metallic surfaces in the fuser area are hot. Always use caution when removing paper jams from this area and avoid touching any metallic surfaces.

Ozone Release

This printer produces ozone during normal operation. The amount of ozone produced is dependent on copy volume. Ozone is heavier than air and is not produced in amounts large enough to harm anyone. Install the printer in a well-ventilated room.

For more information in the United States and Canada, go to www.xerox.com/environment. In other markets, please contact your local Xerox representative or go to www.xerox.com/environment_europe.

Printer Location

- Place the printer on a level, solid, non-vibrating surface with adequate strength to hold its weight. To find the weight for your printer configuration, see [Physical Specifications](#) on page 199.
- Do not block or cover the slots or openings on the printer. These openings are provided for ventilation and to prevent overheating of the printer.
- Place the printer in an area where there is adequate space for operation and servicing.
- Place the printer in a dust-free area.
- Do not store or operate the printer in an extremely hot, cold, or humid environment.
- Do not place the printer near a heat source.
- Do not place the printer in direct sunlight to avoid exposure to light-sensitive components.
- Do not place the printer where it is directly exposed to the cold air flow from an air conditioning system.
- Do not place the printer in locations susceptible to vibrations.
- For optimum performance, use the printer at the elevations specified in [Elevation](#) on page 200.

Printer Supplies

- Use the supplies designed for your printer. The use of unsuitable materials can cause poor performance and a possible safety hazard.
- Follow all warnings and instructions marked on, or supplied with, the product, options, and supplies.
- Store all consumables in accordance with the instructions given on the package or container.
- Keep all consumables away from the reach of children.
- Never throw toner, print/drum cartridges, or toner containers into an open flame.
- When handling cartridges, for example toner and such, avoid skin or eye contact. Eye contact can cause irritation and inflammation. Do not attempt to disassemble the cartridge, which can increase the risk of skin or eye contact.



CAUTION: Use of non-Xerox supplies is not recommended. The Xerox Warranty, Service Agreement, and Total Satisfaction Guarantee do not cover damage, malfunction, or degradation of performance caused by use of non-Xerox supplies, or the use of Xerox supplies not specified for this printer. The Total Satisfaction Guarantee is available in the United States and Canada. Coverage could vary outside these areas. Please contact your Xerox representative for details.











Maintenance Safety

- Do not attempt any maintenance procedure that is not specifically described in the documentation supplied with your printer.
- Clean with a dry lint-free cloth only.
- Do not burn any consumables or routine maintenance items. For information on Xerox® supplies recycling programs, go to www.xerox.com/gwa.

**WARNING:**

Do not use aerosol cleaners. Aerosol cleaners can cause explosions or fires when used on electromechanical equipment.

Printer Symbols

Symbol	Description
	Warning: Indicates a hazard which, if not avoided, could result in death or serious injury.
	Caution: Indicates a mandatory action to take in order to avoid damage to the property.
	Hot surface on or in the printer. Use caution to avoid personal injury.
	Do not burn the item.
	Do not expose the imaging unit to light for more than 10 minutes.
	Do not expose the imaging unit to direct sunlight.
	Do not touch the part or area of the printer.
  175°C 347°F 00:40 ⁰⁰	Warning: Wait for the printer to cool for the specified time before touching the fuser.
	This item can be recycled. For details, see Recycling and Disposal on page 221.

Environmental, Health, and Safety Contact Information

For more information on Environment, Health, and Safety in relation to this Xerox product and supplies, contact the following customer help lines:

United States and Canada: 1-800-ASK-XEROX (1-800-275-9376)

Europe: +44 1707 353 434

For product safety information in the United States and Canada, go to www.xerox.com/environment.

For product safety information in Europe, go to www.xerox.com/environment_europe.

Features

2

This chapter includes:

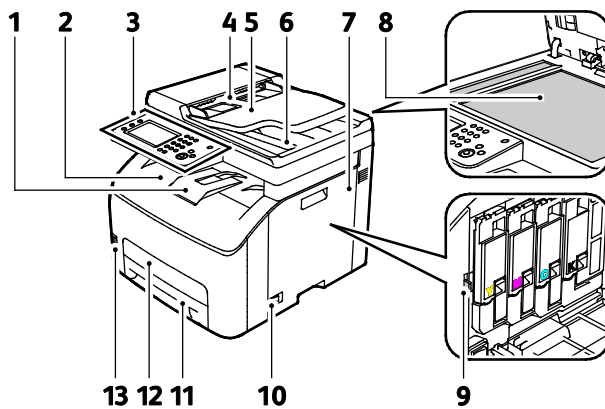
- [Parts of the Printer](#)..... 22
- [Power Saver Mode](#)..... 25
- [Information Pages](#) 26
- [Administrative Features](#)..... 27
- [More Information](#) 30

Parts of the Printer

This section includes:

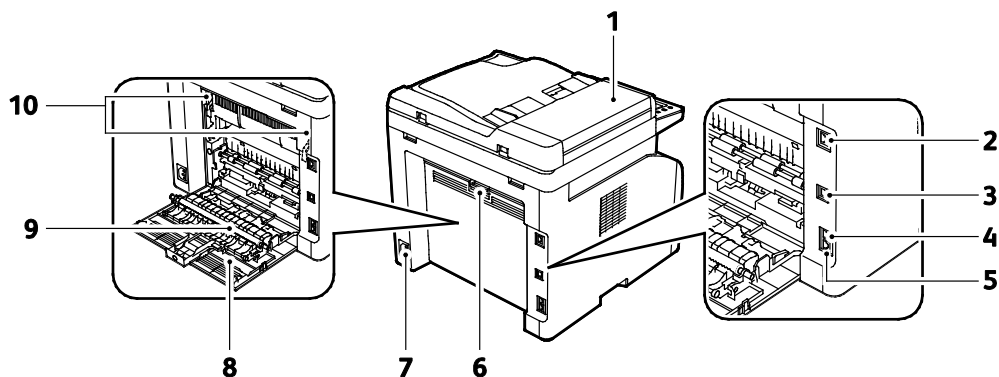
- [Front View](#) 22
- [Rear View](#) 23
- [Control Panel](#) 23

Front View



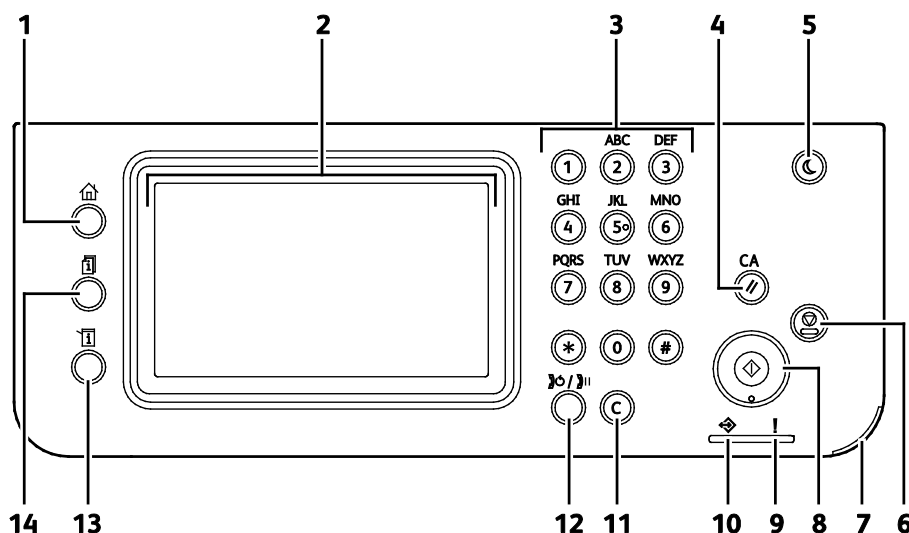
- | | |
|-------------------------------------------|----------------------|
| 1. Output Tray Extension | 8. Document Glass |
| 2. Output Tray | 9. Cleaning Rod |
| 3. Control Panel | 10. Power Switch |
| 4. Automatic Document Feeder Paper Guides | 11. Paper Tray |
| 5. Automatic Document Feeder Input Tray | 12. Jam Access Cover |
| 6. Automatic Document Feeder Output Tray | 13. USB Memory Port |
| 7. Side Door | |

Rear View



- | | |
|------------------------------------|---------------------------------|
| 1. Automatic Document Feeder Cover | 6. Rear Door Release Button |
| 2. Ethernet Connection | 7. Power Connector |
| 3. USB Port | 8. Rear Door |
| 4. Fax Line In | 9. Transfer Roller |
| 5. Telephone Line Out | 10. Fuser Roller Release Levers |

Control Panel



Item	Name	Description
1	Services Home Button	This button provides access to the Services home menu for access to printer features, such as copy, scan, and fax.
2	Touch Screen Display	The screen displays information and provides access to printer functions.
3	Alphanumeric Keypad	The keypad enters alphanumeric information.
4	Clear All Button	This button clears previous and changed settings for the current selection.

Item	Name	Description
5	Power Saver	This button enters and exits the low-power mode.
6	Stop Button	This button cancels the current job.
7	Mobile LED	This light blinks to indicate a Wi-Fi Direct connection or other mobile print task.
8	Start Button	This button starts the selected copy, scan, fax, or Print From job, such as Print from USB.
9	Error Light	<ul style="list-style-type: none"> • This light indicates an error condition or warning that requires your attention. • This light blinks red when an error occurs that requires technical support.
10	Ready/Data Light	The light appears green when the printer is ready to receive data, and blinks when the printer is busy receiving data.
11	C (clear) Button	This button clears a number field or clears the last number of a numeric entry.
12	Redial/Pause	This button recalls the last fax number used or inserts pauses in fax numbers.
13	Machine Status Button	This button switches the display to the System menus.
14	Job Status Button	This button displays the Active jobs and Secure Fax jobs that are available in Job Status on the touch screen.

Power Saver Mode

You can set the time the printer spends idle in ready mode before the printer transitions to a lower power level.

There are two levels of Power Saver mode.

- **Mode 1 (Low Power):** The printer shifts from Ready mode to Low Power mode to reduce standby power consumption.
- **Mode 2 (Sleep):** The printer shifts from Low Power mode to Sleep mode for a greater reduction in power consumption.

Changing Power Saver Mode Settings on the Control Panel

To change the Power Saver mode settings:

1. At the printer control panel, press the **Machine Status** button.
2. Touch **Tools**, then touch **Admin Settings**.
3. Touch **System Settings**, then touch **General**.
4. Touch **Power Saver Timer**.
5. Touch either **Low Power Timer** or **Sleep Timer**.
6. To increase or decrease the number of minutes before the printer enters Power Saver mode, touch the Plus (+) or Minus (-) buttons, then touch **OK**.

Exiting Power Saver Mode

The printer exits Power Saver mode automatically when it receives data from a connected device.

To exit Power Saver mode manually, on the control panel, press the **Power Saver** button.

Information Pages

Your printer has a printable set of information pages. These include configuration and font information, demonstration pages, and more.

Configuration Page

The configuration page lists printer information such as default settings, installed options, network settings including IP address, and font settings. You can use the information on this page to help you configure network settings for your printer and to view page counts and system settings.

Printing a Configuration Page

1. At the printer control panel, press the **Machine Status** button.
2. Touch **Information Pages**.
3. Touch **Configuration**, then touch **Print**.

Administrative Features

CentreWare Internet Services

CentreWare Internet Services is the administration and configuration software installed on the embedded Web server in the printer. It allows you to configure and administer the printer from a Web browser.

CentreWare Internet Services requires:

- A TCP/IP connection between the printer and the network in Windows, Macintosh, UNIX, or Linux environments.
- TCP/IP and HTTP enabled in the printer.
- A network-connected computer with a Web browser that supports JavaScript.

Accessing CentreWare Internet Services

At your computer, open a Web browser, in the address field, type the IP address of the printer, then press **Enter** or **Return**.

Finding the IP Address of the Printer

You can view the IP address of your printer on the control panel or on the Configuration Page.

Finding the IP Address at the Control Panel

If Display Network Settings is set to Show IPv4 Address, the address appears in the top left corner of the touch screen display. To display the IPv4 Address on the control panel, do one of the following:

To configure Display Network Settings using CentreWare Internet Services:

Click **Properties > Security > Secure Settings > Display Network Settings > Show IPv4 Address > Save Changes**. For details, see the Help in CentreWare Internet Services.

To configure Display Network Settings at the control panel:

1. At the printer control panel, press the **Machine Status** button.
2. Touch **Tools > Admin Settings**.
3. To change the page to 2 of 2, on the right side, touch the **Down** arrow.
4. Touch **Secure Settings**. To change the page to 2 of 3, on the right side, touch the **Down** arrow.
5. Touch **Display Network Settings > Show IPv4 Address**.
6. To save the setting, touch **OK**.

To view the IP address on the control panel when Display Network Settings is not enabled:

1. At the printer control panel, press the **Machine Status** button.
2. Touch **Tools > Admin Settings > Network > Ethernet > TCP/IP**.
3. Record the IP address from the display.
4. To return to the Services Home menu, press the **Services Home** button.

Finding the IP Address on the Configuration Page

1. At the printer control panel, press the **Machine Status** button.
2. Touch **Information Pages**.
3. Touch **Configuration**, then touch **Print**.
IPv4 and IPv6 address information is located in the Network Setup section of the Configuration Page under TCP/IPv4 and TCP/IPv6.

Accessing the Printer

The system administrator can set access rights on the printer to ensure that unauthorized users cannot access the printer.

Logging In

Logging in is the process by which you identify yourself to the printer for authentication. If authentication is set, to access printer features, you log in with your user credentials.

Logging In at the Control Panel

1. At the printer control panel, press the **Machine Status** button.
2. Touch **Tools > Admin Settings**.
3. Type the passcode using the keypad.
4. Touch **OK**.

Note: Repeat steps 3 and 4 of the procedure to access each service that is password protected.

Logging In to CentreWare Internet Services

When Administrator Mode is enabled, the Jobs, Address Book, Properties, and Support tabs are locked until you enter the administrator user name and password.

To log in to CentreWare Internet Services as the administrator:

1. At your computer, open a Web browser, in the address field, type the IP address of the printer, then press **Enter** or **Return**.

Note: If you do not know the IP address of your printer, see [Finding the IP Address of Your Printer](#) on page 27.

2. Click the **Jobs**, **Address Book**, **Properties**, or **Support** tab.
3. Type the administrator user name.
4. Type the password, then type the password again to verify.

Billing Meters

The Billing Meters menu shows the number of processed print jobs. There is a meter for each color mode. Meter readings track the total number of pages printed for the life of the printer. You cannot reset the meter readings.

To view the Billing Meters on the control panel:

1. At the printer control panel, press the **Machine Status** button.
2. Touch **Meter Readings**.
3. After viewing the readings, touch **X** to close the window or press the **Services Home** button to return to the Services Home menu.

More Information

You can obtain more information about your printer from these sources:

Resource	Location
<i>Installation Guide</i>	Packaged with the printer.
Other documentation for your printer	www.xerox.com/office/WC6027docs
Technical support information for your printer; including online technical support, Online Support Assistant, and driver downloads.	www.xerox.com/office/WC6027support
Information about menus or error messages	Press the control panel Help (?) button.
Information Pages	Print from the control panel, or from CentreWare Internet Services, click Status > Information Pages .
CentreWare Internet Services documentation	In CentreWare Internet Services, click Help .
Order supplies for your printer	www.xerox.com/office/WC6027supplies
A resource for tools and information, including interactive tutorials, printing templates, helpful tips, and customized features to meet your individual needs.	www.xerox.com/office/businessresourcecenter
Local sales and support center	www.xerox.com/office/worldcontacts
Printer registration	www.xerox.com/office/register
Xerox® Direct online store	www.direct.xerox.com/

Installation and Setup

3

This chapter includes:

- Installation and Setup Overview 32
- Selecting a Location for the Printer..... 33
- Connecting the Printer..... 34
- Installing the Software 41
- Configuring Network Settings 46
- Configuring General Settings Using CentreWare Internet Services 53
- Configuring General Setup Using the Control Panel 55
- Configuring Fax Defaults and Settings 62
- Configuring Security Settings Using CentreWare Internet Services..... 69
- Configuring Secure Settings Using the Control Panel..... 75
- Setting Up Scanning..... 77
- Installing the Printer as a Web Services Device..... 82

See also:

Installation Guide packaged with your printer.

Online Support Assistant at www.xerox.com/office/WC6027support

Installation and Setup Overview

Before printing, your computer and the printer must be plugged in, turned on, and connected. Configure the initial settings of the printer, then install the driver software and utilities on your computer.

You can connect to your printer directly from your computer using USB, or connect over a network using an Ethernet cable or wireless connection. Hardware and cabling requirements vary for the different connection methods. Routers, network hubs, network switches, modems, Ethernet cables, and USB cables are not included with your printer and must be purchased separately. Xerox recommends an Ethernet connection because it is typically faster than a USB connection, and it provides access to CentreWare Internet Services.

Note: If the *Software and Documentation disc* is not available, you can download the latest drivers from www.xerox.com/office/WC6027drivers.

See also:

[Selecting a Location for the Printer](#) on page 33

[Choosing a Connection Method](#) on page 34

[Connecting the Printer](#) on page 34

[Configuring Network Settings](#) on page 46

[Installing the Software](#) on page 41

Selecting a Location for the Printer

1. Select a dust-free area with temperatures from 10–32°C (50–90°F), and relative humidity 15–85 %.

Note: Sudden temperature fluctuations can affect print quality. Rapid heating of a cold room can cause condensation inside the printer, directly interfering with image transfer.

2. Place the printer on a level, solid, non-vibrating surface with adequate strength for the weight of the printer. The printer must be horizontal with all four feet in solid contact with the surface. To find the weight for your printer configuration, see [Physical Specifications](#) on page 199.

After positioning the printer, you are ready to connect it to the power source and computer or network.

See also:

[Total Space Requirements](#) on page 199

[Clearance Requirements](#) on page 199

Connecting the Printer

This section includes:

- [Selecting a Connection Method](#) 34
- [Connecting to a Computer Using USB](#) 35
- [Connecting to a Wired Network](#) 35
- [Connecting to a Wireless Network](#)..... 36
- [Connecting to Wi-Fi Direct](#)..... 38
- [Disabling Wireless Networking from the Control Panel](#) 38
- [Configuring AirPrint](#) 39
- [Google Cloud Print](#)..... 40
- [Connecting to a Telephone Line](#)..... 40

Selecting a Connection Method

You can connect to your printer directly using Ethernet, USB, wireless, or Wi-Fi Direct. The method you select depends on how your computer connects to the network. A USB connection is a direct connection and is the easiest to set up. A wireless connection is used for networking. If you are using a network connection, it is important to understand how your computer is connected to the network. For details, see [About TCP/IP and IP Addresses](#) on page 46.

Note: Hardware and cabling requirements vary for the different connection methods.

- **Network:** If your computer is connected to an office network or home network, use an Ethernet cable to connect the printer to the network. You cannot connect the printer directly to the computer. It must be connected through a router or hub. An Ethernet network can be used for one or more computers and supports many printers and systems simultaneously. Ethernet connection is typically faster than USB and allows you direct access to the settings of the printer using CentreWare Internet Services.
- **Wireless Network:** If your computer includes a wireless router or wireless access point, you can connect the printer to the network with a wireless connection. A wireless network connection provides the same access and services as a wired connection provides. A wireless network connection is typically faster than USB and allows direct access to the setting of the printer using CentreWare Internet Services.

You can connect to your printer from a Wi-Fi mobile device, such as a tablet, computer, or smart phone, using Wi-Fi Direct.

Note: Wi-Fi Direct is disabled by default. Xerox recommends that only one user at a time accesses the printer using Wi-Fi Direct.

Note: A Wi-Fi Direct connection does not provide network access.

- **USB:** If you connect the printer to one computer and do not have a network, you can use a USB connection.

Note: A USB connection does not provide access to CentreWare Internet Services.

Connecting to a Computer Using USB

To use USB, you must have Windows XP SP1 and later, Windows Server 2003 and later, or Macintosh OS X version 10.5 and later.

To connect the printer to the computer using a USB cable:

1. Ensure that the printer is turned off.
2. Connect the B end of a standard A/B USB 2.0 cable to the USB Port on the back of the printer.
3. Attach the power cord and then plug in the printer and turn it on.
4. Connect the A end of the USB cable to the USB Port on the computer.
5. When the Windows Found New Hardware Wizard appears, cancel it.
6. You are ready to install the print drivers. For details, see [Installing the Software](#) on page 41.

Connecting to a Wired Network

1. Ensure that the printer is turned off.
2. Attach a Category 5 or better Ethernet cable from the printer to the network or router socket. Use an Ethernet hub or router, and two or more Ethernet cables. Connect the computer to the hub or router with one cable, then connect the printer to the hub or router with the second cable. Connect to any port on the hub or router except the uplink port.
3. Attach the power cord, then plug in the printer and turn it on.
4. Set or automatically discover the network IP address of the printer. For details, see [Assigning the IP Address of the Printer](#) on page 48.

Connecting to a Wireless Network

You can connect to a wireless network using the *Software and Documentation disc* included with your printer or from the printer control panel.

Notes:

- You can connect using the 3-click connection method one time on the first installation attempt only.
- WPA2 Enterprise networks are not supported.
- The 3-click connection method is supported for Windows 7 and later only.

Connecting with 3-Click Connection

1. Insert the *Software and Documentation disc* into the appropriate drive on your computer. If the installer does not start automatically, navigate to the drive, and double-click the **Setup.exe** installer file.
2. Click **Setup Printer and Install Software**.
3. At the License Agreement, select **I Agree**, then click **Next**.
4. On the Select a Connection Method screen, click **Wireless**. If a wireless connection is established, the Xerox Printer Found screen appears.
5. To connect to the wireless network, click **Next**, or click **Connect to a different wireless network**.
6. To complete the installation, click **Finish**.

Note: If a connection is not established, select **Search for Networks** or **WPS**. For details, see [Searching for Networks](#) on page 37 or [Connecting Using WPS](#) on page 36.

Connecting Using Wi-Fi Protected Setup (WPS)

1. Insert the *Software and Documentation disc* into the appropriate drive on your computer. If the installer does not start automatically, navigate to the drive, and double-click the **Setup.exe** installer file.
2. Click **Setup Printer and Install Software**.
3. At the License Agreement, select **I Agree**, then click **Next**.
4. On the Select a Connection Method screen, click **Wireless**.
5. Click **WPS**.
6. At the prompt, press and hold the WPS button on the printer for two seconds.
7. After you press the WPS button on the printer, within two minutes, press and hold the WPS button on your wireless router for two seconds.
8. After you press both buttons, click **Next**.

9. In the printer list, select your printer.
Note: You can name your printer and choose to share it on the network or set it as your default printer.
10. In the Software and Documentation window, clear the check box for any undesired options.
11. Click **Next**.
12. To complete the installation, click **Finish**.

Connecting Using Searching for Networks

1. Insert the *Software and Documentation disc* into the appropriate drive on your computer. If the installer does not start automatically, navigate to the drive, and double-click the **Setup.exe** installer file.
2. Click **Setup Printer and Install Software**.
3. At the License Agreement, select **I Agree**, then click **Next**.
4. On the Select a Connection Method screen, click **Wireless**.
5. On the Select a Wireless Setup Method screen, click **Search for Networks**.
6. Ensure that the USB cable is connected properly.
7. Select a network, then click **Next**.
8. Enter the passphrase for your wireless network, then click **Next**.
9. On the Configure Printer screen, click **Next**, or to configure IP settings manually, click **Advanced**.
10. At the prompt, remove the USB cable from the printer, then click **Next**.
11. In the printer list, select your printer.
Note: You can name your printer and choose to share it on the network or set it as your default printer.
12. Select **Install printer driver**, then click **Next**.
13. In the Software and Documentation window, clear the check box for any undesired options.
14. Click **Next**.
15. To complete the installation, click **Finish**.

Connecting to a Wireless Network from the Control Panel

You can connect your printer directly to a wireless network from the printer control panel. You do not require a computer to connect your printer to the network.

To connect using automatic SSID setup:

1. At the printer control panel, press the **Machine Status** button.
2. Touch the **Tools** tab.
3. Touch **Admin Setting > Network**.
4. Touch **Wireless > Wireless Setup Wizard**.
5. Select the desired network, then touch **Next**.
6. Enter the passcode for the selected network, then touch **OK**.

To connect using manual SSID setup:

1. At the printer control panel, press the **Machine Status** button.
2. Touch the **Tools** tab.
3. Touch **Admin Setting > Network**.
4. Touch **Wireless > Wireless Setup Wizard**.
5. Select the Manual SSID Setup check box, then touch **Next**.
6. Enter the network SSID, then touch **Next**.
7. Select a network mode, then touch **Next**.
 - a. Enter the passcode or WEP key, then touch **OK**.

Connecting to Wi-Fi Direct

You can connect to your printer from a Wi-Fi mobile device, such as a tablet, computer, or smart phone, using Wi-Fi Direct.

Note: Wi-Fi Direct is disabled by default.

Connecting with Wi-Fi Direct from Your Mobile Device

To connect with Wi-Fi Direct, follow the directions provided with your mobile device.

Disabling Wireless Networking from the Control Panel

You can disable the wireless network from the printer control panel.

To disable wireless networking from the Control Panel:

1. At the printer control panel, press the **Machine Status** button.
2. Touch the **Tools** tab.
3. Touch **Admin Setting > Network > Wi-Fi**.
4. Select **Off**, then touch **OK**.

Configuring AirPrint

Use AirPrint to print from a wired or wireless device directly without using a print driver. AirPrint is a software feature that allows you to print from wired or wireless Apple iOS-based mobile devices and Mac OS-based devices without the need to install a print driver. AirPrint-enabled printers allow you to print or fax directly from a Mac, an iPhone, iPad, or iPod touch.



Notes:

- Not all applications support AirPrint.
 - Wireless devices must join the same wireless network as the printer.
 - For AirPrint to function, both IPP and Bonjour (mDNS) protocols must be enabled.
 - The device that submits the AirPrint job must be on the same subnet as the printer. To allow devices to print from different subnets, configure your network to pass multicast DNS traffic across subnets.
 - The Mac OS device must be Mac OS 10.7 or later.
 - AirPrint-enabled printers work with all models of iPad, iPhone (3GS or later), and iPod touch (3rd generation or later), running the latest version of iOS.
1. At your computer, open a Web browser, in the address field, type the IP address of the printer, then press **Enter** or **Return**.

Note: If you do not know the IP address of your printer, see [Finding the IP Address of Your Printer](#) on page 27.

2. Click **Properties**.
3. If the Protocols link is not expanded under Properties, scroll to the Protocols link and expand it.
4. Under Protocols, click **AirPrint**.
5. To enable AirPrint, next to Enable AirPrint, click **Turn On AirPrint**.

Note: AirPrint is enabled by default when IPP and Bonjour (mDNS) are both enabled. When AirPrint is enabled, Turn On AirPrint is not selectable. To disable AirPrint, disable either IPP or Bonjour (mDNS) protocols.

- To change the printer name, in the Name field, enter a new name.
 - To enter a location for the printer, in the Location field, enter the location of the printer.
 - To enter a physical location or address for the printer, in the Geo-Location field, enter the geographic latitude and longitude coordinates in decimal form. For example, use coordinates like 45.325026, -122.766831 for a location.
6. Click **Save Changes**.
 7. At the prompt, click **Restart**, or click **Back** to cancel.
If you click Restart, the printer takes several minutes to restart and apply the new settings.

Google Cloud Print

Google Cloud Print allows you to print documents that are stored in the cloud without using a print driver.

Before you begin:

- Set up a Google email account.
- Configure the printer to use IPv4.
- Configure Proxy Server settings as needed.

To configure Google Cloud Print:

1. Click **Register This Device to Google Cloud Print**.
A printer registration page prints.
2. To register the printer, in your Web browser, type the URL provided, or use your mobile phone to scan the barcode.
Once registered, the word Registered appears in the printer status.
3. To access the Google Cloud Print feature, in your Google account, click **Manage Your Printer**.

Note: The default printer name appears in this format: Model name (MAC address).

Connecting to a Telephone Line

1. Ensure that the printer is turned off.
2. Connect a standard RJ11 cable, No. 26 American Wire Gauge (AWG) or larger, to the Line port on the back of the printer.
3. Connect the other end of the RJ11 cable to an operating telephone line.
4. Enable and configure the Fax functions.

For details, see [Changing the Default Fax Job Settings](#) on page 62.

Installing the Software

This section includes:

- [Operating System Requirements](#) 41
- [Available Print Drivers](#) 41
- [Installing the Print Drivers for a Windows Network Printer](#) 42
- [Installing the Print Drivers for a Windows USB Printer](#) 43
- [Installing the Drivers and Utilities for Macintosh OS X Version 10.5 and Later](#) 44

Before installing driver software, verify that the printer is plugged in, turned on, connected correctly, and has a valid IP address. The IP address usually appears in the upper right corner of the control panel. If you cannot find the IP address, see [Finding the IP Address of Your Printer](#) on page 27.

If the *Software and Documentation disc* is not available, download the latest drivers from www.xerox.com/office/WC6027drivers.

Operating System Requirements

- Windows XP SP3, Windows Vista, Windows 7, Windows 8, Windows Server 2003, Windows Server 2008, Windows Server 2008 R2, and Windows Server 2012.
- Macintosh OS X version 10.5 and later
- UNIX and Linux: Your printer supports connection to various UNIX platforms through the network interface.

Available Print Drivers

To access special printing options, use a Xerox® print driver. The following print drivers are available for various operating systems. To download the latest driver, go to www.xerox.com/office/WC6027drivers.

Print Driver	Source	Description
Windows PCL Driver	<i>Software and Documentation disc and Web</i>	PCL is the default print driver. PCL provides optimal print speed and compatibility with documents created for older printers.
Windows PostScript Driver	<i>Software and Documentation disc and Web</i>	To take full advantage of the custom features of your printer, use the PostScript print driver.
Macintosh OS X version 10.5 and later PostScript Driver	<i>Software and Documentation disc and Web</i>	This print driver enables printing from a Macintosh OS X version 10.5 and later operating system.

Installing the Print Drivers for a Windows Network Printer

1. Insert the *Software and Documentation disc* into the appropriate drive on your computer. If the installer does not start automatically, navigate to the drive, and double-click the **Setup.exe** installer file.
2. Click **Install Software**.
3. At the License Agreement, select **I Agree**, then click **Next**.
4. Select **Network Installation**, then click **Next**.
5. From the list of discovered printers, select your printer, click **Add Printer**, then click **Next**.

Notes:

- When installing drivers for a network printer, if you do not see your printer in the list, click the **IP Address or DNS Name** button. In the IP Address or DNS Name field, type the IP address of your printer, then click **Search** to locate your printer. If you do not know the IP address of the printer, see [Finding the IP Address of Your Printer](#) on page 27.
 - To enable continued use of the printer even if the IP Address assigned by the DHCP server changes, you can use the installer or CentreWare Internet Services.
6. In the printer list, select your printer.
Note: You can name your printer and choose to share it on the network or set it as your default printer.
 7. Click **Next**.
 8. In the Software and Documentation window, clear the check box for any undesired options.
 9. Click **Next**.
 10. To complete the installation, click **Finish**.

The following applications are installed on your computer with the print driver:

- PrintingScout
- Launcher
- Express Scan Manager
- Address Book Editor

See also:

Online Support Assistant at: www.xerox.com/office/WC6027support

Installing the Print Drivers for a Windows USB Printer

1. Insert the *Software and Documentation disc* into the appropriate drive on your computer.
If the installer does not start automatically, navigate to the drive, and double-click the **Setup.exe** installer file.
2. Click **Install Software**.
3. At the License Agreement, select **I Agree**, then click **Next**.
4. To install the printer support software, select **Software**, then click **Next**.
5. In the Software and Documentation window, clear the check box for any undesired options.
6. Click **Next**.
7. To complete the installation, click **Finish**.

Installing the Drivers and Utilities for Macintosh OS X Version 10.5 and Later

This section includes:

- [Installing the Print Driver](#)..... 44
- [Adding the Printer](#)..... 45
- [Utilities](#) 45

To access all features of the printer, you must:

1. Install the print driver.
2. Add the printer.

Note: Before installing drivers, verify that the printer is plugged in, turned on, and connected to an active network or by USB. Ensure that the printer is receiving network information by monitoring the LEDs on the back of the printer near the Ethernet cable connection. When the printer is connected to a functioning network and receiving traffic, the link LED is green, and its amber traffic LED flashes rapidly.

Installing the Print Driver

1. Insert the *Software and Documentation disc* into the appropriate drive on your computer.

Note: If the *Software and Documentation disc* is not available, you can download the latest drivers from www.xerox.com/office/WC6027drivers.

2. Double-click **WorkCentre 6027 Installer**.
3. At the Introduction installer window, click **Continue**.
4. At the License Agreement, select **I Agree**, then click **Next**.
5. Select the destination disk, then click **Continue**.
6. To change the location of the driver installation, click **Change Install Location**.
7. Click **Install**.
8. If prompted, enter your password, then click **OK**.
9. Click **Continue Installation**.
10. To complete the installation and restart your computer, when the print driver finishes installing, click **Restart**.

Adding the Printer

For networking, set up your printer using Bonjour (Rendezvous), or connect using the IP address of your printer for an LPD/LPR connection. For a non-network printer, create a desktop USB connection.

To add the printer using Bonjour:

1. From the computer Applications folder or from the dock, open **System Preferences**.
2. Click **Print & Fax**.
The list of printers appears on the left of the window.
3. Click the plus button (+) under the list of printers.
4. Click the **Default** icon at the top of the window.
5. Select your printer from the list and click **Add**.

Note: If your printer was not detected, verify that the printer is on and that the Ethernet or USB cable is connected properly.

To add the printer by specifying the IP address:

1. From the computer Applications folder or from the dock, open **System Preferences**.
2. Click **Print & Fax**.
The list of printers appears on the left of the window.
3. Click the plus button (+) under the list of printers.
4. Click **IP**.
5. From the Protocol drop-down menu, select the protocol.
6. In the Address field, enter the IP address of the printer.
7. In the Name field, enter a name for the printer.
8. From the Print Using drop-down list, choose **Select a driver to use**.
9. Select the print driver for your printer model from the list.
10. Click **Add**.

Now you can print and scan. For details, see [Printing](#) on page 127 and [Scanning](#) on page 93.

See also:

Online Support Assistant at: www.xerox.com/office/WC6027support

Utilities

The Address Book Editor and Express Scan Manager are installed automatically when you install the scan driver. For details, see [Installing the Drivers and Utilities for Macintosh OS X Version 10.5 and Later](#) on page 44.

Configuring Network Settings

This section includes:

- [About TCP/IP and IP Addresses.....](#) 46
- [Finding the IP Address of the Printer Using the Control Panel](#) 46
- [Assigning the Printer IP Address.....](#) 48
- [Enabling the Printer for Scanning.....](#) 51
- [Setting Up the Network Address Book.....](#) 52

About TCP/IP and IP Addresses

Computers and printers use TCP/IP protocols to communicate over a network. Macintosh computers use either TCP/IP or the Bonjour protocol to communicate with a network printer. For Macintosh OS X systems, TCP/IP is preferred.

With TCP/IP protocols, each printer and computer must have a unique IP address. Many networks as well as cable and DSL routers have a DHCP server. A DHCP server assigns an IP address to every computer and printer on the network that is configured to use DHCP, automatically.

If you are connected to the Internet using cable or DSL, check with your carrier for information on IP addressing.

Finding the IP Address of the Printer Using the Control Panel

To install the print drivers for a network-connected printer, you need the IP address of your printer. You also need the IP address to access the settings of your printer through CentreWare Internet Services. You can view the IP address of your printer on the Configuration Page or on the control panel.

After the printer has been on for two minutes, you can print the Configuration Page. The TCP/IP address appears in the Network section of the page. If the IP address listed on the page is 0.0.0.0, the printer needs more time to acquire an IP address from the DHCP server. Wait two minutes, then print the Configuration Page again.

To print the Configuration Page:

1. At the printer control panel, press the Menu button.

Note: To navigate through the menu, use the up or down arrow buttons.

2. Navigate to Information Pages, then press **OK**.
3. Navigate to **Configuration**, then press **OK**.

The IP address of the printer is listed in the Wired Network section of the page.

To view the IP address of the printer on the control panel:

1. At the printer control panel, press the Menu button.

Note: To navigate through the menu, use the up or down arrow buttons.

2. Navigate to **Admin Settings**, then press **OK**.
3. Navigate to Network Setup, then press **OK**.
4. Navigate to **TCP/IP**, then press **OK**.
5. Navigate to **IPv4**, then press **OK**.
6. Navigate to **IP Address**, then press **OK**.

The IP address of the printer appears on the IP Address screen.

Assigning the Printer IP Address

This section includes:

- [Assigning the IP Address Automatically](#) 48
- [Assigning the IP Address Manually](#) 49
- [Changing the IP Address Using CentreWare Internet Services](#) 50
- [Changing the IP Address Using the Installer with USB](#) 51

By default, the printer is set to acquire an IP address from the network server using DHCP. Network addresses assigned by DHCP are temporary, however. After a specified time, the network could assign a new IP address to the printer. If the print driver is set to an IP address that changes periodically, you can experience connectivity issues. To avoid problems, or if your network administrator requires a static IP address for the printer, you can assign the IP address to the printer.

Note: You can view the IP address of your printer on the control panel or on the Configuration Report. For details, see [Printing the Configuration Report](#) on page 46.

See also:

[Assigning the IP Address Manually](#) on page 49

[Finding the IP Address of Your Printer](#) on page 27

Assigning the IP Address Automatically

1. At the printer control panel, press the **Machine Status** button.
2. Touch the **Tools** tab.
3. Touch **Admin Setting > Network**.
4. Touch **Ethernet > TCP/IP > Get IP Address**.
5. To configure the printer to get an IP address from the server automatically or set its own IP address, select an option:
 - **DHCP/AutoIP:** You can set a random IP address range of 169.254.1.0 to 169.254.254.255 that is not currently in use on the network. The network mask is set as 255.255.0.0.
 - **BOOTP:** You can obtain an IP address from a BOOTP server that does not respond to DHCP requests.
 - **RARP:** You can obtain an IPv4 address from an administrative host server.
 - **Panel:** You can set the IP address manually from the printer control panel.

Note: For best results in most networks, select **DHCP/AutoIP**.

6. Touch **OK**.
7. At the Restart System prompt, touch **Close**.

Assigning the IP Address Manually

You can assign a static IP address to your printer from the printer control panel. Once an IP address is assigned, you can change it using CentreWare Internet Services.

To assign a static IP address to the printer, you need the following information:

- An IP address properly configured for your network
- The Network Mask address
- The default Router/Gateway address

If you are on a network managed by a network administrator, contact your network administrator to obtain the network information.

For a home network using routers or other devices to connect the printer to the network, refer to the device instructions on assigning network addresses. The router or device documentation can give you a range of acceptable address numbers you can use. It is important that the addresses be similar to the IP addresses used by other printers and computers on the network, but not the same. Only the last digit must be different. For example, your printer can have the IPv4 address 192.168.1.2 while your computer has the IP address 192.168.1.3. Another device can have the IP address 192.168.1.4.

The router could assign the static IP address of the printer to another computer that obtains its IP address dynamically. To avoid having the IP address reassigned, give the printer an address at the higher end of the range allowed by the router or device. For example, if your computer has IP address 192.168.1.2, and your device allows IP addresses to 192.168.1.25, select an address between 192.168.1.20 and 192.168.1.25.

In IPv6 network configurations, the IPv6 address is assigned automatically.

To assign a static IP address to the printer:

1. At the printer control panel, press the **Machine Status** button.
2. Touch the **Tools** tab.
3. Touch **Admin Setting > Network**.
4. Touch **Ethernet > TCP/IP > Get IP Address**.
5. Touch **Panel > OK**.
6. At the Restart System prompt, touch **Close**.
7. Touch **IP Address**.
8. Using the keypad, enter the address as X.X.X.X, where X is a number from 0–255:
 - To clear an existing number from a cell, press **Clear**.
 - To enter a one or two-digit number, to advance to the next cell, touch the **Right** arrow.
When you enter the third digit of a three-digit number, the cursor automatically advances to the next cell.
 - After entering the number in the last cell, touch **OK**.
9. At the Restart System prompt, touch **Close**.
10. Touch **Subnet Mask**.

11. Using the keypad, enter the address as X.X.X.X, where X is a number from 0–255:
 - To clear an existing number from a cell, press **Clear**.
 - To enter a one or two-digit number, to advance to the next cell, touch the **Right** arrow.
When you enter the third digit of a three-digit number, the cursor automatically advances to the next cell.
 - After entering the number in the last cell, touch **OK**.
12. At the Restart System prompt, touch **Close**.
13. Touch **Gateway Address**.
14. Using the keypad, enter the address as X.X.X.X, where X is a number from 0–255:
 - To clear an existing number from a cell, press **Clear**.
 - To enter a one or two-digit number, to advance to the next cell, touch the **Right** arrow.
When you enter the third digit of a three-digit number, the cursor automatically advances to the next cell.
 - After entering the number in the last cell, touch **OK**.
15. At the Restart System prompt, touch **Close**.
16. Turn off the printer, then turn it on again.

See also:

Online Support Assistant at: www.xerox.com/office/WC6027support

Changing the IP Address Using CentreWare Internet Services

To change the IP address of the printer using CentreWare Internet Services:

1. At your computer, open a Web browser, in the address field, type the IP address of the printer, then press **Enter** or **Return**.
Note: If you do not know the IP address of your printer, see [Finding the IP Address of Your Printer](#) on page 27.
2. Click the **Properties** link.
If the Protocols link is not expanded under Properties, scroll to the Protocols link and expand it.
3. Click **TCP/IP**.
4. In the IPv4 section of the page, make the desired changes. For example, to change the way the printer acquires the IP address, in the Get IP Address field, select a method from the drop-down list.
5. After changing the address information, scroll to the bottom of the page and click **Save Changes**.

Changing the IP Address Using the Installer with USB

1. From your installer disk, click **Setup Printer and Install Software**.
2. At the License Agreement, select **I Agree**, then click **Next**.
3. On the Select a Connection Method screen, click **Wireless**.
4. On the Select a Wireless Setup Method screen, click **Search for Networks**.
5. Ensure that the USB cable is connected properly.
6. Select a network, then click **Next**.
7. Enter the passphrase for your wireless network, then click **Next**.
8. For the Configure Printer screen, click **Advanced**.
9. For the IP Address Settings screen, modify the settings as needed then, click **Next**.
10. At the prompt, remove the USB cable from the printer, then click **Next**.
11. In the printer list, select your printer.
12. In the Software and Documentation window, clear the check box for any undesired options.
13. Click **Next**.
14. To complete the installation, click **Finish**.

Enabling the Printer for Scanning

If the printer is connected to a network, you can scan to an FTP address, an email address, or a shared folder on your computer. First you must set up scanning in CentreWare Internet Services. For details, see [CentreWare Internet Services](#) on page 27.

If the printer is connected with a USB cable, you can scan to a folder on your computer, or scan into an application. First you must install the scan drivers and the Express Scan Manager utility.

Note: If your printer is connected using the USB cable, you cannot scan to an email address or a network location, such as a shared folder on your computer.

For details, see [Scanning Setup Overview](#) on page 77.

Setting Up the Network Address Book

Before you can use the Network Address Book, configure the printer to communicate with the LDAP server.

To set up the Network Address Book:

1. At your computer, open a Web browser, in the address field, type the IP address of the printer, then press **Enter** or **Return**.
2. Click **Properties > Protocols > LDAP Server**.
3. For IP Address/Host Name & Port, enter the IP address or DNS name for the LDAP server, then enter the port number for LDAP.
4. Type the root path of the search directory in the Search Directory Root field using Base DN format. For details on Base DN formatting, see the *RFC 2849 - LDAP Data Interchange Format (LDIF) Technical Specification* on the IETF website.
5. Enter a valid login name and password.
6. Select one or more options.
 - To enable the Network Address Book for the Scan to Email service, select **Server Email Address Book**.
 - To enable the Network Address Book for the Fax service, select **Server Fax Address Book**.
7. Click **Save Changes**.

Configuring General Settings Using CentreWare Internet Services

This section includes:

- [Viewing Printer Information](#) 53
- [Configuring Tray Settings](#) 53
- [Configuring Printer Defaults](#) 54
- [Resetting the Printer](#) 54

You can configure general printer settings from your computer using your Web browser and CentreWare Internet Services.

Note: A USB connection does not provide access to CentreWare Internet Services.

Viewing Printer Information

1. At your computer, open a Web browser, in the address field, type the IP address of the printer, then press **Enter** or **Return**.
2. In CentreWare Internet Services, click **Properties**.
3. To expand the menu, in the Properties pane, for the General folder, click the plus symbol (+).
4. For Printer Defaults, locate the printer model number, serial number, and printer name.
5. For Port Enabling, locate the version numbers for each of the page description languages that are installed on the printer.

Configuring Tray Settings

Use this menu to configure the paper trays for the paper size and type, set custom sizes, and turn the display prompts on and off.

To configure the tray settings:

1. From the General menu, click **Tray Management**.
2. For Tray Settings, from the lists, select the paper size and paper type.
3. For custom paper sizes, for Custom Paper Length - Y, type a length, and for Custom Paper Width - X, type a width.
4. To set the display to prompt you for the paper settings each time the paper tray is loaded, for Tray Display Prompt, select **On**.
5. Click **Save Changes**.

Configuring Printer Defaults

The Printer Defaults page displays the printer model information and product code or serial number. It also provides a place to enter the name and location of the printer and the name and email address of the contact.

1. At your computer, open a Web browser, in the address field, type the IP address of the printer, then press **Enter** or **Return**.
2. In CentreWare Internet Services, click **Properties**.
3. To expand the menu, in the Properties pane, for the General folder, click the plus symbol (+).
4. Click **Printer Defaults**.
5. In the fields, type descriptive information as needed.
6. Click **Save Changes**.

Resetting the Printer

Using Software Resets to restart the printer is faster and wastes fewer consumables than powering the printer on and off. Restarting the printer can take up to five minutes during which time CentreWare Internet Services is not available.

1. At your computer, open a Web browser, in the address field, type the IP address of the printer, then press **Enter** or **Return**.
2. In CentreWare Internet Services, click **Properties**.
3. To expand the menu, in the Properties pane, for the General folder, click the plus symbol (+).
4. From the General menu, click **Resets**.
5. To reset the network memory and restart the printer, for Reset network memory and restart the printer, click **Start Printer**.
6. To restart the printer without resetting any of the default settings, for Restart the printer, click **Start Printer**.

Configuring General Setup Using the Control Panel

This section includes:

- [Accessing Information About the Printer Using the Control Panel.....](#) 55
- [Using the Power On Wizard.....](#) 55
- [Configuring General Settings.....](#) 57
- [Configuring the Timers Using the Control Panel.....](#) 60
- [Configuring Tray Settings](#) 61

Accessing Information About the Printer Using the Control Panel

1. At the printer control panel, press the **Machine Status** button.
2. Touch **Information Pages**.
3. To scroll through the lists of information pages, use the **Up** or **Down** arrows on the touch screen.
4. To print a specific information page, touch the page, then touch **Print**.

Using the Power On Wizard

The Power On Wizard helps to configure several preliminary settings for the printer, including the country, date, time, and time zone.

To use the Power On Wizard to set up the printer:

1. At the printer control panel, press the **Machine Status** button.
2. Touch **Tools > Admin Settings**.
3. Touch **System Settings**, then touch **General**.
4. To navigate to the Power On Wizard, use the **Up** or **Down** arrows, then select **Power On Wizard**.
5. At the prompt, touch **Start**.
6. At the message for Restart is Required, touch **Yes, Restart**.
7. To select your language, use the **Up** or **Down** arrows to navigate, touch your language, then touch **Next**.
8. To select your time zone:
 - a. Touch **Time Zone**.
 - b. Use the **Up** or **Down** arrows to navigate, select your geographic region and your time zone, then touch **OK**.

9. To set the date:
 - a. Touch **Date**.
 - b. Touch **Format** touch the date format that you want to use, then touch **X**.
 - c. Touch **Month**, then use the keypad to enter the month.
 - d. Touch **Day**, then use the keypad to enter the date.
 - e. Touch **Year**, then use the keypad to enter the year.
 - f. Touch **OK**.
10. To set the time:
 - a. Touch **Time**.
 - b. To select the format, touch **12 Hour** or **24 Hour**.
 - c. Touch **Hour**, then use the keypad to enter the hour.
 - d. Touch **Minute**, then use the keypad to enter the minutes.
 - e. Touch **OK**.
11. Touch **Next**.
12. At Do you want to set up Fax now?, select an option.
13. To set up the fax:
 - a. Use the keypad to enter the fax number.
 - b. Touch **Country**.
 - c. Use the **Up** or **Down** arrows to navigate, then touch the name of your country.
 - d. Touch **Next**.
14. At Do you want to set up Email now?, select an option.
15. To select how you would like to find an outgoing mail server, select **Find It For Me** or **I Know My SMTP**.
16. If you selected Find It For Me:
 - a. Touch **Next**.
 - b. Select a server from the list.
 - c. Touch **Next**.
The printer runs a test on the SMTP mail server.
17. If you selected I Know My SMTP:
 - a. Touch **Next**.
 - b. Use the keypad to enter the SMTP server name.
 - c. Touch **Next**.
 - d. Enter the port number for the SMTP server.
 - e. Touch **Next**.
The printer runs a test on the SMTP mail server.
18. Touch **Done**.

Configuring General Settings

This section includes:

- [Accessing the General Settings Menu](#)..... 57
- [Configuring the Power Saver Timers](#) 57
- [Setting the Date and Time](#) 58
- [Setting the Measurement Units](#) 58
- [Setting the Display Brightness](#) 58
- [Configuring Audio Tones](#)..... 59
- [Configuring OffHook Wake Up](#)..... 59
- [Enabling the Fax Server Address Book](#)..... 59
- [Enabling the Email Server Address Book](#)..... 59
- [Setting the Paper Size/Type Error Alert](#) 60

Use this menu to configure general settings of the printer. For example, time to Energy Saver mode, alarm settings, and so on.

Accessing the General Settings Menu

1. At the printer control panel, press the **Machine Status** button.
2. Touch **Tools > Admin Settings**.
3. Touch **System Settings**, then touch **General**.

Configuring the Power Saver Timers

1. At the printer control panel, press the **Machine Status** button.
2. Touch **Tools > Admin Settings**.
3. Touch **System Settings**, then touch **General**.
4. Touch **Power Saver Timer**.
5. Touch either **Low Power Timer** or **Sleep Timer**.
6. To increase or decrease the number of minutes before the printer enters Power Saver mode, touch the Plus (+) or Minus (-) buttons, then touch **OK**.
7. To return to the General menu, touch the **Back** arrow.

Setting the Date and Time

1. At the printer control panel, press the **Machine Status** button.
2. Touch **Tools > Admin Settings**.
3. Touch **System Settings**, then touch **General**.
4. Touch **Date and Time**.
5. Touch **Time Zone**.
6. Use the **Up** or **Down** arrows to navigate, select your geographic region and time zone, then touch **OK**.
7. Touch **Date**.
8. For **Month**, **Day**, and **Year**, to enter a value, touch Plus (+) or Minus (-).
9. Touch **OK**.
10. Touch **Time**.
11. To select the format, touch **12 Hour** or **24 Hour**.
12. To enter the hour, touch **Hour**, then use the keypad.
13. To enter the minutes, touch **Minute**, then use the keypad.
14. Touch **OK**.
15. To return to the General menu, touch the **Back** arrow.

Setting the Measurement Units

1. At the printer control panel, press the **Machine Status** button.
2. Touch **Tools > Admin Settings**.
3. Touch **System Settings**, then touch **General**.
4. Touch **Measurement**.
5. To select an option for units, touch **millimeter (mm)** or **inches (")**.
6. Touch **OK**.

Setting the Display Brightness

1. At the printer control panel, press the **Machine Status** button.
2. Touch **Tools > Admin Settings**.
3. Touch **System Settings**, then touch **General**.
4. Touch **Display Brightness**.
5. Touch - or + on the display or use the keypad to enter a number from 1 through 10.
6. Touch **OK**.

Configuring Audio Tones

1. At the printer control panel, press the **Machine Status** button.
2. Touch **Tools > Admin Settings**.
3. Touch **System Settings**, then touch **General**.
4. Touch **Audio**.
5. Select the tone you want to change, then select an option.
6. Repeat step 2 for each tone you want to set.
7. To return to the General menu, touch the **Back** arrow.

Configuring OffHook Wake Up

1. At the printer control panel, press the **Machine Status** button.
2. Touch **Tools > Admin Settings**.
3. Touch **System Settings**, then touch **General**.
4. Touch **OffHook Wake Up**.
5. To have the printer exit Power Saver mode when you pick up the external telephone handset, touch **On**.
6. Touch **OK**.

Enabling the Fax Server Address Book

To enable the Network Address Book for the fax service, you can use Server Fax Address Book.

1. At the printer control panel, press the **Machine Status** button.
2. Touch **Tools > Admin Settings**.
3. Touch **System Settings**, then touch **General**.
4. Touch **Fax Server Address Book**, then touch **On**.
5. Touch **OK**.

Enabling the Email Server Address Book

To enable the Network Address Book for the Scan to Email service, you can select Email Server Address Book.

1. At the printer control panel, press the **Machine Status** button.
2. Touch **Tools > Admin Settings**.
3. Touch **System Settings**, then touch **General**.
4. Touch **Email Server Address Book**, then touch **On**.
5. Touch **OK**.

Setting the Paper Size/Type Error Alert

You can set the printer to alert you when the paper size or type does not match the settings in the Tray Settings menu. The default option is On (Except A4/Ltr). The On (Except A4/Ltr) setting directs the printer to alert you for all errors except mismatches between A4 and Letter sizes.

To set the Show Paper Size/Type Error alert:

1. At the printer control panel, press the **Machine Status** button.
2. Touch **Tools > Admin Settings**.
3. Touch **System Settings**, then touch **General**.
4. Touch **Show Paper Size/Type Error**.
5. Touch **On** or **On (Except A4/Ltr)**.
6. Touch **OK**.

Configuring the Timers Using the Control Panel

Use the Timers menu to set the timeouts for the control panel touch screen, for faults, and for jobs being sent to the printer.

To configure the timers:

1. At the printer control panel, press the **Machine Status** button.
2. Touch **Tools > Admin Settings**.
3. Touch **System Settings > Timers**.
4. To set the delay before the control panel times out, touch **Front Panel**, touch the delay that you want, then touch **OK**.
5. To set how long the printer waits before canceling a print job that stops abnormally:
 - a. Touch **Fault Timeout > On**.
 - b. To change the delay time, touch Plus (+) or Minus (-). The range is 3–300 seconds.
 - c. Touch **OK**.
6. To set how long the printer waits for data to arrive from a computer:
 - a. Touch **Job Timeout > On**.
 - b. To change the delay time, touch Plus (+) or Minus (-). The range is 5–300 seconds.
 - c. Touch **OK**.
7. To return to the System Settings menu, touch the back arrow. To return to the Services Home menu, press the **Services Home** button.

Configuring Tray Settings

You can use the Tray Management menu to configure the paper tray for the paper size and type, set custom sizes, and turn the display prompts on or off.

To configure the tray settings:

1. At the printer control panel, press the **Machine Status** button.
2. Touch **Tools > Paper Tray Settings**.
3. To configure the printer prompt you to set the paper type and size when paper is loaded, select **Display Tray Prompt**.
4. To select a paper or envelope size, touch **Size**.
5. To navigate, touch the arrows, touch a size, then touch **Size** again.
6. To select a paper type, touch **Type**.
7. To navigate, touch the **Up** or **Down** arrows, touch a paper type, then touch **Type** again.
8. Touch **OK**.
9. To return to the previous menu, touch the **Back** arrow. To return to the Services Home menu, press the **Services Home** button.

Configuring Fax Defaults and Settings

This section includes:

- [Configuring Fax Settings from CentreWare Internet Services](#) 62
- [Setting Fax Defaults from the Control Panel](#)..... 64
- [Configuring Fax Settings at the Control Panel \(Bridgetown\)](#) 64

It is unlawful to send a message from a fax machine without the proper Fax Send Header information. The following information must appear on the first transmitted page, or in the top or bottom margin of each transmitted page:

- Identity of the business or individual sending the fax
- Telephone number of the sending machine
- Date and time of the transmission

Proper configuration of the fax requires setting up the Fax Defaults and Configuring the Fax Settings. You can configure the defaults and settings from the printer control panel or from CentreWare Internet Services.

Configuring Fax Settings from CentreWare Internet Services

If your printer is connected to your computer through a wired or wireless network connection, use CentreWare Internet Services to configure the fax settings.

To use CentreWare Internet Services to configure fax settings:

1. At your computer, open a Web browser, in the address field, type the IP address of the printer, then press **Enter** or **Return**.

Note: If you do not know the IP address of your printer, see [Finding the IP Address of Your Printer](#) on page 27.

2. In CentreWare Internet Services, click **Properties**.
3. In the Properties pane, under Fax, click **Fax Settings**.

Note: For details, see the Help in CentreWare Internet Services.

4. In the Fax Line Settings, enter the Fax Number and Company Name, then select the other fax line settings from each of the lists.
5. In the Incoming Defaults section:
 - a. Select the settings for the Receive Mode, Ring Tone Volume, and Discard Size from the lists.
 - b. Set the Auto Answer times, in seconds, for auto answer in each of the modes.
 - c. Enter a Remote Receive Tone value as needed. The range is 00–99.

6. In the Forward Settings section, next to Forward Settings, select an option:
 - **Off:** Disables fax forwarding.
 - **Forward:** Directs all incoming faxes to the forwarding number.
 - **Print and Forward:** Prints incoming faxes and forwards them to the forwarding number.
 - **Print and Email:** Prints incoming faxes and forwards it to an email address.

Note: For the Print and Email function to operate, configure the Email Settings with a valid SMTP server.

 - **Forward to Server:** Forwards incoming faxes to a server.
 - **Print and Forward to Server:** Prints incoming faxes and forwards them to a server.
7. To enter a forwarding fax number, under Forward to Fax, enter a number in the Forwarding number field.
8. To enter up to five email addresses, under Forward to Email, enter a valid email address in each of the Forwarding Email Address fields.
9. To enter server information, under Forward to Server:
 - Next to Server Type, select the server type from the list.
 - Next to Host Address (IP Address or DNS Name), enter a valid IP address or DNS name for the server.
 - Next to Port Number, enter a valid port number for the server type selected.
 - Next to Login Name, enter the user name for logging in to the server.
 - Next to Login Password and Re-enter Password, enter the password for logging in to the server.
 - Next to Name of Shared Directory, enter the name of the directory for storing faxes.
 - Next to Subdirectory Path, enter a name for a path for storing files within the shared directory as needed.
10. In the Transmission Defaults, select the modes for Prefix Dial and Fax Cover Page, then enter the Prefix Dial Number and redial information.
11. In the Fax Reports section, from each list, select the condition when the printer prints a fax report.
12. Click **Save Changes**.

Setting Fax Defaults from the Control Panel

1. At the printer control panel, press the **Machine Status** button.
2. Touch **Tools**, then touch **Service Defaults**.
3. Touch **Fax Defaults**.
4. Touch **Resolution**, select the default resolution for fax transmissions, then touch **OK**.
5. Touch **Lighten/Darken**, use the scale to make the fax lighter or darker, then touch **OK**.
6. To select a delayed transmission time, touch **Delayed Send**.
7. Touch the hour field, then use the keypad to enter the hour.
8. Touch the minute field, then use the keypad to enter the minutes.
9. Touch **AM** or **PM**.
10. To save the setting, touch **OK**.
11. To return to the Services Home menu, press the **Services Home** button.

Note: If your printer is connected to your computer through a wired or wireless network connection, use CentreWare Internet Services to configure the fax settings.

Configuring Fax Settings at the Control Panel (Bridgetown)

Note: If your printer is connected to your computer through a wired or wireless network connection, use CentreWare Internet Services to configure the fax settings.

There are four areas to configure in Fax Settings:

- Fax Line Settings
- Incoming Defaults
- Transmission Defaults
- Fax Reports

For proper fax operation, before you use the fax, configure all of the settings. You can change the settings using the control panel or CentreWare Internet Services.

Configuring Fax Line Settings from the Control Panel

1. At the printer control panel, press the **Machine Status** button.
2. Touch **Tools > Admin Settings**.
3. Touch **Fax Settings**.
4. Touch **Fax Line Settings**.
5. Touch **Fax Number**, enter the fax line number, then touch **OK**.
6. Touch **Country**, use the arrow keys to scroll through the lists, select your country, then touch **OK**.
7. At the Restart is Required message, to save the settings and restart the printer, click **Yes, Save**.

Note: If this time is the first for fax setup, restart the printer to have the remaining menu selections appear.

8. At the printer control panel, press the **Machine Status** button.
9. Touch **Tools > Admin Settings**.
10. Touch **Company Name**, enter the company name on the touch pad, then touch **OK**.
11. Touch **Line Type**, select **PSTN** or **PBX**, then touch **OK**. At the Restart System prompt, touch **Close**.
12. To select the next screen, touch the **Up** and **Down** arrows on the display.
13. Touch **Line Monitor**, touch to select the level, then touch **OK**. At the Restart System prompt, touch **Close**.
14. Touch **DRPD Patterns**, touch to select a pattern, then touch **OK**. At the Restart System prompt, touch **Close**.
15. Touch **Extel Hook Threshold**, touch to select the level, then touch **OK**. At the Restart System prompt, touch **Close**.
16. Touch the **Back** arrow to return to the Fax Settings menu or press the **Services Home** button to return to Service Home.

Configuring Fax Incoming Defaults from the Control Panel

1. At the printer control panel, press the **Machine Status** button.
2. Touch **Tools > Admin Settings**.
3. Touch **Fax Settings**.
4. Touch **Incoming Defaults**.
5. Use the **Up** and **Down** arrows to navigate between the lists.
6. Touch **Receive Mode**, touch the mode to select it, then touch **OK**.
7. Touch **Ring Tone Volume**, select the volume, then touch **OK**. At the Restart System prompt, touch **Close**.
8. Touch **Auto Answer Setup**.
 - a. Select the appropriate setup for your fax set:
 - **Auto Answer** for a fax line that is hooked up without a telephone or answering machine.
 - **Auto Answer TEL/FAX** for a fax line that is hooked up with a telephone.
 - **Auto Answer ANS/FAX** for a fax line that is hooked up with an answering machine.
 - b. Next to your selection, use the keypad to enter the delay before the printer answers.
 - c. To return to incoming defaults, touch the **Back** arrow.

9. To reject faxes sent from unwanted sources:
 - a. Touch **Junk Filter**, then touch **On** or **Off**.
 - b. Touch **OK**.
 - c. At the Restart System prompt, touch **Close**.
 - d. To return to incoming defaults, touch the **Back** arrow.
10. To configure Secure Receive:

Note: To use Secure Receive, set up Panel Lock first.

 - a. Touch **Secure Receive**.
 - b. Touch **Secure Receive Set**, select **Enable**, then enter a four-digit PIN.
 - c. Touch the **Back** arrow to return to Incoming Defaults.
11. To configure how faxes are forwarded:
 - a. Touch **Forward Settings**.
 - b. To forward the fax without printing, touch **Forward**, enter the forwarding number, then touch **OK**.
 - c. To print the fax then forward it to another number, touch **Print and Forward**, enter the forwarding number, then touch **OK**.
 - d. At the Restart System prompt, touch **Close**.
12. To have faxes printed on both sides of the sheets:
 - a. Touch **2-Sided Printing**, select **On**, then touch **OK**.
 - b. At the Restart System prompt, touch **Close**.
13. To receive a fax while using the external telephone after hearing a fax tone:
 - a. Touch **Remote Receive**, then touch **On**.
 - b. Enter a two-digit tone code, then touch **OK**.
 - c. At the Restart System prompt, touch **Close**.
14. To instruct the printer what to do when it receives a document longer than the paper loaded in your printer:
 - a. Touch **Discard Size**.
 - b. To have the printer print oversized faxes on two sheets of paper, select **Off**.
 - c. To have the printer reduce the size of the incoming fax so that it fits the selected paper, select **Auto Reduction**.
 - d. To have the printer discard the data or image that falls outside the margins of the selected paper, select **On**.
 - e. Touch **OK**.
 - f. At the Restart System prompt, touch **Close**.
 - g. Touch the **Back** arrow to return to the previous menu, or press the **Services Home** button to return to Service Home.

Configuring Fax Transmission Defaults from the Control Panel

1. At the printer control panel, press the **Machine Status** button.
2. Touch **Tools > Admin Settings**.
3. Touch **Fax Settings**.
4. Touch **Transmission Defaults**.
5. To configure the printer to auto redial a busy number or a line that does not answer:
 - a. Touch **Auto Redial Setup**.
 - b. To change the number of redial attempts, touch **Number of Redial**, enter a number from 0–9, then touch **OK**.
 - c. Touch **OK**.
 - d. At the Restart System prompt, touch **Close**.
6. To change the interval between the redial attempts:
 - a. Touch **Redial Interval**, then enter a number from 1–15 for the delay in minutes.
 - b. Touch **OK**.
 - c. At the Restart System prompt, touch **Close**.
7. To change the interval between resend attempts:
 - a. Touch **Interval Timer**, then enter a number from 3–255 for the delay in seconds.
 - b. Touch **OK**.
 - c. At the Restart System prompt, touch **Close**.
 - d. Touch the **Back** arrow to return to Transmission Defaults.
8. To select the dialing type for your outgoing faxes:
 - a. Touch **Dial Type**.
 - b. Select an option:
 - **PB** uses push-button tone dialing.
 - **DP (10 PPS)** sets 10 pulse per second dialing pulses as the dial type.
 - **DP (20 PPS)** sets 20 pulse per second dialing pulses as the dial type.
 - c. Touch **OK**.
 - d. At the Restart System prompt, touch **Close**.
9. To enter a prefix dial number:
 - a. Touch **Prefix Dial**, then select **On**.
 - b. Enter the prefix number, then touch **OK**.
 - c. At the Restart System prompt, touch **Close**.
10. To have the printer generate a cover page for each fax transmission, touch **Fax Cover Page**, touch **On**, then touch **OK**.
11. To enable or disable the Error Correction Mode:
 - a. Touch **ECM**, then touch **On** or **Off**.
 - b. Touch **OK**.
 - c. At the Restart System prompt, touch **Close**.

12. To select the modem speed, touch **Modem Speed**, select the transmission speed, then touch **OK**.
13. When sending a manual fax, to have the number of the recipient appear on the Sending Fax screen:
 - a. Touch **Display Manual Fax Recipients**, then touch **On**.
 - b. Touch **OK**.
14. Touch the **Back** arrow to return to the previous menu, or press the **Services Home** button to return to Service Home.

Configuring Fax Reports from the Control Panel

1. At the printer control panel, press the **Machine Status** button.
2. Touch **Tools > Admin Settings**.
3. Touch **Fax Settings**.
4. Touch **Fax Reports**.
5. To print a fax activity report after every 50 fax communications, touch **Fax Activity**, touch **Auto Print**, then touch **OK**.
6. To print a report of the transmission results after sending a fax, touch **Fax Transmit**, select an option, then touch **OK**.
7. To print a report of the transmission results after sending a fax to multiple destinations, touch **Fax Broadcast**, select an option, then touch **OK**.
8. To print a fax protocol report to help troubleshoot fax problems, touch **Fax Protocol**, select an option, then touch **OK**.
9. Touch the **Back** arrow to return to the previous menu, or press the **Services Home** button to return to Service Home.

Configuring Security Settings Using CentreWare Internet Services

This section includes:

- [Opening the Security Menu](#) 69
- [Configuring Administrative Security Settings](#)..... 69
- [Configuring IPsec Settings](#)..... 70
- [Configuring the Host Access List](#) 71
- [Configuring SSL Settings](#) 72
- [Managing Certificates](#) 73

Use security settings to configure administrative settings, authentication, user access and privileges, and service access.

Note: For details, see the Help in CentreWare Internet Services.

Opening the Security Menu

1. At your computer, open a Web browser, in the address field, type the IP address of the printer, then press **Enter** or **Return**.
2. In CentreWare Internet Services, click **Properties**.
3. In the Properties pane, to expand the menu, click the plus (+) symbol next to the Security folder.

Configuring Administrative Security Settings

1. At your computer, open a Web browser, in the address field, type the IP address of the printer, then press **Enter** or **Return**.
2. In CentreWare Internet Services, click **Properties**.
3. In the Properties pane, to expand the menu, click the plus (+) symbol next to the Security folder.
4. Click **Administrator Security Settings**.
5. To turn on administrator privileges, select **Enable Administrator Mode**.
6. Enter the user name and password, then reenter the password.
7. To enter the default user name and password, leave the fields blank, then click **OK**.
8. For Access denial by the authentication failure of the Administrator, enter the number of login attempts allowed before the user is locked out.
9. Click **Save Changes**.

Configuring IPsec Settings

IPsec is a protocol suite that uses authentication or encryption of each IP packet in a datastream to secure Internet Protocol (IP) communications. IPsec also includes protocols for cryptographic key establishment and can be implemented as part of the overall security policy for your company.

To configure IPsec Help:

1. At your computer, open a Web browser, in the address field, type the IP address of the printer, then press **Enter** or **Return**.
2. In CentreWare Internet Services, click **Properties**.
3. In the Properties pane, to expand the menu, click the plus (+) symbol next to the Security folder.
4. Click **IPsec**.
5. To use the IPsec protocol, next to Protocol, select **Enabled**.
6. Next to Shared Key, enter the shared key value, up to 255 characters long.
7. Next to Verify Shared Key, re-enter the shared key value.
8. To specify the lifetime of the secure association, next to IKE SA Lifetime, enter a number. The range is 5–28800 minutes.
9. To set the maximum time that a secure association is linked without activity, next to IPsec SA Lifetime, enter a number. The range is 5–2880 minutes.
10. To set the level of cryptographic strength, next to DH Group, select **G1** for low, and **G2** for strong.
11. To turn on Perfect Forward Security, next to PFS, select **Enabled**.
12. In the Specify Destination IPv4 Address, enter the IP address and port number as X.X. X.X/P. X must be a number from 0 through 255.
13. In the Specify Destination IPv6 Address, enter the IP address and port exactly as it appears for the destination server.
14. To specify how the printer treats data from non-IPsec devices, next to Communicate with Non-IPsec device, select an option:
 - **Bypass** directs the printer to bypass the IPsec security protocol and use the data.
 - **Discard** directs the printer to discard the data without using it.
15. Click **Save Changes**.

Configuring the Host Access List

The host access list controls access to the printer over LPR or Port 9100. You can enter up to five IP address/mask combinations, and then select to reject, accept, or turn off the filtering for each IP address. You can enter a specific IP address and address mask, or you can enter a range of IP addresses and address masks. If no IP address and address mask is entered in the host access list, there are no limitations on printer access.

You can allow printing from one specific IP address only. The access list would look like the following table:

Access List	IP Address	Address Mask	Operation
1	192.168.200.10	255.255.255.255	Accept

You can reject one specific IP address, but allow printing from any other address. The access list would look like the following table:

Access List	IP Address	Address Mask	Operation
1	192.168.200.10	255.255.255.255	Reject
2	0.0.0.0	0.0.0.0	Accept

The first row of the access list is the highest priority. If configuring a list with multiple rows, enter the smallest range first. Make the first row the most specific, and the last row the most general.

For example, you can set up the host access list to do the following:

- Accept printing from a specific network.
- Reject printing from a particular network mask within that network.
- Accept printing from one particular IP address within that network mask.

In this example, the access list would look like the following table:

Access List	IP Address	Address Mask	Operation
1	192.168.200.10	255.255.255.255	Accept
2	192.168.200.0	255.255.255.0	Reject
3	192.168.0.0	255.255.0.0	Accept

To configure the Host Access List:

1. At your computer, open a Web browser, in the address field, type the IP address of the printer, then press **Enter** or **Return**.
2. In CentreWare Internet Services, click **Properties**.
3. In the Properties pane, to expand the menu, click the plus (+) symbol next to the Security folder.
4. Click **Host Access List**.
5. In the IP Address field, enter the IP address of the host as X.X. X.X, where X is a number from 0 through 255. For example, 192.168.200.10.
6. In the Address Mask field, enter the network mask for the host as X.X. X.X, where X is a number from 0 through 255. For example, 255.255.255.255.
7. Under Operation, for the action the host takes with the IP address:
 - **Off** indicates that this row of the access list is inactive. This setting lets you enter a specific IP address or range of addresses before you plan to enforce the Accept or Reject operation.
 - **Accept** allows the specified IP address or range of addresses access to the printer.
 - **Reject** denies the specified IP address or range of addresses access to the printer.
8. Click **Save Changes**.

Configuring SSL Settings

1. At your computer, open a Web browser, in the address field, type the IP address of the printer, then press **Enter** or **Return**.
2. In CentreWare Internet Services, click **Properties**.
3. In the Properties pane, to expand the menu, click the plus (+) symbol next to the Security folder.
4. Click **SSL/TLS Server Communication**.
5. For Enable SSL, select **Enabled**.
6. To configure the printer to create a digitally signed certificate, click **Create New Certificate**.
7. To select the DKIM signature type, for Public Key Method, select **RSA/SHA-256** or **RSA/SHA-1**.
8. To select the size of the key, for Public Key Size, select the number of bits.
9. To set the number of days that the certificate is effective, for Validity, enter a number.
10. Adjust the parameters of the new digital certificate as needed, then click **Generate Certificate**.
11. For the new settings to take effect, restart your printer.

Note: After you generate a signed certificate, Certificate Management appears in the Security menu.

Managing Certificates

This section includes:

- [About Security Certificates](#) 73
- [Overview of Setting Up Digital Certificates](#)..... 73

About Security Certificates

A digital certificate is a file that contains data used to verify the identity of the client or server in a network transaction. A certificate also contains a public key used to create and verify digital signatures. One device proves its identity to another by presenting a certificate trusted by the other device. Or, the device can present a certificate signed by a trusted third party and a digital signature proving its ownership of the certificate.

A digital certificate includes the following data:

- Information about the owner of the certificate
- The certificate serial number and expiration date
- A public key
- A purpose defining how the certificate and public key can be used

This printer supports two types of certificates.

- **Device Certificate:** This certificate contains a private key and a stated purpose that allows the printer to use it to prove identity.
- **Trusted Certificate:** A self-signed certificate is a certificate from a device that verifies its identity to any devices that connect to it.

Note: This printer does not support Certificate Authority (CA) certificates.

To ensure that the printer can communicate with other devices over a secure trusted connection, both devices must have specific certificates installed.

Overview of Setting Up Digital Certificates

The following steps are an overview of the procedure to set up and use digital certificates.

1. Enable HTTPS communications.
2. Import and set up digital certificates.
 - a. Import the digital certificates.
 - b. Configure the digital certificate purpose.
 - c. Verify the digital certificate purpose.
3. Configure security features.

Enabling HTTPS Communication

1. At your computer, open a Web browser, in the address field, type the IP address of the printer, then press **Enter** or **Return**.
2. Click **Properties**.
3. Select **Security > SSL/TSL Communication**.
4. To configure the printer to create a digitally signed certificate, click **Create New Certificate**.
5. To select the DKIM signature type, for Public Key Method, select **RSA/SHA-256** or **RSA/SHA-1**.
6. To select the size of the key, for Public Key Size, select the number of bits.
7. For Issuer, type the name of the organization that issues the certificate.
8. To set the number of days that the certificate is effective, for Validity, enter a number.
9. Adjust the parameters of the new digital certificate as needed, then click **Generate Certificate**.
10. For the new settings to take effect, restart your printer.

Note: After you generate a signed certificate, Certificate Management appears in the Security menu.

11. In the address bar, type the IP address of the printer, then press **Enter** or **Return**.
12. To display the SSL page, select **Properties > Security > SSL/TSL Communication**.
13. Ensure that **Enabled SSL** is selected.

Viewing the Digital Certificate Purpose

1. At your computer, open a Web browser, in the address field, type the IP address of the printer, then press **Enter** or **Return**.
2. In CentreWare Internet Services, click **Properties**.
3. In the Properties pane, to expand the menu, click the plus (+) symbol next to the Security folder.
4. Click **Properties**.
In the navigation panel, scroll to Security, then select **Certificate Management**.

Deleting a Digital Certificate

1. At your computer, open a Web browser, in the address field, type the IP address of the printer, then press **Enter** or **Return**.
2. Click **Properties**.
3. In the navigation panel, click **Security > SSL/TLS Server Communication**, then click **Delete All Certificates**.
4. To confirm, click **Delete**.

Configuring Secure Settings Using the Control Panel

This section includes:

- [Accessing the Secure Settings Menu](#) 75
- [Setting Panel Lock](#) 75
- [Setting Service Locks](#) 76
- [Configuring Secure Settings](#)..... 76

Use this menu for controlling access to printer features.

Accessing the Secure Settings Menu

1. At the printer control panel, press the **Machine Status** button.
2. Touch **Tools > Admin Settings**.
3. Use the **Up** or **Down** arrows to navigate, then touch **Secure Settings**.

Setting Panel Lock

1. At the Secure Settings screen, touch **Panel Lock > Enable > OK**.
2. At the prompt, enter a four-digit passcode, then touch **OK**.
3. At the prompt, re-enter the passcode.
4. Touch the **Back** arrow to return to the previous menu, or press the **Services Home** button to return to Service Home.

Setting Service Locks

A list of installed services appears in this menu and lets you configure the way they appear on the control panel for non-authorized users. Each service can be set from a selection of access levels.

- Enabled allows the non-authorized users access to the service.
- Passcode Locked allows authorized users access to the service after entering a passcode.
- Color Passcode Locked allows authorized users access to a color service, such as copying, after entering a passcode.
- Disabled blocks access to the service for non-authorized users.

Note: Panel Lock must be enabled before setting the service locks.

To set the service locks:

1. From the Secure Settings menu, use the **Up** or **Down** arrows to navigate to the menu with their service listed.
2. Touch a service name.
3. Touch an access option, then touch **OK**.

Note: After setting a service lock for fax access, at the Restart prompt, touch **Close**.

Configuring Secure Settings

1. To allow users to edit the From field in emails sent from the printer, touch **Edit Email From Field > Enable > OK**.
2. To allow users to select recipients only from the phonebook or address book, touch **Confirm Recipients > Confirm Recipient > OK**.
3. To restrict emails to selected domains only, touch **Domain Filtering > Allow Domains > OK**.
4. To enable downloading firmware upgrades, touch **Software Download > Enable > OK**.
5. To set the IP address or host name to appear on the control panel screen, or to hide the network information, touch **Display Network Information**. Touch an option, then touch **OK**.
6. To limit the number of attempts allowed when logging in as an administrator, touch **Login Attempts > On**. Enter a number from 1 through 10, then touch **OK**.
7. Touch the **Back** arrow to return to the previous menu, or press the **Services Home** button to return to Service Home.

Setting Up Scanning

This section includes:

- [Scanning Setup Overview](#) 77
- [Setting Up Scanning to a Shared Folder on Your Computer](#) 78
- [Setting Up Scanning to an FTP Server](#) 80
- [Setting Up Scanning to an Email Address](#) 80
- [Setting Up Scanning With USB](#) 81

See also:

[Scanning](#) on page 93

Scanning Setup Overview

If the printer is connected to a network, it is enabled for scanning. Before you can scan, you must do the following:

- If you are scanning to a shared folder on your computer, share the folder, set the correct permissions, and add the folder as an Address Book entry in CentreWare Internet Services.
- If you are scanning to an FTP server, add the FTP server and set the correct folder permissions as an Address Book entry in CentreWare Internet Services.
- If you are scanning to an email address, configure the email server in CentreWare Internet Services.

If the printer is connected using a USB cable, you cannot scan to an email address or a network location. You can scan to a folder on your computer, or scan into an application after installing the scan drivers and the Express Scan Manager utility.

For details, see [Installing the Software](#) on page 41.

Setting Up Scanning to a Shared Folder on Your Computer

This section includes:

- [Sharing a Folder on a Windows Computer](#) 78
- [Sharing a Folder Using Macintosh OS X Version 10.5 and Later](#)..... 78
- [Adding a Folder as an Address Book Entry Using CentreWare Internet Services](#) 79

Before you can scan to a shared folder, you must share the folder, then add the folder as an Address Book entry in CentreWare Internet Services.

For details, see [CentreWare Internet Services](#) on page 27.

Sharing a Folder on a Windows Computer

1. Open Windows Explorer.
2. Right-click the folder you want to share, then select **Properties**.
3. Click the **Sharing** tab, then click **Advanced Sharing**.
4. Select **Share this folder**.
5. Click **Permissions**.
6. Select the **Everyone** group, and verify that all permissions are enabled.
7. Click **OK**.

Note: Remember the Share name for later use.

8. Click **OK** again.
9. Click **Close**.

Sharing a Folder Using Macintosh OS X Version 10.5 and Later

1. From the Apple menu, select **System Preferences**.
2. From the View menu, select **Sharing**.
3. From the Services list, select **File Sharing**.
4. Click the plus icon (+) below the Shared Folders field. A folder list appears.
5. Select the folder you want to share on the network, then click **Add**.
6. From the Users list, click **Everyone**.
7. From the list to the right of the Users window, use the arrow buttons to set user privileges to **Read & Write**.
8. Click the **Options** button.
9. To share this folder with Windows computers, select **Share files and folders using SMB**.
10. Select the **On** check box to the left of File Sharing in the Service pane.
The folder and its contents are shared with network users.
11. Close the System Preferences window.

Note: When you open a shared folder, a Shared Folder banner appears in the Finder for the folder and its subfolders.

Adding a Folder as an Address Book Entry Using CentreWare Internet Services

1. At your computer, open a Web browser, in the address field, type the IP address of the printer, then press **Enter** or **Return**.

Note: If you do not know the IP address of your printer, see [Finding the IP Address of Your Printer](#) on page 27.

2. Click **Address Book**.
3. Under Network Scan (Comp./Serv.), click **Computer/Server Address Book**.
4. Click **Add** next to any empty field, and enter the following information:
 - **Name:** Enter the name that you want to appear in the Address Book.
 - **Server Type:** Select **Computer (SMB)**.
 - **Host Address:** Enter the IP address of your computer.
 - **Port Number:** Enter the default port number for SMB, 139, or select a number from the range provided.
 - **Login Name:** Enter your computer user name.
 - **Login Password:** Enter your computer login password.
 - **Re-enter Password:** Enter your login password again.
 - **Name of Shared Directory:** Enter a name for the directory or folder. For example, if you want the scanned files to go in a folder named *scans* type **scans**.
 - **Subdirectory Path:** Enter the path of the folder on the FTP server. For example, if you want the scanned files to go in a folder named *colorscans* inside the *scans* folder, type **/colorscans**.
5. Click **Save Changes**.

Setting Up Scanning to an FTP Server

Before you set up scanning to an FTP Server, the server must have the proper software installed and be configured with shared folders for each user.

1. At your computer, open a Web browser, in the address field, type the IP address of the printer, then press **Enter** or **Return**.

Note: If you do not know the IP address of your printer, see [Finding the IP Address of Your Printer](#) on page 27.

2. In CentreWare Internet Services, click **Address Book**.
3. Under Network Scan (Comp./Serv.), click **Computer/Server Address Book**.
4. Click **Add** next to any blank field, then enter the following information:
 - **Name:** Enter the name that you want to appear in the Address Book.
 - **Network Type:** Select **Server (FTP)**.
 - **Host Address:** Enter the IP address or DNS name of the FTP server.
 - **Port Number:** Enter the default port number for FTP, 21, or select a number from the range provided.
 - **Login Name:** Enter a valid login name for your FTP server.
 - **Password:** Enter a valid password for your FTP server.
 - **Re-enter Password:** Enter the password again.
 - **Name of Shared Directory:** Enter a name for the directory or folder. For example, if you want the scanned files to go in a folder named *scans*, type *scans*.
 - **Subdirectory Path:** Enter the path of the folder on the FTP server. For example, if you want the scanned files to go in a folder named *colorscans* inside the *scans* folder, type */colorscans*.
5. Click **Save Changes**. A new address book entry is created.

Now you can scan to the FTP server.

Setting Up Scanning to an Email Address

Before you can scan to an email address, you must configure the printer to communicate with your SMTP email server.

To configure the SMTP server settings:

1. At your computer, open a Web browser, in the address field, type the IP address of the printer, then press **Enter** or **Return**.
If you do not know the IP address of your printer, see [Finding the IP Address of Your Printer](#) on page 27.
2. Click **Properties**.
3. In the left pane, under Protocols, click **Email Server**.

4. Type the following information:
 - Next to Enter the "From" Email Address, type an appropriately formatted email address to appear in the From field of emails from the printer.
 - For **SMTP Server (IP Address or DNS Name)**, type the IP address or DNS name of the SMTP server.
 - For **SMTP Port**, type the default port number of 25 for SMTP, or select a number from the range provided.
5. Select an Authentication Type.

Note: Ensure that the authentication type is compatible with your SMTP server.
6. If authentication is required, enter a valid SMTP Login Name for the SMTP Server.
7. If authentication is required, enter a valid password for the SMTP server.
8. Re-enter the password.
9. Scroll down, then click **Save Changes**.

Note: To obtain your SMTP server name or IP address, contact your Internet service provider or system administrator. Some Internet service providers require authentication. Ensure that you confirm the authentication type, login, and password.
10. Once you complete the process, you can use the scan to an email address feature. For details, see [Setting Up Scanning to an Email Address](#).

Setting Up Scanning With USB

If the printer is connected using a USB cable, you cannot scan to an email address or a network location. You can scan to a folder on your computer, or scan into an application after installing the scan drivers and the Express Scan Manager utility. For details, see [Installing the Software](#) on page 41.

Setting Up Scanning to a Folder on Your Computer With USB

1. Start Express Scan Manager:
 - Windows: Click **Start > Programs > Xerox**. Select your printer from the list. Double-click **Express Scan Manager**.
 - Macintosh: Navigate to **Applications > Xerox**. Select your printer from the list. Double-click **Express Scan Manager**.
2. Click **OK** to accept the default Destination Path folder, or click **Browse** to navigate to another folder.
3. Press **OK**.

Now you can scan to a folder on your computer. For details, see [Scanning to a Folder on USB Connected Computer](#) on page 97.

Installing the Printer as a Web Services Device

Web Services on Devices (WSD) allow a client to discover and access a remote device and its associated services across a network. WSD supports device discovery, control, and use.

To install a WSD printer using the Add Printer Wizard:

1. At your computer, access the Add Printer Wizard.
 - For Windows Vista, click **Start > Control Panel > Hardware and Sound > Printers**.
 - For Windows Server 2003 and later, click **Start > Settings > Printers**.
 - For Windows 7, click **Start > Devices and Printers**.
 - For Windows 8, click **Control Panel > Devices and Printers**.
2. To launch the Add Printer Wizard, click **Add a Printer**.
3. In the list of available devices, select the one you want to use, then click **Next**.
4. If the printer that you want does not appear in the list, click **The printer that I want is not listed**.
 - a. Select **Add a printer using a TCP/IP address or hostname**, then click **Next**.
 - b. For the Device type field, select **Web Services Device**.
 - c. Enter the printer IP address in the Hostname or IP address field, then click **Next**.
5. Complete the steps in the wizard, then click **Finish**.

Paper and Media

4

This chapter includes:

- Supported Paper 84
- Loading Paper 87
- Printing on Special Paper 90

Supported Paper

This section includes:

- [Ordering Paper](#) 84
- [General Paper Loading Guidelines](#)..... 84
- [Paper That Can Damage Your Printer](#) 85
- [Paper Storage Guidelines](#) 85
- [Supported Paper Types and Weights](#)..... 86
- [Supported Standard Paper Sizes](#) 86
- [Supported Custom Paper Sizes](#) 86

Your printer is designed to use various paper and other media types. To ensure the best print quality and to avoid jams, follow the guidelines in this section.

For best results, use Xerox paper and media recommended for your printer.

Ordering Paper

To order paper or other media, contact your local reseller or visit www.xerox.com/office/WC6027supplies.

General Paper Loading Guidelines

- Do not overfill the paper trays. Do not load paper above the maximum fill line in the tray.
- Adjust the paper guides to fit the paper size.
- Fan paper before loading it in the paper tray.
- If excessive jams occur, use paper or other approved media from a new package.
- Do not print on label media once a label has been removed from a sheet.
- Use only paper envelopes. Print envelopes 1-sided only.

Paper That Can Damage Your Printer

Some paper and other media types can cause poor output quality, increased paper jams, or damage your printer. Do not use the following:

- Rough or porous paper
- Inkjet paper
- Non-laser glossy or coated paper
- Paper that has been photocopied
- Paper that has been folded or wrinkled
- Paper with cutouts or perforations
- Stapled paper
- Envelopes with windows, metal clasps, side seams, or adhesives with release strips
- Padded envelopes
- Plastic media



CAUTION: The Xerox Warranty, Service Agreement, or Xerox Total Satisfaction Guarantee does not cover damage caused by using unsupported paper or specialty media. The Xerox Total Satisfaction Guarantee is available in the United States and Canada. Coverage could vary outside these areas. Please contact your local representative for details.

Paper Storage Guidelines

Storing your paper and other media properly contributes to optimum print quality.

- Store paper in dark, cool, relatively dry locations. Most paper is susceptible to damage from ultraviolet and visible light. Ultraviolet light, from the sun and fluorescent bulbs, is particularly damaging to paper.
- Reduce the exposure of paper to strong lights for long periods of time.
- Maintain constant temperatures and relative humidity.
- Avoid storing paper in attics, kitchens, garages, or basements. These spaces are more likely to collect moisture.
- Store paper flat, either on pallets, cartons, shelves, or in cabinets.
- Avoid food or drinks in the area where paper is stored or handled.
- Do not open sealed packages of paper until you are ready to load them into the printer. Leave stored paper in the original packaging. The paper wrapper protects the paper from moisture loss or gain.
- Some special media is packaged inside resealable plastic bags. Store the media inside the bag until you are ready to use it. Keep unused media in the bag and reseal it for protection.

Supported Paper Types and Weights

Paper Type	Weight
Plain	Heavyweight 60–90 g/m ²
Plain Reloaded	Lightweight 60–80 g/m ²
Letterhead	Note: The default setting is Heavyweight. For details on how to change the paper type setting, see Adjusting Paper Type on page 160.
Hole Punched	
Colored	
Recycled	
Bond, Heavy Plain	91–105 g/m ²
Lightweight Cardstock	106–163 g/m ²
Lightweight Cardstock Reloaded	
Lightweight Glossy Cardstock	
Lightweight Glossy Cardstock Reloaded	
Labels	
Envelopes	

Supported Standard Paper Sizes

European Standard Sizes	North American Standard Sizes
A4 (210 x 297 mm, 8.3 x 11.7 in.)	Legal (216 x 356 mm, 8.5 x 14 in.)
B5 (176 x 250 mm, 6.9 x 9.8 in.)	Folio (216 x 330 mm, 8.5 x 13 in.)
A5 (148 x 210 mm, 5.8 x 8.3 in.)	Letter (216 x 279 mm, 8.5 x 11 in.)
	Executive (184 x 267 mm, 7.25 x 10.5 in.)
C5 envelope (162 x 229 mm, 6.4 x 9 in.)	Monarch envelope (98 x 190 mm, 3.9 x 7.5 in.)
DL envelope (110 x 220 mm, 4.33 x 8.66 in.)	No. 10 envelope (241 x 105 mm, 4.1 x 9.5 in.)

Supported Custom Paper Sizes

You can use custom-sized paper within the following dimensions in your printer:

- Width: 76.2–215.9 mm (3–8.5 in.)
- Length: 127–355.6 mm (5–14 in.)

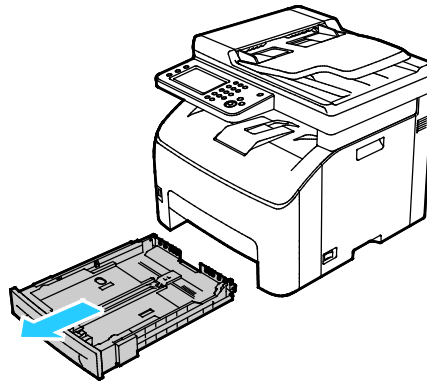
Loading Paper

This section includes:

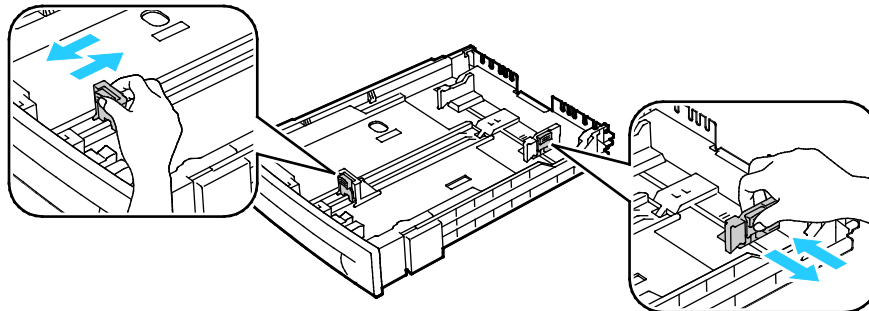
- Loading Paper..... 87
- Configuring the Paper Tray for Legal and A4..... 89

Loading Paper

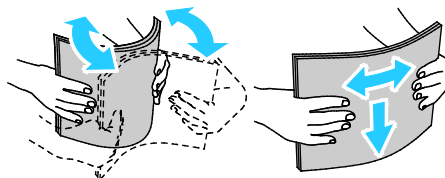
1. Remove the tray from the printer.
 - To remove the tray from the printer, pull out the tray until it stops, lift the front of the tray slightly, then pull it out.



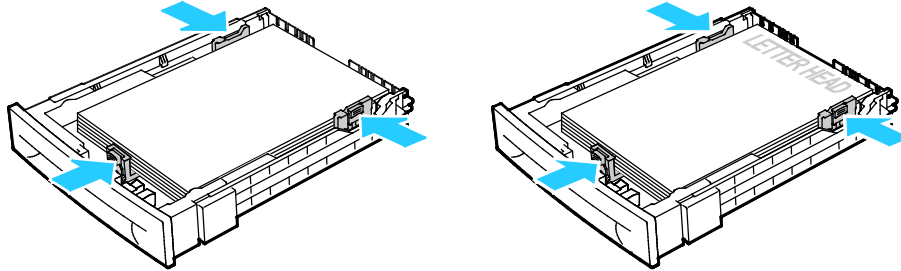
2. At the back of the paper tray, press the paper lift tray down until it locks.
3. Adjust the paper length and width guides as illustrated.



4. Flex the sheets back and forth and fan them, then align the edges of the stack on a level surface. This procedure separates any sheets that are stuck together and reduces the possibility of jams.

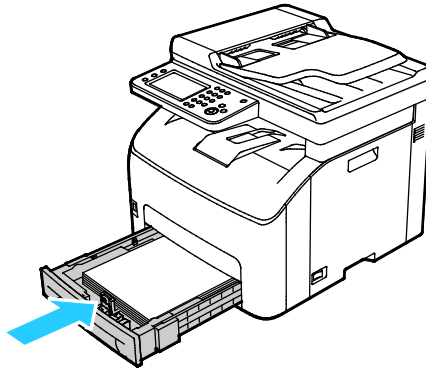


5. Load paper into the tray with the print side face up, then adjust the length and width guides to fit the paper.
 - Load hole punched paper with the holes to the left.
 - To print letterhead, load paper face up with the top of the paper toward the back of the tray.



Note: Do not load paper above the maximum fill line. Overfilling the tray can cause the printer to jam.

6. Slide the tray back into the printer.



7. Push the tray in all the way.

Notes:

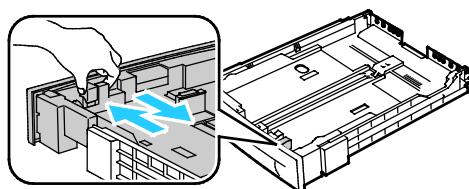
- If the tray does not go in all the way, ensure that the paper lift plate at the back of the tray is locked down.
- If the tray is extended for legal size paper, the tray protrudes when it is inserted into the printer.

Configuring the Paper Tray for Legal and A4

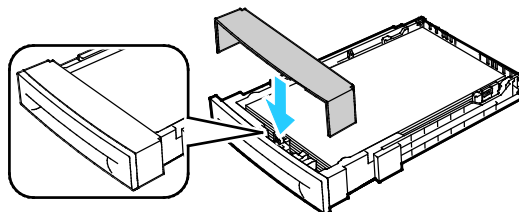
You can adjust the length of the paper tray to accommodate A4/Letter, and Legal (8.5 x 14") paper sizes. In the Legal length setting, the tray protrudes from the front of the printer.

Changing the Length of the Paper Tray to Match the Paper Length

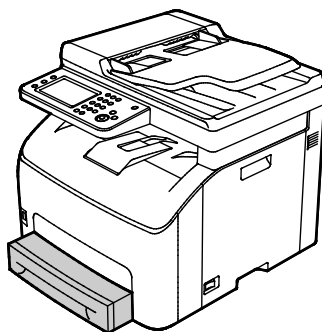
1. Remove all paper from the tray.
2. To remove the tray from the printer, pull out the tray until it stops, lift the front of the tray slightly, then pull it out.
3. To extend the tray, with one hand, hold the back of the tray. With the other hand, at the front of the tray, press the release latch and pull the ends outward until they latch.



4. To compress the tray for shorter paper, with one hand, hold the back of the tray. With the other hand, at the front of the tray, press the release latch, then push the ends inward until they latch.
5. To protect the paper, place the paper cover over the extended section of the paper tray.



6. Load paper into the tray, then insert it back into the printer.



Printing on Special Paper

This section includes:

- Envelopes..... 90
- Labels 91
- Printing on Glossy Cardstock..... 92

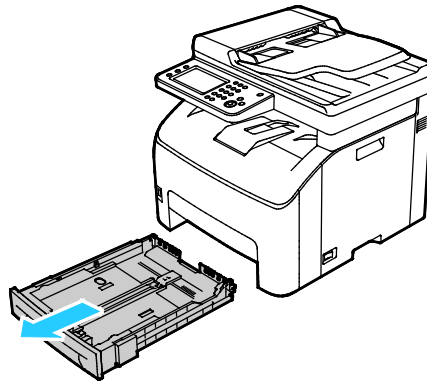
To order paper or other media, contact your local reseller or visit www.xerox.com/office/WC6027supplies.

Envelopes

You can print envelopes using the main tray.

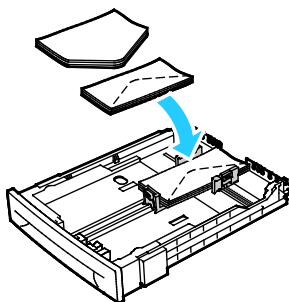
Loading Envelopes in the Paper Tray

1. To load envelopes in the paper tray:
2. Remove the tray from the printer.
 - To remove the tray from the printer, pull out the tray until it stops, lift the front of the tray slightly, then pull it out.

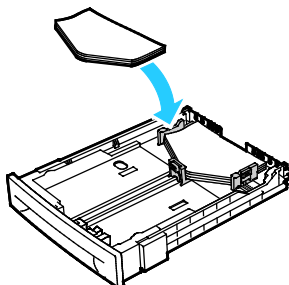


3. Slide open the paper guides.

4. Do one of the following:
 - Insert No. 10, DL, or Monarch envelopes with the print side up, flaps closed and facing down, and the flap side to the right.



Note: To prevent wrinkling on No. 10, DL, C5, or Monarch envelopes, load them print side up, flaps open and facing away from the printer.



Note: When you load envelopes long-edge feed, ensure that you specify landscape orientation in the print driver.

- Insert C5 envelopes with the print side up, flaps open and facing away from the printer.
5. Adjust the paper guides so they rest lightly against the edges of the envelopes.

Labels

Ensure that label stock is placed face-up in the paper tray.

Guidelines for Printing Labels

- Use labels designed for laser printing.
- Do not use vinyl labels.
- Do not feed a sheet of labels through the printer more than once.
- Do not use dry gum labels.
- Print only on one side of the sheet of labels. Use full sheet labels only.
- Store unused labels flat in their original packaging. Leave the sheets of labels inside the original packaging until ready to use. Return any unused sheets of labels to the original packaging and reseal it.
- Do not store labels in extremely dry or humid conditions or extremely hot or cold conditions. Storing them in extreme conditions can cause print-quality problems or cause them to jam in the printer.

- Rotate stock frequently. Long periods of storage in extreme conditions can cause labels to curl and jam in the printer.
- In the print driver software, select Label as the paper type.
- Before loading labels, remove all other paper from the tray.



CAUTION: Do not use any sheet where labels are missing, curled, or pulled away from the backing sheet. It could damage the printer.

Printing on Glossy Cardstock

You can print on Lightweight Glossy Cardstock that is 163 g/m² or less.

- Do not open sealed packages of glossy cardstock until you are ready to load them into the printer.
- Leave glossy cardstock in the original wrapper, and leave the packages in the shipping carton until ready to use.
- Remove all other paper from the tray before loading glossy cardstock.
- Load only the amount of glossy cardstock you are planning to use. Do not leave glossy cardstock in the tray when you are finished printing. Replace unused cardstock in the original wrapper and seal.
- Rotate stock frequently. Long periods of storage in extreme conditions can cause glossy cardstock to curl and jam in the printer.
- In the print driver software, select the desired glossy cardstock type or select the tray loaded with the desired paper.

To optimize printing on glossy cardstock, do one or more of the following:

- Adjust the paper type setting. For details, see [Adjusting Paper Type](#) on page 160.
- Adjust the bias transfer roller. For details, see [Adjusting the Bias Transfer Roller](#) on page 161.
- Adjust the fuser. For details, see [Adjusting the Fuser](#) on page 161.

Scanning

5

This chapter includes:

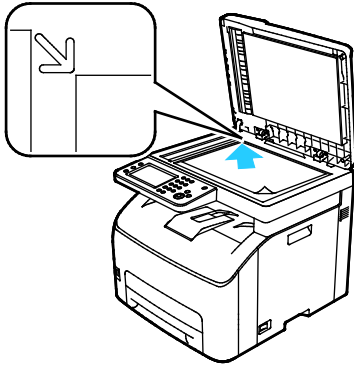
- [Loading Documents](#)..... 94
- [Scanning to a USB Flash Drive](#)..... 96
- [Scanning to a Folder on a USB Connected Computer](#) 97
- [Scanning to a Shared Folder on a Network Computer](#) 98
- [Scanning to an Email Address](#) 101
- [Scanning to Web Services on Devices](#)..... 102
- [Scanning Images into an Application on a USB Connected Computer](#) 103
- [Adjusting Scanning Settings](#) 105
- [Changing the Default Scan Settings](#) 108
- [Limiting Access to Scanning](#)..... 111

See also:

[Installation and Setup Overview](#) on page 32

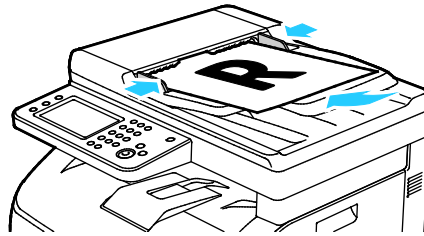
Loading Documents

Position the original document as shown.



Document Glass

Lift the automatic document feeder, then place the original face down in the upper left corner of the document glass.



Automatic Document Feeder

Insert originals face up with the top of the page entering the feeder first. Adjust the paper guides so they fit against the originals.

Document Glass Guidelines

You can use the document glass to scan or copy a single page of a document at a time. The document glass accommodates original sizes up to 216 x 297 mm (8.5 x 11.7 in.).

You can use the document glass to copy or scan the following types of originals.

- Plain paper documents
- Paper with paper clips or staples attached
- Paper with wrinkles, curls, folds, tears, or notches
- Coated or carbonless paper or items other than paper such as cloth or metal
- Envelopes
- Books

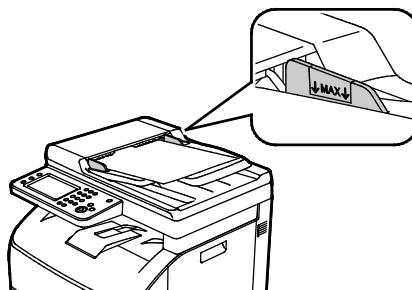
Automatic Document Feeder Guidelines

The automatic document feeder accommodates the following originals:

- Width: 139.7–215.9 mm (5.5–8.5 in.)
- Length: 139.7–355.6 mm (5.5–14 in.)
- Weight: 50–125 g/m²

Follow these guidelines when loading originals into the automatic document feeder:

- Load originals face up so that the top of the document enters the feeder first.
- Place only loose sheets of paper in the automatic document feeder.
- Adjust the paper guides so that they fit against the originals.
- Insert paper in the automatic document feeder only when ink on the paper is dry.
- Do not load originals above the MAX fill line.



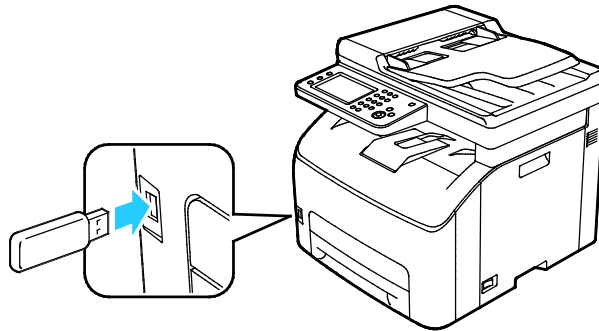
Scanning to a USB Flash Drive

You can scan a document and store the scanned file on a USB Flash drive. The Scan to USB function produces scans in **.jpg**, **.pdf**, and **.tiff** file formats.

Note: Before pressing the Scan button or inserting the USB Flash drive, press the **Power Saver** button, then wait until the Power Saver indicator turns off.


To scan to a USB Flash drive:

1. Load the original on the document glass or in the automatic document feeder.
2. Insert your USB Flash drive into the USB port on the front of the printer. The touch screen displays the Scan to USB Memory tab.



3. To save the scanned file to a specific folder on the USB Flash drive, touch **Change Folder**.
4. To change scan settings, touch the appropriate buttons. For details, see [Adjusting Scanning Settings](#) on page 105.
5. To change folder and file options, touch **Options**.
6. To create a folder for the scanned file, touch **Create Folder > On > OK**.
7. To add a prefix or suffix to the file title, touch **File Name**.
 - To have the printer name the file automatically, touch **Auto**.
 - To add a prefix to the file name, touch **Prefix**, touch **Enter Text**, type the prefix name, then touch **OK**.
 - To add a suffix to the file name, touch **Suffix**, touch **Enter Text**, type the suffix name, then touch **OK**.
8. The printer scans your image to the folder you specified.

If you are scanning from the document glass, when prompted, touch **Done** to finish or **Start** to scan another page.

 **WARNING:** Do not remove the USB Flash drive until prompted. If you remove the Flash drive before the transfer is complete, the file can become unusable and other files on the drive can be damaged.

Scanning to a Folder on a USB Connected Computer

1. Start Express Scan Manager:
 - Windows: Click **Start** > **Programs** > **Xerox Office Printing**. Select your printer from the list. Double-click **Express Scan Manager**.
 - Macintosh: Navigate to **Applications** > **Xerox**. Select your printer from the list. Double-click **Express Scan Manager**.
2. To accept the default Destination Path folder, click **OK** to accept the default Destination Path folder, or to navigate to another folder, click **Browse**.
3. Click **OK**.
4. Load the original on the document glass or in the duplex automatic document feeder.
5. On the printer control panel, touch **Scan to**.
6. Touch **PC**.
7. Change scan settings as needed.
8. To begin the scan, press the **Start** button.

An Express Scan Manager dialog box opens on your computer to indicate the progress. The printer scans your documents to the output destination specified in Express Scan Manager.

Scanning to a Shared Folder on a Network Computer

This section includes:

- [Sharing a Folder on a Windows Computer](#) 98
- [Sharing a Folder Using Macintosh OS X Version 10.7 and Later](#)..... 99
- [Adding a Folder as an Address Book Entry Using CentreWare Internet Services](#) 99
- [Scanning to a Folder on a Network Computer](#) 100

Before using the printer as a scanner on a network, you must:

1. Create a shared folder on your computer hard drive.
2. Create an address using CentreWare Internet Services or the Address Book Editor pointing the scanner to the computer.

Note: For more information, see [Connecting the Printer](#) on page 34.

Sharing a Folder on a Windows Computer

1. Open Windows Explorer.
2. Right-click the folder you want to share, then select **Properties**.
3. Click the **Sharing** tab, then click **Advanced Sharing**.
4. Select **Share this folder**.
5. Click **Permissions**.
6. Select the **Everyone** group, and verify that all permissions are enabled.
7. Click **OK**.

Note: Remember the Share name for later use.

8. Click **OK** again.
9. Click **Close**.

Sharing a Folder Using Macintosh OS X Version 10.7 and Later

1. From the Apple menu, select **System Preferences**.
2. From the Internet & Wireless menu, select **Sharing**.
3. From the Service menu, select **File Sharing**.
4. Under Shared Folders, click the plus icon (+).
5. Browse to the folder that you want to share on the network, then click **Add**.
6. To modify access rights for your folder, select it. The groups activate.
7. From the Users list, click **Everyone**, then use the arrows to select **Read & Write**.
8. Click **Options**.
9. To share the folder with Windows computers, select **Share files and folders using SMB**.
10. To share the folder with specific users, next to the user name, select **On**.
11. Click **Done**.
12. Close the System Preferences window.

Note: When you open a shared folder, a Shared Folder banner appears in the Finder for the folder and subfolders.

Adding a Folder as an Address Book Entry Using CentreWare Internet Services

1. At your computer, open a Web browser, in the address field, type the IP address of the printer, then press **Enter** or **Return**.

Note: If you do not know the IP address of your printer, see [Finding the IP Address of Your Printer](#) on page 27.
2. Click **Address Book**.
3. Under Network Scan (Comp./Serv.), click **Computer/Server Address Book**.
4. Click **Add** next to any empty field, and enter the following information:
 - **Name:** Enter the name that you want to appear in the Address Book.
 - **Server Type:** Select **Computer (SMB)**.
 - **Host Address:** Enter the IP address of your computer.
 - **Port Number:** Enter the default port number for SMB, 139, or select a number from the range provided.
 - **Login Name:** Enter your computer user name.
 - **Login Password:** Enter your computer login password.
 - **Re-enter Password:** Enter your login password again.
 - **Name of Shared Directory:** Enter a name for the directory or folder. For example, if you want the scanned files to go in a folder named *scans* type **scans**.
 - **Subdirectory Path:** Enter the path of the folder on the FTP server. For example, if you want the scanned files to go in a folder named *colorscans* inside the *scans* folder, type **/colorscans**.
5. Click **Save Changes**.

Scanning to a Folder on a Network Computer

1. Load the original on the document glass or in the automatic document feeder.
2. On the printer control panel, touch **Scan to**.
3. Touch **Network**.
4. Touch the address book entry.
5. Touch **OK**.
6. To change scan settings, touch the appropriate buttons. For details, see [Adjusting Scanning Settings](#) on page 105.
7. To change folder and file options, touch **Options**.
8. To create a folder for the scanned file, touch **Create Folder > On > OK**.
9. To add a prefix or suffix to the file title, touch **File Name**.
 - To have the printer name the file automatically, touch **Auto**.
 - To add a prefix to the file name, touch **Prefix**, touch **Enter Text**, type the prefix name, then touch **OK**.
 - To add a suffix to the file name, touch **Suffix**, touch **Enter Text**, type the suffix name, then touch **OK**.
10. To begin the scan, press **Start**. The printer scans your image to the folder you specified.
11. If you are scanning from the document glass, when prompted, touch **Done** to finish or **Start** to scan another page.

Scanning to an Email Address

Before scanning to an email address, you must set up the printer up with the email server information. For details, see [Setting Up Scanning to an Email Address](#).

To scan an image and send it to an email address:

1. Load the original on the document glass or in the duplex automatic document feeder.
2. At the control panel, touch **Email**.
3. Specify the method for selecting recipients:
 - **New Recipient:** This option allows you to enter the email address manually. Use the keypad to enter the address.
 - **Address Book:** This option allows you to select an email address or a distribution list from the Address Book.
4. Touch **OK**.
5. To change scan settings, touch the appropriate buttons. For details, see [Adjusting Scanning Settings](#) on page 105.
6. To change folder and file options, touch **Options**.
7. To add a prefix or suffix to the file title, touch **File Name**.
 - To have the printer name the file automatically, touch **Auto**.
 - To add a prefix to the file name, touch **Prefix**, touch **Enter Text**, type the prefix name, then touch **OK**.
 - To add a suffix to the file name, touch **Suffix**, touch **Enter Text**, type the suffix name, then touch **OK**.
8. To begin the scan, press **Start**.
If you are scanning from the document glass, when prompted, touch **Done** to finish or **Start** to scan another page.

Scanning to Web Services on Devices

Web Services on Devices (WSD) connect your computer to the printer. Use WSD to access scanned images at your computer.

Note: See [Installing the Printer as a Web Service on Devices](#) on page 82.

To scan to WSD:

1. Load the original on the document glass or in the automatic document feeder.
2. On the printer control panel, touch **Scan to**.
3. Touch **WSD**.
4. To select a destination, touch the computer address.
5. To select the scan type, touch the **Event** field, then touch the scan type.
6. To begin the scan, press **Start**.
7. At the computer WSD Scan Device message, select a program to complete the scan.

Scanning Images into an Application on a USB Connected Computer

This section includes:

- [Scanning an Image into an Application](#) 103
- [Scanning an Image Using Windows 8](#)..... 103
- [Scanning an Image Using Windows Vista or Windows 7](#)..... 104
- [Scanning an Image Using Windows XP](#) 104

You can import images directly from the scanner into a folder on your computer. With a Macintosh computer, and some Windows applications, you can import the images directly into an application.

Scanning an Image into an Application

Note: Some Windows applications, including Office 2007, do not support this feature.

1. Open the file in which you want to place the image.
2. In the application, select the menu item to acquire the image.
3. From the Paper Source menu in Windows, or from the Scan From menu on a Macintosh computer, select one of the following options:
 - Document Glass
 - Automatic Document Feeder
4. Specify the other scan driver settings as needed

Note: To view the online help, click **Help** (?).

5. To begin the scan, press the **Start** button.
The printer scans the document and places the image in your application.

Scanning an Image Using Windows 8

1. From the Windows 8 Modern User Interface app, to access the **All Apps** menu, right-click anywhere on the screen, then find the **All Apps** icon at bottom right.
2. For Windows System heading, click **Control Panel**.
3. For Hardware and Sound, click **View devices and printers**.
4. Right-click on your printer, then click **New Scan**.
5. Select the scan settings, then click **Preview** or **Scan**.

Scanning an Image Using Windows Vista or Windows 7

1. On your computer, select **Start > All Programs > Windows Fax and Scan**.
2. Click **New Scan**.
3. If prompted, select your printer, then click **OK**.
4. Select the scan settings.
5. To preview the document or select a portion of the document to scan, select **Preview**.
The printer scans a preview copy of the image.
6. To select part of the document, clear **Preview or scan images as separate files**, then to resize the frame, use the corner points.
7. Click **Scan**.
The scanned image is stored in the default Scanned Documents folder or in a folder that you selected.

Scanning an Image Using Windows XP

1. On your computer, select **Start > Control Panel**.
2. Double-click **Scanners and Cameras**.
3. In the Scanners and Cameras window, click **Next**.
4. Double-click **Xerox WC6027**.
5. Select an option:
 - **Color picture**
 - **Grayscale picture**
 - **Black and white picture or text**
 - **Custom**
6. Select the paper source:
 - Document Glass
 - Document Feeder
7. To preview the document or select a portion of the document to scan, select **Preview**.
The printer scans a preview copy of the image.
8. To select a portion of the document to scan, click and drag the corner points to resize the frame.
9. Click **Next**.
10. Type a name for this group of pictures.
11. Select a file format.
12. Type a path name or browse to a location for the scanned images.
13. To save your image to the folder, in the Other Options window, select **Nothing**.
14. Click **Next**.
15. To view the scanned image, click the folder link in the window.
16. Click **Finish**.
The image is stored in the folder and ready for use in your applications.

Adjusting Scanning Settings

This section includes:

- [Setting the Output Color](#)..... 105
- [Setting the Scan Resolution](#) 105
- [Setting the File Format](#)..... 106
- [Lightening or Darkening an Image](#)..... 106
- [Adjusting the Sharpness](#) 106
- [Adjusting the Contrast](#)..... 106
- [Specifying the Original Size](#) 106
- [Using Edge Erase](#)..... 107

You can modify the scan settings for individual jobs, once you select the scan mode.

You can also change the default values of some settings. For details, see [Changing the Default Scan Settings](#) on page 108.

Setting the Output Color

If the original image contains color, you can scan the image in color or in black and white. Selecting black and white significantly reduces the file size of the scanned images.

To set the output color:

1. At the printer control panel, press the **Services Home** button.
2. Touch **Scan To**, then touch **Scan to PC**.
3. For the Scan to PC tab, touch **Output Color**.
4. Select a color mode.
5. Touch **OK**.

Setting the Scan Resolution

The scan resolution depends on how you plan to use the scanned image. Scan resolution affects both the size and image quality of the scanned image file. Higher scan resolution produces better image quality and a larger file size.

To set the scan resolution:

1. At the printer control panel, press the **Services Home** button.
2. Touch **Scan To**, then touch **Scan to PC**.
3. On the Scan to PC tab, touch **Resolution**.
4. Select an option.
5. Touch **OK**.

Setting the File Format

1. At the printer control panel, press the **Services Home** button.
2. Touch **Scan To**, then touch **Scan to PC**.
3. On the Scan to PC tab, touch **File Format**.
4. Touch a setting.
5. Touch **OK**.

Lightening or Darkening an Image

1. At the printer control panel, press the **Services Home** button.
2. Touch **Scan To**, then touch **Scan to PC**.
3. Touch the **Quality** tab.
4. Touch **Lighten/Darken**.
5. To lighten or darken the image, touch the buttons to move the slider.
6. Touch **OK**.

Adjusting the Sharpness

1. At the printer control panel, press the **Services Home** button.
2. Touch **Scan To**, then touch **Scan to PC**.
3. Touch the **Quality** tab.
4. Touch **Sharpness**, then select an option.
5. Touch **OK**.

Adjusting the Contrast

1. At the printer control panel, press the **Services Home** button.
2. Touch **Scan To**, then touch **Scan to PC**.
3. Touch the **Quality** tab.
4. Touch **Contrast**, then select an option.
5. Touch **OK**.

Specifying the Original Size

1. At the printer control panel, press the **Services Home** button.
2. Touch **Scan To**, then touch **Scan to PC**.
3. Touch the **Options** tab.
4. Touch **Document Size**, then make a selection.
5. Touch **OK**.

Using Edge Erase

You can specify an amount of space to erase from the edges of your scans.

To use Edge Erase:

1. At the printer control panel, press the **Services Home** button.
2. Touch **Scan To**, then touch **Scan to PC**.
3. Touch the **Options** tab.
4. Touch **Edge Erase**, then touch the Plus (+) or Minus (-).
5. Touch **OK**.

Changing the Default Scan Settings

This section includes:

- [Changing the Default for File Format..... 108](#)
- [Changing Output Color 108](#)
- [Changing the Default Scan Resolution 109](#)
- [Changing the Original Size..... 109](#)
- [Changing Lighten/Darken 109](#)
- [Changing the Default for Sharpness 109](#)
- [Changing the Default for Auto Background Suppression 109](#)
- [Changing Edge Erase 109](#)
- [Changing the Default for TIFF File Format 109](#)
- [Changing the Default for Quality/File Size 110](#)
- [Changing the Default for Maximum Email Size 110](#)
- [Changing the File Name 110](#)
- [Changing the Create Folder Default 110](#)

The printer uses the default scan settings on all scan jobs unless you change them for an individual job. You can modify the default scan settings.

To change the default scan settings:

1. At the printer control panel, press the **Machine Status** button.
2. Touch the **Tools** tab.
3. Touch **Service Defaults**.
4. Touch **Scan Defaults**.
5. Navigate to the option that you want to modify.

Changing the Default for File Format

1. Touch **File Format**.
2. Touch a default setting.
3. Touch **OK**.

Changing Output Color

1. Touch **Output Color**, then select an option.
2. Touch **OK**.

Changing the Default Scan Resolution

The scan resolution depends on how you plan to use the scanned image. Scan resolution affects both the size and image quality of the scanned image file. Higher scan resolution produces better image quality and a larger file size.

To set the default scan resolution:

1. Touch **Resolution**.
2. Touch a default scan resolution.
3. Touch **OK**.

Changing the Original Size

1. Touch **Document Size**, then make a selection.
2. Touch **OK**.

Changing Lighten/Darken

1. Touch **Lighten/Darken**.
2. To change the lighten or darken default, touch the buttons to move the slider.
3. Touch **OK**.

Changing the Default for Sharpness

1. Touch **Sharpness**, then select an option.
2. Touch **OK**.

Changing the Default for Auto Background Suppression

1. Touch **Auto Background Suppression**, then touch **On** or **Off**.
2. Touch **OK**.

Changing Edge Erase

1. Touch **Edge Erase**.
2. To set the edge erase default, touch the **+** or **-** buttons.
3. Touch **OK**.

Changing the Default for TIFF File Format

Note: TIFF files created by this printer can fail to open properly in some computer applications.

1. Touch **TIFF File Format**, then select an option.
2. Touch **OK**.

Changing the Default for Quality/File Size

1. Touch **Quality/File Size**, then select an option.
2. Touch **OK**.

Changing the Default for Maximum Email Size

1. Touch **Max Email Size**.
2. To set a size from 50–16384 KB, touch the arrow buttons or the alphanumeric keypad.
3. Touch **OK**.

Changing the File Name

1. Touch **File Name**, then select an option.
2. Touch **OK**.

Changing the Create Folder Default

1. Touch **Create Folder**, then select an option.
2. Touch **OK**.

Limiting Access to Scanning

The Scan Lock options limit access to scanning by requiring a password to use the Scan function. You can also turn off scanning.

To set the Scan Lock:

1. At the printer control panel, press the **Machine Status** button.
2. Touch **Tools**, then touch **Admin Settings**.
3. If prompted, enter the four-digit password, then touch **OK**.
4. Touch **Secure Settings**.

Note: Before you set the service locks, enable Panel Lock. For details, see [Enabling Panel Lock](#) on page 75.

5. Touch **Service Lock**.
6. Touch an option:
 - **Email:** Limits access to an email service.
 - **Scan to Network:** Limits access to the Network option.
 - **Scan to PC/WSD Scan:** Limits access to the PC and WSD options.
 - **Scan to USB:** Limits access to the USB Memory option.
7. Touch an option:
 - **Unlocked:** Enables the selected function.
 - **Password Locked:** Requires a password to use the selected function. Enter a new 4-digit password, then press **OK**.
 - **Locked:** This option disables the selected function.
8. Touch **OK**.

Faxing

6

This chapter includes:

- Phone Line Compatibility 114
- Configuring the Printer for Faxing..... 115
- Loading Documents for Faxing..... 116
- Sending a Fax from the Printer 117
- Sending a Delayed Fax..... 118
- Sending a Cover Page with a Fax..... 119
- Sending a Fax From Your Computer..... 120
- Printing a Secure Fax..... 122
- Polling a Remote Fax Machine..... 123
- Manually Sending, Receiving, or Polling Using OnHook..... 124
- Editing the Fax Address Book 125

Phone Line Compatibility

The fax function works best with an analog phone line. Voice-Over Internet Protocols (VOIPs) such as FIOS and DSL are not supported.

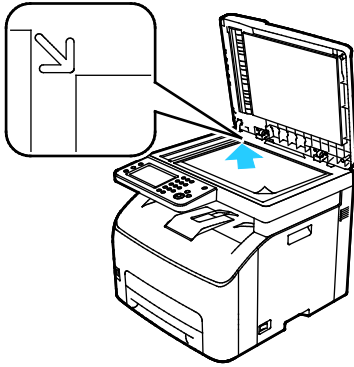
Configuring the Printer for Faxing

Before you use the fax, you must configure the Fax Settings to make it compatible with your local connection and regulations. The Fax Settings include optional features you can use to configure the printer for faxing.

For details on Fax Settings and Fax Default Settings, see [Configuring Fax Defaults and Settings](#) on page 62.

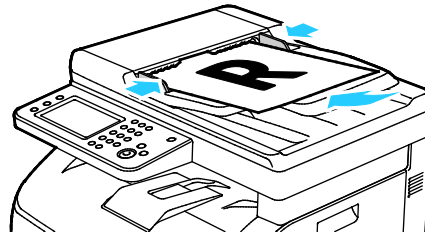
Loading Documents for Faxing

Position the original document as shown.



Document Glass

Lift the automatic document feeder, then place the original face down in the upper left corner of the document glass.



Automatic Document Feeder

Insert originals face up with the top of the page entering the feeder first. Adjust the paper guides so they fit against the originals.

Sending a Fax from the Printer

1. At the printer control panel, press the **Services Home** button.
2. Touch **Fax**.
3. To adjust brightness, touch **Lighten/Darken**, then adjust as needed. Darken light originals, such as pencil images, and lighten dark images, such as halftone images, from newspapers or magazines.
4. To set the scan resolution, touch **Resolution**, then select an option.
5. To enter a fax number manually, use the keypad. To insert a pause as needed, press the **Redial/Pause** button, represented by a hyphen. Press the **Redial/Pause** button multiple times to add additional pauses.

Note: You can add only one fax number manually.

6. To send to multiple fax numbers, add speed dial numbers, individuals, or groups from the fax address book.
7. To add a number from the fax address book, touch the address book icon, then touch **Machine Address Book Individuals** or **Machine Address Book Groups**. Select the individual or group from the list, then touch **OK**.
8. To add numbers using Speed Dial, touch the orange telephone icon. Enter the speed dial number that is associated with the contact in the address book, then touch **OK**.
9. Press the green **Start** button.

Note: You can configure the printer to print a confirmation report after it transmits a fax. For details, see [Configuring Fax Defaults and Settings](#) on page 62.

Sending a Delayed Fax

1. At the printer control panel, press the **Services Home** button.
2. Touch **Fax**.
3. Add fax recipients and select fax settings as needed.
4. Touch **Options**.
5. Touch **Delayed Send**.
6. Touch **On**.
7. To enter the number of hours or minutes that the printer waits until sending the fax, touch **Hours** or **Minutes**, then use the keypad.
8. Touch **Fax**.
9. Press the green **Start** button.
The fax is scanned and saved, then sent at the specified time.

Sending a Cover Page with a Fax

You can send a cover page with your fax. The cover page lists recipient information from the fax address book and sender information from the Company Name Fax Line setting. For details, see [Configuring Fax Defaults and Settings](#) on page 62.

To include a fax cover page:

1. At the printer control panel, press the **Services Home** button.
2. Touch **Fax**.
3. Add fax recipients and select fax settings as needed.
4. Touch **Options**.
5. Touch **Cover Page**.
6. Touch **On**.
7. Touch **Fax**.
8. Press the green **Start** button.

Sending a Fax From Your Computer

This section includes:

- [Sending a Fax Using Windows Applications](#) 120
- [Sending a Fax Using Windows Applications](#) 121
- [Sending a Fax Using Macintosh Applications](#) 121

You can send a fax to the printer from an application on your computer.

Sending a Fax Using Windows Applications

You can send a fax from many Windows applications by using the PCL 6 driver. The Fax window allows you to enter recipients, create a cover page with notes, and set options. You can set confirmation sheet, send speed, resolution, send time, and dialing options.

1. With the desired document or graphic open in your application, open the Print dialog box. For most software applications, click **File > Print** or press **CTRL+P**.
2. Select your printer, then click **Properties** to open the print driver dialog box.
3. On the Printing Options tab, from the Job Type list, select **Fax**.
4. Click **Recipients**.
5. Do one or more of the following:
 - Click the **Phonebook** button, select a phone book from the list, select a name from the upper list, then add it to the Fax Recipients. Repeat the procedure to add more names. Click **OK**.
 - Click the **Add Recipients** button, type the recipient name and fax number, add other information, then click **OK**. Add new recipients as needed.
6. To include a cover sheet, click **Cover Sheet**, then from the Cover Sheet Options list, select **Print a Cover Sheet**.
7. On the Cover Sheet information tab, type notes that you want to appear on the cover sheet.
8. On the Options tab, select the options for the fax.
9. Click **OK**.
10. In the Printer Properties window, click **OK**.
11. In the Print window, click **OK**.

Sending a Fax Using Windows Applications

You can send a fax from many Windows applications using the fax driver. You can use the fax driver to enter recipients, create a cover page, choose resolution, and specify the send time.

To send a fax:

1. With the desired document or graphic open in your application, open the Print dialog box. For most software applications, click **File > Print** or press **CTRL+P**.
2. Select your printer name that lists Fax next to it as your printer.
3. To include a cover page, click **Fax Cover Page Settings**, select cover page and sender options, then click **OK**.
4. Click **Print**.
5. On the Recipient Setting screen, do one or more of the following:
 - Click the **Add Recipients** button, type the recipient name and fax number, add other information, then click **OK**. Add new recipients as needed.
 - Add names from your Address Book. To locate your Address Book, click **Browse**. To use an address file or database that is already on your computer, click **Import and Add file**.
6. To send the fax, click **Start Sending**.
7. To stop a fax from sending, click the **Stop Sending** button.

Sending a Fax Using Macintosh Applications

You can send a fax from many Macintosh applications by using the fax driver. To install the fax driver, see [Installing the Software](#) on page 41.

1. Access the print settings in your software application. For most software applications, press **CMD+P**.
2. Select your LAN fax printer from the list.
3. To access the fax driver settings, select **Fax Setting**. The title of the button can vary depending on your application.
4. Modify fax settings as needed. For more information, click the **Help (?)** button.
5. Click **Print**.
6. Do one or more of the following:
 - Enter the recipient name and fax number, then click **Add**.
 - Click **Look Up Address Book**, select recipients from the local Address Book, or click **Look Up Device Address Book** and select recipients, then click **Add**.
7. Click **OK**.
8. To delay sending the fax, select **Delayed Send**, then enter the time that you want the fax to send.
9. Click **Start Sending**.

Printing a Secure Fax

When the Secure Receive setting is enabled, you must enter a password before faxes can be printed.

Note: Before you can receive a Secure Fax, enable Panel Lock and Secure Fax features. For details, see [Configuring Fax Defaults and Settings](#) on page 62.

1. At the printer control panel, press the **Job Status** button.
2. Touch **Secure Fax Receive**.
3. Enter the passcode.
4. Touch **OK**.

Polling a Remote Fax Machine

Fax Polling allows the printer to retrieve a fax stored on another fax machine that supports fax polling.

To retrieve a fax from another fax machine:

1. At the printer control panel, press the **Services Home** button.
2. Touch **Fax**. Enter the fax number of the fax machine that you want to poll.
3. Touch **Options**.
4. Touch **Polling Receive**.
5. Touch **On**.
6. Touch **OK**.
7. Press the green **Start** button.

Manually Sending, Receiving, or Polling Using OnHook

OnHook temporarily allows you to send, receive, or poll faxes manually. OnHook also turns on the fax modem speaker temporarily so you can hear the fax transmission sounds. This feature is helpful when dialing internationally, or when using phone systems that require you to wait for a specific audio tone.

Manually Sending, Receiving, or Polling Using OnHook

1. At the printer control panel, press the **Services Home** button.
2. Touch **Fax**.
3. Touch **OnHook**.
4. Touch **Mode**.
5. Touch **Manual Send, Manual Receive, or Manual Polling**.
6. Enter a recipient fax number manually, enter a speed dial number, or select an individual or group from the fax address book.
 - Enter a fax number manually using the keypad. Press the **Redial/Pause** button, represented by a hyphen, to insert a pause as needed. Press the **Redial/Pause** button multiple times to add additional pauses.
 - To add a number from the fax address book, touch the address book icon and touch **Device Address Book Individuals**, or **Device Address Book Groups**. Select the individual or group from the list, then touch **OK**.
 - To add numbers using Speed Dial, touch the orange telephone icon. Enter the speed dial number that is associated with the contact in the address book, then touch **OK**.
7. Press the green **Start** button.

Note: You can add only one fax number manually. To send to multiple fax numbers, add speed dial numbers or individuals or groups from the fax address book.

Editing the Fax Address Book

This section includes:

- [Adding or Editing Contacts in the Fax Address Book in CentreWare Internet Services](#) 125
- [Adding or Editing Groups in the Fax Address Book in CentreWare Internet Services](#) 125
- [Adding or Editing Contacts in the Fax Address Book at the Control Panel](#)..... 126
- [Adding or Editing Groups in the Fax Address Book at the Control Panel](#) 126
- [Using the Address Book Editor Utility](#) 126

You can create and save fax information for individual contacts or groups. Each contact is associated with a speed dial number. You can manage address book contacts in CentreWare Internet Services, at the control panel, or using the Address Book Editor utility.

Adding or Editing Contacts in the Fax Address Book in CentreWare Internet Services

1. At your computer, open a Web browser, in the address field, type the IP address of the printer, then press **Enter** or **Return**.
2. In CentreWare Internet Services, click **Address Book**.
3. To add or edit a contact, next to the contact, click **Add** or **Edit**.
4. Type a name and fax number for the contact. To indicate a dialing pause, use a dash (-) character.
5. Click **Save Changes**.

Adding or Editing Groups in the Fax Address Book in CentreWare Internet Services

1. At your computer, open a Web browser, in the address field, type the IP address of the printer, then press **Enter** or **Return**.
2. In CentreWare Internet Services, click **Address Book**.
3. In the navigation pane, click **Fax/Email > Fax Groups**.
4. To add or edit a group, next to the group, click **Add** or **Edit**.
5. Type a name for the group, then select contacts to add to the group.
6. Click **Save Changes**.

Adding or Editing Contacts in the Fax Address Book at the Control Panel

1. At the printer control panel, press the **Machine Status** button.
2. Touch **Tools > Admin Settings > Fax Address Book > Individuals**.
3. To add a contact, touch an unused contact, then touch **Edit**. To edit a contact, touch an existing contact, then touch **Edit**.
4. Touch **Name**, type a name, then touch **OK**.
5. Touch **Fax Number**, use the keypad to type a fax number, then touch **OK**. To insert a pause, press the **Redial/Pause** button (-).
6. Touch **OK**.

Adding or Editing Groups in the Fax Address Book at the Control Panel

1. At the printer control panel, press the **Machine Status** button.
2. Touch **Tools > Admin Settings > Fax Address Book > Groups**.
3. Touch an unused group in the list, or touch a group, then touch **Edit**.
4. Touch **Enter Group Name**, type a name for the group, then touch **OK**.
5. To add contacts to the group, touch **Add from Address Book**.
6. Touch the contacts you want to add to the group, then touch **OK**.
7. Touch **OK**.

Using the Address Book Editor Utility

The Address Book Editor utility allows you to manage address book contacts at your computer.

To access the Address Book Editor utility:

- For Windows computers, select **Start > Programs > Xerox Office Printing > WorkCentre 6027 Address Book Editor**.
- For Macintosh computers, navigate to **Applications > Xerox > WorkCentre 6027**, then open **Address Book Editor**.

Printing

7

This chapter includes:

- [Selecting Printing Options.....](#) 128
- [Mobile Printing Options.....](#) 131
- [Printing from a USB Flash Drive](#) 132
- [Using Custom Paper Sizes](#) 133
- [Printing on Both Sides of the Paper](#) 136

Selecting Printing Options

This section includes:

- [Windows Printing Options.....](#) 128
- [Macintosh Printing Options.....](#) 130

Print driver settings override control panel settings when you print using the print driver software on your computer.

Windows Printing Options

Setting Default Printing Options for Windows

When you print from any software application, the printer uses the print job settings specified in the Printing Preferences window. You can specify your most common printing options and save them so that you do not have to change them every time you print.

For example, if you want to print on both sides of the paper for most jobs, specify 2-sided printing in Printing Preferences.

To select default printing options:

1. Navigate to the list of printers on your computer:
 - For Windows Vista, click **Start > Control Panel > Hardware and Sound > Printers**.
 - For Windows Server 2003 and later, click **Start > Settings > Printers**.
 - For Windows 7, click **Start > Devices and Printers**.
 - For Windows 8, click **Control Panel > Devices and Printers**.

Note: If the Control Panel icon does not appear on the desktop, right-click on the desktop, then select **Personalize > Control Panel Home > Devices and Printers**.

2. In the list, right-click the icon for your printer and click **Printing Preferences**.
3. In the Printing Preferences window, click a tab, select the options, then click **OK** to save.

Note: For more information about Windows print driver options, click the Help button (?) in the Printing Preferences window.

Selecting Printing Options for an Individual Job for Windows

To use special printing options for a particular job, change the Printing Preferences from the application before sending the job to the printer. For example, if you want to use the Enhanced print-quality mode when printing a particular document, select Enhanced in Printing Preferences before printing the job.

1. With the document open in your software application, access the print settings. For most software applications, click **File > Print** or press **CTRL+P** for Windows.
2. Select your printer and click the **Properties** or **Preferences** button to open the Printing Preferences window. The title of the button can vary depending on your application.
3. Click a tab in the Printing Preferences window, then make selections.
4. Click **OK** to save and close the Printing Preferences window.
5. Click **Print** to send the job to the printer.

Selecting Printing Options for an Individual Job for Windows

To use special printing options for a particular job, you can change the Printing Preferences before sending the job to the printer.

1. With the document open in your software application, access the print settings. For most software applications, click **File > Print** or press **CTRL+P** for Windows.
2. Select your printer and click the **Properties** or **Preferences** button to open the Printing Preferences window. The title of the button can vary depending on your application.
3. Click a tab in the Printing Preferences window, then make selections.
4. Click **OK** to save and close the Printing Preferences window.
5. Click **Print** to send the job to the printer.

Selecting Printing Defaults in Windows for a Shared Network Printer

1. Navigate to the list of printers on your computer:
 - For Windows XP SP3, click **Start > Settings > Printers and Faxes**.
 - For Windows Vista, click **Start > Control Panel > Hardware and Sound > Printers**.
 - For Windows Server 2003 and later, click **Start > Settings > Printers**.
 - For Windows 7, click **Start > Devices and Printers**.
 - For Windows 8, click **Control Panel > Devices and Printers**.

Note: If the Control Panel icon does not appear on the desktop, right-click on the desktop, then select **Personalize > Control Panel Home > Devices and Printers**.

2. In the Printers folder, right-click the name of your print driver and select **Properties**.
3. In the printer Properties dialog box, click the **Advanced** tab.
4. On the Advanced tab, click **Printing Defaults**.
5. Make your selections on the driver tabs as needed, then click **Apply**.
6. Click **OK** to save your selections.

Saving a Set of Commonly Used Printing Options for Windows

You can define and save a set of options, so that you can apply them to future print jobs.

To save a set of printing options:

1. With the document open in your application, click **File > Print**.
2. To open the Printing Preferences window, select your printer, then click **Properties** or **Preferences**.
3. In the Printing Properties window, click the tabs, then select the desired settings
4. In the Printing Properties window, click **Saved Settings**, then click **Save As**.
5. To save the set of options in the Saved Settings list, type a name for the set of printing options, then click **OK**.

Macintosh Printing Options

Selecting Printing Options for Macintosh

To use specific printing options, change the settings before sending the job to the printer.

1. With the document open in your application, click **File > Print**.
2. Select your printer.
3. Select **Xerox® Features** from the Copies & Pages menu.
4. Select the desired printing options from the drop-down lists.
5. Click **Print** to send the job to the printer.

Saving a Set of Commonly Used Printing Options for Macintosh

You can define and save a set of options, so that you can apply them to future print jobs.

To save a set of printing options:

1. With the document open in your application, click **File > Print**.
2. Select your printer from the Printers list.
3. Select the desired printing options from the drop-down lists in the Print dialog box.
4. Click **Presets > Save As**.
5. Type a name for the printing options, then click **OK** to save the set of options in the Presets list.
6. To print using these options, select the name from the Presets list.

Mobile Printing Options

This printer can print from iOS and Android mobile devices.

Printing with Wi-Fi Direct

You can connect to your printer from a Wi-Fi mobile device, such as a tablet, computer, or smart phone, using Wi-Fi Direct.

For details, see [Connecting with Wi-Fi Direct](#) on page 38.

For details on using Wi-Fi Direct, refer to the documentation provided with your mobile device.

Note: Depending on which mobile device you are using, the printing procedure varies.

Printing with AirPrint

You can print directly from your iPhone, iPad, iPod touch, or Mac using AirPrint. To enable AirPrint for your printer, see [Configuring AirPrint](#) on page 39. To use AirPrint, ensure that your mobile device is connected to the wireless network.

To print with AirPrint:

1. Open the email, photograph, website page, or document that you want to print.
2. Tap the Action icon.
3. Tap **Print**.
4. Select your printer, then set the printer options.
5. Tap **Print**.

Printing from a Mopria-Enabled Mobile Device

Mopria is a software feature that enables users to print from mobile devices without requiring a print driver. You can use Mopria to print from your mobile device to Mopria-enabled printers.

Notes:

- Mopria and all of its required protocols are enabled by default.
- Ensure that you have the latest version of the Mopria Print Service installed on your mobile device. You can obtain a free download from the Google Play Store.
- Wireless devices must join the same wireless network as the printer.
- The name and location of your printer appears in a list of Mopria-enabled printers on connected devices.

To print using Mopria, follow the directions provided with your mobile device.

Printing from a USB Flash Drive

You can print a file stored on a USB Flash drive. The USB port is on the front of the printer.

To print from a USB Flash drive:

1. At the printer control panel, press the **Services Home** button.
2. Insert the USB Flash Drive into the USB memory port on the printer.
3. Touch **Print a File**.
4. Browse to a file, then touch the file name or icon.
5. Touch **OK**.
6. For the Output Color, Paper Supply, and Sides Per Page, select an option.
7. To enter the number of copies to print, use the keypad.
8. Press the green **Start** button.
9. To print another file from the USB Flash drive, select a file and repeat the steps.

When you finish printing, press **Services Home**, then remove the USB Flash drive.

Using Custom Paper Sizes

This section includes:

- [Defining Custom Paper Sizes](#) 133
- [Printing on Custom Paper Sizes](#) 134

The Xerox® WorkCentre® 6027 Multifunction Printer prints on custom paper sizes that are within the minimum and maximum size range supported by the printer.

Defining Custom Paper Sizes

To print custom paper sizes, define the custom width and length of the paper in the print driver software and on the printer control panel. When setting the paper size, ensure that you specify the same size as the paper in the tray. Setting the wrong size can cause a printer error. Print driver settings override control panel settings when you print using the print driver software on your computer.

Defining a Custom Paper Size for Windows

You can save up to 20 custom paper sizes in the Windows print driver. Save each custom size with a unique name and the dimensions are retained until you change them.

1. Navigate to the list of printers on your computer:
 - For Windows Vista, click **Start > Control Panel > Hardware and Sound > Printers**.
 - For Windows Server 2003 and later, click **Start > Settings > Printers**.
 - For Windows 7, click **Start > Devices and Printers**.
 - For Windows 8, click **Control Panel > Devices and Printers**.

Note: If the Control Panel icon does not appear on the desktop, right-click on the desktop, then select **Personalize > Control Panel Home > Devices and Printers**.

2. From the Printers and Faxes window, select a printer, right-click the printer, and select **Properties**.

Notes:

- For Windows 7, in the Devices and Printers window, right click the printer, and select **Printer Properties** from the middle of the drop-down list.
 - For Windows 7, you must have an Administrator Account to select Custom Settings in the print driver.
3. In the Properties dialog box, click the **Configuration** tab, then click **Custom Paper Size**.
 4. In the Custom Paper Size Settings dialog box, select the units of measurement to use.
 5. In the Custom Size Settings section, specify the size for the short edge and the long edge of the paper.

6. Select the **Name the Paper Size** check box, type a name in the Paper Name dialog box, then click **OK**.
7. In the Properties dialog box, click **OK**.
The custom size appears in the Paper Size list in the print driver Properties window.

Defining a Custom Paper Size for Macintosh

1. In the application you are printing from, select **File > Page Setup**.
2. From the Format For drop-down list, select the printer.
3. From the Paper Size drop-down list, select **Manage Custom Sizes**.
4. In the Custom Paper Sizes window, click plus (+) to add the new custom size.
5. For the custom paper size, enter the width and height.
6. In the Non-Printable Area drop-down list, select the printer.
7. Double-click **untitled**, then type a name for the new custom size.
8. Click **OK** to close the Custom Paper Sizes window.
9. Click **OK** to close the Page Setup window.
The new custom size is available in the Paper Size drop-down list of the print driver and in Page Setup.

Note: To use the custom paper size, select **Page Setup**, and select the custom size that you created from the Paper Size drop-down list.

Printing on Custom Paper Sizes

Note: Before printing on a custom paper size, use the Custom Paper Sizes feature in printer properties to define the custom size. For details, see [Defining Custom Paper Sizes](#) on page 133.

Printing on Custom Paper Size Using Windows

1. Load the custom-size paper in the tray.
2. In the application, click **File > Print** and select your printer.
3. In the Print dialog box, click **Properties**.
4. On the Paper/Output tab, use the **Paper Size** drop-down list to select the desired custom size.

Note: If you are printing on custom size paper, define the custom size in the printer properties before printing.

5. From the Paper Type drop-down list, select the paper type.
6. Select any other desired options, then click **OK**.
7. In the Print dialog box, click **OK** to start printing.

Printing on Custom Paper Size Using Macintosh

1. Load the custom-size paper. For details, see [Loading Paper](#) on page 87.
2. In the application, click **Page Setup**.
3. From the Paper Size drop-down list, select the custom paper size.
4. Click **OK**.
5. In the application, click **Print**.
6. Click **OK**.

Printing on Both Sides of the Paper

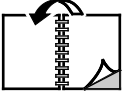



This section includes:

- [Setting Up 2-Sided Printing](#) 136
- [Loading Paper for Manual 2-Sided Printing](#) 136

The Xerox® WorkCentre® 6027 Multifunction Printer supports manual 2-sided printing. You can set printing preferences to print your jobs on both sides of the paper.

Use 2-Sided Printing to specify the page orientation for the printed output.

You can specify the page layout for 2-sided printing, which determines how the printed pages turn. These settings override the application page orientation settings.

Portrait		Landscape	
			
Portrait 2-Sided Print	Portrait 2-Sided Print, Flip on Short Edge	Landscape 2-Sided Print	Landscape 2-Sided Print, Flip on Short Edge

Setting Up 2-Sided Printing

To set up manual 2-sided printing:

1. From the File menu, select **Print**.
2. Select the printer from the Select Printer list, then click **Properties**.
3. From the Duplex window on the Paper/Output tab, select **Flip on Long Edge** or **Flip on Short Edge**.
4. Select the Paper Size and Paper Type to match the paper you are using.
5. To close the Printing Preferences dialog box, click **OK**.
6. To start printing, click **Print**.

Note: When you start manual 2-sided printing, the Manual Duplex Setup window appears. Do not close the window until you have completed the 2-sided printing. Once the window is closed, it cannot be reopened.

Loading Paper for Manual 2-Sided Printing

For manual 2-sided printing, the back sides of the pages are printed first in reverse order. For a six-page document, the pages are printed page 6, page 4, and then page 2. Once the even pages are printed, the paper is reloaded. The odd pages are printed page 1, page 3, and then page 5.

Copying

8

This chapter includes:

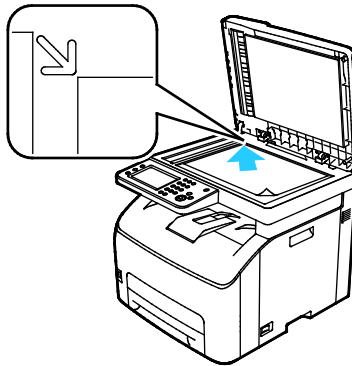
- [Making Copies](#) 138
- [Adjusting Copying Options](#) 141

Making Copies

You can make copies using the document glass or the automatic document feeder.

To make copies using the document glass:

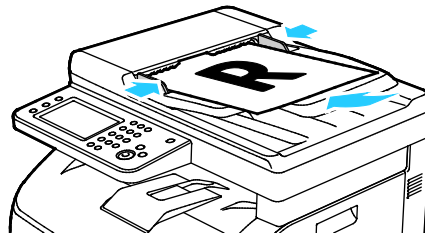
1. For paper that cannot be fed using the automatic document feeder, use the document glass.
2. To clear previous control panel copy settings, press the **Clear All** button.
3. Lift the automatic document feeder, then place the original face down in the upper left corner of the document glass.



4. At the control panel, touch **Copy**.
5. Using the control panel keypad, enter the desired number of copies. The number of copies appears on the upper right corner of the display. To reset the number of copies to 1, press **Clear All**.
For details on how to customize the copy settings, see [Adjusting Copying Options](#) on page 141.
6. Press the green **Start** button.

To make copies using the automatic document feeder:

1. For single or multiple pages, use the automatic document feeder.
2. To clear previous control panel copy settings, press the **Clear All** button.
3. Remove any staples and paper clips from the pages, then place them face up in the automatic document feeder.
4. Insert originals face up with the top of the page entering the feeder first.
5. Adjust the paper guides so they fit against the originals.



6. At the control panel, touch **Copy**.
7. Using the control panel keypad, enter the desired number of copies. The number of copies appears on the upper right corner of the display. To reset the number of copies to 1, press **Clear All**.

Note: For details on how to customize the copy settings, see [Adjusting Copying Options](#) on page 141.

8. Press the green **Start** button.

Note: If you place originals in the automatic document feeder, copying continues until the automatic document feeder is empty.

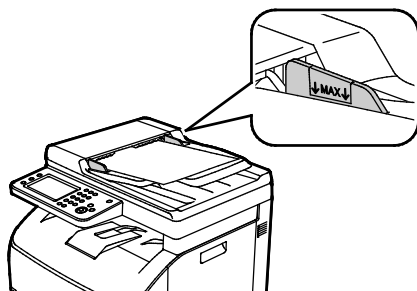
Automatic Document Feeder Guidelines

The automatic document feeder accommodates the following originals:

- Width: 139.7–215.9 mm (5.5–8.5 in.)
- Length: 139.7–355.6 mm (5.5–14 in.)
- Weight: 50–125 g/m²

Follow these guidelines when loading originals into the automatic document feeder:

- Load originals face up so that the top of the document enters the feeder first.
- Place only loose sheets of paper in the automatic document feeder.
- Adjust the paper guides so that they fit against the originals.
- Insert paper in the automatic document feeder only when ink on the paper is dry.
- Do not load originals above the MAX fill line.



Document Glass Guidelines

You can use the document glass to scan or copy a single page of a document at a time. The document glass accommodates original sizes up to 216 x 297 mm (8.5 x 11.7 in.).

You can use the document glass to copy or scan the following types of originals.

- Plain paper documents
- Paper with paper clips or staples attached
- Paper with wrinkles, curls, folds, tears, or notches
- Coated or carbonless paper or items other than paper such as cloth or metal
- Envelopes
- Books

Copying an ID Card

You can copy both sides of an ID card or small document onto one side of paper. Each side is copied using the same location on the document glass. The printer stores both sides and prints them side by side on the paper.

To copy an ID card:

1. At the printer control panel, press the **Services Home** button.
2. Touch **ID Card Copy**.
3. For side 1, for the ID Card Copy tab, verify the Output Color and Lighten/Darken settings. Change the settings as needed.
4. Touch the **Image Quality** tab.
5. Verify the Sharpness and Auto Exposure settings. Change the settings as needed.
6. Lift the document cover.
7. Place the ID card, or a document smaller than half the selected paper supply size, in the upper left corner of the document glass.
8. Position the ID card approximately 6 mm (0.25 in.) from the upper left corner of the document glass.
9. Close the document cover.
10. To scan the first side of the document, press **Start**.
11. If the original document is 1-sided, to print the scanned object, touch **Done Print Now**.
If the document or ID card is 2-sided, open the document cover, then turn over the original document.
12. Reposition the document about 6 mm (0.25 in.) from the upper left corner of the document glass, then close the document cover.
13. To scan and print the document, touch **Scan Another Page**.
14. Remove the ID card from the scanner.

Adjusting Copying Options

This section includes:

- [Basic Settings](#)..... 142
- [Image-Quality Settings](#) 143
- [Output Adjustments](#) 144
- [Changing the Default Copy Settings](#)..... 146
- [Limiting Access to Copying](#)..... 149

You can adjust numerous options for your copy jobs, specify characteristics of the original documents, and customize the output. For details, see [Basic Copying](#) on page 142.

You can also modify the default settings for many options. For details, see [Selecting Default Copy Settings](#) on page 146.

Basic Settings

This section includes:

- [Selecting Color or Black and White Copies](#) 142
- [Making the Image Lighter or Darker](#) 142

Selecting Color or Black and White Copies

If the original document contains color, you can create copies in full color or in black and white. The color mode indicators light to show the current setting.

Note: This setting returns to its default after the copy job is complete. To modify the default setting, see [Changing the Default Copy Settings](#) on page 142, on page 146.

To select color or black and white printing:

1. At the printer control panel, press the **Services Home** button.
2. Touch **Copy**.
3. Under the Copy tab, touch **Output Color**.
4. Select an option:
 - **Full Color**
 - **Black & White**
5. Touch **OK**.

Making the Image Lighter or Darker

1. At the printer control panel, press the **Services Home** button.
2. Touch **Copy**.
3. Under the Copy tab, touch **Lighten/Darken**.
4. To lighten or darken the image, touch the buttons to move the slider.
5. Touch **OK**.

Image-Quality Settings

This section includes:

- [Specifying the Original Document Type](#)..... 143
- [Adjusting the Sharpness](#) 143

Specifying the Original Document Type

To specify the type of the original document:

1. At the printer control panel, press the **Services Home** button.
2. Touch **Copy**.
3. Touch the **Quality** tab.
4. Touch **Document Type**.
5. Touch one of the following:
 - **Photo & Text:** Use this setting for both photographs and text, such as magazines or newspapers. Photo & Text is the default setting.
 - **Text:** Use this option for black and white or colored text.
 - **Photo:** Use this option for photographs.
6. Touch **OK**.

Adjusting the Sharpness

1. At the printer control panel, press the **Services Home** button.
2. Touch **Copy**.
3. Touch the **Quality** tab.
4. Touch **Sharpness**, then select an option.
5. Touch **OK**.

Output Adjustments

Collating Copies

You can automatically collate multi-page copy jobs. For example, when making three 1-sided copies of a six-page document, the copies are printed in this order:

1, 2, 3, 4, 5, 6; 1, 2, 3, 4, 5, 6; 1, 2, 3, 4, 5, 6

Uncollated copies print in the following order:

1, 1, 1, 2, 2, 2, 3, 3, 3, 4, 4, 4, 5, 5, 5, 6, 6, 6

To select a collating option:

1. At the printer control panel, press the **Services Home** button.
2. Touch **Copy**.
3. Touch the **Output** tab.
4. Touch **Collated**.
5. Touch one of the following:
 - **Collated**: Prints the pages in consecutive order.
 - **Uncollated**: Turns off collation.
6. Touch **OK**.

Reducing or Enlarging the Image

You can reduce the image to as little as 25 % of its original size or enlarge it as much as 400 % .

To reduce or enlarge the copied image:

1. At the printer control panel, press the **Services Home** button.
2. Touch **Copy**.
3. Touch the **Output** tab.
4. Touch **Reduce/Enlarge**.
5. Touch one of the following:
 - To select a preset image size, touch a button.
 - To set the copy size in increments of 1 %, touch the + or - buttons or use the keypad to set the percentage. The default setting is 100 % .
6. Touch **OK**.

Specifying the Original Document Size

1. At the printer control panel, press the **Services Home** button.
2. Touch **Copy**.
3. Touch the **Output** tab.
4. Touch **Document Size**.
5. Select the size of the original document.
6. Touch **OK**.

Changing Output Color

1. Touch **Output Color**.
2. Select a color mode.
3. Touch **OK**.

Changing the Default Copy Settings

This section includes:

- Changing Collation..... 146
- Changing Reduce/Enlarge..... 146
- Changing the Original Size..... 147
- Changing the Original Document Type 147
- Changing Lighten/Darken 147
- Changing the Default for Sharpness 147
- Changing the Default for Color Saturation 147
- Changing the Auto Exposure 147
- Changing Auto Background Suppression Level..... 147
- Changing the Default Color Balance..... 148
- Changing the Default for 2-Up..... 148
- Changing Edge Erase 148

The printer uses the default copy settings on all copy jobs unless you change them for an individual job. You can modify the default copy settings.

To change the default copy settings:

1. At the printer control panel, press the **Machine Status** button.
2. Touch the **Tools** tab.
3. Touch **Default Settings**.
4. Touch **Copy Defaults**, then touch the option that you want to change.

Changing Collation

1. Touch **Collation**.
2. Touch one of the following:
 - **Collated**: Turns on collation for originals placed on the document glass only.
 - **Uncollated**: Turns off collation.
3. Touch **OK**.

Changing Reduce/Enlarge

1. Touch **Reduce/Enlarge**.
2. Touch one of the following:
 - To select a default preset image size, touch a button.
 - To set the default copy size in increments of 1 %, touch the **+** or **-** buttons or use the keypad to set the percentage.
3. Touch **OK**.

Changing the Original Size

1. Touch **Document Size**.
2. Select the size of the original document.
3. Touch **OK**.

Changing the Original Document Type

1. Touch **Original Type**.
2. Touch one of the following:
 - **Photo & Text**: Use this setting for both photographs and text, such as magazines or newspapers.
 - **Text**: Use this option for black and white or colored text.
 - **Photo**: Use this option for photographs.
3. Touch **OK**.

Changing Lighten/Darken

1. Touch **Lighten/Darken**.
2. To change the lighten or darken default, touch the buttons to move the slider.
3. Touch **OK**.

Changing the Default for Sharpness

1. Touch **Sharpness**, then select an option.
2. Touch **OK**.

Changing the Default for Color Saturation

1. Touch **Color Saturation**, then select an option.
2. Touch **OK**.

Changing the Auto Exposure

1. Touch **Auto Exposure**, then select an option.
2. Touch **OK**.

Changing Auto Background Suppression Level

1. Touch **Auto Background Suppression Level**, then select an option.
2. Touch **OK**.

Changing the Default Color Balance

The Color Balance control allows you to adjust the print color of your printer. Each of the four primary colors of red, green, blue, and gray balance, have five density settings. The density settings adjust the output based on the level of color saturation. Adjusting the setting negatively lowers the density and lightens the output. Adjusting the setting positively increases the density and darkens the output. Examples of low density areas include faces and sky.

To change the default color balance:

1. Touch **Color Balance**.
2. Touch the color you want to adjust.
3. To adjust the default density setting from -3 through +3, touch - or +.
4. Touch **OK**.

Changing the Default for 2-Up

1. Touch **2-Up**, then select an option.
2. Touch **OK**.

Changing Edge Erase

1. Touch **Edge Erase**.
2. To set the edge erase default, touch the + or - buttons.
3. Touch **OK**.

Limiting Access to Copying

The Copy Lock options limit access to copying by requiring a password to use the Copy function or to make color copies. You can also turn off copying.

To set the copy lock:

1. At the printer control panel, press the **Machine Status** button.
2. Touch **Tools**, then touch **Admin Settings**.
3. If prompted, enter the four-digit password, then touch **OK**.
4. Touch **Secure Settings**.
5. Touch **Service Lock**.

Note: Before you set the service locks, enable Panel Lock. For more information, see [Configuring Secure Settings](#) on page 76.

6. Touch a Copy, Email, Fax, or Scan option.
7. Touch an option:
 - **Unlocked:** Enables the Copy function.
 - **Locked:** Disables the Copy function.
 - **Password Locked:** Enables the Color Copy function but requires a password. Enter a new password, then touch **OK**.
 - **Color Password Locked:** Enables the Color Copy function but requires a password. Enter a new password, then touch **OK**.
8. Touch **OK**.

Maintenance

9

This chapter includes:






- [Cleaning the Printer](#) 152
- [Adjustments and Maintenance Procedures](#)..... 160
- [Initializing Non-Volatile Memory](#)..... 166
- [Clearing Job History](#) 167
- [Ordering Supplies](#) 168
- [Managing the Printer](#) 171
- [Moving the Printer](#) 172

Cleaning the Printer

This section includes:

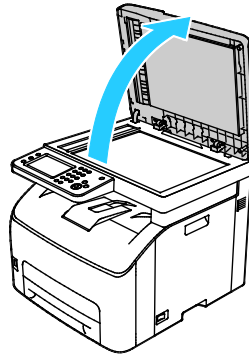
- [General Precautions..... 152](#)
- [Cleaning the Scanner 153](#)
- [Cleaning the Exterior 154](#)
- [Cleaning the Interior 155](#)

General Precautions

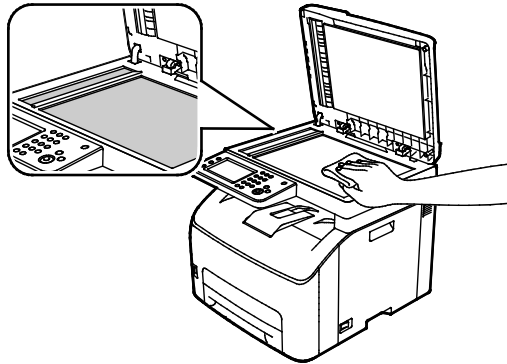
-  **CAUTION:** When cleaning your printer do not use organic or strong chemical solvents or aerosol cleaners. Do not pour fluids directly into any area. Use supplies and cleaning materials only as directed in this documentation.
 -  **WARNING:** Keep all cleaning materials out of the reach of children.
 -  **WARNING:** Do not use pressurized spray cleaning aids on or in the printer. Some pressurized sprays contain explosive mixtures and are not suitable for use in electrical applications. Use of pressurized spray cleaners increases the risk of fire and explosion.
 -  **WARNING:** Do not remove the covers or guards that are fastened with screws. You cannot maintain or service any parts that are behind these covers and guards. Do not attempt any maintenance procedure that is not described in the documentation supplied with your printer.
 -  **WARNING:** Internal parts of the printer can be hot. Use caution when doors and covers are open.
- Do not place anything on top of the printer.
 - Do not leave the covers and doors open for any length of time, especially in well-lit places. Light exposure can damage the imaging units.
 - Do not open covers and doors during printing.
 - Do not tilt the printer while it is in use.
 - Do not touch the electrical contacts or gears. Doing so could damage the printer and cause the print quality to deteriorate.
 - Ensure any parts removed during cleaning are replaced before you plug in the printer.

Cleaning the Scanner

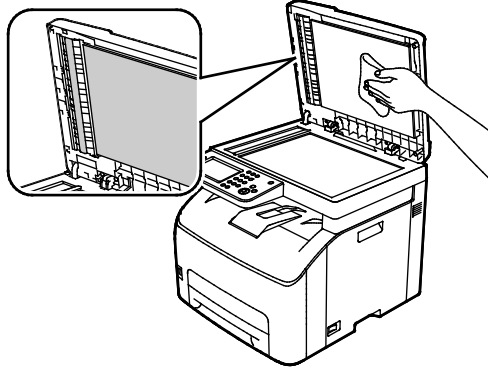
1. Moisten a soft, lint-free cloth with the glass cleaner of your choice.
2. Remove any paper from the automatic document feeder output tray.
3. Open the document cover.



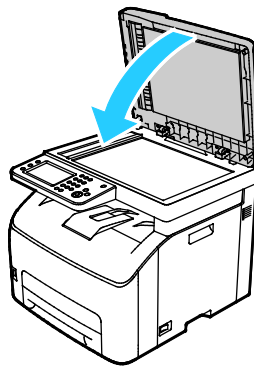
4. Wipe the surface of the document glass until it is clean and dry.



5. Wipe the white underside of the document cover until it is clean and dry.



6. Close the document cover.



Cleaning the Exterior

Clean the exterior of the printer once a month.

- Wipe the paper tray, output tray, control panel, and other parts with a damp, soft cloth.
- After cleaning, wipe with a dry, soft cloth.
- For stubborn stains, apply a small amount of mild detergent to the cloth and gently wipe the stain off.




CAUTION: Do not spray detergent directly on the printer. Liquid detergent could enter the printer through a gap and cause problems. Never use cleaning agents other than water or mild detergent.

Cleaning the Interior


After clearing paper jams or replacing a toner cartridge, inspect the inside of the printer before closing the printer covers and doors.

- Remove any remaining pieces of paper or debris. For details, see [Clearing Paper Jams](#) on page 181.
- Remove any dust or stains with a dry, clean cloth.

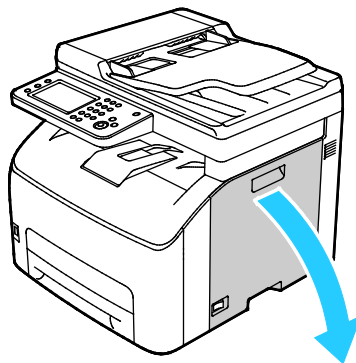
 **WARNING:** Never touch a labeled area on or near the heat roller in the fuser. You can get burned. If a sheet of paper is wrapped around the heat roller, do not try to remove it immediately. Switch off the printer immediately and wait 20 minutes for the fuser to cool. Try to remove the jam after the printer has cooled.

Cleaning the LED Lenses

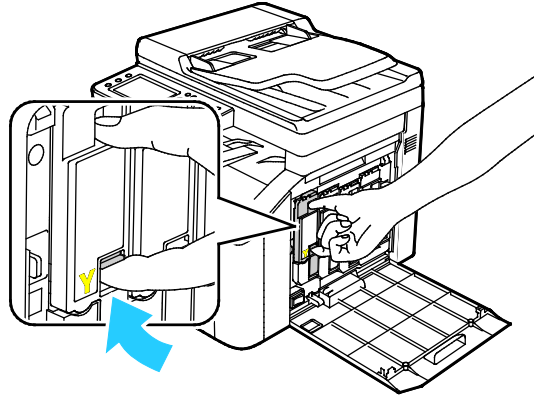
If prints have voids or light streaks through one or more colors, use the following instructions to clean the Light Emitting Diode (LED) lenses.

 **WARNING:** If you accidentally get toner on your clothes, lightly dust them off as best as you can. If some toner remains on your clothes, use cool water, not hot, to rinse off the toner. If toner gets on your skin, wash it off with cool water and a mild soap. If you get toner in your eyes, wash it out immediately with cool water and consult a doctor.

1. Turn off the printer.
2. Open the side door.

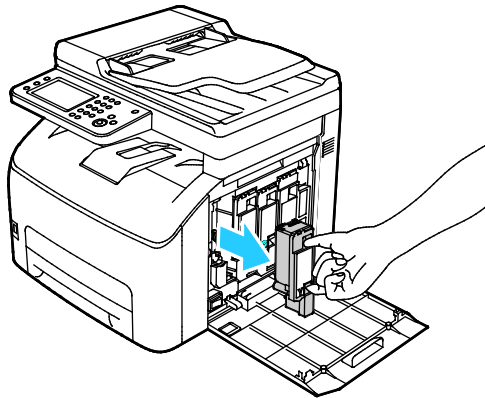


3. Pinch the release tab on the toner cartridge as shown.



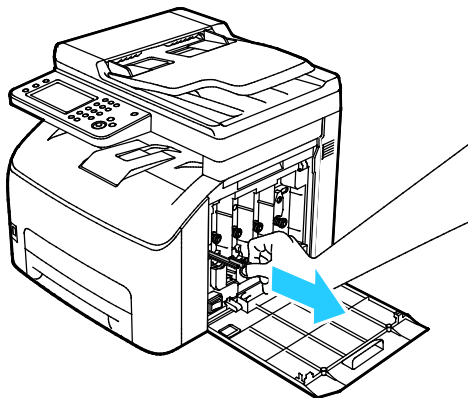
4. Pull out the toner cartridge.

Note: To avoid spilling toner, pull out the toner cartridge slowly.

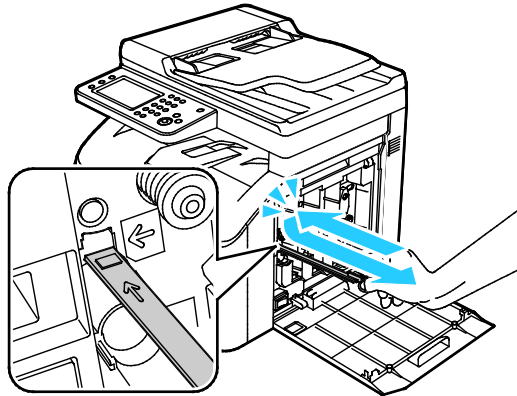


5. Remove the remaining toner cartridges in the same manner.
6. Pull out the cleaning rod.

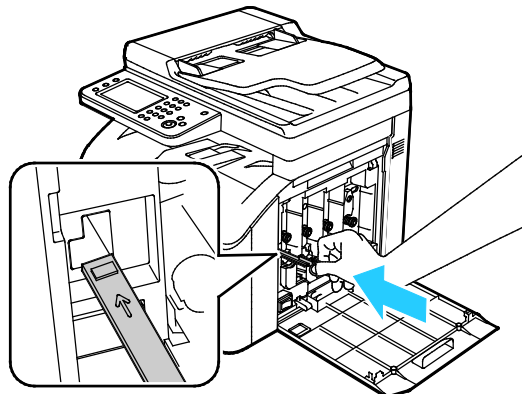
Note: To remove toner and debris from the top of the cleaning rod, wipe it with a clean lint-free cloth.



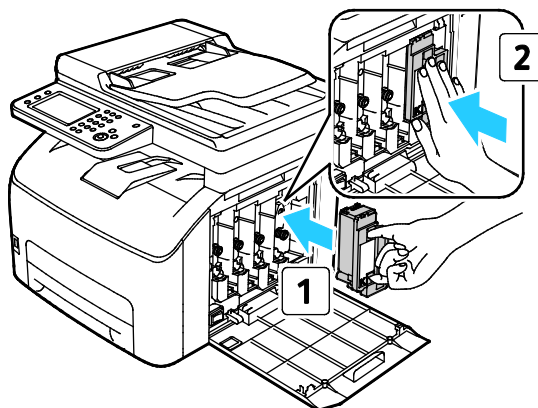
7. Insert the cleaning rod into the hole indicated by the arrow in the middle of the toner cartridge slot. Push in the cleaning rod until it stops, then pull it out.



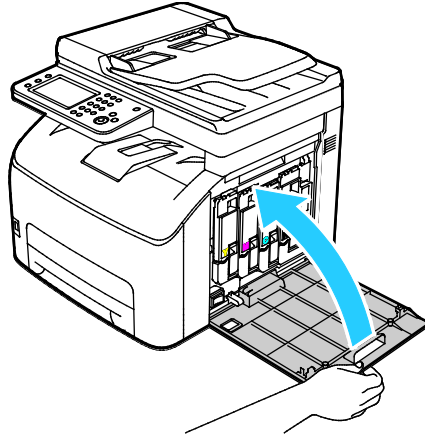
8. Repeat the procedure for the holes in the other three slots.
9. Return the cleaning rod to its original location.



10. Align the black toner cartridge with the rear toner slot. Press firmly near the center of the cartridge until it clicks into place.



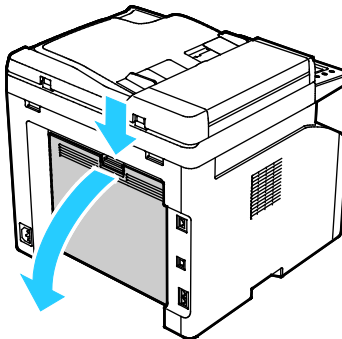
11. Replace the remaining three toner cartridges in the same manner.
12. Close the side door.



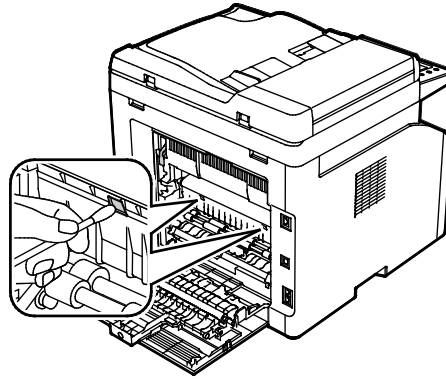
Cleaning the Color Toner Density Sensors

Note: Clean the color toner density (CTD) sensors when an alert for the CTD sensors appears on the control panel or in PrintingScout Printer Status window.

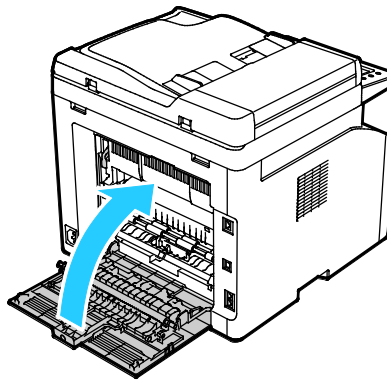
1. Turn off the printer.
2. Push down the rear cover release lever and pull open the cover.



3. Use a dry cotton swab to clean the color toner density sensors.



4. Close the rear cover.



Adjustments and Maintenance Procedures

This section includes:

• Adjusting for the Paper Type.....	160
• Adjusting the Bias Transfer Roller.....	161
• Adjusting the Fuser	161
• Color Registration	162
• Refreshing the Bias Transfer Roller	164
• Adjusting the Altitude.....	164
• Adjusting the Touchscreen	165

Adjusting for the Paper Type

Use Adjust Paper Type to compensate for paper thickness within a paper type. If the printed image is too light, use a heavier setting for the paper you are using. If the printed image is mottled or blotchy-looking, decrease the setting for the paper you are using.

To adjust the paper type:

1. At the printer control panel, press the **Machine Status** button.
2. Touch **Tools**, then touch **Admin Settings**.
3. Using the keypad, type the passcode as needed.
4. Touch **Service Tools**.
5. Touch **Adjust Paper Type**.
6. Touch **Plain** or **Labels**.
7. To select the weight range of the paper, touch **Lightweight** or **Heavyweight**.
8. To return to the Services Home menu, press the **Services Home** button.

Adjusting the Bias Transfer Roller

Use Adjust BTR to specify the bias transfer roller (BTR) voltage for printing on the selected paper type. If the printed image is too light, increase the offset for the paper you are using. If the printed image is mottled or blotchy-looking, decrease the offset for the paper you are using.

To adjust the bias transfer roller:

1. At the printer control panel, press the **Machine Status** button.
2. Touch **Tools**, then touch **Admin Settings**.
3. Using the keypad, type the passcode as needed.
4. Touch **Service Tools**.
5. Touch **Adjust BTR**.
6. Select the paper type for the adjustment.
7. To increase or decrease the amount of offset, touch Plus (+) or Minus (-), then touch **OK**.
8. Repeat this procedure for each paper type you need to adjust.

Adjusting the Fuser

Use Adjust Fuser for optimum print quality across a wide range of paper types. If the toner on a print is smearing or can be rubbed off the paper, increase the offset for the paper you are using. If the toner is blistered or mottled, decrease the offset for the paper you are using.

To adjust the fuser:

1. At the printer control panel, press the **Machine Status** button.
2. Touch **Tools**, then touch **Admin Settings**.
3. Using the keypad, type the passcode as needed.
4. Touch **Service Tools**.
5. Touch **Adjust Fuser**.
6. Select the paper type for the adjustment.
7. To increase or decrease the amount of offset, touch Plus (+) or Minus (-), then touch **OK**.
8. Repeat this procedure for each paper type you need to adjust.

Color Registration

The printer automatically adjusts the color registration when automatic adjustment is turned on. You can also adjust color registration manually any time the printer is idle. You must adjust the color registration any time the printer is moved. If you are having printing problems, adjust the color registration.

Setting Automatic Color Registration

1. At the printer control panel, press the **Machine Status** button.
2. Touch **Tools**, then touch **Admin Settings**.
3. Using the keypad, type the passcode as needed.
4. Touch **Service Tools**.
5. Touch **Auto Reg Adjust**.
6. Touch **On**, then touch **OK**.
7. To navigate back to Maintenance, touch the **Back** button.

Performing an Automatic Color Registration Adjustment

Automatic color registration adjustment occurs every time a new toner cartridge is installed. You can run this adjustment at other times as needed.

To perform an automatic color registration adjustment:

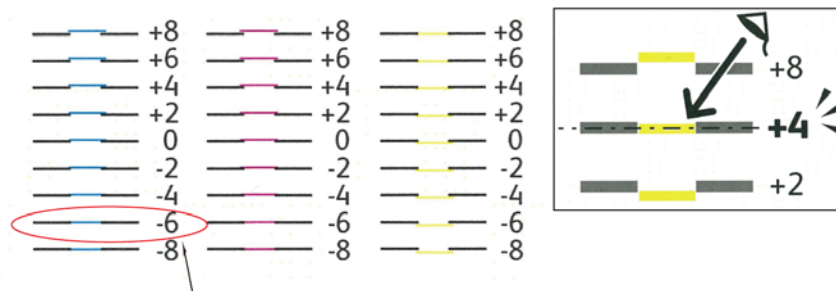
1. At the printer control panel, press the **Machine Status** button.
2. Touch **Tools**, then touch **Admin Settings**.
3. Using the keypad, type the passcode as needed.
4. Touch **Service Tools**.
5. Touch **Color Reg Adjust**.
6. Touch **Auto Correct**.
7. Touch **Start**.
8. To begin the calibration, press **Start** again.

Performing a Manual Color Registration Adjustment

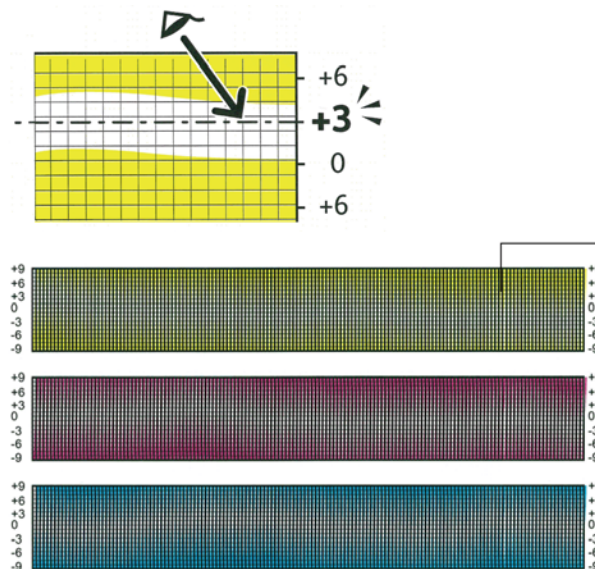
Color Registration adjusts the printer to make corrections to blurry or hazy prints, or prints with color halos.

To perform a color registration adjustment:

1. At the printer control panel, press the **Machine Status** button.
2. Touch **Tools**, then touch **Admin Settings**.
3. Using the keypad, type the passcode as needed.
4. Touch **Service Tools**.
5. Touch **Color Registration**.
6. Touch **Print Registration Chart**.
7. Touch **Print**.
8. Starting with the left side calibration lines, circle the line in each group where the color bar aligns with the adjacent black bars.



9. Repeat the process for the right side calibration lines, RY, RM, and RC.
10. Align a straight edge through the middle of the white zone in each of the PY, PM, and PC charts. There is a number at the end of each chart that represents the middle of the white zone. Find the number for the middle of the white zone and circle it.



11. Touch **Enter Registration Value**.
12. To enter values for each LY, LM, and LC fields, touch Plus (+) or Minus (-) to match the numbers that you circled earlier.
13. Touch **Next**.
14. To enter values for each RY, RM, and RC fields, touch Plus (+) or Minus (-) to match the numbers that you circled earlier.
15. Touch **Next**.
16. To enter values for each PY, PM, and PC fields, touch Plus (+) or Minus (-) to match the numbers that you circled earlier.
17. Touch **OK**.
18. Print another Registration Chart, then repeat the process until you complete the color registration corrections.

Refreshing the Bias Transfer Roller

Use the BTR Refresh procedure to reduce paper curling and improve paper discharge.

To refresh the bias transfer roller:

1. At the printer control panel, press the **Machine Status** button.
2. Touch **Tools**, then touch **Admin Settings**.
3. Using the keypad, type the passcode as needed.
4. Touch **Service Tools**.
5. Select **BTR Refresh**, then press **Start**.

Adjusting the Altitude

Use Adjust Altitude to adjust the altitude to match that of the location where the printer is installed. If the altitude setting is incorrect, it can cause print-quality problems.

To adjust the altitude:

1. At the printer control panel, press the **Machine Status** button.
2. Touch **Tools**, then touch **Admin Settings**.
3. Using the keypad, type the passcode as needed.
4. Touch **Service Tools**.
5. Touch **Adjust Altitude**.
6. To select an altitude from the list, touch it.
7. Touch **OK**.
8. To return to the Services Home menu, press the **Services Home** button.

Adjusting the Touchscreen

You can use the Adjust Touchscreen feature to calibrate the touch positions on the touchscreen.

To adjust the touchscreen:

1. At the printer control panel, press the **Machine Status** button.
2. Touch **Tools**, then touch **Admin Settings**.
3. Using the keypad, type the passcode as needed.
4. Touch **Service Tools**.
5. Touch **Adjust Touchscreen**.
6. Read the instructions, then touch **OK**.
7. Touch each cross as it appears.
Note: To improve the accuracy of the adjustment, to touch the center of each cross, use a stylus.
8. Touch **OK**.
9. To return to the Services Home menu, press the **Services Home** button.

Initializing Non-Volatile Memory

This feature initializes the settings stored in the non-volatile memory (NVM) except for the network settings. The NVM stores printer settings even after the power is turned off. After executing this function and restarting the printer, all menu settings are reset to their default values.

To initialize non-volatile memory:

1. At the printer control panel, press the **Machine Status** button.
2. Touch **Tools > Admin Settings**.
3. Use the keypad to the passcode as needed.
4. Touch **Service Tools**, scroll to the next screen, then touch **Initialize NVM**.
5. To select to reset the non-volatile memory, touch **User Fax Section, User Scan Section, or System Section**.
6. Touch **Initialize > Yes, Initialize**.
7. To cancel, touch the **No, Cancel** button.
8. To return to the Service Tools menu, press the **Back** arrow. To return to the Services Home menu, press the **Services Home** button.

Clearing Job History

The printer retains information on previous printing jobs, including the date, time, job type, document name, output color, paper size, number of pages, and results. The status of a maximum of 20 jobs prints on the Job History Report. You can use Clear Job History to clear all jobs from the list.

To clear job history:

1. At the printer control panel, press the **Machine Status** button.
2. Touch **Tools**, then touch **Admin Settings**.
3. Using the keypad, type the passcode as needed.
4. Touch **Service Tools**.
5. Touch **Clear Job History**.
6. To clear the job history, touch **Start**.
To close without clearing the job history, touch **Cancel**.

Ordering Supplies

This section includes:

- [Consumables.....](#) 168
- [When to Order Supplies.....](#) 168
- [Toner Cartridges.....](#) 169
- [Recycling Supplies.....](#) 170

Consumables

Consumables are printer supplies that get depleted during the operation of the printer. Consumable supplies for this printer are the Genuine Xerox® Toner Cartridges in Cyan, Magenta, Yellow, and Black.

Notes:

- Each consumable includes installation instructions.
- Install only new cartridges in your printer. If a used toner cartridge is installed, then the toner remaining amount displayed could be inaccurate.
- To ensure print quality, the toner cartridge has been designed to cease functioning at a predetermined point.



CAUTION: Use of toner other than genuine Xerox® Toner can affect print quality and printer reliability. Xerox® Toner is the only toner designed and manufactured under strict quality controls by Xerox for specific use with this printer.

When to Order Supplies

A warning appears on the control panel when supplies near their replacement time. Verify that you have replacements on hand. It is important to order these items when the messages first appear to avoid interruptions to your printing. An error message appears on the control panel when supplies must be replaced.

Order supplies from your local reseller or go to www.xerox.com/office/WC6027supplies.



CAUTION: Use of non-Xerox supplies is not recommended. The Xerox Warranty, Service Agreement, and Total Satisfaction Guarantee do not cover damage, malfunction, or degradation of performance caused by use of non-Xerox supplies, or the use of Xerox supplies not specified for this printer. The Total Satisfaction Guarantee is available in the United States and Canada. Coverage could vary outside these areas. Please contact your Xerox representative for details.

Toner Cartridges

This section includes:

- [General Precautions](#)..... 169
- [Replacing a Toner Cartridge](#)..... 169
- [Refreshing the Toner](#)..... 170
- [Cleaning the Developer](#)..... 170

General Precautions



WARNINGS:

- When replacing a toner cartridge, be careful not to spill the toner. If any toner spills, avoid contact with clothes, skin, eyes, and mouth. Do not inhale the toner dust.
- Keep toner cartridges out of the reach of children. If a child accidentally swallows toner, have the child spit out the toner, and rinse out their mouth with water. Consult a physician immediately.



WARNING: Use a damp cloth to wipe off spilled toner. Never use a vacuum cleaner to remove spills. Electric sparks inside the vacuum cleaner can cause a fire or explosion. If you spill a large volume of toner, contact your local Xerox representative.



WARNING: Never throw a toner cartridge into an open flame. Remaining toner in the cartridge can catch fire and cause burn injuries or an explosion.

Replacing a Toner Cartridge

When a toner cartridge reaches its usable life span, the control panel displays a message. PrintingScout displays the toner status in the Printer Status window. When a toner cartridge is empty, the printer stops and displays messages on the control panel and in the PrintingScout Printer Status window.

Install only new cartridges in your printer. If a used toner cartridge is installed, then the toner remaining amount displayed could be inaccurate.

Note: Each toner cartridge includes installation instructions.

Printer Status Message	Cause and Solution
Printer Toner Cartridge is Close to Life.	The toner cartridge is low. Order a new toner cartridge.
Replace the toner cartridge or check that the toner cartridge is properly seated.	The toner cartridge is empty. Replace the toner cartridge with a new one.

Refreshing the Toner

Toner Refresh recalibrates toner concentration and developer voltages. If you print documents with high or low ink coverage, Toner Refresh can optimize print quality.

To refresh the toner:

1. At the printer control panel, press the **Machine Status** button.
2. Touch **Tools**, then touch **Admin Settings**.
3. Using the keypad, type the passcode as needed.
4. Touch **Service Tools**.
5. Touch **Toner Refresh**.
6. Touch the toner color to refresh, then touch **Refresh**.

The process runs automatically. Wait one minute for the process to complete and the printer to return to Ready mode.

Note: Do not use this procedure repeatedly. Running the procedure repeatedly uses the toner supply more quickly.

Cleaning the Developer

The Clean Developer feature runs the developer motor and stirs the toner in the toner cartridge. Use Clean Developer to clean toner from a cartridge just before changing it or to refresh the toner after replacing a toner cartridge.

To clean the developer:

1. At the printer control panel, press the **Machine Status** button.
2. Touch **Tools > Admin Settings**.
3. Touch **Service Tools**, then touch **Clean Developer**.
4. Touch **Start > Start**.
Wait one minute for the process to complete and the printer to return to Ready mode.
5. To return to the Maintenance menu, touch **Close**.

Recycling Supplies

For more information on the Xerox® supplies recycling program, go to: www.xerox.com/gwa.

Managing the Printer

This section includes:

- [Checking Page Counts](#) 171
- [Changing the Passcode Using the Control Panel](#)..... 171

Checking Page Counts

You can check the total number of printed pages on the Configuration Page. The Print Volume section lists the total number of pages printed on each paper size.

Use Billing Meters to view impression count details for the printer. The current counts for color, black and white, and combined total impressions appear on the Billing Meters screen. The impression counts shown are used for billing. A page is one side of a sheet of paper that can be printed on one or two sides. A sheet printed on two sides counts as two impressions.

Printing a Configuration Page

1. At the printer control panel, press the **Machine Status** button.
2. Touch **Information Pages**.
3. Touch **Configuration**, then touch **Print**.

Viewing Billing Meters

1. At the printer control panel, press the **Machine Status** button.
2. Touch **Billing Meters**.
3. After you view the readings, to close the window, touch **X**, or to return to the Services Home menu, press the **Services Home** button.

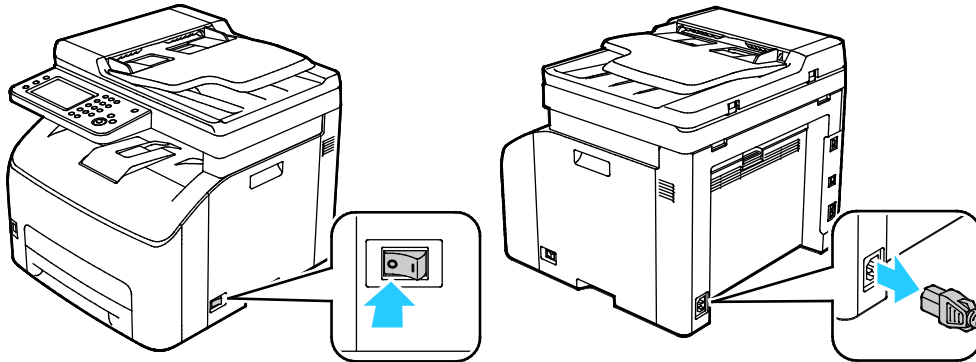
Changing the Passcode Using the Control Panel


1. At the printer control panel, press the **Machine Status** button.
2. Touch **Tools** > **Admin Settings**.
3. At the prompt, enter a four-digit passcode, then touch **OK**.
4. Use the **Up** or **Down** arrows to navigate, then touch **Secure Settings**.
5. Touch **Panel Lock**, then touch **Change Passcode**.
6. At the prompt, enter a four-digit passcode, then touch **OK**.
7. At the prompt, enter the new passcode, then touch **OK**.
8. At the prompt, re-enter the passcode, then touch **OK**.
9. Touch the **Back** arrow to return to the previous menu, or press the **Services Home** button to return to Service Home.

Moving the Printer

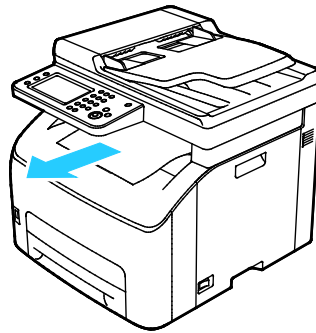
Follow these instructions when moving the printer:

1. Turn off the printer and disconnect the power cord and other cables from the back of the printer.



 **WARNING:** To prevent electric shock, never touch the power plug with wet hands. When removing the power cord, ensure that you pull the plug and not the cord. Pulling the cord can damage it, which can lead to fire or electric shock.

2. Remove any paper or other media from the output tray. If the output tray extension is extended, close it.



3. Remove the paper from the paper tray.
Keep the paper wrapped and away from humidity and dirt.
4. Lift and carry the printer as shown in the illustration.

Note: To find the weight for your printer configuration, see [Physical Specifications](#) on page 199.



CAUTION: Failure to repackage the printer properly for shipment can result in damage not covered by the Xerox® Warranty, Service Agreement, or Total Satisfaction Guarantee. The Xerox® Warranty, Service Agreement, or Total Satisfaction Guarantee do not cover damage to the printer caused by improper moving.

When moving the printer, do not tilt it more than 10 degrees to the front, back, left, or right. Tilting the printer more than 10 degrees can cause toner spillage.

After moving the printer:

1. Reinstall any parts you removed.
2. Reconnect the printer to the cables and power cord.
3. Plug in and turn on the printer.

Troubleshooting

10

This chapter includes:

- [General Troubleshooting](#) 176
- [Paper Jams](#)..... 179
- [Getting Help](#) 195

General Troubleshooting


This section includes:

- [Printer Does Not Turn On](#) 176
- [Printer Resets or Turns Off Frequently](#) 176
- [The Printer Does Not Print](#) 177
- [Printing Takes Too Long](#)..... 178
- [Printer is Making Unusual Noises](#)..... 178
- [Condensation has Formed Inside the Printer](#) 178

This section contains procedures to help you locate and resolve problems. Resolve some problems by simply restarting the printer.

Printer Does Not Turn On

Probable Causes	Solutions
The power switch is not turned on.	Turn on the switch.
The power cord is not correctly plugged into the outlet.	Turn off the printer power switch, and plug the power cord securely into the outlet.
Something is wrong with the outlet connected to the printer.	<ul style="list-style-type: none"> • Plug another electrical appliance into the outlet and see if it operates properly. • Try a different outlet.
The printer is connected to an outlet with a voltage or frequency that does not match the printer specifications.	Use a power source with the specifications listed in the Electrical Specifications on page 201.

 **CAUTION:** Plug the three-wire cord with grounding prong directly into a grounded AC outlet.

Printer Resets or Turns Off Frequently

Probable Causes	Solutions
The power cord is not plugged into the outlet correctly.	Turn off the printer, confirm that the power cord is plugged in correctly to the printer and the outlet, then turn on the printer.
A system error occurred.	Turn off the printer, then turn it on again. If the error persists, contact your Xerox representative.
The printer is connected to an uninterruptible power supply.	Turn off the printer, then connect the power cord to a suitable outlet.
The printer is connected to a power strip shared with other high-power devices.	Plug the printer directly into the outlet or into a power strip that is not shared with other high-power devices.

The Printer Does Not Print

Probable Causes	Solutions
The printer is in Power Saver mode.	Push the control panel button.
PrintingScout displays an error message.	Follow the instructions in the PrintingScout message to correct the problem. If the error persists, contact your Xerox representative.
The printer is out of paper.	Load paper into the tray.
A toner cartridge is empty.	Replace the empty toner cartridge.
The Error Indicator is blinking.	If the Ready Indicator is off, the printer has stopped working. Turn off the printer, then turn it on again. If the error persists, contact your Xerox representative.
Both control panel indicators are off.	Turn off the printer, confirm that the power cord is plugged in correctly to the printer and the outlet, then turn on the printer. If the error persists, contact your Xerox representative.
The printer is busy.	<ul style="list-style-type: none"> If the Ready Indicator is flashing, it is normal. A previous print job could be the problem. Use PrintingScout to delete all print jobs in the print queue. Load the paper in the tray. If the Ready Indicator is not flashing after you send a print job, check the USB connection between the printer and the computer. Turn off the printer, then turn it on again.
The printer cable is disconnected.	If the Ready Indicator is not flashing after you send a print job, check the USB or Ethernet connection between the printer and the computer.
The wireless connection has been disrupted.	<p>To check the status of your wireless connection, print the Configuration Page and check the status for Link Quality.</p> <ul style="list-style-type: none"> If Link Quality lists as No Reception, check your router and modem to ensure that they are transmitting a signal. If Link Quality lists as Good, Acceptable, or Weak, enter the IP address of the printer in a browser window. If you can access CentreWare Internet Services for your printer, but the printer still does not print, reinstall the print driver.

Printing Takes Too Long

Probable Causes	Solutions
The printer is set to a slower printing mode, for example, for printing on glossy or heavyweight paper.	It takes more time to print on certain types of special paper. Ensure that the paper type is set properly in the driver and at the printer control panel.
The printer is in Power Saver mode.	Wait for the printer to come out of Power Saver mode. It takes time for printing to start when the printer is coming out of Power Saver mode. If the page does not print at the rated speed of the printer, there could be a network or printer installation issue.
The way the printer was installed on the network could be an issue.	Determine if a print spooler or a computer sharing the printer is buffering all print jobs and then spooling them to the printer. Spooling can slow print speeds. To test the speed of the printer, print some information pages such as the Office Demo Page.
The job is complex.	Wait. No action needed.

Printer is Making Unusual Noises

Probable Causes	Solutions
There is an obstruction or debris inside the printer.	Turn off the printer and remove the obstruction or debris. If you cannot remove it, contact your Xerox representative.

Condensation has Formed Inside the Printer

Moisture can condense inside a printer where the humidity is above 85 % or when a cold printer is located in a warm room. Condensation can form in a printer after it has been sitting in a cold room that is heated quickly.

Probable Causes	Solutions
The printer has been sitting in a cold room.	Allow the printer to operate for several hours at room temperature.
The relative humidity of the room is too high.	<ul style="list-style-type: none"> • Reduce the humidity in the room. • Move the printer to a location where the temperature and relative humidity are within the operating specifications.

Paper Jams

This section includes:

- [Minimizing Paper Jams](#)..... 179
- [Locating Paper Jams](#)..... 180
- [Clearing Paper Jams](#) 181
- [Troubleshooting Paper Jams](#)..... 188
- [Print-Quality Problems](#) 190

Minimizing Paper Jams

The printer is designed to function with minimal paper jams using Xerox supported paper. Other paper types can cause jams. If supported paper is jamming frequently in one area, clean that area of the paper path.

The following can cause paper jams:

- Selecting the incorrect paper type in the print driver.
- Using damaged paper.
- Using unsupported paper.
- Loading paper incorrectly.
- Overfilling the tray.
- Adjusting the paper guides improperly.

Most jams can be prevented by following a simple set of rules:

- Use only supported paper. For details, see [Supported Paper](#) on page 84.
- Follow proper paper handling and loading techniques.
- Always use clean, undamaged paper.
- Avoid paper that is curled, torn, moist, creased, or folded.
- To separate the sheets before loading into the tray, fan the paper.
- Observe the paper tray fill line; never overfill the tray.
- Adjust the paper guides in all trays after inserting the paper. A guide that is not properly adjusted can cause poor print quality, misfeeds, skewed prints, and printer damage.
- After loading the tray, at the control panel, select the correct paper type and size.
- When printing, select the correct type and size in the print driver.
- Store paper in a dry location.

Avoid the following:

- Polyester coated paper that is designed specially for inkjet printers.
- Paper that is folded, wrinkled, or excessively curled.
- Loading more than one type, size, or weight of paper in a tray at the same time.
- Overfilling the tray.
- Allowing the output tray to overflow.

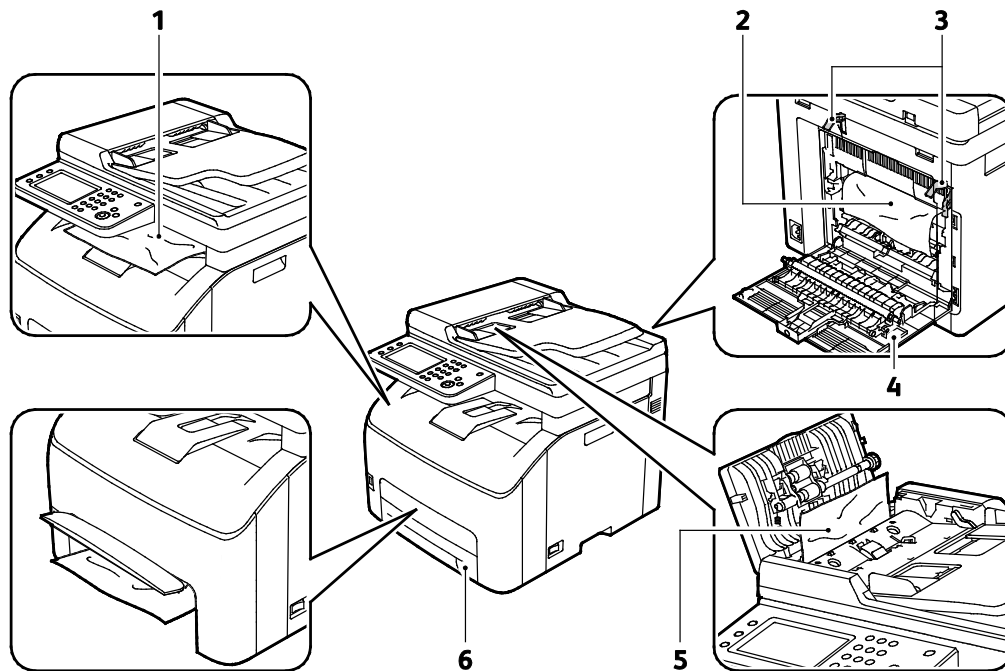
For a detailed list of supported paper, go to www.xerox.com/rmlna.

Locating Paper Jams

⚠ WARNING: Never touch a labeled area on or near the heat roller in the fuser. You can get burned. If a sheet of paper is wrapped around the heat roller, do not try to remove it immediately. Switch off the printer immediately and wait 40 minutes for the fuser to cool. Try to remove the jam after the printer has cooled. If the error persists, contact your Xerox representative.

⚠ CAUTION: Do not attempt to clear any paper jams using tools or instruments. This can permanently damage the printer.

The following illustration shows where paper jams can occur along the paper path:



1. Output Tray
2. Transfer Belt
3. Fuser Roller Release Levers
4. Rear Door
5. Automatic Document Feeder Cover
6. Main Paper Tray with Jam Access Cover

Clearing Paper Jams

This section includes:

- [Clearing Paper Jams From the Output Tray](#) 181
- [Clearing Paper Jams From the Back of the Printer](#) 183
- [Clearing Paper Jams From the Front of the Printer](#) 185
- [Clearing Paper Jams from the Automatic Document Feeder](#) 185

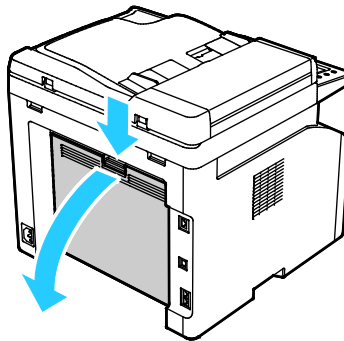
To facilitate clearing paper jams, you can activate Jam Recovery Mode. Jam Recovery Mode runs the printer for a brief period of time to move the paper further into the exit tray.

To run Jam Recovery Mode:

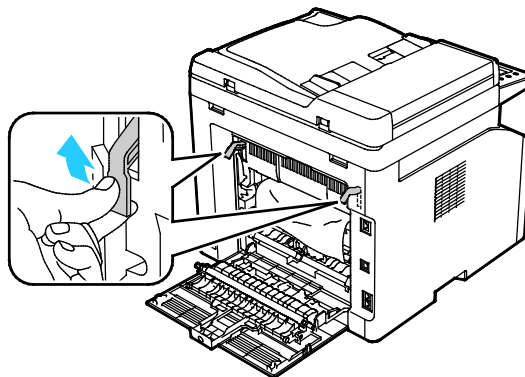
1. Press and hold the **Clear All** button for three seconds.
2. After the printer engine stops running, turn the power off, then remove the jammed paper.

Clearing Paper Jams From the Output Tray

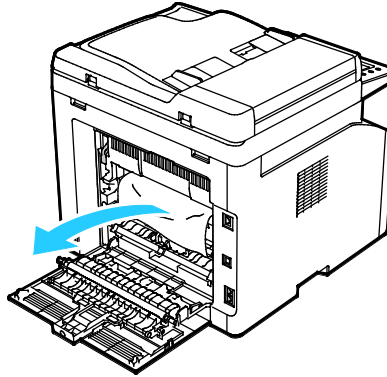
1. Push down on the rear cover release and pull the cover open.



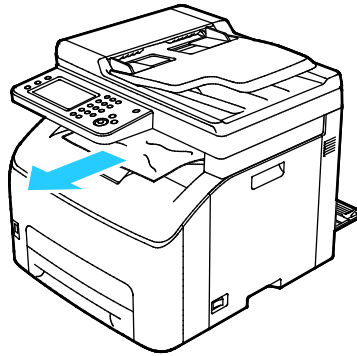
2. Lift the levers as shown.



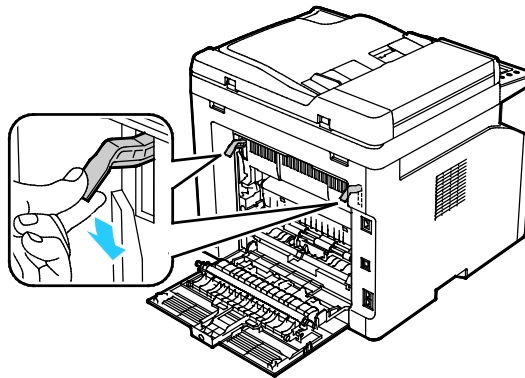
3. To remove any jammed paper from the back of the printer, carefully pull it in the direction shown.



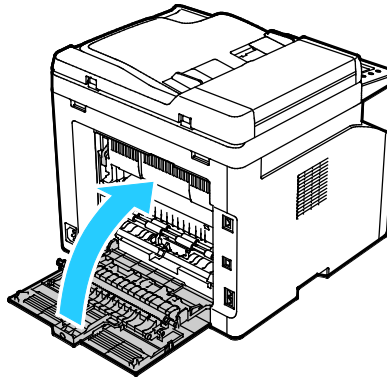
4. If you cannot find the jammed paper in the paper path, remove any jammed paper from the output tray.



5. Lower the levers to their original position.



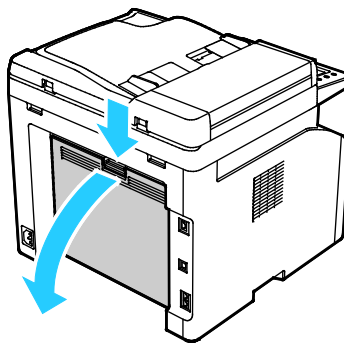
6. Close the rear cover.



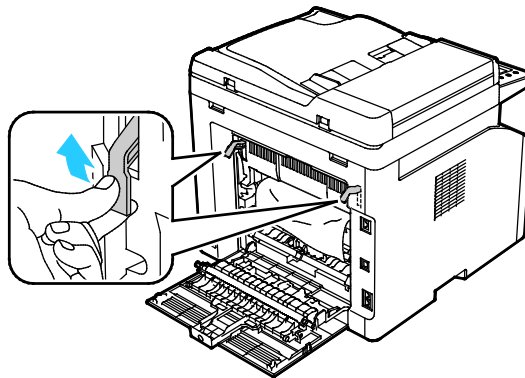
7. To resolve the error displayed on the control panel you must clear all paper from the paper path.

Clearing Paper Jams From the Back of the Printer

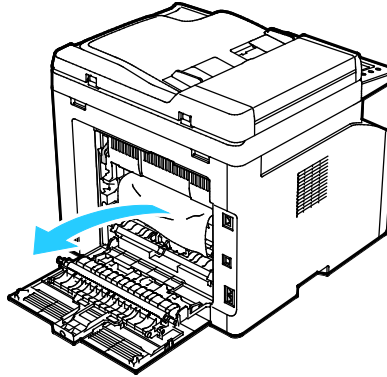
1. Push down on the rear cover release and pull the cover open.



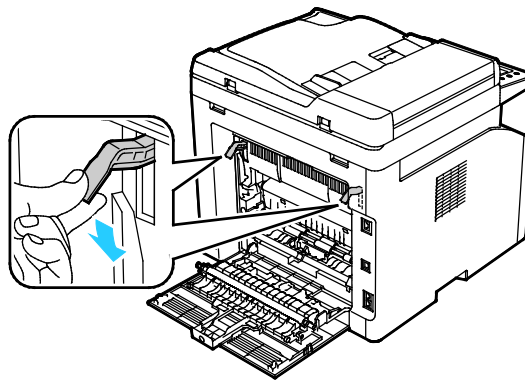
2. Lift the levers as shown.



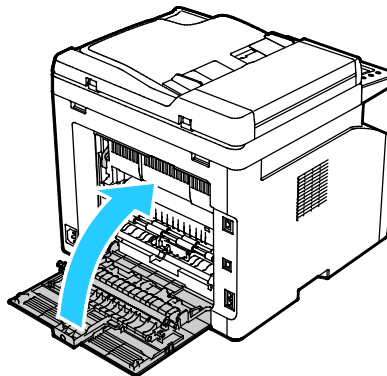
3. Remove any jammed paper from the back of the printer.



4. Lower the levers to their original position.



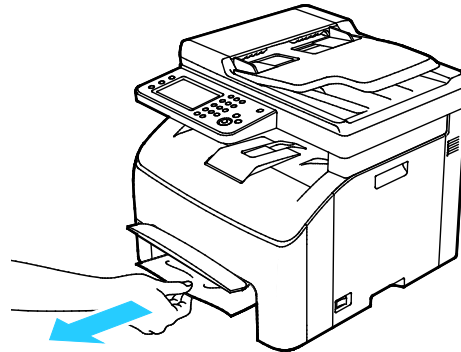
5. Close the rear cover.



6. To resolve the error displayed on the control panel you must clear all paper from the paper path.

Clearing Paper Jams From the Front of the Printer

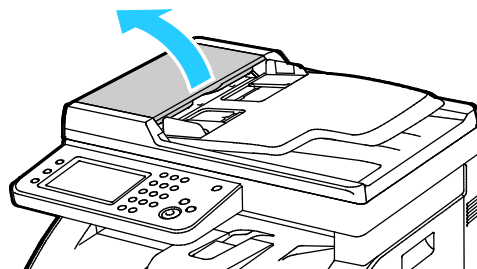
1. Remove the tray from the printer.
2. Remove any paper jammed at the front of the printer. For improved access to the jammed paper, flip open the Jam Access Cover.



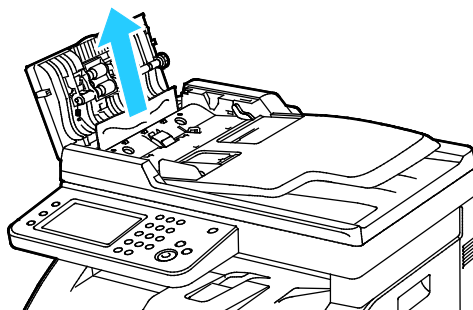
3. Insert the paper tray, then release the Jam Access Cover.
4. To resolve the error displayed on the control panel you must clear all paper from the paper path.

Clearing Paper Jams from the Automatic Document Feeder

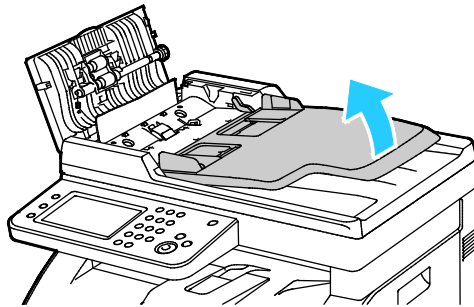
1. Remove the remaining documents from the automatic document feeder.
2. Open the automatic document feeder cover.



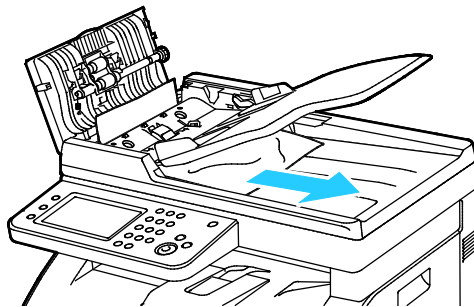
3. To remove the jammed document, gently pull it in the direction shown.



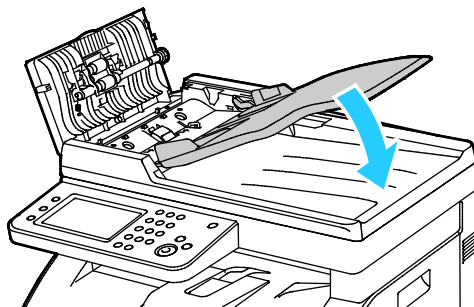
4. If the document is difficult to remove, raise the automatic document feeder tray.



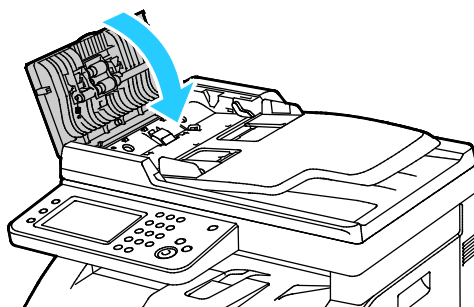
5. Remove the jammed document from the output tray.



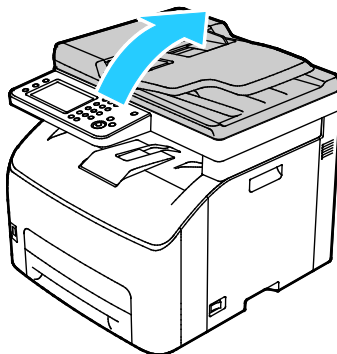
6. Lower the automatic document feeder tray.



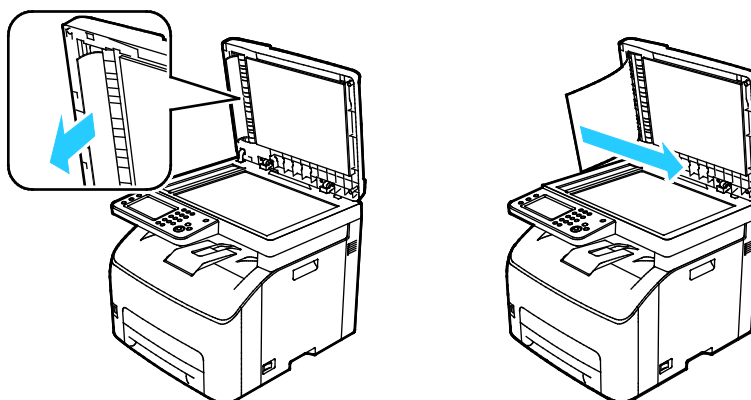
7. Close the automatic document feeder cover, then reload documents as needed.



- If you are unable to remove the jammed document from the document output tray, or cannot find a jammed document there, open the document cover.



- To remove the document from the feed roller, carefully pull it as shown.



- To resolve the error displayed on the control panel you must clear all paper from the paper path.

Troubleshooting Paper Jams

This section includes:

- [Multiple Sheets Pulled Together](#)..... 188
- [Paper Misfeeds](#)..... 188
- [Label and Envelope Misfeeds](#) 189
- [Paper Jam Message Stays On](#)..... 189

Multiple Sheets Pulled Together

Probable Causes	Solutions
The paper tray is too full.	Remove some of the paper. Do not load paper past the fill line.
The edges of the paper are not even.	Remove the paper, align the edges, and then reload it.
The paper is moist from humidity.	Remove the paper from the tray, then replace it with new dry paper.
Too much static electricity is present.	Try a new ream of paper.
Unsupported paper is in the tray.	Use only Xerox approved paper. For details, see Supported Paper on page 84.
Humidity is too high for coated paper.	Feed paper one sheet at a time.

Paper Misfeeds

Probable Causes	Solutions
The paper is not correctly positioned in the tray.	<ul style="list-style-type: none"> • Remove the misfed paper and reposition it properly in the tray. • Adjust the paper guides in the tray to match the size of the paper.
The paper tray is too full.	Remove some of the paper. Do not load paper past the fill line.
The paper guides are not correctly adjusted to the paper size.	Adjust the paper guides in the tray to match the size of the paper.
The tray contains warped or wrinkled paper.	Remove the paper, smooth it out, and reload it. If it still misfeeds, do not use that paper.
The paper is moist from humidity.	Remove the moist paper and replace it with new, dry paper.
Using paper of the wrong size, thickness, or type.	Use only Xerox approved paper. For details, see Supported Paper on page 84.

Label and Envelope Misfeeds

Probable Causes	Solutions
The label sheet is facing the wrong way in the tray.	<ul style="list-style-type: none"> Load label sheets according to the instructions from the manufacturer. Load labels face up in either tray.
Envelopes are loaded incorrectly.	<ul style="list-style-type: none"> Load No. 10, DL, and Monarch envelopes in the trays with the print side up, flaps closed, flap-side down, and the short edge leading into the printer. Load C5 envelopes with the print side up, flaps open and facing away from the printer.
No. 10, DL, and Monarch envelopes are wrinkling.	<p>To prevent wrinkling on No. 10, DL, C5, or Monarch envelopes, load them print side up, flaps open and facing away from the printer.</p> <p>Note: When you load envelopes long-edge feed, ensure that you specify landscape orientation in the print driver.</p>

Paper Jam Message Stays On

Probable Causes	Solutions
Some paper remains jammed in the printer.	Recheck the media path and make sure that you have removed all of the jammed paper.
One of the printer doors is open.	Check the doors on the printer. Close any door that is open.


Note: Check for, and remove, torn pieces of paper in the paper path.

Print-Quality Problems

This section includes:

- [Controlling Print Quality](#)..... 190
- [Solving Print-Quality Problems](#)..... 191

Your printer is designed to produce consistently high-quality prints. If you observe print-quality problems, use the information in this section to troubleshoot the problem. For more information, go to www.xerox.com/office/WC6027support.

 **CAUTION:** The Xerox Warranty, Service Agreement, or Xerox Total Satisfaction Guarantee does not cover damage caused by using unsupported paper or specialty media. The Xerox Total Satisfaction Guarantee is available in the United States and Canada. Coverage could vary outside these areas. Please contact your local representative for details.

Notes:

- To ensure consistent print quality, the toner cartridges and imaging units for many models of equipment are designed to cease functioning at a predetermined point.
- Grayscale images printed with the composite black setting increment the color pages counter, because color consumables are used. Composite black is the default setting on most printers.

Controlling Print Quality

Various factors can affect the quality of the output of your printer. For consistent and optimum print quality, use paper designed for your printer, and correctly set the Print-Quality Mode and Color Adjustments. Follow the guidelines in this section to maintain optimum print quality from your printer.

Temperature and humidity affect the quality of the printed output. The guaranteed range for optimal print quality is: 15–28°C (59–82°F) and 20–70 % relative humidity.

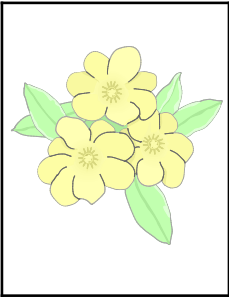
Solving Print-Quality Problems

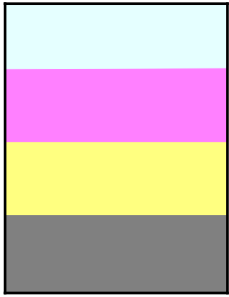
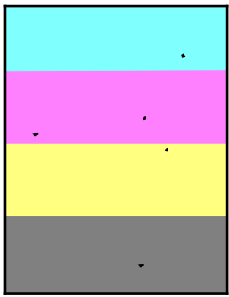
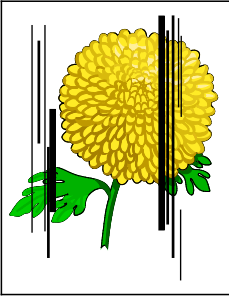
When the print quality is poor, select the closest symptom from the following table and see the corresponding solution to correct the problem. You can also print a Demo Page to more precisely determine the print-quality problem. For details, see [Information Pages](#) on page 26.

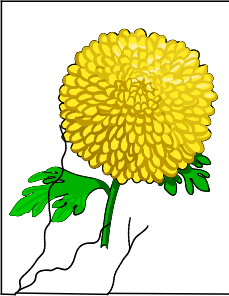
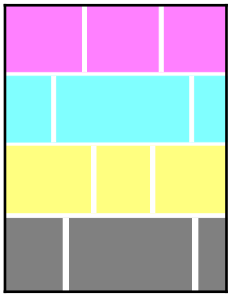
If the print quality does not improve after carrying out the appropriate action, contact your Xerox representative.

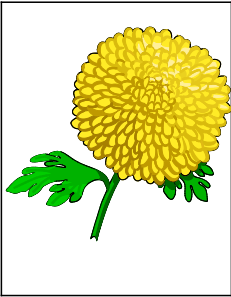

Notes:

- To enhance print quality, toner cartridges for many models of equipment have been designed to cease functioning at a predetermined point.
- Grayscale images printed with the composite black setting increment the color pages counter, because color consumables are used. Composite black is the default setting on most printers.

Symptom	Cause	Solution
Faded printouts with multiple colors faded 	The paper type is heavier or thicker than the paper type selection.	Adjust the paper type settings. For details, see Adjusting Paper Type on page 160.
	The paper being used is outside the recommended specification range.	Replace the paper with a recommended size and type, and confirm that your control panel and print driver settings are correct. For details, see Supported Paper on page 84.
	The toner cartridges are not Xerox [®] toner cartridges.	Replace the toner cartridges with genuine Xerox [®] toner cartridges. It can take several prints before full quality is restored.
	The bias transfer roller voltage is insufficient for the paper type.	Increase the bias transfer voltage for the selected paper type. For details, see Adjusting the Bias Transfer Roller on page 161.
	The fuser is not adjusted for the paper type.	Adjust the fuser. For details, see Adjusting the Fuser on page 161.
	The paper is damp.	Replace the paper.
	The high-voltage supply is defective.	For assistance, go to the Xerox [®] Support website at www.xerox.com/office/WC6027support .

Symptom	Cause	Solution
<p>Only one color is faded</p> 	Toner cartridge is empty or damaged.	Check the condition of the toner cartridge and replace it if necessary.
<p>Stray black dots, white areas, or dropouts</p> 	The paper is outside the recommended specification range.	Replace the paper with a recommended size and type, and confirm that your control panel and print driver settings are correct. For details, see Supported Paper on page 84.
	The toner cartridges are not Xerox® toner cartridges.	Replace the toner cartridges with genuine Xerox® toner cartridges. For details, see Consumables on page 168.
<ul style="list-style-type: none"> Vertical black or color streaks or multiple colored streaks or lines Streaks in one color only 	The toner cartridges are not Xerox® toner cartridges.	Replace the toner cartridges with genuine Xerox® toner cartridges. For details, see Consumables on page 168.
	There is a problem with the toner cartridge for that color.	Check the condition of the toner cartridge and replace it if necessary. For assistance, go to the Xerox® Support website at www.xerox.com/office/WC6027support .
Color around the edge of printing is incorrect	The color registration is incorrect.	Adjust the color registration. For details, see Color Registration on page 162.

Symptom	Cause	Solution
Partial blanks, creased paper, or blotted printing 	The paper is damp.	Replace the paper.
	The paper is outside the recommended specification range.	Replace the paper with a recommended size and type, and confirm that your control panel and print driver settings are correct. For details, see Supported Paper on page 84.
	The printer is worn or damaged.	For assistance, go to the Xerox® Support website at www.xerox.com/office/WC6027support .
	The toner cartridges are not Xerox® toner cartridges.	Replace the toner cartridges with genuine Xerox® toner cartridges. For details, see Consumables on page 168.
	The altitude setting is incorrect.	Adjust the altitude setting of the printer. For details, see Adjusting the Altitude on page 164.
	Condensation inside the printer causes partial blanks or creased paper.	Turn on the printer and leave it on for at least one hour remove the condensation. For assistance, go to the Xerox® Support website at www.xerox.com/office/WC6027support .
Vertical blanks 	The lenses are being blocked.	Clean the lenses inside of the printer. For details, see Cleaning the LED Lenses on page 155.
	The printer is worn or damaged.	For assistance, go to the Xerox® Support website at www.xerox.com/office/WC6027support .
	The toner cartridges are not Xerox® toner cartridges.	Replace the toner cartridges with genuine Xerox® toner cartridges. For details, see Consumables on page 168.

Symptom	Cause	Solution
<p>Slanted printing</p> 	<p>The paper guides are not correctly adjusted to the paper size.</p>	<p>Reset the paper tray guides. For details, see Loading Paper on page 87.</p>
<p>Colors are blurry or there is white area around objects</p>	<p>Color-to-color alignment is not correct.</p>	<p>Perform an automatic color registration adjustment. For details, see Color Registration on page 162.</p>
<p>Blotchy or mottled images</p> 	<p>The paper is too light or too thin.</p>	<p>Choose a different paper type at the control panel, in the application, and in the print driver.</p>
	<p>The bias transfer roller voltage is insufficient for the paper type.</p>	<p>Increase the bias transfer voltage for the selected paper type. For details, see Adjusting the Bias Transfer Roller on page 161.</p>
	<p>The fuser is not adjusted for the paper type.</p>	<p>Adjust the fuser. For details, see Adjusting the Fuser on page 161.</p>
	<p>The paper is damp.</p>	<p>Replace the paper.</p>
	<p>The relative humidity of the room is too high.</p>	<p>Reduce the humidity in the room or move the printer to a new location.</p>
<p>Paper curls or frequent jams in the rear cover</p>	<p>The bias transfer roller needs to be refreshed.</p>	<p>Refresh the bias transfer roller. For details, see Refreshing the Bias Transfer Roller on page 164.</p>

Getting Help

This section includes:

- [Error and Status Messages](#)..... 195
- [PrintingScout Alerts](#)..... 195
- [Online Support Assistant](#) 195

Your printer comes with utilities and resources to help you troubleshoot printing problems.

Error and Status Messages

The printer control panel provides information and troubleshooting help. When an error or warning condition occurs, the control panel informs you of the problem. Error messages warn you about printer conditions, such as low supplies or doors open, that require your attention.

PrintingScout Alerts

PrintingScout is a utility installed with your Xerox[®] print driver. It automatically checks the printer status when you send a print job. If the printer is unable to print, a PrintingScout alert appears on your computer screen to let you know that the printer needs attention. In the PrintingScout dialog box, click the alert to view instructions explaining how to fix the problem.

Note: PrintingScout is a Windows-only application.

Online Support Assistant

The Online Support Assistant is a knowledge base that provides instructions and troubleshooting help to solve your printer problems. You can find solutions for print-quality problems, paper jams, software installation issues, and more.

To access the Online Support Assistant, go to www.xerox.com/office/WC6027support.

Specifications



This appendix includes:

- Standard Features 198
- Physical Specifications..... 199
- Environmental Specifications 200
- Electrical Specifications..... 201
- Performance Specifications..... 202
- Controller Specifications 203

Standard Features

Functions	Copy, scan, print, and fax
Print speed	18 ppm
Copy speed	18 ppm
Print resolution	600 x 600 dpi from the print driver prints at 1200 x 2400 dpi enhanced
Paper capacity	100 sheets of standard paper in the output tray Input tray <ul style="list-style-type: none"> • 150 sheets of standard paper • One sheet of coated paper • Five envelopes
2-Sided Printing	Manual
Maximum copy size	216 x 297 mm (8.5 x 11.6 in.)
Maximum print size	Legal (216 x 356 mm, 8.5 x 14 in.)
Automatic Document Feeder	<ul style="list-style-type: none"> • 15 sheets (64 g/m²) • Single-Sided
Control panel	4.3 inch LCD touch screen and keypad navigation
Connectivity	<ul style="list-style-type: none"> • Universal Serial Bus (USB 2.0) • Ethernet 10/100 Base-T • Wireless network connectivity
Scan functions	<ul style="list-style-type: none"> • Scan to USB Memory • Scan to Computer • Scan to Email
Scan resolution	1200 x 1200 dpi
Remote access	CentreWare Internet Services

Physical Specifications

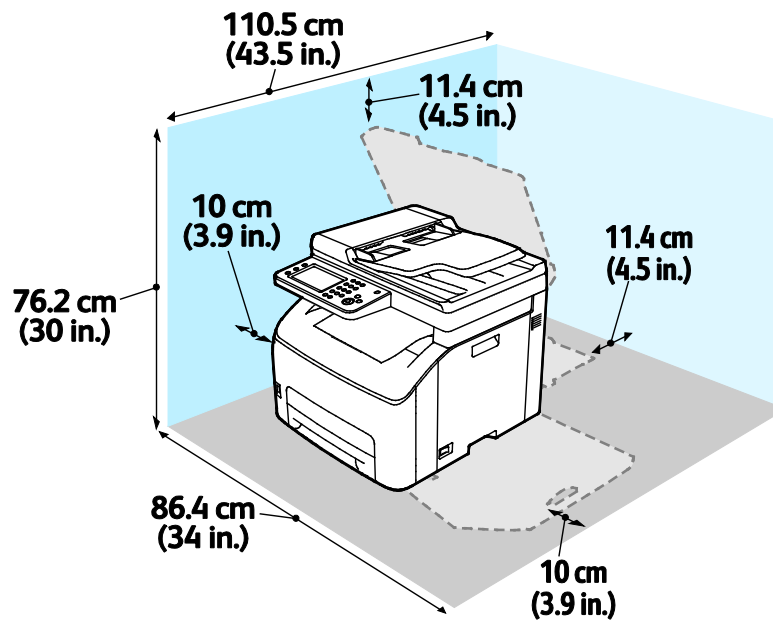
Dimensions and Weight

Width	410 mm (16.1 in.)
Depth	439 mm (17.3 in.)
Height	388 mm (15.3 in.)
Weight	16.6 kg (36 lb.)

Total Space Requirements

Width	864 mm (34 in.)
Depth	1105 mm (43.5 in.)
Height	762 mm (30 in.)

Clearance Requirements



Environmental Specifications

Temperature

- Operating temperature: 10–32°C (50–90°F)
- Optimum temperature: 15–28°C (59–82°F)

Relative Humidity

- Minimum–Maximum Humidity Range: 15–85 % relative humidity at 28°C (82°F)
- Optimal Humidity Range: 20–70 % relative humidity at 28°C (82°F)

Note: Under extreme environmental conditions, such as 10°C and 85 % relative humidity, defects can occur due to condensation.

Elevation

For optimum performance, use the printer at elevations below 3100 m (10,170 ft.).

Electrical Specifications

Power Supply Voltage and Frequency

Power Supply Voltage	Power Supply Frequency
110–127 VAC +/-10%, (99–140 VAC)	50 Hz +/- 3 Hz 60 Hz +/- 3 Hz
220–240 VAC +/-10%, (198–264 VAC)	50 Hz +/- 3 Hz 60 Hz +/- 3 Hz

Power Consumption

Printer Mode	Power Consumption
Power Saver Mode 1 (Low Power)	7 W or less
Power Saver Mode 2 (Sleep)	3 W or less
Ready/Standby	69 W or less
Continuous printing	810 W or less

This printer does not consume electric power when the power switch is turned off even if the printer is connected to an AC outlet.

ENERGY STAR Qualified Product

This product is ENERGY STAR[®] qualified under the ENERGY STAR Program Requirements for Imaging Equipment.

The ENERGY STAR and ENERGY STAR mark are registered United States trademarks.



The ENERGY STAR Imaging Equipment Program is a team effort between United States, European Union, and Japanese governments and the office equipment industry to promote energy-efficient copiers, printers, fax, multifunction printers, personal computers, and monitors. Reducing product energy consumption helps combat smog, acid rain, and long-term changes to the climate by decreasing the emissions that result from generating electricity.

ENERGY STAR settings are preset on Xerox[®] equipment at the factory to switch to Power Saver modes after 2 minutes from the last copy or print.

Performance Specifications

Printer warm up time

- Power on: 35 seconds or less
- Recovery from sleep mode: 28 seconds or less.

Note: Warm up time assumes an ambient temperature of 22°C (72°F) at 60 % relative humidity.

Controller Specifications

Processor

525 MHz ARM11MP

Memory

512 MB RAM

Interfaces

Universal Serial Bus (USB 2.0)

Ethernet 10/100 Base-T

IEEE802.11.b/g/n wireless connectivity

Regulatory Information

B

This appendix includes:

- [Basic Regulations](#) 206
- [Copy Regulations](#) 211
- [Fax Regulations](#) 214
- [Material Safety Data Sheets](#).....219

Basic Regulations

Xerox has tested this printer to electromagnetic emission and immunity standards. These standards are designed to mitigate interference caused or received by this printer in a typical office environment.

United States FCC Regulations

This equipment has been tested and found to comply with the limits for a Class A digital device, pursuant to Part 15 of the FCC Rules. These limits are designed to provide reasonable protection against harmful interference when the equipment is operated in a commercial environment. This equipment generates, uses, and can radiate radio frequency energy. If it is not installed and used in accordance with these instructions, it may cause harmful interference to radio communications. Operation of this equipment in a residential area is likely to cause harmful interference in which case the user will be required to correct the interference at his/her own expense.

If this equipment does cause harmful interference to radio or television reception, which can be determined by turning the equipment off and on, the user is encouraged to try to correct the interference by one or more of the following measures:

- Reorient or relocate the receiving antenna.
- Increase the separation between the equipment and receiver.
- Connect the equipment into an outlet on a circuit different from that to which the receiver is connected.
- Consult the dealer or an experienced radio/TV technician for help.

Changes or modifications to this equipment not approved by Xerox can void the authority of the user to operate this equipment.

Note: To ensure compliance with Part 15 of the FCC rules, use shielded interface cables.

Canada

This Class A digital apparatus complies with Canadian ICES-003.

Cet appareil numérique de la classe A est conforme à la norme NMB-003 du Canada.

European Union



The CE mark applied to this product symbolizes a declaration of conformity by Xerox with the following applicable Directives of the European Union as of the dates indicated:

- December 12, 2006: Low Voltage Directive 2006/95/EC
- December 15, 2004: Electromagnetic Compatibility Directive 2004/108/EC
- March 9, 1999: Radio & Telecommunications Terminal Equipment Directive 1999/5/EC

This printer, if used properly in accordance with the instructions, is not dangerous for the consumer or for the environment.

To ensure compliance with European Union regulations, use shielded interface cables.

A signed copy of the Declaration of Conformity for this printer can be obtained from Xerox.

European Union Lot 4 Imaging Equipment Agreement Environmental Information

Environmental Information Providing Environmental Solutions and Reducing Cost

The following information has been developed to assist users and has been issued in relation to the European Union (EU) Energy Related Products Directive, specifically the Lot 4 study on Imaging Equipment. This requires manufacturers to improve environmental performance of in scope products and supports the EU action plan on energy efficiency.

In scope products are Household and Office equipment that meet the following criteria.

- Standard monochrome format products with a maximum speed less than 66 A4 images per minute
- Standard color format products with a maximum speed less than 51 A4 images per minute

Introduction

The following information has been developed to assist users and has been issued in relation to the European Union (EU) Energy Related Products Directive, specifically the Lot 4 study on Imaging Equipment. This requires manufacturers to improve environmental performance of in scope products and supports the EU action plan on energy efficiency.

In scope products are Household and Office equipment that meet the following criteria.

- Standard monochrome format products with a maximum speed less than 66 A4 images per minute
- Standard color format products with a maximum speed less than 51 A4 images per minute

Environmental Benefits of Duplex Printing

Most Xerox products have duplex printing, also known as 2-sided printing, capability. This enables you to print on both sides of the paper automatically, and therefore helps to reduce the use of valuable resources by reducing your paper consumption. The Lot 4 Imaging Equipment agreement requires that on models greater than or equal to 40 ppm color or greater than or equal to 45 ppm monochrome the duplex function has been auto enabled, during the setup and driver installation. Some Xerox models below these speed bands may also be enabled with 2-sided printing settings defaulted on at the time of install. Continuing to use the duplex function will reduce the environmental impact of your work. However, should you require simplex/1-sided printing, you may change the print settings in the print driver.

Paper Types

This product can be used to print on both recycled and virgin paper, approved to an environmental stewardship scheme, which complies with EN12281 or a similar quality standard. Lighter weight paper (60 g/m²), which contains less raw material and thus save resources per print, may be used in certain applications. We encourage you to check if this is suitable for your printing needs.

ENERGY STAR

The ENERGY STAR program is a voluntary scheme to promote the development and purchase of energy efficient models, which help to reduce environmental impact. Details on the ENERGY STAR program and models qualified to ENERGY STAR can be found at the following website:

www.energystar.gov/index.cfm?fuseaction=find_a_product.showProductGroup&pgw_code=IEQ

For additional information on energy or other related topics, please see

www.xerox.com/about-xerox/environment/enus.html or
www.xerox.co.uk/about-xerox/environment/engb.html.

Power Consumption and Activation Time

The amount of electricity that a product consumes depends on the way the device is used. This product is designed and configured to enable you to reduce your electricity usage.

After the last print, the device switches to Ready mode. In this mode, the device can print again immediately. If the product is not used for a period of time, the device switches to a Power Saver mode. In these modes, to enable reduced product power consumption, only essential functions remain active. The product takes slightly longer to produce the first print after it exits Power Saver mode than it takes in Ready mode. This delay is the result of the system waking up from Power Saver mode and is typical of most imaging products on the market.

You can set a longer activation time or completely deactivate the Power Saver mode. This device can take longer to switch to a lower energy level.

Note: Changing the default Power Saver activation times can result in an overall higher energy consumption of the product.

To learn more about Xerox participation in sustainability initiatives, go to:

www.xerox.com/about-xerox/environment/enus.html.

Environmental Choice Certified to Office Machines CCD-035



This product is certified to Environmental Choice standard for office machines, meeting all requirements for reduced environmental impact. As part of achieving certification, Xerox Corporation has proven this product meets the Environmental Choice criteria for energy efficiency. Certified copier, printer, multifunctional device, and fax products must also meet criteria such as reduced chemical emissions and demonstrate compatibility with recycled supplies. Environmental Choice was established in 1988 to help consumers find products and services with reduced environmental impacts. Environmental Choice is a voluntary, multi-attribute, and lifecycle-based environmental certification. This certification indicates that a product has undergone rigorous scientific testing, exhaustive auditing, or both, to prove its compliance with stringent, third-party, environmental performance standards.

Germany

Blendschutz

Das Gerät ist nicht für die Benutzung im unmittelbaren Gesichtsfeld am Bildschirmarbeitsplatz vorgesehen. Um störende Reflexionen am Bildschirmarbeitsplatz zu vermeiden, darf dieses Produkt nicht im unmittelbaren Gesichtsfeld platziert werden.

Lärmemission

Maschinenlärminformations-Verordnung 3. GPSGV: Der höchste Schalldruckpegel beträgt 70 dB(A) oder weniger gemäß EN ISO 7779.

Importeur

Xerox GmbH

Hellersbergstraße 2-4

41460 Neuss

Deutschland

Turkey RoHS Regulation

In compliance with Article 7 (d), we hereby certify “it is in compliance with the EEE regulation.”

“EEE yönetmeliğine uygundur.”

Regulatory Information for 2.4 GHz Wireless Network Adapter

This product contains a 2.4 GHz Wireless LAN radio transmitter module which complies with the requirements specified in FCC Part 15, Industry Canada RSS-210 and European Council Directive 99/5/EC.

Operation of this device is subject to the following two conditions: (1) this device may not cause harmful interference, and (2) this device must accept any interference received, including interference that may cause undesired operation.

Changes or modifications to this device not specifically approved by the Xerox Corporation may void the user's authority to operate this equipment.

Copy Regulations

United States

Congress, by statute, has forbidden the reproduction of the following subjects under certain circumstances. Penalties of fine or imprisonment may be imposed on those guilty of making such reproductions.

1. Obligations or Securities of the United States Government, such as:
 - Certificates of Indebtedness.
 - National Bank Currency.
 - Coupons from Bonds.
 - Federal Reserve Bank Notes.
 - Silver Certificates.
 - Gold Certificates.
 - United States Bonds.
 - Treasury Notes.
 - Federal Reserve Notes.
 - Fractional Notes.
 - Certificates of Deposit.
 - Paper Money.
 - Bonds and Obligations of certain agencies of the government, such as FHA and so on.
 - Bonds. United States Savings Bonds may be photographed only for publicity purposes in connection with the campaign for the sale of such bonds.
 - Internal Revenue Stamps. If it is necessary to reproduce a legal document on which there is a canceled revenue stamp, this may be done provided the reproduction of the document is performed for lawful purposes.
 - Postage Stamps, canceled or uncanceled. For philatelic purposes, Postage Stamps may be photographed, provided the reproduction is in black and white and is less than 75 % or more than 150 % of the linear dimensions of the original.
 - Postal Money Orders.
 - Bills, Checks, or Drafts of money drawn by or upon authorized officers of the United States.
 - Stamps and other representatives of value, of whatever denomination, which have been or may be issued under any Act of Congress.
 - Adjusted Compensation Certificates for Veterans of the World Wars.
2. Obligations or Securities of any Foreign Government, Bank, or Corporation.
3. Copyrighted materials, unless permission of the copyright owner has been obtained or the reproduction falls within the “fair use” or library reproduction rights provisions of the copyright law. Further information of these provisions may be obtained from the Copyright Office, Library of Congress, Washington, D.C. 20559. Ask for Circular R21.

4. Certificate of Citizenship or Naturalization. Foreign Naturalization Certificates may be photographed.
5. Passports. Foreign Passports may be photographed.
6. Immigration papers.
7. Draft Registration Cards.
8. Selective Service Induction papers that bear any of the following Registrant's information:
 - Earnings or Income.
 - Court Record.
 - Physical or mental condition.
 - Dependency Status.
 - Previous military service.
 - Exception: United States military discharge certificates may be photographed.
9. Badges, Identification Cards, Passes, or Insignia carried by military personnel, or by members of the various Federal Departments, such as FBI, Treasure, and so on (unless photograph is ordered by the head of such department or bureau).

Reproducing the following is also prohibited in certain states:

- Automobile Licenses.
- Drivers' Licenses.
- Automobile Certificates of Title.

The preceding list is not all inclusive, and no liability is assumed for its completeness or accuracy. In case of doubt, consult your attorney.

For more information about these provisions contact the Copyright Office, Library of Congress, Washington, D.C. 20559. Ask for Circular R21.

Canada

Parliament, by stature, has forbidden the reproduction of the following subjects under certain circumstances. Penalties of fine or imprisonment may be imposed on those guilty of making such reproductions.

- Current bank notes or current paper money
- Obligations or securities of a government or bank
- Exchequer bill paper or revenue paper
- The public seal of Canada or of a province, or the seal of a public body or authority in Canada, or of a court of law
- Proclamations, orders, regulations, or appointments, or notices thereof (with intent to falsely cause same to purport to have been printed by the Queens Printer for Canada, or the equivalent printer for a province)
- Marks, brands, seals, wrappers, or designs used by or on behalf of the Government of Canada or of a province, the government of a state other than Canada or a department, board, Commission, or agency established by the Government of Canada or of a province or of a government of a state other than Canada

- Impressed or adhesive stamps used for the purpose of revenue by the Government of Canada or of a province or by the government of a state other than Canada
- Documents, registers, or records kept by public officials charged with the duty of making or issuing certified copies thereof, where the copy falsely purports to be a certified copy thereof
- Copyrighted material or trademarks of any manner or kind without the consent of the copyright or trademark owner

This list is provided for your convenience and assistance, but it is not all-inclusive, and no liability is assumed for its completeness or accuracy. In case of doubt, consult your solicitor.

Other Countries

Copying certain documents may be illegal in your country. Penalties of fine or imprisonment may be imposed on those found guilty of making such reproductions.

- Currency notes
- Bank notes and checks
- Bank and government bonds and securities
- Passports and identification cards
- Copyright material or trademarks without the consent of the owner
- Postage stamps and other negotiable instruments

This list is not inclusive and no liability is assumed for either its completeness or accuracy. In case of doubt, contact your legal counsel.

Fax Regulations

United States

Fax Send Header Requirements

The Telephone Consumer Protection Act of 1991 makes it unlawful for any person to use a computer or other electronic device, including a fax machine, to send any message unless such message clearly contains in a margin at the top or bottom of each transmitted page or on the first page of the transmission, the date and time it is sent and an identification of the business or other entity, or other individual sending the message and the telephone number of the sending machine or such business, other entity, or individual. The telephone number provided may not be a 900 number or any other number for which charges exceed local or long-distance transmission charges.

Data Coupler Information

This equipment complies with Part 68 of the FCC rules and the requirements adopted by the Administrative Council for Terminal Attachments (ACTA). On the cover of this equipment is a label that contains, among other information, a product identifier in the format US:AAAEQ##TXXXX. If requested, this number must be provided to the Telephone Company.

A plug and jack used to connect this equipment to the premises wiring and telephone network must comply with the applicable FCC Part 68 rules and requirements adopted by the ACTA. A compliant telephone cord and modular plug is provided with this product. It connects to a compatible modular jack that is also compliant. See installation instructions for details.

You can safely connect the printer to the following standard modular jack: USOC RJ-11C using the compliant telephone line cord (with modular plugs) provided with the installation kit. See installation instructions for details.

The Ringer Equivalence Number (REN) is used to determine the number of devices that can be connected to a telephone line. Excessive RENs on a telephone line could result in the devices not ringing in response to an incoming call. In most but not all areas, the sum of RENs should not exceed five (5.0). To be certain of the number of devices that can be connected to a line, as determined by the RENs, contact the local Telephone Company. For products approved after July 23, 2001, the REN is part of the product identifier that has the format US:AAAEQ##TXXXX. The digits represented by ## are the REN without a decimal point (for example, 03 is a REN of 0.3). For earlier products, the REN is separately shown on the label.

To order the correct service from the local Telephone Company, you could also have to quote the codes in the following list:

- Facility Interface Code (FIC) = 02LS2
- Service Order Code (SOC) = 9.0Y



CAUTION: Ask your local Telephone Company for the modular jack type installed on your line. Connecting this machine to an unauthorized jack can damage telephone company equipment. You, not Xerox, assume all responsibility and/or liability for any damage caused by the connection of this machine to an unauthorized jack.

If this Xerox[®] equipment causes harm to the telephone network, the Telephone Company could temporarily discontinue service to the telephone line to which it is connected. If advance notice is not practical, the Telephone Company notifies you of the disconnection as soon as possible. If the Telephone Company interrupts your service, they can advise you of your right to file a complaint with the FCC if you believe that it is necessary.

The Telephone Company could change its facilities, equipment, operations, or procedures which could affect the operation of the equipment. If the Telephone Company changes something that affects the operation of the equipment, they should notify you in order for you to make necessary modifications to maintain uninterrupted service.

If you experience trouble with this Xerox[®] equipment, please contact the appropriate service center for repair or warranty information. Contact information is contained in the Machine Status menu on the printer and in the back of the Troubleshooting section of the *User Guide*. If the equipment is causing harm to the telephone network, the Telephone Company may request you to disconnect the equipment until the problem is resolved.

Only a Xerox Service Representative or an authorized Xerox Service provider are authorized to make repairs to the printer. This applies at any time during or after the service warranty period. If unauthorized repair is performed, the remainder of the warranty period is null and void.

This equipment must not be used on party lines. Connection to party line service is subject to state tariffs. Contact the state public utility commission, public service commission, or corporation commission for information.

Your office could have specially wired alarm equipment connected to the telephone line. Make sure that the installation of this Xerox[®] equipment does not disable your alarm equipment.

If you have questions about what could disable alarm equipment, consult your Telephone Company or a qualified installer.

Canada

This product meets the applicable Industry Canada technical specifications.

A representative designated by the supplier should coordinate repairs to certified equipment. Repairs or alterations made by the user to this device, or device malfunctions, could cause the telecommunications company to request you to disconnect the equipment.

For user protection, make sure that the printer is properly grounded. The electrical ground connections of the power utility, telephone lines, and internal metallic water pipe systems, if present, must be connected together. This precaution could be vital in rural areas.



WARNING: Do not attempt to make such connections yourself. Contact the appropriate electric inspection authority, or electrician, to make the ground connection.

The REN assigned to each terminal device provides an indication of the maximum number of terminals allowed to be connected to a telephone interface. The termination on an interface could consist of any combination of devices. The only limitation to the number of devices is the requirement that the sum of the RENs of the devices does not exceed 5. For the Canadian REN value, please see the label on the equipment.

Canada CS-03 Issue 9

This product has been tested to and is compliant with CS-03 issue 9.

European Union

Radio Equipment and Telecommunications Terminal Equipment Directive

This Xerox device has been self-certified by Xerox for pan-European single terminal connection to the analog public switched telephone network (PSTN) in accordance with Directive 1999/5/EC.

This device has been designed to work with the national public switched telephone networks and compatible PBX devices of the following countries:

Pan-European Analog PSTN and Compatible PBX Certifications		
Austria	Greece	Netherlands
Belgium	Hungary	Norway
Bulgaria	Iceland	Poland
Cyprus	Ireland	Portugal
Czech Republic	Italy	Romania
Denmark	Latvia	Slovakia
Estonia	Liechtenstein	Slovenia
Finland	Lithuania	Spain
France	Luxembourg	Sweden
Germany	Malta	United Kingdom

This product has been tested to and is compliant with TBR21 OR ES 103 021-1/2/3 or ES 203 021-1/2/3 technical specifications for terminal equipment for use on analog-switched telephone networks in the European Economic Area.

If you have problems with your product, contact your local Xerox representative. This product can be configured to be compatible with other country networks. Before reconnecting the device to a network in another country, contact your Xerox representative for assistance.

Notes:

- Although this product can use either loop disconnect (pulse) or DTMF tone signaling, Xerox recommends that you use DTMF signaling. DTMF signaling provides reliable and faster call setup.
- Modification of this product, or connection to external control software or control apparatus not authorized by Xerox, invalidates its certification.

New Zealand

1. The grant of a Telepermit for any item of terminal equipment indicates only that Telecom has accepted that the item complies with minimum conditions for connection to its network. It indicates no endorsement of the product by Telecom, it does not provide any sort of warranty, and it does not imply that any Telepermitted product is compatible with all Telecom network services. Above all, it provides no assurance that any item will work correctly in all respects with another item of Telepermitted equipment of a different make or model.

The equipment may not be capable of correct operation at the higher data speeds designated. 33.6 kbps and 56 kbps connections are likely to be restricted to lower bit rates when connected to some PSTN implementations. Telecom will accept no responsibility for difficulties that arise in such circumstances.

2. Immediately disconnect this equipment should it become physically damaged, then arrange for its disposal or repair.
3. This modem shall not be used in any manner which could constitute a nuisance to other Telecom customers.
4. This device is equipped with pulse dialing, while the Telecom standard is DTMF tone dialing. There is no guarantee that Telecom lines will always continue to support pulse dialing.
5. Use of pulse dialing, when this equipment is connected to the same line as other equipment, may give rise to 'bell tinkle' or noise and cause a false answer condition. If you encounter such problems, do not contact the Telecom Faults Service.
6. DTMF tones dialing is the preferred method because it is faster than pulse (decadic) dialing and is readily available on almost all New Zealand telephone exchanges.



WARNING: No '111' or other calls can be made from this device during a mains power failure.

7. This equipment may not provide for the effective hand-over of a call to another device connected to the same line.
8. Some parameters required for compliance with Telecom Telepermit requirements are dependent on the equipment (computer) associated with this device. The associated equipment shall be set to operate within the following limits for compliance with Telecom Specifications:

For repeat calls to the same number:

- There shall be no more than 10 call attempts to the same number within any 30 minute period for any single manual call initiation, and
- The equipment shall go on-hook for a period of not less than 30 seconds between the end of one attempt and the beginning of the next attempt.

For automatic calls to different numbers:

The equipment shall be set to ensure that automatic calls to different numbers are spaced such that there is no less than five seconds between the end of one call attempt and the beginning of another.

9. For correct operation, total of the RNs of all devices connected to a single line at any time should not exceed five.

South Africa

This modem must be used in conjunction with an approved surge protection device.

Material Safety Data Sheets

For Material Safety Data information regarding your printer, go to:

- North America: www.xerox.com/msds
- European Union: www.xerox.com/environment_europe

For the Customer Support Center phone numbers, go to www.xerox.com/office/worldcontacts.

Recycling and Disposal



This appendix includes:

- All Countries 222
- North America 223
- European Union 224
- Other Countries 226

All Countries

If you are managing the disposal of your Xerox product, please note that the printer may contain lead, mercury, perchlorate, and other materials whose disposal may be regulated due to environmental considerations. The presence of these materials is fully consistent with global regulations applicable at the time that the product was placed on the market. For recycling and disposal information, contact your local authorities. Perchlorate Material: This product may contain one or more Perchlorate-containing devices, such as batteries. Special handling may apply, please see www.dtsc.ca.gov/hazardouswaste/perchlorate.

North America

Xerox operates an equipment take-back and reuse/recycle program. Contact your Xerox representative (1-800-ASK-XEROX) to determine if this Xerox product is part of the program. For more information about Xerox environmental programs, visit www.xerox.com/environment, or for recycling and disposal information, contact your local authorities.

European Union

Some equipment may be used in both a domestic/household and a professional/business application.

Domestic/Household Environment



Application of this symbol on your equipment is confirmation that you should not dispose of the equipment in the normal household waste stream.



In accordance with European legislation, end of life electrical and electronic equipment subject to disposal must be segregated from household waste.

Private households within EU member states may return used electrical and electronic equipment to designated collection facilities free of charge. Please contact your local disposal authority for information.

In some member states, when you purchase new equipment, your local retailer may be required to take back your old equipment free of charge. Please ask your retailer for information.

Professional/Business Environment



Application of this symbol on your equipment is confirmation that you must dispose of this equipment in compliance with agreed national procedures.



In accordance with European legislation, end of life electrical and electronic equipment subject to disposal must be managed within agreed procedures.

Prior to disposal, please contact your local reseller or Xerox representative for end of life take-back information.

Collection and Disposal of Equipment and Batteries



These symbols on the products and/or accompanying documents mean that used electrical and electronic products and batteries should not be mixed with general household waste.

For proper treatment, recovery, and recycling of old products and used batteries, please take them to applicable collection points, in accordance with your national legislation and the Directive 2002/96/EC and 2006/66/EC.

By disposing of these products and batteries correctly, you will help to save valuable resources and prevent any potential negative effects on human health and the environment which could otherwise arise from inappropriate waste handling.

For more information about collection and recycling of old products and batteries, please contact your local municipality, your waste disposal service or the point of sale where you purchased the items.

Penalties may be applicable for incorrect disposal of this waste, in accordance with national legislation.

Business Users in the European Union

If you wish to discard electrical and electronic equipment, please contact your dealer or supplier for further information.

Disposal Outside of the European Union

These symbols are only valid in the European Union. If you wish to discard these items, please contact your local authorities or dealer and ask for the correct method of disposal.

Battery Symbol Note



This wheeled bin symbol may be used in combination with a chemical symbol. This establishes compliance with the requirements set out by the Directive.

Battery Removal

Batteries should only be replaced by a manufacturer-approved service facility.

Other Countries

Please contact your local waste management authority to request disposal guidance.

Free Manuals Download Website

<http://myh66.com>

<http://usermanuals.us>

<http://www.somanuals.com>

<http://www.4manuals.cc>

<http://www.manual-lib.com>

<http://www.404manual.com>

<http://www.luxmanual.com>

<http://aubethermostatmanual.com>

Golf course search by state

<http://golfingnear.com>

Email search by domain

<http://emailbydomain.com>

Auto manuals search

<http://auto.somanuals.com>

TV manuals search

<http://tv.somanuals.com>