

PHASER® 2135
COLOR PRINTER
USER GUIDE



Tektronix
COLOR PRINTERS BY

XEROX

www.xerox.com/officeprinting



Phaser® 2135 Color Printer User Guide

071-0748-00
March 2001

Copyright © Xerox Corporation. Unpublished rights reserved under the copyright laws of the United States. Contents of this publication may not be reproduced in any form without permission of Xerox Corporation.

Phaser®, PhaserShare®, ColorStix®, the TekColor® icon, Made For Each Other®, DocuPrint®, WorkSet®, Ethernet®, the stylized X, and XEROX® are registered trademarks of Xerox Corporation. PhaserLink™, PhaserPort™, PhaserPrint™, PhaserSym™, PhaserTools™, infoSMART™, and the TekColor™ name are trademarks of Xerox Corporation. TekColor CareSM and RealSUPPORTSM are service marks of Xerox Corporation.

Adobe®, Acrobat®, Acrobat® Reader, Illustrator®, PageMaker®, Photoshop®, and PostScript®, ATM®, Adobe Garamond®, Birch®, Carta®, Mythos®, Quake®, and Tekton® are registered trademarks and Adobe Jenson™, Adobe Brilliant Screens™ technology, and IntelliSelect™ are trademarks of Adobe Systems Incorporated or its subsidiaries which may be registered in certain jurisdictions.

Apple®, LaserWriter®, LocalTalk®, Macintosh®, Mac® OS, AppleTalk®, TrueType2®, Apple Chancery®, Chicago®, Geneva®, Monaco®, and New York® are registered trademarks, and QuickDraw™ is a trademark of Apple Computer Incorporated. Marigold™ and Oxford™ are trademarks of AlphaOmega Typography.

Avery™ is a trademark of Avery Dennison Corporation.

FTP® Software is a registered trademark of FTP Software, Incorporated.

PCL® and HP-GL® are registered trademarks of Hewlett-Packard Corporation.

Hoefer Text was designed by the Hoefer Type Foundry.

ITC Avant Guard Gothic®, ITC Bookman®, ITC Lubalin Graph®, ITC Mona Lisa®, ITC Symbol®, ITC Zapf Chancery®, and ITC Zapf Dingbats® are registered trademarks of International Typeface Corporation.

Bernhard Modern™, Clarendon™, Coronet™, Helvetica™, New Century Schoolbook™, Optima™, Palatino™, Stempel Garamond™, Times™, and Univers™ are trademarks of Linotype-Hell AG and/or its subsidiaries.

MS-DOS® and Windows® are registered trademarks of Microsoft Corporation.

Wingdings™ in TrueType® format is a product of Microsoft Corporation. WingDings is a trademark of Microsoft Corporation and TrueType is a registered trademark of Apple Computer, Inc.

Albertus™, Arial™, Gill Sans™, Joanna™, and Times New Roman™ are trademarks of Monotype Corporation.

Antique Olive® is a registered trademark of M. Olive.

Eurostile™ is a trademark of Nebiolo.

Novell® and NetWare® are registered trademarks of Novell, Incorporated.

Sun®, Sun Microsystems®, and Sun Microsystems Computer Corporation® are registered trademarks of Sun Microsystems, Incorporated. SPARC® is a registered trademark of SPARC International, Incorporated. SPARCstation™ is a trademark of SPARC International, Incorporated, licensed exclusively to Sun Microsystems, Incorporated.

UNIX® is a registered trademark in the US and other countries, licensed exclusively through X/Open Company Limited.

Other marks are trademarks or registered trademarks of the companies with which they are associated.

PANTONE® Colors generated by the Phaser 2135 Color Printer are four- and/or three-color process simulations and may not match PANTONE-identified solid color standards. Use current PANTONE Color Reference Manuals for accurate colors. PANTONE Color simulations are only obtainable on this product when driven by qualified Pantone-licensed software packages. Contact Pantone, Inc. for a current list of qualified licensees.

All trademarks noted herein are either the property of Xerox Corporation, Pantone, Inc., or their respective companies.

© Pantone, Inc., 1988.

Warranty

Printer Warranty

Xerox warrants that the Phaser 2135 Printer will be free from defects in materials and workmanship for a period of one (1) year from the date of shipment. If the product proves defective during the warranty period, Xerox, at its option, will:

- (1) repair the product by means of telephone support or on-site service at no charge for parts or labor,
- (2) replace the product with a comparable product, or
- (3) refund the amount paid for the product, less a reasonable allowance for usage, upon its return.

Under this product warranty, Customer must notify Xerox or its authorized service representative of the defect before the expiration of the warranty period. To obtain service under this warranty, the Customer must first contact Xerox Telephone Support personnel or that of its authorized service representative. Telephone Support personnel will work to resolve issues professionally and quickly, however the Customer must reasonably assist Xerox or its authorized representative.

If telephone support is unsuccessful, Xerox or its authorized service representative will provide warranty repair at Customer's site without charge as provided below.

- Service is available within the customary on-site service area in the United States and Canada for products purchased in the United States and Canada.
- Inside the European Economic Area, service is available within the customary on-site service area for products purchased in the EEA
- Outside the US, Canada, & EEA, service is available within the customary on-site service area in the country of purchase

Xerox reserves the right to charge for on-site service in exceptional cases.

A description of the customary on-site service area may be obtained from the local Xerox Customer Support Center or authorized Xerox distributor. On-site service is at Xerox or its authorized service representative's sole discretion and is considered an option of last resort.

If the Customer's product contains features that enable Xerox or its authorized service representative to diagnose and repair problems with the product remotely, Xerox may request that Customer allow such remote access to the product.

In the maintenance of the product, Xerox may use new or equivalent to new parts or assemblies for equal or improved quality. All defective parts and assemblies become the property of Xerox. Xerox, at its option, may request the return of these parts.

CONSUMABLES WARRANTY

Xerox warrants that toner cartridges will be free from defects in materials and workmanship for a period of one (1) year from date of installation. All other Customer Replaceable Consumables (CRCs) will be covered for a period of ninety (90) days (six (6) months where longer periods are required by law) from the date of installation, but not more than one (1) year from date of shipment. Under this warranty, the Customer must notify Xerox or its authorized service representative of the defect before the expiration of the warranty period. XEROX MAY REQUIRE THAT THE DEFECTIVE CRC BE RETURNED TO A DESIGNATED XEROX DEPOT OR THE XEROX REPRESENTATIVE FROM WHICH THE CRC WAS ORIGINALLY PURCHASED. Claims will be handled according to the current Xerox procedure.

These warranties shall not apply to any defect, failure or damage caused by improper use or improper or inadequate maintenance and care. Xerox shall not be obligated under these warranties:

- a) to repair damage resulting from attempts by personnel other than Xerox representatives to install, repair or service the product unless directed by a Xerox representative;
- b) to repair damage, malfunction, or degradation of performance resulting from improper use or connection to incompatible equipment or memory;
- c) to repair damage, malfunction, or degradation of performance caused by the use of non-Tektronix/Xerox printer supplies or consumables or the use of Tektronix/Xerox supplies not specified for use with this printer;
- d) to repair a product or CRC that has been modified or integrated with other products when the effect of such modification or integration increases the time or difficulty of servicing the product or CRC;
- e) to perform user maintenance or cleaning or to repair damage, malfunction, or degradation of performance resulting from failure to perform user maintenance and cleaning as prescribed in published product materials;
- f) to repair damage, malfunction, or degradation of performance resulting from use of the product in an environment not meeting the operating specifications set forth in the user manual;
- g) to repair this product after the limit of its duty cycle has been reached; all service thereafter shall be billed on a time and material basis;
- h) to replace CRCs that have been refilled, are used up, abused, misused, or tampered with in any way.

THE ABOVE WARRANTIES ARE GIVEN BY XEROX WITH RESPECT TO THIS PRODUCT AND ITS CUSTOMER REPLACEABLE CONSUMABLES IN LIEU OF ANY OTHER WARRANTIES, EXPRESS OR IMPLIED. XEROX AND ITS VENDORS DISCLAIM ANY IMPLIED WARRANTIES OF MERCHANTABILITY OR FITNESS FOR A PARTICULAR PURPOSE OR ANY SIMILAR STANDARD IMPOSED BY APPLICABLE LEGISLATION. XEROX' RESPONSIBILITY TO REPAIR, REPLACE, OR OFFER A REFUND FOR DEFECTIVE PRODUCTS AND CUSTOMER REPLACEABLE CONSUMABLES IS THE SOLE AND EXCLUSIVE REMEDY PROVIDED TO THE CUSTOMER FOR BREACH OF THESE WARRANTIES. XEROX AND ITS VENDORS WILL NOT BE LIABLE FOR ANY INDIRECT, SPECIAL, INCIDENTAL OR CONSEQUENTIAL DAMAGES (INCLUDING LOSS OF PROFITS) IRRESPECTIVE OF WHETHER XEROX OR THE VENDOR HAS ADVANCE NOTICE OF THE POSSIBILITY OF SUCH DAMAGES.

Some states, provinces, and countries do not allow the exclusion or limitation of incidental or consequential damages or exclusions or limitations on the duration of implied warranties or conditions, so the above limitations or exclusions may not apply to you. This warranty gives you specific legal rights, and you may also have other rights that vary by state, province, or country.

For the software warranty please see the end user license agreement included with the software.

In certain geographies this product is warranted by Fuji Xerox. This statement of warranty does not apply in Japan – please refer to the warranty statement provided in the Japanese user manual for products purchased in Japan.

If you are an Australian consumer, you should be aware that the Trade Practices Act 1974 and equivalent State and Territory legislation (collectively "the Acts") contain special provisions designed to protect Australian consumers. Nothing in any Fuji Xerox warranty material excludes or limits the application of any provision of any of the Acts, where to do so would contravene the Acts or cause any part of this warranty to be void. In this warranty material, an implied condition or warranty, the exclusion of which from a contract with a "Consumer" (as defined in the Acts) would contravene any provision of the Acts or cause any part or all of this warranty to be void, is called a "Non-excludable Condition". To the full extent permitted by law, Fuji Xerox's sole and total liability to the customer for a breach of any Non-excludable Condition (including for any consequential loss suffered by the customer) is limited, except as otherwise stated herein, to (at Fuji Xerox' option) replacing or repairing the goods, or resupplying, or paying the cost of the resupply of, the services, in respect of which the breach occurred. Subject to the above, all conditions and warranties which would or might otherwise be implied in a Consumer contract, whether by operation of statute, inference from circumstances, industry practice or otherwise, are excluded.

User safety summary

Your printer and the recommended consumable supplies have been designed and tested to meet strict safety requirements. Attention to the following notes will ensure the continued safe operation of your printer.

Electrical Safety

- Use the power cord supplied with your printer.
- Do not use a ground adapter plug to connect the printer to a power source receptacle that lacks a ground connection terminal.
- Plug the power cord directly into a properly grounded electrical outlet. Do not use an extension cord. If you do not know whether an outlet is grounded, ask an electrician to check the outlet.

Warning

Avoid the potential of severe electrical shock by ensuring the printer is properly grounded.

- Do not place the printer where people may step on the power cord.
- Do not place objects on the power cord.
- Do not obstruct the ventilation openings. These openings are provided to prevent overheating of the printer.

Warning

Do not push objects into slots and openings on the printer. Making a contact with a voltage point or shorting out a part could result in fire or electrical shock.

- If you notice unusual noises or odors, switch off the printer power immediately. Disconnect the power cord from the electrical outlet. Call an authorized service representative to correct the problem.
- The power cord is attached to the printer as a plug-in device at the back of the printer. In the event it is necessary to remove all electrical power from the printer, disconnect the power cord from the power receptacle.

- If any of the following conditions occur, switch off the printer power immediately, disconnect the power cord, and call an authorized service representative.
 - The power cord is damaged or frayed.
 - Liquid is spilled into the printer.
 - The printer is exposed to water.
 - Any part of the printer is damaged.

Maintenance Safety

- Do not attempt any maintenance procedure that is not specifically described in the documentation supplied with your printer.
- Do not use aerosol cleaners. The use of supplies that are not approved may cause poor performance and could create a dangerous condition.
- Do not remove the covers or guards that are fastened with screws unless you are installing optional equipment and are specifically instructed to do so. Power should be OFF when performing these installations. Except for user installable options, there are no parts that you can maintain or service behind these covers.

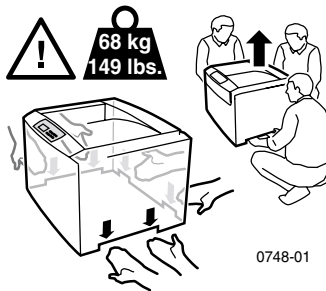
Operational Safety

Your printer and supplies were designed and tested to meet strict safety requirements. These include safety agency examination, approval, and compliance with established environmental standards.

Your attention to the following safety guidelines will help to ensure the continued safe operation of your printer.

- Use the material and supplies specifically designed for your printer. The use of unsuitable materials may result in poor performance and possibly a hazardous situation.
- Follow all warnings and instructions marked on, or supplied with, the printer, options and supplies.
- Place the printer in a dust free area where the temperature range is 50 degrees F to 90 degrees F (10 degrees C to 32 degrees C) and the relative humidity is 10 percent to 85 percent.
- Place the printer in an area where there is adequate space for ventilation, operation and servicing. The recommended minimal spacing is 90 cm (36 in.) in front of and above the printer, 60 cm (24 in.) behind the printer, and 30 cm (12 in.) on each side of the printer. Do not block or cover the slots and openings on the printer. Without adequate ventilation, the printer may overheat.
- For optimum performance, use the printer at elevations below 2,000 meters (6,560 ft.). Performance may diminish at elevations between 2,000 meters (6,560 ft.) and 3,000 meters (9,840 ft.). Use at elevations above 3,000 meters (9,840 ft.) exceeds operability limits.
- Do not place the printer near a heat source.
- Do not place the printer in direct sunlight.
- Do not place the printer in line with the cold air flow from an air conditioning system.

- Place the printer on a level, solid surface with adequate strength for the weight of the machine. The base printer weight without any packaging materials is 68 kg (149 pounds).
- The printer is heavy, and must be lifted by three people. The illustration below shows the proper technique for lifting the printer.



- Exercise care in moving or relocating the printer, it is back-heavy and could tip backward. Follow the recommended procedure when moving the printer from one location to another. Refer to the *Phaser 2135 Setup Instructions*.
- Do not place any liquids on the printer.

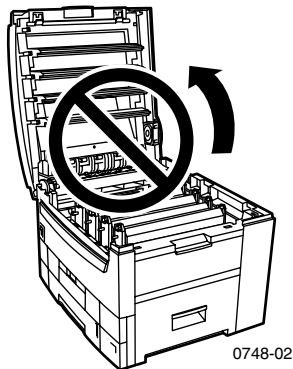
Warning

Be careful when working in areas inside the printer identified with a warning symbol. These areas may be very hot and could cause personal injury.

- Wait 10-15 seconds between switching the printer off and on.
- Keep hands, hair, neckties, etc., away from the exit and feed rollers.

While printing, do not remove:

- the media source tray that you have selected in the driver or front panel
- any trays above the currently selected media source tray.
- Do not open the covers while printing.



- Do not switch off the printer power while printing.



0748-03

- Do not move the printer while printing.

Symbols as marked on product:

DANGER high voltage:



0748-04

Protective ground (earth) terminal:



0748-05

Hot surface on or in the printer. Use caution to avoid personal injury:



0748-07



0748-06



0748-08

Use caution. Refer to the manual(s) for information:



0748-09

Warning

If the product loses the ground connection, usage of knobs and controls (and other conductive parts) can cause an electrical shock. Electrical product may be hazardous if misused.

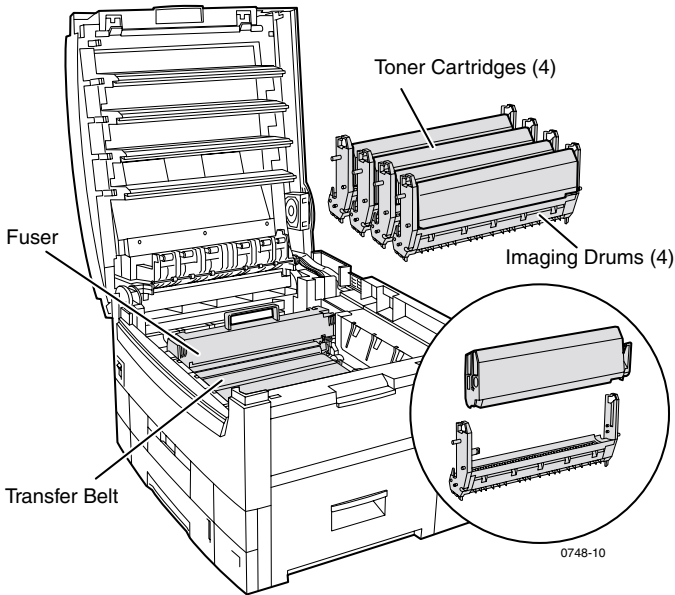
Warning

For your protection, do not defeat any interlocks.

Contents

Xerox Supplies and Accessories	1
Front Panel Usage	10
Basic Menu Navigation	11
Print Modes	13
Color Modes	14
Paper Tips	16
Universal Tray	20
Multi-Sheet Bypass Feeder (MBF)	27
Loading Specialty Media in the Multi-Sheet Bypass Feeder (MBF).	32
Automatic 2-Sided Printing From the Paper Tray	36
Manual 2-Sided Printing	39
Troubleshooting Print Quality Problems	48
Clearing Media Jams	53
Getting Help	61
Specifications	65
Index	77

Xerox Supplies and Accessories



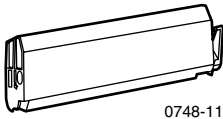
Note

Inside the printer, all handles and points of user interaction for replacing Customer-Replaceable Consumables (CRCs) are **light orange**.

When the front panel prompts you that a supply is low or needs to be replaced, make sure that you have replacements on hand. To order supplies and accessories, contact your local dealer or visit the Xerox web site:

www.xerox.com/officeprinting/supplies/

Customer-Replaceable Consumables (CRCs)



0748-11

High-Capacity Toner Cartridges

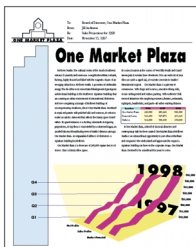
Toner cartridge life expectancy is up to 15,000 images on letter-size paper at 5 percent coverage per color. The following customer usage patterns may significantly reduce toner cartridge life: higher than 5 percent coverage, using paper that is larger than letter-size, printing jobs of less than 5 pages, opening and closing the top cover, and turning the printer off and on.

Item	Part Number
Black	016-1917-00
Cyan	016-1918-00
Magenta	016-1919-00
Yellow	016-1920-00

Standard Toner Cartridges

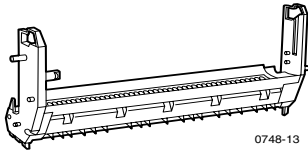
Toner cartridge life expectancy is up to 7,500 images on letter-size paper at 5 percent coverage per color. The following customer usage patterns may significantly reduce toner cartridge life: higher than 5 percent coverage, using paper that is larger than letter-size, printing jobs of less than 5 pages, opening and closing the top cover, and turning the printer off and on.

Item	Part Number
Black	016-1913-00
Cyan	016-1914-00
Magenta	016-1915-00
Yellow	016-1916-00



0748-12

This is an example of 5 percent coverage per color (20 percent coverage per page).



0748-13

Imaging Drums

Imaging drum life expectancy is up to 30,000 letter-size pages based on continuous printing. The following customer usage patterns may significantly reduce imaging drum life: printing jobs of less than 5 pages, opening and closing the top cover, turning the printer off and on, printing on transparencies or specialty papers, printing short-edge feed, printing larger than letter-size print jobs and automatic two-sided printing.

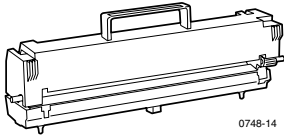
Item	Part Number
Black Imaging Drum	016-1921-00
Cyan Imaging Drum	016-1922-00
Magenta Imaging Drum	016-1923-00
Yellow Imaging Drum	016-1924-00

Note

Cyan, Magenta and Yellow imaging drums typically need to be replaced at the same time, regardless of color usage.

Imaging Drum Rainbow Pack

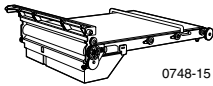
Item	Part Number
Imaging Drum Rainbow Pack (each pack contains a Cyan, Magenta, and Yellow imaging drum)	016-1935-00



Fuser

Fuser life expectancy is up to 80,000 letter-size pages.

Item	Part Number
110 volt	016-1925-00
220 volt	016-1926-00



Transfer Belt

Transfer belt life expectancy is up to 80,000 letter-size pages based on continuous printing. The following customer usage patterns may significantly reduce the transfer belt life: printing jobs of less than 5 pages, opening and closing the top cover, turning the printer off and on, printing on transparencies or specialty papers, printing short-edge feed, printing larger than letter-size print jobs, and automatic two-sided printing.

Item	Part Number
Transfer Belt	016-1927-00

Customer Replaceable Units (CRUs)

Universal Tray (Paper Cassette Only)

Item	Description	Part Number
Tray 1	<ul style="list-style-type: none"> ■ 550 sheets of 75 g/m² (20 lb. bond) paper ■ 250 Standard or 200 Premium transparency sheets 	■ 116-1009-00
<p>Note</p> <p>If the automatic duplex unit is installed, it must be removed along with Tray 1 when replacing Tray 1.</p>		
Trays 2-5	■ 550 sheets of 75 g/m ² (20 lb. bond) paper	■ 116-1042-00

Supplies

Xerox Phaser Professional Printing Paper

Item	Size	Description	Part Number
Phaser Premium Color Printing Paper 90 g/m ² (24 lb. bond)	■ A/Letter (U.S.) 8.5 x 11 in.	■ 500 sheets	■ 016-1368-00
	■ A4 (Metric Letter) 210 x 297 mm	■ 500 sheets	■ 016-1369-00
	■ 11 x 17 in.	■ 500 sheets	■ 016-1699-00
	■ A3	■ 500 sheets	■ 016-1700-00
	■ SRA3	■ 500 sheets	■ 016-1900-00
Phaser Glossy Coated Paper 148 g/m ² (100 lb. book)	■ 12 x 18 in.	■ 500 sheets	■ 016-1901-00
	■ A/Letter (U. S.) 8.5 x 11 in.	■ 100 sheets	■ 016-1704-00
	■ A4 (Metric Letter) 210 x 297 mm	■ 100 sheets	■ 016-1705-00
	■ 11 x 17 in.	■ 50 sheets	■ 016-1718-00
	■ A3	■ 50 sheets	■ 016-1719-00
	■ SRA3	■ 50 sheets	■ 016-1940-00
	■ 12 x 18 in.	■ 50 sheets	■ 016-1941-00

Xerox Phaser Professional Printing Paper (cont'd.)

Item	Size	Description	Part Number
Phaser Premium Cover Paper 160 g/m ² (60 lb. cover)	■ A/Letter (U. S.) 8.5 x 11 in.	■ 100 sheets	■ 016-1823-00
	■ A4 (Metric Letter) 210 x 297 mm	■ 100 sheets	■ 016-1824-00

Xerox Phaser 35 Series Transparency Film

Item	Size	Description	Part Number
Premium	■ A/Letter (U. S.) 8.5 x 11 in.	■ 50 sheets	■ 016-1896-00
Premium	■ A4 (Metric Letter) 210 x 297 mm	■ 50 sheets	■ 016-1897-00
Standard	■ A/Letter (U. S.) 8.5 x 11 in.	■ 50 sheets	■ 016-1894-00
Standard	■ A4 (Metric Letter) 210 x 297 mm	■ 50 sheets	■ 016-1895-00

Xerox Phaser Transparency Sleeves and Pockets

Item	Description	Part Number
Transparency Sleeve		
■ A/Letter size	■ 50 sleeves	■ 016-1130-00
■ A4 size	■ 50 sleeves	■ 016-1131-00
Transparency Pocket		
■ A/Letter size	■ 50 pockets	■ 016-1194-00

Xerox Phaser Color Laser Labels

Size	Description	Part Number
A/Letter (U. S.) 8.5 x 11 in. (108 lb. label)	100 sheets / 30 labels per sheet (1.0 x 2.625 in. labels)	016-1695-00
A/Letter (U. S.) 8.5 x 11 in. (108 lb. label)	100 sheets / 6 labels per sheet (3.33 x 4.0 in. labels)	016-1696-00

Xerox Phaser Color Laser Labels

Size	Description	Part Number
A4 (Metric Letter) 210 x 297 mm (176 g/m ²)	100 sheets / 14 labels per sheet (38.1 x 99.1 mm labels)	016-1688-00
A4 (Metric Letter) 210 x 297 mm (176 g/m ²)	100 sheets / 8 labels per sheet (67.7 x 99.1 mm labels)	016-1689-00

Xerox Phaser Premium Business Cards

Item	Description	Part Number
A/Letter (U.S.) 8.5 x 11 in. (50 lb. bond)	25 sheets / 10 cards per sheet 2.0 x 3.5 in. cards	016-1898-00
A4 (Metric Letter) 210 x 297 mm (190 g/m ²)	25 sheets / 10 cards per sheet 51 x 89 mm cards	016-1899-00

Cleaning Kit

Item	Description	Part Number
■ Cleaning Kit	■ Contains instructions and five alcohol wipes	016-1845-00

Accessories

Internal Hard Drive

Feature	Part Number
■ 5-Gbyte Capacity	2135HD
■ Adds more storage for collation, downloaded fonts, forms and overlays	
■ Provides support for Secure Print and Proof Print jobs	
■ Enables TIFF and PDF printing	

Automatic Duplex Unit

Features	Part Number
■ <i>Automatic</i> 2-sided printing with the Duplex Unit	2135DPX
■ Increased printing versatility and convenience	
■ Allows Booklet printing feature	

Additional Memory

Feature	Part Number
■ 64 Mbytes	ZMB64
■ 128 Mbytes	ZMB128
■ 256 Mbytes	ZMB256
■ 512 Mbytes	ZMB512

Note

256-Mbyte DIMMs must be used alone or as a pair. They cannot be used in combination with any other size of memory.

Lower Tray Assembly

Feature	Part Number
■ Paper capacity is 550 sheets of 75 g/m ² (20 lb. bond) paper	2135LTA
■ Up to two lower tray assemblies can be installed	

Lower Tray Deck

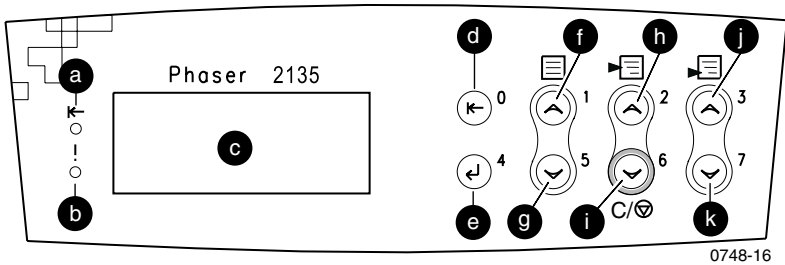
Feature	Part Number
■ Paper capacity is 1650 sheets of 75 g/m ² (20 lb. bond) paper	2135LTD
■ One lower tray assembly can be added above the lower tray deck for a total capacity of 2200 sheets	

Front Panel Usage

Front Panel Layout

The printer's front panel allows you do the following:

- Display printer status and the job in process.
- Change printer settings.
- Print reports and password-protected pages stored on the optional hard drive.
- Cancel a print job quickly.



Front Panel Buttons

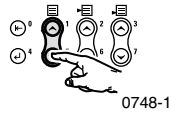
a	On-line indicator light	g	Menu Down button
b	Fault indicator light	h	Item Up button
c	Two-line display	i	Item Down/Cancel button
d	On-line button	j	Value Up button
e	Enter button	k	Value Down button
f	Menu Up button		

Basic Menu Navigation

For a description of the menu system, items and values, see the *Advanced Features and Troubleshooting Manual* on the CD-ROM.

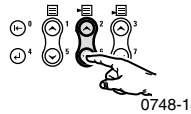
1. Press **Menu Up** or **Menu Down** to scroll the available menus; until *Menu Name* is the current menu.

Menus
Menu Name



2. Press **Item Up** or **Item Down** to scroll the submenu (all menus except the Password Menu).

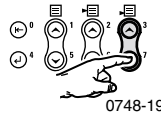
Menu name
Item Name



Item Name is the current item. For the Job, Print and Reset Menu, the bottom line of the display indicates an action to be taken.

3. Press **Value Up** or **Value Down** to select a value.

Item Name
*Current Value**



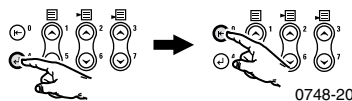
To scroll quickly, hold down **Value Up** or **Value Down**.

Note

The asterisk (*) indicates the currently selected value.

4. When you see the value you want, press **Enter** to accept it.

Menu Name
Item Name



Continue working in the Menu by repeating Steps 1-4. Or, press **On-line** to exit the menu and return to **Ready**.

Note

If you press **On-line** before pressing **Enter** the new value is not saved and the Menu is exited.

The printer automatically exits the Menu after 60 seconds of inactivity (no button has been pressed).

Some commonly performed front panel procedures are described in the *Advanced Features and Troubleshooting Manual* on the CD-ROM:

- Printing Printer Reports
- Printing Secure Print and Proof Print Jobs
- Deleting Secure Print and Proof Print Jobs
- Setting Network Addressing
- Canceling Print Jobs

Note

Changes made in the printer driver override front panel settings.

Printing the Menu Map

You can print the Menu Map to help you navigate the front panel.

1. At the front panel, press **Menu Up** or **Menu Down** until you select **Print Menu Map**.
2. Press **Enter** to print the page.

The Menu Map page is printed and the printer is automatically ready for the next print job.

Print Modes

Print Modes

Standard	Recommended for basic office printing, 600 x 600 dpi.
Enhanced	Makes very fine lines, sharp edges, and small text sharper; 600 x 1200 dpi.

From the printer's front panel:

1. Use the **Menu** buttons to scroll to **PostScript Menu**.
2. Use the **Item** buttons to scroll to **Print Mode**.
3. Use the **Value** buttons to select the desired Print-Quality Mode.
4. Press the **Enter** button to save the changes.
5. Press the **On-line** button to exit the Menu System.

Note

You can select the Print-Quality mode in the front panel or software driver. Refer to the *Advanced Features and Troubleshooting Manual* for driver instructions, or see the on-line help in the driver.

The software driver always overrides the front panel settings.

Color Modes

Color Mode

Automatic	Best for printing documents with a variety of content like text and graphics. This is the default mode.
Grayscale	Use for producing the best black-and-white version of a document.
Fax Friendly	Black-and-white version that converts colors to patterns. Recommended for copying or faxing of documents.
None	For printing from applications that do all their own color management.

Advanced Color Modes

See the *Advanced Features and Troubleshooting Manual* for more detail. The Advanced Color Modes includes the following:

ICC Saturation*

ICC Perceptual*

ICC Colorimetric*

CMYK Simulation*

* You can select these from the **Advanced Color Mode** option in your driver.

From the printer's front panel:

1. Press the **Menu** buttons to scroll to **PostScript Menu**.
2. Press the **Item** buttons to scroll to **Color Mode**.
3. Press the **Value** buttons to select the desired Color Mode.
4. Press the **Enter** button to save your selection.
5. Press the **On-line** button to exit the menu.

Note

You can select the Color Mode in the front panel or software driver. For more detailed information on *Color Modes*, refer to the *Advanced Features and Troubleshooting Manual* on the CD-ROM, or see the on-line help in the driver.

The software driver overrides front panel settings.

Advanced Features

Black Overprint	Reduces thin white outlines that may appear around black text edges on color backgrounds.
Process Grayscale	Prints black areas of your image with cyan, magenta, and yellow toner making blacks appear richer.
Unspecified RGB Interpretation (Only available in the driver.)	<ul style="list-style-type: none">■ Xerox RGB: Produces lighter color prints than sRGB.■ sRGB: Settings that are defined by the sRGB standard.■ Custom RGB: Allows you to select your Gamma and Phosphor settings.
Unspecified CMYK Interpretation (Only available in the driver.)	<ul style="list-style-type: none">■ Vivid: Makes blue colors appear less purple.■ SWOP: Specification for Web Offset Publications. Use to match U.S. press standards.■ EuroScale: European color standard for printing presses.■ Japan Color: A Japanese color standard for printing presses.■ Printer Device: Uses built-in CMYK tables.

Image Enhancement

ImageFix 2 (Only available in the driver.)	<ul style="list-style-type: none">■ Automatic Image Correction Optimizes printing of photographs or bitmap images. It enhances RGB images if the exposure level, color balance, sharpness, brightness, or contrast settings in the original image have not been optimized.■ Smooth Low Resolution Images Enhances low resolution graphics. Ideal for images from the World Wide Web.
--	---

Note

ImageFix 2 is only available using the Windows 9X/ME PS driver.

Paper Tips

Caution

Do not use any media designed for inkjet printers, especially inkjet coated paper and inkjet transparencies. Inkjet media are coated with a substance that can damage printer components. Damage caused by using unsupported media is not covered by the printer's warranty. Always use Xerox Phaser media that has been specially designed for use with your printer.

Use only Phaser 35 Series Transparencies. Other transparencies may cause damage to the fuser. Any damage that is caused due to the use of unsupported media is not covered by your printer's warranty. See *Xerox Phaser 35 Series Transparencies* on page 32.

- For a comprehensive list of media types, weights, sizes and part numbers, print the Paper Tips Page from the front panel. Press **Menu** until **Support Menu** is selected. Press the **Value** button until **Print Paper Tips Page** is selected. Press the **Enter** button.
- For specialty media, use the Multi-Sheet Bypass Feeder (MBF) with the side output tray open on the left side of the printer; refer to *page 27*.
- For best results, use Xerox Phaser paper; it is guaranteed to produce excellent results on your Phaser 2135 printer.
- A low-paper message is displayed when there are approximately 30 to 40 sheets of paper remaining in the paper tray.
- Auto tray switching is available. When one tray runs out of media, the printer switches to the next tray that contains the same media size. If you do not have a second tray, a *Load Tray 1* message appears on the front panel.
- While printing, do not remove:
 - the media source tray that you have selected in the driver or front panel.
 - any trays above the currently selected media source tray.

- Always keep media in a sealed package to avoid the effects of humidity, which can affect print quality.
- If you use non-Xerox paper, make sure that it meets the following criteria:
 - Weight range: 60-203 g/m² (16-54 lb. bond)
 - Smooth surface
 - Intended for laser printers
- Do not use wrinkled or damaged paper.

Supported page sizes and print area

The printer supports these media sizes, which you select in the **Print** dialog box of a supported printer driver.

Supported page sizes and print area

Media	Page size	Image area	Margins	
			Top / Bottom	Sides
Letter	8.5 x 11 in. 215.9 x 279.4 mm	8.1 x 10.6 in.	.2 in.	.2 in.
Legal	8.5 x 14 in. 216 x 356 mm	8.1 x 13.6 in.	.2 in.	.2 in.
8.5 x 13 in.	8.5 x 13.0 in. 216 x 330 mm	8.1 x 12.6 in.	5 mm .2 in.	5 mm .2 in.
8 x 13 in.*	8.0 x 13.0 in. 203 x 330 mm	7.6 x 12.6 in.	.2 in.	.2 in.
11 x 17 in.	11 x 17 in. 279 x 432 mm	10.6 x 16.6 in.	.2 in.	.2 in.
215 x 315 mm*	215 x 315 mm 8.5 x 12.4 in.	8.1 x 12 in.	5 mm .2 in.	5 mm .2 in.
A4	210 x 297 mm 8.3 x 11.7 in.	200 x 287 mm	5 mm .2 in.	5 mm .2 in.
A3	297 x 420 mm 11.7 x 16.5 in.	287 x 410 mm	5 mm .2 in.	5 mm .2 in.
SRA3	320 x 450 mm 12.6 x 17.7 in.	310 x 440 mm	5 mm .2 in.	5 mm .2 in.
A3 Nobi	328 x 453 mm 12.9 x 17.8 in.	318 x 443 mm	5 mm .2 in.	5 mm .2 in.
JIS B5	182 x 257 mm 7.16 x 10.1 in.	172 x 247 mm	5 mm .2 in.	5 mm .2 in.

* Only use this media in the Multi-Sheet Bypass Feeder (MBF). Open the side output tray on the left side of the printer. Refer to *page 29*.

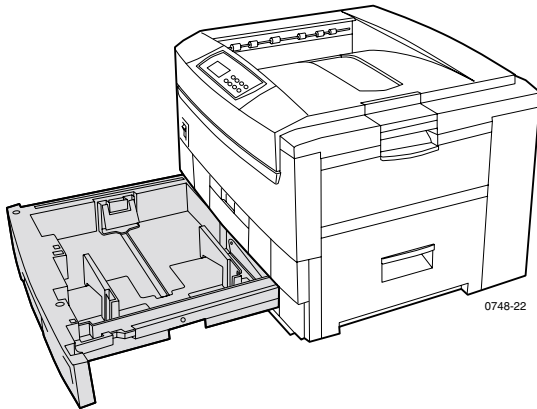
Supported page sizes and print area (cont'd.)

Media	Page size	Image area	Margins	
			Top / Bottom	Sides
JIS B4	257 x 182 mm 10.1 x 7.16 in.	247 x 172 mm	5 mm .2 in.	5 mm .2 in.
A5	148 x 210 mm 5.83 x 8.27 in.	138 x 200 mm	5 mm .2 in.	5 mm .2 in.
Executive	7.25 x 10.5 in. 184 x 266 mm	6.85 x 10.1 in.	.2 in.	.2 in.
Statement*	5.5 x 8.5 in. 140 x 215 mm	5.1 x 8.1 in.	.2 in.	.2 in.
8 x 10 in.*	8.0 x 10.0 in. 203 x 254 mm	7.6 x 9.6 in.	.2 in.	.2 in.
12 x 18 in.	12.0 x 18.0 in. 305 x 457 mm	11.6 x 17.6 in.	.2 in.	.2 in.
A6**	105 x 148 mm 4.13 x 5.83 in.	95 x 138 mm	5 mm .2 in.	5 mm .2 in.
Monarch Envelope*	3.88 x 7.5 in. 98.4 x 191 mm	88.4 x 181 mm	5 mm .2 in.	5 mm .2 in.
#10 Envelope*	4.13 x 9.5 in. 105 x 241 mm	3.73 x 9.1 in. 95 x 231 mm	.2 in.	.2 in.
C5 Envelope*	162 x 229 mm 6.38 x 9.02 in.	152 x 219 mm	5 mm .2 in.	5 mm .2 in.
C4 Envelope*	229 x 324 mm 9.02 x 12.8 in.	219 x 314 mm	5 mm .2 in.	5 mm .2 in.
DL Envelope*	110 x 220 mm 4.33 x 8.66 in.	100 x 212 mm	5 mm .2 in.	5 mm .2 in.
JIS B5 Envelope*	176 x 250 mm 6.93 x 9.85 in.	166 x 240 mm	.2 in.	.2 in.

* Only use this media in the Multi-Sheet Bypass Feeder (MBF). Open the side output bin on the left side of the printer. Refer to *page 29*.

** Only use this media in the Multi-Sheet Bypass Feeder (MBF) or Tray 1. Open the side output bin on the left side of the printer. Refer to *page 29*.

Universal Tray



Tray 1 can be used for paper, transparencies, glossy coated paper and thin card stock. Trays 2-5 (if installed) can be used for paper and thin card stock. For media weights, see *page 26*.

Paper Specifics

- 550-sheet capacity (20 lb. bond paper)
- 60-163 g/m² (16-43 lb. bond paper)
- Use Xerox Phaser Professional Printing Paper. Refer to *page 5* for ordering supplies.
- The universal tray supports paper and specialty media types in the following table:

Supported Media

Supported Media	Capacity
Plain paper	
■ Xerox Phaser Premium Color Printing Paper 90 g/m ² (24 lb. bond)	■ 550 sheets (at 20 lb. bond)
■ Other plain paper 75-90 g/m ² (20-24 lb. bond)	
Phaser 2135 Transparency	
■ Xerox Phaser 35 Series Transparencies	■ 250 sheets Standard or 200 sheets Premium
Heavy paper	
■ Xerox Phaser Premium Color Printing Paper 90 g/m ² (24 lb. bond)	■ 530 sheets
■ Other heavy paper 90-120 g/m ² (24-32 lb. bond)	
Glossy coated paper	
■ Xerox Phaser Glossy Coated Paper 148 g/m ² (100 lb. book)	■ 430 sheets
■ Other glossy coated paper 121-160 g/m ² (82-108 lb. book)	
Thin card stock	
■ Xerox Phaser Premium Cover Paper 160 g/m ² (60 lb. cover)	■ 350 sheets
■ Other thin card stock 120-163 g/m ² (44-60 lb. cover)	
Light paper	
■ Non-Xerox light paper 60-75 g/m ² (16-20 lb. bond)	

- For supported paper sizes, see *page 18*.

Note

Specialty papers such as thick card stock, envelopes, Xerox Phaser Laser Labels, and Xerox Phaser Premium Business Cards must be loaded in the Multi-Sheet Bypass Feeder (MBF) only.

Transparency Specifics

- 250-sheet capacity for Standard or 200-sheet capacity Premium transparencies
- Transparencies can be used in Tray 1 or the Multi-Sheet Bypass Feeder (transparencies are not supported in Trays 2-5).
- Use only Premium or Standard Xerox Phaser 35 Series Transparencies. See *page 1* for supplies ordering information. For information on Xerox Phaser transparencies, visit the Xerox web site:

www.xerox.com/officeprinting/trans/

Note

It is recommended that you print transparencies to the side output tray, however, if you do print transparencies to the top output tray, long edge feed (LEF) is recommended.

Caution

Use only Xerox Phaser 35 Series Transparencies; other transparencies may cause damage to the fuser. Any damage that is caused due to the use of unsupported transparencies is not covered by your printer's warranty.

Universal Tray Loading (Tray 1, 2, 3, 4, or 5)

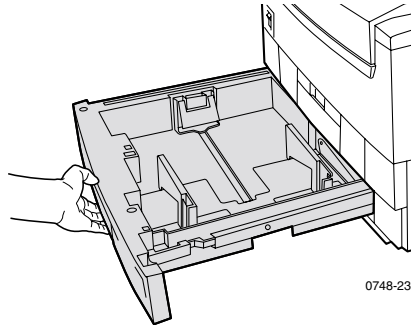
Each tray holds up to 550 sheets of 75 g/m² (20 lb.) bond paper. Capacity is reduced for heavier or thicker stock. The top output tray on top of the printer holds up to 500 sheets and the Side Output Tray at the left hand side of the printer holds up to 100 sheets of 75 g/m² (20 lb.) bond paper. For information on automatic 2-sided printing and manual 2-sided printing, see *page 36* and *page 39*.

Note

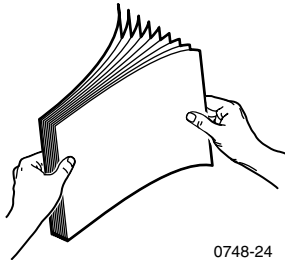
For supported page sizes for 1-sided printing, refer to *page 18*.

To load a universal tray, follow these steps:

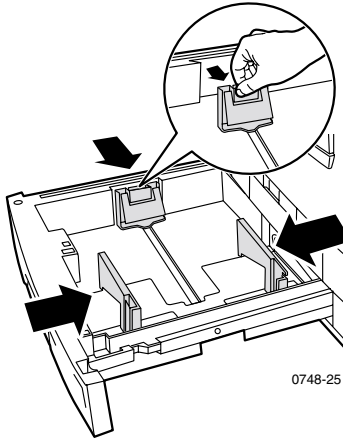
1. Pull out the universal tray.



2. Fan the media to release sheets that are stuck together.

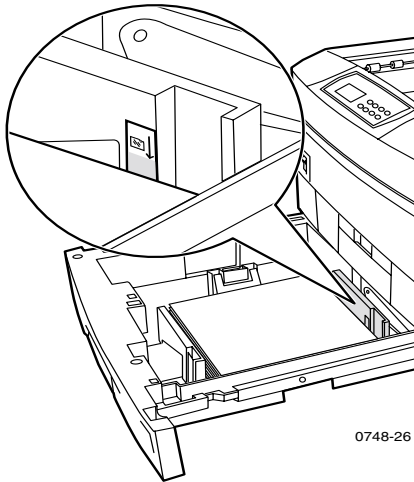


- Adjust the width and length guides to match the size of your paper. Paper size is automatically detected from the tray settings.



- Observe the fill lines for paper and transparencies on the left side of the Universal Tray. Do not load paper or transparencies above their fill lines because it may cause a jam.

- Paper: 550 sheets (75 g/m²/20 lb. bond paper)
- Transparency: 250 Standard or 200 Premium sheets

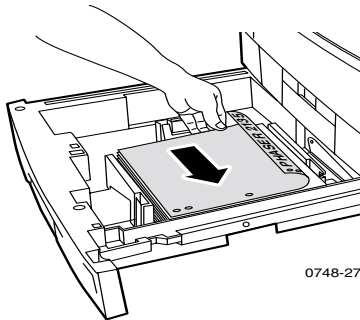


5. Insert a stack of paper into the Universal Tray. For proper print orientation:

- Place the side to be printed **face-down**.

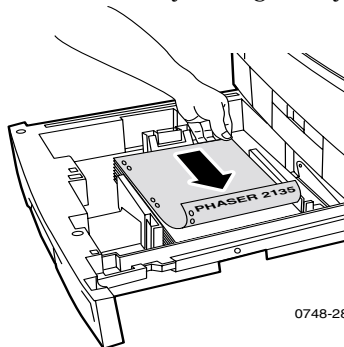
Long-Edge Feed (LEF)

- Prepunched holes should be on your right as you face the printer.
- Letterhead should be at the back of the tray.
- It is strongly recommended that you use long-edge feed (LEF) for Letter, A4, and JIS B4 paper sizes.



Short-Edge Feed (SEF)

- Prepunched holes should be at the front of the tray.
- Letterhead should be on your right as you face the printer.



Note

It is recommended that you print transparencies to the side output tray, however, if you do print transparencies to the top output tray, long edge feed (LEF) is recommended.

6. Re-insert the Universal Tray.
7. The front panel prompts you to select the loaded media type. Press the **Value** buttons to select an option listed:

Front Panel Media Options

Media Type	Weight
Plain paper	75-90 g/m ² (20-24 lb. bond)
Phaser 2135 Transparency *	
Heavy paper	90-120 g/m ² (24-32 lb. bond)
Glossy paper *	121-160 g/m ² (82-108 lb. book)
Thin card stock	120-163 g/m ² (44-60 lb. cover)
Light paper	60-75 g/m ² (16-20 lb. bond)

* Use only in Tray 1 or the Multi-Sheet Bypass Feeder (MBF). Open the side output bin on the side of the printer. Refer to *page 29*.

8. Press the **Enter** button to save your selection.

Note

To avoid possible print-quality and media-feed problems, make sure that the loaded media matches the tray type setting.

Multi-Sheet Bypass Feeder (MBF)

Always use the Multi-Sheet Bypass Feeder (MBF) for specialty media.

Media Specifics

- 60-203 g/m² (16-54 lb. bond).
- The MBF supports the following paper and specialty media types:

Supported Media

Supported Media	Capacity
Plain paper	
■ Xerox Phaser Premium Color Printing Paper 90 g/m ² (24 lb. bond)	■ 100 sheets (at 20 lb. bond)
■ Other plain paper 75-90 g/m ² (20-24 lb. bond)	
Phaser 2135 Transparency	
■ Xerox Phaser 35 Series Transparencies	■ 50 sheets (Standard or Premium)
Heavy paper	
■ Xerox Phaser Premium Color Printing Paper 90 g/m ² (24 lb. bond)	■ 100 sheets
■ Other heavy paper 90-120 g/m ² (24-32 lb. bond)	
Glossy coated paper	
■ Xerox Phaser Glossy Coated Paper 148 g/m ² (100 lb. book)	■ 80 sheets
■ Other glossy coated paper 121-160 g/m ² (82-108 lb. book)	
Thick card stock	
■ Cover Stock 163-203 g/m ² (60-75 lb. cover)	
■ Index Stock 163-203 g/m ² (90-112 lb. index)	
Thin card stock	
■ Xerox Phaser Premium Cover Paper 160 g/m ² (60 lb. cover)	■ 70 sheets
■ Other thin card stock 120-163 g/m ² (44-60 lb. cover)	
■ Index Stock 120-163 g/m ² (65-90 lb. index)	

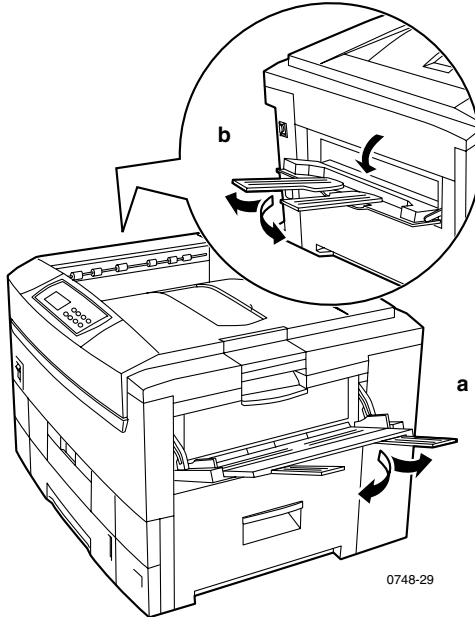
Supported Media (cont'd.)

Supported Media	Capacity
Labels	
■ Xerox Phaser Color Laser Labels 176 g/m ² (108 lb. tag)	■ 50 sheets
■ Other labels 121-203 g/m ² (74-125 lb. tag)	
Envelope	
■ Monarch, #10, C5, C4, DL, JIS B5, 9 x 12	
Business cards	
■ Xerox Phaser Premium Business Cards 190 g/m ² (70 lb. cover)	■ 25 sheets
Light paper	
■ Other 60-75 g/m ² (16-20 lb. bond)	

- For information on loading transparencies, see *page 32*. Use Xerox Phaser 35 Series Transparencies only.
- When sending a **Multi-Sheet Bypass Feeder** job from the driver, the printer prompts you to load the correct media if the media does not match what you previously loaded.
- If a different media size is loaded in the MBF than what is selected in the driver, the printer stops and the front panel prompts you to load the correct media size in the MBF.

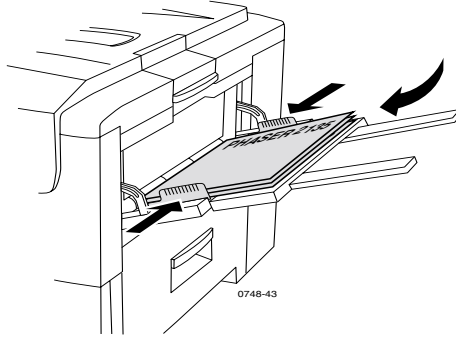
Loading the Multi-Sheet Bypass Feeder (MBF)

1. Open the Multi-Sheet Bypass Feeder tray and unfold the two extensions **(a)**.
2. Open the Side Output Tray on the left side of the printer and swing out the two extensions where the media will exit **(b)**.



- The Multi-Sheet Bypass Feeder does not automatically detect paper size.
- Automatic 2-Sided Printing is not available with the Multi-Sheet Bypass Feeder.

3. Insert the media and adjust the guide for the media width:



- For Xerox Phaser 35 Series Transparencies, refer to *page 32*.
- For Xerox Phaser Color Laser Labels, refer to *page 35*.
- For envelopes, refer to *page 33*.
- For Xerox Phaser Premium Business Cards, refer to *page 35*.

4. The front panel prompts you to select the loaded media type and size.
 - a. Press the **Value** buttons to select a media type:

Media Type Options

Media Type Options	Weight
Plain paper	75-90 g/m ² (20-24 lb. bond)
Phaser 2135 Transparency	
Heavy paper	90-120 g/m ² (24-32 lb. bond)
Glossy paper	121-160 g/m ² (82-108 lb. book)
Thick card stock	163-203 g/m ² (60-75 lb. cover)
Thin card stock	120-163 g/m ² (44-60 lb. cover)
Labels	
Envelope	
Business cards	190 g/m ² (70 lb. cover)
Light paper	60-75 g/m ² (16-20 lb. bond)

- b. See *Supported page sizes and print area* on page 18.
- c. Press the **Enter** button to save your selection.

Note

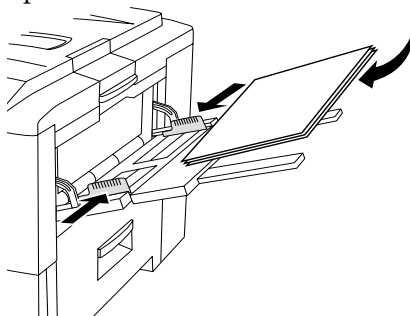
To avoid possible print-quality and media-feed problems, make sure that the loaded media matches the tray type setting.

5. Send the job to the printer.

Loading Specialty Media in the Multi-Sheet Bypass Feeder (MBF)

Xerox Phaser 35 Series Transparencies

1. Insert the transparencies (maximum capacity is 50 Standard or Premium sheets):
 - a. Place the transparencies Long-Edge Feed (LEF).
 - b. Adjust the Multi-Sheet Bypass Feeder guides for the width of your transparencies.



0748-08

2. Open the Side Output Tray on the left side of the printer.
3. The front panel prompts you to select the loaded media type and size.
 - a. Press the **Value** buttons until **2135 Transparency** is selected.
 - b. Press the **Enter** button to save your selection.
 - c. Press the **Value** buttons to select a size:
 - Letter LEF (Long-Edge Feed)
 - A4 LEF (Long-Edge Feed)
 - d. Press the **Enter** button to save your selection.
4. Send the job to the printer.

Envelopes

Guidelines for envelope printing:

Caution

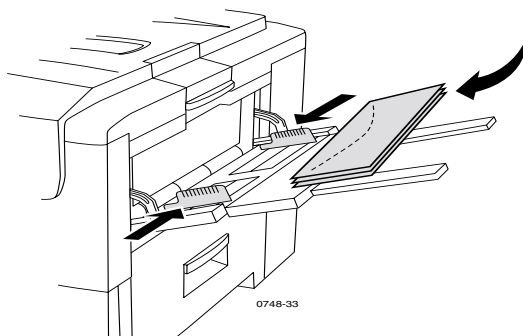
Never use envelopes with windows or metal clasps; they will damage the printer.

- Envelopes must be fed Long-Edge Feed (LEF).
- Do not print on the back of the envelope.
- Keep unused envelopes in their packaging to avoid the effects of moisture and dryness, which can affect print quality and cause wrinkling.
- Many applications include a tool for creating an envelope document. For example, Microsoft Word includes an **Envelopes and Labels** feature in the **Tools** menu. Make sure that you select **Face Up**; select the feed method with the image centered; and unselect **Clockwise Rotation**.
- Load a maximum of 10 envelopes at a time.
- No exposed gummed surfaces.
- Single-sided printing only.

Note

- This printer is not designed to handle high-capacity production envelope printing.
- Envelopes may wrinkle depending on weight and stiffness of the envelope.

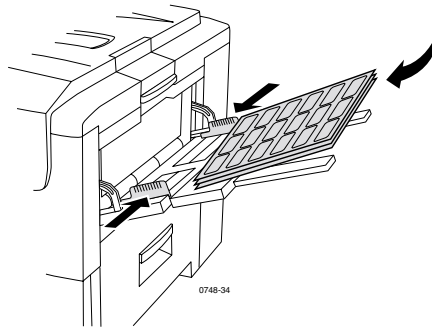
1. Insert the envelopes (maximum capacity is 10):
 - a. Long end enters *first*.
 - b. Place the side to be printed *face-up*. (The dotted lines shown below indicate the correct orientation of the flap beneath the envelope.)



2. Adjust the Multi-Sheet Bypass Feeder guides for the width of your envelopes.
3. Open the Side Output Tray on the left side of the printer.
4. The front panel prompts you to select the loaded media type and size.
 - a. Press the **Value** buttons to select **Envelopes**. Press the **Enter** button to save your selection.
 - b. Press the **Value** buttons to select the appropriate size. Press the **Enter** button to save your selection.
5. Make a test print from your application to confirm the correct orientation of your envelope.
6. Send the job to the printer.

Xerox Phaser Color Laser Labels and Xerox Phaser Premium Business Cards

1. Insert the label sheets or business cards (maximum capacity is 30 sheets).
 - a. Place the side to be printed **face-up**.
 - b. Labels should be fed Long-Edge Feed (LEF).
 - c. Business cards may only be fed Short-Edge Feed (SEF).



- d. Do not use sheets with missing labels or business cards.
2. Adjust the Multi-Sheet Bypass Feeder guides for the width of your Xerox Phaser Color Laser Labels or Xerox Phaser Premium Business cards.
 3. Open the Side Output Tray on the left side of the printer.
 4. The front panel prompts you to select the loaded media type and size.
 - a. Press the **Value** buttons to scroll to **Labels** or **Business Cards**. Press the **Enter** button to save your selection.
 - b. Press the **Value** buttons to select the appropriate size. Press the **Enter** button to save your selection.
 5. Send the job to the printer.

Automatic 2-Sided Printing From the Paper Tray

Automatic 2-sided printing is available from all trays; it is not available from the Multi-Sheet Bypass Feeder. To use automatic 2-sided printing, the duplex option must be installed in the printer. For best results with 2-sided printing, use 90 g/m² (24 lb. bond) laser paper.

Automatic 2-sided printing is available for all paper sizes except A6. Use only plain paper or heavy paper. Paper weight must be between 75-120 g/m² (20-32 lb. bond).

Note

See Manual 2-Sided Printing (*page 39*) for information about duplexing heavier paper weights.

For best results with automatic 2-sided printing, do not use heavy toner coverage on the even-numbered pages of your print job.

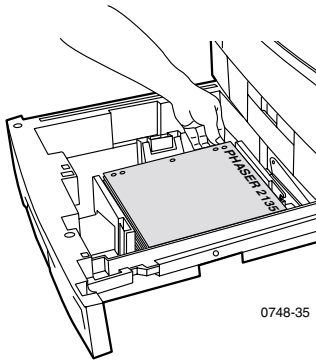
Caution

Use only laser bond paper for automatic 2-sided printing in the Universal Tray. **Do not use** any specialty media (such as glossy coated paper) to print automatic 2-sided printing. Damage caused by using unsupported media for 2-sided printing is not covered by the printer's warranty.

- Load 75-120 g/m² (20-32 lb. bond) paper in the Universal Tray.
- The front side is **face-up** in the tray.

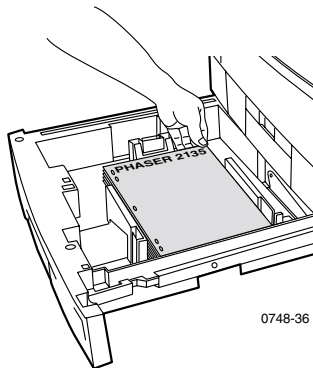
Long-Edge Feed (LEF)

- The top of the first page to be printed should be toward the back of the printer.
- It is strongly recommended that you use long-edge feed (LEF) for Letter, A4, and JIS B4 paper sizes.



Short-Edge Feed (SEF)

- Place the top of the first page to be printed on the left side as you face the printer.

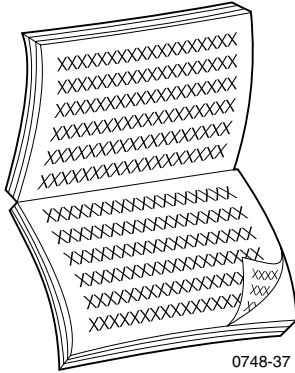


1. Re-insert the Universal Tray.

2. From the driver:

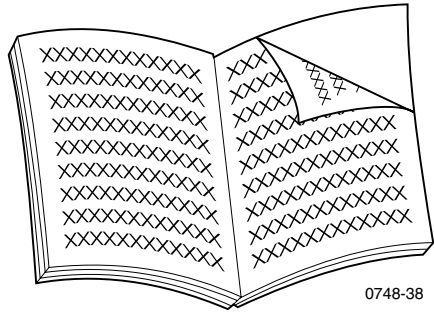
Under **2-Sided Printing**, select the binding preference *how the page turns*.

- a. Long-Edge binding or **Flip on long edge**, where Landscape orientation is **(a)** and Portrait orientation is **(b)**.



0748-37

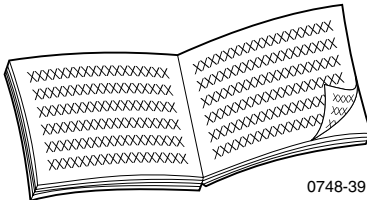
(a)



0748-38

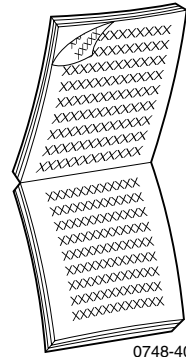
(b)

- b. Short-Edge binding or **Flip on short edge**.



0748-39

(a)



0748-40

(b)

3. Send the job to the printer.

Manual 2-Sided Printing

Manual 2-sided printing can be done from the Multi-Sheet Bypass Feeder (MBF) or from the universal trays.

Media Specifics

- Use only the following paper types for manual 2-sided printing:
 - Plain paper
 - Heavy paper
 - Glossy paper
 - Thick card stock
 - Thin card stock
- For the best opacity and feed reliability, use laser paper that is 90 g/m² (24 lb. bond) paper.
- 2-sided printing on specialty media can shorten the life of printer components.
- For best results, do not use heavy toner coverage on Side-1 of a manual 2-sided print. Increase the top margin on Side-1 to at least 12 mm (or 0.5 in.).
- Print quality may be degraded on the second side of manual 2-sided prints for weights ranging from 120-203 g/m² (44-75 lb. cover, 65-112 lb. index).

Printing Side 1

Note

For a multi-page document, print **odd-numbered pages for Side 1**. (This may not be available in all applications.)

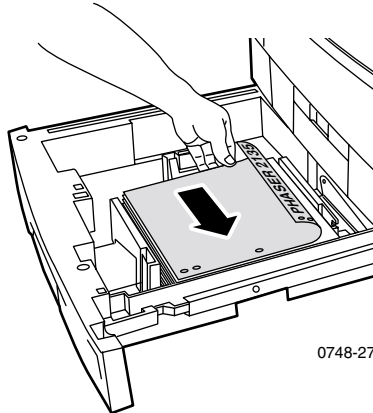
1. Load the tray or MBF (Multi-Sheet Bypass Feeder):

From a tray:

- a. Insert paper with the first side to be printed **face-down**.

Long-Edge Feed (LEF)

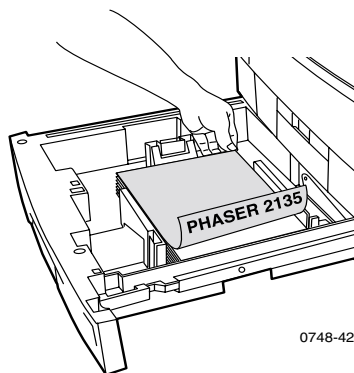
- The top of the page should be toward the back of the tray.
- It is strongly recommended that you use long-edge feed (LEF) for Letter, A4, and JIS B4 paper sizes.



0748-27

Short-Edge Feed (SEF)

- The top of the page should be toward the right of the tray.



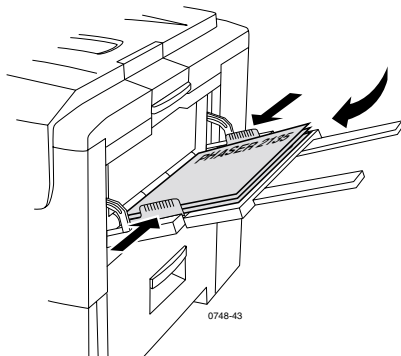
- b. Adjust the width and length guides to match the size of your paper.

From the MBF (Multi-Sheet Bypass Feeder):

- a. Load paper with the first side to be printed *face-up*.

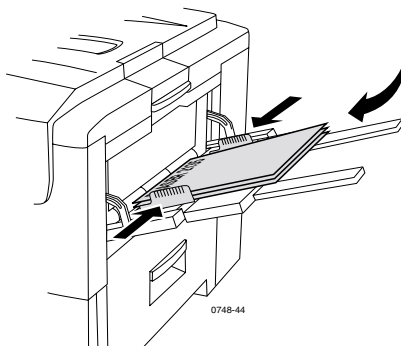
Long-Edge Feed (LEF)

- The top of the page should be toward the right of the MBF.
- It is strongly recommended that you use long-edge feed (LEF) for Letter, A4, and JIS B4 paper sizes, except for business cards, which must be fed short-edge feed (SEF).



Short-Edge Feed (SEF)

- The top of the page should be toward the printer.



- b. Adjust the Multi-Sheet Bypass Feeder guides to fit the width of your paper.

2. The front panel prompts you to select the loaded media type.
 - a. Press the **Value** buttons to select a media type:

Media Type Options

Media Type Options for 2-Sided Printing	Weight
Plain paper	75-90 g/m ² (20-24 lb. bond)
Heavy paper	90-120 g/m ² (24-32 lb. bond)
Glossy paper	121-160 g/m ² (82-108 lb. book)
Thick card stock	163-203 g/m ² (60-75 lb. cover)
Thin card stock	120-163 g/m ² (44-60 lb. cover)

Note

The following media types appear in the front panel but should not be used for 2-sided printing: Transparencies, Labels, Envelope, Business cards, Light paper.

- b. Press the **Enter** button to save your selection.
- c. If printing From the MBF (Multi-Sheet Bypass Feeder), press the **Value** buttons to select a size. Press the **Enter** button to save your selection. (If printing from a Universal Tray, paper size is automatically detected from the tray settings.) See *Supported page sizes and print area* on page 18.

Printing Side 2

Note

For a multi-page document, print **even-numbered pages for Side 2**. (This may not be available in all applications.)

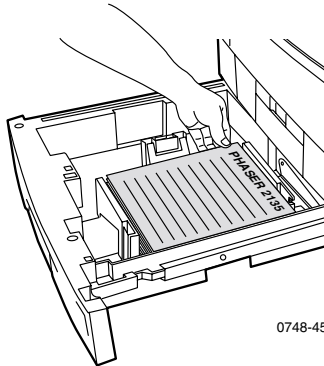
1. Load the tray or MBF (Multi-Sheet Bypass Feeder):

From a tray:

- a. Insert paper with the **second side to be printed *face-down***.

Long-Edge Feed (LEF)

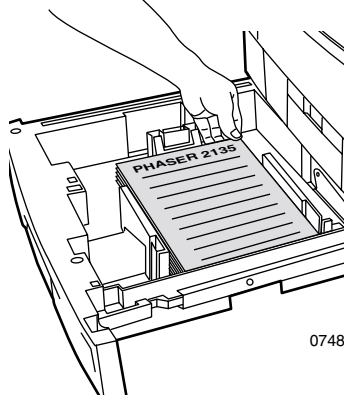
- The top of the page should be toward the back of the tray
- It is strongly recommended that you use long-edge feed (LEF) for Letter, A4, and JIS B4 paper sizes.



0748-45

Short-Edge Feed (SEF)

- The top of the page should be toward the left of the tray.



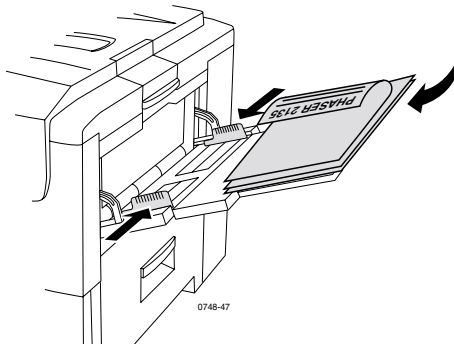
- b.** Adjust the width and length guides to match the paper size.

From the MBF (Multi-Sheet Bypass Feeder):

- a.** Load the second side to be printed *face-up*.

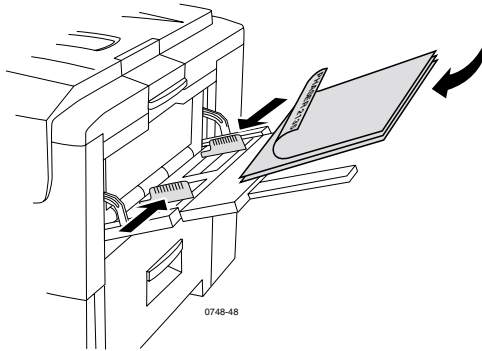
Long-Edge Feed (LEF)

- The top of the page should be toward the right of the MBF.
- It is strongly recommended that you use long-edge feed (LEF) for Letter, A4, and JIS B4 paper sizes, except for business cards, which must be fed short-edge feed (SEF).



Short-Edge Feed (SEF)

- The top of the page should be toward the printer.



- b. Adjust the width and length guides to match the paper size.

2. The front panel prompts you to select the loaded media type.
 - a. Press the **Value** buttons to select a media type:

Media Type Options

Media Type Options for 2-Sided Printing	Weight
Plain paper	75-90 g/m ² (20-24 lb. bond)
Heavy paper	90-120 g/m ² (24-32 lb. bond)
Glossy paper	121-160 g/m ² (82-108 lb. book)
Thick card stock	163-203 g/m ² (60-75 lb. cover)
Thin card stock	120-163 g/m ² (44-60 lb. cover)

Note

The following media types appear in the front panel but should not be used for 2-sided printing: Transparencies, Labels, Envelope, Business cards, Light paper.

- b. Press the **Enter** button to save your selection.
- c. If printing From the MBF (Multi-Sheet Bypass Feeder), press the **Value** buttons to select a size. Press the **Enter** button to save your selection. (If printing from a Universal Tray, paper size is automatically detected from the tray settings.) See *Supported page sizes and print area* on page 18.

Troubleshooting Print Quality Problems

To reduce possible print problems:


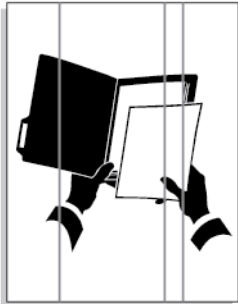
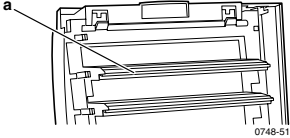
- Maintain a stable temperature and relative humidity for the printer.
- Use only the media recommended for this printer; see *page 5*.
- Align the paper edge guides in the paper tray to fit the media.
- Protect the imaging drum from prolonged exposure to direct light.
- Print the Printer Diagnostics pages to help you troubleshoot print problems:
 - On the front panel, press the **Menu** buttons to scroll to **Support**; press the **Item** buttons to scroll to **Print Diagnostic Pages**.
 - Press **Enter** to print the pages.

Note

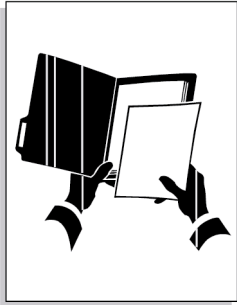
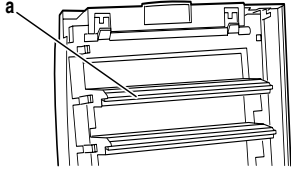
Also observe the procedures for cleaning the printer and adjusting the Color Balance outlined in *Cleaning the Printer* in the *Advanced Features and Troubleshooting Manual* available on the CD-ROM.

If the information provided in this section does not solve your print problem, refer to *Getting Help* on page 61.

Print Defects and Potential Remedies

Print Quality Problem	Common Causes	Potential Remedies
<p>Background Smudges</p> <p>Unwanted black and/or colored or shaded areas that appear on the page.</p>  <p>0748-49</p>	<ul style="list-style-type: none"> ■ Printer not correctly set to the proper media type. ■ The printer is exposed to direct sunlight. ■ Toner is on fuser roll. ■ If the problem occurs in one color, an imaging drum may be damaged. 	<ul style="list-style-type: none"> ■ Set the printer driver and front panel to the appropriate media type. ■ Place the printer in a location out of the sunlight. May need to replace the imaging drum of that color. ■ Print blank pages until smudges disappear. ■ Replace imaging drum of that color.
<p>Dark Vertical Lines</p> <p>Black or colored vertical lines that streak the page.</p>  <p>0748-50</p>	<ul style="list-style-type: none"> ■ A light emitting diode (LED) bar is dirty. ■ If the problem occurs in only one color, an imaging drum may be scratched, dirty or damaged. ■ Dry toner is on the Fuser rollers. 	<ul style="list-style-type: none"> ■ Clean each of the LED bars (a) using the cleaning pad supplied with the toner cartridge, or an alcohol wipe from the Cleaning Kit.  <p>0748-51</p> ■ Remove and inspect the imaging drum of the problem color. Replace it if any scratches or damage are visible. ■ Print blank pages until the lines disappear. If they do not disappear, replace the Fuser.

Print Defects and Potential Remedies (cont'd.)

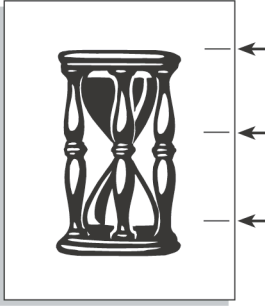
Print Quality Problem	Common Causes	Potential Remedies
<p>Light Vertical Lines</p> <p>Light areas (without color or the wrong color) that streak the page.</p>  <p>0748-52</p>	<ul style="list-style-type: none"> An LED bar is dirty. If the problem occurs in only one color, an imaging drum may be scratched, dirty or damaged. 	<ul style="list-style-type: none"> Clean each of the LED bars (a) using the cleaning pad supplied with the toner cartridge, or an alcohol wipe from the Cleaning Kit. Replace the corresponding imaging drum.  <p>0748-51</p>

Repeating Defects

Marks recur uniformly at any of these evenly spaced intervals:

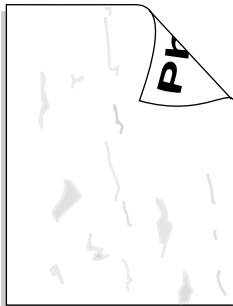
<ul style="list-style-type: none"> Every 143 mm or 5.625 inches of any color 	<ul style="list-style-type: none"> The fuser may be damaged. 	<ul style="list-style-type: none"> Remove and inspect the fuser; if damaged, replace with a new fuser.
<ul style="list-style-type: none"> Every 94 mm or 3.75 inches of same color 	<ul style="list-style-type: none"> One of the rollers in an imaging drum are scratched or damaged. 	<ul style="list-style-type: none"> Replace the corresponding imaging drum.
<ul style="list-style-type: none"> Every 50 mm or 2.0 inches of same color 	<ul style="list-style-type: none"> One of the rollers in an imaging drum are scratched or damaged. 	<ul style="list-style-type: none"> Replace the corresponding imaging drum.
<ul style="list-style-type: none"> Every 58 mm or 2.25 inches of same color 	<ul style="list-style-type: none"> The transfer belt may be damaged. 	<ul style="list-style-type: none"> Replace the transfer belt.

Print Defects and Potential Remedies (cont'd.)

Print Quality Problem	Common Causes	Potential Remedies
<ul style="list-style-type: none"> Every 44 mm or 1.75 inches of the same color 	<ul style="list-style-type: none"> One of the rollers in an imaging drum are scratched or damaged. 	<ul style="list-style-type: none"> Replace the corresponding imaging drum.
 <p style="text-align: center;">0748-53</p>		

Back-Side Contamination

Toner has been deposited on the non-imaged side of a print.



0748-54


There is excess toner in the paper path.

- The fuser has contamination.

To clean up any residual toner, print blank sheets of paper.

- If the problem persists, inspect the fuser for excess toner and replace.

Print Defects and Potential Remedies (cont'd.)

Print Quality Problem	Common Causes	Potential Remedies
<p>Color Misregistration</p> <p>Color has shifted outside of the designated area or has been superimposed over another color area.</p>  <p>0748-55</p>	<p>An LED bar may be misaligned.</p> <ul style="list-style-type: none">■ An imaging drum may be misaligned.■ The transfer belt may be misaligned.	<p>Turn the printer off, wait 10 seconds, turn the printer on. The printer performs an automatic registration.</p> <ul style="list-style-type: none">■ Reseat the Imaging Drum of the color that has misregistered.■ Reseat the Transfer Belt if all the colors have misregistered. Replace if necessary.

Clearing Media Jams

Preventing media jams

- To reduce the frequency of paper and transparency jams, use only Xerox Phaser paper, Xerox Phaser labels, and Xerox Phaser 35 Series Transparencies. See page *page 5* for ordering supplies.
- Fan media prior to loading in the Universal Tray or Multi-Sheet Bypass Feeder.
- For supported media sizes refer to *page 23*.
- For proper media loading instructions refer to *page 32*.

What causes a media jam?

Media jams occur most often in these conditions:

- Incorrect media type selection in printer driver.
- The media does not meet specifications.
- The media is moist, bent, or folded.
- The media is not loaded properly.
- The Universal Tray is not adjusted properly for the media (side and rear guides).
- The Universal Tray is overfilled. Make sure media does not exceed tray capacity.
- The loaded media size is not supported by the paper tray.
- The media weights are not consistent with paper tray and side output tray media capacities.

Clearing Media Jams

When a media jam occurs, printing stops and a message is displayed on the front panel. The message indicates the location of the jam and the corrective action. More than one sheet of media may be jammed in the paper path. Refer to the labels on the printer to clear the jam.

Caution

To avoid possible injury, do not touch the printer's fuser rollers; they may be hot.

Do not touch the shiny green surface on the under-side of the imaging drum.

Be careful not to touch the toner on jammed media as the toner has not been fused to the paper and rubs off.

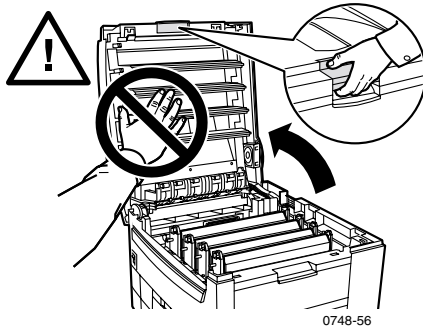
Note

Inside the printer, all handles and points of user interaction for removing jammed media are **green**.

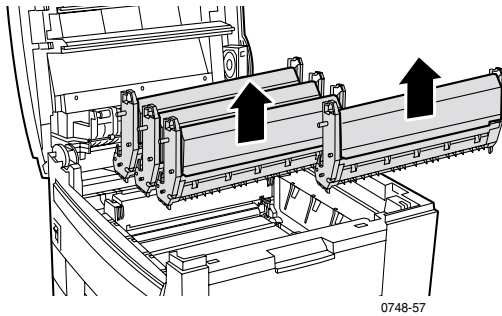
Top Cover Jam

Follow these steps to clear a jam at the top cover:

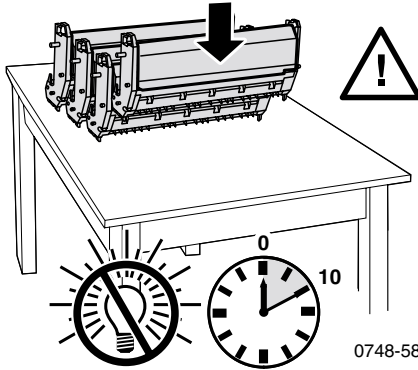
1. Open the top cover. **Avoid touching or handling the LED bars.**



2. Using the black handles, lift out each toner cartridge/image drum assembly.



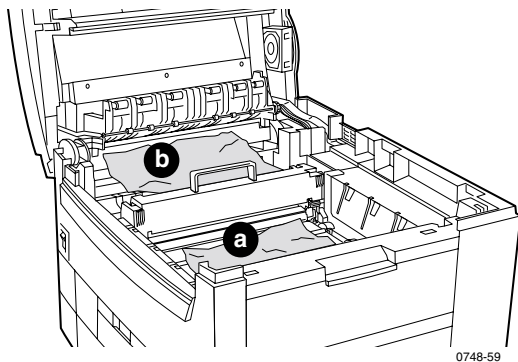
3. Place each toner cartridge/imaging drum assembly on a flat surface. **Avoid exposure to light for more than 10 minutes.**



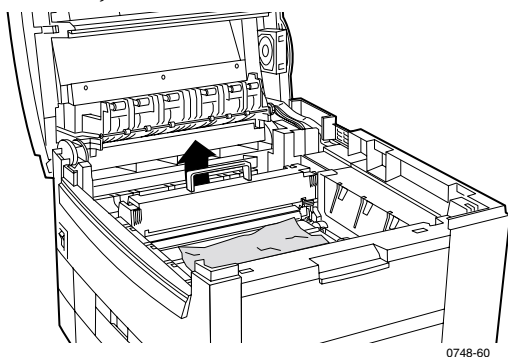
Caution

Do not place the imaging drums (or the bottom of each toner cartridge/imaging drum assembly) on the edge of the table or an uneven or rough surface. Exposure to rough or uneven surfaces may result in print quality defects.

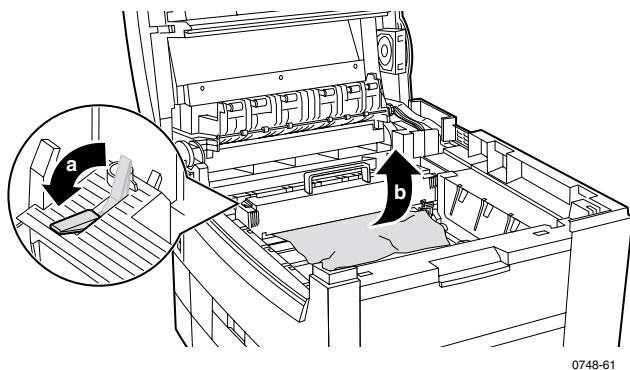
4. Locate the jammed media in the transfer belt area **(a)** or the fuser area **(b)**.



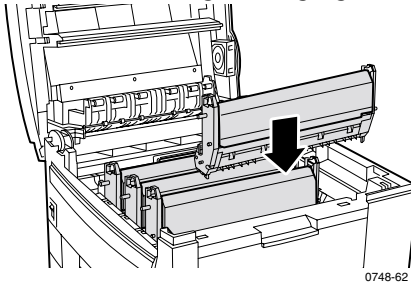
- a. Remove the jammed media from the transfer belt area.



- b. Remove the jammed media from the fuser area by **(a)** pulling up the left release lever, and **(b)** pulling out the media. If necessary, remove the fuser for better access to the jammed media.

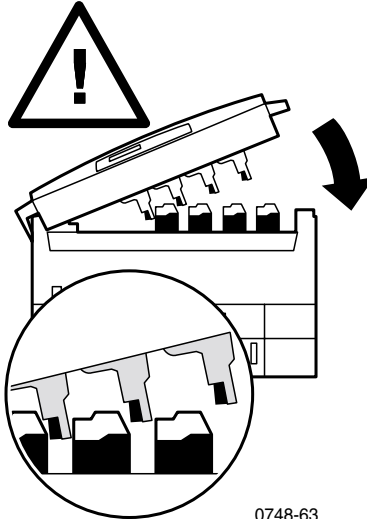


5. Replace the toner cartridges/imaging drum assemblies.



0748-62

6. Slowly lower the top cover into place.

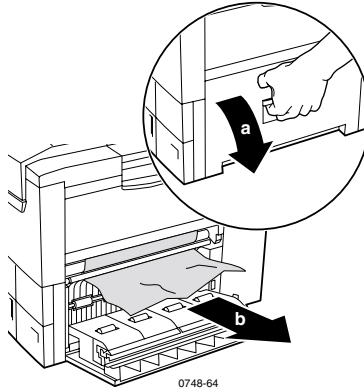


0748-63

Right Door Jam

Follow these steps to clear a jam from a right door:

1. Open the right side door **(a)** and remove jammed paper or transparencies **(b)**.

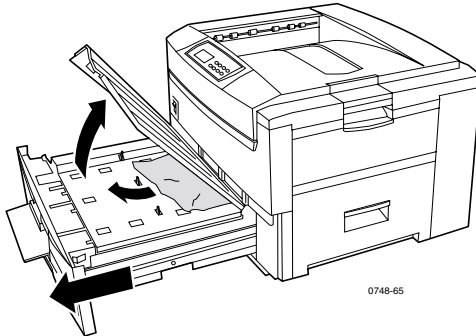


2. Close the right door.

Duplex Unit Jam

Follow these steps to clear a jam from the duplex unit:

1. Pull the duplex unit straight out until it stops. Tray 1 pulls out with the duplex unit.
2. Lift the lid, remove the jammed paper.

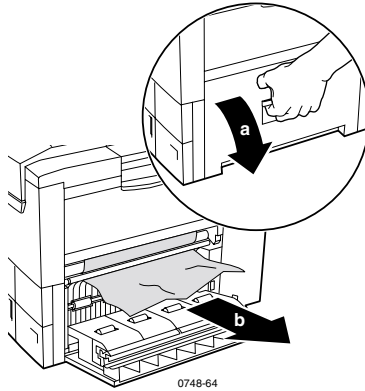


3. Reinsert the tray 1/duplex unit.

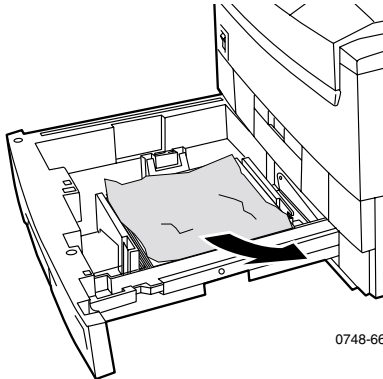
Tray Misfeed

Follow these steps to clear a misfeed from a right door or universal tray:

1. Open the right side door **(a)** and remove jammed paper or transparencies **(b)**.



2. Pull to open the Universal Tray and remove any jammed paper or transparencies.



3. Reinsert the Universal Tray.

Getting Help

Refer to the following resources for information about your printer.

The Front Panel

- Offers you a suite of tools along with information pages to help solve printing quality, media feed, supplies, and printer administration problems.
 - On the front panel, press the **Menu** buttons to scroll to **Support**; press the **Item** buttons to scroll to **Print Help Guide**.
 - Press **Enter** to print the pages.

Printer CD-ROM

- *Phaser 2135 Color Printer User Guide*
- *Advanced Features and Troubleshooting Manual*
- *Setup Guide* poster
- Printer drivers
- Driver Installers (Mac, Windows, OS/2)
- Read Me release notes
- Internet Services Help (HTML documentation)
- CentreWare Font Download Utility
- Disk Generating Utility (creates floppy disks of the drivers)
- Driver Update Utility
- Font Manager
- Adobe Acrobat Reader
- Adobe Type Manager (ATM)

Xerox web site

www.xerox.com/officeprinting/

- Product, supplies, and service information
- Downloading printer drivers
- Finding your local reseller
- On-line documentation

infoSMART™ Knowledge Base

www.xerox.com/officeprinting/infoSMART/

- infoSMART™ is the same troubleshooting knowledge base used by Xerox Customer Support staff to provide the latest technical information on:
 - Application issues
 - Networking issues
 - Printer errors
 - Print-quality issues
 - Troubleshooting

Color Connection

www.colorconnection.xerox.com

Color resource for tools and information to help you get the most from your color printer:

- Interactive tutorials and helpful tips for using your printer and favorite software applications.
- Easy access to on-line technical support.
- Customized features to meet your individual needs.

Other on-line services

Subscribe to email update notices: www.colorconnection.xerox.com

Technical Support www.xerox.com/officeprinting/support

To find a local reseller

See www.xerox.com/officeprinting/contacts for the most updated information.

U. S.
1-800-835-6100

Canada
1-877-662-9338

**Outside U.S. and
Canada**
Contact your local
Xerox office for a list of
local resellers

Customer Support Center

See www.xerox.com/officeprinting/contacts for the most updated information.

U. S. and Canada 1-800-835-6100	Finland 0203 206 30	Norway 022 723 801
Argentina (54) 11 478 5481	France 01 69 86 8137	Peru 1 265 7328
Australia 1-800-811-177	Germany 0180 525 3535	Puerto Rico 1-800-835-6100
Austria 01526 0404	Hong Kong 25132655	Singapore 1-800-356-5565
Belgium 02 720 9602	India (South Asia) 91 80 554 3142	ASEAN (65) 251 3006
Bolivia 13 469 090	Italy 02 45 287 000	Spain 0902 239 272
Brazil 5511 3741 6366	Japan 03 3448 3040	Sweden 08 299 071
Chile 800 200 600	Korea 2 528 4661	Switzerland 01 212 2212
China (86) 800 820 5146	Luxembourg 0400847	Taiwan (02) 2757 1567
Colombia 1 343 1943	Mexico 5 628 1000	Thailand 2 645 4406
Denmark 044 533 444	Middle East 44 1908 68187	Turkey 0212 211 3650
Eastern Europe 44 1908 68187	Netherlands (040) 267 0440	UK 01 908 681 707
Ecuador 2 220 864	New Zealand 0 800 449 177	Venezuela 2 265 2625

Specifications

Material Safety Data Sheets Color Toner Cartridges

Manufacturer: Xerox Corporation, Office Printing Business
P. O. Box 1000, Wilsonville, Oregon, 97070-1000
Preparation Date: August 22, 2000

Section 1 – Product Identification

Product Names	Part Numbers
Black Toner Cartridge	016-1913-00, 016-1917-00
Cyan Toner Cartridge	016-1914-00, 016-1918-00
Magenta Toner Cartridge	016-1915-00, 016-1919-00
Yellow Toner Cartridge	016-1916-00, 016-1920-00
Supplies Start up kit	2135SS

Product Use: XEROX Phaser® 2135 Color Printers

SECTION 2 - INFORMATION ON INGREDIENTS

Ingredients (percent by weight)	CAS number
Polymer (85-95 percent)	Trade Secret
Wax (2-10 percent)	Trade Secret
Black toner: carbon black (2-10 percent)	1333-86-4
Cyan toner: cyan pigment (2-10 percent)	Trade secret
Magenta toner: magenta pigment (2-10 percent)	Trade secret
Yellow toner: yellow pigment (2-10 percent)	Trade secret

SECTION 3 - HAZARDS IDENTIFICATION

ROUTES OF EXPOSURE: Toner powders are encased in a cartridge. Minimal exposure through inhalation or skin contact is expected when used as intended.

POTENTIAL HEALTH EFFECTS: Health effects from this product are expected to be negligible, when product is used as intended. See Section 11, Toxicology Information.

Immediate Effects:

INHALATION: Minimal irritation to respiratory tract, as for any non-toxic dust

SKIN: Not expected to cause skin irritation

EYES: Not expected to cause eye irritation

INGESTION: Not an expected route of exposure

Chronic Effects: None known

SIGNS AND SYMPTOMS OF EXPOSURE: Minor irritation to respiratory tract.

MEDICAL CONDITIONS AGGRAVATED BY EXPOSURE: None known.

SECTION 4 - FIRST AID MEASURES

INHALATION: Remove person to fresh air. Seek medical attention if symptoms occur.

EYES: If particles get into eye, flush thoroughly with water. Seek medical attention if symptoms occur.

SKIN: Wash thoroughly with soap and water. Seek medical attention if symptoms occur.

INGESTION: Dilute stomach contents with several glasses of water. Seek medical attention if symptoms occur.

SECTION 5 - FIRE FIGHTING MEASURES

FLASH POINT: Not applicable

FIRE & EXPLOSION HAZARDS: Toner is a combustible powder. Like most organic powders, it can form explosive mixtures when dispersed in air.

EXTINGUISHING MEDIA: Water, dry chemical, carbon dioxide, or foam.

FIRE FIGHTING INSTRUCTIONS: Avoid inhalation of smoke. As for any fire, wear protective clothing and self-contained breathing apparatus.

SECTION 6 - ACCIDENTAL RELEASE MEASURES

SPILL OR LEAK: Sweep up or vacuum spilled toner and carefully transfer into sealable waste container. Sweep slowly to minimize generation of dust during clean up. If a vacuum is used, the motor must be rated as dust tight. A conductive hose bonded to the machine should be used to reduce static buildup. Clean up residue if necessary with soap and water. Wash or dry clean garments after removing loose toner.

SECTION 7 - HANDLING AND STORAGE

HANDLING: No special precautions, when used as intended.

STORAGE: Avoid high temperatures.

SECTION 8 - EXPOSURE CONTROL - PERSONAL PROTECTION

No special personal protection indicated, when used as intended in Xerox Phaser® color printers.

THRESHOLD LIMIT VALUE (TLV): 10 mg/m³ (total dust)

PERMISSIBLE EXPOSURE LIMIT (PEL): 15 mg/m³ (total dust);
5 mg/m³ (respirable dust)

SHORT-TERM EXPOSURE LIMIT (STEL): None established

CEILING LIMIT: None established

XEROX EXPOSURE LIMIT (XEL): 2.5 mg/m³ (total dust);
0.4 mg/m³ (respirable dust)

SECTION 9 - PHYSICAL AND CHEMICAL PROPERTIES

APPEARANCE/ODOR: Black, blue, red, or yellow powders/faint odor

BOILING POINT: Not applicable

SOLUBILITY IN WATER: Insoluble

EVAPORATION RATE: Not applicable

VAPOR DENSITY (Air = 1): Not applicable

VOLATILE: Not applicable

SOFTENING RANGE: 110-140 degrees F (43-60 degrees C)

MELTING POINT: Not available

SPECIFIC GRAVITY (Water = 1): Approximately 1

VAPOR PRESSURE (mm Hg): Not applicable

pH: Not applicable

SECTION 10 - STABILITY AND REACTIVITY

STABILITY: Stable.

INCOMPATIBILITY WITH OTHER MATERIALS: Strong oxidizers

HAZARDOUS POLYMERIZATION: Will not occur

HAZARDOUS DECOMPOSITION PRODUCTS: During a fire, toxic gases may be generated by thermal decomposition or combustion.

SECTION 11 - TOXICOLOGICAL INFORMATION

This material has been evaluated by Xerox Corporation. The toxicity data noted below is based on test results of similar toners.

Oral LD₅₀: > 5 g/kg (rats), practically non-toxic

Dermal LD₅₀: > 5 g/kg (rabbits), practically non-toxic

Inhalation LC₅₀: > 5 mg/l (rats; 4 hour exposure), practically non-toxic

Inhalation LD₅₀: > 20 mg/l (rats; calculated for 1 hour exposure), non-toxic per DOT

Eye Irritation: Non-irritating (rabbits)

Skin sensitization: Non-irritating (rabbits; human patch)

Human Patch: Non-irritating, non-sensitizing

Mutagenicity: No mutagenicity detected in Ames assay

Carcinogens: None present

Additional Information: The results obtained from a Xerox-sponsored Chronic Toner Inhalation Study demonstrated no lung changes in rats for the lowest (1 mg/m³) exposure level (i.e., the level most relevant to potential human exposure). A very slight degree of fibrosis was noted in 25 percent of the animals at the middle (4 mg/m³) exposure level, while a slight degree of fibrosis was noted in all the animals at the highest (16 mg/m³) exposure level.

The findings are attributed to *lung overloading*, a generic response to excessive amounts of any dust retained in the lungs for a prolonged period. This study was conducted using a special test toner to comply with EPA testing protocol. The test toner was ten times more respirable than commercially available Xerox toner and would not be functionally suitable for Xerox equipment.

SECTION 12 - ECOLOGICAL INFORMATION

Aquatic 96 hour LC₅₀: > 1000 mg/l (fathead minnows; rainbow trout)

SECTION 13 - DISPOSAL CONSIDERATIONS

These materials are not RCRA hazardous wastes as specified in 40 CFR 261. State and local waste disposal requirements, however, may be more restrictive. Dispose in accordance with all federal, state, and local regulations. Incinerate only in a closed container.

SECTION 14 - TRANSPORT INFORMATION

DOT: Not regulated.

SECTION 15 - REGULATORY INFORMATION

TSCA: All components of these toners have been manufactured in compliance with TSCA.

RCRA: TCLP metals below hazardous waste levels set by EPA.

CALIFORNIA PROPOSITION 65: Not regulated

NEW JERSEY TRADE SECRET REGISTRATION NUMBERS: (See Section 2: Ingredients)

Polymer: 80100252-5001P

Wax: 80100252-5012P

Cyan pigment: 80100252-5004P

Magenta pigment: 80100252-5011P

Yellow pigment: 80100252-5010P

CANADIAN WHMIS: These toners are not regulated as controlled products under the Workplace Hazardous Material Information System (WHMIS).

SECTION 16 - OTHER INFORMATION

NFPA 704: Health-0, Fire-3, Reactivity-0 (All colors)

Original preparation date: 8/22/00

Xerox Corporation

Office Printing Business

Environmental, Health & Safety

P.O. Box 1000

Mail Stop 60-512

Wilsonville, Oregon 97070

Safety Information: 800-828-6571

Health Emergency: 716-422-2177

Transportation Emergency (Chemtrec): 800-424-9300

Material Safety Data Sheets

CleanTex® Alcopad

SECTION 1 – PRODUCT IDENTIFICATION

Trade name: Alcopad Part Number: 016-1595-00

Product identification numbers: 806B, 806C, 806H, 806T, 806Z, 806
Chemical name and synonyms: Isopropyl Alcohol
Chemical formula: $\text{CH}_2\text{CH}(\text{OH})\text{CH}_3$
Emergency telephone numbers: CHEMTREC (Transportation): 1-800-424-9300
Product Use: Xerox Phaser® 2135 Color Printer

SECTION 2 – INFORMATION ON INGREDIENTS

Component CAS# percent OSHA PEL (ppm) ACGIL TLV (ppm)
Isopropyl alcohol 67-63-0 91.0 400 400
Deionized water 7732-18-5 9.0 NA NA

SECTION 3 – HAZARDS IDENTIFICATION

Product is distributed as a single-use, presaturated pad, in which all the liquid is absorbed by the applicator. Isopropyl alcohol is a flammable liquid. Eye contact will cause local irritation and burning sensations with possible injury if not removed promptly. Repeated or prolonged contact with skin may produce irritation and cause dermatitis. Exposure above TLV may cause irritation of respiratory tract and eyes along with headaches, dizziness and CNS effects. May be harmful if swallowed.

Carcinogenicity (OSHA/NTP/IARC/ACGIH): Not Listed.

Medical Conditions Aggravated by Exposure: Not Listed.

SECTION 4 – FIRST AID MEASURES

EYE CONTACT: Flush with water for 15 minutes, including under eyelids. Get Medical help.

SKIN CONTACT: Flush with water.

INHALATION: Remove to fresh air. Keep at rest. Restore and/or support breathing as needed. Get prompt Medical attention.

INGESTION: In the unlikely event of ingestion of a wiper, first aid measures should focus on removal of the object and preventing choking. Once removed, keep affected person at rest. Call physician immediately.

SECTION 5 – FIRE-FIGHTING MEASURES

FLASH POINT (TCC): 56 degrees F

FLAMMABLE LIMITS (PERCENT BY VOLUME): LEL: NA UEL: NA

AUTOIGNITION TEMPERATURE degrees F (degrees C): NA

EXTINGUISHING MEDIA: Isopropyl-alcohol fires may be extinguished using carbon dioxide, dry chemical or alcohol foam. Water may be used to cool containers exposed to the fire.

UNUSUAL FIRE OR EXPLOSION HAZARDS: Isopropyl alcohol may release vapors which may ignite at or above flash point.

NFPA RATING: HEALTH (1)

FLAMMABILITY (3)

REACTIVITY (0)

Formulation is classified as an OSHA Class IB Flammable Liquid

NA = Not Available

SECTION 6 – ACCIDENTAL RELEASE MEASURES

Since the isopropyl-alcohol solution is completely absorbed by the applicator and the amount of isopropyl alcohol per applicator is small, the chance of a significant spill occurring is small. In the event however, that a significant amount of liquid is released, ventilate the area, especially low areas where vapors may collect, and remove all sources of ignition. Cleanup personnel need protection against liquid contact and vapor inhalation.

SECTION 7 – HANDLING AND STORAGE

Store in a clean, cool, ventilated area away from sources of ignition and oxidizing agents. Handle and store in a manner suitable for an OSHA class IB Flammable Liquid. Electrical services must meet applicable codes. Use non-sparking tools.

SECTION 8 – EXPOSURE CONTROL – PERSONAL PROTECTION

Provide ventilation to maintain TLV. Use non-sparking tools. Avoid inhalation of vapors, contact with eyes and repeated or prolonged contact with skin. Do not take internally.

SECTION 9 – PHYSICAL AND CHEMICAL PROPERTIES

BOILING POINT (80 degrees C) (180 degrees F)
PERCENT VOLATILE BY VOLUME @ 25 degrees C: 100
VAPOR PRESSURE (mmHg @ 25 degrees C): 33
EVAPORATION RATE (BUTYL ACETATE-1) >1
VAPOR DENSITY (AIR = 1): <1
FORM: liquid
PERCENT SOLUBLE IN WATER @ 25 degrees C: 100
ODOR: alcohol
SPECIFIC GRAVITY (G/CC @ 25 degrees C): 0.79
APPEARANCE OF LIQUID: clear

SECTION 10 – STABILITY AND REACTIVITY

STABILITY: Stable
HAZARDOUS POLYMERIZATION: Will not occur.
INCOMPATIBILITIES / CONDITIONS TO AVOID: Caustics, amines, alkanolamines, aldehydes, ammonia, strong oxidizing agents and chlorinated compounds.
HAZARDOUS DECOMPOSITION PRODUCTS: Carbon monoxide

SECTION 11 – TOXICOLOGICAL INFORMATION

Not Available
Section 12 – Ecological Information
Not Available.

SECTION 13 – DISPOSAL CONSIDERATIONS

Follow Federal, State and Local Regulations.

SECTION 14 – TRANSPORT INFORMATION

DOT CLASSIFICATION: Not Regulated.

Proper Shipping Name:

Hazard Class:

UN Number:

Packing Group:

Hazard Labeling:

IATA / ICAO CLASSIFICATION: Not Regulated.

Proper Shipping Name:

Hazard Class:

UN Number:

Packing Group:

Hazard Labeling:

IMDG CLASSIFICATION: Not Regulated.

Proper Shipping Name:

Hazard Class

IMDG Page #

Packing Group:

Flash Point (degrees C):

Marine Pollutant:

SECTION 15 – REGULATORY INFORMATION

SARA TITLE III REPORTING:

Toxic Chemical (Section 313): Not Listed.

Extremely Hazardous Substance: Not Listed.

Section 302, 304, 311, 312)

Hazard Class:

Chronic Health: Yes

Acute Health: Yes

Fire Hazard: Yes

Pressure Hazard: No

Reactivity Hazard: No

TSCA INVENTORY STATUS: All components listed are on the TSCA inventory.

SECTION 16 – OTHER INFORMATION

The information provided herein is compiled from internal reports and data from professional publications. It is furnished without warranty of any kind, expressed or implied. It is intended solely to assist in evaluating suitability and proper use of the material and in implementing safety precautions and procedures. Employees should use this information as a supplement to other information gathered by them and must make independent determination of suitability and completeness of information from all sources to assure proper use of these materials. All information used must be determined by the user to be in accordance with applicable federal, state and local laws and regulations.

Prepared by:

CleanTex Products
33 Murray Hill Drive
Nanuet, NY 10954
June 1997

Material Safety Data Sheets

LED Lens Cleaner

Preparation Date: November 7, 2000

Section 1 – Product Identification

Product Name and manufacturer

LED Lens Cleaner, included in Phaser ® 2135 toner cartridge boxes. Nagahori Pharmaceutical Co., Ltd. Tokyo

Product Use: XEROX Phaser ® 2135 color printers

SECTION 2 - INFORMATION ON INGREDIENTS

Ingredients	CAS number
Ethyl alcohol	64-17-5

Product is distributed as a single-use, presaturated pad, in which all the ethyl alcohol liquid is absorbed by the paper applicator.

SECTION 3 - HAZARDS IDENTIFICATION

ROUTES OF EXPOSURE: Minimal exposure through inhalation, skin contact, or eye contact is expected when used as intended.

POTENTIAL HEALTH EFFECTS: Health effects from this product are expected to be negligible, when product is used as intended.

Immediate Effects:

Inhalation: Exposure above Threshold Limit Value (TLV) may cause irritation of respiratory tract and eyes, along with headaches, dizziness, and other central nervous system effects. These are very unlikely when product is used as intended.

Skin: May produce irritation.

Eye: Eye contact will cause irritation and burning sensation with possible injury if not removed promptly.

Ingestion: Unlikely route of exposure. May be harmful if swallowed. Choking on cleaning pad is the most significant hazard of ingestion.

Chronic Effects:

Repeated or prolonged contact with skin may produce irritation and cause dermatitis. Other chronic effects of ethyl alcohol are very unlikely, when product is used as intended.

SIGNS AND SYMPTOMS OF EXPOSURE: Skin and eye irritation, dermatitis

MEDICAL CONDITIONS AGGRAVATED BY EXPOSURE: Skin conditions such as dermatitis

SECTION 4 - FIRST AID MEASURES

INHALATION: Remove person to fresh air. Seek medical attention if symptoms occur.

EYES: Flush thoroughly with water. Seek medical attention if symptoms occur.

SKIN: Wash thoroughly with water. Seek medical attention if symptoms occur.

INGESTION: In unlikely event of ingestion of a cleaning pad, first aid measures should focus on removal of the object and preventing choking. Once removed, keep affected person at rest. Call physician immediately.

SECTION 5 - FIRE FIGHTING MEASURES

FLASH POINT: Flash point of liquid ethyl alcohol is 55 degrees F (13 degrees C)

FIRE & EXPLOSION HAZARDS: Ethyl alcohol may release vapors which may ignite at or above flash point.

EXTINGUISHING MEDIA: Dry chemical, carbon dioxide, or foam.

FIRE FIGHTING INSTRUCTIONS: Avoid inhalation of smoke. As for any fire, wear protective clothing and self-contained breathing apparatus.

SECTION 6 - ACCIDENTAL RELEASE MEASURES

SPILL OR LEAK: Since the ethyl alcohol solution is completely absorbed by the cleaning pad and the amount of ethyl alcohol per cleaning pad is small, the chance of a significant spill occurring is small. In the event, however, that a significant amount of liquid is released, ventilate the area, especially low areas where vapors collect, and remove all sources of ignition. Cleanup personnel need protection against liquid contact and vapor inhalation.

SECTION 7 - HANDLING AND STORAGE

Store in a clean, cool, ventilated area away from sources of ignition and oxidizing agents. Handle and store in a manner suitable for an OSHA class 1B flammable liquid.

SECTION 8 - EXPOSURE CONTROL - PERSONAL PROTECTION

Provide ventilation to maintain TLV. Avoid inhalation or vapors, contact with eyes, and repeated or prolonged contact with skin. Do not take internally.

THRESHOLD LIMIT VALUE (TLV): 1000 parts per million (ppm), 8 hour TWA.

PERMISSIBLE EXPOSURE LIMIT (PEL): 1000 ppm, 8 hour TWA

SHORT TERM EXPOSURE LIMIT (STEL): None established

SECTION 9 - PHYSICAL AND CHEMICAL PROPERTIES

APPEARANCE/ODOR: Ethyl alcohol is a clear, colorless liquid with a characteristic odor. Cleaning pad is a white paper pad saturated with ethyl alcohol.

The following data is for ethyl alcohol liquid

BOILING POINT: 173 degrees F (78 degrees C)

SOLUBILITY IN WATER: Miscible

EVAPORATION RATE (Butyl acetate = 1): >1

VAPOR DENSITY (Air = 1): 1.59

PERCENT VOLATILE: Approximately 100 percent

SPECIFIC GRAVITY (Water = 1): Approximately 0.789 @ 68 degrees F (20 degrees C)

VAPOR PRESSURE (mm Hg): 43 mm @ 68 degrees F (20 degrees C)

SECTION 10 - STABILITY AND REACTIVITY

STABILITY: Stable.

INCOMPATIBILITY WITH OTHER MATERIALS: Strong oxidizers

HAZARDOUS POLYMERIZATION: Will not occur

HAZARDOUS DECOMPOSITION PRODUCTS: During a fire, toxic gases may be generated by thermal decomposition or combustion.

SECTION 11 - TOXICOLOGICAL INFORMATION

Not available.

SECTION 12 - ECOLOGICAL INFORMATION

Not available

SECTION 13 - DISPOSAL CONSIDERATIONS

When cleaning pad is used as intended and discarded, product is not a RCRA hazardous waste as specified in 40 CFR 261. State and local waste disposal requirements, however, may be more restrictive. Dispose in accordance with all federal, state, and local regulations.

SECTION 14 - TRANSPORT INFORMATION

DOT: Not regulated.

SECTION 15 - REGULATORY INFORMATION

TSCA: Ethyl Alcohol is listed on the EPA Toxic Substances Control Act (TSCA) Inventory.

SECTION 16 - OTHER INFORMATION

NFPA 704: Health-1, Fire-3, Reactivity-0

Original preparation date: 11/7/00

Xerox Corporation
Office Printing Business
Environmental, Health & Safety
P.O. Box 1000
Mail Stop 60-512
Wilsonville, Oregon 97070

MSDS information: 503-685-4093

Transportation Emergency (Chemtrec): 800-424-9300

Index

A

automatic 2-sided printing 36
duplex unit part number 8

B

black and white print mode 14

C

cleaning kit
part numbers 7
Color Connection 62
color correction print modes
adjusting 14

D

duplex unit part number 8

E

email notification service 63
enhanced print mode 13
envelopes
printing 33

F

fuser part number 4

G

getting help
front panel 61
infoSMART software 62
printer CD-ROM contents 61

H

hard drive part number 8

high capacity toner cartridge part number 2

I

imaging drums part number 3

infoSMART software 62

internal hard drive part number 8

L

labels

part numbers 6

printing 35

printing tips 36

M

manual 2-sided printing 39

media

loading Multi-Sheet Bypass Feeder (MBF) 29

supported sizes 18

universal tray usage 20

media jams

prevention of 53

memory, additional

part number 9

mode 13

Multi-Sheet Bypass Feeder (MBF)

loading 29

media specifics 27

P

page size, image area

supported sizes 18

paper

part numbers 5

printing tips 16

universal tray usage 20

paper feed roller kit

part numbers 3

- paper numbers
 - paper feed roller kit 3
- part number
 - additional memory 9
 - automatic 2-sided printing unit 8
 - cleaning kit 7
 - fuser 4
 - high capacity toner cartridge 2
 - imaging drums 3
 - internal hard drive 8
 - labels 6
 - paper 5
 - printer station 9
 - standard toner cartridges 2
 - transfer belt 4
 - transparency 6
 - universal tray 5
- prepunched paper
 - printing 36
- print quality
 - troubleshooting 48
- printer station
 - part number 9
- printing tips
 - labels 36
 - paper 16

S

- specialty media
 - overview 27
- standard print mode 13
- standard toner cartridges part number 2
- supplies and accessories
 - ordering 1

T

- transfer belt
 - part number 4

- transparency
 - loading into universal tray 23
 - part numbers 6
 - universal tray usage 20
- transparency print mode 13
- troubleshooting
 - getting help 61
 - print quality 48
 - using front panel to get help 61
 - using infoSMART Software 62
 - using printer CD-ROM contents 61
- two-sided printing
 - automatic 36
 - manual 39

U

- universal
 - loading into universal tray 23
- universal tray
 - loading media 23
 - paper specifics 20
 - part number 5
 - transparency specifics 20

X

- Xerox web site 62

Tektronix

COLOR PRINTERS BY

XEROX



Free Manuals Download Website

<http://myh66.com>

<http://usermanuals.us>

<http://www.somanuals.com>

<http://www.4manuals.cc>

<http://www.manual-lib.com>

<http://www.404manual.com>

<http://www.luxmanual.com>

<http://aubethermostatmanual.com>

Golf course search by state

<http://golfingnear.com>

Email search by domain

<http://emailbydomain.com>

Auto manuals search

<http://auto.somanuals.com>

TV manuals search

<http://tv.somanuals.com>