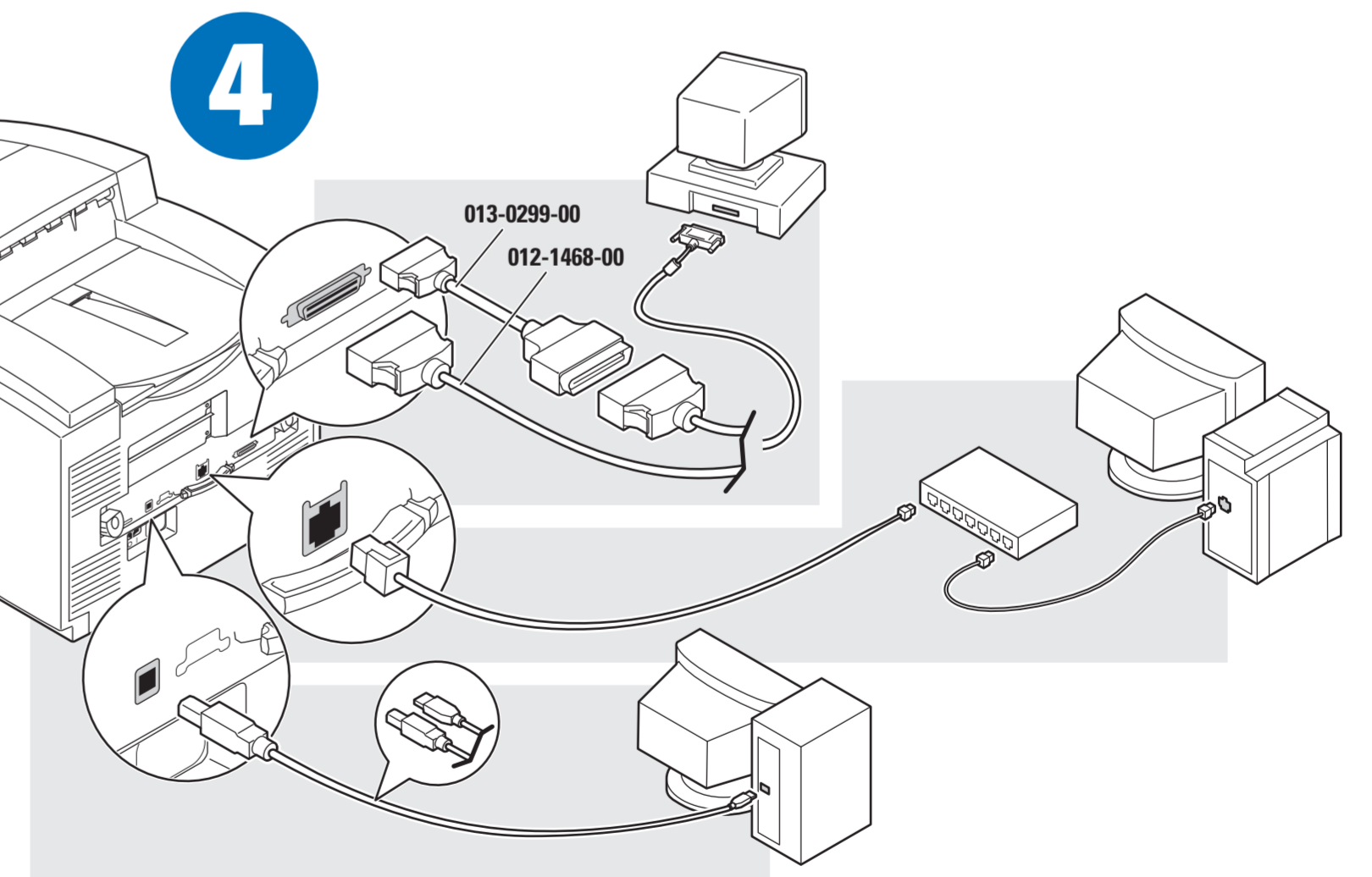
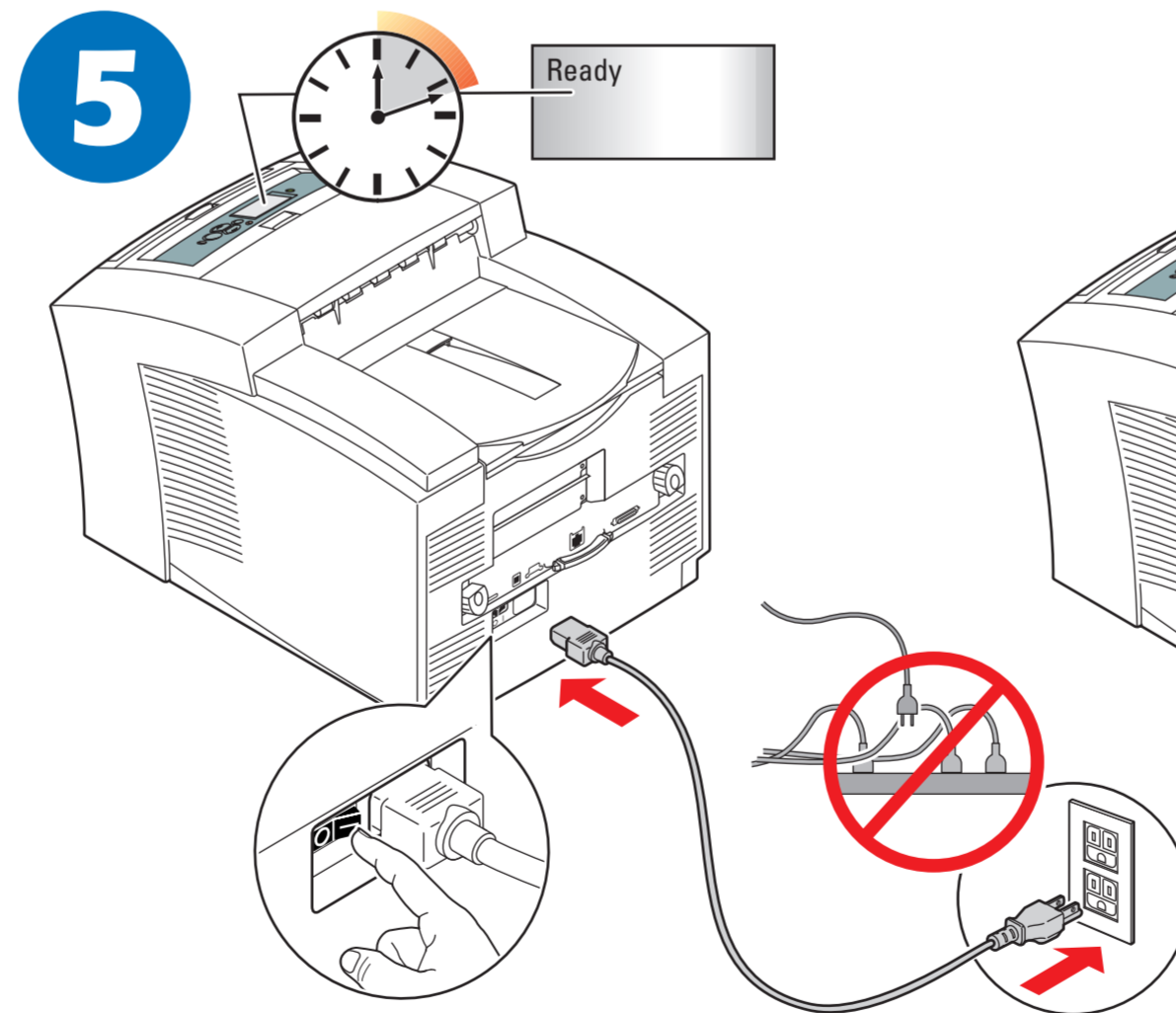
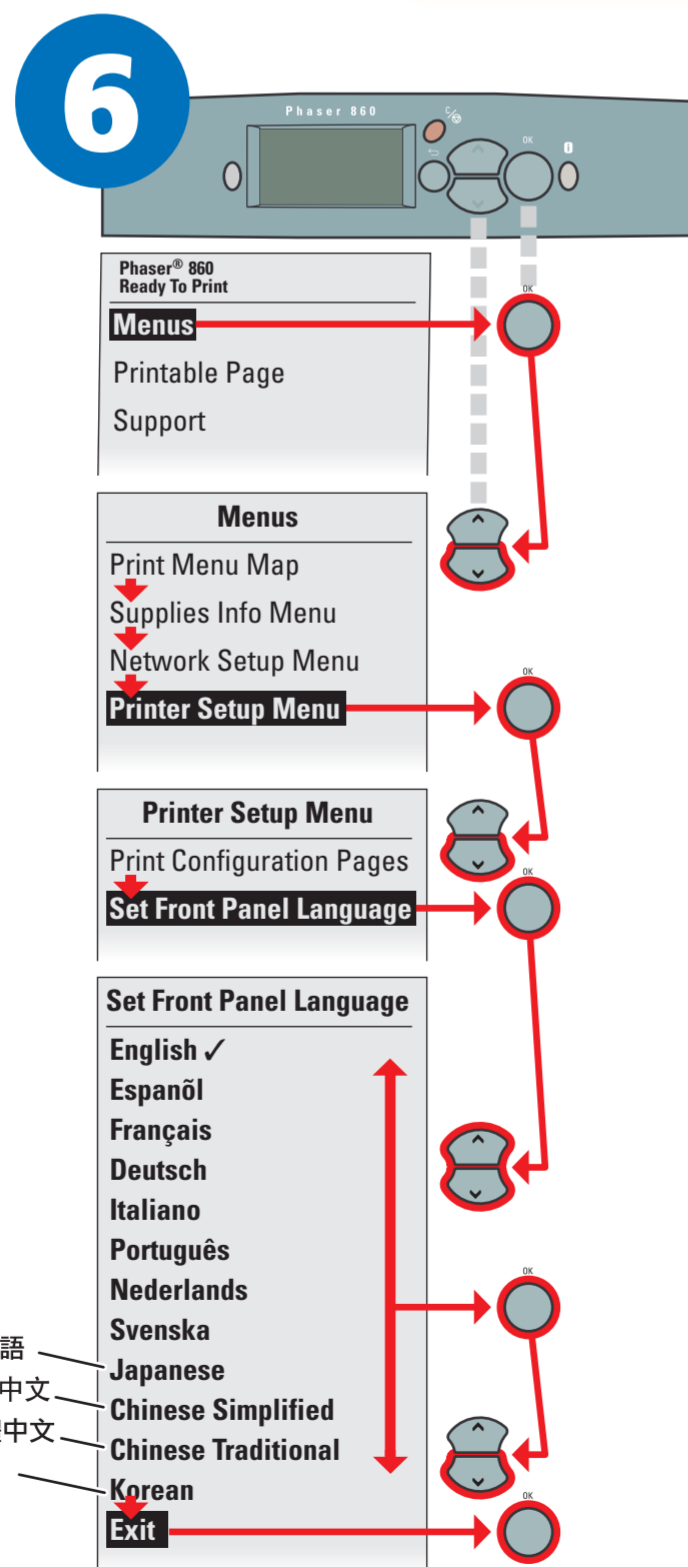
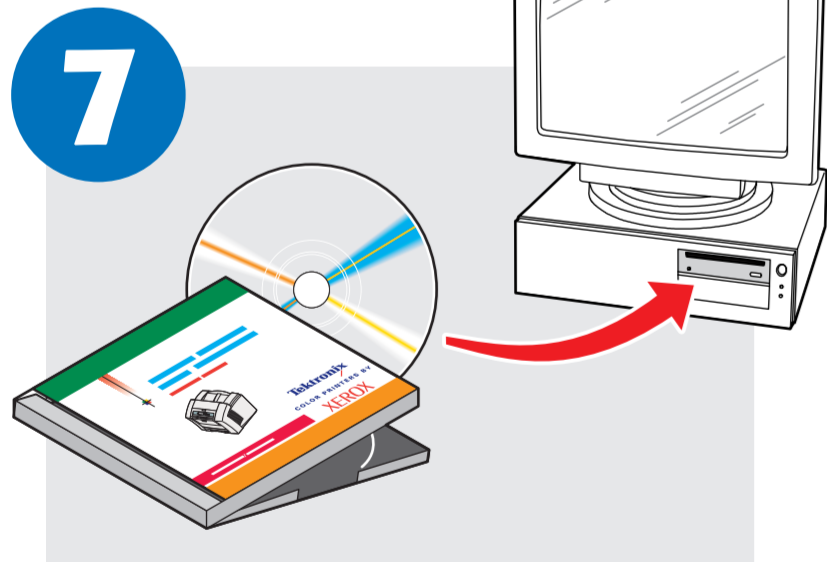
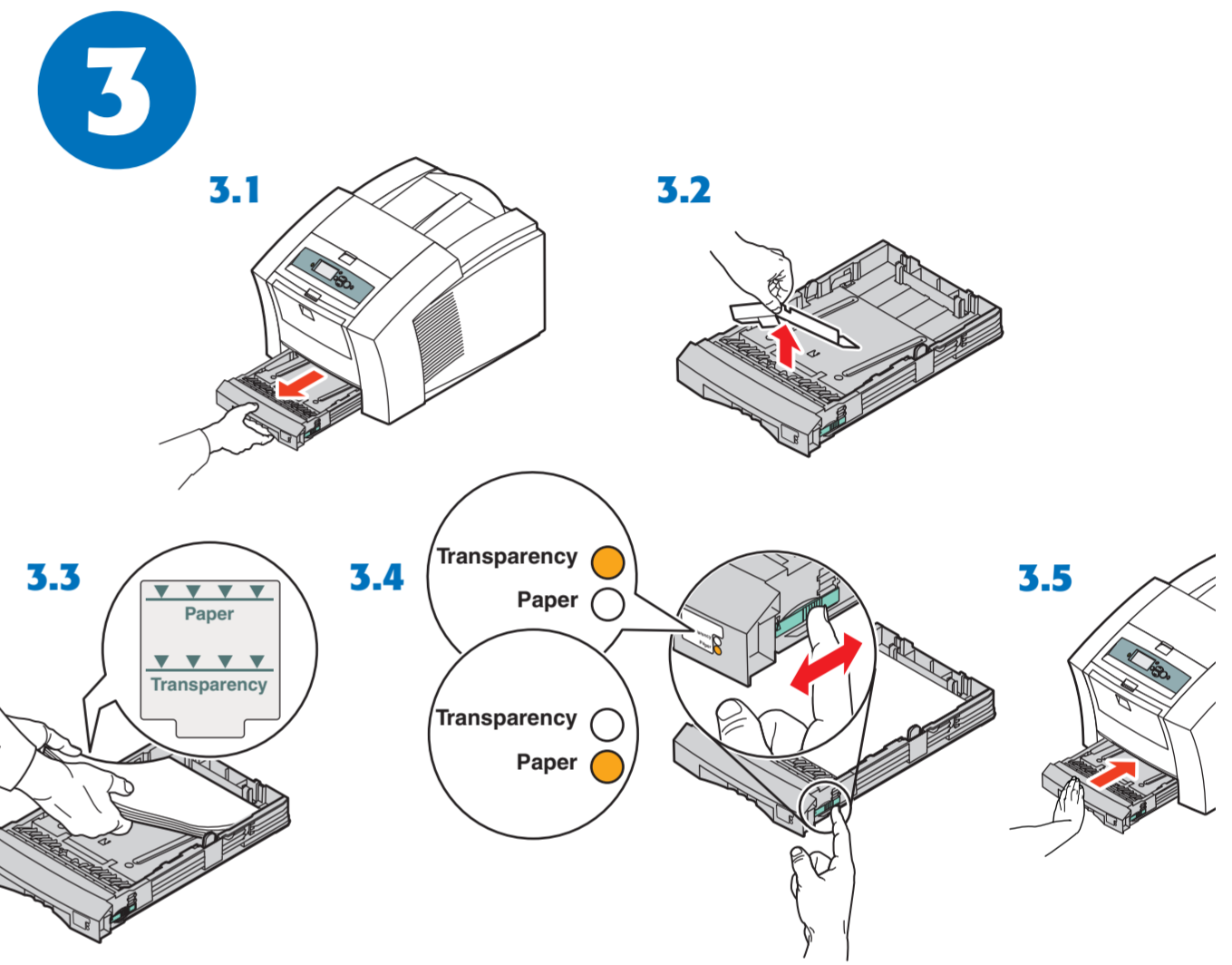
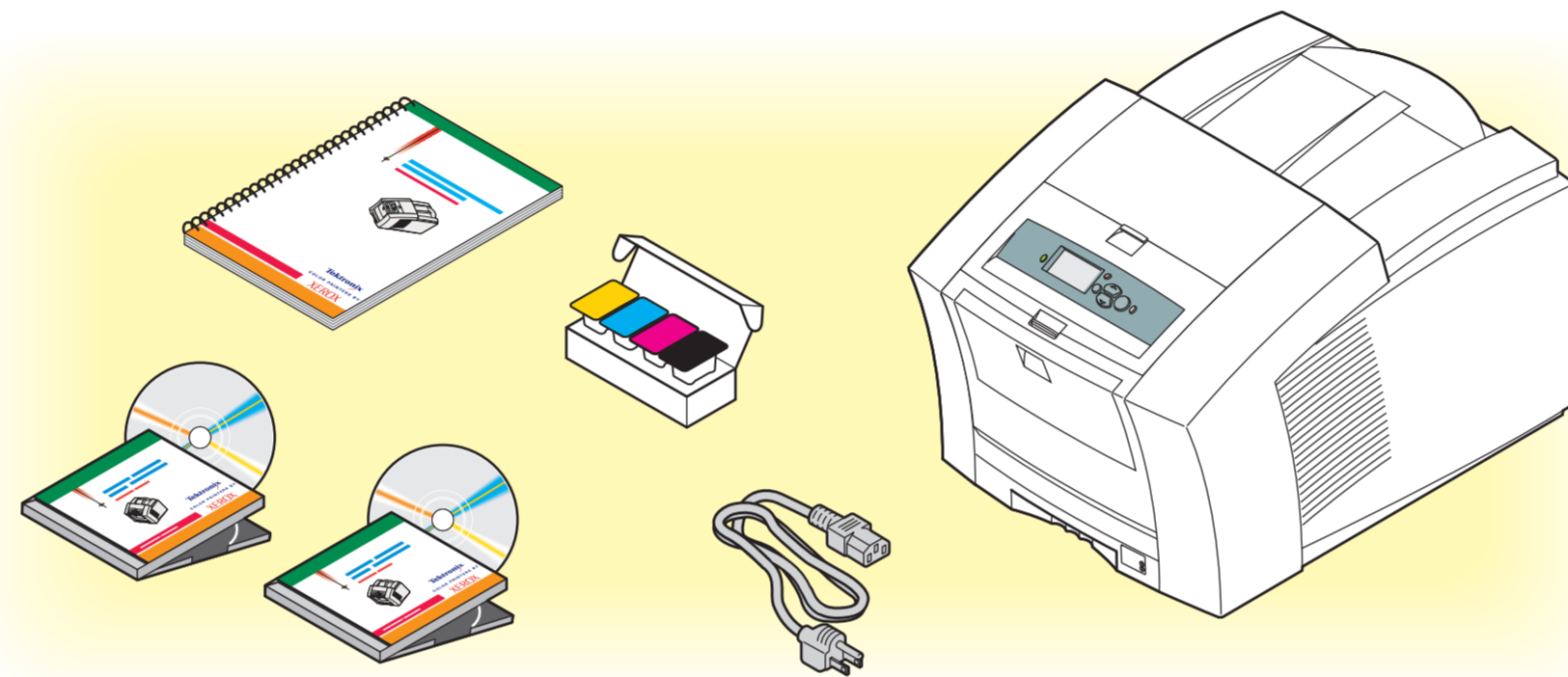
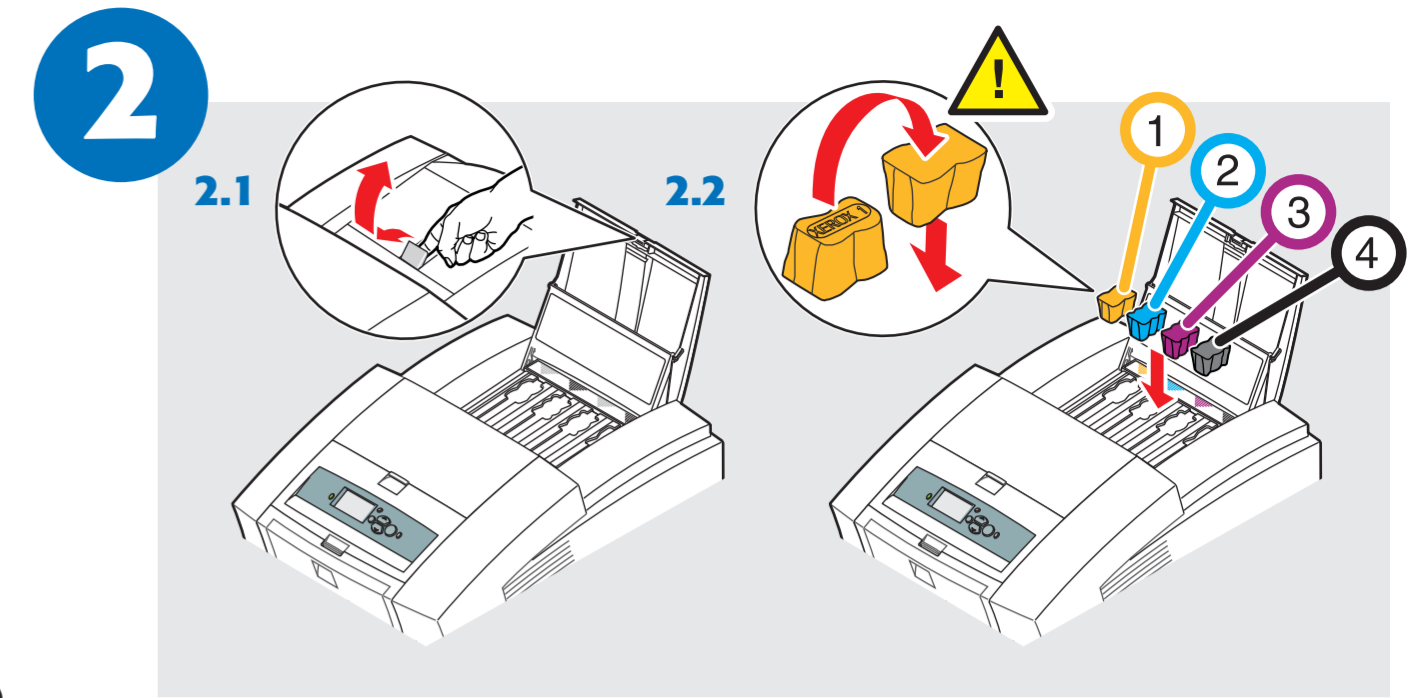
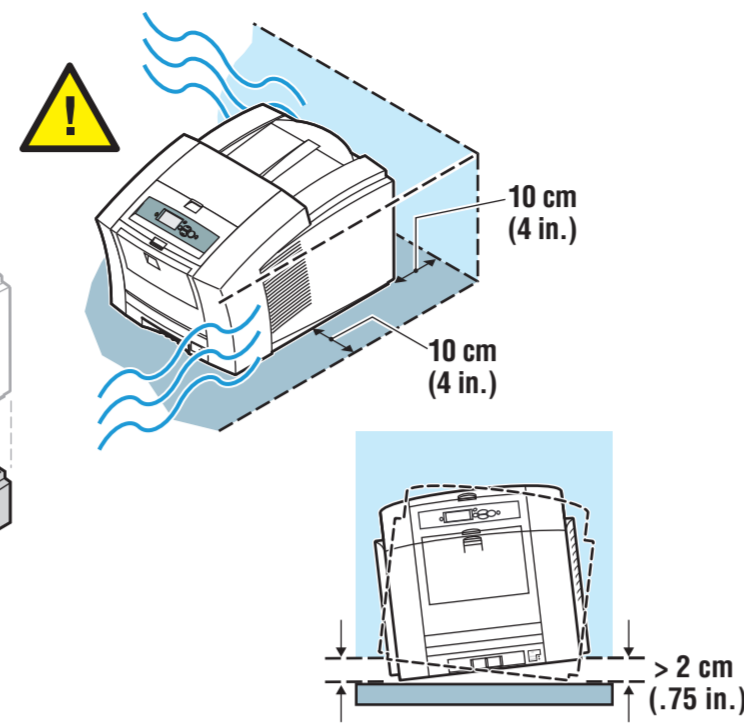
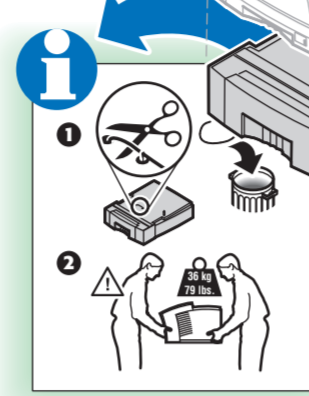
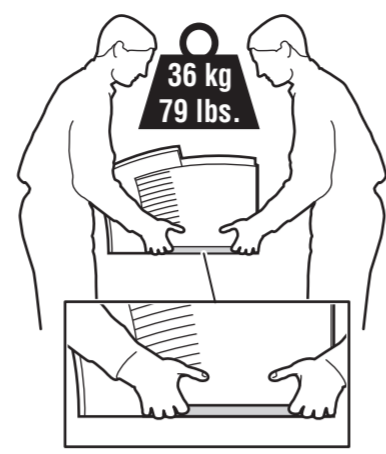
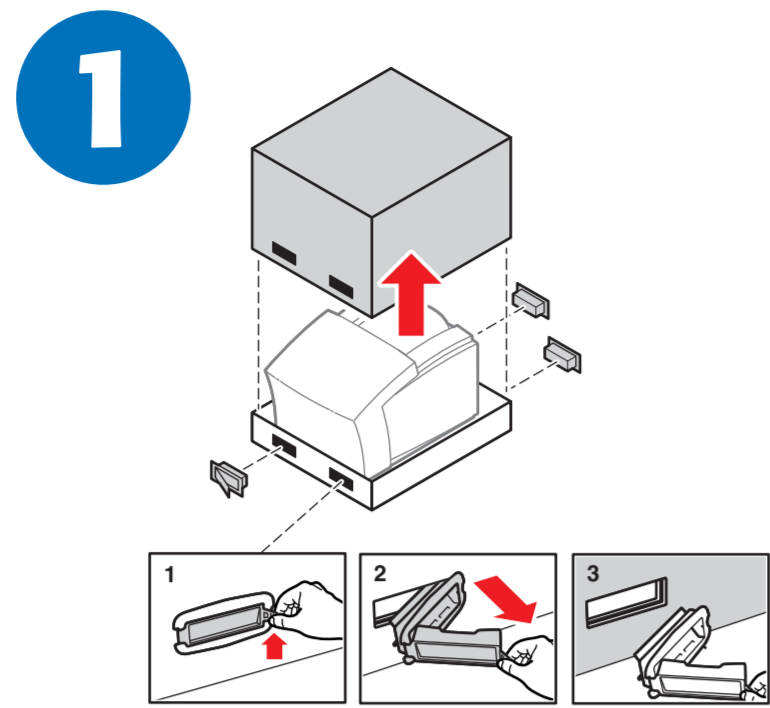


PHASER® 860

COLOR PRINTER

- Installation
- Installazione
- Instalación
- Instalação
- Installatie
- Установка
- Installasjon
- Asennus
- Instalace
- Zainstalowanie
- Telepítés
- 安装
- 安裝
- インストール
- 설치



Tektronix
COLOR PRINTERS BY
XEROX

Free Manuals Download Website

<http://myh66.com>

<http://usermanuals.us>

<http://www.somanuals.com>

<http://www.4manuals.cc>

<http://www.manual-lib.com>

<http://www.404manual.com>

<http://www.luxmanual.com>

<http://aubethermostatmanual.com>

Golf course search by state

<http://golfingnear.com>

Email search by domain

<http://emailbydomain.com>

Auto manuals search

<http://auto.somanuals.com>

TV manuals search

<http://tv.somanuals.com>