

## **Xerox CopyCentre/WorkCentre 118**

### **Automatic Document Feeder (Duplex) Installation Guide**

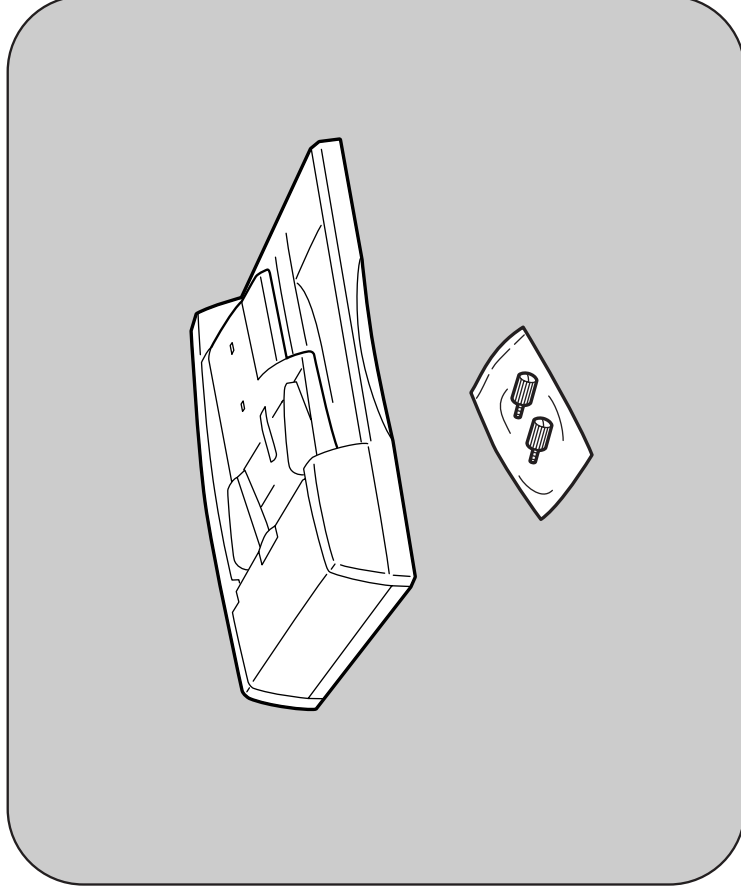
**Guide d'installation du chargeur automatique  
de documents recto verso**

**Guida all'installazione dell'alimentatore  
originali fronte/retro**

**Installationsanleitung - Duplexvoriageneinzug**

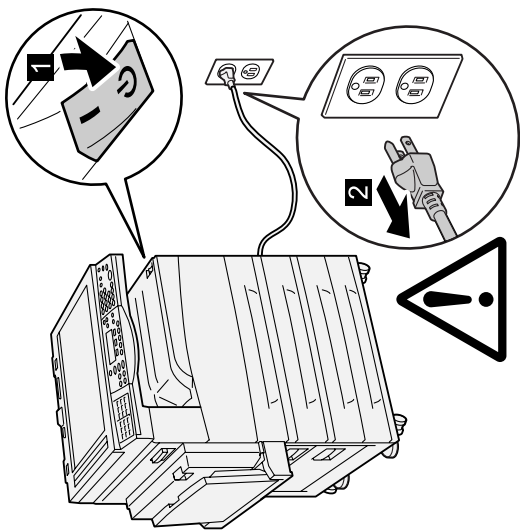
**Guía de instalación del alimentador automático  
de documentos a dos caras**

**Guia de Instalação (Duplex) do Alimentador de  
Originais Automático**

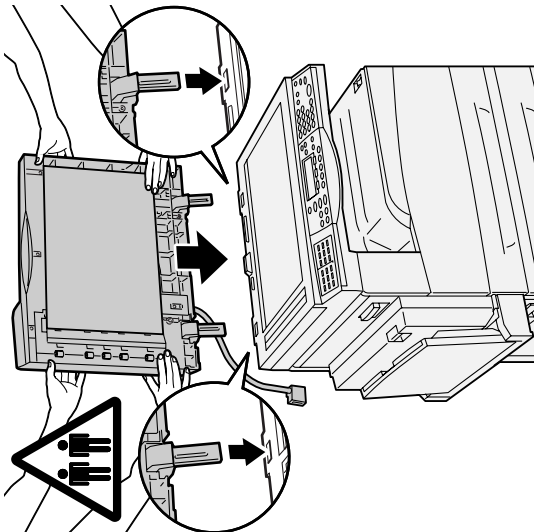


MO3097Y6-1  
ND-100162(E)  
March, 2004 ISSUE 1

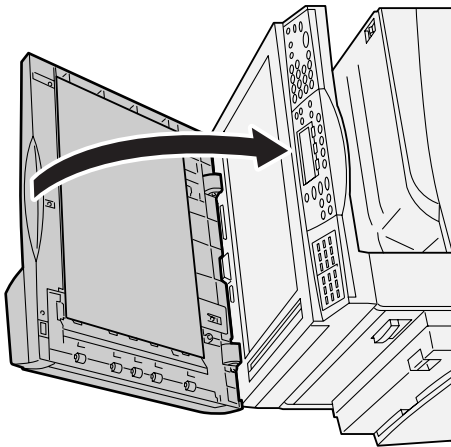
1



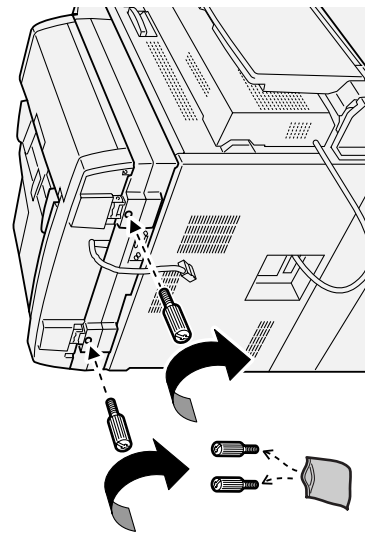
2



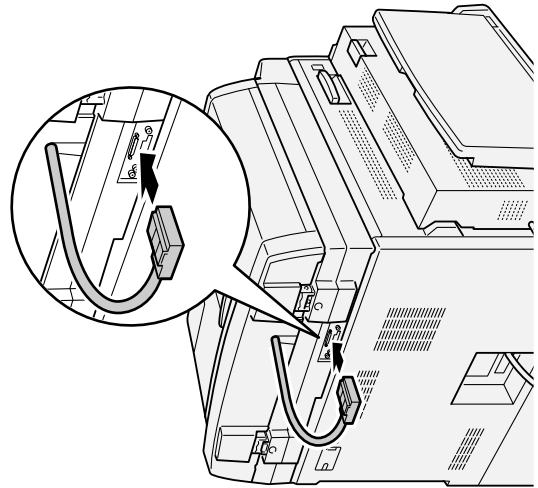
3



4



5



## Free Manuals Download Website

<http://myh66.com>

<http://usermanuals.us>

<http://www.somanuals.com>

<http://www.4manuals.cc>

<http://www.manual-lib.com>

<http://www.404manual.com>

<http://www.luxmanual.com>

<http://aubethermostatmanual.com>

Golf course search by state

<http://golfingnear.com>

Email search by domain

<http://emailbydomain.com>

Auto manuals search

<http://auto.somanuals.com>

TV manuals search

<http://tv.somanuals.com>