

2 Loading Media

This chapter includes:

- "Supported Media" on page 2-2
- "Loading Media in Tray 1" on page 2-7
- "Loading Media in Trays 2, 3, and 4" on page 2-13

Supported Media

This section includes:

- "Tray and Media Usage Guidelines" on page 2-2
- "Duplex Automatic Document Feeder Guidelines" on page 2-3
- "Supported Papers, Transparencies, and Other Specialty Media" on page 2-4
- "Supported Envelopes" on page 2-5
- "Media Storage Guidelines" on page 2-6
- "Media that May Damage Your System" on page 2-6

Your system is designed to be used with a variety of paper types. Follow the guidelines in this section to ensure the best print and copy quality and to avoid jams.

For best results, use Xerox printing media specified for your WorkCentre C2424 Copier-Printer. They are guaranteed to produce excellent results with your system. For the most current information about Xerox printing media, go to www.xerox.com/office/c2424support.

Caution

Damage caused by using unsupported paper, transparencies, and other specialty media is not covered by the Xerox warranty, service agreement, or Total Satisfaction Guarantee. The Total Satisfaction Guarantee is available in the United States and Canada. Coverage may vary outside these areas; please contact your local representative for details.

Tray and Media Usage Guidelines

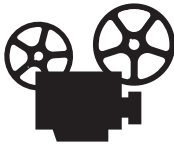
The system trays accommodate most sizes and types of paper, transparencies, or other specialty media.

- Do not overload the paper tray. Do not load paper above the fill line on the inside of the paper guide.
- Adjust the paper guides to fit the paper size. For Trays 2, 3, and 4, the paper guides click into place when they are adjusted correctly.
- If excessive jams occur, use paper, transparencies, or other specialty media from a new package.
- Custom size paper can be printed only from Tray 1.
- Xerox Professional Solid Ink Photo Paper, Xerox Professional Solid Ink Glossy Paper, and Xerox Professional Solid Ink Trifold Brochures, can be printed from any tray, although they exceed the recommended weight guidelines for Trays 2–4.
- Use Xerox Professional Solid Ink Transparencies; print quality may vary with other transparencies.
- When printing photos, postcards, or brochures, some attention to stacking in the output tray may be required.

- Use only paper envelopes. Do not use envelopes with windows, metal clasps, or adhesives with release strips.
- Do not print CD labels in this system.
- When using pre-punched paper, load the paper so that the holes are on the right side of the tray. Adjust print and copy margins to accommodate the pre-punched holes.

Duplex Automatic Document Feeder Guidelines

The document feeder accommodates original sizes from 114 x 140 mm (4.5 x 5.5 in.) to 216 x 356 mm (8.5 x 14.0 in.), with weights within the following range:
60–120 g/m² (16–32 lb. Bond) (22–45 lb. Cover).



Videos are available with instructions for using the document feeder. Videos are located on the *User Documentation CD-ROM* and at www.xerox.com/office/c2424support.

Follow these guidelines when loading originals into the document feeder:

- Load originals faceup, so the top of the document enters first.
- Place only loose sheets of paper in the document feeder.
- Adjust the paper guides so they fit against the originals.
- Insert paper in the document feeder only when the ink on the paper is completely dry.

Use the glass rather than the document feeder to copy or scan the following types of originals:

- Paper with paper clips or staples attached
- Paper with wrinkles, curls, folds, tears, or notches
- Coated or carbonless paper, transparencies, or items other than paper such as cloth or metal
- Envelopes

Supported Papers, Transparencies, and Other Specialty Media

Paper Sizes	Paper Types	Paper Weight/Description	Any Tray	Tray 1 Only	Auto 2-Sided Printing 1-Sided Printing Only	
Letter (8.5 x 11.0 in.) A4 (210 x 297 mm) Legal (8.5 x 14.0 in.) Executive (7.25 x 10.5 in.) A5 (148 x 210 mm) Statement (5.5 x 8.5 in.) US Folio (8.5 x 13 in.) B5 ISO (176 x 250 mm) B5 JIS (182 x 257 mm)	Plain Paper, Letterhead, Card Stock	60–120 g/m ² (16–32 lb. Bond) (22–45 lb. Cover)	●		●	
		121–220 g/m ² (33–40 lb. Bond) (46–80 lb. Cover)		●	●	
	Letter (8.5 x 11.0 in.) A4 (210 x 297 mm)	Special (Pre-punched Paper, Business Cards, Photo Paper, Weatherproof Paper, Carbonless Paper, Glossy Paper)	60–120 g/m ² (16–32 lb. Bond) (22–45 lb. Cover)	●		●
			121–220 g/m ² (33–40 lb. Bond) (46–80 lb. Cover)		●	●
		Special	Xerox Phaser Postcards	●		●
			Xerox Professional Solid Ink Glossy Paper	●		●
	Xerox Phaser Trifold Brochures		●		●	
Transparency, Labels			●		●	
A6 (105 x 148 mm) Index Cards (3 x 5 in.)	Plain Paper, Card Stock	60–220 g/m ² (16–40 lb. Bond) (22–80 lb. Cover)		●	●	
				●	●	
Custom		Width: 140–216 mm (5.5–8.5 in.) and Height: 210–356 mm (8.3–14.0 in.)		●	●	
		Width: 76–139 mm (3.0–5.4 in.) or Height: 127–209 mm (5.0–8.2 in.)		●	●	
		Weight: 60–120 g/m ² (16–32 lb. Bond) (22–45 lb. Cover)		●	●	
		Weight: 121–220 g/m ² (33–40 lb. Bond) (46–80 lb. Cover)		●	●	

For best results, use Xerox printing media recommended for your WorkCentre C2424 Copier-Printer. For the most current information about Xerox printing media, go to www.xerox.com/office/c2424support.

Supported Envelopes

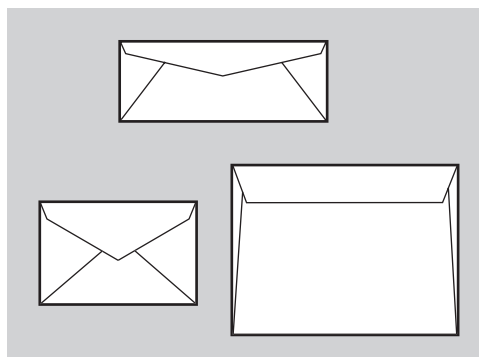
Note

All envelopes should be printed single-sided only. Use only paper envelopes. Do not use envelopes with windows, metal clasps, or adhesives with release strips. Some wrinkling and embossing may occur when printing envelopes. See [Printing](#) on the *User Documentation CD-ROM* for information on how to minimize these occurrences.

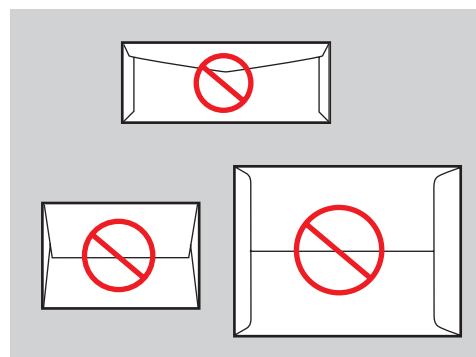
Tray	Size/Description
Print these envelopes from any tray	■ #10 Commercial (4.12 x 9.5 in.)
	■ DL (110 x 220 mm)
	■ C5 (162 x 229 mm)
Print these envelopes from Tray 1 only	■ #5 ½ Baronial (4.375 x 5.75 in.)
	■ #6 ¾ Commercial (3.625 x 6.5 in.)
	■ Monarch (3.87 x 7.5 in.)
	■ #6 ½ Booklet (6 x 9 in.)
	■ Lee (5.25 x 7.25 in.)

Note

Envelopes with side seams, end-flaps, or with flat, announcement style flaps may jam.



Supported



Not Supported

See the *User Documentation CD-ROM* or go to the infoSMART Knowledge Base at www.xerox.com/office/c2424infoSMART for more information about supported papers, transparencies, envelopes, and other specialty media.

Media Storage Guidelines

Providing a good environment, and safe handling and storage conditions for your paper and other media contributes to optimum print quality.

- Store paper in dark, cool, relatively dry locations. Most paper items are susceptible to damage from ultraviolet (UV) and visible light. UV radiation, which is emitted by the sun and fluorescent bulbs, is particularly damaging to paper items. The intensity and length of exposure to visible light on paper items should be reduced as much as possible.
- Maintain constant temperatures and relative humidity.
- Avoid light, heat, and dampness.
- Avoid attics, kitchens, garages, and basements for storing paper. Inside walls are drier than outside walls where moisture can collect.
- Store paper flat. Paper should be stored on pallets, cartons, shelves, or in cabinets.
- Avoid having food or drinks in the area where paper is stored or handled.
- Do not open sealed packages of paper until you are ready to load them into the system. Leave paper in the original packaging. For most commercial cut-size grades, the ream wrapper contains an inner lining that protects the paper from moisture loss or gain.
- Some specialty media is packaged inside resealable plastic bags. Leave the media inside the bag until you are ready to use it; reinsert unused media in the bag and reseal it for protection.

Media that May Damage Your System

Your system is designed to use a variety of media types for print and copy jobs. However, some media can cause poor output quality, increased paper jams, or damage to your system.

Unacceptable media for Trays 1–4 include:

- Rough or porous media
- Plastic media
- Paper that has been folded or wrinkled
- Paper that has been photocopied
- Paper with staples inserted
- Envelopes with windows, metal clasps, or adhesives with release strips
- Padded envelopes
- CD labels
- Media that is less than 60 g/m² or more than 220 g/m²

Loading Media in Tray 1

Use Tray 1 for a wide range of media including:

- Plain paper
- Transparencies
- Card stock
- Labels
- Envelopes
- Some specialty media, such as photo paper, index cards, business cards, trifold brochures, glossy paper, carbonless paper, and weatherproof paper.
- Custom size paper ranging from 76 x 127 mm (3.0 x 5.0 in.) to 216 x 356 mm (8.5 x 14.0 in.).

Note

If you change the paper in Tray 1, you are prompted by the control panel to either accept the indicated paper type and size or change them.



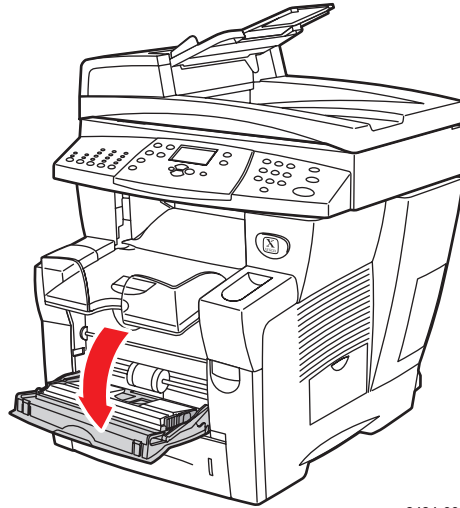
2424-176



Videos are available with instructions for using Tray 1. Videos are located on the *User Documentation CD-ROM* and at www.xerox.com/office/c2424support.

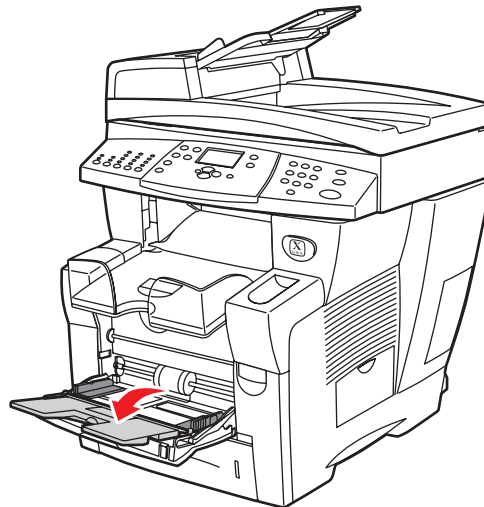
To load paper or other media in Tray 1:

1. Open Tray 1 by pulling up and out on the handle.



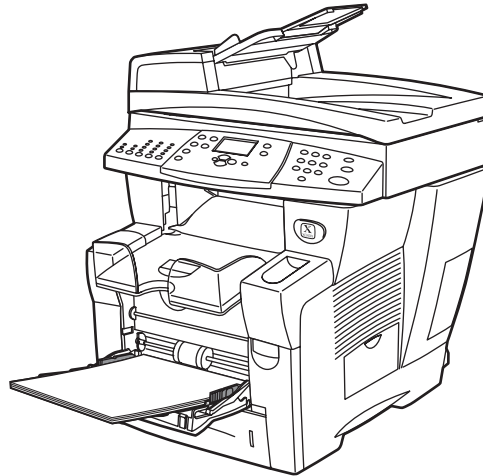
2424-006

2. Open the tray extension.



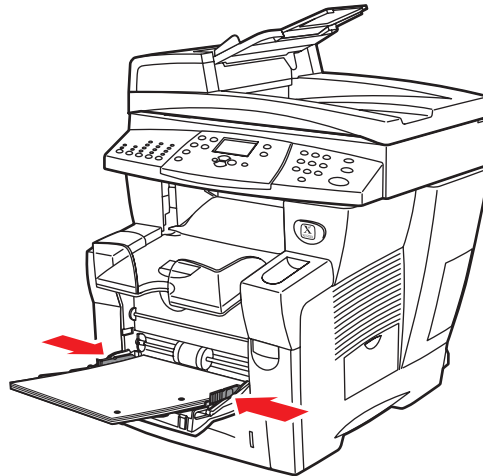
2424-007

3. Insert the paper or other media into the tray.
 - **Single-sided printing:** Insert the side to be printed **facedown** with the **top** of page against the roller.
 - **2-sided printing:** Insert side one **faceup** with the **bottom** of the page against the roller.



2424-177

- **Pre-punched Paper:** Load pre-punched paper with the holes next to the right paper guide.

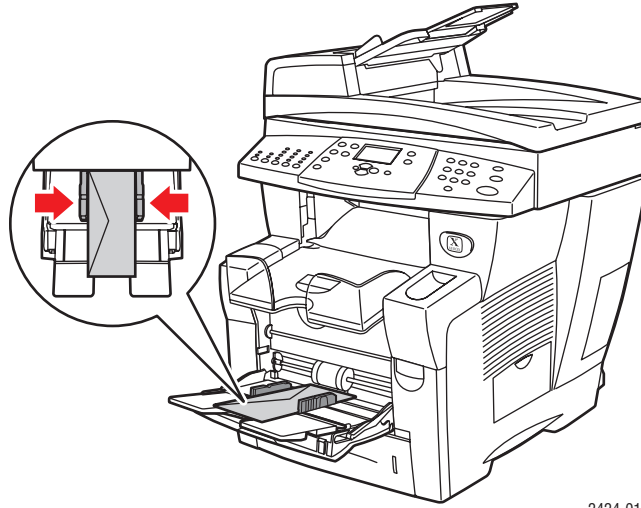


2424-182

Caution

When using pre-punched paper, adjust print or copy margins to accommodate the holes. Printing over the holes may cause ink to transfer onto subsequent pages. A minimum margin of 19 mm (0.75 in.) is recommended.

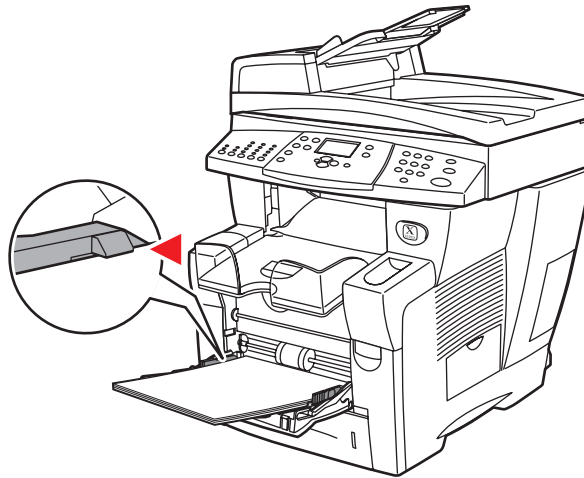
- **Envelopes:** Insert envelopes with the **flap side up** and the **flap** toward the left of the system. Slide the side guides until the arrows on the guides match the appropriate envelope size.



2424-010

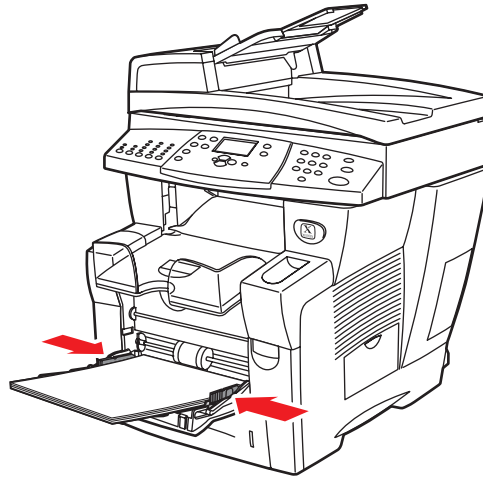
Caution

Do not load paper above the fill line on the inside of the left guide. Overloading the tray may cause paper jams.



2424-009

4. Verify that the paper is pushed against the roller until it stops and verify that the side guides are pressed against the paper.



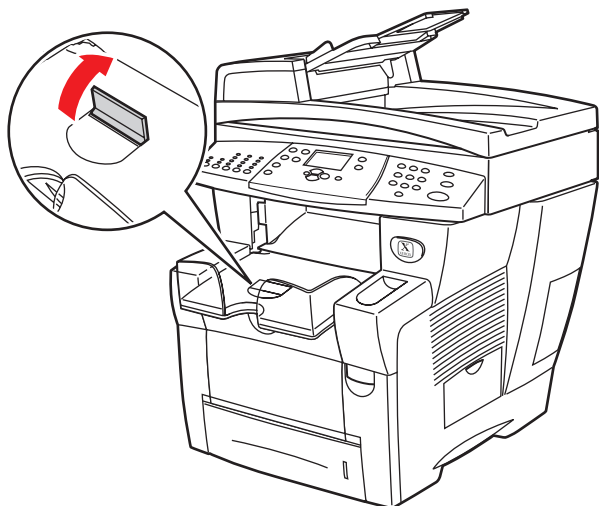
2424-041

5. When prompted at the control panel:
 - If the paper size and type are correct, press the **Enter** button.
 - If the paper size and type are not correct, select **Change**, press the **Enter** button, select the paper size, press the **Enter** button, select the paper type, then press the **Enter** button.
 - If you are using custom size paper, see the [Printing](#) chapter of this guide for instructions on entering the **Custom Width** and the **Custom Height** of the paper.

Note

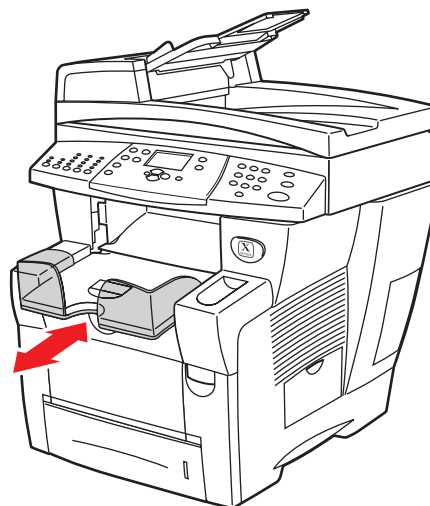
If the control panel does not show the paper size that you loaded, slide the paper guides to fit against the paper, then repeat Step 5.

6. Adjust the output tray for short or long media.



2424-186

For media shorter than 190 mm (7.5 in.), flip up the paper stop.



2424-056

For media longer than 297 mm (11.7 in.), extend the output tray.

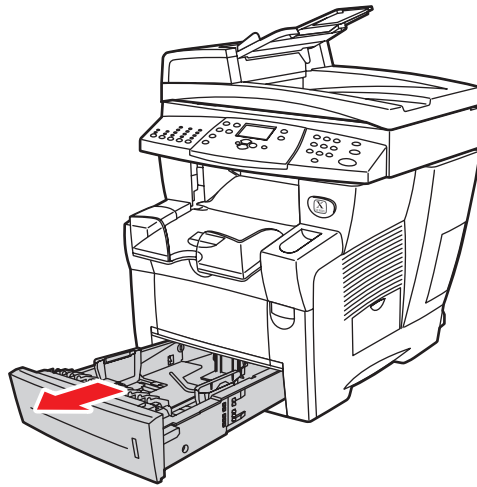
Loading Media in Trays 2, 3, and 4

Use Trays 2, 3, and 4 for a wide range of media including:

- Plain paper
- Transparencies
- Labels
- #10 Commercial, DL, and C5 envelopes
- Some specialty papers, such as Xerox Professional Solid Ink Photo Paper and Glossy Paper, and Xerox Phaser Postcards, Trifold Brochures, and Weatherproof Paper.

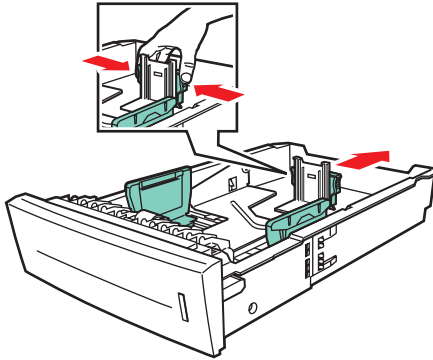
To load paper or other media in Tray 2, 3, or 4:

1. Pull the tray completely out of the system.



2424-001

2. If necessary, adjust the length and side paper guides to match the size of the paper.
 - Press the sides of the length guide, then slide the guide until the arrow on the guide matches the appropriate paper size and clicks into place.
 - Slide the side guides until the arrows on the guides match the appropriate paper size and the guides click into place.

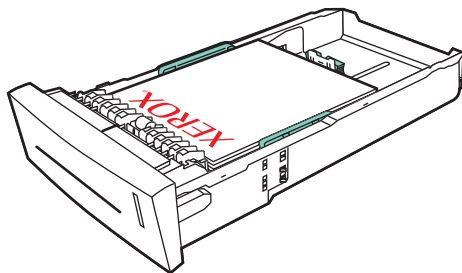


2424-094

Note

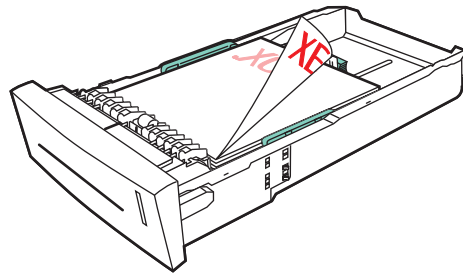
When the paper guides are adjusted correctly, there may be a small space between the paper and the guides.

3. Insert the paper into the tray.
 - **Single-sided printing:** Insert the side to be printed **faceup** with the **top** of the page toward the **front** of the tray.
 - **2-sided printing:** Insert side one **facedown** with the **top** of the page toward the **back** of the tray.



2424-095

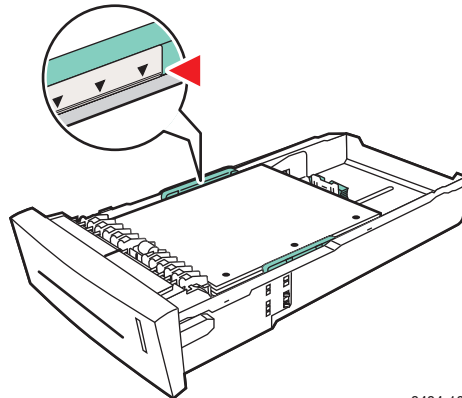
Single-sided printing



2424-096

2-sided printing

- **Pre-punched Paper:** Load pre-punched paper with the holes next to the right paper guide.

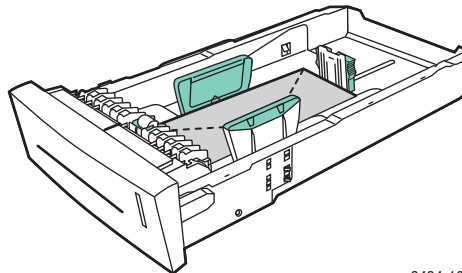


2424-183

Caution

When using pre-punched paper, adjust print or copy margins to accommodate the holes. Printing over the holes may cause ink to transfer onto subsequent pages. A minimum margin of 19 mm (0.75 in.) is recommended.

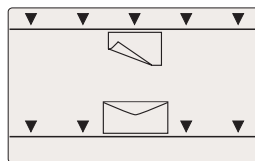
- **Envelopes:** Insert the envelopes with the **flap side down** and the **flap** of the envelope toward the **left** of the system.



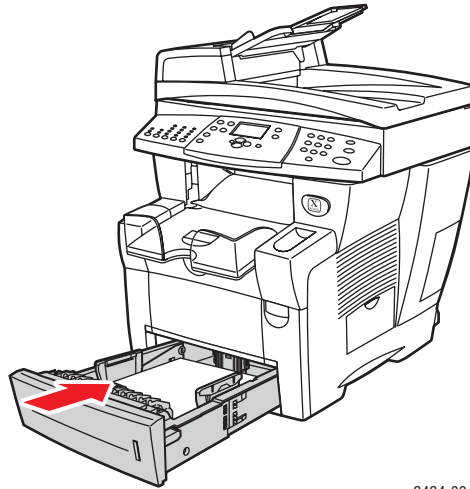
2424-100

Caution

There are separate fill lines inside the tray for envelopes and for other media. Do not load the tray above the appropriate fill line. Overloading the tray may cause jams.

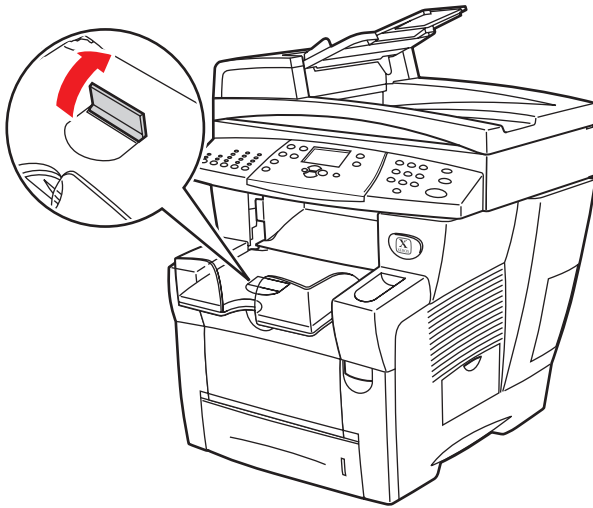


4. Insert the tray into the tray slot and push it completely to the back of the system.



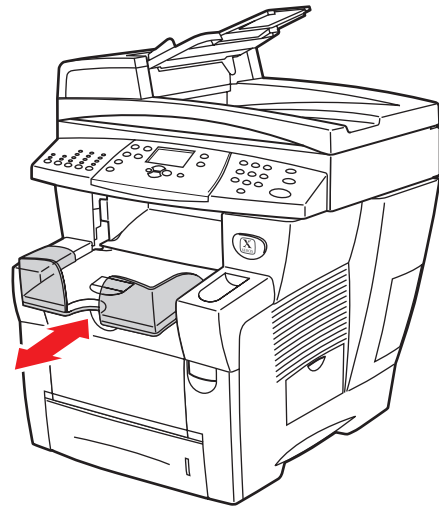
2424-004

5. If you changed the paper type, select the tray paper type:
 - a. On the control panel, press the **Copy** or **Print** button.
 - b. In the menu, select **Paper Supply**, then press the **Enter** button.
 - c. Select **Tray 2, 3, or 4 Paper Type**, then press the **Enter** button.
 - d. Select the appropriate paper type, then press the **Enter** button to save your selection.
6. Adjust the output tray for short or long media.



2424-186

For media shorter than 190 mm (7.5 in.), flip up the paper stop.



2424-056

For media longer than 297 mm (11.7 in.), extend the output tray.

Free Manuals Download Website

<http://myh66.com>

<http://usermanuals.us>

<http://www.somanuals.com>

<http://www.4manuals.cc>

<http://www.manual-lib.com>

<http://www.404manual.com>

<http://www.luxmanual.com>

<http://aubethermostatmanual.com>

Golf course search by state

<http://golfingnear.com>

Email search by domain

<http://emailbydomain.com>

Auto manuals search

<http://auto.somanuals.com>

TV manuals search

<http://tv.somanuals.com>