

Xerox CopyCentre/WorkCentre 118

Additional Memory (RAM) Installation Guide

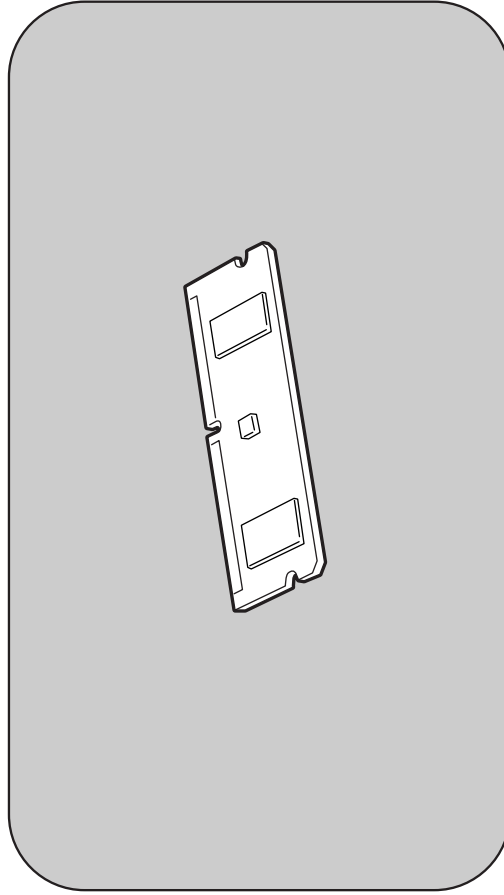
Guide d'installation de mémoire supplémentaire (RAM)

Guida all'installazione della memoria RAM aggiuntiva

Installationsanleitung RAM-Speicher

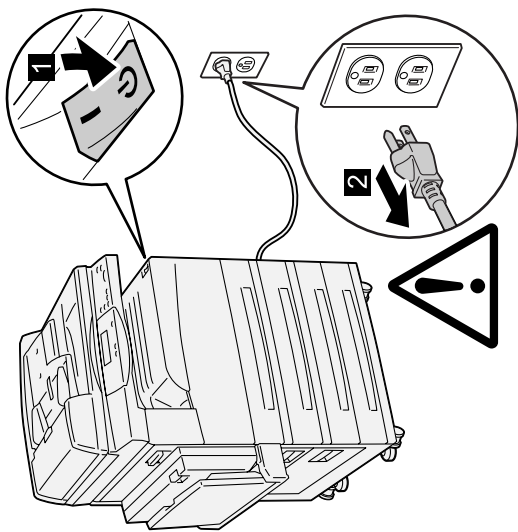
Guía de instalación de la memoria adicional (RAM)

Guia de Instalação de Memória (RAM) Adicional

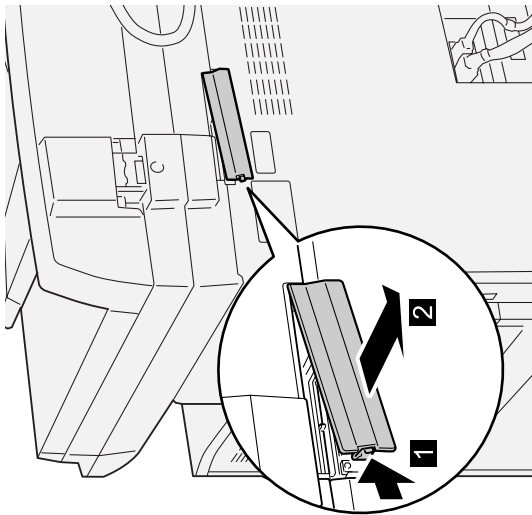


MO3102Y6-1
ND-100164(E)
March, 2004 ISSUE 1

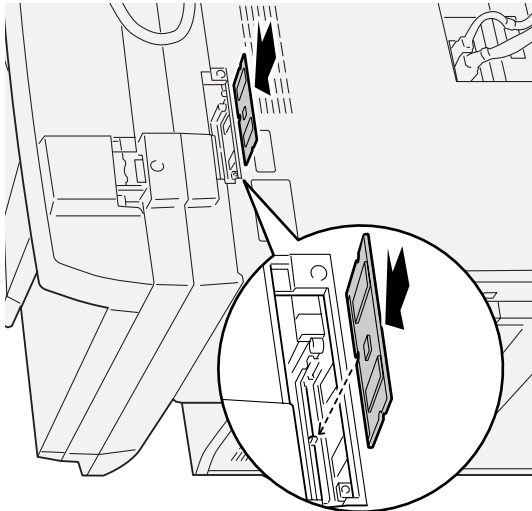
1



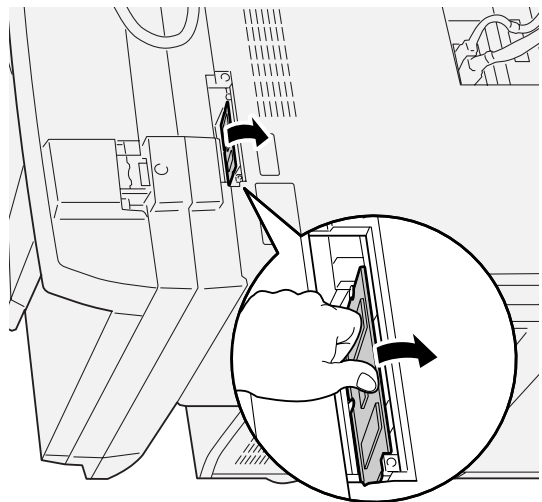
2



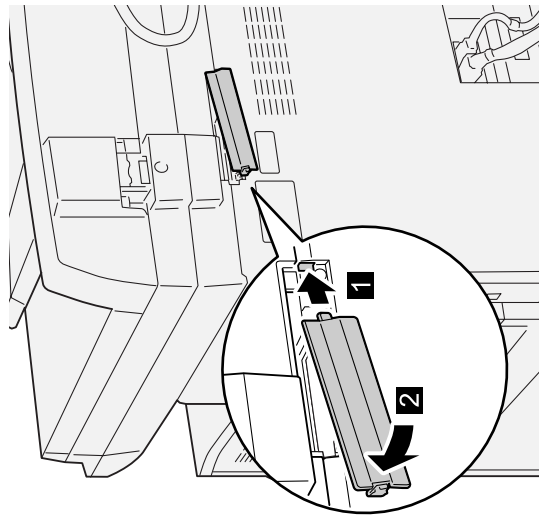
3



4



5



Free Manuals Download Website

<http://myh66.com>

<http://usermanuals.us>

<http://www.somanuals.com>

<http://www.4manuals.cc>

<http://www.manual-lib.com>

<http://www.404manual.com>

<http://www.luxmanual.com>

<http://aubethermostatmanual.com>

Golf course search by state

<http://golfingnear.com>

Email search by domain

<http://emailbydomain.com>

Auto manuals search

<http://auto.somanuals.com>

TV manuals search

<http://tv.somanuals.com>