

Xerox CopyCentre/WorkCentre 118

Stand Installation Guide

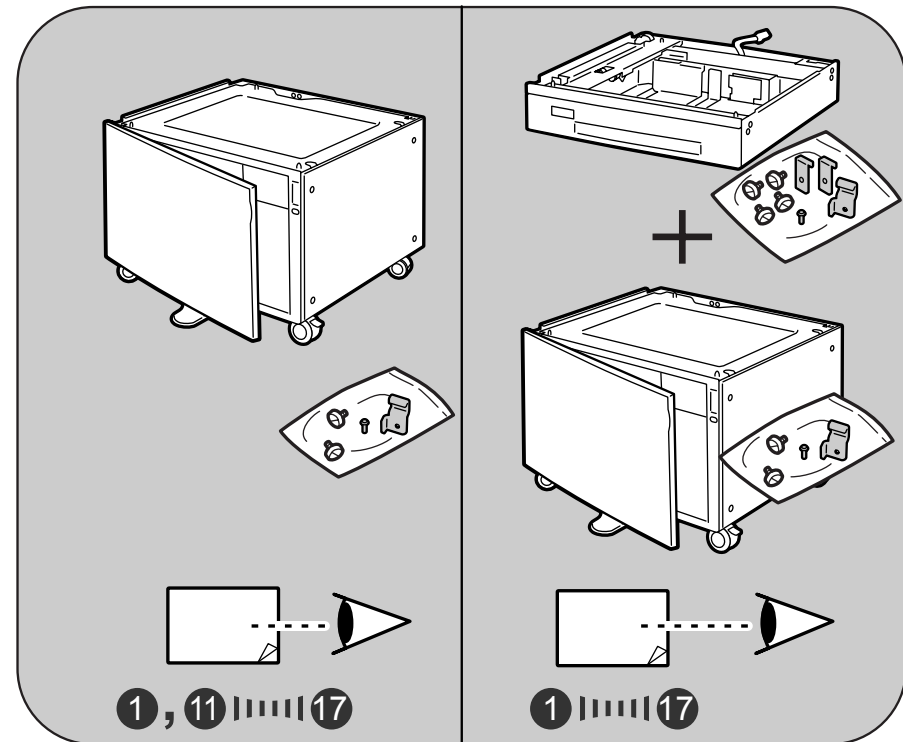
Guide d'installation du support

Guida all'installazione del piedistallo

Installationsanleitung Unterschrank

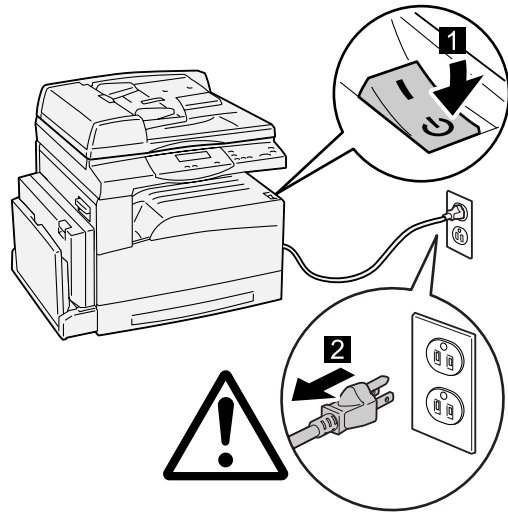
Guía de instalación del soporte

Guia de Instalação do Suporte

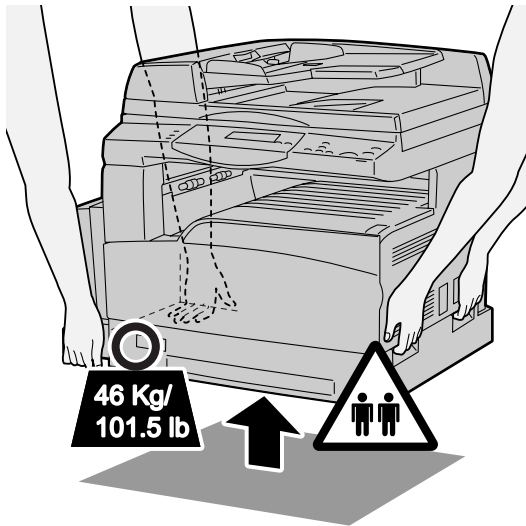


MO3101Y6-1
Edition 3

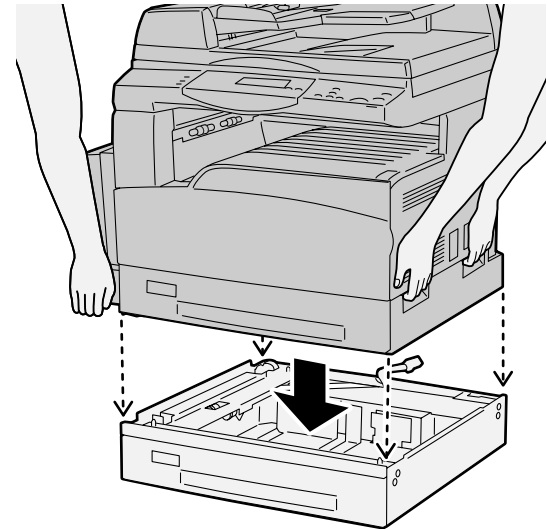
1



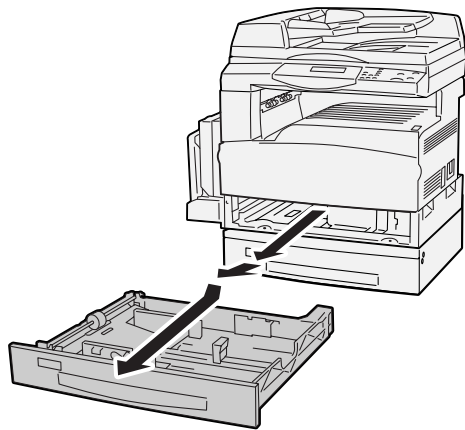
2



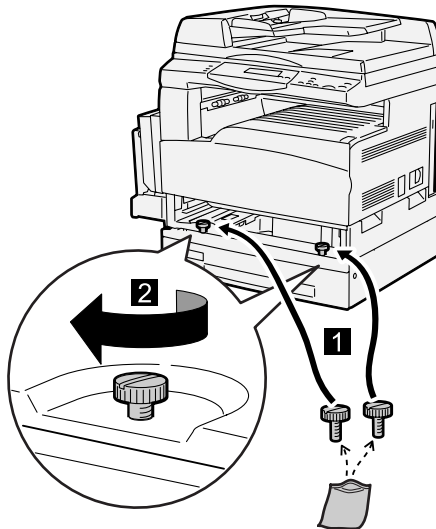
3



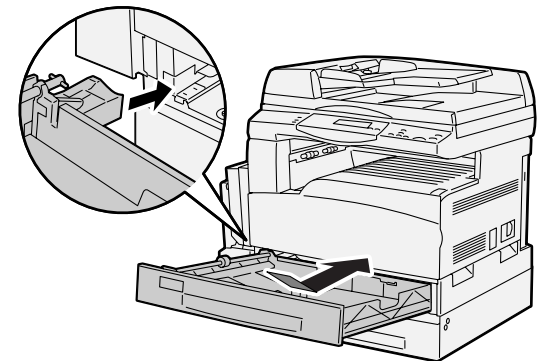
4



5

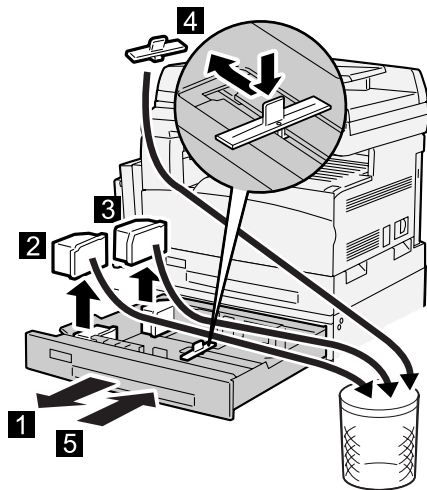


6

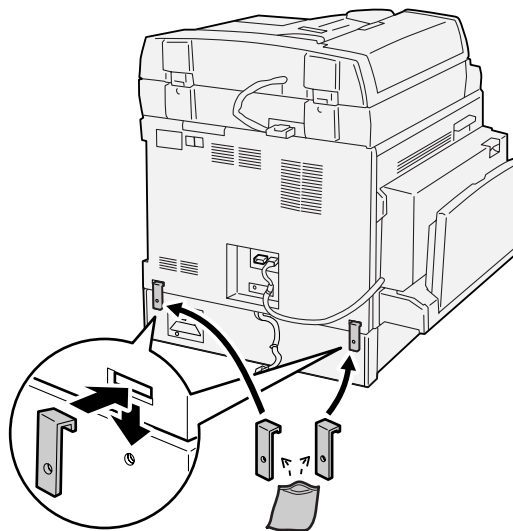


7 →

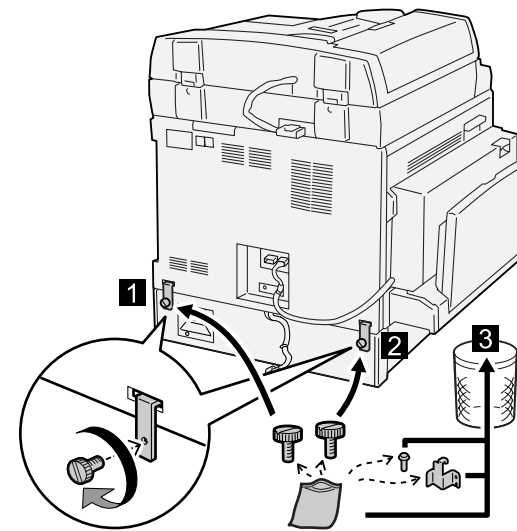
7



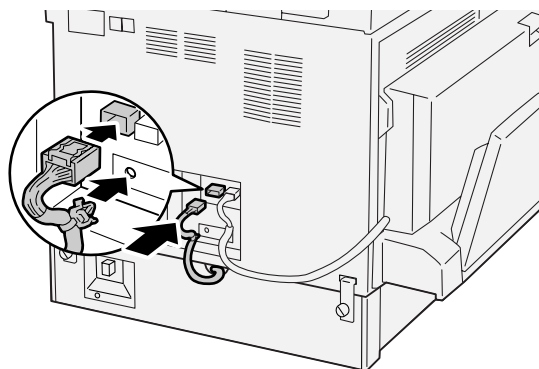
8



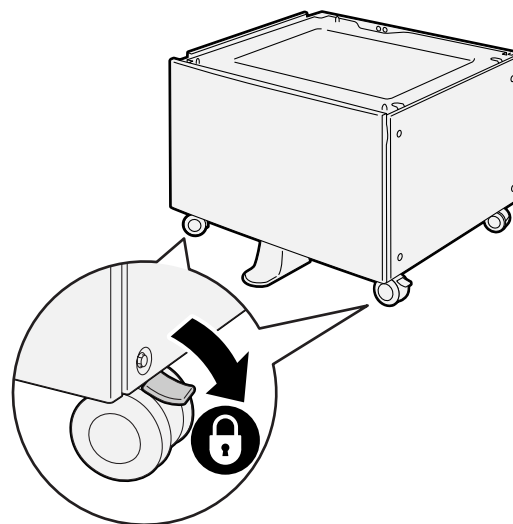
9



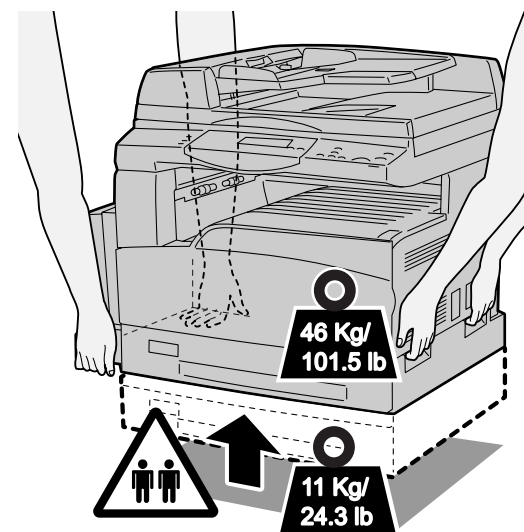
10



11

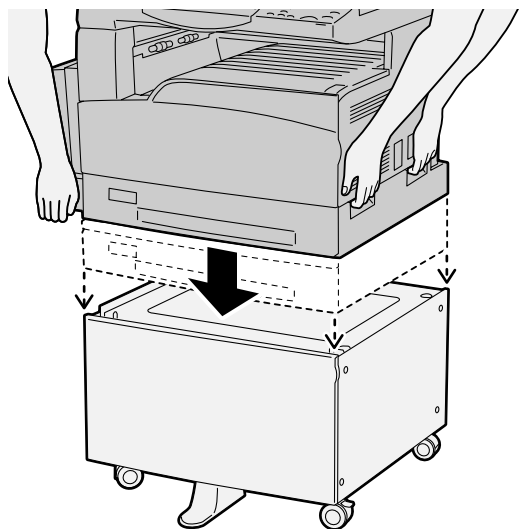


12

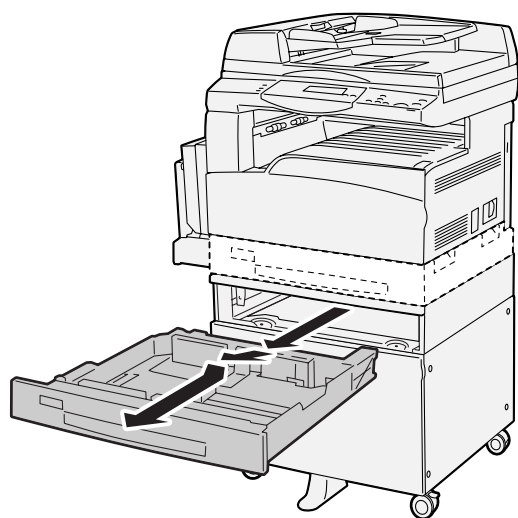


13 →

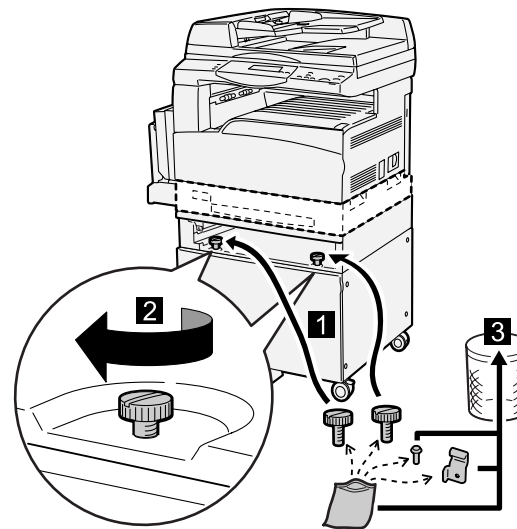
13



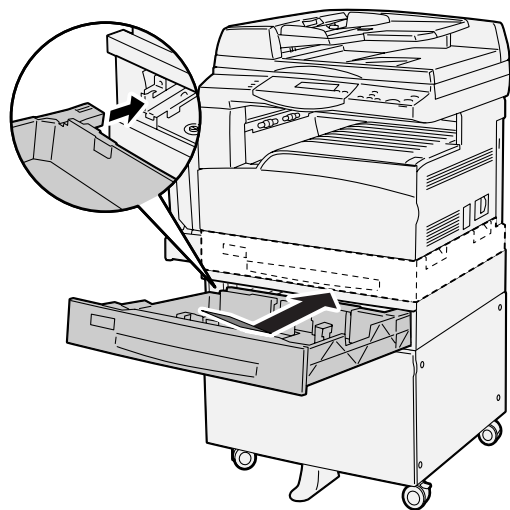
14



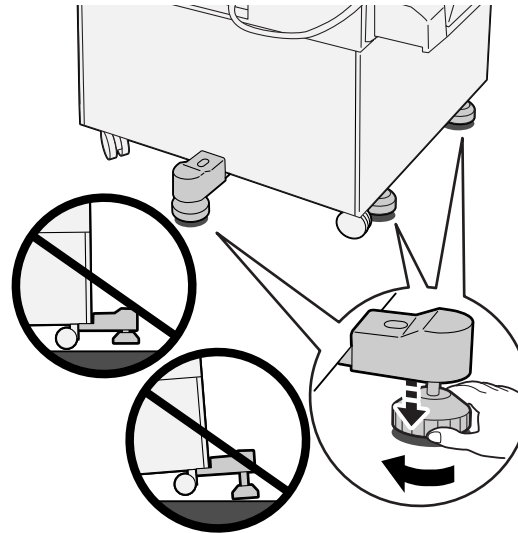
15



16



17



Free Manuals Download Website

<http://myh66.com>

<http://usermanuals.us>

<http://www.somanuals.com>

<http://www.4manuals.cc>

<http://www.manual-lib.com>

<http://www.404manual.com>

<http://www.luxmanual.com>

<http://aubethermostatmanual.com>

Golf course search by state

<http://golfingnear.com>

Email search by domain

<http://emailbydomain.com>

Auto manuals search

<http://auto.somanuals.com>

TV manuals search

<http://tv.somanuals.com>