

INSTALLATION INSTRUCTIONS

794 & 797 INTERFACE MODULES

The Model 794 or 797 allows any of the Xantech 3-wire IR receivers, keypads and control systems to connect directly to the serial remote control input jack found on many audio/video components. This eliminates the need for attaching an emitter to the front panel of the unit. The installer, by choosing the correct model number, suffix number and DIP switch settings, may use these modules to control many components.

INSTALLATION

- Review all tables 1, 2, & 3 to make sure you select the correct interface. The model number suffix generally specifies which INTERFACE CABLE is supplied with the unit (see Tables 1, 2 & 3).
- *Do Not* extend the cable supplied with the 794 or 797. The unit may not operate reliably when a longer cable is used.
- *Do Not* plug the 794 or 797 into anything until all switches are set.
- There are ten DIP switches on the 794 and two on the 797. When the 794 or 797 is driven by a Model 390 Blast-IR or Model 792 Power Module, switch **S1** must be in the **0** (off) position.
- The 794 and 797 are designed to supply power to Xantech 3-wire IR Receivers and keypads. Connect them directly to the **IN**, **GND1** and **+12V** terminals. The **IN** and **GND1** terminals may also be connected to any Xantech emitter output port.
- Use a 781RG or 782-00 power supply to power the 794 and 797 by plugging them into the **+12V** jack. You may also power them from other Xantech devices in a system by running +12 V and Gnd jumper leads from the other device to the **+12V** and **GND2** terminals on the 794 and 797.
- If the plug on the 781RG or 782 power supply does not fit the **+12V** jack on the 794 or 797, simply remove the plug and connect the white striped wire to **+12V** and the black wire to **GND2** on the 794 or 797 terminals.

MODEL 794

- Switch **S3** should be in the **1** (on) position in most installations.
- When multiple 794's are connected, or when ground loops are encountered, set **S3** to the **0** (off) position.
- Switch **S2**, and **S4** through **S10**, should be set according to Table 1, page 2. For products not listed, contact Xantech Technical Support. New versions are added from time to time.

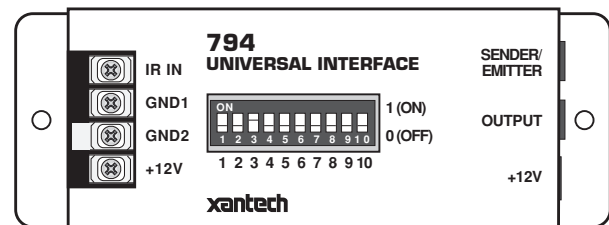


Fig. 1 794-00

MODEL 797

- Switch **S2** should be in the **1** (on) position in most installations. When multiple 797's are connected or when ground loops are encountered, set **S2** to the **0** (off) position.
- In general, set **S1** and **S2** according to Table 2, next page. For products not listed, contact Xantech Technical Support. New versions are added from time to time.

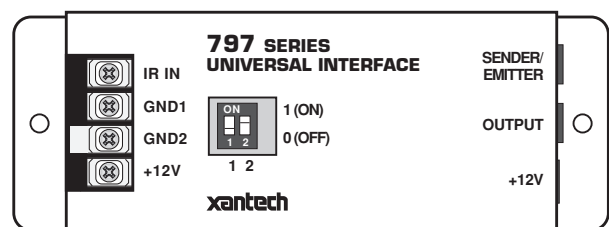


Fig. 2 797-00

The following diagram, **Fig. 3**, illustrates a typical application of the 794 along with a 780-10 IR Receiver to control an A/V receiver.

- The **INTERFACE CABLE** must always be plugged into the **OUTPUT** jack of the the 794, never the **SENDER/EMITTER** jack.
- The **SENDER/EMITTER** jack is used when you need to control a component with an emitter -- in this case a VCR.
- If you use a Model 797, you would connect it in exactly the same way.

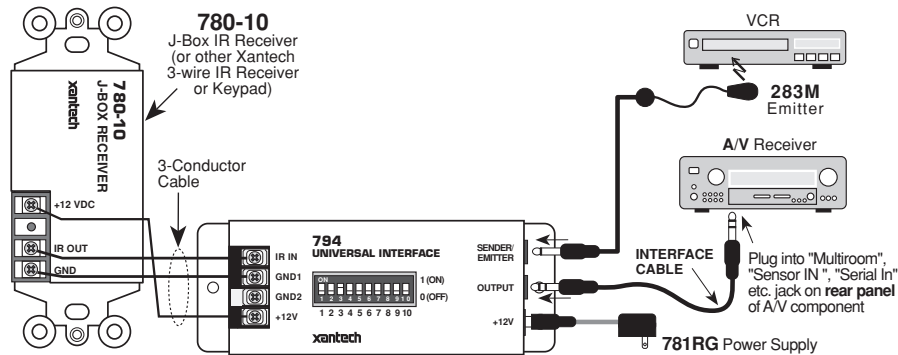


Fig. 3

NOTE: A wire may be required between the GND2 screw of the 794 or 797 and a ground connection (chassis screw) on the device being controlled. Refer to notes 2 and 4, page 2.

TABLE 1 - 794 Series Interfaces

NORMAL SWITCH SETTINGS

BRAND & MODEL	INTERFACE MODULE #	INTERFACE CABLE	1	2	3	4	5	6	7	8	9	10
ADCOM GTP-500II, GFB800 (see note 4)	794-30	3.5mm mono mini plug to 5-pin DIN plug cable	0	0	1	0	1	0	0	0	1	0
AUDIO ACCESS PX4	794-10	3.5mm stereo mini plug to 3.5mm stereo mini plug cable	0	1	1	0	0	0	1	0	1	0
CARVER CT-17	794-10	3.5mm stereo mini plug to 3.5mm stereo mini plug cable	0	1	1	1	0	1	0	0	0	0
CARVER HR 895, CT-24, CT-29	794-50	3.5mm mono mini plug to RCA-type phono plug cable	0	1	1	0	1	0	0	0	1	0
COUNTERPOINT (Model 818)	794-10	3.5mm stereo mini plug to 3.5mm stereo mini plug cable	0	0	1	1	0	1	0	0	0	1
DENON (Older Models)	794-10	3.5mm stereo mini plug to 3.5mm stereo mini plug cable	0	1	1	1	0	1	0	0	0	0
FAROUDJA (LD200/1, VP250/1)	794-10	3.5mm stereo mini plug to 3.5mm stereo mini plug cable	0	0	1	1	0	0	0	1	0	1
FOSGATE (W/IR Sensor Jack)	794-70	3.5mm stereo mini plug to 5-pin Mini-DIN plug cable	0	1	1	1	0	1	0	0	0	0
JBL SYNTHESIS (With IR Sensor Jack)	794-70	3.5mm stereo mini plug to 5-pin Mini-DIN plug cable	0	1	1	1	0	1	0	0	0	0
HARMAN KARDON (AVP1A)	794-70	3.5mm stereo mini plug to 5-pin Mini-DIN plug cable	0	1	1	1	0	1	0	0	0	0
KYOCERA (R-461 & others)	794-50	3.5mm mono mini plug to RCA-type phono plug cable	0	1	1	1	0	1	0	0	0	0
McINTOSH (MX-132 & some others)	794-10	3.5mm stereo mini plug to 3.5mm stereo mini plug cable	0	1	1	1	0	1	0	0	0	1
MAKITA (see note 1)	794-60	3.5mm stereo mini plug to RJ-9 Modular plug cable	0	0	1	0	0	1	1	0	0	0
MARANTZ (Green MR and Orange Remote In jacks & RC-5)	794-50	3.5mm mono mini plug to RCA-type phono plug cable	0	1	1	0	1	0	0	0	1	0
NAD	794-50	3.5mm mono mini plug to RCA-type phono plug cable	0	0	1	1	0	1	0	0	0	1
NAKAMICHI (With 3.5 mm Jack)	794-10	3.5mm stereo mini plug to 3.5mm stereo mini plug cable	0	1	1	1	0	1	0	0	0	0
NAKAMICHI (With 6-Pin DIN)	794-40	3.5mm stereo mini plug to 6-pin DIN plug cable	0	1	1	1	0	1	0	0	0	0
ONKYO (Not RI)	794-10	3.5mm stereo mini plug to 3.5mm stereo mini plug cable	0	0	1	0	0	0	1	0	0	1
ONKYO (With "MR" Jack)	794-10	3.5mm stereo mini plug to 3.5mm stereo mini plug cable	0	1	1	1	0	0	0	1	0	0
PHILIPS FR-60 (RC-5)	794-50	3.5mm mono mini plug to RCA-type phono plug cable	0	1	1	0	1	0	0	0	1	0
PIONEER (All With MULTI-ROOM Jack - see note 2)	794-10	3.5mm stereo mini plug to 3.5mm stereo mini plug cable	0	1	1	1	0	1	0	0	0	1
SHERWOOD	794-10	3.5mm stereo mini plug to 3.5mm stereo mini plug cable	0	1	1	1	0	1	0	0	0	1
SONY "Control S" (see note 3)	794-10	3.5mm stereo mini plug to 3.5mm stereo mini plug cable	0	1	1	0	1	0	0	0	1	0
SONY VCR (see note 3)	794-10	3.5mm stereo mini plug to 3.5mm stereo mini plug cable	0	0	1	0	0	0	1	0	1	0
SONY XBR TV (see note 3)	794-10	3.5mm stereo mini plug to 3.5mm stereo mini plug cable	0	0	1	0	1	0	0	0	1	0
SONY DST SYSTEM	794-10	3.5mm stereo mini plug to 3.5mm stereo mini plug cable	0	0	1	1	0	0	0	1	0	1
SONY NON-DST W/4-Pin "SIRCS"	794-80	3.5mm stereo mini plug to 4-Pin plug cable (fits SIRCS)	0	0	1	1	0	1	0	0	0	1
SOUNDSTREAM C2	794-70	3.5mm stereo mini plug to 5-pin Mini-DIN plug cable	0	1	1	1	0	1	0	0	0	0

TABLE 2 - 797 Series Interfaces

BRAND & MODEL	INTERFACE MODEL #	INTERFACE CABLE	1	2
ADS SC6	797-40	3.5mm stereo mini plug to RJ-23 Modular plug cable	0	1
CARVER ("MULTI" Jack) CT-29V, etc.	797-21	3.5mm mono mini plug to RCA-type phono plug cable	0	1
LUXMAN (TP-117 & others with "F" type Remote Sensor Jacks).	797-20	3.5mm stereo mini plug to Type "F" connector cable	0	1
McINTOSH (CR-10, CR12, C39, MX-130, etc.)	797-22	3.5mm stereo mini plug to Type "F" connector cable	0	1
MARANTZ (Blue MR Jack on SR-82, 92, AC500, EC500, etc.)	797-21	3.5mm mono mini plug to RCA-type phono plug cable	0	1
PHILIPS ("MULTI" Jack)	797-21	3.5mm mono mini plug to RCA-type phono plug cable	0	1
SONY DRLC Components "RMR"	797-50	3.5mm stereo mini plug to 3.5mm stereo mini plug cable	0	1
SONY TUNERS W/4-Pin "SIRCS" (Model STS-730ES, 550ES, etc.)	797-80 (MCN 109)	3.5mm stereo mini plug to 4-Pin plug cable (fits SIRCS)	0	1

TABLE 3 - Direct Connected Products

BRAND & MODEL	INTERFACE CABLE	CABLE PART #
B & K (Models with remote IR IN jack)	3.5 mm mono mini plug to RCA-type phono plug cable.	5912050
DENON (AVP8000 and others)	3.5 mm mini mono to 3.5mm mini mono cable.	6017450
EPSON (Projectors)	3.5 mm mini mono to 3.5mm mini mono cable.	6017450
HARMAN KARDON (Most models - see note 5)	3.5 mm mini mono to 3.5mm mini mono cable.	6017450
MADRIGAL PROCEED PAV (Remote IR input jack)	3.5 mm mini mono to 3.5mm mini mono cable.	6017450
Mark Levinson N-39 (External IR input jack)	3.5 mm mini mono to 3.5mm mini mono cable.	6017450
MITSUBISHI (Network IN - some VCRs only).	3.5 mm mini mono to 3.5mm mini mono cable.	6017450
ONKYO (TX-SV525, TX-SV727 and others with grey MRX IN jack)	3.5 mm mini mono to 3.5mm mini mono cable.	6017450
PARASOUND (External Remote Input)	3.5 mm mini mono to 3.5mm mini mono cable.	6017450
PIONEER (Models with Green jack)	3.5 mm mini mono to 3.5mm mini mono cable.	6017450
ROTEL (RA985BX & others)	3.5 mm mini mono to 3.5mm mini mono cable.	6017450
YAMAHA (RX770, KXR470, RXV870, RXV2090)	3.5 mm mini mono to 3.5mm mini mono cable.	6017450

NOTES:

1. No connection to GND1.
2. Pioneer CD players, tape decks, projection TV's, etc., including newer receivers, require a wire between the GND2 screw on the 794 and a ground screw on the Pioneer device.
3. May not be compatible with all models. Call Xantech for latest information.
4. Requires a wire between the GND2 screw on the 794 and a ground screw on the controlled device.
5. May require, on some models, a wire between the GND screw on Xantech Connecting Blocks and a ground screw on the controlled device.

DIRECT CONNECTED PRODUCTS

The products listed in Table 3 do not need an Interface Module. Simply connect the serial IN jacks (Network IN, Control IN, IR IN, etc.) on these products directly to an emitter output port on Xantech Connecting Blocks using an INTERFACE CABLE as listed.

MOUNTING

Holes are provided in the end flanges of the 794/797 for mounting. Use the 2 screws provided to secure it to any flat surface.

Free Manuals Download Website

<http://myh66.com>

<http://usermanuals.us>

<http://www.somanuals.com>

<http://www.4manuals.cc>

<http://www.manual-lib.com>

<http://www.404manual.com>

<http://www.luxmanual.com>

<http://aubethermostatmanual.com>

Golf course search by state

<http://golfingnear.com>

Email search by domain

<http://emailbydomain.com>

Auto manuals search

<http://auto.somanuals.com>

TV manuals search

<http://tv.somanuals.com>