

PLEASE READ BEFORE USE AND SAVE



Innovative Products For Living

12,000 BTU Dual Hose Portable Air Conditioner Heater & Dehumidifier

INSTRUCTION MANUAL
MODEL PACRWC



WindChaser Products, Inc.
4130 Del Rey Avenue, Marina del Rey, CA 90292
Phone: 310-827-8615 Fax: 310-827-8566
Toll Free: 1-800-405-2943
www.windchaserproducts.com



CONTENTS

PLEASE CAREFULLY READ AND KEEP THESE INSTRUCTIONS FOR FUTURE REFERENCE

Before Intial Use	1
Safety Instructions	2
Learn intelligent air conditioning	2
Important instructions	2
Energy Saving tips	3
Technical specifications	3
Parts	4
Exhaust Kit Installation	5
Operating instructions and functions	7
Adjustable Oscillating Louvers	8
Remote Control Operations	9
Protection	10
Cleaning the unit	10
Troubleshooting guide	11
Product limited warranty	12

NOTE:

- **BEFORE** returning the Product; call your dealer/retailer or distributor that sold you the Product for instructions and details regarding their return merchandise policies.
- **DO NOT** return Product, components or parts to ICP without prior written approval and Return Authorization number from ICP.
- You are responsible for prepaying all shipping, handling, packaging and delivery costs to and from the distributor/dealer or factory
- ICP, its dealers, distributors and representatives cannot be responsible for damage resulting from improper packing and/or mishandling by shipper.

THE FOREGOING EXPRESSES ALL OF ICP'S OBLIGATIONS AND LIABILITIES WITH RESPECT TO THE QUALITY OF PRODUCT, ITS COMPONENTS, ACCESSORIES AND ATTACHMENTS FURNISHED BY IT. ALL OTHER WARRANTIES, EXPRESSED OR IMPLIED, INCLUDING THE WARRANTIES OF MERCHANTABILITY OR FITNESS FOR A PARTICULAR PURPOSE ARE DISCLAIMED. ICP SHALL NOT BE LIABLE FOR THE LOSS OF USE OF THE PRODUCT, ITS COMPONENTS, ACCESSORIES AND ATTACHMENTS, INCONVENIENCE, LOSS OR ANY OTHER DAMAGES, DIRECT OR CONSEQUENTIAL ARISING OUT OF THE USE OF OR INABILITY TO USE THE PRODUCT ITS COMPONENTS AND ACCESSORIES OR DAMAGES RESULTING FROM OR ATTRIBUTABLE TO DEFECTS IN THE PRODUCT, ITS COMPONENTS AND ACCESSORIES.

NO ONE OTHER THAN ICP HAS THE AUTHORITY TO EXTEND OR MODIFY THE TERMS OF THIS LIMITED WARRANTY IN ANY MANNER WHATSOEVER.

Some states do not allow that exclusion or limitation of incidental or consequential damages or limitations on how long an implied warranty lasts so these limitations or exclusions may not apply to you. This Limited Warranty gives you certain legal rights and you may also have other rights specific to your country, state or province. This warranty is only valid in the United States and Canada.

For further information call:



**CUSTOMER SERVICE DEPARTMENT:
TOLL FREE 1-800-405-2943**

PRODUCT LIMITED WARRANTY

This Warranty applies to new Product only and excludes optional accessories and attachments. Extended Compressor Warranty applies only to Product with manufacturing dates beginning January 1, 1998.

During the first year from date of original purchase this WINDCHASER Product is warranted to be free from defects in materials or workmanship under normal use, service and maintenance. During the 2nd through 5th years from the date of original purchase, ICP warrants the compressor (part only) against defects in material or workmanship under normal use, service and maintenance.

WHAT IS COVERED: Product's components as originally affixed by the manufacturer that are defective in materials or workmanship under normal use, service and maintenance.

WHAT IS NOT COVERED BY THIS WARRANTY: This Warranty does not extend to or cover:

1. Any defect due to the negligence of others; failure to install, operate or maintain unit or accessories and attachments in accordance with installation instructions (operating, installation and maintenance manual and instructions are furnished with each new unit); unreasonable use; accidents; alteration, use of unauthorized or non-standardized WINDCHASER parts, accessories and attachments; acts of God; theft; vandalism; blown fuses; electrical malfunction. (i.e., resulting from power surges, shorted or overloaded circuits, outlets or electrical utility power quality, etc.), incorrect installation; use of any power source other than that specified on the Product's specification label; or repair by anyone other than a service facility authorized by an ICP representative
2. Diagnostic, troubleshooting and travel costs.
3. Operation and usage orientation costs.
4. Performance or operation certification and testing costs.
5. Normal wear and tear of parts including but not limited to hoses, cables, accessories and attachments.
6. Shipping, handling, packaging and delivery costs of the product, parts or accessories
7. Shipping, handling, and freight damages.
8. Diagnosing, repairing, removing, installing, shipping, servicing and/or handling costs of either defective parts or replacement parts as relating to Extended 4 Year Compressor Warranty.

WHO IS COVERED: The original purchaser from the retailer/dealer.

WHAT WE WILL DO: During the first year ICP will either repair or replace, at its option, all defective Product components free of charge that are covered by this Limited Warranty. During the second through fifth years ICP at its option, will provide a new or refurbished compressor (part only) free of charge.

WHAT YOU MUST DO FOR WARRANTY SERVICE: Contact your original point of purchase to determine warranty process.

BEFORE INITIAL USE

Read this Entire Instruction Manual Before Use.

Attach your purchase receipt here

PLEASE KEEP YOUR RECEIPT.

**YOUR RECEIPT IS YOUR PROOF OF
PURCHASE AND IS NECESSARY FOR
WARRANTY SERVICE**

For your reference:

Serial No. _____

Date of Purchase _____

Name and Address of Dealer

SAFETY INSTRUCTIONS

READ ALL INSTRUCTIONS BEFORE USING THE AIR CONDITIONER

When using electrical appliances, basic precautions should always be followed to reduce the risk of fire, electric shock, and injury to persons, including the following:

- 1) Do not damage the power cord.
- 2) Never lay the unit down while it is off or working.
- 3) Always keep it in an upright position to avoid any damage to the cooling system.
- 4) Operate this unit in an ambient temperature of 90°F or lower.
- 5) Be sure that the air inlets and outlets are not blocked or covered up.
- 6) Never place anything on top of the unit and do not cover it with any kind of cloth while it is plugged in or in-use.
- 7) Your air conditioner has been designed to be used only in a house, office and similar conditions and it should not be used for any other purpose.
- 8) Never connect the unit to a defective outlet.
- 9) This unit needs at least 12Amps of electricity to start its compressor. Plug the unit into a properly grounded dedicated 15Amp or greater circuit. Check your breaker box to determine which circuit the outlet is on.
- 10) Make sure that the unit is correctly connected before turning on the unit's power.
- 11) Never unplug the air conditioner while it is working. This could damage the electronic circuits.
- 12) To avoid tripping the circuit, DO NOT USE AN EXTENSION CORD FOR THIS UNIT.
- 13) To turn on your unit, always use the switch on the control panel.
- 14) Do not bend or crush the warm air exhaust hose.
- 15) It is dangerous to modify or to change the characteristics of the unit.
- 16) Prevent children from climbing on the unit.
- 17) Do not place the air conditioner near curtains (minimum distance 1.5 ft.).
- 18) Do not place the power cord under a carpet.
- 19) Never install the unit in direct sunshine or in the rain.
- 20) Keep the area around the warm air outlet sufficiently clean and make sure that it is not congested.
- 21) For any repairs, refer directly to our customer service department. Repairs carried out by unqualified people may cause damage or may even be dangerous and void the warranty.

Any damage resulting from failure to comply with these instructions is excluded from the warranty.

SAVE THESE INSTRUCTIONS

LEARN INTELLIGENT AIR CONDITIONING

This Portable Air Conditioner is electronically controlled, which allows precise programming to adjust the room temperature. This unit is a small appliance that adjusts the temperature and humidity in a room. It's flexibility makes it easy to use in different applications and in various rooms. This unit is designed for use in a home, office and computer type room. This air conditioner allows you to control the 4 factors that determine optimal comfort in a room.

- **Humidity Rate:** the humidity in a room also causes a sensation of stifling heat in the summer. Your air conditioner not only cools down the temperature, but dehumidifies the air as well.
- **Heater:** The air conditioner will function as a heater, releasing warm air into the room without use of hose extensions.
- **Temperature:** the main function of an air conditioner is to draw hot air out of the room.
- **Airflow:** The air conditioner regulates the airflow, allowing the flow to be directed and ensuring optimal air circulation
- The unit will not instantaneously cool down the room once it is turned on. It will take the unit some time to gradually cool down the room.
- **Ion Generator:** Cleans and freshens the air. Produces Negative Ions For Clean and A Healthy Environment

***Note: Avoid being directly in front of the cold airflow and do not direct it onto people.**

IMPORTANT INSTRUCTIONS

Do not install and use your air conditioner before completely reading these instructions. This will help you optimize the operation of your air conditioner.

The following advice and instructions should be followed closely:

BEFORE OPERATING THE UNIT, BE SURE THE DRAIN PIPE IS CAPPED WITH THE DRAIN PLUG.

1. Your unit must always be used in an upright position because it contains a cooling agent.
2. After unpacking, place the unit upright to allow the cooling agent to stabilize, and wait 3 hours before use.
3. When used for the first time, and every time it is turned on, it takes your unit up to 3 minutes to be operational.

Failure to comply with these instructions may damage the unit and would invalidate the WINDCHASER guarantee.

TROUBLESHOOTING GUIDE

When the air conditioner does not work, it is sometimes a minor problem which the user can handle. Before calling customer service, please check the following points to see if they solve your problem. Additional troubleshooting tips may be found on our website at: www.windchaserproducts.com.

Problem	Probable Causes	Solutions
The air conditioner / dehumidifier doesn't work.	<ol style="list-style-type: none"> 1) Check LCDI plug to be certain it is in an engaged position 2) Plug not properly inserted into wall outlet. 3) Insufficient amount of amperage to start unit. 4) Water tank is full / alarm light illuminated. 	<ol style="list-style-type: none"> 1) Press the test button, then firmly press the reset button. 2) Plug the appliance in properly. 3) Check circuit breaker box for 15-20amp circuit availability. 4) Drain Unit.
The air conditioner cuts off.	<ol style="list-style-type: none"> 1) Exhaust hose too long, run incorrectly or kinked. 2) Unit too close to wall or object. 3) Ceiling or basement does not have ample ventilation. 4) The "timer off" function has been activated. 5) Room temperature is not between 61°-90°F. 	<ol style="list-style-type: none"> 1) Exhaust hose can only be extended using max. 5' of 4" PVC pipe or flex ducting for a total exhaust length of 10'. 2) Unit should be at least 1 ½' away from walls and objects 3) Unit will overheat if the exhaust cannot fully vent. 4) Push the power button to turn unit on. 5) Turn unit back on when room temperature is between 61°-90°F.
The WATER FULL LED indicator light flashes.	The condensate tank is full and the unit cannot drain. This safety feature turns off the unit to protect the unit and prevent the condensate tank from overflowing.	Drain unit from the drain plug at the back of the unit.
The LED display shows the unit is set, but the unit is not running.	The unit's "timer on" feature is activated.	<ol style="list-style-type: none"> 1) This is normal. 2) Push the Power button to turn the unit on and deactivate the "timer on" feature.
E1: Error code	Room temperature sensor is damaged	Need to change the temperature sensor (contact WindChaser Products customer service)
E2: Error code	Room coil sensor is damaged	Need to change the room coil sensor (contact WindChaser Products customer service)
E3: Error code	Anti-freezing protection (compressor)	Contact WindChaser Products customer service
E4: Error code	System protection is abnormal (R22 has leaked)	Contact WindChaser Products customer service

PROTECTION

a) Operating Condition - The protective device will be tripped, and the unit will shut off under these two conditions:

- Cooling: (1) Outdoor air temperature is over 109°F (*43°C). (2) Room temperature is below 61°F (16°C).
- Heating: (1) Outdoor air temperature is below 23°F (-5°C).
- Dry: Room temperature is below 61°F (16°C).

If the air conditioner runs in COOLING or DRY mode with door or window opened for a long time when relative humidity is above 80% condensation may drip down from the outlet.

b) Features of Protector

- Restarting the unit at once after operation stops or if changing mode during operation, you need to wait 3 minutes.
- Connect to power supply and turn on the unit at once, it may start 20 seconds later.
- If the plug is taken out, when you restart the appliance, it will return to the original mode, TIMER ON and TIMER OFF must be set again.

CONDENSATION ELIMINATION SYSTEM

While air conditioning mode, the unit automatically dehumidifies the air in the room. The water from dehumidification is stored in a collecting tank and then is immediately "evaporated" and evacuated via the exhaust port. However, when it is extremely humid, the water in the collecting tank may fill up. In this case, the Water Full Indicator Light turns on and the air conditioner switches itself off.

It is then necessary to drain the water through the condensate drain hose. For draining instructions, please refer to the "Long Term Storage" instructions under the "Cleaning the Unit" instructions.

CLEANING AND STORAGE

Before cleaning the unit, turn it off and unplug it from the outlet. For safety reasons, never wash the air conditioner by hosing it down or wiping it with a dripping wet sponge or cloth.

Exterior surfaces of the unit

- Clean the air conditioner by using a damp sponge, and dry it with a clean, soft cloth.
- Never use alcohol or any product containing solvents.
- Never sprinkle water onto the unit. This may cause an electric shock.

Air filter

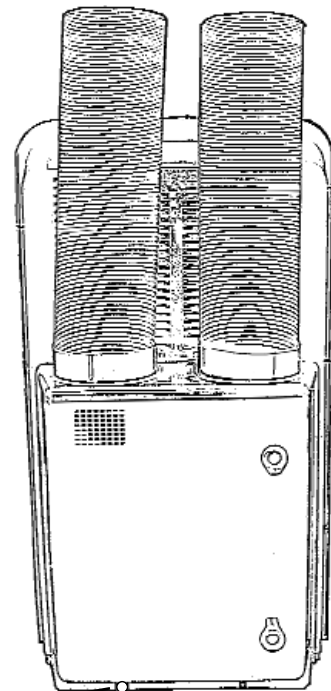
The air filter located on the back of the unit, collects dust contained in the air. To keep the dust from clogging the

unit, your unit must always be used with its air filter.

- The build up of dust reduces the efficiency of the air conditioner. Therefore, the air filter must be cleaned every 100 hours of use, and every two weeks if the unit operates in a dusty atmosphere.
- If the filters are obstructed, the air conditioner will be less efficient.
- To remove the air filter, place fingers in the notch just under the top of the air filter handle and pull up.
- Clean the filter with a vacuum cleaner. If the filter is very dirty, you can wash it in warm water (never use hot or soapy water). Make sure that the air filter is completely dry before putting it back in the unit.
- Do not bend the filter.

LONG TERM STORAGE

At the end of the season, or when you do not plan to use the unit for an extended period of time, we recommend that you take the following steps:



Drain excess water from the drainpan from the Drain Hose

- Run the unit for 3 to 4 hours in fan mode. This will thoroughly dry the inside of the unit.
- Disconnect the unit and wrap the power cord and plug around the cord hooks in the back.
- Take out the batteries from the remote.
- Remove the air hoses and cover the air intake and air outtake holes with the included covers.
- Clean the unit and air filter and store it in its original packaging, protecting it from dust.
- Store the unit in an upright position. Keep it in a cool, dry place and away from sunshine.

Using the unit in wine cellars or in any room with a temperature under 61°F is not recommended.

ENERGY SAVING TIPS

- Blocking of the filter reduces the efficiency of the air and increases its power consumption by up to 6%.
- Avoid opening doors frequently.
- Each person present in a room provides between 100 Watts and 150 Watts of heat. Consequently, the more people there are in a room, the less effective the unit will be in cooling.
- To ensure the optimal efficiency of the unit, we advise you to keep doors and windows closed, and to take into account the surface of the walls and windows exposed to the sun. In this case, in order to optimize the functioning of your air conditioner, we recommend partially closing window coverings.

SPECIFICATIONS

Cooling Capacity:	12,000 BTU/Hour
Heating Capacity:	4100 BTU/Hour
Power Input: Cooling	1450Watt/14.5Amps
Heating	1350 Watt/12Amps
Energy Efficiency Ratio:	8.2
Coolant:	R-22/550g
Moisture Removal:	2.5 Pints / Hour (60 Pints / Day)
Airflow Volume:	177 CFM (Cubic Feet / Minute)
Noise Level:	46 db
Compressor Type:	Rotary
Operating Temperature Range:	Cooling: 61° - 108°F (16° - 42°C) Heating: 23° - 90°F (-5° - 32°C)
Voltage/Frequency:	115V/60Hz
Ionization Capacity:	100,000 PCS/CM ³
Product Dimension (WxHxD):	17.7" (W) x 32.28" (H) x 18.3" (D) 45cm(W) x 82cm(H) x 46.5cm(D)
Product Net Weight:	Net Weight: 83lbs. / 37.6kgs.

1. All wiring must comply with local and national electrical codes and be installed by a qualified electrician. If you have any questions regarding the following instructions, contact a qualified electrician.
2. Check available power supply and resolve any wiring problems before installation and operation of this unit.
3. This product must be grounded. If it should malfunction or breakdown, grounding provides

a path of least resistance for electric current to reduce the risk of electric shock. This product is equipped with a cord having an equipment grounding conductor and a three prong grounding plug. The plug must be plugged into an appropriate three prong outlet that is properly installed and grounded in accordance with all local codes and ordinances. Do not use plug adapters or extension cords with this unit.

SAFETY POWER SUPPLY CORD

This unit is provided with a Leakage Current Detection and Interruption circuit (LCDI) built into the plug of the power supply cord. This device provides protection to reduce the risk of fire due to arcing faults in the power-supply cord. Periodically before using the Room Air Conditioner, follow the "Plug Testing Instructions" given below to ensure that the LCDI circuit is functioning properly.

PLUG TESTING INSTRUCTIONS: TO BE DONE WHILE PLUG IS IN OUTLET.

1. PRESS TEST BUTTON. UNIT SHOULD TRIP.
2. **FIRMLY** PRESS RESET BUTTON FOR USE.

DO NOT USE IF ABOVE TEST FAILS.

The conductors inside this power supply cord are surrounded by shields which monitor the leakage current. These shields are not grounded. Periodically examine the cord for any damage. If the shield gets exposed, immediately unplug the power supply cord and do not use the unit. Do not repair a damaged cord. Replace the damaged cord only with a new replacement power supply cord obtained from the manufacturer.

In the event the LCDI Plug of the power supply cord trips by itself, then first examine the cord for any damage. If there is no damage to the cord then press the RESET Button. If the LCDI Plug trips again, then immediately unplug the power supply cord. Replace the damaged cord with a new replacement power supply cord.

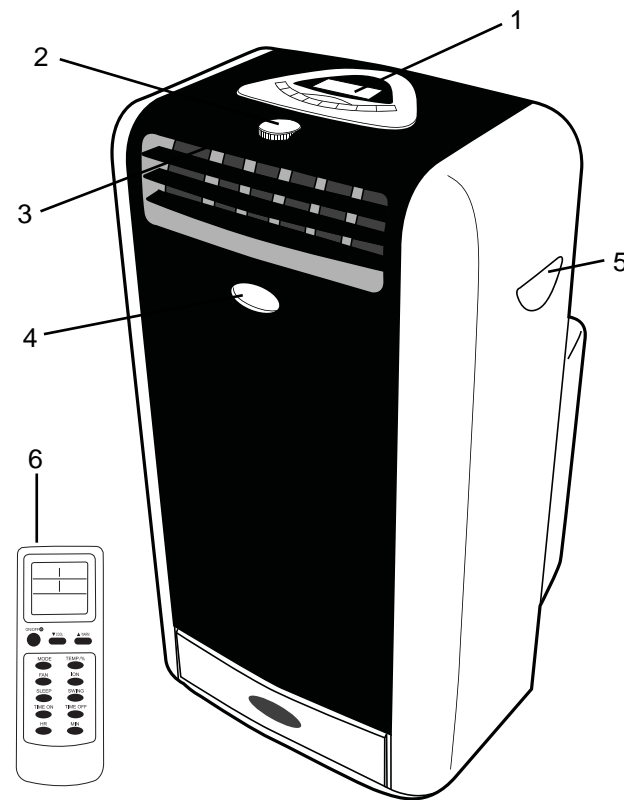
To obtain a new replacement power supply cord contact WindChaser Products Customer Service at: (800) 405-2943 or e-mail at: custserv@windchaserproducts.com.

Do not use The TEST and RESET Buttons as an on / off switch. They are only meant to be used to periodically check the LCDI plug.

PARTS

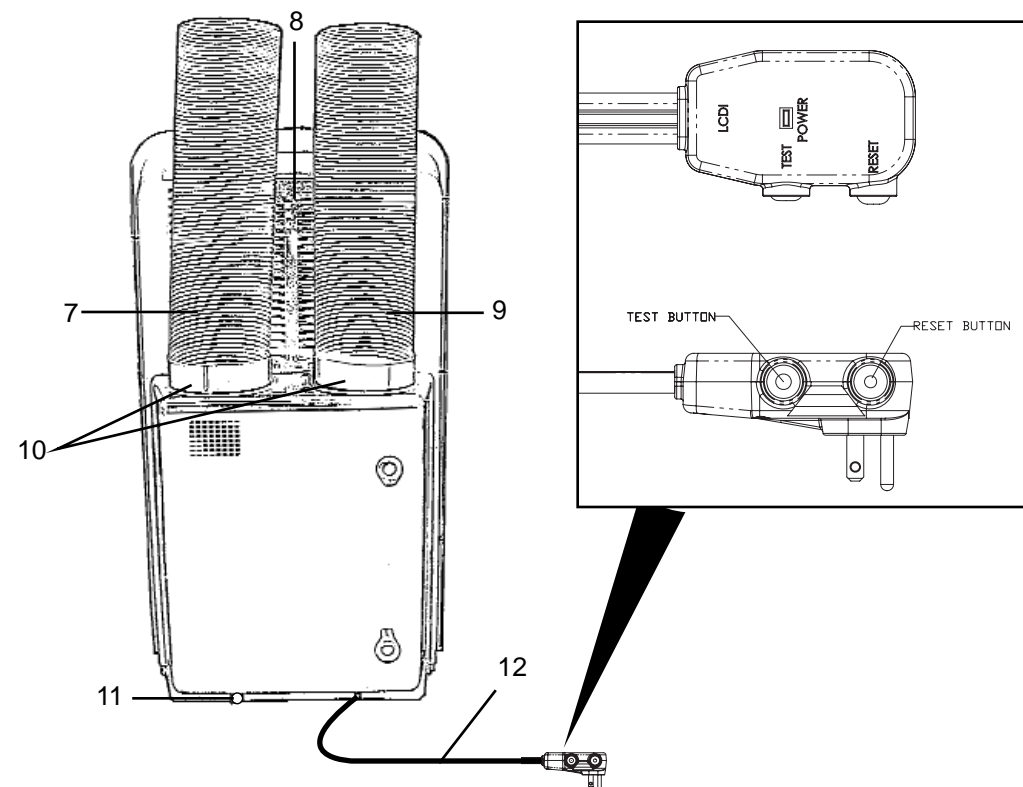
Front View

1. Control Panel with LED Display
2. Adjustable Dial: Thermostat and Timer
3. Adjustable Vertical/Horizontal Louvers
4. LED Display
5. Handle
6. Remote Control



Rear View

7. Air Outlet Hose
8. Evaporator Air Intake
9. Air Intake Hose
10. Hose Connectors
11. Water Stopple and Drain
12. Power Cord
13. LCDI Plug



9. ION BUTTON

Press the Ion Button until '▲' appears on the Main LED display, press again to stop.

10. TIME ON

To program the timer, press Timer On button until the Main LED display shows a flashing '0-1'.

11. TIME OFF

Press Timer Off button and the Main LED display will show a flashing '0-0'.

12. HR

Press to set the desired hour setting.

13. MIN.

Press to set the desired minute setting.

NOTE: ALL SETTINGS CAN BE VIEWED ON THE REMOTE DISPLAY

SETTING THE UNIT TO TURN ON AND SHUT OFF AT A DESIRED TIME.

Press the TIME ON button once, to set the start time of the unit. Press the TIME ON button again to cancel this setting.
Press the TIME OFF button once, to set the end time of the unit. Press the TIME OFF button again to cancel this setting.

To set specific TIME ON

1. Press the TIME ON button once
2. Select the desired hour and minutes you want the unit to turn on again.
 - To set the hours, press the HR button once, advancing the timer 1 hour, continue to press this button, the clock will add by 1hour until extended to 11 hours, then will change to PM or AM and return to 0 (12:00). When the timer advances to 11, the next press will return the timer to either 12:00 am or pm.
 - To set the minutes, press MIN button once, the clock will add by 10 minutes, continue to press this button. The clock will add by 10 minutes until extended to 50 minutes and return to 0.
3. Once time is set do not press the TIME ON button.

To set specific TIME OFF

1. Press the TIME OFF button once
2. Select the desired hour and minutes you want the unit to turn on again.
 - To set the hours, press the HR button once, advancing the timer 1 hour, continue to press this button, the clock will add by 1hour until extended to 11 hours, then will change to PM or AM and return to 0 (12:00). When the timer advances to 11, the next press will return the timer to either 12:00 am or pm.
 - To set the minutes, press MIN button once, the clock will add by 10 minutes, continue to press this button. The clock will add by 10 minutes until extended to 50 minutes and return to 0.
3. Once time is set do not press the TIME OFF button.

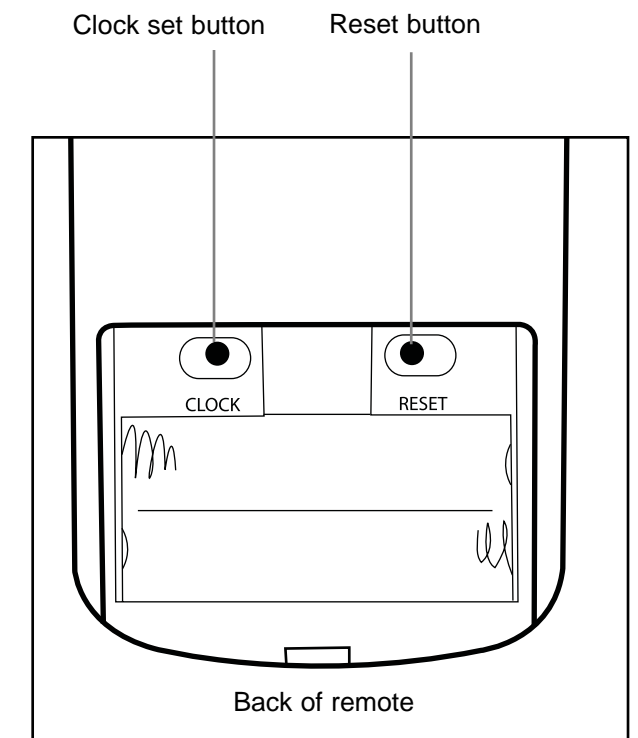
Remote control real time clock instructions

- Open the battery cover of the remote control and press the Clock Set button with a pencil or pen.
- Press the HR. button and MIN button and adjust the correct time.
- Press the Clock Set button again and close the battery cover.
- The display will show the correct time

Clock Time settings: HR and MIN

To set the hours, press HR button once, the time will add 1 hour, continue to press this button, the clock will add by 1hour until extended to 11 hours, then will change to PM or AM and return to 0 (12:00).

To set the minutes, press MIN button once, the clock will add 1 minute, continue to press this button and the clock will add by 1 minute until extended to 59 minutes, then return to 00.



TO RESET ALL FUNCTIONS ON THE REMOTE CONTROL PRESS THE RESET BUTTON WITH A PENCIL OR PEN.

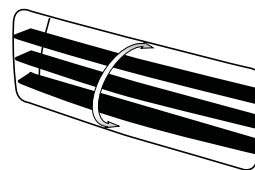
OPERATION USING ADJUSTABLE DIAL SWITCH

To adjust desired temperature and program the timer. Select the desired temperature by turning Adjustable Dial Switch when using the unit in cooling or heating function. The desired temperature range is from 61°F-88°F (16°C-31°C). The LED flashes to display the desired temperature during the setting, it displays the room temperature after 5 seconds.

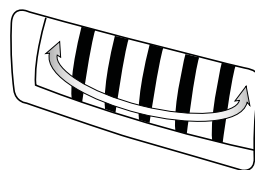
Press Timer On/Off button, turn adjustable dial switch to change the clock to the desired time for the unit being turned on or off.

ADJUSTABLE and OSCILLATING LOUVERS

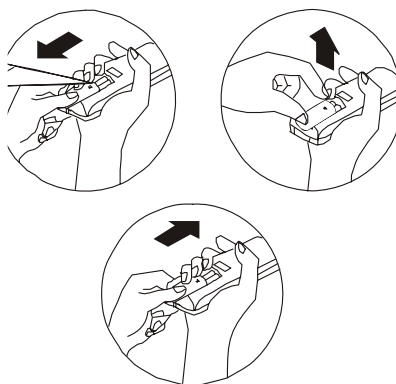
Manual Horizontal Louvers



Automatic Oscillating Louvers



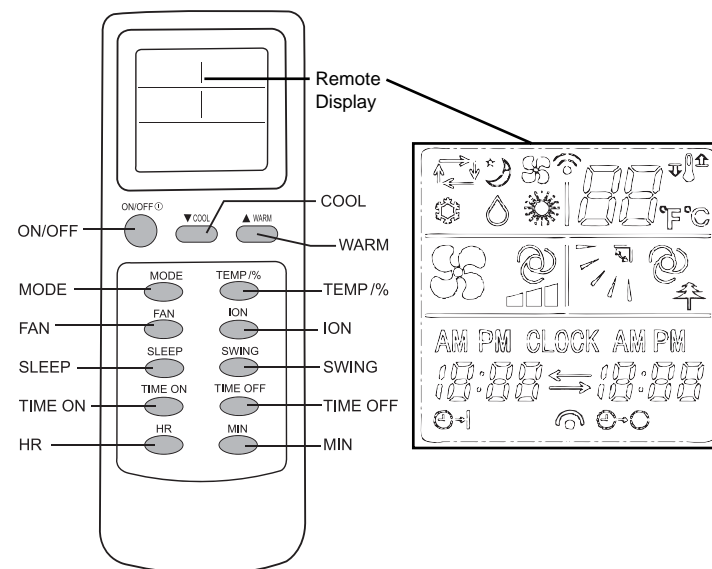
REMOTE CONTROL PREPARATIONS



1. Remove the cover from the back of the remote control.
2. Insert two AAA dry-cell batteries (batteries included)
3. Insert the power plug into an outlet.
4. Always point the remote control signal transmitter toward the unit when operating.
5. Make sure that the signal path is not obstructed.
6. The maximum distance at which signals can be received is 26.24 feet.
7. Remove the batteries if the unit is not going to be used for an extended period of time.

NOTE:

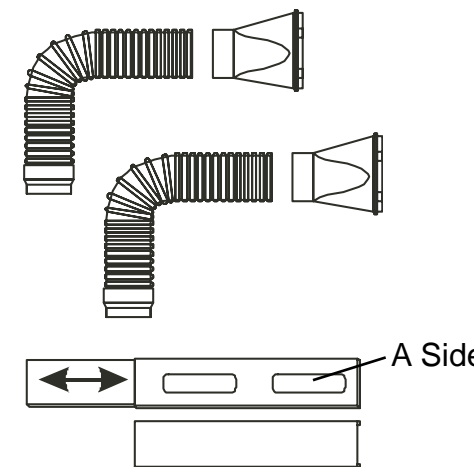
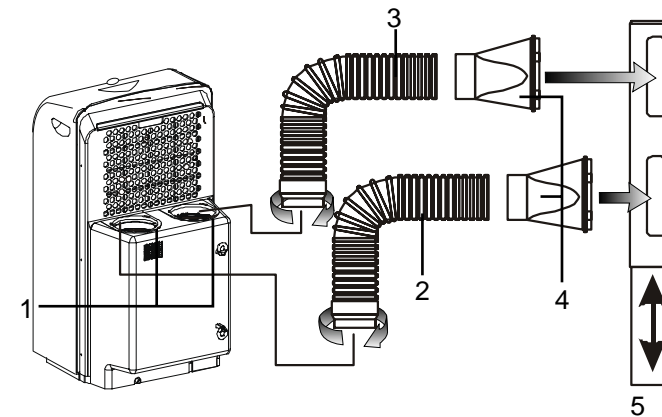
1. Do not abuse the remote control.
2. Do not place the remote control in a location that is exposed to direct sunlight or next to a heating unit or other heat source.
3. Do not use rechargeable batteries because they differ from standard dry cell batteries in shape, dimension and performance.
4. Be sure to replace the batteries with two new batteries of the same type.



REMOTE CONTROL FUNCTIONS

1. **ON/OFF-**
Starts or Stops the Unit
2. **WARM**
Adjust to desired warm temperature.
3. **COOL**
Adjust to desired cool temperature.
4. **MODE**
Select the functions of the unit for: Fan Mode, Air Conditioning Mode, Heating Mode, Dehumidifying Mode and Auto Mode
5. **TEMP,/%**
To display temperature or humidity on both Main LED and LED. Hold the button more than 3 seconds, to convert the temperature display from Fahrenheit (°F) to Celsius (°C) and vice versa. Press the button for less 3 seconds to view the humidity.
6. **FAN**
Select the fan speed desire: High, Medium and Low. The fan speed can be visually distinguished by the speed of the digital air segments progressing out from the wind mill fan image on the Main LED display.
7. **SWING**
To start swinging air louvers horizontally by press SWING Button once. At the moment, appears on the Main LED display. To stop, press SWING again. Vertical air flow direction can be adjusted manually.
8. **SLEEP BUTTON**
Press to select the function of the unit for Sleep Mode.

EXHAUST KIT INSTALLATION

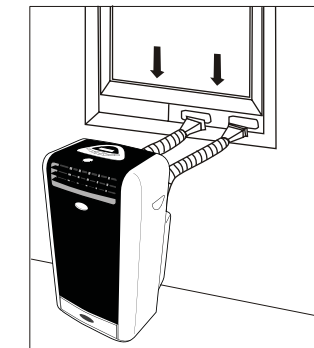


WINDOW INSTALLATION

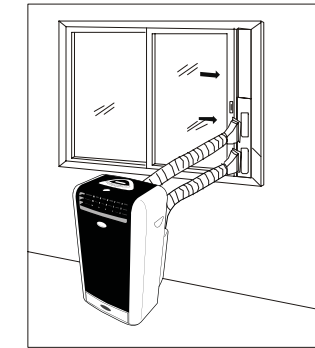
1. Exhaust Ports
 2. Air Outlet Hose (exhaust)
 3. Air Intake Hose
 4. Window Exhaust and Intake Adapter (2)
 5. Adjustable Window Panel
- Air Inlet and Air Outlet Hose: Extends from 17" (43cm) up to 5.9 ft (1.8m)

Window Kit: Extends from 28.375" (72cm) up to 55.625" (140cm)

NOTE: Air outlet hose (exhaust) should be mounted at A side

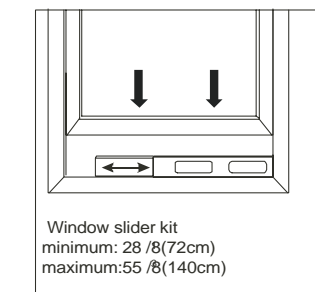
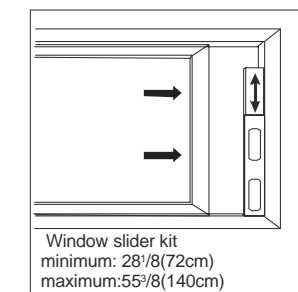


Horizontal



Vertical

NOTE: Your window kit has been designed to fit most standard vertical and horizontal window applications. However, it may be necessary for you to improvise/modify some aspects of the installation procedures for certain types of windows. Please refer to measurements below:



- 1) Select a suitable location, making sure you have easy access to an electrical outlet.
- 2) Remove the 2 hoses, 2 window exhaust adapters, 1 window panel kit.
- 3) To install the flexible exhaust hoses, insert the end of the hose with the round connector into either the air inlet or air outlet hole on the back of the unit. Turn the hose clockwise to secure the hose into the hole. Do this for both hoses.
- 4) Screw the window exhaust adapters on both hoses by turning them clockwise.
- 5) Insert the air inlet window exhaust Adapter into the left hole of the window panel kit. Then insert the air outlet window exhaust Adapter in the right hole of the window panel kit.

NOTE: 1. Step 3 is required only when using cooling or dehumidification modes. In cooling mode the two hoses or the air outlet hose can be installed for the unit to operate. 2. While operating or installing, the hoses should not be blocked by curtains or any other obstructions.

NOTE: WHEN PLACING THE WINDOW PANELS VERTICAL, MAKE SURE THE AIR OUTLET HOSE IS SECURED TO THE TOP OUTLET HOLE OF THE WINDOW PANEL.

6) The air conditioner can now be plugged into a 110-120V/60Hz dedicated 15amp or greater circuit. You are advised not to use an extension cord, however, if this is unavoidable, the extension cord must be 14 gauge, grounded at both ends and not more than 30 feet long.

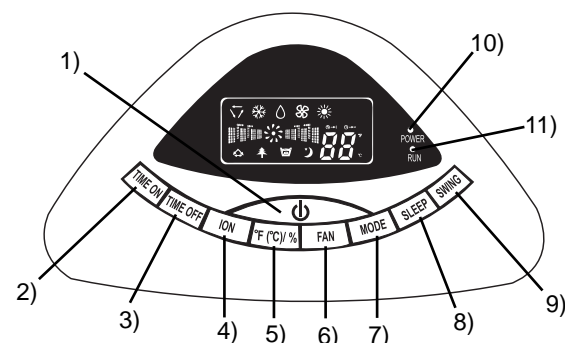
If you need to extend your exhaust hose, it may be extended 5 feet only. Using a 5 foot, 4 inch diameter PVC pipe (available at your local hardware store), you must cut the exhaust hose in half and duct tape the PVC pipe in between the two cut pieces of the exhaust hose for a maximum exhaust length of 10.9 feet. Flex ducting is also recommended for extending the exhaust hose. DO NOT USE ALUMINUM TYPE EXHAUST HOSE TO LENGTHEN THE EXHAUST.

The compressor is an essential component of the appliance for producing cold air. This appliance is fitted with a thermal protection device which allows the compressor to be started only after a time delay of up to three minutes.

BEFORE OPERATING THE UNIT, BE SURE THE DRAIN PIPE IS CAPPED WITH THE DRAIN PLUG.

OPERATING INSTRUCTIONS AND FUNCTIONS

SOFT TOUCH CONTROLS AND FUNCTIONS



MAIN LED DISPLAY



LED DISPLAY



ADJUSTABLE DIAL: THERMOSTAT & TIMER



Control Panel

- 1) **Power On/Off** Starts or Stops the Unit
- 2) **Time On Button** To program the timer, press Timer On button until the Main LED display shows a flashing ' '. Turn the adjustable dial switch to change the timer to the desired time for the unit being turned on. Turn clockwise for increase in time and counter clockwise for decrease in time.
- 3) **Time Off Button** Press Timer Off button and the Main LED display will show a flashing ' '. Turn the adjustable dial switch to change the clock to the desired time for the unit being turned off. Turn clockwise for increase in time and counter clockwise for decrease in time.

The light will flash for 3 seconds to activate the timer you have just programmed.

- 4) **Ion Button** Press the Ion Button until ' ' appears on Main LED display, press again to stop.
- 5) **Temperature/ Humidity Button** To display temperature or humidity on both the Main LED and LED Display. Hold the button more than 3 seconds, to convert the temperature display from Fahrenheit (°F) to Celsius (°C) and vice versa. To adjust the desired temperature setting turn the Adjustable Dial clockwise for increase of temperature or counter clockwise for decrease of temperature.

NOTE: This function can only be used while in cooling and heating mode. Press the button less than 3 seconds, to convert the display from humidity to room temperature and vice versa.

The room temperature display range is from 32°F- 99°F (0°C- 37°C) .

NOTE: The display temperature may differ from actual temperature by ± 4 °F (± 2 °C)

- 6) **Fan Speed Button** Select the fan speed desired: High, Medium or Low. The fan speed can be visually distinguished by the speed of the digital air segments progressing out from the windmill fan image on the Main LED display.
- 7) **Mode Button** Select the functions of the unit for: Fan Mode , Cooling Mode , Heating Mode , Dehumidifying Mode and Auto Mode .
- 8) **Sleep Button** Press to select the function of the unit for Sleep Mode.
- 9) **Swing Button** To start swinging air louvers horizontally by press SWING Button once. The symbol, ' ' will appear on the Main LED display. To stop, press SWING again. Vertical air flow direction can be adjusted manually.
- 10) **Power Indicator Light** Indicates the unit is on.
- 11) **Run Indicator Light** Indicates the unit is in working mode

Operating Functions

- 1) **Cooling Operation**
 - a) Install the exhaust ducts properly.
 - b) Plug the Power Cord to the power outlet.
 - c) Turn on the unit by pressing the ' ' Button on the control panel.
 - d) Press Mode Button until ' ' appears on the Main LED display
 - e) Turn the adjustable dial switch until the desired room temperature appears on the LED. The desired temperature range is from 61°F-88 °F (16°C-31°C).
 - f) Select the fan speed by pressing the Fan Button.

NOTE: During hot days, the unit will cool off the room most efficiently by setting the temperature at the lowest and the fan speed at the highest. Reducing the length of the exhaust duct and insulating the exhaust duct and keeping direct sunlight to a minimum will also improve the cooling efficiency.

*WE RECOMMEND SETTING THE DESIRED ROOM TEMPERATURE AT 70°F (21°C) OR ABOVE WHEN FIRST ATTEMPTING TO COOL THE ROOM (ROOM TEMPERATURE IN EXCESS OF 85°F (29°C)). ONCE THE ROOM HAS COOLED BELOW 80°F (26°C), YOU MAY ADJUST THE DESIRED ROOM TEMPERATURE BELOW THE INITIAL 70°F (21°C) SETTING.

- 2) **Dehumidifying Operation**
 - a) Install the exhaust ducts properly
 - b) Plug the Power Cord into the power outlet.
 - c) Turn on the unit by pressing the ' ' Button on the control panel.
 - d) Press the Mode Button until the ' ' appears on the Main LED display. NOTE: The unit operates at low fan speed during dehumidifying. The unit cools room slightly during the dehumidification. Keep the windows and the doors closed to aid in the effectiveness of the unit in removing the moisture from the room. The unit will not perform dehumidification function when the room temperature is lower than 61°F(16°C).
- 3) **Fan Operation**
 - a) Plug the Power Cord into the power outlet.
 - b) Turn the unit on by pressing the ' ' Button on the control panel.
 - c) Press the Mode Button until ' ' appears on the Main LED display.
 - d) Select the fan speed by pressing the Fan Button.

NOTE: When the unit is running on fan mode, the exhaust duct is inoperative and is not required.

- 4) **Heating Operation**
 - a) Plug the Power Cord into the power outlet.
 - b) Turn on the unit by pressing the ' ' Button on the control panel.
 - c) Press the Mode Button until ' ' appears on the Main LED display.
 - d) Turn the adjustable dial switch until the desired room temperature appears on the LED. The desired temperature range is from 61°F-88°F (16°C-31°C).

e) Select the fan speed by pressing the Fan button. It is recommended to use the low fan speed. NOTE: When the unit is running on heating mode, the exhaust duct is inoperative and is not required.

- 5) **Auto Operation**
 - a) Install the exhaust ducts properly
 - b) Plug the Power Cord into the power outlet.
 - c) Turn on the unit by pressing the ' ' Button on the control panel.
 - d) Press the Mode Button until the ' ' appears on the Main LED display.
 - e) Select the fan speed by using FAN button.

During AUTO mode, the unit operates in heating mode when the room temperature is below 68°F (20°C). It operates in dehumidifying mode when the room temperature is between 68°F (20°C) to 80°F(26.6°C). It operates in cooling mode when the room temperature is above 80°F(26.6°C). You may use the timer with the AUTO mode.

- 6) **Sleep Mode**
 - a) The air conditioner is in operation
 - b) Press SLEEP Button, the symbol ' ' appears on the Main LED display.
 - c) The fan motor will run on low speed
 - d) When in cooling mode, within the first two hours, the temperature will be increased by one degree per hour. Then the temperature will be kept at 2 °F higher than the originally set temperature for 6 hours. 6 hours later, the temperature will return to the original setting.
 - e) When in heating mode, within the first 2 hours, the temperature will decrease by one degree per hour. Then the temperature will be kept at 2 degrees lower than the original temperature for 6 hours. 6 hours later, the temperature will return to its original setting.
 - g) When in dehumidifying mode, the temperature will not be changed.

NOTE: When the room temperature is low and the indoor humidity is high, the condensation formed by the air conditioner in use may not be discharged quickly. The symbol ' ' appears on the Main LED display. In order for your unit to continue to run, you can pull out the "Drain Port" which is located in the lower left bottom of the back of the unit. The condensation will be discharged several minutes after the water has been drained. Please use at least a 3.17 pint pan to catch the dripping water. It is not advisable to use the continuous drain method when the room temperature is higher than 88° (31°C).

Free Manuals Download Website

<http://myh66.com>

<http://usermanuals.us>

<http://www.somanuals.com>

<http://www.4manuals.cc>

<http://www.manual-lib.com>

<http://www.404manual.com>

<http://www.luxmanual.com>

<http://aubethermostatmanual.com>

Golf course search by state

<http://golfingnear.com>

Email search by domain

<http://emailbydomain.com>

Auto manuals search

<http://auto.somanuals.com>

TV manuals search

<http://tv.somanuals.com>