

# ***ADS5423/24/33 and ADS5411 EVM User Guide***

*User's Guide*

***February 2006***

---

***SLWU020B***



<b>1</b>	<b>Overview</b> .....	<b>5</b>
1.1	Purpose .....	5
1.2	EVM Basic Functions.....	5
1.3	Power Requirements .....	5
1.3.1	Voltage Limits .....	5
1.4	EVM Operational Procedure .....	5
<b>2</b>	<b>Circuit Description</b> .....	<b>7</b>
2.1	Schematic Diagram.....	7
2.2	Circuit Function .....	7
2.2.1	Analog Inputs .....	7
2.2.2	Power.....	7
2.2.3	Outputs.....	7
<b>3</b>	<b>Parts List</b> .....	<b>9</b>
<b>4</b>	<b>Physical Description</b> .....	<b>11</b>
4.1	PCB Layout .....	11
4.2	Schematics.....	17

---

## List of Figures

4-1	Top Layer.....	11
4-2	Layer 2, Ground Plane .....	12
4-3	Layer 3, Power Plane #1 .....	13
4-4	Layer 4, Power Plane #2 .....	14
4-5	Layer 5, Ground Plane .....	15
4-6	Layer 6, Bottom Layer .....	16

## List of Tables

1-1	Three Pin Jumper List Table .....	6
2-1	Output Connector J9 .....	8
2-2	Test Point Description .....	8
3-1	Bill of Materials for EVM .....	9

## Overview

---

---

---

This User's Guide document gives a general overview of the ADS5423/24/33 and ADS5411 evaluation module (EVM) and provides a general description of the features and functions to be considered while using this module.

### 1.1 Purpose

The EVM provides a platform for evaluating the ADS5423/24/33 14-bit analog-to-digital converter (ADC) under various signals, references, and supply conditions. This evaluation module also allows the evaluation of the ADS5411, an 11-bit analog-to-digital converter. This document should be used in combination with the EVM schematic diagram supplied.

### 1.2 EVM Basic Functions

Analog input to the ADC is provided via external SMA connectors. The single-ended input the user provides is converted into a differential signal at the input of the device. One input path uses a differential amplifier, while the other input is transformer coupled.

The EVM provides an external SMA connector for input of the ADC clock. The single-ended input the user provides is converted into a differential signal at the input of the device.

Digital output from the EVM is via a 40-pin connector. The digital outputs from the ADC are buffered before going to the connector.

Power connections to the EVM are via banana jack sockets. Separate sockets are provided for the ADC analog and digital supplies, the external buffer supply, and the differential amplifier supply.

### 1.3 Power Requirements

The EVM can be powered directly with only two supplies: a 3.3-V supply for the ADC digital driver supply and external buffer supply, and 5 V for the ADC analog supply if using the EVM with transformer coupled analog inputs. If using the differential amplifier analog inputs,  $\pm 5$  V is required. Provision has also been made to allow the EVM to be powered with independent 3.3-V supplies to provide higher performance.

#### 1.3.1 Voltage Limits

**Exceeding the maximum input voltages can damage EVM components. Under voltage may cause improper operation of some or all of the EVM components.**

### 1.4 EVM Operational Procedure

The EVM provides a flexible means of evaluating the ADS5423/24/33 or ADS5411 in a number of modes of operation. A basic setup procedure that can be used as a board confidence check is as follows:

1. Verify all jumper settings against the schematic jumper list in [Table 1-1](#).

**Table 1-1. Three Pin Jumper List Table**

JUMPER	FUNCTION	LOCATION: PINS 1–2	LOCATION: PINS 2–3	DEFAULT
SJP3	Provides AIN+ source to ADC device	Source provided from T2	Source provided from Diff Amp	1–2
SJP4	Provides AIN– source to ADC device	Source provided from Diff Amp	Source provided from T2	2–3

2. Connect supplies to the EVM as follows:
  - +5 V (4.75 V–5.25 V) ADC analog supply to J3 and return to J2.
  - +3.3 V (3 V–3.6 V) digital buffer supply to J4 and J1 and return to J6
3. Switch power supplies on.
4. Use a function generator with 50-Ω output to input a 105-MHz, 0-V offset, 1-Vrms sine-wave signal into J5. The frequency of the clock must be within the specification for the device speed grade.
5. Supply an input signal by using a frequency generator with a 50-Ω output to provide a 15.5 MHz, 0-V offset, –1-dBFS amplitude sine-wave signal into J11. A full-scale input tone into the ADC device is a differential 2.2 Vpp and dBFS can be calculated by using the following formula:
 
$$- \text{dBFS} = 20 \log \frac{\text{captured max code} - \text{captured min code}}{2^N}, \text{ where } N \text{ is the number of bits.}$$
6. The digital pattern on the output connector J9 should now represent a 2's compliment sine wave and can be monitored using a logic analyzer.

## Circuit Description

---

---

---

### 2.1 Schematic Diagram

The schematic diagram for the EVM is attached at the end of this document.

### 2.2 Circuit Function

The following paragraphs describe the function of EVM circuits. See the relevant data sheet for the device operating characteristics.

#### 2.2.1 Analog Inputs

The EVM can be configured to provide the ADC with either transformer-coupled or differential amplifier inputs from a single-ended source. The default configuration uses the transformer configuration for which the layout has been optimized to give the best performance. The inputs are provided via SMA connectors J11 for transformer coupled input and J10 for differential amplifier input. To setup for one of these options, the EVM must be configured as follows:

1. For a 1:1 transformer coupled input to the ADC, a single ended source is connected to J11. SJP3 has pins 1 and 2 shorted and SJP4 has pins 2 and 3 shorted. This is the default configuration for the EVM.
2. For a differential input into the amplifier, the input source is connected to J10. SJP3 has pins 2 and 3 shorted and SJP4 has pins 1 and 2 shorted.  $\pm 5\text{VDC}$  must be connected to the board to provide power to U3 and U4 for this configuration.

#### 2.2.2 Power

Power is supplied to the EVM via banana jack sockets. A separate connection is provided for a +3.3V digital buffer supply (J1 and J2), 5-V analog supply (J3 and J2),  $\pm 5\text{-V}$  amplifier supply (J7, J8, and J12), and 3.3-V external buffer supply (J4 and J6). A single 3.3-V buffer supply could be used by installing L6. In this case, connect the 3.3 V to J1 and the return to J2.

#### 2.2.3 Outputs

The data outputs from the ADC are buffered using a Texas Instruments SN74AVC16244. Output data header J9 is a standard 40-pin header on a 100-mil grid, and allows easy connection to a logic analyzer. The connector pinout is listed in [Table 2-1](#). Furthermore, two test points are provided and can be monitored using a multimeter. Description of the test points is listed in [Table 2-2](#).

**Table 2-1. Output Connector J9**

J9 PIN	DESCRIPTION	J9 PIN	DESCRIPTION
1	CLK	21	DATA BIT 6
2	GND	22	GND
3	NC	23	DATA BIT 7
4	GND	24	GND
5	NC	25	DATA BIT 8
6	GND	26	GND
7	NC	27	DATA BIT 9
8	GND	28	GND
9	DATA BIT 0 (LSB)	29	DATA BIT 10
10	GND	30	GND
11	DATA BIT 1	31	DATA BIT 11
12	GND	32	GND
13	DATA BIT 2	33	DATA BIT 12
14	GND	34	GND
15	DATA BIT 3	35	DATA BIT 13 (MSB)
16	GND	36	GND
17	DATA BIT 4	37	OVERFLOW
18	GND	38	GND
19	DATA BIT 5	39	DRV <sub>DD</sub>
20	GND	40	GND

**Table 2-2. Test Point Description**

TEST POINT	FUNCTION
J14	Monitor Vref (AVDD/2)
J17	Monitor DMID (DVDD/2)



## Parts List

Table 3-1 lists the parts used in constructing the EVM

**Table 3-1. Bill of Materials for EVM**

VALUE	QTY	PART NUMBER	VENDOR	REF DES	NOT INSTALLED
<b>CAPACITORS</b>					
0.1 $\mu$ F, 25 V, +80/–20% Capacitor	4	ECJ-0EF1E104Z	Panasonic	C1, C2, C3, C4	
0.01 $\mu$ F, 25 V, +80/–20% Capacitor	6	ECJ-0EF1E103Z	Panasonic	C30, C31, C32, C33, C34, C35	
220 pF, 50 V, 5%, Capacitor	6	ECJ-OEC1H221J	Panasonic	C41–C46	
22 pF, 50 V, 5%, Capacitor	1	ECJ-1VC1H220J	Panasonic	C26	
220 pF, 50 V, 5%, Capacitor	3	ECJ-1VC1H221J	Panasonic	C47, C48, C49	
0.01 $\mu$ F, 16 V, 10% Capacitor	7	ECJ-1VB1C103K	Panasonic	C27, C28, C29, C36, C37, C38, C39	
0.1 $\mu$ F, 16 V, 10% Capacitor	12	ECJ-1VB1C104K	Panasonic	C6, C8, C11, C12, C14, C16, C17, C18, C19, C24, C25, C40	
470 pF, 50 V, 5% Capacitor	4	ECJ-1VC1H471J	Panasonic	C20, C21, C22, C23	
10 $\mu$ F, 10 V, 10%, Capacitor	1	ECS-T1AX106R	Panasonic	C15	
33 $\mu$ F, 10 V, 10% Capacitor	5	ECS-T1AX336R	Panasonic	C5, C7, C9, C10, C13	
<b>RESISTORS</b>					
51.1 $\Omega$	2	CTS_742	CTS	R5, R25	
0 $\Omega$	2	CTS_742	CTS	R7, R8	
24.9 $\Omega$ resistor, 1/16 W, 1%	4	ERJ-3EKF24R9V	Panasonic	R6, R11, R12, R27	
49.9 $\Omega$ resistor, 1/16 W, 1%	5	ERJ-6EKF49R9V	Panasonic	R1, R4, R10, R18, R23	R9
36.5 $\Omega$ resistor, 1/16 W, 1%	2	ERJ-6EKF36R5V	Panasonic	R2, R3	
499 $\Omega$ resistor, 1/16 W, 1%	4	ERJ-6EKF4990V	Panasonic	R14, R15, R16, R17	
0 $\Omega$ resistor, 1/16 W, 1%	1	ERJ-6ENF0R00V	Panasonic	R24	
200 $\Omega$ resistor, 1/16 W, 1%	0	ERJ-3RKF2000X	Panasonic		R13
<b>FERRITE BEAD, JUMPER, TRANSFORMER, JACKS, CONN etc.</b>					
Ferrite Bead	5	EXC-ML32A680U	Minicircuits	L1–L5	
ADT1-1WT	1	ADT1-1WT	Minicircuits	T2	
ADT4-1WT	1	ADT4-1WT	NEWARK	T3	
SMA End Small	3	16F3627	Keystone	J5, J10, J11	
Red Test Point	1	5001K-ND	Keystone	J14	
Black Test Point	1	5000K-ND	Allied	J17	
Red Banana Jack	5	ST-351A	Allied	J1, J3, J4, J8, J12	
Black Banana Jack	3	ST-351B	Samtec	J2, J6, J7	
40-Pin IDC Connector	1	TSW-120-07-L-D		J9	
3 Circuit Jumper	2			SJP3, SJP4	

**Table 3-1. Bill of Materials for EVM (continued)**

VALUE	QTY	PART NUMBER	VENDOR	REF DES	NOT INSTALLED
<b>ICs</b>					
ADS5423/24/33 or ADS5411	1	ADS5423/24/33 or ADS5411	Texas Instruments	U1	
SN74AVC16244	1	SN74AVC16244DGG	Texas Instruments	U2	
THS4503	1	THS4503	Texas Instruments	U3	
THS4601	1	THS4601	Texas Instruments	U4	
Surface Mount Jumper Location: SJP3 (2-1), SJP4 (2-3)					

## Physical Description

This chapter describes the physical characteristics and PCB layout of the EVM and lists the components used on the module.

### 4.1 PCB Layout

The EVM is constructed on a 6-layer, 4.77-inch × 3.4-inch, 0.062-inch thick PCB using FR-4 material. The individual layers are shown in Figure 4-1 through Figure 4-6.

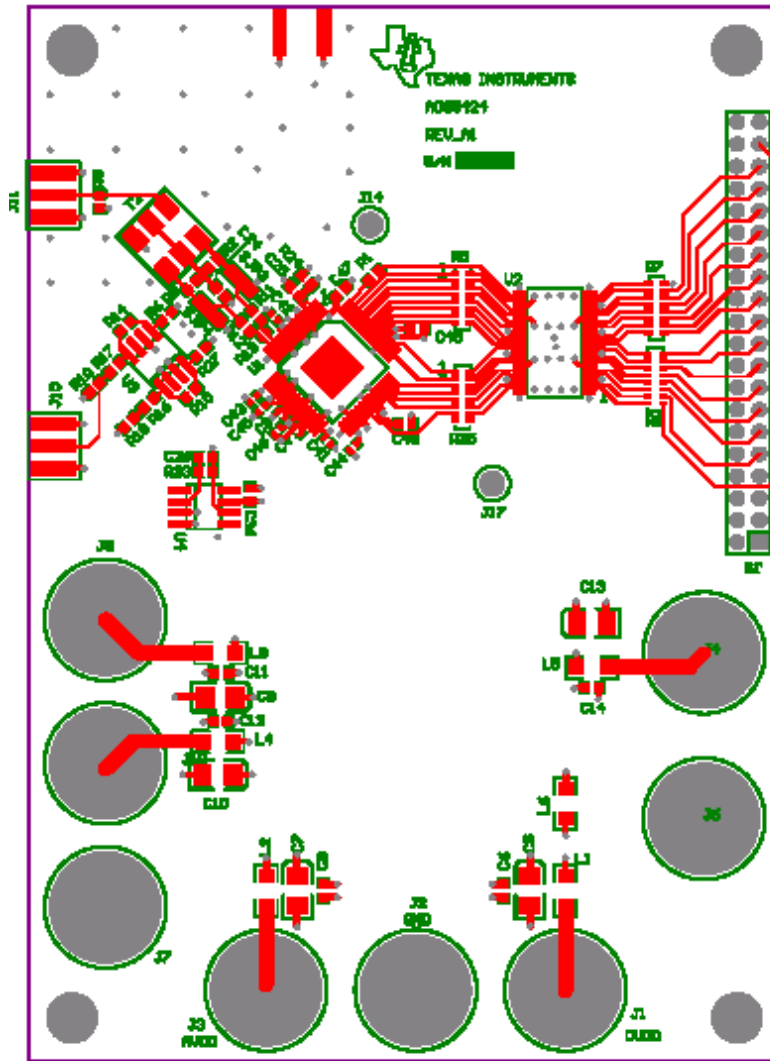


Figure 4-1. Top Layer

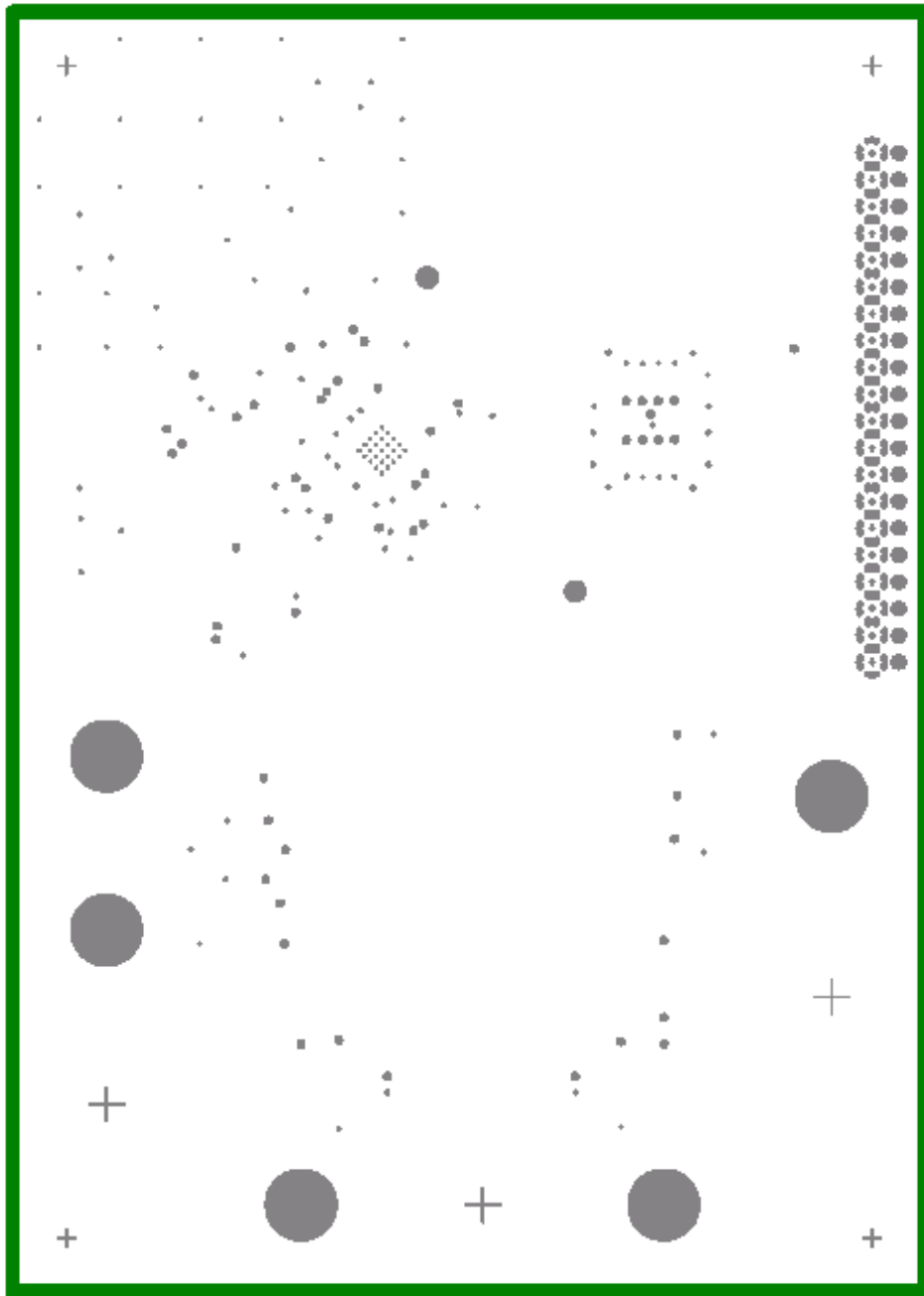


Figure 4-2. Layer 2, Ground Plane

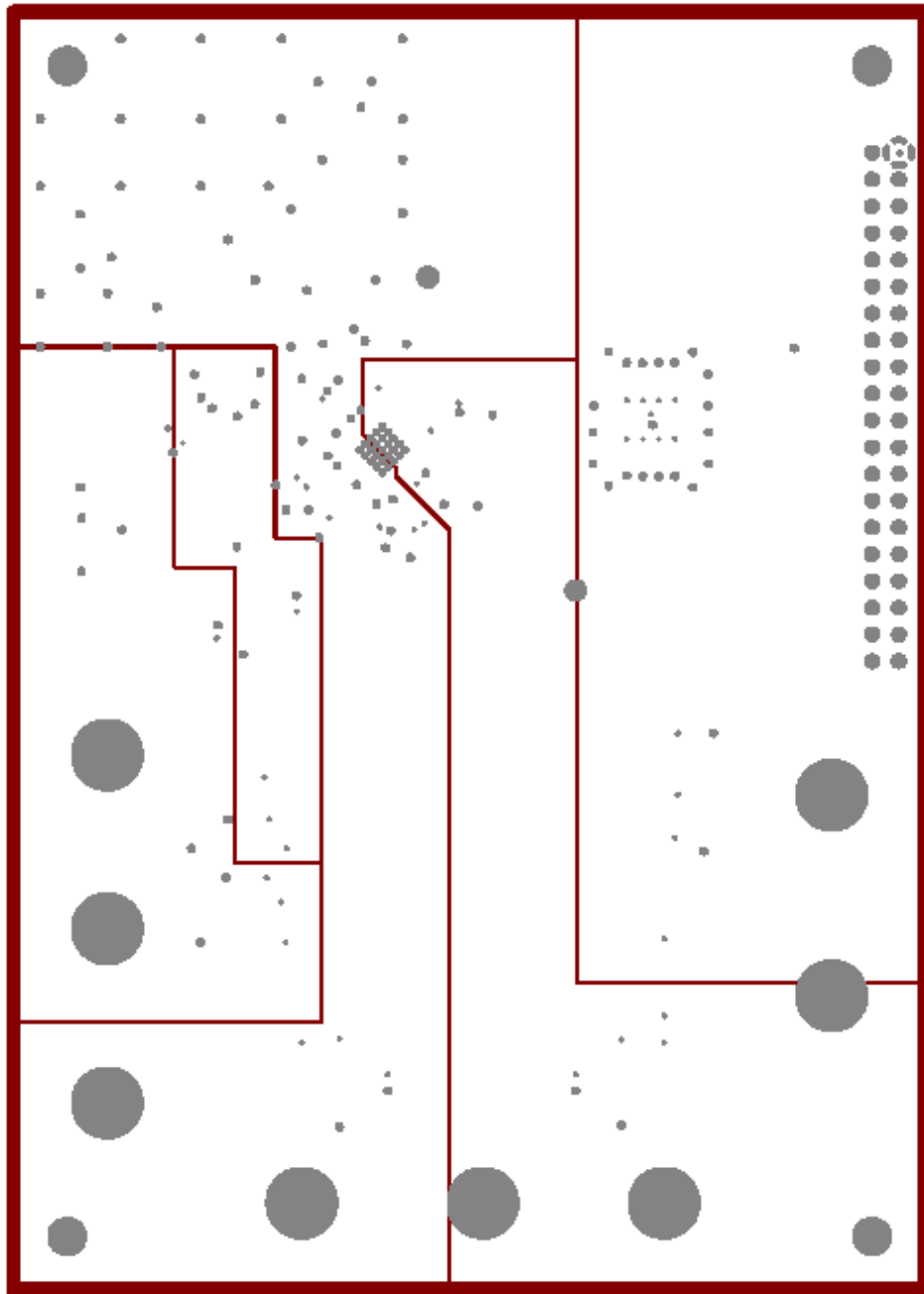


Figure 4-3. Layer 3, Power Plane #1

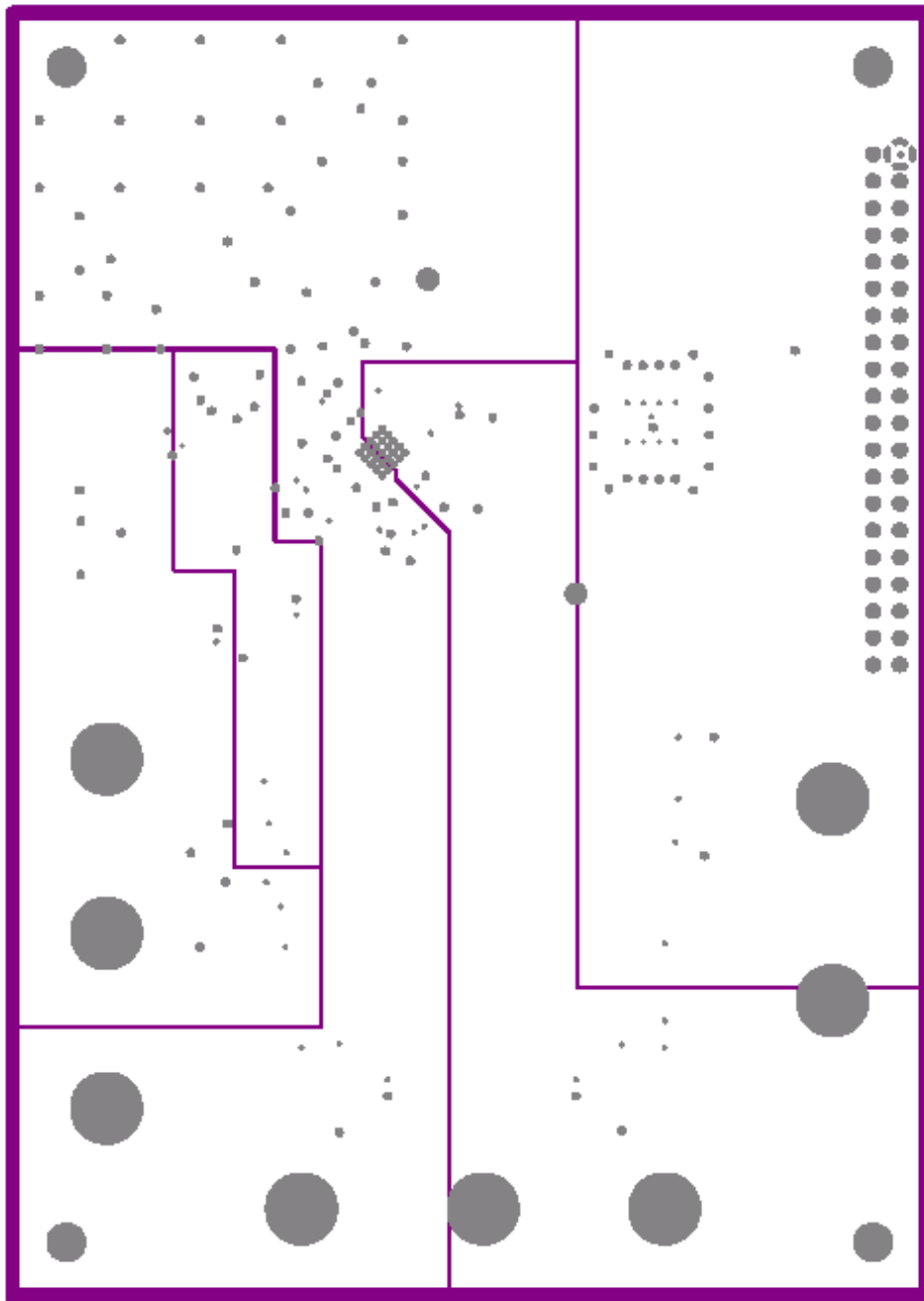


Figure 4-4. Layer 4, Power Plane #2

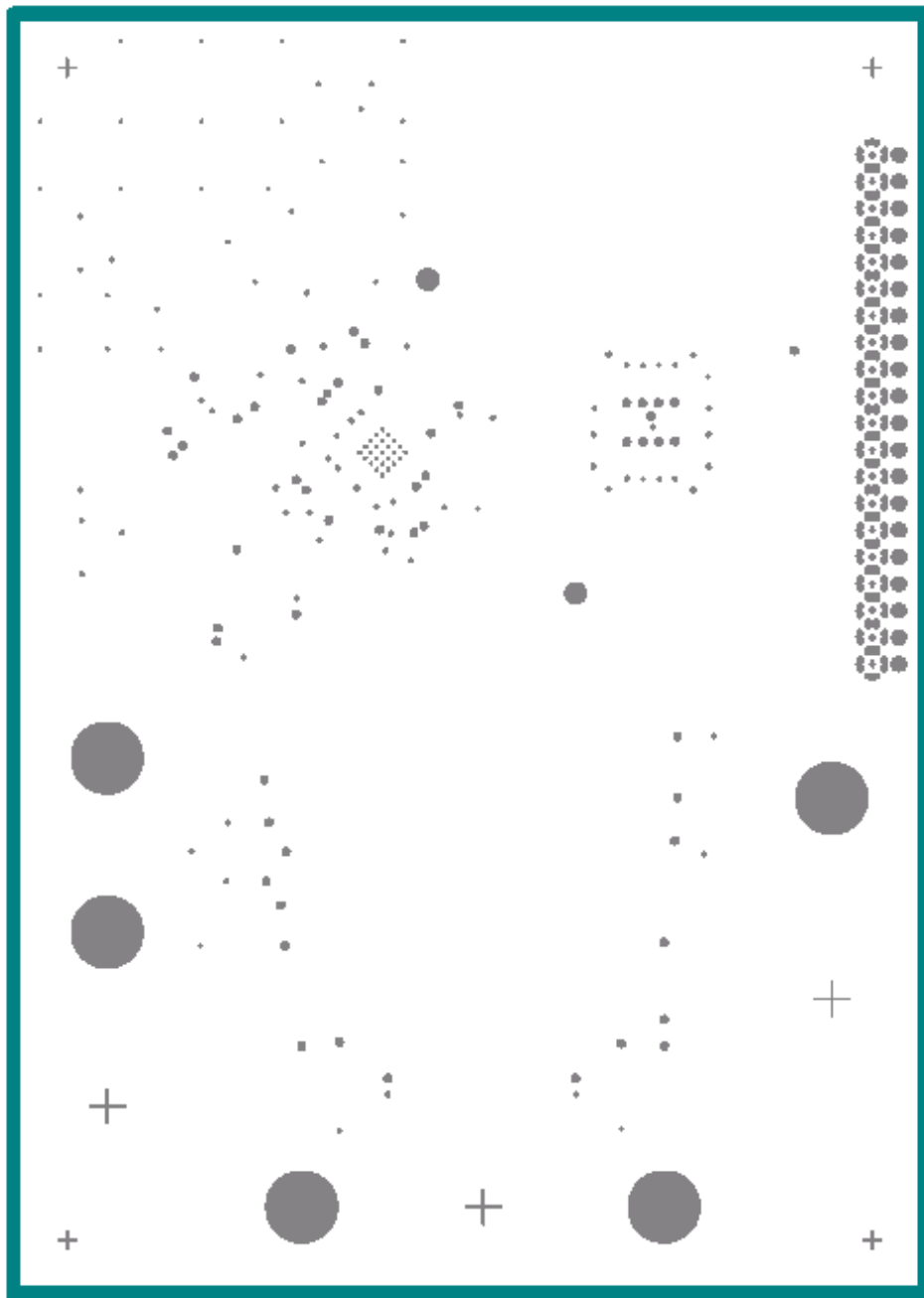


Figure 4-5. Layer 5, Ground Plane

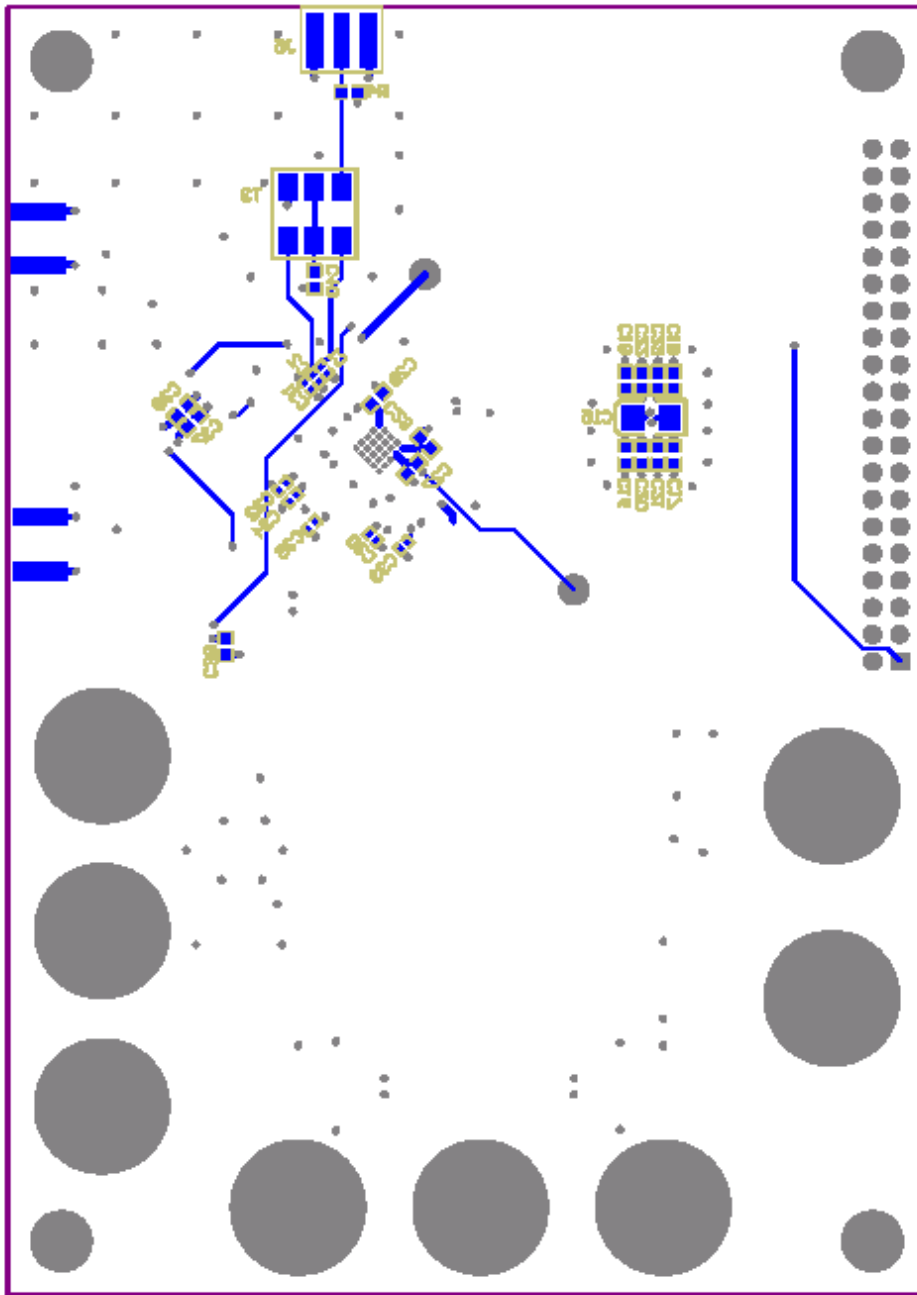
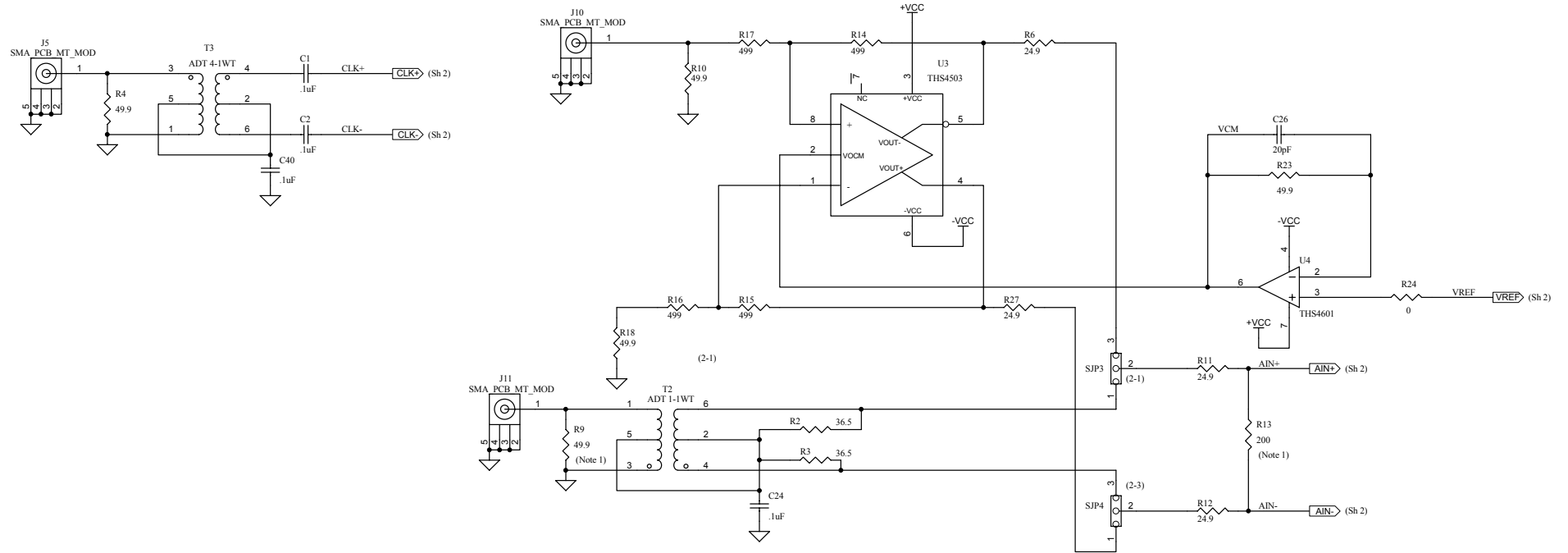


Figure 4-6. Layer 6, Bottom Layer



## 4.2 Schematics



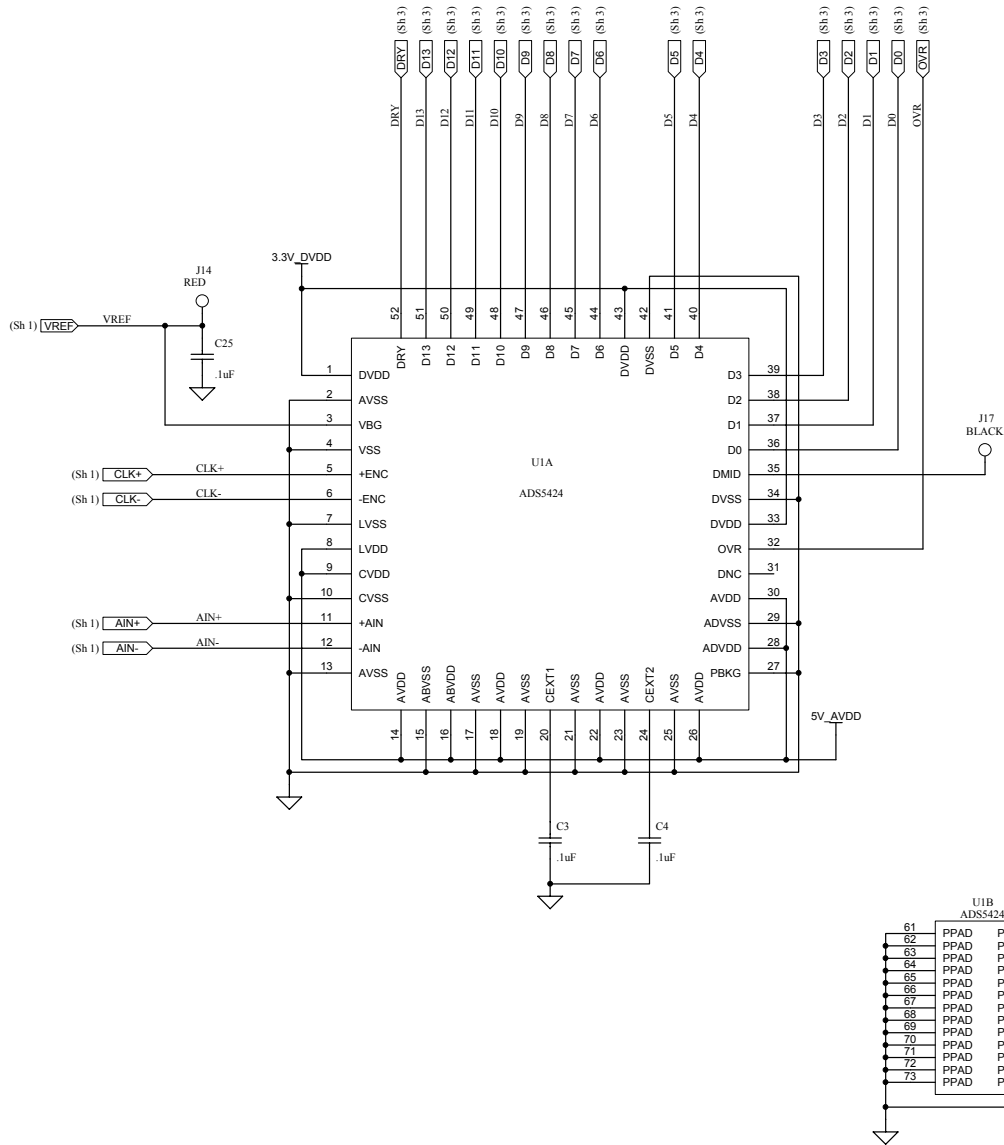
NOTE 1. DO NOT INSTALL



12500 TI Boulevard, Dallas, Texas 75243

Title: ADS5424

Engineer: J. SETON	DOCUMENT CONTROL #	REV: A
Drawn By: Y. DEWONCK	DATE: 8-Dec-2004	SIZE:
FILE:	SHEET: 1	OF: 4



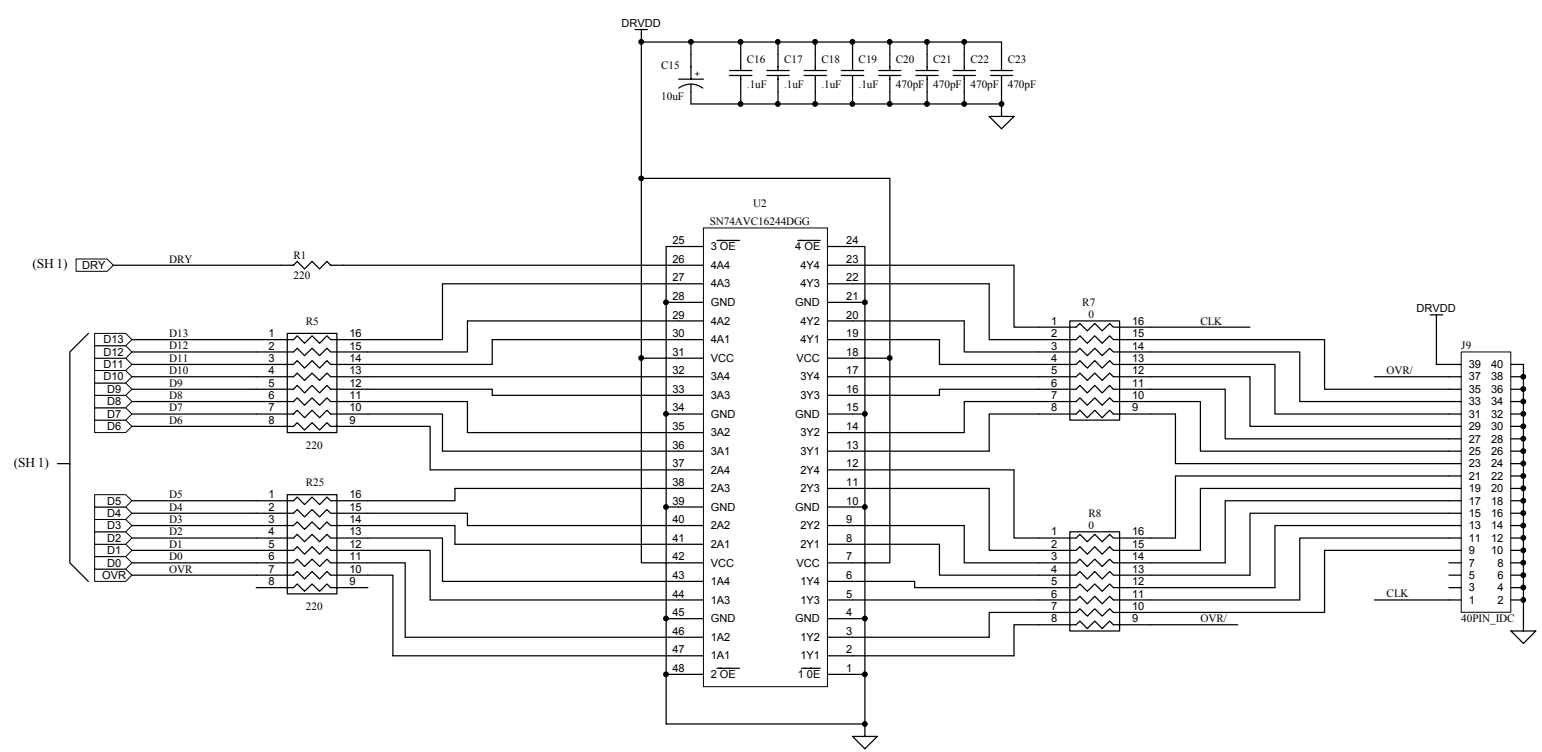
NOTE 1. DO NOT INSTALL

**TEXAS INSTRUMENTS**

12500 TI Boulevard, Dallas, Texas 75243

Title: **ADS5424**

Engineer: J. SETON	DOCUMENT CONTROL #	REV: A
Drawn By: Y. DEWONCK	DATE: 8-Dec-2004	SIZE: SHEET: 2 OF: 4
FILE:		



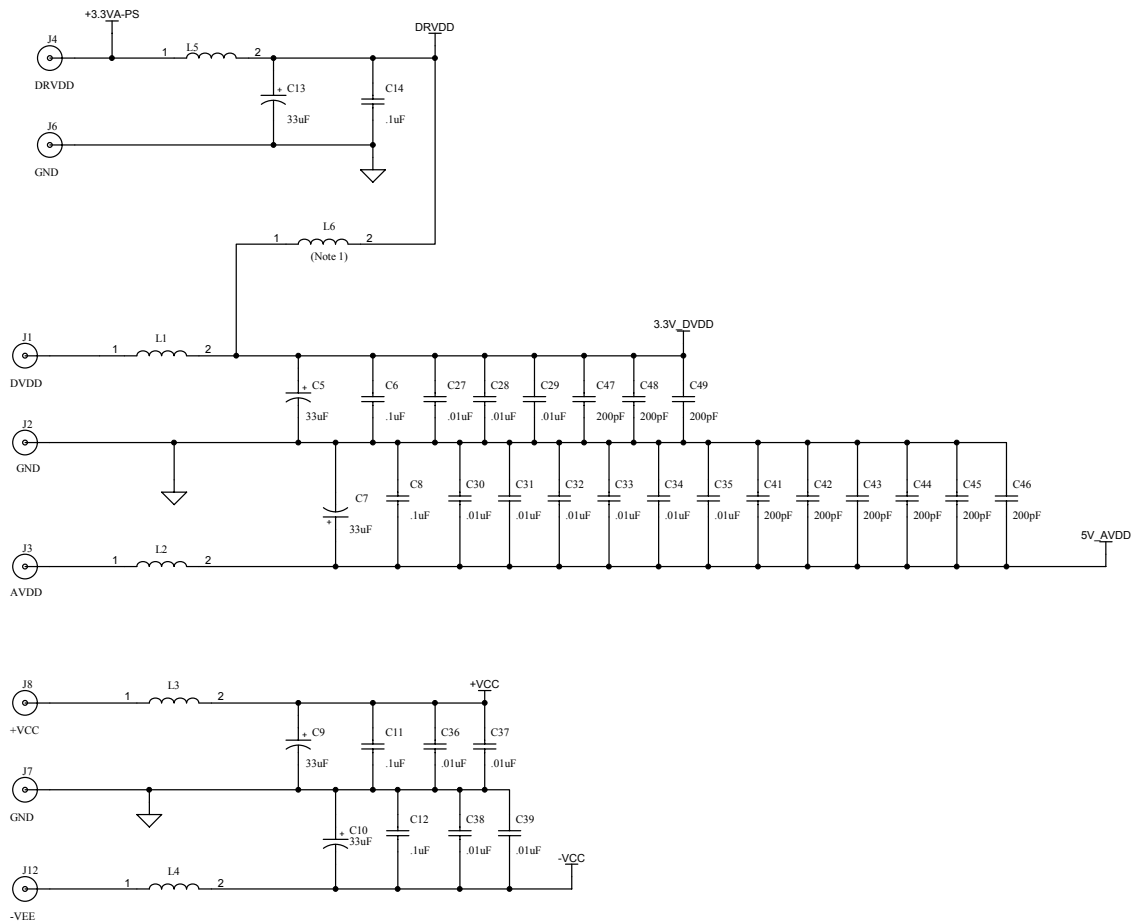
NOTE 1. DO NOT INSTALL

**TEXAS INSTRUMENTS**

12500 TI Boulevard, Dallas, Texas 75243

Title: **ADS5424**

Engineer: J. SETON	DOCUMENT CONTROL #	REV: A
Drawn By: Y. DEWONCK	DATE: 8-Dec-2004	SIZE: SHEET: 3 OF: 4
FILE:		



NOTE 1. DO NOT INSTALL



12500 TI Boulevard, Dallas, Texas 75243

Title: ADS5424

Engineer: J. SETON	SIZE:	DATE: 8-Dec-2004	REV: A
Drawn By: Y. DEWONCK	FILE:		SHEET: 4 OF 4

### EVALUATION BOARD/KIT IMPORTANT NOTICE

Texas Instruments (TI) provides the enclosed product(s) under the following conditions:

This evaluation board/kit is intended for use for **ENGINEERING DEVELOPMENT, DEMONSTRATION, OR EVALUATION PURPOSES ONLY** and is not considered by TI to be a finished end-product fit for general consumer use. Persons handling the product(s) must have electronics training and observe good engineering practice standards. As such, the goods being provided are not intended to be complete in terms of required design-, marketing-, and/or manufacturing-related protective considerations, including product safety and environmental measures typically found in end products that incorporate such semiconductor components or circuit boards. This evaluation board/kit does not fall within the scope of the European Union directives regarding electromagnetic compatibility, restricted substances (RoHS), recycling (WEEE), FCC, CE or UL, and therefore may not meet the technical requirements of these directives or other related directives.

Should this evaluation board/kit not meet the specifications indicated in the User's Guide, the board/kit may be returned within 30 days from the date of delivery for a full refund. **THE FOREGOING WARRANTY IS THE EXCLUSIVE WARRANTY MADE BY SELLER TO BUYER AND IS IN LIEU OF ALL OTHER WARRANTIES, EXPRESSED, IMPLIED, OR STATUTORY, INCLUDING ANY WARRANTY OF MERCHANTABILITY OR FITNESS FOR ANY PARTICULAR PURPOSE.**

The user assumes all responsibility and liability for proper and safe handling of the goods. Further, the user indemnifies TI from all claims arising from the handling or use of the goods. Due to the open construction of the product, it is the user's responsibility to take any and all appropriate precautions with regard to electrostatic discharge.

**EXCEPT TO THE EXTENT OF THE INDEMNITY SET FORTH ABOVE, NEITHER PARTY SHALL BE LIABLE TO THE OTHER FOR ANY INDIRECT, SPECIAL, INCIDENTAL, OR CONSEQUENTIAL DAMAGES.**

TI currently deals with a variety of customers for products, and therefore our arrangement with the user **is not exclusive.**

TI assumes **no liability for applications assistance, customer product design, software performance, or infringement of patents or services described herein.**

Please read the User's Guide and, specifically, the Warnings and Restrictions notice in the User's Guide prior to handling the product. This notice contains important safety information about temperatures and voltages. For additional information on TI's environmental and/or safety programs, please contact the TI application engineer or visit [www.ti.com/esh](http://www.ti.com/esh).

No license is granted under any patent right or other intellectual property right of TI covering or relating to any machine, process, or combination in which such TI products or services might be or are used.

### FCC Warning

This evaluation board/kit is intended for use for **ENGINEERING DEVELOPMENT, DEMONSTRATION, OR EVALUATION PURPOSES ONLY** and is not considered by TI to be a finished end-product fit for general consumer use. It generates, uses, and can radiate radio frequency energy and has not been tested for compliance with the limits of computing devices pursuant to part 15 of FCC rules, which are designed to provide reasonable protection against radio frequency interference. Operation of this equipment in other environments may cause interference with radio communications, in which case the user at his own expense will be required to take whatever measures may be required to correct this interference.

Mailing Address: Texas Instruments, Post Office Box 655303, Dallas, Texas 75265  
Copyright © 2006, Texas Instruments Incorporated

### EVM WARNINGS AND RESTRICTIONS

It is important to operate this EVM within the AVDD voltage range of  $-0.3\text{ V}$  to  $3.8\text{ V}$  and the DVDD voltage range of  $-0.3\text{ V}$  to  $3.8\text{ V}$ .

Exceeding the specified input range may cause unexpected operation and/or irreversible damage to the EVM. If there are questions concerning the input range, please contact a TI field representative prior to connecting the input power.

Applying loads outside of the specified output range may result in unintended operation and/or possible permanent damage to the EVM. Please consult the EVM User's Guide prior to connecting any load to the EVM output. If there is uncertainty as to the load specification, please contact a TI field representative.

During normal operation, some circuit components may have case temperatures greater than  $25^{\circ}\text{C}$ . The EVM is designed to operate properly with certain components above  $50^{\circ}\text{C}$  as long as the input and output ranges are maintained. These components include but are not limited to linear regulators, switching transistors, pass transistors, and current sense resistors. These types of devices can be identified using the EVM schematic located in the EVM User's Guide. When placing measurement probes near these devices during operation, please be aware that these devices may be very warm to the touch.

Mailing Address: Texas Instruments, Post Office Box 655303, Dallas, Texas 75265  
Copyright © 2006, Texas Instruments Incorporated

## IMPORTANT NOTICE

Texas Instruments Incorporated and its subsidiaries (TI) reserve the right to make corrections, modifications, enhancements, improvements, and other changes to its products and services at any time and to discontinue any product or service without notice. Customers should obtain the latest relevant information before placing orders and should verify that such information is current and complete. All products are sold subject to TI's terms and conditions of sale supplied at the time of order acknowledgment.

TI warrants performance of its hardware products to the specifications applicable at the time of sale in accordance with TI's standard warranty. Testing and other quality control techniques are used to the extent TI deems necessary to support this warranty. Except where mandated by government requirements, testing of all parameters of each product is not necessarily performed.

TI assumes no liability for applications assistance or customer product design. Customers are responsible for their products and applications using TI components. To minimize the risks associated with customer products and applications, customers should provide adequate design and operating safeguards.

TI does not warrant or represent that any license, either express or implied, is granted under any TI patent right, copyright, mask work right, or other TI intellectual property right relating to any combination, machine, or process in which TI products or services are used. Information published by TI regarding third-party products or services does not constitute a license from TI to use such products or services or a warranty or endorsement thereof. Use of such information may require a license from a third party under the patents or other intellectual property of the third party, or a license from TI under the patents or other intellectual property of TI.

Reproduction of information in TI data books or data sheets is permissible only if reproduction is without alteration and is accompanied by all associated warranties, conditions, limitations, and notices. Reproduction of this information with alteration is an unfair and deceptive business practice. TI is not responsible or liable for such altered documentation.

Resale of TI products or services with statements different from or beyond the parameters stated by TI for that product or service voids all express and any implied warranties for the associated TI product or service and is an unfair and deceptive business practice. TI is not responsible or liable for any such statements.

TI products are not authorized for use in safety-critical applications (such as life support) where a failure of the TI product would reasonably be expected to cause severe personal injury or death, unless officers of the parties have executed an agreement specifically governing such use. Buyers represent that they have all necessary expertise in the safety and regulatory ramifications of their applications, and acknowledge and agree that they are solely responsible for all legal, regulatory and safety-related requirements concerning their products and any use of TI products in such safety-critical applications, notwithstanding any applications-related information or support that may be provided by TI. Further, Buyers must fully indemnify TI and its representatives against any damages arising out of the use of TI products in such safety-critical applications.

TI products are neither designed nor intended for use in military/aerospace applications or environments unless the TI products are specifically designated by TI as military-grade or "enhanced plastic." Only products designated by TI as military-grade meet military specifications. Buyers acknowledge and agree that any such use of TI products which TI has not designated as military-grade is solely at the Buyer's risk, and that they are solely responsible for compliance with all legal and regulatory requirements in connection with such use.

TI products are neither designed nor intended for use in automotive applications or environments unless the specific TI products are designated by TI as compliant with ISO/TS 16949 requirements. Buyers acknowledge and agree that, if they use any non-designated products in automotive applications, TI will not be responsible for any failure to meet such requirements.

Following are URLs where you can obtain information on other Texas Instruments products and application solutions:

<b>Products</b>		<b>Applications</b>	
Amplifiers	<a href="http://amplifier.ti.com">amplifier.ti.com</a>	Audio	<a href="http://www.ti.com/audio">www.ti.com/audio</a>
Data Converters	<a href="http://dataconverter.ti.com">dataconverter.ti.com</a>	Automotive	<a href="http://www.ti.com/automotive">www.ti.com/automotive</a>
DSP	<a href="http://dsp.ti.com">dsp.ti.com</a>	Broadband	<a href="http://www.ti.com/broadband">www.ti.com/broadband</a>
Interface	<a href="http://interface.ti.com">interface.ti.com</a>	Digital Control	<a href="http://www.ti.com/digitalcontrol">www.ti.com/digitalcontrol</a>
Logic	<a href="http://logic.ti.com">logic.ti.com</a>	Military	<a href="http://www.ti.com/military">www.ti.com/military</a>
Power Mgmt	<a href="http://power.ti.com">power.ti.com</a>	Optical Networking	<a href="http://www.ti.com/opticalnetwork">www.ti.com/opticalnetwork</a>
Microcontrollers	<a href="http://microcontroller.ti.com">microcontroller.ti.com</a>	Security	<a href="http://www.ti.com/security">www.ti.com/security</a>
RFID	<a href="http://www.ti-rfid.com">www.ti-rfid.com</a>	Telephony	<a href="http://www.ti.com/telephony">www.ti.com/telephony</a>
Low Power Wireless	<a href="http://www.ti.com/lpw">www.ti.com/lpw</a>	Video & Imaging	<a href="http://www.ti.com/video">www.ti.com/video</a>
		Wireless	<a href="http://www.ti.com/wireless">www.ti.com/wireless</a>

Mailing Address: Texas Instruments, Post Office Box 655303, Dallas, Texas 75265  
Copyright © 2007, Texas Instruments Incorporated



## Free Manuals Download Website

<http://myh66.com>

<http://usermanuals.us>

<http://www.somanuals.com>

<http://www.4manuals.cc>

<http://www.manual-lib.com>

<http://www.404manual.com>

<http://www.luxmanual.com>

<http://aubethermostatmanual.com>

Golf course search by state

<http://golfingnear.com>

Email search by domain

<http://emailbydomain.com>

Auto manuals search

<http://auto.somanuals.com>

TV manuals search

<http://tv.somanuals.com>