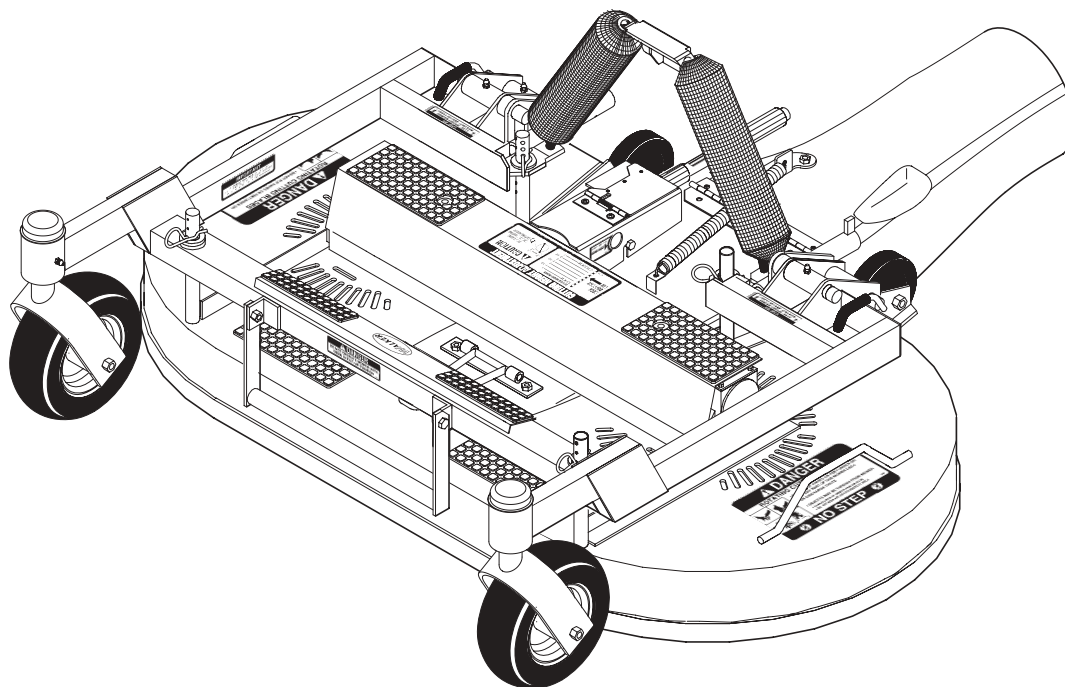


Walker Rider Lawnmowers

ILLUSTRATED PARTS MANUAL

European Deck and Carrier Frame Assemblies (36",42",48")



CE

TM

Effective Date:
07-01-04

P/N 5000-15

KEY TO ABBREVIATIONS USED IN THIS MANUAL

<i>Abbreviation</i>	<i>What it Represents</i>
° (Dimension)	Degrees (Angle)
" (Dimension)	inches
(-)	Negative (Polarity)
(+)	Positive (Polarity)
AT	All-Terrain
CCW	Counter-clockwise
Conn.	Connector
CW	Clockwise
D	Diameter
DGHS	Deck, Grass Handling System (number refers to size in inches)
DML	Deck, Mulching (number refers to size in inches)
DSD	Deck, Side Discharge (number refers to size in inches)
DU	Garlock (Bearing)
ESNA (Fastener)	Nylon Insert Locknut
FSC	Forward Speed Control
GA	Gauge
gal.	gallon
GHS	Grass Handling System
GR (Fastener)	Grade
HP	Horse Power
HT	Heat-Treated
ID	Identification or Inside Diameter
L	Length
LH	Left Hand (orientated with operator on seat)
LP	Low Profile
mm (Dimension)	millimeters
MS (Fastener)	Machine Screw
NS (as part number)	Item is not sold by Walker Manufacturing
OD	Outside Diameter
oz.	ounce
PFH (Fastener)	Phillips Flat Head
P/N	Part Number
PPH (Fastener)	Phillips Pan Head
PTH (Fastener)	Phillips Truss Head
PTO	Power Take-Off
QKS	Quick Slide
qt.	quart
RH	Right Hand (orientated with operator on seat)
SAE (Fastener)	Society of Automotive Engineers
SBH (Fastener)	Socket Button Head (Bolt)
SD	Side Discharge
SFH (Fastener)	Slotted Flat Head
SHC (Fastener)	Socket Head Cap
SHL (Fastener)	Shoulder (Bolt)
SM (Fastener)	Sheet Metal (Screw)
S/N	Serial Number
Spg.	Spring
SQH (Fastener)	Square Head
SS (Fastener)	Stainless Steel
ST (Fastener)	Self-Tapping (Screw)
Term.	Terminal
V	Volts

NOTE: In some instances, combinations of abbreviations may be used (e.g. PPHMS - Phillips Pan Head Machine Screw).

Use only genuine **Walker**[®] replacement parts.

Effective Date 07-01-04

ILLUSTRATED PARTS LIST

<i>Section of Mower Covered</i>	<i>Page</i>	<i>Section of Mower Covered</i>	<i>Page</i>
Deck and Carrier Frame Assemblies		Maintenance	
36 Inch Complete Carrier Frame Assembly	2	Fastener Loctite® Application & Torque Instructions	18
DGHS36E Deck Assembly	4	Lubrication Points	20
42E Inch Complete Carrier Frame Assembly	6		
DGHS42E Deck Assembly	8	Warranty	
48E Inch Complete Carrier Frame Assembly	10	Limited Warranty.....	21
DGHS48E Deck Assembly	12		
48EOHD Inch Complete Carrier Frame Assembly	14		
DGHS48EOHD Deck Assembly	16		

36 INCH COMPLETE CARRIER FRAME ASSEMBLY (P/N 5710-4)

ITEM NO.	PART NO.	DESCRIPTION	NO. REQ'D	ITEM NO.	PART NO.	DESCRIPTION	NO. REQ'D
Spring and Pivot Mount Components				Fasteners			
1	5975-3	Cable Tie (50# x 7")	4	F012		3/8-16 Keps Nut	2
2	5744-1	Spring Clip Bracket	1	F014		3/8-16 ESNA Nut	2
3	5743-1	Spring Cover	2	F020		5/16-18 ESNA Nut	2
4	8667-10	Pivot Mount, LH/Adj.	1	F047		3/8-16 x 4-1/2 Hex Bolt	2
5	5830-3	Grease Fitting (45 Degree)	4	F055		5/8 SAE Washer	2
6	8667-20	Pivot Mount, RH/Adj.	1	F068		1/8 x 1 Cotter Pin	2
7	5743-4	Eyebolt (3/8-16 x 2-3/4)	2	F084		5/16 Wave Spring Washer	2
8	5743-6	Extension Spring (1-1/2 x 7-3/4)	2	F098		5/8-18 Slotted Hex Nut	2
Carrier Frame Components				F117		Retainer Ring	2
9	8674-11	Lever, Deck Lock, LH	1	F123		1" External Snap Ring	4
10	7406-1	Handle Grip (Red)	2	F166		Retainer Ring	4
11	8669	Lift Handle	1	F226		5/16-18 x 7/8 Hex Bolt	2
12	5748-10	Rubber Mat (1-1/2 x 6)	2	F317		3/16 x 1 Split Spring Pin	4
13	5740-2	Deck Pin Bushing (5/8)	4	F335		3/8-16 x 7/8 Set Screw, SS	2
14	5708-6	36" Carrier Frame (Includes Item # 12)	1	F336		3/8-16 Jam Nut	2
	5708-1	36" Carrier Frame w/Forks (Includes Items # 12, 21-23, 25, F055, F068 & F098)	*	* Service Part Only			
15	8674-10	Lever, Deck Lock, RH	1	** May be ordered as a factory-installed option or as a kit for dealer installation. Contact your Walker dealer.			
16	5830	Grease Fitting	2	NOTE: When installing Item # 8 on decks prior to S/N DX-62875, the swivel hook end should be attached to the deck carrier frame.			
Caster Wheel Components							
17	5714-7	Bearing Cap	4				
18	5714-5	Bearing, Caster Wheel	2				
19	5715-4	Caster Wheel, Pneu. (8 x 3.00-4) (Includes Items # 5,17 & 18)	2				
	5715-10	Tire, Pneumatic (8 x 3.00-4)	*				
	5715-9	Tire Tube, Pneumatic (2.80/2.50-4)	*				
	5715-3	Caster Wheel, Foamed Rubber (8 x 3.00-4)	**				
	5715-11	Tire, Foamed Rubber (8 x 3.00-4)	**				
20	5714-3	Axle Spacer Tube	2				
21	5770-1	Caster Wheel Fork	2				
22	8768-1	Seal	2				
23	8037	Bearing, Cone	4				
24	8769-1	Bearing Cup	4				
25	8769-9	Dust Cap	2				

Use only genuine **Walker**[®] replacement parts.

Effective Date 07-01-04

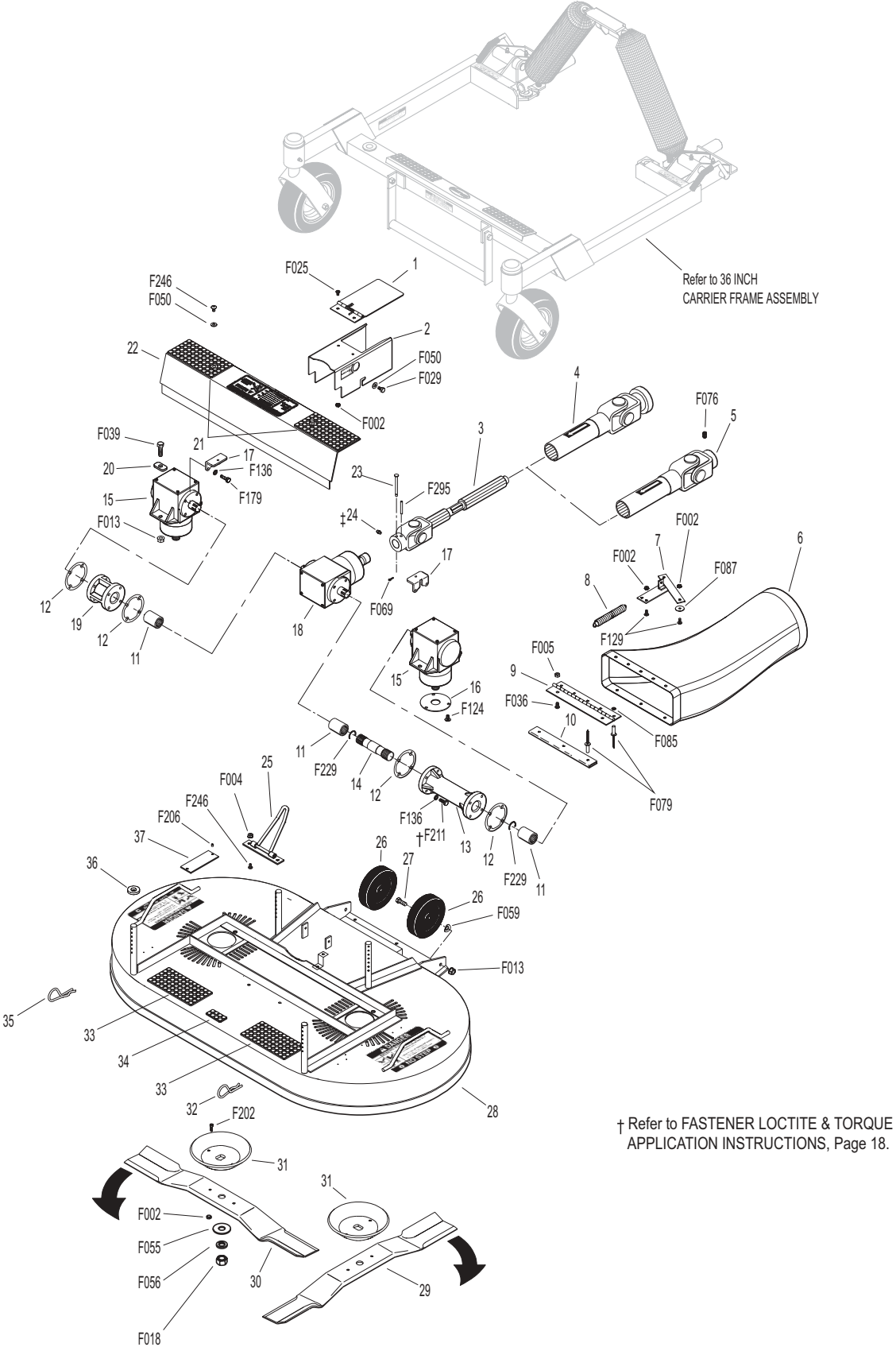
DGHS36E DECK ASSEMBLY (P/N 5710-19)

ITEM NO.	PART NO.	DESCRIPTION	NO. REQ'D	ITEM NO.	PART NO.	DESCRIPTION	NO. REQ'D
Gearbox and Drive Components				35	7775-2	Hitch Pin, RH (Gold) #6	2
1	8618-1	Cover, PTO Shaft Guard	1	36	5727-1	Washer Shim (5/8 ID) (1/4" Thick)	4
2	8619	PTO Shaft Guard	1	37	NS	Deck Serial Number Plate	1
	8618	PTO Shaft Guard Assembly (Includes Items # 1, 2, F002 & F025)	*	Fasteners			
3	5285-15	U-Joint Shaft Assy, 90 Degree, Spline (Includes Items # 23, F069 & F295)	1	F002	10-24 Keps Nut		9
4	7275-16	U-Joint Tube Assy, Spline	1	F004	1/4-20 Keps Nut		2
5	5275-15	U-Joint Tube Assy (9.5" OAL), Spline	1	F005	1/4-20 ESNA Nut		2
6	5794	Discharge Chute (6-1/2 Diameter)	1	F013	3/8-16 Whiz Locknut		6
	5794-1	Discharge Chute Assembly with Spring Mount (Includes Items # 6, 7, 9, 10, F079 & F085)	*	F018	5/8-18 Hex Nut		2
7	8678	Spring Mount, Chute	1	F025	10-24 x 3/8 PPHMS		2
8	8677	Extension Spring (1 x 6-1/16)	1	F029	1/4-20 x 1/2 Hex Bolt		2
9	5726	Chute Hinge (2 x 8)	1	F036	1/4-20 x 1/2 SBH Screw		2
10	5755	Chute Lower Lip	1	F039	3/8-16 x 1-1/4 Hex Bolt		4
11	6054	Spline Coupling	3	F050	1/4 SAE Washer		4
12	P007	Gasket, Cap (Peerless #788030)	4	F055	5/8 SAE Washer		2
13	5061	Gearbox Connector Tube (6-11/16)	1	F056	5/8 Split Lock Washer		2
14	6732-2	Connecting Shaft (4-1/8)	1	F059	3/8 Wave Spring Washer		2
15	5052-1	Blade Drive Gearbox (LH Rotation)	2	F069	3/32 x 1/2 Cotter Pin		1
16	5706-4	Seal Protector Plate	3	F076	3/8-16 x 5/8 SQH Set Screw		*
17	5704-1	Gearbox Cover Support	2	F079	A/A66D Aluminum Pop Rivet		*
18	5051-16	Tee Gearbox, Shear (Less Flanges)	1	F085	3/16 Rivet Backup Washer		*
19	5060	Gearbox Connector Tube (2-5/16)	1	F087	#10 x 7/8 Fender Washer		2
20	5052-3	1.375 x .750 x .187 Washer	4	F124	10-32 x 3/8 Taptite Machine Screw		9
21	5747-11	Rubber Mat (3 x 6)	2	F129	10-24 x 1/2 PTHMS		3
22	5746-4	36" Gearbox Cover (Includes Item # 21)	1	F136	AN960C416L Washer		16
23	8067-13	Shear Pin w/Cotter (Set of 5) (Includes Item # F069)	*	F179	1/4-20 x 1 Hex Bolt		4
24	5830	Grease Fitting	1	F202	10-24 x 5/8 SHC Screw, GR5 SS		4
Deck Housing Components				F206	#2 x 3/16 Drive Pin		2
25	8670	Tilt-Up Hook	1	F211	1/4-20 x 7/8 Hex Bolt		20
26	5162-11	Roller Wheel (5" Poly) (Includes Item # F059)	2	F229	C-Clip (13/16)		2
27	8490	Roller Wheel Axle Bolt	2	F246	1/4-20 x 1/2 PTHMS		4
28	5710-20	36 GHSE Deck Housing (Includes Items # 33 & 34)	1	F295	3/16 x 1-1/2 Split Spring Pin		1
29	5705-0	Blade, 20" (RH Rotation)	1	* Service Part Only			
30	5705-2	Blade, 20" (LH Rotation)	1	NOTE: Order Item # 4 to use the splined deck PTO shaft with Model MT, MD and MC-Twin (S/N 98-33662 and on) if tractor is not equipped (tractors S/N prior to S/N 99- 37748).			
	5705-6	Blade Set (36" GHS Deck) (Includes Items # 29-31, F002 & F202)	*	NOTE: Order Item # 5 to use the splined deck PTO shaft with Model MS and MC (prior to S/N 98-33662) if tractor is not equipped (tractors S/N prior to S/N 99-37748).			
31	5706	Blade Hub & Trash Guard	2				
32	7775-1	Hitch Pin, LH (Silver) #6	2				
33	5747-10	Rubber Mat (3 x 6)	2				
34	8788-1	Rubber Mat (1 x 2)	1				

Use only genuine **Walker**[®] replacement parts.

Effective Date 07-01-04

DGHS36E DECK ASSEMBLY (P/N 5710-19)



Effective Date 07-01-04

Use only genuine Walker® replacement parts.

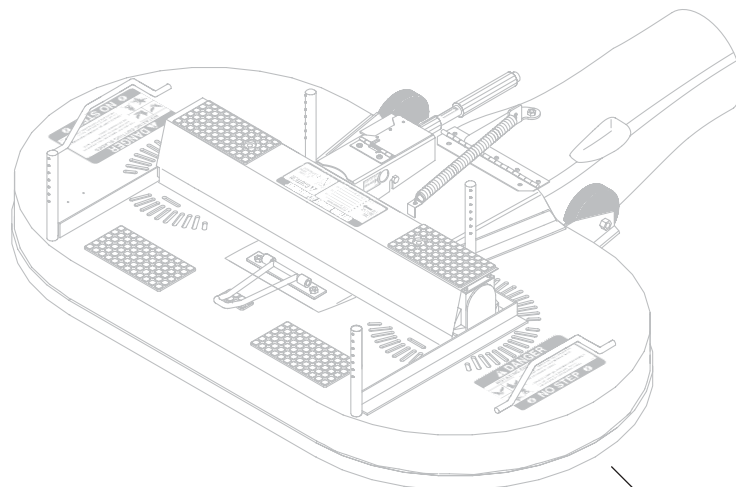
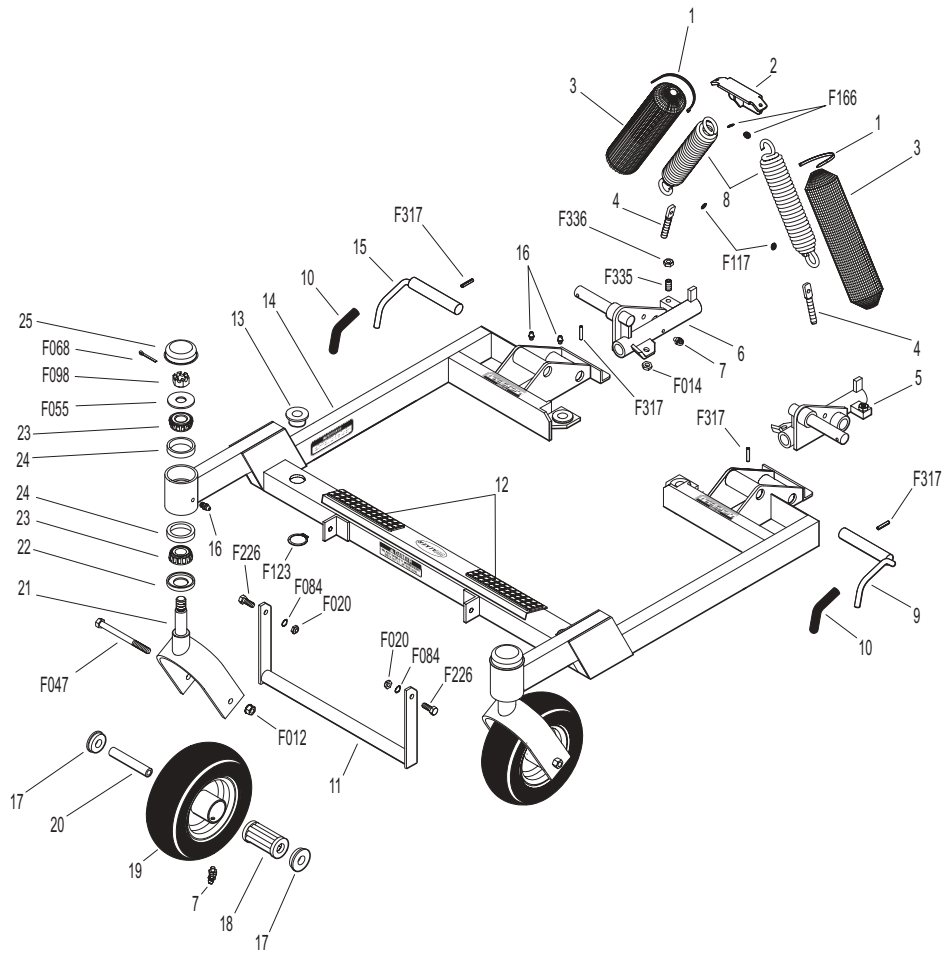
42E INCH COMPLETE CARRIER FRAME ASSEMBLY (P/N 8470-1)

ITEM NO.	PART NO.	DESCRIPTION	NO. REQ'D	ITEM NO.	PART NO.	DESCRIPTION	NO. REQ'D
Spring and Pivot Mount Components				Fasteners			
1	5975-3	Cable Tie (50# x 7")	4	F012		3/8-16 Keps Nut	2
2	5744-1	Spring Clip Bracket	1	F014		3/8-16 ESNA Nut	2
3	5743-1	Spring Cover	2	F020		5/16-18 ESNA Nut	2
4	5743-3	Eyebolt (3/8-16 x 2)	2	F047		3/8-16 x 4-1/2 Hex Bolt	2
5	8466-10	Pivot Mount, LH/Adj.	1	F055		5/8 SAE Washer	2
6	8466-20	Pivot Mount, RH/Adj.	1	F068		1/8 x 1 Cotter Pin	2
7	5830-3	Grease Fitting (45 Degree)	4	F084		5/16 Wave Spring Washer	2
8	5743-6	Extension Spring (1-1/2 x 7-3/4)	2	F098		5/8-18 Slotted Hex Nut	2
Carrier Frame Components				F117		Retainer Ring	2
9	8674-11	Lever, Deck Lock, LH	1	F123		1" External Snap Ring	4
10	7406-1	Handle Grip (Red)	2	F166		Retainer Ring	4
11	8669	Lift Handle	1	F226		5/16-18 x 7/8 Hex Bolt	2
12	5748-10	Rubber Mat (1-1/2 x 6)	2	F317		3/16 x 1 Split Spring Pin	4
13	5740-2	Deck Pin Bushing (5/8)	4	F335		3/8-16 x 7/8 Set Screw, SS	2
14	8660-13	42" Carrier Frame (Includes Item # 12)	1	F336		3/8-16 Jam Nut	2
	8660-12	42" Carrier Frame w/Forks (Includes Items # 12, 21-23, 25, F055, F068 & F098)	*	* Service Part Only			
15	8674-10	Lever, Deck Lock, RH	1	** May be ordered as a factory-installed option or as a kit for dealer installation. Contact your Walker dealer.			
16	5830	Grease Fitting	6	NOTE: When installing Item # 8 on decks prior to S/N DX-62875, the swivel hook end should be attached to the deck carrier frame.			
Caster Wheel Components							
17	5714-7	Bearing Cap	4				
18	5714-5	Bearing, Caster Wheel	2				
19	5715-4	Caster Wheel, Pneu. (8 x 3.00-4) (Includes Items # 7, 17 & 18)	2				
	5715-10	Tire, Pneumatic (8 x 3.00-4)	*				
	5715-9	Tire Tube, Pneumatic (2.80/2.50-4)	*				
	5715-3	Caster Wheel, Foamed Rubber (8 x 3.00-4)	**				
	5715-11	Tire, Foamed Rubber (8 x 3.00-4)	**				
20	5714-3	Axle Spacer Tube	2				
21	5770-1	Caster Wheel Fork	2				
22	8768-1	Seal	2				
23	8037	Bearing, Cone	4				
24	8769-1	Bearing Cup	4				
25	8769-9	Dust Cap	2				

Use only genuine **Walker**[®] replacement parts.

Effective Date 07-01-04

42E INCH COMPLETE CARRIER FRAME ASSEMBLY (P/N 8470-1)



Refer to DGHS42E
DECK ASSEMBLY

Effective Date 07-01-04

Use only genuine **Walker®** replacement parts.

DGHS42E DECK ASSEMBLY (P/N 8480)

ITEM NO.	PART NO.	DESCRIPTION	NO. REQ'D	ITEM NO.	PART NO.	DESCRIPTION	NO. REQ'D
Gearbox and Drive Components				34	7775-1	Hitch Pin, LH (Silver) #6	2
1	8618-2	Cover, PTO Shaft Guard (Includes Items # 2, 3, & F081)	1	35	8788-1	Rubber Mat (1 x 2)	1
2	5161-10	Rubber Flap	1	36	8481	42 GHS Deck Housing (Includes Items # 33 & 34)	1
3	8620-30	Backing Plate, Flap	1	37	7775-2	Hitch Pin, RH (Gold) #6	2
4	8617-1	42E PTO Shaft Guard	1	38	5727-1	Washer Shim (5/8 ID) (1/4" Thick)	4
	8616-1	PTO Shaft Guard Assembly (Includes Items # 1, 2, 3, 4, F002 & F025)	*	39	NS	Deck Serial Number Plate	1
5	5285-15	U-Joint Shaft Assy, 90 Degree, Spline (Includes Items # 25, F069 & F295)	1	Fasteners			
6	7275-16	U-Joint Tube Assy, Spline	1	F002	10-24 Keps Nut		9
7	5275-15	U-Joint Tube Assy (9.5" OAL), Spline	1	F004	1/4-20 Keps Nut		2
8	8494	Discharge Chute Assembly with Spring Mount (Includes Items # 9, 11, F002, F005, F036, F079, F085, F129)	*	F005	1/4-20 ESNA Nut		2
9	8489	Spring Mount, Chute	1	F013	3/8-16 Whiz Locknut		6
10	8677	Extension Spring (1 x 6-1/16)	1	F018	5/8-18 Hex Nut		2
11	5726	Chute Hinge (2 x 8)	1	F025	10-24 x 3/8 PPHMS		2
12	6054	Spline Coupling	4	F029	1/4-20 x 1/2 Hex Bolt		2
13	P007	Gasket, Cap (Peerless #788030)	4	F036	1/4-20 x 1/2 SBH Screw		2
14	5066	Gearbox Connector Tube (9-5/16)	1	F039	3/8-16 x 1-1/4 Hex Bolt		4
15	6732-6	Connecting Shaft (7")	1	F050	1/4 SAE Washer		4
16	5052-10	Blade Drive Gearbox (LH Rotation)	2	F055	5/8 SAE Washer		2
17	5706-4	Seal Protector Plate	2	F056	5/8 Split Lock Washer		2
18	5704-1	Gearbox Cover Support	2	F059	3/8 Wave Spring Washer		2
19	5051-16	Tee Gearbox, Shear (Less Flanges)	1	F069	3/32 x 1/2 Cotter Pin		1
20	6732-8	Connecting Shaft (1-5/16)	1	F076	3/8-16 x 5/8 SQH Set Screw		*
21	5068	Gearbox Connector Tube (3-11/16)	1	F079	A/A66D Aluminum Pop Rivet		*
22	5052-3	1.375 x .750 x .187 Washer	4	F081	A/A45D Aluminum Pop Rivet		3
23	5747-11	Rubber Mat (3 x 6)	4	F085	3/16 Rivet Backup Washer		*
24	8629-1	Gearbox Cover (42") (Includes Item # 23)	1	F087	#10 x 7/8 Fender Washer		2
25	5830	Grease Fitting	1	F124	10-32 x 3/8 Taptite Machine Screw		6
26	8067-10	Shear Pin w/Cotter (Set of 5) (Includes Item # F069)	*	F129	10-24 x 1/2 PTHMS		3
Deck Housing Components				F136	AN960C416L Washer		20
27	8670	Tilt-Up Hook	1	F179	1/4-20 x 1 Hex Bolt		4
28	5162-11	Roller Wheel (5" Poly) (Includes Item # F059)	2	F202	10-24 x 5/8 SHC Screw, GR5 SS		4
29	8490	Roller Wheel Axle Bolt	2	F206	#2 x 3/16 Drive Pin		2
30	5705-3	Blade, 22" (RH Rotation)	1	F211	1/4-20 x 7/8 Hex Bolt		16
31	5706	Blade Hub & Trash Guard	2	F229	C-Clip (13/16)		4
32	5705-4	Blade, 22" (LH Rotation)	1	F246	1/4-20 x 1/2 PTHMS		4
	5705-8	42 GHS Blade Set with Hubs (Includes Items # 30-32, F002 & F202)	*	F295	3/16 x 1-1/2 Split Spring Pin		1
33	5747-10	Rubber Mat (3 x 6)	2	* Service Part Only			

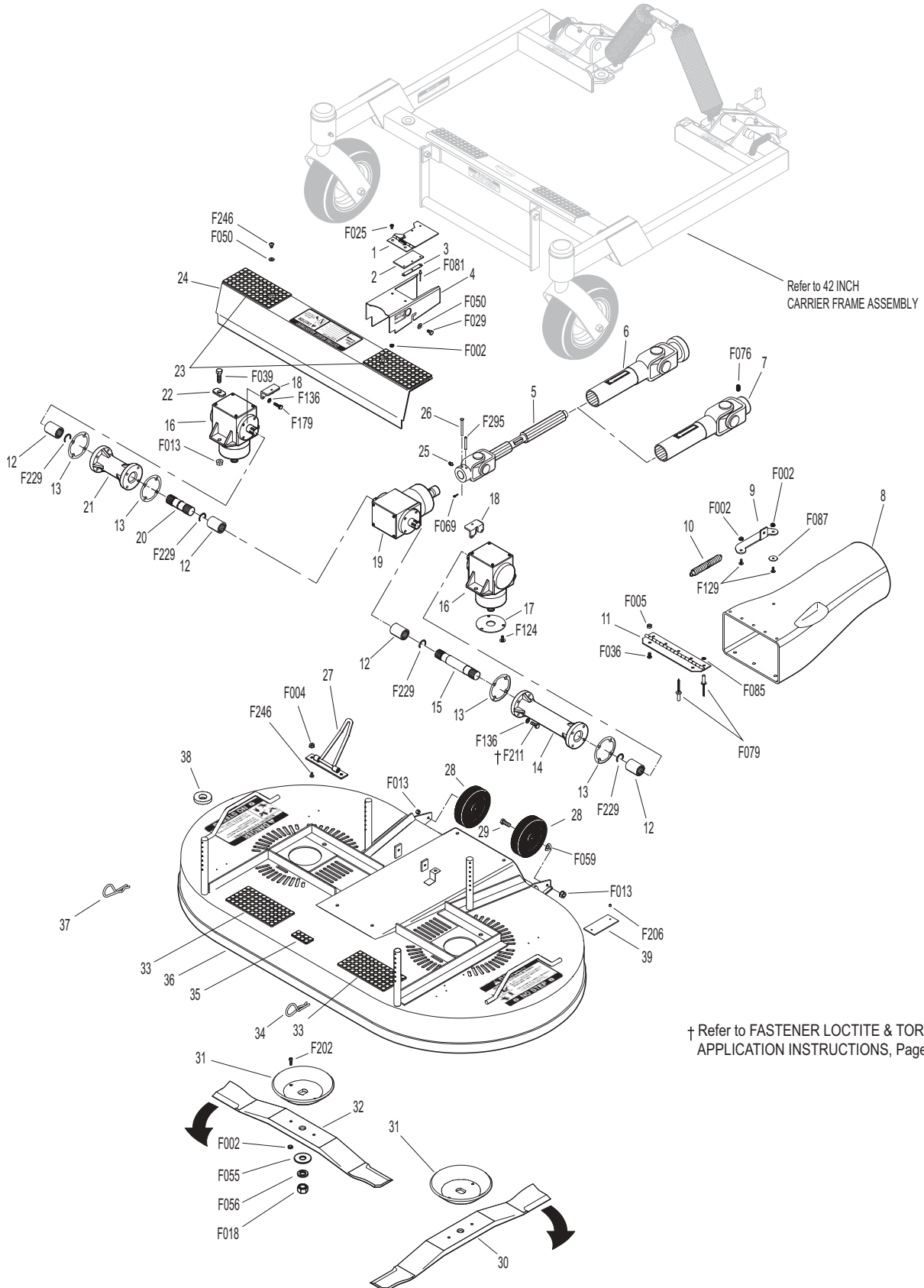
NOTE: Order Item # 6 to use the splined deck PTO shaft with Model MT, MD and MC-Twin (S/N 98-33662 and on) if tractor is not equipped (tractors S/N prior to S/N 99-37748).

NOTE: Order Item # 7 to use the splined deck PTO shaft with Model MS and MC (prior to S/N 98-33662) if tractor is not equipped (tractors S/N prior to S/N 99-37748).

Use only genuine **Walker**[®] replacement parts.

Effective Date 07-01-04

DGHS42E DECK ASSEMBLY (P/N 8480)



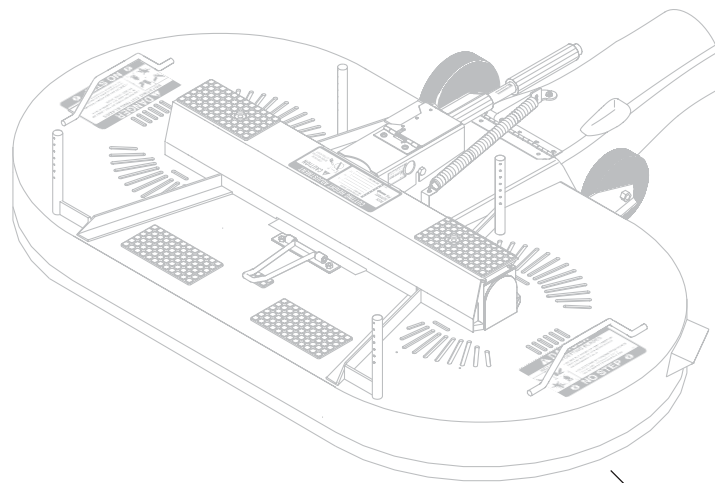
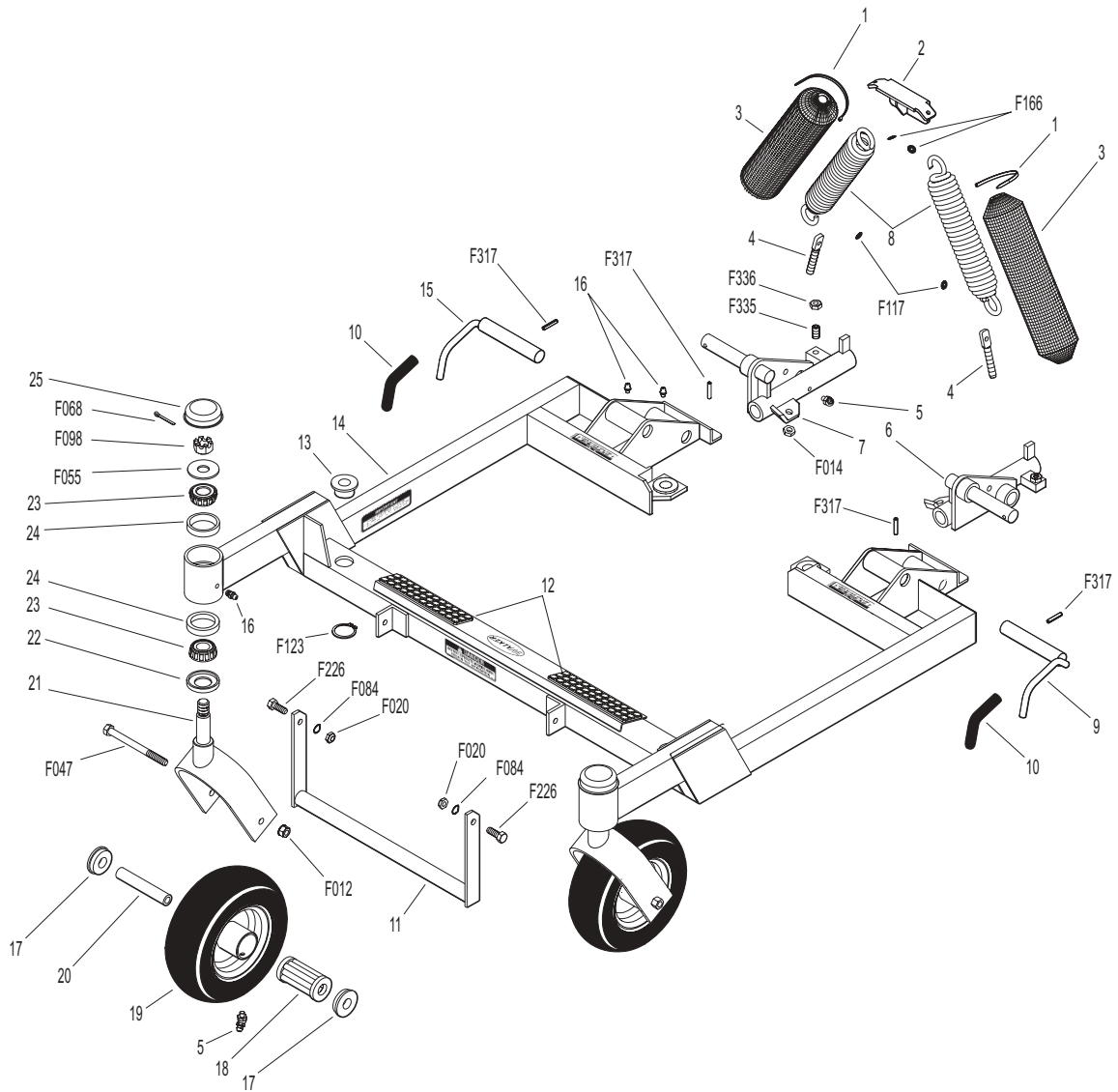
48E INCH COMPLETE CARRIER FRAME ASSEMBLY (P/N 7700-2)

ITEM NO.	PART NO.	DESCRIPTION	NO. REQ'D	ITEM NO.	PART NO.	DESCRIPTION	NO. REQ'D
Spring and Pivot Mount Components				Fasteners			
1	5975-3	Cable Tie (50# x 7")	4	F012		3/8-16 Keps Nut	2
2	5744-1	Spring Clip Bracket	1	F014		3/8-16 ESNA Nut	2
3	5743-1	Spring Cover	2	F020		5/16-18 ESNA Nut	2
4	5743-3	Eyebolt, (3/8-16 x 2)	2	F047		3/8-16 x 4-1/2 Hex Bolt	2
5	5830-3	Grease Fitting (45 Degree)	4	F055		5/8 SAE Washer	2
6	8466-10	Pivot Mount, LH/Adj/	1	F068		1/8 x 1 Cotter Pin	2
7	8466-20	Pivot Mount, RH/Adj.	1	F084		5/16 Wave Spring Washer	2
8	5743-6	Extension Spring (1-1/2 x 7-3/4)	2	F098		5/8-18 Slotted Hex Nut	2
Carrier Frame Components				F117		Retainer Ring	2
9	8674-11	Lever, Deck Lock, LH	1	F123		1" External Snap Ring	4
10	7406-1	Handle Grip (Red)	2	F166		Retainer Ring	4
11	8669	Lift Handle	1	F226		5/16-18 x 7/8 Hex Bolt	2
12	5748-10	Rubber Mat (1-1/2 x 6)	2	F317		3/16 x 1 Split Spring Pin	4
13	5740-2	Deck Pin Bushing (5/8)	4	F335		3/8-16 x 7/8 Set Screw, SS	2
14	8661-2	48" Carrier Frame (Includes Item # 12)	1	F336		3/8-16 Jam Nut	2
	8661-1	48" Carrier Frame w/Forks (Includes Items # 12, 21-23, 25, F055, F068 & F098)	*	* Service Part Only			
15	8674-10	Lever, Deck Lock, RH	1	** May be ordered as a factory-installed option or as a kit for dealer installation. Contact your Walker dealer.			
16	5830	Grease Fitting	6	NOTE: When installing Item # 8 on decks prior to S/N DX-62875, the swivel hook end should be attached to the deck carrier frame.			
Caster Wheel Components							
17	5714-7	Bearing Cap	4				
18	5714-5	Bearing, Caster Wheel	2				
19	5715-4	Caster Wheel, Pneu. (8 x 3.00-4) (Includes Items # 5, 17 & 18)	2				
	5715-10	Tire, Pneumatic (8 x 3.00-4)	*				
	5715-9	Tire Tube, Pneumatic (2.80/2.50-4)	*				
	5715-3	Caster Wheel, Foamed Rubber (8 x 3.00-4)	**				
	5715-11	Tire, Foamed Rubber (8 x 3.00-4)	**				
20	5714-3	Axle Spacer Tube	2				
21	5770-1	Caster Wheel Fork	2				
22	8768-1	Seal	2				
23	8037	Bearing, Cone	4				
24	8769-1	Bearing Cup	4				
25	8769-9	Dust Cap	2				

Use only genuine **Walker**[®] replacement parts.

Effective Date 07-01-04

48E INCH COMPLETE CARRIER FRAME ASSEMBLY (P/N 7700-2)



Refer to DGHS48E
DECK ASSEMBLY

Effective Date 07-01-04

Use only genuine **Walker**® replacement parts.

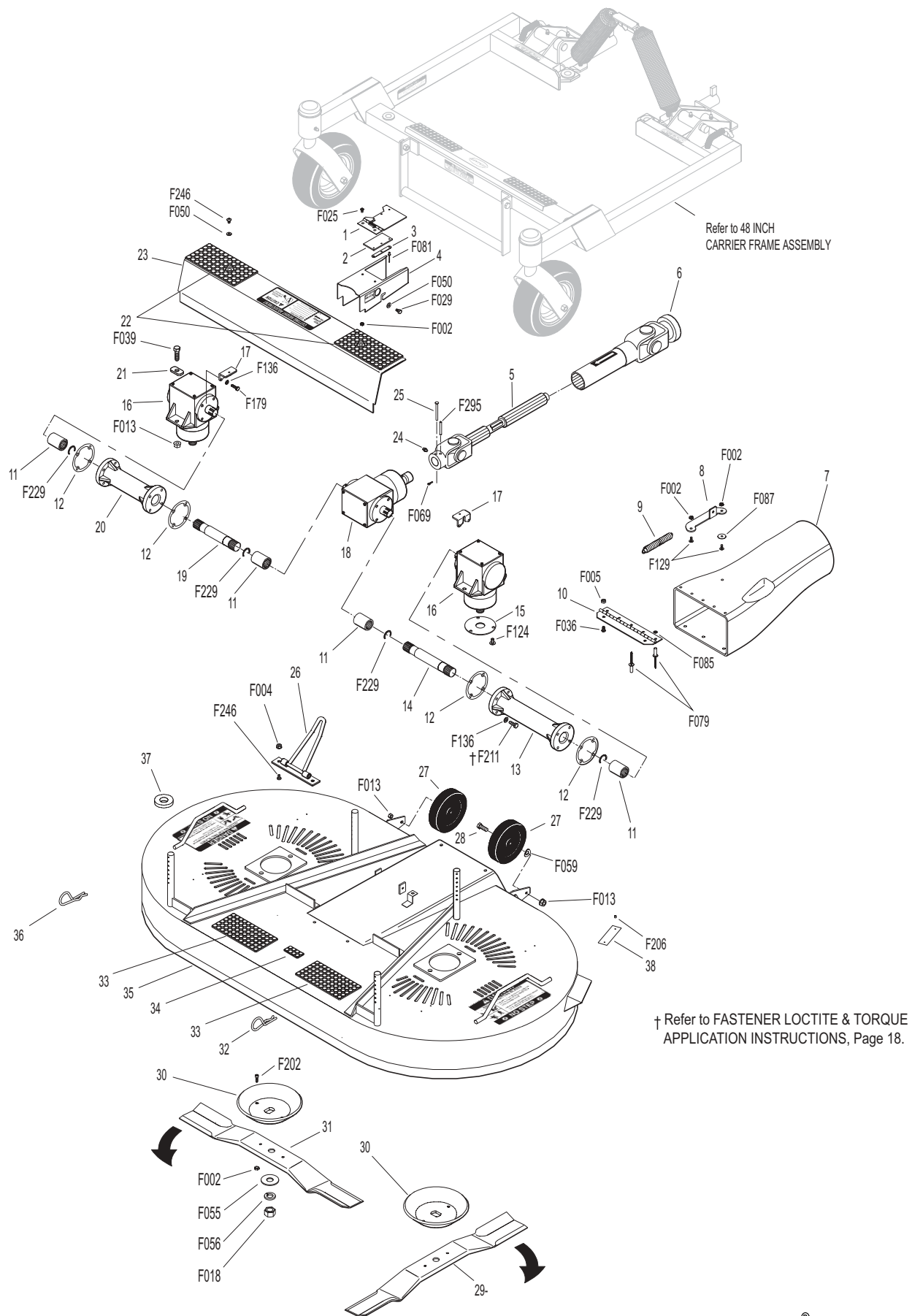
DGHS48E DECK ASSEMBLY (P/N 8557)

ITEM NO.	PART NO.	DESCRIPTION	NO. REQ'D	ITEM NO.	PART NO.	DESCRIPTION	NO. REQ'D
Gearbox and Drive Components				(Includes Items # 29-31, F002 & F202)			
1	8618-2	Cover, PTO Shaft Guard (Includes Items # 2, 3, & F081)	1	32	7775-1	Hitch Pin, LH (Silver) #6	2
2	5161-10	Rubber Flap	1	33	5747-10	Rubber Mat (3 x 6)	2
3	8620-30	Backing Plate, Flap	1	34	8788-1	Rubber Mat (1 x 2)	1
4	8561-1	PTO Shaft Guard	1	35	8558	48 GHS Deck Housing (Includes Items # 33 & 34)	1
	8560-1	PTO Shaft Guard Assembly (Includes Items # 1, 2, 3, 4, F002 & F025)	*	36	7775-2	Hitch Pin, RH (Gold) #6	2
5	7285-15	U-Joint Shaft Assy, 90 Degree, Spline (Includes Items # 24, F069 & F295)	1	37	5727-1	Washer Shim (5/8 ID)	4
6	7275-16	U-Joint Tube Assy, Spline	1	38	NS	Deck Serial Number Plate	1
7	8494	Discharge Chute Assembly with Spring Mount (Includes Items # 8, 10, F002, F079, F085, F087, F129)	*	Fasteners			
8	8489	Spring Mount, Chute	1	F002	10-24 Keps Nut		9
9	8677	Extension Spring (1 x 6-1/16)	1	F004	1/4-20 Keps Nut		2
10	8488	Chute Hinge (2 x 8)	1	F005	1/4-20 ESNA Nut		2
11	6054	Spline Coupling	4	F013	3/8-16 Whiz Locknut		6
12	P007	Gasket, Cap (Peerless #788030)	4	F018	5/8-18 Hex Nut		2
13	5067	Gearbox Connector Tube (11-5/8)	1	F025	10-24 x 3/8 PPHMS		2
14	6732-7	Connecting Shaft (9-1/8)	1	F029	1/4-20 x 1/2 Hex Bolt		2
15	5706-4	Seal Protector Plate	2	F036	1/4-20 x 1/2 SBH Screw		2
16	5052-10	Blade Drive Gearbox (LH Rotation)	2	F039	3/8-16 x 1-1/4 Hex Bolt		4
17	5704-1	Gearbox Cover Support	2	F050	1/4 SAE Washer		4
18	7751-16	Tee Gearbox (1.2:1 Ratio), Shear	1	F055	5/8 SAE Washer		2
19	6732-1	Connecting Shaft (2")	1	F056	5/8 Split Lock Washer		2
20	5062	Gearbox Connector Tube (4-3/8)	1	F059	3/8 Wave Spring Washer		2
21	5052-3	1.375 x .750 x .187 Washer	4	F069	3/32 x 1/2 Cotter Pin		1
22	5747-12	Rubber Mat (3 x 6)	4	F079	A/A66D Aluminum Pop Rivet		*
23	7785-3	48" Gearbox Cover (Includes Item # 22)	1	F081	A/A45D Aluminum Pop Rivet		3
24	5830	Grease Fitting	1	F085	3/16 Rivet Backup Washer		*
25	8067-10	Shear Pin w/Cotter (Set of 5) (Includes Item # F069)	*	F087	#10 x 7/8 Fender Washer		2
Deck Housing Components				F124	10-32 x 3/8 Taptite Machine Screw		6
26	8670	Tilt-Up Hook	1	F129	10-24 x 1/2 PTHMS		3
27	5162-11	Roller Wheel (5" Poly) (Includes Item # F059)	2	F136	AN960C416L Washer		20
28	8490	Roller Wheel Axle Bolt	2	F179	1/4-20 x 1 Hex Bolt		4
29	7705-1	Blade, 25" (RH Rotation)	1	F202	10-24 x 5/8 SHC Screw, GR5 SS		4
30	5706	Blade Hub & Trash Guard	2	F206	#2 x 3/16 Drive Pin		2
31	7705-2	Blade, 25" (LH Rotation)	1	F211	1/4-20 x 7/8 Hex Bolt		16
	7705-3	48 GHS Blade Set with Hubs	*	F229	C-Clip (13/16)		4
				F246	1/4-20 x 1/2 PTHMS		4
				F295	3/16 x 1-1/2 Split Spring Pin		1
				* Service Part Only			
				NOTE: Order Item # 6 to use the splined deck PTO shaft with Model MT, MD and MC-Twin (S/N 98-33662 and on) if tractor is not equipped (tractors S/N prior to S/N 9937748).			

Use only genuine **Walker**® replacement parts.

Effective Date 07-01-04

DGHS48E DECK ASSEMBLY (P/N 8557)



Effective Date 07-01-04

Use only genuine Walker® replacement parts.

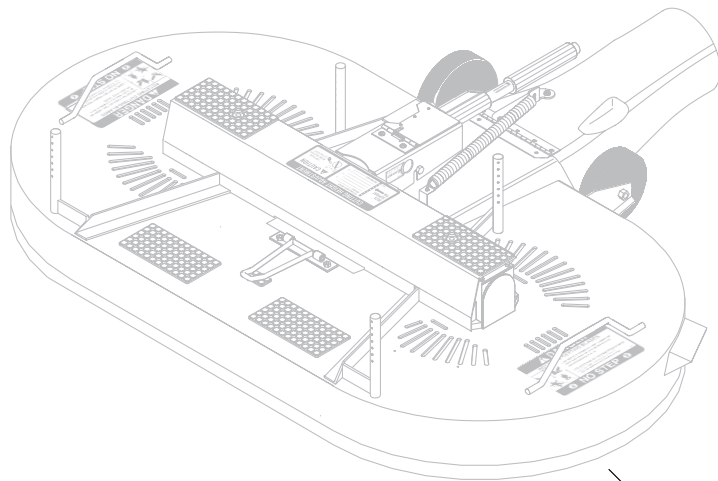
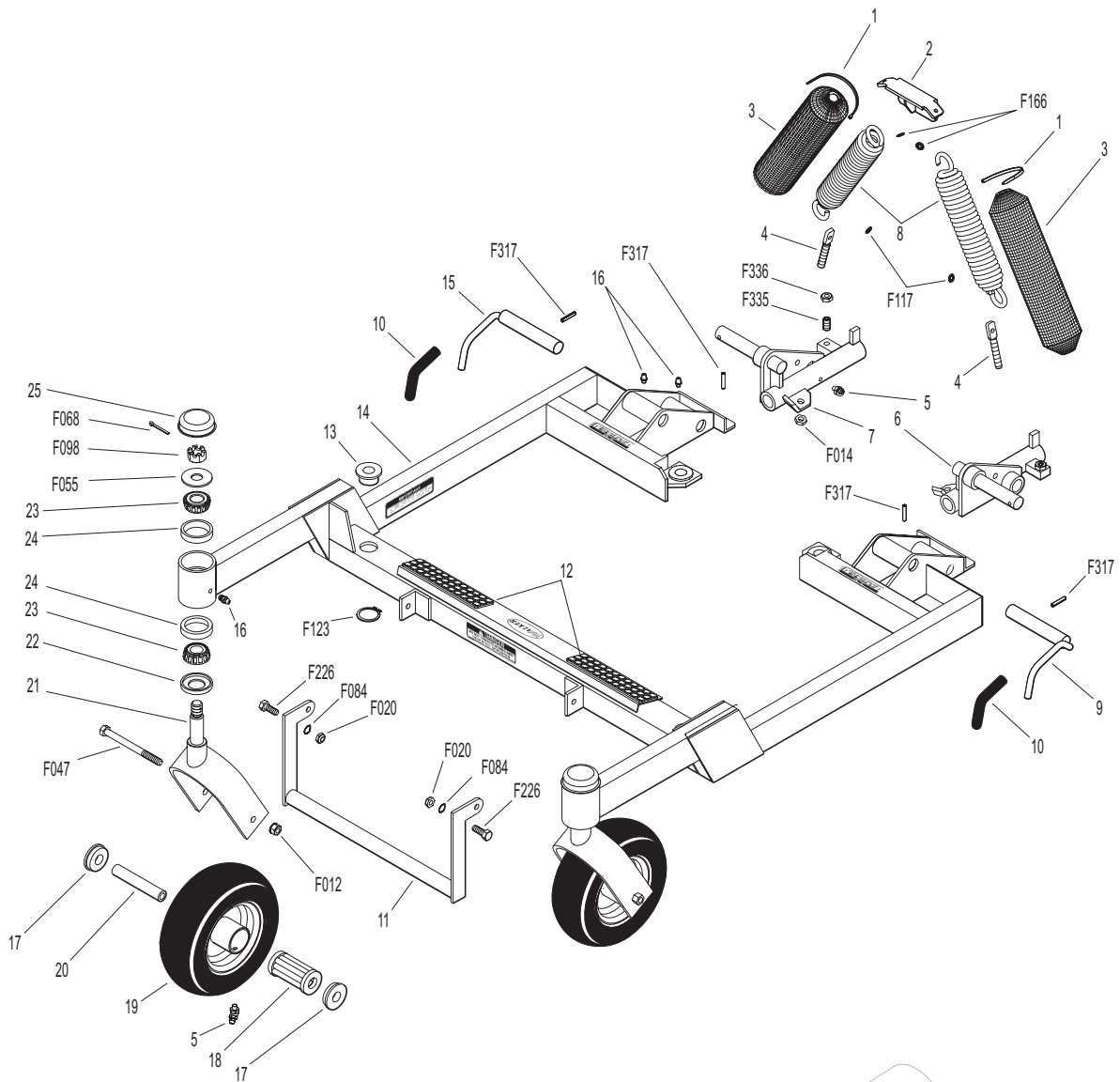
48EOHD INCH COMPLETE CARRIER FRAME ASSEMBLY (P/N 8556-2)

ITEM NO.	PART NO.	DESCRIPTION	NO. REQ'D	ITEM NO.	PART NO.	DESCRIPTION	NO. REQ'D
Spring and Pivot Mount Components				Fasteners			
1	5975-3	Cable Tie (50# x 7")	4	F012		3/8-16 Keps Nut	2
2	5744-1	Spring Clip Bracket	1	F014		3/8-16 ESNA Nut	2
3	5743-1	Spring Cover	2	F020		5/16-18 ESNA Nut	2
4	5743-3	Eyebolt, (3/8-16 x 2)	2	F047		3/8-16 x 4-1/2 Hex Bolt	2
5	5830-3	Grease Fitting (45 Degree)	4	F055		5/8 SAE Washer	2
6	8466-10	Pivot Mount, LH/Adj/	1	F068		1/8 x 1 Cotter Pin	2
7	8466-20	Pivot Mount, RH/Adj.	1	F084		5/16 Wave Spring Washer	2
8	5743-6	Extension Spring (1-1/2 x 7-3/4)	2	F098		5/8-18 Slotted Hex Nut	2
Carrier Frame Components				F117		Retainer Ring	2
9	8674-11	Lever, Deck Lock, LH	1	F123		1" External Snap Ring	4
10	7406-1	Handle Grip (Red)	2	F166		Retainer Ring	4
11	8669-3	48EOHD Lift Handle	1	F226		5/16-18 x 7/8 Hex Bolt	2
12	5748-10	Rubber Mat (1-1/2 x 6)	2	F317		3/16 x 1 Split Spring Pin	4
13	5740-2	Deck Pin Bushing (5/8)	4	F335		3/8-16 x 7/8 Set Screw, SS	2
14	8661-3	48" EOHD Carrier Frame (Includes Item # 12)	1	F336		3/8-16 Jam Nut	2
15	8674-10	Lever, Deck Lock, RH	1	* Service Part Only			
16	5830	Grease Fitting	6	** May be ordered as a factory-installed option or as a kit for dealer installation. Contact your Walker dealer.			
Caster Wheel Components				NOTE: When installing Item # 8 on decks prior to S/N DX-62875, the swivel hook end should be attached to the deck carrier frame.			
17	5714-7	Bearing Cap	4				
18	5714-5	Bearing, Caster Wheel	2				
19	5715-4	Caster Wheel, Pneu. (8 x 3.00-4) (Includes Items # 5, 17 & 18)	2				
	5715-10	Tire, Pneumatic (8 x 3.00-4)	*				
	5715-9	Tire Tube, Pneumatic (2.80/2.50-4)	*				
	5715-3	Caster Wheel, Foamed Rubber (8 x 3.00-4)	**				
	5715-11	Tire, Foamed Rubber (8 x 3.00-4)	**				
20	5714-3	Axle Spacer Tube	2				
21	5770-1	Caster Wheel Fork	2				
22	8768-1	Seal	2				
23	8037	Bearing, Cone	4				
24	8769-1	Bearing Cup	4				
25	8769-9	Dust Cap	2				

Use only genuine **Walker**[®] replacement parts.

Effective Date 07-01-04

48EOHD INCH COMPLETE CARRIER FRAME ASSEMBLY (P/N 8556-2)



Refer to DGHS48EOHD
DECK ASSEMBLY

Effective Date 07-01-04

Use only genuine **Walker**® replacement parts.

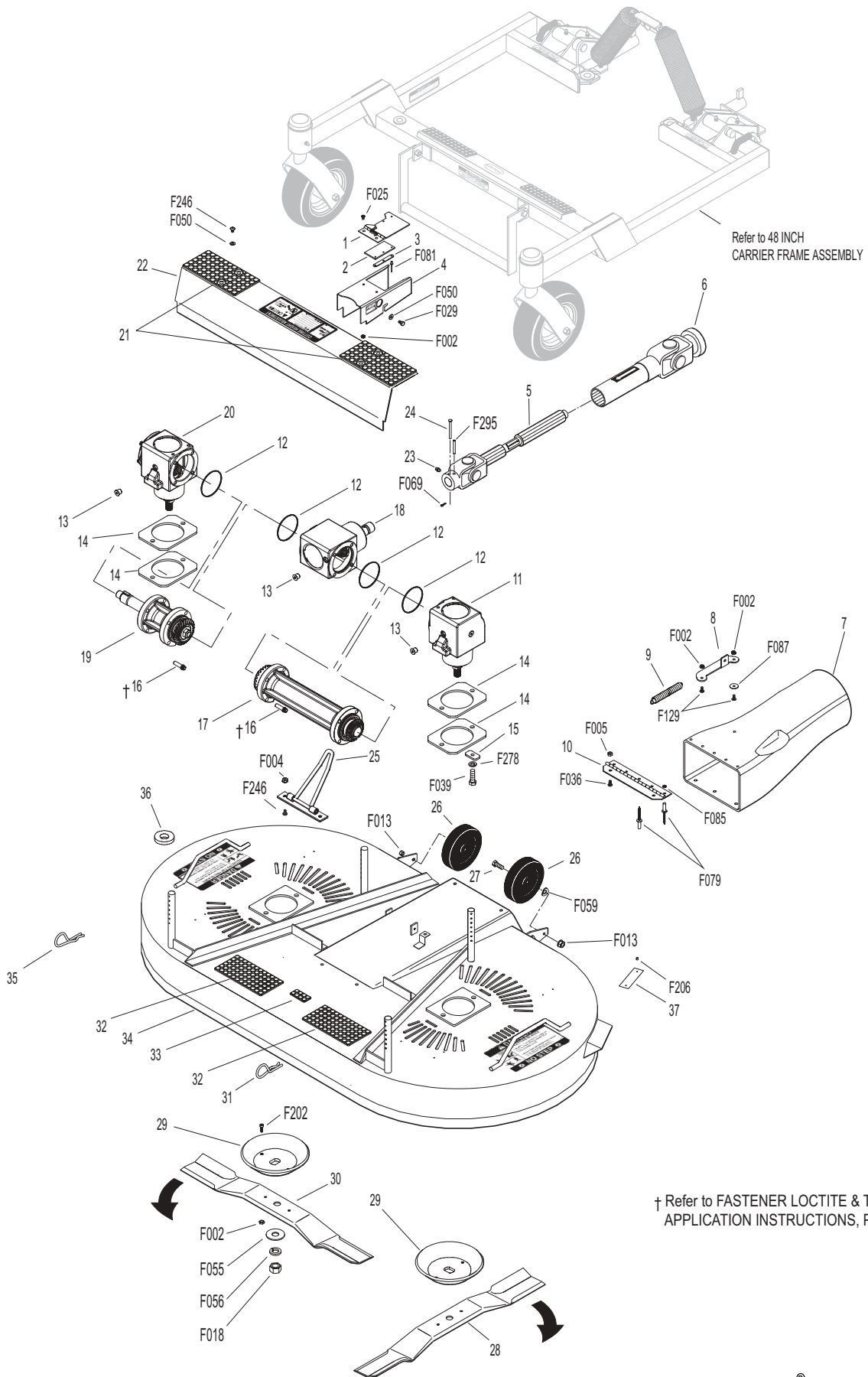
DGHS48EOHD DECK ASSEMBLY (P/N 8557-1)

ITEM NO.	PART NO.	DESCRIPTION	NO. REQ'D	ITEM NO.	PART NO.	DESCRIPTION	NO. REQ'D
Gearbox and Drive Components				33	8788-1	Rubber Mat (1 x 2)	1
1	8618-2	Cover, PTO Shaft Guard (Includes Items # 2, 3, & F081)	1	34	8555-1	48EOHD GHS Deck Housing (Includes Items # 32 & 33)	1
2	5161-10	Rubber Flap	1	35	7775-2	Hitch Pin, RH (Gold) #6	2
3	8620-30	Backing Plate, Flap	1	36	5727-1	Washer Shim (5/8 ID)	4
4	8561-1	PTO Shaft Guard	1	37	NS	Deck Serial Number Plate	1
	8560-1	PTO Shaft Guard Assembly (Includes Items # 1, 2, 3, 4, F002 & F025)	*	Fasteners			
5	7285-15	U-Joint Shaft Assy, 90 Degree, Spline (Includes Items # 23, F069 & F295)	1	F002	10-24 Keps Nut		9
6	7275-16	U-Joint Tube Assy, Spline	1	F004	1/4-20 Keps Nut		2
7	8494	Discharge Chute Assembly with Spring Mount (Includes Items # 8, 10, F002, F079, F085, F087, F129)	*	F005	1/4-20 ESNA Nut		2
8	8489	Spring Mount, Chute	1	F013	3/8-16 Whiz Locknut		2
9	8677	Extension Spring (1 x 6-1/16)	1	F018	5/8-18 Hex Nut		2
10	8488	Chute Hinge (2 x 8)	1	F025	10-24 x 3/8 PPHMS		2
11	NS	Gearbox Assembly	1	F029	1/4-20 x 1/2 Hex Bolt		2
12	NS	O-Ring, HD (Viton)	4	F036	1/4-20 x 1/2 SBH Screw		2
13	NS	O-Ring Plug	3	F039	3/8-16 x 1-1/4 Hex Bolt		4
14	7600-20	Riser Plate (3/16")	4	F050	1/4 SAE Washer		4
15	5052-3	1.375 x .750 x .187 Washer	4	F055	5/8 SAE Washer		2
16	NS	Screw, 5/16-18 x 1	16	F056	5/8 Split Lock Washer		2
17	NS	Tube Assembly	1	F059	3/8 Wave Spring Washer		2
18	NS	Gearbox Assembly	1	F069	3/32 x 1/2 Cotter Pin		1
19	NS	Tube Assembly	1	F079	A/A66D Aluminum Pop Rivet		*
20	NS	Gearbox Assembly	1	F081	A/A45D Aluminum Pop Rivet		3
21	5747-14	Rubber Mat (3 x 6)	4	F085	3/16 Rivet Backup Washer		*
22	8559-5	Gearbox Cover (Includes Item # 21)	1	F087	#10 x 7/8 Fender Washer		2
23	5830	Grease Fitting	1	F129	10-24 x 1/2 PTHMS		3
24	8067-10	Shear Pin w/Cotter (Set of 5) (Includes Item # F069)	*	F202	10-24 x 5/8 SHC Screw, GR5 SS		4
Deck Housing Components				F206	#2 x 3/16 Drive Pin		2
25	8670-9	Tilt-Up Hook	1	F211	1/4-20 x 7/8 Hex Bolt		16
26	5162-11	Roller Wheel (5" Poly) (Includes Item # F059)	2	F246	1/4-20 x 1/2 PTHMS		4
27	8490	Roller Wheel Axle Bolt	2	F278	3/8 Split Lock Washer		4
28	7705-6	Blade, 27" (RH Rotation)	1	F295	3/16 x 1-1/2 Split Spring Pin		1
29	5706	Blade Hub & Trash Guard	2	* Service Part Only			
30	7705-7	Blade, 27" (LH Rotation)	1	NOTE: Order Item # 5 to use the splined deck PTO shaft with Model MT, MD and MC-Twin (S/N 98-33662 and on) if tractor is not equipped (tractors S/N prior to S/N 9937748).			
	7705-9	48 GHSHD Blade Set with Hubs (Includes Items # 28-30, F002 & F202)	*	NOTE: For ordering NS parts contact: Von Ruden Manufacturing, Inc. 1008 First Street NE, PO Box 699 Buffalo, MN 55313-0699 USA (Phone) 1-763-682-3122 (Fax) 1-763-682-3954 E-mail: sales@vonruden.com Web: www.vonruden.com			
31	7775-1	Hitch Pin, LH (Silver) #6	2				
32	5747-10	Rubber Mat (3 x 6)	2				

Use only genuine **Walker**® replacement parts.

Effective Date 07-01-04

DGHS48EOHD DECK ASSEMBLY (P/N 8557-1)



Effective Date 07-01-04

Use only genuine **Walker**® replacement parts.

FASTENER LOCTITE® APPLICATION & TORQUE INSTRUCTIONS

ITEM NO.	PART NO.	DESCRIPTION	NO. REQ'D
----------	----------	-------------	-----------

Heavy Duty Gear Drive Assemblies

Items # 1 & 2 apply to all Heavy Duty deck models.

- 1 Torque Item # 1 used on Heavy Duty Gear Boxes to 125 in-lb (14.4 N·m). **DO NOT** apply Loctite®.
- 2 Apply Loctite® Threadlocker # 277 (Red) to Item # 2 on Heavy Duty Gearbox Connector Tubes). Torque to 300 in-lb (34.7 N·m).

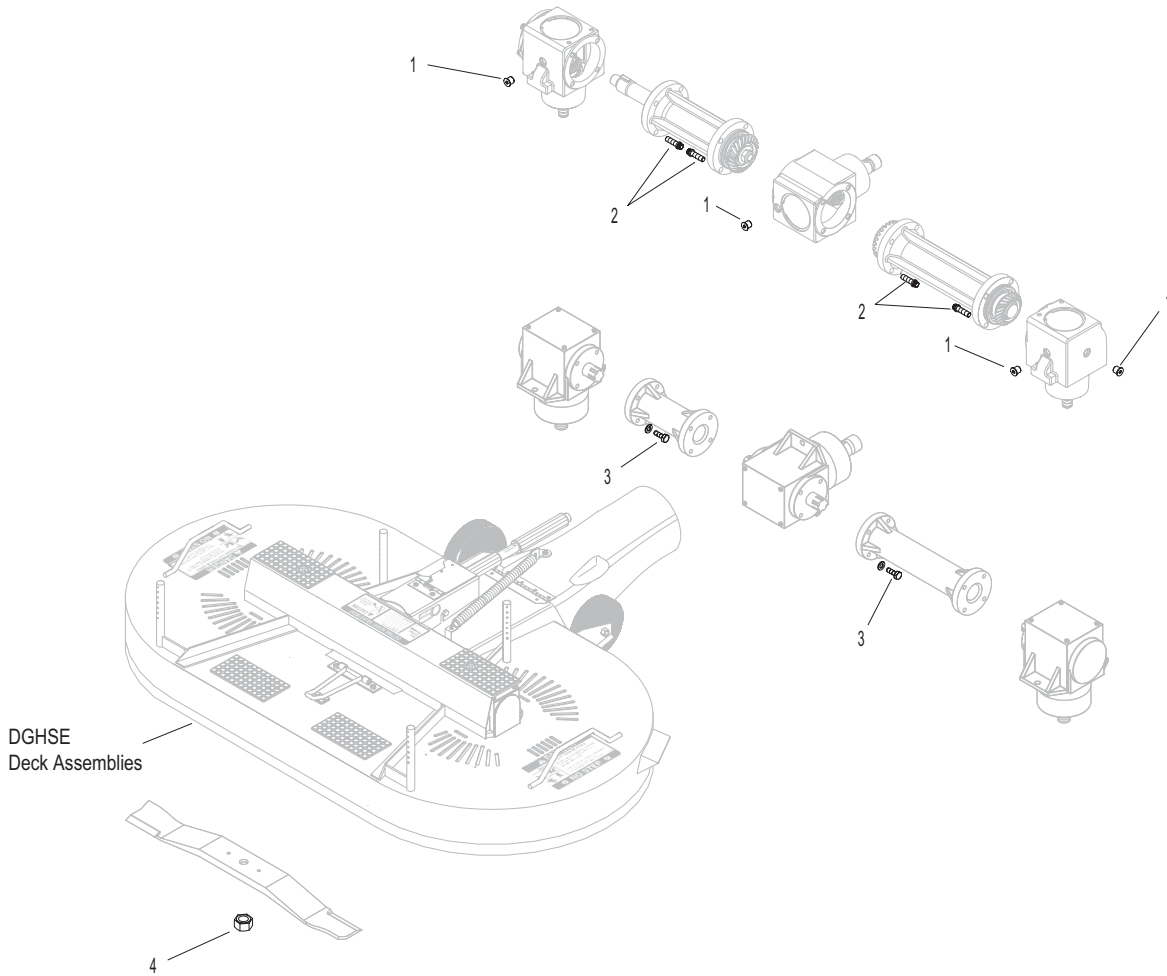
ITEM NO.	PART NO.	DESCRIPTION	NO. REQ'D
----------	----------	-------------	-----------

DGHSE Deck Assemblies

Items # 3 & 4 apply to all standard deck models.

- 3 Apply Loctite® Threadlocker # 242 (Blue) to P/N F211 (1/4-20 x 7/8 Hex Bolt, used on Gearbox Connector Tubes) prior to assembly. Torque to 90 in-lb (10.2 N·m).
- 4 Torque P/N F018 (5/8-18 Hex Nut, used on underside of blades) to 60 ft-lb (81.4 N·m). **DO NOT** apply Loctite®.

FASTENER LOCTITE® APPLICATION & TORQUE INSTRUCTIONS



LUBRICATION POINTS

ITEM NO.	LOCATION	LUBRICATION TYPE	NO. PLACES
----------	----------	------------------	------------

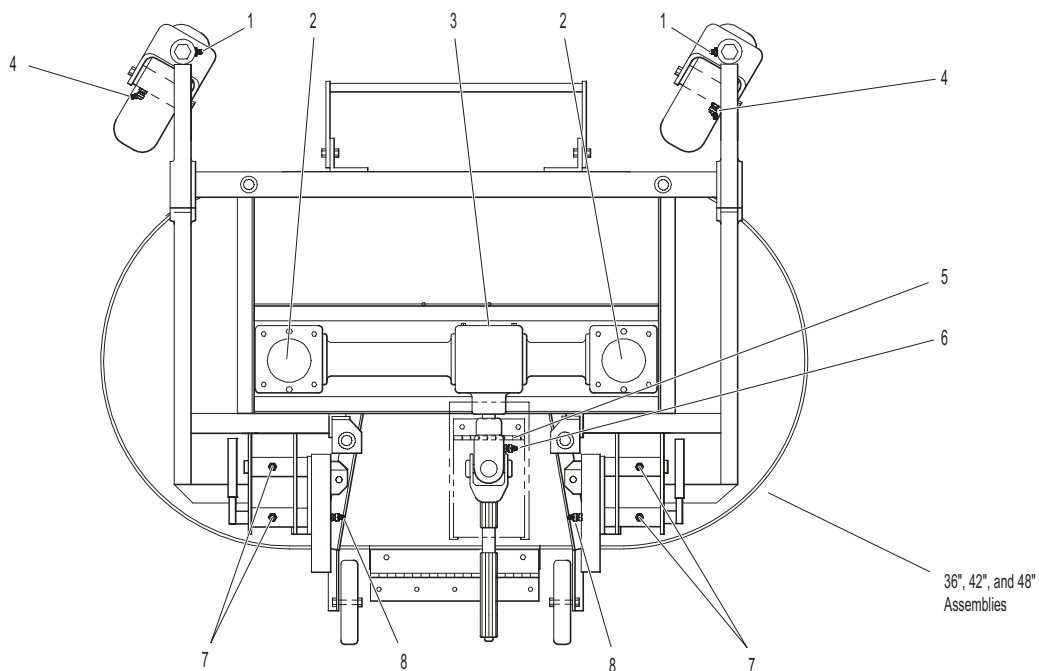
36E, 42E & 48E Assemblies

1	Deck Caster Wheel Fork Pivot	Grease	2
2	Blade Drive Gearbox	Oil*	2
3	Tee Gearbox, Deck	Oil*	1
4	Deck Caster Wheel Bearing	Grease	2
7	Universal Joint Shaft Assembly	Grease**	1
8	Pivot Assembly, Tilt-Up Deck	Grease	4
9	Deck Support Arm Socket	Grease	2

* Gearboxes are permanently lubricated and sealed requiring no scheduled lubrication. Oil level should be checked only when an oil leak is noted.

** Grease every eight (8) hours.

NOTE: Exact location of some Lubrication Points may vary slightly from those shown in the illustration. Decks shown in the illustration are for reference only; for further information on location of parts not shown here, refer to the parts listings for individual Carrier Frames and Deck Assemblies.



LIMITED WARRANTY FOR WALKER COMMERCIAL RIDER MOWER

1. WHAT THIS WARRANTY COVERS, AND FOR HOW LONG:

Walker Manufacturing company will, at its option, repair or replace, without charge, any part covered by this warranty which is found to be defective in material and/or workmanship within one (1) year* after date of sale to the original retail purchaser unless the product is used for rental purposes, in which case this warranty is limited to ninety (90) days. At Walker's request, customer will make the defective part available for inspection by Walker and/or return the defective part to Walker, transportation charges prepaid. All parts and components of the Walker Mower are covered by this warranty **except** the following components which are warranted separately by their respective manufacturers:

Von Ruden Manufacturing, Inc.
Kohler Engine
Kubota Engine
Kawasaki Engine
Eaton Hydraulic Transmission
Peerless Gearboxes
Battery
Tires

The available warranties covering these items are furnished with each mower. Walker does not assume any warranty obligation, liability or modification for these items, which are covered exclusively by the stated warranty of the respective manufacturers noted above.

* An extended three (3) year warranty is offered on the Walker P/N 6200-9 Gear Axle Assembly.

2. WHAT THIS WARRANTY DOES NOT COVER:

- A. This warranty does not cover defects caused by depreciation or damage caused by normal wear, accidents, improper maintenance, improper use or abuse of the product, alterations, or failure to follow the instructions contained in the Owner's Manual for operation and maintenance.
- B. The customer shall pay any charges for making service calls and/or for transporting the mower to and from the place where the inspection and/or warranty work is performed.

3. HOW TO OBTAIN SERVICE UNDER THIS WARRANTY:

Warranty service can be arranged by contacting the dealer where you purchased the mower or by contacting Walker Manufacturing Company, 5925 East Harmony Road, Ft. Collins, CO 80528. Proof of the date of purchase may be required to verify warranty coverage.

4. WARRANTY LIMITATION:

- A. **THERE IS NO OTHER EXPRESS WARRANTY. ANY WARRANTY THAT MAY BE IMPLIED FROM THIS PURCHASE INCLUDING MERCHANTABILITY AND FITNESS FOR A PARTICULAR PURPOSE IS HEREBY LIMITED TO THE DURATION OF THIS WARRANTY AND TO THE EXTENT PERMITTED BY LAW ANY AND ALL IMPLIED WARRANTIES ARE EXCLUDED.** Some states do not allow limitations on how long an implied warranty lasts, so the above limitations may not apply to you.
- B. **WALKER WILL NOT BE LIABLE FOR ANY INCIDENTAL, CONSEQUENTIAL, OR SPECIAL DAMAGES AND/OR EXPENSES IN CONNECTION WITH THE PURCHASE OR USE OF THE MOWER.** Some states do not allow the exclusion or limitation of incidental or consequential damages, so the above limitation(s) or exclusion(s) may not apply to you.
- C. Only the warranty expressed in this limited warranty shall apply and no dealer, distributor, or individual is authorized to amend, modify, or extend this warranty in any way. Accordingly, additional statements such as dealer advertising or presentations, whether oral or written, do not constitute warranties by Walker, and should not be relied upon.
- D. This warranty gives you specific legal rights, and you may also have other rights which vary from state to state.

WALKER MOWERS™

WALKER MFG. CO. • 5925 E. HARMONY ROAD, FORT COLLINS, CO 80528 • (970) 221-5614
FORM NO. 070104 PRINTED IN USA www.walkermowers.com ©2004 WALKER MFG. CO

Free Manuals Download Website

<http://myh66.com>

<http://usermanuals.us>

<http://www.somanuals.com>

<http://www.4manuals.cc>

<http://www.manual-lib.com>

<http://www.404manual.com>

<http://www.luxmanual.com>

<http://aubethermostatmanual.com>

Golf course search by state

<http://golfingnear.com>

Email search by domain

<http://emailbydomain.com>

Auto manuals search

<http://auto.somanuals.com>

TV manuals search

<http://tv.somanuals.com>