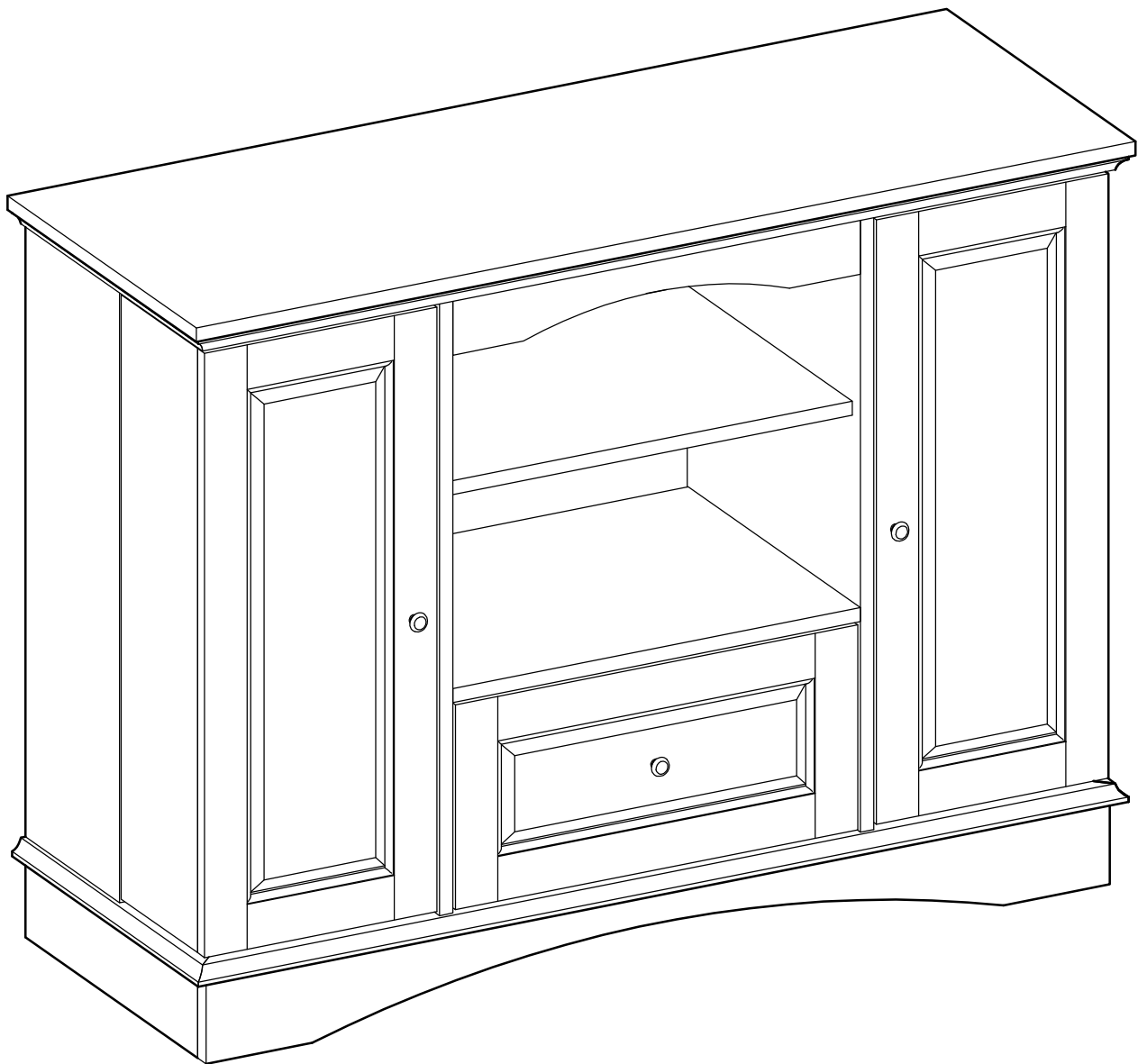


**W** Walker  
Edison  
furniture company

Item #: WQ42BC3  
Assembly Instructions

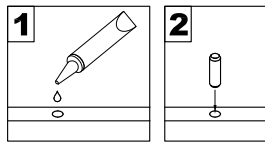


*For our most current instructions, to request missing, lost or broken parts, or for any other Customer Service issues, please visit our website at [www.walkerediton.com](http://www.walkerediton.com) or call us at 877-207-5906.*

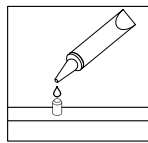
Revised 09/2010

# General Assembly Guidelines

- I. Ensure that all parts and hardware are available before beginning assembly.
- II. Follow each step carefully to ensure the proper assembly of this product.
- III. Two people are recommended for ease in the assembly of this product.
- IV. The four main types of hardware used to assemble this product are: wood dowels, cam bolts and locks, bolts and screws.
- V. The provided glue is to secure wood dowels in place. When first inserting dowels, locate the appropriate hole for the dowel, place a small amount of glue in the hole and insert the dowel. Wipe away excess glue immediately.



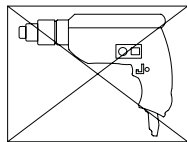
In future assembly steps when dowels are necessary to attach assembly parts together, place a small amount of glue on the end of the dowel before attaching parts together. Wipe away excess glue immediately.



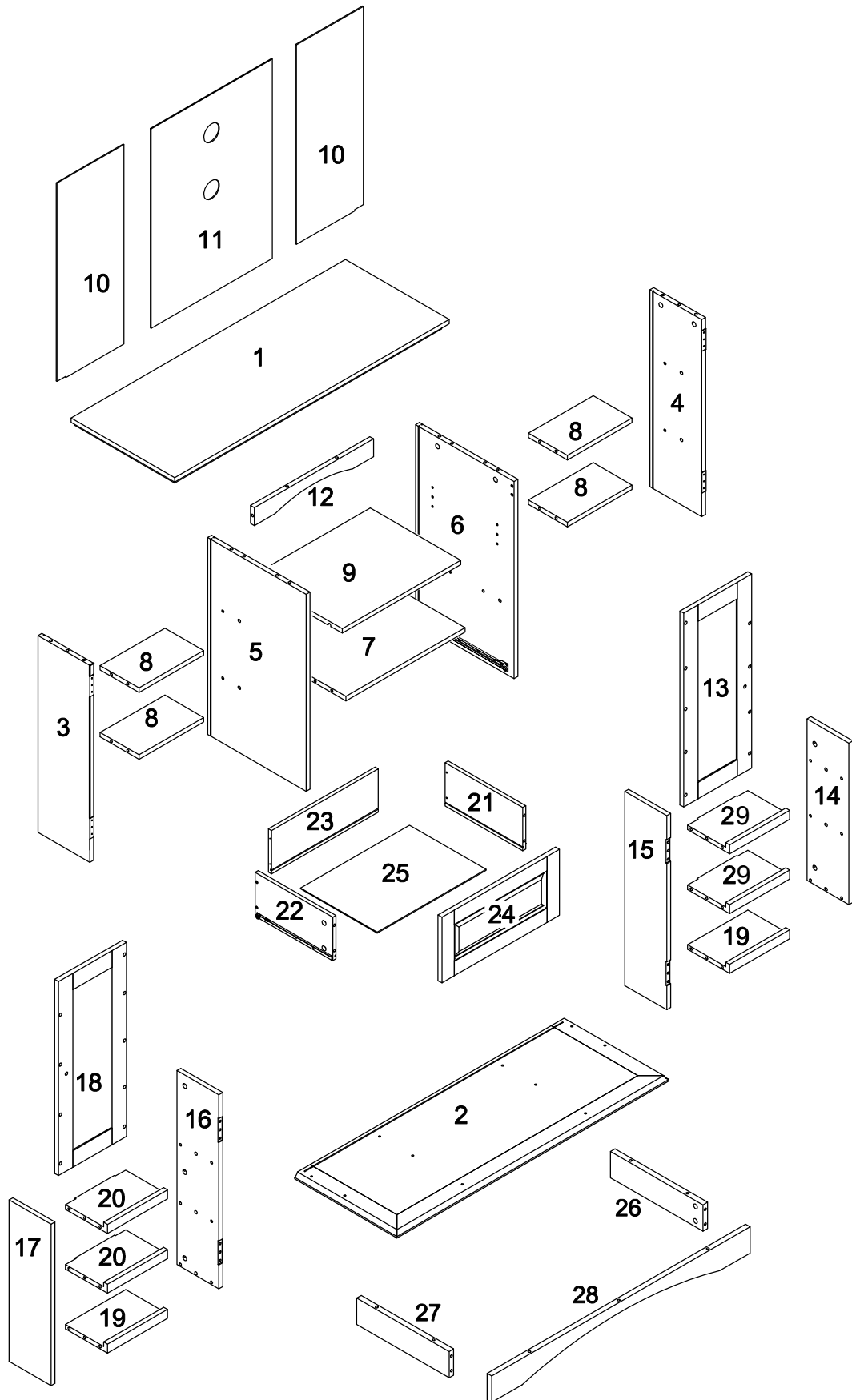
- VI. A Phillips head screwdriver is required for the assembly of this product.




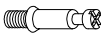


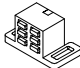


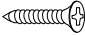


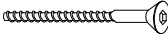
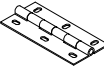
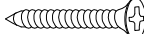
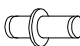
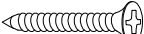
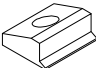
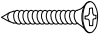

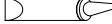

- VII. Power tools should not be used to assemble this product.



# Parts List

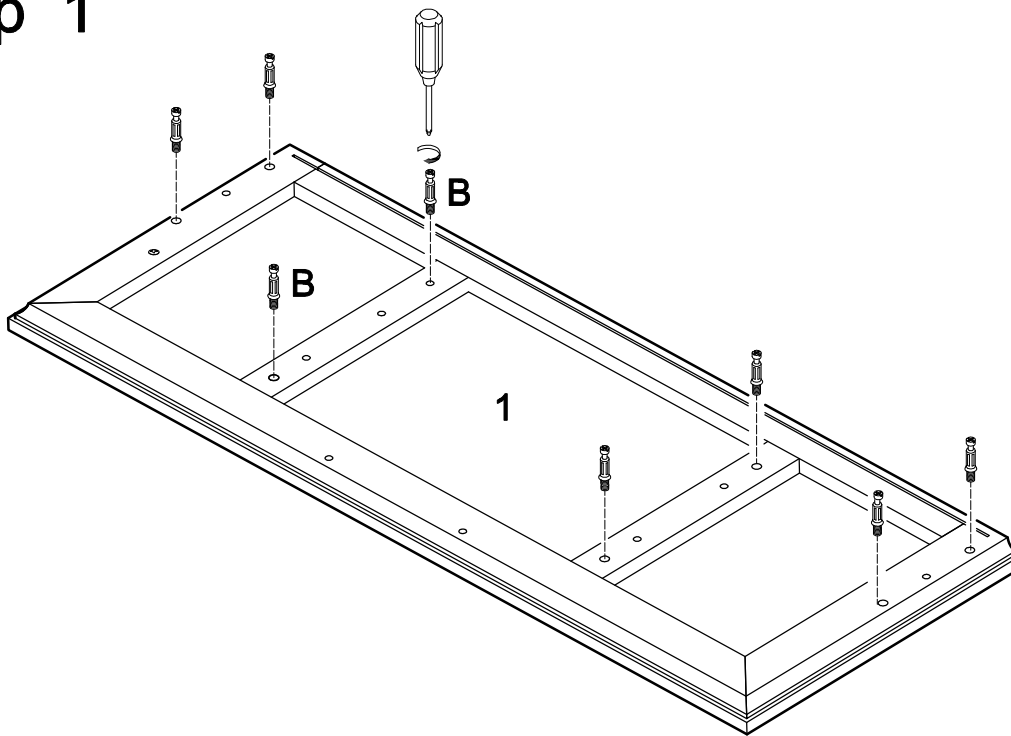


## Hardware List

A		Ø8x30mm	Wood dowel	61 pcs
B		Ø6x35mm	Cam bolt	52 pcs
C		Ø15x12mm	Large cam lock	48 pcs
D		Ø15x10mm	Small cam lock	4 pcs
E			Door stopper	2 pcs
F		Ø3x15mm	Round-head screw	4 pcs
G		30x20mm	Door stopper plate	2 pcs
H		Ø3x12mm	Small screw	2 pcs
I		Ø25x17mm	Handle	3 pcs
J		Ø4x22mm	Small bolt	3 pcs
K		Ø6x50mm	Large bolt	10 pcs
L		83x23x2mm	Door hinge	4 pcs
M		Ø4x20mm	Large screw	24 pcs
N		Ø5x15mm	Shelf support pin	4 pcs
P		Ø4x38mm	Extra-large screw	4 pcs
R			Plastic wedge	12 pcs
S		Ø3x14mm	Medium screw	12 pcs
T		Ø4mm	Wrench	1 pc
U			Glue tube	3 pcs
V		Ø25mm	Sticker	32 pcs

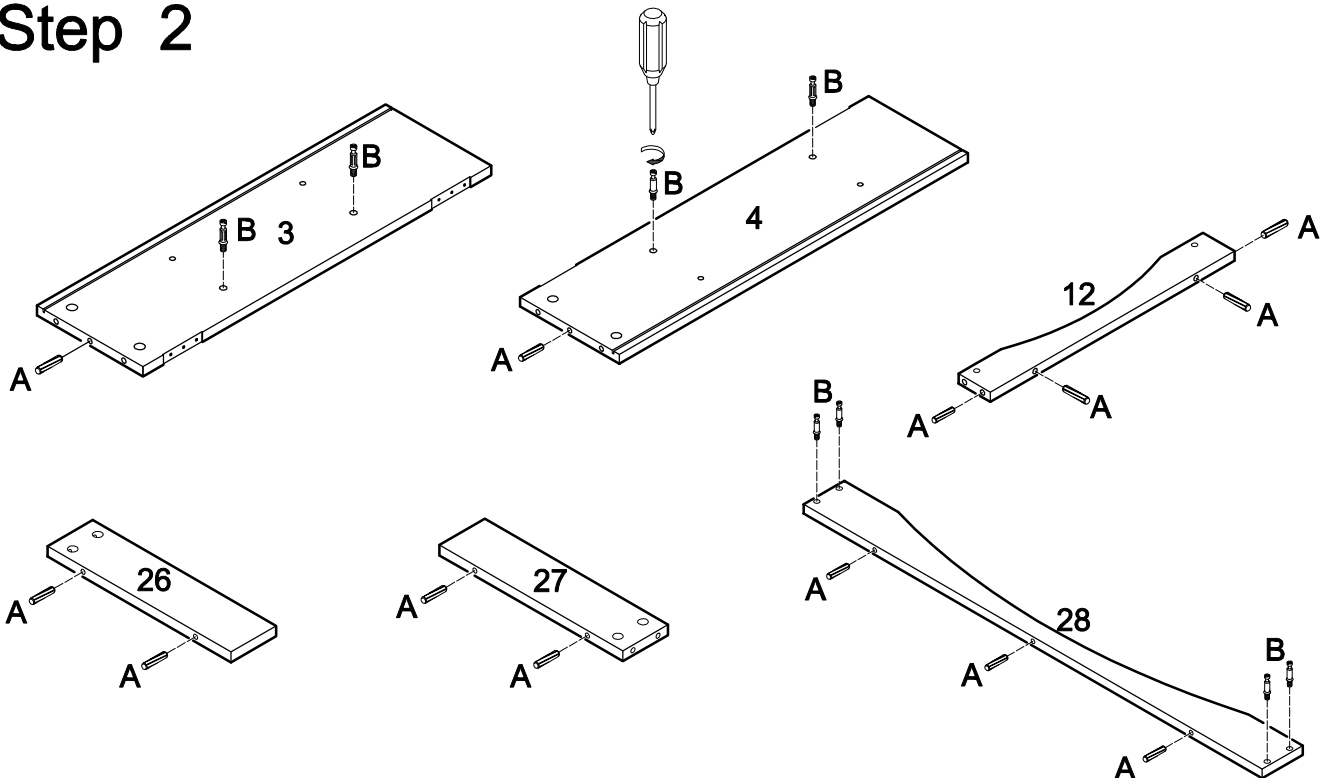
*The hardware quantities listed above are required for proper assembly.  
Some extra hardware may also have been included.*

# Step 1



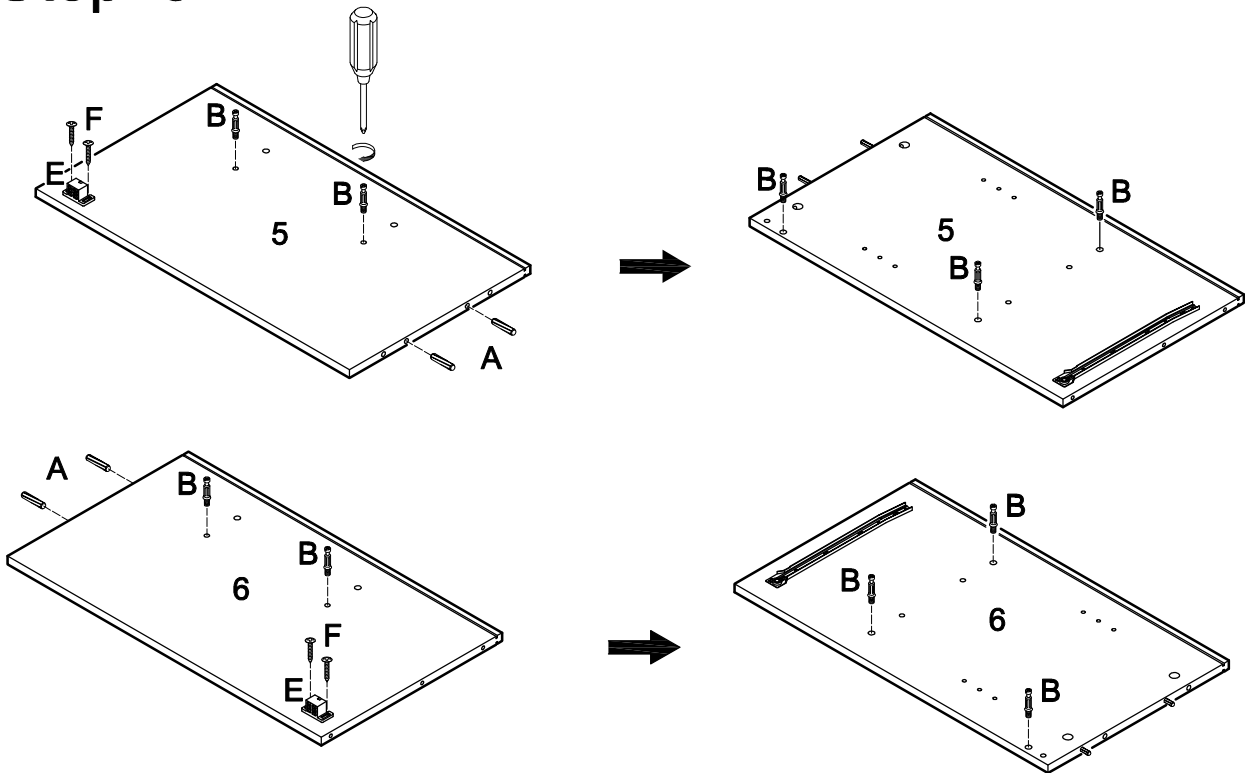
Screw cam bolts (B) into top panel (1).

# Step 2



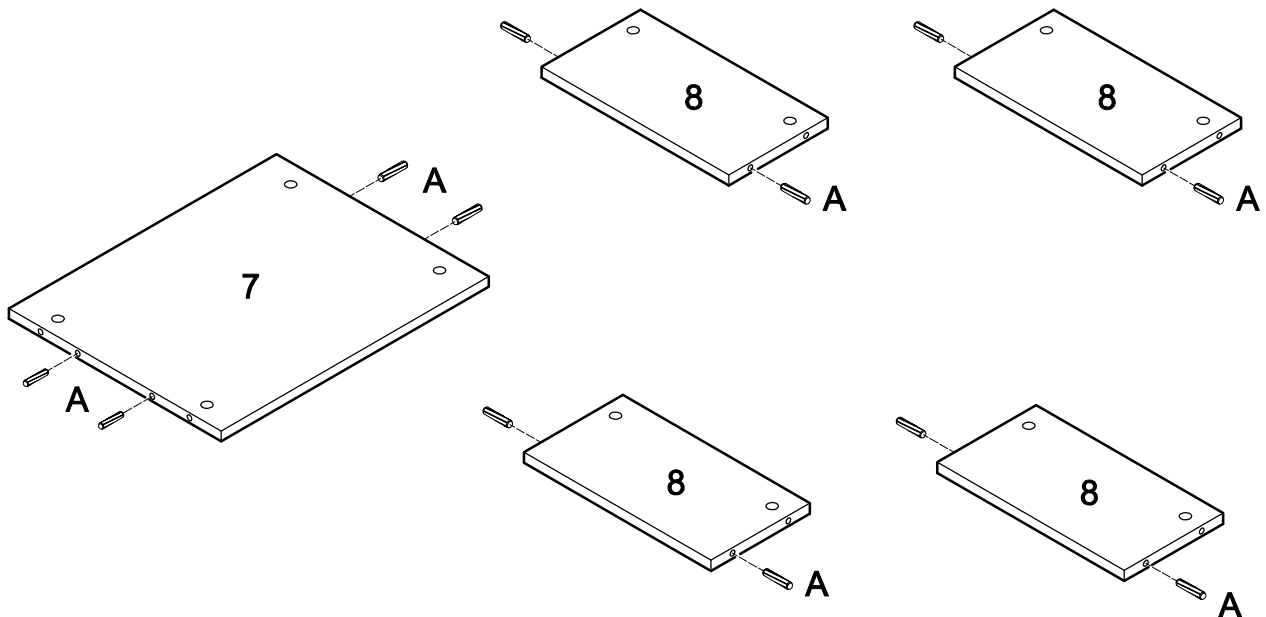
Screw cam bolts (B) into panels (3,4) and slat (28). Insert dowels (A) into panels (3,4) and slats (12, 26,27,28).

## Step 3



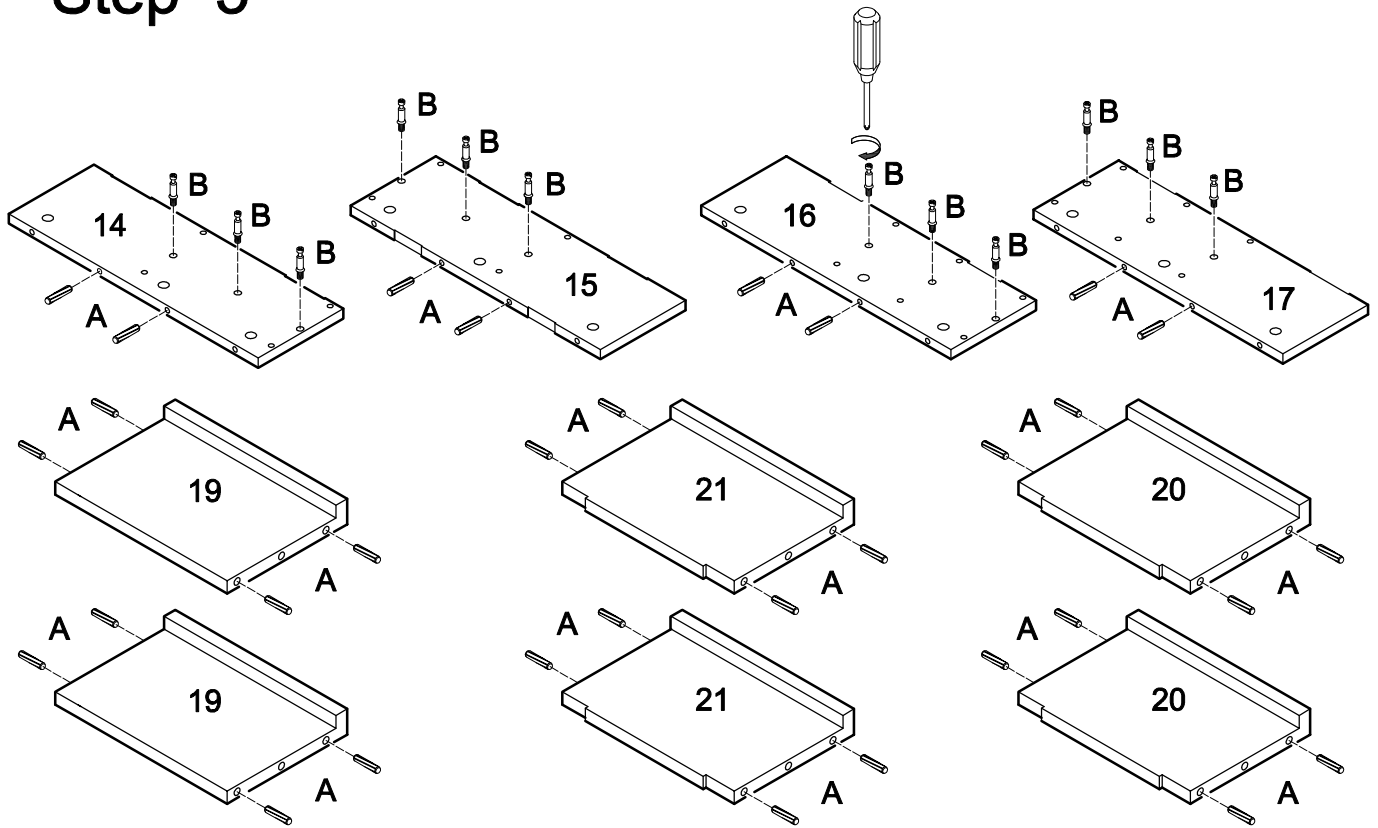
Screw cam bolts (B) and insert dowels (A) into panels (5,6). Attach door stoppers (E) to panels (5,6) using round-head screw (F). Flip panels (5,6) over and screw in cam bolts (B).

## Step 4



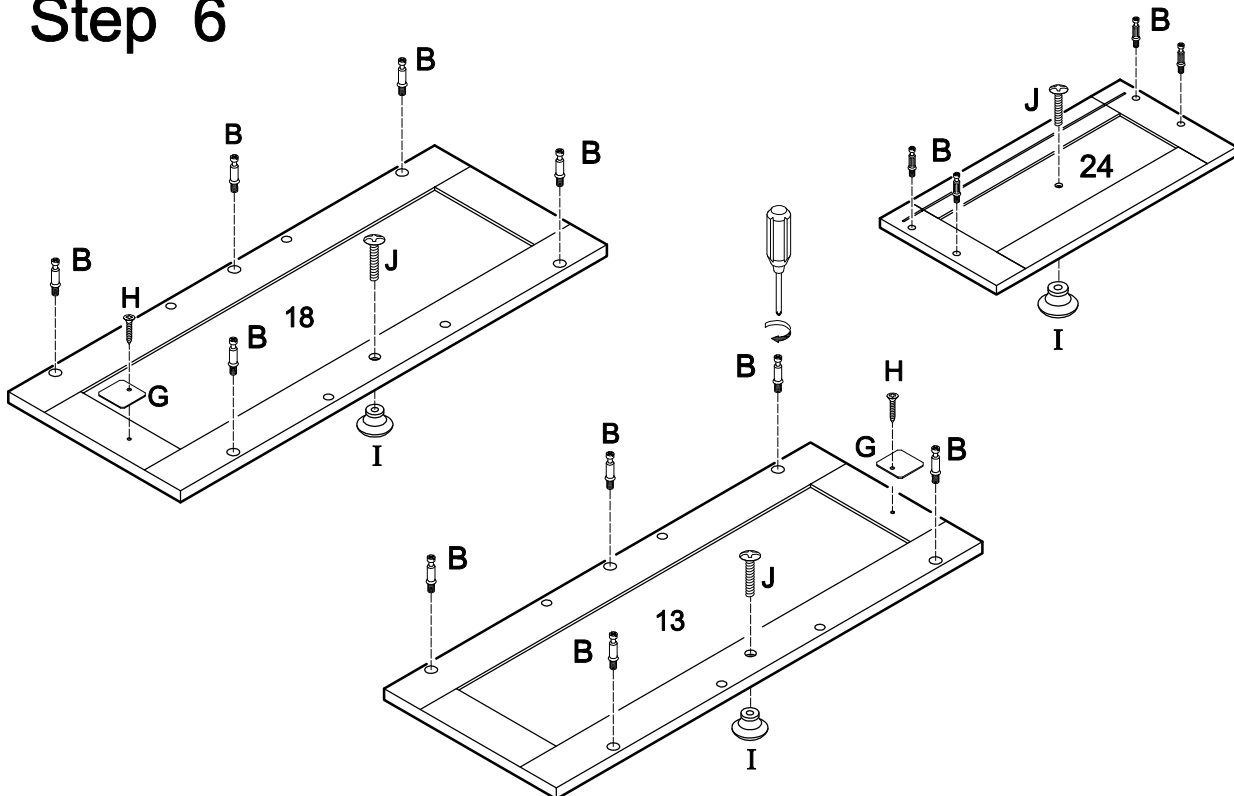
Insert dowels (A) into shelves (7,8).

## Step 5



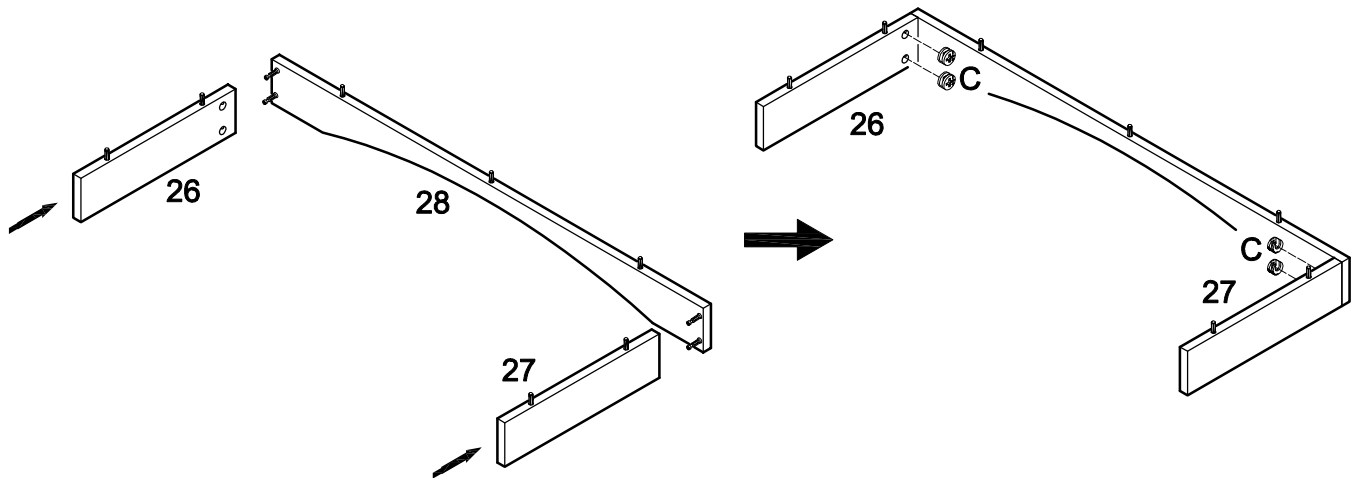
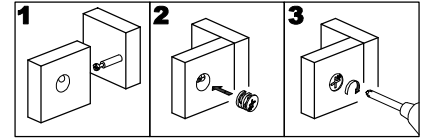
Screw cam bolts (B) and insert dowels (A) into panels (14,15,16,17). Insert dowels (A) into shelves (19,20,21).

## Step 6



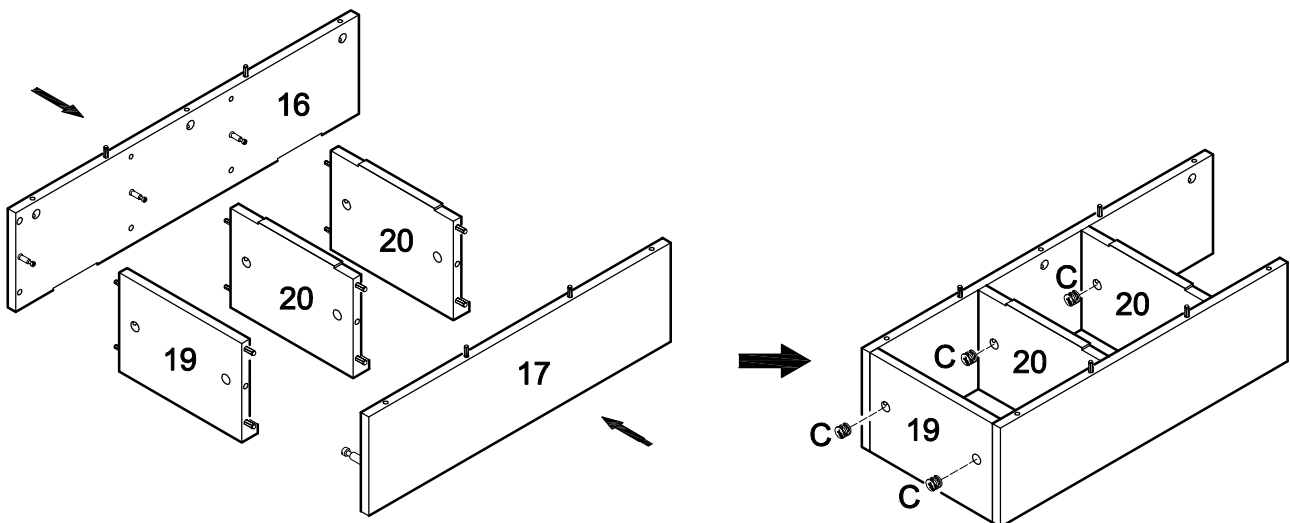
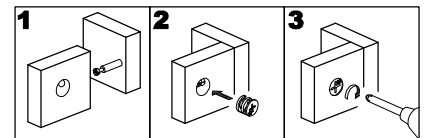
Screw cam bolts (B) into doors (13,18) and drawer front (24). Attach handles (I) to doors (13,18) and drawer front (24) using small bolts (J). Attach door stopper plates (G) to doors (13,18) using small screws (H).

## Step 7



Attach slats (26,27) to slat (28) using cam bolts as guides. Insert cam locks (C) into slats (26,27) and tighten with a screwdriver.

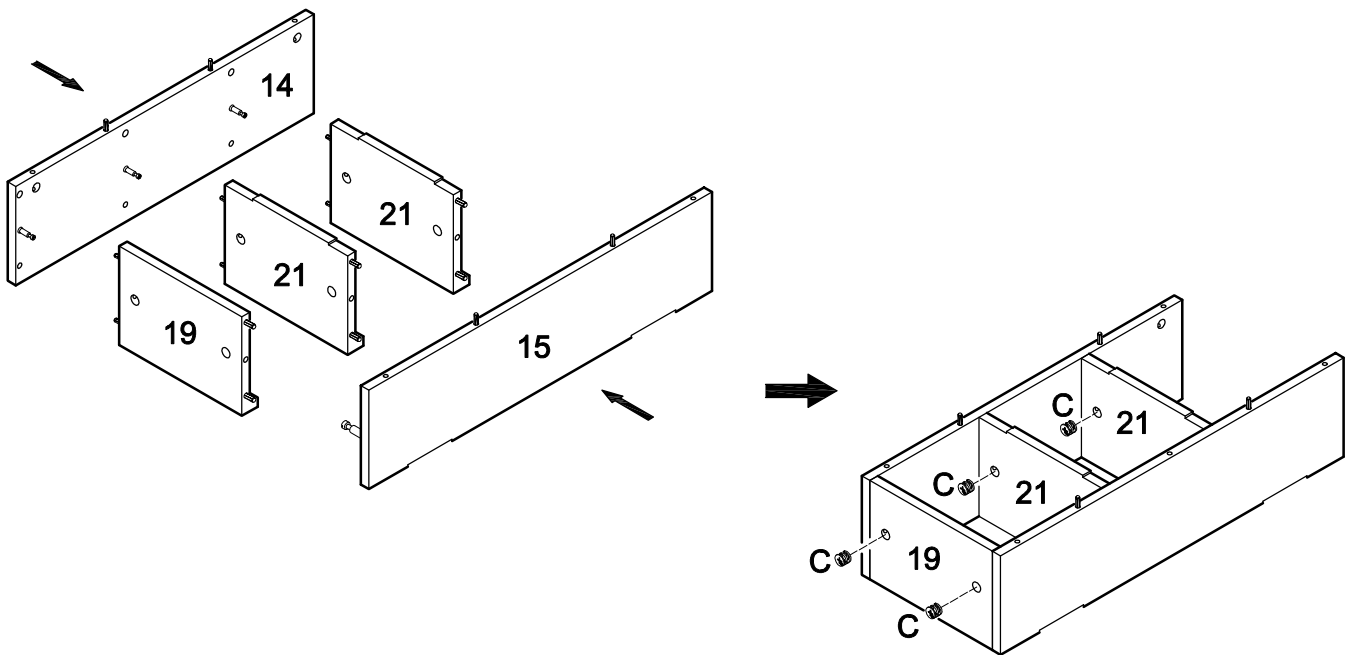
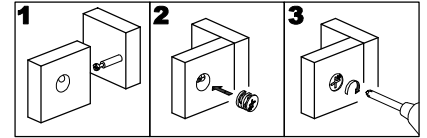
## Step 8



Attach shelves (19,20) to panels (16,17) using cam bolts and dowels as guides. Insert cam locks (C) into shelves (19,20) and tighten with a screwdriver. *Note that two cam locks will be inserted into each shelf.*

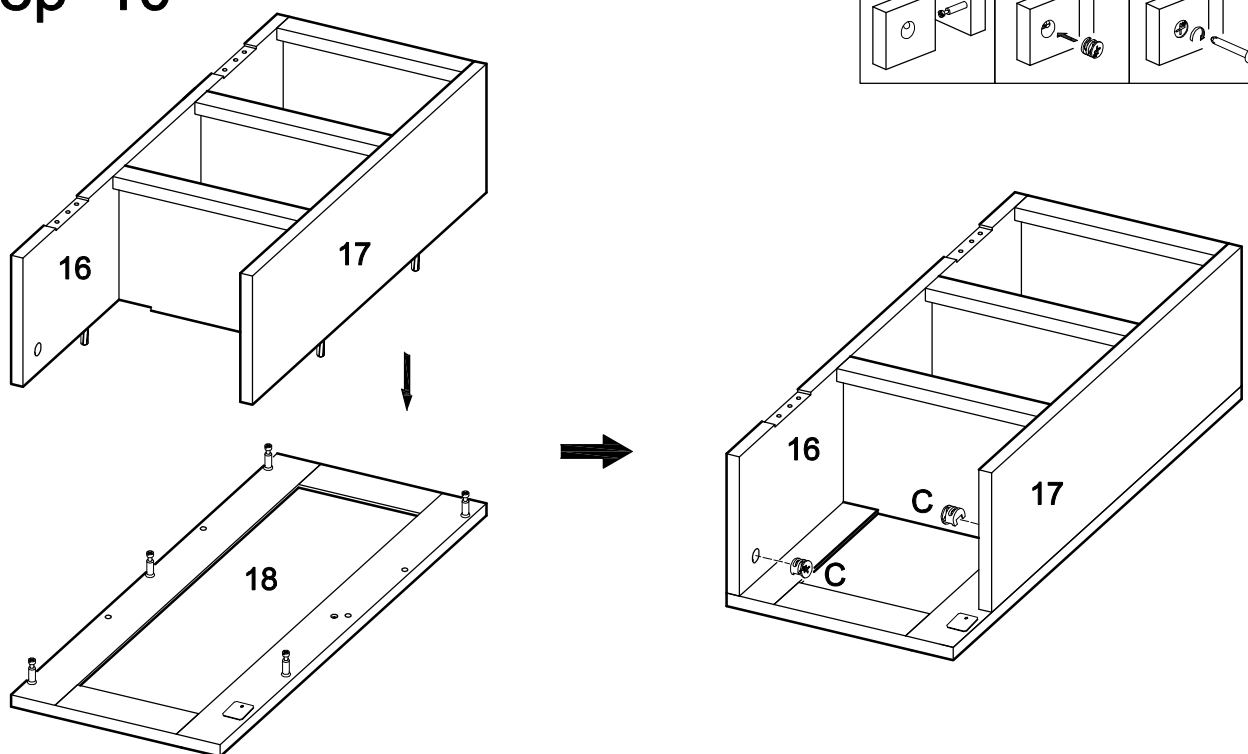
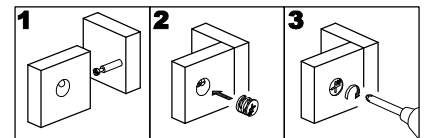


## Step 9



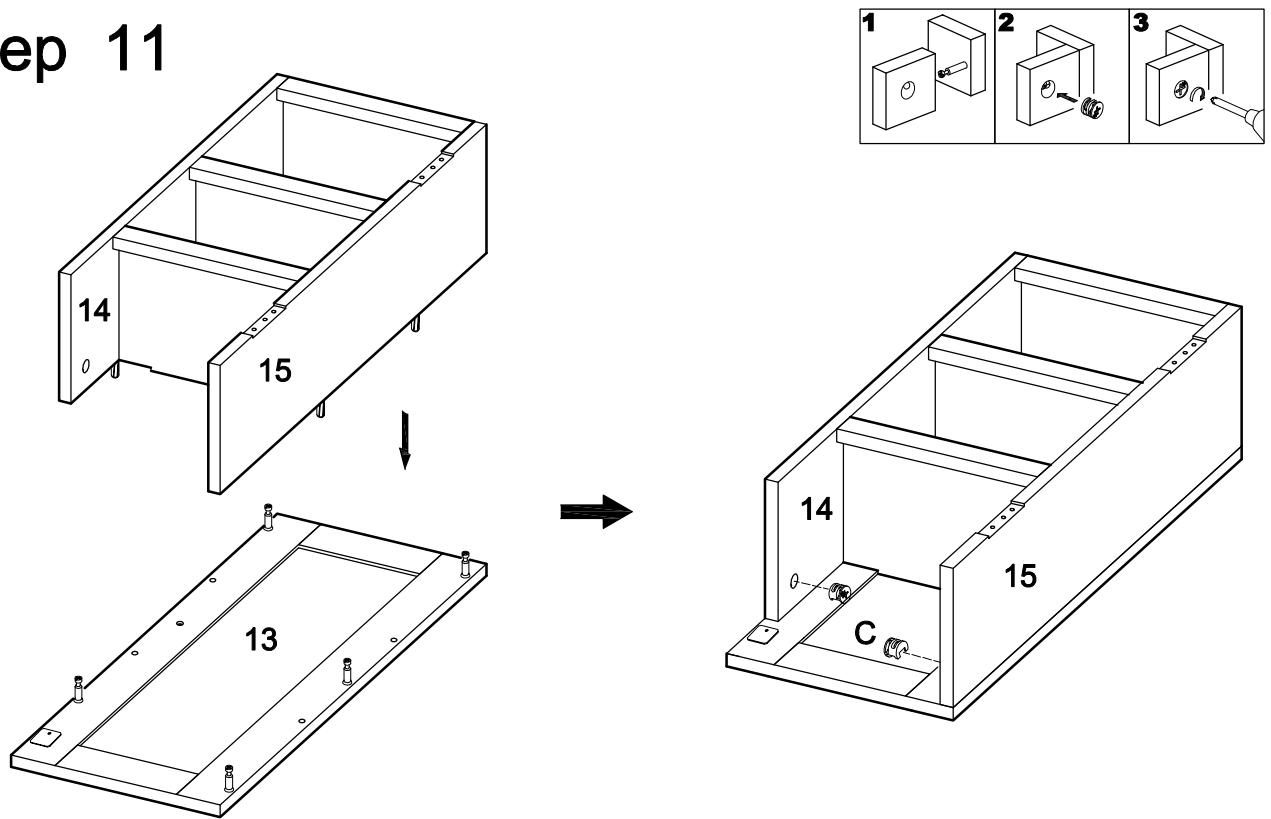
Attach shelves (19,21) to panels (14,15) using cam bolts and dowels as guides. Insert cam locks (C) into shelves (19,21) and tighten with a screwdriver. *Note that two cam locks will be inserted into each shelf.*

## Step 10



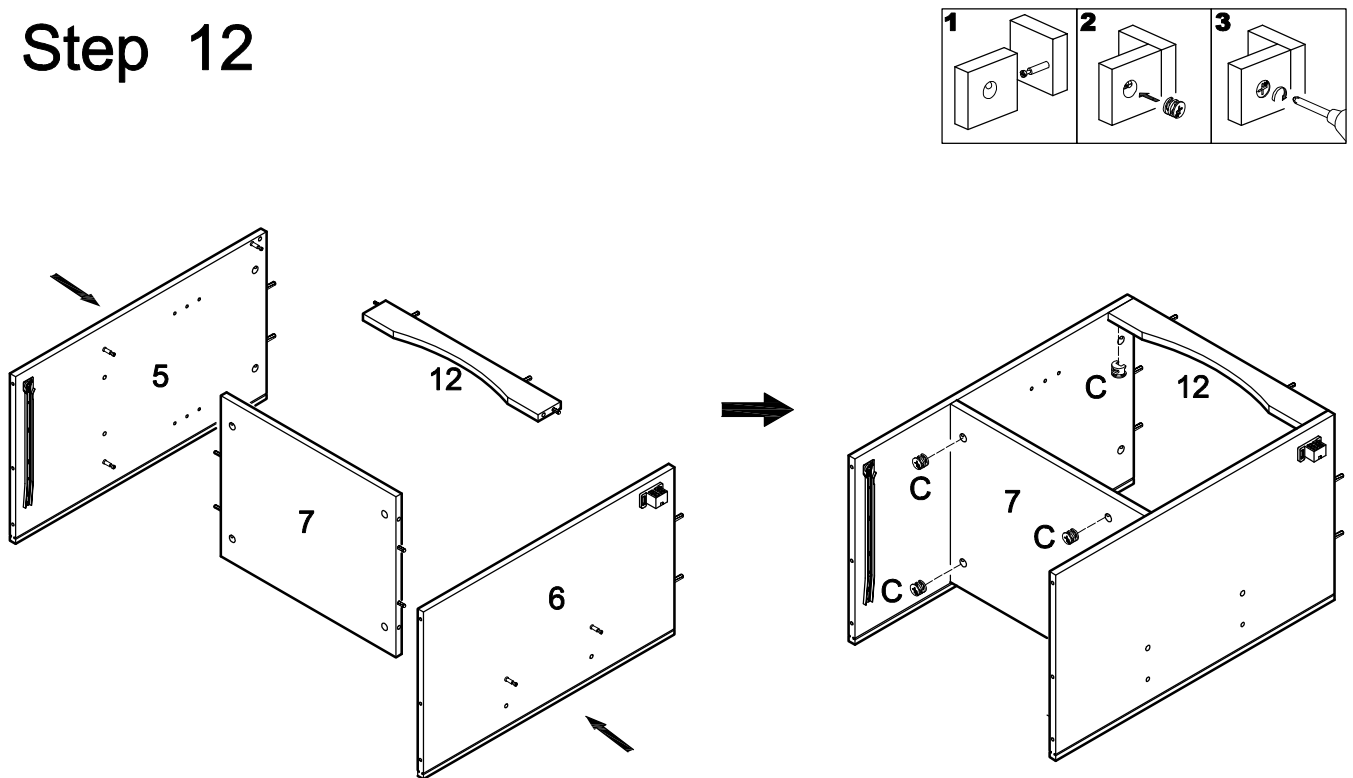
Attach the shelf assembly from Step 8 to door (18) using cam bolts and dowels as guides. Insert cam locks (C) into panels (16,17) and tighten with a screwdriver. *Note that three cam locks will be inserted into panel (16) and two will be inserted into panel (17).*

## Step 11



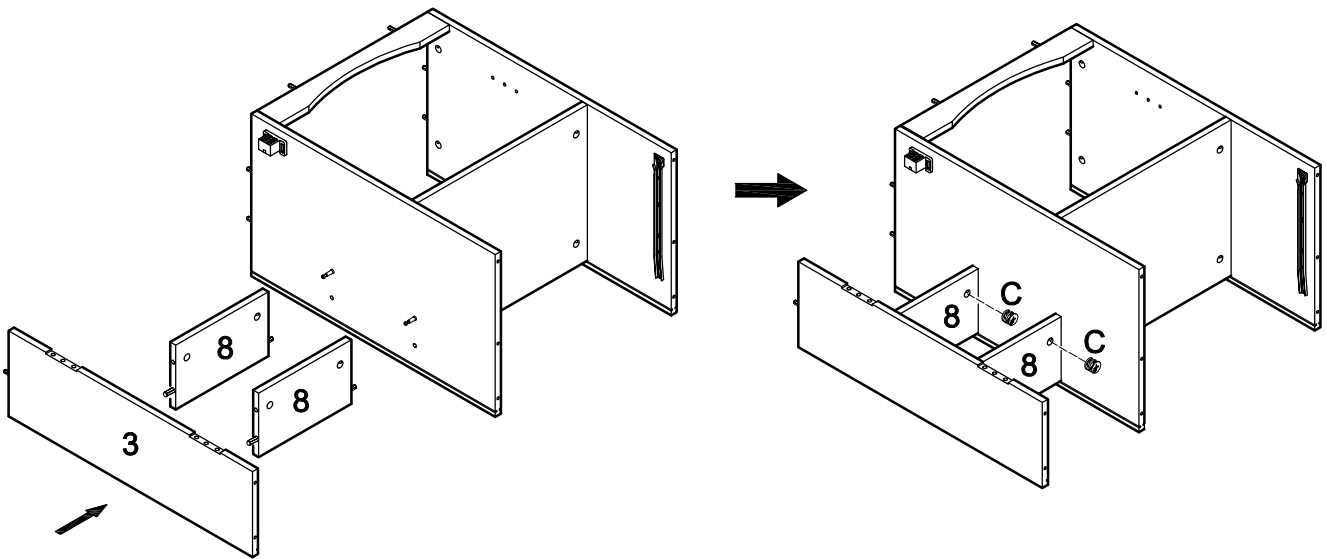
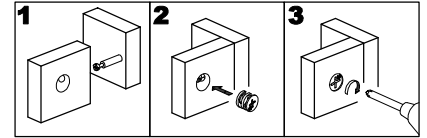
Attach the shelf assembly from Step 9 to door (13) using cam bolts and dowels as guides. Insert cam locks (C) into panels (14,15) and tighten with a screwdriver. *Note that two cam locks will be inserted into panel (14) and three will be inserted into panel (15).*

## Step 12



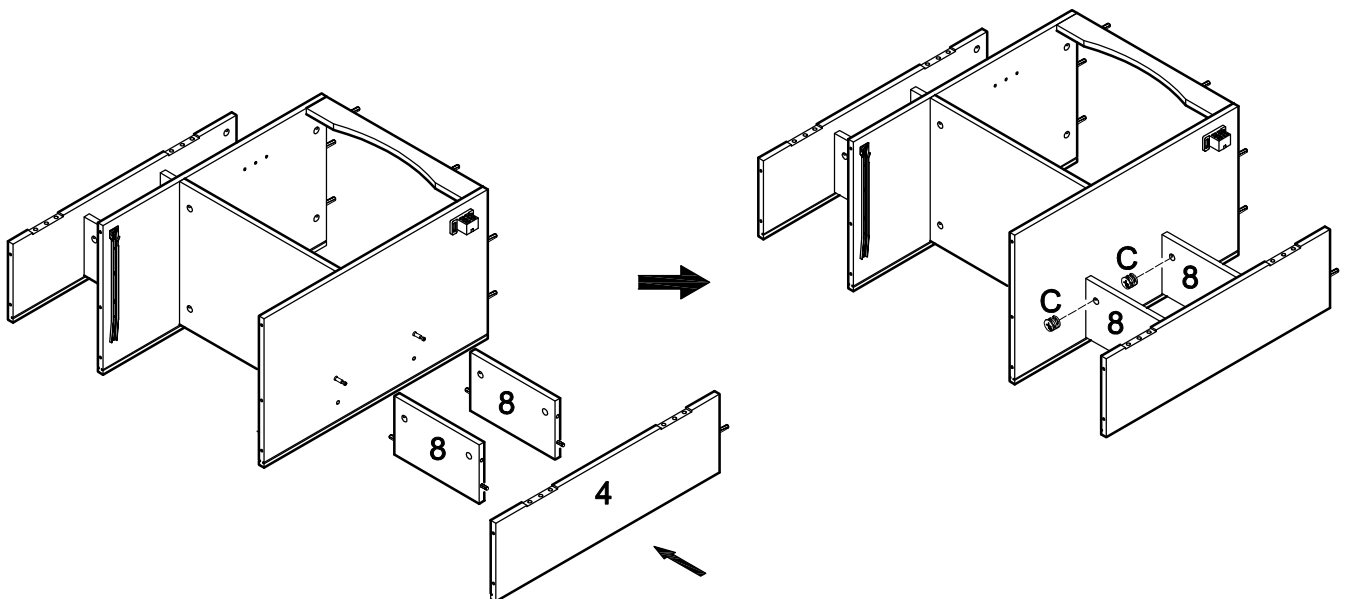
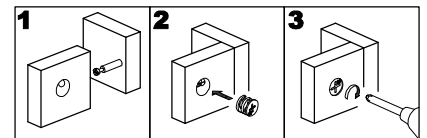
Attach panels (5,6) to panel (7) and slat (12) using cam bolts and dowels as guides. Insert cam locks (C) into panel (7) and slat (12) and tighten with a screwdriver. *Note that four cam locks will be inserted into panel (7), and two will be inserted into slat (12).*

## Step 13



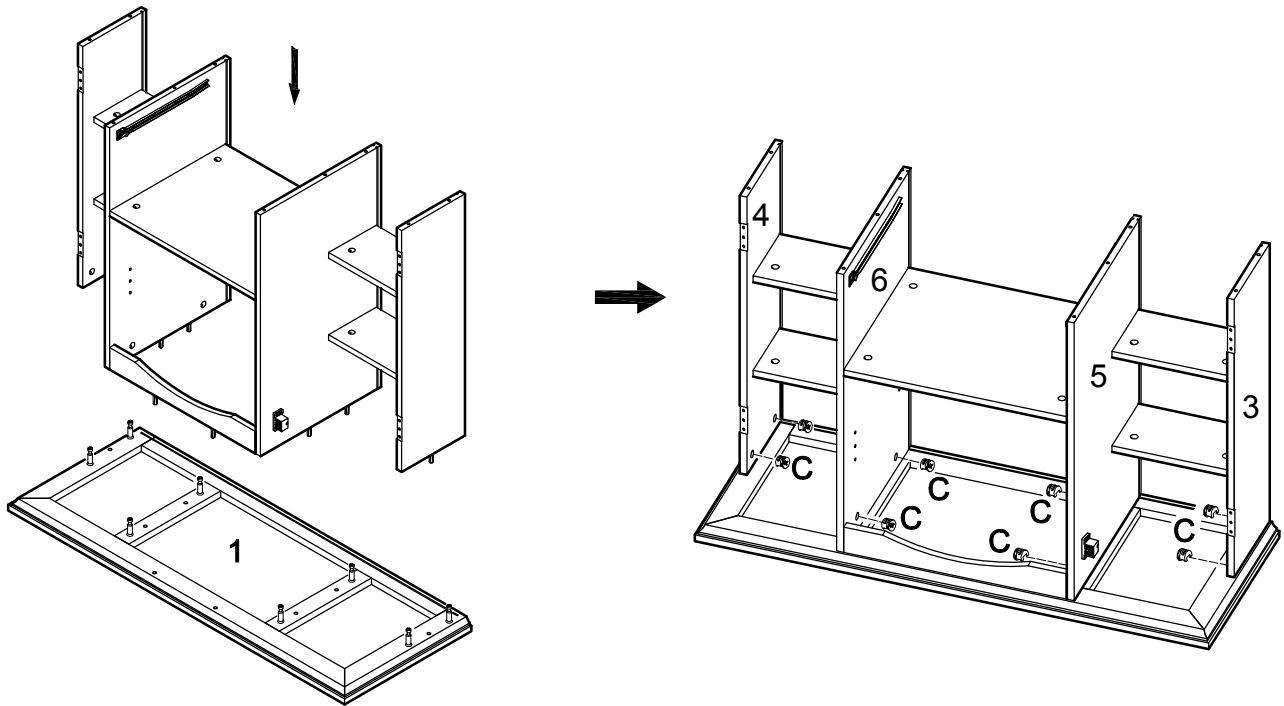
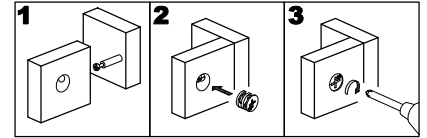
Attach shelves (8) to the frame assembly from Step 12, then attach panel (3) to shelves (8) using cam bolts and dowels as guides. Insert cam locks (C) into shelves (8) and tighten with a screwdriver. *Note that two cam locks will be inserted into each shelf.*

## Step 14



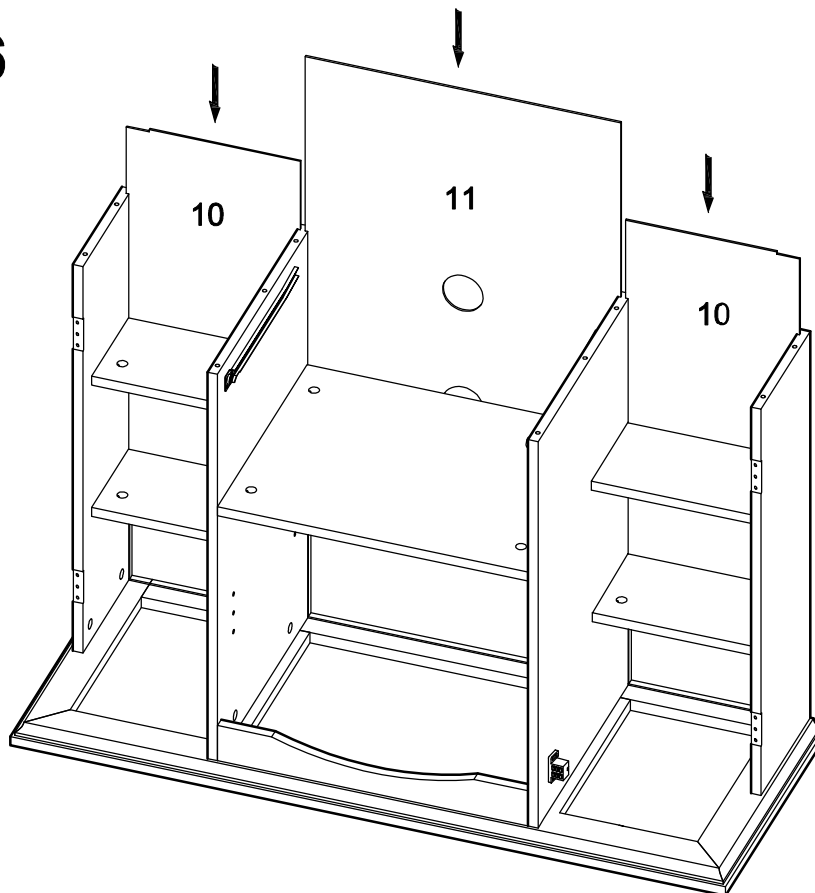
Attach shelves (8) to the opposite side of the frame assembly from Step 12, then attach panel (4) to shelves (8) using cam bolts and dowels as guides. Insert cam locks (C) into shelves (8) and tighten with a screwdriver. *Note that two cam locks will be inserted into each shelf.*

## Step 15



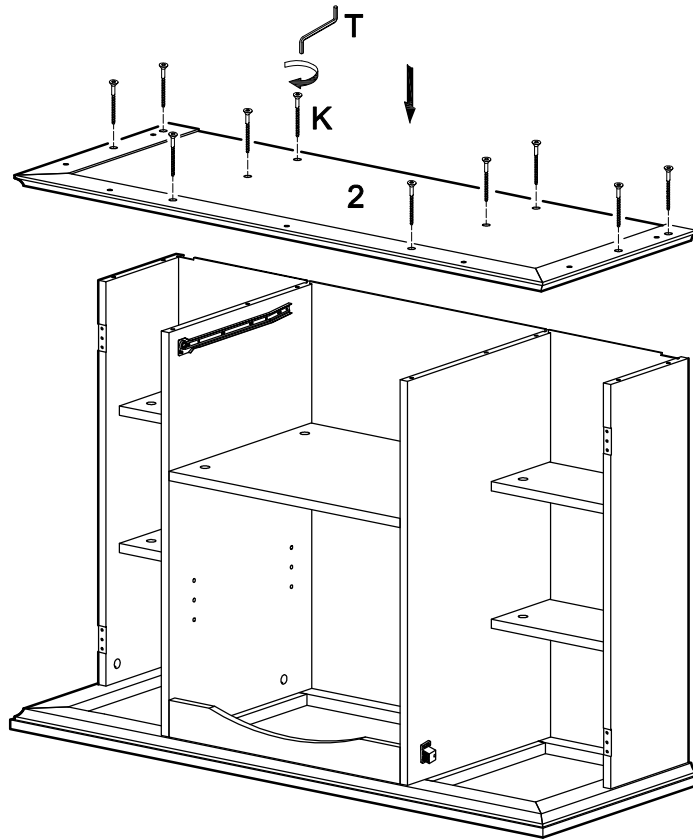
Attach the frame assembly from Step 14 to top panel (1) using cam bolts and dowels as guides. Insert cam locks (C) into panels (3,4,5,6) and tighten with a screwdriver.

## Step 16



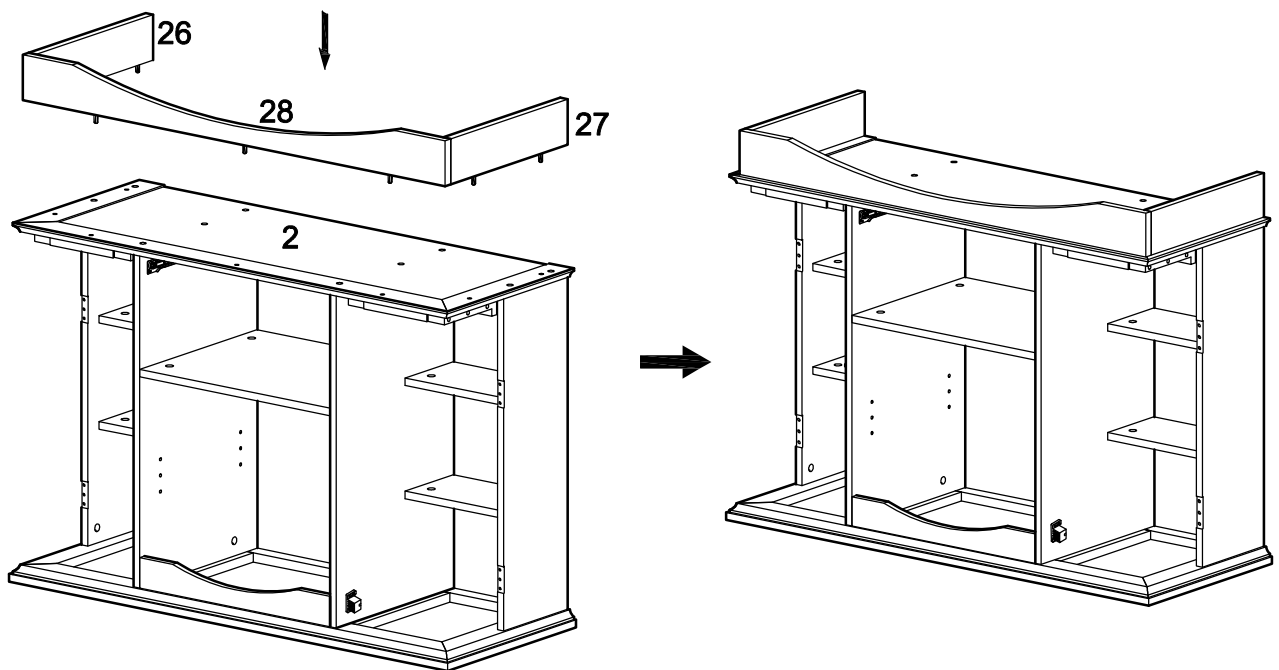
Slide back panels (10,11) into the frame assembly. Note that the back panels will slide down in the grooves along the back of the frame assembly.

## Step 17



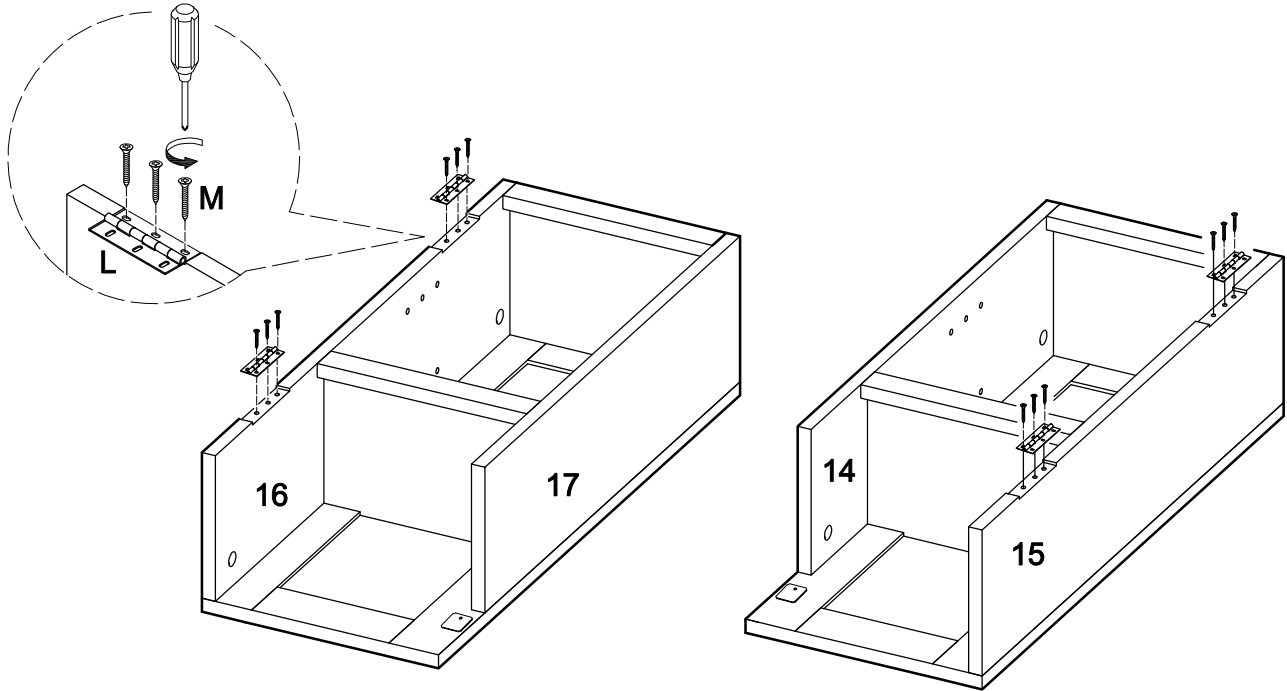
Attach bottom panel (2) to the frame assembly using large bolts (K) and wrench (T).

## Step 18



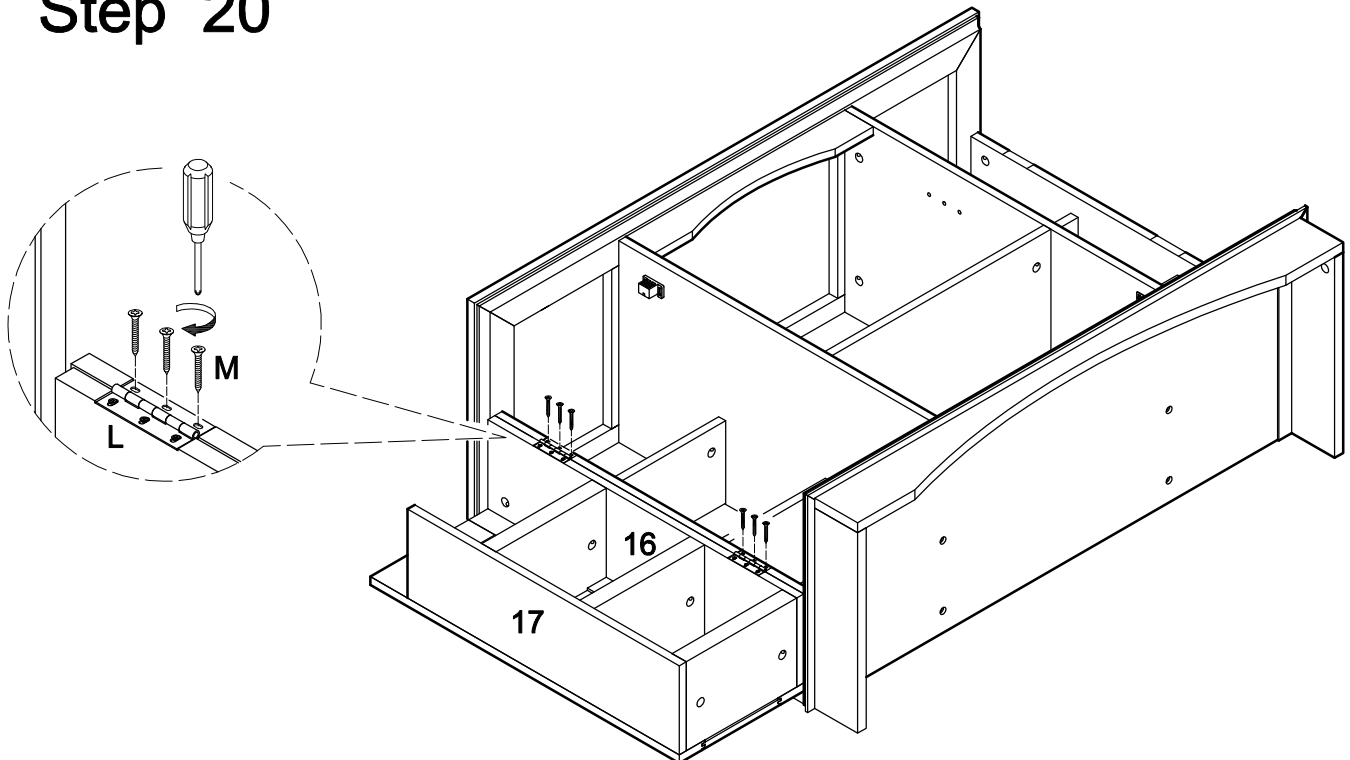
Attach the base assembly from Step 7 to the frame assembly by inserting the dowels of the base assembly into the pre-drilled holes of bottom panel (2).

## Step 19



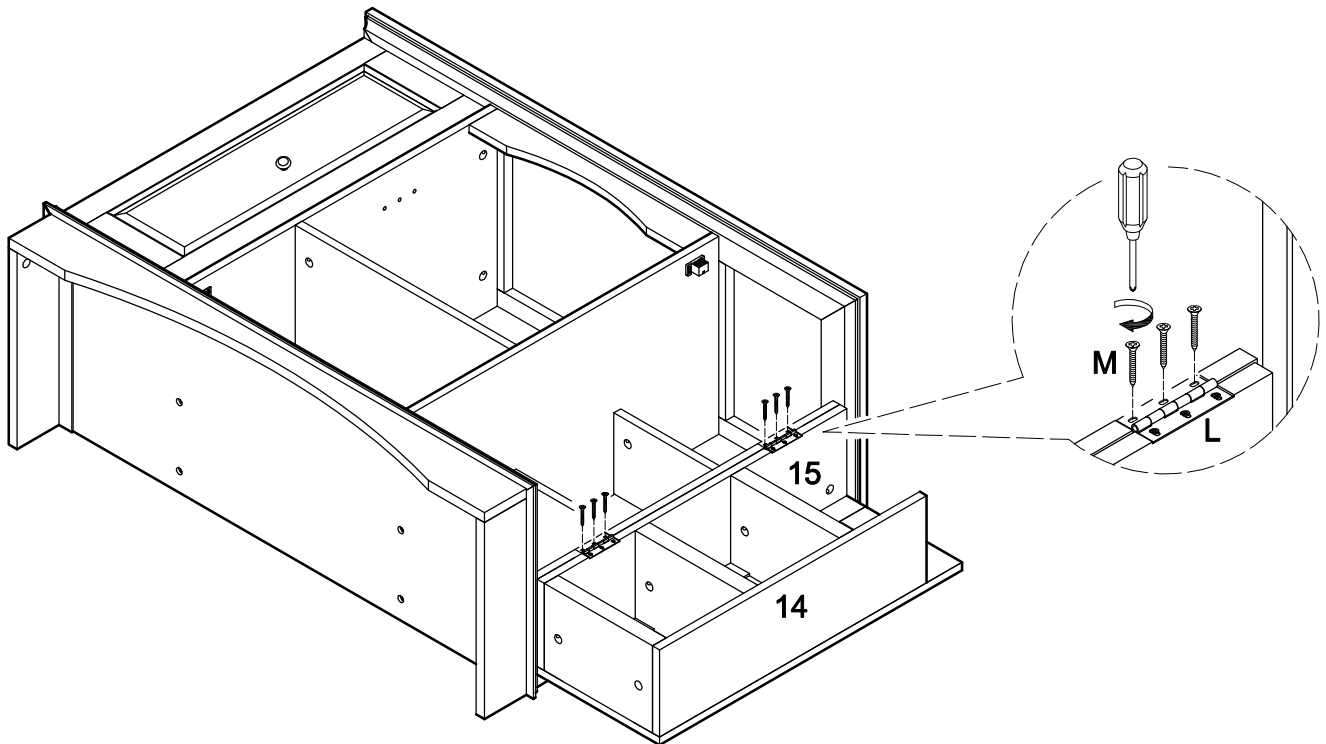
Attach hinges (L) to panels (15,16) using large screws (M).

## Step 20



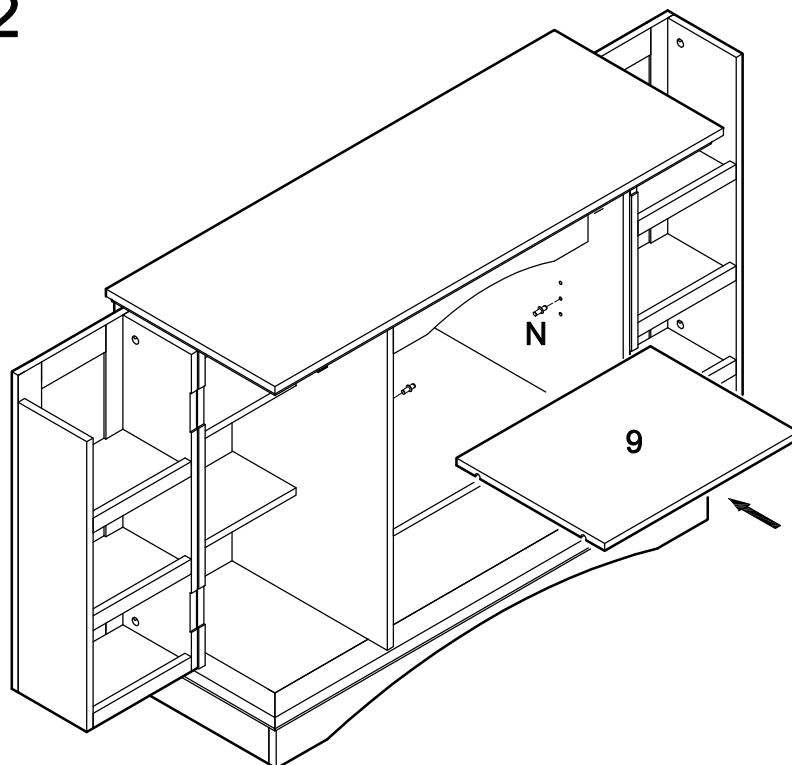
Attach the door (16,17) assembly to the stand assembly at hinges (L) using large screws (M).

## Step 21



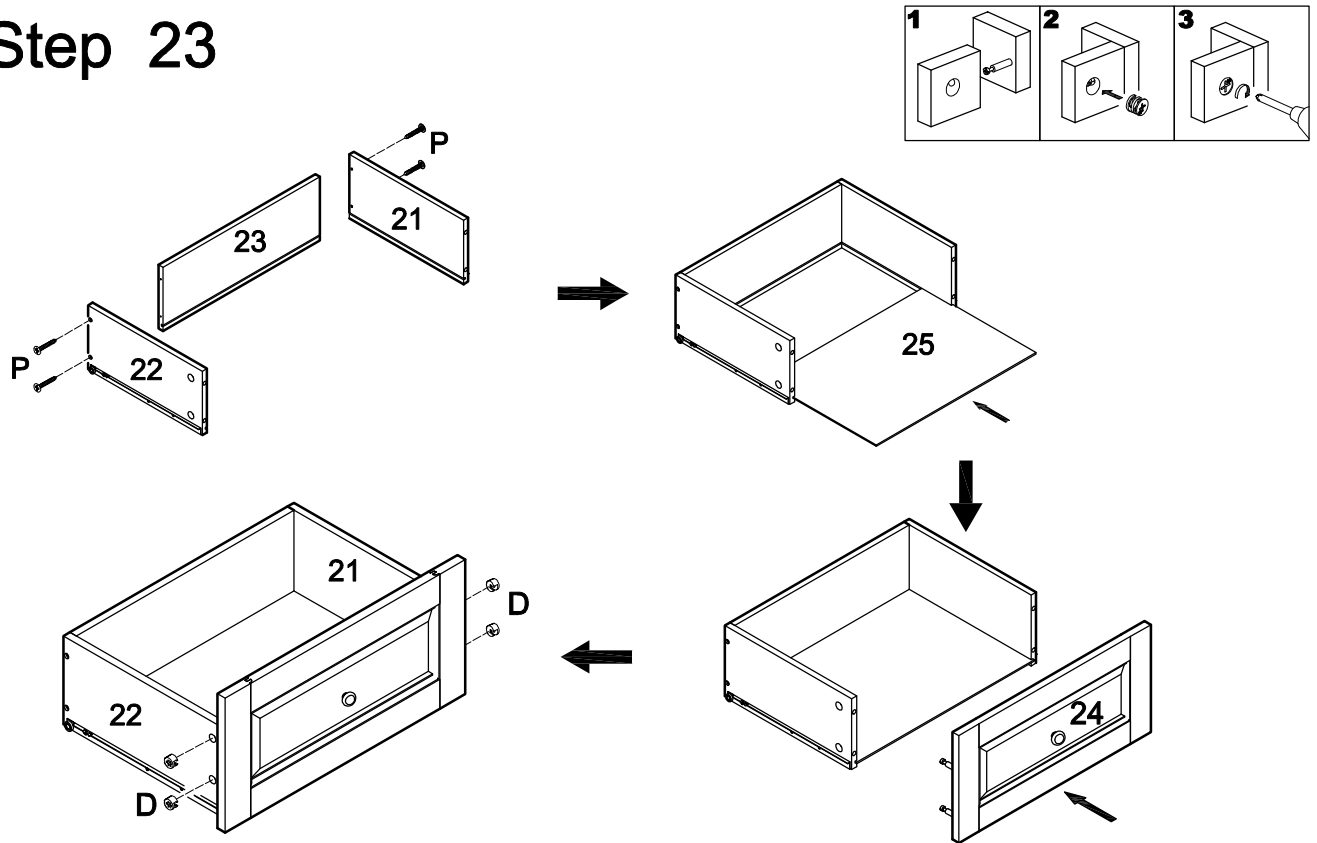
Attach the door (14,15) assembly to the stand assembly at hinges (L) using large screws (M).

## Step 22



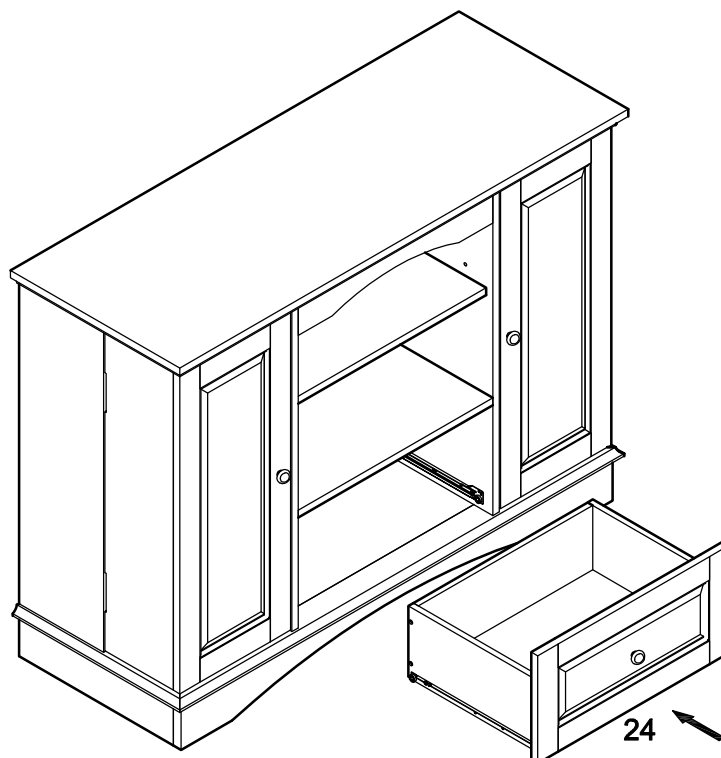
Insert shelf support pins (N) into the stand assembly at desired shelf height. Carefully place shelf (9) onto shelf support pins (N).

## Step 23



Attach drawer sides (21,22) to drawer back (23) using extra-large screws (P). Slide drawer bottom (25) into the drawer assembly. Attach drawer front (24) to the drawer assembly using cam bolts as guides. Insert small cam locks (D) into drawer sides (21,22) and tighten with a screwdriver.

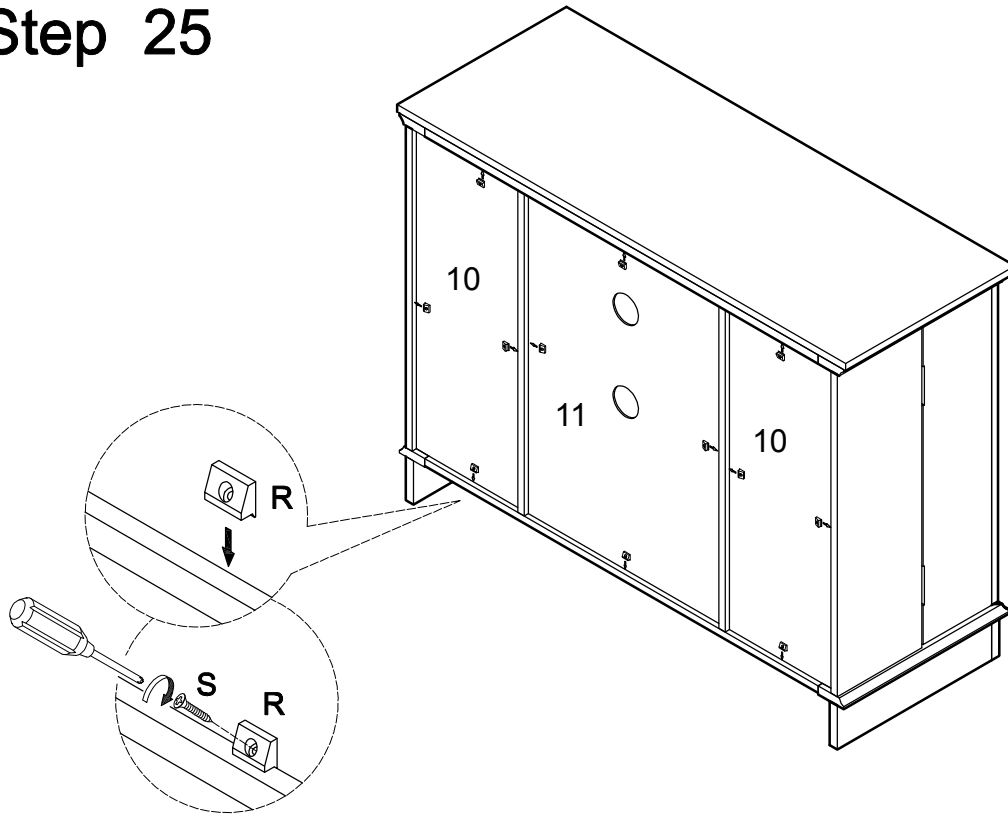
## Step 24



Carefully slide the drawer into the stand assembly.

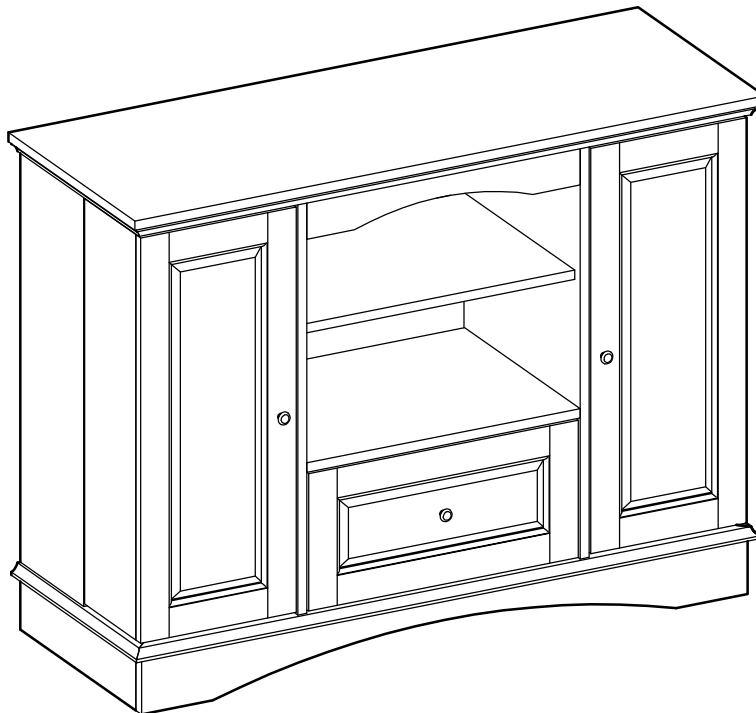


## Step 25



Secure back panels (10,11) using plastic wedges (R) and medium screws (S).

## Step 26



### Final Assembly

## Free Manuals Download Website

<http://myh66.com>

<http://usermanuals.us>

<http://www.somanuals.com>

<http://www.4manuals.cc>

<http://www.manual-lib.com>

<http://www.404manual.com>

<http://www.luxmanual.com>

<http://aubethermostatmanual.com>

Golf course search by state

<http://golfingnear.com>

Email search by domain

<http://emailbydomain.com>

Auto manuals search

<http://auto.somanuals.com>

TV manuals search

<http://tv.somanuals.com>