

*Sunbeam*

# Steam Pro Non-Stop

## Professional ironing system

Instruction Booklet  
SR8600

Please read these instructions carefully  
and retain for future reference.



# Contents

<b>Sunbeam's Safety Precautions</b>	<b>3</b>
<b>Features of your Steam Pro Non-Stop</b>	<b>4</b>
<b>Using your Professional Ironing System</b>	<b>6</b>
<b>Care and Cleaning</b>	<b>8</b>
<b>Ironing Guide</b>	<b>9</b>
<b>Ironing Chart</b>	<b>10</b>

## Important instructions – retain for future use.

تأكد من تفهم احتياطات السلامة المذكورة اعلاه

請務必理解上述的安全預防措施。

Assurez-vous que les précautions ci-dessus relatives à la sécurité sont bien comprises

Versichern Sie sich daß die obenstehenden Sicherheitsmaßnahmen Verstanden werden

Βεβαιώνετε πως οι παραπάνω προφυλάξεις ασφαλείας γίνονται κατανοητές

Pastikan bahwa tindakan-tindakan keselamatan seperti di atas dimengerti anda

Accertatevi che le suddette norme di sicurezza siano comprese a dovere

上記の注意事項をよくお読みになり、安全を御確認ください

Уверете се дека погоре споменатите мерки на претпазливост се добро разбрани

Asegúrese de que las precauciones de seguridad precedentes sean bien comprendidas

کاری بکنید کہ احتیاطهای بالا حتماً درک بشوند

ต้องแน่ใจว่า ข้อควรระวังเรื่องความปลอดภัยข้างต้น เป็นที่เข้าใจกันดี

Yukarda belirtilen güvenlik önlemlerinin anlaşılığundan emin olunuz

Xin kiểm chắc rằng những biện pháp làm an toàn kể trên được hiểu rõ

# Sunbeam's Safety Precautions

## SAFETY PRECAUTIONS FOR YOUR PROFESSIONAL IRONING SYSTEM

- Do not leave a hot iron within reach of children. If they come into contact with a hot iron it could lead to serious burns!
- Iron only on an ironing board.
- An iron takes approximately 30 minutes to cool down.
- Do not wind the cord around the soleplate.
- Do not leave the iron unattended while it is plugged into the power outlet.
- Always unplug the iron from the power outlet before filling or emptying the water tank.

---

**Sunbeam are very safety conscious when designing and manufacturing consumer products, but it is essential that the product user also exercise care when using an electrical appliance. Listed below are precautions which are essential for the safe use of an electrical appliance:**

- Read carefully and save all the instructions provided with an appliance.
- Always turn the power off at the power outlet before you insert or remove a plug. Remove by grasping the plug - do not pull on the cord.
- Turn the power off and remove the plug when the appliance is not in use and before cleaning.
- Do not use your appliance with an extension cord unless this cord has been checked and tested by a qualified technician or service person.
- Always use your appliance from a power outlet of the voltage (A.C. only) marked on the appliance.
- This appliance is not intended for use by young children or infirm persons unless they have been adequately supervised by a responsible adult to ensure that they can use the appliance safely.
- Never leave an appliance unattended while in use.
- Young children should be supervised to ensure that they do not play with the appliance.
- Do not use an appliance for any purpose other than its intended use.
- Do not place an appliance on or near a hot gas flame, electric element or on a heated oven. Do not place on top of any other appliance.
- Do not let the power cord of an appliance hang over the edge of a table or bench top or touch any hot surface.
- For safety reasons and to avoid maintenance by unskilled persons, some appliances are 'sealed' using tamperproof screws. Such appliances should always be returned to the nearest Sunbeam Appointed Service Centre for adjustment or repair if required.
- Do not operate any electrical appliance with a damaged cord or after the appliance has been damaged in any manner. If damage is suspected, return the appliance to the nearest Sunbeam Appointed Service Centre for examination, repair or adjustment.
- For additional protection, Sunbeam recommend the use of a residual current device (RCD) with a tripping current not exceeding 30mA in the electrical circuit supplying power to your appliances.
- Do not immerse the appliance in water or any other liquid unless recommended.

If you have any concerns regarding the performance and use of your appliance, please visit [www.sunbeam.com.au](http://www.sunbeam.com.au) or contact the Sunbeam Consumer Service Line. Ensure the above safety precautions are understood.

# Features of your Steam Pro Non-Stop

## **Thermostat light**

The thermostat light illuminates to indicate that the iron soleplate is heating, and goes out when it has reached the temperature selected on the temperature dial. The thermostat light cycles on and off during ironing as the iron soleplate maintains the selected temperature.

## **Refillable water tank cover**

The 600ml capacity tank can be refilled at any time for continuous steam ironing.

## **Iron rest**

Place the iron on the heat resistant iron rest during ironing.

## **Boiler on/off switch**

This switch controls the internal boiler. It illuminates to indicate that the boiler is switched on and heating.

## **Low water indicator**

The low water indicator illuminates to alert you when it is time to refill the water tank.

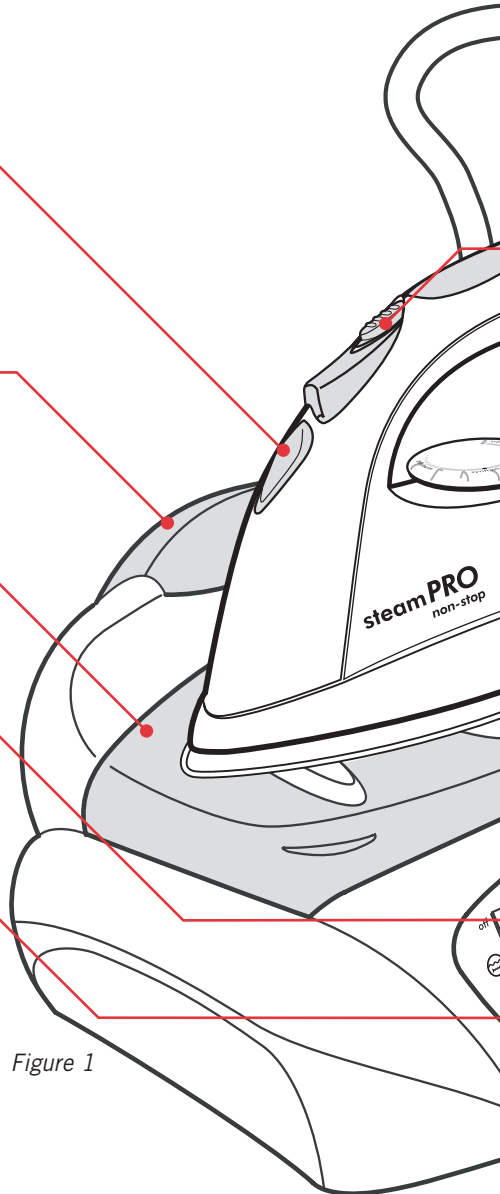
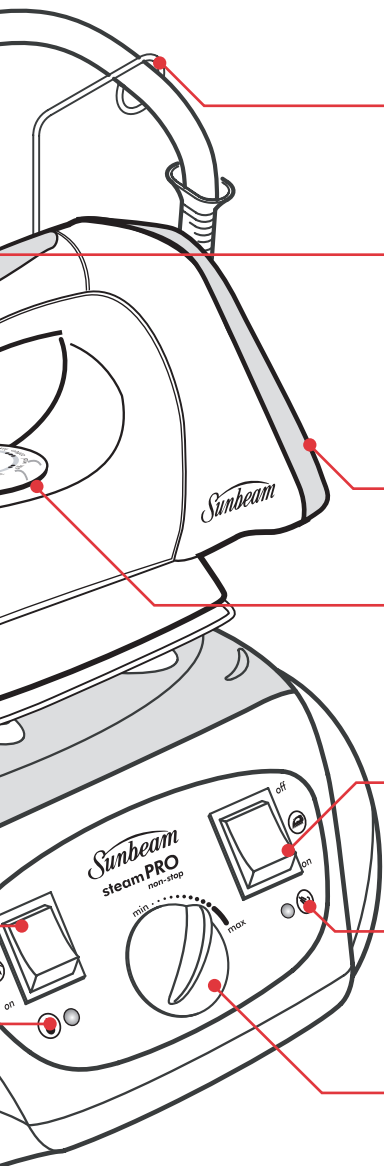


Figure 1

# Professional Ironing System



## **Cord minder**

Use the cord minder to keep the iron cord clear of the ironing surface, to prevent it creasing garments during ironing.

## **Lock-down steam button**

Press and hold the steam button to produce a constant flow of high-powered steam. When ironing for long periods, the steam button can be conveniently locked-down, eliminating the need to hold the button during ironing.

## **Stable heel rest**

Extra large heel rest keeps the iron stable on the ironing board.

## **Variable temperature dial**

The variable temperature dial adjusts the temperature of the iron soleplate, allowing you to select the desired temperature for each garment.

## **Iron on/off switch**

This switch controls the element in the iron soleplate. It illuminates to indicate that the iron is switched on.

## **Steam ready indicator**

The steam ready indicator illuminates to indicate that the steam function is ready to use.

## **Variable steam dial**

The adjustable steam dial allows you to select the desired steam output for each garment, from 0 to 60 grams per minute.

# Using your Professional Ironing System

## Before first use

Remove any adhesive stickers, plastic covers or cardboard sleeves from the soleplate. Remove any remaining adhesive by rubbing the soleplate with a cloth dampened with methylated spirits.

## Filling the tank with water

Before filling the tank with water, ensure that the power is turned off and the plug is removed from the power outlet. The tank can be filled with water while the iron is hot. Lift the water tank cover. Using a jug with a pouring spout, slowly pour water into the inlet. Close the cover.

**Note:** Sunbeam recommends the use of distilled or demineralised water. For best performance, we recommend the use of Sunbeam Water Demineraliser, available from Sunbeam Service Centres and selected retail outlets. This produces up to 30 litres of demineralised water to prolong the life of your iron.

**Caution:** Do not fill the water tank with fabric conditioners, starches, scented water, or any other solution, as these will damage the steam mechanism. Do not use contaminated water.

## Using your professional ironing system

1. Insert the plug into a 230/240V power outlet and turn the power on.
2. Place both the boiler and the iron switches in the on position. Both switches will illuminate. The steam ready indicator will turn on and off several times during the first minute.

**Note:** when turned on for the first time your new iron may give off vapours for up to 10 minutes. This is due to the initial heating of the materials used. It is safe, not detrimental to the performance of the iron and will not reoccur.

3. Turn the temperature dial on the iron to the desired setting. The thermostat light will illuminate to indicate that the iron is heating. It will go out once the iron has reached the selected temperature.  
**Note:** when changing the temperature dial from a higher setting to a lower setting, allow the iron to cool for at least 2 minutes before continuing ironing.
4. Rotate the variable steam dial on the base to select the desired steam level. When the green steam ready indicator light comes on and stays illuminated, you can commence ironing.

Before using steam on a garment, direct a shot of steam into the air to release any remaining condensation.

## Using your Professional Ironing System (continued)

5. Press and hold the steam button to iron with steam. When ironing for long periods, the steam button can be locked-down, eliminating the need to hold the button during ironing. Press and slide the steam button back towards the handle until it locks into place.

**Note:** The iron will continue to emit steam until the steam button is released.

When you have finished ironing, push the steam button forward and up until it releases from the lock-down position.

To dry iron, do not press the steam button. Both the steam ready indicator and the thermostat light will cycle on and off during ironing as the ironing system maintains the selected steam pressure and temperature levels.

**Note:** To prevent water dripping from the soleplate, only use the steam function on higher temperature settings (●● and above).

6. Once you have finished ironing, switch the iron and boiler off by moving both switches to the off position. Switch the power off at the power outlet and remove the plug. Wait for the iron to cool completely before storing. Do NOT empty the water tank.

### Refilling the tank during ironing

When the water in the tank falls below the minimum level, the red low water indicator will illuminate, and the iron will stop generating steam.

1. Before refilling the tank, switch the boiler and iron switches to the off position. Switch the power off at the power outlet and remove the plug.
2. Lift the water cover and fill the tank. Replace the cover.
3. Insert the plug into the power outlet and turn the power on.
4. Place the boiler and iron power switches in the on position, and allow the appliance to heat.
5. Resume ironing when the thermostat light goes out and the green steam ready indicator is illuminated.

# Care and Cleaning

To clean the exterior of your professional ironing system, wipe over with a damp soft cloth and wipe dry.

Do NOT use harsh abrasives, chemical cleaners or solvents to clean the exterior of your appliance, as these will damage the surface.

To clean the stainless steel soleplate, use a stainless steel or metal cleaner and rub gently with a damp cloth and wipe dry.

Do not use scouring pads, abrasives or harsh cleaners to clean your stainless steel soleplate as these will scratch and damage the surface.



# Ironing Guide

## **Selecting the ironing temperature**

Always read garment labels and follow the manufacturer's ironing instructions. Refer to the ironing chart for temperature recommendations.

## **Hints for easier ironing**

- Sort articles to be ironed according to the type of fabric. This will reduce the need to adjust the temperature to suit varying garments.
- Start with garments requiring lower temperatures and work your way through to items requiring higher temperatures.
- If you are unsure of the fabric content of a garment, test a small area such as a seam or inside hem section before ironing a visible area. Start with a low temperature and gradually increase the heat to find the best setting for ironing the garment.
- When reducing the temperature to iron sensitive fabrics, allow approximately 2 minutes for the iron to cool to the new setting.
- Pure woollen fabrics (100% wool) can be steam ironed with the temperature dial set to Wool. Use an ironing cloth to prevent shine marks on the fabric.
- Fabrics such as velour, wool, linen and silk are best ironed with an ironing cloth to prevent shine marks.
- Never iron areas of a garment where perspiration marks are visible, as the heat of the iron will fix the stains, making them permanent.

# Ironing Chart

<b>Fabric</b>	<b>Temperature Setting</b>	<b>Ironing Recommendation</b>
Acrylic	•	Dry iron on wrong side.
Acetate	•	Dry iron on wrong side while still damp or use spray to dampen.
Silk	••	Iron on wrong side. Use an ironing cloth to prevent shine marks.
Nylon	••	Iron on wrong side while still damp or use spray to dampen.
Polyester	••	Iron on wrong side while still damp or use spray to dampen.
Rayon	••	Iron on wrong side of fabric.
Viscose	••	Mainly dry iron. Steam can be used under manufacturer's instructions.
Wool	••	Steam iron on wrong side or use an ironing cloth.
Wool Blends	••	Steam iron on wrong side or use an ironing cloth.
Cotton Blends	••	Check label and follow manufacturer's instructions. Use setting for the fibre requiring the lowest setting.
Corduroy	•••	Steam iron on wrong side or use an ironing cloth and brush to raise the pile.
Cotton	•••	Dry iron while still damp or use spray to dampen. Use steam medium to high.
Linen	••• To MAX	Iron on wrong side or use an ironing cloth to prevent shine marks, especially with dark colours. Dry iron while still damp or use spray to dampen. Use steam medium to high.
Denim	••• To MAX	Use maximum steam.

'Sunbeam' and 'Steam Pro' are registered trademarks of Sunbeam Corporation.  
Designed in Italy. Made in China to Sunbeam's specification. Due to minor changes in design or otherwise, the product may differ from the one shown in this leaflet.  
Backed by Sunbeam's 2 Year Replacement Guarantee and National Service Network.

**© Copyright. SUNBEAM CORPORATION LIMITED 2005.**

A.B.N. 45 000 006 771

Sunbeam Corporation is a division of GUD Holdings Ltd.

For more information or advice on this or any other Sunbeam appliance, visit [www.sunbeam.com.au](http://www.sunbeam.com.au) or contact the Sunbeam Consumer Service Line.

**Australia 1800 025 059**

**New Zealand 0800 786 232**



## Consumer Hotline


Australia

1800 025 059

New Zealand

0800 786 232

[www.sunbeam.com.au](http://www.sunbeam.com.au)

 is a registered Trademark of Sunbeam Corporation Limited. ABN 45 000 006 771.

© Sunbeam Corporation Limited 2005.

Download from [Www.Somanuals.com](http://Www.Somanuals.com). All Manuals Search And Download.

## Free Manuals Download Website

<http://myh66.com>

<http://usermanuals.us>

<http://www.somanuals.com>

<http://www.4manuals.cc>

<http://www.manual-lib.com>

<http://www.404manual.com>

<http://www.luxmanual.com>

<http://aubethermostatmanual.com>

Golf course search by state

<http://golfingnear.com>

Email search by domain

<http://emailbydomain.com>

Auto manuals search

<http://auto.somanuals.com>

TV manuals search

<http://tv.somanuals.com>