

# Sunbeam®

## AM/FM CLOCK RADIO

Model: 89019

### OPERATING INSTRUCTIONS



The lightning flash and arrowhead within the triangle is a warning sign alerting you of "dangerous voltage" inside the product.

#### CAUTION

**RISK OF ELECTRIC SHOCK  
DO NOT OPEN**

CAUTION : TO REDUCE THE RISK OF ELECTRIC SHOCK, DO NOT REMOVE COVER (ON BACK). NO USER-SERVICEABLE PARTS INSIDE. REFER SERVICING TO QUALIFIED SERVICE PERSONNEL.



The exclamation point within the triangle is a warning sign alerting you of important instructions accompanying the product.

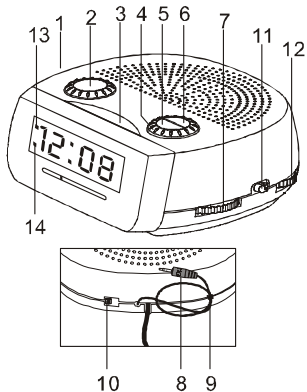
**WARNING: TO REDUCE THE RISK OF FIRE OR ELECTRIC SHOCK, DO NOT EXPOSE THIS APPLIANCE TO RAIN OR MOISTURE.**

**CAUTION: TO PREVENT ELECTRIC SHOCK DO NOT USE THIS (POLARIZED) PLUG WITH AN EXTENSION CORD, RECEPTACLE, OR OTHER OUTLET UNLESS THE BLADES CAN BE FULLY INSERTED TO PREVENT BLADE EXPOSURE.**

Please read this before operating your unit.

Download from [Www.Somanuals.com](http://www.Somanuals.com). All Manuals Search And Download.

1. On/Off/Auto
2. Sleep
3. Snooze Button
4. Clock/Set Time/Set Alarm switch
5. Minute set button
6. Hour set button
7. Tuning Control
8. Mp3 Input, Wire and Plug
9. Mp3 Wire Retaining Clip
10. Mp3 / Radio Switch
11. AM/FM Band Switch
12. Volume Control and Buzzer switch
13. PM Indicator
14. Alarm ON indicator



**BOTTOM OF SET:** Battery compartment for 9 volt battery (not included) for temporary timekeeping in event of power failure.

### ANTENNA

For AM reception, this radio incorporates a built-in highly sensitive ferrite core bar antenna.

For FM reception, this set is specially equipped with an FM antenna built into the power line cord.

Be sure to untwist it to its fullest length for peak performance.

### ELECTRONIC CLOCK OPERATION

1. Plug the AC line cord into 110/120V AC home outlet.
2. Put ON/OFF/AUTO switch (1) into the OFF position. The clock display will flash to show you it is not set correctly.
3. To set the correct time, turn the dial (4) to "Set Time" position, then depress the Hour Button (6), release the button when the correct hour is reached. Now depress the Minute Button (5) to set the display to the correct minute. The PM indicator (13) will be lighted when the clock is reading PM. Be sure PM is on if current time is PM.
4. When the correct time is set, turn the dial (4) to "Clock" position. Time cannot be changed when switch is in this position.

### RADIO OPERATION

1. Slide the ON/OFF/AUTO Switch (1) to 'ON' position.
2. Slide the RADIO/MP3 switch (10) to RADIO position.
3. Slide Band Switch (11) to FM or AM position.
4. Turn the Volume Control (12) to desired volume.
5. Turn the Tuning Control (7) to select your favorite station.

## **WAKE TO RADIO**

Having selected your station and set the volume at the desired level, proceed as follows:

1. Slide the ON/OFF/AUTO Switch (1) to 'AUTO' position.
2. Turn the switch (4) to "Set Alarm" position, and then press the Hour Button (6) until the hour is reached at which you wish to wake. Then press Minute Button (5) to set alarm minute. After setting the alarm time, turn the dial (4) back to "clock" position. The wake up time is now entered into the timer memory. To check the wake up time, simply turn the dial (4) to "Set Alarm" position, and the clock will show the time the alarm is set for. The wake up time will remain in the timer memory and the radio will switch on by itself at the same time the next day. To switch the radio off, simply slide the On/Off/Auto(1) Switch to 'Off' position. Please note that the Alarm On indicator (14) is illuminated when alarm is set to operate.

## **WAKE TO BUZZER**

Set the controls as for 'Wake to Radio' but turn the Volume Control (12) back until it clicks into BUZZER position. The buzzer can be turned OFF or sound switched to the radio by selecting switch (1) to OFF or ON position.

## **SLEEP TO MUSIC**

The radio can be set to play and to switch off automatically for a length of time from 1 minute to 1 hour 59 minutes by following this procedure. With tuning and volume controls set, Place ON/OFF/AUTO switch (1) in the AUTO Position. Then depress the Sleep Button (2) and press the Minute Button (5) to count down to the desired sleep time. To switch off the radio before the end of the registered sleep time period, simply press the Snooze Button (3).

## **SNOOZE CONTROL**

Pushing down on the Snooze Button (3) turns the alarm sound off and allows the user extra sleep time of about 9 minutes. This can be repeated as often as you like for up to 2 hours. Turn ON/OFF/AUTO switch (1) to OFF to stop Snooze function.

## **BATTERY BACK-UP**

Connect a 9 volt battery (not included) to the terminals inside the battery compartment on bottom of clock radio. It is recommended that the set be disconnected from the 110/120V power source while the battery is fitted. The clock display will not light up, but the clock time will be held in the clock memory by the battery back-up system. This enables you to move the set from place to place without re-setting the clock every time. The battery back-up system is only meant to be used from short temporary power failures. For longer durations the battery may become exhausted or there may be some deviation in accuracy, due to the battery being exhausted. It should be removed from the set to prevent leakage. If you do not wish to take advantage of the battery back-up system, your set will work normally without a battery. However, if disconnected from the 110/120V source, the clock display will flash when the power is re-connected and you must re-set the clock as described in the Electronic Clock Operation paragraph.

### **MP3 WIRE AND PLUG**

- To play a MP3 player through this clock radio, a wire with plug (8) has been provided for connecting.
- Set the MP3 player next to the clock radio and insert the plug into the headphone jack of the MP3 player. Move RADIO/MP3 switch (10) to MP3 position. Move ON/OFF/AUTO switch (1) to the ON position.
- To disconnect, remove plug from headphone jack and slide RADIO/ MP3 switch to RADIO position. Be sure to push wire into clip (9) to keep it from being damaged.

### **GENERAL CARE**

The cabinet can be cleaned with a slightly damp cloth (make sure power line is disconnected).

Avoid leaving the clock radio in direct sunlight or in hot, humid, dusty places. Keep the set away from heating appliances and appliances that generate noise, such as fluorescent lamps, or motors.

### **SPECIFICATIONS**

Power Source	: 120V ~ 60Hz, 5w
DC Back Up	: 9V (1x9V 6F22 NOT INCLUDED)
Radio Frequency	: AM 530-1700 kHz
	: FM 88-108 MHz

## **1-Year Limited Hospitality Warranty**

Sunbeam Products, Inc. d/b/a Jarden Consumer Solutions in US and Sunbeam Corporation (Canada) Limited doing business as Jarden Consumer Solutions in Canada warrants that for a period of 1 year from the date of purchase, this product will be free from defects in material and workmanship. Sunbeam, at its option, will repair or replace this product or any component of the product found to be defective during the warranty period. Replacement will be made with a new or remanufactured product or component. If the product is no longer available, replacement may be made with a similar product of equal or greater value. This is your exclusive warranty.

This warranty is valid for the original purchaser from the date of initial purchase and is not transferable. Sunbeam dealers, service centers, or stores selling Sunbeam products do not have the right to alter, modify or any way change the terms and conditions of this warranty.

This warranty does not cover normal wear of parts or damage resulting from any of the following: negligent use or misuse of the product, use on improper voltage or current, use contrary to the operating instructions, disassembly, repair or alteration by anyone other than Sunbeam or an authorized service center. Further, the warranty does not cover Acts of God, such as fire, flood, hurricanes and tornadoes.

Sunbeam shall not be liable for any incidental or consequential damages caused by the breach of any express, implied or statutory warranty or condition. Except to the extent prohibited by applicable law, any implied warranty of merchantability or fitness for a particular purpose is limited in duration to the duration of the above warranty. Sunbeam disclaims all other warranties or conditions, express, implied statutory or otherwise. Some states, provinces or jurisdictions do not allow the exclusion or limitation of incidental or consequential damages or limitations on how long an implied warranty lasts, so the above limitations or exclusion may not apply to you. This warranty gives you specific legal rights, and you may also have other rights that vary from state to state or province to province.

This warranty is only applicable to products purchased by members of the hospitality industry and not to consumer sales.

### **How to Obtain Warranty Service**

Contact your Sunbeam authorized dealer.

# IMPORTANT SAFETY INSTRUCTIONS

1. **READ INSTRUCTIONS** - All the safety and operating instructions should be read before the product is operated.
2. **RETAIN INSTRUCTIONS** - The safety and operating instructions should be retained for future reference.
3. **HEED WARNINGS** - All warnings on the product and in the operating instructions should be adhered to.
4. **FOLLOW INSTRUCTIONS** - All operating and use instructions should be followed.
5. **CLEANING** - Unplug this product from the wall outlet before cleaning, Do not use liquid cleaners or aerosol cleaners. Use a damp cloth for cleaning.
6. **ATTACHMENTS** - Do not use attachments not recommended by the product manufacturer as they may cause hazards.
7. **WATER AND MOISTURE** - Do not use this product near water - for example, near a bath tub, wash bowl, kitchen sink, or laundry tub; in a wet basement, or near a swimming pool, and the like.
8. **ACCESSORIES** - Do not place this product on an unstable cart, stand tripod, bracket, or table. The product may fall, causing serious injury to a child or adult, and serious damage to the product. Use only with a cart, stand, tripod, bracket, or table recommended by the manufacturer, or sold with the product. Any mounting of the product should follow the manufacturer's instructions, and should use a mounting accessory recommended by the manufacturer.
9. A product and cart combination should be moved with care. Quick stops, excessive force, and uneven surfaces may cause the appliance and cart combination to overturn.



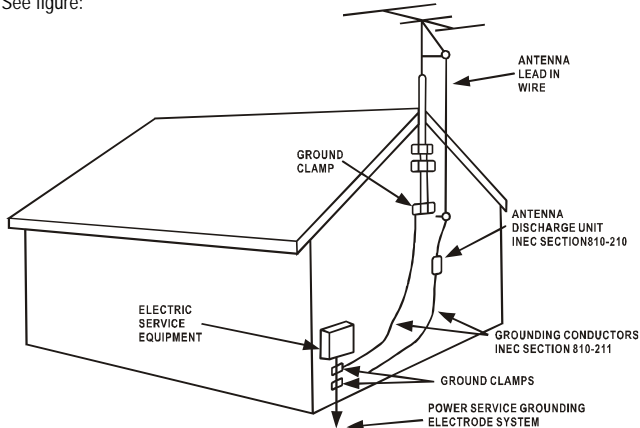
10. **VENTILATION** - Slots and openings in the cabinet are provided for ventilation and to ensure reliable operation of the product and to protect it from overheating, and these openings must not be blocked or covered. The openings should never be blocked by placing the product on a bed, sofa, rug, or other similar surface. This product should not be placed in a built-in installation such as a bookcase or rack unless proper ventilation is provided or the manufacturer's instructions have been adhered to.
11. **POWER SOURCES** - This product should be operated only from the type of power source indicated on the marking label. If you are not sure of the type of power supply to your home, consult your product dealer or local power company. For products intended to operate from battery power, or other sources, refer to operating instruction.

12. **GROUNDING OR POLARIZATION** - This product may be equipped with a polarized alternating current line plug (a plug having one blade wider than the other). This plug will fit into the power outlet only one way. This is a safety feature. If you are unable to insert the plug fully into the outlet, try reversing the plug. If the plug should still fail to fit, contact your electrician to replace your obsolete outlet. Do not defeat the safety purpose of the polarized plug.

**ALTERNATE WARNINGS** - This product is equipped with a three-wire grounding-type plug, a plug having a third (grounding) pin. This plug will only fit into a grounding-type power outlet. This is a safety feature. If you are unable to insert the plug into the outlet, contact your electrician to replace your obsolete outlet, Do not defeat the safety purpose of the grounding-type plug.

13. **POWER - CORD PROTECTION** - Power supply cords should be routed so that they are not likely to be walked on or pinched by items placed upon or against them, paying particular attention to cords at plugs, convenience receptacles, and point where they exit from the product.
14. **PROTECTIVE ATTACHMENT PLUG** - The product is equipped with an attachment plug having overload protection. This is a safety feature. See Instruction Manual for replacement or resetting of protective device. If replacement of the plug is required, be sure the service technician has used a replacement plug specified by the manufacturer that has the same overload protection as the original plug.
15. **OUTDOOR ANTENNA GROUNDING** - If an outside antenna is connected to the receiver, be sure the antenna system is grounded so as to provide some protection against voltage surges and built-up static charges. Article 810 of the National Electrical Code, ANSI/NFPA 70, provides information with regard to proper grounding of the mast and supporting structure, grounding of the lead-in wire to an antenna-discharge unit, size of grounding conductors, location of antenna-discharge unit, connection to grounding electrodes, and requirements for the grounding electrode.

See figure:



16. **LIGHTNING** - For added protection for this product during a lightning storm, or when it is left unattended and unused for long periods of time, unplug it from the wall outlet and disconnect the antenna or cable system. This will prevent damage to the product due to lightning and power-line surges.
17. **POWER LINES** - An outside antenna system should not be located in the vicinity of overhead power lines or other electric light or power circuits, or where it can fall into such power lines or circuits. When installing an outside antenna system, extreme care should be taken to keep from touching such power lines or circuits as contact with them might be fatal.
18. **OVERLOADING** - Do not overload wall outlets, extension cords, or integral convenience receptacles as this can result in a risk of fire or electric shock.
19. **OBJECT AND LIQUID ENTRY** - Never push objects of any kind into this product through openings as they may touch dangerous voltage points or short-out parts that could result in a fire or electric shock. Never spill liquid of any kind on the product.
20. **SERVICING** - Do not attempt to service this product yourself as opening or removing covers may expose you to dangerous voltage or other hazards. Refer all servicing to qualified service personnel.
21. **DAMAGE REQUIRING SERVICE** - Unplug this product from the wall outlet and refer servicing to qualified service personnel under the following conditions:
  - a) When the power-supply cord or plug is damaged.
  - b) If liquid has been spilled, or objects have fallen into the product.
  - c) If the product has been exposed to rain or water.
  - d) If the product does not operate normally by following the operating instructions, adjust only those controls that are covered by the operating instructions as an improper adjustment of other controls may result in damage and will often require extensive work by a qualified technician to restore the product to its normal operation.
  - e) If the product has been dropped or damaged in any way, and.
  - f) When the product exhibits a distinct change in performance - this indicates a need for service.
22. **REPLACEMENT PARTS** - When replacement parts are required, be sure the service technician has used replacement parts specified by the manufacturer or have the same characteristics as the original part. Unauthorized substitutions may result in fire, electric shock, or other hazards.
23. **SAFETY CHECK** - Upon completion of any service or repairs to this product, ask the service technician to perform safety checks to determine that the product is in proper operating condition.
24. **WALL OR CEILING MOUNTING** - The product should be mounted to a wall or ceiling only as recommended by the manufacturer.
25. **HEAT** - The product should be situated away from heat sources such as radiators, heat registers, stoves, or other products (including amplifiers) that produce heat.

**Warning:** Changes or modifications to this unit not expressly approved by the party responsible for compliance could void the users' authority to operate the equipment.



# Sunbeam®

## AM/FM Digital Clock radio Avec lumière de nuit

Modèle : 89019

### MODE D'EMPLOI



Le triangle avec la foudre est un symbole de danger en raison du haut voltage dans l'appareil.

#### **ATTENTION**

**risque de choc électrique  
Ne pas ouvrir**

**ATTENTION** : Afin de réduire le risque de choc électrique n'enlève pas le couvercle (du derrière). Renseignez vous auprès de notre service d'entretien ou auprès des professionnels autorisés.



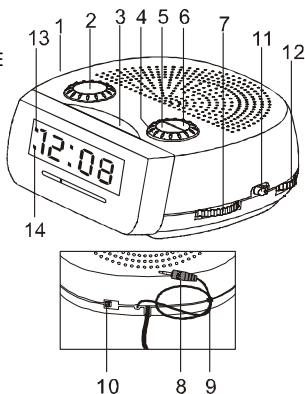
Le symbole d'exclamation dans le triangle vous indique qu'il faut lire la notice jointe au produit.

**NOTE** : Afin de réduire le risque d'incendie ou de choc électrique, ne mettez pas cet appareil en contact avec la pluie ou l'humidité.

**Attention** : pour prévenir des décharges électriques n'utilisez pas cette prise polarisée avec une rallonge ou une autre prise qui ne permette pas rentrer complètement les pattes.

Avant de l'utilisation lisez les instructions du mode d'emploi.

1. ON/OFF.AUTO
2. SLEEP (dormir)
3. SNOOZE
4. Bouton pour régler L'HEURE / L'ALARME ET L'HORLOGE.
5. Bouton pour régler les minutes
6. Bouton pour régler les heures
7. TUNING CONTROL  
(Contrôle de syntonisation de la radio)
8. Mp3 Input, Wire and Plug
9. Mp3 Wire retaining clip
10. Radio/Mp3 switch
11. AM/FM BAND SWITCH  
(contrôle de bande de radio AM / FM)
12. VOLUME / BUZZER CONTROL  
(Contrôle du volume / buzzer)
13. Indicateur de PM
14. Indicateur d'alarme



### BASE DE L'APPAREIL

Couvercle pour une batterie de 9 volt (non incluse) pour préserver de manière temporaire l'heure, dans le cas d'une coupure d'énergie.

### ANTENNE

Pour la réception de la bande AM cet appareil comporte une antenne interne de grande sensibilité.

Pour la réception de la bande FM ce poste compte avec une antenne FM à l'intérieur du cordon électrique. Pour une meilleure réception assurez vous de le déplier complètement.

### Fonctionnement de l'horloge électronique

1. Branchez le cordon AC sur une prise de 110/120
2. Placez le bouton ON/OFF/AUTO (1) sur la position OFF. L'écran de l'horloge va clignoter pour vous indiquer qu'il n'est pas correctement réglé.
3. Pour régler l'heure correcte placez le sélecteur (4) à la position « Set Time » après appuyez sur le bouton heure (6) pour programmer la bonne heure puis libérez-le. Ensuite appuyez sur le bouton minutes (5) pour régler les minutes. L'indicateur PM (13) va s'allumer si l'horloge est en période PM. Assurez-vous que l'heure affichée corresponde à la période PM si cet indicateur est allumé.
4. Après avoir réglé l'heure correctement, changez le sélecteur à la position « clock ». l'heure ne pourra pas être changée si le sélecteur est à cette position.

### COMMENT FAIRE FONCTIONNER LA RADIO

1. Mettez le bouton ON/OFF/AUTO (1) sur la position « ON ».
2. Glissez le Bouton RADIO/MP3 (10) à la position RADIO
3. Choisissez la bande de votre préférence en mettant le bouton BAND SWITCH (11) sur la position de votre choix.

4. Mettez le bouton VOLUME CONTROL (12) au niveau de volume souhaité.
5. Faites tourner le bouton TUNING CONTROL (12) afin de trouver la station préférée.

### **POUR VOUS REVEILLEZ AVEC LA RADIO**

Après avoir choisi votre station de radio et le niveau de volume, suivez ces étapes :

1. Placez le bouton ON/OFF/AUTO (1) à la position AUTO.
2. Placez le bouton (4) à la position « set alarm » et appuyez sur le bouton heure (6) pour programmer l'heure à laquelle vous voulez être réveillé. Appuyez ensuite sur le bouton minute (5) pour programmer les minutes. Après avoir programmé l'alarme mettez à nouveau le sélecteur (4) à la position « horloge ». Alors l'heure de l'alarme est déjà dans la mémoire. Pour vérifier l'heure de l'alarme il vous suffit de placer le sélecteur (4) à la position « set alarm » et l'horloge va vous montrer l'heure choisie. L'heure de l'alarme va rester dans la mémoire de l'horloge et la radio va se mettre en marche pour soi même à cette heure le lendemain. Pour éteindre la radio vous pouvez déplacer le bouton ON/OFF/AUTO (1) à la position « off ». S'il vous plaît vérifiez que le voyant de l'alarme (14) est allumé quand l'alarme a été programmée.

### **POUR VOUS REVEILLER AVEC LE BUZZER**

Réglez les contrôles selon la rubrique « pour vous réveiller avec la radio » mais déplacez le contrôle de volume (12) jusqu'à ce qu'on écoute le click du retour à la position BUZZER. Le BUZZER peut s'arrêter ou le son peut se changer par la radio si vous déplacez le bouton (1) à la position OFF ou ON.

### **VOUS EN DORMIR EN ECOUTANT DE LA MUSIQUE**

La radio peut être programmée pour s'éteindre automatiquement après une période qui peut aller de 1 minute à 1 heure 59 minutes si vous suivez les pas suivants : En réglant le sélecteur de station et celui du volume déplacez le bouton ON/OFF/AUTO (1) à la position AUTO. Après appuyez le bouton SLEEP (2) et le bouton Minute (5) pour programmer le temps désiré. Pour arrêter la radio avant du temps programmé il faut simplement appuyer sur le bouton Snooze (3).

### **CONTROLE DU SNOOZE**

Il vous suffit de déplacer le bouton SNOOZE (3) pour arrêter l'alarme et vous permettre d'avoir encore 9 minutes pour dormir. Cette période peut se répéter tout le temps dont vous aurez besoin jusqu'à un maximum de deux heures. Pour arrêter la fonction du BUZZER déplacez le bouton ON/OFF/AUTO (1) à la position OFF.

### **BATTERIE DE RECUPERATION**

Placez une batterie de 9 volt (non incluse) dans le couvercle correspondant en bas du radio horloge. Il est conseillé de débrancher l'appareil du secteur 110/120V quand vous mettez la batterie. L'écran ne va pas s'allumer mais l'heure de l'horloge va se garder dans la mémoire de l'horloge grâce au système de récupération à batterie. De cette manière vous pourrez déplacer l'horloge d'un lieu à l'autre sans avoir besoin de régler l'heure à chaque fois. Le système de récupération à batterie a été pensé pour des périodes courtes de manque d'énergie. Quand il s'agit de coupures longues d'énergie la batterie peut s'épuiser et produire des variations dans l'heure.

On vous conseille d'enlever la batterie pour éviter des fuites. Si vous ne voulez pas vous servir du système de récupération à batterie votre poste va fonctionner normalement sans la batterie. Cependant s'il est débranché sur le secteur 110/120V l'écran va clignoter quand l'énergie est restaurée et vous devrez programmer à nouveau l'heure selon la rubrique Fonctionnement de l'horloge électronique.

### **FIL ET PRISE MP3**

- Pour lire un MP3 dans ce radio – horloge vous disposez d'un fil avec une prise (15) pour les relier. Mettez le lecteur MP3 près du radio - horloge et insérez la prise dans la connexion des écouteurs du lecteur MP3.
- Déplacez le bouton radio/MP3 (16) à la position MP3. Mettez le bouton ON/OFF/AUTO (10) à la position ON.
- Pour délier enlevez la prise de la connexion des écouteurs et déplacez le bouton RADIO/MP3 à la position RADIO. Assurez vous de placer le fil dans le trombone pour le garder et ainsi éviter de l'endommager.

### **ENTRETIEN GÉNÉRAL**

L'extérieur peut se nettoyer avec un chiffon légèrement humidifié (assurez-vous de débrancher l'appareil)

Évitez la lumière directe du soleil ainsi que des sources de chaleur et d'humidité ou poussière. Placez l'appareil loin d'autres appareils produisant du bruit comme des lampes fluorescentes ou des moteurs.

### **CARACTERISTIQUES**

Source d'énergie: 120V-60Hz, 5w

DC de récupération : 9V (1x9V 6F22 non incluse)

Fréquence de la radio : AM 530-1700KHZ / FM 88-108 MHZ

## **GARANTIE LIMITÉ PENDANT 1 AN**

Sunbeam Products, Inc. faire les affaires comme Jarden Consumer Solutions dans US et Sunbeam Corporation (Canada) Limited faire les affaires comme Jarden Consumer Solutions dans Canada offre à ses clients une garantie pendant 1 an à partir de la date d'achat. Elle garantit que ce produit n'aura pas de défauts, soit à cause de matériaux ou à la main d'oeuvre utilisé. Sunbeam s'engage à réparer ou remplacer l'appareil ou une composant quelconque qui ne fonctionne pas, toujours dans la période couverte par la garantie. Le remplacement sera fait avec un produit nouveau ou une partie nouvelle. Si le produit n'est plus disponible, le remplacement sera fait avec un autre produit de caractéristiques de qualité similaires ou supérieures, cela dépendra du choix du fabricant. C'est votre garantie exclusive.

Les distributeurs, intermédiaires, centres de service ou n'importe quelle autre magasin qui vend ou offre le service d'entretien des produits Sunbeam, n'ont pas le droit de altérer, modifier ou changer d'une manière quelconque les termes de cette garantie.

Cette garantie ne couvre pas l'usure des parties ou les dommages, dont l'origine est une mauvaise utilisation du produit, le branchement sur la courant ou le voltage différent de celui qui est indiqué, l'utilisation différente de celle qui est indiquée dans les instructions d'opération, le démontage, les réparations ou altérations faites par des personnes non autorisées par Sunbeam ou un de ses centres de services. La garantie ne couvre non plus des situations fortuites, telles qu'incendies, inondations, ouragans et tornades.

Sunbeam ne sera pas responsable par les dommages resultants d'incidents, ou à la suite des violations des garanties expresses ou implicites. Au moins qu'il soit déterminé par les lois en vigueur, toute garantie commerciale implicite et applicable aura une durée qui sera limitée par la garantie décrite ci-dessus. Certains états, provinces et même juridictions ne permettent pas l'exclusion ou limitation, à l'égard de la durée de la garantie, des dommages ou limitants qui resultent d'incidents ou à la suite de violations de ces garanties. C'est pourquoi les limitations ou exclusions décrites ci dessus peuvent ne pas être applicables dans votre cas. Cette garantie vous offre des droits légaux spécifiques, en plus d'autres droits qui varient selon l'état.

### **Comment obtenir le service de garantie**

Mettez – vous en contacte avec le distributeur Sunbeam.

# Informations importantes concernant votre sécurité

- 1. Lisez les instructions:** toutes les instructions concernant les mesures de sécurité doivent être lues avant d'utiliser l'appareil.
- 2. Conservez la notice:** Vous devez conserver la notice pour avoir les mesures de sécurité comme une référence au futur.
- 3. Attention:** Prenez en compte toutes les informations concernant ce produit et son utilisation.
- 4. Mode d'emploi:** toutes les instructions d'utilisation et d'opération doivent être respectées.
- 5. Nettoyage:** Débranchez la prise avant de nettoyer l'appareil. N'utilisez ni de produits liquides ni d'aérosol, utilisez un chiffon pour nettoyer la poussière.
- 6. Accessoires –** N'utilisez pas d'accessoires non recommandés par le fabricant de l'appareil qui pourraient causer des dégâts.
- 7. Eau et humidité:** n'utilisez pas ce produit près de lieux avec de l'eau comme une baignoire, un seau d'eau, un évier, des piscines, du sol mouillé ou d'autres lieux avec des caractéristiques similaires.
- 8. Accessoires:** Ne mettez pas cet appareil sur un trépied, étagère ou table non conseillée par le fabricant. L'appareil peut tomber par terre et blesser gravement à des enfants ou des adultes en plus des dégâts de l'appareil. Mettez -le seulement sur des trépieds, des tables et des étagères conseillées par le fabricant ou sur ceux qui sont vendus avec ce produit. Pour le montage de ce produit vous devez suivre les instructions du fabricant et vous devez utiliser seulement les accessoires de montage conseillés par le fabricant.
- 9. Déplacez avec soin les combinaisons appareil et chariot.** Des arrêts brutaux, une force excessive ou des surfaces inégales peuvent causer le renversement de l'ensemble de chariot et appareil



- 10. Ventilation:** cet appareil doit être utilisé dans des lieux avec une bonne ventilation afin d'éviter le surchauffe. Les ouvertures des lits, des canapés ou d'autres meubles de ce type doivent être bloquées si l'appareil se trouve près d'eux. Il n'est pas conseillé d'installer cet appareil dans une bibliothèque ou sur une étagère, sauf si ceux-ci ont une bonne ventilation et sont bien installés selon recommandation du fabricant inclus
- 11. Sources d'énergie:** cet appareil doit être branché exclusivement sur le type de source d'énergie indiqué dans la notice. Si vous n'êtes pas certain du type d'approvisionnement en courant, consultez votre marchand d'appareil ou votre compagnie locale d'électricité. Pour les produits conçus pour être utilisés à partir d'une source de pile ou autres sources, référez-vous aux instructions de fonctionnement
- 12. Installation à terre et polarisation :** cet appareil compte avec une prise polarisée (une fiche ayant une lame plus large que l'autre). Cette prise doit entrer dans une prise de courant polarisée.

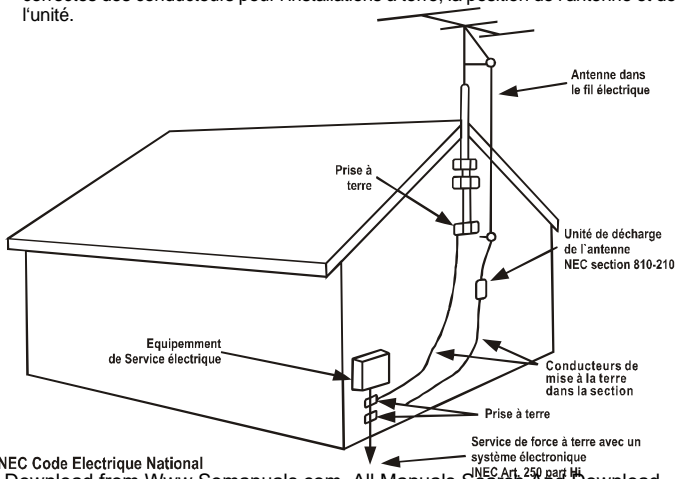
pas à faire entrer la prise correctement essayez de renverser la position de la prise. Si la prise n'entre toujours pas correctement alors prenez contact avec votre électricien pour la faire remplacer. N'essayez pas de détruire le dispositif de sécurité de la fiche polarisée.

**Autres avertissements** – Ce produit est équipé d'une fiche du type avec mise à la terre à trois fils. Il s'agit d'un fil ayant un troisième ergot (prise a terre). Cette fiche s'adaptera seulement sur une prise de courant du type avec prise a terre. Il s'agit d'un dispositif de sécurité. Si vous êtes incapables d'insérer la fiche dans la prise de courant, contactez votre électricien pour remplacer votre prise désuète. N'essayez pas de détruire le dispositif de sécurité de la fiche polarisée.

**13. Protection du fil du courant** – le fils d'approvisionnement devraient être acheminés a façon à ce que l'on ne risque pas de marcher dessus ou qu'il ne soit pas coincés par des articles placés au-dessus d'eux, en faisant particulièrement attention aux fils à proximité de fiches, prises de courant de service, et au point où ils sortent de l'appareil.

**14. Élément protecteur de la prise:** cet appareil compte avec une prise protégée contre les surcharges. C'est un dispositif de sécurité. Si vous devez faire remplacer la prise, assurez-vous que le technicien utilise une prise avec le même dispositif de protection contre surcharges, comme il est indiqué par le fabricant.

**15. MISE À TERRE DE L'ANTENNE EXTÉRIEURE:** cet appareil doit être branché exclusivement sur le type de source d'énergie indiqué dans la notice. Si vous doutez du type d'énergie renseignez vous auprès du vendeur ou avec la compagnie locale. L'article 810 du code électrique national ANSI/NFPA 70, comporte l'information correspondant à la manière correcte de faire une installation à terre à travers une colonne ou une structure, ainsi que la manière de faire l'installation du câble d'entrée à l'antenne pour décharge, et la taille de l'unité et les dimensions correctes des conducteurs pour l'installations à terre, la position de l'antenne et de l'unité.



- 16.Éclair :** Afin de protéger cet appareil lors d'une tempête ou s'il n'est pas utilisé pour longtemps, débranchez-le de la prise et du système d'antenne ou du câble d'énergie. Cette mesure va le protéger des dommages dus aux foudres et aux variations de voltage.
- 17.Lignes d'énergie électrique :** l'antenne ne doit pas être située près des lignes électriques aériennes ou des circuits électriques ou d'énergie. Quand vous installez une antenne externe prenez soin de ne pas toucher les lignes ou les circuits électriques parce qu'il peut être fatal.
- 18.Surcharges :** Ne branchez pas trop d'appareils sur la prise du mur, des rallonges ou des prises intégrées parce qu'il peut produire des incendies ou des chocs électriques.
- 19.Contact avec d'autres objets ou avec de l'eau :** ne mettez jamais des objets dans les trous de l'appareil parce qu'ils peuvent se mettre en contact avec des points de haut voltage ou avec de circuits donnant comme résultat des chocs électriques ou des incendies. Ne jamais verser des liquides sur l'appareil.
- 20.Service d'entretien :** N'essayez jamais de réparer cet appareil vous même. N'enlevez pas les couvercles parce que vous risquez un choc électrique ou d'autres dangers. Renseignez vous auprès de votre service d'entretien ou du personnel autorisé.
- 21.Dommages :** cet appareil a besoin du service technique autorisé quand :
- A) le fil électrique ou la prise sont abîmés,
  - B) si on a versé du liquide sur l'appareil ou si on a introduit un objet dans l'appareil,
  - C) si l'appareil a été exposé à la pluie ou d'autres liquides,
  - D) Si cet appareil ne marche pas correctement après avoir suivi les instructions, réglez seulement les contrôles couverts par les instructions de service parce qu'un réglage incorrect peut produire des dommages et peut demander une réparation plus détaillée de la part d'un technicien qualifié afin de mettre l'appareil à son état original.
  - E) Si l'appareil est tombé par terre ou a été abîmé en certaine manière.
  - F) Si le produit montre un changement dans son fonctionnement, cela peut indiquer qu'il a besoin d'une vérification d'entretien.
- 22.Pièces de rechange :** si l'appareil a besoin des pièces de rechange, assurez-vous que le technicien utilise les pièces conseillées par le fabricant ou le cas échéant qu'elles aient les mêmes caractéristiques des pièces originales. Les pièces non conseillées peuvent produire des incendies, des chocs électriques ou autres dangers.
- 23.Vérification de la sécurité :** Tous les travaux de réparation ou de service technique de cet appareil doivent être faits par un technicien qui assure la qualité de son travail.
- 24.Installation sur le mur ou sur le plafond :** ce produit doit être installé sur le mur ou sur le plafond si ceci est conseillé par le fabricant.
- 25.Chaleur :** cet appareil doit rester loin de sources de chaleur comme radiateurs, fours ou n'importe quel autre équipe similaire (haut parleurs inclus)

**ATTENTION :** Les changements ou modifications non autorisés par le fabricant de cet appareil peuvent entraîner la nullité de la garantie.





# Radio Relógio Digital com Despertador Com iluminação noturna

Modelo: 89019

## Instruções de operação



O símbolo do flash e a ponta da flecha ao interior do triângulo são um sinal de advertência que indicam "voltagens perigosas" neste produto.

### Perigo

**Risco de choque elétrico  
Não abrir.**

**PERIGO:** PARA REDUZIR O RISCO DE CHOQUE ELÉTRICO, NÃO TIRE A TAMPA (NA PARTE POSTERIOR). ESTE APARELHO NÃO CONTÉM PARTES QUE POSSAM SER REPARADAS PELO USUÁRIO. SE REQUER SERVIÇO CONTATE PESSOAL QUALIFICADO.



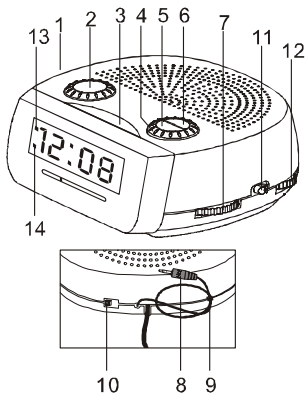
O sinal de exclamação dentro do triângulo é um sinal que indica a existência de instruções importantes incluídas com este produto.

**Advertência:** Para reduzir o risco de fogo ou de eletrocussão, não exponha este aparelho à água chuva ou umidade.

**CUIDADO:** PARA PREVER UM CHOQUE ELÉTRICO NÃO UTILIZE ESTE ENCAIXE (POLARIZADO) COM UMA EXTENSÃO, TOMA CORRENTE, U OUTRA TOMA A MENOS QUE AS PATAS DO ENCAIXE FIQUEM INSERIDAS POR COMPLETO PARA EVITAR A EXPOSIÇÃO DAS MESMAS.

Leia por favor as instruções antes de usar seu aparelho.

1. ON/OFF/AUTO (ligado/desligado/automático)
2. SLEEP (Dormir)
3. SNOOZE
4. Clock Set / ALARM / TIME SET switch (programador de relógio/alarme/Hora)
5. MINUTE Set Button (seletor de Minutos)
6. HOUR Set Button (Seletor de Hora)
7. TUNING CONTROL (Seletor de estação)
8. MP3 Input, Wire and Plug (Toma para MP3, cabo e encaixe)
9. MP3 Wire Retaining clip (Clipe sujeitador do MP3)
10. Radio/MP3 Switch (Seletor Radio/MP3)
11. AM/FM Band Switch (Seletor de Banda AM/FM)
12. VOLUME/BUZZE CONTROL (Controle de volume/ buzzer)
13. PM Indicator (Indicador de hora PM)
14. ALARM ON Indicator (Indicador de Alarme acionado)



## FUNDO DO APARELHO

Compartimento para bateria de 9V (não incluída) para conservar temporalmente a hora em caso de uma interrupção de energia.

## ANTENA

Para uma melhor recepção de AM, este aparelho vem com uma antena de ferrita de alta sensibilidade.

Para uma melhor recepção de FM, este aparelho vem especialmente equipado com uma antena FM incorporada ao cabo alimentador.

Assegure-se de desenrolar a antena por completo para seu bom funcionamento.

## USO DO RELÓGIO ELETRÔNICO

1. Conete o fio alimentador a um toma corrente de 110/120V AC, 60 Hz.
2. Coloque o seletor ON/OFF/AUTO (1) na posição OFF. A pantalha do relógio piscará indicando que a hora não é a correta.
3. Para por a hora correta, gire o dial (4) à posição "Set Time", logo pressione o botão HOUR (6) e mantenha pressionado até alcançar a hora desejada. Agora pressione o botão MINUTE e mantenha assim até alcançar os minutos corretos. O indicador de PM (13) se iluminará quando a hora marcar PM (horas da tarde). Assegure-se de que o indicador PM esteja aceso se a hora programada corresponde ao PM.
4. Quando a hora correta tenha sido programada, gire o dial (4) à posição "Clock". A hora não pode ser mudada quando o dial se encontra nesta posição.

## UTILIZACION DEL RADIO

1. Deslize o botão ON/OFF/AUTO (1) à posição de "ON". (ligado)

Download from [Www.Somanuals.com](http://www.Somanuals.com). All Manuals Search And Download.

2. Deslize o seletor RADIO/MP3 (10) a posição de RÁDIO.
3. Selecione a banda de sua preferência deslizando o botão BAND SWITCH (11) à posição de "AM" ou de "FM".
4. Ajuste o botão do VOLUME CONTROLE (12) a seu gosto.
5. Gire o botão de TUNING CONTROLE (7), para sintonizar sua estação de rádio favorita.

### **ACORDE COM MÚSICA**

Uma vez selecionada a estação de rádio desejada e ajustado o nível do volume, proceda da seguinte maneira:

1. Deslize o seletor ON/OFF/AUTO (1) à posição de AUTO.
2. Gire o seletor (4) à posição "Set Alarm" (programar alarme), e logo pressione o botão HOUR (6) até alcançar a hora na qual deseja acionar o alarme. Para ajustar os minutos do alarme, pressione o botão MINUTE (5). Logo após ter programado o alarme, volte o seletor (4) à posição CLOCK. A hora do alarme já se encontra guardada na memória do timer. Para revisar a hora do alarme, simplesmente gire o dial (4) à posição "Set Alarm" e o relógio mostrará a hora na qual foi programado o alarme. A hora de ativação do alarme permanecerá na memória do timer e o rádio ligará automaticamente à mesma hora no dia seguinte. Para desligar o rádio, simplesmente deslize o seletor ON/OFF/AUTO (1) à posição de OFF. Note que o indicador de "Alarm ON" (14) se ilumina quando o alarme do relógio se encontra ativado.

### **ACORDE COM A CAMPAINHA**

Ajuste os controles da mesma maneira que para "Acorde com Musica" girando o volume (12) até que faça um click sobre a posição de BUZZER. O buzzer pode ser desligado ou a fonte de som trocada a rádio colocando o selecionador (1) na posição OFF o ON.

### **DURMA COM MÚSICA**

Seguindo estas instruções o rádio pode ser programado para tocar ou desligar automaticamente após um período de tempo entre 1 minuto a uma hora e 59 minutos. Uma vez selecionada a estação e o volume desejado, coloque o botão ON/OFF/AUTO (1) na posição AUTO. Pressione o botão SLEEP (dormir -2) e pressione o botão MINUTE (5) até alcançar o tempo desejado para o desligado automático. Para desligar o rádio antes de finalizar o tempo programado, pressione o botão o SNOOZE.

### **CONTROLE O SNOOZE**

Pressionando o botão do Snooze (3) desliga o alarme e lhe permite estender seu sono por nove minutos. Esta operação pode se repetir tantas vezes como Você deseje até por um tempo máximo de 2 horas. Coloque o botão ON/OFF/AUTO (1) na posição OFF para desativar a função de Snooze.

### **RESPALDO A BATERIA**

Conete uma bateria de 9V (não incluída) aos terminais no interior do compartimento para baterias do rádio relógio. Recomenda-se desligar o aparelho da tomada no

momento de ligar as baterias. Embora a pantalha do relógio permaneça desligada, o relógio mantém a hora na sua memória. Isto lhe permite mexer o rádio de um lado ao outro sem necessidade de programar a hora uma e outra vez. O sistema de respaldo da bateria somente deve ser usado durante interrupções de energia de curta duração. Se utilizar por períodos mais longos, a bateria pode descarregar, resultando uma menor precisão na hora mostrada. A bateria deve ser tirada do rádio para evitar derrames. Se não houver necessidade de utilizar o sistema de respaldo da bateria, seu rádio funcionará normalmente sem bateria. Não ter uma bateria; com tudo, faz com que a pantalha pisque no momento de reconectar o rádio à tomada, sendo necessário programar a hora tal como se indica. "USO DO RELÓGIO ELETRÔNICO".

### **FIO ADAPTADOR PARA MP3**

- Para tocar um MP3 com este rádio, este set inclui um cabo adaptador (8).
- Coloque o MP3 ao lado do rádio e insira o encaixe na tomada para audífonos do MP3. Mexa o seletor RADIO/MP3 (10) à posição de MP3. Mexa o botão ON/OFF/AUTO (1) à posição ON.
- Para desligar, tire o encaixe da tomada para audífonos e coloque o seletor RADIO/MP3 à posição de RÁDIO. Assegure-se de pendurar o fio do clip (9) para evitar danos.

### **CUIDADOS GERAIS**

A parte exterior do rádio pode ser limpado com um pano úmido (assegure-se de que o aparelho esteja desligado).

Não deixe o rádio sob a luz do sol, ou em lugares úmidos, quentes ou com poeira. Mantenha o aparelho longe de equipamentos que produzam calor ou barulho, tais como: lâmpadas fluorescentes ou motores.

### **ESPECIFICAÇÕES**

Corrente: 120V-60Hz, 5w

Bateria de respaldo: 9V (1x9V 6F22 NÃO INCLUSA)

Freqüência de rádio: AM 530-1700 MHz / FM 88-108 MHz

## **GARANTIA LIMITADA A 1 ANO**

Sunbeam Products, Inc. fazendo negocios como Jarden Consumer Solutions em US e Sunbeam Corporation (Canada) Limited fazendo negocios como Jarden Consumer Solutions em Canada garante que durante un ano logo da data de compra este produto nao apresentara defeitos de materias ou mau de obra. Sunbeam reparara ou substituirá o produto ou qualquer dos seus componentes que fiquem defeituosos durante o periodo da garantia. A substituição sera feita com um produto ou componente novo. Si o produto ja nao esta disponivel, a substituição sera feita com um produto semelhante de mesmo o superior valor. Esta é sua garantia exclusiva.

Os distribuidores, os negociantes e os centros de serviço Sunbeam ou outras companhias que vendem ou dão serviço aos produtos Sunbeam nao tem o direito de alterar, modificar de nenhuma forma o conteudo e as condições desta garantia.

Esta garantia nao cobre o gasto normal das peças ou os danos causados pelas seguintes causas: uso negligente ou inadequado do produto, uso de voltagem ou corrente inapropriada, uso que contrarie as instruções operacionais, ou desmontagem, reparo ou alteração realizada por pessoas que nao pertençam ao quadro de profissionais dela Sunbeam ou aos centros de assistencia tecnica autorizados. Mais ainda, a garantia nao cobre Atos de Deus, tais como fogo, inundação, furacões e tornados.

A Sunbeam nao sera responsavel por qualquer dano incidental que ocorra como consequencia da violação dos termos explicitos ou implicitos da garantia deste produto ou qualquer parte deste. Salvo que seja proibido pela lei existente, qualquer garantia comercial subentendida para um propósito particular tem uma duração limitada pela garantia descrita acima. Alguns estados nao permitem a exclusao ou limitação de danos incidentais ou consequenciais, nem permitem limitações sobre o tempo de duração duma garantia implicita, portanto as limitações ou exclusoes citadas acima poderao nao ser pertinentes ao caso do cliente. Esta garantia concede direitos juridicos especificos ao cliente, entretanto este podera ter outros direitos que poderao variar de acordo com o estado em questao.

### **Como Obter Serviço de Garantia**

Entre em contato com o distribuidor Sunbeam.

# Dados importantes para sua segurança

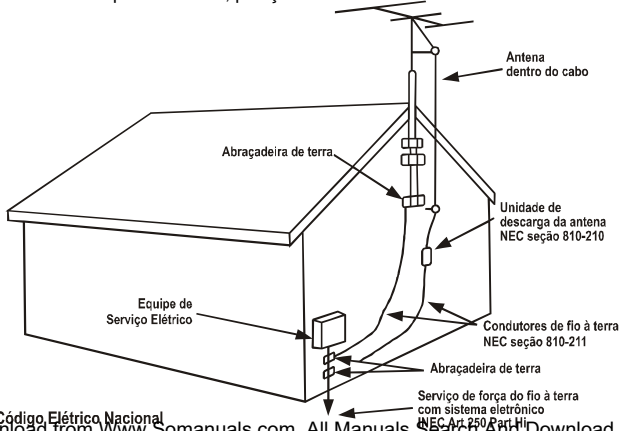
1. **Leia as instruções:** todas as instruções referentes às medidas de segurança devem ser lidas antes de utilizar o aparelho.
2. **Guarde o instrutivo:** as medidas de segurança devem guardar para futura referência.
3. **Advertência:** todas as advertências a respeito deste produto e sua utilização devem ser tomadas em conta.
4. **Instruções a seguir:** todas as instruções de uso e operação devem ser seguidas.
5. **Limpeza:** Desligue o aparelho da tomada antes de utilizá-lo. Não use líquido ou aerossol. Use um pano para poeira para limpá-lo.
6. **Aditamentos:** Não coloque aditamento algum, já que não se recomendam para este produto e pode causar danos.
7. **Água e Umidade:** não utilize este aparelho perto da água – por exemplo: perto de uma banheira, lavabo, pia, tanque de lavar roupa ou num sótano úmido ou perto de uma piscina.
8. **Acessórios:** não coloque este aparelho sobre um tripé, suporte, ou sobre uma mesa que não seja recomendada pelo fabricante. O aparelho poderia cair, causando feridas serias a crianças ou adultos, e inclusive danos sérios ao aparelho. Use somente sobre mesas, tripodes, suportes, recomendados pelo fabricante, ou vendidos com o produto. Toda a montagem do produto deve realizar se seguindo as instruções do fabricante, e se devem utilizar somente aqueles acessórios de montagem recomendados pelo fabricante.
9. **Suportes ou bases:** O aparelho e o suporte devem ser movidos com cuidado. A aplicação de força excessiva e as superfícies desiguais podem causar a queda do aparelho.



10. **Ventilação:** o aparelho deve ser utilizado em lugares ventilados para evitar o sobre aquecimento do mesmo. As aberturas de camas, sofás, ou itens similares devem ser bloqueadas se o aparelho é instalado perto dos mesmos. Este aparelho não deve ser colocado ou instalado dentro de uma estante a menos que estes estejam ventilados e corretamente ensamblados segundo as instruções do fabricante.
11. **Fontes de energia:** Este produto deve ser operado somente utilizando a fonte de energia indicada na etiqueta. Se Você não está seguro do tipo de fonte de alimentação elétrica consulte seu vendedor ou a companhia local. Revisar o instrutivo para aparelhos que funcionem com bateria ou outras fontes de energia.
12. **Terra e polarização:** este produto esta equipado com uma tomada polarizada (tomada com uma pata mais longa que a outra). Esta tomada deve encaixar-se

de uma maneira só ao toma corrente. Este é um dispositivo de segurança do aparelho. Se Você não conseguir encaixar corretamente tente inverter a posição do mesmo. Se mesmo assim não encaixar corretamente contate seu electricista para sua substituição. Não desligue ou desabilite este dispositivo de segurança do encaixe polarizado.

- 13. ADVERTÊNCIAS ADICIONAIS:** Este aparelho está equipado com uma tomada com cabo a terra – um encaixe com uma terceira pata (para fazer terra). Este encaixe somente pode ser conectado com um toma corrente especial para este tipo de encaixe. Este é um dispositivo de segurança. Se Você não logra inserir por completo o encaixe no toma corrente, contate a um electricista qualificado para trocar seu toma corrente por um mais moderno e adequado. Não desligue ou desabilite este dispositivo de segurança do encaixe polarizado.
- 14. Proteção do cabo:** o fio de alimentação deve ser distribuído de modo que não se encontre em meio de lugares transitados. O fio deve ser colocado sobre uma base ou num lugar afastado.
- 15. Protetor do encaixe:** este aparelho está equipado com um encaixe com proteção contra sobrecargas. Este é um dispositivo de segurança. Veja o manual de instruções em caso de ser necessária a troca ou reprogramação do dispositivo. Se a substituição do encaixe é necessária, assegure-se de que o técnico utilize um encaixe com o mesmo dispositivo de proteção contra sobrecarga do encaixe original tal como especifica o fabricante.
- 15. Antena ao ar livre ou a terra:** se a antena exterior estiver ligada a um receptor, assegure-se de que o sistema da antena tenha conexão a terra como proteção contra as variações de carga e as cargas estáticas. O artigo 810 do código elétrico nacional, ANSI/NFPA 70, prove informação na qual explica respeito de como aterrar corretamente assim seja a um poste ou estrutura, aterrar o fio de entrada à antena para descarga, o tamanho da unidade e a dimensão apropriada dos condutores para aterrá-la, posição da antena e da unidade.



- 16. Relâmpagos:** Para a proteção deste aparelho durante uma tempestade elétrica, ou para quando estiver desligado por um longo período de tempo, desligue-o da tomada e da mesma maneira desligue-o do sistema da antena ou do fio alimentador. Isto impedirá danos ao aparelho devido a relâmpagos e variações de energia.
- 17. Linhas de energia:** Um sistema exterior de antena não deve estar situado perto de linhas de força aérea ou de outros circuitos de luz elétrica ou de força. Ao instalar um sistema exterior de antena, devem tomar-se extremas precauções ao tocar linhas ou circuitos de força, já que tal contato de força pode resultar fatal.
- 18. Sobrecargas -** Não sobrecarregue as tomadas da parede, cabos de extensão, ou receptáculos integrados, já que isto pode resultar em fogo ou eletrocussão.
- 19. Entrada de objetos e líquidos –** Nunca introduza objetos de nenhum tipo ao interior deste aparelho através das ranhuras, já que estes poderiam entrar em contacto com pontos de alta voltagem ou outras produzindo fogo e choque elétrico. Nunca derrame nenhum tipo de líquidos sobre este aparelho.
- 16. Serviços de manutenção:** Não tente consertar este aparelho por conta própria. Não tente abrir ou remover as tampas já que se expõem a uma possível eletrocussão ou outros perigos. Consulte com serviços de manutenção e pessoal qualificado.
- 17. Danos:** Desligue este aparelho da tomada e leve-o a um centro de serviço autorizado se alguma das seguintes condições se apresenta:
- a) o fio alimentador ou o encaixe estão danificados.
  - b) se algum líquido derramou sobre o aparelho ou objeto algum tenha sido introduzido nele
  - c) se o aparelho foi exposto à água, chuva ou outros líquidos
  - d) Se o produto não funciona normalmente embora seguindo as instruções, ajuste somente aqueles controles detalhados neste manual já que um ajuste incorreto de outros controles poderia resultar em danos que somente um técnico qualificado poderia consertar.
  - e) se o aparelho cair no chão ou for danificado de alguma maneira.
  - f) Se o aparelho mostra mudanças em seu modo de funcionamento – isto indica a necessidade de uma revisão.
- 20. Peças de reposição:** quando se requeiram peças de reposição, assegure-se de que o técnico tenha utilizado as peças de estipuladas pelo fabricante ou que estas pelo menos possuam as mesmas características que a peça original trocada. As substituições não autorizadas podem ocasionar fogo, eletrocussão ou outros perigos.
- 23. Verificação de segurança:** Todo serviço ou consertos sobre este aparelho, devem ser realizados por um técnico qualificado para a segurança do produto.
- 24. Montagem sobre parede ou teto –** Este aparelho deve ser montado sobre uma parede ou um teto somente da maneira em que recomenda o fabricante.
- 25. Calor –** Este produto deve ser colocado longe de fontes de calor tais como: radiadores, queimadores ou outros produtos (amplificadores incluídos) que emitam calor.

**Advertência:** As trocas ou modificações sobre esta unidade não aprovadas pelo fabricante podem resultar na anulação da garantia do equipamento.



# Sunbeam®

## RADIO RELOJ AM/FM

Modelo 89019

### Instrucciones de operación



El símbolo del flash y la punta de flecha al interior del triángulo son un signo de advertencia que indican "voltage peligroso" en este producto.

#### Peligro

**Riesgo de shock eléctrico  
No abrir**

**PELIGRO:** PARA REDUCIR EL RIESGO DE SHOCK ELECTRICO, NO quite la tapa (en la parte posterior). ESTE APARATO NO CONTIENE PARTES QUE PUEDAN SER REPARADAS POR EL USUARIO. SI REQUIERE SERVICIO CONTACTE PERSONAL CALIFICADO.



El signo de exclamación dentro del triángulo es una señal que indica la existencia de instrucciones importantes incluidas con este producto.

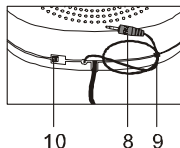
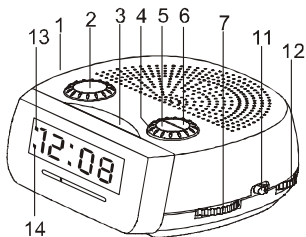
**Advertencia:** Para reducir el riesgo de fuego o de electrocución, no exponga este aparato al agua lluvia o humedad.

**CUIDADO:** PARA PREVENIR UN SHOCK ELECTRICO NO UTILIZE ESTE ENCHUFE (POLARIZADO) CON UNA EXTENSION, TOMACORRIENTES, U OTRA TOMA A MENOS QUE LAS PATAS DEL ENCHUFE QUEDEN INSERTADAS POR COMPLETO PARA EVITAR LA EXPOSICION DE LAS MISMAS.

Lea por favor las instrucciones antes de usar su aparato.

Download from [www.Somanuals.com](http://www.Somanuals.com). All Manuals Search And Download.

1. ON/OFF/AUTO  
(encendido/apagado/automático)
2. SLEEP (Dormir)
3. SNOOZE
4. Clock Set / ALARM / TIME SET switch  
(programador de reloj/alarma/Hora)
5. MINUTE Set Button (selector de Minutos)
6. HOUR Set Button (Selector de Hora)
7. TUNING CONTROL  
(Selector de estación)
8. MP3 Input, Wire and Plug  
(Toma para MP3, cable y enchufe)
9. MP3 Wire Retaining clip  
(Clip sujetador del cable MP3)
10. Radio/MP3 Switch (Selector Radio/MP3)
11. AM/FM Band Switch  
(Selector de Banda AM/FM)
12. VOLUME/BUZZE CONTROL  
(Control de volumen/ buzzer)
13. PM Indicator (Indicador de hora PM)
14. ALARM ON Indicator (Indicador de Alarma encendida)



### FONDO DEL APARATO

Compartimento para batería de 9V (no incluida) para conservar temporalmente la hora en caso de una interrupción de energía.

### ANTENA

Para una mejor recepción de AM, este aparato viene con una antena de ferrita de alta sensibilidad.

Para una mejor recepción de FM, este aparato viene especialmente equipado con una antena FM incorporada al cable alimentador.

Asegurese de desenrollar la antena por completo para su buen funcionamiento.

### USO DEL RELOJ ELECTRONICO

1. Conecte el cable alimentador a un tomacorrientes de 110/120V AC.
2. Coloque el selector ON/OFF/AUTO (1) en la posición OFF. La pantalla del reloj parpadeará indicando que la hora en la misma no es la correcta.
3. Para poner la hora correcta, gire el dial (4) a la posición "Set Time", luego presione el botón HOUR (6) y manténgalo presionado hasta alcanzar la hora deseada. Ahora presione el botón MINUTE y manténgalo así hasta alcanzar los minutos correctos. El indicador de PM (13) se iluminará cuando la hora marque PM (horas de la tarde). Asegurese de que el indicador PM esté encendido si la hora programada corresponde al PM.
4. Cuando la hora correcta haya sido programada, gire el dial (4) a la posición "Clock". La hora no puede ser cambiada cuando el dial se encuentra en esta posición.

## **UTILIZACION DEL RADIO**

1. Deslice el selector ON/OFF/AUTO (1) a la posición "ON" (encendido).
2. Deslice el selector RADIO/MP3 (10) a la posición de RADIO.
3. Deslice el selector de banda ("BAND" - 11) a la posición de AM o FM.
4. Ajuste el Control de Volumen (12) hasta alcanzar el volumen deseado.
5. Ajuste el Selector de Estación (7) para seleccionar su estación favorita.

## **DESPIERTE CON MUSICA**

Una vez seleccionada la estación de radio deseada y ajustado el nivel del volumen, proceda de la siguiente manera:

1. Deslice el selector ON/OFF/AUTO (1) a la posición de AUTO.
2. Gire el selector (4) a la posición "Set Alarm" (programar alarma), y luego presione el botón HOUR (6) hasta alcanzar la hora a la cual Ud. desea suene la alarma. Para ajustar los minutos de la alarma, presione el botón MINUTE (5). Luego de haber programado la alarma, regrese el selector (4) a la posición CLOCK. La hora de la alarma ya se encuentra guardada en la memoria del timer. Para revisar la hora de la alarma, simplemente gire el dial (4) a la posición "Set Alarm" y el reloj mostrará la hora en la cual ha sido programada la alarma. La hora de activación de la alarma permanecerá en la memoria del timer y el radio se encenderá automáticamente a la misma hora al día siguiente. Para apagar el radio, simplemente deslice el selector ON/OFF/AUTO (1) a la posición de OFF. Note que el indicador de "Alarm ON" (14) se ilumina cuando la alarma del reloj se encuentra activada.

## **DESPIERTE CON EL TIMBRE**

Ajuste los controles de la misma manera que para "Despierte con Musica" girando el volumen (12) hasta que haga un clic sobre la posición de BUZZER. El buzzer puede ser apagado o la fuente de sonido cambiada a la radio colocando el seleccionador (1) en la posición OFF o ON.

## **DUERMA CON MUSICA**

Siguiendo estas instrucciones el radio puede ser programado para tocar u apagarse automáticamente luego de un periodo de tiempo de entre 1 minuto a una hora y 59 minutos. Una vez seleccionada la estación y el volumen deseados, coloque el botón ON/OFF/AUTO (1) en la posición AUTO. Luego presione el botón SLEEP (dormir -2) y presione el botón MINUTE (5) hasta alcanzar el tiempo deseado para el apagado automático. Para apagar el radio antes de finalizado el tiempo programado, presione el botón el SNOOZE.

## **CONTROL EL SNOOZE**

Presionando el botón del Snooze (3) apaga la alarma y le permite extender su sueño por nueve minutos. Esta operación puede repetirse tantas veces como Ud. desee hasta por un tiempo máximo de 2 horas. Coloque el botón ON/OFF/AUTO (1) en la posición OFF para desactivar la función de Snooze.

## **RESPALDO A BATERIA**

Conecte una batería de 9V (no incluida) a los terminales al interior del compartimento para baterías del radio reloj. Se recomienda desconectar el aparato del tomacorrientes

al momento de conectar las baterías. Aunque la pantalla del reloj permanecerá apagada, el reloj mantiene la hora en su memoria. Esto le permite mover el radio de un lado a otro sin necesidad de programar la hora una y otra vez. El sistema de respaldo a batería sólo debe ser usado durante interrupciones de energía de corta duración. De utilizarse por periodos mas largos, la batería puede descargarse dando como resultado una menor precisión en la hora mostrada. La batería debe ser sacada del radio para evitar derrames. Si Ud. No tiene necesidad de utilizar el sistema de respaldo a batería, su radio funcionará normalmente sin una batería. El no tener una batería; sin embargo, hace que la pantalla parpadée al momento de reconectar la radio al tomacorriente, siendo necesario programar la hora tal como se indica en el párrafo "USO DEL RELOJ ELECTRONICO".

### **CABLE ADAPTADOR PARA MP3**

- Para tocar un MP3 con este radio, este set incluye un cable adaptador (8).
- Coloque el MP3 al lado del radio e inserte el enchufe en la toma para audífonos del MP3. Mueva el selector RADIO/MP3 (10) a la posición de MP3. Mueva el botón ON/OFF/AUTO (1) a la posición ON.
- Para desconectar, quite el enchufe de la toma para audífonos y coloque el selector RADIO/MP3 a la posición de RADIO. Asegurese de colgar el cable del clip (9) para evitar daños.

### **CUIDADOS GENERALES**

La parte exterior del radio puede ser limpiado con un paño húmedo (asegúrese de que el aparato esté desconectado).

No deje el radio bajo la luz del sol, o en lugares húmedos, calientes o polvorientos. Mantenga el aparato lejos de equipos que produzcan calor o ruido, tales como: lamparas fluorescentes o motores.

### **ESPECIFICACIONES**

Corriente: 120V-60Hz, 5w

Batería de respaldo: 9V (1x9V 6F22 NO INCLUIDA)

Frecuencia de radio: AM 530-1700 MHz / FM 88-108 MHz

## **Garantía Limitada de 1 Año**

Sunbeam Products, Inc hacienda negocios como Jarden Consumer Solutions en US y Sunbeam Corporation (Canada) Limited hacienda negocios como Jarden Consumer Solutions en Canada garantiza que durante un período de 1 año a partir de la fecha de compra, este producto estará libre de defectos de material y mano de obra. Sunbeam, a su discreción, reparará o cambiará este producto o cualquier componente del mismo que se halle defectuoso dentro del período de garantía. El reemplazo se hará con un producto o componente nuevo o remanufacturado. Si el producto ya no está disponible, el reemplazo se realizará con un producto similar de igual o mayor valor. Esta es su garantía exclusiva.

Esta garantía es válida para el comprador original a partir de la fecha de compra y no es transferible. Los distribuidores o Centros de Servicio Sunbeam no tienen el derecho de alterar, modificar o de manera alguna cambiar los términos y condiciones de esta garantía.

Esta garantía no cubre el desgaste como resultado del uso normal o daño de las partes como consecuencia del uso negligente o mal uso del producto, utilización de un voltaje o corriente inadecuados, uso contrario a las instrucciones de uso, desmontaje, reparación o alteración por cualesquier agente ajeno a Sunbeam o a sus Centros de Servicio Autorizados. Mas aún, la garantía no cubre actos de Dios, tales como incendios, inundación, huracanes y tornados.

Sunbeam no es responsable por daños ocurridos como resultado de la violación de los términos de la garantía. Excepto hasta donde lo prohíben las leyes aplicables, cualquier garantía de comercialización o aptitud tiene una duración limitada a los términos de la garantía antes detallada. Algunos estados, jurisdicciones o provincias no permiten la exclusión o limitación de los daños consecuentes o incidentales o limitaciones respecto de la duración de la garantía, de modo que las antes citadas limitaciones y exclusiones pueden no aplicar a Ud. Esta garantía le brinda derechos legales específicos, además de otros derechos que Ud. pueda tener según sean las leyes de su estado o provincia.

## **Como Obtener Servicio de Garantía**

Contacte a su Distribuidor Sunbeam Autorizado.

# Datos importantes para su seguridad

1. **Lea las instrucciones:** todas las instrucciones referentes a las medidas de seguridad deben ser leídas antes de utilizar el aparato.
2. **Guarde el instructivo:** las medidas de seguridad deben guardarse para futura referencia.
3. **Advertencia:** todas las advertencias respecto de este producto y su utilización deben ser tomadas en cuenta.
4. **Instrucciones a seguir:** todas las instrucciones de uso y operación deben ser seguidas.
5. **Limpieza:** Desconecte el aparato del tomacorrientes antes de utilizarlo. No use líquidos o aerosoles. Use un paño para polvo para limpiarlo.
6. **Aditamentos:** No coloque aditamento alguno, ya que no se recomiendan para este producto y pueden causar daños.
7. **Agua y Humedad:** no utilice esta aparato cerca de agua – por ejemplo: cerca de una bañera, lavacara, lavabo, piedra de lavar o en un sótano húmedo o cerca de una piscina.
8. **Accesorios:** no coloque este aparato sobre un tripode, soporte, o sobre una mesa que no sea recomendada por el fabricante. El aparato podría caer, causando heridas serias a niños o a adultos, e inclusive daños serios al aparato. Use solamente sobre mesas, tripodes, soportes, recomendados por el fabricante, o vendidos con el producto. Todo el montaje del producto debe realizarse siguiendo las instrucciones del fabricante, y se deben utilizar solo aquellos accesorios de montaje recomendados por el fabricante.
9. **Soportes o bases:** El aparato y el soporte deben ser movidos con cuidado. La aplicación de fuerza excesiva y las superficies desiguales pueden causar la caída del aparato.

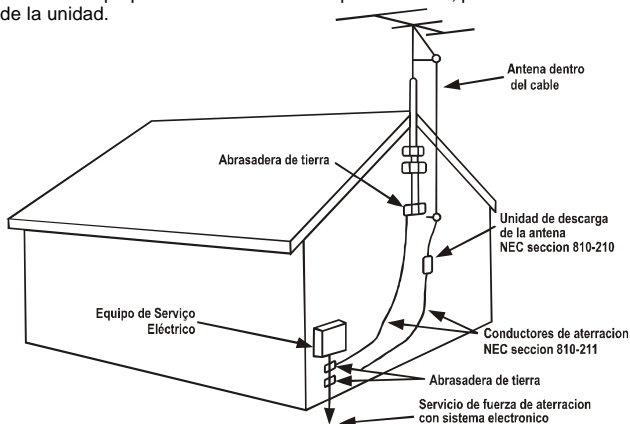


10. **Ventilación:** el aparato debe ser utilizado en lugares ventilados para evitar el sobrecalentamiento del mismo. Las aberturas de camas, sofás, o items similares deben ser bloqueadas si es que el aparato es instalado cerca de los mismos. Este aparato no debe ser colocado o instalado dentro de un librero o repisa a menos que estos estén bien ventilados y correctamente ensamblados según las instrucciones del fabricante.
11. **Fuentes de energía:** Este producto debe ser operado solamente utilizando la fuente de energía indicada en la etiqueta. Si Ud. no está seguro del tipo de fuente de alimentación consulte con su vendedor o con la compañía local. Revisar el instructivo para aparatos que funcionen con batería u otras fuentes de energía.
12. **Tierra y polarización:** este producto está equipado con un enchufe polarizado (enchufe con una pata más larga que la otra). Este enchufe debe encajarse de

una sola manera al tomacorrientes. Este es un dispositivo de seguridad del aparato. Si Ud. no logra encajar el enchufe correctamente intente invertir la posición del mismo. Si aun así el enchufe no encaja correctamente contacte a su electricista para su sustitución. No desconecte o desabilite este dispositivo de seguridad del enchufe polarizado.

**ADVERTENCIAS ADICIONALES:** Este aparato está equipado con un enchufe con cable a tierra – un enchufe con una tercera pata (para hacer tierra). Este enchufe solo puede ser conectado con una tomacorrientes especial para este tipo de enchufes. Este es un dispositivo de seguridad. Si Ud. no logra insertar por completo el enchufe en el tomacorrientes, contacte a un electricista calificado para cambiar su tomacorrientes por uno mas moderno y adecuado. No desconecte o desabilite este dispositivo de seguridad del enchufe polarizado.

13. **Protección del cable:** el cable de alimentación debe ser distribuido de modo que no se encuentre en medio de lugares transitados. El cable debe ser colocado sobre una base o de lo contrario en un lugar apartado.
14. **Protector del enchufe:** este aparato esta equipado con un enchufe con protección contra sobrecargas. Este es un dispositivo de seguridad. Vea el manual de instrucciones en caso de ser necesario el cambio o reprogramación del dispositivo. Si la sustitución del enchufe es necesaria, asegurese de que el técnico utilice un enchufe con el mismo dispositivo de protección contra sobrecarga del enchufe original tal como lo especifica el fabricante.
15. **Antena al aire libre o a tierra:** si la antena exterior estuviera conectada a un receptor, asegurese de que el sistema de la antena tenga conexión a tierra como protección contra las variaciones de carga y las cargas estáticas. El artículo 810 del código eléctrico nacional, ANSI/NFPA 70, provee información en la cual explica respecto de como aterrarse correctamente ya sea a un poste o estructura, aterrarse el cable de entrada a la antena para descarga, el tamaño de la unidad y la dimensión apropiada de los conductores para aterrarse, posición de la antena y de la unidad.



- 16. Relampagos:** Para la protección de este aparato durante una tormenta eléctrica, o para cuando este es dejado desatendido por un largo período de tiempo, desconéctelo del tomacorrientes y de misma manera desconéctelo del sistema de la antena o del cable alimentador. Esto impedirá daños al aparato debido a relámpagos y variaciones de energía.
- 17. Líneas de energía:** Un sistema exterior de antena no debe estar situado en la cercanía de líneas de fuerza aéreas o de otros circuitos de luz eléctrica o de fuerza. Al instalar un sistema exterior de antena, deben tomarse extremas precauciones al tocar líneas o circuitos de fuerza, ya que tal contacto de fuerza puede resultar fatal.
- 18. Sobrecargas** - No sobrecargue los tomacorrientes de la pared, cables de extensión, o receptáculos integrados, ya que esto puede resultar en fuego o electrocución.
- 19. Entrada de objetos y líquidos** – Nunca introduzca objetos de ningún tipo al interior de este aparato a través de las ranuras, ya que estos podrían entrar en contacto con puntos de alto voltaje u otras produciendo fuego y shock eléctrico. Nunca derrame ningún tipo de líquidos sobre este aparato.
- 20. Servicios de mantenimiento:** No intente reparar este aparato por cuenta propia. No intente abrir o remover las tapas ya que se expone a una posible electrocución u otros peligros. Consulte con servicios de mantenimiento y personal calificado.
- 21. Daños:** Desconecte este aparato del tomacorrientes y llévelo a un centro de servicio autorizado si alguno de los siguientes condiciones se presenta:
- A) el cable alimentador o el enchufe están dañados
  - B) si algún líquido ha sido derramado sobre el aparato u objeto alguno ha sido introducido en el mismo
  - C) si es que el aparato ha sido expuesto a agua lluvia u otros líquidos
  - D) si es que al aparato no opera normalmente aún luego de haber seguido las instrucciones de operación, ajuste solo aquellos controles contemplados en el instructivo ya que realizar otros ajustes podrían producir daños y por ende requerir reparación por parte de un técnico calificado.
  - E) si el aparato cae al piso o es dañado de alguna manera.
  - F) cuando el aparato exhibe cambios en su funcionamiento - esto indica necesidad de servicio.
- 22. Piezas de repuesto:** cuando se requieren piezas de repuesto, asegúrese de que el técnico haya usado las piezas de repuesto estipuladas por el fabricante o que estas por lo menos posean las mismas características que la pieza original intercambiada. Las substitutiones no autorizadas pueden ocasionar fuego, electrocución u otros peligros.
- 23. Verificación de seguridad:** Todo servicio o reparaciones sobre este aparato, deben ser realizados por un técnico calificado para asegurarse de la seguridad del producto.
- 24. Montaje sobre pared o techo** – Este aparato debe ser montado sobre una pared o un techo solo de la manera en que recomienda el fabricante.
- 25. Calor** – Este producto debe colocarse lejos de fuentes de calor tales como: radiadores, hornillas u otros productos (amplificadores incluidos) que emitan calor.

**Advertencia:** Los cambios o modificaciones sobre esta unidad no aprobadas por el fabricante pueden resultar en la pérdida de garantía. Para más información consulte el manual de usuario.



## Free Manuals Download Website

<http://myh66.com>

<http://usermanuals.us>

<http://www.somanuals.com>

<http://www.4manuals.cc>

<http://www.manual-lib.com>

<http://www.404manual.com>

<http://www.luxmanual.com>

<http://aubethermostatmanual.com>

Golf course search by state

<http://golfingnear.com>

Email search by domain

<http://emailbydomain.com>

Auto manuals search

<http://auto.somanuals.com>

TV manuals search

<http://tv.somanuals.com>