



STUDIO
Balanced Flue

**Instructions for Use,
Installation and Servicing**

For use in GB, IE (Great Britain and Eire)

This appliance has been certified for use in countries other than those stated. To install this appliance in these countries, it is essential to obtain the translated instructions and in some cases the appliance will require modification. Contact Gazco for further information.

IMPORTANT

Do not attempt to burn rubbish in this appliance. This appliance must only be operated with the glass door secured firmly in position. The front casing of this appliance will become hot whilst in operation, it is therefore recommended that a suitable guard should be used for the protection of young children, the elderly or infirm.

These instructions must be left at the property for future reference and when servicing the fire.

The Commissioning Sheet found on page 3 must be completed by the Corgi Installer.

COVERING THE FOLLOWING MODEL:
STUDIO 1 BALANCED FLUE: STUDIO 2 BALANCED FLUE:
8700BFCHEC 8701BFCHEC
P8700BFCHEC P8701BFCHEC

	PAGE
APPLIANCE COMMISSIONING CHECKLIST	3
USER INSTRUCTIONS	4
INSTALLATION INSTRUCTIONS	8
Technical Specifications	8
Site Requirements	
Installation	14
SERVICING INSTRUCTIONS	22
Fault Finding	22
How to replace parts	24
Basic spare parts list	30
Service Records	31

APPLIANCE COMMISSIONING CHECKLIST

IMPORTANT NOTICE

Explain the operation of the appliance to the end user, hand the completed instructions to them for safe keeping, as the information will be required when making any guaranteed claims.

FLUE CHECK	PASS	FAIL
1. Flue is correct for appliance		
2. Flue flow test N/A		
3. Spillage test N/A		
GAS CHECK		
1. Gas soundness & let by test		
2. Standing pressure test	mb	
3. Appliance working pressure (on High Setting) NB All other gas appliances must be operating on full	mb	
4. Gas rate	m ³ /h	
5. Does ventilation meet appliance requirements N/A		

DEALER AND INSTALLER INFORMATION

Dealer

Installation Company

.....

.....

.....

.....

Contact No.....

Engineer

Date of Purchase.....

Contact No.....

Model No.....

Corgi Reg No.....

Serial No.....

Date of Installation

Gas Type.....

This product is guaranteed for 2 years from the date of installation, as set out in the terms and conditions of sale between Gazco and your local Gazco dealer. **This guarantee will be invalid, to the extent permitted by law, if the above Appliance Commissioning Checklist is not fully completed by the installer and available for inspection by a Gazco engineer.** The guarantee will only be valid during the second year, to the extent permitted by law, if the annual service recommended in the Instructions for Use has been completed by a Corgi registered engineer, and a copy of the service visit report is available for inspection by a Gazco engineer.

USER INSTRUCTIONS

1. GENERAL

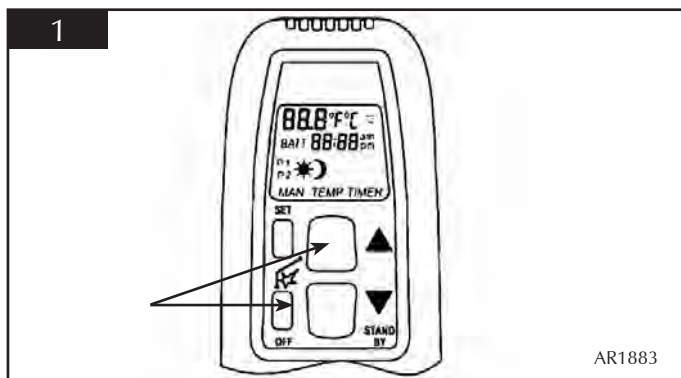
- 1.1 A competent person must carry out installation and servicing.
- 1.2 In all correspondence, please quote the appliance type and serial number, which can be found on the data badge located on a plate under the access panel, see *Diagram 2, Installation*.
- 1.3 **Do not** place curtains above the fire:
You must have 300mm (1') clearance between the fire and any curtains at either side.
- 1.4 If any cracks appear in the glass panel do not use the appliance until the panel has been replaced.
- 1.5 In the unlikely event the appliance is receiving interference from other electronic devices, the handset/Control box can be reprogrammed. Please consult your dealer if you think this may be the case.
- 1.6 If, for any reason, the flue has to be removed from the appliance, the seals must be replaced in the inner spigot.
- 1.7 Do not obstruct the flue terminal in any way, i.e. by planting flowers, trees shrubs etc in the near vicinity, or by leaning objects up against the terminal guard.
- 1.8 Do not use a garden sprinkler or hose near the terminal.
- 1.9 This product is guaranteed for 2 years from the date of installation, as set out in the terms and conditions of sale between Gazco and your local Gazco dealer. Please consult with your local Gazco dealer if you have any questions. In all correspondence always quote the Model Number and Serial Number.

2. LIGHTING THE STUDIO

There are two ways of lighting the Studio:

- by thermostatic remote control, see 2A
- using the fire's touch pad, see 2B

2A - THERMOSTATIC and TIMER REMOTE CONTROL



Turning the Studio On

Your remote can control the gas fire from pilot ignition through to shut down.

To turn the fire on:

- Press the OFF button and the UP arrow simultaneously

The pilot and main burner ignite and the remote is now in Manual Mode. In 'MANUAL MODE' you can:

- turn on the main burner
- regulate the flame from low to high and back
- turn off the burner leaving just the pilot burning

In 'TEMP MODE' you can:

- set the room temperature so the thermostat in the remote automatically maintains that temperature

In 'TIMER MODE' the stove:

- turns on and off according to the set time periods
- automatically regulates the room temperature during the set periods

NOTE: WHEN OPERATING THE FIRE IN TEMP OR TIMER MODE, THE PILOT REMAINS LIT AND THE FIRE THEN AUTOMATICALLY SWITCHES ON AT PROGRAMMED TIMES TO BRING THE ROOM TO THE SET TEMPERATURE WHETHER OR NOT YOU ARE IN THE ROOM. NEVER LEAVE ANY COMBUSTIBLE MATERIALS WITHIN 1 METRE OF THE FRONT OF THE APPLIANCE.

2.1 SWITCHING BETWEEN MODES

- Press the SET button to change to Manual Operation
- Press again to change to Temperature Mode
- Keep pressing to run through all operating modes. These are:
 - MAN
 - DAY TEMP
 - NIGHT TEMP
 - TIMERand back to MAN

NOTE: MAN mode can also be reached by pressing either the UP or DOWN arrow

2.2 MAN MODE

- Press both the UP arrow and immediately press the OFF button to light the appliance. You hear a click as the fire begins the ignition process, (up to 30 seconds)
- Press the OFF button to turn the appliance off

INCREASING TEMPERATURE

- Press the UP arrow once to increase flame height one stage
- Press and hold the UP arrow to increase to maximum

USER INSTRUCTIONS

DECREASING TEMPERATURE

- Press the DOWN arrow once to decrease flame height one stage
- Press and hold the DOWN arrow to decrease to minimum

At the lowest point the fire goes to 'standby mode' (only pilot lit)

NOTE: While pressing a button a symbol indicating transmission appears on the display. The receiver confirms transmission with an acoustic signal.

Turning the Studio Off

- Press the Off button to extinguish the pilot

2.3 TEMP MODE

The display shows the current **room** temperature.

To increase or decrease the fire's output:

- Press the SET button to select either the DAY TEMP or the NIGHT TEMP mode by briefly pressing the SET button
- Hold the SET button until the TEMP display flashes and then let go
- Set the desired temperature with the UP and DOWN arrows. (Minimum temperature 5C, maximum 30C or fahrenheit)
- Press the OFF button to stop the display flashing or wait to return to TEMP mode.

NOTE: If you set a temperature that is beneath the current room temperature, the fire automatically switches to OFF.

NOTE: If you would like the Night temperature control to turn off then decrease the temperature until [---] is displayed.

2.4 TIMER MODE

There are two programmable settings you can make over a 24 hour period, P1 and P2

- P1 + ● = Start Timed Setting 1
- P1 + ☞ = End of Timed Setting 1
- P2 + ● = Start Timed Setting 2
- P2 + ☞ = End of Timed Setting 2

2.4.1 P1 - Program 1 for a Timed Setting

- Press the SET button until the TIMER mode is displayed
- Hold the SET button. The display flashes the current time for P1. **While the time displayed is flashing you can alter the hours and minutes set.**

To set the time your fire first lights, change the Start Timed Setting for P1 ● .

- Press the UP arrow to alter the hour
- Press the DOWN arrow to alter the minutes in 10 minute increments
- Press SET again to move to the End of Timed Setting, P1. The display shows the current setting for P1 ☞ . This is the time your Studio first shuts down:
 - Press the UP arrow to alter the hour

- Press the DOWN arrow to alter the minutes

2.4.2 P2 - Program 2 for a Timed Setting

Use the same steps outlined in 2.4.1 to change the setting for P2.

If you have already set P1 and want to alter the setting for P2 only:

- Press the SET button until TIMER mode is displayed
- Hold the SET button **until the display flashes the current time** for P1 ●
- Press the SET button again to scroll past the settings for P1 ● and P1 ☞

With the time still flashing:

- Press the UP arrow to alter the hour
- Press the DOWN arrow to alter the minutes

Once all four times are set press the OFF button or simply wait to complete programming.

2.5 LOW BATTERY

"BATT" is displayed on the remote when its batteries need replacement.

2.6 SETTING THE TIME

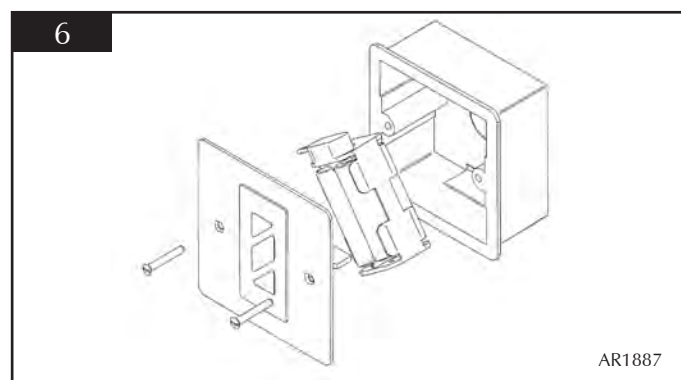
- Simultaneously press the up and down arrow buttons
- Press the up arrow to set the hour and the down arrow to set the minutes
- Press OFF to return to the manual mode or simply wait

2.7 SETTING THE °C/24 HOUR OR °F/12 HOUR CLOCK

- Press OFF and the down arrow until the display changes from °C/24 hour clock to °F/12 hour clock and vice versa.

If the remote is removed, lost or damaged, signals transmitted to the receiver cease. Your fire will go to standby (pilot) mode after 6 hours.

TOUCH PAD CONTROL



- Press the ON-OFF button to light the appliance, (up to 30 seconds)
- Press the UP button to increase the flame height
- Press the DOWN button to decrease the flame height. At the lowest point it goes to 'standby mode', (only pilot lit)

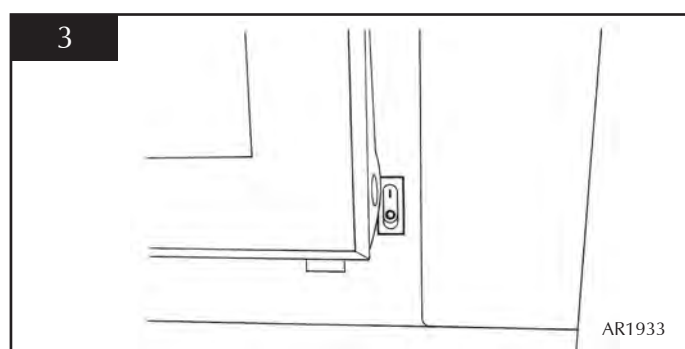
USER INSTRUCTIONS

- Press the ON-OFF button to turn the appliance off

EMERGENCY SHUT OFF

If the batteries fail during use of the fire, move the switch to the OFF (O) position, Diagram 3

(This switch is set to be ON during normal operation and must remain ON)



3. CLEANING THE STUDIO

3.1 Make sure the fire and surrounds are cool before cleaning..

Use:

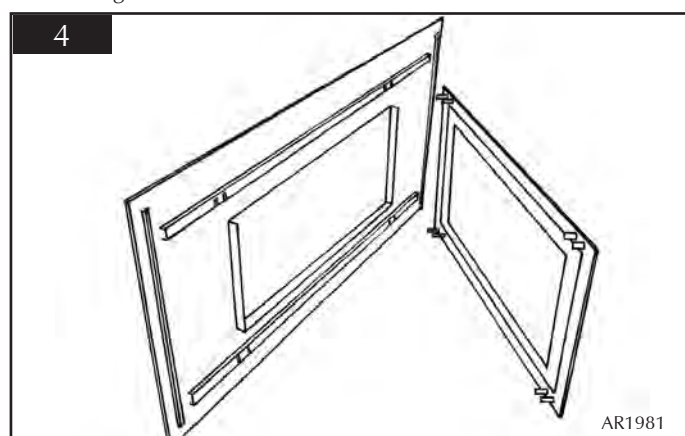
- A dry cloth or stainless steel product to clean the polished plate
- A damp cloth for the painted firebox
- A damp cloth to clean the granite/enamelled inner panels
- Use soap and water to clean the glass

3.2 **Opening the Glass Window**

3.2.1 Steel Frame

[If fitted with a Steel Frame, this needs to be removed first:

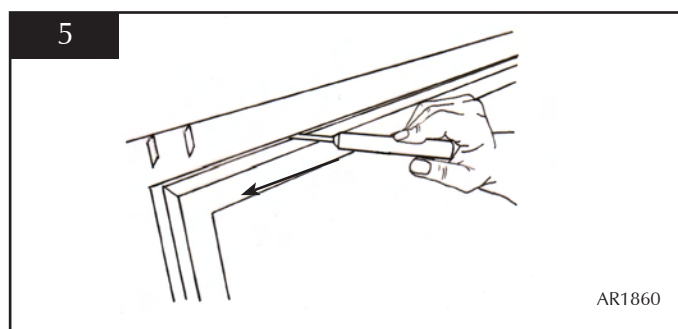
- Lift the frame upwards off its four support brackets, Diagram 4



3.3 **All models**

Using the allen key provided:

- Release the two window locks at the top of the glass door, Diagram 5. The locks to move from shut to open towards the outer edges of the glass door, Diagram 5



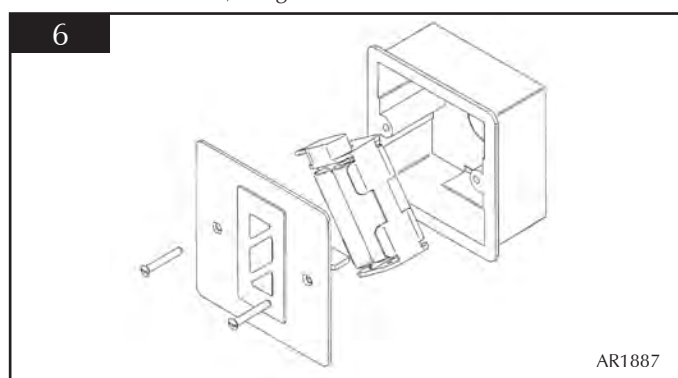
- Support the frame and let it fall gently forward
- Open it down to its stop position

When closing the window ensure the window catches are fully engaged.

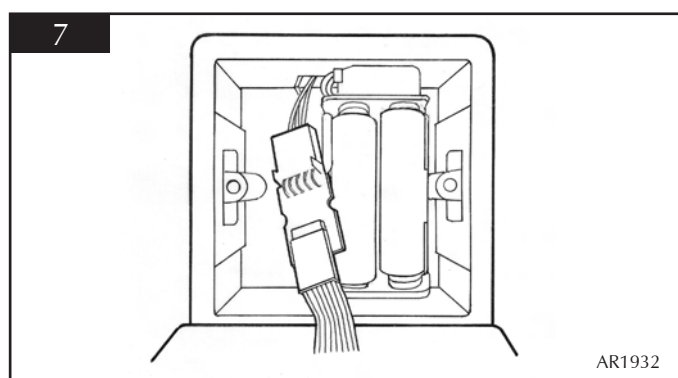
4. CHANGING THE STUDIO BATTERIES

The appliance batteries are located under the polished plate mounting the wall switch.

- Undo the two screws securing the wall switch and plate and remove, Diagram 6



- Correctly position the four new AA size batteries
- Re-assemble the battery holder as shown in Diagram 7
- Ensure the touch pad cable is tucked to the left on fitting the wall plate back onto the wall



USER INSTRUCTIONS

5. ARRANGEMENT OF FUEL BED

- 5.1 If you need to replace pebbles or refill the tray, make sure the pebbles are flattened so they are level with the rim of the tray.

TAKE CARE NOT TO SPILL PEBBLES INTO THE PILOT AREA

ONLY PEBBLES SUPPLIED BY GAZCO CAN BE USED IN THIS FIRE

6. FLAME FAILURE DEVICE

- 6.1 This is a safety feature incorporated on this appliance which automatically switches off the gas supply if the pilot goes out and fails to heat the thermocouple.

7. RUNNING IN

- 7.1 The surface coating on the metal used in your GAZCO fire will "burn off" during the first few hours of use producing a harmless and temporary odour. This will disappear after a short period of use. If the odour persists, ask your installer for advice.

8. SERVICING

- 8.1 The fire must be serviced every 12 months by a qualified Gas Engineer. In all correspondence always quote the Model number and the Serial number which may be found on the data badge.

9. VENTILATION

- 12.1 Any purpose provided ventilation should be checked periodically to ensure that it is free from obstruction.

10. INSTALLATION DETAILS

- 13.1 Your installer should have completed the commissioning sheet at the front of this book. This records the essential installation details of the appliance. In all correspondence always quote the Model number and Serial number.

11. HOT SURFACES

- 14.1 Parts of this appliance become hot during normal use.
- Regard all parts of the appliance as a 'working surface'
 - Provide a suitable fire guard to protect young children and the infirm

12. FIRE WILL NOT LIGHT

- 15.1 If you cannot light the Studio:
- Check that the emergency shut off switch is in the ON (1) position, see *Section 2, Emergency Shut Off*
 - Check and change the batteries in the remote handset
 - Check and change the appliance batteries, Section 4.
- Consult your Gazco dealer if the Studio still does not light.

INSTALLATION INSTRUCTIONS

TECHNICAL SPECIFICATION

COVERING THE FOLLOWING MODELS:

STUDIO 1 BF:

8700BFCHEC

P8700BFCHEC

STUDIO 2 BF:

8701BFCHEC

P8701BFCHEC

Model	Gas CAT.	Gas Type	Working Pressure	Aeration	Injector	Gas Rate m ³ /h	Input kW (Gross)		Country
							High	Low	
Studio 1 BF	12H	Natural G20	20mbar	16 x 23	400	0.600	6.3	3.0	GB, IE
Studio 1 BF	13P	Propane G31	37mbar	14 x 16 (1) 16 x 23 (1)	185	0.230	6.1	3.0	GB, IE
Studio 2 BF	12H	Natural G20	20nbar	14 X 16	600	0.800	8.4	4.3	GB, IE
Studio 2 BF	13P	Propane G31	37 mbar	14 x 16 (1) 16 x 23 (1)	225	0.275	7.3	4.0	GB, IE
Efficiency Class 2 - 81% / NO_x Class 4									
Flue Outlet Size Ø 150mm									
Flue Inlet Size Ø 100mm									
Gas Inlet Connection Size Ø 8mm									

RESTRICTOR REQUIREMENT					
VERTICAL & HORIZONTAL FLUE					
STUDIO 1 BF			STUDIO 2 BF		
Vertical Flue Height	Horizontal Length	Restrictor Size	Vertical Flue Height	Horizontal Length	Restrictor Size
200mm - 500mm	Up to 500mm	No restrictor	700mm - 1490mm	Up to 1000mm	No restrictor
500mm - 1000mm	Up to 1000mm	No restrictor	1500mm - 2490mm	Up to 5000mm	No restrictor
1000mm - 1490mm	Up to 1000mm	70mm Ø	2500mm - 3000mm	Up to 5000mm	75mm Ø
1500mm - 1990mm	Up to 5000mm	70mm Ø			
2000mm - 3000mm	Up to 5000mm	60mm Ø			
TOP EXIT - VERTICAL ONLY INCLUDING OFFSET					
STUDIO 1 BF			STUDIO 2 BF		
Vertical Flue Height	Restrictor Size		Vertical Flue Height	Restrictor Size	
3000 - 4990mm	Ø 52mm		3000mm - 4990mm	Ø 60mm	
5000mm - 10,000mm	Ø 47mm		5000mm - 10,000mm	Ø 52mm	

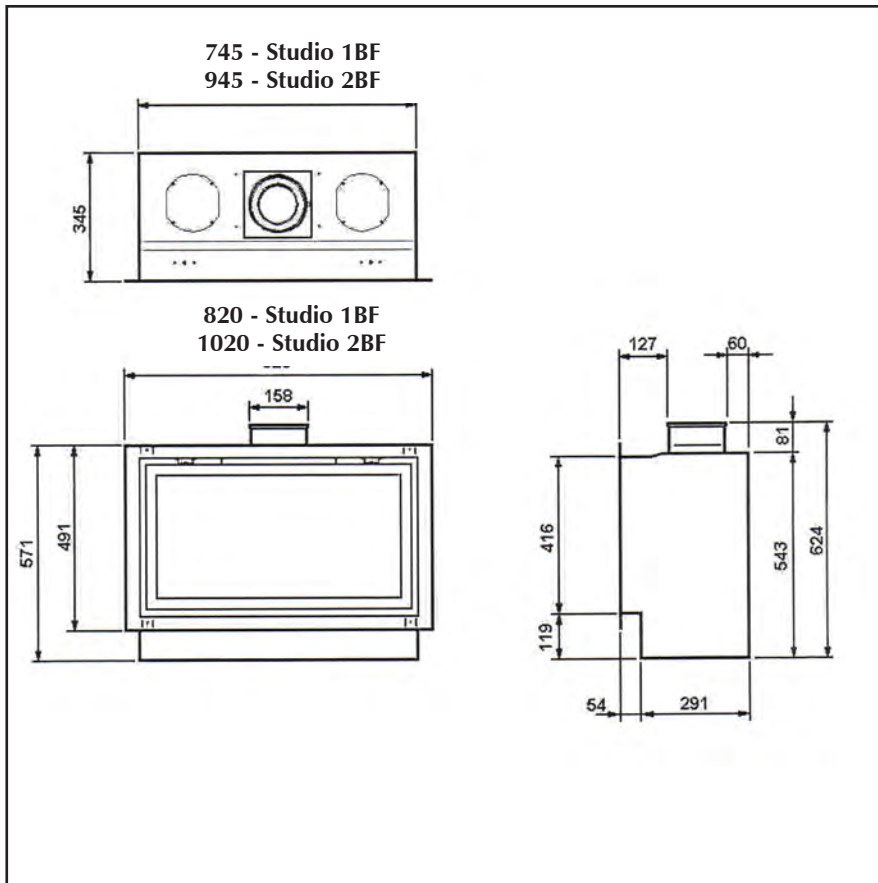
INSTALLATION INSTRUCTIONS

TECHNICAL SPECIFICATION

This appliance has been certified for use in countries other than those stated. To install this appliance in these countries, it is essential to obtain the translated instructions and in some cases the appliance will require modification. Contact Gazco for further information.

PACKING CHECKLIST

Qty Description	Fixing Kit containing:-
1 White Stone Chippings	1 x Instruction Manual 4 x Wood Screws 4 x Rawl Plugs 1 x Handset 4 x AA cell batteries 1 x 9V cell batteries 1 x wall box 1 x touch pad/wall plate 1 x battery holder



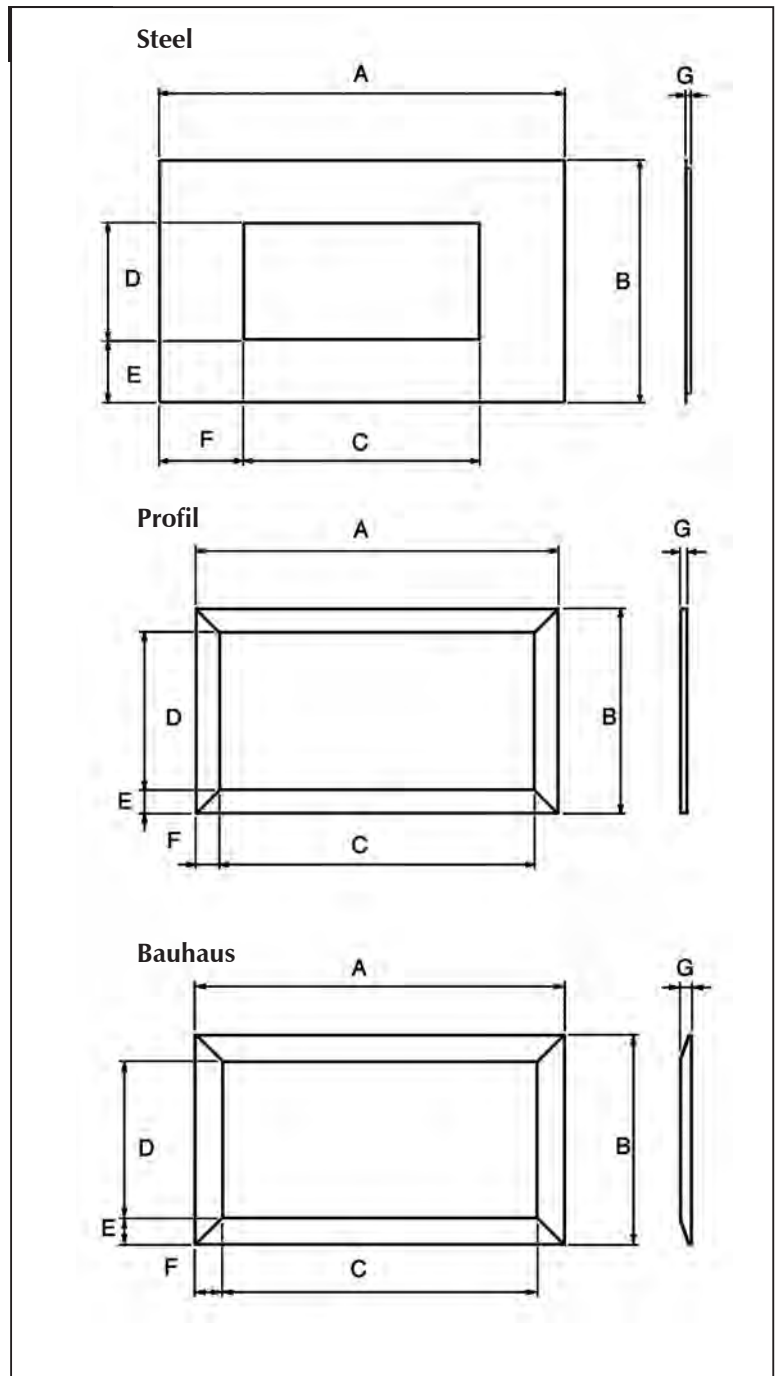
INSTALLATION INSTRUCTIONS

TECHNICAL SPECIFICATION

Steel Frame Dimensions		
Dimension	Studio 1	Studio 2
A	1120	1350
B	675	675
C	646	846
D	320	320
E	177	177
F	237	237
G	25	25

Profil Frame Dimensions		
Dimension	Studio 1	Studio 2
A	836	1036
B	510	510
C	740	940
D	414	414
E	48	48
F	48	48
G	12.5	12.5

Bauhaus Frame Dimensions		
Dimension	Studio 1	Studio 2
A	850	1050
B	524	524
C	740	940
D	414	414
E	55	55
F	55	55
G	28	28



INSTALLATION INSTRUCTIONS

SITE REQUIREMENTS

1. FLUE AND CHIMNEY REQUIREMENTS

Note: This appliance must only be installed with the flue supplied.

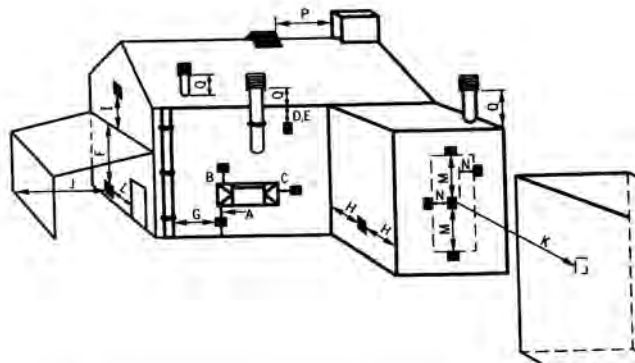
You must adhere to the following:

- 1.1 The flue must be sited in accordance with BS5440: Part 1 (latest edition). See Diagram 1.
- 1.2 Fit a guard to protect people from any terminal less than 2 metres above any access such as level ground, a balcony or above a flat roof.
- 1.3 All vertical and horizontal flues must be securely fixed and fire precautions followed in accordance with local and national codes of practice.
- 1.4 A restrictor may be required. Refer to Technical Specifications on page 12.

- 1.5 Two types of flue terminals are available, horizontal and vertical. To measure for a horizontal terminal:
 - Decide on the terminal position
 - Measure the height from the top of the appliance to the centre of the required outlet.
 For minimum and maximum flue dimensions see Diagram 1A / 1B.
 - Allow enough room either above or to the side of the appliance to assemble the flue on top
 - Assemble a horizontal flue in the following order:
 - Vertical section
 - 90° elbow
 - Horizontal plus terminal
 - Support the opening of a masonry installation with a lintel.
- 1.7 Only the horizontal terminal section can be reduced in size.

1

UK Dimensions



Dimension	Terminal position	Minimum Distance
A*	Directly below an opening, air brick, opening windows, etc.	600mm
B*	Above an opening, air brick, opening windows, etc.	300mm
C*	Horizontally to an opening, air brick, opening windows etc.	400mm
D	Below gutters, soil pipes or drain pipe	300mm
E	Below eaves	300mm
F	Below balconies or car port roof	600mm
G	From a vertical drain pipe or soil pipe	300mm
H	From an internal or external corner	600mm
I	Above group roof or balcony level	300mm
J	From a surface facing the terminal (also see 6.1.2)	600mm
K	From a terminal facing the terminal	600mm
L	From an opening in the car port (e.g. door, window) into the dwelling	1200mm
M	Vertically from a terminal on the same wall	1500mm
N	Horizontally from a terminal on the same wall	300mm
O	From the wall on which the terminal is mounted	N/A
P	From a vertical structure on the roof	600mm
Q	Above intersection with roof	300mm

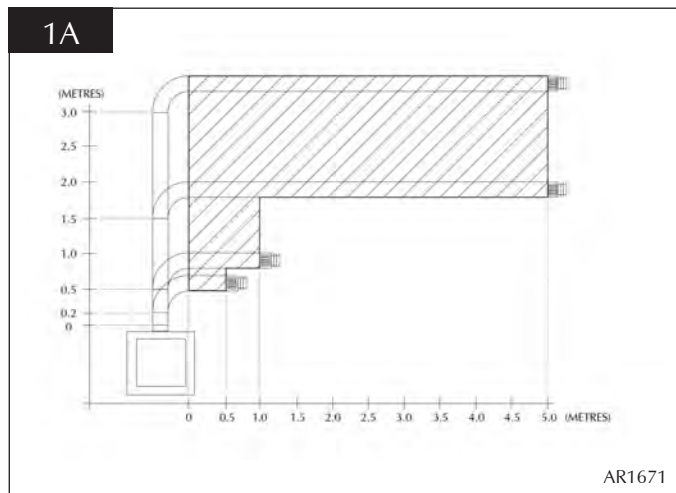
* In addition, the terminal should not be nearer than 300mm to an opening in the building fabric formed for the purpose of accommodating a built-in element such as a window frame.

INSTALLATION INSTRUCTIONS

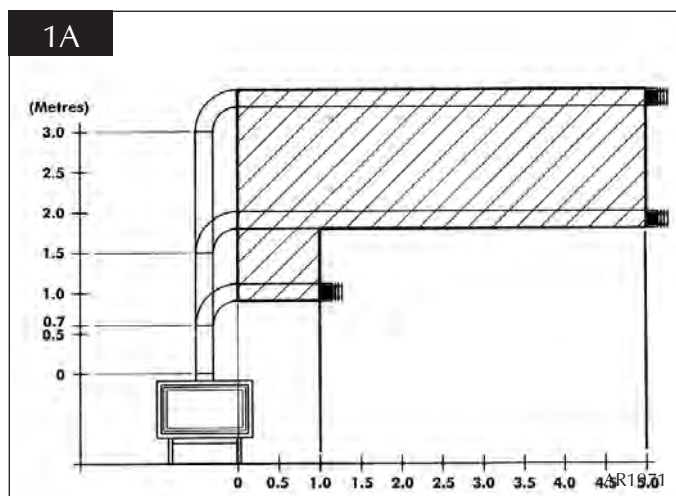
SITE REQUIREMENTS

2. FLUE OPTIONS

STUDIO 1 BF



STUDIO 2 BF



Start of bend to centre line of horizontal flue 170mm.
Centre line of vertical flue to end of bend 220mm.

2.1 TOP FLUE UP & OUT KIT

STUDIO 1 BF (8534/8534AN)

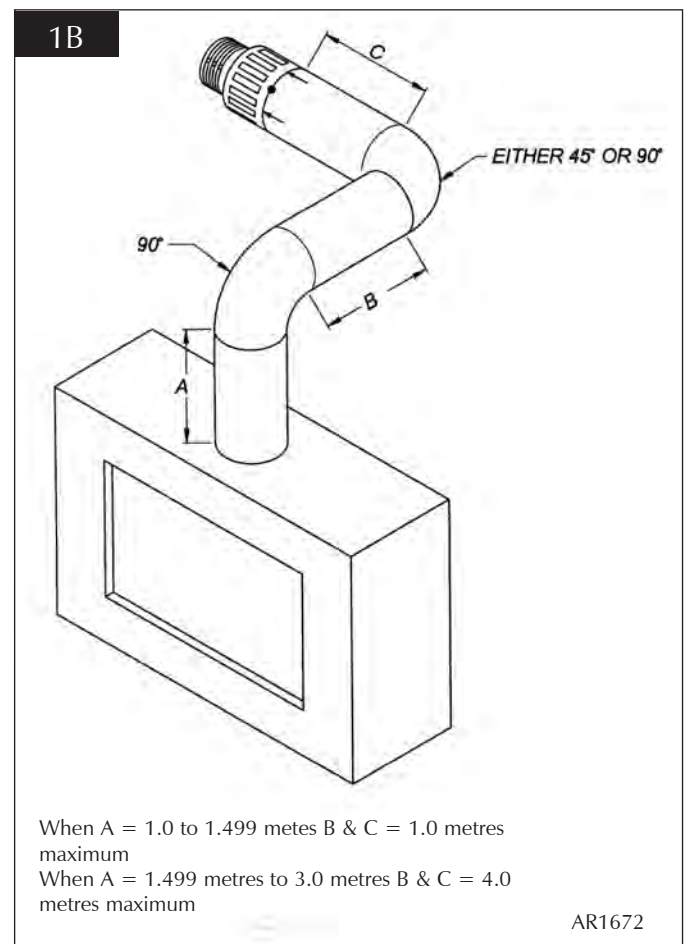
Vertical from the top of the appliance then horizontally out. (See Diagram 1A). The basic kit comprises:

- 1 x 200mm vertical length
- 1 x 500mm terminal length (cut to length on site)
- 1 x 90° elbow
- 1 x wall plate
- 1 x 70mm restrictor
- 1 x 60mm restrictor

STUDIO 2 BF (8509/8509AN)

- 1 x 200mm vertical length
- 1 x 500mm vertical length
- 1 x 500mm terminal length (cut to length on site)
- 1 x 90° elbow
- 1 x wall plate
- 1 x 75mm restrictor

The kit may be used on its own. (Note – STUDIO 1 BF with a 200mm rise only the 500mm terminal length can be used). Extra lengths may be added to the vertical and horizontal from the list below.

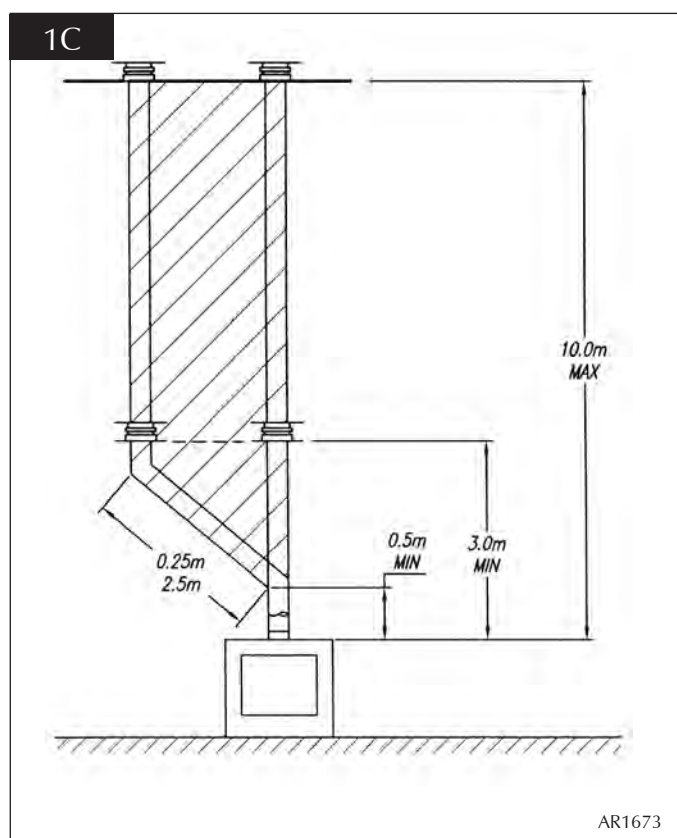


2.2 TOP FLUE UP & OUT WITH ADDITIONAL BEND

Any additional bend may be used on the horizontal section (either 45° or 90°), but the overall horizontal flue run will be reduced. Refer to Diagram 1B.

INSTALLATION INSTRUCTIONS

SITE REQUIREMENTS



2.3 TOP FLUE VERTICAL KIT (8524/8524AN)

Vertical from the top of the appliance (See Diagram 1C).

A minimum vertical rise 3m (9'10") to a maximum 10m (32'10"). The basic kit comprises:

- 2 x 1m lengths
- 1 x 1m terminal length
- 1 x 52mm restrictor
- 1 x 47mm restrictor
- 1 x 60mm restrictor

Extra lengths may be added from the list below.

2.4 TOP FLUE VERTICAL OFFSET KIT (8530/8530AN)

Used with kit 8524. A minimum rise of 500mm (19 1/2") is required to the first bend. See Diagram 1C.

2.5 EXTRA FLUE LENGTHS

All flue components are 150mm diameter (6")

NOMINAL LENGTH	ACTUAL LENGTH	STAINLESS FINISH	ANTHRACITE FINISH
200mm	140mm	8527	8527AN
500mm	440mm	8528	8528AN
1000mm	940mm	8529	8529AN
40° Bend	N/A	8507	8507AN
90° Bend	N/A	8508	8508AN

NOTE: Carefully consider:

- a) Terminal positions
- b) Flue supports
- c) Weatherproofing
- d) Fire precautions

For all the above options, you must conform to local and national codes of practice .

3. GAS SUPPLY

THIS APPLIANCE IS INTENDED FOR USE ON A GAS INSTALLATION WITH A GOVERNED METER.

- 3.1 Before installation, ensure that the local distribution conditions (identification of the type of gas and pressure) and the adjustment of the appliance are compatible.
- 3.2 Ensure the gas supply delivers the required amount of gas and is in accordance with the rules in force.
- 3.3 You can use soft copper tubing on the installation and soft soldered joints outside the appliance and below the fire.
- 3.4 A factory fitted isolation device is part of the inlet connection; no further isolation device is required.
- 3.5 All supply gas pipes must be purged of any debris that may have entered prior to connection to the appliance.
- 3.6 The gas supply enters through the silicone panel located on the LEFT-HAND side of the outer box:
 - Slit with a sharp knife prior to pass the supply pipe through.
- 3.7 The gas supply must be installed in a way that does not restrict the removal of the appliance for servicing and inspection.

4. VENTILATION

- 4.1 This appliance requires no additional ventilation.

INSTALLATION INSTRUCTIONS

SITE REQUIREMENTS/INSTALLATION

5. APPLIANCE LOCATION

5.1 Please note this appliance has been specifically designed for stud work applications. **There are two methods of installation, see *Installation Instructions 3.2 Frame, 3.3 Edge***

5.2 This appliance must stand on a non-combustible hearth/platform that is at least 12mm thick.

NOTE: It is recommended you construct the back panel of the fireplace from natural materials cut into three or more sections to prevent cracking. Resin-based materials may not be suitable. This appliance is an effective heat producer and attention must be paid to the construction and finish of the fireplace.

5.3 A combustible shelf must be:

- maximum 150mm in depth
- minimum, 400mm high above the fire

A combustible side wall must be a minimum of 150mm from the appliance.

5.3 This appliance can be installed with an up and out flue (vertical wall - horizontal flue) or with a vertical flue with roof termination (see flue options, Section 2 *Site Requirements*).

IMPORTANT: REFER TO DATA BADGE AND TECHNICAL SPECIFICATION AT THE FRONT OF THE MANUAL TO ENSURE THE APPLIANCE IS CORRECTLY ADJUSTED FOR THE GAS TYPE AND CATEGORY APPLIED IN THE COUNTRY OF USE.

FOR DETAILS OF CHANGING BETWEEN GAS TYPES REFER TO SECTION 10, **SERVICING**, 'REPLACING PARTS'.

1. SAFETY PRECAUTIONS

1.1 For your own and other's safety, you must install this stove according to local and national codes of practice. Failure to install the stove correctly could lead to prosecution:

- Read these instructions before installing and using this stove.

1.2 These instructions must be left intact with the user.

1.3 Do not attempt to burn rubbish on this appliance.

1.4 Keep all plastic bags away from young children.

1.5 Do not place any object on or near to the appliance and allow adequate clearance above the appliance.

IF THE APPLIANCE IS EXTINGUISHED OR GOES OUT IN USE, WAIT 3 MINUTES BEFORE ATTEMPTING TO RELIGHT THE APPLIANCE.

2. INSTALLATION OF THE APPLIANCE

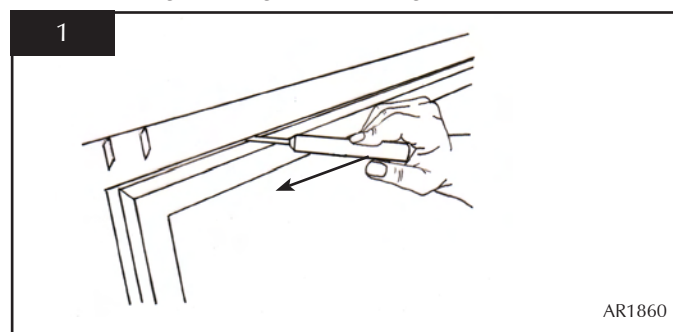
THERE IS AN OPTIONAL DUCT KIT, CODE No. 8572 WHICH CAN BE FITTED AT THE SAME TIME AS THE APPLIANCE INSTALLATION.

2.1 Remove the appliance from the carton and discard all unnecessary packaging. Ensure no components are thrown away when unpacking.

2.2 To open the glass door, use the allen key provided:

- Release the two window locks

The lock needs to be moved from shut to open towards the outer edge of the glass door, Diagram 1

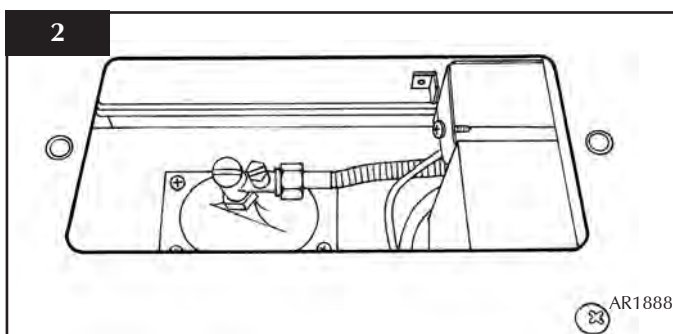
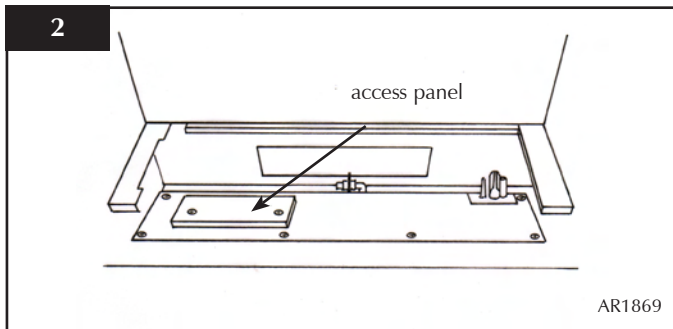


2.3 The gas supply enters the fire through a silicon panel on the floor under the access panel, Diagram 2:

- Slit with a sharp knife before bringing through the supply pipe, Diagram 3

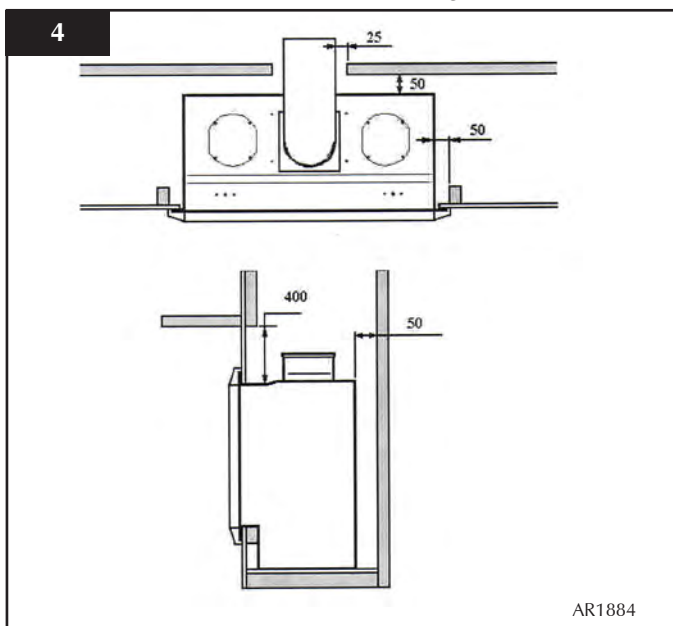
INSTALLATION INSTRUCTIONS

INSTALLATION



3. STUD WORK INSTALLATION

- 3.1 Combustible parts of the stud work must be kept beyond the minimum dimensions shown in Diagram 4. Even if the framework is protected by non-combustible material, you must maintain these dimensions, Diagram 4



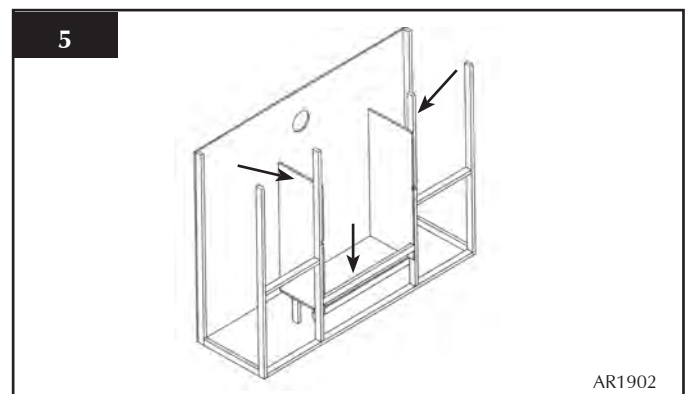
- 3.1.1 **Do not** pack the void around or above the appliance with insulation materials such as mineral wool.

- 3.1.2 THE VOID BUILT FOR THE CASSETTE MUST BE VENTILATED TO PREVENT A BUILD-UP OF HEAT. IF THE VOID IS SEALED, THEN YOU MUST FIT VENTS AT BOTH LOW AND HIGH LEVELS OF APPROXIMATELY 50CM² EACH. THESE VENTS MUST TAKE COLD AIR FROM THE ROOM AND RETURN WARM AIR BACK INTO THE ROOM.
- 3.1.3 AN ACCESS HATCH MUST BE LEFT IN THE SIDE OF THE CHIMNEY BREAST FOR FUTURE SERVICING AND INSPECTION OF THE FLUE AND APPLIANCE.

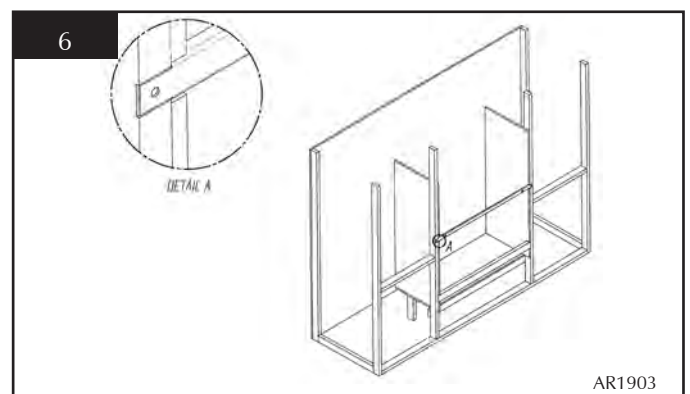
3.2 STUD WORK INSTALLATION METHOD 1 (FRAME)

Build the stud work chimney breast and enclosures to the desired size to include the protected platform at the required height.

- Line the aperture for the appliance with 12mm thick non-combustible material as shown, Diagram 5



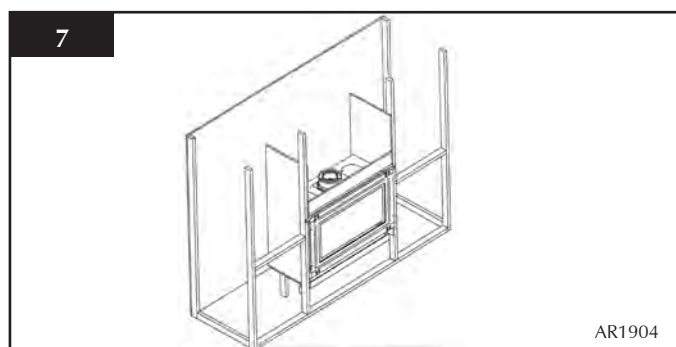
- Ensure the clearances are maintained, see Diagram 4
- Site the appliance and decide on flue requirements
- Cut a hole for the flue exit - see *Installation Instructions, Section 4*
- Provide gas and electric services into the cassette void on the left-hand side
- Mark out the position to fit the supplied top support bar into the stud work at the correct height. This bar needs to be recessed into the stud work, Diagram 6



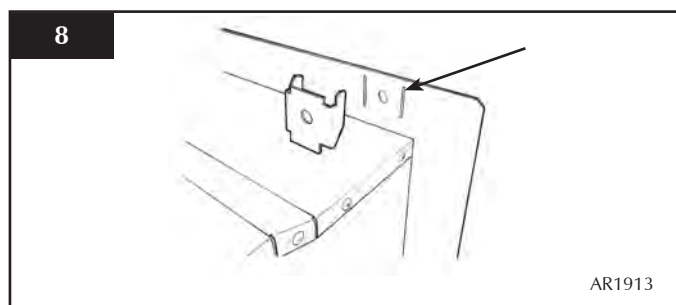
INSTALLATION INSTRUCTIONS

INSTALLATION

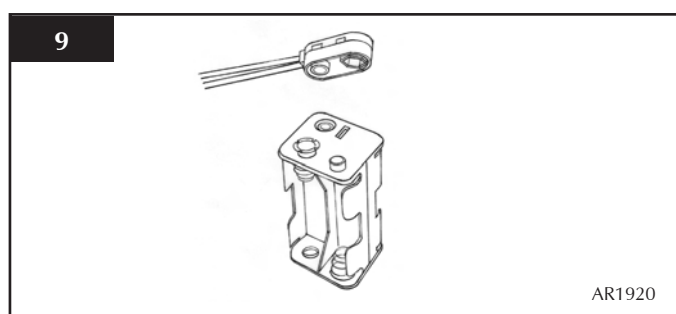
- Fit the supplied top support bar into the stud work at the correct height, Diagram 7, because no combustible material can be used above the fire



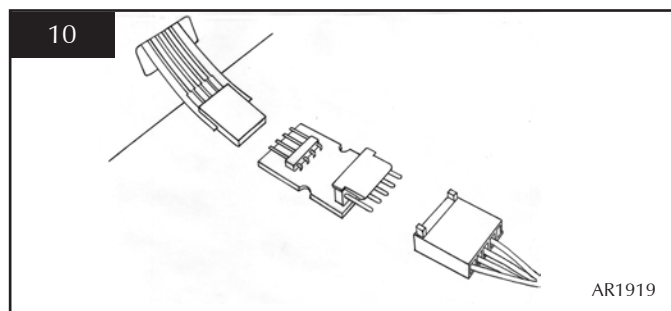
- Attach the 4 frame fixing brackets to the fire, Diagram 8
- Fix foam seal to the outer flange of the fire



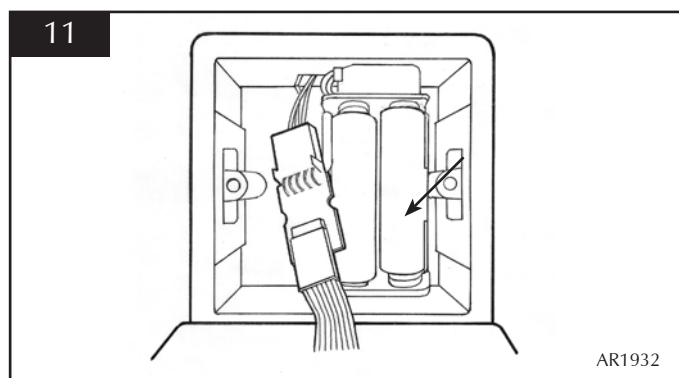
- Position the fire
- Fit non-combustible board to the stud work around the fire. This should extend a minimum of 400mm above the appliance and at least 50mm to the sides of the appliance (from the outer box, not the flanges).
- Apply plasterboard to the remainder of the stud work
- Secure the fire back to the stud work using four screws through flange, bracket, support bar
- Apply a plaster finish to the front of the chimney breast
- Decide on the position for the wall box containing the batteries and wall switch
- Connect the wire from the fire to the battery pack, Diagram 9



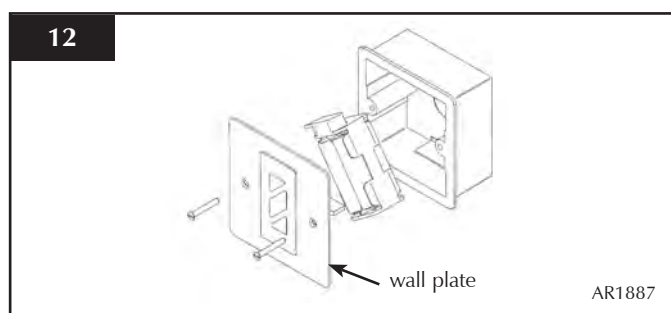
- Connect the wire from the fire to the touch pad/connector, Diagram 10



- Correctly position the four new AA size batteries
- Re-assemble the battery holder as shown in Diagram 11
- Ensure the touch pad cable is tucked to the left on fitting the wall plate back onto the wall



- Secure the wall plate with the touch pad attached to the wall box, Diagram 12



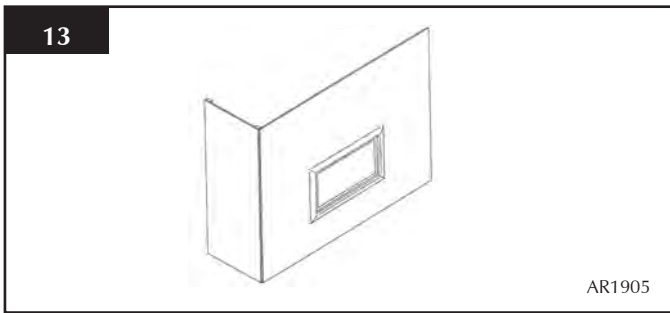
Because of the high temperatures this fire achieves, it is advisable to use marble slips or similar material between the appliance and the plasterboard

Never use a one-piece slip as expansion (even cracking) can occur. If a slip is used, longer screws are needed to secure the appliance.

- Connect the flue system and gas services using the opening in the side of the chimney breast for access. After commissioning, finish the sides of the chimney breast, Diagram 13

INSTALLATION INSTRUCTIONS

INSTALLATION



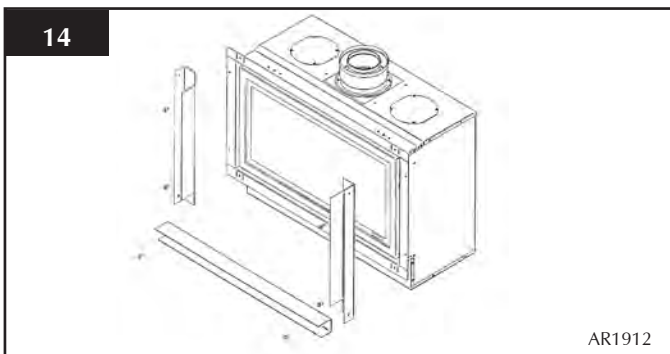
3.3 STUD WORK INSTALLATION METHOD 2 (EDGE)

For this cool-wall Edge installation, the convected heat of the fire is channelled into the chimney cavity and vented at the top.

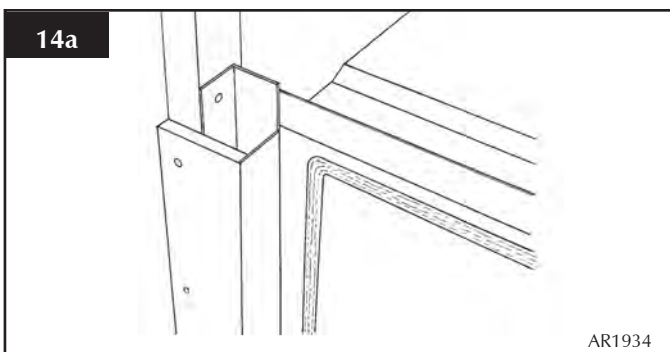
There is an optional Studio Edge Fixing Kit available for installing the fire without a frame. STUDIO 1BF CODE No. 8727BFFK01 STUDIO 2BF CODE No. 8727BFFK02

Using the fixing kit:

- Fit the two side and bottom channels to the front flange of the fire, Diagram 14. There is a deliberate gap at the top for convected heat



This now determines the width of your two vertical stud work supports. The kit has been designed so that plasterboard can be taken to the three channels, Diagram 14A

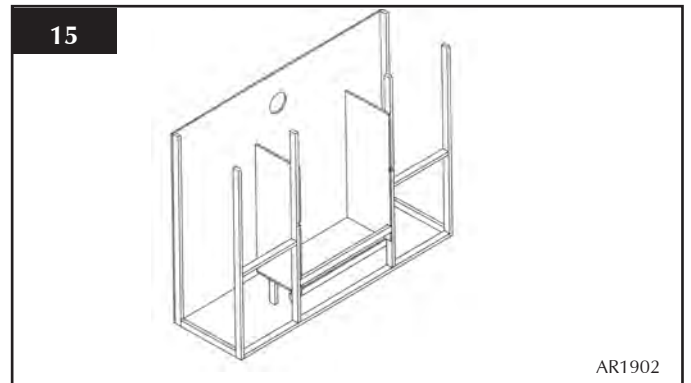


- Fix the edge of the vertical support to the edge of the channel

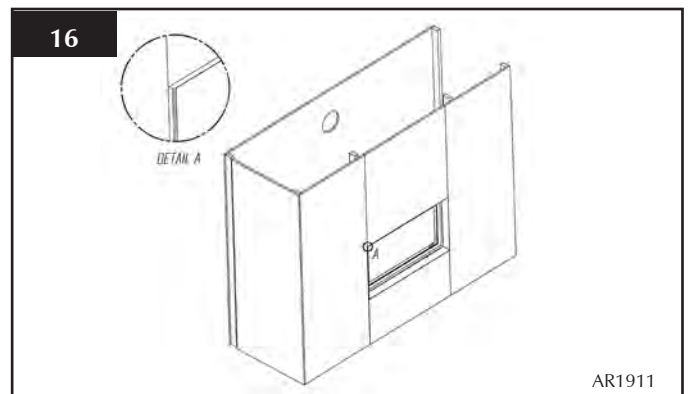
Build the stud work chimney breast to the desired size:

- Ensure all clearances to combustible material are maintained, 3.1 above
- Decide on flue requirements

- Cut a hole for the flue exit - see *Installation Instructions, Section 2, 2.5.*



- Fit non-combustible board to the stud work above the fire. This should extend a minimum of 400mm above the appliance.
 - Fit plasterboard to the remaining chimney breast front
 - Decide on the position for the wall box containing the batteries and wall switch
 - Mount it into the stud work chimney breast connecting up the wires from the fire, see *Stud work Installation with Frame* for wiring detail on previous page
 - Connect the flue system and gas services using the opening in the side of the chimney breast for access.
- After commissioning, finish the sides of the chimney breast, Diagram 16



The top of the chimney breast must have a minimum 200mm² vent.

- Apply a plaster finish to the chimney breast

4. FLUE ASSEMBLY

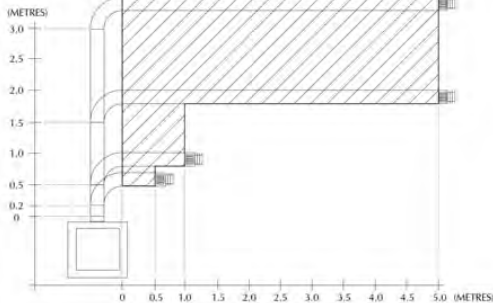
- 4.1 Two types of flue terminals are available, horizontal and vertical. To measure for a horizontal terminal:
- Decide on the terminal position
 - Measure the height from the top of the appliance to the centre of the required outlet.
- For minimum and maximum flue dimensions see Diagram 17A / 17B.

INSTALLATION INSTRUCTIONS

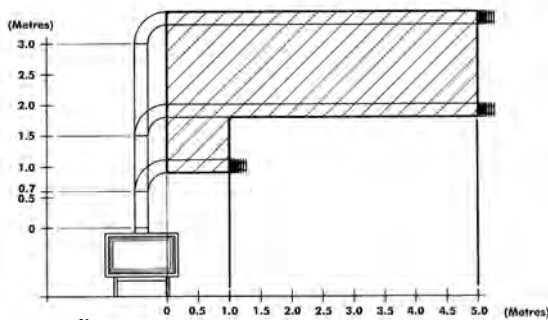
INSTALLATION

17

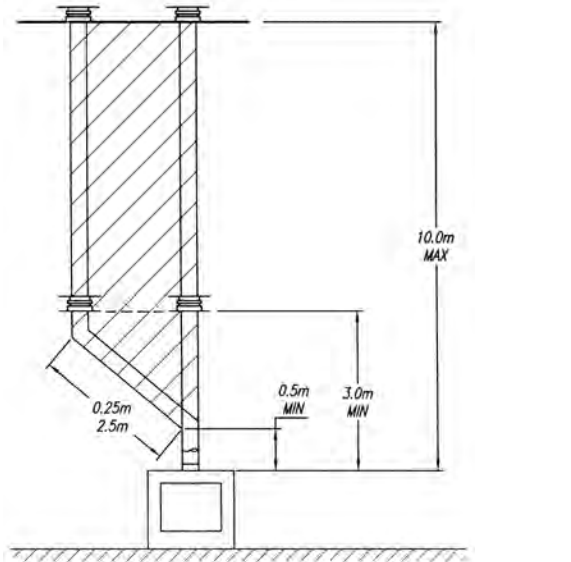
Studio 1 BF



Studio 2 BF



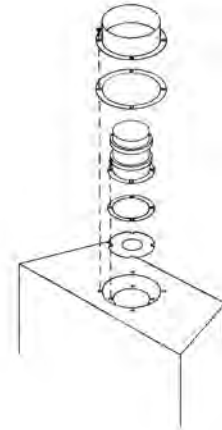
Studio 1 & 2 BF



AR1671, AR1971, AR1673

TAKE CARE WHEN MARKING OUT FOR THE FLUE AS IT IS DIFFICULT TO MOVE AFTER INSTALLATION. IF A RESTRICTOR IS REQUIRED FIT THIS BETWEEN THE SMALL OUTLET SPIGOT AND THE AIR DUCT SEE DIAGRAM 18. REFER TO TECHNICAL SPECIFICATIONS FOR RESTRICTOR SIZE.

18



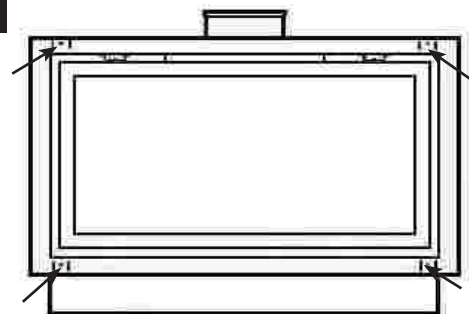
AR0627

- 4.2 A 152mm (6") diameter hole in the wall is required to install the flue. This can be achieved by either:
- Core drill
 - Hammer and chisel
- Drill small holes around the circumference when using method b. Make good both ends of the hole.
- 4.3
- Remove the backing paper from the silicone foam strip supplied in the fixing kit
 - Fix to the back of the outer flanges of the appliance
 - Ensure it is located below the frame location lugs on the top flange. Foam strip may need cutting to length.
- 4.4 **When installing the appliance into a combustible enclosure, ensure all the clearances are observed.**

METHOD 1 (FRAME) ONLY

- Secure the appliance through the four fixing holes using the screws provided. See Diagram 19.

19



AR1914

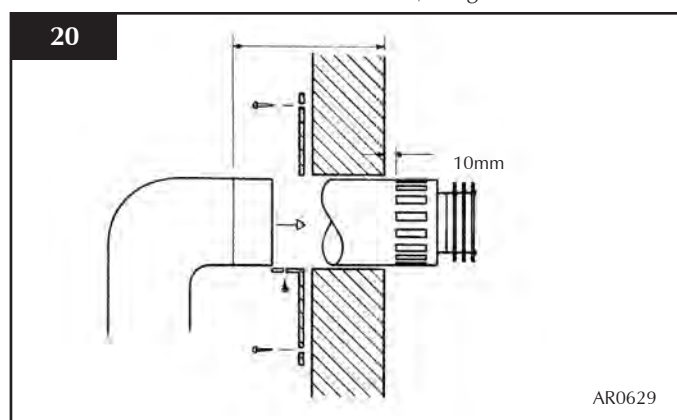
- 4.5
- Allow enough room either above or to the side of the appliance to assemble the flue on top
 - Assemble a horizontal flue in the following order:
 - Vertical section
 - 90° elbow
 - Horizontal plus terminal
 - Support the opening of a masonry installation with a lintel

INSTALLATION INSTRUCTIONS

INSTALLATION

4.6 Only the horizontal terminal section can be reduced in size. To find the length:

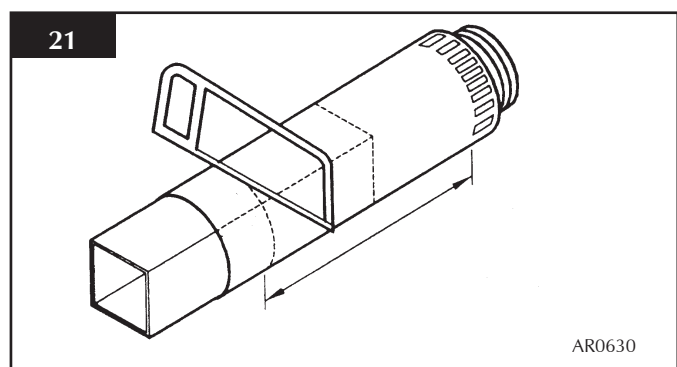
- Measure from the outside of the wall to the stop on the 90°
- **Add 10 mm to the outlet end**
 - Measure from the edge of the slots closest to the wall
 - Mark around the flue, Diagram 20



A wall plate is supplied to fix the flue to the wall:

- Bend the tab to 90°
- Assemble the plate onto the flue but wait to secure to wall and flue after the flue is fully assembled, Diagram 19

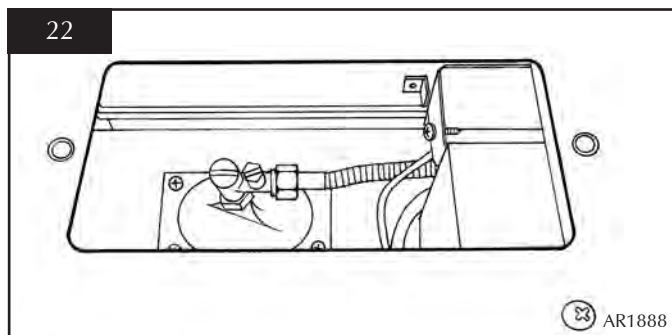
4.7 The cardboard fitment in the terminal is used to support the flue whilst it is cut to length. **ONCE CUT TO SIZE, REMOVE THE CARDBOARD REMNANT**, Diagram 21.



4.8 • Remove the compression elbow from the appliance and connect it to the gas supply pipe.

As the appliance is fitted into the enclosure:

- Pass the elbow and supply pipe through the silicone panel on the LEFT-HAND side.
- **PURGE THE SUPPLY PIPE.** This is essential to expel any debris that may block the gas controls.
- Connect the elbow to the appliance inlet pipe, Diagram 22.

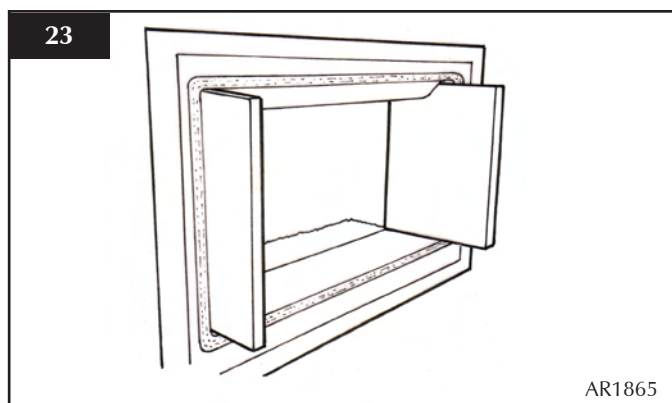


- 4.9
- Connect a suitable pressure gauge to the test point located on the inlet fitting
 - Turn on the gas
 - Light the appliance and check for leaks.
 - Turn the appliance to maximum and check that the supply pressure is as stated on the data badge.
 - Turn off the gas and replace the test point screw
 - Turn the gas back on and check the test point for leaks

5. ASSEMBLING THE APPLIANCE

- 5.1
- Add the pebbles making sure they are flattened so they are level with the rim of the tray
- TAKE CARE NOT TO SPILL PEBBLES INTO THE PILOT AREA
- ONLY PEBBLES SUPPLIED BY GAZCO CAN BE USED IN THIS FIRE

- 5.2 The back panel is already in place:
- Place the bottom panel at the base of the fire
 - Slide the side panels into position

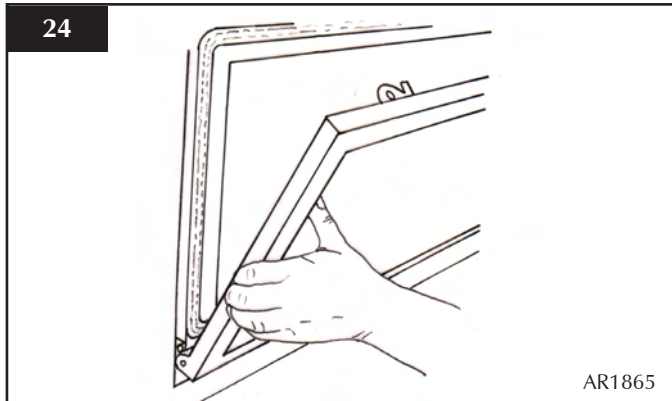


- 5.3 To fit the window frame:
- Keep the frame in the upright position with the locks uppermost

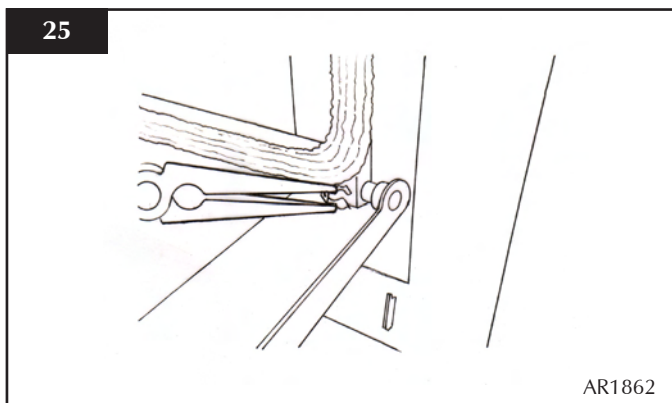
INSTALLATION INSTRUCTIONS

INSTALLATION

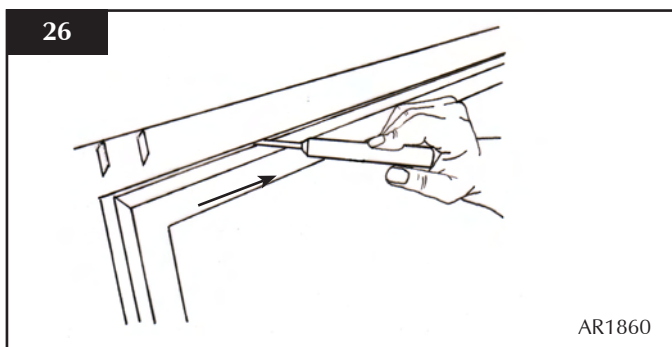
- Offer the frame to the foot of the opening
- Slide the frame to the right to locate the right hinge pin



- 5.4
- Manoeuvre the frame up towards the left side to locate the left hinge pin
 - Slide onto the hinge with a right movement
 - Secure in place with a spring clip at the right hinge pin, Diagram 25



- Close the window
- 5.5 Using the allen key provided:
- Close the window locks by moving from open to shut towards the window centre



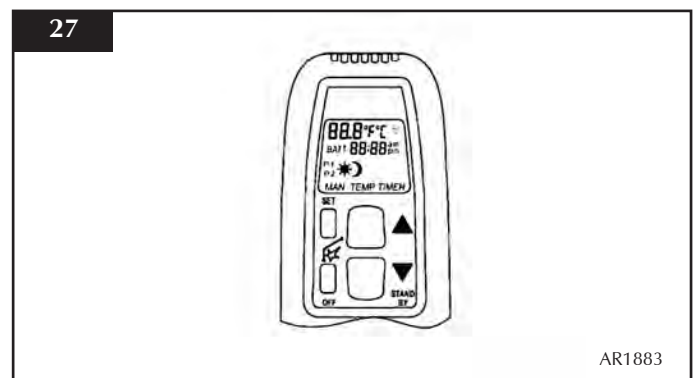
6. LIGHTING THE STUDIO

Note: The Emergency Shut Off switch must be in the ON position, refer to Section 2, User Instructions.

There are two ways of lighting the Studio:

- by thermostatic remote control
- using the fire's touch pad

THERMOSTATIC REMOTE CONTROL



This remote controls the appliance from pilot ignition through to shut down. In 'MANUAL MODE' you can:

- light the pilot
- turn on the main burner
- regulate the flame from low to high and back
- turn off the burner leaving just the pilot burning

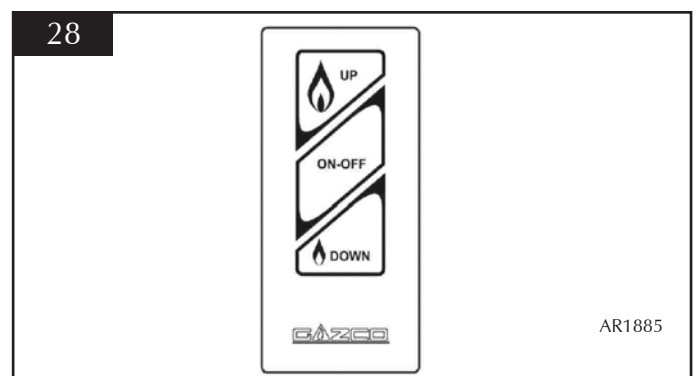
In 'TEMP MODE' you can:

- set the room temperature so the stove automatically maintains that temperature

In 'TIMER MODE' the stove:

- turns on and off according to the set time periods
- automatically regulates the room temperature during the set periods

TOUCH PAD CONTROL



INSTALLATION INSTRUCTIONS

INSTALLATION

- Press the ON-OFF button to light the appliance, (up to 30 seconds)
- Press the UP button to increase the flame height.
- Press the DOWN button to decrease the flame height. At the lowest point it goes to 'standby mode', (only pilot lit)
- Press the ON-OFF button to turn the appliance off.

INSTALLATION INSTRUCTIONS

COMMISSIONING

7. COMMISSIONING

7.1 Complete the Commissioning Checklist at the front of this manual covering:

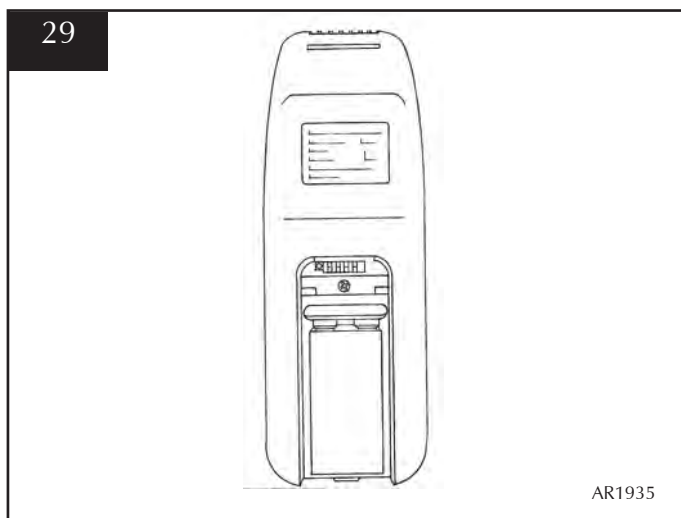
- Flue checks
- Gas checks
- Pebble layout - flame picture

For working pressure test, use the access panel at the gas connection ensuring the burner is in position.

7.2 **In the unlikely event that the appliance is receiving interference from other electronic devices, re-programme the handset/Control box**

Reprogramming handset/Control box

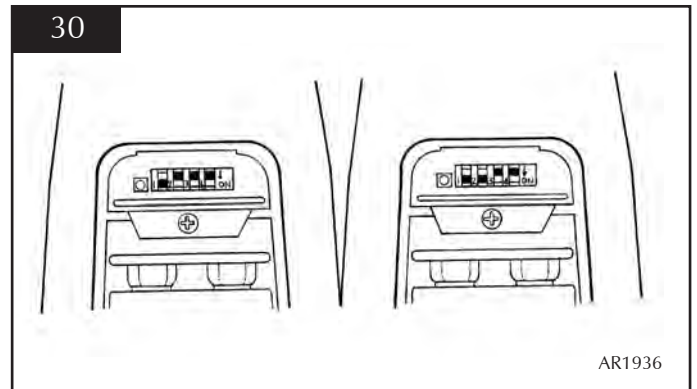
- Remove the battery cover from the handset to see the four DIP switches. See diagram29



Each of the four switches can be set to either one of two positions, in any combination.

To re-code the handset

- Change the combination of how the DIP switches are set. For example see diagram20



Once the handset has a new code the control box needs to be reprogrammed:

To access the control box see *Servicing Instructions, Section 7 - Main Control Assembly*.

- Press and hold the reset button on the control box until you hear two signals. After the second longer signal:
 - Release the reset button and within 20 seconds
 - Press the DOWN button on the handset until you hear an additional long signal confirming the new code

SERVICING INSTRUCTIONS

SERVICING / FAULT FINDING CHARTS

1. SERVICING REQUIREMENTS

This appliance must be serviced at least once a year by a competent person.

All tests must be carried out in accordance with the current CORGI recommendations.

- 1.1 Before any tests are undertaken on the appliance:
- Conduct a gas soundness test for the property to ensure there are no gas leaks prior to starting work
- 1.2 Fully check the operation of the appliance
- Special checks
- 1.2.1 Clean any lint or fluff from the pilot - pay particular attention to the aeration holes of the pilot
- 1.2.2 Clean away any fluff or lint from under the burner
- 1.2.3 Check the spark gap on the pilot is correct
- Correct any faults found during the initial tests
 - Recommission the appliance conducting the usual safety checks
- 1.3 Advise the customer of any remedial action taken.

REPLACE BATTERIES BEFORE ATTEMPTING TO RECTIFY ANY FAULTS.

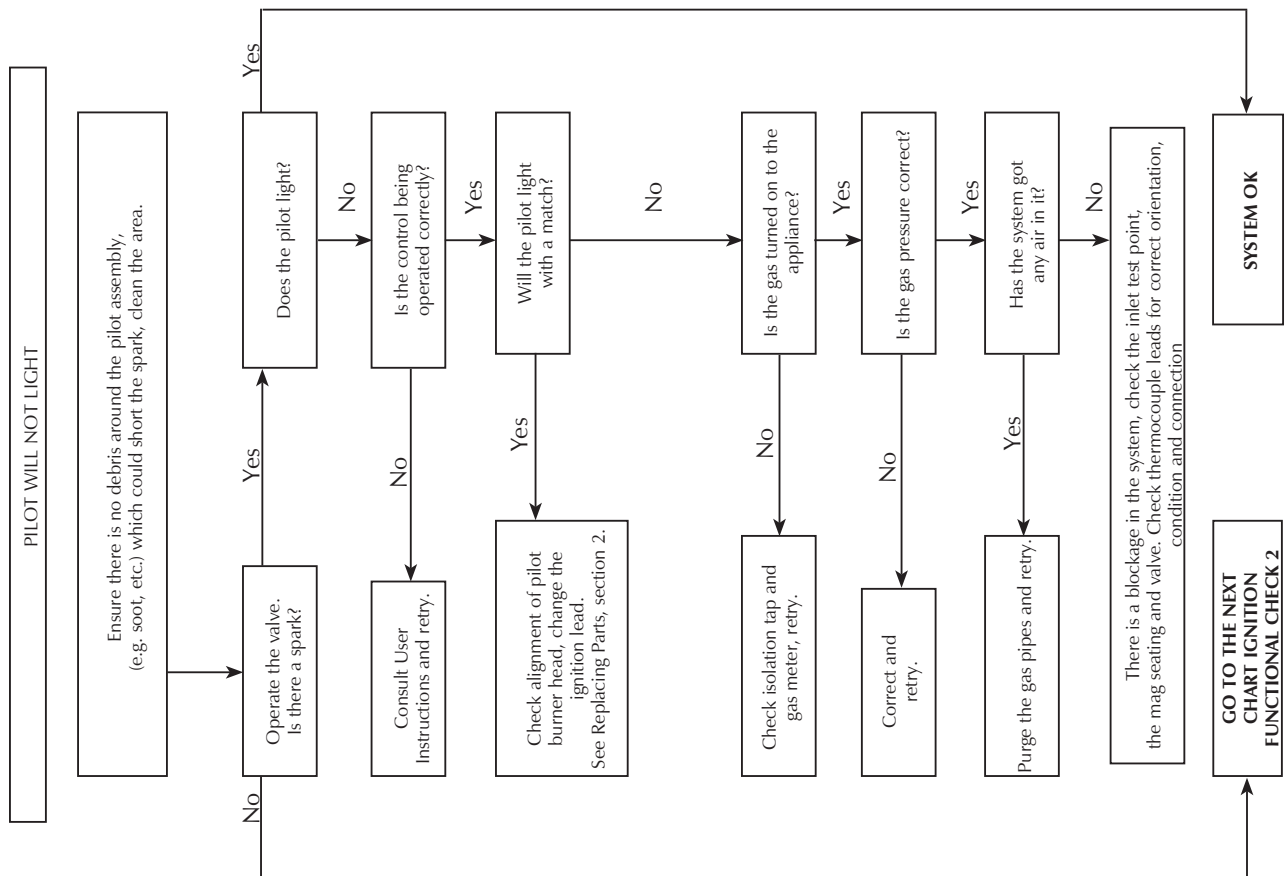
IF THE FIRE DOES NOT WORK, BUT HAS WORKED IN THE PAST:

- CHECK THE EMERGENCY SHUT OFF SWITCH IN THE BOTTOM RIGHT CORNER BY THE DOOR IS SWITCHED ON, SEE USER SECTION, PAGE 6

Electronic Control Valve Fault Analysis

Symptom	Cause	Remedy
3 Short beeps from control	Batteries low in appliance	Replace appliance batteries
No ignition, 5 second continuous tone (there may be several short beeps before)	1. On/Off switch is in OFF position 2. Loose/damaged wire	1. Move switch to ON position 2. Check interrupter block and wires
No ignition, no tone, motor turns slightly when operated	Receiver board damaged	Replace receiver
No pilot flame and control continues to spark	Thermocouple circuit wired incorrectly	Correct wiring
Pilot lights, control continues to spark, valve shuts down after 10 - 30 seconds	1. No spark at pilot burner 2. Loose/damaged wire	1. Rectify spark at pilot burner 2. Check interrupter and wires

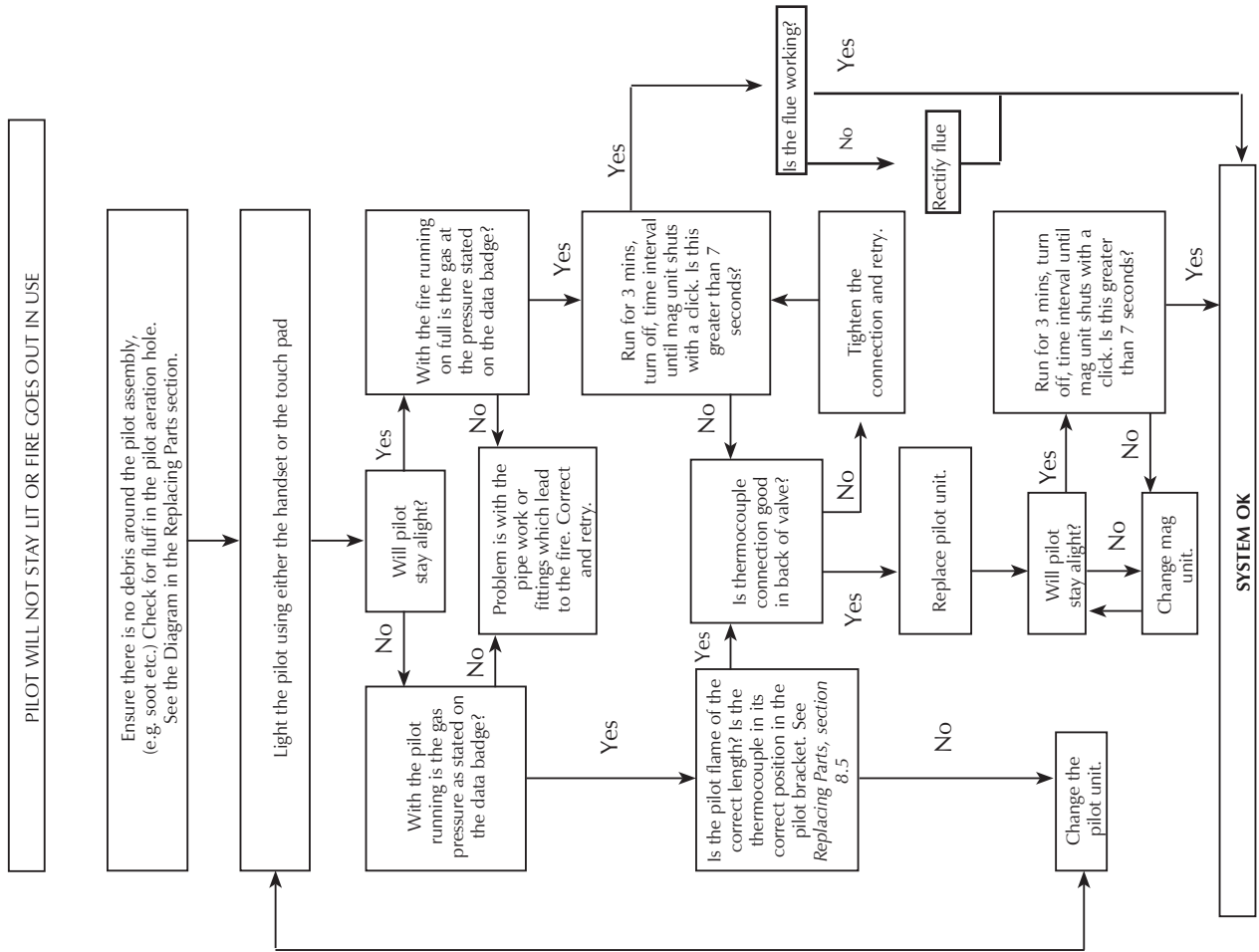
IGNITION FUNCTIONAL CHECK 1



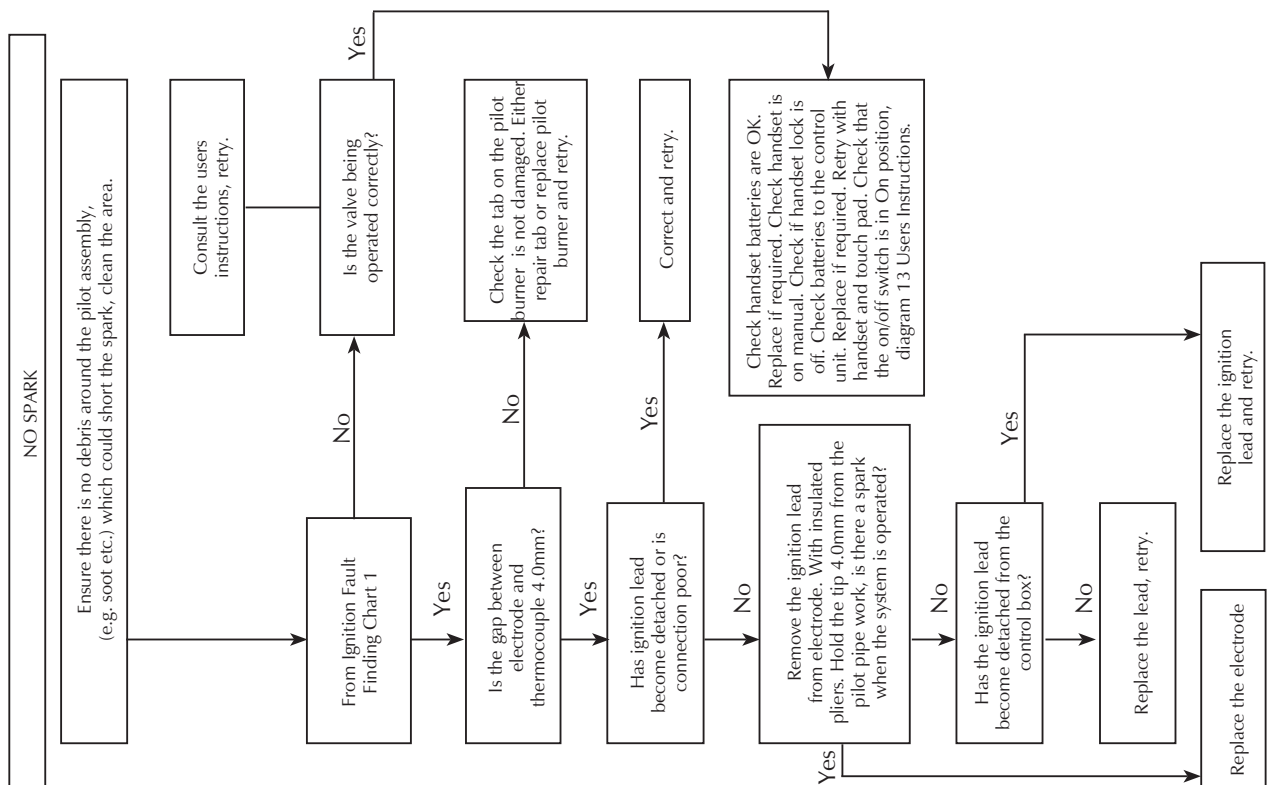
SERVICING INSTRUCTIONS

FAULT FINDING CHARTS

FLAME FAILURE FUNCTIONAL CHECK 3



IGNITION FUNCTIONAL CHECK 2



SERVICING INSTRUCTIONS

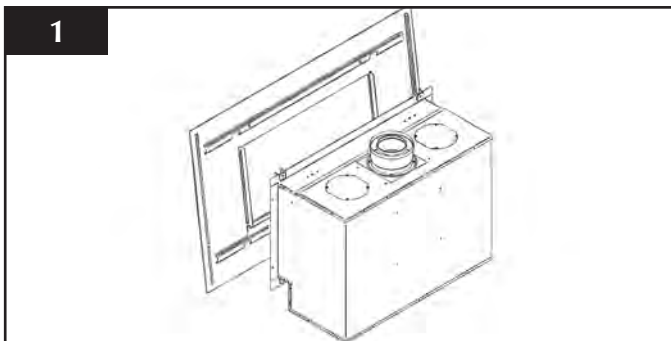
REPLACING PARTS

1. GENERAL

- 1.1 All main components can be replaced without removing the appliance from its installation. **IT IS ESSENTIAL THAT THE GAS SUPPLY TO THE APPLIANCE IS TURNED OFF AT THE ISOLATION DEVICE BEFORE PROCEEDING FURTHER.**
- 1.2 **Removal of Flue**
If, for any reason, the flue has to be removed from the appliance, the seal must be replaced in the inner spigot.
- 1.3 Access to the controls is restricted and the whole of the control assembly is to be removed as one unit. Refer to Section 7 below

2. DECORATIVE FRAME

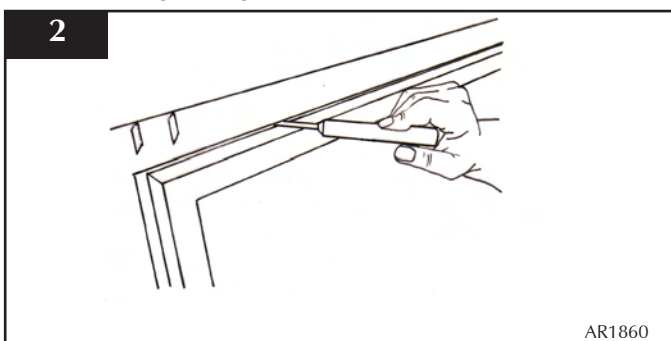
- 2.1 The same method is used to remove each frame.
 - Lift the frame upwards off the four support brackets, Diagram 1



NOTE: THE STEEL FRAME IS HEAVY. TAKE CARE WHEN LIFTING

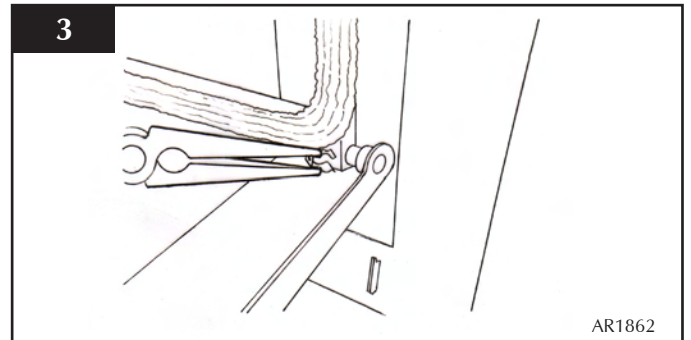
3. WINDOW FRAME ASSEMBLY

- 3.1 To open the glass door, use the allen key provided:
 - Release the two window locksThe lock needs to be moved from shut to open towards the outer edges, Diagram 2



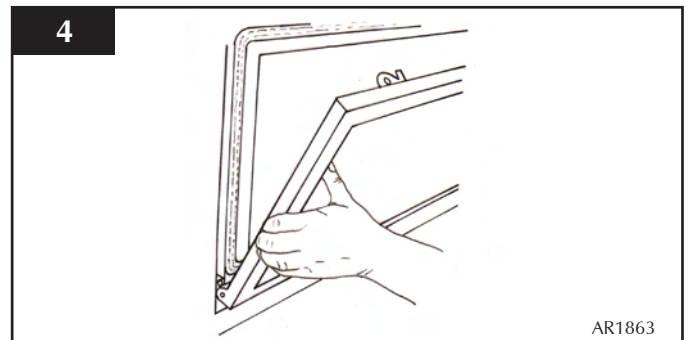
AR1860

- 3.2 To completely remove the glass front:
 - Remove the securing spring clip from the bottom-right of the window frame, Diagram 3



AR1862

- 3.3 With the window frame in an upright position:
 - Slide the frame to the left so that it comes off the left hinge pinStill keeping the frame upright:
 - Drop the left side down and forward slightly, Diagram 4



AR1863

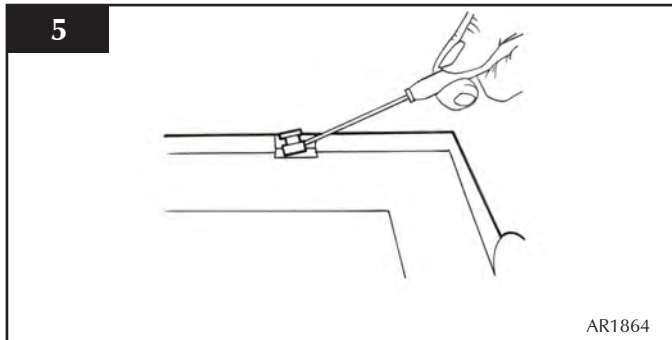
- Slide the frame to the right so that the frame comes off the right hinge pin. The window frame is now free.
- Refit in reverse order

SERVICING INSTRUCTIONS

REPLACING PARTS

4. GLASS WINDOW

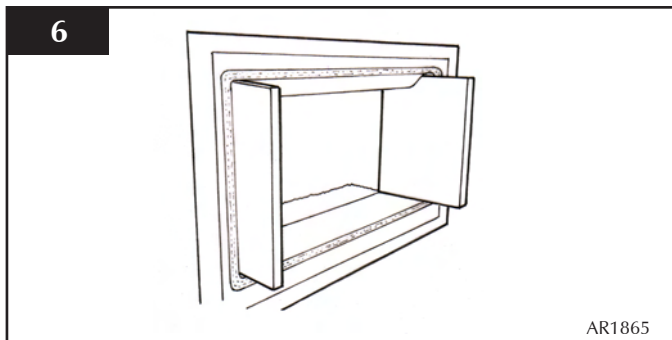
- 4.1 Remove the two clips and brackets from either side of the frame, Diagram 5



- Lift the glass clear from the lock bracket at the top of the frame and slide out

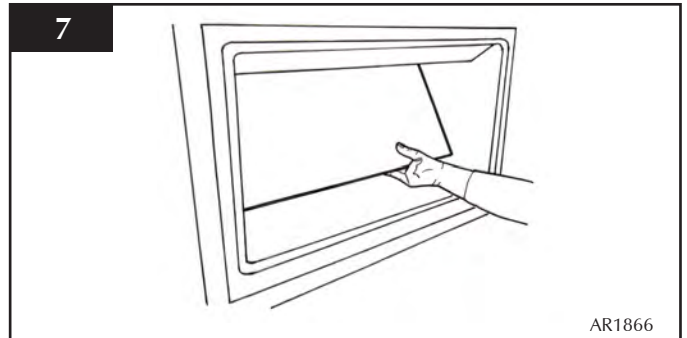
5. BLACK ENAMELLED PANELS

- 5.1 Slide the side panels forward until clear of the appliance, Diagram 6



- 5.2 When you remove the back panel you need to first remove the main burner, see Section 6 below.
- Remove the main burner
 - Slide the lower edge of the back panel forward

7

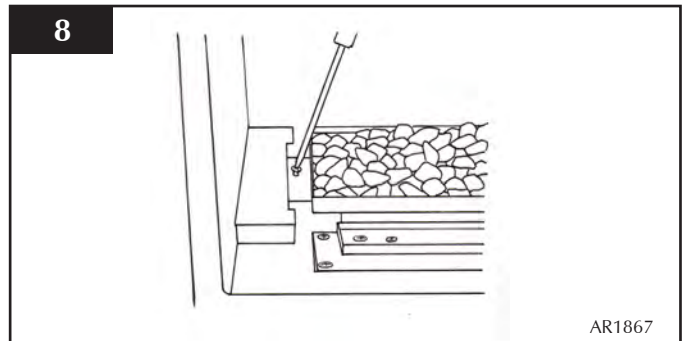


- Lift the panel from the appliance, Diagram 7
- 5.3 To reassemble the panels in reverse order:
- At an angle, slide the top of the back panel into place before the lower edge is pushed back
 - Replace the main burner
 - Replace the bottom panel

6. MAIN BURNER

- 6.1 To replace the main burner:
- Remove the stone pebbles from the burner (optional)
 - Remove the burner securing screw from the left side of the burner, Diagram 8

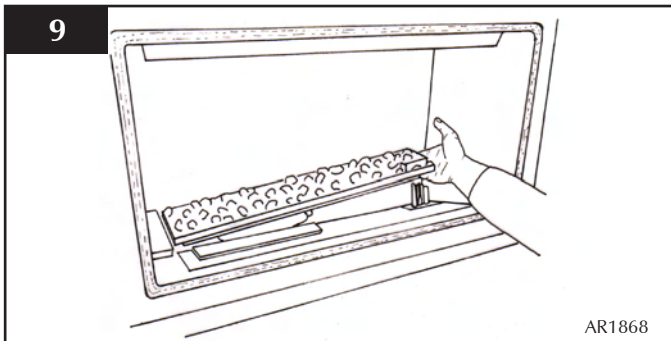
8



- Slide the burner fully to the left
- Lift the right side clear of the pilot, Diagram 9

SERVICING INSTRUCTIONS

REPLACING PARTS



- Slide the burner to the right and out of its location
- Refit in reverse order

When refilling the stone pebbles, fill to the level of the rim of the burner tray and flatten level.

Ensure no stone pebbles fall into the pilot area.

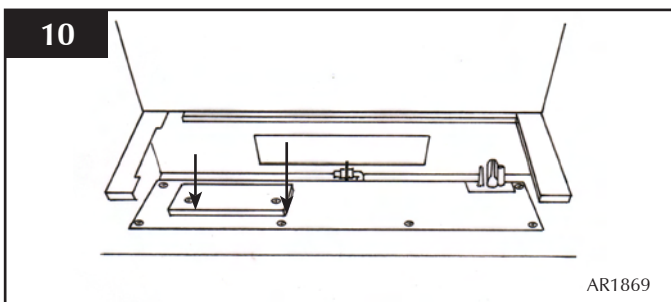
7. MAIN CONTROL ASSEMBLY

7.1 To access the main control assembly, first remove:

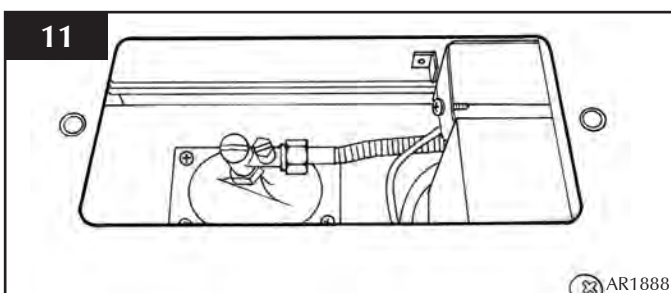
- the decorative frame
- window frame
- enamelled panels
- main burner

7.2 To remove the access panel:

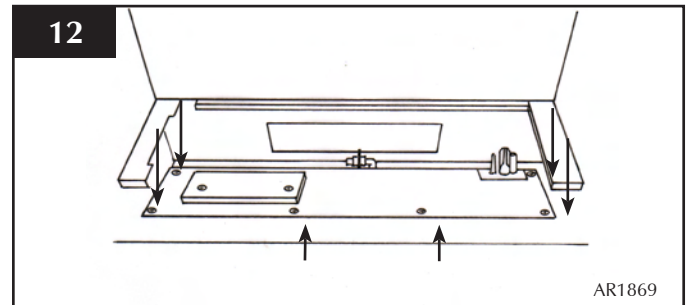
- Undo the two screws, Diagram 10
- **Note the orientation of the access panel with the return edges facing forward**



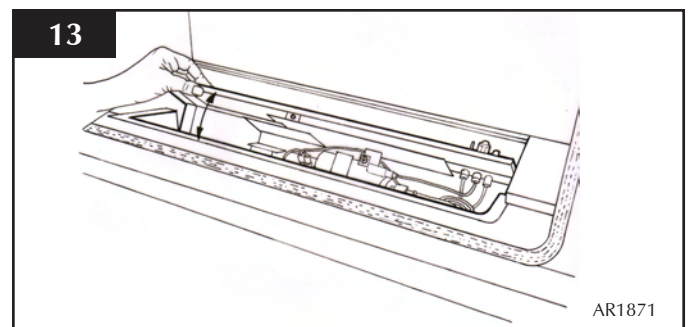
7.3 Isolate the gas supply at the isolation device and disconnect the gas inlet, Diagram 11.



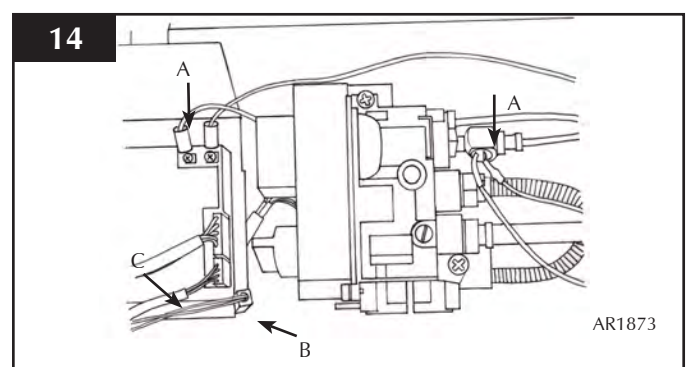
7.4 Remove the six screws securing the control assembly, Diagram 12.



7.5 The control panel can now be tilted back to reveal the controls, Diagram 13



7.6 Disconnect the two cables marked 'A' in Diagram 14.



- Disconnect the battery extension lead, Diagram 14, B
 - Disconnect the touch pad extension lead, Diagram 14, C
- The control assembly can now be lifted up and removed.
- Reassemble in reverse order

SERVICING INSTRUCTIONS

REPLACING PARTS

8. PILOT UNIT ASSEMBLY

8.1 The pilot assembly consists of four components which can be individually changed:

1. Pilot burner bracket
2. Pilot injector
3. Electrode
4. Thermocouple

Before commencing work on the pilot the Main Control Assembly must be removed, see Section 7 above.

8.2 Pilot Burner Bracket

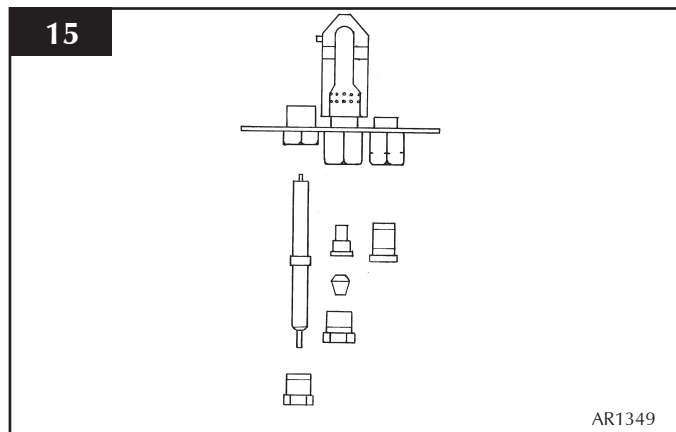
- Remove the electrode, see paragraph 8.3
- Remove the thermocouple, see paragraph 8.5
- Remove the pilot pipe
- Remove the two screws securing the bracket

The pilot burner bracket can now be removed.

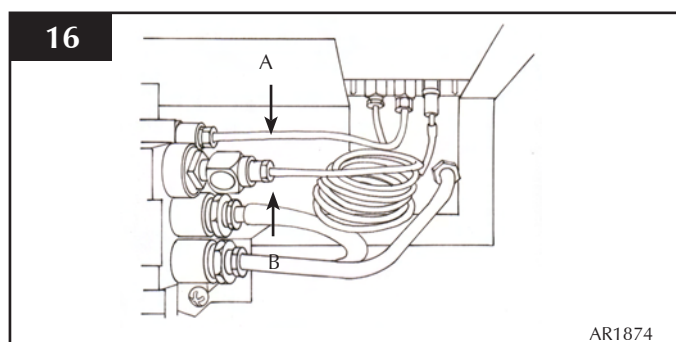
- Replace in reverse order
- Check the pilot gasket and if damaged, replace with a new one

8.3 Electrode

- Pull the ignition lead off the electrode and undo the retaining nut, Diagram 15



- Replace with a new electrode. Do not over-tighten the nut; this could break the component
- Replace the ignition lead



8.4 Pilot Injector

- Undo the pilot pipe from the gas valve and from the underside of the pilot burner, Diagram 16
- Remove the pipe and the injector drops out from the burner

8.5 Thermocouple

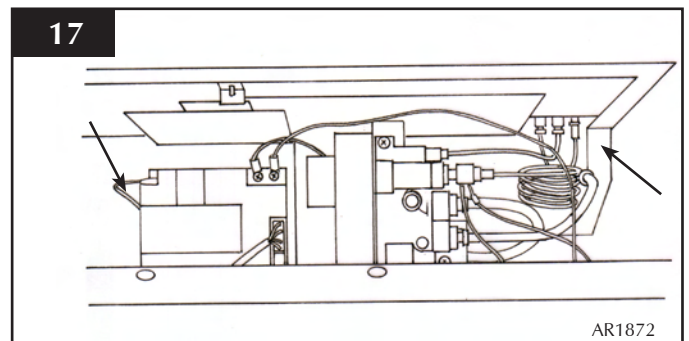
- Disconnect the thermocouple from the gas valve/interrupter, Diagram 16, Arrow B
- Undo the thermocouple nut in the back of the pilot bracket half a turn. This releases the thermocouple.

When replacing with a new thermocouple, take care to bend the new component to the same shape as the thermocouple just removed.

To refit the thermocouple into the pilot bracket, ensure it is pushed fully into the hole. There is a stop on the thermocouple to set the height.

- Lock the retaining nut just enough to grip the thermocouple
- Connect the thermocouple to the valve/interrupter and **take care not to over-tighten**

9. IGNITION LEAD



9.1 To replace the ignition lead:

- Release the Main Control Assembly and tilt backwards, see Section 7 above
- Remove the ignition lead from the control box, Diagram 17
- Remove the ignition lead from the electrode, Diagram 17

Note the direction of the lead. The new lead must follow exactly the same route.

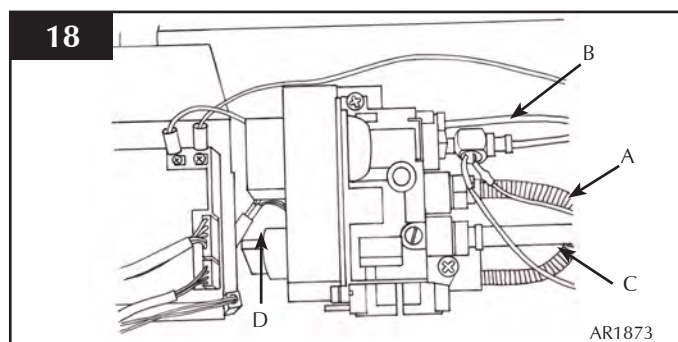
NOTE: THE IGNITION LEAD MUST NOT PASS IN FRONT OF THE CONTROL BOX AS THIS CAN DAMAGE THE SENSITIVE ELECTRONICS.

SERVICING INSTRUCTIONS

REPLACING PARTS

10. GAS VALVE

- 10.1 To change the gas valve:
- Remove the control assembly, Section 7
 - Release the gas inlet pipe, Diagram 18, Arrow A
 - Remove the thermocouple from the interrupter block and release the second thermo current cables
 - Release the pilot pipe, Diagram 18, B
 - Release the injector feed pipe, Diagram 18, C
 - Remove the wire cable, Diagram 18, D
 - Remove the two screws
- The valve can now be freed.

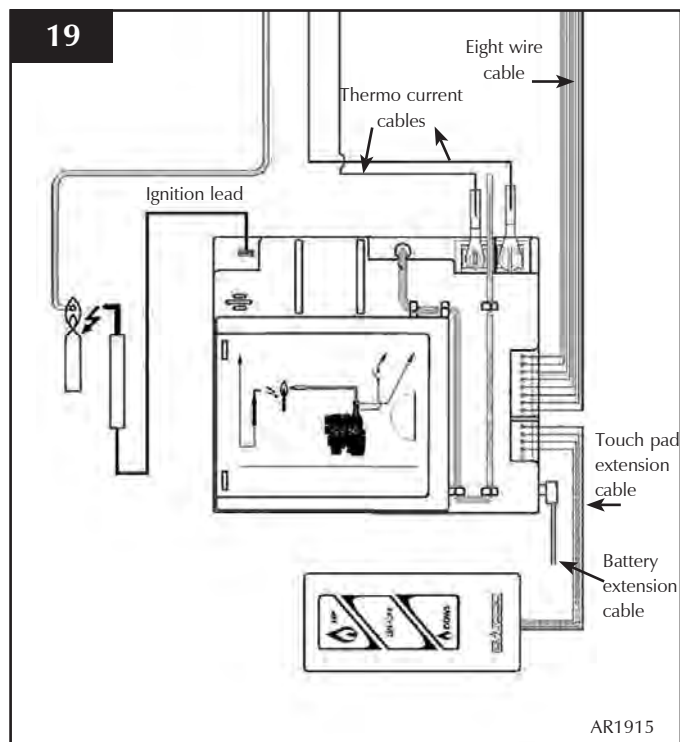


11. MAGNETIC SAFETY VALVE

- 11.1 To replace the magnetic safety valve:
- Undo the thermocouple from the interrupter block and remove the two thermo current cables
 - Unscrew the interrupter block from the back of the valve
 - Undo the silver magnetic valve retaining but on the back of the valve.
 - Gently tap out the mag valve
 - Replace with a new unit
 - Reassemble in reverse order

12. CONTROL BOX

- Remove the two thermo current cables by removing the two screws, Diagram 19
- Remove the ignition lead, Diagram 19
- Remove the eight loom wire from the control box, Diagram 19



- Remove the battery extension cable, Diagram 19
 - Remove the touch pad extension cable
- The control box can now be replaced.
- After replacing the control box you may need to reprogram the handset:
- Press and hold the reset button on the control box until you hear two signals. After the second longer signal:
 - Release the reset button and within 20 seconds
 - Press the DOWN button on the handset until you hear an additional long signal confirming the new code

SERVICING INSTRUCTIONS

REPLACING PARTS

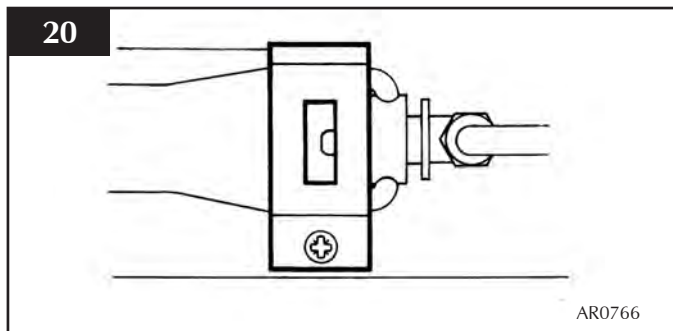
13. MAIN INJECTOR

- 13.1 To change the main injector:
- Undo the injector fee pipe
 - Undo the lock nut from the injector
 - Replace with the correct size injector

14. PRIMARY AERATION PLATE

NOT ALL MODELS HAVE AERATION PLATES. REFER TO NOTE AT BEGINNING OF INSTALLATION INSTRUCTIONS.

- 14.1 Remove the burner module as described in Servicing section 2.
- 14.2 Remove the fixing screw and slide the plate off the venturi.
- 14.3 Replace with the correct size plate and secure with the screw. Ensure the lower edge of the plate is located over the venturi flange. See diagram 20.



15. CHANGING BETWEEN GAS TYPES

In order to change between gas types, it will be necessary to change the following items:

Burner Unit

Pilot Injector

Control Valve

Injector

Aeration Plate (if required)

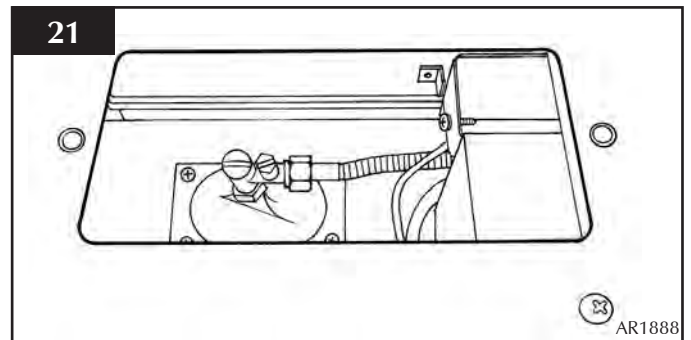
Data badge

A kit of parts is available for this, always quote the Model number and Serial number when ordering any spare parts.

NOTE: THE CONTROL VALVE IS FACTORY PRESET FOR THE CORRECT GAS TYPE AND MODEL, A NEW UNIT WILL NEED TO BE ORDERED WHEN CHANGING BETWEEN GAS TYPES.

16. PRESSURE AND LEAK TESTING THE APPLIANCE

- 16.1 Follow **Section 7, Main Control Assembly, 7.1 and 7.2**
- Access to the pressure test point can now be reached, Diagram 21



- 16.2 To leak test any gas joints on the appliance, the control assembly must first be undone and tilted backwards, see Section 7, 7.5 Diagram 13
- 16.3 Because there is now no burner fitted to perform a leak test, place a manometer tube over the injector tip.
- Light the appliance and spray any joints with leak detector fluid
 - Tighten joints or replace as required

SERVICING INSTRUCTIONS

REPLACING PARTS

15. SHORT SPARES LIST

COMPONENT	STUDIO 1 BF		STUDIO 2 BF	
	NG	LPG	NG	LPG
PILOT INJECTOR	PI0069	PI0070	PI0069	PI0070
MAIN INJECTOR	IN0007	IN0040	IN0005	IN0041
BURNER ASSEMBLY	GZ5983	GZ6363	GZ6417	GZ6418
AERATION PLATE	G20 - N/A	G30 - N/A	G20 - GZ2025	G31 - GZ2025
	G25 - GZ3869	G31 - GZ2025	G25 - GZ2016	
ELECTRODE	PI0075		PI0075	
THERMOCOUPLE	PI0077		PI0077	
MAG UNIT	GC0092		GC0092	
IGNITION LEAD	GC0125		GC0125	
GAS VALVE	GC0123		GC0123	
CONTROL BOX	GC0129		GC0129	
REMOTE CONTROL	GC0131		GC0131	
INTERRUPTOR BLOCK	GC0124		GC0124	
THERMOCURRENT CABLE	GC0126		GC0136	GC0126
THERMOCURRENT SWITCH CABLE	GC0128		GC0128	
TOUCH PAD AND LEAD	GC0130		GC0130	
BATTERY HOLDER	EL0410		EL0410	
BATTERY HOLDER CABLE	GC0127		GC0127	
CONTROL BOX/VALVE CABLE	GC0133		GC0133	
REAR ENAMELLED PANEL	GZ6491		GZ6622	
SIDE ENAMELLED PANEL	GZ6492		GZ6830	
BASE ENAMELLED PANEL	GZ6493		GZ6623	
STONE PEBBLES	CE0579		CE0579	

SERVICE RECORDS

1ST SERVICE

Date of Service:.....
Next Service Due:.....
Signed:.....
Dealer's Stamp/CORGI Registration Number

2ND SERVICE

Date of Service:.....
Next Service Due:.....
Signed:.....
Dealer's Stamp/CORGI Registration Number

3RD SERVICE

Date of Service:.....
Next Service Due:.....
Signed:.....
Dealer's Stamp/CORGI Registration Number

4TH SERVICE

Date of Service:.....
Next Service Due:.....
Signed:.....
Dealer's Stamp/CORGI Registration Number

5TH SERVICE

Date of Service:.....
Next Service Due:.....
Signed:.....
Dealer's Stamp/CORGI Registration Number

6TH SERVICE

Date of Service:.....
Next Service Due:.....
Signed:.....
Dealer's Stamp/CORGI Registration Number

7TH SERVICE

Date of Service:.....
Next Service Due:.....
Signed:.....
Dealer's Stamp/CORGI Registration Number

8TH SERVICE

Date of Service:.....
Next Due:.....
Signed:.....
Dealer's Stamp/CORGI Registration Number

9TH SERVICE

Date of Service:.....
Next Service Due:.....
Signed:.....
Dealer's Stamp/CORGI Registration Number

10TH SERVICE

Date of Service:.....
Next Service Due:.....
Signed:.....
Dealer's Stamp/CORGI Registration Number

Gazco Limited, Osprey Road, Sowton Industrial Estate, Exeter, Devon, England EX2 7JG
Tel: (01392) 261999 Fax: (01392) 444148 E-mail: info@gazco.com

A member of the Stovax Group

Free Manuals Download Website

<http://myh66.com>

<http://usermanuals.us>

<http://www.somanuals.com>

<http://www.4manuals.cc>

<http://www.manual-lib.com>

<http://www.404manual.com>

<http://www.luxmanual.com>

<http://aubethermostatmanual.com>

Golf course search by state

<http://golfingnear.com>

Email search by domain

<http://emailbydomain.com>

Auto manuals search

<http://auto.somanuals.com>

TV manuals search

<http://tv.somanuals.com>