



Steel Frame Installation Instructions

For use with the E-Studio™
and E-Studio™ Balanced Flue

Gazco Limited, Osprey Road, Sowton Industrial Estate, Exeter, Devon, EX2 7JG
Tel: 01392 261 999 Fax: 01392 444 148 E-mail: info@gazco.com

A Member of the Stovax Group

USER INSTRUCTIONS

CONTROLS & BATTERY ACCESS

To access the fire's controls a slight upwards lift may be needed to unlatch the frame:

- Swing the door open, (note it is hinged on the left)

Details of the fire's controls are given in the *User* section of the fire's Instruction manual.

Details for replacing Batteries can be found in the upgradeable control manual.

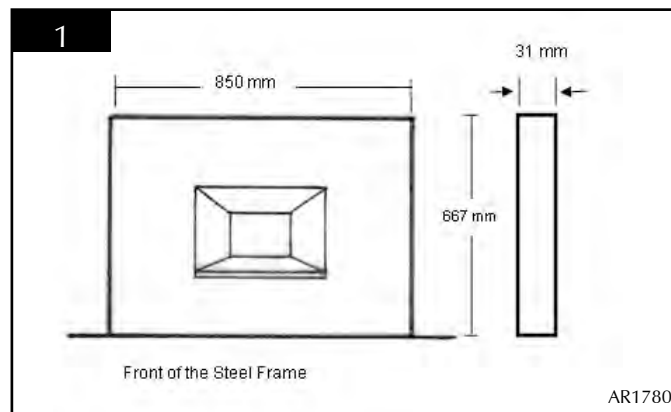
CLEANING THE FRAME

The frame should be cleaned using a damp cloth and buffed with a lint free duster.

INSTALLATION INSTRUCTIONS

COVERING model no: 8695GP

1. GENERAL



- 1.1 These instructions are supplemental to and must be read in conjunction with the **Installation Instructions** supplied with the fire. Read both thoroughly before installing the fire.
- 1.2 Fitting of this decorative front should be carried out after the fire has been installed and commissioning tests completed.
- 1.3 Diagram 1 shows the front view, the approximate dimensions of the frame and its side view.

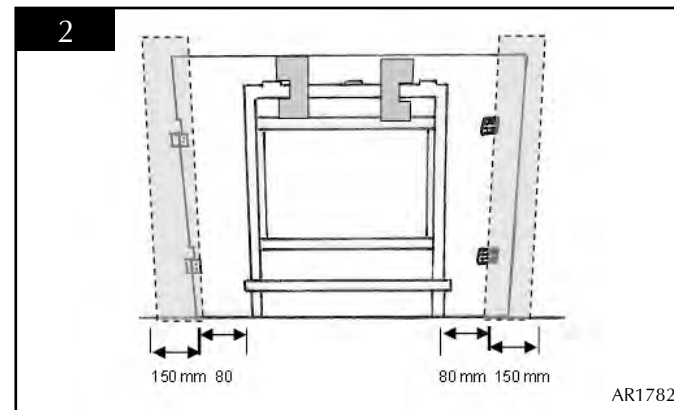
2. FITTING

IMPORTANT: BEFORE PROCEEDING WITH THE INSTALLATION, YOU MUST ENSURE THAT THE WALL AREA ABOVE AND TO THE SIDE OF THE FIRE IS STRONG ENOUGH TO SUPPORT THE FIXINGS THAT CARRY THE WEIGHT OF THE FRONT.

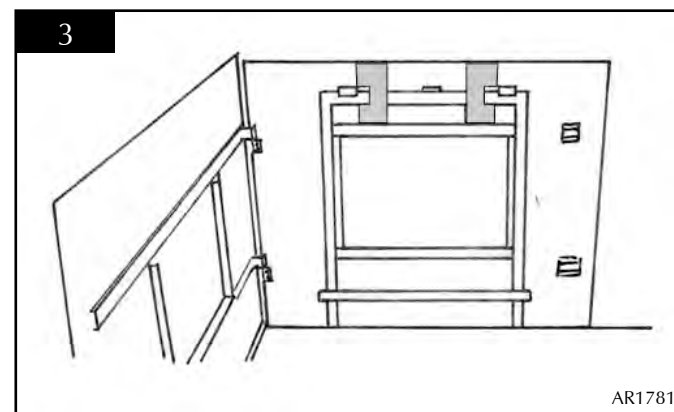
IF THE WALL IS CONSTRUCTED FROM HOLLOW MATERIALS, IT IS ESSENTIAL THE BATTENS ARE LOCATED TO THE SIDES OF THE FIRE TO PROVIDE STRENGTH TO THE FIXINGS, Diagram 2.

DUE CONSIDERATION SHOULD BE TAKEN TO ENSURE COMBUSTIBLE MATERIALS ARE SUFFICIENT DISTANCE FROM THE APPLIANCE.

- 2.1 Your battens must be positioned so that fixings can be used at 158.5 mm distance from the flange of the appliance. Your batten width must not come closer than 110mm to the appliance flange.

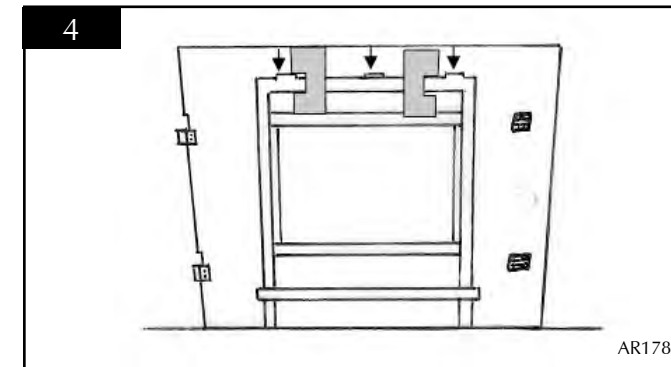


- 2.2 Separate the back and front sections of the frame. The frame must first be opened to 90° (right angles) to the back panel.

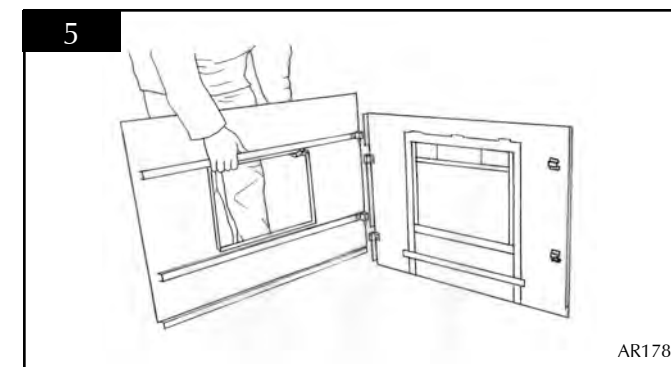


- 2.3 Having completed the installation of the E-Studio by referring to the Installation instructions, identify the 3 lugs on the top flange, Diagram 4.

- 2.4 Place the back panel so that the tabs locate in the lugs on the top flange and the bracket rests against the top edge of the top flange. Ensure the back panel is resting centrally and mark the location of the fixing holes.



- 2.5 Remove the back panel and drill the seven fixing holes, push the rawlplugs into the holes and secure the back panel to the wall with the screws supplied. THE FIXINGS SUPPLIED SHOULD BE SUFFICIENT WHEN MOUNTING ONTO A BRICK OR BLOCK WALL. YOU SHOULD, HOWEVER, USE SUITABLE FIXINGS WHEN MOUNTING ON A WALL CONSTRUCTED OF AN ALTERNATIVE MATERIAL.
- 2.6 Re-attach the front panel to the back by dropping the two pins into their appropriate barrels. Note this must be dropped into place at 90° (right angles) to the back panel.



3. COMMISSIONING

- 3.1 Where commissioning tests are detailed in the fire **Installation Instructions**, these should be carried out.
- 3.2 Ensure that these instructions are attached to the Instruction manual for the fire and leave with the user.

4. OPERATION

- 4.1 To open the decorative frame, gently lift the right-hand side of the front and pull towards you. The door opens on the hinges allowing access to the controls and window frame assembly.
- 4.2 To close the decorative frame, push the front door until the front tabs locate in the slots on the back panel and the magnets retain the door in position.

PLEASE NOTE THAT SOME SLIGHT RESISTANCE FROM THE LOCK MECHANISM IS NORMAL DURING THE OPENING AND CLOSING OF THE DOOR. BECAUSE THE DOOR IS QUITE HEAVY, THE TABS AND SLOTS ENABLE THE DOOR TO ALWAYS REST IN A HORIZONTAL POSITION WHEN CLOSED.

Free Manuals Download Website

<http://myh66.com>

<http://usermanuals.us>

<http://www.somanuals.com>

<http://www.4manuals.cc>

<http://www.manual-lib.com>

<http://www.404manual.com>

<http://www.luxmanual.com>

<http://aubethermostatmanual.com>

Golf course search by state

<http://golfingnear.com>

Email search by domain

<http://emailbydomain.com>

Auto manuals search

<http://auto.somanuals.com>

TV manuals search

<http://tv.somanuals.com>