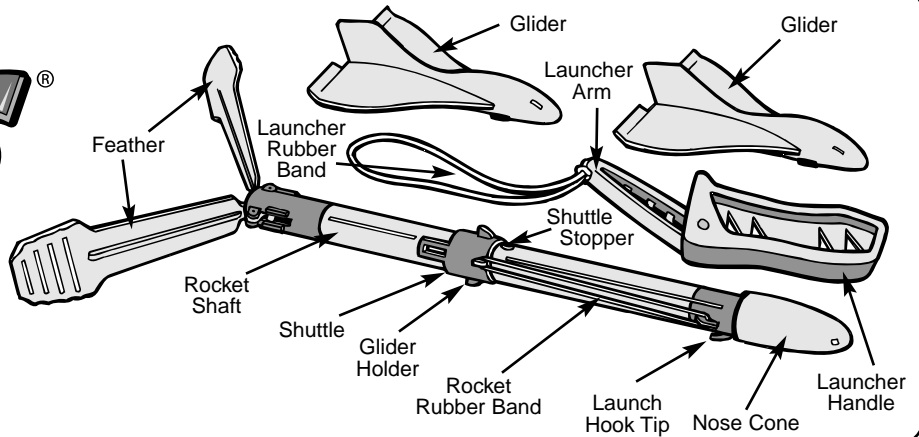


AIR HOGS®

TRIPLE BOOSTER™

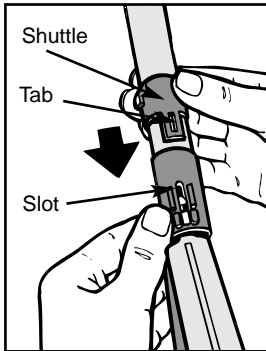
INSTRUCTIONS



LAUNCHING INSTRUCTIONS (ADULT SUPERVISION REQUIRED)

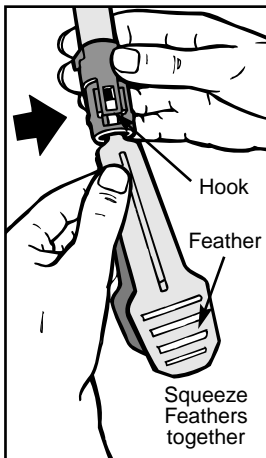
STEP 1

Slide the Shuttle down to the bottom of the Rocket Shaft. Be sure that the tab of the Shuttle is fitted into the slot on the bottom of the Rocket Shaft.



STEP 2

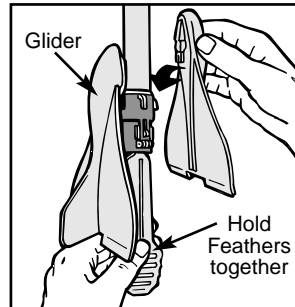
While holding the Shuttle in place, squeeze the Feathers together and ensure that they hook into the slots in the Shuttle.



CAUTION Do NOT hold the rocket by the Rocket Shaft. Be sure to keep the rocket away from your face and do not aim the rocket at yourself, other people, or animals.

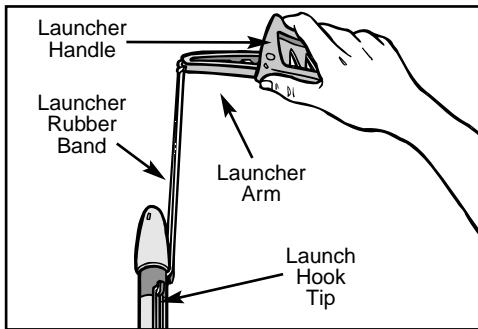
STEP 3

While holding the feathers together, load the Gliders onto the rocket by sliding them onto the Glider Holders.



STEP 4

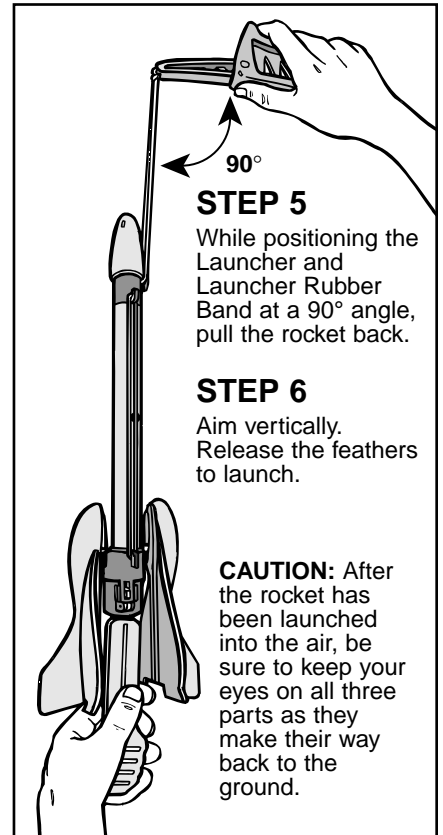
With your other hand, use the Launcher to attach the Launcher Rubber Band onto the Launch Hook Tip on the rocket.



IMPORTANT: Hold the Launcher Handle as shown. Your thumb should be on the side of the Launcher where the Launcher Arm is attached.

STEP 5

While positioning the Launcher and Launcher Rubber Band at a 90° angle, pull the rocket back.



STEP 6

Aim vertically. Release the feathers to launch.

CAUTION: After the rocket has been launched into the air, be sure to keep your eyes on all three parts as they make their way back to the ground.

IMPORTANT SAFETY INFORMATION

Keep clear from face and eyes. Do not launch at people or animals. Use caution; make sure people around you know you are playing with AIR HOGS®. Point toy away from face when launching. Do NOT launch in rain, sleet, electrical storms, or other adverse weather conditions. Be sure to fly Air Hogs® Triple Booster™ in a grassy, wide-open area free of trees, overhead wires and other obstructions. This will ensure soft landings, and will thus help extend the life of your toy. If your toy gets caught in a tree or other object, NEVER climb up to get it yourself. Call an adult for help. Only use gliders and launcher provided with this toy. ADULT SUPERVISION REQUIRED.

TROUBLE SHOOTING GUIDE

PROBLEM	CAUSE	SOLUTION
Gliders fall off Rocket Shaft before launch.	<ol style="list-style-type: none"> 1. Gliders are not securely placed on the Glider Holders. 2. Rocket Shaft is not held with feathers vertically down. 	<ol style="list-style-type: none"> 1. Ensure that Gliders are securely placed on Glider Holders. 2. Keep rocket in a more vertical position prior to launch.
Feathers do not open after launch.	<ol style="list-style-type: none"> 1. Rocket not shot high enough. 	<ol style="list-style-type: none"> 1. Pull rocket further back when launching, and shoot rocket at a more vertical angle.

SPIN MASTER LTD. CUSTOMER CARE CENTRE
 450 Front Street West, Toronto, Ontario M5V 1B6 CANADA
 TOLL-FREE NUMBER 1-800-622-8339
 (valid only in North America)
 Hours: 8:00 A.M. – 5:00 P.M.
 Eastern Time: Monday – Friday.

Air Hogs® is a registered trademark and Triple Booster™ is a trademark of Spin Master Ltd.
 © 2003 Spin Master Ltd. All rights reserved.

Assortment #42006 REV 1
 North American English



Free Manuals Download Website

<http://myh66.com>

<http://usermanuals.us>

<http://www.somanuals.com>

<http://www.4manuals.cc>

<http://www.manual-lib.com>

<http://www.404manual.com>

<http://www.luxmanual.com>

<http://aubethermostatmanual.com>

Golf course search by state

<http://golfingnear.com>

Email search by domain

<http://emailbydomain.com>

Auto manuals search

<http://auto.somanuals.com>

TV manuals search

<http://tv.somanuals.com>