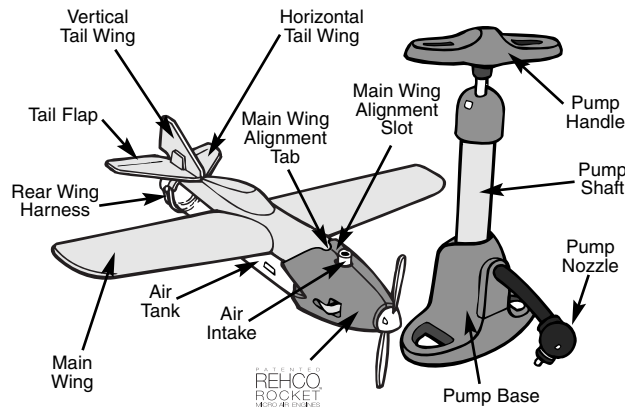


ADULT SUPERVISION IS REQUIRED



INSTRUCTIONS



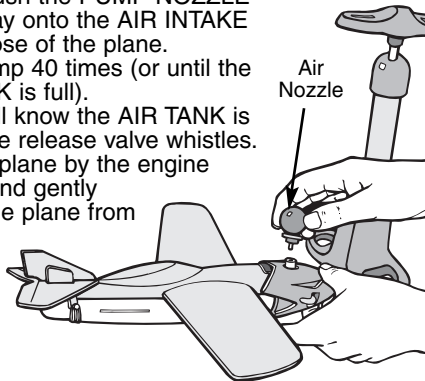
Contents:

- 1 Plane
- 1 Pump, 1 Main Wing
- 1 Rear Wing Assembly

Thank you for purchasing the Air Hogs® Blue Sky™ and welcome to the exciting world of flight! The Blue Sky™ is a real-flying plane and is powered by a miniature air pressure engine, called the Rehco Rocket™. The Blue Sky™ reaches exciting heights of up to 50 feet. Powered by air, the Blue Sky™ requires no gas and no batteries... **Just Pump It Up!**

PUMP UP YOUR BLUE SKY™

1. Gently push the PUMP NOZZLE all the way onto the AIR INTAKE on the nose of the plane.
 2. Push pump 40 times (or until the AIR TANK is full).
- TIP:** You will know the AIR TANK is full when the release valve whistles.
3. Hold the plane by the engine housing and gently remove the plane from the pump.

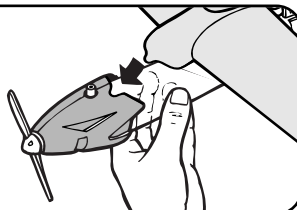


Use only the AIR PUMP that comes with your BLUE SKY™ airplane. For safety, this pump has a unique built-in pressure relief valve to ensure that the AIR TANK is not over filled.

WING RE-ASSEMBLY

To increase the Blue Sky™'s durability, it has been equipped with pop-off wings. Pop-off wings significantly help the plane to avoid breakage on impact with harsh surfaces (ie. ground, trees etc.) **IMPORTANT:** While pop-off wings do help to protect the product against damage, they are not foolproof. To help preserve the life of your Blue Sky™, always fly in a **wide-open area with lots of grass.**

1. Insert the MAIN WING ALIGNMENT TAB into the MAIN WING ALIGNMENT SLOT.



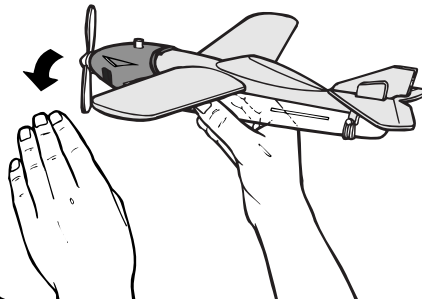
2. Strap the FRONT WING HARNESS over the front of the MAIN WING and wrap the elastic around the AIR TANK.

3. Strap the REAR WING HARNESS around the back of the AIR TANK.

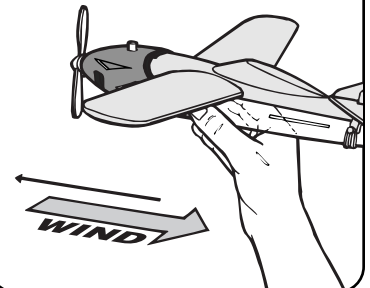
FLIGHT INSTRUCTIONS

1. **Starting the motor**

Hold the plane in your launching hand and flick the propeller downward with your other hand.

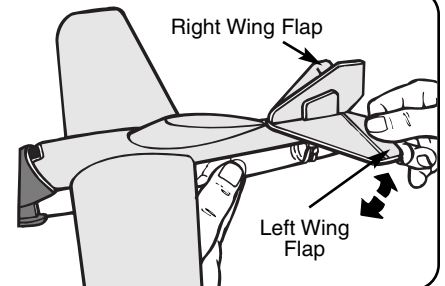


2. Launch Blue Sky™ against the wind for best take off and flight results.

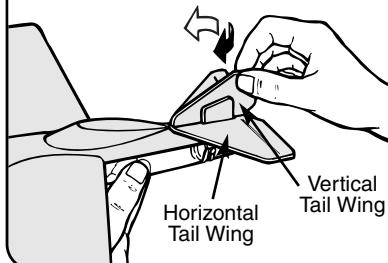


3. To achieve a level flight you may have to adjust the right and left wing flaps up or down.

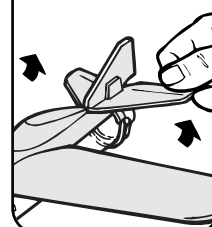
- Gently bend the Left flap up to make the plane bank to the Left.
- Gently bend the Right flap up to make the plane bank to the Right.



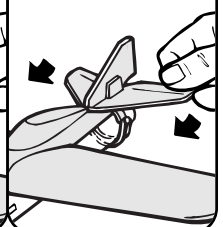
4. Make sure VERTICAL TAIL WING is straight. Also ensure HORIZONTAL TAIL WING is level with MAIN WING.



5. Bend both TAIL FLAPS up to make plane climb higher/faster.



6. Bend both TAIL FLAPS down if plane is climbing sharply, then crashing.



IMPORTANT SAFETY INFORMATION – ADULT SUPERVISION IS REQUIRED

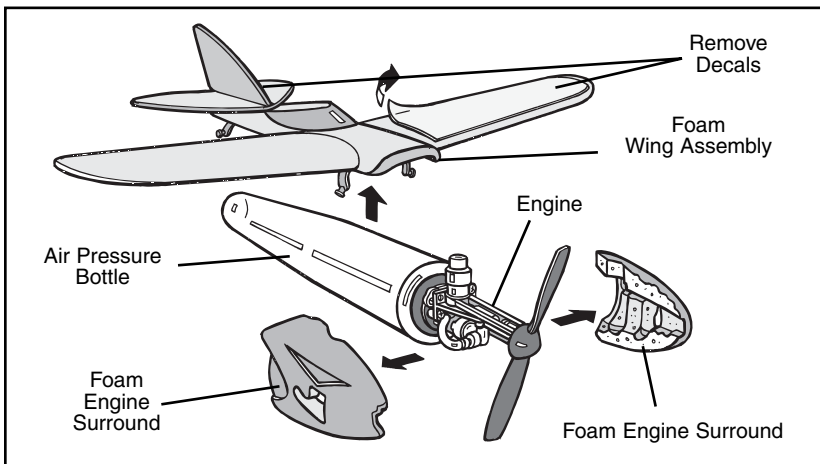
- Keep propeller clear from face, eyes and fingers. Do not launch at people or animals.
- Pay attention. Make sure people around you know you are playing with Blue Sky™. Point plane away from face when launching. Use only the pump included in this package. Other pumps may damage the plane or lead to injury. Never pump anything except air into the engine. Do not leave air in reservoir.
- Do not leave your Blue Sky™ AIR TANK pressurized in direct sunlight and/or extreme heat for excessive amounts of time.
- Do not fly in very windy conditions. Do not fly plane in temperatures below 45°F/7°C or the wings will become brittle and may break, and engine performance will decrease.
- Do not fly near overhead wires, trees, buildings, or other obstructions.
- After your last flight, spin the propeller to make sure all the air has been used up. Only use your Blue Sky™ plane in grassy open area. To stop the propeller, gently touch the nose cone to the grass.

TROUBLESHOOTING GUIDE

PROBLEM	CAUSE	SOLUTION
Engine will not start.	<ul style="list-style-type: none"> • No air in AIR TANK. • Blue Sky™ AIR INTAKE or PUMP NOZZLE are clogged with dirt. 	<ul style="list-style-type: none"> • Pump up Blue Sky™ and make sure PROPELLER is horizontal. • Clean out AIR INTAKE with a toothpick and re-pump.
Blue Sky™ does not have a level flight path.	<ul style="list-style-type: none"> • TAIL WING FLAPS not adjusted properly. 	<ul style="list-style-type: none"> • Re-adjust the TAIL WING FLAPS. FLAP UP to prevent dives and FLAP DOWN to prevent stall.
Blue Sky™ AIR INTAKE will not fit into PUMP NOZZLE.	<ul style="list-style-type: none"> • Check for dirt in Blue Sky™ AIR INTAKE or PUMP NOZZLE. 	<ul style="list-style-type: none"> • Clean out with a toothpick.
Wings on your Blue Sky™ get damaged.		<ul style="list-style-type: none"> • The wings can easily be repaired with clear tape.

DISPOSAL INFORMATION

When your Blue Sky™ plane is no longer functional, its components can be disposed of in the following manner:



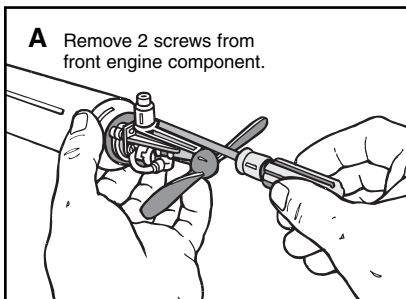
Packaging Materials

All Blue Sky™ packaging materials and instruction sheets are readily recyclable through your local program.

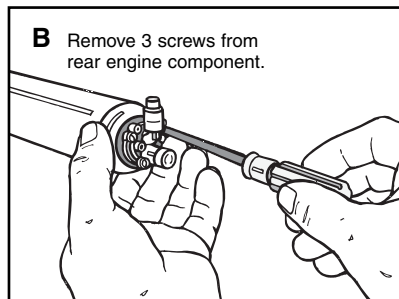


Aircraft Wings and Body

All foam materials are made of polystyrene. Please dispose along with your regular solid waste garbage, or in your blue box if polystyrene recycling facilities exist in your area.



A Remove 2 screws from front engine component.



B Remove 3 screws from rear engine component.



Air Pressure Bottle

This bottle is made from recyclable PETE.

A. Using a small Phillips head (star) screwdriver, carefully remove the 2 screws from the front engine compartment.

B. Remove the front engine compartment and then remove the 3 screws securing the bottle to the engine.

Detach the bottle and dispose through your local recycling program.

All remaining parts: The pump, motor and all remaining parts are non-recyclable. Please dispose of appropriately.

Spin Master Ltd., 450 Front Street West, Toronto, ON M5V 1B6 Canada
 Spin Master, Inc., PMB #10053, 300 International Drive, Suite 100,
 Williamsville, NY 14221, USA
 Spin Master Toys Far East Limited, Rm #1113, 11/F,
 Chinachem Golden Plaza, 77 Mody Rd., Tsimshatsui E., Kowloon, HK

AIR HOGS® is a registered trademark and Blue Sky™ is a trademark of Spin Master Ltd. © 2007 Spin Master Ltd. All rights reserved. Conforms to product safety standards ASTM F963, EN71 Regulatory Requirements. Please retain this information for future reference. Please remove all packaging material before giving to children. Products and colors may vary. MADE IN CHINA.

North American Consumer Information
 Phone: 1-800-622-8339
 www.spinmaster.com

#20012429 NEN REV 1



Free Manuals Download Website

<http://myh66.com>

<http://usermanuals.us>

<http://www.somanuals.com>

<http://www.4manuals.cc>

<http://www.manual-lib.com>

<http://www.404manual.com>

<http://www.luxmanual.com>

<http://aubethermostatmanual.com>

Golf course search by state

<http://golfingnear.com>

Email search by domain

<http://emailbydomain.com>

Auto manuals search

<http://auto.somanuals.com>

TV manuals search

<http://tv.somanuals.com>