

# Assembly Instructions & Flight Manual



## RED HORNET™

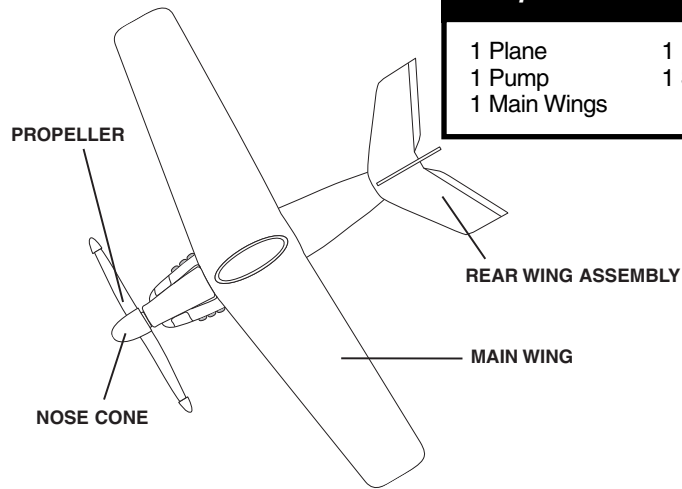


**Congratulations!** You are the proud owner of one of the loudest, fastest and farthest flying air-powered plane ever! AIR HOGS™ Red Hornet™ can fly over 90 metres (100 yards)! Red Hornet™ is also incredibly fast with top speeds of up to 240KM/H (150MPH)<sup>1</sup>. Please read and follow these instructions to assemble and fly your plane. **Happy Flying!**

**PLEASE READ THESE INSTRUCTIONS BEFORE FLYING!**

## Getting To Know Your AIR HOGS™ Red Hornet™

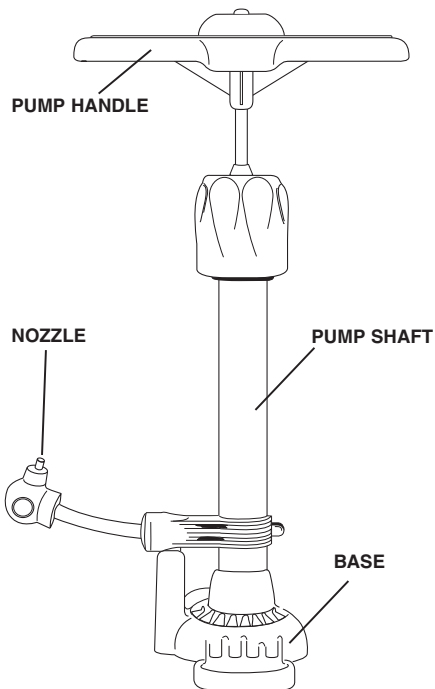
TOP ELEVATION



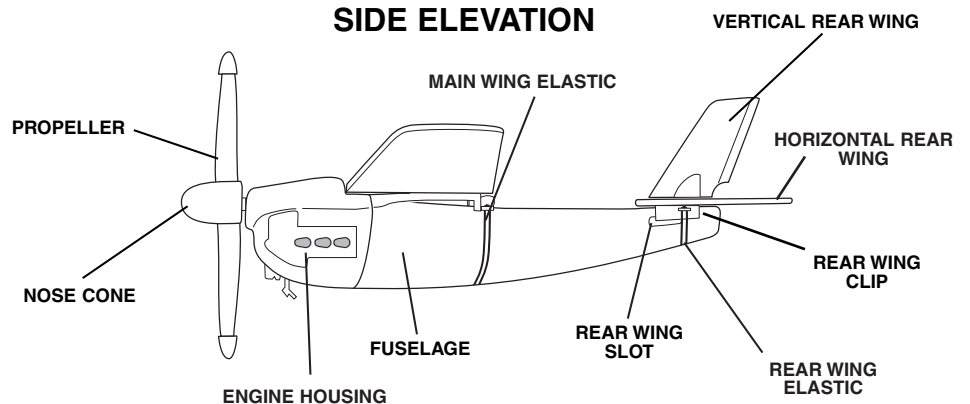
*Check to make sure the contents are complete:*

- |              |                      |
|--------------|----------------------|
| 1 Plane      | 1 Rear Wing Assembly |
| 1 Pump       | 1 Set of Stickers    |
| 1 Main Wings |                      |

DOCKING STATION/PUMP



SIDE ELEVATION

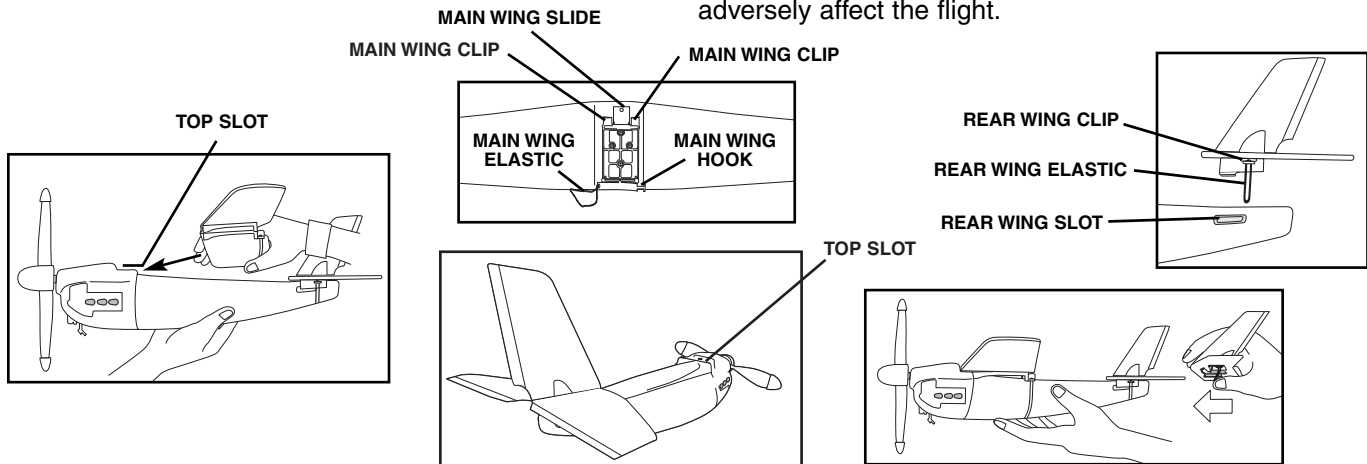


<sup>1</sup>. 240KM/H (150MPH) SCALE SPEED, 1:15 SCALE.

# Assembly Instructions

## 1 ATTACHING THE MAIN WING

Place the MAIN WING over the FUSELAGE. Gently slide the MAIN WING CLIPS into the FRONT FUSELAGE TOP SLOT ensuring that the MAIN WING SLIDE is still above the FRONT FUSELAGE TOP SLOT and the MAIN WING CLIPS are below the FRONT FUSELAGE TOP SLOT. Make sure you slide it in ALL THE WAY or your plane will not fly. Finish attaching the MAIN WING by wrapping the MAIN WING ELASTIC around the FUSELAGE and slipping it over the MAIN WING HOOK.



## 2 ATTACHING REAR WING

Slide the REAR WING CLIPS into the REAR WING SLOT. Make sure you gently push the REAR WING CLIPS ALL THE WAY into the REAR WING SLOTS or the plane will be unstable. NOTE: the REAR WING ELASTIC should be placed around the rear end of the FUSELAGE as shown.

## 3 APPLYING STICKERS

See packaging for placement of your AIR HOGS™ stickers. Make sure your stickers are pressed flat to the plane, because creases in the stickers will adversely affect the flight.

# Flying your AIR HOGS™ Plane

**ALWAYS FLY YOUR PLANE IN A WIDE OPEN GRASSY AREA; THIS WILL ENSURE A LONGER LIFE FOR YOUR PLANE. ALWAYS USE CAUTION WHEN FLYING YOUR PLANE! ALWAYS POINT YOUR PLANE AWAY FROM YOUR FACE AND OTHER PEOPLE WHEN LAUNCHING!**

**DO NOT FLY THE PLANE IN VERY WINDY CONDITIONS. DO NOT FLY THE PLANE IN TEMPERATURES BELOW 7°C/45°F. THE WINGS WILL BECOME BRITTLE AND MAY BREAK, AND ENGINE PERFORMANCE WILL DECREASE.**

## 1 ATTACHING PLANE TO PUMP

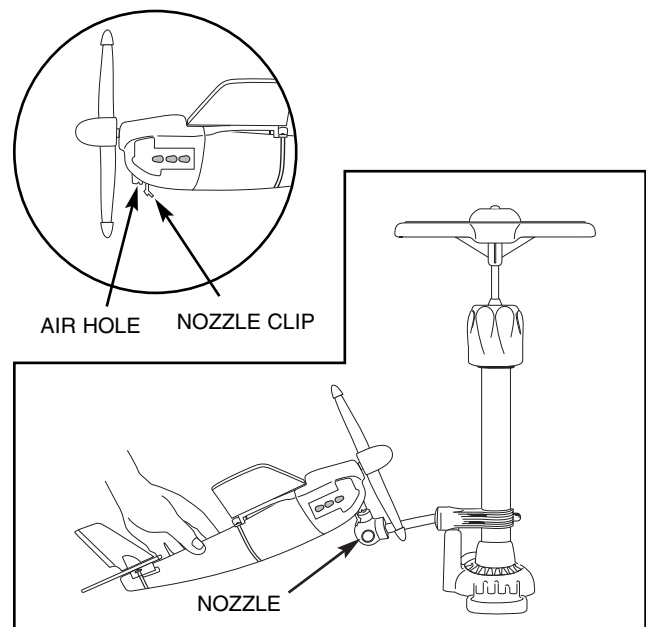
Attach the plane to the PUMP as shown. Gently push the AIR HOLE (under the engine) onto the NOZZLE of the PUMPstation. Make sure you push the AIR HOLE all the way down onto the NOZZLE. The NOZZLE CLIP should be secure to the nozzle. If the plane is not pushed securely onto the NOZZLE, the tank will not fill with air, and the plane will not fly.

## 2 POSITIONING FOR PUMPING

Put the pump on the ground and place one foot on each side of the base.

## 3 PUMPING UP THE PLANE

Pump up the plane until you feel a lot of pressure and it becomes very difficult to pump. It will take 40 to 60 pumps to pressurize your plane (Tip: For maximum performance, try 60 to 80 pumps.). When pumping, make sure you push the pump handle all the way down.



CONTINUED...

## Flying your AIR HOGS™ Plane continued...

### 4 REMOVING THE PLANE FROM THE PUMP

Holding the plane by the ENGINE HOUSING, gently remove the plane from the pump, ensuring that the NOZZLE CLIP is detached from the NOZZLE.

### 5 STARTING THE RAID ENGINE™

Make sure the MAIN WING and the TAIL WINGS are straight before every flight to ensure maximum performance! Hold the plane by the fuselage in your throwing hand. To start the engine, flick the propeller firmly in the direction shown by the arrow on the nose cone. If the propeller is turning the wrong direction, the plane will not fly.

**NOTE: IF YOU DO NOT FLICK THE PROPELLER HARD ENOUGH, IT MAY "KICK" BACK IN THE OTHER DIRECTION AND THE PLANE WILL NOT FLY.**

### 6 PREPARING FOR TAKE OFF

Before flying your plane, check the wind direction. You should always toss your plane against the wind for best take off and flight results. If you can feel the wind against your face, you are facing the correct direction. If the wind is at your back, turn around until you feel the wind on your face. You are now ready to fly your plane.

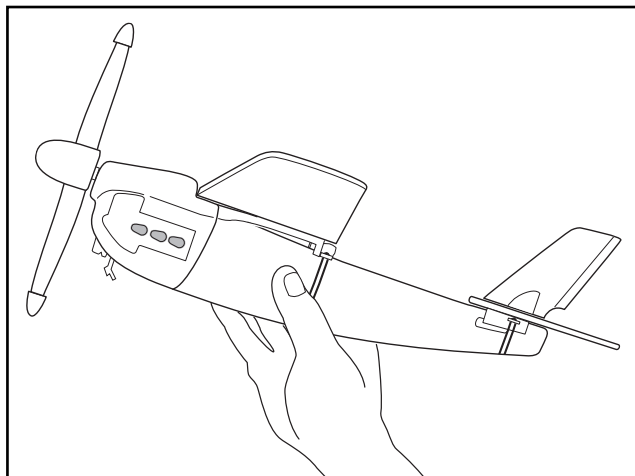
### 7 THROWING THE PLANE

Gently toss the plane upward into the air against the wind at the angle shown in the picture to the right.

If you throw your plane in the same direction as the wind, the plane will not perform well.

### STOPPING THE PLANE'S PROPELLER

To stop the propeller from spinning, simply touch the nose cone to the grass and the propeller will stop immediately.

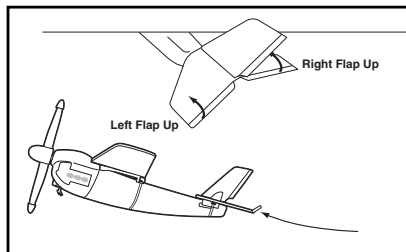


**WARNING: Do not leave your Red Hornet™ in direct sunlight and/or extreme heat for excessive amounts of time.**

## AIR HOGS™ Flying Techniques

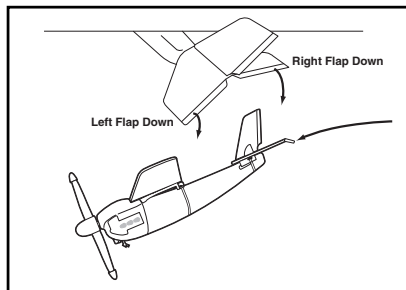
### 1 MAKING PLANE CLIMB

Gently bend **BOTH FLAPS UP** and the plane will climb.



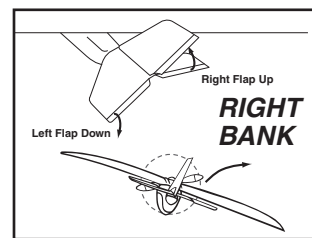
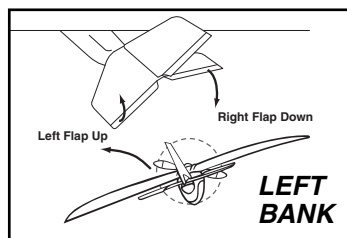
### 2 MAKING PLANE DIVE

Gently bend **BOTH FLAPS DOWN** and the plane will dive.



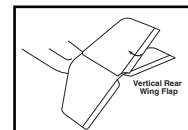
### 3 MAKING PLANE BANK

Gently bend the **LEFT FLAP UP** and the plane will **bank left**. Gently bend the **RIGHT FLAP UP** and the plane will **bank right**.

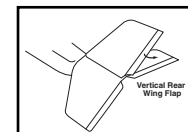


### 4 CONTROLLING DIRECTION

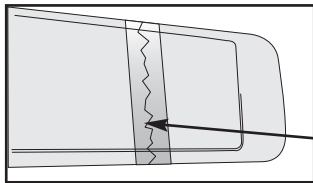
To make your plane turn left (without banking) bend the **VERTICAL REAR WING FLAP** left.



To make your plane turn right (without banking) bend the **VERTICAL REAR WING FLAP** right.



## REPAIR CENTRE



If the wings on your AIR HOGS® plane get damaged, they can be easily repaired with clear tape.

CLEAR TAPE

## TROUBLESHOOTING GUIDE

PROBLEM	CAUSE	SOLUTION
Engine will not start.	<ol style="list-style-type: none"> <li>1. No air in tank.</li> <li>2. Air hole on engine, or nozzle on pump is clogged with dirt.</li> </ol>	<ol style="list-style-type: none"> <li>1. Pump up plane.</li> <li>2. Clean out with a toothpick and re-pump.</li> </ol>
Engine starts, but plane will not fly.	<ol style="list-style-type: none"> <li>1. Fuselage is not full.</li> <li>2. Propeller is spinning the wrong way.</li> </ol>	<ol style="list-style-type: none"> <li>1. Pump up plane until air tank is full.</li> <li>2. Flick propeller firmly in the direction shown by the arrow on the nose cone.</li> </ol>
Plane takes off, turns sharply and crashes.	<ol style="list-style-type: none"> <li>1. Wings are not straight.</li> <li>2. Rear wing flap(s) are bent.</li> <li>3. Wings are damaged.</li> </ol>	<ol style="list-style-type: none"> <li>1. Make sure all wings are aligned properly</li> <li>2. Straighten out horizontal stabilizer(s).</li> <li>3. Repair with clear tape.</li> </ol>
Plane will not fit on pump.	<ol style="list-style-type: none"> <li>1. Air hole on engine, or nozzle on pump is clogged with dirt.</li> </ol>	<ol style="list-style-type: none"> <li>1. Clean out with a toothpick.</li> </ol>
Rear wing assembly falls off.	<ol style="list-style-type: none"> <li>1. Rear wing clip is not all the way into the rear wing slot.</li> <li>2. Rear wing elastic is not around the rear fuselage.</li> </ol>	<ol style="list-style-type: none"> <li>1. Slide the rear wing clip forward all the way into the rear wing slot.</li> <li>2. Slide the rear wing elastic over the end of the rear fuselage.</li> </ol>

## IMPORTANT SAFETY INFORMATION

Keep propeller clear from face, eyes and fingers. Do not launch at people or animals.

Pay Attention: Make sure people around you know you are playing with AIR HOGS™. Point plane away from face when launching.

Use only the pump included in this package. Other pumps may damage the plane or lead to injury. Never pump anything except air into the engine.

Do not leave air in the plane. After your last flight, spin the propeller to make sure all the air has been used up. Only use your AIR HOGS™ plane in grassy, open

areas. To stop the propeller, gently touch the nose cone to the grass.

Do not fly in very windy conditions.

Do not fly plane in temperatures below 7°C/45°F or the wings will become brittle and may break, and engine performance will decrease.

Do not fly near overhead wires, buildings, trees, or other obstructions.

Do not leave your Red Hornet™ in direct sunlight and/or extreme heat for excessive amounts of time.

**ADULT SUPERVISION RECOMMENDED.**

Manufactured for Spin Master Ltd.  
Spin Master Ltd., 450 Front Street West, Toronto, ON M5V 1B6 Canada  
Spin Master, Inc., PMB #10053, 300 International Drive, Suite 100,  
Williamsville, NY 14221, USA  
Spin Master Toys Far East Limited, Rm # 1113, 11/F, Chinachem Golden Plaza,  
77 Mody Rd., Tsimshatsui E., Kowloon, HK  
Spin Master France SAS, 36 rue de Silly, 92100 Boulogne, France

North American Consumer Information  
Phone: 1-800-622-8339  
www.spinmaster.com

In France call: 0800 803 355  
Fax: 03 88 47 95 04  
Email: jouets@spinmaster.com

Air Hogs TM and Red Hornet TM are trademarks of Spin Master Ltd.  
© 2003 Spin Master Ltd. All rights reserved.  
Conforms to product safety standards ASTM F963-03, CPSC,  
EN71 Regulatory Requirements.  
Please retain this information for future reference.  
Please remove all packaging material before giving to children.  
Products and colours may vary. MADE IN CHINA.

Asst. #45068, Item #45136. Mint'l English REV 0



## Free Manuals Download Website

<http://myh66.com>

<http://usermanuals.us>

<http://www.somanuals.com>

<http://www.4manuals.cc>

<http://www.manual-lib.com>

<http://www.404manual.com>

<http://www.luxmanual.com>

<http://aubethermostatmanual.com>

Golf course search by state

<http://golfingnear.com>

Email search by domain

<http://emailbydomain.com>

Auto manuals search

<http://auto.somanuals.com>

TV manuals search

<http://tv.somanuals.com>