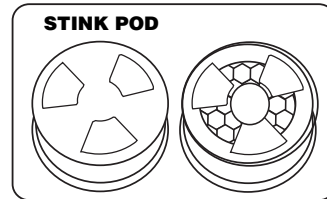


CAUTION!

Stink Blaster Blaster™ is an air gun that should not be fired at close proximity to the eyes and mouth.

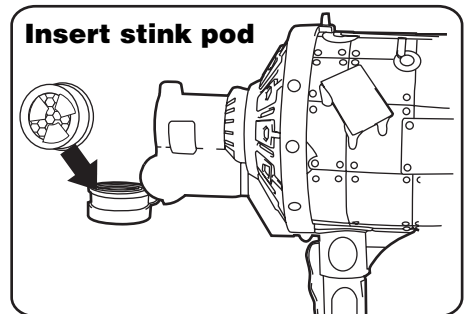
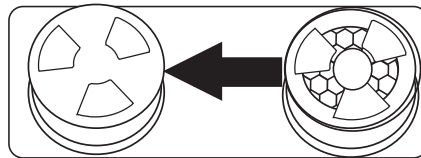
Take care when firing Stink Blaster Blaster™ to stay clear of plunger handle.



The life of your Stink Pods will greatly increase if you close them after each use and store them in the locking blister when not in use. **Do not leave Stink Pod door open when not in use.**

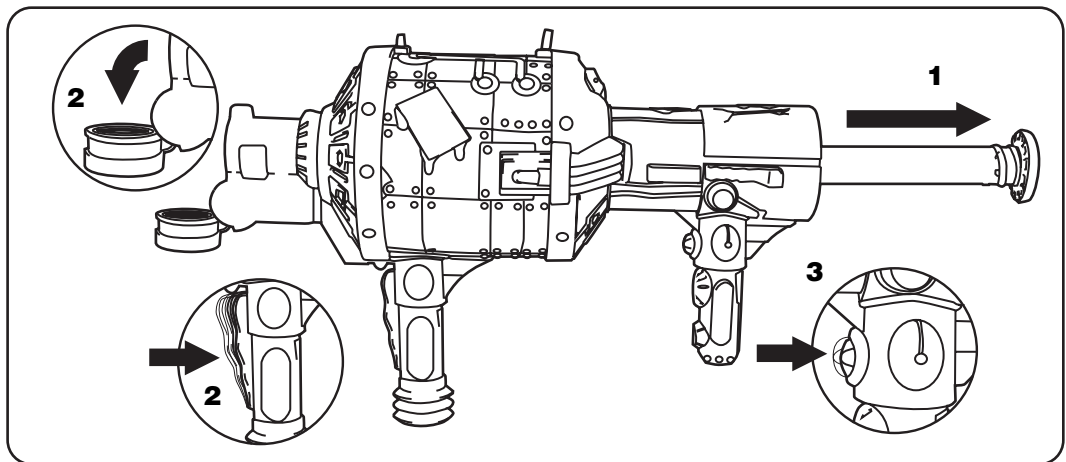
INSERTING STINK PODS

1. Locate the stink pod you wish to use.
2. Twist the stink filter nozzle cap counter clockwise until it is stopped.
3. Lift the nozzle cap off.
4. Twist the stink pod open as shown and place in the nozzle.
5. Replace nozzle cap.



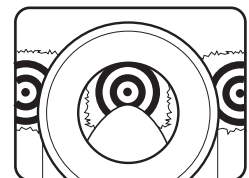
TO FIRE THE STINK BLASTER™ BLASTER

1. With the nozzle resting over the barrel, pull the plunger back until it locks into extended position.
2. Squeeze the Nozzle Releaser to free up the air passage.
3. Aim, squeeze the trigger!



TIPS

To aim your Stink Blaster Blaster™ you can use the scope to aim at objects over 6 feet away. Line the front pointer up with your target while looking through the scope. Many people tend to aim low because of the large size of the bellows. If you are not sure, always aim higher than you would guess.



Spin Master Ltd.
 450 Front Street West ,Toronto ,ON M5V 1B6 Canada
 Phone: 1-800-622-8339 Fax: 416-364-8005
 Web: www.spinmaster.com Email: toys@spinmster.com
 © 2004 Spin Master Ltd. TM Stink Blaster is a trademark of Spin Master Ltd.
 All Rights Reserved.



Free Manuals Download Website

<http://myh66.com>

<http://usermanuals.us>

<http://www.somanuals.com>

<http://www.4manuals.cc>

<http://www.manual-lib.com>

<http://www.404manual.com>

<http://www.luxmanual.com>

<http://aubethermostatmanual.com>

Golf course search by state

<http://golfingnear.com>

Email search by domain

<http://emailbydomain.com>

Auto manuals search

<http://auto.somanuals.com>

TV manuals search

<http://tv.somanuals.com>