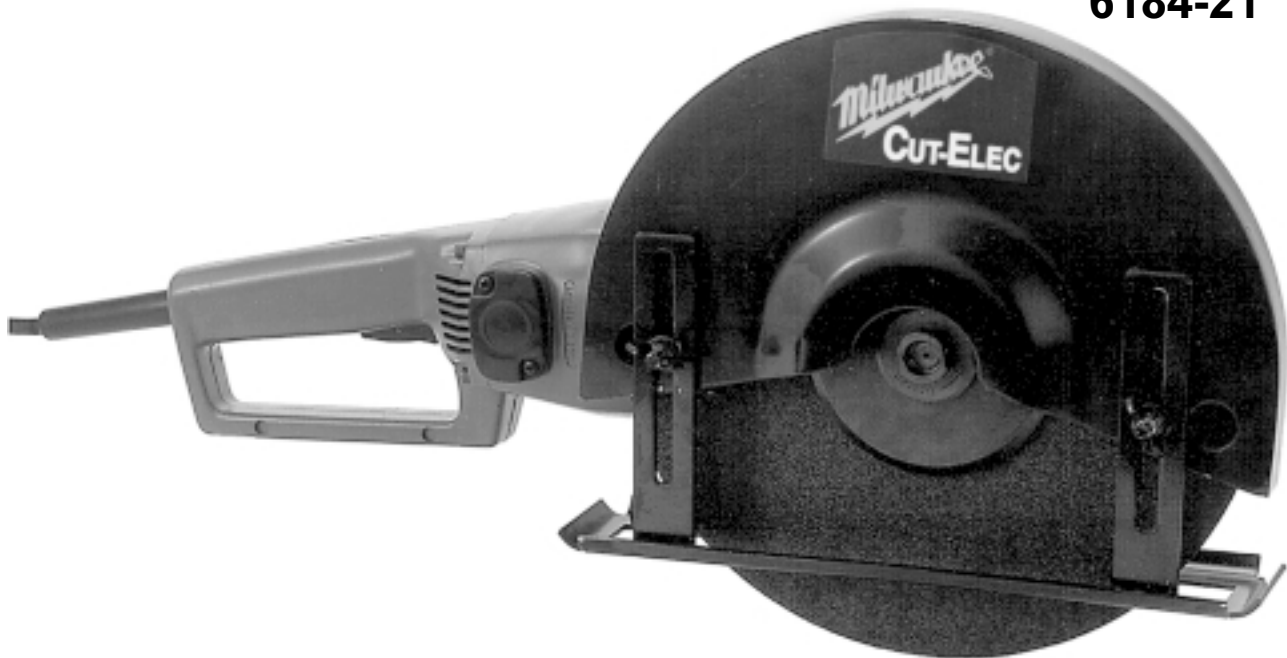




**OPERATOR'S MANUAL  
MANUEL de L'UTILISATEUR  
MANUAL del OPERADOR**

**Catalog No.  
No de Cat.  
Número de Catálogo  
6184-01  
6184-21**



**HEAVY-DUTY 14" HAND-HELD ABRASIVE CUT-OFF GRINDER  
ROBUSTE TRONÇONNEUSE MANUELLE À DISQUE ABRASIF 35,6 cm  
SIERRA TRONZADORA ABRASIVA DE MANO DE 35,6cm  
PARA TRABAJOS PESADOS**

*TO REDUCE THE RISK OF INJURY, USER MUST READ AND UNDERSTAND OPERATOR'S MANUAL.*

*AFIN DE RÉDUIRE LE RISQUE DE BLESSURES, L'UTILISATEUR DOIT LIRE ET BIEN COMPRENDRE LE MANUEL DE L'UTILISATEUR.*

*PARA REDUCIR EL RIESGO DE LESIONES, EL USUARIO DEBE LEER Y ENTENDER EL MANUAL DEL OPERADOR.*

## GENERAL SAFETY RULES



### WARNING!

#### **READ AND UNDERSTAND ALL INSTRUCTIONS.**


Failure to follow all instructions listed below, may result in electric shock, fire and/or serious personal injury.

#### **SAVE THESE INSTRUCTIONS.**

### WORK AREA

1. **Keep your work area clean and well lit.** Cluttered benches and dark areas invite accidents.
2. **Do not operate power tools in explosive atmospheres, such as in the presence of flammable liquids, gases, or dust.** Power tools create sparks which may ignite the dust or fumes.
3. **Keep bystanders, children, and visitors away while operating a power tool.** Distractions can cause you to lose control. Protect others in the work area from debris such as chips and sparks. Provide barriers or shields as needed.

### ELECTRICAL SAFETY

4. **Grounded tools must be plugged into an outlet properly installed and grounded in accordance with all codes and ordinances. Never remove the grounding prong or modify the plug in any way. Do not use any adaptor plugs. Check with a qualified electrician if you are in doubt as to whether the outlet is properly grounded.** If the tools should electrically malfunction or break down, grounding provides a low resistance path to carry electricity away from the user.
5. **Double Insulated tools are equipped with a polarized plug (one blade is wider than the other). This plug will fit in a polarized outlet only one way. If the plug does not fit fully in the outlet, reverse the plug. If it still does not fit, contact a qualified electrician to install a polarized outlet. Do not change the plug in any way.** Double insulation  eliminates the need for the three wire grounded power cord and grounded power supply system.
6. **Avoid body contact with grounded surfaces such as pipes, radiators, ranges and refrigerators.** There is an increased risk of electric shock if your body is grounded.
7. **Do not expose power tools to rain or wet conditions.** Water entering a power tool will increase the risk of electric shock.
8. **Do not abuse the cord. Never use the cord to carry the tools or pull the plug from an outlet. Keep cord away from heat, oil, sharp edges or moving parts. Replace damaged cords immediately.** Damaged cords increase the risk of electric shock.
9. **When operating a power tool outside, use an outdoor extension cord marked "W-A" or "W".** These cords are rated for outdoor use and reduce the risk of electric shock.

### PERSONAL SAFETY

10. **Stay alert, watch what you are doing, and use common sense when operating a power tool. Do not use tool while tired or under the influence of drugs, alcohol, or medication.** A moment of inattention while operating power tools may result in serious personal injury.
11. **Dress properly. Do not wear loose clothing or jewelry. Contain long hair. Keep your hair, clothing, and gloves away from moving parts.** Loose clothes, jewelry, or long hair can be caught in moving parts.

12. **Avoid accidental starting. Be sure switch is off before plugging in.** Carrying tools with your finger on the switch or plugging in tools with the switch on invites accidents.
13. **Remove adjusting keys or wrenches before turning on the tool.** A wrench or a key that is left attached to a rotating part of the tool may result in personal injury.
14. **Do not overreach. Keep proper footing and balance at all times.** Proper footing and balance enables better control of the tool in unexpected situations.
15. **Use safety equipment. Always wear eye protection.** Dust mask, non-skid safety shoes, hard hat, or hearing protection must be used for appropriate conditions.

### TOOL USE AND CARE

16. **Use clamps or other practical way to secure and support the workpiece to a stable platform.** Holding the work by hand or against your body is unstable and may lead to loss of control.
17. **Do not force tool. Use the correct tool for your application.** The correct tool will do the job better and safer at the rate for which it is designed.
18. **Do not use tool if switch does not turn it on or off.** Any tool that cannot be controlled with the switch is dangerous and must be repaired.
19. **Disconnect the plug from the power source before making any adjustments, changing accessories, or storing the tool.** Such preventive safety measures reduce the risk of starting the tool accidentally.
20. **Store idle tools out of reach of children and other untrained persons.** Tools are dangerous in the hands of untrained users.
21. **Maintain tools with care. Keep cutting tools sharp and clean.** Properly maintained tools with sharp cutting edge are less likely to bind and are easier to control. Do not use a damaged tool. Tag damaged tools "Do not use" until repaired.
22. **Check for misalignment or binding of moving parts, breakage of parts, and any other condition that may affect the tool's operation. If damaged, have the tool serviced before using.** Many accidents are caused by poorly maintained tools.
23. **Use only accessories that are recommended by the manufacturer for your model.** Accessories that may be suitable for one tool, may become hazardous when used on another tool.

### SERVICE

24. **Tool service must be performed only by qualified repair personnel.** Service or maintenance performed by unqualified personnel could result in a risk of injury.
25. **When servicing a tool, use only identical replacement parts. Follow instructions in the Maintenance section of this manual.** Use of unauthorized parts or failure to follow Maintenance Instructions may create a risk of electric shock or injury.

## SPECIFIC SAFETY INSTRUCTIONS - HAND-HELD ABRASIVE CUT-OFF GRINDER







1. **To reduce the risk of injury, avoid inhalation of dust generated by grinding and cutting operations.** Exposure to dust may cause respiratory ailments. Use approved NIOSH or OSHA respirators, safety glasses or face shields, gloves and protective clothing. Provide adequate ventilation to eliminate dust, or to maintain dust level below the Threshold Limit Value for nuisance dust as classified by OSHA.
2. **Hold tool by insulated gripping surfaces when performing an operation where the cutting tool may contact hidden wiring or its own cord.** Contact with a "live" wire will make exposed metal parts of tool "live" and shock the operator.
3. **Maintain labels and nameplates.** These carry important information. If unreadable or missing, contact a *MILWAUKEE* service facility for a free replacement.
4. **WARNING!** Some dust created by power sanding, sawing, grinding, drilling, and other construction activities contains chemicals known to cause cancer, birth defects or other reproductive harm. Some examples of these chemicals are:
  - lead from lead-based paint
  - crystalline silica from bricks and cement and other masonry products, and
  - arsenic and chromium from chemically-treated lumber.

Your risk from these exposures varies, depending on how often you do this type of work. To reduce your exposure to these chemicals: work in a well ventilated area, and work with approved safety equipment, such as those dust masks that are specifically designed to filter out microscopic particles.

### Wheel Instructions

5. Use only the edge (not the sides) of the wheel for cutting. Do not allow the wheel to twist or bind.
6. Keep hands and body away from the rotating wheel. Do not wear loose clothing when using this tool.
7. Store cut-off wheels with care. Do not drop them or subject them to excessive heat, cold or humidity.
8. Make sure that all wheel flanges and other mounting hardware are in good condition and are always used properly. Defective or missing parts may cause damage to the wheel. Always use mounting flanges supplied with the tool.
9. Cutting with a damaged wheel is very hazardous. After installing a new wheel, leave the tool unplugged and rotate the wheel by hand to see if it is uneven, warped, or cracked. If so, discard the wheel and replace it with a new one. Do not use a wheel that has been dropped; impact may result in breakage.
10. Before starting a cut, step back from the tool and make a trial run to confirm that the wheel is in good condition. Trial run periods are:
  - When replacing a cut-off wheel — over 3 minutes.
  - When starting routine work — over 1 minute.
11. Before installing a cut-off wheel, always inspect it for cracks. Visually check resinoid and rubber-bonded wheels for cracks. Replace cracked wheel immediately.
12. Always check maximum operating speed established for wheel against grinder speed. Do not exceed the maximum operating speed that is marked on the wheel.
13. Do not force a wheel onto the grinder or alter the size of the arbor hole. Don't use a wheel that fits the arbor too loosely. If the wheel doesn't fit the grinder, get one that does.
14. Do not set the depth of cut to more than 1/2". Make successive passes to achieve a greater depth of cut. Cutting at a depth of more than 1/2" will damage the wheel.
15. Do not attempt to install saw blades on this tool because it is not designed for this type of blade.
16. Do not overtighten wheel nut.
17. Start cutting only after the motor has reached full speed.
18. Release switch immediately if the cut-off wheel stops rotating or if the motor sounds like it is straining.
19. Keep flammable and fragile objects away from this tool. Do not allow cut-off sparks to contact the operator's hands, face or feet.
20. Place the tool securely on a flat, level surface.
21. Always use the tool with the proper voltage specified on the tool's nameplate.
22. Never touch a short cut-off piece until it cools.
23. Never attempt to cut material larger than the rated capacity listed in "Specifications".
24. Never stand in line with the wheel while cutting. Always stand to the side.
25. Always keep guards in place.
26. Always start the cut gently. Do not bump or bang a wheel to start a cut.

### Symbology

	Double Insulated
	Volts Alternating Current
	Amps
	No Load Revolutions per Minute (RPM)
	Underwriters Laboratories, Inc.
	Canadian Standards Association

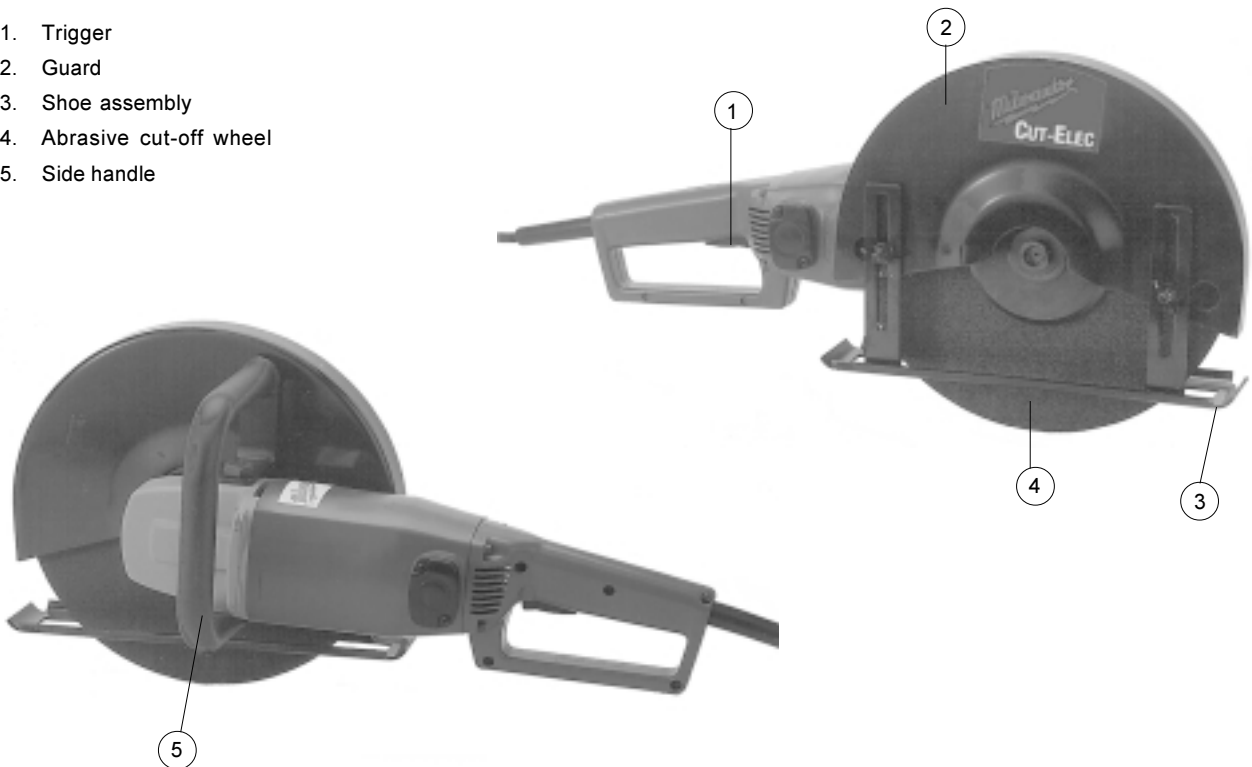
### Specifications

Cut-Off Grinder Capacities						
Cat. No.	Wheel Size	RPM	Volts AC	Amps	Cutting Capacity	Arbor Hole Size
6184-01	14"	4350	120	18	4-7/16"	1" or 20 mm

Abrasive Cut-Off Wheel Capacities				
Cat. No.	Wheel Size	Max. rated RPM (at least)	Wheel Thickness	Arbor Hole Size
6184-01	14"	5000	1/8"	1" or 20 mm

### FUNCTIONAL DESCRIPTION

1. Trigger
2. Guard
3. Shoe assembly
4. Abrasive cut-off wheel
5. Side handle

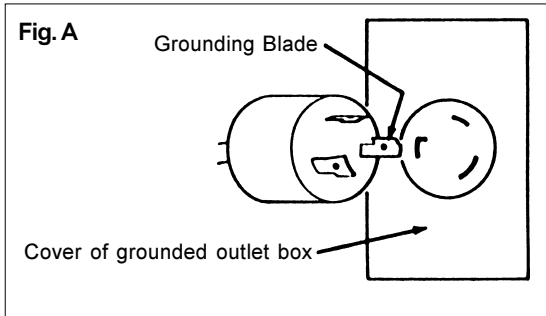


## GROUNDING



Improperly connecting the grounding wire can result in the risk of electric shock. Check with a qualified electrician if you are in doubt as to whether the outlet is properly grounded. Do not modify the plug provided with the tool. Never remove the grounding prong from the plug. Do not use the tool if the cord or plug is damaged. If damaged, have it repaired by a **MILWAUKEE** service facility before use. If the plug will not fit the outlet, have a proper outlet installed by a qualified electrician.

MILWAUKEE Heavy-Duty 14" Hand-Held Abrasive Cut-Off Grinders are provided with a 20 amp locking plug (NEMA L5-20) (Fig. A).



### Grounded Tools:

#### Tools with Three Prong Plugs

Tools marked "Grounding Required" have a three wire cord and three prong grounding plug. The plug must be connected to a properly grounded outlet (Fig. A). If the tool should electrically malfunction or break down, grounding provides a low resistance path to carry electricity away from the user, reducing the risk of electric shock.

The grounding prong in the plug is connected through the green wire inside the cord to the grounding system in the tool. The green wire in the cord must be the only wire connected to the tool's grounding system and must never be attached to an electrically "live" terminal.

Your tool must be plugged into an appropriate outlet, properly installed and grounded in accordance with all codes and ordinances. The plug and outlet should look like those in Figure A.

### Double Insulated Tools:

#### Tools with Two Prong Plugs

Tools marked "Double Insulated" do not require grounding. They have a special double insulation system which satisfies OSHA requirements and complies with the applicable standards of Underwriters Laboratories, Inc., the Canadian Standard Association and the National Electrical Code. Double Insulated tools may be used in either of the 120 volt outlets shown in Figures B and C.

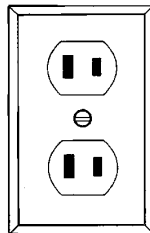


Fig. B

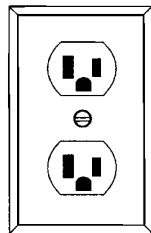


Fig. C

## EXTENSION CORDS

Grounded tools require a three wire extension cord. Double insulated tools can use either a two or three wire extension cord. As the distance from the supply outlet increases, you must use a heavier gauge extension cord. Using extension cords with inadequately sized wire causes a serious drop in voltage, resulting in loss of power and possible tool damage. Refer to the table shown to determine the required minimum wire size.

The smaller the gauge number of the wire, the greater the capacity of the cord. For example, a 14 gauge cord can carry a higher current than a 16 gauge cord. When using more than one extension cord to make up the total length, be sure each cord contains at least the minimum wire size required. If you are using one extension cord for more than one tool, add the nameplate amperes and use the sum to determine the required minimum wire size.

### Guidelines for Using Extension Cords

- If you are using an extension cord outdoors, be sure it is marked with the suffix "W-A" ("W" in Canada) to indicate that it is acceptable for outdoor use.
- Be sure your extension cord is properly wired and in good electrical condition. Always replace a damaged extension cord or have it repaired by a qualified person before using it.
- Protect your extension cords from sharp objects, excessive heat and damp or wet areas.

### Recommended Minimum Wire Gauge for Extension Cords\*

Nameplate Amperes	Extension Cord Length					
	25'	50'	75'	100'	150'	200'
0 - 5	16	16	16	14	12	12
5.1 - 8	16	16	14	12	10	--
8.1 - 12	14	14	12	10	--	--
12.1 - 15	12	12	10	10	--	--
15.1 - 20	10	10	10	--	--	--

\* Based on limiting the line voltage drop to five volts at 150% of the rated amperes.

**READ AND SAVE ALL INSTRUCTIONS FOR  
FUTURE USE.**

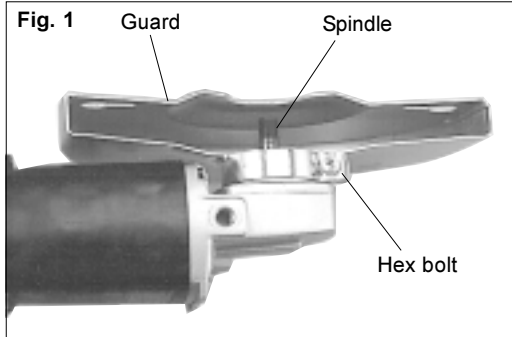
## TOOL ASSEMBLY



### WARNING!

To reduce the risk of injury, always unplug tool before attaching or removing accessories or making adjustments. Use only specifically recommended accessories. Others may be hazardous.

#### Installing Guard (Fig. 1)



1. Place the tool on a firm surface with the spindle hub facing up.
2. Loosen the hex bolt on the guard with the allen wrench provided with the tool.
3. Slide the guard over the spindle hub and tighten the hex bolt with the allen wrench.

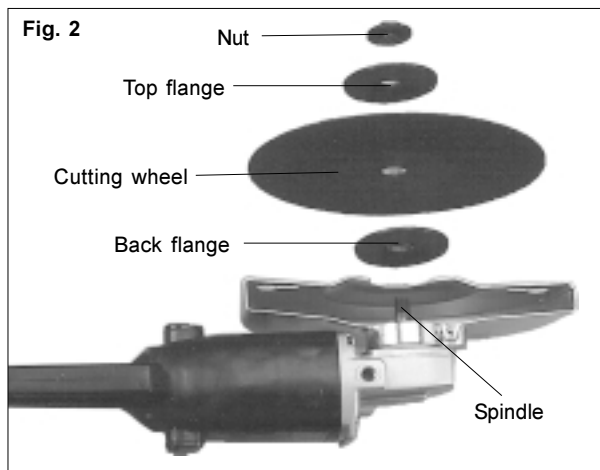


### WARNING!

To reduce the risk of injury, use only the proper wheel made for this tool. DO NOT USE ANY TYPE OF SAW BLADE. USE ONLY TYPE "1" ABRASIVE AND DIAMOND WHEELS.

#### Removing and Installing Cut-Off Wheels (Fig. 2)

Before operating the tool, make sure the wheel is in good condition as described (see "Special Safety Instructions - Hand-Held Abrasive Cut-Off Grinder").



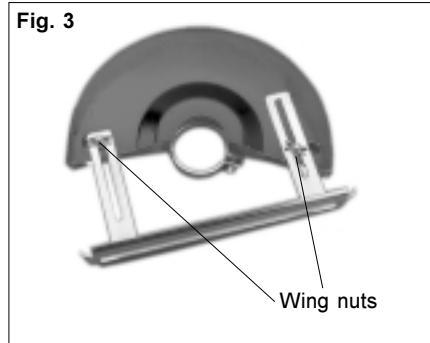
To change wheels:

1. To install cut-off wheels, place tool on a firm surface with the guard surface facing up.
2. Slide the back flange, cut-off wheel, top flange and nut over the spindle.
3. Tighten nut securely with the wrench provided with tool.

**NOTE:** Nut has a left hand thread. To tighten, turn nut in a counter-clockwise rotation.

4. To remove cut-off wheels, loosen and remove nut, top flange and cut-off wheel from spindle by securing back flange with wrench and loosen nut with a second wrench.

#### Installing and Removing Shoe (Fig. 3)



1. To install shoe assembly, loosen wing nuts on shoe assembly.
2. Place the first bolt head into the hole on the guard. Angle shoe assembly as shown, to place the second bolt.
3. Adjust shoe to proper height and tighten wing nuts securely.
4. To remove shoe assembly, loosen wing nuts and slide shoe assembly so that both bolts can be removed from holes in guard.

#### Installing Side Handle

1. To install handle, place tool on guard side.
2. Align bolts with threaded holes in gear case and tighten securely.

## OPERATION

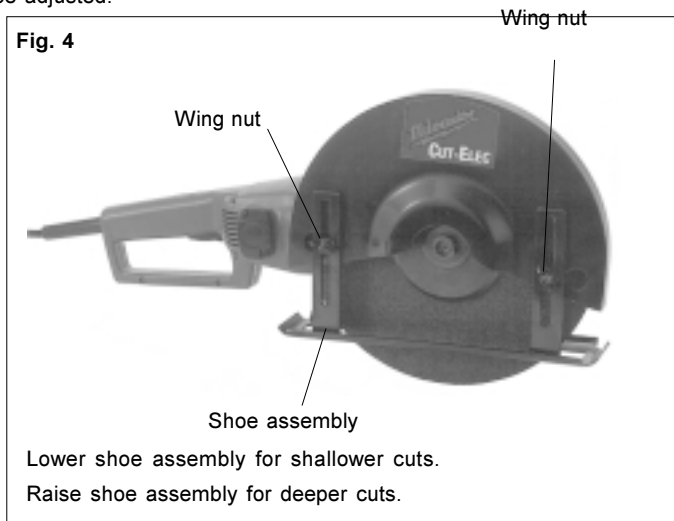


### WARNING!

To reduce the risk of injury, wear safety goggles or glasses with side shields. Unplug the tool before changing accessories or making adjustments.

### Adjusting the Depth of Cut (Fig. 4)

The shoe assembly can be moved to change the depth of cut. Cut-off wheels wear down as they are used and the depth of cut may need to be adjusted.



1. Unplug tool.
2. To change the depth of cut, loosen the wing nuts on shoe assembly (counterclockwise).
3. Position the depth of the shoe assembly for deeper or shallower depth (Fig. 4).

**NOTE:** Make repeated passes at depths of less than 1/2" to achieve the desired depth. Cutting at a depth of more than 1/2" will damage the wheel.

4. Tighten the wing nuts securely (clockwise).

**NOTE:** The MILWAUKEE Hand-Held Abrasive Cut-Off Grinder is designed to cut metal and non-metallic materials. It is NOT recommended for cutting wood. DO NOT attempt to install a saw blade on the tool. DO NOT use with liquids or in damp locations.

### Starting and Stopping the Tool

The tool operates at no load speed of 4350 RPM.

1. Plug in tool.
2. To **start** the tool, pull the trigger.
3. To **stop** the tool, release the trigger.

### Preventing Kickback

Kickback is the sudden reaction to a pinched wheel which could cause a cut-off grinder that is not under control to lift up and out of the workpiece towards the user. Take the precautions below to help prevent kickback.

1. **Maintain a firm grip and correct body position.** Position arms and body to control the backward and upward reaction force of kickback. Control the cut-off grinder at all times.
2. **Set the depth of cut for no more than necessary.** The less wheel exposed, the less chance of binding and kickback. Before cutting, be sure shoe assembly is tight.

3. **Always allow the blade to come to a full stop before removing the cut-off grinder from the workpiece.** Never remove the cut-off grinder from a cut while the blade is moving. If restarting or correcting direction in mid-cut, allow the blade to coast to a stop, back the cut-off grinder up a few inches and center it in the kerf before restarting.
4. **Stay alert.** Any distraction can cause twisting or binding. Repetitive cuts may lull the user into careless movements.
5. **Do not force the tool.** Forcing a cut-off grinder reduces control and cutting efficiency.

If kickback should occur, continue to grip the cut-off grinder firmly and immediately release trigger.



### WARNING!

Only use abrasive and diamond cutting wheels with a maximum safe operating speed greater than the RPM marked on the tool's nameplate.

### Wheel Selection

#### Non-metallic Materials

When cutting non-metallic materials, use a silicone carbide abrasive cut-off wheel of at least 1/8" thickness which is rated with a maximum safe operating speed at least 5000 RPM. READ SAFETY INFORMATION SUPPLIED WITH CUT-OFF WHEEL. Always wear a dust mask.

#### Metallic Materials

When cutting metals, use an aluminum oxide abrasive cut-off wheel of at least 1/8" thickness which is rated with a maximum safe operating speed at least 5000 RPM. READ SAFETY INFORMATION SUPPLIED WITH CUT-OFF WHEEL. Protect everyone in the area from sparks.

#### Masonry Materials

When cutting masonry materials, use dry diamond wheels or silicone carbide abrasive cut-off wheel of at least 1/8" thickness which is rated with a maximum safe operating speed at least 5000 RPM. READ SAFETY INFORMATION SUPPLIED WITH CUT-OFF WHEEL. Always wear a dust mask.

### Making a Cut

1. Unplug tool. Select a cutting depth and adjust the height of the shoe assembly as described in "Adjusting the Depth of Cut".
2. Plug the tool in and pull the trigger. Allow the motor to reach full speed and then slowly lower the wheel into the workpiece.

**NOTE:** Always start the cut gently; do not bang or bump a wheel when starting the cut.

3. While cutting, keep the shoe flat against the workpiece and maintain a firm grip. Do not force the cut-off grinder through the work. Forcing a cut-off grinder can cause kickback.

Make repeated passes at depths of less than 1/2" to achieve the desired depth. Cutting at a depth of more than 1/2" will damage the wheel. Frequently clean dust from air vents and guards.

4. When the cut is finished, always allow the motor to come to a complete stop. Never remove the cut-off grinder from a cut while the blade is moving.
5. If making a partial cut, restarting a cut or correcting cut direction, allow the wheel to come to a complete stop. To resume cutting, center the wheel in the kerf (cutting slot), back the saw away from cutting edge a few inches, pull the trigger and re-enter the cut slowly.

**NOTE:** If the cut-off grinder stalls, maintain a firm grip and release the trigger immediately. Correct the problem before continuing.

## MAINTENANCE



### WARNING!

To reduce the risk of injury, always unplug your tool before performing any maintenance. Never disassemble the tool or try to do any rewiring on the tool's electrical system. Contact a **MILWAUKEE** service facility for ALL repairs.

### Maintaining Tools

Keep your tool in good repair by adopting a regular maintenance program. Before use, examine the general condition of your tool. Inspect guards, switches, tool cord set and extension cord for damage. Check for loose screws, misalignment, binding of moving parts, improper mounting, broken parts and any other condition that may affect its safe operation. If abnormal noise or vibration occurs, turn the tool off immediately and have the problem corrected before further use. Do not use a damaged tool. Tag damaged tools "DO NOT USE" until repaired (see "Repairs").

Under normal conditions, relubrication is not necessary until the motor brushes need to be replaced. After six months to one year, depending on use, return your tool to the nearest **MILWAUKEE** service facility for the following:

- Lubrication
- Brush inspection and replacement
- Mechanical inspection and cleaning (gears, spindles, bearings, housing, etc.)
- Electrical inspection (switch, cord, armature, etc.)
- Testing to assure proper mechanical and electrical operation



### WARNING!

To reduce the risk of injury, electric shock and damage to the tool, never immerse your tool in liquid or allow a liquid to flow inside the tool.

### Cleaning

Clean dust and debris from vents. Keep the tool handles clean, dry and free of oil or grease. Use only mild soap and a damp cloth to clean your tool since certain cleaning agents and solvents are harmful to plastics and other insulated parts. Some of these include: gasoline, turpentine, lacquer thinner, paint thinner, chlorinated cleaning solvents, ammonia and household detergents containing ammonia. Never use flammable or combustible solvents around tools.

### Repairs

If your tool is damaged, return the entire tool to the nearest service center listed on the back cover of this operator's manual.

## ACCESSORIES



### WARNING!

To reduce the risk of injury, always unplug the tool before attaching or removing accessories. Use only specifically recommended accessories. Others may be hazardous.

For a complete listing of accessories refer to your **MILWAUKEE** Electric Tool catalog. To obtain a catalog, contact your local distributor or a service center listed on the back cover of this operator's manual.

### 14" Abrasive Cut-Off Wheels

Cat. No. 49-93-6105                      Cat. No. 49-93-6106  
Cat. No. 49-93-6107                      Cat. No. 49-93-6108

### 12" Abrasive Cut-Off Wheels

Cat. No. 49-93-6101                      Cat. No. 49-93-6102  
Cat. No. 49-93-6103                      Cat. No. 49-93-6104

### 12" Dry Cutting Diamond Blade

Cat. No. 49-93-8030

### Wheel Guard

Cat. No. 43-54-0775

### Shoe

Cat. No. 43-40-0315

### Top Flange

Cat. No. 43-34-0780

### Back Flange

Cat. No. 43-34-0785

### Flange Nut 20mm

Cat. No. 44-40-0605

### Flange Nut 1"

Cat. No. 44-40-0705

### Hex Wrench

Cat. No. 49-96-0225

### Open End Wrench

Cat. No. 49-96-4121

## WARRANTY

Every **MILWAUKEE** product is warranted to be free from defects in material and workmanship. **MILWAUKEE** will repair or replace any product which examination proves to be defective in material or workmanship.

**Limitations:** This warranty does not cover: 1) repairs made or attempted by other than **MILWAUKEE** or **MILWAUKEE** Authorized Service Station personnel; 2) normal wear and tear; 3) abuse; 4) misuse; 5) improper maintenance; 6) continued use after partial failure; 7) tools that have been modified; or product used with an improper accessory.

Battery Packs are warranted for one (1) year from the date of purchase.

Should a problem develop, return the complete product to any **MILWAUKEE** Factory Service Center or **MILWAUKEE** Authorized Service Station, freight prepaid and insured. If inspection shows the problem is caused by a defect in material or workmanship, all repairs or a replacement will be made at no charge and the product will be returned, transportation prepaid. No other warranty, written or verbal, is authorized.

THE REPAIR AND REPLACEMENT REMEDIES DESCRIBED HEREIN ARE EXCLUSIVE. IN NO EVENT SHALL **MILWAUKEE** BE LIABLE FOR ANY INCIDENTAL, SPECIAL, OR CONSEQUENTIAL DAMAGES, INCLUDING LOSS OF PROFITS.

THIS WARRANTY IS IN LIEU OF ALL OTHER WARRANTIES, EXPRESSED OR IMPLIED WHETHER FOR MERCHANTABILITY OR FITNESS FOR PARTICULAR USE OR PURPOSE.

*This warranty gives you specific legal rights. You may also have other rights that vary from state to state. In those states that do not allow the exclusion of implied warranties or limitations of incidental or consequential damages, the above limitations or exclusions may not apply to you.*



## RÈGLES DE SÉCURITÉ GÉNÉRALES



### AVERTISSEMENT!

#### **VOUS DEVEZ LIRE ET COMPRENDRE TOUTES LES INSTRUCTIONS.**


Le non-respect, même partiel, des instructions ci-après entraîne un risque de choc électrique, d'incendie et/ou de blessures graves.

#### **CONSERVEZ CES INSTRUCTIONS.**

### AIRE DE TRAVAIL

1. **Veillez à ce que l'aire de travail soit propre et bien éclairée.** Le désordre et le manque de lumière favorisent les accidents.
2. **N'utilisez pas d'outils électriques dans une atmosphère explosive, par exemple en présence de liquides, de gaz ou de poussières inflammables.** Les outils électriques créent des étincelles qui pourraient enflammer les poussières ou les vapeurs.
3. **Tenez à distance les curieux, les enfants et les visiteurs pendant que vous travaillez avec un outil électrique.** Ils pourraient vous distraire et vous faire faire une fausse manoeuvre. Installez des barrières ou des écrans protecteurs si nécessaire.

### SÉCURITÉ ÉLECTRIQUE

4. **Les outils mis à la terre doivent être branchés dans une prise de courant correctement installée et mise à la terre conformément à tous les codes et règlements pertinents. Ne modifiez jamais la fiche de quelque façon que ce soit, par exemple en enlevant la broche de mise à la terre. N'utilisez pas d'adaptateur de fiche.** Si vous n'êtes pas certain que la prise de courant est correctement mise à la terre, adressez-vous à un électricien qualifié. En cas de défaillance ou de défektivité électrique de l'outil, une mise à la terre offre un trajet de faible résistance à l'électricité qui autrement risquerait de traverser l'utilisateur.
5. **Les outils à double isolation sont équipés d'une fiche polarisée (une des lames est plus large que l'autre), qui ne peut se brancher que d'une seule façon dans une prise polarisée. Si la fiche n'entre pas parfaitement dans la prise, inversez sa position ; si elle n'entre toujours pas bien, demandez à un électricien qualifié d'installer une prise de courant polarisée. Ne modifiez pas la fiche de l'outil.** La double isolation  élimine le besoin d'un cordon d'alimentation à trois fils avec mise à la terre ainsi que d'une prise de courant mise à la terre.
6. **Évitez tout contact corporel avec des surfaces mises à la terre (tuyauterie, radiateurs, cuisinières, réfrigérateurs, etc.).** Le risque de choc électrique est plus grand si votre corps est en contact avec la terre.
7. **N'exposez pas les outils électriques à la pluie ou à l'eau.** La présence d'eau dans un outil électrique augmente le risque de choc électrique.
8. **Ne maltraitez pas le cordon. Ne transportez pas l'outil par son cordon et ne débranchez pas la fiche en tirant sur le cordon. N'exposez pas le cordon à la chaleur, à des huiles, à des arêtes vives ou à des pièces en mouvement. Remplacez immédiatement un cordon endommagé. Un cordon endommagé augmente le risque de choc électrique.**
9. **Lorsque vous utilisez un outil électrique à l'extérieur, employez un prolongateur pour l'extérieur marqué « W-A » ou « W ».** Ces cordons sont faits pour être utilisés à l'extérieur et réduisent le risque de choc électrique.

### SÉCURITÉ DES PERSONNES

10. **Restez alerte, concentrez-vous sur votre travail et faites preuve de jugement. N'utilisez pas un outil électrique si vous êtes fatigué ou sous l'influence de drogues, d'alcool ou de médicaments.** Un instant d'inattention suffit pour entraîner des blessures graves.
11. **Habillez-vous convenablement. Ne portez ni vêtements flottants ni bijoux. Confinez les cheveux longs. N'approchez jamais les cheveux, les vêtements ou les gants des pièces**

**en mouvement.** Des vêtements flottants, des bijoux ou des cheveux longs risquent d'être happés par des pièces en mouvement.

12. **Méfiez-vous d'un démarrage accidentel. Avant de brancher l'outil, assurez-vous que son interrupteur est sur ARRÊT.** Le fait de transporter un outil avec le doigt sur la détente ou de brancher un outil dont l'interrupteur est en position MARCHE peut mener tout droit à un accident.
13. **Enlevez les clés de réglage ou de serrage avant de démarrer l'outil.** Une clé laissée dans une pièce tournante de l'outil peut provoquer des blessures.
14. **Ne vous penchez pas trop en avant. Maintenez un bon appui et restez en équilibre en tout temps.** Une bonne stabilité vous permet de mieux réagir à une situation inattendue.
15. **Utilisez des accessoires de sécurité. Portez toujours des lunettes ou une visière.** Selon les conditions, portez aussi un masque antipoussière, des bottes de sécurité antidérapantes, un casque protecteur et/ou un appareil antibruit.

### UTILISATION ET ENTRETIEN DES OUTILS

16. **Immobilisez le matériau sur une surface stable au moyen de brides ou de toute autre façon adéquate.** Le fait de tenir la pièce avec la main ou contre votre corps offre une stabilité insuffisante et peut amener un dérapage de l'outil.
17. **Ne forcez pas l'outil. Utilisez l'outil approprié à la tâche.** L'outil correct fonctionne mieux et de façon plus sécuritaire. Respectez aussi la vitesse de travail qui lui est propre.
18. **N'utilisez pas un outil si son interrupteur est bloqué.** Un outil que vous ne pouvez pas commander par son interrupteur est dangereux et doit être réparé.
19. **Débranchez la fiche de l'outil avant d'effectuer un réglage, de changer d'accessoire ou de ranger l'outil.** De telles mesures préventives de sécurité réduisent le risque de démarrage accidentel de l'outil.
20. **Rangez les outils hors de la portée des enfants et d'autres personnes inexpérimentées.** Les outils sont dangereux dans les mains d'utilisateurs novices.
21. **Prenez soin de bien entretenir les outils. Les outils de coupe doivent être toujours bien affûtés et propres.** Des outils bien entretenus, dont les arêtes sont bien tranchantes, sont moins susceptibles de coincer et plus faciles à diriger. N'utilisez pas un outil défectueux. Fixez-y une étiquette marquée « Hors d'usage » jusqu'à ce qu'il soit réparé.
22. **Soyez attentif à tout désalignement ou coincement des pièces en mouvement, à tout bris ou à toute autre condition préjudiciable au bon fonctionnement de l'outil. Si vous constatez qu'un outil est endommagé, faites-le réparer avant de vous en servir.** De nombreux accidents sont causés par des outils en mauvais état.
23. **N'utilisez que des accessoires que le fabricant recommande pour votre modèle d'outil.** Certains accessoires peuvent convenir à un outil, mais être dangereux avec un autre.

### RÉPARATION

24. **La réparation des outils électriques doit être confiée à un réparateur qualifié.** L'entretien ou la réparation d'un outil électrique par un amateur peut avoir des conséquences graves.
25. **Pour la réparation d'un outil, n'employez que des pièces de rechange d'origine. Suivez les directives données à la section « Réparation » de ce manuel.** L'emploi de pièces non autorisées ou le non-respect des instructions d'entretien peut créer un risque de choc électrique ou de blessures.

## MESURES DE SÉCURITÉ SPÉCIALES






1. **Pour minimiser les risques de blessures, évitez d'inhaler la poussière dégagée par le disque abrasif.** L'exposition à la poussière peut causer des malaises respiratoires. Utilisez un masque respiratoire approuvé par NIOSH ou OSHA, des lunettes de protection ou un masque facial, des gants et vêtements protecteurs. Assurez une ventilation adéquate pour évacuer la poussière ou en contenir le niveau sous le seuil admissible d'exposition (SAE) selon la classification OSHA.
2. **Tenez l'outil par ses parties isolées lorsqu'il y a risque de contact de l'outil avec des fils sous tension ou même, le cordon de l'outil.** Le contact d'une partie métallique de l'outil avec un fil sous tension comporte un risque de choc électrique.
3. **Entretenez les étiquettes et marques de fabricant.** Les indications qu'elles contiennent sont précieuses. Si elles deviennent illisibles ou se détachent, faites-les remplacer gratuitement à un centre de service **MILWAUKEE** accrédité.
4. **AVERTISSEMENT!** La poussière dégagée par perçage, sclage, perçage et autres travaux de construction contient des substances chimiques reconnues comme pouvant causer le cancer, des malformations congénitales ou d'autres troubles de reproduction. Voici quelques exemples de telles substances :
  - Le plomb contenu dans la peinture au plomb.
  - Le silice cristallin contenu dans la brique, le béton et divers produits de maçonnerie.
  - L'arsenic et le chrome servant au traitement chimique du bois.

Les risques associés à l'exposition à ces substances varient, dépendant de la fréquence des travaux. Afin de minimiser l'exposition à ces substances chimiques, assurez-vous de travailler dans un endroit bien aéré et d'utiliser de l'équipement de sécurité tel un masque antipoussière spécifiquement conçu pour la filtration de particules microscopiques.

### Instructions relatives aux disques

5. Faites la coupe avec le tranchant et non le flanc du disque abrasif. Évitez le gauchissement et le coincement du disque.
6. Tenez les mains et le corps à l'écart du disque en mouvement. Ne portez pas de vêtements amples lorsque vous vous servez de cet outil.
7. Rangez les disques à tronçonner avec soin. Évitez de les laisser tomber et gardez-les à l'abri de la grande chaleur, du froid ou de l'humidité.
8. Assurez-vous que les brides de disques et les autres pièces de montage sont en bonne condition et correctement montés. Une pièce manquante ou une pièce en mauvais état peuvent endommager le disque à tronçonner. Utilisez toujours les brides de montages qui accompagnent l'outil.
9. Couper à l'aide d'un disque en mauvais état est très dangereux. Après avoir installé un nouveau disque, laissez l'outil débranché et faites tourner le disque pour déceler tout gauchissement, craquellement ou autre imperfection. Si le disque est en mauvais état, remplacez-le par un disque neuf. N'employez pas un disque qui a subi un choc car il pourrait être fragile et se briser durant la coupe.
10. Avant de commencer une coupe, écartez-vous de l'outil et laissez tourner le disque pour vérifier s'il est en bonne condition. La durée de la marche d'essai doit être :
  - Au moins 3 minutes lors du remplacement d'un disque à tronçonner.
  - Au moins 1 minute avant de commencer un travail routinier.
11. Avant d'installer un disque sur l'outil, inspectez-le pour y déceler les craquellements. Examinez les disques à composition de plastique ou de caoutchouc pour en déceler les fissures. Avant d'installer un disque sur l'outil, inspectez-le pour y déceler les craquellements. Examinez les disques à composition de plastique ou de caoutchouc pour en déceler les fissures. Remplacez immédiatement tout disque fissuré.
12. Comparez la vitesse de rotation maximale pour laquelle le disque est calibré avec la rotation maximale indiquée sur la fiche de l'outil et n'utilisez pas un disque de calibre inférieur.
13. Ne forcez pas le disque sur le pivot de l'outil et n'en altérez pas le trou d'arbre. N'employez pas un disque dont le trou d'arbre est trop grand. Si un disque ne s'adapte pas parfaitement à l'outil, changez-le pour un qui s'adapte.
14. Faites des entailles successives d'une profondeur de moins de 13 mm (1/2") pour atteindre la profondeur de coupe désirée. Si vous faites une entaille de plus de 13 mm (1/2") à la fois, vous pourrez endommager le disque abrasif.
15. N'essayez pas d'installer une lame de scie sur cet outil car il n'est pas conçu pour couper du bois.
16. Ne serrez pas l'écrou de disque trop à fond.
17. Commencez la coupe seulement après que le moteur a atteint son plein régime.
18. Relâchez immédiatement la commande si le disque à tronçonner s'arrête ou si le moteur semble surchargé.
19. Gardez les produits inflammables et les objets fragiles à l'écart de l'outil. Ne laissez pas les étincelles venir en contact avec les mains, la figure et les pieds.
20. Installez l'outil solidement sur une surface plane et de niveau.
21. Branchez l'outil sur une prise dont le voltage est conforme à celui qui est indiqué sur sa fiche signalétique.
22. Ne touchez pas aux tronçons tant qu'ils ne sont pas refroidis.
23. N'essayez jamais de couper un matériau d'une jauge supérieure à la capacité décrite à la section « Spécifications ».
24. Ne vous postez pas dans le sillage du disque, postez-vous sur le côté.
25. Laissez toujours les gardes en place.
26. Commencez la coupe délicatement. Ne heurtez pas le matériau avec le disque en commençant une coupe.

### Pictographie

	Double Isolation
	Courant alternatif
	Ampères
$n_{\text{xxxx}}/\text{min.}$	Tours-minute à vide (RPM)
	Underwriters Laboratories Inc.
	l'Association canadienne de normalisation (ACNOR)

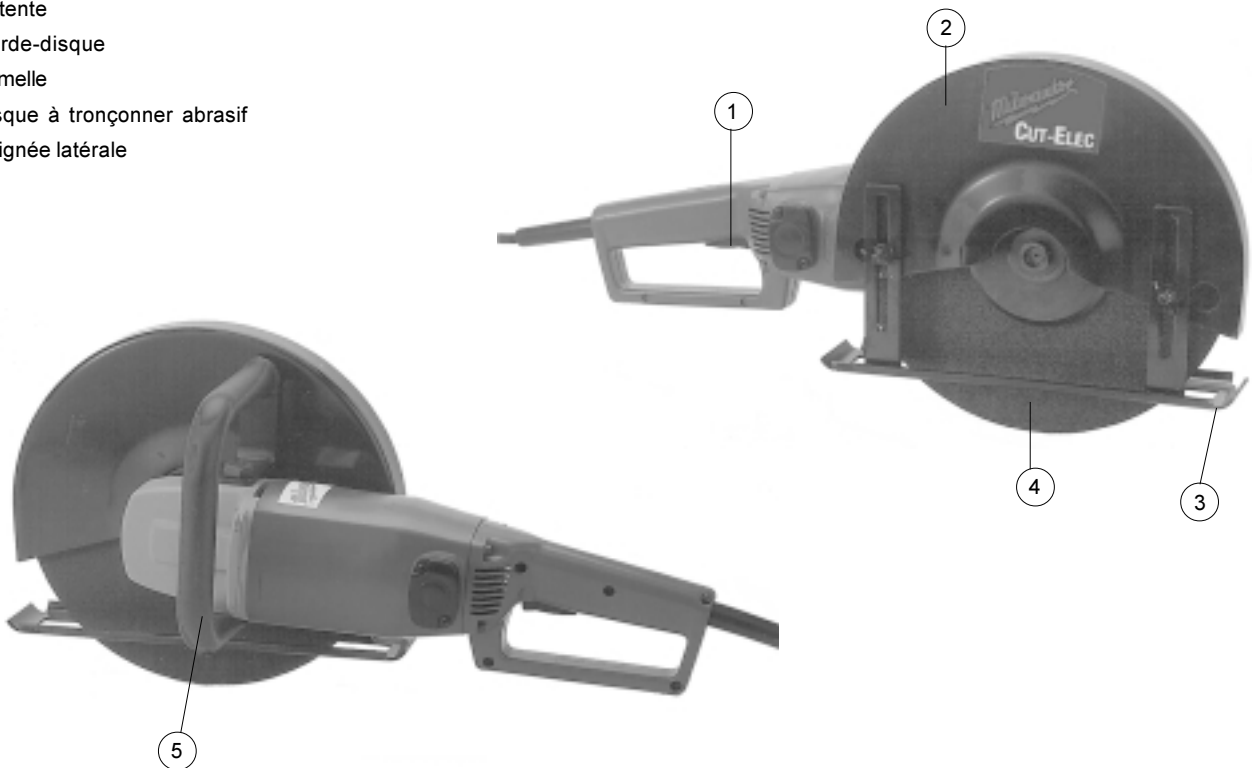
### Spécifications

Capacité de la Tronçonneuse						
No. de Cat.	Dim. du Disque	T/Min. à Vide	Volts CA	Amp.	Capacité de Coupe	Dim. trou d'arbre
6184-01	355 mm (14")	4 350	120	18	113 mm (4-7/16")	20 mm (1")

Capacité du Disque à Tronçonner				
No. de Cat.	Dim. du Disque	T/Min. max. à vide	Épaisseur du disque	Dim. trou d'arbre
6184-01	355 mm (14")	5 000	3,2 mm (1/8")	20 mm (1")

### DESCRIPTION FONCTIONNELLE

1. Détente
2. Garde-disque
3. Semelle
4. Disque à tronçonner abrasif
5. Poignée latérale

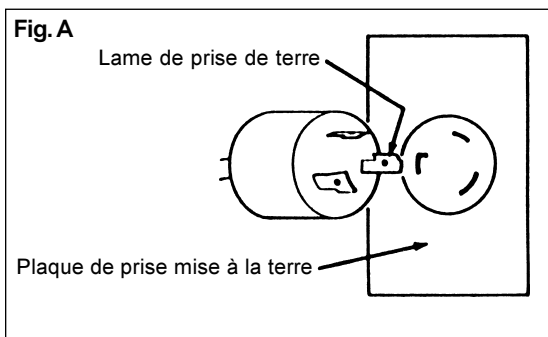


## MISE À LA TERRE



Si le fil de mise à la terre est incorrectement raccordé, il peut en résulter des risques de choc électrique. Si vous n'êtes pas certain que la prise dont vous vous servez est correctement mise à la terre, faites-la vérifier par un électricien. N'altérez pas la fiche du cordon de l'outil. N'enlevez pas de la fiche, la dent qui sert à la mise à la terre. N'employez pas l'outil si le cordon ou la fiche sont en mauvais état. Si tel est le cas, faites-les réparer dans un centre-service **MILWAUKEE** accrédité avant de vous en servir. Si la fiche du cordon ne s'adapte pas à la prise, faites remplacer la prise par un électricien.

La **MILWAUKEE** Extra Robuste Tronçonneuse manuelle à disque abrasif 14po (355mm) est pourvue d'une fiche à verrouillage de 20 ampères (NEMA L5-20) (voir Fig. A).



### Outils mis à la terre :

#### Outils pourvus d'une fiche de cordon à trois dents

Les outils marqués « Mise à la terre requise » sont pourvus d'un cordon à trois fils dont la fiche a trois dents. La fiche du cordon doit être branchée sur une prise correctement mise à la terre (voir Figure A). De cette façon, si une déféctuosité dans le circuit électrique de l'outil survient, le relais à la terre fournira un conducteur à faible résistance pour décharger le courant et protéger l'utilisateur contre les risques de choc électrique.

La dent de mise à la terre de la fiche est reliée au système de mise à la terre. L'extrémité ne doit jamais être raccordée à une borne sous tension électrique.

Votre outil doit être branché sur une prise appropriée, correctement installée et mise à la terre conformément aux codes et ordonnances en vigueur. La fiche du cordon et la prise de courant doivent être semblables à celles de la Figure A. Pour brancher une fiche à verrou tournant semblable à celles qui sont, insérez à fond la fiche dans la prise correspondante et tournez-la en sens horaire jusqu'à ce qu'elle bloque. Pour débrancher la fiche, tournez-la en sens inverse-horaire et retirez-la de la prise.

### Outils à double isolation :

#### Outils pourvus d'une fiche de cordon à deux dents

Les outils marqués « Double Isolation » n'ont pas besoin d'être raccordés à la terre. Ils sont pourvus d'une double isolation conforme aux exigences de l'OSHA et satisfont aux normes de l'Underwriters Laboratories, Inc., de l'Association canadienne de normalisation (ACNOR) et du « National Electrical Code » (code national de l'électricité). Les outils à double isolation peuvent être branchés sur n'importe laquelle des prises à 120 volt illustrées ci-contre Figure B et C.

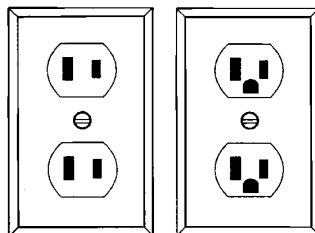


Fig. B

Fig. C

## CORDONS DE RALLONGE

Si l'emploi d'un cordon de rallonge est nécessaire, un cordon à trois fils doit être employé pour les outils mis à la terre. Pour les outils à double isolation, on peut employer indifféremment un cordon de rallonge à deux ou trois fils. Plus la longueur du cordon entre l'outil et la prise de courant est grande, plus le calibre du cordon doit être élevé. L'utilisation d'un cordon de rallonge incorrectement calibré entraîne une chute de voltage résultant en une perte de puissance qui risque de détériorer l'outil. Reportez-vous au tableau ci-contre pour déterminer le calibre minimum du cordon.

Moins le calibre du fil est élevé, plus sa conductivité est bonne. Par exemple, un cordon de calibre 14 a une meilleure conductivité qu'un cordon de calibre 16. Lorsque vous utilisez plus d'une rallonge pour couvrir la distance, assurez-vous que chaque cordon possède le calibre minimum requis. Si vous utilisez un seul cordon pour brancher plusieurs outils, additionnez le chiffre d'intensité (ampères) inscrit sur la fiche signalétique de chaque outil pour obtenir le calibre minimal requis pour le cordon.

### Directives pour l'emploi des cordons de rallonge

- Si vous utilisez une rallonge à l'extérieur, assurez-vous qu'elle est marquée des sigles « W-A » (« W » au Canada) indiquant qu'elle est adéquate pour usage extérieur.
- Assurez-vous que le cordon de rallonge est correctement câblé et en bonne condition. Remplacez tout cordon de rallonge détérioré ou faites-le remettre en état par une personne compétente avant de vous en servir.
- Tenez votre cordon de rallonge à l'écart des objets tranchants, des sources de grande chaleur et des endroits humides ou mouillés.

### Calibres minimaux recommandés pour les cordons de rallonge\*

Fiche signalétique Ampères	Longueur du cordon de rallonge (m)					
	7,6	15,2	22,8	30,4	45,7	60,9
0 - 5,0	16	16	16	14	12	12
5,1 - 8,0	16	16	14	12	10	--
8,1 - 12,0	14	14	12	10	--	--
12,1 - 15,0	12	12	10	10	--	--
15,1 - 20,0	10	10	10	--	--	--

\* Basé sur une chute de voltage limite de 5 volts à 150% de l'intensité moyenne de courant.

## LISEZ ATTENTIVEMENT CES INSTRUCTIONS ET CONSERVEZ-LES POUR LES CONSULTER AU BESOIN.

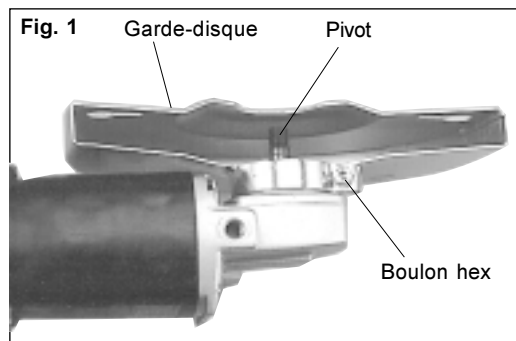
## MONTAGE DE L'OUTIL



### AVERTISSEMENT!

Pour réduire les risques de blessures, débranchez toujours l'outil avant d'y faire des réglages, d'y attacher ou d'en enlever les accessoires. L'usage d'accessoires autres que ceux qui sont spécifiquement recommandés pour cet outil peut comporter des risques.

#### Installation du garde-lame (Fig. 1)



1. Placez l'outil sur une surface ferme avec le bout du pivot pointant vers le haut.
2. Dévissez le boulon hex du garde-lame à l'aide de la clé Allen qui accompagne l'outil.
3. Glissez le garde-lame sur le pivot et vissez le boulon hex avec la clé Allen.

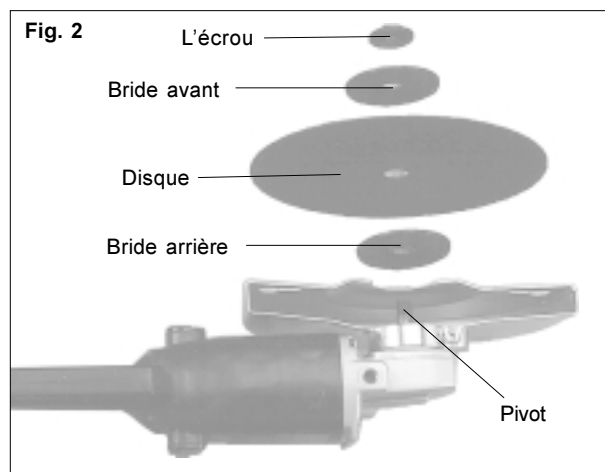


### AVERTISSEMENT!

Pour minimiser les risques de blessures, n'utilisez que les disques adéquats convenant à cet outil. N'EMPLOYEZ PAS D'AUTRES TYPES DE LAMES DE SCIE, UNIQUEMENT LES DISQUES ABRASIFS OU AU DIAMANT DE TYPE « 1 ».

#### Installation et retrait des disques à tronçonner (Fig. 2)

Avant d'utiliser l'outil, assurez-vous que le disque est en bon état, tel qu'indiqué (voir « Mesures de sécurité spéciales »).



Pour remplacer le disque:

1. Pour installer un disque, placez l'outil sur une surface ferme avec la surface du garde-lame pointant vers le haut.
2. Glissez la bride arrière, le disque, la bride avant et l'écrou sur le pivot.

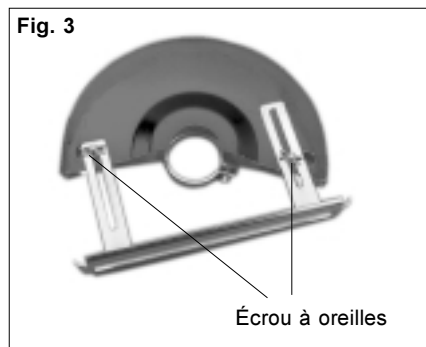
3. Serrez l'écrou solidement à l'aide des clés (2) qui accompagnent l'outil.

**N.B.** L'écrou est à filetage gaucher, pour le serrer, tournez-le en sens inverse-horaire.

4. Pour retirer le disque, maintenez la bride arrière avec une clé, puis dévissez et enlevez l'écrou, la bride avant et le disque du pivot.

#### Installation et retrait de la semelle (Fig. 3)

Fig. 3



1. Pour installer la semelle, dévissez les écrous à oreilles de la semelle.
2. Placez la tête du premier boulon dans le trou du garde. Placez la semelle selon l'angle indiqué pour poser le second boulon.
3. Réglez la semelle à la hauteur désirée et serrez les écrous à oreilles à fond.
4. Pour retirer la semelle, dévissez les écrous à oreilles et glissez la semelle de façon à pouvoir retirer les boulons des trous dans le garde.

#### Installation de la poignée latérale

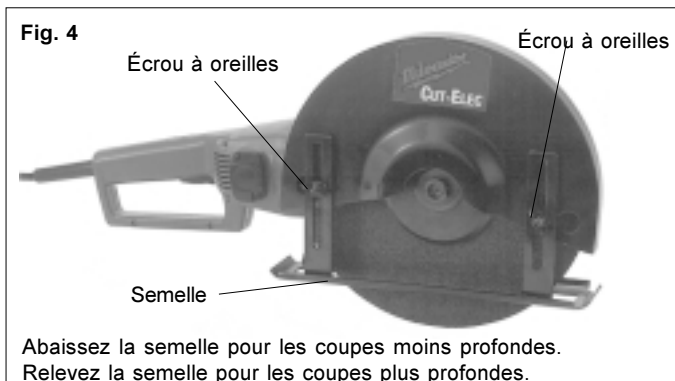
1. Pour installer la poignée, placez l'outil sur le côté du garde.
2. Alignez les boulons sur les trous filetés de la boîte d'engrenages et serrez-les à fond.

### ⚠ **AVERTISSEMENT!**

**Pour minimiser les risques de blessures, portez des lunettes à coques latérales. Débranchez l'outil avant de changer les accessoires ou d'effectuer des réglages.**

#### Réglage de la profondeur de coupe (Fig. 4)

La semelle peut être déplacée pour changer la profondeur de la coupe. Les disques à tronçonner s'usent à l'usage et la profondeur de coupe peut s'en trouver modifiée.



1. Débranchez l'outil.
2. Pour régler la profondeur de coupe, desserrez (sens inverse-horaire) et retirez l'écrou à oreilles.
3. Placez la semelle à la position désirée pour une coupe plus profonde ou moins profonde (Fig. 4).

**N.B.** Faites des entailles successives d'une profondeur de moins de 13 mm (1/2") pour atteindre la profondeur de coupe désirée. Si vous faites une entaille de plus de 13 mm (1/2") à la fois, vous pourrez endommager le disque abrasif.

4. Remettez l'écrou à oreilles en place et serrez-le solidement en sens horaire.

**N.B.** La tronçonneuse manuelle à disque abrasif **MILWAUKEE** est conçue pour couper des matériaux métalliques ou non métalliques. Elle **N'EST PAS** recommandée pour couper le bois. **N'ESSAYEZ PAS** d'installer une lame de scie sur cet outil. **NE L'UTILISEZ PAS** à la pluie ou dans des conditions d'humidité.

#### Démarrage et arrêt de l'outil

L'outil fonctionne à une vitesse de rotation à vide de 4 350 t/min.

1. Branchez l'outil.
2. Pour **mettre** l'outil en marche, appuyez sur la détente.
2. Pour **arrêter** l'outil, relâchez la détente.

#### Prévention du mouvement de recul

Le mouvement de recul est une réaction soudaine qui survient lorsque le disque reste coincé. Si l'outil n'est pas maîtrisé solidement, le mouvement de recul peut le projeter hors de l'entaille et vers l'utilisateur. Prenez les précautions suivantes pour éviter le mouvement de recul.

1. **Conservez un bon maintien et une bonne prise.** Mettez votre corps et vos bras en position de résister au mouvement vers l'arrière ou vers le haut. Gardez le contrôle de l'outil en tout temps.
2. **Réglez la profondeur de coupe comme il faut.** Moins le disque est exposé, moins le risque de coincement et de recul est grand. Avant d'effectuer une coupe, assurez-vous que la semelle est fixée solidement.
3. **Laissez toujours le disque s'arrêter complètement avant de sortir la tronçonneuse de l'entaille.** Ne retirez jamais l'outil d'une entaille tandis que le disque tourne encore. Si vous devez remettre l'outil en marche ou corriger sa trajectoire à mi-coupe, laissez le disque s'arrêter de lui-même, tirez l'outil quelques pouces vers l'arrière et centrez-la dans l'entaille avant de la remettre en marche.

4. **Soyez attentif.** Une distraction peut occasionner le coincement ou le gauchissement du disque. Les coupes à répétitions peuvent lasser l'utilisateur et favoriser les imprudences.
5. **Ne forcez pas l'outil.** Forcer l'outil réduit la maîtrise et l'efficacité de la coupe.

S'il survient un mouvement de recul, conservez l'emprise sur l'outil et relâchez immédiatement la détente.

### ⚠ **AVERTISSEMENT!**

**N'employez que des disques à tronçonner abrasifs ou des disques au diamant dont le calibre de rotation sécuritaire est supérieur à la rotation maximale indiquée sur la fiche signalétique de l'outil.**

#### Choix des disques abrasifs

##### Matériaux non métalliques

Si vous coupez des matériaux non métalliques, utilisez un disque à tronçonner en carbure de silicium d'au moins 3,2 mm (1/8") d'épaisseur et dont le calibre de rotation sécuritaire excède 5 000 tours-min. **LISEZ LES CONSIGNES DE SÉCURITÉ QUI ACCOMPAGNENT LA TRONÇONNEUSE.** Portez toujours un masque antipoussière.

##### Matériaux métalliques

Lorsque vous coupez du métal, utilisez un disque abrasif en corindon d'environ 3,2 mm (1/8") d'épaisseur et dont le calibre de rotation sécuritaire excède 5 000 tours-min. **LISEZ LES CONSIGNES DE SÉCURITÉ QUI ACCOMPAGNENT LA TRONÇONNEUSE.** Protégez des étincelles les gens qui vous entourent.

##### Matériaux en maçonnerie

Lorsque vous coupez des matériaux en maçonnerie, utilisez un disque au diamant ou un disque à tronçonner en carbure de silicium pour coupe à sec. d'au moins 3,2mm (1/8") d'épaisseur et dont le calibre de rotation sécuritaire excède 5 000 tours-min. **LISEZ LES CONSIGNES DE SÉCURITÉ QUI ACCOMPAGNENT LA TRONÇONNEUSE.** Portez toujours un masque antipoussière.

#### Pour faire une coupe

1. Débranchez l'outil. Choisissez la profondeur de coupe et réglez la hauteur de la semelle tel que décrit sous le titre « Réglage de la profondeur de coupe ».
2. Branchez l'outil et appuyez sur la détente. Laissez le moteur atteindre son plein régime, puis abaissez la tête de l'outil dans le matériau.  
**N.B.** Commencez toujours la coupe doucement, sans frapper durement le disque sur le matériau.
3. Durant la coupe, gardez la semelle à plat contre le matériau et tenez fermement l'outil. **Ne forcez pas** la tronçonneuse dans le matériau, il pourrait en résulter un mouvement de recul.

Faites des entailles successives d'une profondeur de moins de 13 mm (1/2") pour atteindre la profondeur de coupe désirée. Si vous faites une entaille de plus de 13 mm (1/2") à la fois, vous pourrez endommager le disque abrasif. Chassez fréquemment la poussière des événements et du garde-lame.

4. Lorsqu'une coupe est terminée, laissez toujours le moteur s'arrêter complètement avant de retirer le disque de la coupe. **Ne retirez jamais** le disque abrasif de la coupe pendant qu'il tourne encore.
5. Si vous faites une coupe partielle ou si vous redémarrez à mi-coupe et changez de trajectoire, laissez le disque s'arrêter complètement. Pour reprendre la coupe, centrez le disque dans l'entaille, reculez de quelques pouces des bords de l'entaille, appuyez sur la détente et entrez doucement dans l'entaille.

**N.B.** Si l'outil s'arrête de tourner, maintenez une prise ferme et relâchez immédiatement la détente. Faites les corrections nécessaires avant de continuer la coupe.

## MAINTENANCE



### AVERTISSEMENT!

Pour minimiser les risques de blessures, débranchez toujours l'outil avant d'y effectuer des travaux de maintenance. Ne faites pas vous-même le démontage de l'outil ni le rebobinage du système électrique. Consultez un centre de service **MILWAUKEE** accrédité pour toutes les réparations.

### Entretien de l'outil

Gardez l'outil en bon état en adoptant un programme d'entretien ponctuel. Avant de vous en servir, examinez son état en général. Inspectez-en la garde, interrupteur, cordon et cordon de rallonge pour en déceler les défauts. Vérifiez le serrage des vis, l'alignement et le jeu des pièces mobiles, les vices de montage, bris de pièces et toute autre condition pouvant en rendre le fonctionnement dangereux. Si un bruit ou une vibration insolite survient, arrêtez immédiatement l'outil et faites-le vérifier avant de vous en servir de nouveau. N'utilisez pas un outil défectueux. Fixez-y une étiquette marquée « HORS D'USAGE » jusqu'à ce qu'il soit réparé (voir « Réparations »).

Normalement, il ne sera pas nécessaire de lubrifier l'outil avant que le temps ne soit venu de remplacer les balais. Après une période pouvant aller de 6 mois à un an, selon l'usage, retournez votre outil à un centre de service **MILWAUKEE** accrédité pour obtenir les services suivants :

- Lubrification
- Inspection et remplacement des balais
- Inspection et nettoyage de la mécanique (engrenages, pivots, coussinets, boîtier etc.)
- Inspection électrique (interrupteur, cordon, induit etc.)
- Vérification du fonctionnement électromécanique



### AVERTISSEMENT!

Pour minimiser les risques de blessures, choc électrique et dommage à l'outil, n'immergez jamais l'outil et ne laissez pas de liquide s'y infiltrer.

### Nettoyage

Débarrassez les événements des débris et de la poussière. Gardez les poignées de l'outil propres, à sec et exemptes d'huile ou de graisse. Le nettoyage de l'outil doit se faire avec un linge humide et un savon doux. Certains nettoyants tels l'essence, la térébenthine, les diluants à laque ou à peinture, les solvants chlorés, l'ammoniaque et les détergents d'usage domestique qui en contiennent pourraient détériorer le plastique et l'isolation des pièces. Ne laissez jamais de solvants inflammables ou combustibles auprès des outils.

### Réparations

Si votre outil doit être réparé, retournez-le en entier au centre-service le plus près selon la liste apparaissant à la dernière page de ce manuel.

## ACCESSOIRES



### AVERTISSEMENT!

Pour minimiser les risques de blessures, débranchez toujours l'outil avant d'y installer ou d'en enlever les accessoires. L'emploi d'accessoires autres que ceux qui sont expressément recommandés pour cet outil peut présenter des risques.

Pour une liste complète des accessoires, prière de se reporter au catalogue **MILWAUKEE** Electric Tool. Pour obtenir un catalogue, il suffit de contacter votre distributeur local ou l'un des centres-service énumérés sur la page de couverture de ce manuel.

#### Disque à tronçonner abrasif 355 mm (14")

No de Cat. 49-93-6105

No de Cat. 49-93-6106

No de Cat. 49-93-6107

No de Cat. 49-93-6108

#### Disque à tronçonner abrasif 305 mm (12")

No de Cat. 49-93-6101

No de Cat. 49-93-6102

No de Cat. 49-93-6103

No de Cat. 49-93-6104

#### Disque au diamant 305 mm (12")

No de Cat. 49-93-8030

#### Garde-disque

No de Cat. 43-54-0775

#### L'écrou 20mm

No de Cat. 44-40-0605

#### Semelle

No de Cat. 43-40-0315

#### L'écrou 25,4mm (1")

No de Cat. 44-40-0705

#### Bride avant

No de Cat. 43-34-0780

#### Cle hex.

No de Cat. 49-96-0225

#### Bride arrière

No de Cat. 43-34-0785

#### Clé à fourche

No de Cat. 49-96-4121

## GARANTIE

Chaque produit **MILWAUKEE** porte la garantie d'être exempt de défauts de matériaux ou de fabrication. **MILWAUKEE** réparera ou remplacera tout produit porteur de défauts de matériaux ou de fabrication.

**Limites :** La présente garantie ne s'applique pas dans les cas suivants : (1) Des réparations ont été effectuées ou tentées par d'autres personnes que des techniciens mandatés par **MILWAUKEE** ou ses centres de service accrédités. (2) Les réparations sont rendues nécessaires par l'usure normale de l'outil. (3) L'outil a été employé abusivement. (4) L'outil a servi à un usage anormal. (5) L'outil a reçu un entretien inadéquat. (6) L'outil a été utilisé après une défaillance partielle. (7) L'outil a été modifié ou employé avec un accessoire incompatible.

Les batteries sont garanties pour un (1) an à compter de la date d'achat.

S'il survient un trouble, retournez l'outil au complet port payé à une succursale de service **MILWAUKEE** ou un centre de service **MILWAUKEE** accrédité. Si l'examen de l'outil démontre que le trouble est dû à un défaut de fabrication ou de matériaux, les réparations seront effectuées gratuitement et l'outil vous sera retourné aux frais de **MILWAUKEE**. Nulle autre forme de garantie, écrite ou verbale, n'est autorisée.

LES RÉPARATIONS OU REMPLACEMENTS DÉCRITS CI-DESSUS SONT EXCLUSIFS. **MILWAUKEE** NE SAURAIT, ENAUCUN CAS, ÊTRE TENUE RESPONSABLE DES DOMMAGES INCIDENTS, SPÉCIAUX OU CONSÉCUTIFS, Y COMPRIS LA PERTE DE REVENUS.

LA PRÉSENTE GARANTIE ANNULE ET REMPLACE TOUTE AUTRE GARANTIE, EXPRESSE OU IMPLICITE, DE QUALITÉ MARCHANDE OU D'APTITUDE À UN USAGE OU À UN BUT PARTICULIER.

**La présente garantie vous confère des droits juridiques spécifiques. Vous pouvez avoir d'autres droits variant d'un état à l'autre. Dans ces états qui ne permettent pas l'exclusion de garanties implicites ou de limites de dommages incidents ou consécutifs, il se peut que les exclusions ou limites de la présente garantie ne soient pas applicables.**

## REGLAS GENERALES DE SEGURIDAD



**¡ADVERTENCIA!**

### LEA Y ENTIENDA TODAS LAS INSTRUCCIONES


El no seguir las instrucciones a continuación puede ocasionar una descarga eléctrica, incendio y/o lesiones graves.

### GUARDE ESTAS INSTRUCCIONES

#### AREA DE TRABAJO

1. **Mantenga el área de trabajo limpia e iluminada.** Las mesas de trabajo desordenadas y las áreas con poca iluminación propician los accidentes.
2. **No opere las herramientas con motor en ambientes explosivos, tales como los ambientes con líquidos, gases o polvo inflamables.** Las herramientas con motor producen chispas que pueden inflamar el polvo o los gases.
3. **Mantenga a las personas alejadas mientras esté utilizando una herramienta con motor.** Las distracciones pueden causar la pérdida del control de la herramienta. Proteja a las demás personas en el área de trabajo contra escombros, tales como astillas y chispas. Instale barreras si se necesitan.

#### SEGURIDAD ELECTRICA

4. **Las herramientas conectadas a tierra deben estar enchufadas en un toma corriente que esté instalado correctamente y conectado a tierra de acuerdo con todos los códigos y ordenanzas vigentes. Nunca retire la clavija de conexión a tierra o modifique el enchufe de ninguna manera. No use enchufes adaptadores. Consulte a un electricista capacitado si tiene dudas para asegurar que el tomacorriente esté correctamente conectado a tierra.** Si las herramientas sufren fallas eléctricas, la conexión a tierra proporciona una trayectoria de baja resistencia para que el usuario no quede expuesto a la electricidad.
5. **Las herramientas con aislamiento doble están equipadas con un enchufe polarizado (una clavija es más ancha que la otra). Hay una sola manera de introducir este enchufe en una toma polarizada. Si el enchufe no se ajusta completamente en la toma, dé vuelta el enchufe. Si el problema persiste, póngase en contacto con un electricista calificado para que instale una toma polarizada. No cambie la toma de ninguna manera.** El aislamiento doble  elimina la necesidad de un cable de energía con conexión a tierra con 3 alambres y la de un sistema de suministro de energía con conexión a tierra.
6. **Evite contacto físico con las superficies conectadas a tierra, tales como tuberías, radiadores, cocinas y refrigeradores.** Existe un riesgo de un choque eléctrico mayor si su cuerpo está expuesto a tierra.
7. **No exponga las herramientas eléctricas a condiciones de lluvia o humedad.** El agua que entra en una herramienta eléctrica aumentará el riesgo de choque eléctrico.
8. **No maltrate el cable. Nunca use el cable para transportar las herramientas ni para sacar el enchufe de la toma eléctrica. Mantenga el cable lejos de calefacción, petróleo, bordes afilados o cualquier parte móvil. Reemplace inmediatamente cualquier cable dañado.** Los cables dañados aumentan el riesgo de choque eléctrico.
9. **Al operar una herramienta eléctrica a la intemperie, use un cordón de extensión para la intemperie marcado "W-A" o "W".** Estos cordones están aprobados para usos exteriores y reducen el riesgo del choque eléctrico.

#### SEGURIDAD PERSONAL

10. **Esté alerta. Revise su trabajo y use el sentido común. No opere su herramienta cuando esté cansado, distraído o bajo la influencia de drogas, alcohol o medicamentos.** Un momento de descuido cuando operando un herramienta eléctrica puede resultar en lesiones graves.

11. **Utilice ropa adecuada.** No use ropa suelta o joyas. Mantenga el cabello largo, ropa y guantes alejados de las partes móviles.
12. **Evite los arranques accidentales.** Verifique que el interruptor esté apagado antes de enchufar la herramienta. Transportar la herramienta por el gatillo o enchufarla con el interruptor encendido puede ocasionar accidentes.
13. **Saque las llaves de ajuste antes de encender la herramienta.** Una llave sujeta a una parte en movimiento puede causar lesiones.
14. **No se esfuerce, mantenga el control y el balance en todo momento.** Mantenga siempre una postura y un balance adecuados. Una postura y un balance correctos otorga un mejor control ante situaciones inesperadas.
15. **Utilice el equipo de seguridad. Siempre use protección para los ojos.** Se debe usar una máscara contra el polvo, zapatos de seguridad antidelizantes, casco y protector para los oídos, cuando las condiciones así lo requieran.

#### USO Y MANTENIMIENTO DE LA HERRAMIENTA

16. **Utilice abrazaderas u otra manera práctica para sujetar y apoyar el material en una plataforma estable.** Tener el material en la mano o contra el cuerpo es inestable y puede causar la pérdida del control.
17. **No fuerce la herramienta. Utilice la herramienta apropiada para la aplicación.** La herramienta realizará el trabajo de manera más eficaz y segura, si la opera a la velocidad apropiada.
18. **Si el gatillo no enciende o apaga la herramienta, no utilice la herramienta.** Una herramienta que no se puede controlar con el gatillo es peligrosa y debe ser reparada.
19. **Desconecte el enchufe de la fuente de energía antes de realizar cualquier ajuste, cambiar los accesorios o almacenar la herramienta.** Tales medidas precautorias de seguridad reducen el riesgo de encender la herramienta accidentalmente.
20. **Almacene las herramientas que no se estén usando fuera del alcance de los niños y de personas que no estén capacitadas.** Es peligroso permitir a los usuarios utilizar las herramientas, si no están capacitados previamente.
21. **Mantenga las herramientas en buenas condiciones. Las herramientas cortadoras deben mantenerse afiladas y limpias.** Esto reduce el riesgo de que la herramienta se atasque y facilita el control de la misma. No utilice una herramienta dañada. Coloque una etiqueta que diga "No Debe Usarse" hasta que sea reparada.
22. **Verifique que las partes en movimiento estén alineadas y no estén atascadas. También debe verificarse que las partes no estén rotas o tengan cualquier otra condición que pueda afectar el funcionamiento de la herramienta. Si está dañada, se debe reparar la herramienta antes de utilizarla.** Muchos accidentes se deben al mantenimiento incorrecto de la herramienta.
23. **Utilice solamente los accesorios recomendados por el fabricante para ese modelo.** Los accesorios que son apropiados para una herramienta pueden aumentar el riesgo de lesiones cuando se usan con otra herramienta.

#### SERVICIO

24. **El servicio de mantenimiento debe ser realizado solamente por personal técnico debidamente capacitado.** El servicio o mantenimiento realizado por personal no calificado puede aumentar el riesgo de lesiones.



25. Cuando realice el servicio de mantenimiento, utilice solamente repuestos idénticos. Siga las instrucciones en la sección de mantenimiento de este manual. El uso de partes no autorizadas o el incumplimiento de las instrucciones de mantenimiento puede aumentar el riesgo de descarga eléctrica o lesiones.

## REGLAS ESPECIFICAS DE SEGURIDAD





1. **Para reducir el riesgo de lesión, evite inhalar el polvo generado por la abrasión y las operaciones de corte.** El exponerse a este tipo de polvo puede causar enfermedades respiratorias. Use respiradores aprobados por NIOSH o OSHA. Use también anteojos de seguridad y caretas de protección, al igual que guantes y ropa de seguridad. Logre una ventilación adecuada con el objeto de eliminar el polvo o para mantenerlo debajo del límite de seguridad recomendado por OSHA.
2. **Sostenga la herramienta por las superficies aisladas cuando realice una operación donde la herramienta cortadora puede entrar en contacto con alambres que no estén visibles o su propio cordón.** Hacer contacto con un alambre con corriente hará que las partes metálicas expuestas de la herramienta también tengan corriente y produzcan una descarga sobre el operador.
3. **Guarde las etiquetas y placas de especificaciones.** Estas tienen información importante. Si son ilegibles o si no se pueden encontrar, póngase en contacto con un centro de servicio de *MILWAUKEE* para una refacción gratis.
4. **¡ADVERTENCIA!** Algunas partículas de polvo resultantes del lijado mecánico, aserrado, esmerilado, taladrado y otras actividades relacionadas a la construcción, contienen sustancias químicas que se saben ocasionan cáncer, defectos congénitos u otros daños al aparato reproductivo. A continuación se citan algunos ejemplos de tales sustancias químicas:
  - plomo proveniente de pinturas con base de plomo
  - sílice cristalino proveniente de ladrillos, cemento y otros productos de albañilería y
  - arsénico y cromo provenientes de madera químicamente tratada.

El riesgo que usted sufre debido a la exposición varía dependiendo de la frecuencia con la que usted realiza estas tareas. Para reducir la exposición a estas sustancias químicas: trabaje en un área bien ventilada, y utilice equipo de seguridad aprobado como, por ejemplo, máscaras contra el polvo que hayan sido específicamente diseñadas para filtrar partículas microscópicas.

### Instrucciones para el disco abrasivo

5. Para cortar, use solo las orillas (no los lados) del disco. No permita que el disco se doble o deforme.
6. Mantenga el cuerpo y las manos lejos del disco giratorio. No use ropas sueltas cuando use esta herramienta.
7. Almacene con cuidado los discos abrasivos. No los deje caer o los exponga a un calor, frío o humedad excesivos.
8. Asegúrese que todas las rondanas del disco así como los demás implementos de montaje están en buenas condiciones y se usan siempre en forma adecuada. El uso de partes defectuosas, o si hay partes faltantes, pueden causar daño al disco abrasivo. Use siempre las rondanas de montaje que se suministran con la herramienta.
9. Es muy peligroso cortar con un disco dañado. Luego de instalar un nuevo disco, deje la herramienta sin conectar y gire el disco con la mano para cerciorarse que no está disperejo, roto o dañado. Si lo está, deséchelo y reemplácelo con uno nuevo. No use un disco que se haya caído ya que el impacto puede haberlo roto.
10. Antes de iniciar un corte, aléjese de la herramienta al tiempo que la acciona, con el objeto de verificar que el disco está en buenas condiciones. Los tiempos para una verificación son:
  - Cuando cambie un disco abrasivo—no menos de 3 minutos.
  - Cuando inicia un trabajo rutinario—un poco más de un minuto.
11. Antes de instalar un disco, inspecciónelo para ver si tiene fracturas. Verifique visualmente las uniones de resinas y de hule para ver si no están rotas. Reemplace de inmediato todo disco agrietado.
12. Verifique siempre la máxima velocidad de operación establecida para el disco y compárela contra la de la herramienta. No exceda la velocidad máxima de operación marcada en el disco.
13. No force el disco dentro de la herramienta ni le altere el tamaño de la entrada del mismo. No use un disco que entre en la flecha con mucha soltura. Si el disco no se ajusta a la herramienta, consiga uno que lo haga.
14. Corte sucesivamente a profundidades menores de 13mm (1/2 de pulg.) para alcanzar la profundidad deseada. El cortar con una profundidad mayor de 13mm (1/2 de pulg.) dañará el disco.
15. No intente colocar un disco de corte de sierra en esta herramienta ya que no está diseñada para cortar madera.
16. No apriete excesivamente la tuerca del disco.
17. Inicie el corte una vez que la herramienta haya alcanzado su máxima velocidad.
18. Suelte el interruptor de inmediato en caso que el disco abrasivo de corte se detenga o el motor suene como si se estuviera forzando.
19. Corte sucesivamente a profundidades menores de 13mm (1/2 de pulg.) para alcanzar la profundidad deseada. El cortar con una profundidad mayor de 13mm (1/2 de pulg.) dañará el disco. Mantenga alejados de la herramienta los objetos inflamables o frágiles. No permita que las chispas lleguen a tener contacto con las manos del operario.
20. Coloque la sierra en forma segura, en una superficie plana y nivelada.
21. Use siempre la herramienta con el voltaje adecuado indicado en la placa de especificaciones.
22. No toque nunca un pedazo de material cortado hasta que este se enfríe.
23. Nunca intente cortar material de mayores dimensiones a las indicadas en la capacidad nominal, en la sección «Especificaciones».
24. Nunca se coloque en línea con el disco cuando este esté cortando. Colóquese siempre al lado de este.
25. Mantenga siempre las guardas en su lugar.
26. Inicie siempre el corte en forma delicada. No lo golpee o presione contra el material al iniciar el corte.

### Simbología

	Con doble aislamiento
	Voltaje de corriente alterna
	Amperes
$n_{\text{xxxx}}/\text{min.}$	No de revoluciones de carga por minuto (RPM)
	Underwriters Laboratories, Inc.
	Canadian Standards Association

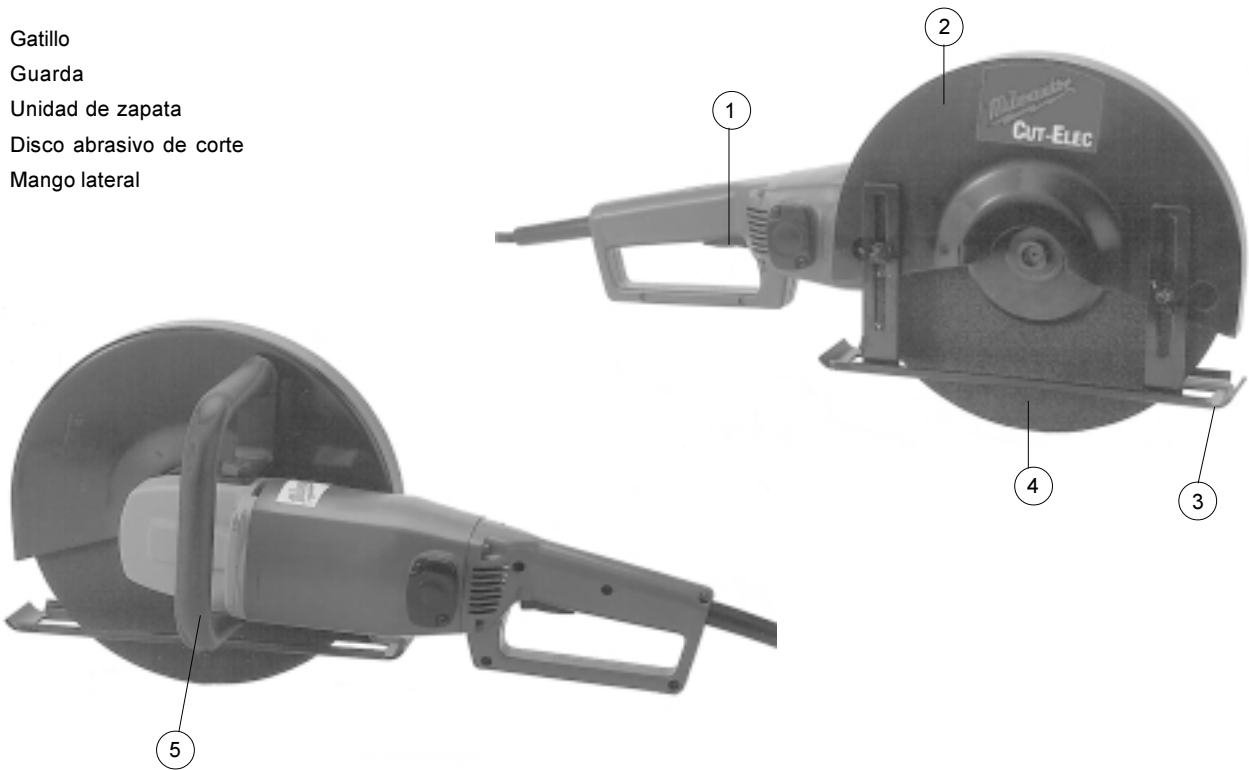
### Especificaciones

Capacidades de la sierra Tronzadora						
Catálogo No.	Tamaño del Disco	RPM Sin Carga	Voltios CA	Amps	Capacidad de corte	Entrada de Flecha
6184-01	355mm (14")	4 350	120	18	113mm (4-7/16")	20mm (1")

Capacidades de la disco abrasivo				
Catálogo No.	Tamaño del Disco	RPM Máximas Sin Carga	Grosor del Disco	Entrada de Flecha
6184-01	355mm (14")	5 000	3,2mm (1/8")	20mm (1")

### DESCRIPCION FUNCIONAL

1. Gatillo
2. Guarda
3. Unidad de zapata
4. Disco abrasivo de corte
5. Mango lateral



## TIERRA

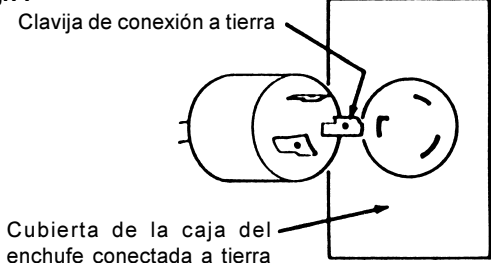


### ¡ADVERTENCIA!

Puede haber riesgo de descarga eléctrica si se conecta el cable de conexión de puesta a tierra incorrectamente. Consulte con un electricista certificado si tiene dudas respecto a la conexión de puesta a tierra del tomacorriente. No modifique el enchufe que se proporciona con la herramienta. Nunca retire la clavija de conexión de puesta a tierra del enchufe. No use la herramienta si el cable o el enchufe está dañado. Si está dañado antes de usarlo, llévelo a un centro de servicio **MILWAUKEE** para que lo reparen. Si el enchufe no se acopla al tomacorriente, haga que un electricista certificado instale un tomacorriente adecuado.

Las Sierras Tronzadoras Abrasivas de Mano de 355 mm (14 pulg.) para Trabajos Pesados de **MILWAUKEE** incluyen un enchufe de bloqueo de 20 amperios (NEMA L5-20) (vea Fig. A).

Fig. A



### Herramientas con conexión a tierra: Herramientas con enchufes de tres clavijas

Las herramientas marcadas con la frase "Se requiere conexión de puesta a tierra" tienen un cable de tres hilos y enchufes de conexión de puesta a tierra de tres clavijas. El enchufe debe conectarse a un tomacorriente debidamente conectado a tierra (véase la Figura A). Si la herramienta se averiara o no funcionara correctamente, la conexión de puesta a tierra proporciona un trayecto de baja resistencia para desviar la corriente eléctrica de la trayectoria del usuario, reduciendo de este modo el riesgo de descarga eléctrica.

La clavija de conexión de puesta a tierra en el enchufe está conectada al sistema de conexión de puesta a tierra de la herramienta a través del hilo verde dentro del cable. El hilo verde debe ser el único hilo conectado al sistema de conexión de puesta a tierra de la herramienta y nunca se debe unir a una terminal energizada.

Su herramienta debe estar enchufada en un tomacorriente apropiado, correctamente instalado y conectado a tierra según todos los códigos y reglamentos. El enchufe y el tomacorriente deben asemejarse a los de la Figura A.

### Herramientas con doble aislamiento: Herramientas con clavijas de dos patas

Las herramientas marcadas con "Doble aislamiento" no requieren conectarse "a tierra". Estas herramientas tienen un sistema aislante que satisface los estándares de OSHA y llena los estándares aplicables de UL (Underwriters Laboratories, Inc.), de la Asociación Canadiense de Estándares (CSA) y el Código Nacional de Electricidad. Las herramientas con doble aislamiento pueden ser usadas en cualquiera de los toma corriente de 120 Volt mostrados en las Figuras B y C.

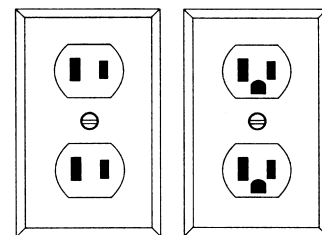


Fig. B

Fig. C

## EXTENSIONES ELÉCTRICAS

Las herramientas que deben conectarse a tierra cuentan con clavijas de tres patas y requieren que las extensiones que se utilicen con ellas sean también de tres cables. Las herramientas con doble aislamiento y clavijas de dos patas pueden utilizarse indistintamente con extensiones de dos a tres cables. El calibre de la extensión depende de la distancia que exista entre la toma de la corriente y el sitio donde se utilice la herramienta. El uso de extensiones inadecuadas puede causar serias caídas en el voltaje, resultando en pérdida de potencia y posible daño a la herramienta. La tabla que aquí se ilustra sirve de guía para la adecuada selección de la extensión.

Mientras menor sea el número del calibre del cable, mayor será la capacidad del mismo. Por ejemplo, un cable calibre 14 puede transportar una corriente mayor que un cable calibre 16. Cuando use más de una extensión para lograr el largo deseado, asegúrese que cada una tenga al menos, el mínimo tamaño de cable requerido. Si está usando un cable de extensión para más de una herramienta, sume los amperes de las varias placas y use la suma para determinar el tamaño mínimo del cable de extensión.

### Guías para el uso de cables de extensión

- Si está usando un cable de extensión en sitios al aire libre, asegúrese que está marcado con el sufijo "W-A" ("W" en Canadá) el cual indica que puede ser usado al aire libre.
- Asegúrese que su cable de extensión está correctamente cableado y en buenas condiciones eléctricas. Cambie siempre una extensión dañada o hágala reparar por una persona calificada antes de volver a usarla.
- Proteja su extensión eléctrica de objetos cortantes, calor excesivo o áreas mojadas.

### Calibre mínimo recomendado para cables de extensiones eléctricas\*

Amperios (En la placa)	Largo de cable de Extensión en(m)					
	7,6	15,2	22,8	30,4	45,7	60,9
0 - 5,0	16	16	16	14	12	12
5,1 - 8,0	16	16	14	12	10	--
8,1 - 12,0	14	14	12	10	--	--
12,1 - 15,0	12	12	10	10	--	--
15,1 - 20,0	10	10	10	--	--	--

\* Basado en limitar la caída en el voltaje a 5 volts al 150% de los amperes.

**LEA Y GUARDE TODAS LAS INSTRUCCIONES  
PARA FUTURAS REFERENCIAS.**

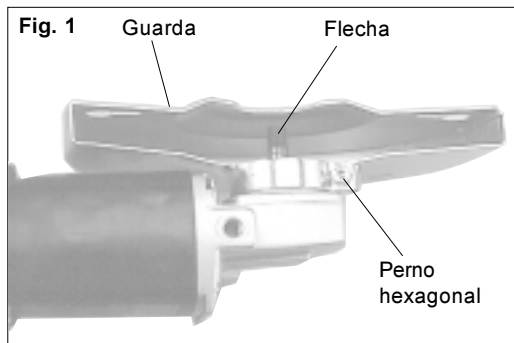
## ENSAMBAJE DE LA HERRAMIENTA



### ¡ADVERTENCIA!

Para reducir el riesgo de lesiones, desconecte siempre la herramienta antes de fijar o retirar accesorios, o antes de efectuar ajustes. Utilice sólo los accesorios específicamente recomendados. El uso de otros accesorios puede ser peligroso.

#### Cómo instalar el protector (Fig. 1)



1. Coloque la herramienta en un superficie firme con el buje de la flecha hacia arriba.
2. Suelte el perno hexagonal en el protector con la llave Allen que viene con la herramienta.
3. Deslice el protector sobre el buje de la flecha y apriete el perno hexagonal con la llave Allen.

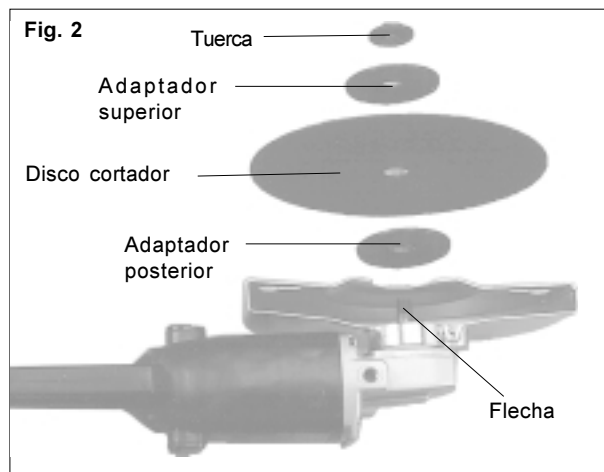


### ¡ADVERTENCIA!

Para reducir el riesgo de lesiones, utilice solamente el disco apropiado para esta herramienta. **NO UTILICE NINGUN TIPO DE DISCO DE SIERRA. USE SOLAMENTE DISCOS ABRASIVOS Y DE DIAMANTES TIPO 1.**

#### Cómo sacar e instalar los discos cortadores (Fig. 2)

Antes de operar la herramienta, asegúrese de que el disco esté en buenas condiciones (Vea "Reglas Especificas de Seguridad").



Para cambiar los discos:

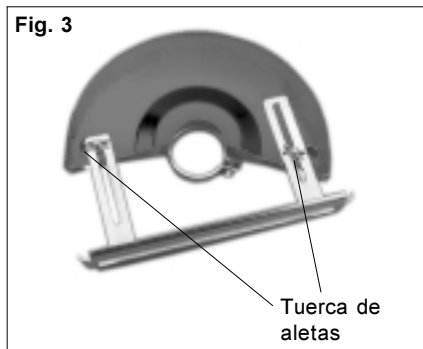
1. Para instalar los discos cortadores, coloque la herramienta en una superficie firme con la superficie del protector hacia arriba.
2. Deslice el adaptador posterior, el disco cortador, el adaptador superior y la tuerca sobre la flecha.
3. Apriete la tuerca firmemente con las (dos) llaves que vienen con la

herramienta.

**NOTA:** Se enrosca la tuerca con la mano izquierda. Para apretarla, gire en el sentido contrario al de las agujas del reloj.

4. Para retirar los discos cortantes, suelte y saque la tuerca, el adaptador superior y el disco cortante de la flecha, manteniendo el adaptador posterior inmóvil con una llave y soltando la tuerca con una segunda llave.

#### Cómo instalar y sacar la zapata (Fig. 3)



1. Para instalar la unidad de zapata, suelte las tuercas de aletas en la unidad de zapata.
2. Coloque la primera cabeza de perno en la abertura del protector. Ponga la unidad de zapata en un ángulo tal como se muestra, para colocar el segundo perno.
3. Ajuste la zapata a la altura apropiada y apriete firmemente las tuercas de aletas.
4. Para sacar la unidad de zapata, suelte las tuercas de aletas y deslice la unidad para que se puedan sacar ambos pernos de las aberturas en el protector.

#### Cómo instalar el mango lateral

1. Para instalar el mango, coloque la herramienta en el lado del protector.
2. Alinee los pernos con las aperturas roscadas en el cajón de engranajes y apriételes firmemente.

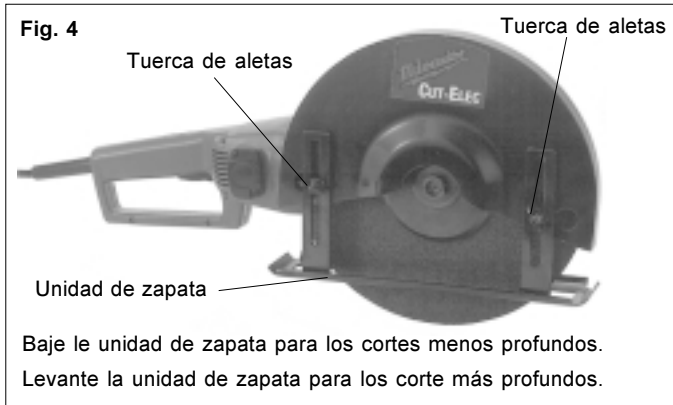


**¡ADVERTENCIA!**

Para reducir el riesgo de lesiones, use siempre lentes de seguridad o anteojos con protectores laterales. Desconecte la herramienta antes de cambiar algún accesorio o de hacerle algún ajuste.

**Cómo ajustar la profundidad del corte (Fig. 4)**

Se puede mover la unidad de zapata para cambiar la profundidad del corte. Los discos de la máquina cortadora se gastan mientras se usan y es posible que sea necesario cambiar la profundidad del corte.



Baje le unidad de zapata para los cortes menos profundos.  
Levante la unidad de zapata para los corte más profundos.

1. Desenchufe la herramienta.
2. Para cambiar la profundidad del corte, suelte las tuercas de aletas en la unidad de zapata (en el sentido contrario al de las agujas del reloj).
3. Coloque la profundidad de la unidad de zapata, para ajustar la profundidad del corte (Fig. 4).

**NOTA:** Corte sucesivamente a profundidades menores de 13mm (1/2 de pulg.) para alcanzar la profundidad deseada. El cortar con una profundidad mayor de 13mm (1/2 de pulg.) dañará el disco.

4. Apriete las tuercas de aletas firmemente (en el sentido del reloj).

**NOTA:** La Sierra Tronzadora Abrasiva de Mano de **MILWAUKEE** está diseñada para cortar materiales metálicos y no metálicos. NO es recomendada para cortar la madera. NO instale un disco de sierra en la herramienta. NO la use con líquidos o en lugares húmedos.

**Encendido apagado de la herramienta**

La herramienta opera a una velocidad sin carga de 4 350 RPM.

1. Enchufe la herramienta.
2. Para accionarlo simplemente persone el gatillo.
3. Para detener la unidad, suelte el gatillo.

**Cómo evitar un salto repentino**

El salto repentino es la reacción imprevista de un disco apretado que podría causar que el disco no controlado se levante y se salga del material hacia el operario. Tome las siguientes medidas para prevenir los saltos repentinos.

1. **Sostenga la herramienta firmemente y una posición del cuerpo correcta.** Posicione los brazos y el cuerpo, para poder controlar la fuerza hacia atrás y arriba de un salto repentino. Siempre mantenga el control de la herramienta.
2. **Ajuste la profundidad del corte no más de lo que sea necesario.** Cuanto menos sea expuesto el disco, menos es el riesgo que el disco se atore o salte repentinamente. Antes de cortar, asegúrese que la unidad de zapata esté apretada.
3. **Siempre deje que el disco se pare completamente antes de retirar la herramienta del material.** Nunca retire la herramienta de un corte mientras el disco esté en movimiento. Si está empezando un corte de nuevo o está corrigiendo la dirección de un corte, deje que el disco se pare, retire la herramienta unas pulgadas (inches) y colóquela en el centro del surco antes de encenderla de nuevo.

4. **Esté alerta.** Cualquier distracción puede hacer que el disco se doble o se atore. Cuando se hacen cortes repetitivos, es posible el usuario se confíe y se descuide.
5. **No fuerce la herramienta.** El forzar la herramienta reduce el control y la eficacia del corte.

Si ocurre un salto repentino, sostenga la herramienta firmemente y suelte el gatillo inmediatamente.



**¡ADVERTENCIA!**

Use solamente los discos abrasivos y de diamantes con un máximo de seguridad en la velocidad de operación mayor que la RPM indicada en la placa de especificaciones de la herramienta.

**Cómo seleccionar los discos**

**Materiales no metálicos**

Cuando corte materiales no metálicos, use un disco abrasivo de carburo de silicio de una anchura de 3,2mm (1/8 de pulg.), por lo menos, que tiene una velocidad segura de operación de al menos 5 000 RPM. LEA LA INFORMACION SOBRE SEGURIDAD PROPORCIONADA CON EL DISCO CORTADOR. Siempre use una máscara contra el polvo.

**Materiales metálicos**

Cuando corte metales, utilice un disco abrasivo de óxido de aluminio de una anchura de 3,2mm (1/8 de pulg.) por lo menos que tiene una velocidad segura de operación de al menos 5 000 RPM. LEA LA INFORMACION SOBRE SEGURIDAD PROPORCIONADA CON EL DISCO CORTADOR. Proteja a los demás de chispas, en el área de trabajo.

**Materiales de mampostería**

Cuando corta materiales de mampostería, utilice discos de diamantes secos o disco abrasivo de carburo de silicio de una anchura de 3,2mm (1/8 de pulg.) por lo menos que tiene una velocidad segura de operación de el menos 5 000 RPM. LEA LA INFORMACION SOBRE SEGURIDAD PROPORCIONADA CON EL DISCO PARA CORTAR. Siempre use una máscara contra el polvo.

**Cómo cortar**

1. Desenchufe la herramienta. Seleccione una profundidad de corte y ajuste la altura de la unidad de zapata como se describe en "Cómo ajustar la profundidad del corte".
2. Enchufe la herramienta y apriete el gatillo. Deje que el motor alcance su velocidad máxima y luego lentamente baje la cabeza de la herramienta en el material.

**NOTA:** Siempre haga el primer corte con cuidado. No golpee el disco al empezar el corte.

3. Cuando corte, mantenga la zapata completamente contra el material y tome la herramienta firmemente. No fuerce la herramienta al cortar. El forzar la herramienta puede producir un salto repentino.

Corte sucesivamente a profundidades menores de 13mm (1/2 de pulg.) para alcanzar la profundidad deseada. El cortar con una profundidad mayor de 13mm (1/2 de pulg.) dañará el disco. Limpie el polvo de las ventosas de aire y los protectores.

4. Cuando el corte esté terminado, siempre permita que el motor se detenga completamente. Nunca quite la máquina cortadora de un corte cuando el disco aún esté en movimiento.
5. Si está haciendo un corte parcial, empezando un corte de nuevo o corrigiendo la dirección de un corte, permita que el disco se detenga completamente. Para reanudar el corte, coloque el disco en el surco del corte, saque el disco unas pulgadas del borde del corte, apriete el gatillo y empiece a cortar de nuevo lentamente.

**NOTA:** Si la máquina para cortar se para, sosténgala firmemente y suelte el gatillo inmediatamente. Corrija el problema antes de continuar.

## MANTENIMIENTO



**Para reducir el riesgo de lesiones, desconecte siempre la herramienta antes de darle cualquier mantenimiento. Nunca desarme la herramienta ni trate de hacer modificaciones en el sistema eléctrico de la misma. Acuda siempre a un Centro de Servicio MILWAUKEE para TODAS las reparaciones.**

### Mantenimiento de las herramientas

Adopte un programa regular de mantenimiento y mantenga su herramienta en buenas condiciones. Antes de usarla, examine las condiciones generales de la misma. Inspeccione guardas, interruptores, el cable de la herramienta y el cable de extensión. Busque tornillos sueltos o flojos, defectos de alineación y dobleces en partes móviles, así como montajes inadecuados, partes rotas y cualquier otra condición que pueda afectar una operación segura. Si detecta ruidos o vibraciones anormales, apague la herramienta de inmediato y corrija el problema antes de volver a usarla. No utilice una herramienta dañada. Colóquese una etiqueta que diga "NO DEBE USARSE" hasta que sea reparada (vea "Reparaciones").

Bajo condiciones normales, no se requiere lubricación hasta que haya que cambiar los carbones. Después de 6 meses a un año, dependiendo del uso dado, envíe su herramienta al Centro de Servicio MILWAUKEE más cercano para que le hagan:

- Lubricación
- Inspección y cambio de carbones
- Inspección mecánica y limpieza (engranes, flechas, baleros, carcarza, etc.)
- Inspección eléctrica (interruptor, cable, armadura, etc.)
- Probarla para asegurar una operación mecánica y eléctrica adecuada.



**Para reducir el riesgo de lesiones, descarga eléctrica o daño a la herramienta, nunca la sumerja en líquidos ni permita que estos fluyan dentro de la misma.**

### Limpieza

Limpie el polvo y suciedad de las ventilas. Mantenga las empuñaduras de la herramienta limpias, secas y libres de aceite y grasa. Use sólo jabón neutro y un trapo húmedo para limpiar su herramienta ya que algunas sustancias y disolventes limpiadores pueden ocasionar daños a materiales plásticos y partes aislantes. Algunos de estos incluyen: gasolina, trementina, diluyente para barniz, diluyente para pintura, disolventes limpiadores clorados, amoníaco, y detergentes caseros que contengan amoníaco.

### Reparaciones

Si se daña o descompone, envíe la herramienta y todos sus accesorios al centro de servicio más cercano de los listados en la cubierta posterior de este manual del operario.

## GARANTIA

Se garantiza que todos los productos MILWAUKEE están libres de fallas en el material y la mano de obra. MILWAUKEE reparará o reemplazará cualquier producto que, luego de una revisión, se encuentre está defectuoso ya sea en el material o en la mano de obra.

**Límites:** Esta garantía no cubre: 1) reparaciones o intentos realizados por personas ajenas a MILWAUKEE o al Taller Autorizado de Servicio MILWAUKEE; 2) uso y desgaste normal; 3) abuso; 4) mal uso; 5) mantenimiento inadecuado; 6) uso continuo luego de presentar fallas parciales; 7) herramientas que han sido modificadas; o productos utilizados con un accesorio inadecuado.

Las baterías están garantizadas por un (1) año a partir de la fecha de compra.

En caso de que se presente un problema, favor de regresar el producto completo a cualquier Centro de Servicio de Fábrica MILWAUKEE o Taller Autorizado de Servicio MILWAUKEE, con flete pagado y asegurado. Si se encontrase que el problema es causado por fallas en el material o la mano de obra, se reparará o reemplazará el producto sin cargo y se le regresará (con flete pagado) a su propietario. No se reconoce ninguna otra garantía ni verbal ni escrita.

**NO EXISTE NINGUNA OTRA POSIBILIDAD DE REPARACION Y REEMPLAZO QUE LA DESCRITA EN LA PRESENTE GARANTIA. EN NINGUN CASO MILWAUKEE SERA CONSIDERADA RESPONSABLE POR DAÑOS INCIDENTALES, ESPECIALES O CONSECUENTES, INCLUYENDO LA PERDIDA DE GANANCIAS.**

ESTA GARANTIA SE CONFIERE EN LUGAR DE TODA OTRA GARANTIA, EXPRESA O IMPLICITA DE COMERCIALIZACION O DE IDONEIDAD PARA UN USO O PROPOSITO EN PARTICULAR.

***Esta garantía le otorga derechos legales específicos. Podría tener además otros derechos que varían de estado a estado. En aquellos estados que no permiten la exclusión de garantías implícitas o límites por daños incidentales o consecuentes, los límites o las exclusiones anteriores podrían no aplicar en su caso.***

## ACCESORIOS



### ¡ADVERTENCIA!

Para reducir el riesgo de lesiones, desconecte siempre su herramienta antes de colocar o retirar un accesorio. Use solo accesorios recomendados específicamente. Otros pueden ser peligrosos.

Para una lista completa de accesorios, refiérase a su catálogo *MILWAUKEE* Electric Tool. Para obtener un catálogo, contacte su distribuidor local o uno de los centros de servicio listos en la página de cubierta de este manual.

#### **Disco abrasivo de corte, de 355mm (14")**

Catálogo No. 49-93-6105  
Catálogo No. 49-93-6106  
Catálogo No. 49-93-6107  
Catálogo No. 49-93-6108

#### **Disco abrasivo de corte, de 305mm (12")**

Catálogo No. 49-93-6101  
Catálogo No. 49-93-6102  
Catálogo No. 49-93-6103  
Catálogo No. 49-93-6104

#### **Disco diamantes 305mm (12")**

Catálogo No. 49-93-8030

#### **Guarda-disco**

Catálogo No. 43-54-0775

#### **Zapata**

Catálogo No. 43-40-0315

#### **Adaptador Superior**

Catálogo No. 43-34-0780

#### **Adaptador posterior**

Catálogo No. 43-34-0785

#### **Tuerca 20mm**

Catálogo No. 44-40-0605

#### **Tuerca 25,4mm (1")**

Catálogo No. 44-40-0705

#### **Llava hexagonal**

Catálogo No. 49-96-0225

#### **Llave de boca**

Catálogo No. 49-96-4121

## **UNITED STATES**

### **MILWAUKEE Service**

To locate the *factory* SERVICE CENTER or authorized service station nearest you, call

**1-800-414-6527**

TOLL FREE • NATIONWIDE

Monday-Friday • 8:00 AM - 4:30 PM • Local Time

In addition, there is a worldwide network of distributors ready to assist you. Check your "Yellow Pages" under "Tools-Electric" for the names of those nearest you.

For further information on *factory* SERVICE CENTER or authorized service station locations, visit our website at:

**[www.mil-electric-tool.com](http://www.mil-electric-tool.com)**

Corporate Product Service Support -  
Warranty and Technical Information

Brookfield, Wisconsin USA

**1-800-729-3878**

## **CANADA**

### **Service MILWAUKEE**

#### **Milwaukee Electric Tool (Canada) Ltd**

755 Progress Avenue

Scarborough, Ontario M1H 2W7

Tel. (416) 439-4181

Fax: (416) 439-6210

En outre le réseau de distributeurs est à la disposition de la clientèle d'un océan à l'autre. Consultez les pages jaunes de l'annuaire téléphonique pour l'adresse du centre le plus près de chez vous.

In addition, there is a worldwide network of distributors ready to assist you. Check your "Yellow Pages" under "Tools-Electric" for the names of those nearest you.

## **MEXICO**

### **Servicios de MILWAUKEE**

#### **Milwaukee Electric Tool**

División de : Atlas Copco Mexicana S.A. de C.V.

Bld. Abraham Lincoln no. 13

Colonia Los Reyes Zona Industrial

Tlalnepantla, Edo. México C.P. 54073

Tels. 5565-1414 5565-4720

Fax: 5565-0925

Además se cuenta con una red nacional de distribuidores listos para apoyarlo. Vea en las "Páginas Amarillas" sección "Herramientas Eléctricas".

## **MILWAUKEE ELECTRIC TOOL CORPORATION**

**A Company within the Atlas Copco Group**

**13135 West Lisbon Road • Brookfield, Wisconsin, U.S.A. 53005**



## Free Manuals Download Website

<http://myh66.com>

<http://usermanuals.us>

<http://www.somanuals.com>

<http://www.4manuals.cc>

<http://www.manual-lib.com>

<http://www.404manual.com>

<http://www.luxmanual.com>

<http://aubethermostatmanual.com>

Golf course search by state

<http://golfingnear.com>

Email search by domain

<http://emailbydomain.com>

Auto manuals search

<http://auto.somanuals.com>

TV manuals search

<http://tv.somanuals.com>