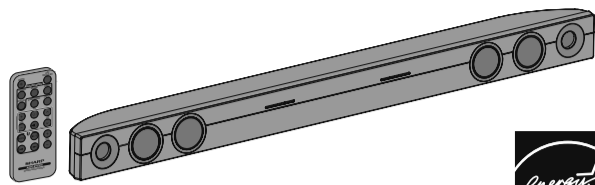


MODEL
HT-SB20
HT-SB30
SOUND BAR HOME THEATER SYSTEM

OPERATION MANUAL



(HT-SB30 only)

The Bluetooth® word mark and logos are registered trademarks owned by Bluetooth SIG, Inc. and any use of such marks by SHARP is under license. Other trademarks and trade names are those of their respective owners.

Note: This product is recommended for flat panel TV (LED, LCD and plasma).

Caution: Before operating this product, refer "IMPORTANT SAFEGUARDS AND WARRANTY" at the reverse page of English operation manual.

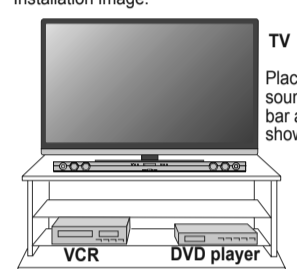


TINSZB425AWZZ

SHARP CORPORATION
Printed in Malaysia
13A RAS ①

Placing the sound bar

Installation image:



TV

Place the sound bar as shown.

Notes:

- Remove the protective film covering the sound bar before turning on the system.
- The front panel of the sound bar is not removable.
- Do not change the installation direction when the sound bar is turned on.
- Do not stand or sit on the sound bar as you may be injured.

Caution:

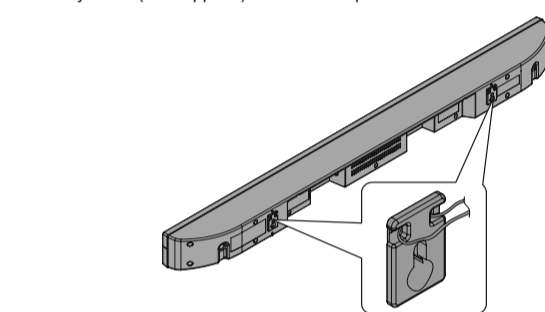
- Do not use rechargeable battery (nickel-cadmium battery, etc.).
- Danger of explosion if battery is incorrectly replaced.
- Replace only with the same or equivalent type.
- Batteries (battery pack or batteries installed) shall not be exposed to excessive heat such as sunshine, fire or the like.
- Installing the battery incorrectly may cause the sound bar to malfunction.

Notes concerning use:

- Replace the battery if the operating distance is reduced or if the operation becomes erratic. Purchase "CR 2025", coin lithium battery.
- Periodically clean the transmitter on the remote control and the sensor on the sound bar with a soft cloth.
- Exposing the sensor on the sound bar to strong light may interfere with operation. Change the lighting or the direction of the sound bar if this occurs.
- Keep the remote control away from moisture, heat, shock, and vibrations.

Falling prevention

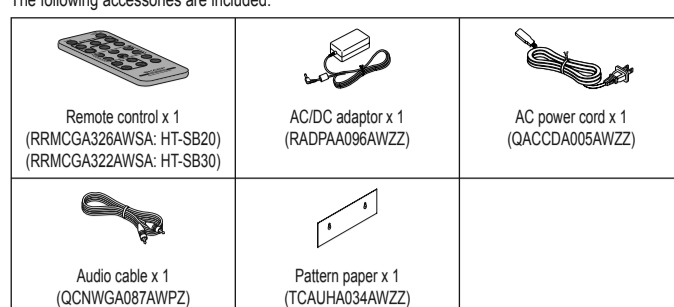
- Safety wires (not supplied) are useful to prevent the sound bar from falling.



E-4

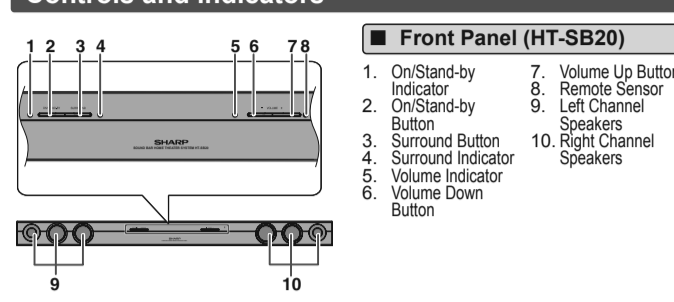
Accessories

The following accessories are included.



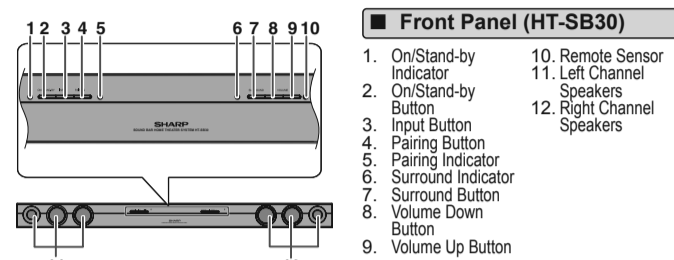
The illustrations printed in this manual are for the model HT-SB30.

Controls and indicators



Front Panel (HT-SB20)

- On/Stand-by Indicator
- On/Stand-by Button
- Input Button
- Pairing Button
- Pairing Indicator
- Surround Indicator
- Volume Up Button
- Volume Up Button Remote Sensor
- Left Channel Speakers
- Right Channel Speakers
- Volume Up Button
- Volume Up Button

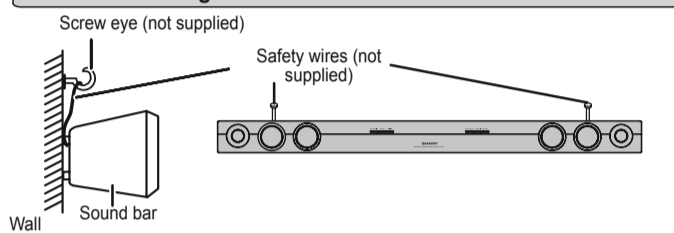


Front Panel (HT-SB30)

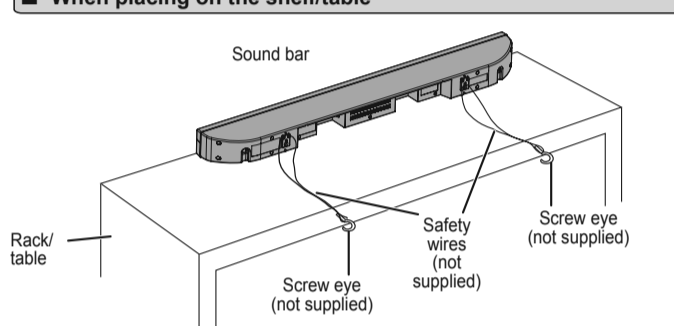
- On/Stand-by Indicator
- On/Stand-by Button
- Input Button
- Pairing Button
- Pairing Indicator
- Surround Indicator
- Volume Up Button
- Volume Up Button
- Remote Sensor
- Left Channel Speakers
- Right Channel Speakers
- Volume Up Button

E-1

When mounting on the wall

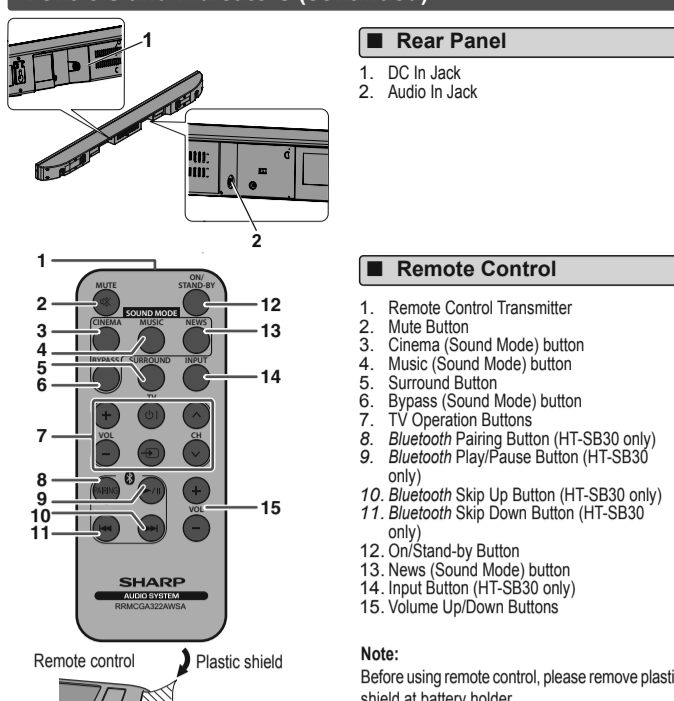


When placing on the shelf/table



E-5

Controls and indicators (continued)

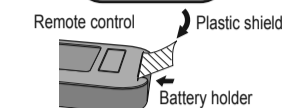


Rear Panel

- DC In Jack
- Audio In Jack

Remote Control

- Remote Control Transmitter
- Mute Button
- Cinema (Sound Mode) button
- Muse (Sound Mode) button
- Surround Button
- Bypass (Sound Mode) button
- TV Operation Buttons
- Bluetooth Pairing Button (HT-SB30 only)
- Bluetooth Play/Pause Button (HT-SB30 only)
- Bluetooth Skip Up Button (HT-SB30 only)
- Bluetooth Skip Down Button (HT-SB30 only)
- On/Stand-by Button
- News (Sound Mode) button
- Input Button (HT-SB30 only)
- Volume Up/Down Buttons



Note: Before using remote control, please remove plastic shield at battery holder.

TV Operation Buttons (Only SHARP TV):

On/Stand-by Button	Presses the TV power to "ON" or "STAND-BY".	Input Select Button (TV)	Presses the button to switch the input source.
Volume Up and Down Buttons	Turn up/down the TV volume.	Channel Up and Down Buttons	Switch up/down the TV channels.

- Note:
- Some models of SHARP TV may not be operable.
 - SHARP TV remote control will not work with HT-SB20/HT-SB30 system.

E-2

Sound bar connections to TVs

Caution: Turn off all other equipment before making any connections.

- Note:
- To connect to TV, use Audio IN terminals located at the rear of the sound bar.
 - Refer the operation manual of the equipment to be connected.
 - Fully insert the plugs to avoid fuzzy pictures or noises.
 - In some cases, a small background noise could emit from the sound bar, when you use the RCA audio output terminal connection to a TV-Set/DVD/Blu-ray Disc Player. In such case, please change the connection to the headphone terminal connection. This effect depends on the used TV/DVD/Blu-ray Disc Player-Brand, model and age, and it is not a quality matter from the sound bar.
 - If the TV volume is continuously at low level, the sound bar will automatically power off. Increase the TV output volume to enjoy the sound from the speaker.

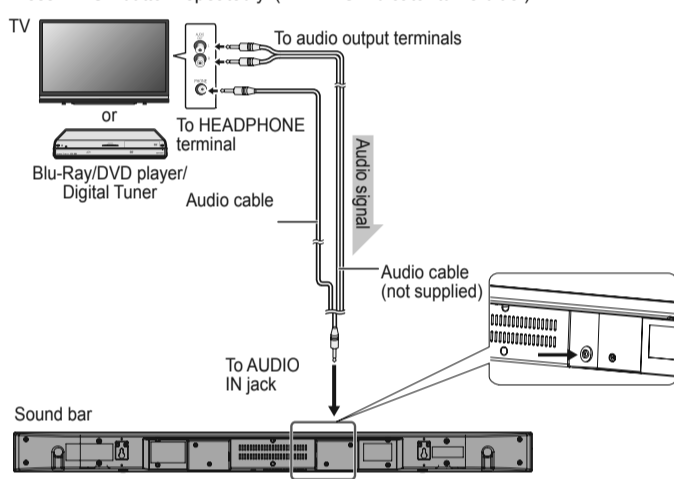
Connecting a TV, or DVD player, etc.

If the TV/monitor has an audio output, connect it to the Audio IN jack on the rear of the sound bar.

HT-SB30

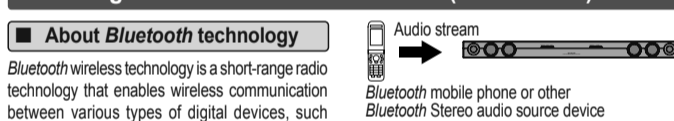
To select AUDIO IN function:
Press INPUT button repeatedly.

To select Bluetooth function:
Press INPUT button repeatedly. (PAIRING indicator turns blue.)



E-6

Listening to Bluetooth enabled devices (for HT-SB30)



About Bluetooth technology

Bluetooth wireless technology is a short-range radio technology that enables wireless communication between various types of digital devices, such as mobile phone or computer. It operates within a range of about 10 meters (30 feet) without the hassle of having to use cables to connect these devices. Since the Bluetooth technology does not require wires, it is not necessary to line up the transmitting device and the receiver, as in the case of infra red technology.

Communication System and Bluetooth Profile of this sound bar
There are many available Bluetooth Profiles describing the basic communication methods, specific functions and uses, to enable communication between devices.

This sound bar supports the following:
Communication System: Bluetooth Specification version 2.1 Bluetooth + Enhanced Data Rate (EDR) Profile: A2DP (Advanced Audio Distribution Profile)
A2DP enables audio streaming from an A2DP equipped Bluetooth stereo audio source device (eg mobile phone) to this sound bar. By converting wireless stereo audio signal to analogue audio signal, you can enjoy listening to the sound through this speaker system.
AVRCP (Audio/Video Remote Control Profile) is a technology that allows a single remote control to control all Bluetooth enabled Audio Video equipment to which a user has access.

Notes when using unit with a mobile phone

- This unit cannot be used to talk over the telephone even when there is a Bluetooth connection made to a mobile phone.
- Please refer to the operating manual supplied with the mobile phone for details on operation of your mobile phone while transmitting the sound using a Bluetooth connection.

E-10

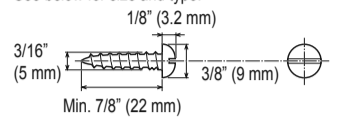
System preparation

To mount the sound bar on the wall

- Caution:
- Be very careful to prevent the sound bar (5.07 lbs. (2.3 kg)) from falling when mounting on the wall.
 - Before mounting, check the wall strength. (Do not put on the veneer plaster or whitewashed wall. The sound bar may fall.) If unsure, consult a qualified service technician.
 - Mounting screws are not supplied. Use appropriate ones.
 - Check all wall mount angle screws for looseness.
 - Select a good location. If not, accidents may occur or the sound bar may get damaged.
 - SHARP is not responsible for accidents resulting from improper installation.

Driving screws

SHARP designed the sound bar so you may hang it on the wall. Use proper screws (not supplied). See below for size and type.



Installing the sound bar

- Fix the pattern paper to the wall in horizontal position as below.
- Fasten the screws to the wall as shown below. (Total screw is 2 pieces)
- Hang the sound bar onto the screws.

E-3

AC power connection

After checking all the connections have been made correctly, connect the AC power cord to the AC power input jack, then to the AC outlet.

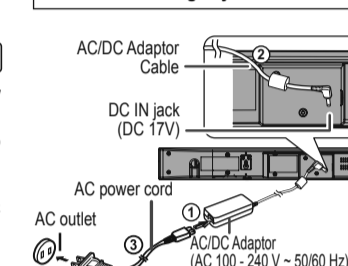
Using with the AC/DC adaptor

- Plug the AC power cord into the AC/DC adaptor.
- Plug the AC/DC adaptor cable into the DC INPUT jack on the sound bar.
- Plug the AC power cord into an AC outlet.

Notes:

- During power standby, the stand-by indicator turns RED. If ON-STANDBY button is pressed, the STAND-BY indicator turns BLUE.
- Unplug the AC/DC adaptor from the AC outlet if the sound bar will not be used for a prolonged period of time.
- Use only the supplied AC/DC adaptor. Using other AC/DC adaptor may cause an electric shock or fire.

Make sure to unplug the AC power cord before making any connections.



E-7

Listening to Bluetooth enabled devices (for HT-SB30) (continued)

- Select "SHARP HT-SB30" from the source list. If Passcode is required, enter "0000". Pairing indicator (blue) on the sound bar will stop blinking once the sound bar is successfully paired with the source device. Pairing information is now memorized in the sound bar.
- Start the Bluetooth connection from the source device. Some audio source devices may connect with the sound bar automatically, otherwise follow the instructions in the source device operating manual to start connection.

Notes:

- If this sound bar or the source device is turned off before Bluetooth connection is completed, pairing will not be completed and the pairing information will not be memorized. Repeat step 1 onwards to start pairing again.
- To pair with other devices, repeat steps 1 - 5 for each device. This sound bar can be paired to a maximum of 8 devices. If subsequent device is paired, the oldest device paired, will be deleted and replaced with the new one.
- Once a device is paired or deleted from the pairing list, the pairing information for the device is also deleted. To listen to the sound from the device again, it needs to be re-paired. Perform steps 1 - 5 to pair the device again.
- Passcode of this sound bar is fixed to "0000" and can only be paired with Bluetooth source device whose passcode is also "0000".

E-11

Listening to Bluetooth enabled devices (for HT-SB30) (continued)

Listening to the sound

Check that:

- The source device Bluetooth functionality is ON.
- Pairing of this sound bar and the source device is completed.
- Any device connected to the AUDIO IN socket is turned off.

To finish listening

Perform any of the following:

- Terminate the Bluetooth connection on the audio source device.
- Refer the operating manual supplied with the device.
- Turn off the Bluetooth stereo audio source device.
- Turn off this sound bar.

Note:

The volume of this sound bar may not be controlled as intended depending on the device.

Bluetooth operation buttons (remote control only)

- Press the button to play or pause.
- Press the button to skip up.
- Press the button to skip down.

Notes:

- You need to make the Bluetooth connection again if:
 - The sound bar is not turned on, or its Bluetooth functionality is off or is in sleep mode.
 - If both the Bluetooth connected device and the one connected to the AUDIO IN are played simultaneously, only the Bluetooth sound can be heard.

E-12

Troubleshooting chart

Many potential problems can be resolved by the owner without calling a service technician.

If something is wrong with this product, check the following before calling your authorized SHARP dealer or service center.

General

Symptom Possible cause

No sound is heard.

- Is the input signal (selection) set properly?
- Is the volume level set to minimum?
- Is muting activated?
- Are the connections made correctly? (HT-SB30)
- Is the sound bar too far from the Bluetooth stereo audio source device? (HT-SB30)
- Is the sound bar paired with the Bluetooth stereo audio source device? (HT-SB30)

Noise is heard during playback.

- Move the sound bar away from any computers or mobile phones.
- Set this sound bar to the stand-by mode and then turn it back on.
- If the sound bar still malfunctions, reset it. (Refer to page 7.)

When a button is pressed, the sound bar does not respond.

- Is the sound bar unplugged? (Refer to page 10)
- The protection circuit may be activated. Unplug and plug in the power cord again after 5 minutes or more.

The power is not turned on.

- Is the sound bar unplugged? (Refer to page 10)
- The protection circuit may be activated. Unplug and plug in the power cord again after 5 minutes or more.

Bluetooth sound is interrupted or distorted (HT-SB30)

- Is the sound bar too near to a device that generates electromagnetic radiation?
- Is there any obstacle between the sound bar and the Bluetooth stereo audio source device?

Remote control

Symptom Possible cause

The remote control does not operate properly.

- Is the battery polarity correct?
- Is the battery dead?
- Is the distance or angle incorrect?
- Are there any obstructions in front of the sound bar?
- Is there a strong light shining on the remote sensor?
- Is the remote control for another equipment used simultaneously?

The sound bar cannot be turned on with the remote control.

- Is the AC power cord of the sound bar plugged in?
- Is the battery inserted?

TV cannot be operated with the remote control.

- Depending on the model, some or all functions may not be operable using the remote control of this sound bar. In this case, use the remote control supplied with the TV.

E-13

Troubleshooting chart

Condensation

Sudden temperature changes, storage or operation in an extremely humid environment may cause condensation inside the cabinet or on the transmitter on the remote control.

Condensation can cause the sound bar to malfunction. If this happens, leave the power on until normal operation is possible (about 1 hour). Wipe off any condensation on the transmitter with a soft cloth before operating the sound bar.

Factory reset, clearing all setting

Make sure to disconnect all audio input cables attached to the sound bar before performing the factory reset.

- Unplug the AC power cord.
- Press and hold ON/STANDBY button and the SURROUND button and plug the AC power cord.

HT-SB30

Press and hold ON/STANDBY button and the PAIRING button and plug the AC power cord.

Press the ON/STANDBY button

Caution: This operation will erase all data stored in memory.

If problem occurs during operation

When this problem is subject to strong external interference (mechanical shock, excessive static electricity, abnormal supply voltage due to lightning, etc.) or if it is operated incorrectly, it may malfunction.

If such a problem occurs, do the following:

- Set the sound bar to the stand-by mode and turn the power on again.
- If the sound bar is not restored in the previous operation, unplug and plug in the sound bar, and then turn the power on.

E-14

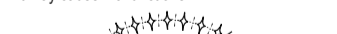
Maintenance

Cleaning the cabinet

Periodically wipe the cabinet with a soft cloth.

Caution:

- Do not use chemicals for cleaning (petrol, paint thinner, etc.). It may damage the cabinet finish.
- Do not apply oil to the inside of each component. It may cause malfunctions.



Note:

Should the same message appear even if the sound bar is unplugged and plugged in or is set to the stand-by mode and on again, contact your local dealer where you purchased the sound bar.

Error indicators and warnings

When you fail to perform operations properly, the following messages are displayed on the sound bar.

Display	Meaning
Power indicator (blinks red)	When the protection circuit is activated.

(*) Should the same message appear even if the sound bar is unplugged and plugged in or is set to the stand-by mode and on again, contact your local dealer where you purchased the sound bar.

Specifications

As part of our policy of continuous improvement, SHARP reserves the right to make design and specification changes for product improvement without prior notice. The performance specification figures indicated are nominal values of production unit. There may be some deviations from these values in individual unit.

General

Power source

DC IN 17V ~ 2.8A; AC/DC adaptor (AC 100 - 240V ~ 50/60Hz)

Power consumption

10W

Maximum output power

RMS: Total 40 Watts
20 Watts per channel into 8 ohms at 1 kHz, 10% total harmonic distortion
FTC: Minimum 14 Watts per channel into 3 ohms at 100 Hz to 20 kHz, 1% total harmonic distortion

Speaker

2-way Speaker System
2-1/4" (5.7cm) Woofer
1" (2.5cm) Soft Dome

Input terminals

Analog input (AUDIO IN): Stereo mini jack Ø 3.5mm 500mV / 47kOhms

Frequency Band (HT-SB30)

2.4 GHz band (2,400GHz ~ 2,480GHz)

Compatible Bluetooth Profile (HT-SB30)

A2DP (Advanced Audio Distribution Profile), AVRCP (Audio/Video Remote Control Profile), Bluetooth 2.1 +EDR

Dimensions

Width: 37" (940mm)
Height: 2-7/8" (73mm)
Depth: 3-1/4" (83mm)

Weight

5.07lbs. (2.3kg)

E-15

ENGLISH - IMPORTANT SAFEGUARDS AND WARRANTY

Special notes

CAUTION
DO NOT REMOVE COVER OR BACK PANEL UNLESS SERVICE PERSONNEL. REFER TO QUALIFIED SERVICE PERSONNEL.

WARNING
The lightning bolt with crossed swords symbol, with an exclamation mark, is intended to alert the user to the presence of unshielded "dangerous voltages" which may exist even when the power is switched off. A sufficient magnitude to constitute a risk of electric shock.

The exclamation point with an electrical plug symbol is intended to alert the user to the presence of important operating and maintenance (including installation) instructions in the literature accompanying the appliance.

WARNING: TO REDUCE THE RISK OF FIRE OR ELECTRIC SHOCK, DO NOT EXPOSE THIS APPLIANCE TO RAIN OR MOISTURE.

FOR YOUR RECORDS
For your assistance in recording this unit in case of loss or theft, please record below the model number and serial number which are located on the rear of the unit. Please retain this information.

Model number: _____
Serial number: _____
Date of purchase: _____
Place of purchase: _____

NOTE
This equipment has been tested and found to comply with the limits for a Class B digital device, pursuant to Part 15 of the FCC Rules. These limits are designed to provide reasonable protection against harmful interference in a residential installation. This equipment generates, uses, and can radiate radio frequency energy and, if not installed and used in accordance with the instructions, may cause harmful interference to radio communications. However, there is no guarantee that interference will not occur in a particular installation. If this equipment does cause harmful interference to radio or television reception, which can be determined by turning the equipment off and on, the user is encouraged to try to correct the interference by one or more of the following measures:

- Reorient or relocate the receiving antenna.
- Increase the separation between the equipment and receiver.
- Connect the equipment into an outlet on a circuit different from that which the receiver is connected to.
- Consult the dealer or an experienced radio/TV technician for help.

IMPORTANT SAFETY INSTRUCTIONS

- Electricity is used to perform many useful functions, but it can also cause personal injuries and property damage if improperly handled. This product has been engineered and manufactured with the highest priority on safety. However, improper use can result in electric shock and/or fire. In order to protect yourself and your property, please observe the following instructions when installing, operating and cleaning the product. To ensure your safety and prolong the service life of this product, please read the following precautions carefully before use.
- 1) Read these instructions.
 - 2) Keep these instructions.
 - 3) Head all warnings.
 - 4) Follow all instructions.
 - 5) Do not use this apparatus near water.
 - 6) Clean only with dry cloth.
 - 7) Do not block any ventilation openings. Install in accordance with the manufacturer's instructions.
 - 8) Do not install near any heat sources such as radiators, heat registers, stoves, or other apparatus (including amplifiers) that produce heat.
 - 9) Do not defeat the safety purpose of the polarized or grounding-type plug. A polarized plug has two blades with one wider than the other. A grounding type plug has two blades and a third grounding prong. The wide blade or the third prong are provided for your safety. If the provided plug does not fit into your outlet, consult an electrician for replacement of the obsolete outlet.
 - 10) Protect the power cord from being walked on or pinched particularly at plugs, convenience receptacles, and the point where they exit from the apparatus.
 - 11) Only use attachments/accessories specified by the manufacturer.
 - 12) Use only with the cart, stand, tripod, bracket, or table specified by the manufacturer, or sold with the apparatus. When a cart is used, use caution when moving the apparatus. An unstable base combination to avoid injury from tip-over.
 - 13) Unplug this apparatus during lightning storms or when unused for long periods of time.
 - 14) Refer all servicing to qualified service personnel. Servicing is required when the apparatus has been damaged in any way, such as power supply cord or plug is damaged, liquid has been spilled or objects have fallen into the apparatus, the apparatus has been exposed to rain or moisture, does not operate normally, or has been dropped.
 - 15) Power Sources - This product should be operated only from the type of power source indicated on the marking label. If you are not sure of the type of power supply to be used, consult your product dealer or local power company. For product intended to be operated from battery power, or other sources, refer to the operating instructions. Overloading - Do not overload wall outlets, extension cords, or integral convenience receptacles as this can result in a risk of fire or electric shock.
 - 16) Object and Liquid Entry - Never push objects of any kind into the product through openings as they may touch dangerous voltage points or short-out parts that could result in a fire or electric shock.
 - 17) To prevent fire or shock hazard, do not place the product on flammable or combustible liquids, such as solvents, which could be spilled on the product.
 - 18) Protective Attachment Plug - This product is equipped with an attachment plug having over-current protection. If replacement of the plug is required, be sure the service technician has used a replacement plug specified by the manufacturer that has the same over-current protection as the original plug.
 - 19) Stand - Do not place the product on an unstable cart, stand, tripod or table. Placing the product on an unstable base can cause the product to fall, resulting in serious personal injuries as well as damage to the product. Use only the cart, stand, tripod, bracket or table recommended by the manufacturer or sold with the product. When mounting the product on a wall, be sure to follow the manufacturer's instructions. Use only the mounting hardware recommended by the manufacturer.

IMPORTANT SAFETY INSTRUCTIONS (continued)

- 20) e. If the product has been dropped or damaged in any way, and:
f. When the product exhibits a distinct change in performance - this indicates a need for service. Replacement Parts - When replacement parts are required, be sure the service technician has used replacement parts specified by the manufacturer. Unauthorized substitutions may result in fire, electric shock, or other hazards. Safety Check - Upon completion of any service or repairs to this product, ask the service technician to perform safety checks to determine that the product is in proper operating condition. Wall or ceiling mounting - When mounting the product on a wall or ceiling, be sure to install the product according to the method recommended by the manufacturer. Power Lines - An outside antenna system should not be located in the vicinity of overhead power lines or other electric light or power circuits, or where it can fall into such power lines or circuits. When installing an outside antenna system, exercise extreme care to avoid contact with overhead power lines or circuits as they may touch dangerous voltage points or short-out parts that could result in a fire or electric shock. Protective Attachment Plug - This product is equipped with an attachment plug having over-current protection. If replacement of the plug is required, be sure the service technician has used a replacement plug specified by the manufacturer that has the same over-current protection as the original plug.
- 21) Stand - Do not place the product on an unstable cart, stand, tripod or table. Placing the product on an unstable base can cause the product to fall, resulting in serious personal injuries as well as damage to the product. Use only the cart, stand, tripod, bracket or table recommended by the manufacturer or sold with the product. When mounting the product on a wall, be sure to follow the manufacturer's instructions. Use only the mounting hardware recommended by the manufacturer.

Precautions

- General
 - Please ensure that the equipment is positioned in a well-ventilated area and ensure that there is at least 4" (10 cm) of free space along the sides and top of the equipment.
- Use the unit on a firm, level surface free from vibration.
- Keep the unit away from direct sunlight, strong magnetic fields, excessive dust, humidity and electrostatic equipment (from computers, facsimiles, etc.) which generate electrical noise.
- Do not place anything on top of the unit.
- Do not expose the unit to moisture, to temperatures higher than 140°F (60°C) or to extremely low temperatures.
- If your system does not work properly, disconnect the AC power cord from the AC outlet and unplug. In case of an electrical storm, unplug the unit for safety.
- Hold the AC power plug by the head when removing it from the AC outlet, as pulling the cord can damage internal wires.
- The AC power plug is used as a disconnect device and shall always remain readily operable.
- Do not remove the cover, as this may result in electric shock. Refer internal service to your local SHARP service center.
- This unit should only be used within the range of 41°F to 95°F (5°C - 35°C).
- SHARP is not responsible for damage due to improper use. Refer all servicing to a SHARP authorized service center.

Precautions (continued)

- Never use an AC/DC adaptor other than the one specified. Otherwise, problem or serious hazards may be created.
- The voltage used must be the same as that specified on this unit. Using this product with a higher voltage other than that which is specified is dangerous and may result in a fire or other type of accident causing damage. SHARP will not be held responsible for any damage resulting from use of this unit with a voltage other than that which is specified.

Volume control

The sound level of a given volume setting depends on speaker efficiency, location and various other factors. It is advisable to avoid exposure to high volume other than that which is specified is dangerous and may result in a fire or other type of accident causing damage. SHARP will not be held responsible for any damage resulting from use of this unit with a voltage other than that which is specified.

For U.S. customer only

CONSUMER LIMITED WARRANTY

SHARP ELECTRONICS CORPORATION warrants to the first consumer purchaser that this Sharp brand product (the "Product"), when shipped in its original container, will be free from defects in workmanship and materials, and agrees that it will, at its option, either repair the defect or replace the defective Product or part thereof with a new or re-manufactured equivalent (not for charge to the purchaser) if the product or part of the product is found to be defective within the warranty period.

This warranty does not apply to any accessories items of the Product nor to the additional accessories set forth below which are not included in the original container, unless they have been damaged or defective when shipped in their original container. In order to enforce the rights under this limited warranty, the purchaser should follow the steps set forth below and provide proof of purchase to the service center.

The limited warranty described herein is in addition to whatever implied warranties may be granted by purchaser by law. IMPLIED WARRANTIES INCLUDING THE WARRANTIES OF MERCHANTABILITY AND FITNESS FOR USE ARE LIMITED TO THE PERIODIC FROM THE DATE OF PURCHASE SET FORTH BELOW. Some states do not allow limitations on how long an implied warranty lasts, so the above limitation may not apply to you.

Neither the sales personnel of the seller nor any other person is authorized to make any warranties other than those described herein or to extend the duration of the above limited warranty, or to provide any other service or benefit.

The warranties described herein shall be void and exclusive warranties granted by Sharp and shall be the sole and exclusive warranties available to the purchaser. No other warranties, express or implied, shall be made by Sharp. Sharp shall not be liable for, or in any way responsible for, any damages or defects in the Product which were caused by fire, flood, lightning, or other causes not mentioned in the above limited warranty. Sharp shall be liable for, or in any way responsible for, any damages or defects in the Product which were caused by fire, flood, lightning, or other causes not mentioned in the above limited warranty. This warranty gives you specific legal rights. YOU MAY ALSO HAVE OTHER RIGHTS WHICH VARY FROM STATE TO STATE.

Model Specific Section
Your Product Model Number & Description: HT-SB30HT-SB30 Sound Bar Home Theater System (See also the information available when you need service for your Product.)

Warranty Period for this Product: One (1) year parts and labor from the date of purchase.

Additional Items Excluded from Warranty Coverage (If Any): Non-functional accessories, supplies, and consumable items.

Where to Obtain Service: A Sharp Authorized Service Center located in the United States. To find a location of the nearest Sharp Authorized Service Center, please call 1-800-854-SHARP.

What to do to Obtain Service: Ship prepaid or carry your Product to a Sharp Authorized Service Center. Do not ship the Product, be sure it is insured and packaged according to SHARP instructions.

TO OBTAIN SUPPLY, ACCESSORY OR PRODUCT INFORMATION, CALL 1-800-854-SHARP
SHARP ELECTRONICS CORPORATION
Sharp Plaza, Miramar, New Jersey 07650-1163

OBSERVACIONES ESPECIALES

PRECAUCIÓN
NO REMOVER LA CUBIERTA NI EL PANEL TRASERO A MENOS QUE UN TÉCNICO DE SERVICIO CALIFICADO.

ADVERTENCIA
PARA REDUCIR EL RIESGO DE INCENDIO O DESCARGA ELÉCTRICA, NO EXPOSA ESTE APARATO A LLUVIA O HUMEDAD.

DECLARACIÓN DE LA FCC sobre la Exposición a la Radiación
Este dispositivo cumple con los límites para un dispositivo digital de Clase B de acuerdo con la Parte 15 del Reglamento de la FCC. No debe colocarse en funcionamiento conjuntamente con ninguna otra antena o transmisor.

DECLARACIÓN DE LA FCC sobre la Exposición a la Radiación (para los usuarios en Canadá)
El dispositivo de comunicación de radio incorporado en este modelo cumple con todos los requisitos de la RSS-247 de la Comisión de Radiación de Canadá. Este aparato digital Clase B cumple con las especificaciones canadienses ICES-003 de Clase B con el parte posterior de la unidad. Por favor guarde esta información.

PARA SUS REGISTROS
Para asistir a reportar esta unidad en caso de pérdida o robo, por favor registre abajo el modelo número, número de serie que están localizados en la parte posterior de la unidad. Por favor guarde esta información.

Número de modelo: _____
Número de serie: _____
Fecha de compra: _____
Lugar de compra: _____

NOTA
Este equipo ha sido probado y cumple con los límites para dispositivos digitales de Clase B de acuerdo con la Parte 15 del Reglamento de la FCC. Estos límites están diseñados para proporcionar una protección razonable contra interferencias perjudiciales en una instalación residencial. Este equipo genera, utiliza y puede radiar energía de radiofrecuencia y, si no se instala y utiliza de acuerdo con las instrucciones, puede causar interferencias perjudiciales a las comunicaciones por radio. Sin embargo, no hay garantía de que no se produzcan interferencias en una instalación particular. Si este equipo causa interferencias perjudiciales a la recepción de radio o televisión, lo cual puede determinarse al apagar y encenderlo, se recomienda al usuario que intente corregir la interferencia mediante una o más de las siguientes medidas:

- Reorientar o reubicar la antena receptora.
- Aumentar la separación entre el equipo y el receptor.
- Conectar el equipo a una toma de corriente en un circuito diferente al que está conectado al receptor.
- Consultar al distribuidor o a un experto en radio / televisión para obtener ayuda.

ESPAÑOL - MEDIDAS IMPORTANTES DE SEGURIDAD Y GARANTIA

PRECAUCIONES DE SEGURIDAD IMPORTANTES

- La electricidad se usa para realizar muchas funciones útiles, pero también puede causar lesiones en personas y daños en la propiedad si se utiliza incorrectamente. Este producto ha sido diseñado y fabricado con la máxima prioridad a la seguridad. Sin embargo, su uso incorrecto puede provocar descargas eléctricas y/o incendios. Para evitar peligros personales, por favor lea cuidadosamente las instrucciones que se encuentran en el manual de instrucciones. Para garantizar su seguridad y prolongar la duración de su producto, lea cuidadosamente las precauciones siguientes antes de utilizarlo.
- 1) Lea estas instrucciones.
 - 2) Guarde estas instrucciones.
 - 3) Preste atención a todos los avisos.
 - 4) Siga todas las instrucciones.
 - 5) No utilice este aparato cerca del agua.
 - 6) Limpie solamente con un paño seco.
 - 7) No tape las aberturas de ventilación. Instale el aparato de acuerdo con las instrucciones del fabricante.
 - 8) No instale el aparato cerca de ninguna fuente de calor como, por ejemplo, radiadores, salidas de aire caliente, estufas u otros aparatos (incluyendo amplificadores) que produzcan calor.
 - 9) No bloquee ni tape las aberturas de seguridad del enchufe tipo polarizado o de conexión a tierra. La conexión eléctrica segura es esencial para su seguridad. Si el enchufe suministrado no encaja en su toma de corriente, consulte a un electricista para que reemplace el tomacorriente con uno de mayor tamaño.
 - 10) Proteja el cable de alimentación para que nadie lo tire ni lo quite accidentalmente, especialmente en las cocinas, baños o dormitorios.
 - 11) Utilice solamente las accesorios/montajes recomendados por el fabricante.
 - 12) Utilice el aparato solamente con el cartón, soporte, trípode, mesa o superficie especificados por el fabricante, o vendidos con el producto.
 - 13) Desenchufe este aparato durante las tormentas eléctricas o cuando no lo utilice durante largos períodos de tiempo.
 - 14) Solícite todos los trabajos de reparación al personal calificado solamente. Las reparaciones serán necesarias cuando se haya dañado el aparato de cualquier forma: cuando se haya estropeado el cable o la clavija de alimentación, se haya dañado el producto o cuando se haya caído.

INSTRUCCIONES DE SEGURIDAD IMPORTANTES (continuación)

- 15) Piezas de repuesto - Cuando se necesiten piezas de repuesto, asegúrese de que el técnico de servicio utilice las piezas de repuesto especificadas por el fabricante. Las piezas de repuesto que no sean similares a las de las piezas originales. El uso de piezas no autorizadas puede causar incendios, descargas eléctricas u otros peligros.
- 16) Fuentes de energía - Este producto deberá utilizarse solamente con el tipo de fuente de energía indicado en la etiqueta de especificaciones. Si no está seguro del tipo de suministro de energía de su casa, consulte a su distribuidor o a la compañía de electricidad de su localidad. Para los productos diseñados para funcionar con pila o con fuente de energía, consulte las instrucciones de operación.
- 17) Sobrecarga - No sobrecargue las tomas de corriente, cables de extensión o integradas porque esto puede provocar un riesgo de incendio o dañar el producto.
- 18) Protección contra objetos sólidos y líquidos - Nunca introduzca objetos de ningún tipo en este producto a través de las aberturas; pueden producir lesiones personales o daños al producto. No introduzca líquidos ni otros cuerpos extraños en el producto. No introduzca líquidos ni otros cuerpos extraños en el producto. No introduzca líquidos ni otros cuerpos extraños en el producto. No introduzca líquidos ni otros cuerpos extraños en el producto.
- 19) Montaje en pared o techo - Al montar el producto en una pared o techo, asegúrese de instalar el producto de acuerdo con el método recomendado por el fabricante.
- 20) Líneas de energía - Un sistema de antena exterior no debe estar ubicado en las proximidades de las líneas generadoras de energía, líneas eléctricas o circuitos de potencia, donde pudieran caer o tocarse. Al instalar una antena exterior del sistema, se debe tener extremo cuidado para no tocar dichas líneas eléctricas o circuitos, podria ser fatal.
- 21) Evitar incendios y peligros de descarga, no debe estar ubicado en las proximidades de las líneas generadoras de energía, líneas eléctricas o circuitos de potencia, donde pudieran caer o tocarse. Al instalar una antena exterior del sistema, se debe tener extremo cuidado para no tocar dichas líneas eléctricas o circuitos, podria ser fatal.
- 22) Evitar interferencia con protección - El producto debe estar protegido contra la interferencia con protección contra sobrecargas. Esta es una característica de seguridad. Véase el Manual de Instrucciones para la instalación y el mantenimiento del producto de protección. Si el enchufe suministrado no encaja en su toma de corriente, consulte a un electricista para que reemplace el tomacorriente con uno de mayor tamaño.
- 23) Cuando el cable o la clavija de CA está dañado, o si se ha dañado alguno líquido u otro objeto que caiga en el interior del producto.
- 24) Soporte - No coloque el producto en un cartón, soporte, trípode o mesa inestable. La colocación del producto en una base inestable puede ser la causa de que el producto se caiga, lo que podría resultar en lesiones personales o daños al producto. Utilice solamente el cartón, soporte, trípode, mesa o superficie especificados por el fabricante, o vendidos con el producto. Cuando coloque el producto en una pila, asegúrese de seguir las instrucciones del fabricante. Utilice solamente el hardware de montaje recomendado por el fabricante.

Precauciones

- General
 - Asegúrese de que el equipo esté colocado en un área bien ventilada y de que haya un espacio de 10 cm de espacio libre a lo largo de los lados y parte superior del equipo.
- Use el aparato sobre una superficie nivelada y firme, en un lugar que esté expuesto a vibraciones.
- Mantenga el aparato alejado de la luz directa del sol. Evite campos magnéticos, polvo excesivo, humedad y los equipos electrónicos (computadoras de hogar, facsimiles, etc.) que generen ruido eléctrico.
- No ponga nada encima del aparato.
- No exponga el aparato a la humedad, a temperaturas superiores a 60°C (140°F) o a temperaturas muy bajas.
- Si el sistema no funciona correctamente, desenchufe el cable de alimentación de la corriente alterna de la toma de corriente y vuelva a enchufarlo.
- Si el enchufe no encaja en la toma de corriente, consulte a un electricista para que reemplace el tomacorriente con uno de mayor tamaño.
- Si el enchufe suministrado no encaja en su toma de corriente, consulte a un electricista para que reemplace el tomacorriente con uno de mayor tamaño.
- No quite la tapa exterior dado que pueden producirse descargas eléctricas. Solícite el servicio técnico al centro de servicio local SHARP.
- Este aparato sólo debe ser utilizado dentro de un margen de temperaturas de 5°C - 35°C (41°F - 95°F).
- SHARP no es responsable del daño debido a un uso inadecuado. Para reparaciones, lleve la unidad a un centro de servicios autorizado por SHARP.

Precauciones (continuación)

- El adaptador CA/DC suministrado con el HT-SB30/HT-SB30 no debe ser utilizado con otros equipos.
- Nunca utilice un adaptador CA/DC diferente al especificado o lo contrario corra serio riesgo de problemas.
- Se debe utilizar la misma tensión que la especificada en el aparato. Si usa este aparato con una tensión más alta que la especificada, es peligroso y puede provocar incendios o accidentes que causen daños. SHARP no asumirá responsabilidad alguna por cualquier daño de este aparato que resulte del uso de una tensión distinta a la especificada.

Control de volumen

El nivel de sonido en un determinado volumen depende de la eficiencia del altavoz, la ubicación y otros factores. Es aconsejable evitar la exposición a altos niveles de sonido que excedan los límites de seguridad. SHARP no asumirá responsabilidad alguna por cualquier daño de este aparato que resulte del uso de una tensión distinta a la especificada.

Sólo para clientes de EE. UU.

GARANTÍA LIMITADA DEL CONSUMIDOR

SHARP ELECTRONICS CORPORATION garantiza a la primera persona que compra este producto (el "Producto"), siempre que sea en su empaque original, que será libre de defectos de mano de obra y materiales, y acepta que, a su opción, reparará el defecto o reemplazará el producto o parte del producto con un nuevo o reemplazado equivalente (sin cargo adicional por el cliente) si el producto o parte del producto se encuentra defectuoso dentro del período de garantía.

Esta garantía no se aplica a los accesorios, suministros o artículos de consumo que no están incluidos en el empaque original, a menos que hayan sido dañados o defectivos cuando se entregan en su empaque original. Para hacer valer los derechos en virtud de esta garantía limitada, el comprador debe seguir los pasos establecidos aquí y suministrar una prueba de compra al proveedor.

La garantía limitada descrita aquí es en adición a cualquier garantía implícita que se le otorga al comprador. TODAS LAS GARANTÍAS IMPLÍCITAS INCLUIDAS EN LA GARANTÍA DE COMERCIALIZACIÓN Y APTITUD PARA USO SON LIMITADAS POR EL PERÍODO DE LA GARANTÍA DESCRIBIDA AQUÍ. Algunos estados no permiten limitaciones de cuánto tiempo cubren las garantías implícitas, por lo que esta limitación podría no aplicarse a usted.

El personal de ventas y el vendedor o el agente de ventas autorizado por Sharp no están autorizados para hacer ninguna declaración que no sea la descrita aquí, o para extender o ampliar el alcance de la garantía más allá del período descrito aquí.

Las garantías descritas aquí son las únicas garantías otorgadas por Sharp y serán el único y exclusivo documento para el comprador. La creación de un recibo, o la entrega o el envío de dicho recibo, no constituye un cumplimiento de todas las responsabilidades y deberes de Sharp. Sharp no asumirá responsabilidad alguna por cualquier daño de este aparato que resulte del uso de una tensión distinta a la especificada. SHARP no asumirá responsabilidad alguna por cualquier daño de este aparato que resulte del uso de una tensión distinta a la especificada. SHARP no asumirá responsabilidad alguna por cualquier daño de este aparato que resulte del uso de una tensión distinta a la especificada. SHARP no asumirá responsabilidad alguna por cualquier daño de este aparato que resulte del uso de una tensión distinta a la especificada.

Esta garantía da lugar a ciertos derechos legales especiales. PUEDE QUE TENGA OTROS DERECHOS QUE VARIAN DE ESTADO EN ESTADO.

Sección específica de modelo
Su Producto Modelo Número y Descripción: HT-SB30HT-SB30 Barra de Sonido (Vea también la información disponible cuando necesite el servicio para su Producto.)

Período de garantía de este producto: Un (1) año de partes y mano de obra desde la fecha de compra.

Artículos Excluidos de la Cobertura de la garantía (si aplica): Accesorios, suministros y artículos de consumo.

Dónde obtener el servicio: Un Proveedor Autorizado de Servicio Técnico en los Estados Unidos. Para encontrar la ubicación del Proveedor Autorizado de Servicio Técnico, llame al 1-800-854-SHARP.

Qué hacer para obtener el servicio: Envíe el producto o lleve el producto a un Proveedor Autorizado de Servicio Técnico. No envíe el producto, asegúrese de que está asegurado y embalado de acuerdo con las instrucciones de SHARP.

PARA OBTENER INFORMACIÓN SOBRE SUMINISTROS, ACCESORIOS O PRODUCTO, LLAME 1-800-854-SHARP
SHARP ELECTRONICS CORPORATION
Sharp Plaza, Miramar, New Jersey 07650-1163

Notes particulières

ATTENTION
NE DÉMONTREZ PAS LA COUVERTURE NI LE PANNEAU POSTÉRIEUR À MOINS QU'UN TECHNICIEN DE SERVICE QUALIFIÉ.

AVERTISSEMENT
POUR RÉDUIRE LE RISQUE D'INCENDIE OU D'ÉLECTROCUTION, NE PAS EXPOSER CE DISPOSITIF À LA PLUIE OU À L'HUMIDITÉ.

DECLARATION DE LA FCC sur l'exposition aux radiations
Cet appareil est conforme avec les limites pour un appareil numérique de classe B, selon la partie 15 des Règles FCC. Il ne doit pas être utilisé ou ne doit pas fonctionner avec toute autre antenne ou transmetteur.

DECLARATION DE LA FCC sur l'exposition aux radiations (pour les utilisateurs au Canada)
Le dispositif de communication de radio incorporé dans cet appareil respecte tous les exigences de la RSS-247 de la Commission canadienne des radiodiffusions et des télécommunications. Cet appareil numérique de classe B est conforme avec les spécifications canadiennes ICES-003 Classe B.

POUR VOS DOSSIERS
Pour vous aider à retrouver votre appareil en cas de perte ou de vol, veuillez noter le numéro de série, inscrit sur le fond de l'appareil, et conservez soigneusement cette information.

N° de modèle: _____
N° de série: _____
Date d'achat: _____
Lieu d'achat: _____

REMARQUE
Cet équipement a été testé et déclaré conforme aux limites pour appareils numériques de classe B, selon la partie 15 des règlements de la FCC. Ces limites sont destinées à assurer une protection raisonnable contre les interférences nuisibles dans une installation résidentielle. Cet équipement génère, utilise et peut émettre de l'énergie de radiofréquence et, si n'est pas installé et utilisé conformément aux instructions, peut causer des interférences nuisibles aux communications radio. Il n'est toutefois aucune garantie que les interférences ne se produiront pas dans une installation particulière. Si cet équipement produit des interférences nuisibles à la réception de radio ou de télévision, ce qui peut être déterminé en éteignant l'appareil et en le rallumant, il est recommandé à l'utilisateur d'essayer de corriger la perturbation en prenant l'une ou plusieurs des mesures suivantes:

- Réorienter ou déplacer l'antenne réceptrice.
- Augmenter la séparation entre l'équipement et le récepteur.
- Brancher l'appareil sur un circuit différent de celui du récepteur.

CONSIGNES IMPORTANTES DE SÉCURITÉ

- L'électricité est utilisée pour réaliser de nombreuses fonctions utiles, mais si elle est utilisée incorrectement, elle peut occasionner des blessures et des dégâts matériels. Ce produit a été conçu et fabriqué avec la plus haute priorité accordée à la sécurité. Sans cependant, son utilisation incorrecte peut entraîner des blessures personnelles et/ou des incendies. Pour éviter les dangers, lisez attentivement les consignes de sécurité qui se trouvent dans le manuel d'instructions. Pour assurer votre sécurité et prolonger la durée de vie de votre produit, lisez attentivement les précautions suivantes avant d'utiliser.
- 1) Lisez ces instructions.
 - 2) Conservez ces instructions.
 - 3) Respectez les mises en garde.
 - 4) Suivez toutes les instructions.
 - 5) N'utilisez pas l'appareil à proximité de l'eau.
 - 6) Nettoyez uniquement avec un chiffon sec.
 - 7) Ne bloquez pas les ouvertures de ventilation. Installez l'appareil en respectant les instructions du fabricant.
 - 8) N'installez pas l'appareil à proximité de sources de chaleur comme des radiateurs, des chauffages, des cuisinières ou d'autres appareils (y compris les amplificateurs) qui produisent de la chaleur.
 - 9) Ne bloquez pas les ouvertures de sécurité des prises de courant polarisées ou à terre. La connexion électrique sûre est essentielle pour votre sécurité. Si le cordon secteur ou le câble d'alimentation ne s'insèrent pas dans la prise, consultez un électricien pour le remplacement de la prise.
 - 10) Assurez-vous que le cordon secteur ne puisse être piéciné ou pincé, particulièrement au niveau des prises de courant et aux points où il sort de l'appareil.
 - 11) N'utilisez que des accessoires/montages recommandés par le fabricant.
 - 12) Placez l'appareil uniquement sur un carton, un socle, un trépied, une table ou une surface recommandés par le fabricant ou vendus avec l'appareil. Si vous utilisez un carton, montrez-vous que le produit est correctement placé sur le carton et qu'il est stable.
 - 13) Débranchez cet appareil pendant un orage ou lorsqu'il est resté longtemps inutilisé.
 - 14) Faites appel à un technicien qualifié pour tout débranchement, démontage ou réparation. Les réparations seront nécessaires lorsque le produit sera endommagé de quelque manière que ce soit: lorsque le câble ou la clavette d'alimentation sera endommagé, lorsque le produit sera tombé ou lorsqu'il sera tombé.

CONSIGNES IMPORTANTES DE SÉCURITÉ (suite)

- 15) Pièces de rechange - Lorsque des pièces de rechange sont nécessaires, assurez-vous que le technicien de service utilise les pièces de rechange recommandées par le fabricant. Les pièces de rechange qui ne sont pas similaires à celles des pièces originales peuvent entraîner des incendies, des décharges électriques ou d'autres dangers.
- 16) Sources d'énergie - Ce produit doit être utilisé uniquement avec le type de source d'énergie indiqué sur l'étiquette de spécifications. Si vous n'êtes pas sûr du type de fourniture d'énergie de votre domicile, consultez votre fournisseur ou la compagnie d'électricité locale. Pour les produits conçus pour fonctionner avec des piles ou une source d'énergie, consultez les instructions d'utilisation.
- 17) Protection contre les objets solides et les liquides - Ne jamais introduire d'objets de quelque nature que ce soit dans le produit à travers les ouvertures; ils peuvent causer des blessures personnelles ou des dommages au produit. Ne versez jamais de liquide ni d'autres corps étrangers dans le produit. Ne versez jamais de liquide ni d'autres corps étrangers dans le produit. Ne versez jamais de liquide ni d'autres corps étrangers dans le produit.
- 18) Montage sur mur ou plafond - Lors du montage du produit sur un mur ou plafond, assurez-vous que le produit est installé conformément aux méthodes recommandées par le fabricant.
- 19) Éviter les incendies et les dangers de décharge, ne doit pas être installé dans les proximités des lignes génératrices d'énergie, des lignes électriques ou des circuits de puissance, où ils pourraient tomber ou être touchés. Lors de l'installation d'une antenne externe du système, il faut faire très attention pour ne pas toucher ces lignes électriques ou circuits, ce qui pourrait être fatal.
- 20) Éviter l'interférence avec la protection - Le produit doit être protégé contre l'interférence avec la protection contre les surcharges. C'est une caractéristique de sécurité. Voir le Manuel d'Instructions pour l'installation et l'entretien du produit de protection. Si le cordon secteur ou le câble d'alimentation ne s'insèrent pas dans la prise, consultez un électricien pour le remplacement de la prise.
- 21) Support - Ne placez pas l'appareil sur un carton, un support, un trépied ou une table instable. Si l'appareil est placé sur une base instable, il peut tomber et causer des blessures personnelles ou des dommages au produit. Utilisez uniquement le carton, le support, le trépied, la table ou la surface recommandés par le fabricant ou vendus avec l'appareil. Lorsque vous placez le produit sur une pile, assurez-vous de suivre les instructions du fabricant. Utilisez uniquement le matériel de montage recommandé par le fabricant.

Précautions

- Général
 - Veillez à ce que votre appareil soit installé dans un lieu bien aéré et prévoyez un espace d'au moins 10 cm de libre espace sur les côtés et le dessus de votre appareil.
- Utilisez l'appareil sur une surface plane, horizontale et exempte de vibrations.
- Maintenez l'appareil à l'écart de la lumière directe du soleil, des champs magnétiques, de la poussière excessive ou du bruit, et évitez les interférences électromagnétiques, le bruit, les champs magnétiques, la poussière excessive, l'humidité et les équipements électroniques (ordinateurs, télécopieurs, etc.) qui produisent du bruit.
- Ne placez rien sur le dessus.
- Maintenez l'appareil à l'écart de l'humidité de la chaleur excessive (supérieure à 60°C (140°F) ou du froid excessif).
- Si votre système ne fonctionne pas correctement, débranchez le cordon d'alimentation de la prise murale CA et rebranchez-le.
- Si le cordon secteur ou le câble d'alimentation ne s'insèrent pas dans la prise, consultez un électricien pour le remplacement de la prise.
- Si le cordon secteur ou le câble d'alimentation ne s'insèrent pas dans la prise, consultez un électricien pour le remplacement de la prise.
- Ne retirez pas la couverture externe de l'appareil.
- Si l'appareil ne fonctionne pas correctement, contactez le service technique de votre centre de service local SHARP.
- Ce produit ne doit être utilisé que dans une plage de températures de 5°C à 35°C (41°F - 95°F).
- SHARP n'est pas responsable des dommages en raison d'une mauvaise utilisation. Confiez toute réparation à un centre de réparations agréé par SHARP.

Précautions (suite)

- Respecter la tension indiquée sur l'appareil. Le fonctionnement sur une tension plus élevée est dangereux et risque de provoquer un incendie et/ou autre type d'accident. SHARP ne sera pas tenu responsable des dommages causés en cas de non-respect de la tension spécifiée.
- Commande de volume
 - Le niveau sonore d'un réglage de volume dépend d'un nombre de facteurs tels que l'efficacité de l'appareil et son emplacement. Il est recommandé d'éviter l'exposition à des volumes sonores élevés, ou d'éviter de produire quand on utilise l'appareil à un niveau de volume élevé ou durant l'utilisation prolongée de réglage à un volume élevé.

Ne concerne que les utilisateurs des Etats Unis

CONSUMER LIMITED WARRANTY

SHARP ELECTRONICS CORPORATION warrants to the first consumer purchaser that this Sharp brand product (the "Product"), when shipped in its original container, will be free from defects in workmanship and materials, and agrees that it will, at its option, either repair the defect or replace the defective Product or part thereof with a new or re-manufactured equivalent (not for charge to the purchaser) if the product or part of the product is found to be defective within the warranty period.

This warranty does not apply to any accessories items of the Product nor to the additional accessories set forth below which are not included in the original container, unless they have been damaged or defective when shipped in their original container. In order to enforce the rights under this limited warranty, the purchaser should follow the steps set forth below and provide proof of purchase to the service center.

The limited warranty described herein is in addition to whatever implied warranties may be granted by purchaser by law. IMPLIED WARRANTIES INCLUDING THE WARRANTIES OF MERCHANTABILITY AND FITNESS FOR USE ARE LIMITED TO THE PERIODIC FROM THE DATE OF PURCHASE SET FORTH BELOW. Some states do not allow limitations on how long an implied warranty lasts, so the above limitation may not apply to you.

Neither the sales personnel of the seller nor any other person is authorized to make any warranties other than those described herein or to extend the duration of the above limited warranty, or to provide any other service or benefit.

The warranties described herein shall be void and exclusive warranties granted by Sharp and shall be the sole and exclusive warranties available to the purchaser. No other warranties, express or implied, shall be made by Sharp. Sharp shall not be liable for, or in any way responsible for, any damages or defects in the Product which were caused by fire, flood, lightning, or other causes not mentioned in the above limited warranty. Sharp shall be liable for, or in any way responsible for, any damages or defects in the Product which were caused by fire, flood, lightning, or other causes not mentioned in the above limited warranty. This warranty gives you specific legal rights. YOU MAY ALSO HAVE OTHER RIGHTS WHICH VARY FROM STATE TO STATE.

Model Specific Section
Your Product Model Number & Description: HT-SB30HT-SB30 Sound Bar Home Theater System (See also the information available when you need service for your Product.)

Warranty Period for this Product: One (1) year parts and labor from the date of purchase.

Additional Items Excluded from Warranty Coverage (If Any): Non-functional accessories, supplies, and consumable items.

Where to Obtain Service: A Sharp Authorized Service Center located in the United States. To find a location of the nearest Sharp Authorized Service Center, please call 1-800-854-SHARP.

What to do to Obtain Service: Ship prepaid or carry your Product to a Sharp Authorized Service Center. Do not ship the Product, be sure it is insured and packaged according to SHARP instructions.

TO OBTAIN SUPPLY, ACCESSORY OR PRODUCT INFORMATION, CALL 1-800-854-SHARP
SHARP ELECTRONICS CORPORATION
Sharp Plaza, Miramar, New Jersey 07650-1163

POUR CANADA SEULEMENT

SHARP
GARANTIE LIMITEE
Produits électroniques de consommation
Félicitations pour votre achat!

Sharp Electronics of Canada Ltd. ("Sharp") garantit à l'utilisateur acheteur de ce produit de marque Sharp ("le produit"), que si ce produit est défectueux dans son emballage original ou dans son état d'origine, Sharp réparera ou remplacera le produit ou une partie du produit avec un nouveau ou reconstitué équivalent (sans charge pour l'acheteur) si le produit ou une partie du produit est trouvé défectueux dans le délai de la garantie.

Cette garantie ne s'applique pas aux accessoires, fournitures ou articles de consommation qui ne sont pas inclus dans l'emballage original, à moins qu'ils aient été endommagés ou défectueux lorsqu'ils ont été livrés dans leur emballage original. Pour faire valoir vos droits en vertu de cette garantie limitée, l'acheteur doit suivre les étapes énumérées ci-dessous et fournir une preuve d'achat au fournisseur.

La garantie limitée décrite ici est en plus de toute garantie implicite que le vendeur peut vous offrir par loi. LES GARANTIES IMPLIQUES INCLUSES DANS LA GARANTIE DE COMMERCIALIZATION ET D'APTITUDE POUR L'USAGE SONT LIMITÉES PAR LA DURÉE DE LA GARANTIE DÉCRITE ICI. Certains états ne permettent pas de limiter la durée de la garantie implicite, de sorte que cette limitation pourrait ne pas s'appliquer à vous.

Ni le personnel de vente, ni le vendeur ou l'agent de vente autorisé par Sharp ne sont autorisés à faire aucune déclaration qui ne soit la décrite ici, ou à étendre ou à modifier le champ de la garantie au-delà de la période décrite ici.

Les garanties décrites ici sont les seules garanties accordées par Sharp et seront le seul et exclusif document pour le consommateur. La création d'un reçu, ou l'envoi ou le dépôt d'un tel reçu, ne constitue pas un respect de toutes les obligations et responsabilités de Sharp. Sharp ne sera pas responsable de tout dommage ou défaut du produit qui résulte de l'utilisation d'une tension autre que celle spécifiée. SHARP ne sera pas responsable de tout dommage ou défaut du produit qui résulte de l'utilisation d'une tension autre que celle spécifiée. SHARP ne sera pas responsable de tout dommage ou défaut du produit qui résulte de l'utilisation d'une tension autre que celle spécifiée. SHARP ne sera pas responsable de tout dommage ou défaut du produit qui résulte de l'utilisation d'une tension autre que celle spécifiée.

Section spécifique au modèle
Votre Numéro de Modèle et Description du Produit: HT-SB30HT-SB30 Barre de Sonit (Voir également les informations disponibles lorsque vous avez besoin de service pour votre Produit.)

Période de garantie de ce produit: Un (1) an de pièces et main d'œuvre à compter de la date d'achat.

Articles Exclues de la Couverture de la garantie (s'il y a lieu): Accessoires, fournitures et articles de consommation.

Où obtenir le service: Un Centre de Service Autorisé Sharp aux États-Unis. Pour trouver l'emplacement du Centre de Service Autorisé Sharp le plus proche, appelez le 1-800-854-SHARP.

Que faire pour obtenir le service: Envoyer le produit ou apporter le produit à un Centre de Service Autorisé Sharp. Ne pas envoyer le produit, assurez-vous qu'il est assuré

Free Manuals Download Website

<http://myh66.com>

<http://usermanuals.us>

<http://www.somanuals.com>

<http://www.4manuals.cc>

<http://www.manual-lib.com>

<http://www.404manual.com>

<http://www.luxmanual.com>

<http://aubethermostatmanual.com>

Golf course search by state

<http://golfingnear.com>

Email search by domain

<http://emailbydomain.com>

Auto manuals search

<http://auto.somanuals.com>

TV manuals search

<http://tv.somanuals.com>