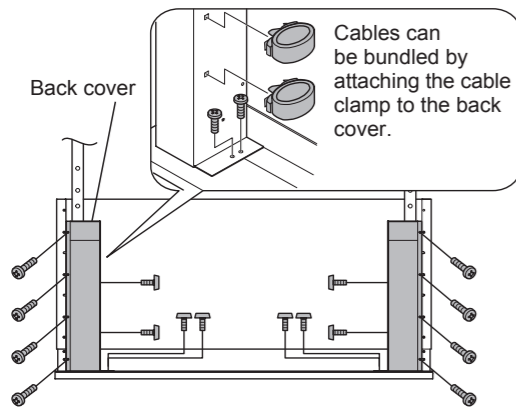
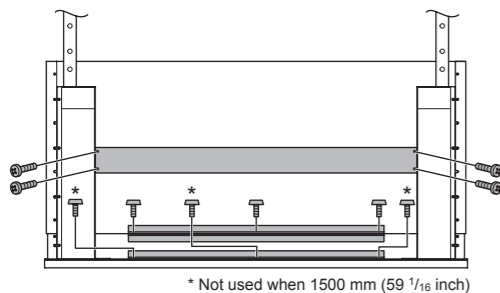


## Installation procedure (continued)

- 5** Attach the left and right back cover with 16 supplied M6 screws.



- 6** Attach the cover reinforcement angle with the supplied M6 screws to secure the front cover. (Use 10 screws for 1600 mm (63 inch), 7 screws for 1500 mm (59 1/16 inch).)



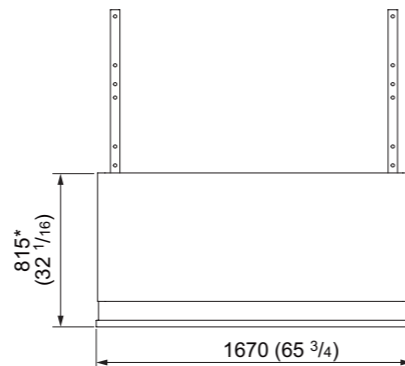
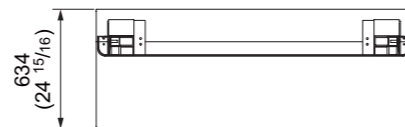
## Main specifications

Model	PN-ZS1C
Dimensions	See the figure below.
Weight	Approx. 77 kg (169.8 lbs.) (Weight includes support rods, covers and screws)

As a part of our policy of continuous improvement, SHARP reserves the right to make design and specification changes for product improvement without prior notice. The performance specification figures indicated are nominal values of production units. There may be some deviations from these values in individual units.

Unit: mm (inch)

(The figure shows the approximate values.)



\* Height when mounted at 1600 mm (63 inch)  
715 mm (28 1/8 inch) when mounted at 1500 mm (59 1/16 inch)

# SHARP®

## Operation Manual Stand cover

Applicable models (as of July 2008) LCD MONITOR LB-1085

# PN-ZS1C

### ● Thank you for purchasing a SHARP product.

Before using the product, please be sure to read this operation manual carefully. In particular, be sure to read the section "To ensure safe and correct use". After reading the manual, keep it in a convenient location where it can be accessed at any time.

### TIPS

- Please understand that Sharp Corporation bears no responsibility for errors made during use by the customer or a third party, nor for any other malfunctions or damage to this product arising during use, except where indemnity liability is recognized under law.
- This product and its accessories may be upgraded without advance notice.

## To ensure safe and correct use

This operation manual and the product use various displays and labels to ensure safe use. Ignoring these displays and labels and incorrectly using the product could have results as classified below.

Please read the following warning symbol information before reading the rest of this section, and be sure to strictly observe all instructions.

**⚠ Warning:** Not following these instructions could result in death or serious injury.

- **The installation must be performed by qualified service personnel.**  
Improper installation work may cause the monitor to fall or topple over, resulting in injury.
- **Secure the stand with the anchor bolts before assembling these parts.**  
Otherwise, the monitor may topple over, resulting in injury.
- **Only use the accessories with specified models. Do not modify the LCD Monitor or the accessories.**  
Otherwise, the monitor may fall or topple over, resulting in injury.

**⚠ Caution:** Not following these instructions could result in injury or property damage.

- **Tighten all the screws and bolts fully and securely.**  
Insufficient tightening may cause the monitor to fall or topple over, resulting in injury.
- **When any deformation or cracks are found please stop using the LCD Monitor.**  
Using the monitor without repairing the problem may cause the monitor to fall or topple over, resulting in injury.

**SHARP®**  
SHARP CORPORATION

# Supplied accessories

Confirm that the following accessories have been provided with the product.

- Support rod x 2
- M8 bolt x 4
- M8 spring washer x 4
- M8 plain washer x 4
- Left and right base reinforcement angles (x 1 each)
- Left and right cover mounting angles (x 1 each)
- Front and rear base plates (x 1 each)
- Front cover x 1
- Extension front cover x 1
- Left and right back covers (x 1 each)
- Cover reinforcement angle x 1
- M6 screw x 56
- Cable clamp x 4
- Operation manual (this manual)

# Precautions on use

- The installation, removal, or transportation of the LCD Monitor must be performed by qualified service personnel. The LCD Monitor is large and heavy. Installation requires special knowledge and qualifications.
- Customers should not attempt to install, remove, or transport the LCD Monitor by themselves.
- SHARP shall have no liability for any accidents or damages caused by improper installation or mishandling.

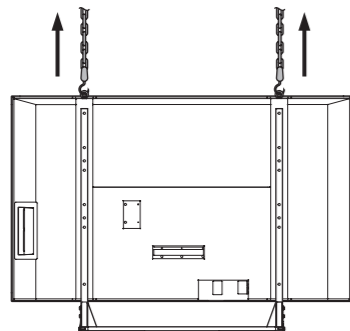
# Installation procedure

## Mounting support rods

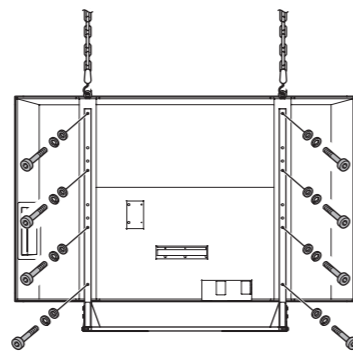
### Caution

- The LCD Monitor is large and heavy. It must be moved with a hoisting device (chain block, etc.).
- Installation requires at least four people.

- 1** Make sure the LCD Monitor stand is secured with anchor bolts.
- 2** Insert the hooks of the hoisting device into the eye bolts of the LCD Monitor and slightly lift the monitor.
  - Lift up the monitor so that the hoisting chains become taut.

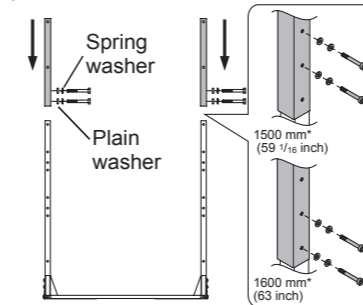


- 3** Remove the stand mounting bolts on the rear and detach the LCD Monitor from the stand.
  - Loosen the 8 bolts gradually and evenly. If it is difficult to loosen the bolts, lift the monitor up slightly with the hoisting device to reduce the load on the bolts.
  - Check the hoisting condition frequently to prevent the LCD Monitor from falling.



## 4 Mount the support rods to the stand.

- Mount using the supplied M8 bolts.
- The support rods can be mounted at two different heights.

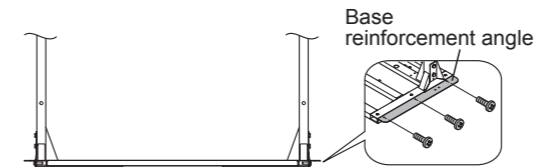


\*Height to center of the LCD Monitor

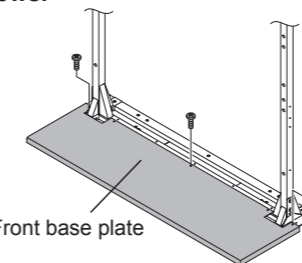
## 5 Hoist to the height where the LCD Monitor is to be mounted.

## Mounting stand cover

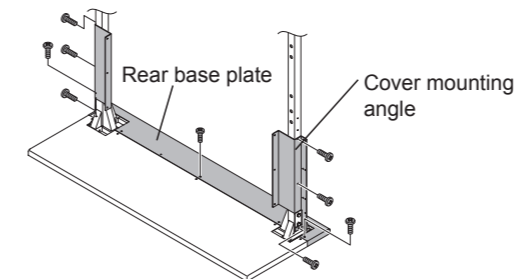
### 1 Attach the base reinforcement angle (L and R) to the stand of the monitor with 6 supplied M6 screws.



### 2 Attach the front base plate with 3 supplied M6 screws.



### 3 Attach the rear base plate, then the cover mounting angle (L and R) with 9 supplied M6 screws.

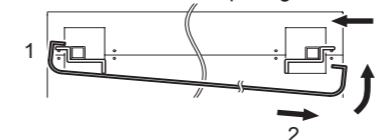


### 4 Attach the front cover with the top edge up.

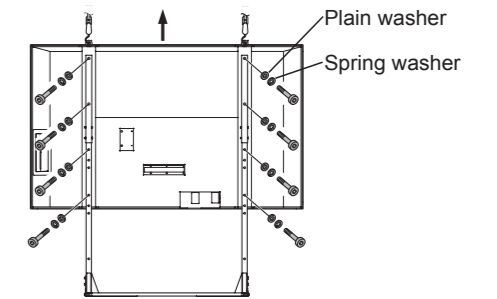
- Turn the front cover over if the screw holes are not aligned.
- Make sure that the front cover does not scrape against the base plates to prevent scratching.

#### Front cover mounting procedure

Fit one side of the front cover over the cover mounting angle (1), then fit the other side while pulling outwards (2, 3, 4).



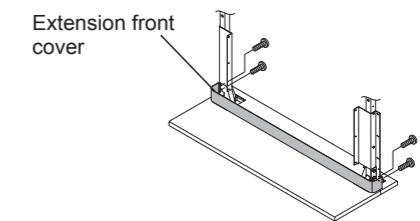
## 6 Mount the LCD Monitor to the stand (and support rods) using the bolts removed in step 3.



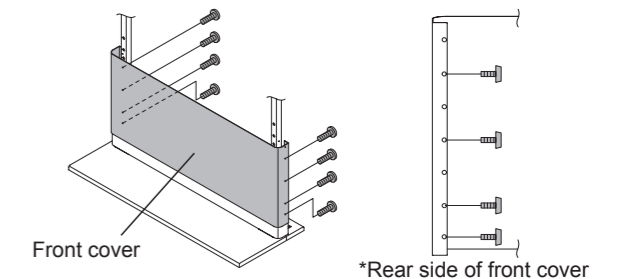
## 7 Confirm that the LCD Monitor is mounted securely, and then remove the hooks of the hoisting device.

[Step 4 continued]

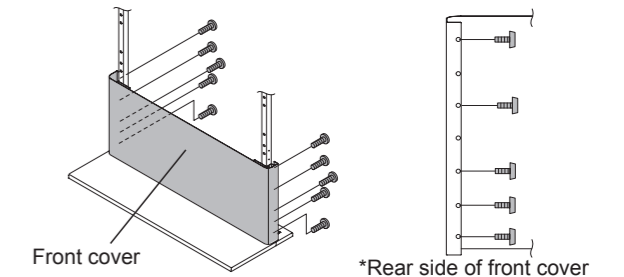
- When height is 1600 mm (63 inch)
- (1) Attach the extension front cover with 4 supplied M6 screws.



- (2) Attach the front cover with 8 supplied M6 screws.



- When height is 1500 mm (59 1/16 inch)
- (1) Attach the front cover with 10 supplied M6 screws.



## Free Manuals Download Website

<http://myh66.com>

<http://usermanuals.us>

<http://www.somanuals.com>

<http://www.4manuals.cc>

<http://www.manual-lib.com>

<http://www.404manual.com>

<http://www.luxmanual.com>

<http://aubethermostatmanual.com>

Golf course search by state

<http://golfingnear.com>

Email search by domain

<http://emailbydomain.com>

Auto manuals search

<http://auto.somanuals.com>

TV manuals search

<http://tv.somanuals.com>