

RYOBI®

130rEB

Electric Trimmer / Edger / Blower

OPERATOR'S MANUAL



FOR QUESTIONS, CALL 1-800-345-8746 in U.S. or
1-800-265-6778 in CANADA
www.ryobi.com

IMPORTANT MANUAL

DO NOT THROW AWAY

INTRODUCTION

THANK YOU

Thank you for buying this quality product. This modern outdoor power tool will provide many hours of useful service. You will find it to be a great labor-saving device. This operator's manual provides you with easy-to-understand operating instructions. Read the whole manual and follow all the instructions to keep your new outdoor power tool in top operating condition.

PRODUCT REFERENCES, ILLUSTRATIONS AND SPECIFICATIONS

All information, illustrations and specifications in this manual are based on the latest product information available at the time of printing. We reserve the right to make changes at any time without notice.

Copyright© 1999 Ryobi Outdoor Products, Inc.
All Rights Reserved.

Click-Link® is a registered trademark of Ryobi Outdoor Products.

Bump Head™ is a trademark of Ryobi Outdoor Products.

SERVICE INFORMATION

Service on this unit both within and after the warranty period should be performed only by an authorized and approved service dealer.

Dial:

- **1-800-345-8746** or **www.ryobi.com** on the world wide web for authorized service dealers in the United States

Or

- **1-800-265-6778** in Canada to obtain the listing of the authorized service dealer nearest you.

to obtain the listing of the authorized service dealer nearest you.

DO NOT RETURN THE UNIT TO THE RETAILER.

NOTE: PROOF OF PURCHASE WILL BE REQUIRED FOR WARRANTY SERVICE.

Make sure this manual is carefully read and understood before starting or operating this equipment.

THIS PRODUCT IS COVERED BY ONE OR MORE US PATENTS, OTHER PATENTS PENDING.

TABLE OF CONTENTS

I.	Rules for Safe Operation	3-7
	A. Important Safety Information	4-5
	B. Safety and International Symbols	6
	C. Know Your Unit	7
II.	Assembly Instructions	8
	A. Adjusting D-Handle	8
	B. Installing Cutting Attachment Shield	8
III.	Operating Instructions	9-13
	A. Connecting the Power Cord	9
	B. Starting the Unit	9
	C. Stopping the Unit	9
	D. Operating the Two-Speed Switch	9
	E. Operating Click-Link System	10
	F. Holding the Trimmer	11
	G. Adjusting Trimming Line Length	11
	H. Tips for Best Trimming Results	11
	I. Decorative Trimming	12
	J. Holding the Unit with Edger Add-On	12
	K. Adjusting Edger Cutting Depth	12
	L. Tips for Best Edging Results	12
	M. Holding the Unit with Sweeper/Blower Add-On	13
	N. Operating Tips When Using Sweeper/Blower	13
IV.	Maintenance and Repair Instructions	14-16
	A. Servicing of Double Insulated Units	14
	B. Line Installation	14
	C. Installing a Prewound Reel	15
	D. Edger Blade Replacement	16
	E. Accessories and Replacement Parts	16
V.	Cleaning and Storage	17
	A. Cleaning	17
	A. Inspect Extension Cords	17
	A. Storage	17
VI.	Troubleshooting Chart	17
VII.	Specifications	18
VIII.	Warranty	20

CONTENTS OF CARTON

- Model 130rEB Trimmer with D-Handle and Cutting Attachment Shield
- LE720r Edger Add-On
- SB720r Sweeper/Blower Add-On
- Locking Rod
- Operator's Manual
- Product Registration Card

RULES FOR SAFE OPERATION

The purpose of safety symbols is to attract your attention to possible dangers. The safety symbols, and their explanations, deserve your careful attention and understanding. The safety warnings do not by themselves eliminate any danger. The instructions or warnings they give are not substitutes for proper accident prevention measures.

SYMBOL MEANING



SAFETY ALERT SYMBOL:

Indicates danger, warning, or caution. Attention is required in order to avoid serious personal injury. May be used in conjunction with other symbols or pictographs.

NOTE: Advises you of information or instructions vital to the operation or maintenance of the equipment.



DANGER:

Failure to obey a safety warning will result in serious injury to yourself or to others. Always follow the safety precautions to reduce the risk of fire, electric shock, and personal injury.



WARNING:

Failure to obey a safety warning can result in injury to yourself and others. Always follow the safety precautions to reduce the risk of fire, electric shock, and personal injury.



CAUTION:

Failure to obey a safety warning may result in property damage or personal injury to yourself or to others. Always follow the safety precautions to reduce the risk of fire, electric shock, and personal injury.

• IMPORTANT SAFETY INSTRUCTIONS •



WARNING:

When using this electric garden tools, basic safety precautions should always be followed to reduce the risk of fire, electric shock, and personal injury. Carefully read and understand the entire Operator's Manual before using your unit. Pay close attention to the Operating Instructions and Safety Warnings.

READ ALL INSTRUCTIONS

WARNING:

To reduce the risk of fire, electric shock, or injury:

- Do not leave the unit plugged in. Unplug from outlet when not in use, changing attachments, blades, cutting line or before servicing.
- Avoid dangerous environments. Never operate your unit in damp or wet conditions. Moisture is a shock hazard.
- Do not use the unit in the rain.
- Do not handle the unit with wet hands.
- Use the right tool. Use this unit only as described in this manual. Do not use for any job except that for which it is intended. Use only the manufacturer's recommended attachments.
- Do not abuse the power cord. Do not pull or carry the unit by the cord, use cord as a handle, close a door on cord, or pull the cord around sharp edges or corners. Keep the cord away from heated surfaces, oil and sharp edges.

- Turn off all controls before unplugging.
- Do not unplug by pulling on the cord. To unplug, grasp the plug, not the cord.
- Keep hair, loose clothing, fingers, and all parts of body away from openings and moving parts.
- Do not allow to be used as a toy. Close attention is necessary when used by or near children.
- Inspect all extension cords and the unit power connection periodically. Look closely for deterioration, cuts or cracks in the insulation. Also inspect the connections for damage. Replace the cords if any defects or damage appear.
- Risk of cut. Keep hands away from blades and cutting attachments. Keep both hands on handles when power is on.
- To reduce the risk of electrical shock, use only with an extension cord intended for outdoor use, such as SW-A, SOW-A, STW-A, STOW-A, SJW-A, SJOW-A, SJTW-A or SJTOW-A.
- To reduce the risk of electrical shock, this unit has a polarized plug (one blade is wider than the other) and will require the use of a polarized extension cord. This unit plug will fit into a polarized extension cord only one way. If the plug does not fit fully into the extension cord, reverse the plug. If the plug still does not fit, obtain a correct polarized extension cord. A polarized extension cord will require the use of a polarized wall outlet. This plug will fit into a polarized wall outlet only one way. If the plug does not fit fully into the wall outlet, reverse the plug. If the plug still does not fit, contact a qualified electrician to install the proper wall outlet. Do not change the unit plug, extension cord receptacle, or extension cord plug in any way.

RULES FOR SAFE OPERATION

- Ground Fault Circuit Interrupter (GFCI) protection should be provided on the circuit(s) or outlet(s) to be used for this unit. Receptacles are available having built-in GFCI protection and may be used for this measure of safety.
- **EXTENSION CORDS:** Make sure your extension cord is in good condition. When using an extension cord, be sure to use a cord that is heavy enough to carry the current that your unit will draw. An undersized extension cord will cause a drop in line voltage resulting in loss of power and overheating. The table shows the correct size to use depending on the cord length and nameplate amperage rating. If in doubt, use the next heavier size line gauge. The smaller the gauge number, the heavier the cord. To reduce the possibility of disconnection of the unit from the extension cord during operation, see Fig. 5, page 9.
- A nameplate on your unit indicates what voltage it uses. Never connect the unit to an AC voltage that differs from this voltage.

MINIMUM WIRE SIZE FOR EXTENSION CORDS FOR 120 VOLT APPLIANCES				
Cord length (ft)	25	50	100	150
Amperage Rating	Wire size (AWG)			
1 to 10 amps	18	16	14	12
10 to 12 amps	16	16	14	12
12 to 16 amps	14	12	NOT RECOMMENDED	

BEFORE OPERATING

- Read the instructions carefully. Be familiar with the controls and proper use of the unit.
- Always remain alert. Use common sense. To prevent injury to yourself and others, do not operate this unit if you are fatigued.
- Do not operate the unit while under the influence of drugs, alcohol or medication.
- Children and teens under the age of 15 must not use the unit, except for teens guided by an adult.
- Inspect the unit before use. Replace damaged parts. Make sure all fasteners are in place and secure. Replace cutting attachment parts that are cracked, chipped, or damaged in any way. Make sure the cutting attachment is properly installed and securely fastened. Be sure the cutting attachment shield is properly attached, and positioned as recommended. Failure to do so can result in personal injury to the operator and bystanders, as well as damage to the unit.
- Use only 0.080 inch (2.03 mm) diameter genuine Ryobi replacement line. Never use metal-reinforced line, wire, or rope, etc.. These can break off and become a dangerous projectile.
- Be aware of the risk of injury to the head, hands and feet.

- Clear the area to be cut before each use. Remove all objects such as rocks, broken glass, nails, wire, or string which can be thrown or become entangled in the cutting attachment. Clear the area of children, bystanders, and pets. At a minimum, keep all children, bystanders and pets outside a 50 feet (15 m.) radius; there still may be a risk to bystanders from thrown objects. Bystanders should be encouraged to wear eye protection. If you are approached, stop the engine and cutting attachment immediately.
- This unit was not designed to be used as a brushcutter. Do not attach or operate this unit with any type of brushcutting blade or brushcutting attachment.

WHILE OPERATING

- Avoid unintentional starting. Do not carry plugged-in unit with your finger on the switch. Be sure switch is off when plugging in.
- Wear safety glasses or goggles that are marked as meeting ANSI Z87.1 standards, and ear/hearing protection when operating this unit. Wear a face or dust mask if the operation is dusty.
- Wear heavy, long pants, boots, gloves and a long sleeve shirt. Do not wear loose clothing, jewelry, short pants, sandals or go barefoot. Secure hair above shoulder level.
- The cutting attachment shield must always be in place while operating the unit as a trimmer. Do not operate unit without both trimming lines extended, and the proper line installed. Do not extend the trimming line beyond the length of the shield.
- Adjust the assist handle to your size to provide the best grip.
- Be sure the cutting attachment is not in contact with anything before starting the unit.
- Use the unit only in daylight or good artificial light.
- Use the right tool. Only use this tool for the purpose intended.
- Do not overreach. Always keep proper footing and balance.
- Always hold the unit with both hands when operating. Keep a firm grip on both the front and rear handle or grips.
- Keep hands, face, and feet at a distance from all moving parts. Do not touch or try to stop the cutting attachment when it is rotating.
- Do not force unit. It will do the job better and with less likelihood of injury at a rate for which it was designed.
- Always stop the unit when operation is delayed or when walking from one work location to another.
- If you strike or become entangled with a foreign object, stop the unit immediately and check for damage. Do not operate before repairing damage. Do not operate the unit with loose or damaged parts.

RULES FOR SAFE OPERATION

- Stop and unplug the unit for maintenance, repair, or for changing the cutting attachment or other attachments.
- Use only genuine Ryobi replacement parts and accessories for this unit. These are available from your authorized service dealer. Use of any non Ryobi parts or accessories could lead to serious injury to the user, or damage to the unit, and void your warranty.
- This unit is provided with double-insulation. Use only identical replacement parts. See instructions for Servicing of Double-Insulated Units.
- Keep unit clean of vegetation and other materials. They may become lodged between the cutting attachment and shield.
- Maintain the unit with care. Keep cutting edge sharp and clean for best performance and to reduce the risk of injury. Follow instructions for lubricating and changing accessories. Keep handles dry, clean and free from oil and grease. Always use a clean cloth when cleaning. Never use brake fluid, gasoline, petroleum-based products, or any strong solvents to clean your tool.
- Check for damaged parts. Before further use of the unit, a guard or other part that is damaged should be carefully checked to determine that it will operate properly and perform its intended function. Check for alignment of moving parts, binding of moving parts, breakage of parts, mounting, and any other condition that may effect the units operation. A guard or other part that is damaged should be properly repaired or replaced by an authorized service dealer unless indicated elsewhere in this manual.

WHILE OPERATING WITH EDGER ADD-ON

- Inspect the unit before use. Ensure the blade is installed correctly and secure.
- Clear the area to be edged before each use. Remove all objects such as rocks, broken glass, nails, wire, or string which can be thrown or become entangled in the edging attachment.
- Do not attempt to touch or stop the blade when it is rotating.
- A coasting blade can cause injury while it continues to spin after the unit is stopped. Maintain proper control until the blade has completely stopped rotating.

- Do not run the unit at high speed when not edging.
- If you strike or become entangled with a foreign object, stop the unit immediately and check for damage. Have any damage repaired before attempting further operations. Do not operate unit with a bent, cracked or dull blade. Discard blades that are bent, warped, cracked or broken.
- Stop the unit IMMEDIATELY if you feel excessive vibration. Vibration is a sign of trouble. Inspect thoroughly for loose nuts, bolts or damage before continuing. Repair or replace affected parts as necessary.

WHILE OPERATING WITH SWEEPER/BLOWER ADD-ON

- Inspect the unit before use. Ensure the air intake on sweeper/blower is free of debris.
- Do not overreach. Always keep proper footing and balance. Take extra caution when cleaning on steps or stairs.
- Never point the Blower in the direction of people or pets, or in the direction of windows. Always direct the blowing debris away from people, animals, glass, and solid objects such as trees, automobiles, walls, etc.

OTHER SAFETY WARNINGS

- Allow the unit to cool before storing or transporting. Be sure to secure the unit while transporting.
- Store the unit indoors in a locked up and dry or high and dry place to prevent unauthorized use or damage, out of the reach of children.
- Never douse or squirt the unit with water or any other liquid. Keep handles dry, clean and free from debris. Clean after each use, see **Cleaning and Storage** instructions.
- Keep these instructions. Refer to them often and use them to instruct other users. If you loan someone this unit, also loan them these instructions.

SAVE THESE INSTRUCTIONS



WARNING: The operation of any power tool can cause foreign objects to be thrown into your eyes. This can lead to severe eye damage. Before commencing power tool operation, always wear safety glasses or goggles that are marked as meeting ANSI Z87.1 standards, and a full face shield when needed.

RULES FOR SAFE OPERATION

SAFETY AND INTERNATIONAL SYMBOLS

This operator's manual describes safety and international symbols and pictographs that may appear on this product. Read the operator's manual for complete safety, assembly, operating and maintenance and repair information.

SYMBOL

MEANING



- **SAFETY ALERT SYMBOL**

Indicates danger, warning, or caution. May be used in conjunction with other symbols or pictographs.



- **WARNING - READ OPERATOR'S MANUAL**

Read the Operator's Manual(s) and follow all warnings and safety instructions. Failure to do so can result in serious injury to the operator and/or bystanders.



- **FOR SERVICE INFORMATION, CALL:**

USA: 1-800-345-8746
CANADA: 1-800-265-6778



- **WEAR EYE AND HEARING PROTECTION**

WARNING: Thrown objects and loud noise can cause severe eye injury and hearing loss. Wear eye protection meeting ANSI Z87.1 standards and ear protection when operating this unit.



- **KEEP BYSTANDERS AWAY**

WARNING: Keep all bystanders, especially children and pets, at least 50 feet (15 m) from the operating area.



- **THROWN OBJECTS AND ROTATING CUTTER CAN CAUSE SEVERE INJURY**

WARNING: Do not operate without the cutting attachment shield in place. Keep away from the rotating cutting attachment or edger blade.



- **SPEED SWITCH**

Indicates "HIGH" or "FASTEST" speed.



- **SPEED SWITCH**

Indicates "LOW" or "SLOWEST" speed.



- **HOT SURFACE WARNING**

WARNING: The gear housing gets hot after long periods of use. To avoid serious personal injury, do not touch the housing until it has cooled.



- **SHARP BLADE**

WARNING: There is a sharp blade on the cutting attachment shield. To prevent serious injury, do not touch blade.



- **BLOWERS AND BLOWER/VACUUMS – ROTATING IMPELLER BLADES CAN CAUSE SEVERE INJURY**

WARNING: Stop, unplug the unit, and allow the impeller to stop before cleaning or performing any maintenance.

RULES FOR SAFE OPERATION

KNOW YOUR UNIT

APPLICATIONS

As a trimmer;

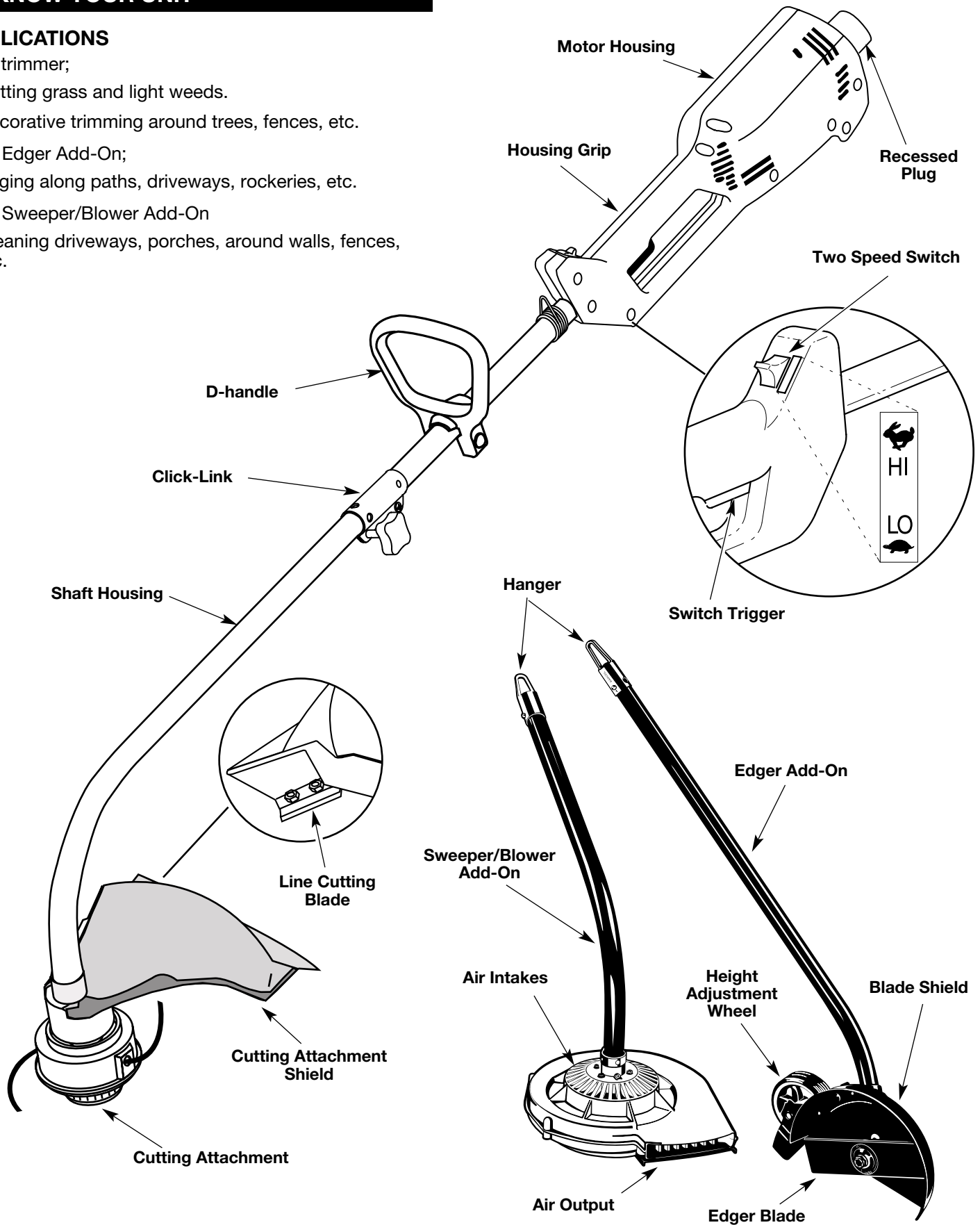
- Cutting grass and light weeds.
- Decorative trimming around trees, fences, etc.

With Edger Add-On;

- Edging along paths, driveways, rockeries, etc.

With Sweeper/Blower Add-On

- Cleaning driveways, porches, around walls, fences, etc.



ASSEMBLY INSTRUCTIONS

ADJUSTING THE D-HANDLE

1. Hold the unit in the operating position (Fig. 1).



Fig. 1

2. Loosen the wing nut (Fig. 2). It is not necessary to remove the wing nut, washer or bolt.
3. Position the D-handle to the location that provides you the best grip, and tighten the wing nut (Fig. 2).

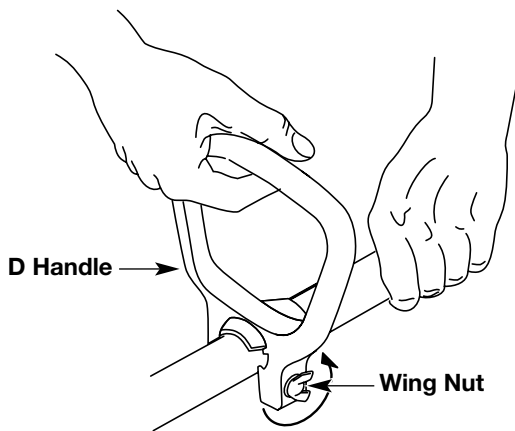


Fig. 2

INSTALLING CUTTING ATTACHMENT SHIELD



WARNING: To avoid injury, never operate the trimmer without the cutting attachment shield installed. If the trimmer is operated without it in place, you will VOID the warranty.

1. Place the cutting attachment shield onto the shaft housing above the clamp assembly (Fig. 3).
2. Push the cutting attachment shield down to the top of the cutting attachment assembly and then rotate the cutting attachment shield 180°. Align the 4 screw holes in the recessed pocket (Fig. 3).
3. Install the four (4) screws (10-24 x 1/2) with a regular Phillips screwdriver (Fig. 4). Tighten securely.

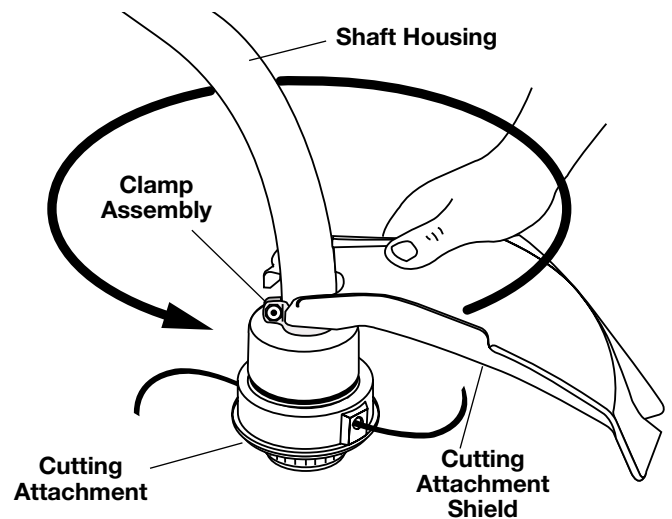


Fig. 3

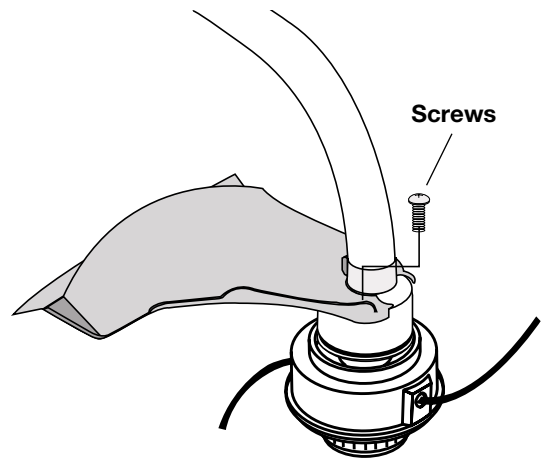


Fig. 4

OPERATING INSTRUCTIONS

CONNECTING THE POWER CORD



WARNING: To reduce the risk of electrical shock, this unit has a polarized plug (one blade is wider than the other) and will require the use of a polarized extension cord. This unit plug will fit into a polarized extension cord only one way. If the plug does not fit fully into the extension cord, reverse the plug. If the plug still does not fit, obtain a correct polarized extension cord. A polarized extension cord will require the use of a polarized wall outlet. This plug will fit into a polarized wall outlet only one way. If the plug does not fit fully into the wall outlet, reverse the plug. If the plug still does not fit, contact a qualified electrician to install the proper wall outlet. Do not change the unit plug, extension cord receptacle, or extension cord plug in any way.

1. Use the cord hook when you connect the extension cord to the power cord to prevent disconnection (Fig. 5). Use only an outdoor-approved extension cord as specified in the **Rules for Safe Operation** section.
2. Secure the extension cord to motor housing as shown (Fig. 5).

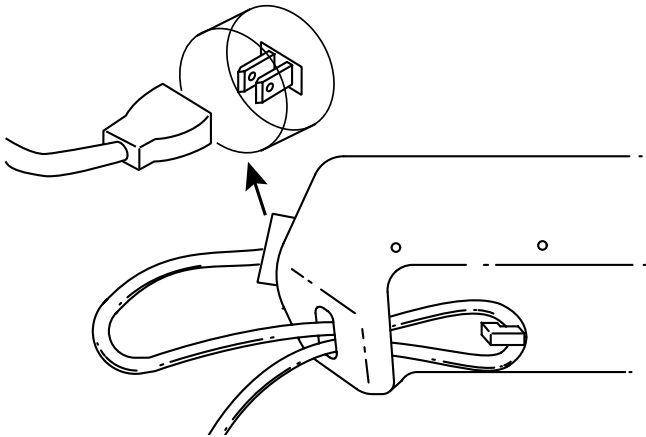


Fig. 5

STARTING THE UNIT

Be in the operating position (Fig. 1). Squeeze the trigger to start the trimmer (Fig. 6).

STOPPING THE UNIT

Release the trigger to stop the trimmer.

OPERATING THE TWO-SPEED SWITCH

This unit is equipped with a two-speed switch; a powerful high speed for demanding yard work, and a precision low speed for light-duty yard work.

Push the switch up for high speed trimming. Push the switch down for low speed trimming (Fig. 6).



CAUTION: Do not use the unit for demanding work with the switch in the low speed. This may cause the unit to overheat and fail.

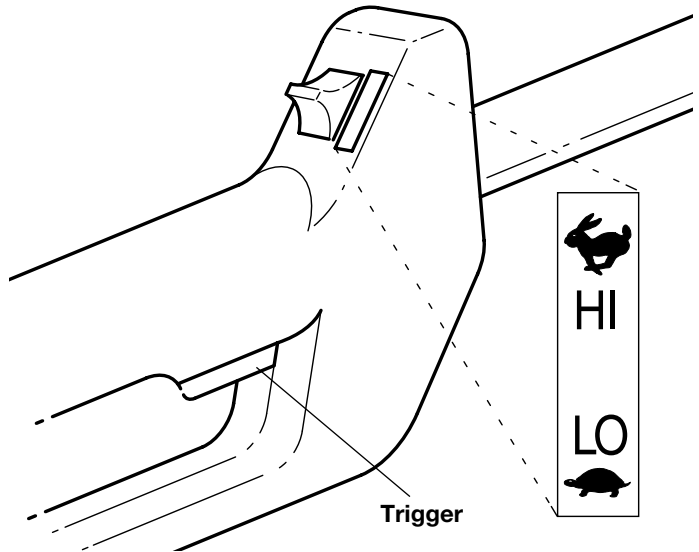


Fig. 6

OPERATING INSTRUCTIONS

OPERATING THE CLICK-LINK® SYSTEM

The Click-Link® system enables the use of these optional add-ons.

Blower/Vacuum	BV720r
Cultivator	GC720r
Hedge Trimmer (gas units only)	HS720r
Snow Thrower (gas units only)	ST720r
Straight Shaft Trimmer	SS725r
Tree Pruner	TP720r
Turbo Blower	TB720r



WARNING: Read and understand operator's manual for add-on prior to operation.

Removing the Cutting Attachment or Add-Ons:

1. Turn the knob counterclockwise to loosen (Fig. 7).
2. Press and hold the release button (Fig. 7).
3. While firmly holding the upper shaft housing, pull the cutting attachment or add-on straight out of the Click-Link® coupler.

Installing the Cutting Attachment or Add-Ons:



WARNING: To avoid serious personal injury, shut unit off before removing or installing add-ons.

NOTE: To make installing or removing the add-on easier, place the unit on the ground or on a work bench.

1. Turn the knob counterclockwise to loosen (Fig. 7).

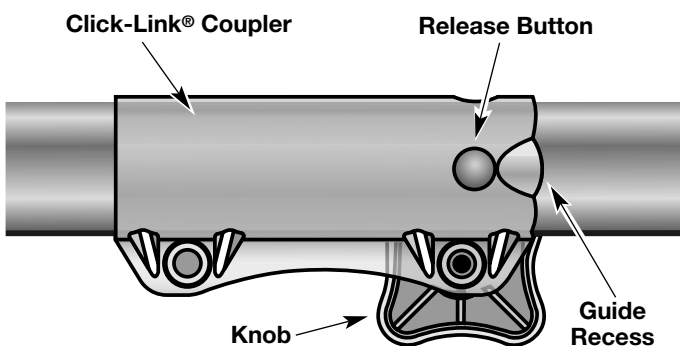


Fig. 7

2. While firmly holding the add-on, push it straight into the Click-Link® coupler (Fig. 8).

NOTE: Aligning the release button with the guide recess will help installation (Fig. 8).

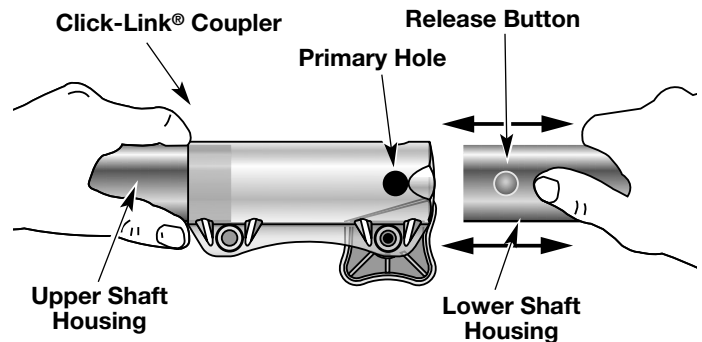


Fig. 8

3. Turn the knob clockwise to tighten (Fig. 9).



CAUTION: Lock the release button in the primary hole and securely tighten the knob before operating this unit.

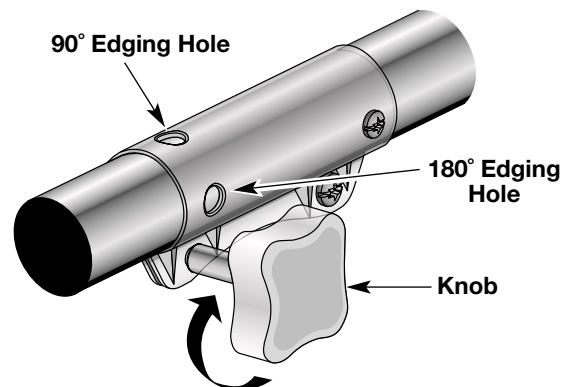


Fig. 9



CAUTION: The cutting attachment and add-ons with the Click-Link® system are to be used in the primary hole unless stated otherwise in the specific add-ons operator's manual. Using the wrong hole could lead to personal injury, or damage to the unit.

For edging when using the line head cutting attachment with Click-Link® models, lock the release button of the cutting attachment into the **90° edging hole** or the **180° edging hole**(Fig. 9). The edger add-on should be installed with the release button in the **primary hole**.

OPERATING INSTRUCTIONS

HOLDING THE TRIMMER



WARNING: Always wear eye, hearing, foot and body protection to reduce the risk of injury when operating this unit.

Before operating the unit, stand in the operating position (Fig. 10). Check for the following:

- The operator is wearing eye protection and proper clothing.
- The right arm is slightly bent, and the hand is holding the housing grip.
- The left arm is straight, and the hand is holding the D-handle.
- The unit is at waist level.
- The cutting attachment is parallel to the ground and easily contacts the vegetation to be cut without the operator having to bend over.



Fig. 10

ADJUSTING TRIMMING LINE LENGTH

The Bump Head™ cutting attachment allows you to release trimming line without stopping the engine. To release more line, lightly tap the cutting attachment on the ground (Fig. 11) while operating the trimmer at high speed.

NOTE: Always keep the trimming line fully extended. Line release becomes more difficult as cutting line becomes shorter.

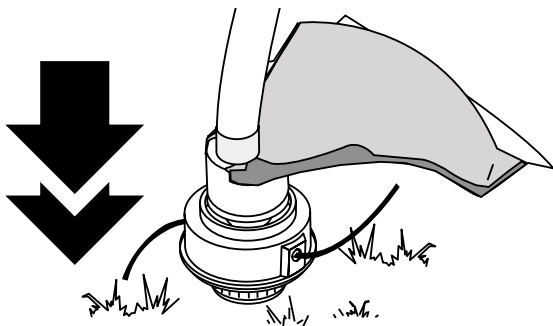


Fig. 11

Each time the head is bumped, about 1 inch (25.4 mm.) of trimming line is released. A blade in the cutting attachment shield will cut the line to the proper length if excess line is released.

For best results, tap the Bump Head on bare ground or hard soil. If line release is attempted in tall grass, the engine may stall. Always keep the trimming line fully extended. Line release becomes more difficult as the cutting line becomes shorter.

NOTE: Do not rest the Bump Head on the ground.



CAUTION: Do not remove or alter the line cutting blade assembly. Excessive line length will make the motor overheat. This may lead to serious personal injury or damage to the unit.

Some line breakage will occur from:

- Entanglement with foreign matter
- Normal line fatigue
- Attempting to cut thick, stalky weeds
- Forcing the line into objects such as walls or fence posts

TIPS FOR BEST TRIMMING RESULTS

- Keep the cutting attachment parallel to the ground.
- Do not force the cutting attachment. Allow the tip of the line to do the cutting (especially along walls). Cutting with more than the tip will reduce cutting efficiency and may overload the engine.
- Cut grass over 8 inches (200 mm.) by working from top to bottom in small increments to avoid premature line wear or engine drag.
- Cut from right to left whenever possible. Cutting to the left improves the unit's cutting efficiency. Clippings are thrown away from the operator.
- Slowly move the trimmer into and out of the cutting area at the desired height. Move either in a forward-backward or side-to-side motion. Cutting shorter lengths produces the best results.
- Trim only when grass and weeds are dry.
- The life of your cutting line is dependent upon:
 - Following the previous trimming techniques
 - What vegetation is being cut
 - Where it's being cut

For example, the line will wear faster when trimming against a foundation wall as opposed to trimming around a tree.

OPERATING INSTRUCTIONS

DECORATIVE TRIMMING

Decorative trimming is accomplished by removing all vegetation around trees, posts, fences, etc.

Rotate the whole unit so that the cutting attachment is at a 30° angle to the ground (Fig. 12).

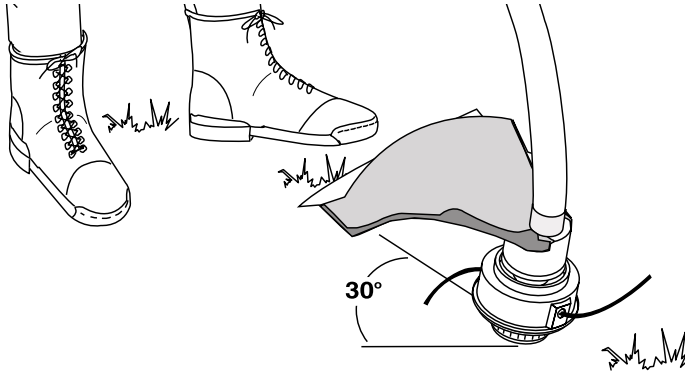


Fig. 12

HOLDING THE UNIT WITH EDGER ADD-ON



WARNING: Always wear eye, hearing, foot and body protection to reduce the risk of injury when operating this unit.

Before operating the unit, stand in the operating position (Fig. 13). Check for the following:

- The operator is wearing eye protection and proper clothing.
- The right arm is slightly bent, and the hand is holding the housing grip.
- The left arm is straight, and the hand is holding the D-handle.
- The unit is at waist level.
- The edger wheel adjusted for proper cut depth and edger positioned as shown in Fig. 13.

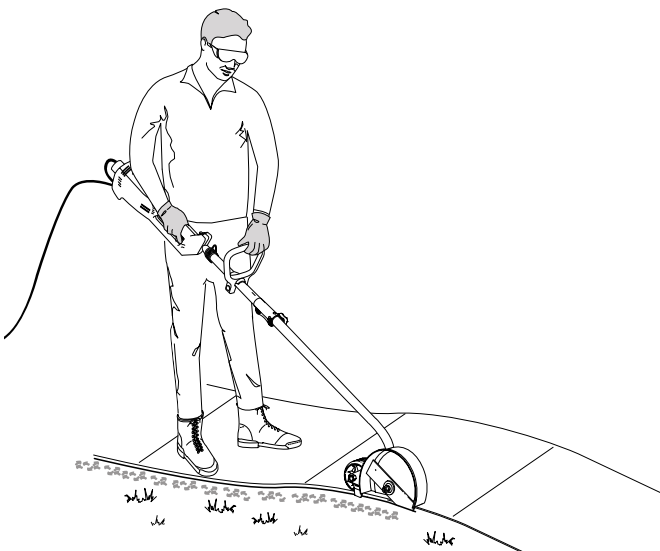


Fig. 13

ADJUSTING EDGER CUTTING DEPTH

1. Loosen the adjustment knob above the wheel (Fig 14).
2. Slide the wheel to the desired position.
 - Raising the wheel increases the cutting depth.
 - Lowering the wheel decreases the cutting depth.
3. Tighten the adjustment knob securely.

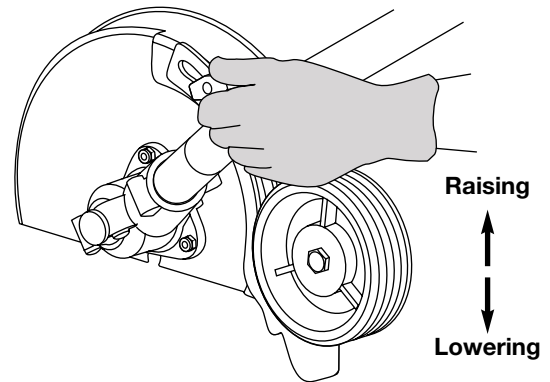


Fig. 14

TIPS FOR BEST EDGING RESULTS

- Keep the cutting attachment perpendicular to the ground.
- Do not force the edger. Edge the first time at a lower depth, then do the area again with a deeper setting.
- Walk the edger at a slow, even pace
- Check the blade condition, as it wears it becomes smaller, reducing the cutting depth performance. Replace with a new blade as required.

OPERATING INSTRUCTIONS

HOLDING THE UNIT WITH SWEEPER/BLOWER ADD-ON



WARNING: Always wear eye, hearing, foot and body protection to reduce the risk of injury when operating this unit.

Before operating the unit, stand in the operating position (Figs. 15). Check for the following:

- The operator is wearing eye protection and proper clothing.
- The right arm is slightly bent, and the hand is holding the housing grip.
- The left arm is straight, and the hand is holding the D-handle.
- The unit is at waist level.
- The sweeper/blower is parallel to the ground and is positioned so debris is blown away from operator.



WARNING: To prevent serious injury to yourself or others, or possible damage to property, never point the sweeper/blower in the direction of people or pets, or in the direction of windows. Always direct the blowing debris away from people, animals, glass, and solid objects such as trees, automobiles, walls, etc.

1. Use the sweeper/blower to clean around buildings, walls and fences (Figs. 15 & 16).
2. Use around trees, shrubs and flower beds (Fig. 17).



Fig. 15

OPERATING TIPS WHEN USING SWEEPER/BLOWER

- To reduce the risk of hearing loss associated with sound level(s), the use of hearing protection is required.
- Operate power equipment only at reasonable hours – not early in the morning or late at night when people might be disturbed. Comply with time listed in local ordinance. Usual recommendations are 9:00 am to 5:00 pm, Monday through Saturday.
- To reduce noise levels, limit the number of pieces of equipment used at any one time.
- To reduce noise levels, operate power blowers at the lowest possible speed to do the job.
- Use rakes and brooms to loosen debris before blowing.
- In dusty conditions, slightly dampen surfaces or use a mister attachment when water is available.
- Conserve water by using power blowers instead of hoses for many lawn and garden applications, including areas such as gutters, screens, patios, grills, porches, and gardens
- Watch out for children, pets, open windows, or freshly washed cars, and blow debris away.
- After using blowers and other equipment, CLEAN UP! Dispose of debris in trash receptacles.



Fig. 16



Fig. 17

MAINTENANCE AND REPAIR INSTRUCTIONS



WARNING: To avoid serious personal injury, be sure the unit is off and unplugged before cleaning or performing any maintenance on it.

SERVICING OF DOUBLE INSULATED UNITS

This unit is double-insulated. In a double-insulated unit, two systems of insulation are provided instead of grounding. No means of grounding are provided on a double-insulated unit, nor should a means for grounding be added to this unit.

Servicing a double-insulated unit requires extreme care and knowledge of the system, and should be done only by qualified service personnel. Replacement parts for a double-insulated unit must be identical to the parts they replace. Refer any repair to an authorized service dealer. A double-insulated unit is marked with the words "DOUBLE INSULATION" or "DOUBLE INSULATED."

LINE INSTALLATION

Always use genuine Ryobi 0.080 inch (2.03 mm.) replacement line. Line other than specified may make the motor overheat or fail.



WARNING: To prevent serious personal injury, never use metal-reinforced line, wire, or rope, etc.. These can break off and become a dangerous projectile.

There are two methods to replace the trimming line.

- Wind the inner reel with new line
- Install a prewound inner reel

Winding the Existing Inner Reel

1. Hold the outer spool with one hand and unscrew the Bump Knob™ **counterclockwise** (Fig. 18). Inspect the bolt inside the Bump Knob to make sure it moves freely. Replace the Bump Knob if damaged.

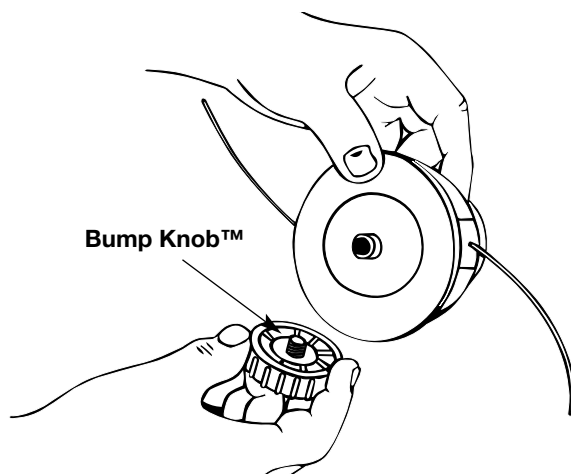


Fig. 18

2. Remove the inner reel from the outer spool (Fig. 19).
3. Remove spring from the inner reel (Fig. 19).

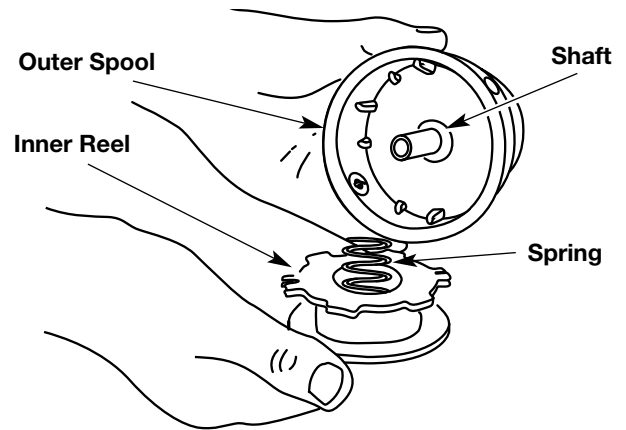


Fig. 19

4. Use a clean cloth to clean the inner reel, spring, shaft, and inner surface of the outer spool (Fig. 20).

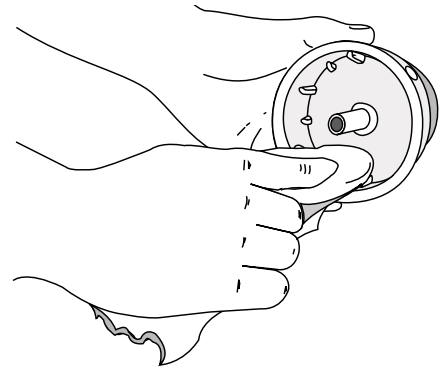


Fig. 20

5. Check the indexing teeth on the inner reel and outer spool for wear (Fig. 21). If necessary, remove burrs or replace the reel and spool.

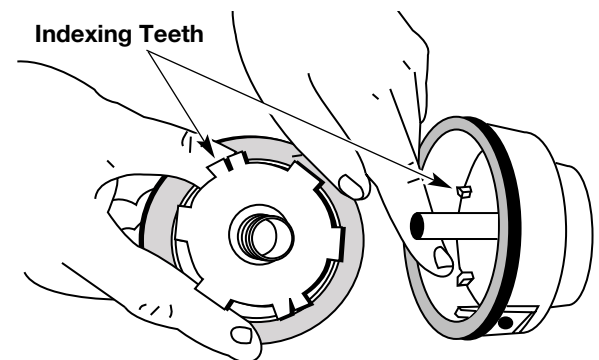


Fig. 21

6. Take approximately 25 feet (7.6 m) of new 0.080 inch diameter trimming line, loop it into two equal lengths. Insert each end of the line through one of the two holes in the inner reel (Fig. 22). Pull the line through the inner reel so that the loop is as small as possible.

NOTE: Always use the correct line length when installing trimming line on the unit. The line may not release properly if the line is too long.

MAINTENANCE AND REPAIR INSTRUCTIONS

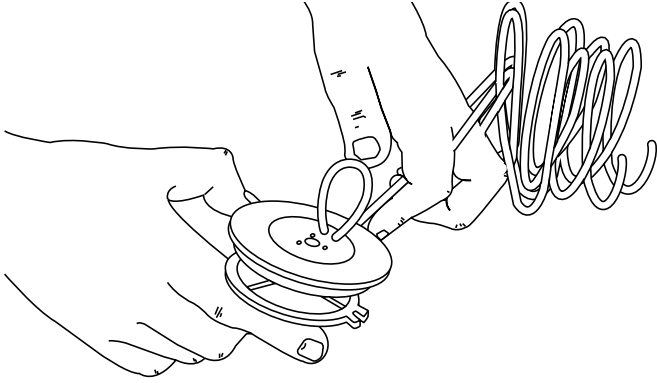


Fig. 22

7. Wind the lines in tight even layers, onto the reel (Fig. 23). Wind the line in the direction indicated on the inner reel. Place your index finger between the two lines to stop the lines from overlapping. Do not overlap the ends of the line.

NOTE: Failure to wind the line in the direction indicated will cause the cutting attachment to operate incorrectly.

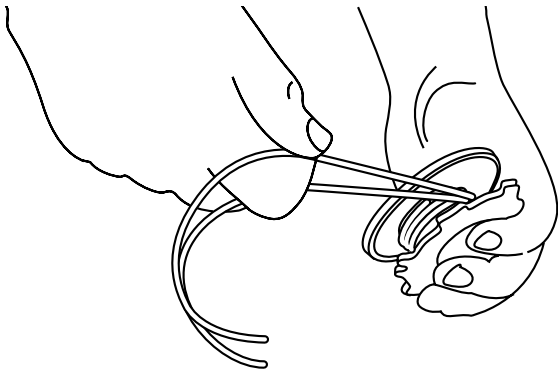


Fig. 23

8. Insert the ends of the line into the two holding slots (Fig. 24).

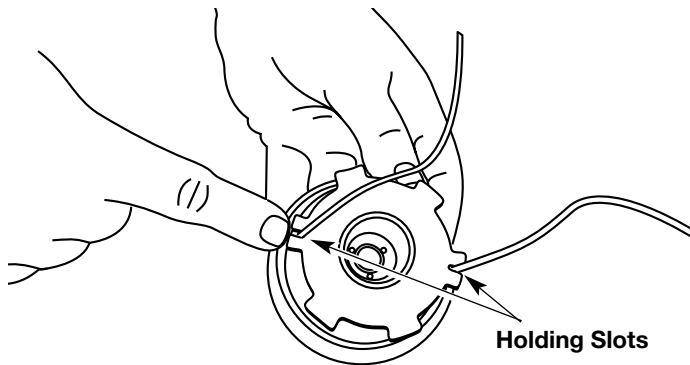


Fig. 24

9. Place the spring in the inner reel. Insert the ends of the line through the eyelets in the outer spool and place inner reel inside the outer spool (Fig. 25). Push the inner reel and outer spool together. While holding the inner reel and outer spool, grasp the ends and pull firmly to release the line from the holding slots in the spool.

NOTE: The spring must be assembled on the inner reel before reassembling the cutting attachment.

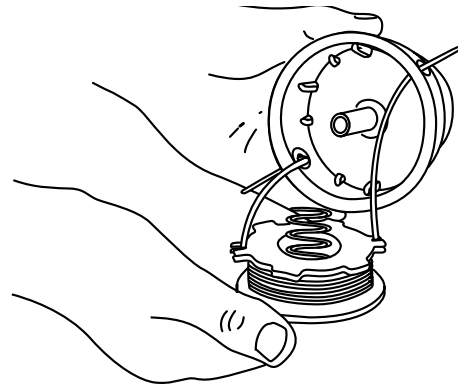


Fig. 25

10. Hold the inner reel in place and install the Bump Knob by turning **clockwise**. Tighten securely.

INSTALLING A PREWOUND REEL

1. Hold the outer spool with one hand and unscrew the Bump Knob **counterclockwise** (Fig. 18). Inspect the bolt inside the Bump Knob to make sure it moves freely. Replace the Bump Knob if damaged.
2. Remove the old inner reel from the outer spool (Fig. 19).
3. Remove the spring from the old inner reel (Fig. 19).
4. Use a clean cloth to clean the spring, shaft, and inner surface of the outer spool (Fig. 20).
5. Place the spring in the new inner reel. Insert the ends of the line through the eyelets in the outer spool (Fig. 25).
6. Place the new inner reel inside the outer spool. Push the inner reel and outer spool together. While holding the inner reel and outer spool, grasp the ends and pull firmly to release the line from the holding slots in the spool.

NOTE: The spring must be assembled on the inner reel before reassembling the cutting attachment.

7. Hold the inner reel in place and install the Bump Knob by turning **clockwise**. Tighten securely.

MAINTENANCE AND REPAIR INSTRUCTIONS

EDGER BLADE REPLACEMENT

WARNING: To avoid serious personal injury, always wear gloves while handling, removing or installing the blade.

WARNING: The gear housing gets hot after long periods of use. To avoid serious personal injury, do not touch the housing until it has cooled.

1. Line up the hole in output shaft with the locking rod slot. Insert the locking rod through the slot into the output shaft hole (Fig. 26).
2. While holding the locking rod, loosen the nut on the blade by turning it **clockwise** with a 5/8 inch wrench (Fig. 27). Remove the nut, retaining washer and blade. Keep the nut and blade retainer for installation.
3. Install the new blade, blade retainer, and nut (Fig. 28). Insert the locking rod through the slot into the output shaft hole. Make sure that the blade stays flat and centered against the output shaft while tightening the lock nut **counterclockwise** (Fig. 29).

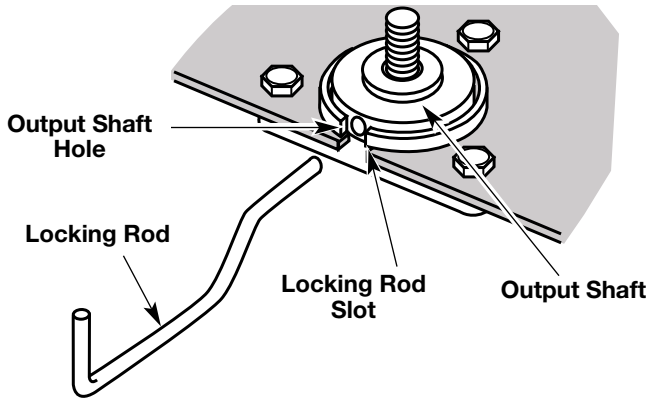


Fig. 26

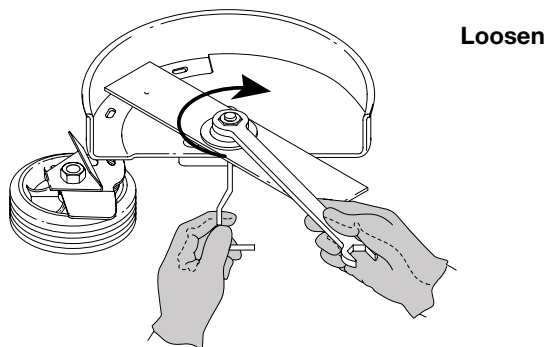


Fig. 27

4. If you have a torque wrench, tighten the nut to **325-335 in.•lbs (37-38 N•m)**, while holding the locking rod in the slot.

If you do not have a torque wrench, hold the locking rod in the slot. Rotate the nut **counterclockwise** with a 5/8 inch closed-ended or socket wrench, until the nut presses against the washer and the blade is snug. Make sure the blade assembly is installed correctly, then rotate the nut an additional **1/4-1/2 turn** (Fig. 29).

5. Remove the locking rod.

WARNING: Verify the blade is flat against the output shaft after the nut is tightened. If the blade is off-center, the unit will be damaged by vibration, and the blade may fly off, which can cause serious personal injury.

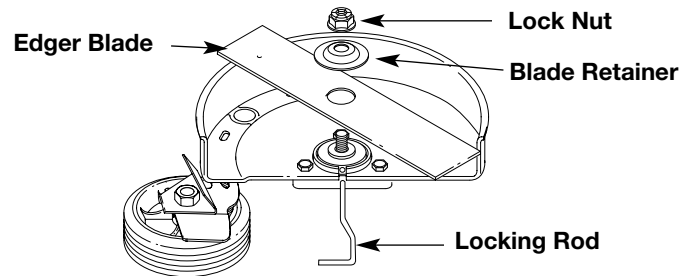


Fig. 28

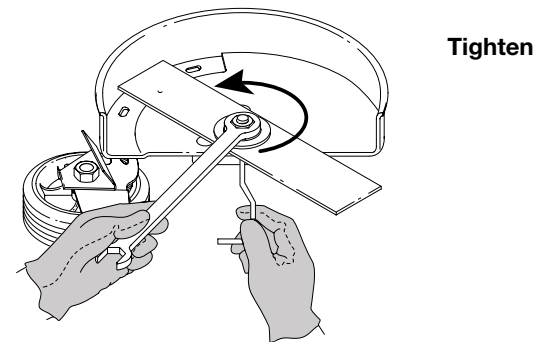


Fig. 29

ACCESSORIES/REPLACEMENT PARTS

Replacement Line	610375
Replacement Line Cartridge	153577
Inner Reel Spring	610317
Bump Head Knob Assembly	153066
Edger Blade	613223
Blade Retaining Kit (edger blade)	180015
Locking Rod Tool	613226
Shoulder Strap	682075

CLEANING AND STORAGE

CLEANING



WARNING: To avoid serious personal injury, be sure the unit is off and unplugged before cleaning or performing any maintenance on it.

1. Switch off the unit and disconnect it from the power source.
2. Use a small brush or the air discharge of a vacuum cleaner brush to keep the air vents free of obstructions.
3. Do not use strong detergents on the plastic housing or components. These can be damaged by certain household cleaners that contain aromatic oils such as pine and lemon, and by solvents such as kerosene or acetone. Moisture can also cause a shock hazard. Wipe off any moisture with a soft cloth.

INSPECT EXTENSION CORDS

Inspect all extension cords periodically. Look closely for deterioration, cuts or cracks in the insulation. Inspect the connectors for damage. Replace cords if defective or damaged.

STORAGE

- Store the unit indoors, away from moisture and harmful substances such as fertilizers and solvents.
- Store the unit indoors in a locked up and dry, or high and dry place to prevent unauthorized use or damage, out of the reach of children.

TROUBLESHOOTING

CUTTING ATTACHMENT WILL NOT ADVANCE LINE

CAUSE

Cutting attachment bound with grass
Cutting attachment out of line
Inner reel bound up
Cutting attachment dirty
Line welded

Line twisted when refilled
Not enough line is exposed

ACTION

Stop, unplug the unit, and clean cutting attachment
Refill with new line
Replace the inner reel
Clean inner reel and outer spool
Disassemble, remove the welded section and rewind the line
Disassemble and rewind the line
Push the Bump Knob and pull out line until 4 inches (102 mm.) of line is outside of the cutting attachment

SPECIFICATIONS

MOTOR

Motor Type	A.C. 110 Volt Electric
Operating RPM (both lines fully extended)	
Low Speed	5,000-5,500 rpm
High Speed	6,000-7,000 rpm
Amperage	5.2 Amps
Ignition Switch	.Momentary Trigger Switch

DRIVE SHAFT and CUTTING ATTACHMENT

Drive Shaft Housing	Steel Tube, Click-Link
Unit Weight (with cutting attachment, cutting attachment shield and D-handle)	12.25 lbs. (5.6 kg.)
Cutting Mechanism	Dual Line Bump Head
Shoulder Strap	Optional
Line Spool Diameter	3 in (76.2 mm)
Trimming Line Diameter	0.080 in (2.03 mm.)
Cutting Path Diameter	15 in. (38.1 cm)

EDGER ADD-ON

Unit Weight (Add-On only)	5.25 lbs. (2.36 kg.)
Cutting Depth (maximum)	2.5 in. (63.5 mm)
Wheel Diameter	3.75 in (95.25 mm)
Gearbox Ratio	1.23:1

SWEEPER/BLOWER ADD-ON

Unit Weight (Add-On only)	3.25 lbs. (1.46 kg.)
Air Output Velocity	up to 100 MPH

NOTES

LIMITED TWO-YEAR WARRANTY

RYOBI OUTDOOR PRODUCTS warrants each new RYOBI Product for two (2) years according to the following terms.

This warranty extends to the original retail purchaser only and commences on the date of original retail purchase.

Any part of the RYOBI Product manufactured or supplied by RYOBI and found in the reasonable judgement of RYOBI to be defective in material or workmanship will be repaired or replaced by an authorized RYOBI service dealer without charge for parts and labor.

The RYOBI Product including any defective part must be returned to an authorized service dealer within the warranty period. The expense of delivering the RYOBI Product to the dealer for warranty work and the expense of returning it back to the owner after repair or replacement will be paid for by the owner. RYOBI's responsibility in respect to claims is limited to making the required repairs or replacements and no claim of breach of warranty shall be cause for cancellation or rescission of the contract of sale of any RYOBI Product. Proof of purchase will be required by the dealer to substantiate any warranty claim. All warranty work must be performed by an authorized RYOBI service dealer.

This warranty is limited to ninety (90) days from the date of original retail purchase for any RYOBI Product that is used for rental or commercial purposes, or any other income-producing purpose.

This warranty does not cover any RYOBI Product that has been subject to misuse, neglect, negligence, or accident, or that has been operated in any way contrary to the operating instructions as specified in the RYOBI Operator's Manual. This warranty does not apply to any damage to the RYOBI Product that is the result of improper maintenance or to any RYOBI Product that has been altered or modified so as to adversely affect the product's operation, performance or durability or that has been altered or modified so as to change its intended use. The warranty does not extend to repairs made necessary by normal wear or by the use of parts or accessories which are either incompatible with the RYOBI Product or adversely affect its operation, performance or durability.

In addition, this warranty does not cover:

- A. Wear items - Bump Knobs, Outer Spools, Cutting Line, Inner Reels, Edger Blades

RYOBI reserves the right to change or improve the design of any RYOBI Product without assuming any obligation to modify any product previously manufactured.

ALL IMPLIED WARRANTIES ARE LIMITED IN DURATION TO THE TWO (2) YEAR WARRANTY PERIOD OR NINETY (90) DAYS FOR PRODUCTS USED FOR ANY COMMERCIAL PURPOSE. ACCORDINGLY, ANY SUCH IMPLIED WARRANTIES INCLUDING MERCHANTABILITY, FITNESS FOR A PARTICULAR PURPOSE, OR OTHERWISE, ARE DISCLAIMED IN THEIR ENTIRETY AFTER THE EXPIRATION OF THE APPROPRIATE TWO-YEAR OR NINETY DAY WARRANTY PERIOD. RYOBI'S OBLIGATION UNDER THIS WARRANTY, IS STRICTLY AND EXCLUSIVELY LIMITED TO THE REPAIR OR REPLACEMENT OF DEFECTIVE PARTS, AND ROP DOES NOT ASSUME OR AUTHORIZE ANYONE TO ASSUME FOR THEM ANY OTHER OBLIGATION. SOME STATES DO NOT ALLOW LIMITATIONS ON HOW LONG AN IMPLIED WARRANTY LASTS, SO THE ABOVE LIMITATION MAY NOT APPLY TO YOU.

RYOBI ASSUMES NO RESPONSIBILITY FOR INCIDENTAL, CONSEQUENTIAL OR OTHER DAMAGES INCLUDING, BUT NOT LIMITED TO EXPENSE OF RETURNING THE RYOBI PRODUCT TO AN AUTHORIZED SERVICE DEALER AND EXPENSE OF DELIVERING IT BACK TO THE OWNER, MECHANIC'S TRAVEL TIME, TELEPHONE OR TELEGRAM CHARGES, RENTAL OF A LIKE PRODUCT DURING THE TIME WARRANTY SERVICE IS BEING PERFORMED, TRAVEL, LOSS OR DAMAGE TO PERSONAL PROPERTY, LOSS OF REVENUE, LOSS OF USE OF THE PRODUCT, LOSS OF TIME, OR INCONVENIENCE. SOME STATES DO NOT ALLOW THE EXCLUSION OR LIMITATION OF INCIDENTAL OR CONSEQUENTIAL DAMAGES, SO THE ABOVE LIMITATION OR EXCLUSION MAY NOT APPLY TO YOU.

This warranty gives you specific legal rights, and you may also have other rights which vary from state to state.

This warranty applies to all RYOBI Products manufactured by RYOBI and sold in the United States and Canada.

To locate your nearest service dealer dial 1-800-345-8746 in the United States or 1-800-265-6778 in Canada.

RYOBI®

RYOBI OUTDOOR PRODUCTS

550 N. 54th Street
Chandler, AZ 85226 U.S.A.

RYOBI CANADA INC.

275 Industrial Rd
Cambridge, Ontario N1R 6K2 CANADA

SAVE THESE INSTRUCTIONS FOR FUTURE REFERENCE.

FOR QUESTIONS CALL 1-800-345-8746 IN U.S.

OR 1-800-265-6778 IN CANADA

**OPERATOR'S MANUAL PART NO. 182596
PRINTED IN U.S.A.**

**REV. A (51715)
11/99**

Free Manuals Download Website

<http://myh66.com>

<http://usermanuals.us>

<http://www.somanuals.com>

<http://www.4manuals.cc>

<http://www.manual-lib.com>

<http://www.404manual.com>

<http://www.luxmanual.com>

<http://aubethermostatmanual.com>

Golf course search by state

<http://golfingnear.com>

Email search by domain

<http://emailbydomain.com>

Auto manuals search

<http://auto.somanuals.com>

TV manuals search

<http://tv.somanuals.com>