

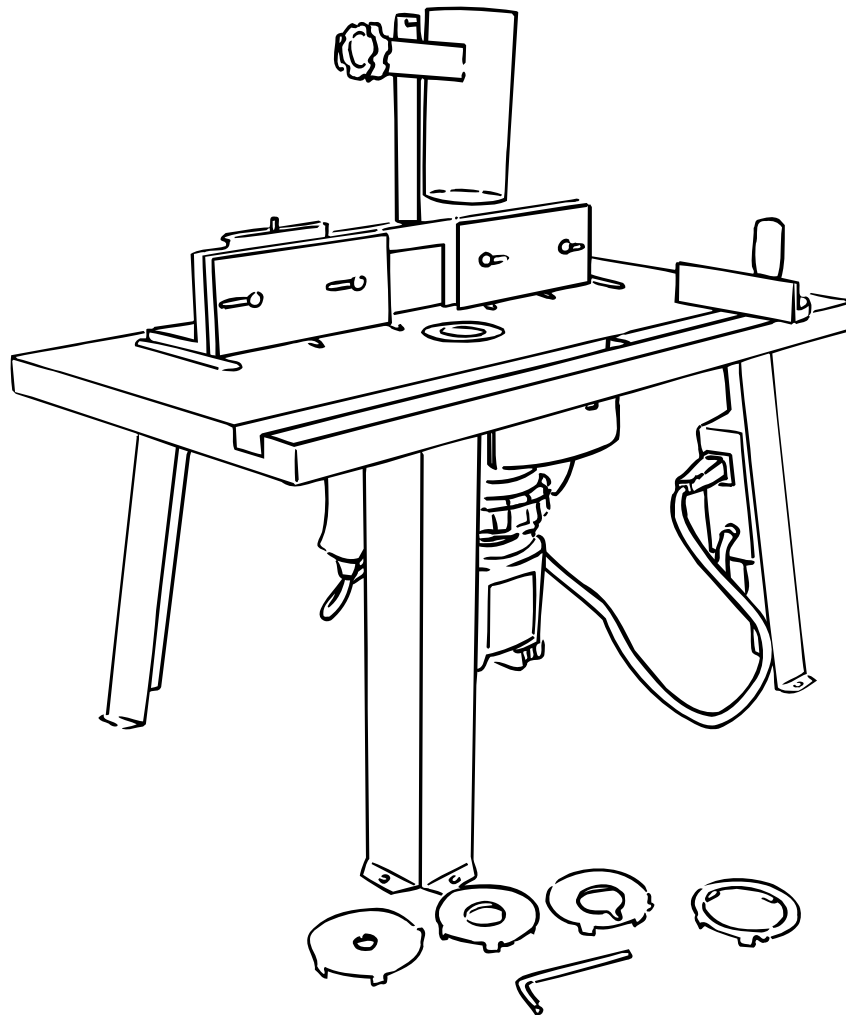


OPERATOR'S MANUAL

Model RT100 Router Table

Double Insulated

(For use only with the Ryobi R161 router)



THANK YOU FOR BUYING A RYOBI ROUTER TABLE

Your new router table has been engineered and manufactured to Ryobi's high standard for dependability, ease of operation, and operator safety. Properly cared for, it will give you years of rugged, trouble-free performance.



CAUTION: Carefully read through this entire operator's manual before using your new router table.

Pay close attention to the Rules for Safe Operation, Warnings, and Cautions. If you use your router table properly and only for what it is intended, you will enjoy years of safe, reliable service.

Please fill out and return the Warranty Registration Card so that we can be of future service to you.

Thank you again for buying a Ryobi router table.

SAVE THIS MANUAL FOR FUTURE REFERENCE

TABLE OF CONTENTS

- Table of Contents and Introduction 2
- Rules for Safe Operation 3-4
- Symbols 5
- Features..... 6
- Unpacking 7
- Assembly..... 8-9
- Operation 10-11
- Maintenance..... 12
- Notes 13
- Parts Ordering / Service 14

INTRODUCTION

Your router table has many features for making router operations more pleasant and enjoyable. Safety, performance, and dependability have been given top priority in the design of this router table making it easy to maintain and operate.



CAUTION:

Carefully read through this entire Operator's Manual and the entire R161 Operator's Manual before using your new router table. Pay close attention to the Rules for Safe Operation and all Safety Alert Symbols including Danger, Warning, and Caution. If you use your router table properly and only for what it is intended, you will enjoy years of safe, reliable service.

SPECIFICATIONS

Table Dimensions	12 in. x 24 in. x 1-1/8 in.
Table Footprint	16 in. x 24 in.
Dust Hookup	2-1/4 in.
Fence Width	16 in.
Maximum Stock Height	2-3/4 in.
Maximum Cutter Diameter	2-3/8 in.
Table Height	12 in.
Recommended Working Height (approximately)	37 in.
Miter Slot	3/8 in. x 3/4 in.
Maximum Stock Removal	1/8 in.
Maximum Incremental Removal per Pass	1/32 in.



WARNING:



The operation of any router can result in foreign objects being thrown into your eyes, which can result in severe eye damage. Before beginning power tool operation, always wear safety goggles or safety glasses with side shields and a full face shield when needed. We recommend Wide Vision Safety Mask for use over eyeglasses or standard safety glasses with side shields. Always wear eye protection which is marked to comply with ANSI Z87.1.

RULES FOR SAFE OPERATION

READ ALL INSTRUCTIONS

- **Know your power tool.** Safe operation of this power tool requires that you read and understand this operator's manual, the Operator's Manual for the R161 router and all labels affixed to the tool. Learn the applications and limitations as well as the potential hazards.

WARNING:

Do not connect your router or router table to a power source until you have assembled and adjusted the router table as described in this manual and have read and understood all precautions and operating instructions in the manual and printed on the tool.

WARNING:

When using electric tools, basic safety precautions should always be followed to reduce the risk of fire, electric shock, and personal injury. Use common sense. Some of these basic safety precautions include the following:

- **Always keep all guards in place** and in good working order.
- **Remove adjusting keys and wrenches.** Get in the habit of checking to see that hex keys and adjusting wrenches are removed from the tool before turning it on.
- **Keep the work area clean.** Cluttered work areas and work benches invite accidents.
- **Do not use in dangerous environments.** Do not use power tools near gasoline or other flammable liquids, in damp or wet locations, or expose them to rain. Keep the work area well lighted.
- **Keep children away from power tools.** All visitors should be kept at a safe distance from the work area.
- **Make the workshop child-proof** with padlocks and master switches or by removing starter keys.
- **Do not force the tool.** It will do the job better and safer at the rate for which it was designed.
- **Use the right tool.** Do not force the tool or attachment to do a job for which it was not designed.
- **Wear proper apparel.** Do not wear loose clothing, gloves, neckties, rings, bracelets, or other jewelry that could get caught in moving parts. Nonslip footwear is recommended. Wear protective covering over long hair.
- **Always wear safety glasses with side shields.** Everyday eyeglasses have only impact resistant lenses; they are not safety glasses.
- **Protect your lungs.** Wear a face or dust mask if the cutting operation is dusty.
- **Protect your hearing.** Wear hearing protection during extended periods of operation.
- **Secure the work.** Use clamps or a vise to hold the work when practical. It's safer than using your hand and frees both hands to operate the tool.
- **Do not overreach.** Keep proper footing and balance at all times.
- **Maintain the tool with care.** Keep cutters sharp and clean for the best and safest performance. Follow instructions for lubricating and changing accessories.
- **Disconnect power tools before servicing** or before changing accessories such as blades, bits and cutters.
- **Reduce the risk of unintentional starting.** Make sure switch is in the OFF position before plugging in the tool.
- **Use only the manufacturer's recommended accessories.** Consult this operator's manual for recommended accessories. Using improper accessories may cause risk of injury.
- **Never stand on tool.** Serious injury could occur if the tool is tipped or if the cutter is unintentionally contacted.
- **Periodically check for worn or damaged parts.** Check for alignment of moving parts, binding of moving parts, breakage of parts, loose mounting brackets, and any other conditions that may affect operation. A guard or any other part that is damaged should be properly repaired or replaced. Before the tool is used again, make sure that the repaired or replaced part is operating properly and performing its intended function.
- **Direction of feed.** Feed work into a blade or cutter against the direction of rotation of the blade or cutter only.
- **Never leave tool running unattended. Turn the power off.** Do not leave tool until it comes to a complete stop.
- **Do not abuse cord. Never yank the cord to disconnect it from the receptacle.** Keep the cord from heat, oil, and sharp edges.
- **Keep cutters clean and sharp.** Sharp cutters minimize stalling. Dirty and dull cutters may cause misalignment of the material and possible operator injury.
- **Keep hands away from cutting area.** Keep hands away from the cutter. Do not reach underneath table or in the cutting path with your hands or fingers at any time while tool is connected to power source.
- **Firmly clamp or bolt your router table to a workbench** so the router table surface is at approximately hip height.

RULES FOR SAFE OPERATION

- **Keep tool dry, clean, and free from oil and grease.**
Always use a clean cloth when cleaning. Never use brake fluids, gasoline, petroleum-based products, or any solvents to clean tool.
- **Stay alert. Never operate a power tool when tired or while under the influence of drugs, alcohol or medication.**
- **Do not use tool if switch does not turn it on and off.**
Have defective switches replaced by an authorized service center.
- **Always turn switch off** before disconnecting it to avoid accidental starting.
- **All repairs, whether electrical or mechanical,** should be made at a Ryobi Authorized Service Center. Use only Ryobi identical replacement parts.
- **Save these instructions.** Refer to them frequently and use to instruct other users. If you loan someone this tool, loan them these instructions also.

WARNING:

Some dust created by power sanding, sawing, grinding, drilling, and other construction activities contains chemicals known to cause cancer, birth defects or other reproductive harm. Some examples of these chemicals are:

- lead from lead-based paints,
- crystalline silica from bricks and cement and other masonry products, and
- chromium from chemically-treated lumber.

Your risk from these exposures varies, depending on how often you do this type of work. To reduce your exposure to these chemicals, work in a well ventilated area, and work with approved safety equipment, such as those dust masks that are specially designed to filter out microscopic particles.

SPECIFIC SAFETY RULES FOR THE RT100 ROUTER TABLE

- For your own safety, read this RT100 Operator's Manual and the R161 Operator's Manual before operating the router or router table.
- Feed workpiece against rotation of cutter.
- Always use guard/dust cover.
- Do not use awkward hand positions.
- Keep fingers away from revolving cutter - use fixtures when necessary.
- When using the router on the router table, the router must be plugged into the on-board switch outlet.



Look for this symbol to point out important safety precautions. It means attention!!! Your safety is involved.

SAVE THESE INSTRUCTIONS

SYMBOLS

The purpose of safety symbols is to attract your attention to possible dangers. The safety symbols, and the explanations with them, deserve your careful attention and understanding. The safety warnings do not by themselves eliminate any danger. The instructions or warnings they give are not substitutes for proper accident prevention measures.

SYMBOL	MEANING
	SAFETY ALERT SYMBOL: Indicates danger, warning, or caution. May be used in conjunction with other symbols or pictographs.
	DANGER: Failure to obey a safety warning will result in serious injury to yourself or to others. Always follow the safety precautions to reduce the risk of fire, electric shock and personal injury.
	WARNING: Failure to obey a safety warning can result in serious injury to yourself or to others. Always follow the safety precautions to reduce the risk of fire, electric shock and personal injury.
	CAUTION: Failure to obey a safety warning may result in property damage or personal injury to yourself or to others. Always follow the safety precautions to reduce the risk of fire, electric shock and personal injury.
NOTE:	Advises you of information or instructions vital to the operation or maintenance of the equipment.



SAFETY ALERT SYMBOL: Indicates danger, warning, or caution. May be used in conjunction with other symbols or pictographs.



DANGER: Failure to obey a safety warning will result in serious injury to yourself or to others. Always follow the safety precautions to reduce the risk of fire, electric shock and personal injury.



WARNING: Failure to obey a safety warning can result in serious injury to yourself or to others. Always follow the safety precautions to reduce the risk of fire, electric shock and personal injury.



CAUTION: Failure to obey a safety warning may result in property damage or personal injury to yourself or to others. Always follow the safety precautions to reduce the risk of fire, electric shock and personal injury.

NOTE: Advises you of information or instructions vital to the operation or maintenance of the equipment.

EXTENSION CORD

When using a power tool at a considerable distance from a power source, be sure to use an extension cord that has the capacity to handle the current the tool will draw. An undersized cord will cause a drop in line voltage, resulting in overheating and loss of power. Use the chart to determine the minimum wire size required in an extension cord. Only round jacketed cords listed by Underwriter's Lab (UL) should be used.

Length of Extension Cord	Wire Size (A.W.G.)
Up to 50 feet	14

When working with a tool outdoors, use an extension cord that is designed for outside use. This is indicated by the letters "WA" on the cord's jacket.

Before using any extension cord, inspect it for loose or exposed wires and cut or worn insulation.



WARNING:

The double insulated system is intended to protect the user from shock resulting from a break in the tool's internal wiring. Observe all normal safety precautions related to avoiding electrical shock.

DOUBLE INSULATION

Your Ryobi power tool is double insulated. This means you are separated from the tool's electrical system by two complete sets of electrical insulation. This extra layer of insulation is intended to protect the user from electrical shock due to a break in the wiring insulation. All exposed metal parts are isolated from the internal metal motor components with protecting insulation. Double insulated tools do not need to be grounded.

SAFETY AND INTERNATIONAL SYMBOLS

This operator's manual describes safety and international symbols and pictographs that may appear on this product. Read the operator's manual for complete safety, assembly, operating and maintenance, and repair information.



MEANING

Do not expose to rain or use in wet locations

FEATURES

KNOW YOUR ROUTER TABLE

See Figure 1.

Before attempting to use your router table, familiarize yourself with all operating features and safety requirements.

⚠ WARNING:

If any parts are missing do not use your router table until the missing parts are replaced. Failure to do so could result in possible serious injury.

ON/OFF SWITCH KEY

Your router table is equipped with an on/off switch key. When router is plugged into switch outlet and switch key is removed, the switch key prevents the router from being turned on. The key must be in place to turn the switch on. If the key is removed during operation, the router can be turned off but may not be turned on again until the key is replaced. The switch outlet is located on the rear of the switch box assembly.

Note: As explained in your router operator's manual, the spindle lock on your router must be in unlocked position. Otherwise, the interlocking mechanism of the spindle lock will not let your router turn on. Also the lock-on button in the router switch must be engaged in order for the on/off switch key in your router table to activate your router.

FENCE ASSEMBLY

Provides an adjustable surface to support and guide work. The fence may be adjusted to compensate for the stock reduced in the cut.

GUARD/DUST COVER

Provides a barrier to protect the operator from careless contact with the cutter. The guard/dust cover is adjustable for all types of cuts and materials.

LOWER GUARDS

Ensures that your hand, loose clothing, and other objects do not come in contact with the cutter or collet during operation.

⚠ WARNING:

The lower guards must be securely in place before using the router table. Failure to do so could result in serious personal injury.

⚠ CAUTION:

Keep the cord away from the router table surface and position the cord so that it will not be caught on lumber, tools, or other objects during routing.

⚠ WARNING:

Do not allow familiarity with your router or router table to make you careless. Remember that a careless fraction of a second is sufficient to inflict severe injury.

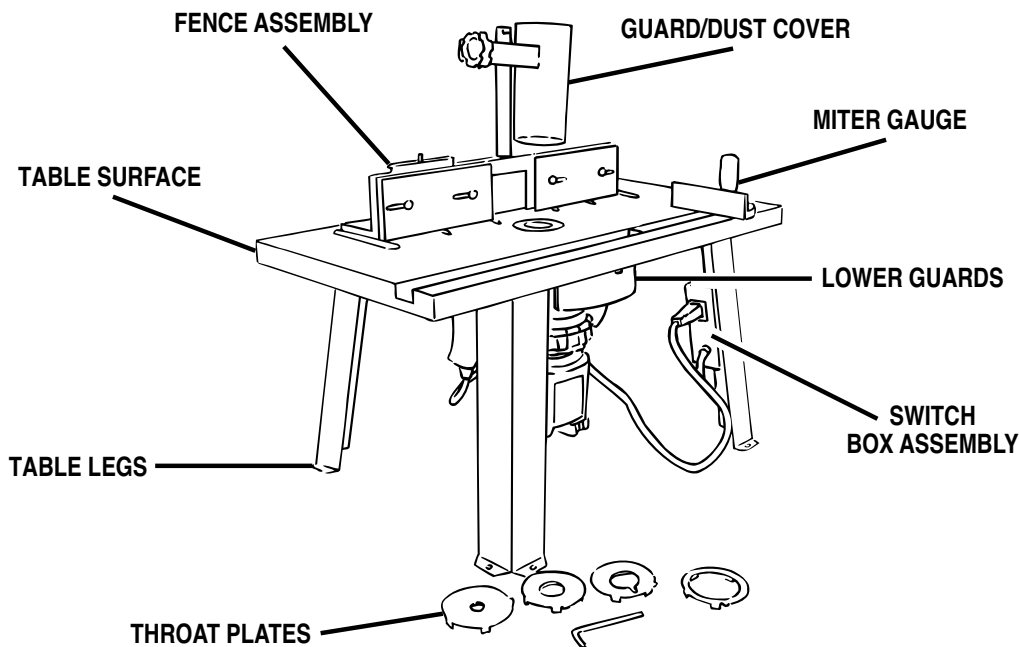


Fig. 1

UNPACKING

Before assembling your router table check to see that all parts listed are included. See Figure 2. Inspect it carefully to make sure no breakage or damage has occurred during shipping. If any parts are damaged or missing, call 1-800-525-2579 for your nearest **RYOBI AUTHORIZED SERVICE CENTER** to obtain replacement parts before attempting to assemble or use your router table.

WARNING:

If any parts are damaged or missing, do not use your router table until the parts are replaced. Failure to do so could result in possible serious personal injury.

WARNING:

To prevent accidental starting or electrical shock that could cause possible serious personal injury, assemble all parts to your router table before connecting it to power supply. Neither the router nor the table should be connected to power supply when you are assembling parts, making adjustments, installing or removing cutters, cleaning, or when not in use.

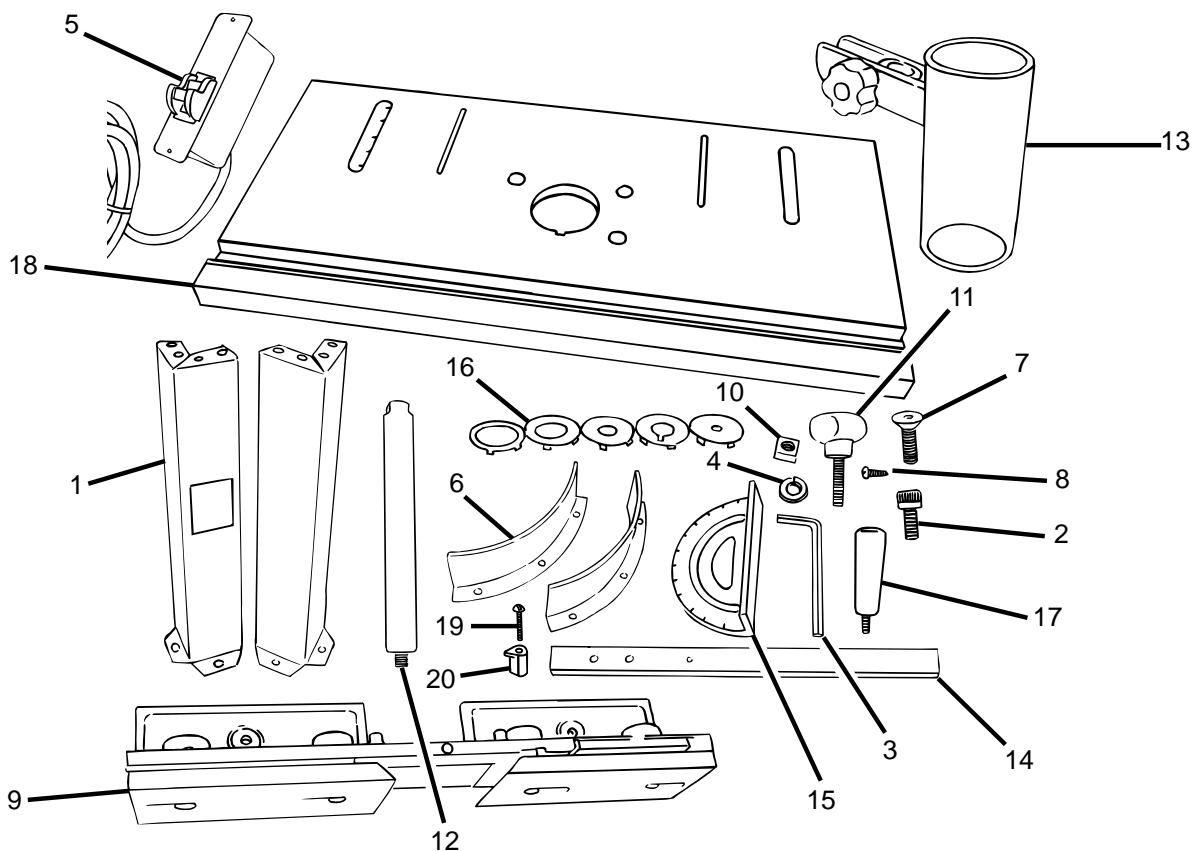


Fig. 2

- | | | |
|--|-----------------------------------|---|
| 1. Table leg (4) | 9. Fence assembly (1) | 18. Router table surface (1) |
| 2. 1/4-20 x 1/2 in. socket head cap screw (22) | 10. 1/4-20 square nut (2) | 19. #6-32 x 5/8 in. pan head phillips machine screw (1) |
| 3. 3/16 in. hex key (1) | 11. Fence lock knob (2) | 20. Miter gauge pointer (1) |
| 4. Lock washer (16) | 12. Guard post (1) | 21. Operator's manual (not shown) (1) |
| 5. Switch box assembly (1) | 13. Guard/dust cover assembly (1) | 22. Warranty registration card (not shown) (1) |
| 6. Lower guard (2) | 14. Miter gauge bar (1) | |
| 7. 5/16-18 x 1 in. phillips head machine screw (3) | 15. Miter gauge (1) | |
| 8. #6 thread cutting screw (2) | 16. Throat plate (5) | |
| | 17. Miter gauge knob (1) | |

ASSEMBLY



WARNING:

Your router or router table should never be connected to power supply when you are assembling parts, making adjustments, installing or removing cutters, cleaning, or when not in use. Disconnecting your router and router table will prevent accidental starting that could cause serious personal injury.

LEG ASSEMBLY

- Place router table upside down on a flat, level surface, so that the front edge is closest to you. Position legs as shown in Figure 3. With the router table upside down, the leg with the rectangular cutout should be in the front left corner of the table.
- Align the four holes in each leg with the four corresponding threaded holes in each corner of the table. Use the hex wrench provided to secure each leg with four 1/4-20 x 1/2 in. socket head screws and four lock washers.

LOWER GUARD ASSEMBLY

- Locate the two gray lower guards. Position them around the throat of the table so that the three holes of each guard line up with the three threaded holes in the table. Use the hex wrench provided to secure each lower guard with three 1/4-20 x 1/2 in. socket head screws. See Figure 4.

SWITCH BOX ASSEMBLY

- Hold the switch box so that the words **ON** and **OFF** on the toggle switch are upside down. Carefully insert switch box through the cutout in the left front leg as shown in Figure 5.
- Align the two small holes in the mounting tabs with the two small holes in the leg. Using a #2 Phillips screwdriver, securely tighten each #6 thread cutting screw.

ATTACH ROUTER TO TABLE

- Carefully turn table right side up and check to make sure it rests on all four legs and does not rock. Locate the three large holes surrounding the throat of the table and the three 5/16-18 x 1 in. phillips head machine screws.
- Remove the subbase screws and subbase from your router.
- Hold the router upside down so that the Ryobi label is facing the front of the table. Align the holes in the table with the holes in the router. Holding the router with one hand, use the other hand to securely tighten each of the three screws with a phillips screwdriver. See Figure 6.

FENCE ASSEMBLY

- Turn the fence assembly over and locate the four small circular tabs. Position the fence on the router table so that the two tabs on the left engage the left channel of the table and the two tabs on the right engage the right channel.

- Locate the two square nuts and two fence lock knobs. Position a square nut inside the channel located underneath the table. Insert the lock knob through the hole in the fence assembly and screw it into the square nut below. See Figures 7a and 7b. Repeat for the other side.

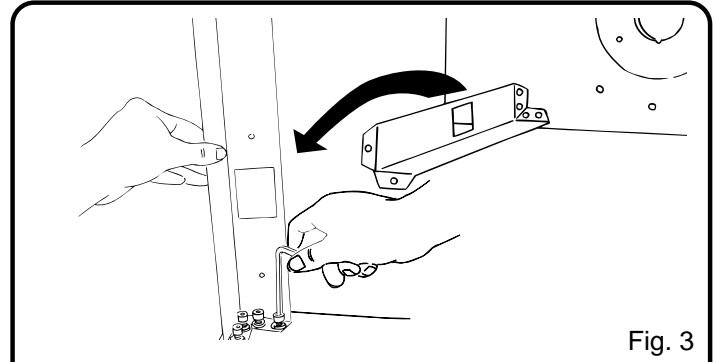


Fig. 3

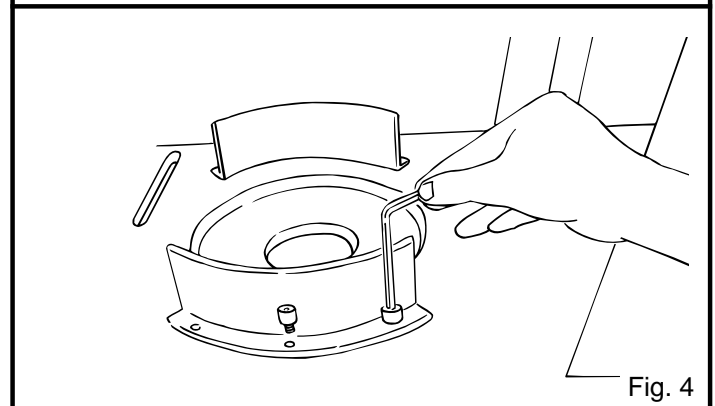


Fig. 4

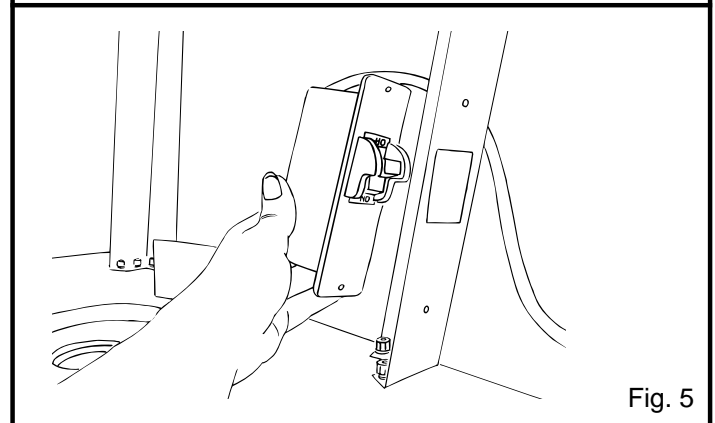


Fig. 5

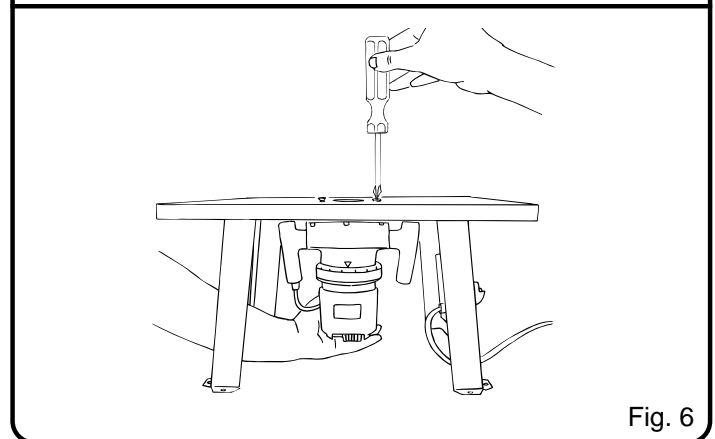


Fig. 6

ASSEMBLY

GUARD/DUST COVER ASSEMBLY

- Securely screw guard post into threaded hole located on the fence assembly. Loosen knob on clear plastic guard/dust cover and slide guard/dust cover down over guard post. See Figures 8a and 8b. Make sure guard/dust cover is centered over the throat of the router table and retighten knob.
- If desired, insert a standard 2-1/4 in. vacuum hose in the top of guard/dust cover.

MITER GAUGE ASSEMBLY

- Assemble miter gauge and miter gauge bar as shown in Figure 9.
- Position the pointer so that it is perpendicular to the scale on the miter gauge. Locate the #6-32 x 5/8 in. pan head screw and feed it through the hole in the pointer and into the threaded hole in the miter gauge. Tighten using a phillips head screwdriver.
- Slide entire miter gauge assembly into miter gauge track.

WARNING:

Do not wear loose clothing or jewelry when operating table-mounted router. They could get caught in moving parts causing serious injury. Keep head away from router and routing area. Hair could be drawn into spinning cutter causing serious injury.

MOUNTING TO A STABLE WORK SURFACE

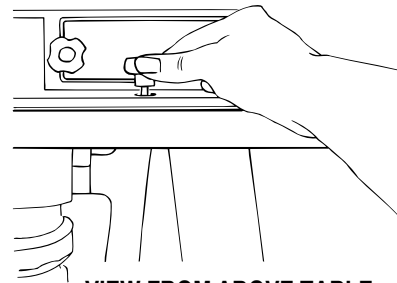
- Using the predrilled holes in the legs, mount the four legs of your router table securely on a sturdy surface such as a work stand, workbench or counter top. If your router table is to be used in a portable application, it is recommended that you fasten it permanently to a mounting board that can be easily clamped to a workbench. Position the router table surface at approximately hip height.

WARNING:

All four legs must be securely bolted to a stable work surface. Failure to heed this warning could result in serious personal injury.

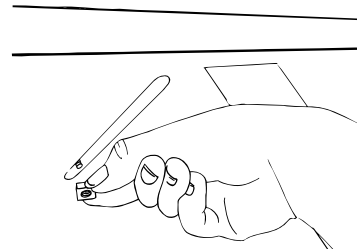
WARNING:

Check extension cords before each use. If damaged, replace immediately. Never use tool with a damaged cord since touching the damaged area could cause electrical shock, resulting in serious injury.



VIEW FROM ABOVE TABLE

Fig. 7a



VIEW FROM BELOW TABLE

Fig. 7b

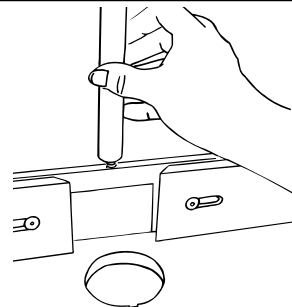


Fig. 8a

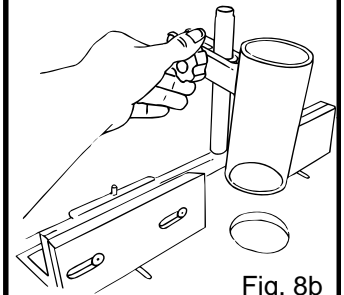


Fig. 8b

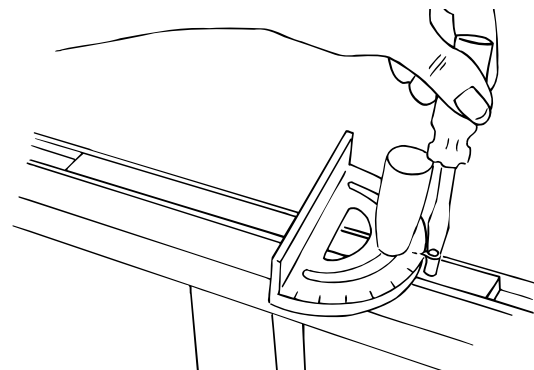


Fig. 9

OPERATION

⚠ WARNING:

Your router or router table should never be connected to a power supply when you are assembling parts, making adjustments, installing or removing cutters, or when not in use. Disconnecting your router and router table will prevent accidental starting that could cause serious injury.

INSTALL/REMOVE CUTTER

- Unplug your router and router table.

⚠ WARNING:

Failure to unplug your router and router table could result in accidental starting causing serious injury.

⚠ WARNING:

To prevent damage to the spindle or spindle lock, always allow motor to come to a complete stop before engaging spindle lock.

- Remove two of the hex cap screws securing the rear lower guard to the table. Rotate guard out of the way, exposing the spindle.
- Follow the instructions on Installing/Removing Cutters found on Page 8 in the Operator's Manual for the R161 Router.

⚠ WARNING:

This router table is to be used only with the Ryobi R161 Router. Do not attempt to use any other router with this table. Failure to heed this warning could result in improper operation of the tool and serious personal injury.

- Return the lower guard to its proper position and secure by inserting and tightening the two hex screws previously removed.

⚠ WARNING:

If you are changing a cutter immediately after use, be careful not to touch the cutter or collet with your hands or fingers. They will get burned because of the heat buildup from cutting. Always use the wrench provided.

⚠ WARNING:

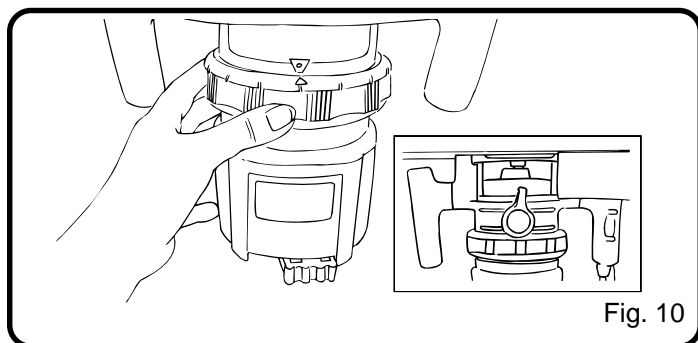
Always wear safety goggles or safety glasses with side shields marked to comply with ANSI Z87.1 during power tool operation or when blowing dust. If operation is dusty, also wear a dust mask.

⚠ WARNING:

Never operate the router table unless both lower guards are securely in place. Failure to do so could allow loose clothing, cords and hands to come in contact with the spindle while in operation and could result in serious personal injury.

SET CUTTING DEPTH

- Set the cutter at zero depth of cut (flush with top or router table surface). Rotate depth indicator ring to desired depth of cut on the scale, then turn depth adjustment ring back to zero depth of cut. See Figure 10.



- Securely lock clamping lever. See R161 Operator's Manual page 9.

SELECT AND INSERT THROAT PLATE

- Your Ryobi RT100 router table is shipped with an assortment of five circular throat plates. The throat plate provides a stable surface around the cutter and prevents objects from falling through the throat and damaging the spindle.
- The selection of the proper size throat plate depends on the size and shape of the cutter you are using. When inserted, the throat plate opening should be within approximately 1/4 in. of the outer most edge of the cutter.
- To insert the throat plate, position the throat plate over the throat opening in the router table and snap throat plate down and into place as shown in Figure 11. To remove throat plate, pull gently until the throat plate snaps out.

Note: If using a cutter larger than 1-7/8 in. but less than 2-3/8 in. in diameter you may operate the router table without a throat plate. This is the only situation in which the router table should be used without the throat plate.

⚠ WARNING:

Never attempt to operate router table without the throat plate in place. Failure to do so could result in the work-piece jamming or objects falling into rotating spindle which could cause serious personal injury.

OPERATION

POSITION THE FENCE OR MITER GAUGE

For any router operation, you will use either the fence or the miter gauge to help guide your work through the cutter.

■ **To position the fence:** Loosen the fence lock knobs by turning them counterclockwise. Loosen the fence lock knobs just enough so that the fence moves freely. Position the fence the proper distance from the cutter based on the amount of material you plan to remove. Tighten the fence lock knobs.

■ **To position the miter gauge:** Loosen the miter gauge knob, rotate the miter gauge to the desired angle and retighten the knob.

ADJUST THE STEP RISERS

■ The step risers, located on the outfeed side of the fence, enable you to support your workpiece as it exits the cutter. The step risers will provide support for routing operations that remove up to 1/8 in. of material. The step risers are adjustable in 1/32 in. increments.

■ To adjust the step risers loosen the two knob bolts on the rear of the fence and push the riser forward and toward the throat. *See Figure 12.*

■ Retighten knob bolts.

PERFORMING A ROUTING OPERATION

■ For the proper use of your Ryobi R161 router on your RT100 router table, carefully read the entire Operator's Manual included with your Ryobi R161 router.

⚠ WARNING:

Direction of feed for workpiece is always against the sharp edges of the cutter. Failure to feed workpiece against sharp edges of cutter can result in serious personal injury.

PREPARING FOR OPERATION

■ Adjust the guard/dust cover so that it will not come in contact with the workpiece or cutter during a cutting operation.

■ Direction of feed of the workpiece is from right to left or with the cutter located in the fence opening. *See Figure 13.*

■ Direction of feed must always be so that the workpiece is being fed against the sharp edges of the rotating cutter.

■ The workpiece must always be tight against the fence assembly, unless a ball-bearing piloted cutter is being used. The infeed fence should be adjusted to support the uncut workpiece while the outfeed fence should be adjusted properly to support the workpiece after the cut passes the router cutter, compensating for the removed stock.

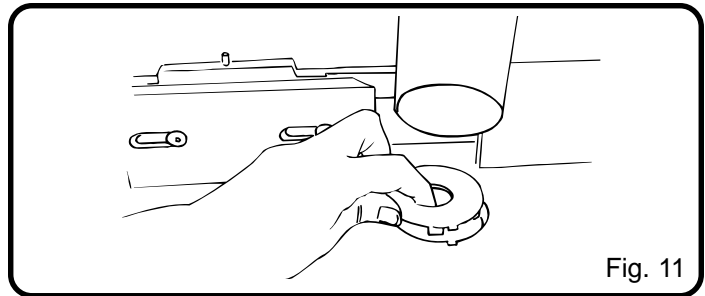


Fig. 11

⚠ WARNING:

Do not use cutters with undersized shanks. Undersized shanks will not tighten properly and could be thrown from the tool, causing injury.

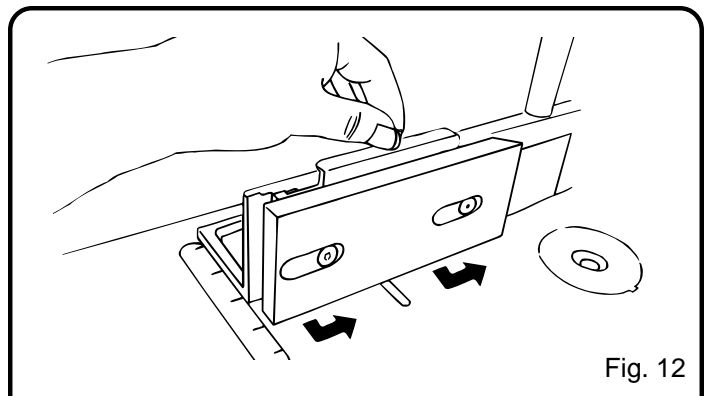
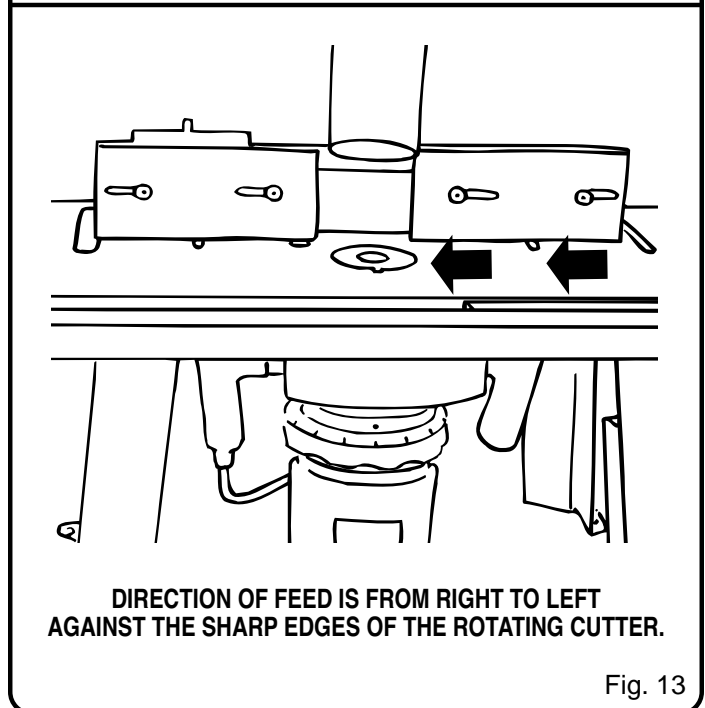


Fig. 12



**DIRECTION OF FEED IS FROM RIGHT TO LEFT
AGAINST THE SHARP EDGES OF THE ROTATING CUTTER.**

Fig. 13

MAINTENANCE



WARNING:

When servicing, use only identical Ryobi replacement parts. Use of any other parts may create a hazard or cause product damage.



WARNING:

Always begin any maintenance procedure by disconnecting the router and router table from the power supply to avoid risk of serious personal injury



WARNING:

Do not at any time let brake fluids, gasoline, petroleum-based products, penetrating oils, etc. come in contact with plastic parts. They contain chemicals that can damage, weaken, or destroy plastic.

GENERAL MAINTENANCE

- Avoid using solvents when cleaning plastic parts. Most plastics are susceptible to damage from various types of commercial solvents and may be damaged by their use. Use clean cloths to remove dirt, carbon dust, etc.
- Periodically check all clamps, nuts, bolts and screws for tightness and condition. Make sure that the throat plate, guard/dust cover assembly and lower guards are properly positioned and securely attached.

IMPORTANT

Servicing of a tool with double insulation requires extreme care and knowledge of the system and should be performed only by a qualified service technician. For service we suggest you return the tool to your nearest **RYOBI AUTHORIZED SERVICE CENTER** for repair. When servicing use only identical Ryobi replacement parts.

To reduce the risk of electric shock, this equipment has a polarized plug (one blade is wider than the other). This plug will fit in a polarized outlet only one way. If the plug does not fit fully in the outlet, reverse the plug. If it still does not fit, contact a qualified electrician to install the proper outlet. Do not change the plug in any way.



OPERATOR'S MANUAL

Model RT100 Router Table

Double Insulated

(For use only with the Ryobi R161 router)

EXTENSION CORD CAUTION

Make sure your extension cord is in good condition. When using a power tool at a considerable distance from a power source, be sure to use an extension cord that has the capacity to handle the current the tool will draw. An undersized cord will cause a drop in line voltage, resulting in overheating and loss of power. Use the chart to determine the minimum wire size required in an extension cord. Only round jacketed cords should be used.

When working with a tool outdoors, use an extension cord that is designed for outside use. This is indicated by the letters "WA" on the cord's jacket.

Before using any extension cord, inspect it for loose or exposed wires and cut or worn insulation.

**Ampere rating

(on tool data plate) 0-2.0 2.1-3.4 3.5-5.0 5.1-7.0 7.1-12.0 12.1-16.0

Cord Length	Wire Size (A.W.G.)					
25'	16	16	16	16	14	14
50'	16	16	16	14	14	12
100'	16	16	14	12	10	—

CAUTION:

Keep the extension cord clear of the working area. Position the cord so that it will not get caught on workpiece, tools, or other obstructions while you are working with a power tool.

***Used on 12 gauge - 20 amp circuit.*

• SERVICE

Now that you have purchased your tool, should a need ever exist for repair parts or service, simply contact your nearest Ryobi Authorized Service Center. Be sure to provide all pertinent facts when you call or visit. Please call 1-800-525-2579 for your nearest Ryobi Authorized Service Center. You can also check our web site at www.ryobitools.com for a complete list of Authorized Service Centers.

• MODEL NO. AND SERIAL NO.

The model number and serial number of this tool will be found on a plate attached to the motor housing.

Please record the serial number in the space provided below.

- MODEL NUMBER RT100
- SERIAL NUMBER _____

Ryobi Technologies Inc.

1428 Pearman Dairy Road Anderson, SC 29625

Post Office Box 1207 Anderson, SC 29622-1207

Phone 1-800-525-2579

www.ryobitools.com

Free Manuals Download Website

<http://myh66.com>

<http://usermanuals.us>

<http://www.somanuals.com>

<http://www.4manuals.cc>

<http://www.manual-lib.com>

<http://www.404manual.com>

<http://www.luxmanual.com>

<http://aubethermostatmanual.com>

Golf course search by state

<http://golfingnear.com>

Email search by domain

<http://emailbydomain.com>

Auto manuals search

<http://auto.somanuals.com>

TV manuals search

<http://tv.somanuals.com>