



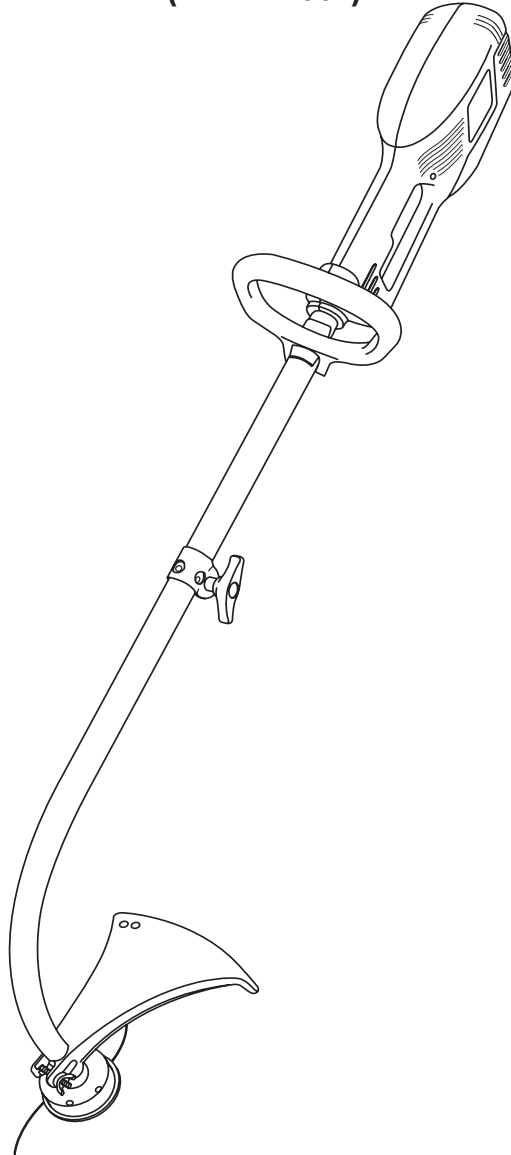
OPERATOR'S MANUAL

15 in. (381 mm)

String Trimmer

ZRRY41002 Series

EL15
(ZRRY41002)



Your new trimmer has been engineered and manufactured to Ryobi's high standard for dependability, ease of operation and operator safety. Properly cared for, it will give you years of rugged, trouble-free performance.

⚠ WARNING: To reduce the risk of injury, the user must read and understand the operator's manual.

Thank you for buying a Ryobi trimmer.

SAVE THIS MANUAL FOR FUTURE REFERENCE

TABLE OF CONTENTS

■ Introduction	2
■ General Safety Rules	3
■ Specific Safety Rules	3-4
■ Symbols	5-6
■ Specifications	7
■ Unpacking	7
■ Features	8
■ Assembly	9-10
■ Operation	11-13
■ Maintenance	14-15
■ Troubleshooting	16
■ Accessories	17
■ Warranty	18
■ Customer Service Information	20

INTRODUCTION

Your trimmer has many features that make using this product more pleasant and enjoyable. We have given safety, performance, and dependability top priority in the design of this product, making it easy to maintain and operate.

GENERAL SAFETY RULES

WARNING:

When using electric gardening appliances, basic safety precautions should always be followed to reduce the risk of fire, electric shock, and personal injury, including the following:

READ ALL INSTRUCTIONS

GENERAL SAFETY RULES

- Clear the work area before each use. Remove all objects, such as rocks, broken glass, nails, wire, or string that can be thrown or become entangled in the cutting line.
- Wear heavy, long pants, boots, and gloves. Do not wear loose fitting clothing, short pants, or go barefoot. Do not wear jewelry of any kind.
- Secure hair above shoulder level to prevent entanglement in moving parts.
- Do not allow children or untrained individuals to use this product.
- Keep all bystanders, children, and pets at least 50 ft. (15 m) away.
- Do not operate this product when you are tired, ill, or under the influence of alcohol, drugs, or medication.
- Do not operate in poor lighting.
- Keep firm footing and balance. Do not overreach. Overreaching can result in loss of balance or exposure to hot surfaces.
- Keep all parts of your body away from moving parts.
- Inspect the product before use. Replace any damaged parts before use.
- Do not operate the product in damp or wet locations.
- Do not use the product in the rain.
- Wear safety glasses or goggles that are marked to comply with ANSI Z87.1 standard when operating this product.

- Use the right product. Use the product for the intended purpose only.
- Do not handle the product with wet hands.
- Do not use the product if the switch does not turn the product on or off. A product that cannot be controlled with the switch is dangerous and must be repaired.
- Avoid accidental starting; never carry the product with your finger on the trigger.
- Stay alert and pay attention to what you are doing. Use common sense when using this product.
- Do not force the product. It will do a better job with less likelihood of a risk of injury when you operate it at the rate for which it was designed.
- Use the product for cutting grass and light weeds only. Do not use for any other purpose.
- Before starting the product, position it so that the line does not come in contact with anything you do not intend to cut.
- Keep the grass deflector in place at all times while operating the product. The product may overheat without the grass deflector in place.
- Stop the product immediately, unplug it, and check for damage if you strike or become entangled with foreign objects. Do not operate the product before having any damage repaired.
- Keep hands away from the cutting line. Do not attempt to remove cut material or to hold material to be cut when the line is moving. Be sure to unplug the product and release the trigger when clearing jammed material from the line. Do not grasp the line when picking up or holding the product.
- Be cautious after turning off the product. The line coasts after turning off the product.
- Disconnect the product from the power supply when it is not in use, before servicing, and when changing accessories.

SPECIFIC SAFETY RULES

SPECIFIC TRIMMER SAFETY RULES

- Replace the trimmer head if cracked, chipped, or damaged in any way. Be sure the trimmer head is properly installed and securely fastened.
- Make sure all guards, straps, deflectors, and handles are properly and securely attached.
- Use only the manufacturer's replacement line in the trimmer head.
- Never operate the product without the grass deflector in place and in good condition.
- Maintain a firm grip on both handles while trimming. Keep the trimmer head below waist level. Never cut with the trimmer head over 30 in. (76 cm) or more above the ground.

SPECIFIC SAFETY RULES

ELECTRICAL SAFETY RULES

- Make sure the cord is located so that it will not be stepped on, tripped over, or otherwise subjected to damage or stress.
- Do not abuse the power cord. Never carry the product by the cord. Never yank the plug out of the receptacle. Keep the cord away from heat, oil, and sharp edges.
- To reduce the risk of electrical shock, use only round-jacketed extension cords approved for outdoor use, such as cords of type SW-A, SOW-A, STW-A, STOW-A, SJOW-A, SJTW-W, or SJTOW-A. Since this tool is double insulated, you may use a 2-wire extension cord (an extension cord without a ground). However, you may also use a 3-wire extension cord (an extension cord with a ground) that has a NEMA-type connector (parallel blade, U ground). Extension cords are available from your local retailer.
- Be sure to use a cord that is heavy enough to carry the current that your product will draw. The correct cord size depends on cord length and amperage rating (see figures below). An undersized cord set will cause a drop in line voltage resulting in loss of power and overheating. Use of an improper extension cord could result in a risk of fire and electric shock. If an extension cord must be used, make sure:
 - a. That pins on plug of extension cord are the same number, size and shape as those on the plug on the charger.
 - b. That the extension cord is properly wired and in good electrical condition; and
 - c. That the wire size is large enough for the AC ampere rating of the product as specified below:

Cord Length (Feet)	25'	50'	100'
Cord Size (AWG)	16	14	12
- Note: AWG = American Wire Gage
- To reduce the risk of electrical shock, this product has a polarized plug (one blade is wider than the other) and requires the use of a polarized extension cord. This product's plug fits into a polarized extension cord in only one way. If the plug does not fit fully into the extension cord, reverse the plug. If the plug still does not fit, obtain a correct polarized extension cord. Use of a polarized extension cord requires use of a polarized wall outlet. This product's plug fits into a polarized wall outlet in only one way. If the plug does not fit fully into the wall outlet, reverse the plug. If the plug still does not fit, contact a qualified electrician to install the proper wall outlet. Do not change the product plug, the extension cord receptacle, or the extension cord plug in any way.
- Ground Fault Circuit Interrupter (GFCI) protection should be provided on the circuit(s) or outlet(s) used for this product. Receptacles with built-in GFCI protection are available and may be used.

- Inspect extension cords for deterioration, cuts, or cracks in the insulation. Repair or replace the cords if any defects appear.
- A nameplate on the product indicates the unit's voltage. Never connect the product to an AC voltage that differs from this voltage.

MAINTENANCE RULES

- Maintain the product with care. Follow instructions for changing accessories. Keep the product dry, clean, and free from oil and grease.
- Release the trigger, allow the motor to stop, and unplug the product before making adjustments or repairs.
- Do not use the product if parts have been damaged. Check the product to make sure that it will operate properly and perform the intended function. Check for alignment of moving parts, binding of moving parts, breakage of parts, and any other condition that may affect the unit's operation. Inspect the unit's power connection. Any part that is damaged should be properly repaired or replaced by a Homelite authorized service center.
- Keep the product clean of grass clippings and other materials that may become lodged in the cutting lines.
- Never douse or squirt the product with water or any other liquid. Keep handles dry, clean and free from debris. After each use, clean with a soft, dry cloth.

SERVICE RULES









- Service on this product must be performed by qualified repair personnel only. Service or maintenance performed by unqualified personnel could result in injury to the user or damage to the product. Such service may also void your warranty.
- Use only identical replacement parts when servicing the product. Follow the instructions in the Maintenance section of this manual. Use of unauthorized parts or failure to follow maintenance instructions may create a risk of shock, serious injury to the user, or damage to the product. Such use may also void your warranty.

STORAGE AND TRANSPORTATION RULES

- Stop the motor when you are waiting to cut or when you are walking from one cutting location to another.
- Store the product inside in a dry place. Store the product up high or lock it up to prevent unauthorized use or damage. Keep the product out of the reach of children.
- Secure the product when transporting it.
- Save these instructions. Refer to them frequently and use them to instruct others who may use this product. If you loan someone this product, loan these instructions also.




SYMBOLS

Some of the following symbols may be used on your tool. Please study them and learn their meaning. Proper interpretation of these symbols will allow you to operate the tool more safely and effectively.

SYMBOL	NAME	EXPLANATION
	Safety Alert	Precautions that involve your safety.
	Ricochet	Thrown objects can cause severe injury. Wear protective clothing and boots.
	Eye Protection	Always wear safety goggles or safety glasses with side shields and a full face shield when operating this product.
	Keep Bystanders Away	Keep all bystanders at least 50 ft. (15 m) away.
	No Blade	Do not install any type of blade on this product.
	Class II Construction	Double-insulated construction.
	Wet Conditions Alert	Do not expose to rain or use in damp locations.
	Read Operator's Manual	To reduce the risk of injury, user must read and understand operator's manual before using this product.

SYMBOLS

The following signal words and meanings are intended to explain the levels of risk associated with this product.

SYMBOL	SIGNAL	MEANING
	DANGER:	Indicates an imminently hazardous situation, which, if not avoided, will result in death or serious injury.
	WARNING:	Indicates a potentially hazardous situation, which, if not avoided, could result in serious injury.
	CAUTION:	Indicates a potentially hazardous situation, which, if not avoided, may result in minor or moderate injury.
	CAUTION:	(Without Safety Alert Symbol) Indicates a situation that may result in property damage.

SERVICE

Servicing requires extreme care and knowledge and should be performed only by a qualified service technician. For service we suggest you return the product to your nearest **AUTHORIZED SERVICE CENTER** for repair. When servicing, use only identical replacement parts.

WARNING:

Observe all normal safety precautions related to avoiding electrical shock.

WARNING:

To avoid serious personal injury, do not attempt to use this product until you read thoroughly and understand completely the operator's manual. Save this operator's manual and review frequently for continuing safe operation and instructing others who may use this product.

WARNING:



The operation of any power tool can result in foreign objects being thrown into your eyes, which can result in severe eye damage. Before beginning power tool operation, always wear safety goggles or safety glasses with side shields and a full face shield when needed. We recommend Wide Vision Safety Mask for use over eyeglasses or standard safety glasses with side shields. Always use eye protection which is marked to comply with ANSI Z87.1.

SAVE THESE INSTRUCTIONS

SPECIFICATIONS

MOTOR

Motor Type 120 V AC
Operating RPM..... 7500
Amperes 6 amps

DRIVE SHAFT AND CUTTING HEAD

Drive Shaft..... 1/4 in. Flex Shaft
Cutting Head Bump Line Release
Cutting Path Diameter 15 in. (381 mm)
Drive Shaft Housing Aluminum Tube
Cutting Line Diameter080 in. (2 mm)

UNPACKING

INSTRUCTIONS

- Carefully remove the parts from the box.
- Inspect the parts carefully to make sure no breakage or damage occurred during shipping.
- Do not discard the packing material until you have carefully inspected and satisfactorily operated the product.
- If any parts are damaged or missing, please call 1-800-860-4050 for assistance.



WARNING:

If any parts are missing, replace them before operating the product. Failure to do so could result in serious personal injury.

PACKING LIST

Upper shaft (Power head) (1)
Attachment shaft (Cutting head) (1)
Front Handle (1)
Carriage bolt - 6 mm x 50.0 mm (1)
Flat washer - 6 mm (1)
Wing nut - 6 mm (1)
Grass deflector (1)
Wing nut - 1/4 in. (1)
Flat washer - 1/4 in. (1)
Lock washer - 1/4 in. (1)
Hex bolt - 1/4 in. x 2 in. (1)
Operator's manual

FEATURES

TOP-MOUNTED MOTOR

The top-mounted motor improves balance and is located away from the dust and debris of the cutting area.

CORD RETAINER

The cord retainer helps prevent accidental unplugging of the extension cord.

DUAL LINE

The dual line permits more efficient and aggressive cutting.

EZ LINE™ TAP ADVANCE SYSTEM

The EZ Line™ Tap Advance System allows easy line advance during trimmer operation.

GRASS DEFLECTOR

The trimmer includes a grass deflector that helps protect you from flying debris.

ERGONOMIC DESIGN

The design of the trimmer provides for easy handling. It is designed for comfort and ease of grasp when operating in different positions and at different angles.

⚠ WARNING:

Do not attempt to modify this product or create accessories not recommended for use with this product. Any such alteration or modification is misuse and could result in a hazardous condition leading to serious personal injury.

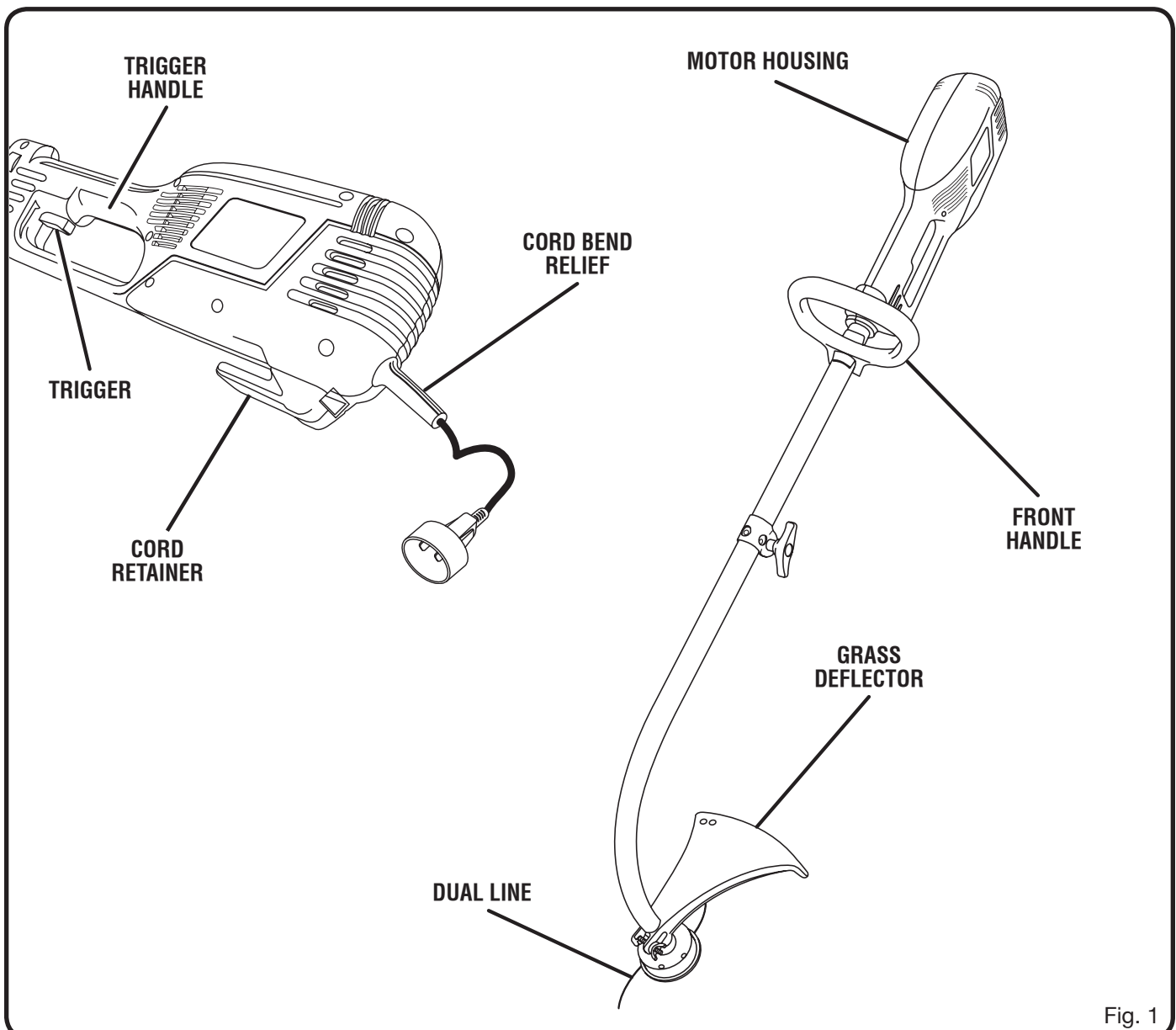


Fig. 1

ASSEMBLY

CONNECTING THE ATTACHMENT TO THE UPPER SHAFT

See Figure 2.

The coupler connects the attachment to the upper shaft. Follow these steps to connect the attachment to the upper shaft.

- Loosen the knob by turning it counterclockwise.
- Remove the end cap from the attachment shaft.
- Align the button with the guide recess on the upper shaft.
- Slide the attachment shaft into the upper shaft until the attachment shaft clicks into place.

NOTE: If the button does not release completely in the positioning hole, the shafts are not locked. Slightly rotate the attachment shaft until the button is locked into place.

- Tighten the locking knob securely by turning it clockwise.

NOTE: During operation, periodically check the knob and tighten as necessary.

REMOVING THE ATTACHMENT FROM THE UPPER SHAFT

See Figure 2.

Disconnect the upper shaft and attachment shaft for storage or when a job calls for a different attachment.

Follow these steps to remove the attachment from the upper shaft.

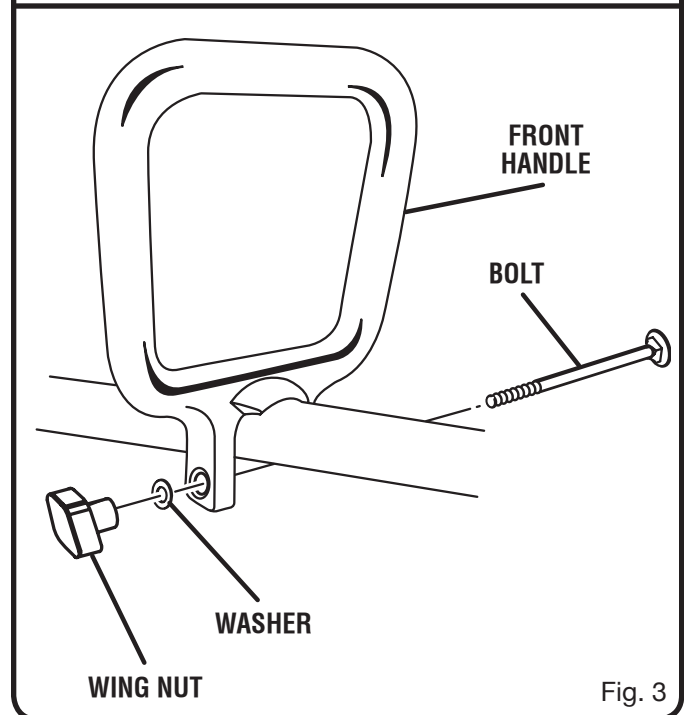
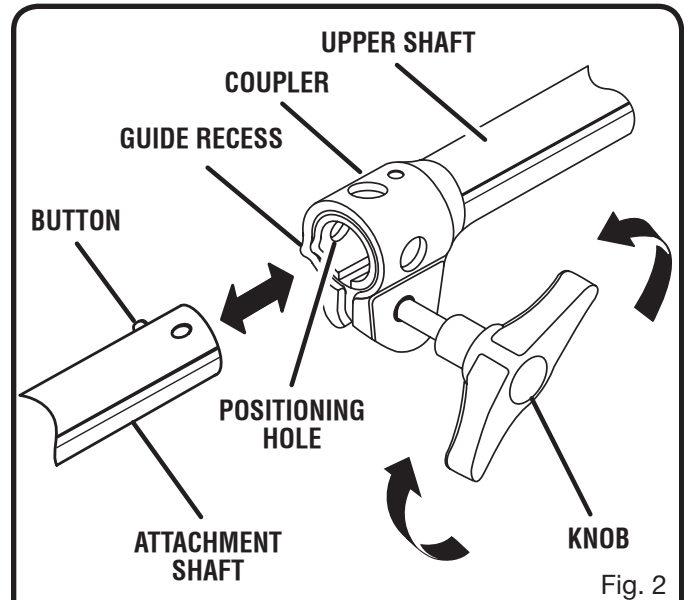
- Release the trigger and allow the trimmer to coast to a stop.
- Unplug the trimmer.
- Loosen the locking knob by turning it counterclockwise.
- Push the button, while pulling out the attachment.

ATTACHING THE FRONT HANDLE

See Figure 3.

Follow these steps to attach the front handle.

- Press the front handle onto the upper shaft so that the handle is angled toward the trigger handle.
- Place the front handle along the upper shaft to a position that allows for comfortable operation.
- Slide the bolt through the holes in the front handle.
- Slide the washer onto the bolt.
- Place the wing nut onto the bolt and tighten the wing nut securely.



ASSEMBLY

ATTACHING THE GRASS DEFLECTOR

See Figure 4.



WARNING:

The line cutting blade on the grass deflector is sharp. Avoid contact with the blade. Failure to avoid contact can result in serious personal injury.

Follow these steps to attach the grass deflector.

- Slide the grass deflector onto the attachment shaft and fit it over the bracket.
- Install the bolt through the holes in the tabs on the grass deflector and the slots in the bracket on the attachment shaft.
- Install the flat washer, the lock washer, and the wing nut.
- Tighten the wing nut securely.
- Remove the protective packaging from the line cutting blade.

EXTENSION CORD RETAINER

- An extension cord retainer is located on the bottom of the trimmer. This provides strain relief for the cord, preventing unwanted disconnects.

Note: To reduce the disconnection of the power cord from the extension cord during operation, use the extension cord retainer described below.

METHOD OF SECURING EXTENSIONCORD

- Use the extension cord retainer when you connect the extension cord to the power cord to prevent disconnection. Use only an outdoor approved extension cord as indicated by the letters "W-A" on the cord's jacket.
- Loop the extension cord through the extension cord retainer slot located on the bottom end of the trimmer. See Figure 5.
- Pull loop of extension cord around tongue and pull tight. See Figure 6.
- Attach extension cord to plug on trimmer. See Figure 6.

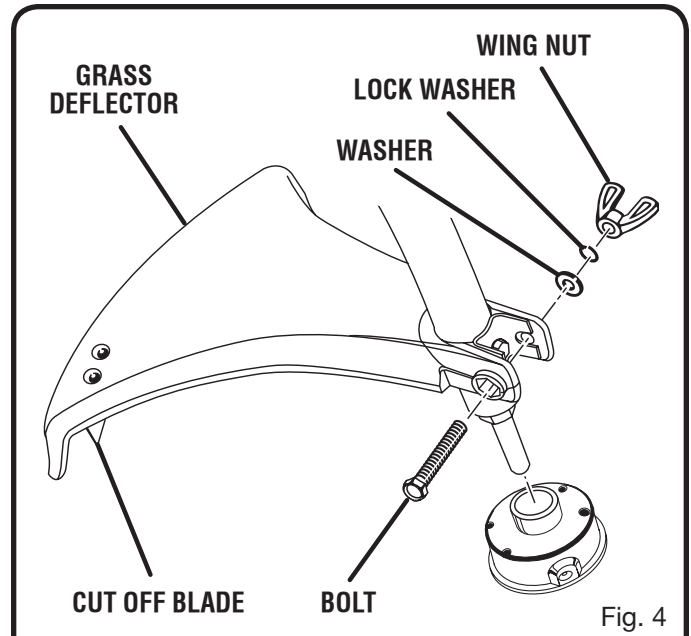


Fig. 4

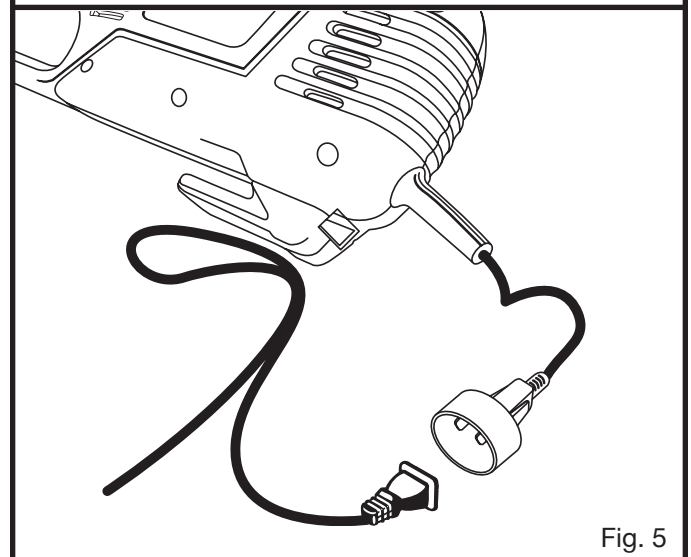


Fig. 5

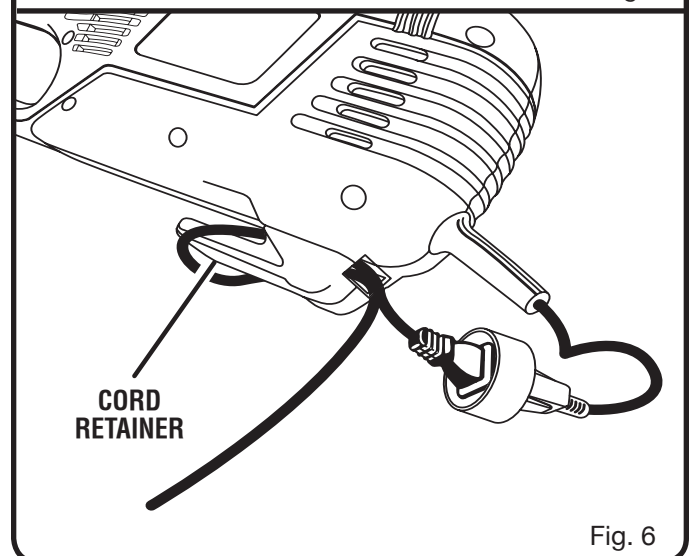


Fig. 6

OPERATION

⚠ WARNING:

The product may throw objects during operation, causing injury to the operator or to bystanders. Always wear suitable eye protection, boots, gloves, and long, heavy pants while operating the product.

STARTING AND STOPPING THE TRIMMER

See Figure 7.

- To start the trimmer: Press the trigger.
- To stop the trimmer: Release the trigger.

OPERATING THE TRIMMER

See Figure 8.

Follow these steps to operate the trimmer.

- Plug the trimmer cord into an extension cord approved for outdoor use. Refer to “Electrical Safety Rules ” earlier in this manual.
- Hold the trimmer with your right hand on the trigger handle and your left hand on the front handle.
NOTE: Keep a firm grip with both hands during operation.
- Place the trimmer on the right side of your body with the engine behind and away from your body.
- Press the trigger to start the trimmer.
- Trim grass and weeds in a right-to-left motion with the line parallel to the ground.

CUTTING TIPS

- Inspect and clear the area to be trimmed for any rocks, broken glass, or wire that could be thrown or become entangled in the cutting line.
- Trim only when grass or weeds are dry.
- Keep the cutting line parallel to the ground.
- Cut grass or weeds over eight inches tall from the top to the bottom in small amounts. This will prevent grass becoming wrapped around the trimmer head assembly, which may result in damage due to overheating. If grass becomes wrapped around the trimmer head assembly, stop the trimmer, unplug it, and remove the grass.
- Move the trimmer slowly in and out of the area you are cutting, keeping the trimmer at the desired cutting height.
- Use the tip of the line to do the cutting. Do not force the trimmer head assembly into uncut grass.
- Feed out some line after each use to prevent the line from retracting into the cutting head.

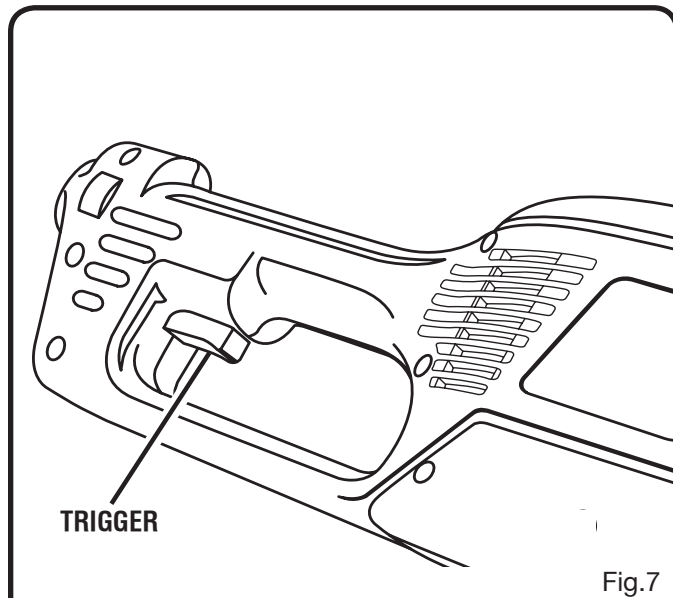


Fig.7



Fig. 8

OPERATION

- The tip of the cutting line will wear during use; this reduces the cutting swath. If the line is not advanced occasionally, it will wear down to the eyelet. When the trimmer stops, the line tends to relax and may retract into the trimmer head assembly. Should this occur, unplug the trimmer, remove the spool, refeed the line through the eyelets, and reassemble the spool.
- Avoid hitting objects with the line, such as chain-link fences or concrete, as this causes rapid wear.
- Never drag the trimmer head assembly on the ground while trimming.

ADVANCING THE CUTTING LINE AUTOMATICALLY

See Figure 9.

The trimmer includes the EZ Line™ Tap Advance System.

Follow these steps to advance the cutting line automatically.

- Press the trigger.
- Tap the retaining cap lightly on the ground while the motor is running. Do not hold the retaining cap on the ground.

NOTE: The line cutting blade on the grass deflector will cut the line to the proper length.

NOTE: To help prevent line tangle, tap only once to lengthen the line. If additional line is required, wait a few seconds before retapping the retaining cap. Keep the line length at or near full cutting diameter.

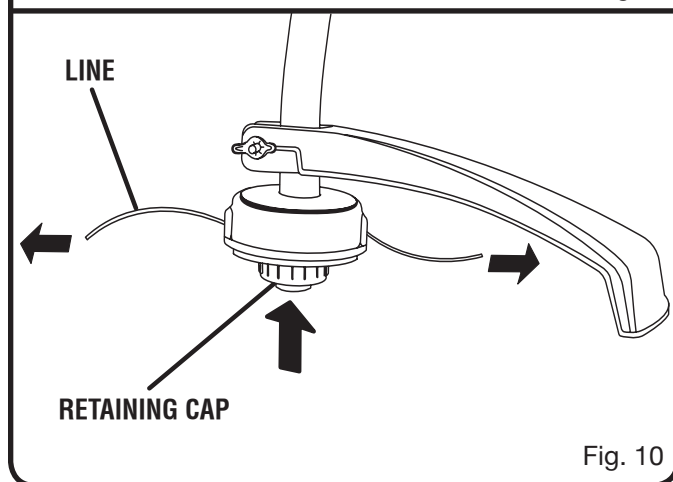
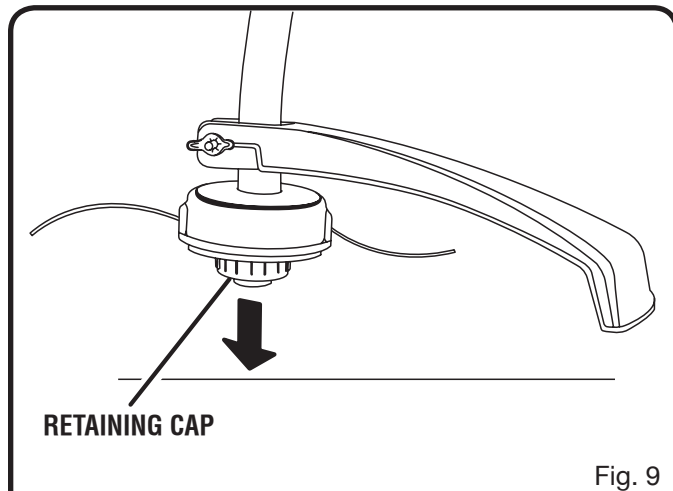
ADVANCING THE CUTTING LINE MANUALLY

See Figure 10.

If the cutting line wears to less than the recommended length, you may not be able to lengthen it by tapping the retaining cap.

Follow these steps to advance the cutting line manually.

- Release the trigger and allow the trimmer to coast to a stop.
- Unplug the trimmer.
- Pull sharply on the line while pushing down on the retaining cap.



OPERATION

CUT OFF BLADE

This trimmer is equipped with a cut-off blade on the grass deflector. For best cutting, advance string until it is trimmed to length by the cut-off blade. Advance string whenever you hear the engine running faster than normal. This will maintain best performance and keep string long enough to advance properly.

CUTTING TIPS

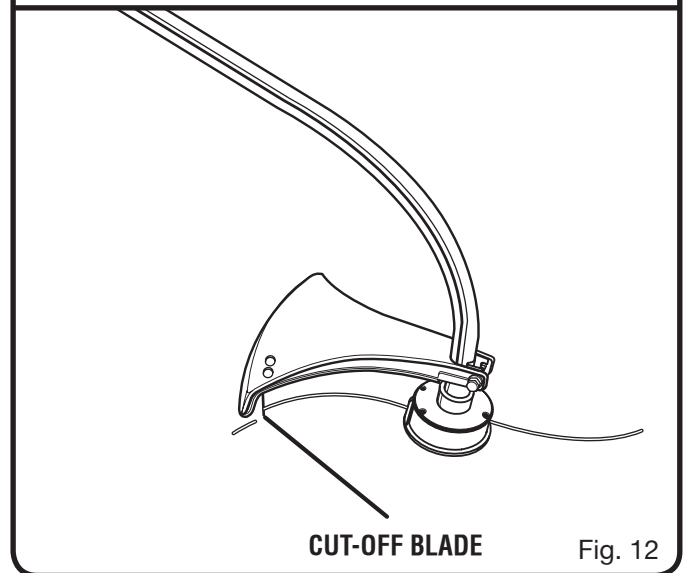
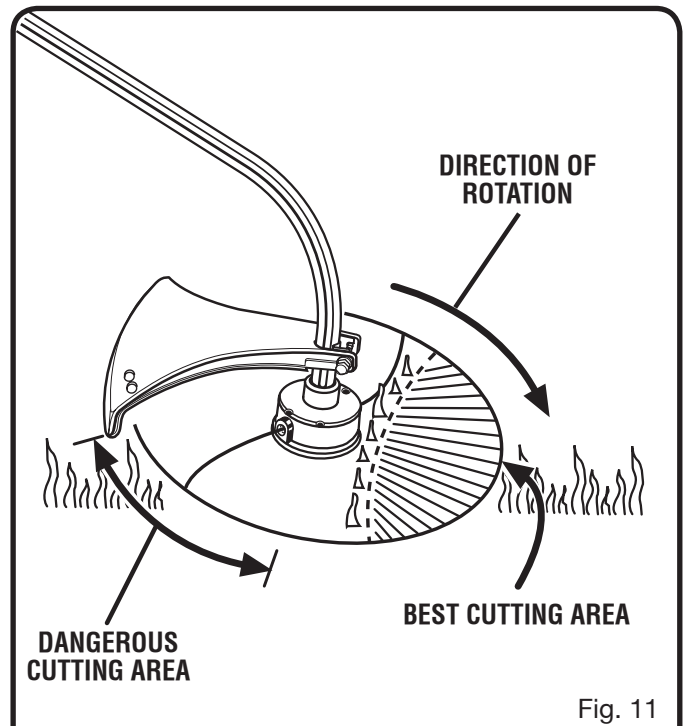
See Figure 11.

- Keep the trimmer tilted toward the area being cut; this is the best cutting area.
- Do not cut in dangerous cutting area.
- Use the tip of string to do the cutting; do not force string head into uncut grass.
- Wire and picket fences cause extra string wear, even breakage. Stone and brick walls, curbs, and wood may wear string rapidly.
- Avoid trees and shrubs. Tree bark, wood moldings, siding, and fence posts can easily be damaged by the string.

GRASS DEFLECTOR LINE TRIMMING CUT-OFF BLADE

See Figure 12.

This trimmer is equipped with a line trimming cut-off blade on the grass deflector. For best cutting, advance string until it is trimmed to length by the cut-off blade. Advance string whenever you hear the engine running faster than normal. This will maintain best performance and keep string long enough to advance properly.



MAINTENANCE

⚠ WARNING:

Use only identical Ryobi replacement parts when servicing this product. Use of any other parts may create a hazard or cause product damage.

CLEANING THE TRIMMER

Release the trigger, allow the trimmer to coast to a stop, and unplug the trimmer before cleaning.

- Clean the exterior of the trimmer with a soft, dry cloth.
- Avoid using solvents when cleaning plastic parts. Most plastics are susceptible to damage from various types of commercial solvents and may be damaged by their use.
- Wipe or scrape the trimmer head and spool area when they accumulate dirt or clippings.
- Scrape or brush debris away from air intake vents on the motor housing.

SERVICING THE TRIMMER

- Check all fasteners and tighten as necessary. If any part is damaged or lost, repair it or replace it.
- Any other service should be performed at a Homelite Authorized Service Dealer.

REPLACING THE CUTTING LINE

See Figures 13, 13a and 13b.

⚠ WARNING:

Use of line other than the original .080 in. monofilament cutting line could cause serious personal injury or damage to the trimmer.

Follow these steps to replace the cutting line.

- Release the trigger and allow the trimmer to coast to a stop.
- Unplug the trimmer.

⚠ WARNING:

Make sure the trimmer head stops rotating when you release the trigger. Contact with a rotating trimmer head could cause personal injury.

- Remove the retaining cap by turning it counter-clockwise.
- Remove the empty spool.
- Clean the trimmer head thoroughly. Inspect the trimmer head for any damaged or worn parts.
- Cut two pieces of line approximately 9 ft. (2.7 m) long.
- Insert the end of the new line into the hole in the upper threaded area of the spool.

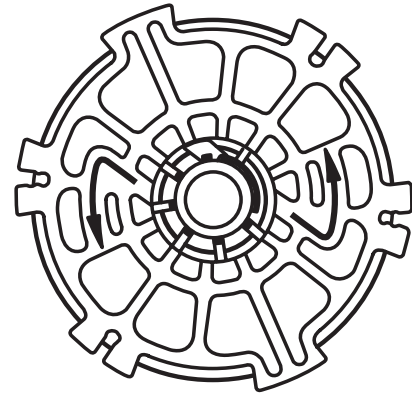
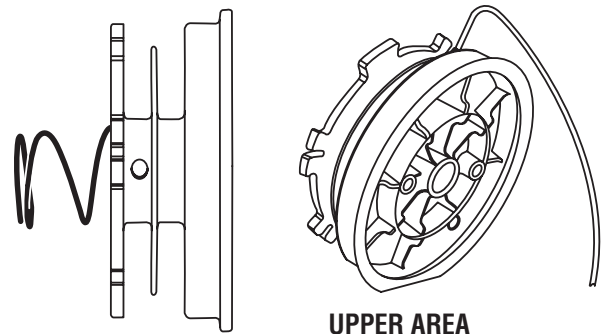
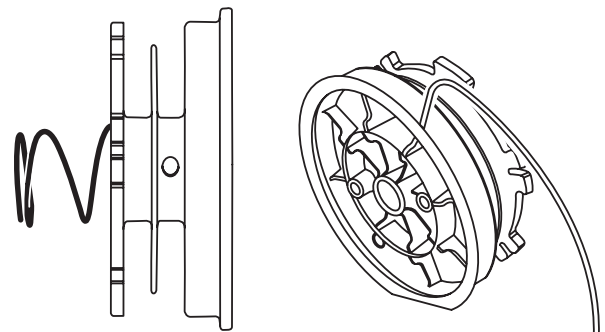


Fig. 13

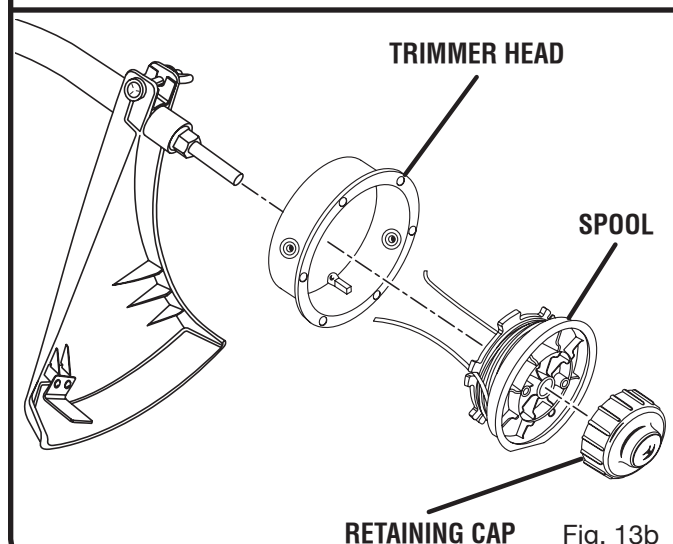


UPPER AREA



LOWER AREA

Fig. 13a



RETAINING CAP

Fig. 13b

MAINTENANCE

- Wind the line counterclockwise around the spool following arrows on spool. Do not overfill.

NOTE: After winding the line, there should be about 6 in. (152 mm) between the wound line and the outside edge of the spool.

- Secure the line temporarily by pushing it into one of the slotted tabs on the spool.
- Repeat the process for the lower threaded area of the spool, winding the line counterclockwise and securing it in the slotted tab opposite the first secured line.
- Insert the lines into the eyelets in the trimmer head.
- Place the spool on the drive shaft.

NOTE: To install the spool, you may need to rotate it slightly.

NOTE: If the line should tangle or break at the eyelets, remove the spool, refeed the line through the eyelets, and reassemble the spool on the trimmer.

- Release the lines from the tabs by sharply pulling each line while pushing down on the spool.
- Push down on the spool to reveal the threads on the drive shaft.
- Place the retaining cap on the threads inside the drive shaft.
- Secure the retaining cap by turning it clockwise.

⚠ WARNING:

An improperly installed retaining cap or spool could fly off the trimmer. Contact with a thrown retaining cap or spool could cause personal injury.

REPLACING THE SPOOL

See Figure 14.

The spool may wear during normal use of the line advance feature and may require occasional replacement. Replacement spools are available through your local retailer.

- Release the trigger.
- Unplug the trimmer.

⚠ WARNING:

Make sure the trimmer head stops rotating. Contact with a rotating trimmer head could cause personal injury.

- Remove the retaining cap by turning it counterclockwise.
- Remove the empty spool.
- Clean the trimmer head thoroughly. Inspect the trimmer head for any damaged or worn parts.

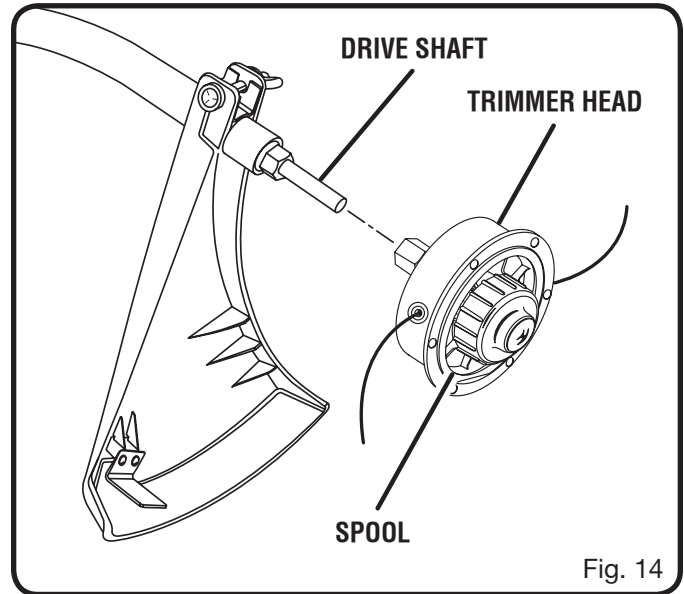


Fig. 14

- Hold the spool so that its tabbed side is positioned upward.

NOTE: On the new spool, the ends of the lines are secured in slots on tabs. Release the line from the tabs, unwind approximately six inches of line, and re-secure the lines in the tabs.

- Insert the lines on the new spool into the eyelets in the trimmer head.
- Place the spool on the drive shaft.

NOTE: To install the spool, you may need to rotate it slightly.

NOTE: If the line should tangle or break at the eyelets, remove the spool, refeed the line through the eyelets, and reassemble the spool on the trimmer.

- Release the lines from the tabs by sharply pulling each line while pushing down on the spool.
- Push down on the spool to reveal the drive shaft.
- Place the retaining cap on the drive shaft.
- Secure the retaining cap by turning it clockwise.

TROUBLESHOOTING

PROBLEM	POSSIBLE CAUSE	SOLUTION
Line will not advance when tap retaining cap	<ol style="list-style-type: none">1. Line is welded to itself.2. Not enough line on spool.3. Line is worn too short.4. Line is tangled on spool.	<ol style="list-style-type: none">1. Lubricate with a silicone spray.2. Install more line (Refer to "Replacing the Cutting Line" earlier in this manual).3. Pull lines while alternately pressing down on and releasing spool retainer.4. Remove line from spool and rewind (Refer to "Replacing the Cutting Line" earlier in this manual).
Retaining cap is hard to turn	Screw threads are dirty or damaged.	Clean threads and lubricate with grease. If no improvement, replace spool retainer.
Grass wraps around the attachment shaft and the trimmer head assembly	Cutting tall grass at ground level.	Cut tall grass from the top down.

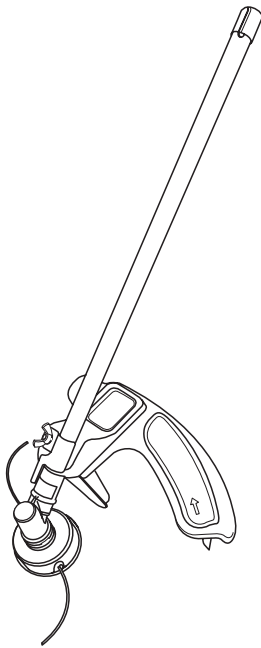
ACCESSORIES

REPLACEMENT PARTS

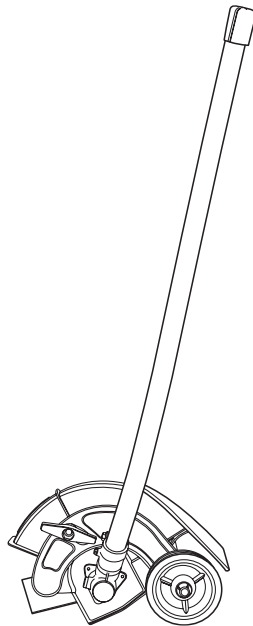
String Head (RH Thread) .080 in. (2 mm)	DA03001A
Spool & Line .080 in. (2 mm)	UP00145
String Refill .080 in. (2 mm); 390 ft. (118 mm)	D06511
String Refill .080 in. (2 mm); 50 ft. (15 mm)	D06509A
Retaining Cap (RH thread).....	DA98866A
Retaining Cap (Power Care™)	AP04106

OPTIONAL ATTACHMENTS

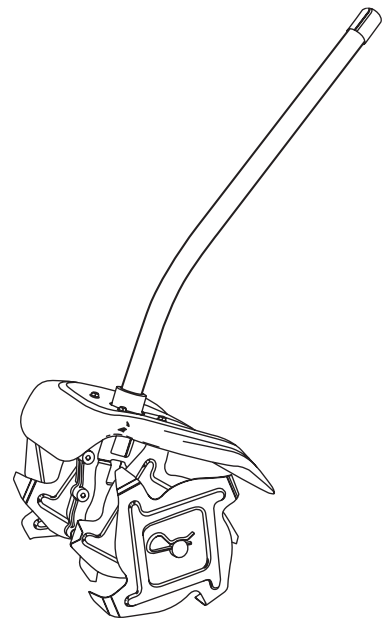
Expand-It Tiller Attachment.....	UT15550A
Expand-It Edger Attachment.....	UT15518E
Expand-It Straight Shaft Trimmer Attachment	UT15522E



UT15522E



UT15518E



UT15550A

⚠ WARNING:

The use of attachments or accessories not listed above could result in serious personal injury.

WARRANTY

LIMITED WARRANTY STATEMENT

Ryobi Technologies, Inc. warrants to the original retail purchaser that this Ryobi Technologies, Inc. product is free from defect in material and workmanship and agrees to repair or replace, at Ryobi Technologies, Inc.'s discretion, any defective product free of charge within these time periods from the date of purchase.

One year if the product is used for personal, family or household use;

90 days, if any of the above products are used for any other purpose, such as commercial or rental.

This warranty extends to the original retail purchaser only and commences on the date of the original retail purchase.

Any part of the Ryobi Technologies, Inc. product manufactured or supplied by Ryobi Technologies, Inc. and found in the reasonable judgment of Ryobi Technologies, Inc. to be defective in material or workmanship will be repaired or replaced by an authorized Ryobi Technologies, Inc. service dealer without charge for parts and labor.

The Ryobi Technologies, Inc. product including any defective part must be returned to an authorized service dealer within the warranty period. The expense of delivering the Ryobi Technologies, Inc. product to the dealer for warranty work and the expense of returning it back to the owner after repair or replacement will be paid for by the owner. Ryobi Technologies, Inc.'s responsibility in respect to claims is limited to making the required repairs or replacements and no claim of breach of warranty shall be cause for cancellation or rescission of the contract of sale of any Ryobi Technologies, Inc. product. Proof of purchase will be required by the dealer to substantiate any warranty claim. All warranty work must be performed by an authorized Ryobi Technologies, Inc. service dealer.

This warranty is limited to ninety (90) days from the date of original retail purchase for any Ryobi Technologies, Inc. product that is used for rental or commercial purposes, or any other income-producing purpose.

This warranty does not cover any Ryobi Technologies, Inc. product that has been subject to misuse, neglect, negligence, or accident, or that has been operated in any way contrary to the operating instructions as specified in the Ryobi Technologies, Inc. operator's manual. This warranty does not apply to any damage to the Ryobi Technologies, Inc. product that is the result of improper maintenance or to any Ryobi Technologies, Inc. product that has been altered or modified so as to adversely affect the products operation, performance or durability or that has been altered or modified so as to change its intended use. The warranty does not extend to repairs made necessary by normal wear or by the use of parts or accessories which are either INCOMPATIBLE WITH THE RYOBI TECHNOLOGIES, INC. product or adversely affect its operation, performance or durability.

In addition, this warranty does not cover:

- A. Tune-ups – Spark Plugs, Carburetor Adjustments, Filters
- B. Wear items – Bump Knobs, Outer Spools, Cutting Lines, Inner Reels, Starter Pulley, Starter Ropes, Drive Belts

Ryobi Technologies, Inc. reserves the right to change or improve the design of any Ryobi Technologies, Inc. product without assuming any obligation to modify any product previously manufactured.

ALL IMPLIED WARRANTIES ARE LIMITED IN DURATION TO THE STATED WARRANTY PERIOD. ACCORDINGLY, ANY SUCH IMPLIED WARRANTIES INCLUDING MERCHANTABILITY, FITNESS FOR A PARTICULAR PURPOSE, OR OTHERWISE, ARE DISCLAIMED IN THEIR ENTIRETY AFTER THE EXPIRATION OF THE APPROPRIATE ONE-YEAR OR NINETY DAY WARRANTY PERIOD. RYOBI'S OBLIGATION UNDER THIS WARRANTY IS STRICTLY AND EXCLUSIVELY LIMITED TO THE REPAIR OR REPLACEMENT OF DEFECTIVE PARTS AND RYOBI DOES NOT ASSUME OR AUTHORIZE ANYONE TO ASSUME FOR THEM ANY OTHER OBLIGATION. SOME STATES DO NOT ALLOW LIMITATIONS ON HOW LONG AN IMPLIED WARRANTY LASTS, SO THE ABOVE LIMITATION MAY NOT APPLY TO YOU. RYOBI ASSUMES NO RESPONSIBILITY FOR INCIDENTAL, CONSEQUENTIAL OR OTHER DAMAGES INCLUDING, BUT NOT LIMITED TO EXPENSE OF RETURNING THE RYOBI TECHNOLOGIES, INC. PRODUCT TO AN AUTHORIZED SERVICE DEALER AND EXPENSE OF DELIVERING IT BACK TO THE OWNER, MECHANIC'S TRAVEL TIME, TELEPHONE OR TELEGRAM CHARGES, RENTAL OF A LIKE PRODUCT DURING THE TIME WARRANTY SERVICE IS BEING PERFORMED, TRAVEL, LOSS OR DAMAGE TO PERSONAL PROPERTY, LOSS OF REVENUE, LOSS OF USE OF THE PRODUCT, LOSS OF TIME, OR INCONVENIENCE, SOME STATES DO NOT ALLOW THE EXCLUSION OR LIMITATION OF INCIDENTAL OR CONSEQUENTIAL DAMAGES, SO THE ABOVE LIMITATION OR EXCLUSION MAY NOT APPLY TO YOU.

This warranty gives you specific legal rights, any you may also have other rights which vary from state to state.

This warranty applies to all Ryobi Technologies, Inc. Products manufactured by Ryobi Technologies, Inc. and sold in the United States and Canada.

To locate your nearest service dealer, dial 1-800-860-4050.



OPERATOR'S MANUAL

15 in. (381 mm)

String Trimmer

ZRRY41002 Series

- **SERVICE**

Now that you have purchased your product, should a need ever exist for repair parts or service, simply contact your nearest Authorized Service Center. Be sure to provide all pertinent facts when you call or visit. Please call 1-800-860-4050 for your nearest Authorized Service Center.

- **MODEL NO. AND SERIAL NO.**

The model number of this tool is found on a plate attached to the motor housing. Please record the serial number in the space provided below.

- **HOW TO ORDER REPAIR PARTS**

When ordering repair parts, always give the following information:

- Model No. ZRRY41002 (EL15)
- Serial No. _____

RYOBI TECHNOLOGIES INC.

1428 Pearman Dairy Road Anderson, SC 29625
Post Office Box 1207 Anderson, SC 29622
Phone 1-800-860-4050

Free Manuals Download Website

<http://myh66.com>

<http://usermanuals.us>

<http://www.somanuals.com>

<http://www.4manuals.cc>

<http://www.manual-lib.com>

<http://www.404manual.com>

<http://www.luxmanual.com>

<http://aubethermostatmanual.com>

Golf course search by state

<http://golfingnear.com>

Email search by domain

<http://emailbydomain.com>

Auto manuals search

<http://auto.somanuals.com>

TV manuals search

<http://tv.somanuals.com>