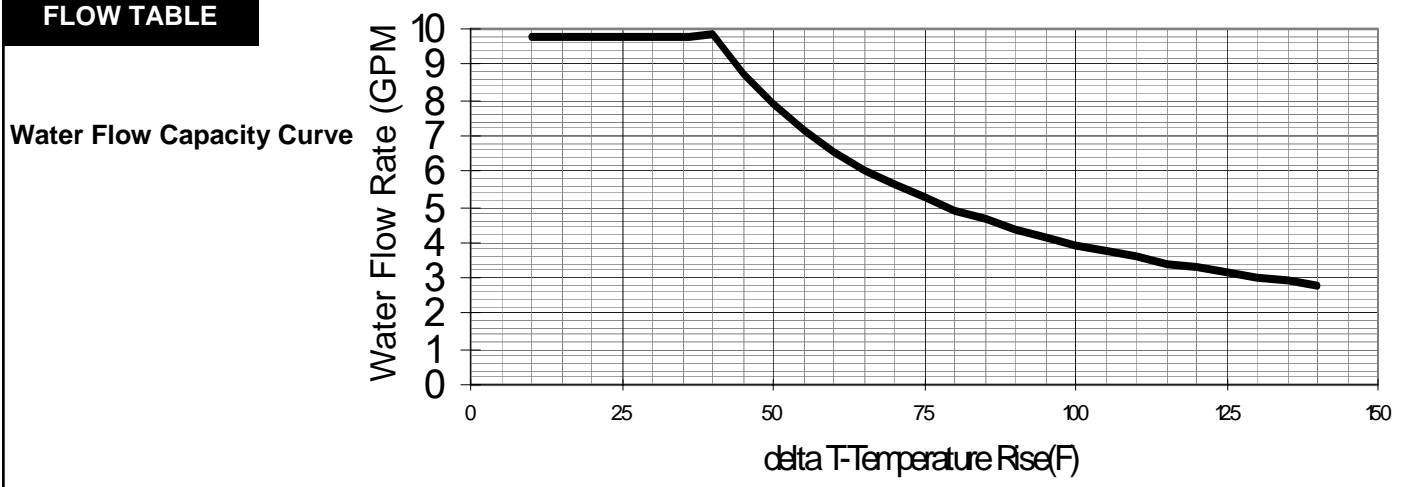


Type of Appliance	Temperature controlled, continuous flow, gas hot water system
Rinnai model number	REU-VA3237W
Operation / Installation	Forced combustion; outdoor only
Minimum/Maximum Gas Rate (Input)	19,000 - 237,000 BTU/h (Natural Gas or Propane)
Electrical	Appliance: AC 120 Volts - 60 Hz Controller: DC 12 Volts
Electrical Consumption	Normal 99 watts Standby 2 watts Anti-frost protection 116 watts
Ignition System	Direct electronic ignition
Hot Water Capacity	0.6 to 7.9 GPM (50° F rise) 0.9 to 9.8 GPM (35° F rise)
Temperature	98° - 140° F (98° - 185° F available with the MCC-91 controller for commercial and hydronic applications)
Temperature (without remote)	120° F (factory default)
Approved Gas Types	Natural or Propane (ensure unit matches gas type)
Thermal Efficiency	Natural Gas: 83% Propane: 83%
Service Connections	Gas supply: 3/4 inch MNPT Cold water inlet: 3/4 inch MNPT Hot water outlet: 3/4 inch MNPT
Water Flow Control	Water flow sensor, electronic water control and by-pass control
Minimum/Maximum Water Supply Pressure	15 - 150 PSI (50 PSI or above is recommended for maximum flow)

FLOW TABLE



Water Temperature Control

Controller

Simulation feed forward and feedback

MC-91-1US (included)
 Deluxe controller: MC-100V-1US (optional)
 Bathroom controller: BC-100V-1US (optional)
 Wireless controller: MC-502RC-1US-MS (optional)
 MCC-91-1US (for commercial applications)

98° - 140° F
 98° - 185° F

Controller Cable

Non-polarized two-core cable, minimum 22 AWG

Safety Devices

- Flame failure - Flame Rod
- Boiling protection
- Combustion fan rpm check
- Over current - glass fuse (3 amp)
- Remaining flame (OHS)
- Thermal fuse
- Automatic frost protection

Clearances from Combustibles

- Top of heater - 12 inches
- Front (Panel) - 24 inches
- Front (Exhaust) - 24 inches
- Back of heater - 0 inches
- Bottom of heater - 12 inches
- Sides of heater - 6 inches

Clearances from Non-combustibles

* 24 inches required for serviceability

- Top of heater - 2 inches
- Front (Panel) - 0 inches *
- Front (Exhaust) - 24 inches
- Back of heater - 0 inches
- Bottom of heater - 2 inches
- Sides of heater - 1/8 inch

Min. / Max. Gas Supply Pressure

Natural Gas: min 5" W.C. max 10.5" W.C.
 Propane Gas: min 8" W.C. max 13.5" W.C.

Manifold Gas Pressure (inches W.C.)

Natural Gas: high fire 2.8" W.C. low fire 0.65" W.C.
 Propane Gas: high fire 3.8" W.C. low fire 0.80" W.C.

NOx

Meets California and Texas NOx Emission Rules

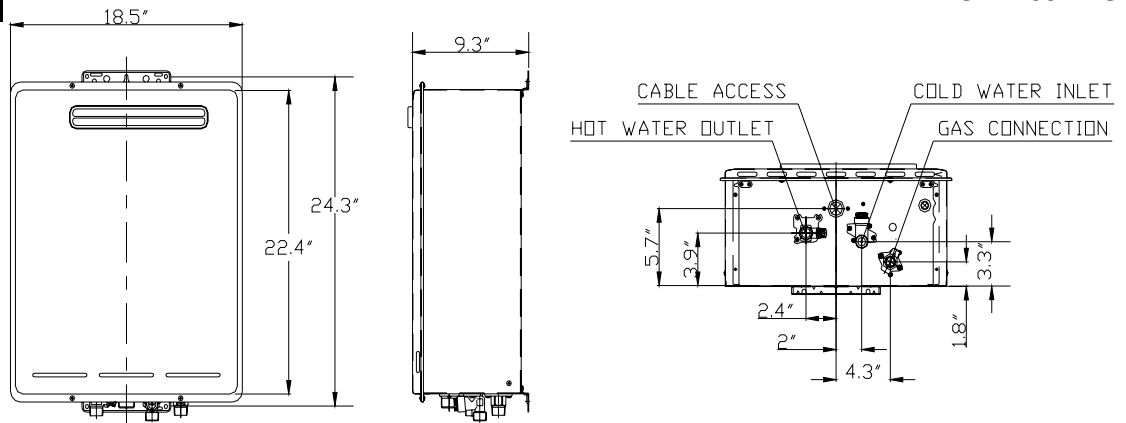
Warranty

Heat exchanger: 12 years* for residential and 5 years* for commercial and hydronic applications; (10 years* if used with the Rinnai Hydronic Air Handler); all other parts 5 years*; labor 1 year; (* 3 years if used as a circulating water heater within a circulation loop, when the water heater is in series with a circulation system and all circulating water flows through the water heater)

Rinnai is continually updating and improving products; therefore, specifications are subject to change without prior notice. Local, state, provincial and federal codes must be adhered to prior to installation.

DIMENSIONS

WEIGHT: 55 LBS



Free Manuals Download Website

<http://myh66.com>

<http://usermanuals.us>

<http://www.somanuals.com>

<http://www.4manuals.cc>

<http://www.manual-lib.com>

<http://www.404manual.com>

<http://www.luxmanual.com>

<http://aubethermostatmanual.com>

Golf course search by state

<http://golfingnear.com>

Email search by domain

<http://emailbydomain.com>

Auto manuals search

<http://auto.somanuals.com>

TV manuals search

<http://tv.somanuals.com>