

Owner's Operation and Installation Manual for the

**EX17C (RHFE-434FTA)**

**EX22C (RHFE-559FTA)**

Energysaver®

Gas Direct Vent Wall Furnace

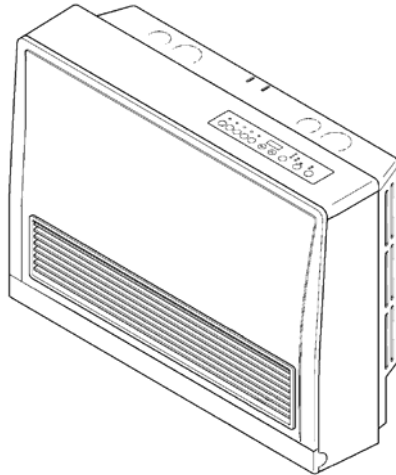


Table of Contents.....	2
Consumer Safety Information .....	3
Specifications.....	4
Operating Instructions.....	6
Installation Instructions .....	15
Adjust Gas Pressure Settings .....	28
Consumer Support.....	44
French Version.....	46

**⚠ WARNING: If the information in these instructions is not followed exactly, a fire or explosion may result causing property damage, personal injury or loss of life.**

- Do not store or use gasoline or other flammable vapors and liquids in the vicinity of this or any other appliance.
- **WHAT TO DO IF YOU SMELL GAS**
  - Do not try to light any appliance.
  - Do not touch any electrical switch; do not use any phone in your building.
  - Immediately call your gas supplier from a neighbor's phone. Follow the gas supplier's instructions.
  - If you cannot reach your gas supplier, call the fire department.
- Installation and service must be performed by a qualified installer, service agency or the gas supplier.

**INSTALLER: Leave this manual with the appliance.  
CONSUMER: Retain this manual for future reference.**

Register your product at [www.rinnairegistration.com](http://www.rinnairegistration.com)  
or call 1-866-RINNAI1 (746-6241)

**Rinnai®**

This appliance may be installed in an aftermarket, permanently located, manufactured home (USA only) or mobile home, where not prohibited by local codes.

This appliance is only for use with the type of gas indicated on the rating plate. This appliance is not convertible for use with other gases, unless a certified kit is used.

## Table of Contents

### Consumer Safety Information

Safety Definitions .....	3
Safety Behaviors and Practices .....	3
Safety Features .....	4

### Specifications

Appliance Specifications .....	4, 5
Features .....	5
Flue Manifolds .....	5

### Operating Instructions

Getting to Know your New Heating Appliance .....	6
Control Panel .....	7
ON/OFF .....	7
Child Lock .....	7
Setting the Clock .....	8
Operating the Heater Manually .....	8
Setting and Operating the Timers .....	8
Override Function .....	9
Economy (Energy Saving Mode) .....	9
Set back .....	10
Humidifier and Airflow Direction .....	10
Adding Water to the Humidifier .....	10
Adjusting Air Flow Direction .....	10
Care and Maintenance .....	11
Maintenance .....	11
Care of Exterior .....	11
Snow Accumulation .....	11
Filters .....	11
Visual Inspection of Flame .....	11
Before Making a Service Call .....	12
Fault Codes .....	13
Restart Function .....	14
Troubleshooting .....	14

### Installation Instructions

General Instructions .....	15
Gas Connection .....	16
Clearances to Combustibles .....	16
Attach Back Covers (Sides Only) .....	16
Dimensions .....	17
Flue Terminal Clearances .....	18, 19
Installation Parts .....	20
Drilling Flue Hole .....	21
Flue Manifold Installation .....	22, 23
Extension Kit Installation .....	24-26
Connecting the Appliance .....	27
Adjust Gas Pressure Settings .....	28, 29
Normal Operating Sequence .....	29
Visual Inspection of Flame .....	29
Final Assembly .....	29
Operating Instructions .....	30
Cut-Away Diagram .....	31
Wiring Diagram .....	32
Ladder Diagram .....	33
Parts List .....	34-43

### Consumer Support

Warranty Information .....	44
Limited Warranty .....	44, 45

French Version .....	46-80
----------------------	-------

# Consumer Safety Information

## Safety Definitions



This is the safety alert symbol. This symbol alerts you to potential hazards that can kill or hurt you and others.

### **DANGER**

Indicates an imminently hazardous situation which, if not avoided, will result in death or serious injury.

### **WARNING**

Indicates a potentially hazardous situation which, if not avoided, could result in death or serious injury.

### **CAUTION**

Indicates a potentially hazardous situation which, if not avoided, could result in minor or moderate injury. It may also be used to alert against unsafe practices.

## Safety Behaviors and Practices

### **WARNING**

- Repairs should be performed by a qualified service technician. Consumer should not repair by yourself.
- Keep the area around the appliance clear and free from combustible materials, gasoline, and other flammable vapors and liquids.
- Never store liquid propane containers indoors.
- Do not use this appliance if any part has been under water. Immediately call a qualified service technician to inspect the appliance and to replace any part of the control system and any gas control which has been under water.
- This appliance is equipped with a three-prong plug for your protection against shock hazard and should be plugged directly into a properly grounded three-prong receptacle. Do not cut or remove the ground prong from this plug.
- Any alteration to the appliance or its controls can be dangerous.
- Do not operate appliance with the panels removed, cracked or broken. Replacement of the panels should be done by a licensed or qualified service person.

### **CAUTION**

- Do not block the warm air discharge. Do not allow anyone to sleep directly in front of the appliance.
- Due to high temperatures, the appliance should be located out of traffic and away from furniture and draperies.
- Children and adults should be alerted to the hazards of high surface temperature and should stay away to avoid burns or clothing ignition.
- Young children should be carefully supervised when they are in the same room as the appliance.
- Clothing or other flammable material should not be placed on or near the appliance.
- Any safety screen or guard removed for servicing must be replaced prior to operating the appliance.
- Do not insert items into the louvers.
- Do not spray aerosols near the appliance while it is operating. Most aerosols contain butane gas which is flammable.
- Do not unplug the appliance while it is operating or while the fans are on.
- Do not use bare hands to touch the front louvers due to high temperatures which may cause burns.
- Prevent dust from accumulating on the power cord, side covers, and parts behind the appliance.
- Do not sit on the heater.
- Do not place containers of liquid on top of the heater. Water spillage can cause extensive damage to the appliance and may result in electric shock.

## Safety Features

- **Overheat:** The appliance will automatically shut down when the appliance exceeds a predetermined temperature.
- **Flame Failure:** The appliance will automatically shut down if the burner flame is extinguished.
- **Power Failure:** The appliance will shut off the gas if it loses electrical power.
- **Power Surge Fuse:** A glass fuse on the PC board protects against overcurrent. If the fuse blows then all indicator lamps will be off.
- **Spark Detector:** The appliance automatically shuts down if there is an abnormal spark at ignition.
- **Fusible Link:** In case the overheat feature does not prevent an overheat then the fusible link could break, shutting off the appliance.

## Specifications

### Appliance Specifications

	EX17C	EX22C
Application	For manufactured home (USA only) or mobile home or residential installation convertible for use with natural gas and liquefied petroleum gases (propane / LPG) when provision is made for the simple conversion from one gas to the other. For commercial setting. For installation at altitudes up to 10,200 feet (3109 m).	
General Description	Forced combustion, forced convection, flued gas furnace	
Operation	Push button electronic	
Gas Connection	1/2 in male NPT	
Gas Control	Electronic	
Burners	Stainless steel Bunsen burner	
Temperature Control	Electronic thermostat, (Low, 60-80°F in 2°F increments, High)	
Ignition System	Electronic spark ignition	
Flue System	The flue must be terminated to atmosphere with only flue components listed with the appliance's certification. Warranty will be voided if non listed components are installed.	
Humidifier Tray	Capacity - 2.1 pints (1000 cc)	
Electrical Connection	AC 120V, 60 Hz, 46 watts	AC 120V, 60 Hz, 56 watts
Standby Power	0.5 watt	
Weight	57 lbs (26 kg)	
Noise Level	33-38 dB	33-42 dB
AFUE Rating	Natural Gas: 81%      Propane: 82%	Natural Gas: 80%      Propane: 82%

Rinnai is continually updating and improving products. Therefore, specifications are subject to change without prior notice.

The efficiency rating of this appliance is a product thermal efficiency rating determined under continuous operating conditions and was determined independently of any installed system.

## Appliance Specifications

	Natural Gas	Propane Gas
Minimum supply gas pressure	3.5 in (89 mm) W.C.	8.0 in (203 mm) W.C.
Maximum supply gas pressure	10.5 in (267 mm) W.C.	13.0 in (330 mm) W.C.

EX17C		
	Natural Gas	Propane Gas
BTU/hour input	Low 8200 High 16700	Low 8200 High 16700
BTU/hour output	Low 6560 High 13360	Low 6560 High 13360

EX22C		
	Natural Gas	Propane Gas
BTU/hour input	Low 8200 High 21500	Low 8200 High 20700
BTU/hour output	Low 6560 High 17200	Low 6560 High 16560

## Features

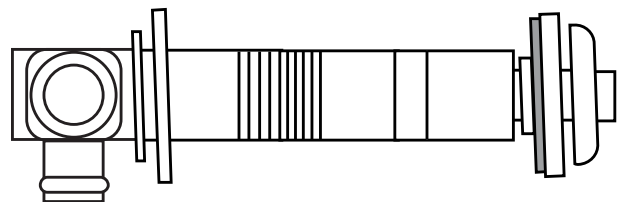
- Restarts automatically when ignition or combustion fails.
- Clean Heating Forced Flue Type
- Easy Operation One-Touch Ignition
- Programmable Thermostat
- Warm Air Outlet at Floor Level (keeps your feet warm)
- Child Lock
- Room Temperature Setting Memory
- Clean the Air Filter - Indicator Lamp
- Energy Saving Economy Setting
- Humidifier Tray
- Air Flow Directional Louvers
- Direct Vent Easily Installed
- Proportional Heating Variable Capacity
- Hush! Quiet Operation
- Modern Design Minimizes Floor Space Requirements
- Fault Code Message Display
- Timers 1 and 2
- Dimmer
- Set back (setting a minimum temperature)
- Temperature settings in Fahrenheit or Celsius

## Flue Manifolds

See the installation instructions for the parts list of the vent kit.

The "A" Vent Kit is included with the appliance.

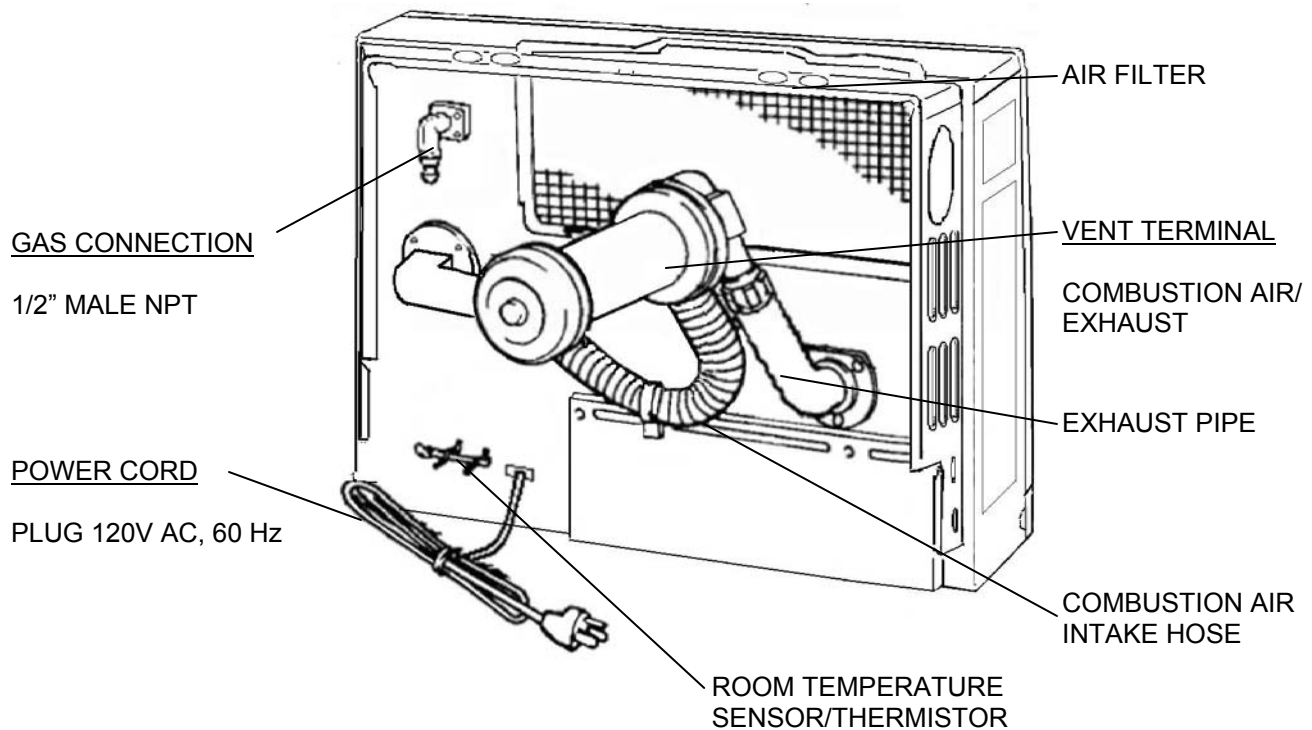
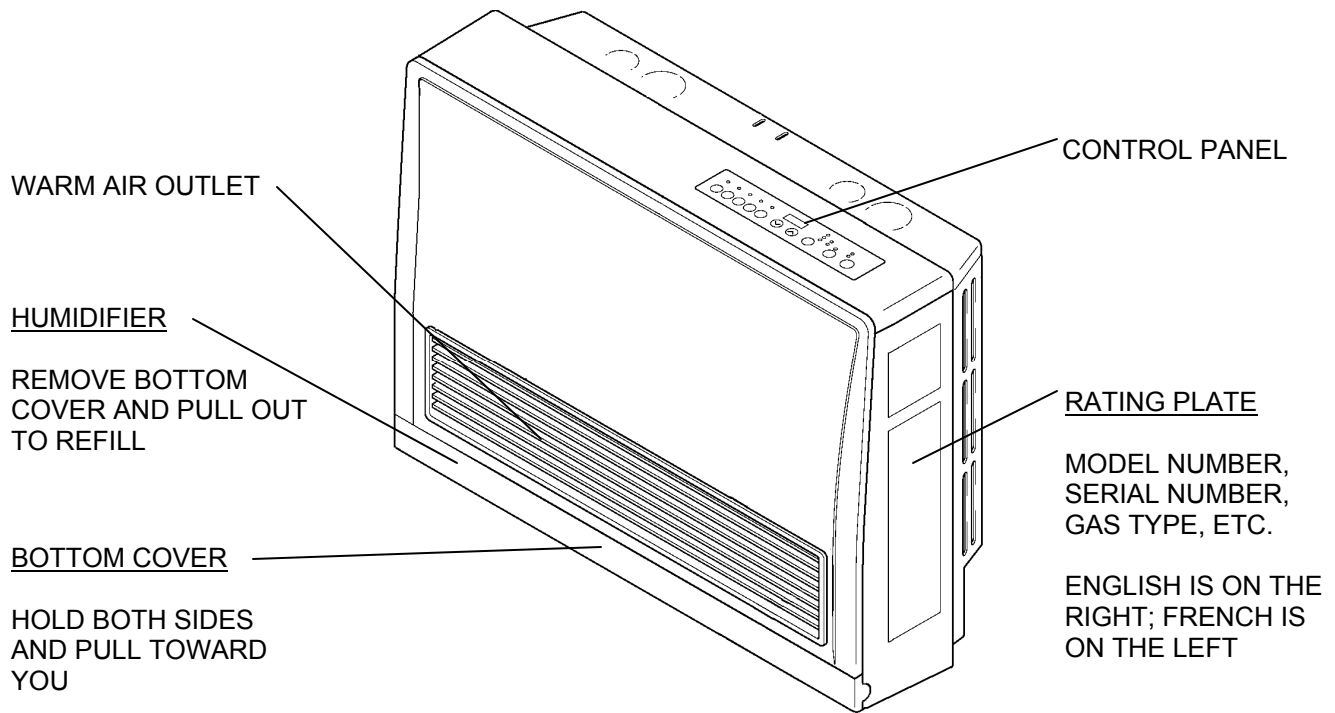
The following flue manifold sizes are available:



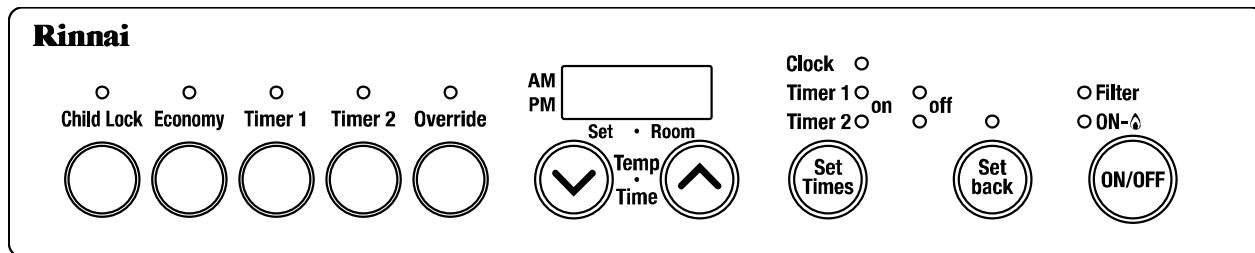
Name	Kit No.	Fits walls
S Vent Kit	FOT-150	3 - 4 1/2 in (75 - 115 mm)
A Vent Kit	FOT-151	4 1/2 - 9 1/2 in (115 - 240 mm)
B Vent Kit	FOT-152	9 1/2 - 15 3/4 in (240 - 400mm)
C Vent Kit	FOT-153	15 3/4 - 23 5/8 in (400 - 600 mm)
D Vent Kit	FOT-154	23 5/8 - 31 1/2 in (600 - 800 mm)

# Operating Instructions

## Getting to Know your New Heating Appliance



## Control Panel



### Sensible Temperature Control

The sensible temperature control feature allows comfortable heating which matches the conditions in the room.

Based on the information collected by the room temperature thermistor when the heating starts, the heating capacity is automatically adjusted to achieve a

comfortable heating effect and to reach the temperature setting quickly.

Occasionally, the room temperature may briefly exceed the temperature setting due to the layout of the room or heating area.

### Display

After the heater is turned on and begins operating, the display will dim. The display will turn off when the heater is turned off. While programming the timers the display will turn off several seconds after a button is last pushed.

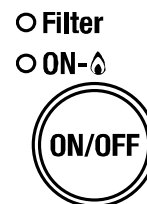
### Fahrenheit or Celsius

1. The heater must be turned off.
2. Press the Timer 1 and Timer 2 button at the same time for about 5 seconds. The display will show "°C" or "°F".
3. Use the arrow keys to select the temperature scale.
4. Press the ON/OFF button.

### ON / OFF

Press the ON/OFF button to operate the heater. The ON indicator will glow green. Once the burner ignites the ON indicator will glow red. When the heater warms up, the fan will automatically start.

To turn the heater off, press the ON/OFF button. The ON indicator light will go out. The fan will continue to operate for several minutes after the burner has gone out in order to cool the heater. Do not unplug the heater while the fan is running.



### Child Lock

The Child Lock will help to prevent accidental operation of the appliance and to prevent children from operating the appliance.

To activate Child Lock, press the Child Lock button. The indicator will light and a beep will sound.

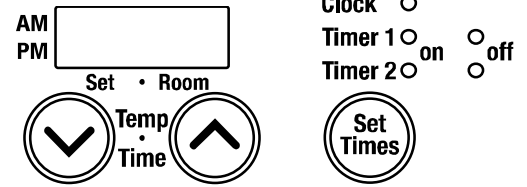
To deactivate Child Lock, press the Child Lock button and hold for about 2 seconds. The indicator light will go out and a beep will sound.

- The lock can be activated when the heater is ON or OFF.
- If activated while the heater is ON, all controls other than the OFF switch will be locked.
- If activated while the heater is OFF, then all controls will be locked.
- If the heater is turned off while the Child Lock is activated, it cannot be turned on again until the lock is deactivated.
- Deactivating the lock releases the control buttons.



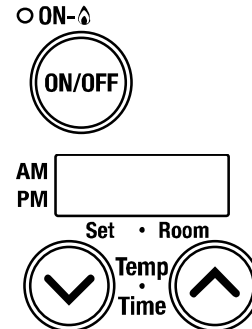
## Setting the Clock

1. Press the "Set Times" button.
2. The light next to "Clock" should be lit. Press the up and down arrows to set the time. Holding down either of the arrow keys will change the time more quickly.
3. Press the "Set Times" button until none of the time options are lit up.



## Operating the Heater Manually

1. Turn the heater on by pressing the "ON/OFF" button.
2. Press the up or down arrows to set the temperature. The left side of the display shows the temperature setting. The right side of the display shows the room temperature.



## Setting and Operating the Timers

Confirm the clock is correct.

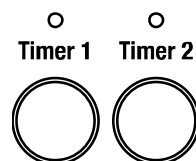
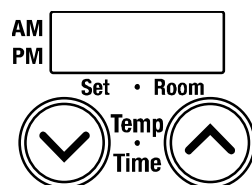
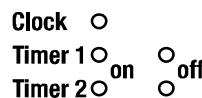
NOTE: The clock will have to be reset in case of a power failure. However the timers will retain their settings.

The heater will start before the programmed starting time in order to heat the room by the programmed starting time.

The timers can be set while the heater is on or off. To operate the timer, the heater must be on.

### Setting the timers:

1. Press the "Set Times" button twice to set Timer 1.
2. The light next to "Timer 1 on" should be lit. Press the up or down arrows to set the start time. Holding down either of the arrow keys will change the time more quickly.
3. Press the "Set Times" button again so that the Timer 1 off position is lit. Press the up or down arrows to set the end time. Holding down either of the arrow keys will change the time more quickly.
4. Press the "Set Times" button again to set the times for Timer 2. Follow the same steps above to set the start and end times.
5. Press the "Set Times" button until none of the time options are lit up.



### Operating the timers:

To operate the heater using a Timer, press the ON/OFF button and the appropriate Timer button. The heater will operate from the start to end times you have entered for that Timer. It will operate at the temperature setting that has been set for the heater. The timer can be set while the heater is operating.



## Override Function

---

This function is used only when the heater is in Timer operation.

It allows you to “override” the reset timer setting until the beginning of the next Timer period.

For example, if the heater is ON, pressing the “Override” button will turn the heater OFF until the next period. If the heater is OFF, pressing the “Override” button will turn the heater ON, and allow you to select a temperature setting, until the next period. The heater will remain on until the next timer period or until the Override function is turned off.

When in override function, pressing the “Override” button will return the heater to the operation of the current timer period.



## Economy (Energy Saving Mode)

---

The Economy mode can only be set while the heater is operating (heating). Once it is set, it will remain in the system memory until deactivated.

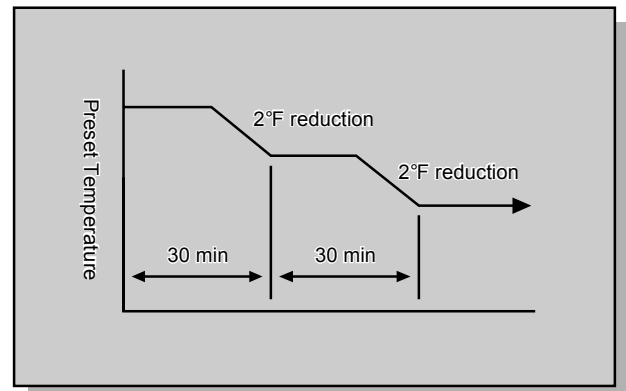
1. To turn the Economy mode on, press the “Economy” button. The Economy indicator is lit.
  - The Economy mode now remains in the system memory.
  - If the appliance is turned off manually, or stops heating as a result of an OFF timer period, the “Economy “ indicator will go out.
  - Whenever the appliance starts heating again, the “Economy” indicator will light.
2. To turn the Economy mode off, press the “Economy” button. The “Economy “ indicator will go out.
  - The Economy mode can only be turned off while the heater is operating (heating) and when the “Economy” indicator is lit.



### **Economy Mode Information**

After the room is heated initially, the air temperature may be dropped to a lower level without affecting comfort. The Economy Mode reduces the temperature by 2 °F, 30 minutes after the room temperature setting is reached. After another 30 minutes, it reduces the temperature setting by another 2 °F, effectively saving energy. The room temperature setting will drop up to a total of 4 °F.

The Economy Mode will not operate if the heater is under capacity for the room size.



## Set back

This function allows a minimum room temperature to be pre-set, between 38°F and 78°F (in 2°F increments). This temperature should be set below the room temperature setting. The default setting is 60°F. Once the Set back function is selected the appliance will start heating whenever the room temperature falls below the selected temperature, regardless of timer or manual settings.

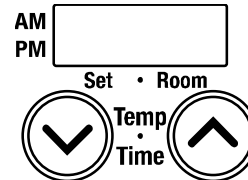
Follow these steps to set and operate the Set back feature:

1. Make sure the heater is turned OFF.
2. Press the "Set back" button. The light above the button will come on.
3. Press the up and down buttons to set the minimum temperature.

When the "Set back" indicator is on, frost protection is operating, and will always prevent the room temperature from falling below the pre-set minimum temperature (as long as electric power and gas is supplied).

To turn this feature off, press the "Set back" button.

The unit will retain its ON or OFF setting after a power failure. (Default setting at the factory is on.)



## Humidifier and Air Flow Direction

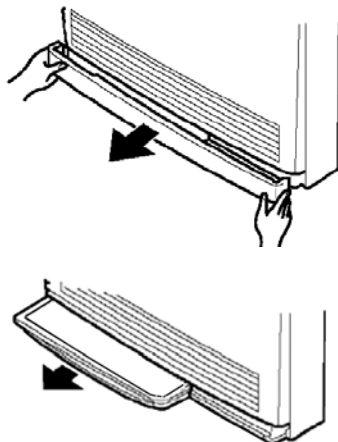
### Adding Water to the Humidifier

**CAUTION** Do not remove the bottom trim panel or the humidifier tray while warm air is flowing. Wait 5 minutes after turning the unit off.

Warm air is humidified when it passes over the water in the tray.

To fill the tray, remove the bottom panel by pushing on both sides and pulling it toward you. Pull the tray out and fill with water. Do not exceed the fill line. Push the tray back in and attach the bottom panel. Do not operate the appliance unless the humidifier tray is installed.

During operation a small amount of condensation is produced in the flue system and drains into the humidifier tray.



### Adjusting Air Flow Direction

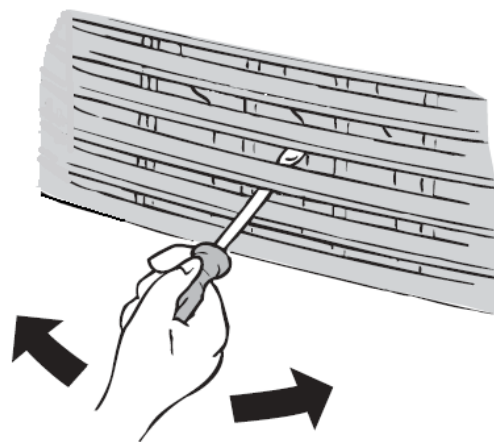
**CAUTION** Do not adjust the air flow louvers while warm air is flowing.

The vertical louvers may be adjusted to move the air flow more to the right or to the left.

Use a screw driver or similar object to bend each louver to the desired position.

Do not bend repeatedly (no more than 5 times) or else the louver will break.

The horizontal louvers (which determines the vertical air flow direction) are fixed and cannot be adjusted.



## Care and Maintenance

### Maintenance

All maintenance and service are to be performed by a qualified service technician, preferably one who has attended Rinnai service training classes on the Direct Vent products.

The appliance should be inspected annually by a qualified service technician. More frequent cleaning may be required due to excessive lint from carpeting, bedding material, etc. It is imperative that control compartments, burners, and circulating air passage ways of the appliance be kept clean.

**CAUTION** Prevent dust from accumulating on the power cord, side covers, and parts behind the appliance.

Any screen or guard removed for servicing the appliance must be replaced prior to operating the appliance. Clean as follows:

1. Turn heat off. Allow to cool for an half hour.
2. Remove the front panel by removing five screws.
3. Use pressurized air to remove dust from the main burner, heat exchanger, and fan blades.
4. Use soft dry cloth to wipe cabinet.

Do not use wet cloth or spray cleaners on the burner.

The flue should be inspected annually for blockages or damage.

Motors are permanently lubricated and do not need periodic lubrication. Keep fan and motor free of dust and dirt by cleaning annually.

Verify proper operation after servicing.

When attaching the front panel, take care not to clip or pinch any electric cords to prevent electric shock.

### Care of Exterior

Dampen soft cloth with warm water. Wring water out well and wipe the unit.

Do not use volatile substances such as benzene or thinners. They cause fading of the paint and deformation of the resin.

### Snow Accumulation

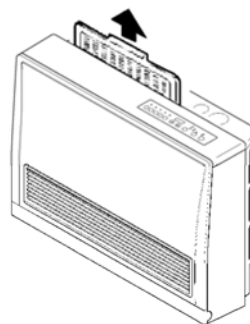
Keep the area around flue terminal free of snow and ice. The appliance will not function properly if the intake air or exhaust is impeded by obstructions.

Refer to the Flue Terminal Clearances, page 18. The clearance in Ref. A should be maintained from any snow accumulation.

### Filters

Dirty filters reduce the air flow and the appliance's ability to produce heat. The filters should be cleaned frequently during the heating season.

If the filters become blocked the filter indicator lamp will flash red and a beep will sound five time. This beeping will repeat every 5 minutes. Eventually the appliance will turn off and display fault code 14 on the control panel display.



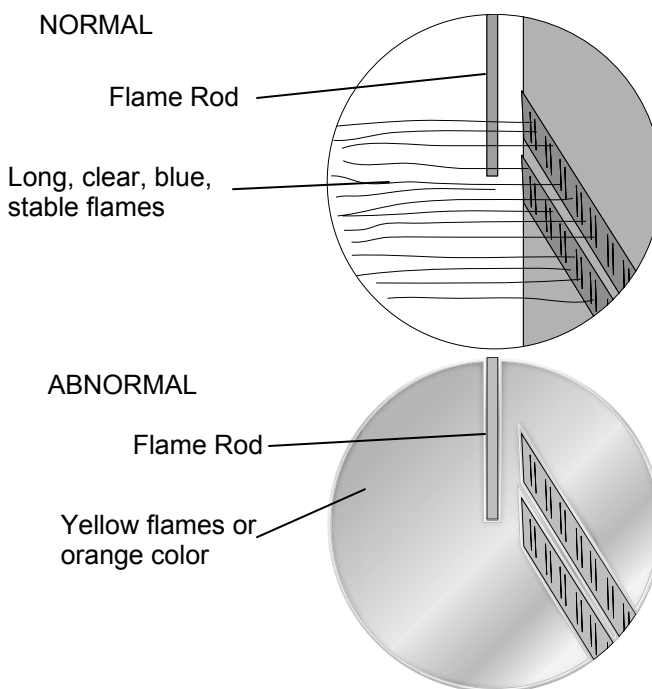
To clean the filters, the appliance should be OFF and cool. Remove the filter and clean it using a soft dry cloth or vacuum. If the filter is greasy wash with warm soapy water, rinse, and dry completely.

Do not use the appliance without the filter installed.

### Visual Inspection of Flame

Check that the burner flames are operating normally. The flame can be seen through the circular window.

When operating normally the burner flame should appear as long, clear, blue, stable, streaks. Yellow flames or an orange color is abnormal and maintenance is required.



## Before Making a Service Call

---

Before making a service call please check the following:

### ■ At Ignition:

Heater does not operate.



Is the heater plugged in?  
Have the fuses or breaker blown at the fuse box / breaker panel?  
Is there a power failure?  
Is the air filter blocked?  
Is anything blocking the outlet for the hot air?  
Is the flue blocked?

Warm air does not flow when the burner lights.



The fan is started automatically after a short delay.  
This is to allow the heat exchanger to warm up, helping to avoid cold draughts.

Smoke or strange smells are produced on the first trial light up after installation.



This is caused by grease or oil and dust on the heat exchanger and will stop after a short time.

Sharp clicking noises at ignition



This is simply expansion noise from the heat exchanger.

### ■ During Combustion:

Clicking noise when the thermostat operates.



This is the sound of the solenoid gas valves opening and closing.

Unit is not heating room.



Is the air filter blocked?  
Is the set temperature high enough?  
Is the warm air outlet blocked by anything?  
Are the doors and windows of the room closed?  
Was the appliance correctly sized for the space?

Air filter is blocked or the louvers are blocked or obstructed.



Allow heater to cool, clean air filter, operate again.

Heater will not re-ignite after overheating.



Even after unit has cooled down, the heater does not ignite again. Repair is necessary.  
Contact a qualified / authorized service provider.

### ■ When the unit is turned off.

Convection fan continues to run after turning OFF.



This is to remove the residual heat from the heat exchanger. The fan will stop when the heater cools down.

### ■ Other Points:

Steam is discharged from the flue terminal .



High efficiency appliances tend to discharge water vapor on cold days. This is normal.

Unit shuts off without apparent reason.



Check whether filters are blocked. Dirty filters will cause the heater to overheat.

## Fault Codes

If there is a malfunction the appliance may shut down as a safety precaution and display a fault code to assist in diagnosing the problem. The fault code will flash in the display on the control panel. When making a service call, this code will assist with diagnosing the fault.

You may be able to clear the fault code by turning the heater off and then on again. If the fault code remains or returns on the next operation, contact Rinnai or your nearest service agent and arrange for a service call.

CODE DISPLAYED	FAULT	REMEDY
11 [1]	Ignition Failure	Check that gas is turned ON. Check that the vent termination is not blocked. Refer to the Restart Function explanation. Service call if repeated.
14	Overheat	Clean filter. Service call if repeated. [2]
16	Room Overheat	Ensure that room temperature is less than 104°F (40°C).
31	Room Temperature Sensor Faulty	Service call.
32		
33	Overheat Temperature Sensor Faulty	Service call.
34		
49	Sensor Breakdown	Service call.
53	Sparker Failure	Service call.
61	Combustion Fan Failure	Service call.
62	Convection Fan Failure	Service call.
70	Faulty ON/OFF Switch or Faulty "Set back" Switch	Service call.
71	Faulty Solenoids	Service call.
72	Faulty Flame Rod	Service call.
73	Communication Error	Service call.
99	Flue Block	Check around the flue terminal for blockage. [3]

[1]Only this code is dim.

[2]If the fusible link needs replacement, it must be done by a qualified service agency. In addition, the cause of the overheat needs to be determined. The fusible link is a one use safety device that breaks to shut off the appliance.

[3]Remove any obstructions. The flue needs to be kept clear to expel exhaust gases. If the appliance fails to operate contact a qualified service agency.

## Restart Function

If there is a power failure while the appliance is on, then the appliance will start automatically when the power is restored.

If the appliance fails to ignite, the appliance will attempt ignition after 1 hour. The “Ignition Failure” fault code, 11, will appear during that hour and disappears after a successful ignition. If ignition fails again, then the fault code will remain and another attempt to ignite will occur in 1 hour. The fault code is not stored in the fault code history.

If the flame is extinguished during forced combustion then the appliance will attempt ignition after 1 hour. The “Ignition Failure” fault code, 11, will appear during that hour and disappears after a successful ignition. Forced combustion takes place for about 15 seconds before ignition. After this time, the temperature control logic controls the combustion.

If the flame is extinguished (burner combustion failure) while the temperature control logic is operating the appliance, then the appliance will immediately attempt ignition. No fault code will appear.

## Troubleshooting

Cause \ Problem	No ON indicator	Burner doesn't ignite	Unusual combustion	Combustion stops during operation	Smell of gas	Noisy ignition	Takes too long to warm the room.	Remedy
Not Plugged In	●	●						Plug In
Power Failure	●	●		●				Push On/Off button to attempt restart after power is restored.
(Initial Installation) Air In Gas Pipe		●						Purge air (Installer)
Gas Filter Blocked		●	●				●	Service Call
Miss Ignition	●	●						Service Call
Flue terminal obstructed			●	●		●		Clear obstruction
Flue manifold not connected					●	●		Service Call
Louver obstructed				●			●	Clear obstruction
Air filter blocked				●			●	Clean filter
Gas Escape					●			Service Call
Child Lock Set		●						Cancel Child Lock
Gas turned off at meter, tank, or valve.		●						Turn gas on
ON Timer is set		●						Cancel “ON” Timer or push override button

# Installation Instructions

## General Instructions

### **WARNING**

Do not use substitute materials.

Use only parts certified with the appliance.

- A qualified service technician should install the appliance and inspect it before use.
- If you move, check the gas type in your new area. The local gas authority will be able to advise on local regulations.
- The installation must conform with local codes or, in the absence of local codes, with the *National Fuel Gas Code, ANSI Z223.1/NFPA 54*, or the *Natural Gas and Propane Installation Code, CSA B149.1*.
- A manufactured home (USA only) or mobile home OEM installation must conform with the *Manufactured Home Construction and Safety Standard, Title 24 CFR, Part 3280*, or, when such a standard is not applicable, the standard for *Manufactured Home Installations, ANSI/NCSCBS A225.1*, or the standard for *Gas Equipped Recreational Vehicles and Mobile Housing, CSA Z240.4*.
- The appliance, when installed, must be electrically grounded in accordance with local codes or, in the absence of local codes, with the *National Electrical Code, ANSI/NFPA 70*, or the *Canadian Electrical Code, CSA C22.1*.
- Appliance input ratings are based on sea level operation and need not be changed for operation up to 2000 ft (610 m) elevation. For operation at elevations above 2000 ft (610 m), follow the procedure in the section, Adjust Gas Pressure Settings.
- The appliance and its appliance main gas valve must be disconnected from the gas supply piping system during any pressure testing of that system at test pressures in excess of 1/2 psi (3.5 kPa).
- The appliance must be isolated from the gas supply piping system by closing its equipment shut off valve during any pressure testing of the gas supply piping system at test pressures equal to or less than 1/2 psi (3.5 kPa).
- If the flooring is carpet, tile, or other combustible material other than wood, then the appliance must be installed on a metal or wood panel extending the full width and depth of the appliance.
- Rinnai suggests that a dedicated electrical circuit with a 120V AC, 60 Hz, 10 amp power source be used.
- This appliance discharges a large volume of warm air next to the floor. Any particles in the air such as cigarette smoke could cause discoloration in carpet. The warm air flow could discolor nylon carpets containing dyes or vinyl surfaces. To prevent discoloration of the floor covering a mat may be placed under the appliance which extends about 30 inches (750 mm) in front of it. (Wood is included in the shipping container that can be cut to size and used if needed.)
- This appliance is not designed to be built in.
- This appliance is only for use with the type of gas indicated on the rating plate. This appliance is not convertible for use with other gases unless a certified kit is used. If a conversion of the unit is needed, conversions must be performed by a qualified service provider at the owner's expense.
- **Follow the Adjust Gas Pressure Settings (page 28) and confirm that the correct code is used for your gas type and altitude.**
- This appliance must not be connected to a chimney flue serving a separate solid-fuel burning appliance.
- Two 1/8 inch test plugs are provided for testing of manifold differential pressure. They are located on the modulating gas valve and on the burner manifold.
- The appliance should be correctly sized for the space it is required to heat. It is recommended that an industry standard BTU Heat Loss Calculation be conducted to determine the proper sizing.
- Follow the installation instructions and those in *Care and Maintenance* for adequate combustion and ventilation air.
- The flow of combustion and ventilation air shall not be obstructed.
- Clearances to access the appliance during servicing are 2 inches (50 mm) from the sides, 40 inches (1 m) from the front, and 9 inches (225 mm) from the top.
- Locate the heater where outdoor air does not affect the room air thermistor. Otherwise, the sensible temperature control feature will be affected.

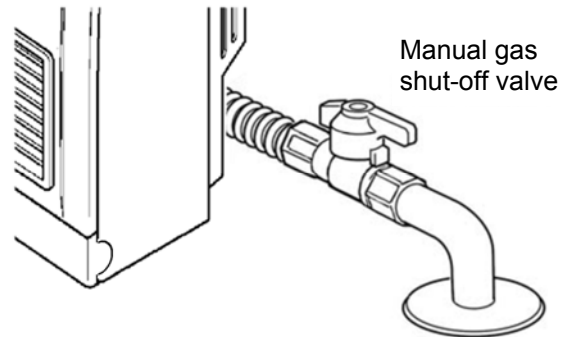
### **NOTICE**

If installation is at a location above 2001 ft (611 m), then follow the Adjust Gas Pressure Settings section.

If installation is at or below 2000 ft (610 m) then the pressure settings do not need to be adjusted.

## Gas Connection

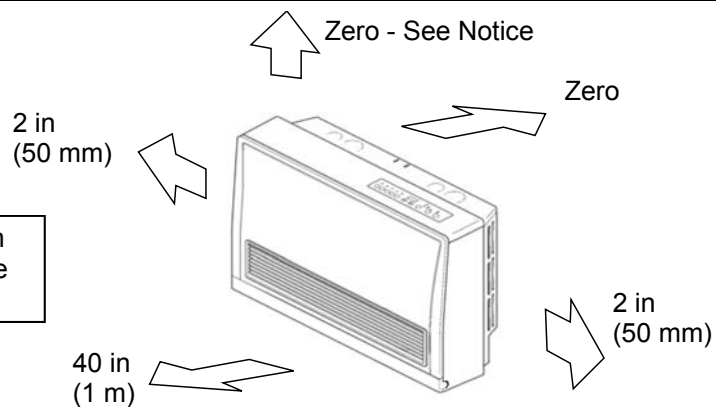
- The gas supply line shall be gas tight, sized and so installed as to provide a supply of a gas sufficient to meet the maximum demand of the heater without loss of pressure.
- A shut off valve and appliance connector valve should be installed in the upstream of the gas line to permit servicing.
- Flexible pipe and any appliance connector valve used for gas piping shall be types approved by nationally recognized agencies.
- Any compound used on the threaded joint of the gas piping shall be a type which resists the action of liquefied petroleum gas (propane / LPG).
- After completion of gas pipe connections all joints including the heater must be checked for gas tightness by means of leak detector solution, soap and water, or an equivalent nonflammable solution, as applicable. (Since some leak test solutions, including soap and water, may cause corrosion or stress cracking, the piping shall be rinsed with water after testing, unless it has been determined that the leak test solution is non-corrosive.)
- Check the gas supply pressure immediately upstream at a location provided by the gas company. Supplied gas pressure must be within the limits shown in the Specifications section.
- Refer to an approved pipe sizing chart if in doubt about the size of the gas line.
- Install the provided manual gas shut-off valve so that it can be accessed for easy operation. Do not conceal manual cut-off valve behind back spacer.



## Clearances to Combustibles

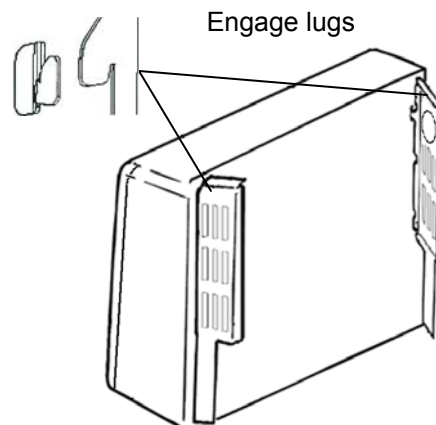
When determining where to install the appliance the clearances to combustibles shown in the figure must be followed. Also refer to the Safety Behaviors and Practices section.

**NOTICE** 9 in (225 mm) are necessary from the top of the appliance to remove the filter for cleaning



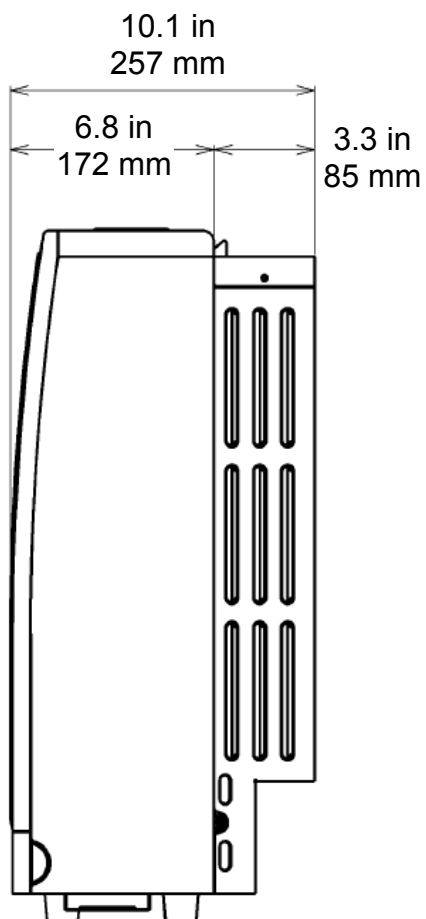
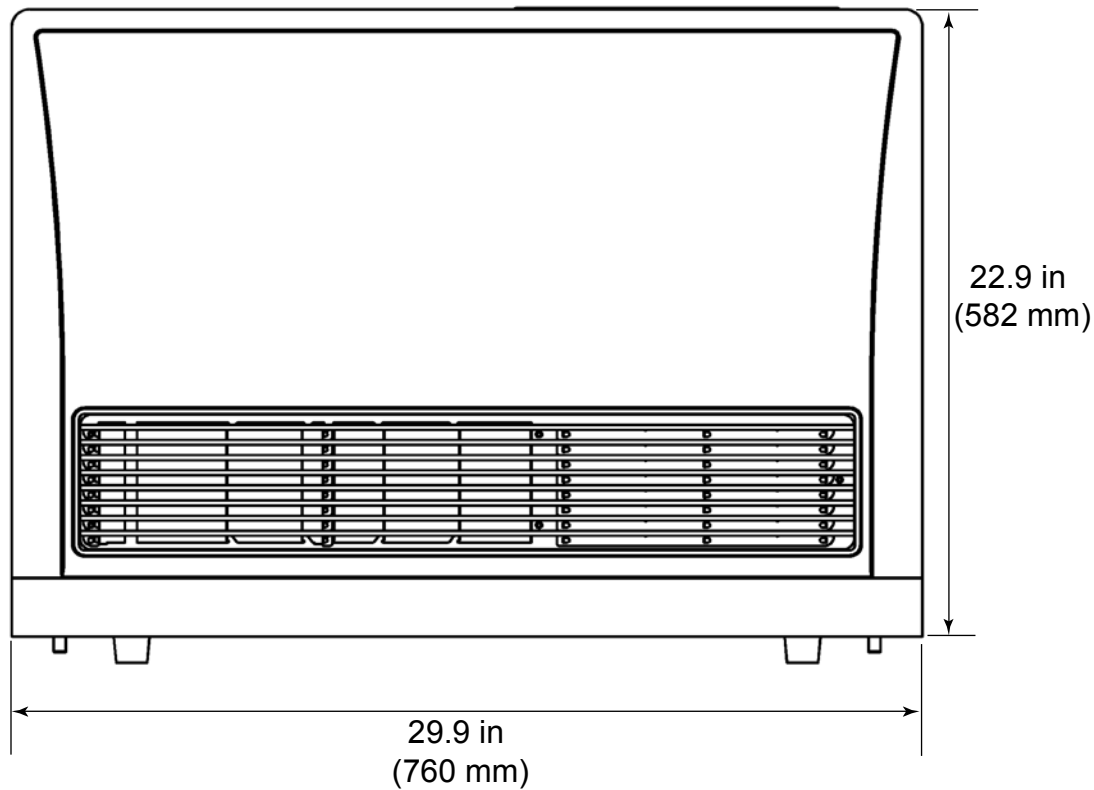
## Attach Back Covers (Sides Only)

Attach back covers as shown.





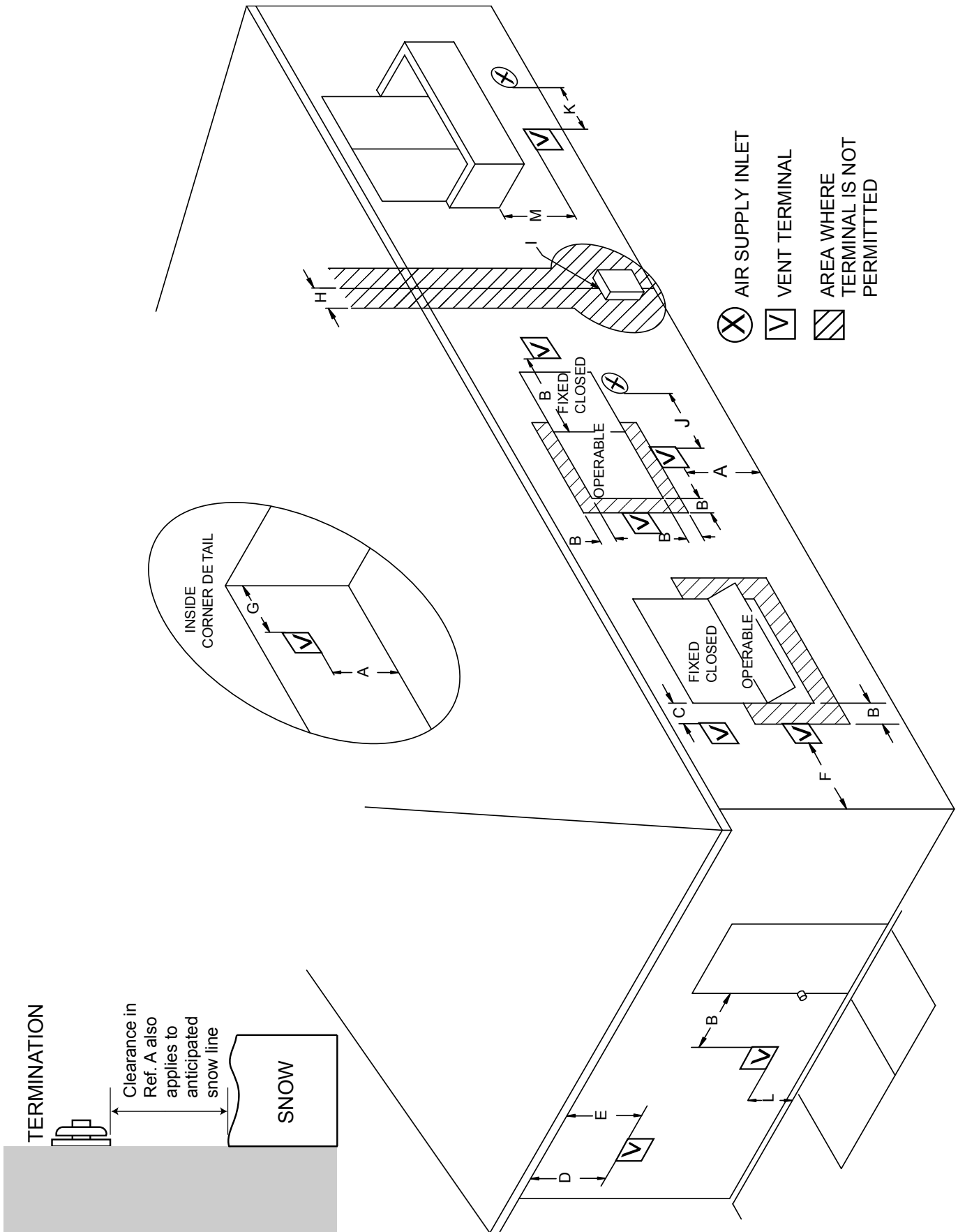
## Dimensions



### NOTICE

A full size template is provided on the cardboard packaging.

DO NOT DISCARD until installation is completed.



## Flue Terminal Clearances

Ref	Description	Canadian Installations	US Installations
A	Clearance above grade, veranda, porch, deck, or balcony. (Take into account the anticipated snow line)	12 inches (30 cm)	12 inches (30 cm)
B	Clearance to window or door that may be opened	6 inches (15 cm) for appliances $\leq$ 10,000 BTUh; 12 inches (30 cm) for appliances $>$ 10,000 BTUh and $\leq$ 100,000 BTUh, 36 inches (91 cm) for appliances $>$ 100,000 BTUh	6 inches (15 cm) for appliances $\leq$ 10,000 BTUh; 9 inches (23 cm) for appliances $>$ 10,000 BTUh and $\leq$ 50,000 BTUh, 12 inches (30 cm) for appliances $>$ 50,000 BTUh
C	Clearance to permanently closed window	*	*
D	Vertical clearance to ventilated soffit, located above the terminal within a horizontal distance of 2 feet (61 cm) from the center line of the terminal	*	*
E	Clearance to unventilated soffit	*	*
F	Clearance to outside corner	*	*
G	Clearance to inside corner	20 inches (50 cm)	20 inches (50 cm)
H	Clearance to each side of center line extended above meter/regulator assembly	3 feet (91 cm) within a height 15 feet (4.5 m) above the meter/regulator assembly	*
I	Clearance to service regulator vent outlet	3 feet (91 cm)	*
J	Clearance to nonmechanical air supply inlet to building or the combustion air inlet to any other appliance	6 inches (15 cm) for appliances $\leq$ 10,000 BTUh; 12 inches (30 cm) for appliances $>$ 10,000 BTUh and $\leq$ 100,000 BTUh, 36 inches (91 cm) for appliances $>$ 100,000 BTUh	6 inches (15 cm) for appliances $\leq$ 10,000 BTUh; 9 inches (23 cm) for appliances $>$ 10,000 BTUh and $\leq$ 50,000 BTUh, 12 inches (30 cm) for appliances $>$ 50,000 BTUh
K	Clearance to a mechanical air supply inlet	6 feet (1.83 m)	3 feet (91 cm) above if within 10 feet (3 m) horizontally
L	Clearance above paved sidewalk or paved driveway located on public property	7 feet (2.13 m) ①	*
M	Clearance under veranda, porch, deck, or balcony	12 inches (30 cm) to non-flammables ② 24 inches (60 cm) to flammables ②	12 inches (30 cm) to non-flammables ② 24 inches (60 cm) to flammables ②

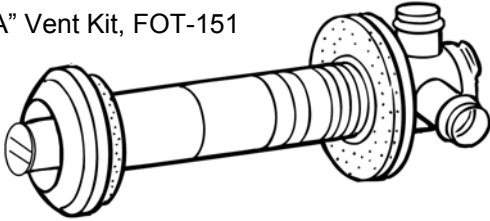
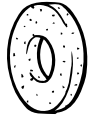
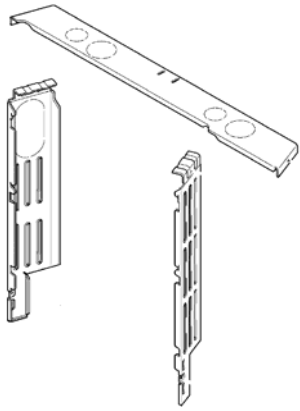


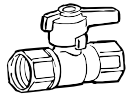





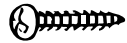


① A vent shall not terminate directly above a sidewalk or paved driveway that is located between two single family dwellings and serves both dwellings.

② Permitted only if veranda, porch, deck, or balcony is fully open on a minimum of two sides beneath the floor.

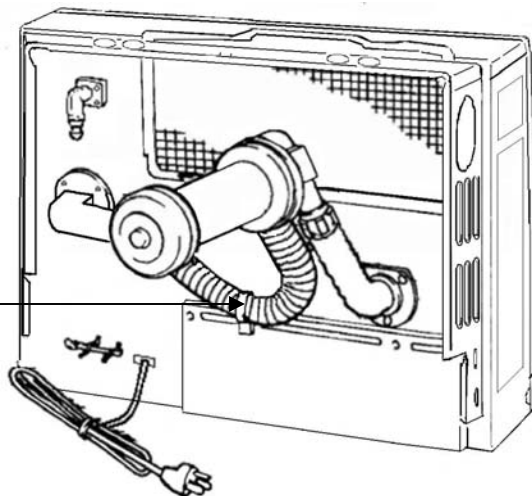
\*For clearances not specified in *ANSI Z223.1/NFPA 54* or *CSA B149.1*, clearances are in accordance with local installation codes and the requirements of the gas supplier.

# Installation Parts

The following items are included with the appliance:

Flue Manifold .....1 "A" Vent Kit, FOT-151 		Spare rubber seal .....1 ('A' Flue units only)  (For weatherboard installations)		
Back Spacer Set 	1	Pipe Stopper A 	1	
		Ring 	1	
		Manual Valve Set 	1	
		Plastic tie for air inlet 	1	
Owner's Manual		1	Plastic tie* (L=250mm) 	1
Screw (M4) 	For Back Spacer Set 4	Screw (M4) 	For Flue Manifold 3	
Screw (M4) 	For Spacer Bracket 4	Wood Screw (M4.8x 32) 	Wall Bracket Screws 5	
Wall Bracket 	1	Spacer Bracket 	1	

\* This plastic tie should be located here



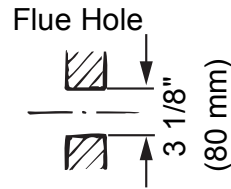
## Drilling Flue Hole

Ensure that there are no gas or water lines, or electrical circuits in the wall location where the flue hole is to be drilled.

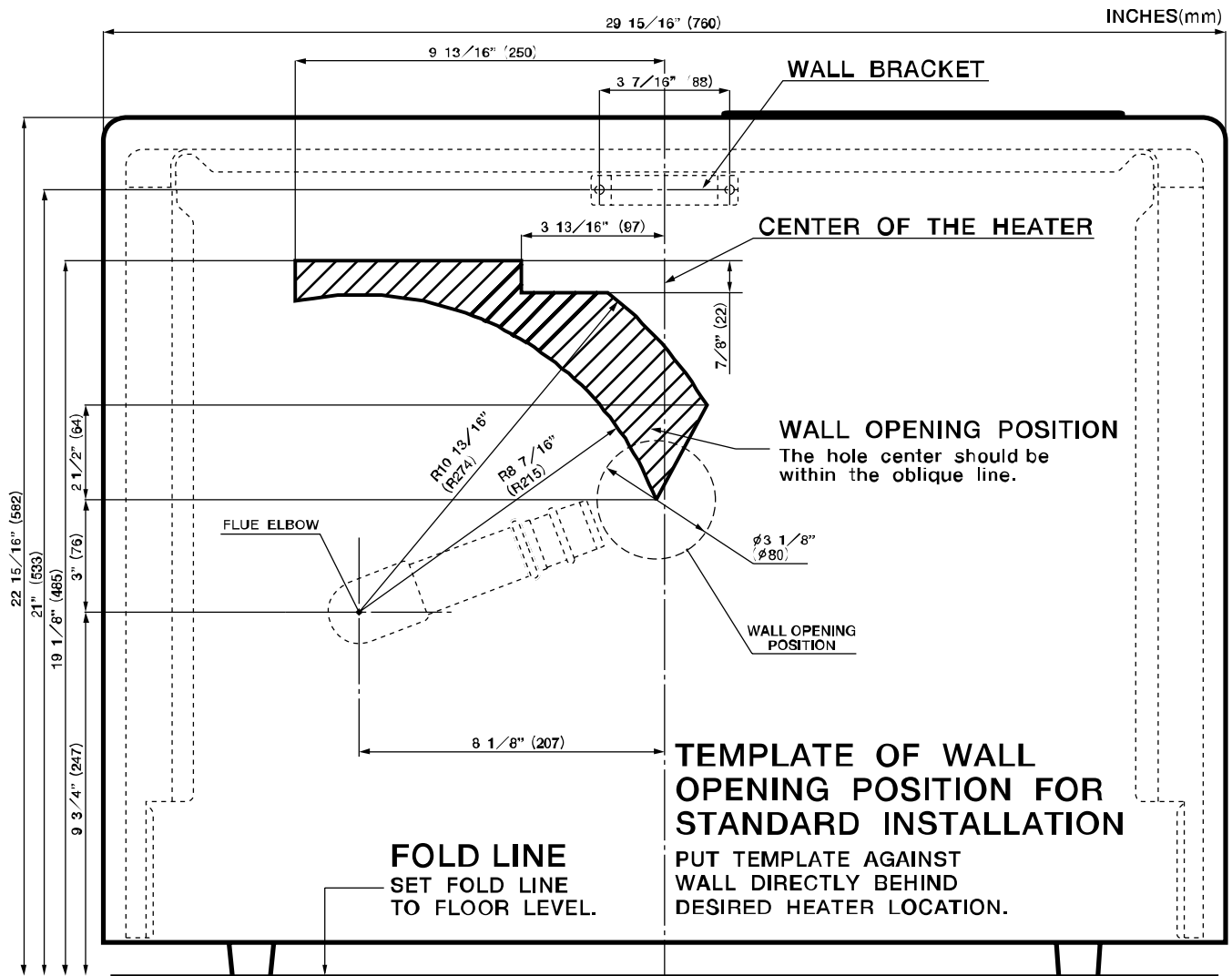
Drill the flue hole using a 3 1/8 inch (80 mm) drill. The center of the hole must be located anywhere within the shaded area, unless extension kits are used. See diagram.

For weatherboard walls, drill through the center of the weatherboard from the outside first and then through the plasterboard. A template is provided.

For installation without using extension kits, the configuration of the flue manifold, air intake hose, and exhaust slide pipe should be as shown when installation is completed. The shaded area shows where the flue manifold can be located.



<b>NOTICE</b>	Use a template (included) to determine allowable location of the flue hole.



Configuration viewed from behind the appliance.

## Flue Manifold Installation

- The flue manifold must exhaust to the outside. Do not exhaust into other rooms.
- The flue manifold is not designed to be positioned under floors or below the heater.
- The termination cannot be vertical.
- This appliance can only be used with one of the five types of Rinnai flue kits. The flue kits and their dimensions are listed on the previous page.
- Refer to the Flue Terminal Clearances section.

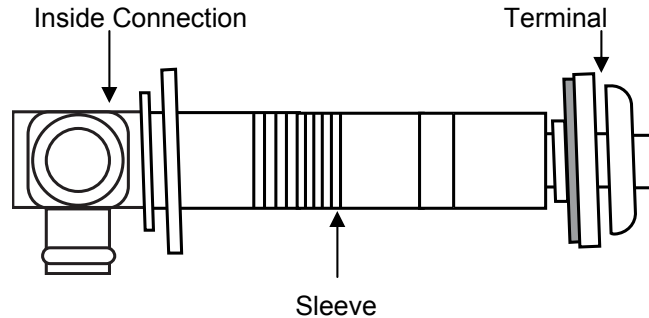
### 1. Disassemble the flue manifold

The flue consists of 3 parts:

- sleeve
- inside connection
- outside terminal

Disassemble the flue manifold by first pulling out the inside connection. To remove the outer terminal pull and release the two internal ties and then pull out the outer terminal.

Clearance to combustibles for the sleeve and flanges is zero inches.



### 2. Adjust the sleeve length

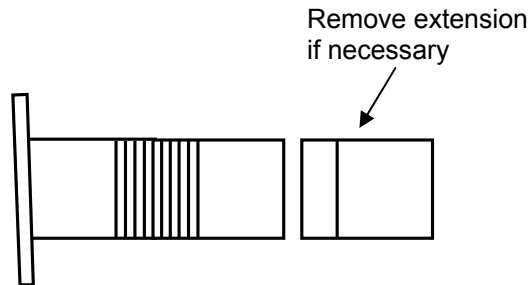
Measure wall thickness through previously drilled 3 1/8 inch (80 mm) hole.

The end of the sleeve should protrude 3/16 - 3/8 inch (5-10 mm) from the outside wall.

The sleeve is threaded for adjustment. Adjust the sleeve length to wall thickness plus 3/16 - 3/8 inch (5-10 mm).

NOTE: Do not extend beyond the red line.

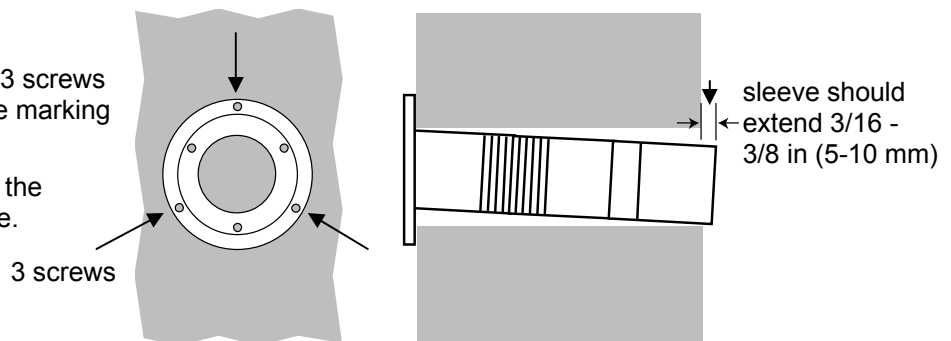
For other than the "S" type flue manifold, if a shorter length is necessary an extension can be removed. Cut the outer plastic laminate (with a utility knife or similar) and remove the extension. The metal should not be cut.



### 3. Attach the sleeve

Attach to the inside wall using 3 screws arranging the flange so that the marking "TOP" is at the top.

The flange is offset 2° to allow the condensate drain to the outside.

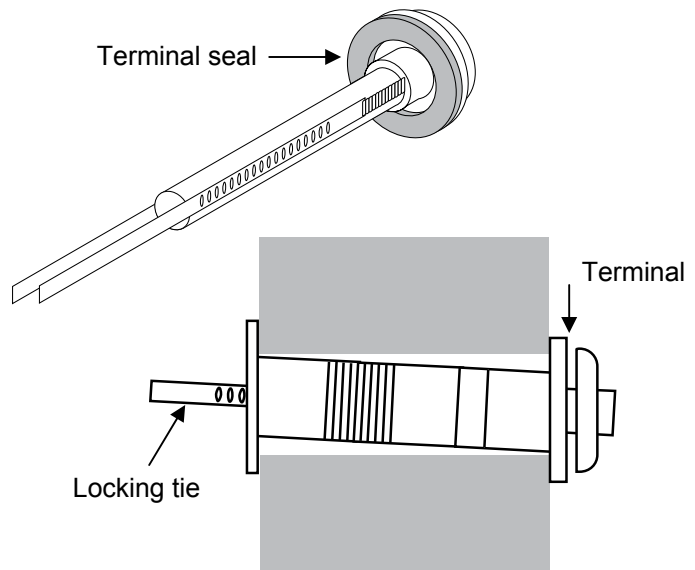


## Flue Manifold Installation

### 4. Install the Terminal

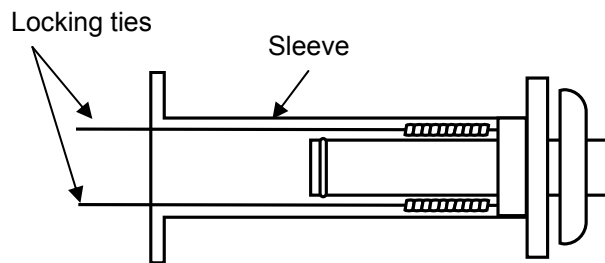
Check that the terminal seal is in place. For weatherboard walls, add the second seal next to the terminal seal to compensate for weather board angle.

From the outside insert the terminal into the sleeve with the marking "TOP" at the top. The left hand side locking tie should be marked "LEFT".



### 5. Lock the ties

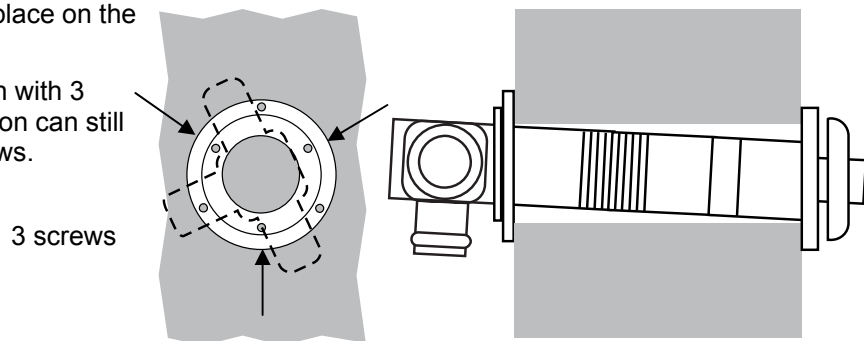
Pulling hard on the left and right hand ties, clip the ties over the notches inside the sleeve. You should be able to pull the ties 2 or 3 notches past the starting point. Cut the ties, leaving about 3/4 inch (20 mm) past the notch. Bend the ties back into the sleeve and parallel to the wall.



### 6. Insert Inside Connection Assembly

Push the assembly into the terminal tube, ensuring that the seal is in place on the inner tube.

Attach the inside connection with 3 screws. The inner connection can still be turned to install the screws.

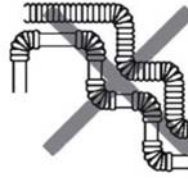


## Extension Kit Installation

If necessary, extension kits are available to extend the exhaust line and air intake hose between the manifold and the appliance.

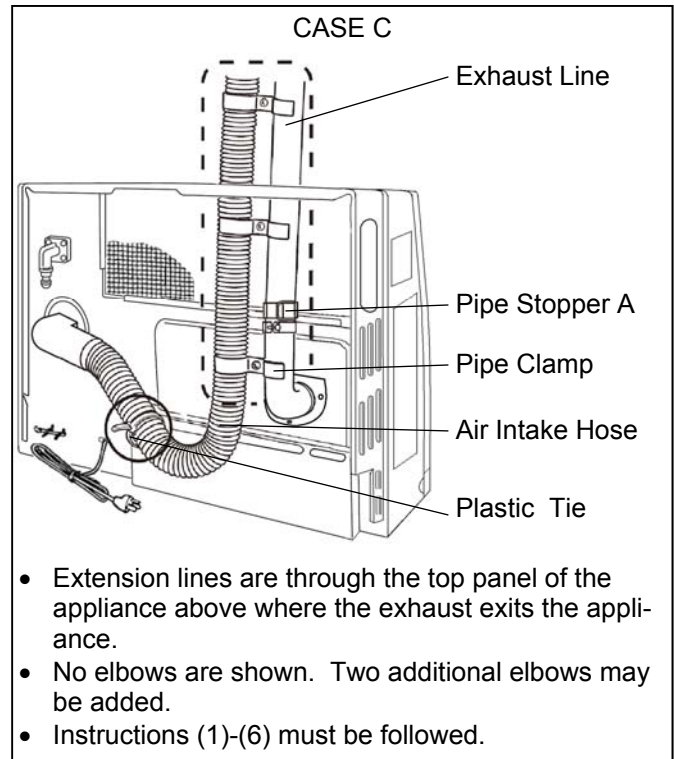
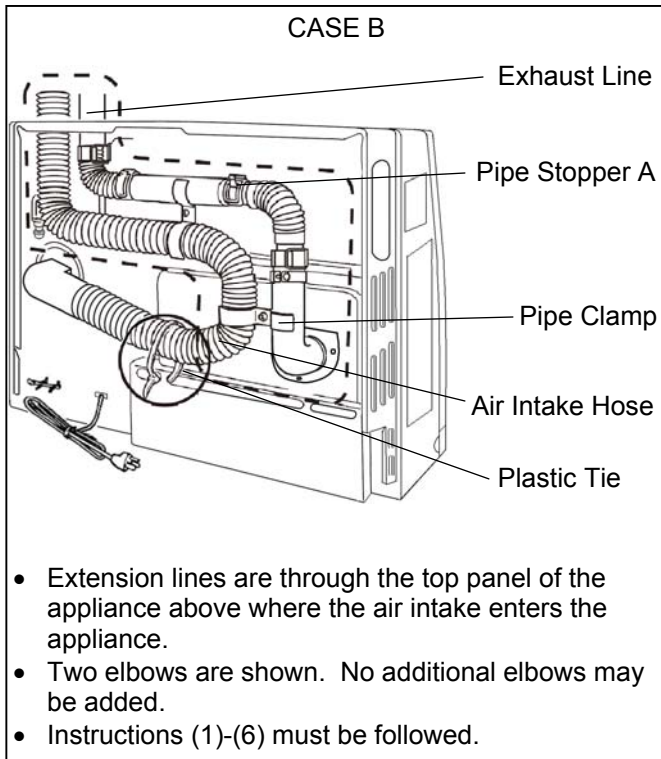
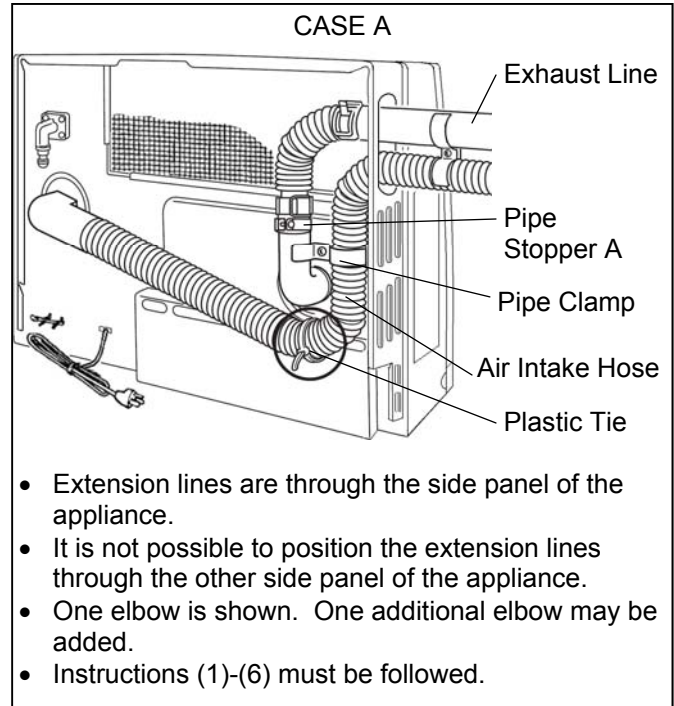
- (1) The maximum vent length is 13 feet (4 m) with 2 bends. The bent pipe attached to the appliance does not count toward the max limit of 2 bends.
- (2) Maximum vertical length allowed is 10 feet (3 m).
- (3) If the extension is longer than 10 feet (3 m), the condensate may overflow the condensation pan. Therefore, extension exceeding this length should drain to the outside and sloped 3° downward.
- (4) Do not allow any low points or sagging in the exhaust line. Otherwise, condensate may block the exhaust and affect combustion.
- (5) Vent extensions installed in unconditioned air space must be insulated with high temperature insulation and must be accessible.
- (6) Vent extensions must not be concealed per NFPA 54 and must be accessible allowing inspection and repair. Decorative covers are available from Rinnai.

These figures show the 3 possible ways that the extension exhaust line and air intake hose may be directed away from the appliance. All 3 views are from behind the appliance. **For your configuration, position the air intake hose as shown.**



### INCORRECT

- Too many bends (limit is 2)
- Air intake hose is above exhaust pipe





## Extension Kit Installation

**CAUTION** Use the pipe stoppers, connectors, clamps, and screws according to these instructions in order to ensure no leakage of exhaust gases.

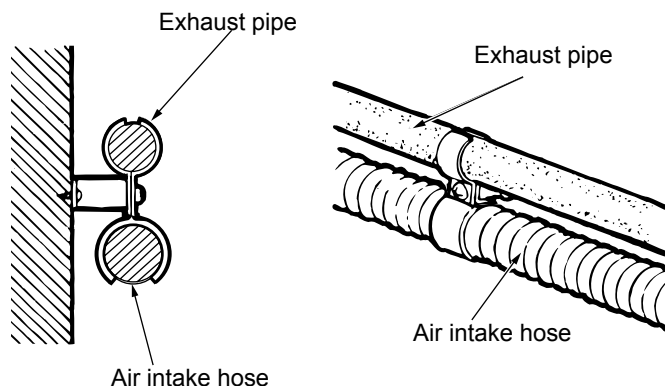
### Clearances

exhaust pipe to combustibles	1 inch (25.4 mm)
exhaust pipe to non-combustibles	zero

### Clamps

Both the exhaust line and air intake hose are supported by clamps which are attached to the wall. A wall fixture can be used to offset the clamp from the wall. Use Screw B to attach the wall fixture to the wall. If the wall fixture is not used then use Screw A and the nut to attach the clamp to the wall.

The air intake hose should always be underneath the exhaust line so that in case the air intake hose sags it will not come into contact with the exhaust line.



### Installing the Exhaust Line

The exhaust line is connected between the bent pipe at the rear of the heater and the exhaust port on the flue manifold.

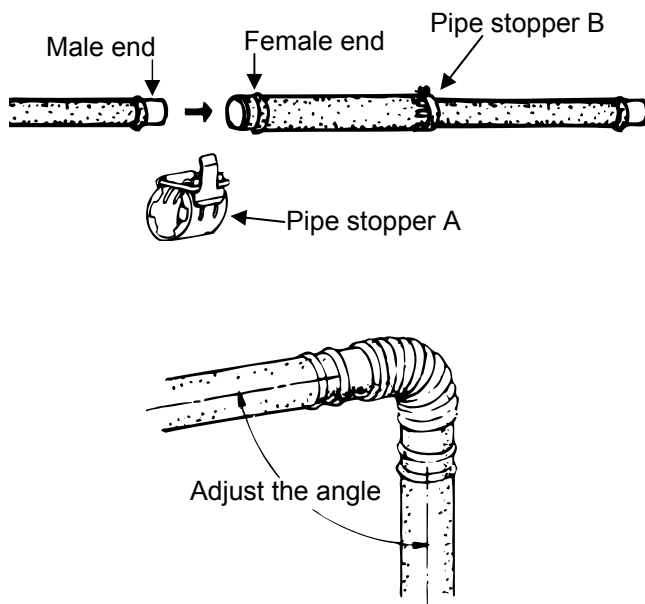
To connect exhaust pipes with other straight pipes or bends, fit the male end into the female end. Use pipe stopper A to clamp the connection.

Use pipe stopper B to fix the length on the adjustable exhaust pipes. Do not extend these pipes beyond the red line.

Do not cut the exhaust pipe. Use the adjustable pipes if necessary.

To bend the elbow, insert exhaust pipes into both ends for additional leverage. Bend to desired angle.

Do not straighten the bent pipe attached to the appliance.



### Connecting the Air Intake Hose

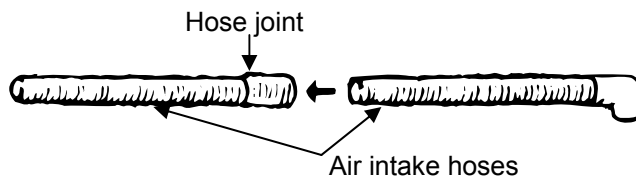
The air intake hose is connected between the air connection at the rear of the heater and the air intake port on the flue manifold.

Push the air intake hose onto the flue manifold and secure with the plastic cable tie.

Join air intake hoses by screwing the hose joint half of its length into the air intake hose and then screwing another air intake hose into the hose joint.

The lengths of the air intake hose and the exhaust pipe must be the same in order for the appliance to operate properly. The hose can be cut to the required length. Deburr all rough edges. Do not cut the hose attached to the appliance.

Support the air intake hose with pipe clamps.



**NOTICE** Do not cut the intake hose. Cutting the intake hose may result in noise.

# Extension Kit Installation

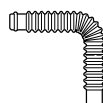
## Extension Kits and Parts



① EXHAUST PIPE (ADJUSTABLE)

② EXHAUST PIPE (NON ADJUSTABLE)

③ AIR INTAKE HOSE



④ BENT ELBOW

⑤ LONG BENT ELBOW

⑥ HOSE JOINT

⑦ PIPE STOPPER A

⑧ PIPE STOPPER B



⑨ PIPE CLAMP

⑩ WALL-FIXTURE

⑪ NUT

⑫ SCREW A

⑬ SCREW B

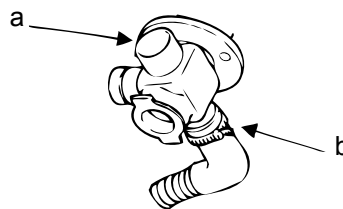
Item	Description	FOT-201	FOT-219	FOT-220	FOT-221	FOT-158	FOT-190
1	Exhaust Pipe (adjustable) 11.4-20.3 in (290-515 mm)		1				
1	Exhaust Pipe (adjustable) 21.0-39.6 in (533-1005 mm)			1	1		
2	Exhaust Pipe - 40 in (1016 mm)				1		
3	Air Intake Hose - 29.5 in (750 mm)	1	1				
3	Air Intake Hose - 49.2 in (1.25 m)			1			
3	Air Intake Hose - 90.6 in (2.3 m)				1		
4	Bent Elbow					1	
5	Long Bent Elbow	1					1
6	Hose Joint	1	1	1	1		
7	Pipe Stopper A	1	1	1	2	1	1
8	Pipe Stopper B		1	1	1		
9	Pipe Clamp		2 sets	3 sets	4 sets		
10	Wall Fixture		2	3	4		
11	Nut		2	3	4		
12	Screw A		2	3	4		
13	Screw B		4	6	8		

## Connecting the Appliance

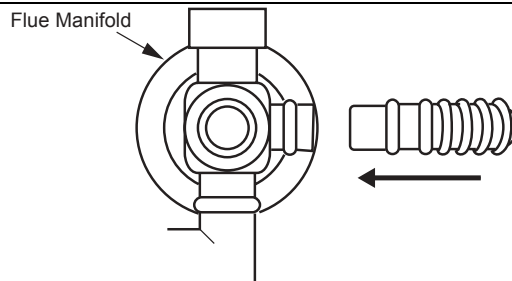
1. Attach the air inlet hose to the flue manifold on either inlet position "a" or "b".

The plastic tie should be tight over the sleeve.

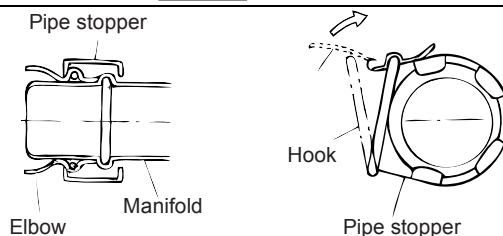
The unused inlet is plugged with the rubber cap supplied on the manifold.



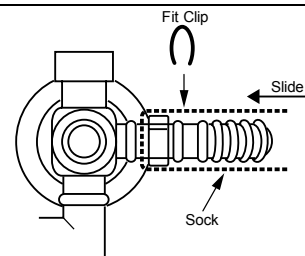
2. Connect the flue elbow to the manifold while moving the appliance into position.



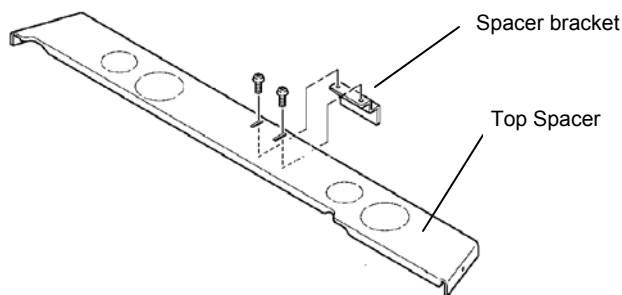
3. Fit the pipe stopper over the connection between the flue elbow and the manifold. Engage the hook and rotate it until it snaps against the body of the clamp.



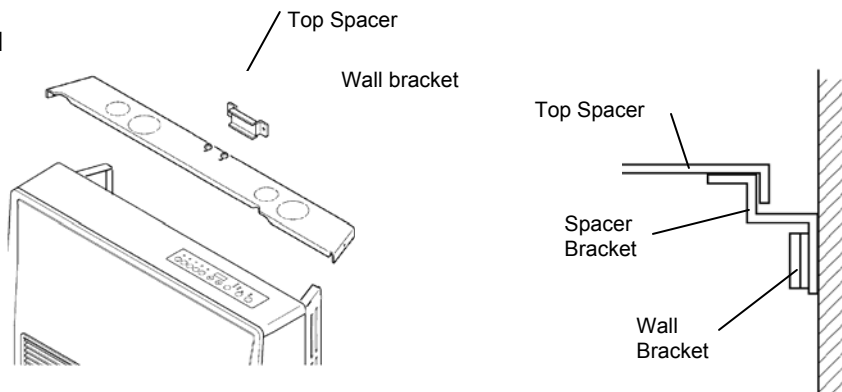
4. Slide the insulation sleeve up to the flue manifold and slip the securing clip over the sleeve as shown.



5. Install the bracket on the rear of the top spacer by tightening 2 screws.



6. Install the wall bracket with two screws. Attach the heater to the wall bracket with 2 screws.



## Adjust Gas Pressure Settings

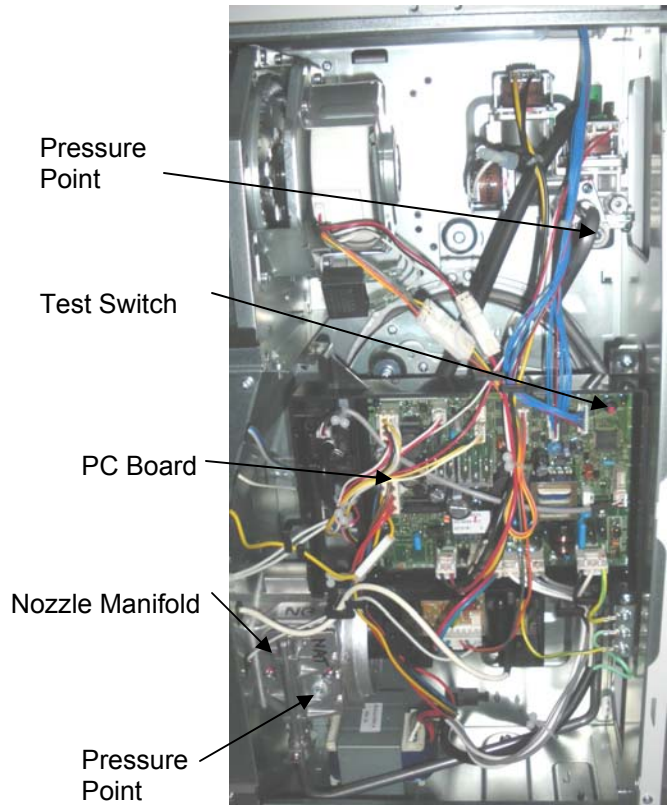
### ⚠ CAUTION ⚡

Do not touch any other areas on the PC board besides the switches while power is supplied to the appliance. Parts of the PC board are supplied with 120 volts AC.

### ⚠ CAUTION ⚡

Do not touch the areas at or near the exhaust. These areas become very hot and could cause burns.

1. Turn off the gas and the power supply.
2. Remove the 5 screws that hold the louver assembly and front panel. Lift the panel straight up and then remove it.
3. Remove two pressure point screws (1/8 NPT tap) with 3/16 Allen wrench and attach the manometer to both pressure points. Both pressure points must be used in order to measure the differential pressure. Ensure that the manometer is properly calibrated.
4. Turn on the gas and power supply to the appliance. (Press the "Set back" button after turning on the power supply.) With the unit in the off position, press the test switch at the top of PC board until it beeps.
5. Select the correct code for gas type and altitude using ▲ and ▼ buttons. Refer to the table below.



	Natural Gas				Propane Gas			
Code	A1 / A5	A2 / A6	A3 / A7	A4 / A8	L1 / L5	L2 / L6	L3 / L7	L4 / L8
Altitude	0-2000 ft 0-610 m	2001-5200 ft 611-1585 m	5201-7700 ft 1586-2347 m	7701-10200 ft 2348-3109 m	0-2000 ft 0-610 m	2001-5200 ft 611-1585 m	5201-7700 ft 1586-2347 m	7701-10200 ft 2348-3109 m
<b>EX17C</b>								
Manifold test pressure - W.C. <b>Low</b>	0.44 in (11 mm)	0.48 in (12 mm)	0.54 in (14 mm)	0.60 in (15 mm)	0.68 in (17 mm)	0.74 in (19 mm)	0.82 in (21 mm)	0.92 in (23 mm)
Manifold test pressure - W.C. <b>High</b>	1.6 in (40 mm)	1.4 in (35 mm)	1.2 in (32 mm)	1.1 in (29 mm)	2.7 in (69 mm)	2.4 in (61 mm)	2.2 in (55 mm)	2.0 in (50 mm)
<b>EX22C</b>								
Manifold test pressure - W.C. <b>Low</b>	0.44 in (11 mm)	0.48 in (12 mm)	0.54 in (14 mm)	0.60 in (15 mm)	0.68 in (17 mm)	0.74 in (19 mm)	0.82 in (21 mm)	0.92 in (23 mm)
Manifold test pressure - W.C. <b>High</b>	2.6 in (65 mm)	2.2 in (57 mm)	2.0 in (52 mm)	1.8 in (47 mm)	4.0 in (101 mm)	3.5 in (89 mm)	3.1 in (80 mm)	2.9 in (72 mm)

## Adjust Gas Pressure Settings

6. Press the test switch twice to record the gas type code into memory. .
7. Press the ON/OFF button to operate the appliance.
8. Press the test switch twice. The LED will display "PL" indicating low fire mode.
9. Compare the pressure reading on the manometer to the desired manifold test pressure (low) for your gas type and altitude. If necessary adjust the low fire pressure using the ▲ and ▼ buttons.
10. Press the test switch. The LED will display "PH" indicating high fire mode.
11. Compare the pressure reading on the manometer to the desired manifold test pressure (high) for your gas type and altitude. If necessary adjust the high fire pressure using the ▲ and ▼ buttons.
12. Press the ON/OFF button again. The LED display turns blank and the appliance returns to the normal OFF mode.
13. Remove manometer and install Allen head screws. Operate the unit and
  - check the normal operating sequence
  - visually inspect the flame
  - check for gas leaks at the test points

### Normal Operating Sequence

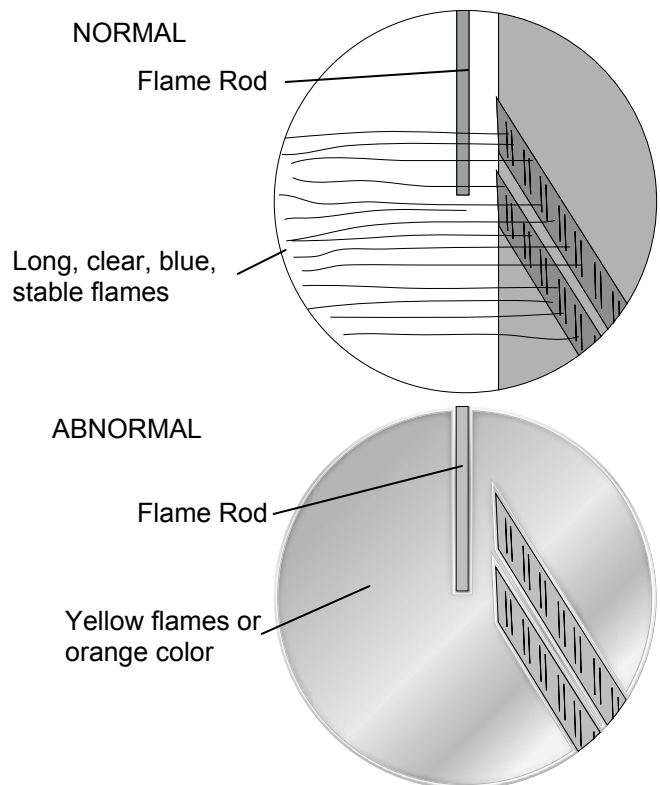
When you press the ON/OFF button, the LED display will illuminate, the combustion fan will begin to run, and the spark will ignite the main burner.

This heater has an automatic ignition system. When the main burner has lit, the combustion lamp will glow red, and the spark will stop.

### Visual Inspection of Flame

Check that the burner flames are operating normally. The flame can be seen through the circular window.

When operating normally the burner flame should appear as long, clear, blue, stable, streaks. Yellow flames or an orange color is abnormal and maintenance is required.



### Final Assembly

1. Install the front panel and bottom cover.
2. If doing a gas type conversion, place the new conversion plate (label) on the front cover.


FOR YOUR SAFETY READ BEFORE OPERATING

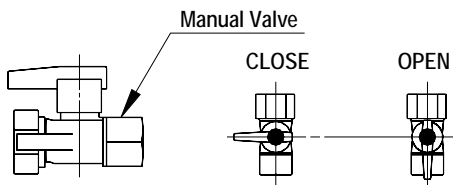
**WARNING** If you do not follow these instructions exactly, a fire or explosion may result causing property damage, personal injury or loss of life.

- A. This appliance does not have a pilot. It is equipped with an ignition device which automatically lights the burner. Do not try to light the burner by hand.
- B. **BEFORE OPERATING** smell all around the appliance area for gas. Be sure to smell next to the floor because some gas is heavier than air and will settle on the floor.  
  
WHAT TO DO IF YOU SMELL GAS
  - Do not try to light any appliance.
  - Do not touch any electric switch; do not use any phone in your building.
  - Immediately call your gas supplier from a neighbor's phone. Follow the gas supplier's instructions.
- If you cannot reach your gas supplier, call the fire department.
- C. Use only your hand to push in or turn the gas control knob. Never use tools. If the knob will not push in or turn by hand, do not try to repair it, call a qualified service technician. Force or attempted repair may result in a fire or explosion.
- D. Do not use this appliance if any part has been under water. Immediately call a qualified service technician to inspect the appliance and to replace any part of the control system and any gas control which has been under water.


OPERATING INSTRUCTIONS

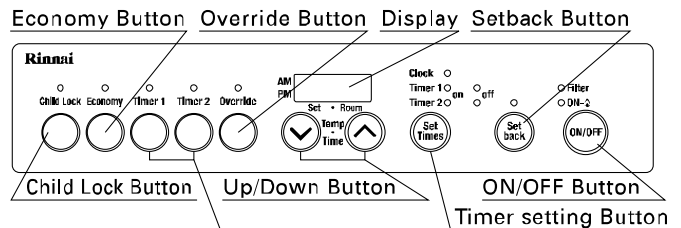
**STOP!** Read the safety information above.

1. Set the thermostat to lowest setting.
2. Turn off all electric power to the appliance using the ON/OFF button on the control panel. Locate the manual gas valve on the back side of the heater.
3. Turn the manual valve clockwise  to the full OFF position.




4. Wait five (5) minutes to clear out any gas. Then smell for gas, including near the floor. If you smell gas, STOP! Follow "B" in the safety information above. If you don't smell gas, go to the next step.

5. Turn the manual gas valve counterclockwise  to the full ON position.
6. Turn on all electric power to the appliance using the ON/OFF button.
7. Set the thermostat to desired setting.
8. Burner is lit when indicator lamp "ON" turns red.
9. "ON" indicator and fault code 11, flash when burner fails to ignite.
10. If the appliance will not operate, follow the instructions "To Turn Off Gas To Appliance" and call your service technician or gas supplier. See manual for additional information.

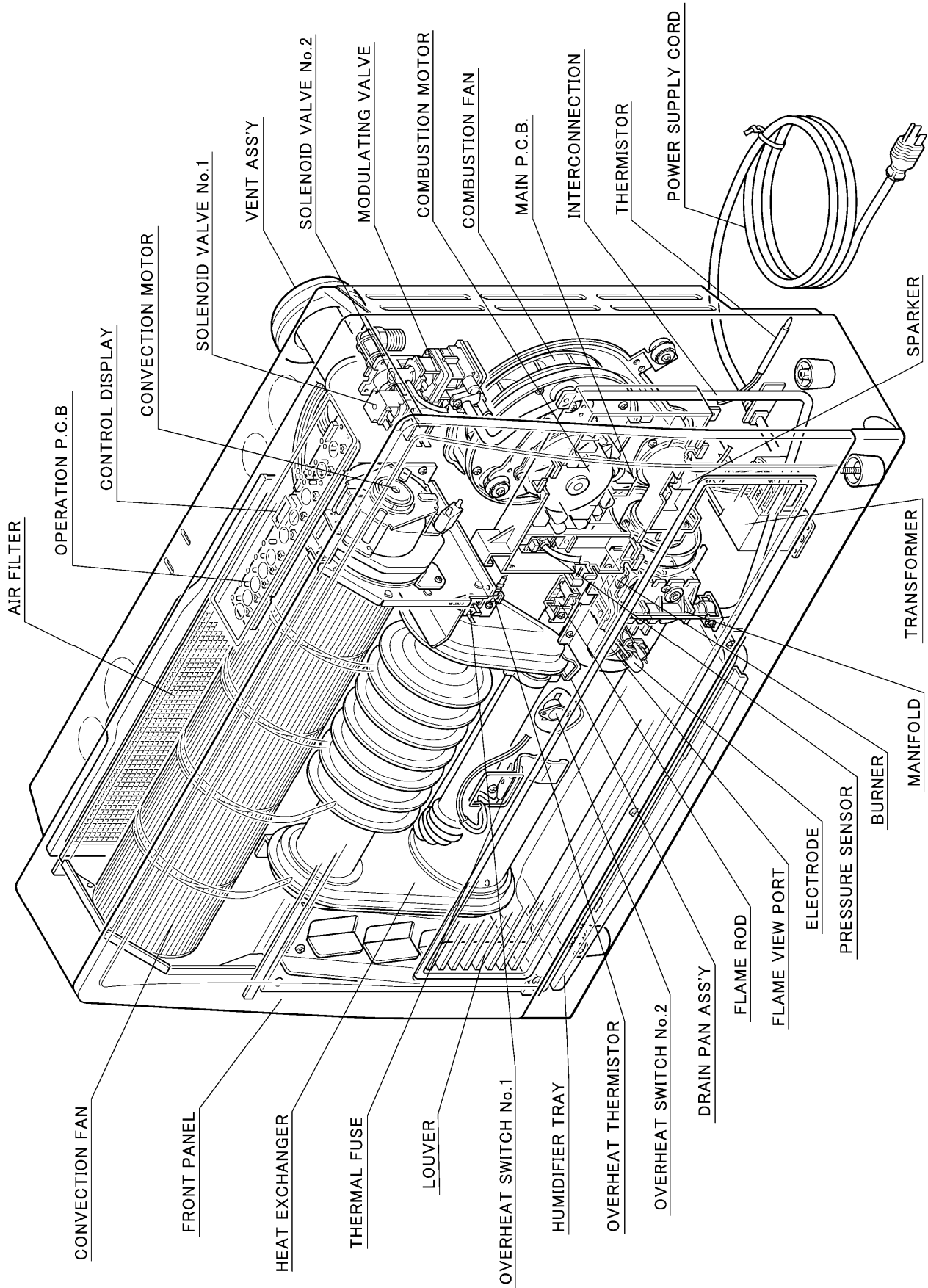


TO TURN OFF GAS TO APPLIANCE

1. Set the thermostat to lowest setting.
2. Turn off all electric power to the appliance using the ON/OFF button on the control panel.
3. Locate the manual gas valve on the side of the unit. Turn the manual valve clockwise  to the full OFF position.

**NOTE:** The fan will continue to operate until the appliance is cool. Do not turn the appliance off by unplugging it from the wall. Keep burner and control compartment clean.

# Cut-Away Diagram



# Wiring Diagram

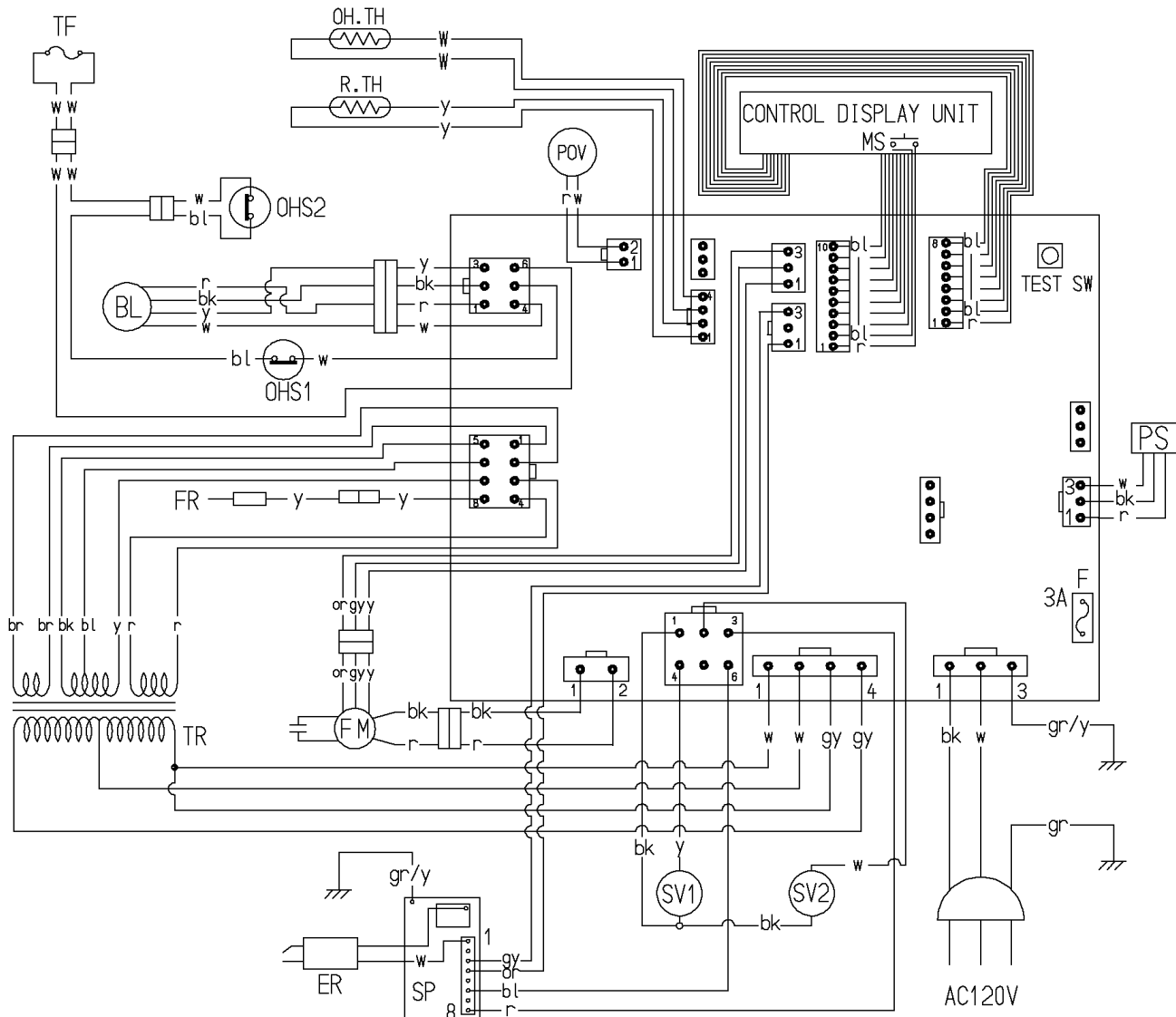
## CAUTION

Label all wires prior to disconnection when servicing controls. Wiring errors can cause improper and dangerous operation.

If any of the original wire as supplied with the appliance must be replaced, it must be replaced with type 18 AWG wire or its equivalent.

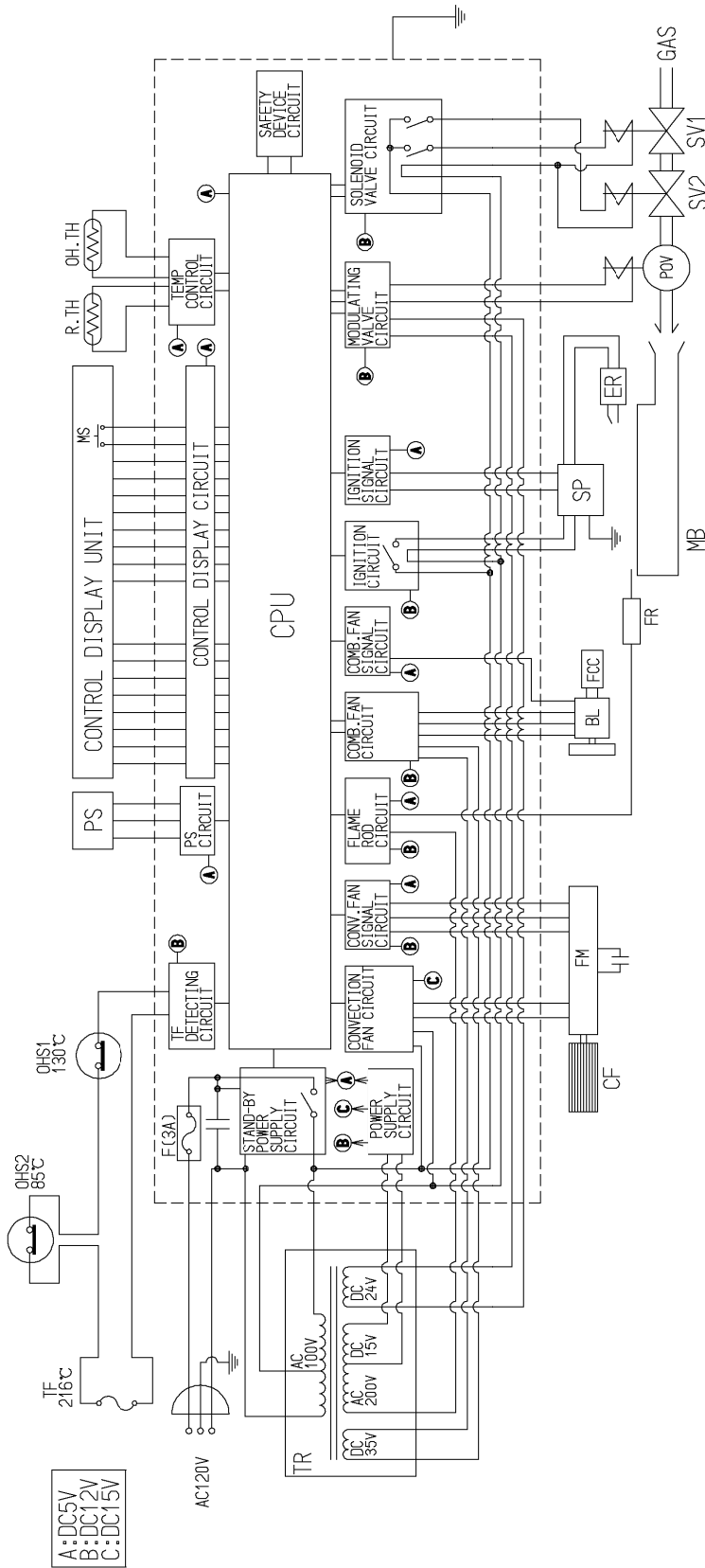
MARK	PART NAME	MARK	PART NAME
MS	MAIN SWITCH	OH.TH	OVER HEAT THERMISTOR
R.TH	THERMISTOR	OHS1, 2	OVER HEAT SWITCH 1, 2
TF	THERMAL FUSE	FM	CONVECTION FAN MOTOR
F	FUSE	SP	SPARKER
ER	ELECTRODE	SV1, 2	MAIN SOLENOID VALVE 1, 2
POV	MODULATING SOLENOID VALVE	BL	COMBUSTION FAN MOTOR
TR	TRANSFORMER	PS	PRESSURE SENSOR
FR	FLAME ROD		

CODE	COLOR
bk	black
bl	blue
gr	green
gr/y	green/yellow
r	red
w	white
y	yellow
gy	gray
or	orange
br	brown





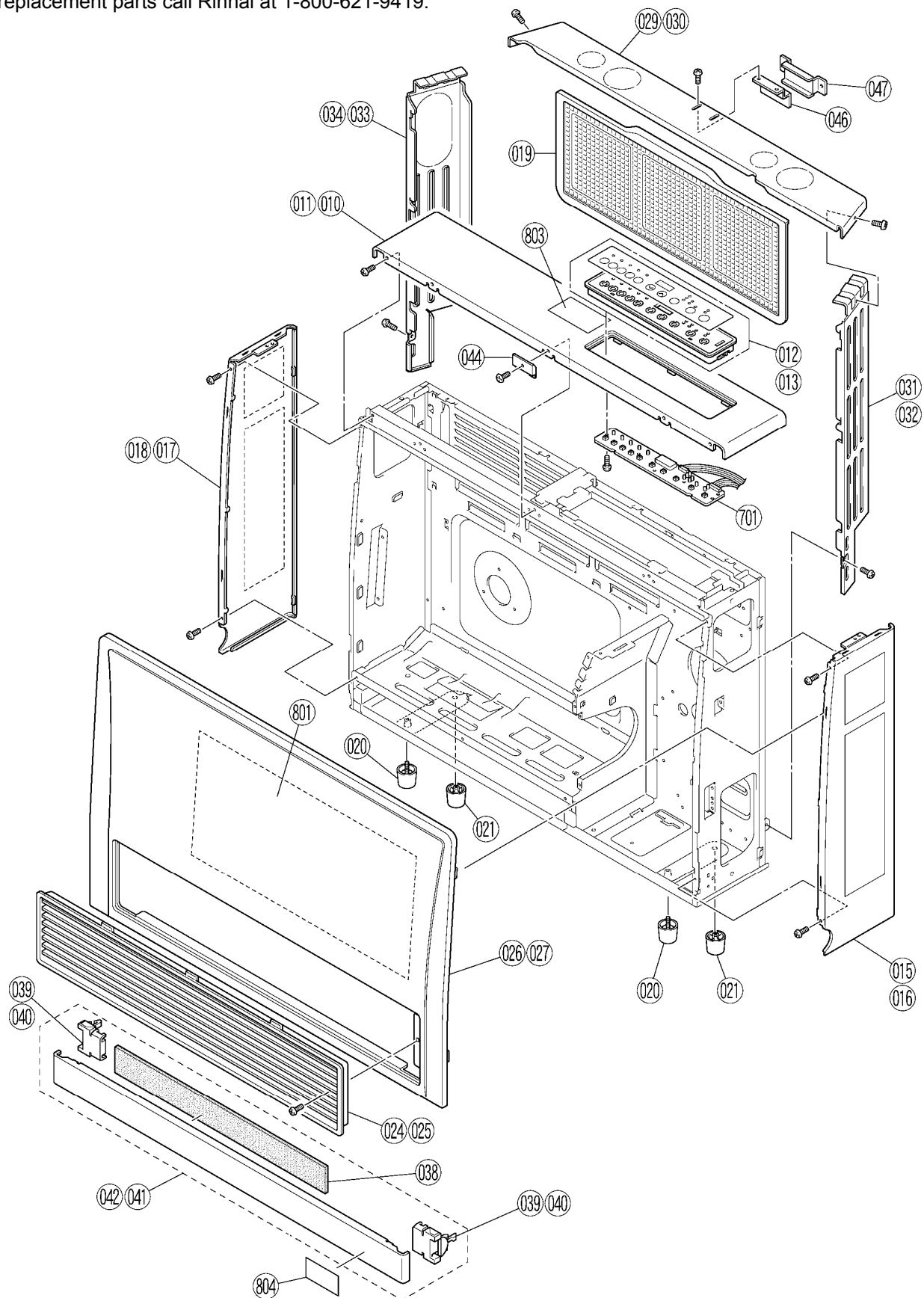
# Ladder Diagram



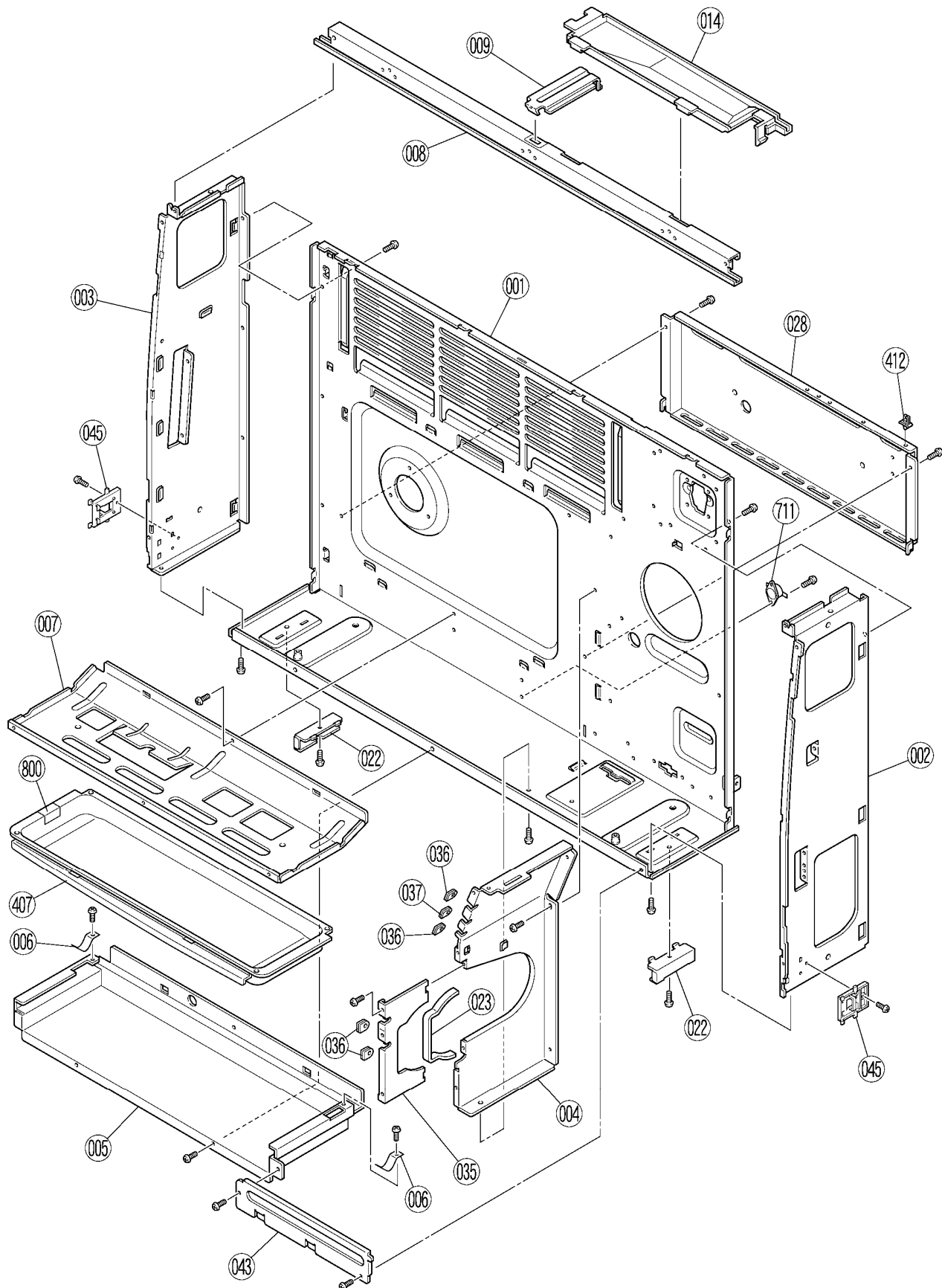
MARK	PART NAME	MARK	PART NAME
MS	MAIN SWITCH	OH.TH	OVER HEAT THERMISTOR
R.TH	THERMISTOR	OH.S1, 2	OVER HEAT SWITCH 1, 2
TF	THERMAL FUSE	FM	CONVECTION FAN MOTOR
F	FUSE	SP	SPARKER
ER	ELECTRODE	SV1, 2	MAIN SOLENOID VALVE 1, 2
POV	MODULATING SOLENOID VALVE	BL	COMBUSTION FAN MOTOR
TR	TRANSFORMER	FCC	FAN CONTROL CIRCUIT
FR	FLAME ROD	MB	MAIN BURNER
PS	PRESSURE SENSOR	CPU	CENTRAL PROCESSING UNIT
CF	CONVECTION FAN		

# Parts List

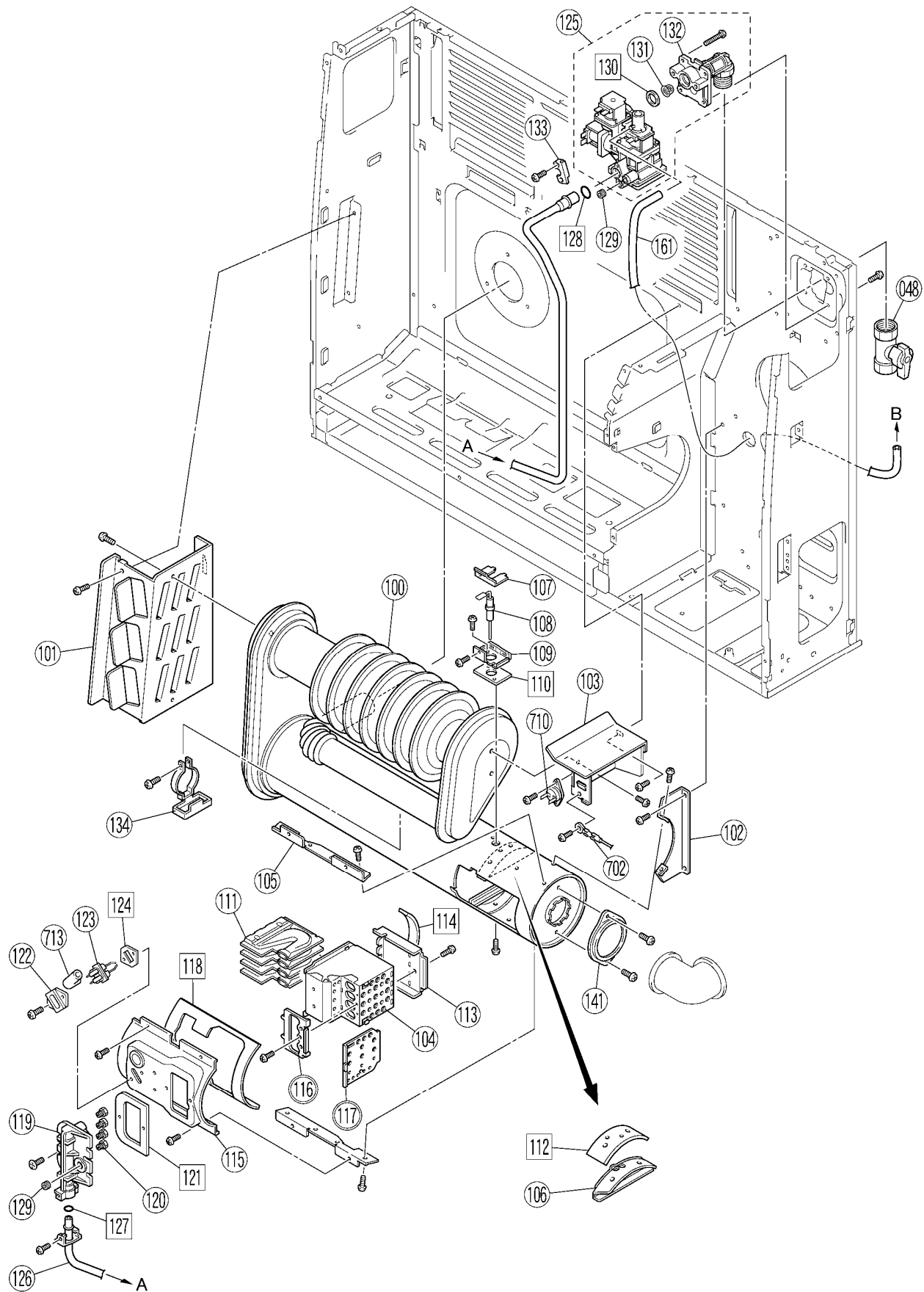
For replacement parts call Rinnai at 1-800-621-9419.



# Parts List

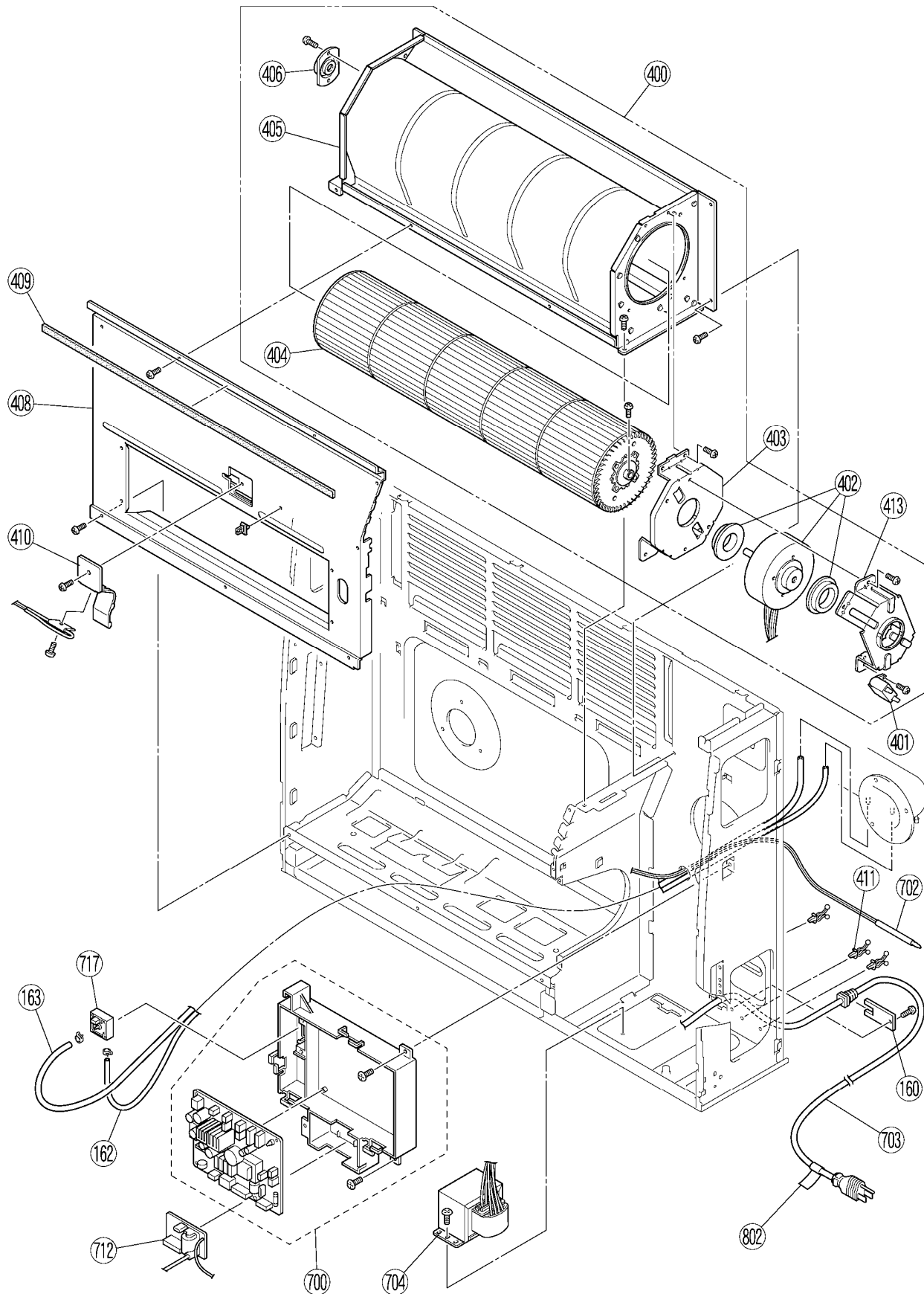


# Parts List

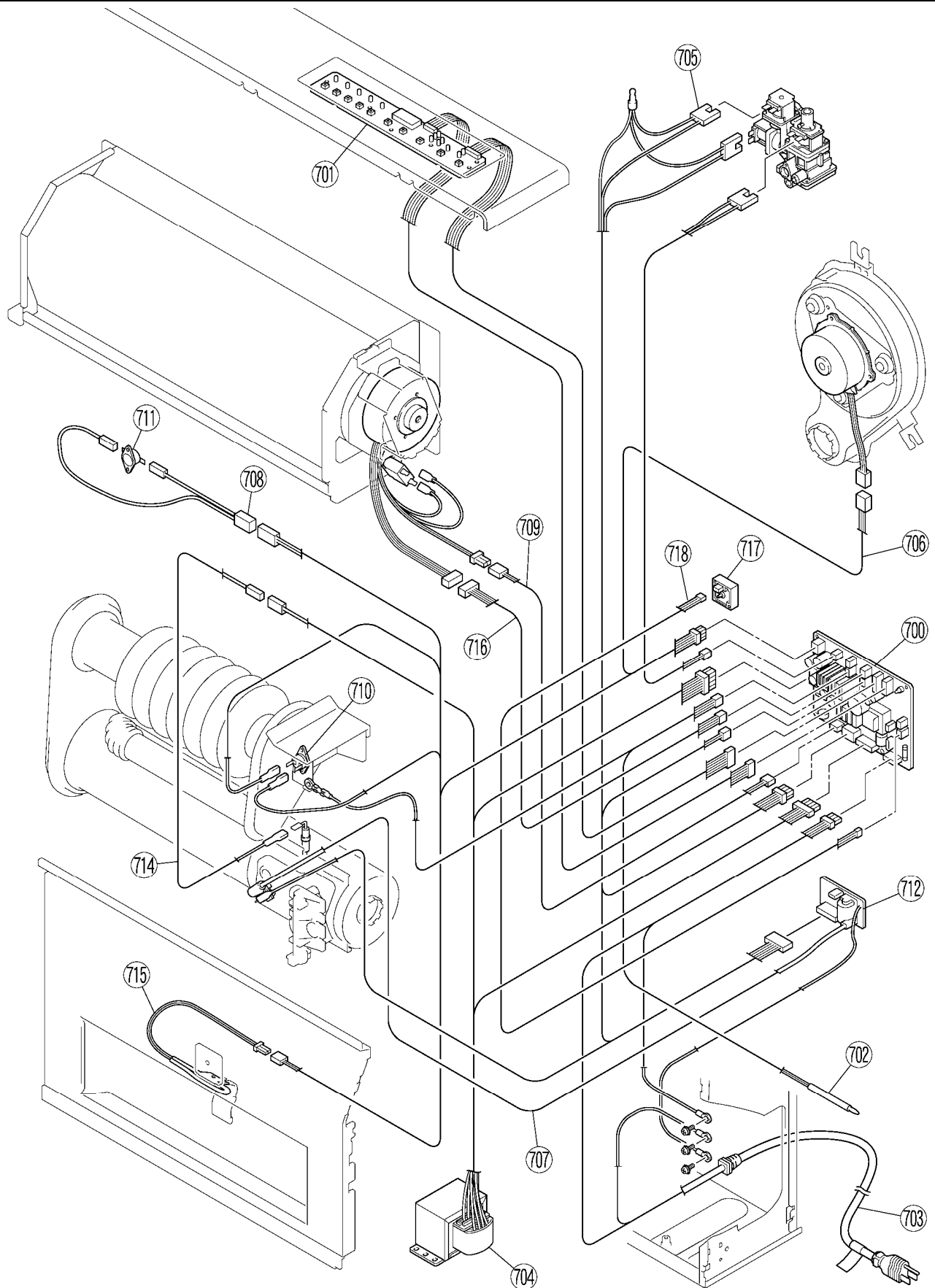




# Parts List



# Parts List



## Parts List (Liste de pieces)

Pour les pièces de rechange appelez Rinnai au 1-800-621-9419.

No	Name	Nom	Part Number (Numéro de la Pièce)	EX22C	EX22C-W (white)	EX17C
001	Rear Panel B	ensemble de panneau arrière B	209000091	1	1	1
002	Frame R	armature R	209000092	1	1	1
003	Frame L	armature L	209000092	1	1	1
004	Frame Center	centre d'armature	209000093	1	1	1
005	Bottom Plate Support	appui d'embase	209000094	1	1	1
006	Humidifier Tray Fixing Plate	support - bac d'humidificateur	209000095	2	2	2
007	Bottom Plate Upper Partition	cloison de haut d'embase	209000096	1	1	1
008	Top Plate Supporter H	soutien de plateau supérieur H	209000097	1	1	1
009	Top Plate Supporter V	soutien de plateau supérieur V	209000098	1	1	1
010	Top Plate B	plateau supérieur B	209000099	1		1
011	Top Plate	plateau supérieur	209000100		1	
012	Control Unit	boîtier de commande	205000044	1		1
013	Control Unit	boîtier de commande	205000027		1	
014	Cover	couverture	209000101	1	1	1
015	Side Panel (R) B	panneau latéral droit B	209000102	1		1
016	Side Panel (R) A	panneau latéral droit A	209000103		1	
017	Side Panel (L) B	panneau latéral gauche B	209000104	1		1
018	Side Panel (L) A	panneau latéral gauche A	209000105		1	
019	Air Filter Assy	ensemble de filtre à air	556F-462-2	1	1	1
020	Front Leg	ped	554F-422	2	2	2
021	Leg	ped	554F-417	2	2	2
022	Floor Fixing Bracket	Parenthèse de fixation de plancher	308F-454	2	2	2
023	Heat Exchanger Packing	enveloppe d'échangeur thermique	554F-421-2	1	1	1
024	Louver Assy B	ensemble de persiennes B	208000040	1		1
025	Louver Assy	ensemble de persiennes	208000041		1	
026	Front Panel B	panneau frontal B	209000106	1		1
027	Front Panel	panneau frontal	209000107		1	
028	Heat Shield Panel	panneau écran thermique	209000108	1	1	1
029	Back Spacer Top B	espaceur arrière supérieur B	209000109	1		1
030	Back Spacer Top C	espaceur arrière supérieur C	209000110		1	
031	Back Spacer (R) B	espaceur arrière droite B	209000111	1		1
032	Back Spacer (R) A	espaceur arrière droite A	209000112		1	
033	Back Spacer (L) B	panneau latéral gauche B	209000113	1		1
034	Back Spacer (L) C	panneau latéral gauche A	209000114		1	
035	Warm Air Seal Panel	panneau de fermeture d'air chaud	556F-305	1	1	1
036	Cord Packing B	emballage de corde B	AU131-236-B	1	1	1
037	Cord Packing A	emballage de corde A	AU131-236-A	1	1	1
038	Heat Insulator A	isolateur de chaleur	209000115	1	1	1
039	Lock B	verrou B	209000116	2		2
040	Lock A	verrou A	209000117		2	
041	Under Cover Total Assy B	sous l'assy de total de couverture B	209000118	1		1
042	Under Cover Total Assy	sous l'assy de total de couverture	209000119		1	
043	Guard	garde	209000120	1	1	1
044	Front Panel Bracket	support panneau frontal	209000121	1	1	1
045	Lock Bracket	support verrou	209000122	2	2	2
046	Wall Bracket	support mural	304F-9077	1	1	1



## Parts List (Liste de pieces)

No	Name	Nom	Part Number (Numéro de la Pièce)	EX22C	EX22C-W (white)	EX17C
047	Spacer Bracket	support espaceur	RHF300-152	1	1	1
048	ON-OFF Valve Assy	ensemble de vanne M/A	BRR37-244	1	1	1
100	Heat Exchanger Assy	ensemble d'échangeur thermique	208000011	1	1	1
101	Fixing Plate	plaque de fixation	209000123	1	1	1
102	Combustion Chamber Fixer	fixation de chambre de combustion	556F-215	1	1	1
103	OHS Fixer	fixation interrupteur de surchauffe	209000124	1	1	1
104	Burner Box	ensemble de boîtier de brûleur	206000024	1	1	1
105	Flange Board	plaque à bride	209000020	2	2	2
106	Seal Plate B	plaque d'étanchéité B	206000013	1	1	1
107	Flame Rod Retainer	arrêtoir - électrode de détection de flamme	209000076	1	1	1
108	Flame Rod	électrode de détection de flamme	1001F-104-2	1	1	1
109	Flame Rod Bracket	support - électrode de détection de flamme	209000074	1	1	1
110	Flame Rod Packing	garniture d'électrode de flamme	209000075	1	1	1
111	Burner Assy	ensemble de brûleur	B3A2-4X02	4	4	4
112	Seal Plate Packing	garniture de plaque d'étanchéité	206000014	1	1	1
113	Burner Box Supporter Assy	support de boîtier de brûleur	209000125	1	1	1
114	Burner Box Packing	garniture de boîtier de brûleur	556F-211	1	1	1
115	Burner Box Fitting Plate Assy	jeu pour plaque de fixation de boîtier de brûleur	206000025	1	1	1
116	Damper G	amortisseur	556F-209-7	1	1	1
117	Secondary Air Damper A	amortisseur à air secondaire	206000016	1	1	1
118	Fitting Plate Packing	garniture de plaque de fixation	206000017	1	1	1
119	Manifold	collecteur	206000038	1	1	1
120	Injector	injecteur	AU129-210 0.85	4	4	4
120	Injector	injecteur	206000018	4	4	4
121	Manifold Packing	garniture de collecteur	556F-203-2	1	1	1
122	Electrode Mounting Plate	plaque de montage d'électrode	554F-114	1	1	1
123	Electrode	électrode	205000028	1	1	1
124	Electrode Packing	garniture d'électrode	554F-147	1	1	1
125	Gas Control Assy	ensemble de commande de gaz	206000035	1	1	1
126	Interconnection Assy	ensemble d'interconnexion	208000042	1	1	1
127	O Ring	joint torique	M10B-1-8	1	1	1
128	O Ring	joint torique	M10B-1-10	1	1	1
129	Blind Screw	vis de liaison	AU39-965	2	2	2
130	Packing	garniture	209000086	1	1	1
131	Gas Filter	filtre à gaz	206000037	1	1	1
132	Gas Inlet	arrivée de gaz	431F-1110	1	1	1
133	Connecting Tube Retainer	fixation de tube de connexion	209000079	1	1	1
134	Drain Pan Assy	ensemble de bac de drainage	209000043	1	1	1
135	Air Inlet	arrivée d'air	208000012	1	1	1
136	Air Inlet Packing	garniture d'arrivée d'air	RHF300F-79	1	1	1
137	Air Intake Hose D	tuyau d'admission d'air	RHF1000-130-D	1	1	1
138	Air Inlet Elbow	coude d'arrivée d'air	RHF1000-132	1	1	1
139	Connecting Tube	tube de connexion	556F-404	1	1	1
140	Connecting Tube Fixer	fixation de tube de connexion	556F-408	1	1	1

## Parts List (Liste de pieces)

No	Name	Nom	Part Number (Numéro de la Pièce)	EX22C	EX22C-W (white)	EX17C
141	Connecting Tube Fixer	fixation de tube de connexion	208000018	1	1	1
142	Combustion Fan Casing Assy C	ensemble de carter de ventilateur de combustion	208000013	1	1	1
148	Screw For Motor	vis pour moteur	CP-30310	6	6	6
149	Cushion Rubber	coussinet caoutchouc	308F-8273	6	6	6
150	Flue Sliding Tube Assy	tube coulissant de fumée	208000043	1	1	1
151	O Ring E	joint torique E	RHF300-200-E	1	1	1
152	Cover	enveloppe	302F-1103X04	1	1	1
153	Ring	joint	302F-1206	1	1	1
154	Vent Assy	couvercle	431F-1900	1	1	1
158	Combustion Fan Motor Assy	anneau	208000044	1	1	1
159	Pipe Stopper Assembly	ensemble de ventilation	305F-0017	1	1	1
160	Power Supply Cord Bracket	support - cordon d'alimentation	RC-329-1033	1	1	1
161	Tube D	tube D	208000017	1	1	1
162	Tube E	tube E	208000045	1	1	1
163	Tube C	tube C	1004F-2052-3	1	1	1
400	Convection Fan Total Assy	ensemble de ventilateur de convection	208000046	1	1	1
401	Capacitor	condensateur	556F-259-2	1	1	1
402	Convection Motor	moteur de convection	208000047	1	1	1
403	Motor Fixing Plate	socle de moteur	209000126	1	1	1
404	Convection Fan Blade	Assemblée de pale de ventilateur de convection	208000048	1	1	1
405	Casing Assembly	enveloppe	208000049	1	1	1
406	Bearing	roulement	RC-223-74	1	1	1
407	Humidifier Tray	bac d'humidificateur	556F-309	1	1	1
408	Heat Shield Board Assy	plaque écran thermique	209000127	1	1	1
409	Seal	joint	209000128	1	1	1
410	TF Fixing Plate	support - TF	308F-313	1	1	1
411	Cable Clip	clip de câble	CP-90125-2	3	3	3
412	Wire Clip	clip de fils	CP-90107-25	2	2	2
413	Motor Bracket	support - moteur	209000129	1	1	1
700	PC Board Assembly	ensemble de carte de circuit imprimé	205000045	1	1	
700	PC Board Assembly	ensemble de carte de circuit imprimé	205000046			1
701	Control Circuit Board	circuit imprimé	205000035	1	1	1
702	Room Thermistor Assembly	thermistance de pièce	205000047	1	1	1
703	Power Supply Cord	cordon d'alimentation	205000048	1	1	1
704	Transformer	transformateur	205000049	1	1	1
705	SV IG Harness	toron d'allumeur	205000050	1	1	1
706	Motor Harness	toron de moteur	205000051	1	1	1
707	High Tension Cord	cordon haute tension	205000038	1	1	1
708	OHS Harness Assy	toron de interrupteur de surchauffe	205000052	1	1	1
709	Convection Motor Harness	toron de moteur de convection	205000032	1	1	1

## Parts List (Liste de pieces)

No	Name	Nom	Part Number (Numéro de la Pièce)	EX22C	EX22C-W (white)	EX17C
710	Overheat Switch	interrupteur de surchauffe	ES-01171	1	1	1
711	Overheat Switch	interrupteur de surchauffe	205000053	1	1	1
712	Igniter	allumeur	205000037	1	1	1
713	Sleeve	manchon	3022-0344	1	1	1
714	FR Lead	liaison FR	431F-1430	1	1	1
715	TF Harness	toron - TF	205000041	1	1	1
716	Indicator Harness	toron d'indicateur	205000031	1	1	1
717	Pressure Sensor	détecteur de pression	1004F-2051	1	1	1
718	Sensor Lead Assy	assy de fil de sonde	1004F-2053	1	1	1
800	Water Line Label	ligne de flottaison étiquette	550F-1418	1	1	1
801	Operation Label	étiquette d'opération	200000059	1	1	1
802	Power Supply Cord label	étiquette de corde d'alimentation d'énergie	431F-1860	1	1	1
803	Caution Label	étiquette d'attention	431F-1830	1	1	1
804	Caution Label	étiquette d'attention	RHF559-1240	1	1	1
808	Manual	manuel	200000058	1	1	1

## Conversion Kits (Optional) / Kits de conversion (facultatifs)

<b>Model (Modèle)</b>	<b>For converting to NG (Pour la conversion NG)</b>	<b>For converting to LPG (Pour la conversion LPG)</b>
EX17C (RHFE-434FTA)	204000035	204000039
EX22C (RHFE-559FTA) EX22C-W (RHFE-559FTA-W)	204000036	204000040

# Consumer Support

## Warranty Information

The installer is responsible for your heater's correct installation.

Please complete the information below to keep for your records:

Purchased from: \_\_\_\_\_

Address: \_\_\_\_\_ Phone: \_\_\_\_\_

\_\_\_\_\_

Date of Purchase: \_\_\_\_\_

Model No.: \_\_\_\_\_

Serial No.: \_\_\_\_\_

Installed by: \_\_\_\_\_ Installer's License No.: \_\_\_\_\_

Address: \_\_\_\_\_ Phone: \_\_\_\_\_

Date of Installation: \_\_\_\_\_

## Limited Warranty

### Gas Direct Vent Wall Furnace

#### What is covered?

This Warranty covers any defects in materials or workmanship, subject to the terms stated below. This Warranty extends to the original purchaser and subsequent transferees, but only while the product remains at the site of the original installation. This Warranty only extends through the first installation of the product and terminates if the product is moved or reinstalled at a new location.

#### How long does coverage last?

Item	Period of Coverage
Heat Exchanger	10 years from date of purchase
All Other Parts	5 years from date of purchase
Reasonable Labor	2 years from date of purchase

#### What will Rinnai do?

Rinnai will repair or replace the covered product or any part or component that is defective in materials or workmanship as set forth. Rinnai will pay reasonable labor charges associated with the repair or replacement of any such part or component. All repair parts must be genuine Rinnai parts. All repairs or replacements must be performed by an individual or servicing company that is properly trained, state qualified or licensed to do the type of repair.

## Limited Warranty - continued

---

Replacement of the product may be authorized by Rinnai only. Rinnai does not authorize any person or company to assume for it any obligation or liability in connection with the replacement of the product. If Rinnai determines that repair of a product is not possible, Rinnai will replace the product with a comparable product at Rinnai's discretion. If a component or product returned to Rinnai is found to be free of defects in material or workmanship, or damaged by improper installation or damaged during return shipping, the warranty claim for product, parts and labor may be denied.

### **How do I get service?**

You must contact a state qualified/licensed contractor or authorized service provider for the repair of a product under this Warranty. For the name of a qualified/authorized service provider please contact your place of purchase, visit the Rinnai website ([www.rinnai.us](http://www.rinnai.us)), call Rinnai at 1-800-621-9419 or write to Rinnai at 103 International Drive, Peachtree City, Georgia 30269.

Proof of purchase is required to obtain warranty service. You may show proof of purchase with a dated sales receipt, or by registering within 30 days of purchasing the product. To register your appliance, please visit [www.rinnai.us](http://www.rinnai.us). For those without internet access, please call 1-866-RINNAI1 (745-6241). Receipt of Registration by Rinnai will constitute proof-of-purchase for this product. However, Registration is not necessary in order to validate this Warranty.

### **What is not covered?**

This Warranty does not cover any failures or operating difficulties due to the following:

- accident, abuse, or misuse
- alteration
- misapplication
- force majeure
- improper installation (such as but not limited to, condensate damage, improper venting, incorrect gas type, or incorrect gas pressure)
- improper conversion (including conversions for inventory adjustment)
- improper maintenance (such as but not limited to vent blockage)
- incorrect sizing
- any other causes other than defects in materials or workmanship

This Warranty does not apply to any product whose serial number or manufacture date has been defaced.

### **Limitation on warranties**

No one is authorized to make any other warranties on behalf of Rinnai America Corporation. Except as expressly provided herein, there are no other warranties, expressed or implied, including, but not limited to warranties of merchantability or fitness for a particular purpose, which extend beyond the description of the warranty herein and further Rinnai shall not be liable for indirect, incidental, special, consequential or other similar damages that may arise, including lost profits, damage to person or property, loss of use, inconvenience, or liability arising from improper installation, service or use. Some states do not allow the exclusion or limitation of incidental or consequential damages, so the above limitation may not apply to you.

Any implied warranties of merchantability and fitness arising under state law are limited in duration to the period of coverage provided by this limited Warranty, unless the period provided by state law is less. Some states do not allow limitations on how long an implied Warranty lasts, so the above limitation may not apply to you.

This Warranty gives you specific legal rights, and you may also have other rights which vary from state to state.



Manuel d'installation et d'utilisation pour

**EX17C (RHFE-434FTA)**

**EX22C (RHFE-559FTA)**

Energysaver®



Appareils de chauffage à gaz muraux à ventilation directe

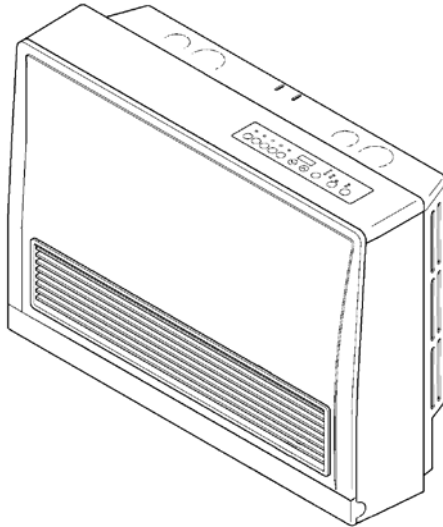


Table des matières .....	47
Sécurité du consommateur... .	48
Spécifications .....	49
Instructions d'utilisation .....	51
Instructions d'installation .....	60
Service à la clientèle .....	79

Enregistrer votre produit à  
[www.rinnairegistration.com](http://www.rinnairegistration.com)  
ou l'appel 1-866-RINNAI1 (746-6241)

**Rinnai**®



**AVERTISSEMENT : Assurez-vous de bien suivre les instructions données dans ce manuel pour réduire au minimum le risque d'incendie ou d'explosion, ou pour éviter tout dommage matériel, toute blessure ou la mort.**

- Ne pas entreposer ni utiliser d'essence ou d'autres vapeurs ou liquides inflammables à proximité de cet appareil ou de tout autre appareil.
- **QUE FAIRE SI VOUS SENTEZ UNE ODEUR DE GAZ :**
  - Ne pas tenter d'allumer d'appareil.
  - Ne toucher à aucun interrupteur ; ne pas vous servir des téléphones se trouvant dans le bâtiment.
  - Appeler immédiatement votre fournisseur de gaz depuis un voisin. Suivre les instructions du fournisseur.
  - Si on ne peut pas joindre le fournisseur, appeler le service des incendies.
- L'installation et l'entretien doivent être assurés par un installateur ou un service d'entretien qualifié ou par le fournisseur de gaz.

**INSTALLATEUR : Laissez ce manuel avec l'appareil installé.**  
**UTILISATEUR: Conservez ce manuel comme référence ultérieure.**

Cet appareil peut s'installer dans une maison ancienne déjà construite à emplacement fixe (aux USA uniquement) ou mobile, là où ce n'est pas interdit par les réglementations locales.

Cet appareil ne doit être utilisé qu'avec le type de gaz indiqué sur sa plaque signalétique. Cet appareil n'est pas convertible pour une utilisation avec d'autres gaz, sauf au moyen du montage d'un kit de conversion certifié.

## Table des matières

### Sécurité du consommateur

Définitions de sécurité .....	48
Comportements et pratiques <i>de sécurité</i> .....	48
Dispositifs de sécurité .....	49

### Spécifications

Spécifications de l'appareil.....	49, 50
Caractéristiques .....	50
Collecteur de fumée .....	50

### Instructions d'utilisation

Connaissance du nouveau chauffage.....	51
Panneau de commandes .....	52
Marche / Arrêt.....	52
Verrouillage pour les enfants.....	52
Mise à l'heure .....	53
Utilisation manuelle du chauffage .....	53
Réglage et utilisation des minuteries.....	53
Fonction de surpassement.....	54
Économie (Mode de conservation d'énergie).54	
Programmation de température minimale.....	55
Humidificateur et la direction du flux d'air.....	55
Soins et entretien .....	56
Avant d'appeler pour de l'aide.....	57
Codes de défauts .....	58
Fonction de redémarrage.....	59
Dépannage.....	59

### Instructions d'installation

Instructions générales.....	60
Connexion du gaz.....	61
Dégagement par rapport aux combustibles... 61	
Fixation des couvercles arrière (Côtés seulement) .....	61
Dégagements en sortie de cheminée .....	62, 63
Dimensions .....	64
Pièces d'installation .....	65
Perçage du trou de cheminée.....	66
Installation du collecteur de fumée .....	67, 68
Installation du kit d'extension.....	69-71
Branchement de l'appareil .....	72
Ajustage et Réglage de la Presion de Gas .....	73, 74
Instructions de mise en œuvre .....	75
Schéma en coupe .....	76
Schéma de câblage .....	77
Diagramme logique.....	78
Liste de pièces .....	34-43

### Service à la clientèle

Informations de garantie .....	79
Garantie limitée .....	79, 80

# Sécurité du consommateur

## Définitions de sécurité



Ceci est un symbole relatif à la sécurité. Il vous prévient de dangers potentiels qui peuvent blesser ou tuer, vous-même et les autres.

### DANGER

Indication d'une situation imminente dangereuse, qui, si elle n'est pas évitée, peut entraîner des blessures graves voire mortelles.

### AVERTISSEMENT

Indication d'une situation potentiellement dangereuse, qui, si elle n'est pas évitée, peut entraîner des blessures graves voire mortelles.

### ATTENTION

Indication d'une situation potentiellement dangereuse, qui si elle n'est pas évitée peut entraîner des blessures légères ou moyennes. On peut également l'utiliser pour signaler des pratiques non sûres.

## Comportements et pratiques de sécurité

### AVERTISSEMENT

- Réparations doivent être effectuées par un technicien qualifié. Consommateur ne doit pas réparer par vous-même.
- Gardez la zone autour de l'appareil dégagée et exempte de matériaux combustibles, essence et autres vapeurs et liquides inflammables.
- N'entreposez jamais de bouteilles de gaz propane liquide à l'intérieur.
- N'utilisez plus cet appareil si une quelconque partie a été immergée. Appelez immédiatement un technicien de dépannage qualifié pour l'inspecter et remplacer toute pièce du système de commande et du contrôle de gaz qui a été immergée.
- Cet appareil est équipé d'une fiche secteur à 3 broches pour votre protection contre l'électrocution, elle doit être directement branchée dans une prise secteur 3 broches correctement reliée à la terre. Il ne faut ni couper ni enlever la broche de terre de la fiche.
- Toute altération de cet appareil ou de ses commandes peut être dangereuse.
- Ne faites pas fonctionner cet appareil avec ses panneaux enlevés, fissurés ou cassés. Le remplacement des panneaux doit être fait par un dépanneur agréé ou qualifié.

### ATTENTION

- Ne bloquez pas l'évacuation de l'air chaud. Ne laissez personne dormir directement en face de l'appareil.
- Du fait de ses températures élevées, l'appareil doit être placé à l'écart du trafic et loin des meubles et tentures.
- Les enfants et les adultes doivent être au courant des dangers des surfaces brûlantes, et rester à l'écart pour éviter des brûlures ou l'inflammation de leurs vêtements.
- Les jeunes enfants doivent rester sous étroite surveillance quand ils sont dans la pièce de l'appareil.
- Des vêtements ou d'autres matières inflammables ne doivent pas être placés sur l'appareil ou à proximité.
- Tout écran ou protection de sécurité qui est enlevé pour une intervention doit être remis en place avant de redémarrer l'appareil.
- N'insérez pas d'objets étrangers au travers des persiennes.
- Ne vaporisez pas de bombe aérosol près de l'appareil quand il fonctionne. La plupart contiennent du gaz butane comme propulseur qui est inflammable.
- Ne débranchez pas l'appareil quand il est en fonctionnement ou pendant que sa ventilation est encore active.
- N'utilisez pas les mains nues pour toucher les auvents avant dus aux températures élevées qui peuvent causer des brûlures.
- Poussière empêcher l'accumulation sur le cordon d'alimentation, les capots latéraux et pièces derrière l'appliance.
- Ne pas s'asseoir sur le chauffage.
- Ne placez pas de conteneurs de liquide sur le dessus du chauffage. Déversement d'eau peut causer des dommages considérables à l'appliance et peut entraîner des chocs électriques.



## Dispositifs de sécurité

- **Surchauffe** : l'appareil se coupe automatiquement quand il atteint une température limite prédéterminée.
- **Défaut de flamme** : L'appareil se coupe automatiquement si la flamme de son brûleur est éteinte.
- **Coupure secteur** : L'appareil coupe son arrivée de gaz s'il n'a plus d'alimentation secteur.
- **Protection de surintensité** : Un fusible en verre sur le circuit imprimé protège d'une surintensité. Quand ce fusible est grillé tous les voyants indicateurs sont éteints.
- **Détection d'étincelles** : L'appareil se coupe automatiquement s'il y a des étincelles anormales à l'allumage.
- **Thermofusible** : Si le dispositif contre la surchauffe évite que la température ne monte trop haut, le thermofusible agit et coupe l'appareil.

## Spécifications

### Spécifications de l'appareil

	EX17C	EX22C
Application	Pour maison préfabriquée (USA uniquement) ou maison mobile ou installation résidentielle, convertible pour utilisation au gaz naturel ou de pétrole liquéfié, quand les mesures de conversion nécessaires ont été prises pour passer d'un gaz à l'autre. Pour exploitation commerciale. Pour l'installation de 10,200 ft (3109 m)	
Description générale	Chauffage au gaz à combustion et convection forcées, appareil à gaz avec cheminée	
Mise en marche	Électroniquement par appui sur un bouton	
Raccordement au gaz	NPT mâle 1/2 pouce	
Contrôle du gaz	Électronique	
Brûleurs	Brûleur Bunsen en acier inox	
Contrôle de température	Thermostat électronique, (Faible "Low", 60-80°F 2°F par incréments, Haut "High")	
Système d'allumage	Allumage électronique à étincelles	
Système de cheminée	La fumée doit sortir dans l'atmosphère avec les éléments de cheminée listés sur la certification de l'appareil. La garantie sera annulée si des composants non listés sont utilisés.	
Bac d'humidificateur	Capacité - 2.1 pints (1000 cc)	
Raccordement électrique	AC 120V, 60 Hz, 46 watts	AC 120V, 60 Hz, 56 watts
Poids	0.5 watt	
Niveau de bruit	57 lbs (26 kg)	
Volume de ventilation	33-38 dB	33-42 dB
AFUE Rendement	Gaz naturel: 81%      Propane: 82%	Gaz naturel: 80%      Propane: 82%

Rinnai poursuit constamment la mise à niveau et l'amélioration de ses produits. De ce fait ces spécifications sont sujettes à changement sans préavis.

Le rendement énergétique de cet appareil mesure l'efficacité thermique du produit en utilisation continue, il a été déterminé indépendamment de tout système installé.

## Spécifications de l'appareil

	Gaz naturel	Gaz propane
Pression d'alimentation en gaz min.	3.5 in (89 mm) W.C.	8.0 in (203 mm) W.C.
Pression d'alimentation en gaz max.	10.5 in (267 mm) W.C.	13.0 in (330 mm) W.C.

EX17C		
	Gaz naturel	Gaz propane
BTU par heure en entrée	Basse 8200 Haute 16700	Basse 8200 Haute 16700
BTU par heure en sortie	Basse 6560 Haute 13360	Basse 6560 Haute 13360

EX22C		
	Gaz naturel	Gaz propane
BTU par heure en entrée	Basse 8200 High 21500	Basse 8200 High 20700
BTU par heure en sortie	Basse 6560 Haute 17200	Basse 6560 Haute 16560

## Caractéristiques

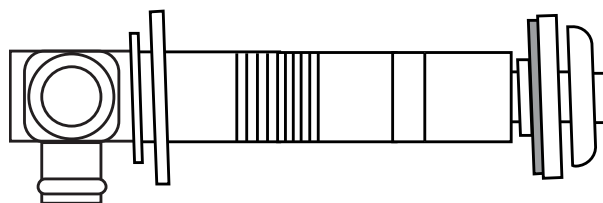
- Redémarrage automatique en cas de problème d'allumage ou de combustion
- Chauffage propre à fumée forcée
- Allumage par une touche facile à réaliser
- Thermostat Programmable
- Bouche d'air chaud au niveau du plancher (vos pieds restent au chaud)
- Verrouillage des fonctions
- Mémorisation du réglage de température ambiante
- Voyant demandant le nettoyage du filtre à air
- Réglage d'économie d'énergie
- Bac d'humidification
- Persiennes directionnelles pour flux d'air
- Ventilation directe facile à installer
- Capacité de chauffage proportionnel variable
- Chut! Fonctionnement silencieux
- Conception moderne minimisant les besoins en surface utile
- Affichage de messages de panne
- Temporisateur 1, 2
- Gradateur
- Programmation de température minimale
- Paramètres de température en Celsius ou en Fahrenheit

## Collecteur de fumée

Consultez les instructions d'installation pour la liste des pièces de la trousse d'évent.

Le kit de vent "A" est inclus avec le matériel.

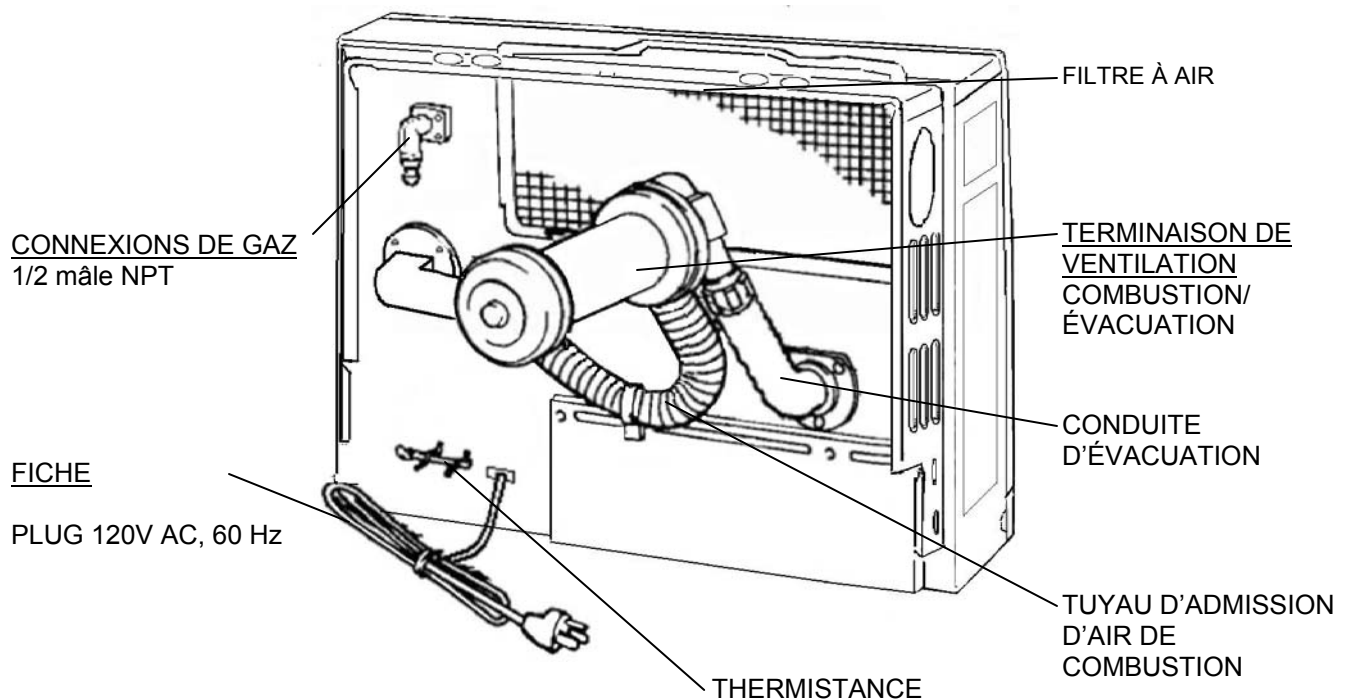
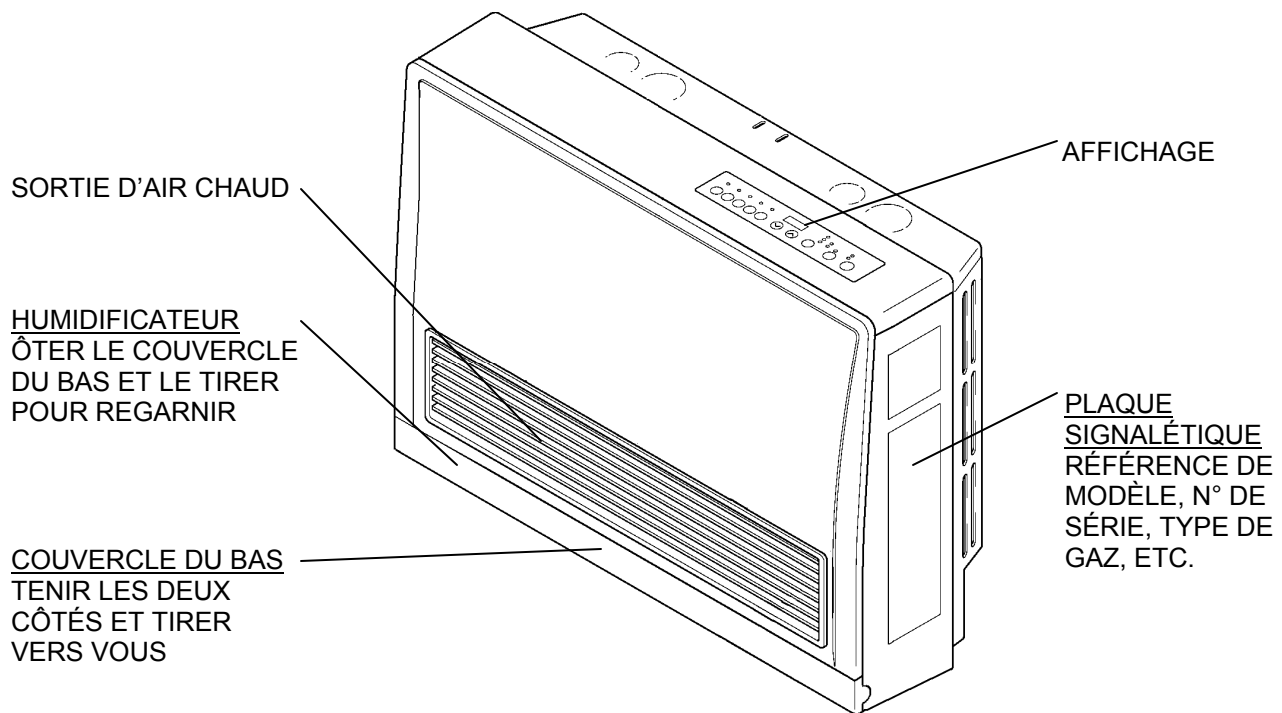
Les tailles de tubulure flue suivantes sont disponibles :



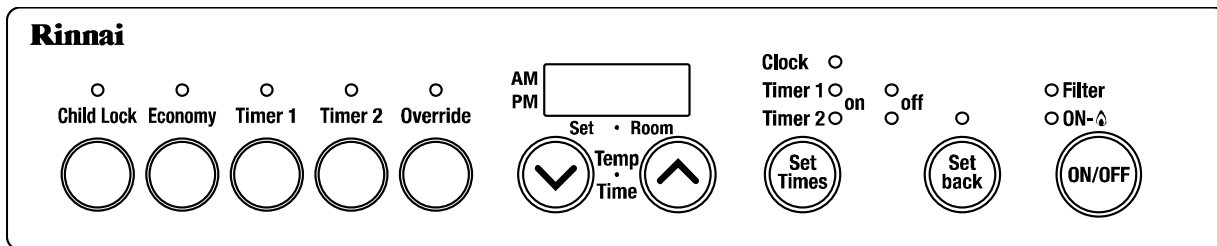
Name	Kit No.	Murs d'ajustements
S Kit de ventil.	FOT-150	3 - 4 1/2 in (75 - 115 mm)
A Kit de ventil.	FOT-151	4 1/2 - 9 1/2 in (115 - 240 mm)
B Kit de ventil.	FOT-152	9 1/2 - 15 3/4 in (240 - 400mm)
C Kit de ventil.	FOT-153	15 3/4 - 23 5/8 in (400 - 600 mm)
D Kit de ventil.	FOT-154	23 5/8 - 31 1/2 in (600 - 800 mm)

# Instructions d'utilisation

## Connaissance du nouveau chauffage



## Panneau de commandes



### Contrôle de température

Sur la base des informations collectées par la thermistance sur la température de la pièce quand le chauffage démarre, la capacité de chauffage est automatiquement ajustée pour produire un effet de réchauffement confortable et atteindre rapidement la température de consigne.

De temps en temps la température ambiante peut dépasser brièvement la consigne du fait de la disposition de la pièce ou de la zone chauffée.

### Affichage

Après que le chauffage est allumé et commence à fonctionner, l'affichage s'estompe. L'écran s'éteint lorsque le chauffage est désactivé. Tandis que les horloges de programmation l'écran s'éteint quelques secondes après qu'un bouton est enfoncé dernier.

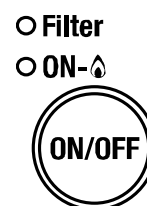
### Fahrenheit ou Celsius

1. Le chauffage doit être désactivé.
2. Appuyez sur le bouton du 1 et 2 en même temps pendant environ 5 secondes. L'écran affichera "°C" ou "°F".
3. Utilisez les touches fléchées pour sélectionner l'échelle de température.
4. Appuyez sur le bouton ON/OFF.

### Marche / Arrêt

Actionnez le bouton ON/OFF pour activer/désactiver le chauffage. Une fois que le brûleur est allumé l'indicateur de marche (ON) va être allumé en rouge. Quand le chauffage commence à agir le ventilateur démarre automatiquement.

Pour couper le chauffage, actionnez de nouveau le bouton ON/OFF. Le voyant indicateur ON va s'éteindre. Le ventilateur va continuer de tourner pendant plusieurs minutes après l'extinction du brûleur de façon à refroidir l'appareil. Ne débranchez pas l'appareil pendant que son ventilateur tourne encore.



### Verrouillage pour les enfants

Le verrouillage de protection des enfants (Child Lock) aidera à empêcher un démarrage accidentel de l'appareil et sa mise en marche par des enfants.

Pour activer ce verrouillage, appuyez sur le bouton Child Lock. Le voyant indicateur correspondant va s'allumer et un bip sonore va retentir.

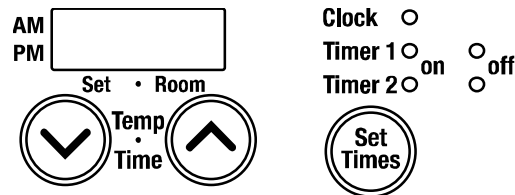
Pour désactiver ce verrouillage, appuyez de nouveau sur le bouton Child Lock et maintenez-le enfoncé pendant environ 2 secondes. Le voyant indicateur va s'éteindre et un bip sonore va retentir.

- Ce verrouillage peut être activé que le chauffage soit en marche ou à l'arrêt.
- S'il est activé pendant que le chauffage est en marche, toutes ses commandes sauf sa mise à l'arrêt seront bloquées.
- S'il est activé pendant que le chauffage est à l'arrêt, toutes ses commandes seront bloquées.
- Si le chauffage a été arrêté pendant que le verrouillage est activé, il ne pourra pas être remis en marche avant que le verrouillage ne soit désactivé.
- La désactivation du verrouillage libère les boutons de commande.



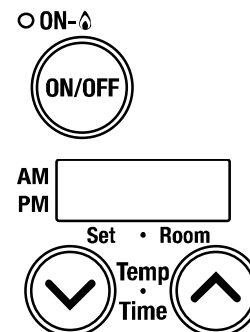
## Mise à l'heure

1. Appuyez sur le bouton "Set Times".
2. Le voyant près de "Clock" doit s'allumer. Actionnez un bouton de flèche montante ou descendante pour régler l'heure. Le maintien enfoncé d'une de ces touches fait défiler l'heure plus rapidement.
3. Appuyez de nouveau sur le bouton "Set Times" jusqu'à ce qu'aucune des options de changement de paramètres d'heure ne soit allumée.



## Utilisation manuelle du chauffage

1. Mettez le chauffage en marche en actionnant une fois son bouton "ON/OFF".
2. Actionnez un bouton de flèche montante ou descendante pour régler la température. Le côté gauche de l'affichage montre la température de consigne. Son côté droit montre la température actuelle dans la pièce.



## Réglage et utilisation des minuteries

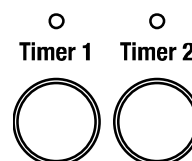
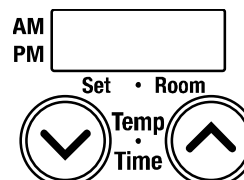
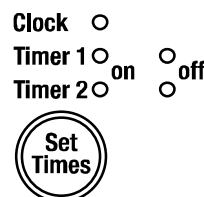
Vérifiez que l'heure indiquée est correcte.

REMARQUE : Il faudra effectuer une remise à l'heure après une éventuelle coupure du secteur. Cependant les minuteries conserveront leur réglage.

Le chauffage démarrera un peu avant l'heure de départ de façon à chauffer effectivement la pièce à l'heure de départ programmée.

### Paramétrage des minuteries :

1. Appuyez deux fois sur le bouton "Set Times" pour paramétrer la Minuterie 1.
2. Le voyant près de "Timer 1 on" doit s'allumer. Actionnez un bouton de flèche montante ou descendante pour fixer l'heure de départ. Le maintien enfoncé d'une de ces touches fait défiler l'heure plus rapidement.
3. Actionnez de nouveau le bouton "Set Times" de façon à ce que la position de fin de minuterie 1 (Timer 1 off) soit allumée. Actionnez un bouton de flèche montante ou descendante pour fixer l'heure de fin. Le maintien enfoncé d'une de ces touches fait défiler l'heure plus rapidement.
4. Actionnez de nouveau le bouton "Set Times" de façon à pouvoir paramétrer la minuterie 2. Suivez les mêmes étapes que précédemment pour définir l'heure de départ et de fin de la minuterie 2.
5. Actionnez le bouton "Set Times" jusqu'à ce qu'il ne reste plus d'option de réglage d'heure allumée.



### Utilisation des minuteries :

Pour faire fonctionner le chauffage à l'aide d'une des minuteries, appuyez sur le bouton Timer choisi. Le chauffage va fonctionner entre l'heure de départ et l'heure de fin que vous avez déterminées pour cette minuterie. Il chauffera à la température de consigne qui a été définie pour l'appareil.

## Fonction de surpassement

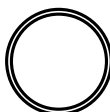
Cette fonction est utilisée uniquement quand le chauffage est en fonctionnement par minuterie.

Il vous permet de "surpasser" l'action de la minuterie en cours jusqu'au démarrage de la suivante.

Par exemple, si le chauffage était en marche (ON), l'appui sur le bouton "Override" va l'arrêter (OFF) jusqu'à la période suivante. Si le chauffage était arrêté (OFF), l'appui sur le bouton "Override" va le mettre en marche (ON) et vous permettre de sélectionner une consigne de température, jusqu'à la période suivante. Le chauffage restera en marche jusqu'à la période de minuterie suivante ou jusqu'à ce que la fonction de surpassement soit désactivée.

Quand vous êtes en surpassement, l'appui sur le bouton "Override" va faire revenir le chauffage au fonctionnement prévu dans la période en cours de la minuterie actuelle.

○  
Override

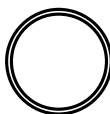


## Économie (Mode de conservation d'énergie)

Le mode d'économie d'énergie ne peut être activé que durant le fonctionnement du chauffage (en chauffe). Une fois activé, il restera mémorisé dans le système jusqu'à sa désactivation.

1. Pour passer dans ce mode de fonctionnement, appuyez sur le bouton "Economy". L'indicateur correspondant va s'allumer.
  - Le mode d'économie d'énergie restera alors mémorisé dans le système.
  - Si l'appareil est coupé manuellement, ou cesse de chauffer en fin de période de minuterie, le voyant indicateur de mode économie va s'éteindre.
  - Quand l'appareil redémarre, ce voyant indicateur se rallume.
2. Pour désactiver le mode d'économie d'énergie, appuyez de nouveau sur le bouton "Economy". Le voyant indicateur de mode économie va s'éteindre.
  - Le mode d'économie d'énergie ne peut être désactivé que durant le fonctionnement du chauffage (en chauffe) et si le voyant indicateur d'économie était allumé.

○  
Economy

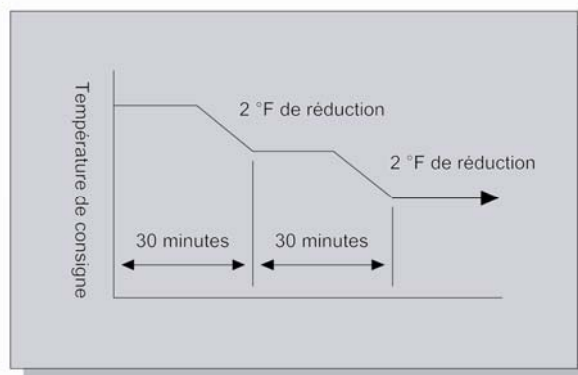


### Informations sur le mode d'économie d'énergie

Une fois que la pièce a reçu un chauffage initial, la température de l'air peut être redescendue à un niveau inférieur sans affecter le confort. Le mode d'économie d'énergie réduit la température de consigne de 2 °F, 30 minutes après que la température de consigne initiale ait été atteinte. Après 30 minutes supplémentaires, la consigne est réduite de nouveau de 2 °F, ce qui économise efficacement de l'énergie.

Le réglage de la température de la pièce sera au goutte-à-goutte u p pour un total de 4 °F.

Ce mode ne peut pas être activé si le chauffage est sous-dimensionné par rapport à la taille de la pièce.



## Programmation de température minimale

Cette fonction permet de déterminer à l'avance une température minimale pour la pièce, à définir entre 38°F et 78°F (par incréments de 2°F). Cette température doit être définie ci-dessous le réglage de la température de la pièce. La valeur par défaut est de 60°F. Une fois que cette fonction a été activée, l'appareil commencera à chauffer dès que la température de la pièce tombe sous le seuil sélectionné, quels que soient les réglages par minuterie ou manuels.

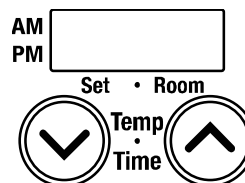
Suivez ces étapes pour paramétrer et activer cette possibilité :

1. Assurez-vous que le chauffage est bien arrêté (OFF).
2. Appuyez sur le bouton "Set back". Le voyant au-dessus du bouton va s'éclairer.
3. Actionnez un bouton de flèche montante ou descendante pour fixer la température minimale.

Quand le voyant indicateur "Set back" est allumé, la protection contre le gel est active et empêchera toujours la température de la pièce de tomber sous le seuil prédéterminé.

Pour désactiver cette fonction, appuyez sur le bouton "Retour le jeu".

L'unité conservera son paramètre ON ou OFF après une panne de courant. (Paramètre par défaut de l'usine est activée).



## Humidificateur et direction du flux d'air

### Ajout d'eau dans l'humidificateur

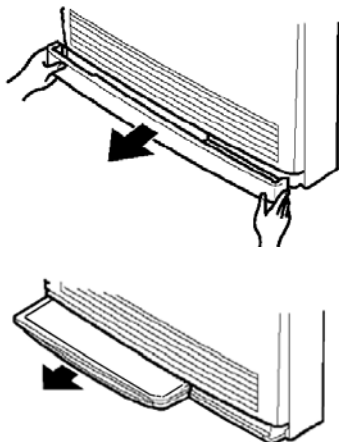
	<b>ATTENTION</b> N'enlevez pas le panneau de garnissage du bas ou le bac d'humidificateur pendant que de l'air chaud est envoyé. Attendez 5 minutes après la mise hors tension de l'unité.
--	--

L'air chaud est humidifié quand il passe au-dessus de l'eau dans le bac.

Lorsque vous supprimez le volet inférieur, appuyez sur les deux côtés et tirez-la vers vous. Sortez le bac et remplissez-le d'eau. Ne pas dépasser la ligne de remplissage.

Repoussez le bac plein en place et remettez le panneau de remplissage du bas. Ne faites pas fonctionner l'appareil sans que le bac d'humidificateur soit en place.

Durant le fonctionnement une petite quantité de condensation est produite dans le système d'évacuation et retombe dans le bac d'humidificateur.



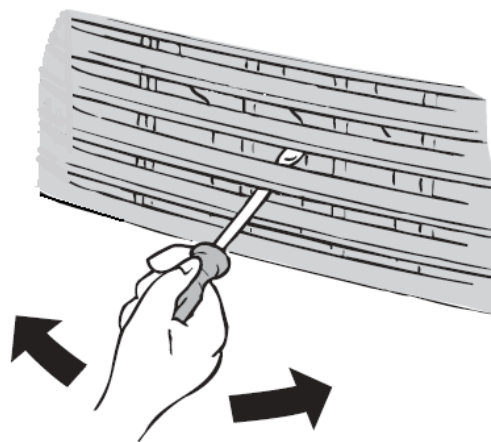
### Réglage de la direction du flux d'air

	<b>ATTENTION</b> N'ajustez pas les registres de flux d'air pendant que de l'air chaud est envoyé.
--	---

Le registre vertical peut être ajusté pour diriger le flux d'air vers la droite ou vers la gauche.

Utilisez un tournevis ou un outil similaire pour fléchir chaque latte dans la position voulue. Ne faites pas cette opération fréquemment (pas plus de 5 fois) sinon le registre peuvent casser.

Le registre horizontal (qui détermine la direction en hauteur du flux d'air) est fixe et ne peut pas se régler.



### Entretien

Toute intervention d'entretien et dépannage doit être effectuée par un technicien de service qualifié, qui de préférence a suivi des cours de service chez Rinnai sur ses produits à ventilation directe.

L'appareil doit être inspecté annuellement par un technicien de service qualifié. Un nettoyage plus fréquent peut être nécessaire du fait par exemple d'un excès de peluches venant des moquettes ou d'une literie. Il est impératif de maintenir propres les compartiments de commandes, de brûleur, et des voies de circulation d'air de l'appareil.

#### ATTENTION

Empêchez la poussière de s'accumuler sur le cordon de secteur, les couvertures latérales et les parties derrière l'appareil.

Tout écran ou protection qu'il faut retirer pour une intervention devra être remis en place avant de redémarrer l'appareil.

Voici la façon de nettoyer :

1. Coupez le chauffage et laissez-le refroidir une heure.
2. Ôtez le panneau frontal en enlevant six vis.
3. Utilisez de l'air comprimé pour chasser la poussière du brûleur principal, de l'échangeur thermique et des pales de ventilateur.
4. Essayez le coffret avec un chiffon doux sec.

N'utilisez pas de chiffon mouillé ou de nettoyeurs en bombe sur le brûleur.

Le conduit de cheminée doit être inspecté annuellement pour repérer obstructions ou dommages.

Les moteurs comportent une lubrification permanente et n'ont pas besoin de lubrification périodique. Maintenez ventilateur et moteur exempts de poussière ou saleté, en les nettoyant tous les ans.

Vérifiez le bon fonctionnement après toute intervention.

Lorsque vous joignez le panneau avant, prenez soin pas de clip ou pincer les cordons électriques d'électrocution.

### Soins pour l'extérieur

Trempez un chiffon doux dans de l'eau chaude. Essorez-le bien et passez-le sur l'appareil.

N'utilisez pas de substances volatiles telles que benzène ou diluants. Cela pourrait ternir la peinture et déformer la résine.

### Accumulation de neige

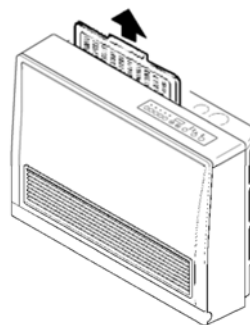
Maintenez la zone autour de la sortie de cheminée dégagée de toute neige ou glace. L'appareil ne fonctionnerait pas normalement si son admission ou évacuation étaient gênées par des obstructions.

Reportez-vous aux espacements autour de la terminaison de cheminée. L'écartement Réf. A doit être maintenu par rapport à toute accumulation de neige.

### Filtres

Des filtres sales réduisent le flux d'air et la capacité de l'appareil à produire de la chaleur. Les filtres doivent être nettoyés fréquemment pendant la saison de chauffe. Si le filtrage est obstrué, le voyant indicateur de filtre va clignoter, et l'appareil émettre un bip sonore. Éventuellement l'appareil s'arrête et le voyant de niveau de température 14 s'éclaire, indiquant un code de défaut.

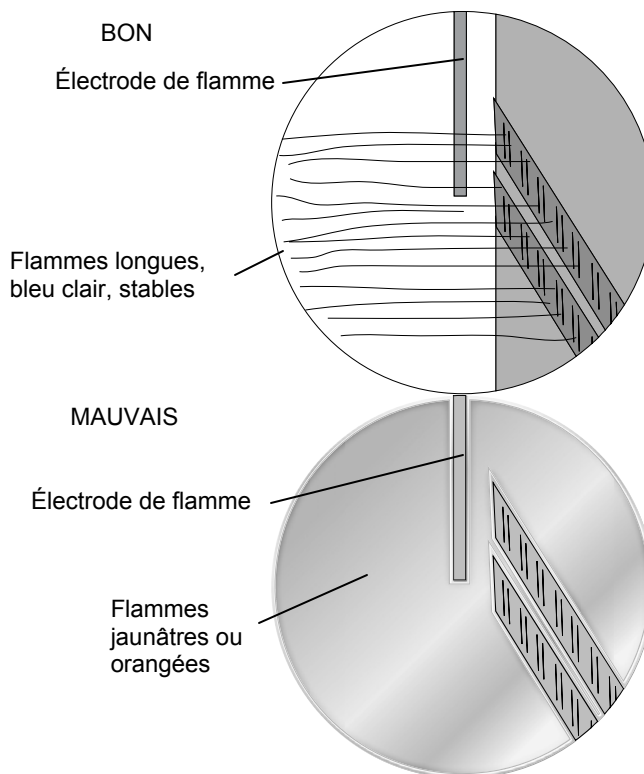
Pour nettoyer les filtres, l'appareil doit d'abord être arrêté et refroidi. Sortez le filtre et nettoyez-le avec un chiffon doux ou un aspirateur. Si le filtre est gras, lavez-le à l'eau savonneuse, rincez-le et laissez-le complètement sécher avant de le replacer.



### Inspection visuelle de flamme

Vérifiez que le brûleur fonctionne normalement par sa flamme.

La flamme peut se voir par le hublot circulaire au travers des persiennes. En fonctionnement normal, la flamme de brûleur doit apparaître étirée, claire et bleuâtre, et rester droite et stable. Des flammes de couleur jaune ou orange ne sont pas normales et il faut intervenir.





## Avant d'appeler pour de l'aide

Avant de lancer un appel pour recevoir de l'assistance, vérifiez les points qui suivent :

### ■ À l'allumage :

Le chauffage ne fonctionne pas.	➔	L'appareil est-il bien branché électriquement? Y a-t-il un fusible grillé ou un disjoncteur déclenché au panneau de distribution en amont? Y a-t-il une panne de secteur? Le filtre à air est-il saturé? La sortie d'air chaud est-elle obstruée? La conduite de cheminée est-elle bouchée?
De l'air chaud ne circule pas dès que le brûleur s'allume.	➔	Le ventilateur est activé automatiquement après un court délai. Cela permet de réchauffer l'échangeur thermique, ce qui aide à éviter l'envoi d'air froid.
Fumée ou odeurs étranges sont émises après le premier essai d'allumage suivant l'installation.	➔	Causées par l'échauffement de graisse, huile ou poussière à l'échangeur, elles cessent vite.
Crépitements secs à l'allumage, ou quand l'appareil se désactive par le thermostat ou par coupure manuelle.	➔	C'est simplement un bruit de dilatation/rétraction venant de l'échangeur thermique.

### ■ Pendant la combustion :

C'est simplement un bruit de dilatation/rétraction venant de l'échangeur thermique.	➔	C'est le son produit par l'ouverture et la fermeture des électrovannes de gaz.
L'appareil ne chauffe pas la pièce.	➔	Le filtre à air est-il saturé? La température de consigne pour la pièce est-elle suffisante? La sortie d'air chaud est-elle gênée par quelque chose? Les portes et fenêtres de la pièce sont-elles bien fermées? L'appareil est-il correctement dimensionné pour le volume à chauffer?
Filtre à air saturé ou persiennes bloquées ou obstruées.	➔	Laissez refroidir le chauffage, nettoyez le filtre ou dégagez les persiennes, redémarrez.
L'appareil ne se rallume pas après une surchauffe.	➔	Même si l'appareil a eu le temps de refroidir, le chauffage ne se rallumera pas. Une réparation est nécessaire. Contactez une société de service qualifiée/agrèée.

### ■ Quand l'appareil est arrêtée :

Le ventilateur de convection continue de tourner après l'arrêt du chauffage.	➔	Cela sert à évacuer la chaleur résiduelle de l'échangeur thermique. Le ventilateur stoppe une fois l'appareil de chauffage refroidi.
--	---	--

### ■ Autres points :

De la vapeur se dégage de la terminaison de cheminée.	➔	Les appareils à haut rendement tendent à générer de la vapeur d'eau les jours frais. C'est un phénomène normal.
L'appareil se coupe sans raison apparente.	➔	Regardez si les filtres sont saturés. Cela peut causer une surchauffe de l'appareil.

## Codes de défauts

En cas de dysfonctionnement, l'appareil peut se couper comme précaution de sécurité, elle affiche alors un code de défaut pour aider à diagnostiquer le problème. Ce code de défaut va clignoter à l'afficheur du panneau de commandes. Quand vous appelez pour une demande d'intervention, donnez ce code qui aidera à cerner le défaut.

Vous pouvez peut-être éliminer le code de défaut en passant le chauffage sur arrêt puis en le remettant en marche. Si le code de défaut est resté présent ou revient à la remise en route, contactez Rinnai ou votre agent de service le plus proche pour planifier une intervention.

CODE AFFICHÉ	DÉFAUT	REMÈDE
11 [1]	Panne d'allumage	Vérifier que l'arrivée de gaz est ouverte. Vérifier l'absence de blocage à la terminaison de ventilation. Se référer à l'explication de la fonction de redémarrage. Appeler pour une demande d'intervention si cela continue.
14	Surchauffe d'appareil	Nettoyer le filtre. Appeler pour une intervention si cela continue. [2]
16	Pièce trop chauffée	Abaisser le point de consigne pour la température de pièce en dessous de 104° F (40 °C).
31	Panne de capteur de température de la pièce	Demande d'intervention
32		
33	Panne de capteur de surchauffe de la pièce	Demande d'intervention
34		
49	Panne de capteur	Demande d'intervention
53	Panne de générateur d'étincelles	Demande d'intervention
61	Panne de ventilateur de combustion	Demande d'intervention
62	Panne de ventilateur de transfert de chaleur	Demande d'intervention
70	Commutateur M/A défectueux ou "Set retour" commutateur défectueux	Demande d'intervention
71	Solénoïdes défectueux	Demande d'intervention
72	Électrode de flamme défectueuse	Demande d'intervention
73	Erreur de communication	Demande d'intervention
99	Blocage de cheminée	Chercher une obstruction au niveau de la sortie de cheminée [3]

[1] Seulement ce code est sombre.

[2] Si le cavalier fusible doit être remplacé, cela doit être effectué par une agence de service qualifiée. De plus la cause de la surchauffe a besoin d'être déterminée. Ce cavalier fusible est un dispositif de sécurité qui n'agit qu'une fois, en se déclenchant il permet d'arrêter l'appareil.

[3] Dégagez toutes les obstructions. La cheminée doit être gardée dégagée pour libérer les gaz d'échappement. Si l'appareil a cessé de fonctionner, contactez une agence de service qualifiée.

## Fonction de redémarrage

Si il y a une panne de courant, tandis que l'apppliance est sur, puis l'application démarre automatiquement lorsque l'alimentation est restaurée.

Si l'appareil n'arrive pas à s'allumer, il essaiera de nouveau son allumage après 1 heure. Le code de défaut 11 "Panne d'allumage" apparaîtra durant ce délai. Si la nouvelle tentative réussit, ce code de défaut disparaîtra de l'affichage, sinon il demeurera et une nouvelle tentative d'allumage se répétera une heure plus tard. Le code de défaut n'est pas conservé dans l'historique des codes de défaut.

Si la flamme est éteinte durant la combustion forcée, alors l'appareil essaiera un allumage après 1 heure. Il n'apparaîtra pas de code de défaut. La combustion forcée commence environ 15 secondes avant d'allumage. Après ce délai la logique de contrôle de température pilote la combustion.

Si la flamme est éteinte (panne de combustion du brûleur) pendant que c'est la logique de contrôle de température qui pilote l'appareil, il essaiera immédiatement de se rallumer. Aucun code de défaut n'apparaîtra.

## Dépannage

Problème Cause	Pas d'indication de marche	Pas d'allumage du brûleur	Combustion anormale	Arrêt de combustion en fonctionnement	Odeur de gaz	Allumage bruyant	Réchauffage de la pièce trop long	Remède
Non branché	●	●						Brancher l'appareil
Panne secteur	●	●		●				Mettre à l'arrêt et remettre en marche au retour du secteur
Air dans la conduite de gaz à l'installation (en cas de branchement initial)		●						Purger l'air (installateur)
Filtre à gaz encrassé		●	●				●	Demande d'intervention
Mauvais allumage	●	●						Demande d'intervention
Sortie de cheminée obstruée			●	●		●		Dégager l'obstruction
Collecteur de fumée pas connecté					●	●		Demande d'intervention
Persiennes obstruées				●			●	Dégager l'obstruction
Filtre à air encrassé				●			●	Nettoyer le filtre
Fuite de gaz					●			Demande d'intervention
Fonction de verrouillage activée		●						Déverrouiller
Coupure de gaz en amont (compteur, réservoir ou vanne)		●						Rétablir l'arrivée du gaz
ON Timer est définie.		●						Annuler "ON" bois ou push remplacer bouton

# Instructions d'installation

## Instructions générales



### AVERTISSEMENT

N'utilisez pas de matériaux de substitution.  
N'utilisez que des pièces certifiées pour aller sur cet appareil.

- C'est un technicien qualifié qui doit installer cet appareil et l'inspecter avant utilisation.
- Si vous déménagez, vérifiez le type de gaz de votre nouveau domicile. La régie de gaz locale vous conseillera sur les réglementations locales.
- L'installation doit être conforme aux normes locales, et à défaut avec la norme américaine sur le gaz combustible *ANSI Z223.1/NFPA 54* ou la norme canadienne sur les installations au gaz naturel et propane *CSA B149.1*.
- Une installation dans une maison préfabriquée (aux USA uniquement) ou dans une maison mobile doit se conformer à la norme américaine sur la *construction et la sécurité des maisons préfabriquées (Title 24 CFR, Part 3280)*, ou quand elle n'est pas applicable à celle sur les installations de *maisons préfabriquées (ANSI/NCSCS A225.1)*, ou la norme canadienne sur les *véhicules de loisirs et habitations mobiles équipés au gaz (CSA Z240.4)*.
- L'appareil quand il est installé doit être mis à la terre en conformité avec les normes locales, ou en leur absence avec la *norme électrique américaine (ANSI/NFPA 70)* ou la *norme canadienne (CSA C22.1)*.
- Les débits calorifiques d'appareil sont basés sur un fonctionnement au niveau de la mer et ne sont pas modifiés jusqu'à une altitude de 610 m (2 000 pi). Pour fonctionner au-dessus de 610 m (2 000 pi), reportez-vous au Ajustage et Reglage de la Pression de Gaz.
- L'appareil et sa vanne de gaz doivent être débranchés du système de conduite de distribution de gaz s'il doit être testé sous des pressions dépassant 1/2 psi (3,5 kPa).
- L'appareil doit être isolé du système de conduite de distribution de gaz en coupant l'arrivée à sa vanne de fermeture si le système doit être testé sous des pressions inférieures ou égales à 1/2 psi (3,5 kPa).
- Si le sol est avec moquette, carrelage ou autre matériau combustible autre que du bois, il faut alors installer l'appareil sur un panneau de bois ou métal dépassant la largeur et la profondeur de l'appareil.
- Cet appareil envoie un gros volume d'air chaud vers le sol. Toutes les particules en suspension dans l'air, comme la fumée de tabac, peuvent causer une coloration de la moquette. Le flux d'air chaud peut décolorer les moquettes en nylon contenant des surfaces colorées ou vinyle.
- Cet appareil n'est pas conçu pour être encastré.
- Cet appareil ne doit être utilisé qu'avec le type de gaz indiqué sur sa plaque signalétique. Cet appareil n'est pas convertible pour une utilisation avec d'autres gaz, sauf au moyen du montage d'un kit de conversion certifié. Si une conversion est nécessaire, elle doit être effectuée par une société de service qualifiée aux frais du propriétaire.
- **Suivez le gaz pression réglage (page 73) et vérifiez que le code correct est utilisé pour votre type de gaz et l'altitude.**
- Cet appareil ne doit pas être relié à une cheminée d'évacuation de fumées desservant aussi un autre appareil de chauffage à combustion.
- Rinnai suggère d'utiliser comme source d'alimentation secteur un circuit dédié à l'appareil (120 V CA, 60 Hz, 10 A).
- Deux connexions de test en 1/8 po sont fournies pour vérifier la pression différentielle au distributeur. Elles sont situées sur la vanne de gaz modulatrice et le distributeur de brûleur.
- L'appareil doit être correctement dimensionné pour l'espace qu'il est supposé chauffer.
- Suivez les instructions d'installation et celles de la section sur les *soins et l'entretien* pour obtenir un air de combustion et de ventilation adéquats.
- Le flux d'air de combustion et de ventilation ne doit pas être obstrué.
- Les espacements minimum pour accéder à l'appareil en cas d'intervention sont de 5 cm (2 po) sur les côtés, de 1 m (40 po) à l'avant, et de 22,5 cm (9 po) au-dessus.

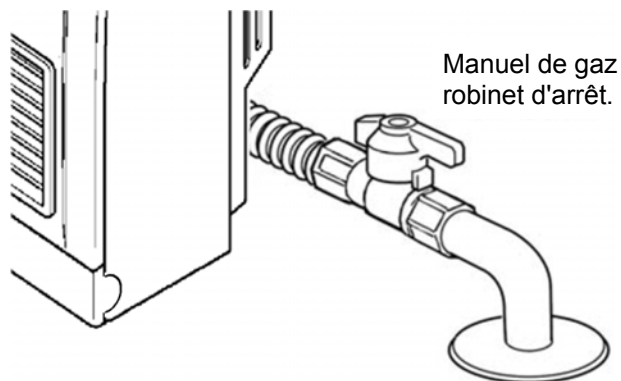
### AVIS

Si l'installation a lieu à une altitude qui dépasse les 2 001 pieds (611 m), reportez-vous au Ajustage et Reglage de la Pression de Gaz.

Si l'installation a lieu à une altitude 2 000 pieds (610 m) ou moins, alors il n'y a pas besoin de changer les réglages de pression de gaz.

## Connexion de gaz

- La conduite d'arrivée de gaz doit être étanche, bien calibrée et installée de façon à fournir assez de gaz pour la demande maximale du chauffage sans perte de pression.
- Une vanne de coupure principale et une vanne à la connexion de l'appareil doivent être installés en amont de l'appareil sur la conduite d'alimentation pour permettre l'arrêt d'alimentation durant des interventions.
- Le tuyau flexible et la vanne d'appareil utilisés pour l'arrivée de gaz doivent être de types approuvés par les agences nationales compétentes.
- Tout produit utilisé sur les joints filetés de tuyauterie de gaz doit pouvoir résister à l'action des gaz de pétrole liquéfié (propane).
- Après la réalisation du branchement de gaz, tous les joints, y compris ceux du chauffage, doivent avoir leur étanchéité vérifiée à l'aide d'une solution de détection de fuites (eau savonneuse ou équivalent) non inflammable en fonction des possibilités (Du fait que certaines solutions de détection de fuites, dont l'eau savonneuse, peuvent provoquer une corrosion ou une fissuration sous contrainte, la tuyauterie doit être rincée à l'eau après le test, sauf s'il a été déterminé l'innocuité de la solution de test de fuites).
- Vérifiez la pression d'alimentation en gaz immédiatement en amont à un endroit fourni par la société de distribution. Le gaz disponible doit être dans les limites indiquées dans la section de spécifications.
- Reportez-vous à un tableau de dimensionnement approuvé de conduites si vous avez un doute sur la dimension de la conduite d'arrivée de gaz.
- Installez la vanne de coupure manuelle de façon à ce qu'elle soit accessible pour une coupure facile. Ne la placez pas dans l'intervalle derrière l'appareil.

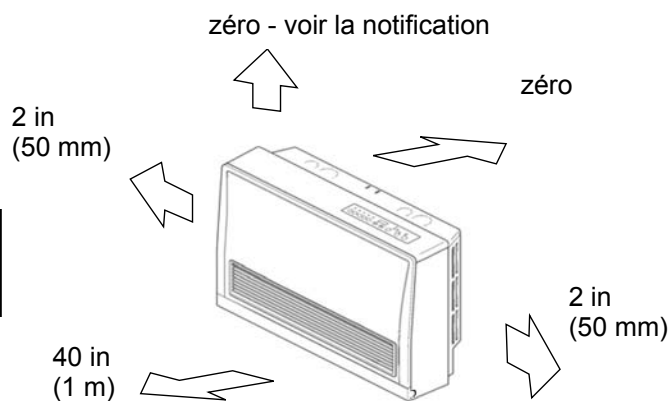


## Dégagement par rapport aux combustibles

Quand vous déterminez l'emplacement de montage de l'appareil, il faut respecter les distances par rapport aux combustibles montrées sur la figure ci-contre. Reportez-vous aussi à la section sur les attitudes et pratiques sûres. L'espacement par rapport aux combustibles à partir du haut est nul.

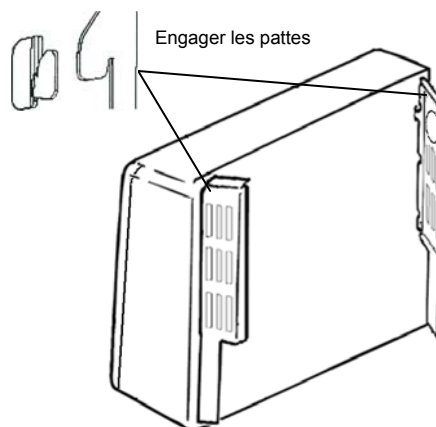
### AVIS

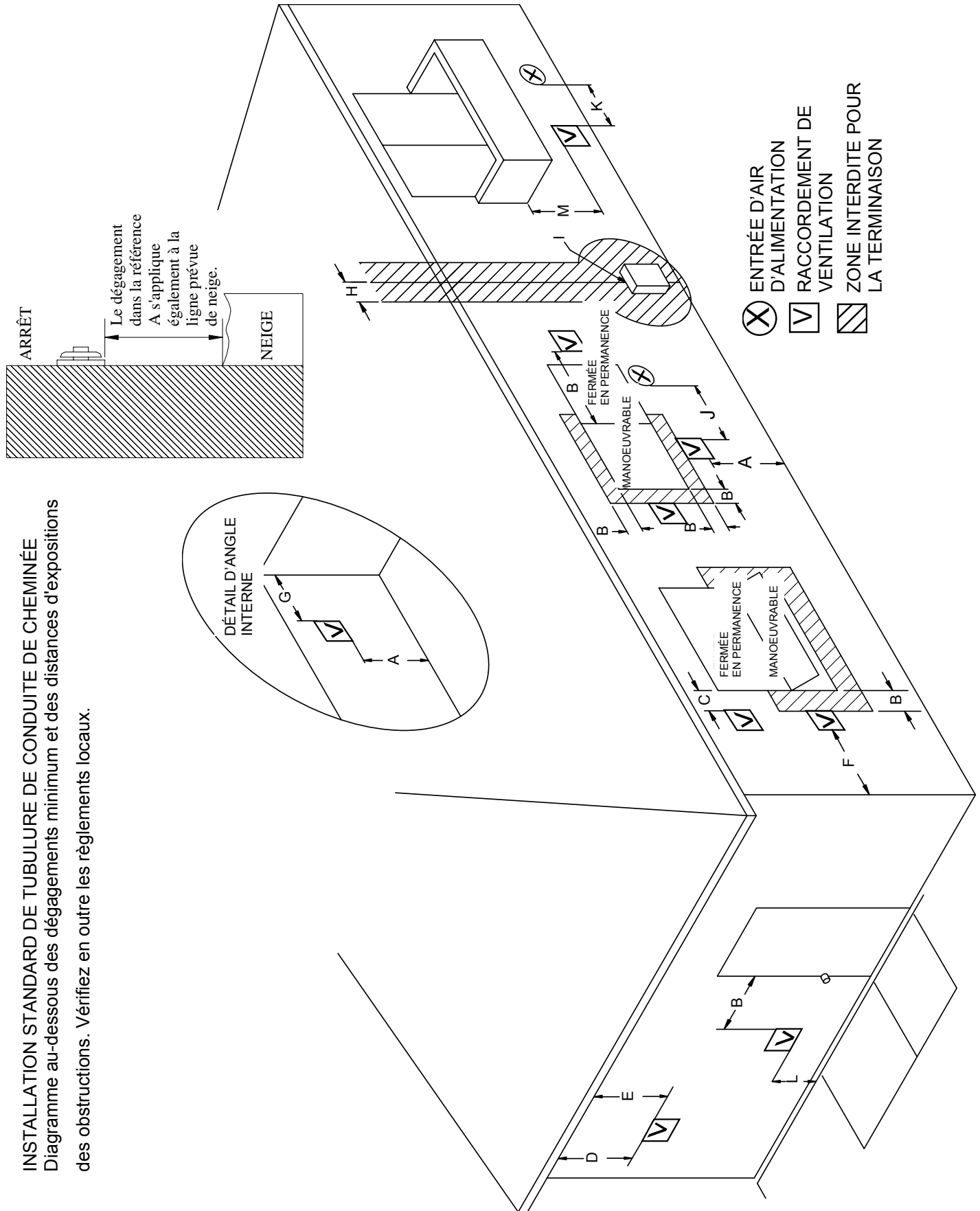
9 (225 mm) sont nécessaires à partir du haut de l'appareil pour supprimer le filtre pour le nettoyage



## Fixation des couvercles arrière (Côtés seulement)

Fixez les couvercles arrière comme montré ci-contre :





INSTALLATION STANDARD DE TUBULURE DE CONDUITE DE CHEMINÉE  
 Diagramme au-dessous des dégagements minimum et des distances d'expositions  
 des obstructions. Vérifiez en outre les règlements locaux.

## Dégagements en sortie de cheminée (Suite)

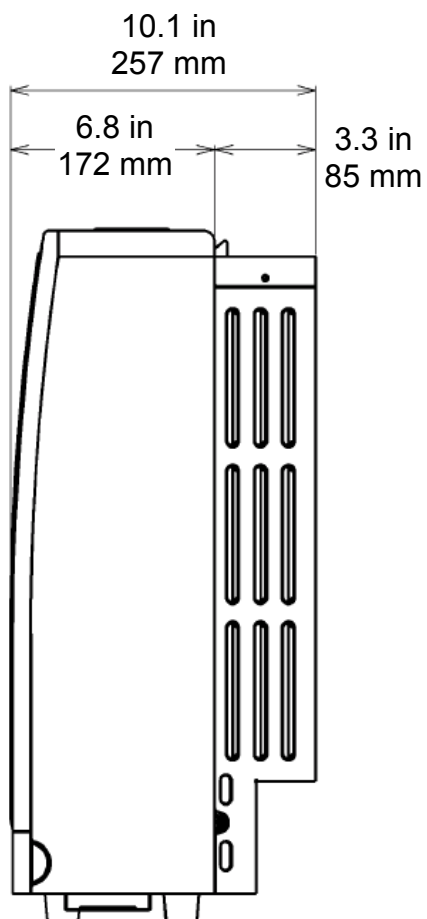
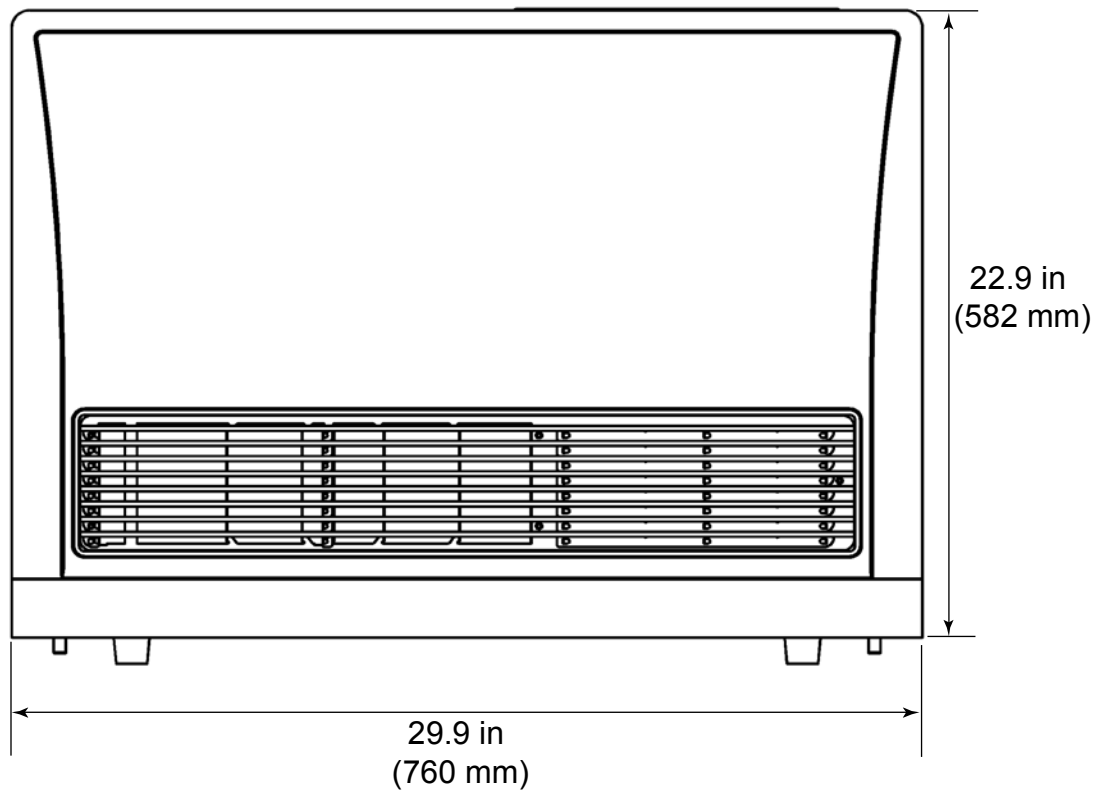
Réf.	Description	Installations Canada	Installations USA
A	Dégagement au-dessus de sol, véranda, porche, plate-forme ou balcon. (prendre en compte la hauteur probable de neige)	12 po (30 cm)	12 po (30 cm)
B	Dégagement jusqu'à fenêtre ou porte pouvant être ouverte	6 po (15 cm) pour des appareils ≤ 10 000 BTU/h 12 po (30 cm) pour des appareils > 10 000 BTU/h et ≤ 100 000 BTU/h 36 po (91 cm) pour des appareils > 100 000 BTU/h	6 po (15 cm) pour des appareils ≤ 10 000 BTU/h 9 po (23 cm) pour des appareils > 10 000 BTU/h et ≤ 50 000 BTU/h 12 po (30 cm) pour des appareils > 50 000 BTU/h
C	Dégagement jusqu'à fenêtres fermées en permanence	*	*
D	Dégagement espacement vertical jusqu'aux combles ventilés, au-dessus de la terminaison à une distance horizontale de 2' (61 cm) de l'axe de la terminaison	*	*
E	Dégagement jusqu'à des combles non ventilés	*	*
F	Dégagement jusqu'à un angle extérieur	*	*
G	Dégagement jusqu'à un angle intérieur	20 po (50 cm)	20 po (50 cm)
H	Dégagement par rapport à chaque côté d'une ligne axiale prolongée au-dessus de l'ensemble compteur/régulateur	3 pi (91 cm) dans une hauteur de 15 pi (4,5 m) au-dessus de l'ensemble compteur/régulateur	*
I	Dégagement jusqu'à la sortie du régulateur de ventilation de service	3 pi (91 cm)	*
J	Dégagement jusqu'à une bouche d'alimentation en air non mécanique dans le bâtiment ou une prise d'air de combustion d'un autre appareil	6 po (15 cm) pour des appareils ≤ 10 000 BTU/h 12 po (30 cm) pour des appareils > 10 000 BTU/h et ≤ 100 000 BTU/h 36 po (91 cm) pour des appareils > 100 000 BTU/h	6 po (15 cm) pour des appareils ≤ 10 000 BTU/h 9 po (23 cm) pour des appareils > 10 000 BTU/h et ≤ 50 000 BTU/h 12 po (30 cm) pour des appareils > 50 000 BTU/h
K	Dégagement jusqu'à bouche d'alimentation en air mécanique	6 pi (1,83 m)	3 pi (91 cm) au dessus si dans 10 pi (3 m) horizontalement
L	Dégagement au-dessus d'allée pavée ou de trottoir sur le domaine public	7 pi (2,13 m) ①	*
M	Dégagement sous véranda, porche, plate-forme ou balcon	12 po (30 cm) jusqu'aux matériaux non-inflammables ② 24 po (61 cm) jusqu'aux matériaux inflammables ②	12 po (30 cm) jusqu'aux matériaux non inflammables ② 24 po (61 cm) jusqu'aux matériaux inflammables ②

① Une ventilation ne doit pas se terminer directement au-dessus d'allée pavée ou de trottoir situé entre deux propriétés familiales et qui les dessert toutes les deux.

② Permis uniquement si véranda, porche, plate-forme ou balcon est complètement ouvert sur au moins deux côtés sous le sol.

\* Pour les distances non spécifiées dans *ANSI Z223.1/NFPA 54* ou *CSA B149.1*, il faut suivre les normes d'installation locales et les contraintes données par le fournisseur de gaz.

## Dimensions



### AVIS

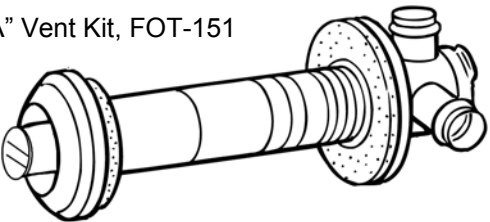

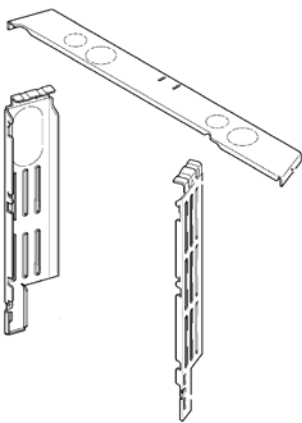


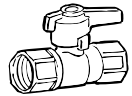




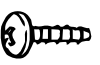



Un modèle de taille complète est fourni sur l'emballage en carton.

NE JETEZ pas jusqu'à ce que l'installation est terminée.

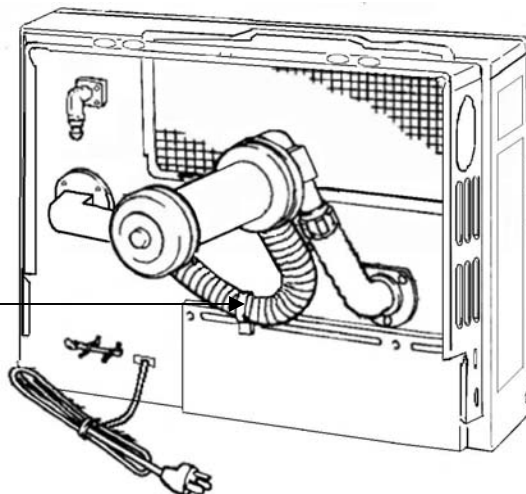


## Pièces d'installation

Les articles suivants sont inclus avec l'appareil livré :

<p>Collecteur de fumée.....1 "A" Vent Kit, FOT-151</p> 		<p>Joint caoutchouc de rechange<sup>1</sup> (appareils à ventilation « A » uniquement)</p>  <p>(pour installations avec parement bois)</p>		
<p>Jeu d'espaceurs arrière</p> 	<p>1</p>	<p>Fermeture de tuyau</p> 	1	
		<p>Fermeture d'isolation</p> 	1	
		<p>Vanne manuelle</p> 	1	
		<p>Attache plastique pour arrivée d'air</p> 	1	
<p>Manuel d'utilisation</p>		<p>1</p>	<p>Attache plastique (L=250 mm)</p> 	1
<p>Vis (M4)</p>  <p>Pour définir d'espacement arrière</p>	<p>4</p>	<p>Vis (M4)</p>  <p>(pour collecteur de fumée)</p>	3	
<p>Vis (M4)</p>  <p>(pour support de séparateur)</p>	<p>4</p>	<p>Vis (bois) (M4.8x 32)</p>  <p>(pour support mural)</p>	5	
<p>Support mural</p> 	<p>1</p>	<p>Support espaceur</p> 	1	

\* Ce lien en plastique doit être situé ici.



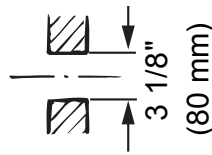
## Perçage du trou de cheminée

Vérifiez qu'il n'y a pas de conduites d'eau, gaz ou électricité cachées là où il faut percer. Percez le trou de cheminée en utilisant un outil de coupe pour diamètre 80 mm (3-1/8 po). Le centre du trou doit être situé exactement au point spécifié. Reportez-vous au schéma.

Pour les murs avec parement bois, percez au centre du revêtement à partir de l'extérieur d'abord, puis au travers du placoplâtre. Un gabarit est fourni.

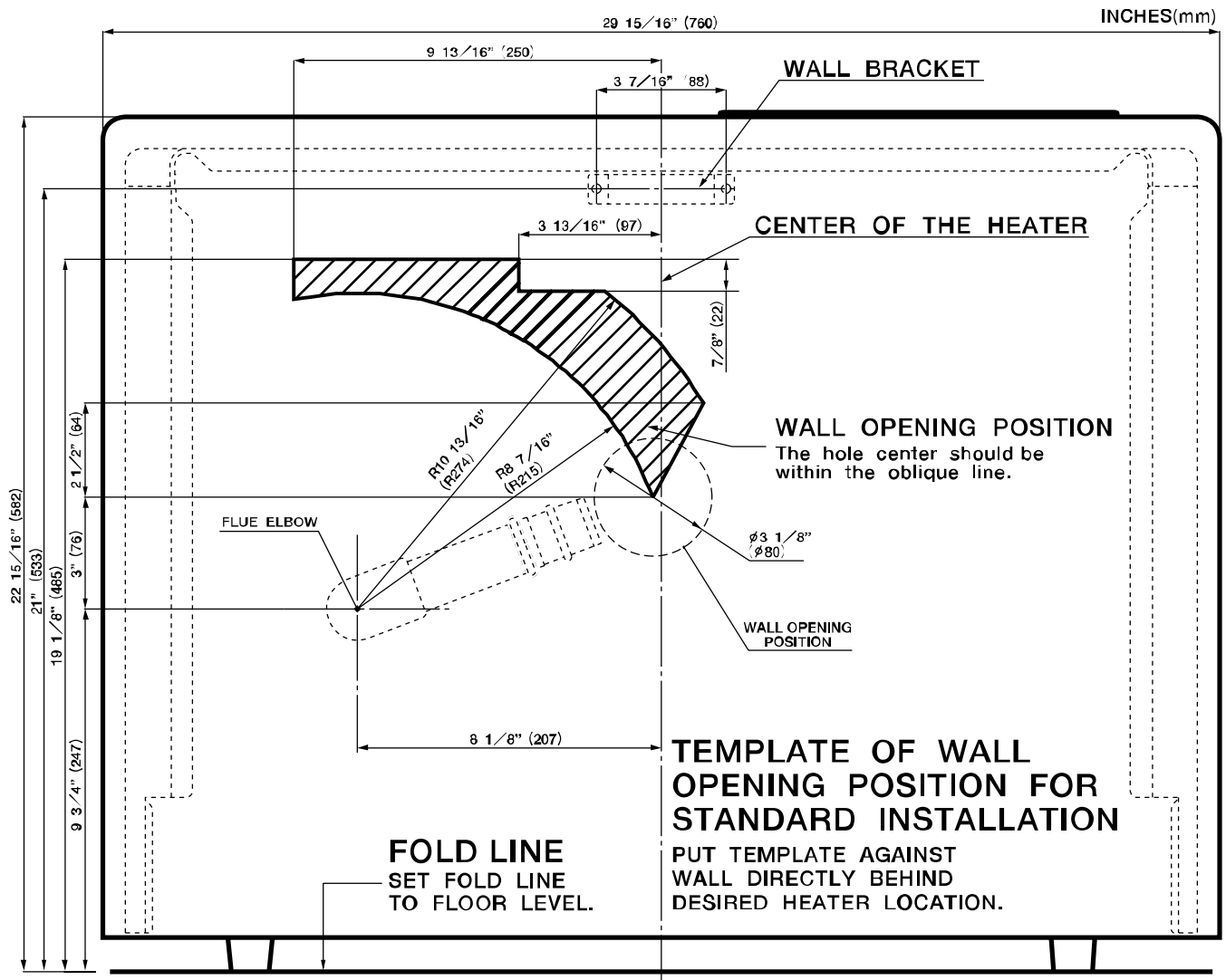
Pour une installation n'utilisant pas de kits d'extension, la configuration du collecteur de fumée, du tuyau d'admission d'air et du tuyau d'évacuation coulissant, doit ressembler à ce qui est montré quand l'installation est finie. La zone hachurée montre où le collecteur de fumée peut être situé.

Trou de cheminée



**AVIS**

Utiliser un modèle (inclus) pour déterminer l'emplacement autorisé du trou carneau.



Configuration viewed from behind the appliance.

## Installation du collecteur de fumée

- Le collecteur de fumée doit sortir à l'extérieur. N'évacuez pas dans d'autres pièces.
- La cheminée n'est pas conçue pour être positionnée sous des planchers ou sous le chauffage.
- La terminaison ne peut pas être verticale.
- L'appareil ne peut être utilisé qu'avec l'un des cinq types de kits de collecteurs de fumée de Rinnai. Ces kits et leurs dimensions sont listés dans la section des spécifications.
- Reportez-vous à la section sur les intervalles au raccordement de cheminée.

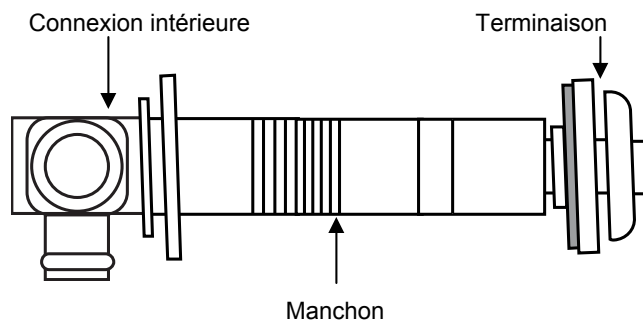
### 1. Démontez le collecteur de fumée

Il consiste en 3 parties :

- manchon
- connexion intérieure
- terminaison extérieure

Démontez le collecteur de fumées en sortant d'abord sa connexion interne. Pour ôter la terminaison extérieure, tirez et relâchez les deux attaches internes, puis sortez la terminaison extérieure.

Les distances par rapport aux combustibles pour manchon et brides sont de zero po.



### 2. Réglage de la longueur de manchon

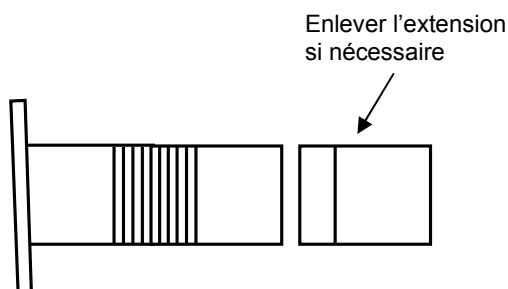
Mesurez l'épaisseur de mur au travers du trou de 3-1/8 po (8 cm) précédemment percé.

L'extrémité du manchon doit sortir de 3/16 à 3/8 po (5-10 mm) de l'extérieur du mur.

Le manchon est fileté pour un réglage. Réglez sa longueur en fonction de l'épaisseur de mur en y ajoutant de 3/16 à 3/8 po (5-10 mm).

REMARQUE : N'étirez pas le manchon au-delà de la ligne rouge.

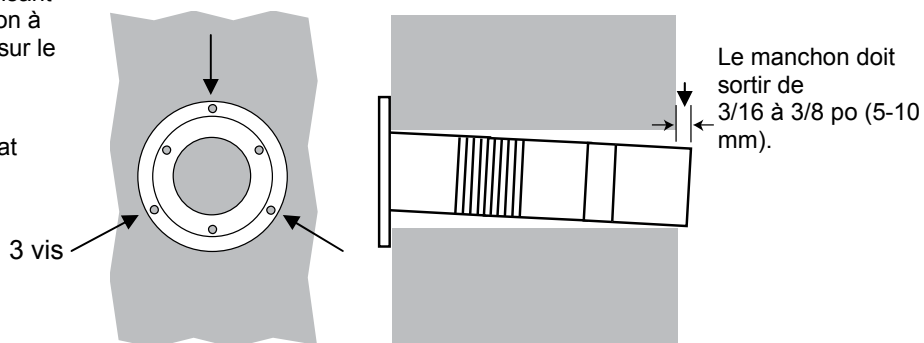
Pour les collecteurs de fumée autres que le type « S », si une longueur plus réduite est nécessaire une extension peut être ôtée. Coupez le plastique et éliminez l'extension.



### 3. Fixation du manchon

Fixez sur l'extérieur de mur en utilisant 3 vis, en disposant la bride de façon à ce que le marquage « TOP » soit sur le dessus.

La bride est décalée de 2° pour permettre le drainage du condensat vers l'extérieur.

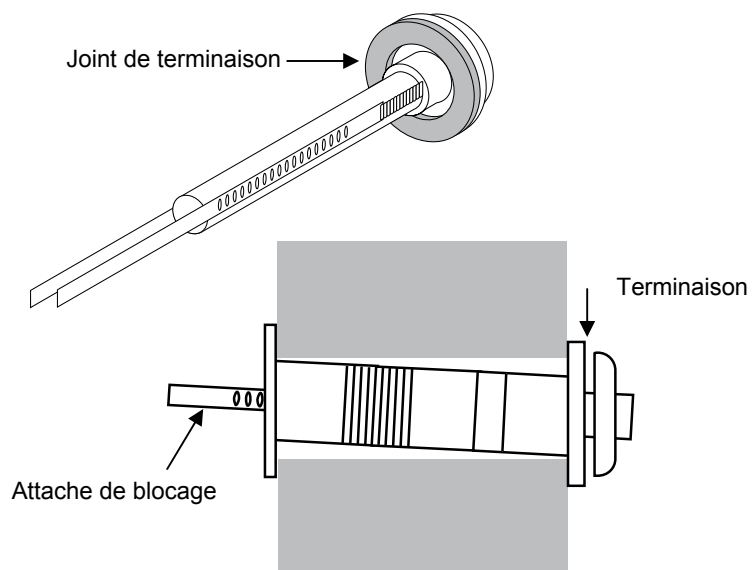


## Installation du collecteur de fumée (Suite)

### 4. Installation de la terminaison

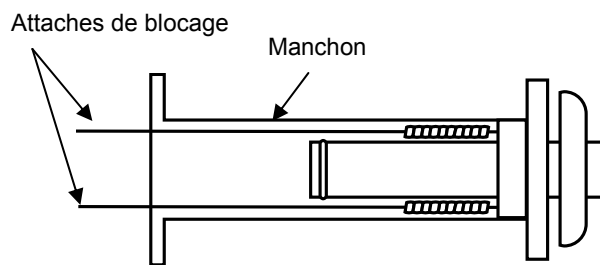
Vérifiez que le joint de terminaison est en place. Pour les murs avec parement en bois, ajoutez le second joint près du joint de terminaisons pour compenser pour l'angle de parement.

Depuis l'extérieur insérez la terminaison dans le manchon en gardant le marquage « TOP » vers le haut. Le blocage de côté gauche doit être repéré par « LEFT ».



### 5. Blocage des attaches

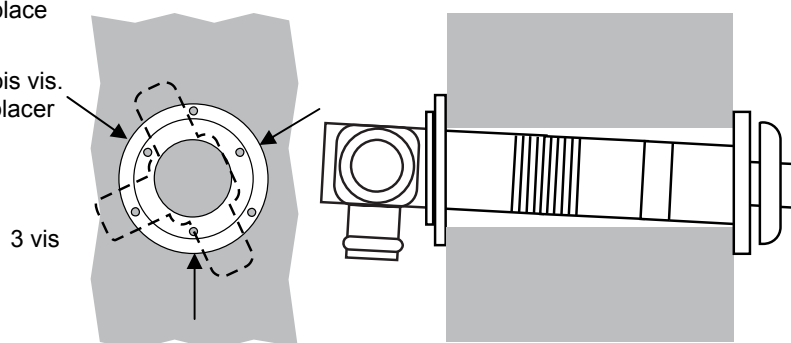
En tirant fort sur les attaches de gauche et de droite, accrochez-les dans les crans du manchon. Vous devriez pouvoir tirer les attaches jusqu'à 2 ou 3 crans après le point de départ. Coupez le bout des attaches, en ne laissant dépasser qu'environ 3/4 po (20 mm) après le cran. Ramenez le bout des attaches dans le manchon en parallèle avec le mur.



### 6. Insertion de l'ensemble interne de connexion

Poussez l'ensemble dans le tube de terminaison en vous assurant que le joint est en place dans le tube intérieur.

Fixez la connexion intérieure avec trois vis. Elle peut toujours être tournée pour placer ces vis.

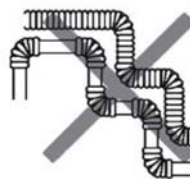


## Installation du kit d'extension

Si nécessaire, des kits d'extension sont disponibles pour prolonger la conduite d'évacuation et le tuyau d'admission d'air entre collecteur de fumée et appareil.

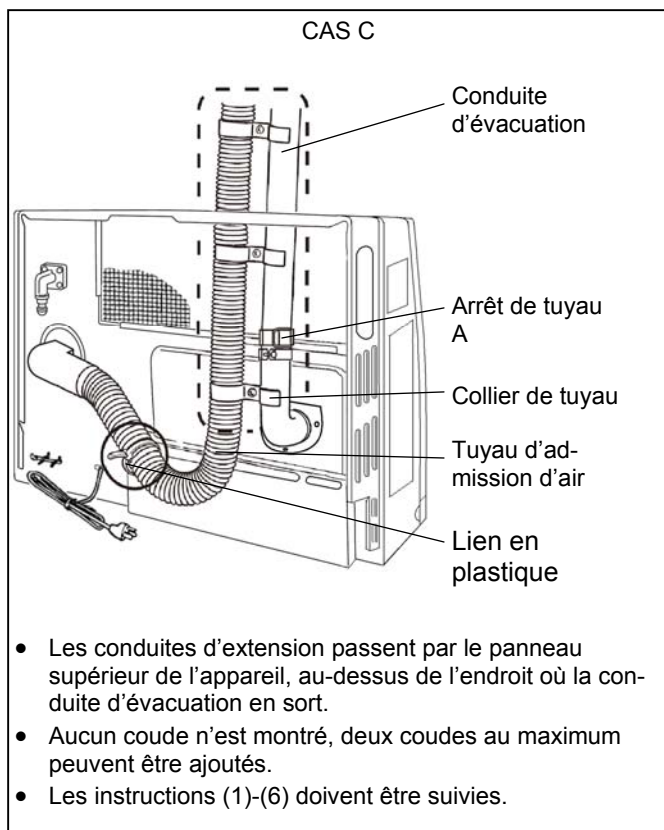
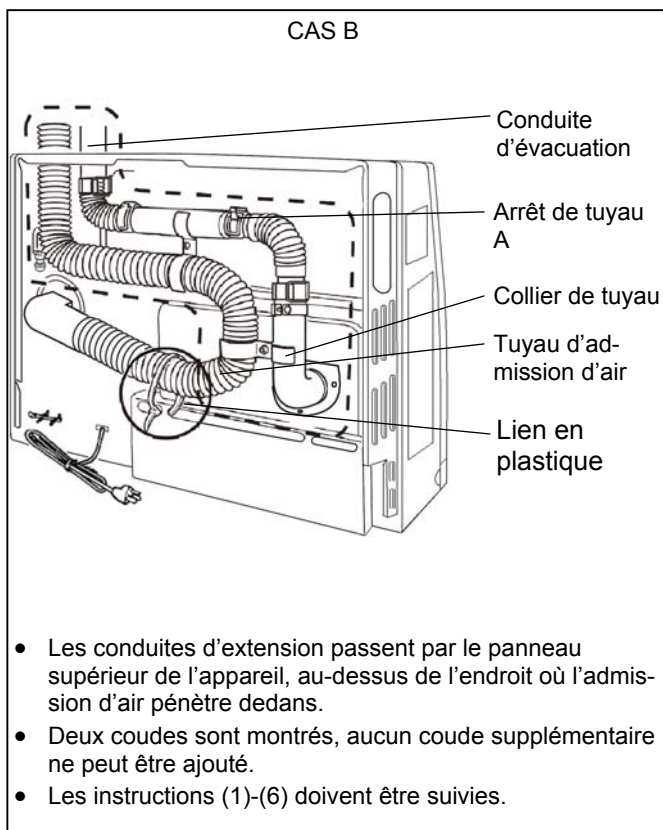
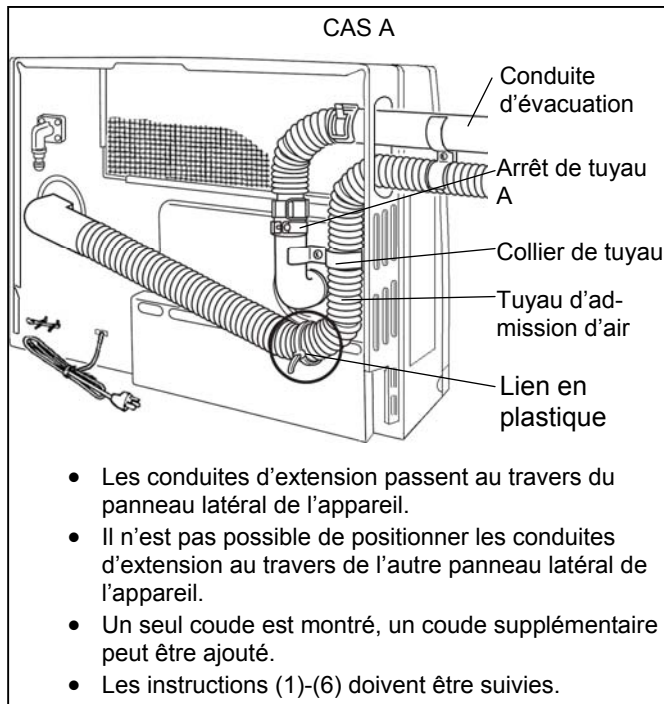
- (1) La longueur maximale évent est de 13 pieds (4 m) avec 2 plis. Le tuyau tordue relié au matériel ne compte pas dans la limite maximale de 2 plis.
- (2) La longueur verticale maximale permise est de 8 pieds (2,4 m).
- (3) Si l'extension est supérieure à 10 pieds (3 m), le condensat peut déborder le pan de condensation. Par conséquent, l'extension dépassant cette longueur devrait drainer vers l'extérieur et pente 3 ° vers le bas.
- (4) Ne permettez pas des points bas sur la conduite d'évacuation où du condensat pourrait s'accumuler. Dans le cas contraire, les condensats peuvent bloquer le gaz d'échappement et affectent la combustion.
- (5) Les extensions de ventilation installées dans un espace à l'air non conditionné doivent être isolées avec un matériau pour haute température et doivent rester accessibles.
- (6) Les extensions de ventilation ne doivent pas être dissimulées selon la norme NFPA 54 et doivent rester accessibles pour permettre leur inspection et réparation. Des caches décoratifs sont disponibles chez Rinnai.

Ces illustrations montrent 3 façons possibles d'orienter l'extension de la conduite d'évacuation et du tuyau d'admission d'air en partant du collecteur de fumée. Ces trois illustrations sont vues de derrière l'appareil. **Pour votre configuration, positionnez le tuyau d'admission d'air comme c'est montré.**



### INCORRECT

- Trop de courbures (la limite est 2)
- Le tuyau d'entrée d'air est au-dessus de pot d'échappement



## Installation du kit d'extension (Suite)



### ATTENTION

Utilisez arrêts de tuyau, connecteurs, colliers et vis en suivant ces instructions de façon à assurer l'absence de fuites de gaz d'évacuation.

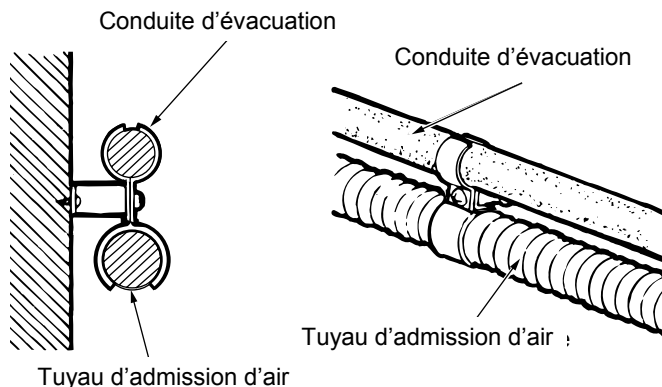
### Dégagements

Conduite d'évacuation à matériaux combustibles	1 pouce (25,4 mm)
Conduite d'évacuation à matériaux non combustibles	zéro

### Attaches

La conduite d'évacuation comme le tuyau d'admission d'air sont supportés par des colliers fixés au mur. Un dispositif mural peut être utilisé pour éloigner le collier du mur. Utilisez une vis B pour fixer ce dispositif mural sur le mur. Si un dispositif mural n'est pas utilisé, servez-vous de la vis A et de l'écrou pour fixer le collier au mur.

Le tuyau d'admission d'air doit toujours être en dessous de la conduite d'évacuation, pour qu'au cas où ce premier s'affaisserait il ne vienne pas en contact avec la conduite d'évacuation.



### Installation de la conduite d'évacuation

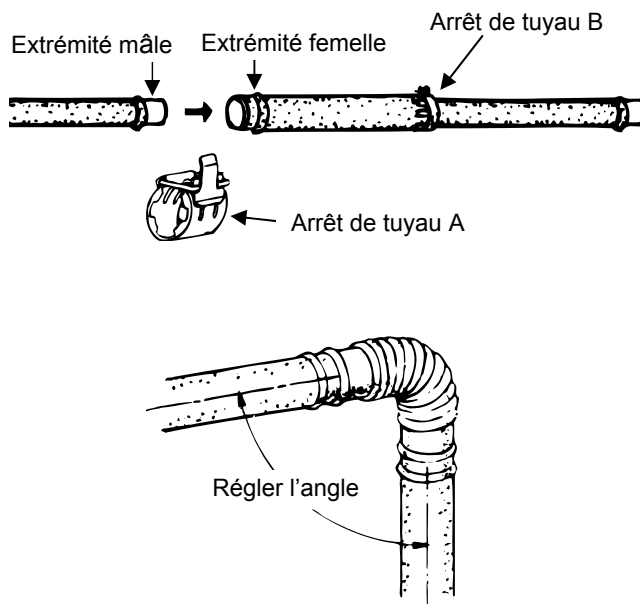
La conduite d'évacuation est branchée entre le tube coudé à l'arrière du chauffage et le port de sortie du collecteur de fumée.

Pour brancher des évacuations avec d'autres tuyaux droits ou courbes, raccordez l'extrémité mâle dans l'extrémité femelle. Utilisez un arrêt de tuyau A pour serrer cette connexion.

Utilisez un arrêt de tuyau B pour fixer la longueur sur les tuyaux d'évacuation réglables. N'étirez pas ces tuyaux au-delà de la ligne repère rouge.

Ne coupez pas la conduite d'évacuation, mais utilisez des tuyaux réglables si nécessaire.

Pour courber un coude, insérez des tuyaux d'évacuation dans chacune de ses extrémités pour faire levier. Courbez à l'angle voulu. Ne redressez pas le tube coudé de sortie fixé sur l'appareil.



### Connexion de la conduite d'évacuation

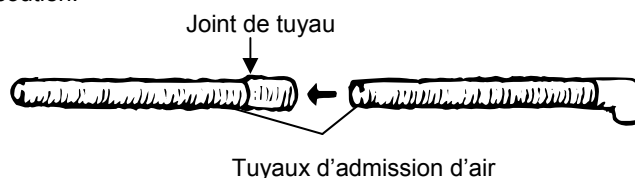
Le tuyau d'admission d'air est branché entre la connexion pour l'air à l'arrière de l'appareil et le port d'admission d'air sur le collecteur de fumée.

Poussez le tuyau d'admission d'air dans le collecteur de fumée et fixez-le en place avec une attache de câble en plastique.

Joignez les tuyaux d'admission d'air en vissant un joint de tuyau jusqu'à la moitié de sa longueur au bout d'un tuyau d'admission d'air, et en vissant un autre tuyau d'admission

d'air de l'autre côté de ce joint de tuyau. Les longueurs de tuyau d'admission d'air et de conduite d'évacuation doivent être égales pour que l'appareil fonctionne correctement. Les tuyaux peuvent être coupés à la longueur voulue. Ébarbez les bords de coupe bruts. Ne coupez pas le tube relié à l'appareil.

Supportez le tuyau d'admission d'air à l'aide de colliers de soutien.



### AVIS

Ne coupez pas le tuyau d'admission. Couper le tuyau d'admission peut entraîner dans le bruit.

## Kits et pièces d'extension



① TUYAU D'EXTENSION (RÉGLABLE)



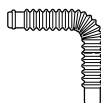
② TUYAU D'EXTENSION (NON RÉGLABLE)



③ TUYAU D'ADMISSION D'AIR



④ COUDE



⑤ COUDE LONG



⑥ JOINT DE TUYAUX



⑦ ARRÊT DE TUYAU A



⑧ ARRÊT DE TUYAU B



⑨ COLLIER DE TUYAUX



⑩ DISPOSITIF MURAL



⑪ ÉCROU



⑫ VIS A



⑬ VIS B

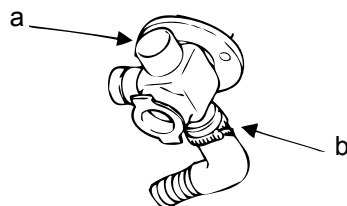
Réf.	Description	FOT-201	FOT-219	FOT-220	FOT-221	FOT-158	FOT-190
1	Conduite d'évacuation (réglable) 11,4-20,3 po (290-515 mm)		1				
1	Conduite d'évacuation (réglable) 21,0-39,6 po (533-1 005 mm)			1	1		
2	Conduite d'évacuation 40 po (1 016 mm)				1		
3	Tuyau d'admission d'air 29,5 po (750 mm)	1	1				
3	Tuyau d'admission d'air 49,2 po (1 250 mm)			1			
3	Tuyau d'admission d'air 90,6 po (2 300 mm)				1		
4	Coude					1	
5	Coude long	1					1
6	Joint de tuyaux	1	1	1	1		
7	Arrêt de tuyau A	1	1	1	2	1	1
8	Arrêt de tuyau B		1	1	1		
9	Collier de tuyaux		2 ensembles	3 ensembles	4 ensembles		
10	Dispositif mural		2	3	4		
11	Écrou		2	3	4		
12	Vis A		2	3	4		
13	Vis B		4	6	8		

## Branchement de l'appareil

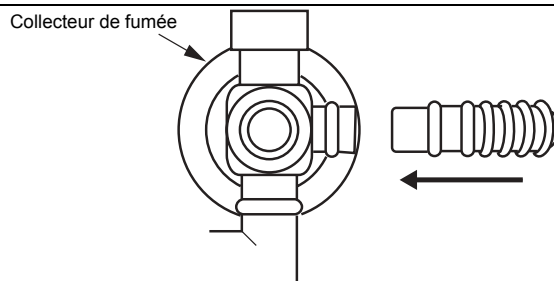
1. Fixez le tuyau d'arrivée d'air sur le collecteur de fumée sur les entrées « a » ou « b ».

La cravate en plastique doit être serré sur la manche.

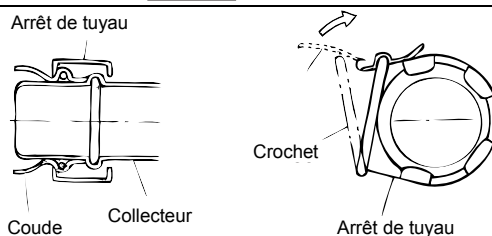
L'entrée non utilisée doit être fermée avec le bouchon en caoutchouc fourni avec le collecteur.



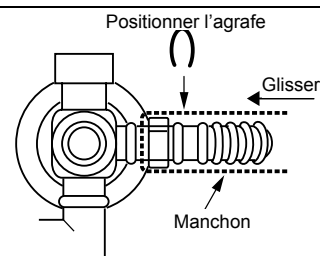
2. Branchez le coude de cheminée sur le collecteur tout en mettant l'appareil en place.



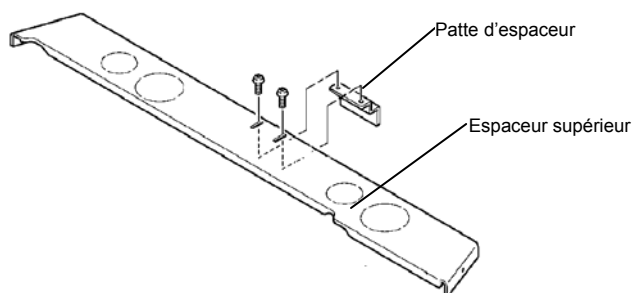
3. Adaptez la fermeture de tuyau sur le raccordement entre le coude de cheminée et le collecteur. Engagez le crochet et tournez-le jusqu'à ce qu'il s'enclenche contre le corps de l'étrier.



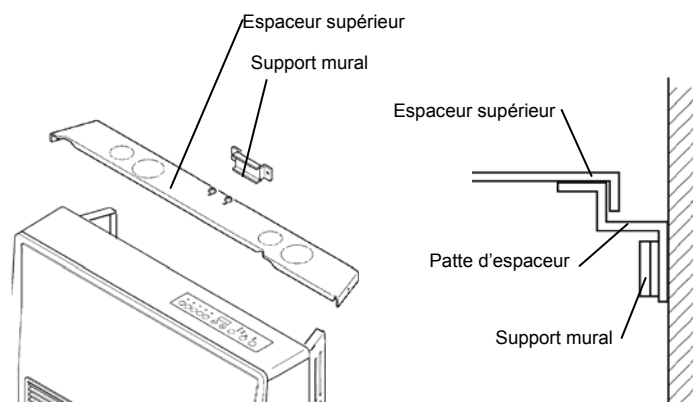
4. Faites glisser en remontant le manchon d'isolation et placez l'agrafe de fixation par-dessus le manchon comme illustré ci-contre.



5. Installez la patte à l'arrière de l'espaceur du haut en serrant deux vis.



6. Mettez en place le support mural avec deux vis. Installez l'espaceur supérieur en insérant sa patte dans le support mural et en le fixant sur le chauffage avec 2 vis.





## Ajustage et Replage de la Presion de Gas

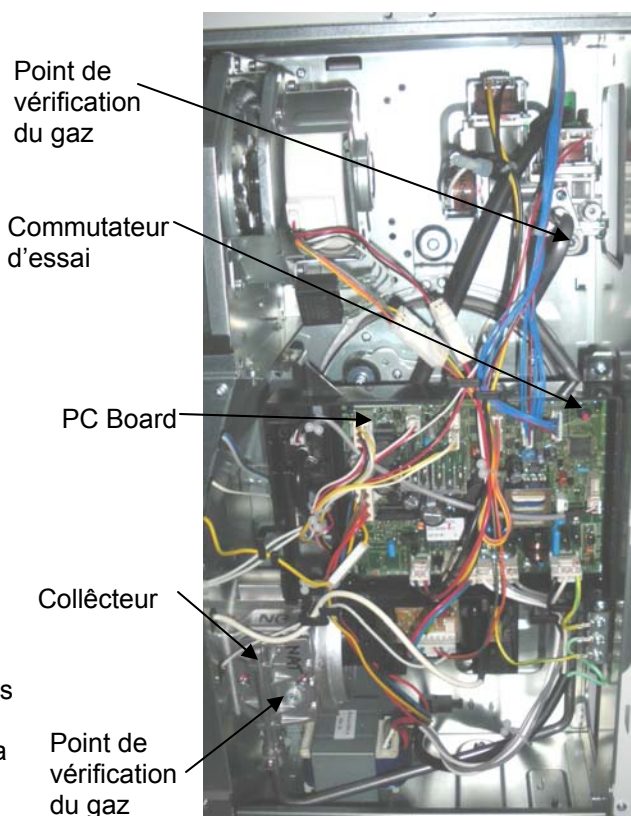
### ⚠ ATTENTION ⚡

Ne pas toucher aucuns autres secteurs sur le conseil de PC outre les commutateurs pendant que le pouvoir est fourni à l'appareil. Les parties du conseil de PC sont fournies avec 120 volts.

### ⚠ ATTENTION ⚡

Ne pas toucher les secteurs à ou près du panneau de verre ou près de l'échappement. Ces secteurs deviennent très chauds et pourrait causer des brûlures.

1. Eteindre le gaz et le pouvoir fournit.
2. Retirez les 5 vis qui le couvercle Persienne assembly et de front. Soulevez le panneau et puis supprimez-la.
3. Enlever deux vis de point de pression (1/8 robinet de NPT) avec 3/16 clé hexagonale coudée et attache le manomètre les deux ports de pression. Les deux points doivent être utilisés afin de mesurer la pression différentielle. S'assurer que le manomètre est convenablement calibré.
4. Allumez la fourniture de gaz et d'électricité à l'appliance. (Appuyez sur le bouton "Retour le jeu" après la mise sous tension le bloc d'alimentation.) Avec l'unité en position d'arrêt, appuyez sur le commutateur de test en haut de la carte PC jusqu'à ce qu'il émet un signal sonore.
5. Choisir le code correct sur l'utilisation d'exposition ▲ et ▼ bouton. Reportez-vous au tableau ci-dessous.



Code	Gaz Naturel				Gaz Propane			
	A1 / A5	A2 / A6	A3 / A7	A4 / A8	L1 / L5	L2 / L6	L3 / L7	L4 / L8
Altitude	0-2000 ft 0-610 m	2001-5200 ft 611-1585 m	5201-7700 ft 1586-2347 m	7701-10200 ft 2348-3109 m	0-2000 ft 0-610 m	2001-5200 ft 611-1585 m	5201-7700 ft 1586-2347 m	7701-10200 ft 2348-3109 m
<b>EX17C</b>								
Pression différentielle du collecteur - W.C. <b>Bas</b>	0.44 in (11 mm)	0.48 in (12 mm)	0.54 in (14 mm)	0.60 in (15 mm)	0.68 in (17 mm)	0.74 in (19 mm)	0.82 in (21 mm)	0.92 in (23 mm)
Pression différentielle du collecteur - W.C. <b>Haut</b>	1.6 in (40 mm)	1.4 in (35 mm)	1.2 in (32 mm)	1.1 in (29 mm)	2.7 in (69 mm)	2.4 in (61 mm)	2.2 in (55 mm)	2.0 in (50 mm)
<b>EX22C</b>								
Pression différentielle du collecteur - W.C. <b>Bas</b>	0.44 in (11 mm)	0.48 in (12 mm)	0.54 in (14 mm)	0.60 in (15 mm)	0.68 in (17 mm)	0.74 in (19 mm)	0.82 in (21 mm)	0.92 in (23 mm)
Pression différentielle du collecteur - W.C. <b>Haut</b>	2.6 in (65 mm)	2.2 in (57 mm)	2.0 in (52 mm)	1.8 in (47 mm)	4.0 in (101 mm)	3.5 in (89 mm)	3.1 in (80 mm)	2.9 in (72 mm)

- Appuyer le commutateur d'essai deux fois pour entrer ce code dans la mémoire.
- Appuyer l'interrupteur pour fonctionner l'appareil.
- Appuyer le commutateur d'essai deux fois. Le MENE affichera « PL » indiquant le mode de feu faible.
- Comparer la pression lisant sur le manomètre aux Données Techniques, le niveau bas de pression de test divers, pour le gaz étant utilisé. Si nécessaire ajuster la pression basse de feu utilisant le ▲ et ▼ boutons.
- Appuyer le commutateur d'essai. Le MENE affichera « PH ».
- Comparer la pression lisant sur le manomètre aux Données Techniques, la pression de test diverse - haut, pour le gaz étant utilisé. Si nécessaire ajuster l'haute pression de feu utilisant le ▲ et ▼ boutons.
- Appuyer l'interrupteur encore. Le vide MENE de virages d'exposition et l'appareil retournent au normal du mode.
- Enlever le manomètre et installer les vis de tête d'Allen. Fonctionner l'unité et

- vérifier la séquence normale d'opération
- visuellement inspecter la flamme
- le contrôle pour gaze des fuites aux points de test

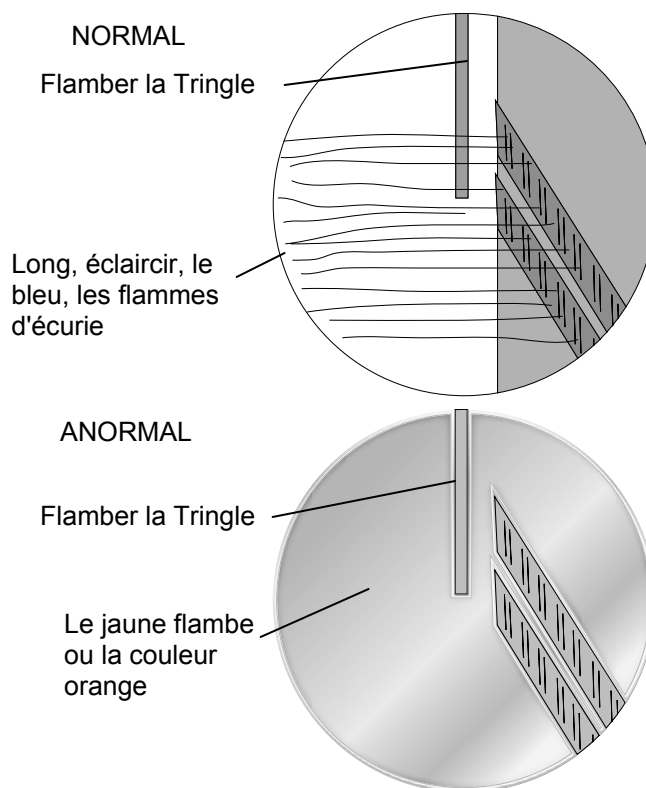
### La Séquence normale d'Opération

Quand vous appuyez l'interrupteur, l'exposition MENE illuminera, le ventilateur de combustion commencera à courir, et l'étincelle allumera le brûleur principal. Cet appareil de chauffage a un système d'allumage automatique. Quand le brûleur principal a lit, la lampe de combustion luira rouge, et l'étincelle arrêtera.

### L'Inspection visuelle de Flamme

Vérifier que les flammes de brûleur fonctionnent normalement. La flamme peut être vue par la fenêtre circulaire.

En fonctionnant normalement la flamme de brûleur doit apparaître comme long, éclaircir, le bleu, l'écurie, les raies. Le jaune flambe ou une couleur orange est anormale et l'entretien est exigé.



### Assemblée finale

- Installer le panneau de devant et la couverture de fond.
- Si vous faites une conversion de type de gaz, placer la nouvelle plaque de conversion (étiquette) sur le capot avant.

### À LIRE AVANT DE METTRE EN MARCHÉ, POUR VOTRE SÉCURITÉ





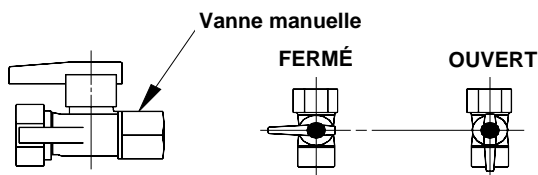
#### AVERTISSEMENT

Si vous ne suivez pas ces instructions à la lettre, il peut en résulter incendie ou explosion, entraînant dégâts et blessures sérieuses ou mortelles.

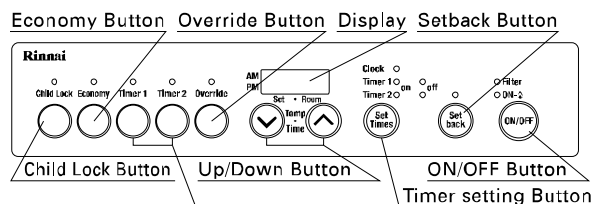
- Cet appareil ne comporte pas de veilleuse. Il est équipé d'un dispositif d'allumage qui allume automatiquement le brûleur. Ne tentez pas d'allumer le brûleur manuellement.
- AVANT DE FAIRE FONCTIONNER**, reniflez tout autour de l'appareil pour déceler une odeur de gaz. Reniflez près du plancher car certains gaz sont plus lourds que l'air et peuvent s'accumuler au niveau du sol.  
**QUE FAIRE SI VOUS SENTEZ UNE ODEUR DE GAZ**
  - Ne tentez pas d'allumer d'appareil.
  - Ne touchez à aucun interrupteur, ni à aucun téléphone de trouvant dans le bâtiment.
  - Appelez immédiatement votre fournisseur de gaz depuis un voisin et suivez ses instructions.
  - Si vous ne pouvez pas le joindre, appelez le service des incendies.
- Ne poussez ou tournez la manette d'admission du gaz qu'à la main, n'utilisez jamais d'outil. Si la manette reste coincée, n'essayez pas de la réparer, appelez un technicien de dépannage qualifié. Le fait de forcer ou de tenter une réparation vous-même peut amener un incendie ou une explosion.
- N'utilisez plus cet appareil s'il a été plongé dans l'eau même partiellement. Faites inspecter l'appareil par un technicien qualifié et remplacez toute pièce du système de contrôle et toute commande qui ont été plongées dans l'eau.

### INSTRUCTIONS DE DÉMARRAGE


- Définir le thermostat à la valeur la plus faible.
- Désactiver tous les électrique pour l'application en utilisant le bouton ON/OFF sur le panneau de configuration. Localisez le robinet de gaz manuelle sur la face arrière du chauffage.
- Activer la vanne manuelle dans le sens horaire pour le plein OFF position. 
- Tourner le robinet de gaz manuelle dans le sens inverse de la totalité de la position de marche. 
- Allumez tous les électrique pour l'application en utilisant le bouton ON/OFF.
- Définir le thermostat pour le paramètre de votre choix.
- Brûleur est allumé lorsque feu indicateur «ON tour rouge».
- «ON indicateur et code de faute 11, flash lorsque brûleur ne parvient pas à mettre le feu».
- Si le matériel ne fonctionne pas, suivez les instructions "To Turn Off gaz pour matériel" et appelez votre fournisseur de service de technicien ou de gaz. Consultez le manuel pour plus d'informations.



- Attendez cinq (5) minutes pour effacer tout gaz. Puis l'odeur de gaz, dont près de la parole. Si vous odeur de gaz, STOP ! Suivez "B" dans les informations de sécurité ci-dessus. Si vous n'odeur de gaz, passez à l'étape suivante.

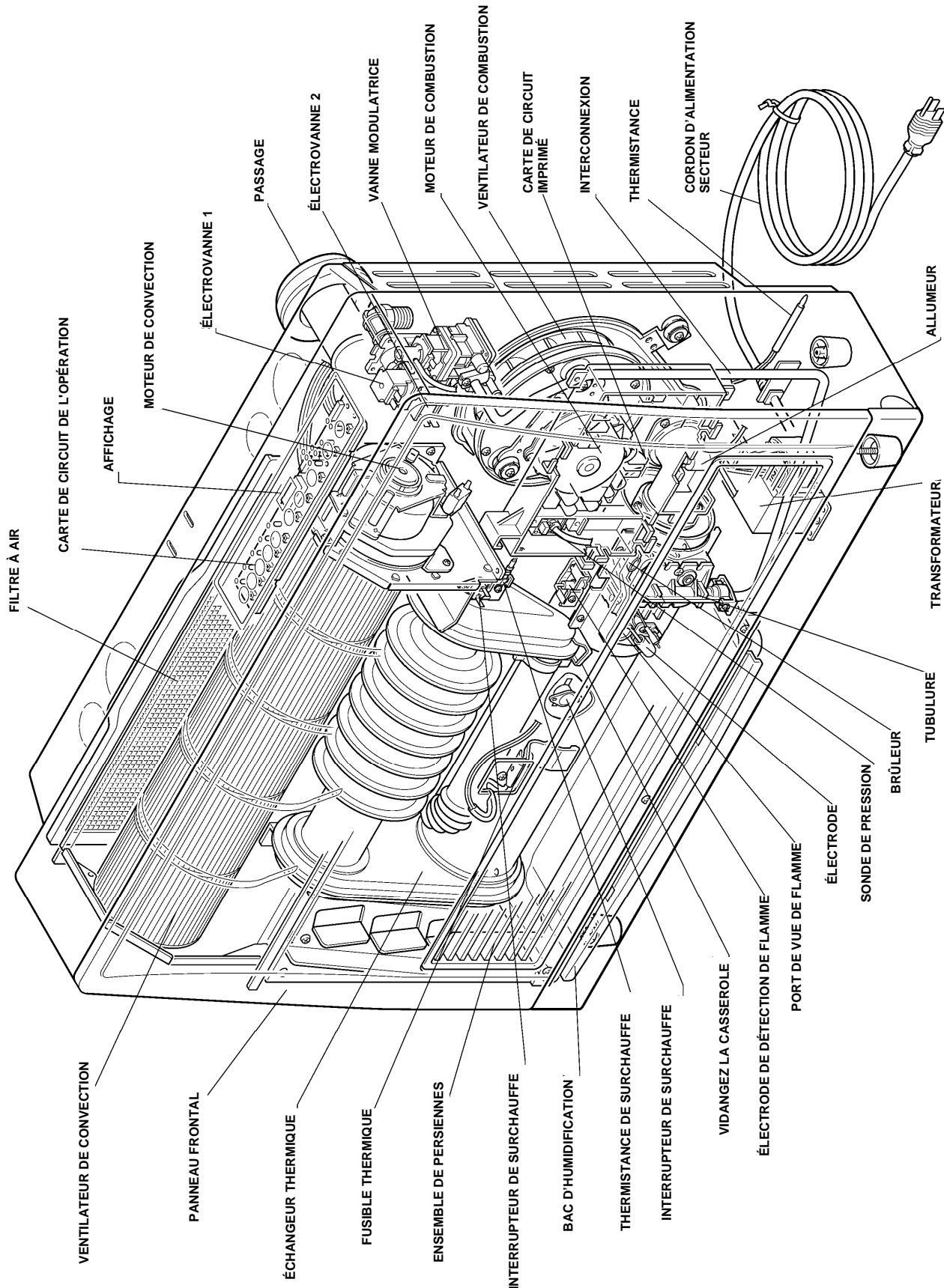


### COUPURE DE L'ALIMENTATION EN GAZ DE L'APPAREIL

- Positionnez le thermostat sur le réglage de consigne le plus bas possible.
- Coupez l'alimentation électrique de l'appareil par le bouton marche/arrêt (ON/OFF).
- Repérez le robinet de coupure manuelle de gaz sur le côté du chauffage. Tournez-le dans le sens horaire jusqu'à la fermeture totale (position OFF). 

**REMARQUE :** Le ventilateur va continuer de tourner jusqu'au refroidissement de l'appareil. Ne coupez pas l'appareil en débranchant la fiche de la prise secteur. Gardez le brûleur et le compartiment de contrôle propres. Reportez-vous aux instructions d'installation et d'utilisation.

# Schéma en coupe



## Schéma de câblage

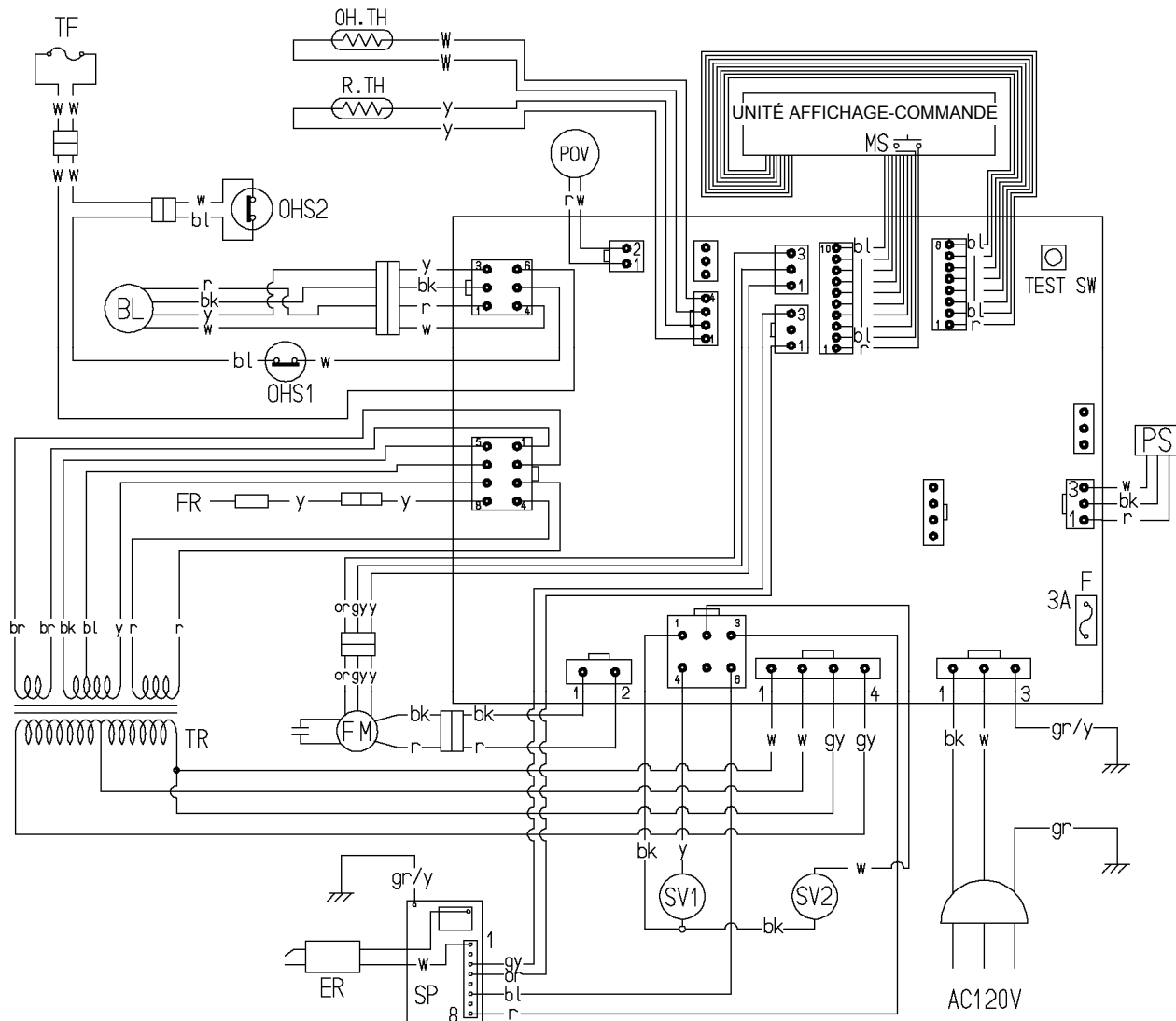
### ATTENTION

Étiquetez tous les fils avant les interventions de contrôle. Des erreurs de câblage peuvent causer un fonctionnement incorrect et dangereux. Vérifiez le bon fonctionnement après une intervention.

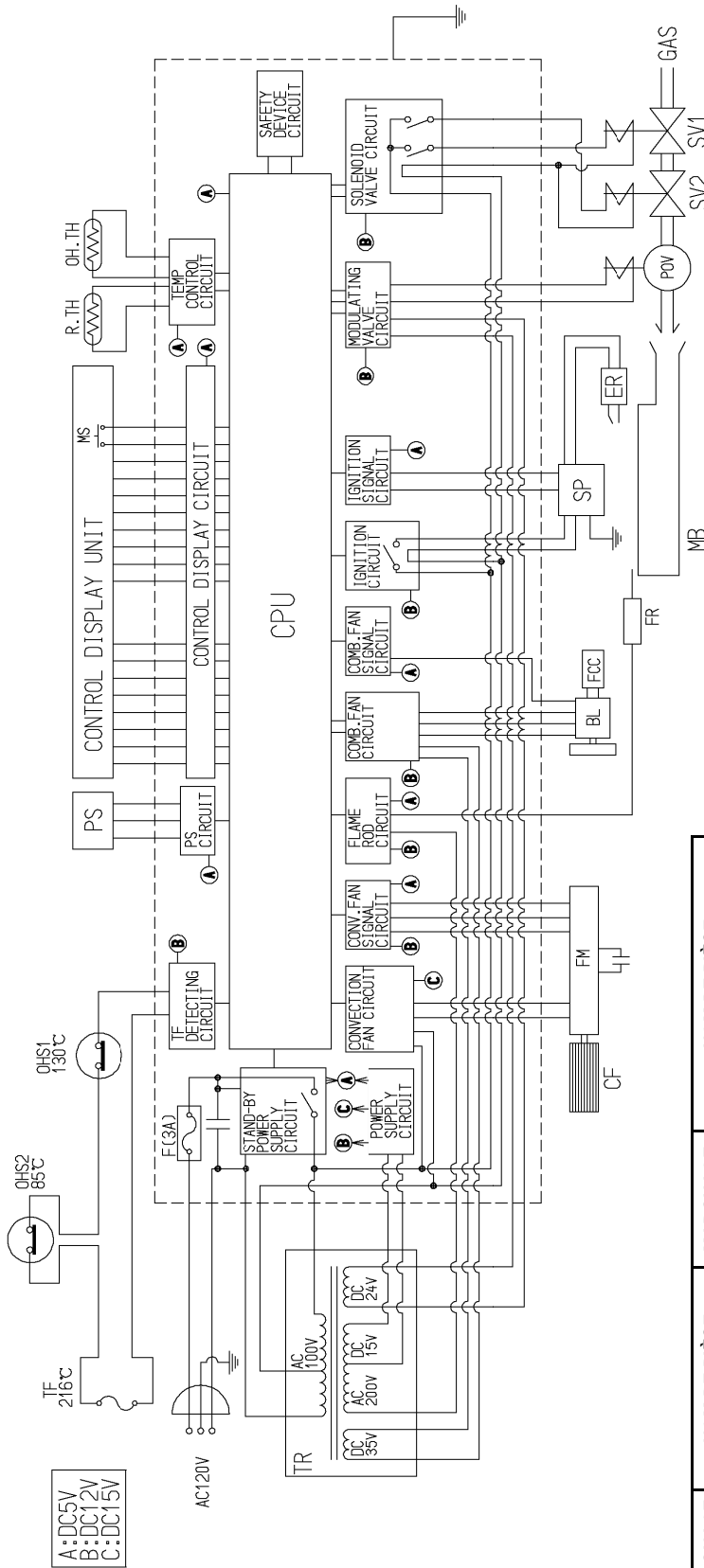
Si des fils d'origine livrés avec l'appareil ont besoin d'être remplacés, choisissez un fil de calibre 18 AWG ou équivalent.

MARQUAGE	NOM DE PIÈCE	MARQUAGE	NOM DE PIÈCE
MS	COMMUTATEUR PRINCIPAL	OH.TH	THERMISTANCE DE SURCHAUFFE
R.TH	THERMISTANCE	OHS 1, 2	INTERRUPTEUR DE SURCHAUFFE 1, 2
TF	FUSIBLE THERMIQUE	FM	MOTEUR DE VENTILATEUR DE CONVECTION
F	FUSIBLE	SP	ÉCLATEUR
ER	ÉLECTRODE	SV1, 2	ÉLECTROVANNE 1,2
POV	VANNE MODULATRICE	BL	MOTEUR DE VENTILATEUR DE COMBUSTION
TR	TRANSFORMATEUR	PS	DÉTECTEUR DE PRESSION
FR	ÉLECTRODE DE DÉTECTION DE FLAMME		

CODE	COLOR
bk	noir
bl	bleu
gr	vert
gr/y	Vert/jaune
r	rouge
w	blanc
y	jaune
gy	gris
or	orange
br	brun



# Diagramme logique



MARQUAGE	NOM DE PIÈCE	MARQUAGE	NOM DE PIÈCE
MS	INRERUPTEUR D'ALIMENTATION	OH.TH	THERMISTANCE DE SURCHAUFFE
R.TH	THERMISTANCE	OHS 1, 2	INTERRUPTEUR DE SURCHAUFFE 1-2
TF	FUSIBLE THERMIQUE	FM	MOTEUR DE VENTILATEUR DE CONVECTION
F	FUSIBLE	SP	ALLUMEUR
ER	ÉLECTRODE	SV1, 2	ÉLECTROVANNE 1-2
POV	VANNE MODULATRICE	BL	MOTEUR DE VENTILATEUR DE COMBUSTION
TR	TRANSFORMATEUR	FCC	CIRCUIT DE COMMANDE DE VENTILATION
FR	ÉLECTRODE DE DÉTECTION DE FLAMME	MB	BRÛLEUR PRINCIPAL
PS	DÉTECTEUR DE PRESSION	CPU	APPAREIL CENTRALE DE TRAITEMENT
CF	VENTILATEUR DE CONVECTION		

## Service à la clientèle

### Informations de garantie

L'installateur est responsable de l'installation correcte du chauffage.

Veillez compléter le questionnaire ci-dessous à garder dans vos archives :

Matériel acheté chez : \_\_\_\_\_

Adresse : \_\_\_\_\_ Téléphone : \_\_\_\_\_

\_\_\_\_\_

Date de l'achat : \_\_\_\_\_

Référence de modèle : \_\_\_\_\_

N° de série : \_\_\_\_\_

Installé par : \_\_\_\_\_ N° de licence de l'installateur : \_\_\_\_\_

Adresse : \_\_\_\_\_ Téléphone : \_\_\_\_\_

Date de l'installation : \_\_\_\_\_

### Garantie limitée

#### **Appareil de chauffage mural au gaz à ventilation directe**

##### **Qu'est-ce qui est couvert?**

Cette garantie couvre tous défauts dus aux matériaux et à la main-d'œuvre, dans les termes décrits plus loin. Elle s'applique à l'acheteur d'origine et s'étend aux éventuels propriétaires suivants mais uniquement quand le produit reste sur le site de son installation d'origine. Cette garantie dure après la première installation du produit mais cesse si le produit est déplacé et réinstallé ailleurs.

##### **Quelle est la durée de cette couverture?**

Partie	Période de couverture
Échangeur thermique	10 ans à partir de la date d'achat
Toutes les autres pièces	5 ans à partir de la date d'achat
Main-d'œuvre dans des limites raisonnables	2 ans à partir de la date d'achat

##### **Quel est l'engagement de Rinnai?**

Rinnai réparera toute partie ou composant défectueux du fait des matériaux ou de la main-d'œuvre dans les conditions qui suivent. Rinnai paiera dans les limites du raisonnable le coût de main-d'œuvre associé à la réparation ou au remplacement de toute partie ou composant. Toutes les pièces à réparer doivent être des pièces Rinnai d'origine. Toutes les réparations et tous les remplacements doivent être effectués par un dépanneur individuel ou une société de dépannage ayant reçu l'autorisation de Rinnai.

## Garantie limitée (Suite)

---

Le remplacement du produit ne peut être autorisé que par Rinnai. La société Rinnai ne permet à aucune personne ou société d'assumer pour elle toute obligation ou responsabilité relative au remplacement d'un produit. Si Rinnai détermine que la réparation d'un produit n'est pas possible, Rinnai le remplacera avec un produit comparable, à sa discrétion. Si un composant ou produit retourné à Rinnai est trouvé sans défauts relatifs aux matériaux ou à la main-d'œuvre, ou endommagé par une installation incorrecte ou durant le transport de retour, la demande d'application de garantie pour produit, pièces et main-d'œuvre sera rejetée.

### **Comment obtenir le service sous garantie?**

Vous devez contacter un prestataire de service qualifié/autorisé pour la réparation d'un produit dans le cadre de cette garantie. Pour obtenir le nom d'un tel dépanneur contactez votre point d'achat, visitez le site Web de Rinnai ([www.rinnai.us](http://www.rinnai.us)), appelez Rinnai au 1-800-621-9419 ou écrivez à Rinnai, 103 International Drive, Peachtree City, Georgia 30269, USA.

La preuve de votre achat sera exigée. Vous pouvez montrer votre facture ou ticket de caisse avec date que vous aurez conservé, ou en enregistrant le produit dans les 30 jours suivant son achat. Pour le faire, veuillez aller sur le site [www.rinnai.us](http://www.rinnai.us). Pour ceux qui n'ont pas accès à Internet, veuillez appeler au 1-866-RINNAI1 (745-6241). La réception de l'enregistrement par Rinnai constituera la preuve d'achat du produit. Cependant l'enregistrement n'est pas une obligation pour valider cette garantie.

### **Qu'est-ce qui n'est pas couvert?**

Cette garantie ne couvre pas les pannes ou difficultés de fonctionnement dues à :

- accident, abus, mauvaise utilisation
- altération
- application inadéquate
- cas de force majeure
- installation incorrecte (comme sans y être limité dommages par condensat, mauvaise ventilation, type ou pression de gaz incorrects)
- conversion incorrecte (incluant des conversions pour ajustement d'inventaire)
- entretien inadéquat (comme sans y être limité un blocage de la ventilation)
- dimensionnement incorrect
- toute cause autre que relative aux matériaux et à la main-d'œuvre de fabrication

Cette garantie ne s'applique pas à un produit dont le numéro de série ou la date de fabrication auraient été effacés.

### **Limitation des garanties**

Personne n'est autorisé à donner d'autres garanties au nom de Rinnai America Corporation. Sauf pour ce qui est expressément décrit ici, il n'y a pas d'autres garanties, expresses ou implicites, incluant sans y être limité les garanties de valeur marchande ou d'adéquation pour une finalité spécifique, qui s'étendrait au-delà de la description de garantie de ce document. De plus, Rinnai ne peut pas être tenu pour responsable des dommages spéciaux, accessoires, indirects ou consécutifs, ou de dommages autres similaires qui pourraient survenir, incluant perte de profits, dommage, dommages corporels ou dégâts matériels, perte de jouissance, désagréments, ou responsabilité découlant d'installation, entretien ou utilisation inappropriés. Certaines provinces ne permettant pas l'exclusion ou la limitation des dommages accessoires ou consécutifs, la limitation énoncée précédemment peut ne pas s'appliquer à votre cas.

Toutes garanties implicites de valeur marchande ou d'adéquation pour une finalité spécifique prises en compte selon la législation de l'état sont limitées en durée à la période de couverture fournie par cette garantie limitée, sauf si la période prévue par cette législation de province est plus courte. Certaines provinces ne permettant pas de limitations sur la durée de validité des garanties implicites, la limitation énoncée précédemment peut ne pas s'appliquer à votre cas.

Cette garantie vous donne des droits légaux spécifiques, et vous pouvez aussi avoir d'autres droits qui varient d'une province à l'autre.



# Notes

## Notes

## Notes

# Ask about — Rinnai®

Rinnai's other fine products

EXPERIENCE OUR INNOVATION™



## Tankless Water Heaters

- Residential and Commercial Applications
- Continuous Hot Water
- ENERGY STAR® qualified models
- Up to 9.8 GPM
- Internal or External Installation
- Digital Temperature Control



## Direct Vent Furnaces

- High Efficiency
- Cool-to-the-touch Cabinet
- Vent Terminal A Included
- Blower Included



## Direct-Vent Fireplace, RHFE-750ETRA

- Up to 83% AFUE Energy Efficiency
- Zero-Clearance Installation
- Available in Four Options of Fronts
- Remotes and Fan Included
- Gas Conversion Kit Available



## Hydronic Air Handler

- Designed for Use with Rinnai Systems
- Domestic Hot Water Priority
- Optional Programmable Thermostat
- Zero Clearance to Combustibles
- Accommodates Standard Cased-Coils



## Boilers

- Residential and Commercial Applications
- ENERGY STAR® qualified models
- Up to 96.5% AFUE efficiency
- Compact wall mounted design
- ASME accredited models



## Condensing Tankless Water Heaters

- Residential and Commercial Applications
- ENERGY STAR® qualified models
- Up to 95% thermal efficiency
- Internal or External Installation
- Pair up with the Rinnai Air Handler for efficient home heating



## Rinnai Impression - Outdoor Fireplace

- Options include one-sided open, two-sided open, and freestanding.
- No electrical requirements
- Propane or convertible to natural gas with conversion kit provided
- Modular construction offers design flexibility

Register your product at  
[www.rinnairegistration.com](http://www.rinnairegistration.com)  
or call 1-866-RINNAI1 (746-6241)

For information on Rinnai's products contact  
Rinnai America Corporation  
103 International Drive  
Peachtree City, GA 30269  
TOLL FREE: 1-800-621-9419  
FAX: 678-829-1666  
[www.rinnai.us](http://www.rinnai.us)



103120

RHF559-1232X01(00)

Printed in Japan 2010.06

## Free Manuals Download Website

<http://myh66.com>

<http://usermanuals.us>

<http://www.somanuals.com>

<http://www.4manuals.cc>

<http://www.manual-lib.com>

<http://www.404manual.com>

<http://www.luxmanual.com>

<http://aubethermostatmanual.com>

Golf course search by state

<http://golfingnear.com>

Email search by domain

<http://emailbydomain.com>

Auto manuals search

<http://auto.somanuals.com>

TV manuals search

<http://tv.somanuals.com>