

# Installation & Servicing Instructions

## High efficiency condensing gas boiler E75CN/E110CN E75CP/E110CP



Pictured: E75CN, E110CN  
E75CP, E110CP

### CAUTION!

Read this manual thoroughly before installing, servicing, putting into operation or using this boiler and vent system.

### WARNING!

Improper installation, adjustment, alteration, service or maintenance can cause property damage, personal injury or loss of life. Refer to this manual. For assistance or additional information consult a qualified installer or the gas supplier.

### CAUTION!

The user manual is part of the documentation that is delivered to the installation's operator. Go through the information in this manual with the owner/operator and make sure that he or she is familiar with all necessary operating instructions.

### NOTICE!

**Installation and service must be performed by a qualified installer, service technician or the gas supplier.**

In the Commonwealth of Massachusetts this boiler must be installed by a licensed Plumber or Gas Fitter.



### WARNING!

If you do not follow these instructions exactly, a fire or explosion may result causing property damage, personal injury or loss of life.

- Do not store or use gasoline or other flammable vapors and liquids in the vicinity of this or any other appliance.
- **WHAT TO DO IF YOU SMELL GAS**
  - Do NOT try to light any appliance.
  - Do NOT touch any electrical switch.
  - Do NOT use any phone in your building.
  - Immediately call your gas supplier from a neighbor's phone. Follow the gas supplier's instructions.
- If you cannot reach your gas supplier, call the fire department.

# Rinnai®

EXPERIENCE OUR INNOVATION™

Address: 103 International Drive, Peachtree City, GA, 30269  
Toll-free: 1-800-621-9419 • Fax: 678-829-1666 • [www.rinnai.us](http://www.rinnai.us)

These instructions to be retained by user.

**Contents of instructions**

These installation instructions contain important information for the safe installation, start-up and maintenance of boilers with capacities 75,000 through 110,000 BTU/hr.

These installation instructions are intended for professional installers, who have the necessary knowledge and are approved for working on heating and gas systems.

**Subject to technical changes**

Changes may be made without notice to the illustrations, process steps and technical data as a result of our policy of continuous improvement.

**Updating of documentation**

Please contact us if you have any suggestions for improvements or corrections.

Find our contact details on the back of this manual.

---

**California Proposition 65** lists chemical substances known to the state to cause cancer, birth defects, death, serious illness or other reproductive harm. This product may contain such substances, be their origin from fuel combustion (gas, oil) or components of the product itself.

# Content

1	Safety and general instructions	4
1.1	Designated use	4
1.2	Hazard definitions	4
1.3	Symbol definitions	4
1.4	The following instructions must be followed	5
1.5	Follow these instructions for the space heating water	6
1.6	Tools, materials and additional equipment	6
1.7	Relevant Installation, Service and User manuals	6
1.8	Disposal	6
2	Regulations and guidelines	7
3	Description of the boiler	8
4	Packaging and transportation	9
4.1	Scope of delivery	9
4.2	Transportation	9
5	Installation	10
5.1	Requirements for the installation room	10
5.2	Fitting the boiler	11
5.3	Dimensions	12
5.3.1	Plumbing kits	14
5.3.2	Clearances from appliance	15
5.4	Technical specifications	16
6	Connecting the boiler	17
6.1	Central heating system	17
6.1.1	Plumbing Kit installation	18
6.1.2	Safety valve	19
6.1.3	Low water cut off	20
6.2	Expansion tank	20
6.3	Underfloor heating system (plastic pipes)	21
6.4	Gas supply connection	21
6.4.1	Gas connection with natural gas	22
6.4.2	Gas connection with propane gas	23
6.5	Hot water supply	24
6.6	Condensate drain pipe	24
6.7	Vent system and air supply system	25
6.7.1	Intake / Exhaust Guidelines	25
6.7.2	Examples vent and air supply systems	26
6.7.3	Installation of the vent system	28
6.7.4	Recommended vent/air intake terminal position	29
6.7.5	Dimensioning of the exhaust and air intake duct	31
6.7.6	Combustion air and vent piping lengths	32
6.7.7	Calculation of compensation factor	33
6.7.8	Room Air System (outdoor combustion air)	34
7	Electrical connections	37
8	Boiler controls	40
8.1	Explanation of the function buttons	41
9	Starting up: Filling and de-aerating the boiler and installation	42
9.1	Requirements of the water system	42
9.2	Filling the heating system	43
9.3	Hot water supply	44
10	Adjustments	46
10.1	Altering adjustments	46
10.2	Activating factory settings (green button function)	49
11	Isolating the boiler	49
12	Commissioning	50
12.1	Testing for gas leaks	51
12.2	Testing the Ignition Safety shut off device	51
12.3	Checking for contamination	52
12.4	Checking of the zero pressure control	53
12.5	Checking the O <sub>2</sub>	54
12.6	Measuring the ionization current	55
12.7	Installing the casing	55
13	Maintenance	56
13.1	Periodic examination of venting and boiler	56
13.2	Inspection	56
13.2	Maintenance activities	58
13.3	Warranty	60
14	Parts of the boiler	61
15	Blocks and errors	62
16	Other errors	86
17	Spare parts	92
18	Parts list vent system	102
19	Common venting guidelines	103
	Appendix A Outdoor Reset Sensor Data	104

# 1 Safety and general instructions

Please observe these instructions in the interest of your own safety.

## 1.1 Designated use

The boiler is designed for heating water for a central heating system and generating domestic hot water. The boiler is delivered with a burner controller (MCBA) pre-installed. The boiler can be fitted with a modulating outdoor reset sensor ARV12 (included with the boiler) or an On/Off thermostat or relay panel end switch (accessories).

## 1.2 Hazard definitions

The following defined terms are used throughout the documentation to bring attention to the presence of hazards of various risk levels. Notices give important information concerning the operation of the product.



**DANGER**

**DANGER:**

Indicates the presence of hazards that will cause severe personal injury, death or substantial property damage.



**WARNING**

**WARNING:**

Indicates the presence of hazards that can cause severe personal injury, death or substantial property damage.



**CAUTION**

**CAUTION:**

Indicates presence of hazards that will or can cause minor personal injury or property damage.



**CAUTION**

**CAUTION:**

Risk of electric shock. Indicates presence of hazards due to electric shock.



**NOTICE**

**NOTICE:**

Indicates special instructions on installation, operation or maintenance that are important but not related to personal injury or property damage.

## 1.3 Symbol definitions

The following (safety) symbols may be encountered in these installation instructions and on the unit:



**This symbol indicates that the unit must be stored away from frost.**



**This symbol indicates that the packaging and/or contents can be damaged as a result of insufficient care taken during transport.**



**This symbol indicates that, whilst still in its packaging, the unit must be protected from weather conditions during transport and storage.**



## 1.4 The following instructions must be followed

- The boiler must only be used for its designated purpose, as described in the Installation Instructions.
- Each unit is fitted with a data plate. Consult the details on this plate to verify whether the boiler is compliant with its intended location, e.g.: gas type, power source and venting classification.
- Only use the boiler with the accessories and spare parts listed.
- Other combinations, accessories and consumables must only be used if they are specifically designed for the intended application and do not affect the system performance and the safety requirements.
- Maintenance and repairs must only be performed by trained professionals.
- Installation of a condensing gas boiler must be reported to the relevant gas utility company and have it approved.
- You are only allowed to operate the condensing gas boiler with the vent system that has been specifically designed and approved for this type of boiler.
- Please note that local permission for the vent system and the condensate water connection to the public sewer system may be required.

You must also respect:

- The local building codes stipulating the installation rules.
- The local building codes concerning the air intake and outlet systems and the chimney connection.
- The regulations for the power supply connection.
- The technical rules laid down by the gas utility company concerning the connection of the gas connection to the local gas mains.
- The instructions and standards concerning the safety equipment for the water/ space heating system.
- The Installation Instructions for building heating systems.
- The boiler must be located in an area where leakage of the boiler or connections will not result in damage to the area adjacent to the boiler or to lower floors of the structure. When such locations cannot be avoided, it is recommended that a suitable drain pan be installed under the boiler.
- The boiler must be installed in such way that the all components are protected from water (dripping, spraying, rain etc.) during boiler operation and service.
- The boiler must not be installed on or against carpeting.
- Do not restrict or seal any air intake or outlet openings.
- If you find any defects, you must inform the owner of the system of the defect and the associated hazard in writing.



**DANGER**

**DANGER. Gas is flammable and may cause an explosion.  
Beware if you smell gas: there may be an explosion hazard!**

If the information in these instructions is not followed exactly, a fire or explosion may result causing property damage, personal injury or death.

- Do not store or use gasoline or other flammable vapors and liquids in the vicinity of this or any other appliance.



**WARNING**

### **WHAT TO DO IF YOU SMELL GAS**

- Do NOT try to light any appliance.
- Do NOT touch any electrical switch.
- Do NOT use any phone in your building.
- Immediately call your gas supplier from a neighbor's phone. Follow the gas supplier's instructions.
- If you cannot reach your gas supplier, call the fire department.

**Should overheating occur or the gas supply fail to shut off, do not turn off or disconnect the electrical supply to the pump. Instead, shut off the gas supply at a location external to the appliance.**

## 1.5 Follow these instructions for the space heating water

Unsuitable heating system water can cause the formation of scale or sludge, which affects system efficiency. It can also cause corrosion and reduce life of the heat exchanger.

- You must follow Rinnai guidelines for boiler water quality.
- Thoroughly flush the system prior to filling.
- Follow the Rinnai cleaning instructions.
- Never use water that has been treated by salt bedding exchangers, reverse osmosis, D.I., or distilled water to soften the water to fill the heating system.
- Do not use inhibitors or other additives unless approved by Rinnai for that purpose!
- When frost protection of the heating system is desired, only use Rinnai-approved antifreezes, Noble Noburst Aluminum, or Rhomar RhoGard Aluminum Safe Multi-Metal.
- When using oxygen-permeable pipes, e. g. for under floor heating systems, you must separate the system from the boiler using plate heat exchangers.
- Valve off boiler while flushing system, do not introduce any system cleaner into the boiler loop. Flush system thoroughly to remove all system cleaner before filling boiler.

See the Rinnai Boiler Applications Manual and chapter 10 for additional information.

## 1.6 Tools, materials and additional equipment

For the installation and maintenance of the boiler you will need:

- Standard tools for space heating, gas and water fitting
- Digital manometer, capable of reading both positive and negative pressure (accuracy -0.001" W.C.)
- Combustion analyzer (intended for use with condensing boilers)
- Digital multimeter
- pH digital meter
- Metric Allen wrenches
- Metric socket wrenches

In addition, a handtruck with a fastening belt is useful.

For maintenance to the boiler you need, apart from standard tooling for space heating, gas and water fitting the following items:

- Rinnai toolkit Q and E-Series

## 1.7 Relevant Installation, Service and User manuals

- Vent system
- Rinnai Boiler Applications Manual

## 1.8 Disposal

- Dispose of the boiler packaging in an environmentally sound manner.
- Dispose of components of the heating system (e.g. boiler or control device), that must be replaced in an environmentally responsible manner.

## 2 Regulations and guidelines

The installation must comply to the requirements of the authority having jurisdiction or, in the absence of such requirements, to the latest edition of the National Fuel Gas Code, ANSI Z223.1/NFPA 54. In Canada, installation must be in accordance with the requirements of CAN/CSA B149.1, Natural Gas and Propane Installation Code.

Where required by the authority having jurisdiction, the installation must comply to the Standard for Controls and Safety Devices for Automatically Fired Boilers, ANSI/ASME CSD-1.

Install CO detectors per local regulations. Boiler requires an inspection every 2 years and maintenance every 4 years or 4000 hours. See maintenance section chapter 14.

Operating Limits of the boiler:

Max. boiler temperature: 176 °F (80.0 °C)

Max. operating pressure: 45 psi (3 bar)

Max Allowable Working Temperature ASME: 200 °F (93 °C)

Max. Allowable Working Pressure ASME: 45 psi (3 bar)

The hot water distribution system must comply with all applicable codes and regulations. When replacing an existing boiler, it is important to check the condition of the entire hot water distribution system to ensure safe operation.



### NOTICE

**For installations in the Commonwealth of Massachusetts**, the following local requirements apply in addition to all other applicable NFPA requirements:

For direct- vent boilers, mechanical-vent heating appliances or domestic hot water equipment, where the bottom of the vent terminal and the intake is installed below four feet above grade the following requirements must comply:

- 1) If not present on each floor level where there are bedrooms, a carbon monoxide detector and alarm must be placed in a living area outside the bedrooms. The carbon monoxide detector and alarm must comply with NFPA 720 (2005 Edition).
- 2) A carbon Monoxide detector and alarm shall be located in the room that houses the appliance and/or equipment and shall:
  - a) Be powered by the same electrical circuit as the appliance and/or equipment such that only one service switch services both the appliance and the carbon monoxide detector;
  - b) Have battery back-up power;
  - c) Meet ANSI/UL 2034 Standards and comply with NFPA 720 (2005 Edition); and
  - d) Have been approved and listed by a Nationally Recognized Testing Lab as recognized under 527 CMR.
- 3) A product-approved vent terminal must be used, and if applicable, a product approved air intake must be used. Installation shall be performed in strict compliance with the manufacturer's instructions. A copy of the installation instructions shall remain with the appliance and/or equipment at the completion of the installation.
- 4) A metal or plastic identification plate shall be mounted at the exterior of the building, four feet directly above the location of vent terminal. The plate shall be of sufficient size to be easily read from a distance of eight feet away, and read "**Gas Vent Directly Below**".

For direct-vent boilers mechanical-vent heating boilers or domestic hot water equipment where the bottom of the vent terminal and the intake is installed higher than four feet above grade the following requirements must comply:

- 1) If not present on each floor level where there are bedrooms, a carbon monoxide detector and alarm must be placed in a living area outside the bedrooms. The carbon monoxide detector and alarm must comply with NFPA 720 (2005 Edition).
- 2) A carbon monoxide detector shall:
  - a) Be located in the room where the boiler and/or equipment is located;
  - b) Be either hard-wired or battery powered or both; and
  - c) Shall comply with NFPA 720 (2005 Edition).
- 3) A product-approved vent terminal must be used, and if applicable, a product-approved air intake must be used. Installation shall be in strict compliance with the manufacturer's instructions. A copy of the installation instructions shall remain with the appliance and/or equipment at the completion of the installation.

### 3 Description of the boiler

**Room sealed boiler**  
 The boiler retrieves its combustion air from outside then discharges the flue gasses to the outside.

**Condensing**  
 Retrieves heat as much as possible from the flue gasses. Water condensates on the heat exchanger.

**Modulating**  
 Stepless higher or lower burning according to the heat demand.

The Rinnai E boiler is a room sealed, condensing and modulating central heating boiler, with an integrated DHW facility.

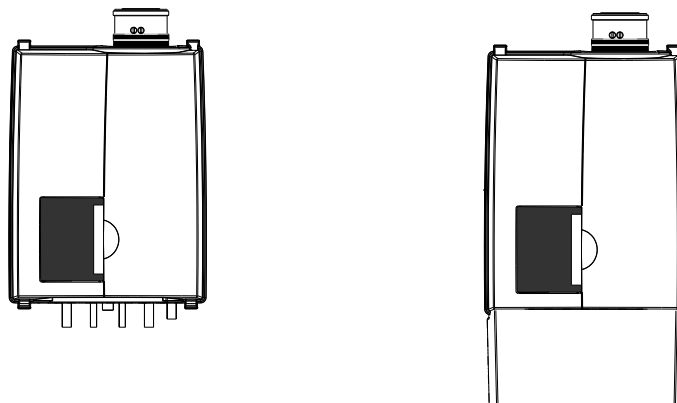
The boiler is provided with a compact stainless steel heat exchanger with smooth tubes. This design is a well thought out principle using durable materials. The boiler burns gas for supplying heat. The heat is transferred in the heat exchanger to the water in the central heating system. By cooling down the exhaust gases condensate is formed. This results in high efficiency. The condensate, which has no effect on the heat exchanger and the function of the boiler, is drained through condensate collector trap.

The boiler is provided with an intelligent control system (CMS Control Management System). The boiler anticipates the heat demand of the central heating system or the domestic hot water facility system.

When an outdoor sensor is connected to the boiler it will operate weather dependantly using outdoor reset. This means that the boiler control measures the outside temperature and supply temperature. With this data the boiler calculates the optimal supply temperature for the installation.

Explanation of the appliance type: Rinnai E110CN  
 E = Type  
 110 = Nominal load in (x1000) BTU  
 C = C = Combi  
 N = Natural Gas (P = Propane Gas)

Different boiler types:



Combi boiler with integrated DHW facility

E75CN E75CP	E110CN E110CP
----------------	------------------

## 4 Packaging and transportation

### 4.1 Scope of delivery

The boiler is supplied ready for use.

- Please check if the packaging is intact.
- Check if all the items listed are included in the delivery.

The supply kit is contents:

- Boiler with casing;
- Automatic air separator (inside the boiler);
- Wall mounting suspension bracket;
- Bronze adapter fittings;
- 3" PP exhaust adapters (x2);
- Plumbing kit
- Fixing material consisting of plugs and screws;
- Template;
- Installation instructions;
- User manual;
- Service manual;
- Outdoor sensor ARV12
- 3/4" gas shut off valve

### 4.2 Transportation



#### CAUTION

**The boiler may be damaged when not secured properly.**

- Only transport the boiler using appropriate transportation equipment, such as a handtruck with a fastening belt or special equipment for maneuvering steps.
- When shipping the boiler must be secured on the transportation equipment to prevent it from falling off.
- Protect all parts against impacts if they are to be transported.
- Follow the transportation markings on the packaging.
- Packaged boilers must always be lifted and carried by two people, or you must use a handtruck or special equipment for transport.

### 5.1 Requirements for the installation room



#### DANGER

- The room where the boiler will be installed must always be frost free.
- Do not store or use gasoline or other flammable vapors and liquids in the vicinity of this or any other appliance.
- Never use or store any chlorinated detergents or halogenated hydrocarbons (e.g. in spraycans, solvents and detergents, paints, adhesives) in proximity of the boiler.
- The boiler must be installed in such a way that it is protected from water (dripping, spraying, rain, etc.) during boiler operation and service (circulator replacement, condensate trap, control replacement, etc.)
- This boiler is for intended for indoor installations only.

#### Products to avoid present in boiler room and/or around combustion air intake

Spray cans containing chloro-/fluorocarbons  
Ammonium and/or ammonium solutions  
Permanent wave solutions  
Chlorinated waxes and/or cleaners  
Swimming pool chemicals based on chlorine  
Calcium chloride used for thawing  
Sodium chloride used for water softening  
Refrigerant leaks  
Paint or varnish removers  
Hydrochloric acid/muriatic acid  
Cements and glues  
Antistatic fabric softeners used in clothes dryers  
Chlorine-type bleaches, detergents, and cleaning solvents found in household laundry rooms  
Adhesives used to fasten building products and other similar products

#### Areas likely to have contaminants

Dry cleaning/laundry areas and establishments  
Swimming pools  
Metal fabrication plants  
Beauty shops  
Refrigeration repair shops  
Photo processing plants  
Auto body shops  
Plastic manufacturing plants  
Furniture refinishing areas and establishments  
New building construction  
Remodeling areas  
Garages with workshops

## 5.2 Fitting the boiler

- Remove the packaging materials.



- **Lay the boiler on its back during unpacking. Remove the casing from the boiler. This part can be left apart during installation. It must be placed on the boiler and fixed with the screw behind the door and in the 4 quick releases before the boiler is started up.**



**Turn the boiler to its side and remove the wall bracket from the back of the boiler by removing the 2 screws.**

The boiler can be mounted practically to any wall with the suspension bracket and the enclosed mounting equipment.

- The wall must be flat and of sufficient strength in order to be able to securely hold and support the boiler weight with its water content.
- Take note of the necessary space around the boiler for installation of venting system, pipework and servicing. See drawing on pages 12 to 15.

The location of the boiler can be determined by using the template supplied with the boiler documentation. Remember to account for the spacing of the plumbing kit.

- Drill the necessary holes using the template
- Install the mounting bracket to the wall using the supplied mounting materials



**Lifting and carrying precautions:**

**To avoid personal injury please follow these recommendations:**

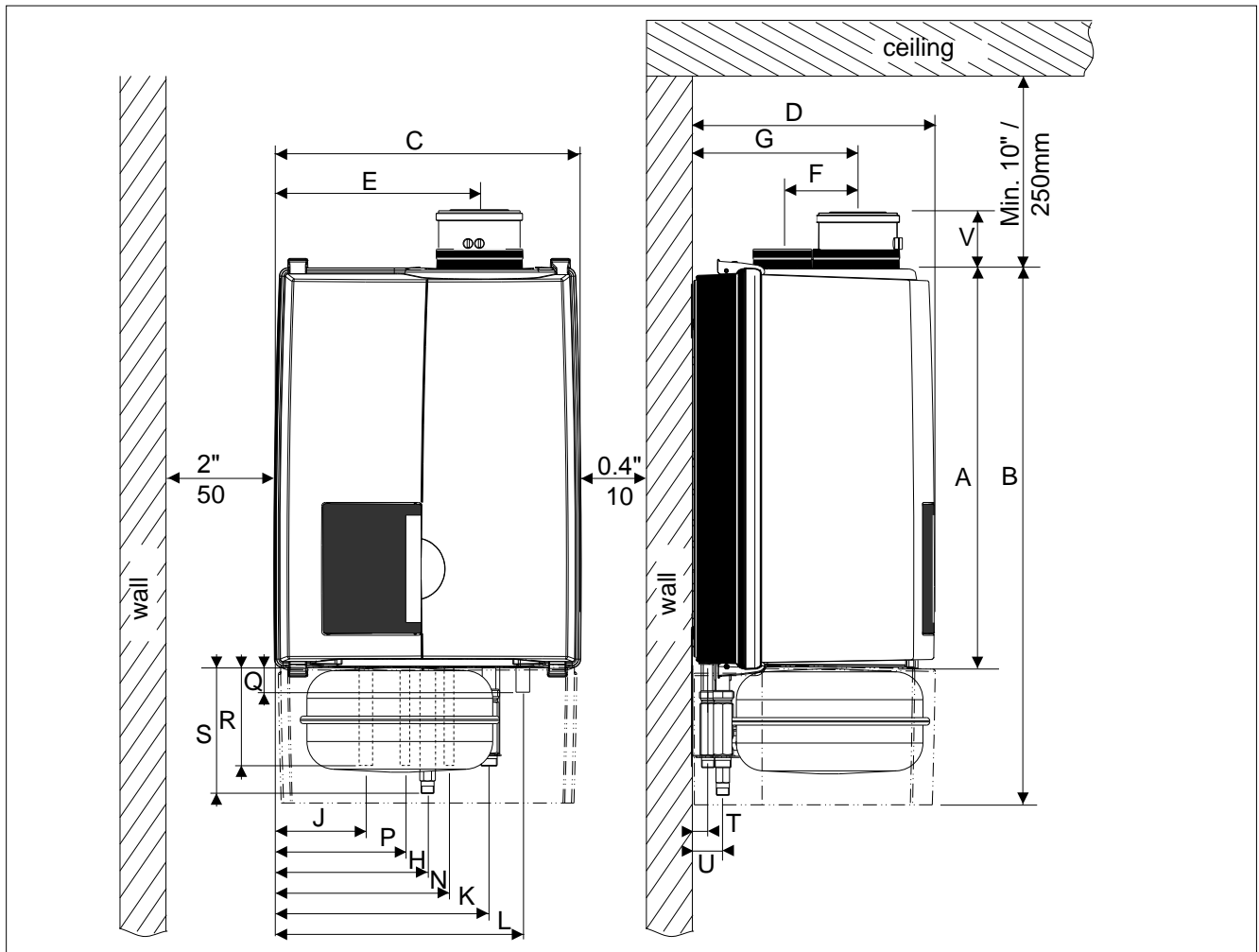
- **Always lift the boiler with 2 people or use special equipment.**
- **When lifting the boiler, bend the knees, and keep the back straight and feet apart.**
- **Do not lift and twist at the same time.**
- **Lift and carry the boiler close to the body.**
- **Wear protective clothing and gloves to protect from any sharp edges.**



**Lift the boiler only by the boiler's rear wall.**

- Dispose the packaging materials.

## 5.3 Dimensions



dimensions

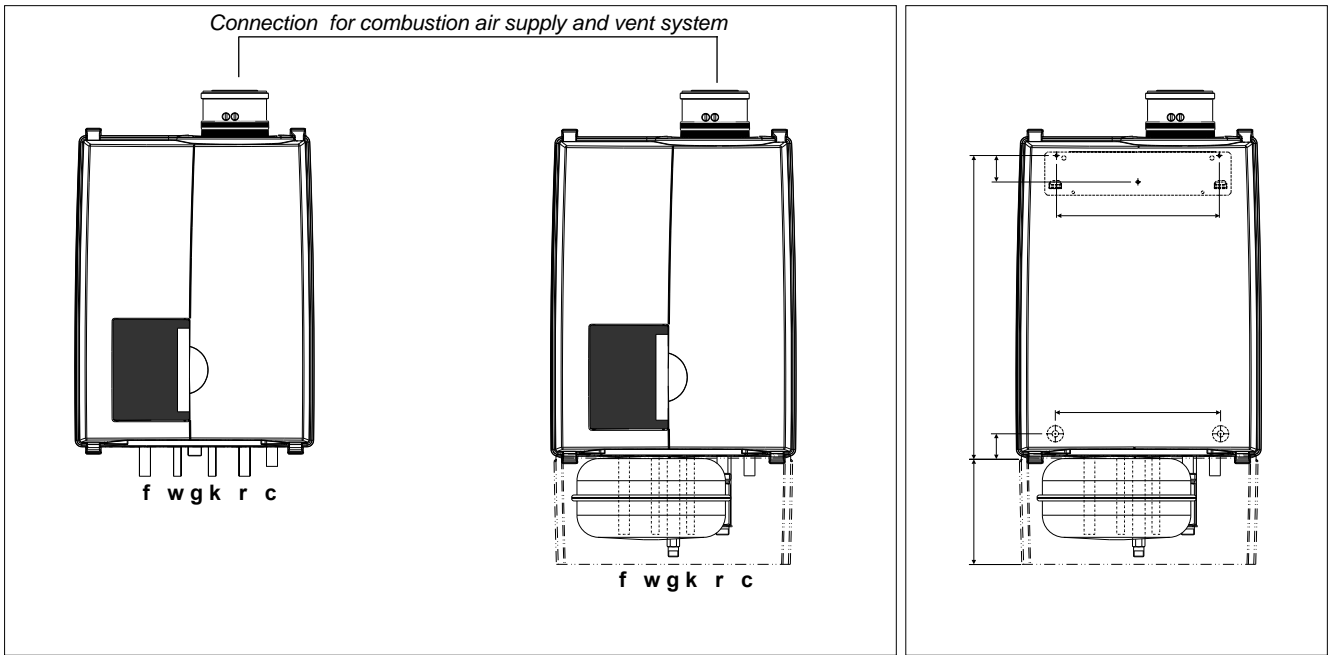
figure 1

	Boiler type	Combi	
	E75CN E75CP	E110CN E110CP	
	inches / mm	inches / mm	
A	Height	25.6" / 650	25.6" / 650
B	Height with expansion tank		34.3" / 870
C	Width	19.7" / 500	19.7" / 500
D	Depth	15.6" / 395	15.6" / 395
E	Left side / vent	13.2" / 335	13.2" / 335
F	Center to center / vent and air supply	4.7" / 120	4.7" / 120
G	Back / vent	10.6" / 270	10.6" / 270
H	Left side / gas pipe	9.8" / 250	9.8" / 250
J	Left side / supply pipe	5.9" / 150	5.9" / 150
K	Left side / return pipe	13.8" / 350	13.8" / 350
L	Left side / condensate pipe	15.9" / 405	15.9" / 405
N	Left side / cold water pipe	11.2" / 285	11.2" / 285
P	Left side / hot water pipe	8.5" / 215	8.5" / 215
Q	Pipe length of g*	0.7" / 19	8.5" / 215
R	Pipe length of c*	1.6" / 40	1.6" / 40
S	Pipe length of f, r, k and w*	2" / 50	6.3" / 160
T	Back / Center of pipe c, k and w*	1" / 26	1" / 26
U	Back / Center of pipe f, g and r*	2" / 50	2" / 50
V	Pipe length vent co-axial	3.7" / 95	3.7" / 95
	Pipe length vent parallel	7" / 177	7" / 177

dimensions

table 1





boiler connections / mounting points

figure 2

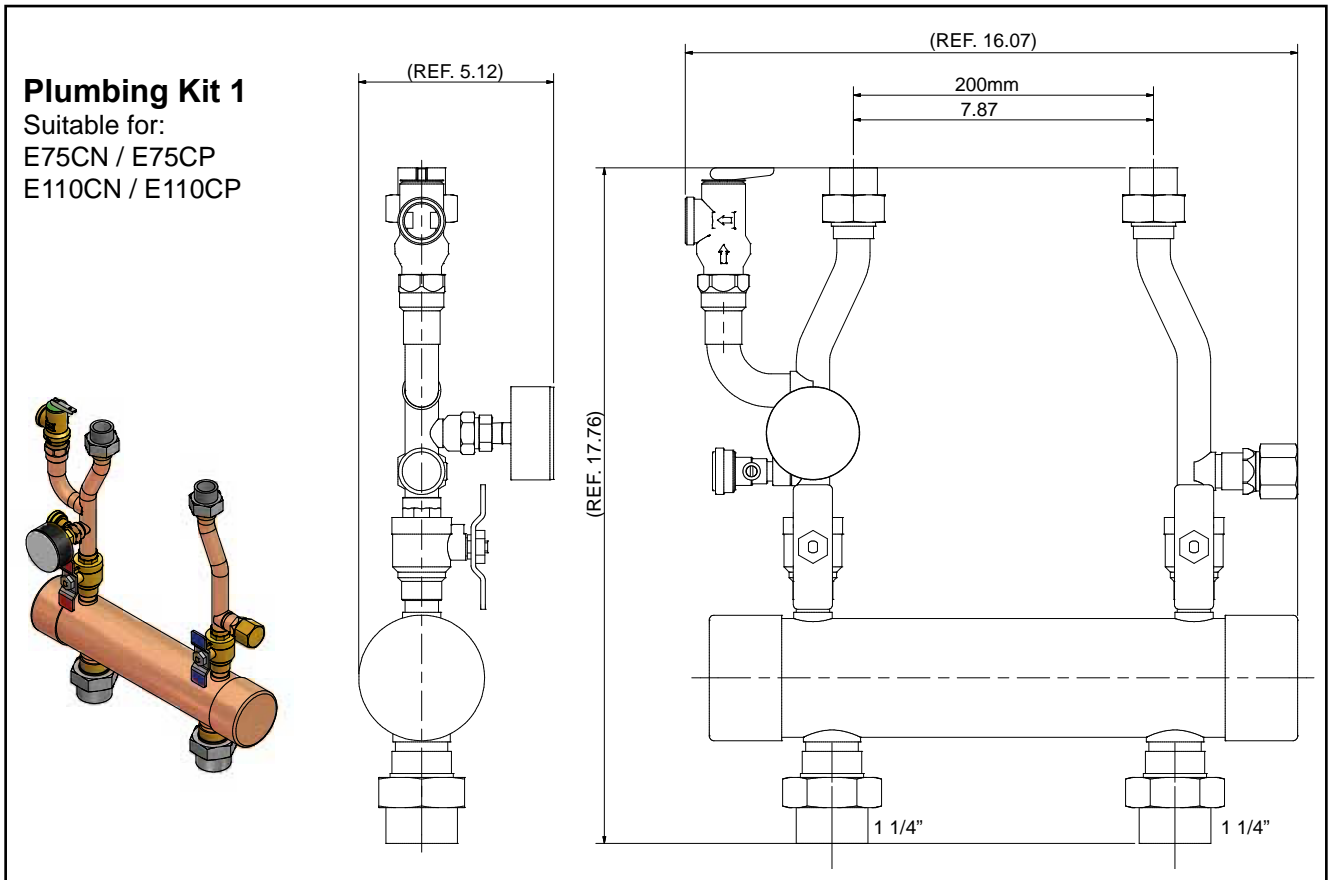
Boiler type	Combi	
	E75CN E75CP	E110CN E110CP
Vent system / Combustion air supply	80/125mm	80/125mm
Gas pipe - g	3/4"M-NPT	3/4"M-NPT
Supply pipe - f	0.87" x 3/4"M-NPT / 22mm	G3/4"x 3/4"M-NPT
Return pipe - r	0.87" x 3/4"M-NPT / 22mm	G3/4"x 3/4"M-NPT
Condensate pipe - c	0.87" / 22mm	0.87" / 22mm
Cold water pipe - k	0.59" x 3/4"M-NPT / 15mm	G1/2"x 3/4"M-NPT
Hot water pipe - w	0.59" x 3/4"M-NPT / 15mm	G1/2"x 3/4"M-NPT

connection diameters

table 2

## 5.3.1 Plumbing Kits

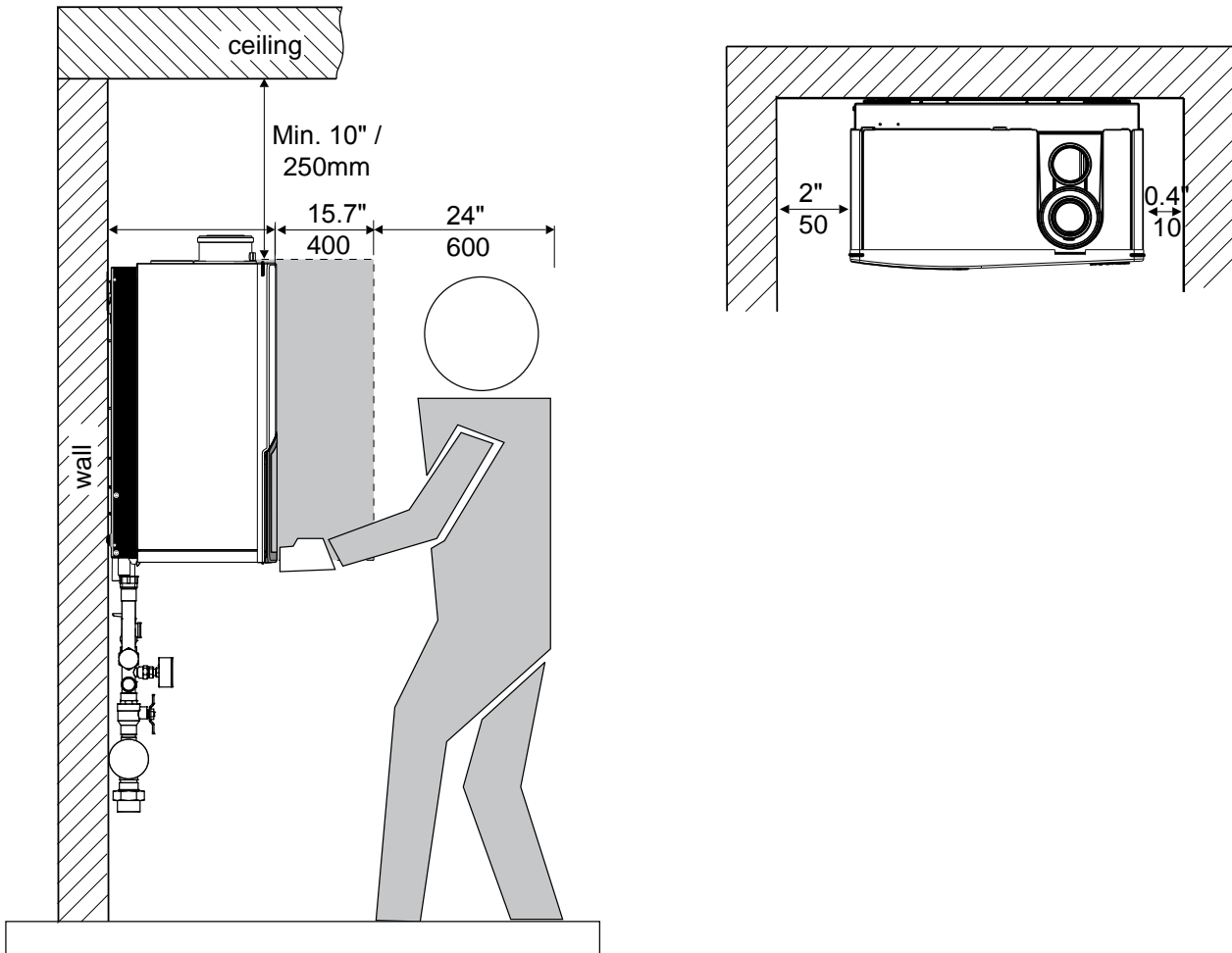
Rinnai supplies with each type of boiler a Plumbing kit. Find below the dimensions. See chapter 6.1 for additional information.



plumbing kit 1

figure 3

## 5.3.2 Clearances from boiler



service clearances to the boiler

figure 4

	Minimum required clearances to combustibles All types	Minimum required clearances to non-combustibles All types	Recommended service clearances All types
	inch / mm	inch / mm	inch / mm
Top of boiler	2" / 50	2" / 50	10" / 250
Back of boiler	0"	0"	0
Front of boiler	6" / 150	6" / 150	24" / 600
Left side of boiler	2" / 50	2" / 50	2" / 50
Right side of boiler	2" / 50	2" / 50	2" / 50
Floor / Ground	12" / 300	12" / 300	30" / 762
Vent	0"	0"	0"

clearances to the boiler

table 3

For closet installation: clearance is 1" / 25mm from the front.

### Low Loss Header

Clearances to combustible and non-Combustible is 0 inch for sides, top, front and floor/ground

## 5.4 Technical specifications

Boiler type		E-Series			
		Natural gas		Propane gas	
		E75CN	E110CN	E75CP	E110CP
Input Hs CH	BTU/hr kW	75,000 22	110,000 32	75,000 22	110,000 32
Propane orifice diameter	inch / mm	n.a.	n.a.	0.16" / 4.15	0.20" / 5.2
Display indication at start-up		22.t	32.t	22.tP	32.tP
Q <sub>n</sub> Output non-condensing CH	BTU/hr kW	67,500 19.8	98,000 28.8	67,500 19.8	98,000 28.8
Q <sub>n</sub> Output EN677 efficiency CH	BTU/hr kW	74,100 21.7	108,000 31.7	74,100 21.7	108,000 31.7
Q <sub>n</sub> Output AFUE CH	BTU/hr kW	72,400 21.2	105,700 30.7	72,400 21.2	105,700 30.7
Efficiency at 98.6/86°F (36/30°C) part load, Hs, EN677 CH	%	98.8	99.0	98.8	99.0
AFUE according IBR	%	96.5	96.1	96.5	96.1
O <sub>2</sub> (at full load)	%	4.4 - 4.7		4.8 - 5.1	
Electr. power consumption max.	W	145			
Electr. power consumption stand by	W	14			
Current	V/Hz	120Vac/60Hz			
Fuse rating	A	5AF & 4AT			
Degree of protection acc. EN 60529		IPX4D (IPX0D in case of room air)			
Weight (empty)	lbs / kg	91 / 39	101 / 40	91 / 39	101 / 40
Water content CH	gallon / liter	0.9 / 3.5	1.3 / 5	0.9 / 3.5	1.3 / 5
Water content DHW	gallon / liter	0.13 / 0.5	0.18 / 0.7	0.13 / 0.5	0.18 / 0.7
After run time pump CH	min	5			
After run time pump DHW	min	1			
P <sub>MS</sub> Water pressure min.-max.	PSI / bar	14-43 / 1-3			
P <sub>MW</sub> Water pressure DHW max.	PSI / bar	150 / 10			
Flow temperature max.	°F / °C	176 / 80			
Pump type		UPS20-48	UPS20-58	UPS20-48	UPS20-58
Available pump height CH	PSI / kPa	3.8 / 26	0.7 / 5	3.8 / 26	0.7 / 5
Approvals		ASME, CSA			
DHW flow (at 50°F)	gallon/min	4.6		4.6	
DHW flow (at 10°C)	liter/min	17.4		17.4	
DHW flow (at 75°F)	gallon/min	2.1	3.2	2.1	3.2
DHW flow (at 23.9°C)	liter/min	7.9	12.1	7.9	12.1
DHW temperature (T <sub>in</sub> =50°F (10°C))	°F / °C	176 / 80			
Pressure difference DHW	PSI / bar	2.9 / 0.2	4.4	2.9 / 0.2	4.4
Content expansion vessel	gallon / liter	2.1 / 8	3.1 / 12	2.1 / 8	3.1 / 12
Pre-charge pressure expansion vessel	PSI / bar	14.5 / 1			
CSA number		2183087			

Technical specifications

Table 4

The boiler has the following connection pipes;

- The central heating circuit pipes.  
*These must be connected to the plumbing kit by means of adapter fittings. See further chapter 6.1;*
- The gas supply pipe.  
*It is provided with a 3/4" male thread into which the tail piece of the gas valve can be screwed. See further chapter 6.4;*
- Cold and hot water pipes for domestic hot water (DHW).  
*These consist of 3/4" (15 mm) copper pipe and can be connected to the installation by means of 1/2" M-NPT adapter fittings. See further chapter 6.5;*
- The condensation drain pipe.  
*It consists of an oval 1" (22 mm) plastic pipe. The drain pipe can be connected to this by means of an open connection. If the open connection is fitted in a different location, then the pipe can be lengthened by means of a 1 1/4" (32 mm) PVC sleeve. See further chapter 6.6;*
- The vent system and air supply system.  
*It consists of a concentric connection 3"/5" (80/125 mm). The boiler can be converted to a twin pipe connection that will accept 80mm flue and intake air or with the use of the included adapters 3" PVC/CPVC flue and intake. See further chapter 6.7.*



#### NOTICE

**The pipe to be connected to the boiler must be cleaned before connecting in order to prevent dirt from entering and damaging the boiler.**

### 6.1 Central heating system

Connect the central heating system according to its instructions.

The boiler pipes can be connected to the installation by means of compression fittings. Reducers should be used for connecting to thick-walled pipe (welded or threaded).



#### NOTICE

**When removing the plastic sealing caps from the pipes, dirty testing water may drain from the boiler.**



#### NOTICE

**A Plumbing Kit must be fitted to the boiler.**



#### NOTICE

**The boiler, when used in connection with a refrigeration system, must be installed so the chilled medium is piped in parallel with the boiler with appropriate valves to prevent the chilled medium from entering the boiler.**



#### NOTICE

**The boiler piping system of a hot water boiler connected to heating coils located in air handling units where they may be exposed to refrigerated air circulation must be equipped with flow control valves or other automatic means to prevent gravity circulation of the boiler water during the cooling cycle.**

## 6.1.1 Plumbing Kit installation

### **i** NOTICE

Rinnai supplies specific Plumbing Kits with each boiler type, which must be fitted directly underneath the boiler on the supply and return pipe. Use of the Rinnai boiler without the plumbing kit will result in the void of warranty.

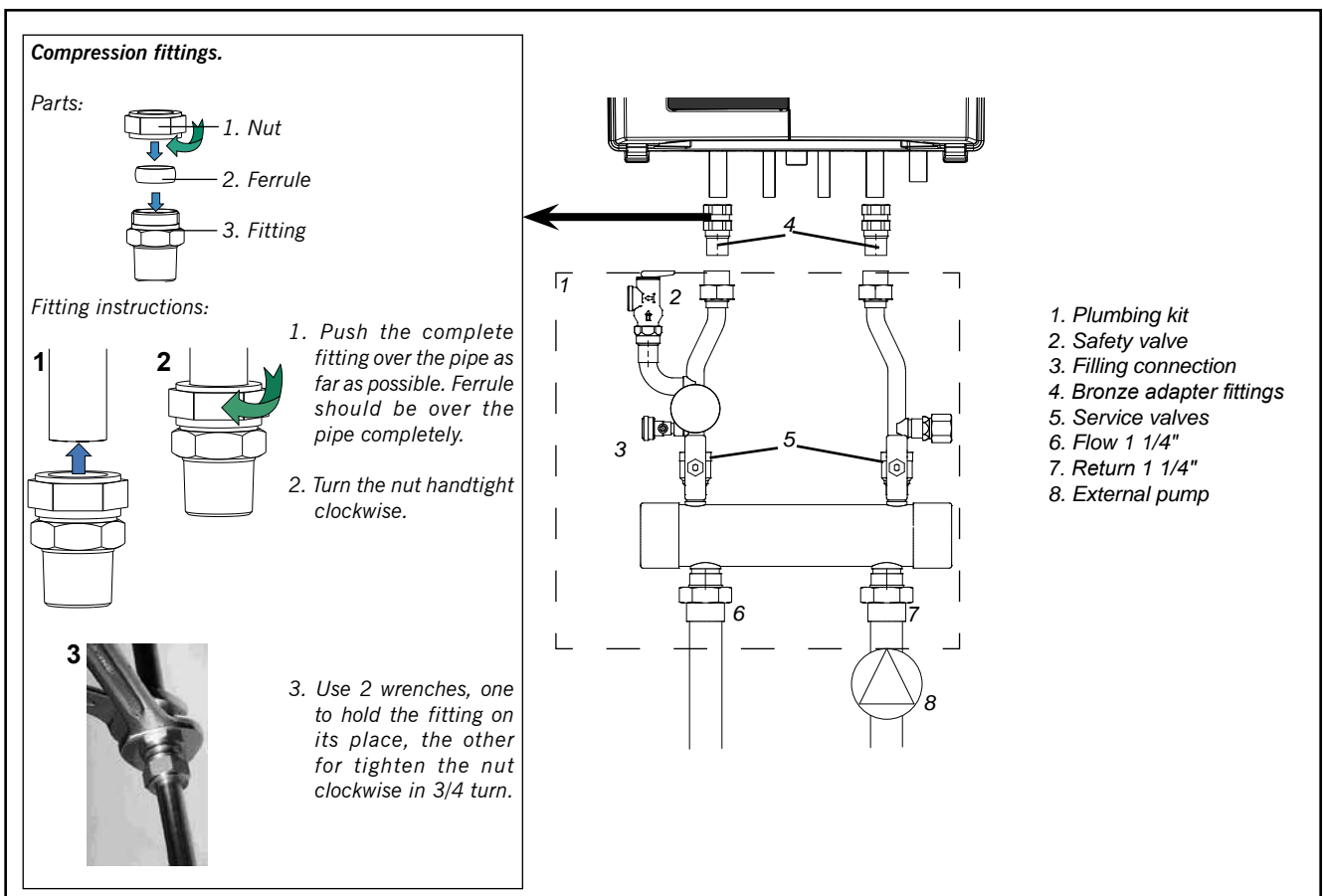
**To protect the entire heating system we recommend installing a dirt particle trap in the return circuit. When the boiler is installed to an existing heating system this trap is required. Use of a Y strainer is not permitted as substitute for a dirt trap.**

### **i** NOTICE

- Install shut-off valves immediately before and after the dirt particle filter to allow the filter to be cleaned.
- Position 3 (figure 6) is a garden house thread boiler drain, that can be used to drain the boiler or add water treatment additives to the system, such as inhibitors or glycol.
- Position 4 (figure 6) is the supply connection for an indirect tank when used with the optional 3-way valve kit.
- For information on locating the expansion tank and system fill, please see the Rinnai Boiler Applications Manual.

**Thoroughly flush all pipes and radiators. We recommend the use of a Rinnai approved system cleaner. Refer to the Rinnai Boiler Applications Manual for an approved list of Rinnai system cleaners.**

- Refer to the installation template and chapter 5.3 for the pipe connection dimensions.
- Fit the bronze adapter fittings, supplied with the boiler (fig. 5, pos. 4) first to the Plumbing Kit and then to the boiler.
- Connect the expansion tank to the system. See chapter 6.2.
- Connect the pipes so that they are free from strain.



The boiler has a self-adjusting and self-protecting control system for the load and the pump capacity. By this means the temperature difference between the supply and return water is checked and controlled.

If the installation resistance is over the stated value; the load will be adjusted until an acceptable temperature difference between supply and return water has been obtained. If, after this, the temperature difference is still not acceptable then the boiler will switch off and wait until an acceptable temperature has arisen.

If an unacceptable temperature is detected, the control will repeatedly try to achieve water flow over the boiler. If not the boiler will switch off.

The electrical side of an external circulation pump (fig. 6, pos. 8) can be connected to the Control Tower. This pump thus switches simultaneously to the boiler pump.

The maximum absorbed current consumption of the external circulation pump may not exceed 120V, 2 Amp. If a pump with a larger current draw is required an isolation relay must be used. See the Rinnai Boiler Applications Manual for further information. The extra external pump must be selected according the installation resistance and required flow.

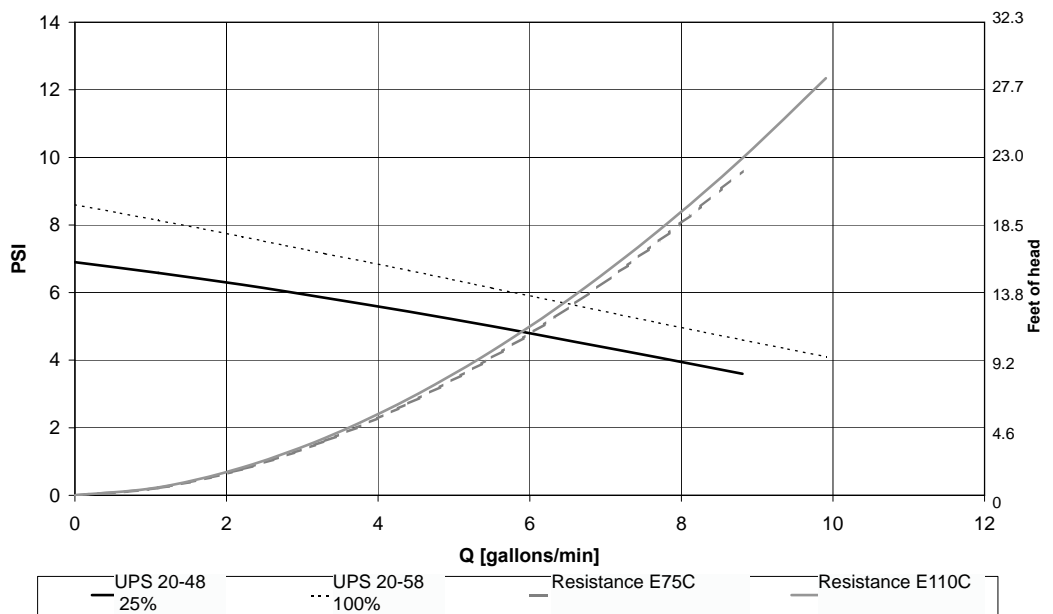
As standard the boiler is provided with a water filter in the return pipe of the boiler, so that debris of the central heating water is prevented from affecting the boiler.

**i** NOTICE

**i** NOTICE

**When using more than one boiler in an installation please refer to the cascade installation instructions.**

**The boiler is designed to be used on pressurized heating systems only.**



pump index lines

graph 1

## 6.1.2 Safety valve



### NOTICE

An ASME 30 psi pressure relief valve is installed on the plumbing kit included with the boiler.

## 6.1.3 Low water cut off



### NOTICE

The Rinnai E boiler has a factory installed pressure switch type Low Water Cut Off (LWCO). Check your local codes to see if a Low Water Cut Off is required (LWCO) and if this device conforms to local code. See the Rinnai Boiler Applications Manual for further information.

The Low water cut off is not serviceable.

## 6.2 Expansion tank

The E-Series boilers are equipped with an internal expansion tank.

The tank of the E75CN and E75CP is positioned inside the boiler casing. This expansion tank has a pre-charge pressure of 14.5 PSI / 1 Bar and a capacity of 2.1 gallon / 8 litres.

The tank of the E110CN and E110CP is positioned directly beneath the boiler and together with the casing forms a single entity with the boiler.

The casing can be removed by pulling forwards. The expansion tank has a pre-charge pressure of 14.5 PSI / 1 Bar and a capacity of 3.1 gallon / 12 litres.

If a larger capacity expansion tank is needed for the installation a standard expansion vessel should be fitted additionally.

In that case choose an expansion tank volume, of which the summary is geared to the installation's water capacity. The pre-charge pressure depends on the installation height above the expansion tank. Fit the expansion tank into the return pipe as close as possible to the boiler. The extra expansion tank should be sourced locally. Please refer to the expansion tank manufacturer for further information.



### NOTICE

**Fill the expansion tank to a minimum of 14.5 psi.**



## 6.3 Underfloor heating system (plastic pipes)

When using oxygen-permeable pipes, e. g. for underfloor heating systems, the system must be separated using plate heat exchangers.



### NOTICE

**No recourse can be made to the terms of the warranty in the event of failure to regard the regulations pertaining to plastic underfloor heating pipes.**

## 6.4 Gas supply connection



### DANGER

**Only work on gas lines if you are licensed for such work. If these instructions are not followed exactly, a fire or explosion may result causing property damage, personal injury or death.**



### WARNING

**Rinnai wall mounted boilers are built to run on Natural Gas or Propane Gas. The gas type the boiler is suitable for is indicated on the packaging and on the boiler by a blue label with Natural Gas or a green label with Propane Gas and on the identification plate on the boiler. First check the identification plate on the boiler for the suitable gas type.**



### DANGER

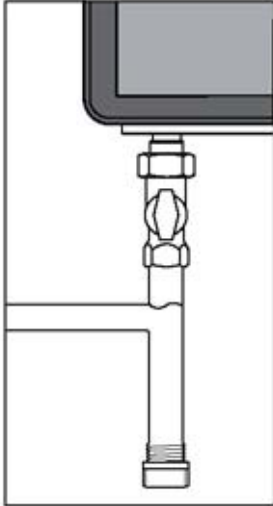
**Do not use the boiler for another type of gas than indicated on the identification plate of the boiler. This will cause improper functioning and can damage the boiler.**

Natural gas: resume with chapter 6.4.1  
Propane gas: resume with chapter 6.4.2

## 6.4.1. Gas connection with natural gas

### **i** NOTICE

The gas supply connection must comply with local regulations or, if such regulations do not exist, with the National Fuel Gas Code, ANSI Z 223.1. For Canada, the gas connection must comply with local regulations or, if such regulations do not exist, with the CAN/CSA B149.1, Natural Gas and Propane Installation Code.



Sediment trap figure 7

### **Pipe sizing for natural gas**

Contact gas supplier to size the gas supply line and meter.

### **Gas piping**

A sediment trap must be installed upstream of the gas controls.

The boiler gas pipe is equipped with external 3/4" M-NPT thread, onto which the tail piece of the gas shut off valve can be connected. Use appropriate sealing.

The connection to the boiler must include a suitable method of disconnection and a gas control valve must be installed adjacent to the boiler for isolation purposes. The nominal inlet gas pressure measured at the boiler should be 7" W.C. (18 mbar) for Natural gas (Gas A). Maximum pressure with no flow (lockup) or with the boiler running is 10.5 inches W.C. Minimum pressure with the gas flowing (verify during boiler startup) is 5.0 inches W.C.

The gas pipe must be fitted to the gas valve free from any strain.

### **i** NOTICE

**Make sure that the gas pipe system does not contain dirt, particularly with new pipes.**

### **!** DANGER

**Always check the safety of the gas pipe system by means of a bubble test using leak-search spray.**

### **i** NOTICE

**The boiler and its individual shut off valve must be disconnected from the gas supply piping system during any pressure testing of that system at test pressures in excess of 1/2 PSI (3.5kPa).**

### **i** NOTICE

**The boiler must be isolated from the gas supply piping system by closing its individual manual shutoff valve during any pressure testing of the gas supply piping system at test pressures equal to or less than 1/2 PSI (3.5 kPa).**

## 6.4.2 Gas connection with propane gas

### NOTICE

The gas supply connection must comply with local regulations or, if such regulations do not exist, with the National Fuel Gas Code, ANSI Z 223.1. For Canada, the gas connection must comply with local regulations or, if such regulations do not exist, with the CAN/CSA B149.1, Natural Gas and Propane Installation Code.

#### Pipe sizing for propane gas

- Contact gas supplier to size pipes, tanks, and 100% lockup gas pressure regulator.

#### Propane Supply Pressure Requirements

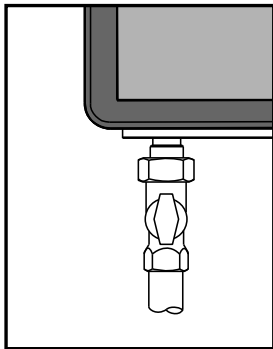
- Adjust propane supply regulator provided by the gas supplier for 14 inches W.C. maximum pressure.
- Pressure required at gas valve inlet pressure port:
  - Maximum 14 inches W.C. with no flow (lockup) or with boiler running.
  - Minimum 8 inches W.C. with gas flowing (verify during boiler startup).

### DANGER

Ensure that the high gas pressure regulator is installed at least 6 to 10 feet upstream of the boiler.

#### Gas piping

- Use a gas shut off valve compatible with propane gases.
- A sediment trap must be provide upstream of the gas controls.



Gas shut off valve onto boiler  
figure 7

The boiler pipe is equipped with external 3/4" M-NPT thread, onto which the tail piece of the gas shut off valve can be screwed. Use appropriate sealing.

The connection to the boiler must include a suitable method of disconnection. A gas control valve must be installed adjacent to the boiler for isolation purposes. The nominal inlet working gas pressure measured at the boiler should be 12 inch W.C. (30mbar) for Propane gas (Gas E).

The gas pipe must be fitted to the gas valve free from any strain.

### NOTICE

Make sure that the gas pipe system does not contain dirt, particularly with new pipes.

### DANGER

Always check the safety of the gas pipe system by means of a bubble test using leak-search spray.

### NOTICE

The boiler and its individual shut off valve must be disconnected from the gas supply piping system during any pressure testing of that system at test pressures in excess of 1/2 PSI (3.5kPa).

### NOTICE

The boiler must be isolated from the gas supply piping system by closing its individual manual shutoff valve during any pressure testing of the gas supply piping system at test pressures equal to or less than 1/2 PSI (3.5 kPa).

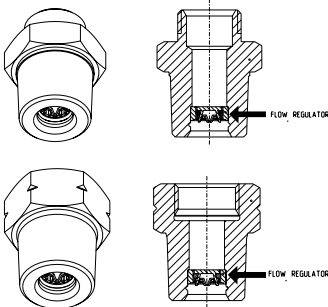
## 6.5 Hot water supply

Connection of the drinking water installation should be performed according to the national secondary drinking water regulations.



**DANGER**

**Do NOT use toxic chemicals, such as are used for boiler treatment in potable water heating systems used for space heating.**



The sanitary water pipes can be connected to the installation by use of adapter fittings. The cold water inlet on the Combi boilers must be equipped with the following components (counted in the water flow direction):

Flow regulator valve (supplied), Safety group, Expansion vessel 87 PSI / 6bar (potable water, blue).

The 3/4" NPT adapter fitting with flow reducing valve must be fitted in the cold water connection.

A flow regulator valve is supplied with the boiler in a 3/4"NPT adapter fitting. The flow regulator valve ensures that a quantity of water is supplied which has a outlet temperature of 120°F (assuming a cold water temperature of 45°F). The quantity of water is virtually unaffected by the water pressure.



**NOTICE**

**When there is a water pressure lower than 22PSI / 1.5 bar it is advisable to remove the inside mechanism of the flow reducing valve.**

## 6.6 Condensate drain pipe

This boiler produces condensate. Condensate must be drained otherwise the boiler will not function and can cause property damage.

The condensation drain pipe should be connected to a drain in the building by means of an open connection. By this means the possibility of drain gases effecting the boiler is prevented. The drain connection should have a minimum diameter of 1.3" / 32mm.

Install the condensation drain pipe according to the applicable rules and regulations.

If the condensate outlet of the boiler is lower than the public sewage system a condensate pump must be used.

The condensate produced by the boiler has a pH value between 3 and 4.

Install a neutralization unit if required by the local code. It is recommended, but not required to install a condensate neutralizer.



**NOTICE**

**Do not drain the condensation water to the external rain gutter because of the danger of freezing and blockage of the drain.**



**NOTICE**

**Before putting the boiler into operation fill the condensate trap with 1.27 cups / 300 ml of water. If the boiler will be installed in a high temperature installation such as baseboard, then fill the condensate trap with mineral oil instead of water.**



**NOTICE**

**Use materials approved by the authority having jurisdiction. In absence of such authority, PVC and CPVC pipe must comply with ASTM D1785, F441 or D2665. Cement and primer must comply with ASTM D2564 or F493.**

**For Canada, use CSA or ULC certified PVC or CPVC pipe, fittings and cement.**



**NOTICE**

**Periodic cleaning of the condensate disposal system must be carried out. See the Rinnai Boiler Application Manual for further information and for a piping diagram for the condensate.**

## 6.7 Vent system and air supply system

Provisions for combustion and ventilation air must be made in accordance with section, Air for Combustion and Ventilation of the National Flue Gas Code, ANSI Z223.1, or Sections 7.2, 7.3 of 7.4 of CAN/CGA B149.1, Installation Codes, or applicable provisions of the local building codes.

- Do not store chemicals near the boiler or in rooms where the air is being supplied to the boiler. **See the list on page 10.**
- Do not allow the flue gases of other appliances to enter the boiler.
- Keep cabinet free of moisture



### NOTICE

**In the event that the system has actuated to shut off the main burner gas, do not attempt to place the boiler in operation. Contact a qualified service agency.**

### 6.7.1 Intake / Exhaust Guidelines

Refer to the specific instructions on your vent product for additional installation requirements.

- You must use vent components that are certified and listed with this model.
- Do not combine vent components from different manufacturers.
- Venting should be as direct as possible with a minimum number of pipe fittings.
- Avoid dips or sags in horizontal vent runs by installing supports per the vent manufacturer's instructions.
- Support horizontal vent runs every four feet and all vertical vent runs every six feet or in accordance with local codes.
- Vent diameter must not be reduced.
- The boiler is unsuitable to install on a common vent installation, see also chapter 19.
- Do not connect the venting system with an existing vent or chimney.
- Do not common vent with the vent pipe of any other water heater or appliance.
- Vent connections must be firmly pressed together so that the gaskets form an air tight seal.
- Refer to the instructions of the vent system manufacturer for component assembly instructions.
- If the vent system is to be enclosed, it is suggested that the design of the enclosure shall permit inspection of the vent system. The design of such enclosure shall be deemed acceptable by the installer or the local inspector.



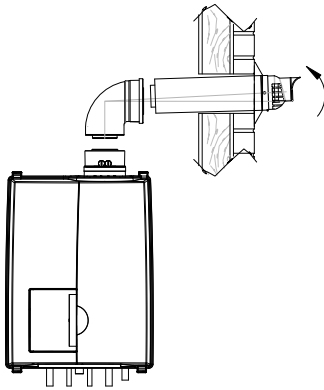
### NOTICE

**If it becomes necessary to access an enclosed vent system for service or repairs, Rinnai is not responsible for any costs or difficulties in accessing the vent system. Warranty does not cover obtaining access to an enclosed vent system.**

## 6.7.2a Examples vent and air supply systems (concentric)

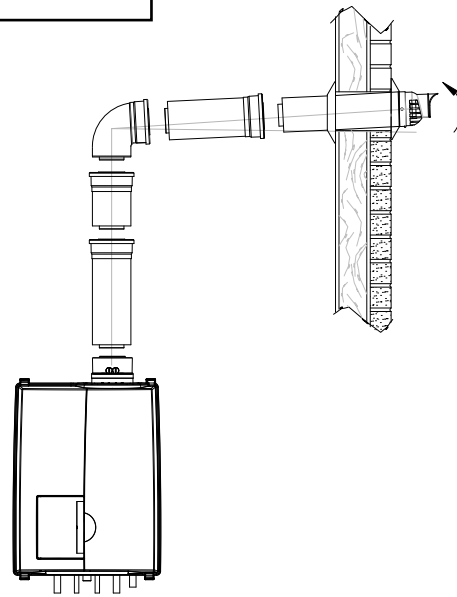
Wall thickness for vent termination installation:  
 Minimum: 100mm / 4"  
 Maximum: 508mm / 20"

Examples wall terminals



Short termination with wall terminal

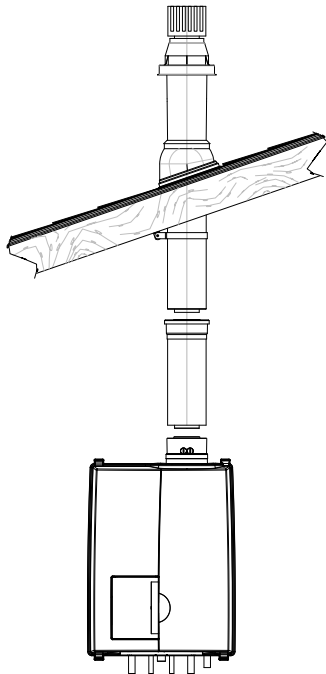
figure 9A



Termination with wall terminal on higher level

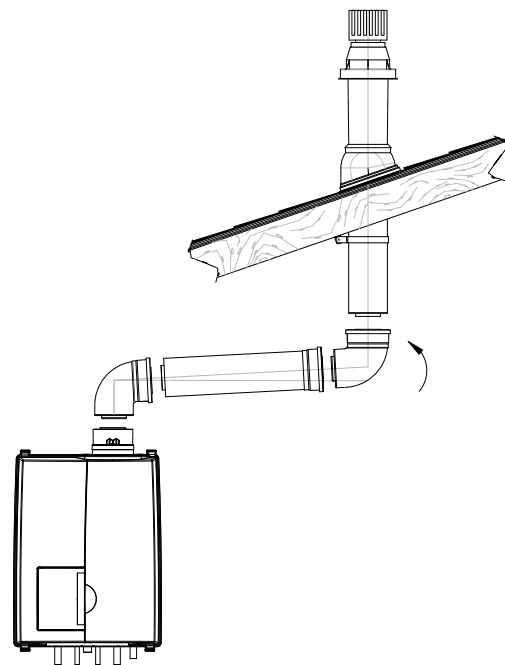
figure 9B

Examples roof terminals



Short termination with roof terminal

figure 10A



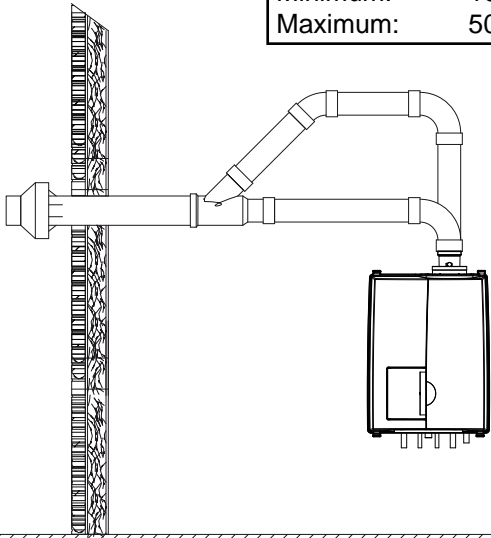
Termination with roof terminal and bends

figure 10B

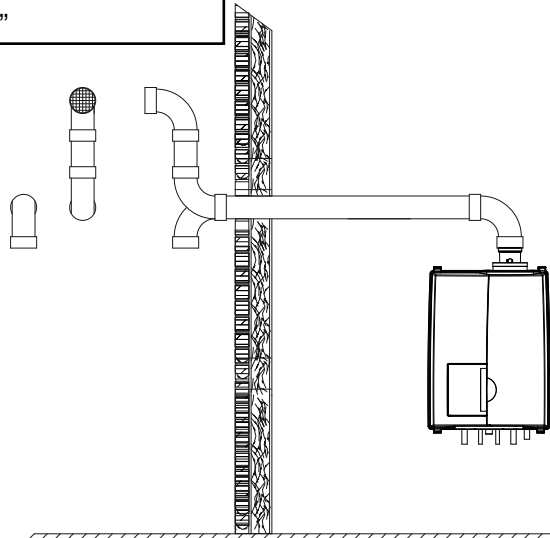
## 6.7.2b Examples vent and air supply systems (parallel)

Wall thickness for vent termination installation:  
 Minimum: 100mm / 4"  
 Maximum: 508mm / 20"

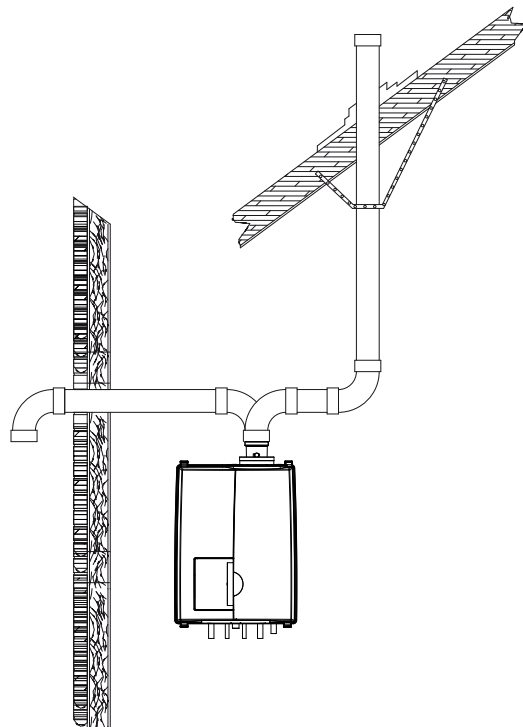
Examples sealed combustions



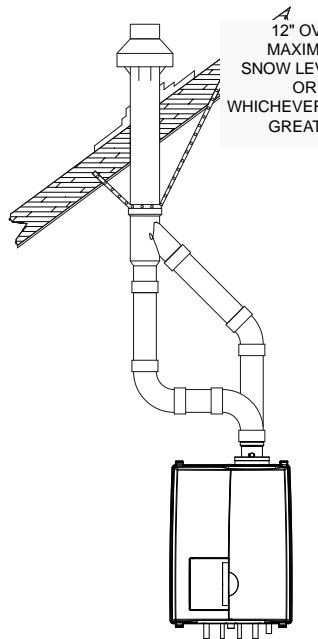
Horizontal with concentric termination figure 11A



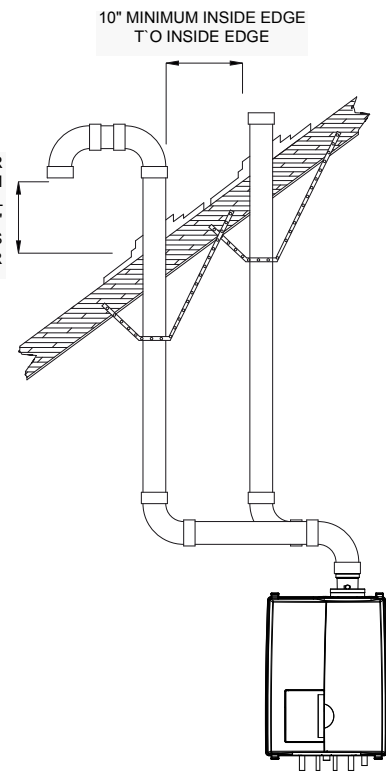
Horizontal with parallel termination figure 11B



Vertical vent and horizontal air intake figure 11C



Vertical with concentric termination figure 11D



Vertical with parallel termination figure 11E

## 6.7.3 Installation of the vent system

- i** NOTICE Consult local and state codes pertaining to special building code and fire department requirements. Adhere to national code requirements.
- i** NOTICE Follow the listed maximum length of vent systems, which are boiler output dependent. The maximum permissible lengths are listed in table 9, chapter 6.7.6.

Decide how to install the exhaust and air intake system. You can choose between:

- **Concentric system (see page 26)**

The concentric connection is provided standard initially.

The boiler concentric connection diameter is 3"/5" (80/125 mm), to which the venting and air supply system can be fitted, with or without elbow pieces. The maximum permissible pipe length is displayed in table 9, chapter 6.7.6.

- **Parallel system (see page 27)**

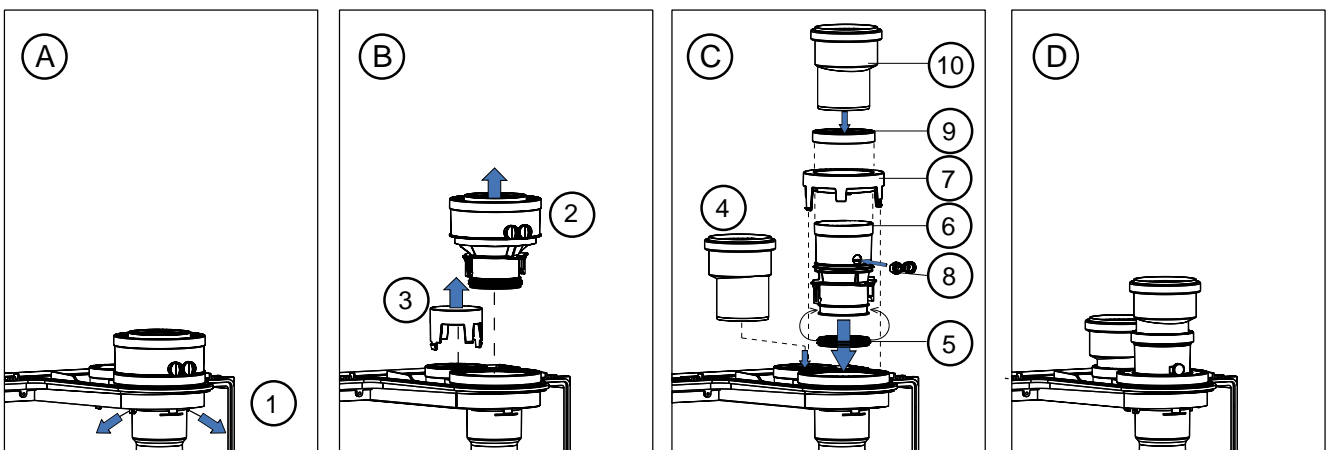
The boiler can be converted to a parallel system with supplied adapters.

It is possible to use a parallel pipe connection of 2x 3". In this case a separate supplied kit, with 2 vent adapters 3" (ø80mm), cover 5" (ø125mm), vent exhaust pipe and gaskets should be fitted instead of the concentric vent adapter on top of the boiler. See figure 12 for installation. The maximum permissible pipe length is set out in table 9, chapter 6.7.6.

- **Room Air System (outdoor combustion air)**

The boiler can use room air for combustion. If this option is selected the boiler must first be converted to the Parallel system. A single exhaust pipe can then be fitted. It is required to use a room air filter when using indoor air for combustion. The maximum permissible pipe length is set out in table 9, chapter 6.7.6.

- i** NOTICE We advise to install a vent system out of the venting system program supplied by Rinnai (See chapter 19 Parts list Vent system). For further information about the available components of the venting and air supply system we recommend you consult Rinnai and the Installation instructions and parts list documentation.



boiler conversion from concentric to parallel

figure 12

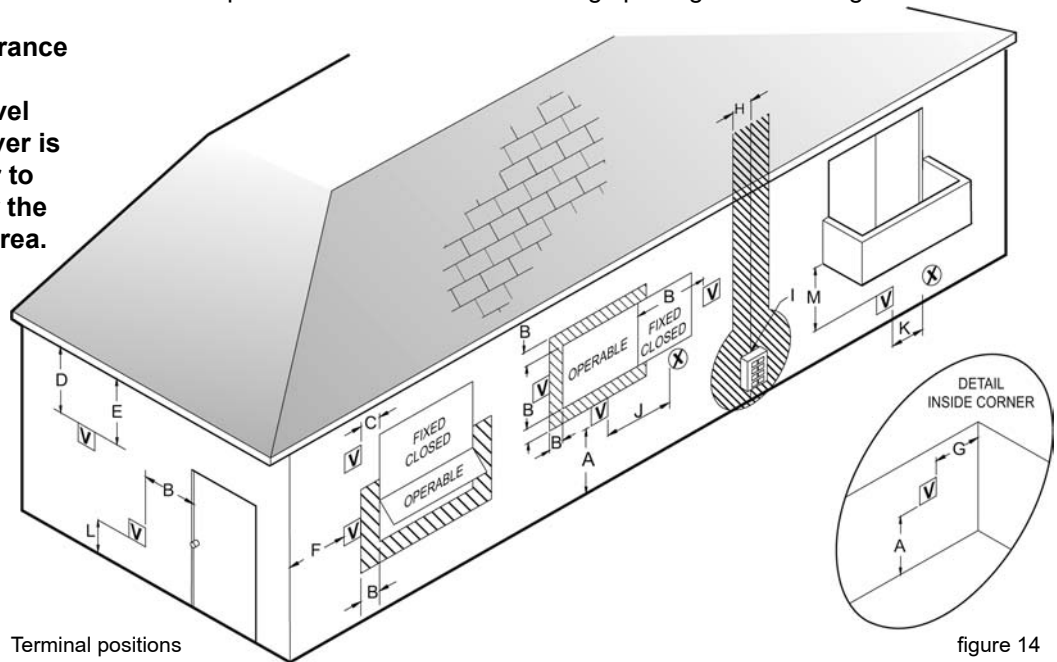
- A. 1. Push the 2 clips slightly outwards
- B. 2. Pull the concentric adaptor out of the boiler
3. Press the cover in the connection at the back from inside out
- C. 4. Push the 3" adapter into the connection at the back of the boiler (= air intake)
5. Pull the rubber seal around the bottom of the exhaust connector
6. Push the exhaust connector in the boiler, in the boiler exhaust pipe until 'CLICK'
7. Push the 5" cover over the exhaust connector in the 5" opening until 'CLICK'
8. Push the rubber plug in open position in the O<sub>2</sub> measuring opening and close the stop.
9. Push the gasket around the top of the exhaust connector
10. Push the 3" exhaust adaptor in the exhaust connector.
- D. Connect the parallel vent system.



## 6.7.4 Recommended vent/air intake terminal position

Terminals should be positioned as to avoid products of combustion entering openings into buildings or other vents.

**Maintain 12" of clearance above the highest anticipated snow level or grade or, whichever is greater. Please refer to your local codes for the snow level in your area.**



Terminal positions

figure 14

Ref	Description	Canadian Installations - Direct Vent and non Direct Vent	US Installations Direct Vent	US Installations non Direct Vent
A	Clearance above grade, veranda, porch, deck, or balcony	12 inches (30 cm)	12 inches (30 cm)	12 inches (30 cm)
B	Clearance to window or door that may be opened	6 inches (15 cm) for appliances ≤ 10,000 Btuh (3 kW), 12 inches (30 cm) for appliances > 10,000 Btuh (3 kW) and ≤ 100,000 Btuh (30 kW), 36 inches (91 cm) for appliances > 100,000 Btuh (30 kW)	6 inches (15 cm) for appliances ≤ 10,000 Btuh (3 kW), 9 inches (30 cm) for appliances > 10,000 Btuh (3 kW) and ≤ 50,000 Btuh (30 kW), 12 inches (91 cm) for appliances > 50,000 Btuh (30 kW)	4 feet (1.2 m) below or to side of opening; 1 foot (300 mm) above opening
C	Clearance to permanently closed window	*	*	*
D	Vertical clearance to ventilated soffit, located above the terminal within a horizontal distance of 2 feet (61 cm) from the center line of the terminal	*	*	*
E	Clearance to unventilated soffit	*	*	*
F	Clearance to outside corner	*	*	*
G	Clearance to inside corner	*	*	*
H	Clearance to each side of center line extended above meter/regulator assembly	3 feet (91 cm) within a height 15 feet (4.5 m) above the meter/regulator assembly	*	*
I	Clearance to service regulator vent outlet	36 inches (91 cm)	*	*
J	Clearance to nonmechanical air supply inlet to building or the combustion air inlet to any other appliance	6 inches (15 cm) for appliances ≤ 10,000 Btuh (3 kW), 12 inches (30 cm) for appliances > 10,000 Btuh (3 kW) and ≤ 100,000 Btuh (30 kW), 36 inches (91 cm) for appliances > 100,000 Btuh (30 kW)	6 inches (15 cm) for appliances ≤ 10,000 Btuh (3 kW), 9 inches (30 cm) for appliances > 10,000 Btuh (3 kW) and ≤ 50,000 Btuh (30 kW), 12 inches (91 cm) for appliances > 50,000 Btuh (30 kW)	4 feet (1.2 m) below or to side of opening; 1 foot (300 mm) above opening
K	Clearance to a mechanical air supply inlet	6 feet (1.83 m)	3 feet (91 cm) above if within 10 feet (3 m) horizontally	3 feet (91 cm) above if within 10 feet (3 m) horizontally
L	Clearance above paved sidewalk or paved driveway located on public property	7 feet (2.13 m) [1]	*	7 feet (2.13 m)
M	Clearance under veranda, porch, deck, or balcony	12 inches (30 cm) [2]	*	*

[1] A vent shall not terminate directly above a sidewalk or paved driveway that is located between two single family dwellings and serves both dwellings.

[2] Permitted only if veranda, porch, deck, or balcony is fully open on a minimum of two sides beneath the floor.

\* For clearances not specified in ANSI Z223.1/NFPA 54 or CSA B149.1, clearances are in accordance with local installation codes and the requirements of the gas supplier.

clearances of venting system terminals

table 6

## 6.7.4 Recommended vent/air intake terminal position



### NOTICE

Terminals should be positioned as to avoid products of combustion entering openings into buildings or other vents.



### CAUTION

Maintain 12" of clearance above the highest anticipated snow level or grade or, whichever is greater. Please refer to your local codes for the snow level in your area.



### CAUTION

The termination shall be at least 4 feet (1,220 mm) for the US and 6 feet (1,830 mm) for Canada distance from electric meters, gas meters, regulators and relief equipment. (for room air application only)



### NOTICE

Horizontal vent systems should always be installed sloping towards the boiler (min. 21 mm/m, 1/4 "/ feet), in order to avoid condensate retaining in the vent system. With the condensate running back to the boiler the risk of ice forming at the terminal is reduced.



### NOTICE

The whole route of the vent system must be installed upwards, never downwards, completely nor partly.



### NOTICE

Place pipe supports every 4 feet (1219 mm) of horizontal run, beginning with the support near the boiler to prevent movement in fittings and allow boiler to be free from any strain or weight on boiler or fittings.



### NOTICE

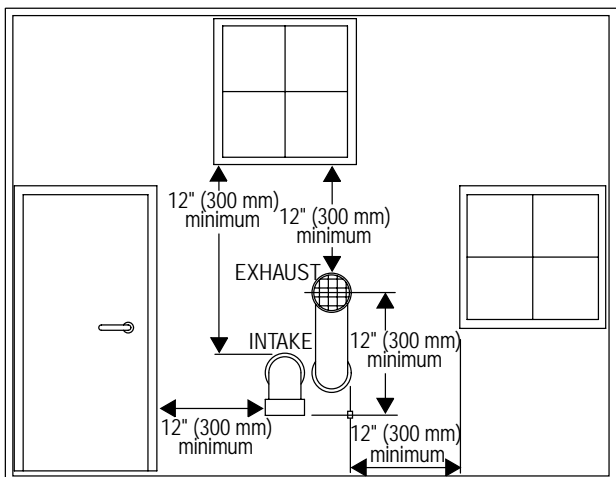
The terminal should be located where dispersal of combustion products is not impeded and with due regard for the damage or discolouration that might occur to building products in the vicinity (see fig 14 and 15).

Item Description	Flue Material	Approval Codes for Installation	
		United States	
Plastic Vent and/or air pipes and fittings	PVC Schedule 40	ANSI/ASTM D1785	
	PVC - DWV	ANSI/ASTM D2665	
	CPVC Schedule 40	ANSI/ASTM F441	
Plastic Pipe cement and primer	PVC	ANSI/ASTM D2564	
	CPVC	ANSI/ASTM F493	

Item Description	Flue Material	Manufacturer	US/CAN	Flue system
Stainless steel vent systems	AL29-4C	Heat Fab	UL1738	concentric twin pipe Saf-T Vent SC Saf-T Vent EZ Seal
Plastic Vent and/or air pipes and fittings	PPS	Ubbink		Rolux Condensing Vent System

Approval codes for installation of venting system

table 7



Terminal positions PVC

figure 15

### Fittings or Piping Equivalent

	feet	m
45 degree elbow	3	0.91
90 degree elbow	6	1.83
plastic pipe per foot	1	0.30
concentric vent kit	3	0.91

Equivalent friction loss of PVC/CPVC table 8



## NOTICE

In certain weather conditions condensation may also accumulate on the outside of the air inlet pipe. Such conditions must be considered and where necessary insulation of the inlet pipe may be required.  
In cold and/or humid weather water vapor may condense on leaving the vent terminal. The effect of such 'water condensation' must be considered.

The terminal must be located in a place not likely to cause a nuisance.

Use the Instructions of the Rinnai venting system for installation and service.

Cellular or Foam core PVC is not permitted for use with the boiler.

### 6.7.5

### Dimensioning of the exhaust and air intake duct



#### DANGER

The wall mounted boiler must be vented and supplied with combustion and ventilation air as described in this section.

Ensure the vent and air piping and the combustion air supply comply with these instructions regarding vent system, air system, and combustion air quality.



#### WARNING

Inspect finished vent and air piping thoroughly to ensure all are airtight and comply with the instructions provided and with all requirements of applicable codes.



#### NOTICE

Failure to provide a properly installed vent and air system may cause severe personal injury or death.



#### WARNING

Use only the material listed in Rinnai's vent documentation for vent pipe, and fittings. Failure to comply could result in severe personal injury, death or substantial property damage.



#### NOTICE

Installation must comply with local requirements and with the National Fuel Gas Code, ANSI Z223.1 for U.S installations or CSA B 149.1 for Canadian installations.



#### NOTICE

For closet and alcove installation, CPVC material (instead of PVC) must be used in a closet/alcove structure. Failure to follow this warning could result in fire, personal injury, or death.

All vent pipes must be connected and properly supported, and the exhaust must be pitched a minimum of a 1/4" inch per foot back to the boiler (to allow drainage of condensate). Please refer to the venting manufacturer's manual to see if a larger pitch is required for specific venting systems.

For the Room Air System, combustion air piping from the outside **MUST BE** used. Use of combustion air from indoor rooms using louvers, plenums, or any other devices is not authorized.

See the Rinnai Boiler Applications Manual for further information on venting.

## 6.7.6 Combustion air and vent piping lengths.

In the table below you find the maximum equivalent pipe length of the vent/air system based on 3" diameter. These lengths are for single pipe (room air), twin pipe, and concentric venting systems.

Boiler type	3" Max Vent equivalent length	3" Max Air equivalent length
E75	100 feet	100 feet
E110	100 feet	100 feet

Equivalent vent length

table 9

### Calculation of equivalent length vent system

Choose the vent type and fill out the corresponding table.

\* When determining equivalent combustion air and vent length, add 6 feet for each 90° elbow, 3 feet for each 45° elbow, 5 feet for the concentric terminal in the Parallel System, and 2 feet for the concentric terminal in the Concentric System .

#### Parallel system

Length tube	Number of elbows 90° x 6*	Number of elbows 45° x 3*	Concentric terminal Add 5 ft.*	Total	Multiply with factor	Equivalent length
<b>Combustion air</b>						
ft	ft	ft	ft	ft	0.5	ft
<b>Vent</b>						
ft	ft	ft	ft	ft	0.5	ft
<b>Total equivalent length</b>						<u>ft</u>

#### Concentric system

Length concentric tube, boiler to roof horizontal	Number of elbows 90° x 6*	Number of elbows 45° x 3*	Concentric terminal Add 2 ft.*	Total	Multiply with factor	Total equivalent length
ft	ft	ft	ft	ft	1.0	ft

Example of calculation:

Twin tube (parallel) with terminal

Combustion air length : 24 ft with elbow 3 x 90°

Vent length : 24 ft with elbow 2 x 90°, elbow 2 x 45°

Calculation:

Equivalent Air Length :  $(24+3 \times 6+2) \times 0.5 = 23$  ft

Equivalent Vent Length :  $(24+2 \times 6+2 \times 3+2) \times 0.5 = 23$  ft + Total = 46 ft.

## 6.7.7 Calculation of compensation factor

The compensation factor eliminates or reduces the natural effect of derate of maximum input caused by the resistance of the vent system and/or the impact of the altitude.

1. Determine the Compensation Factor Vent System CF(V) in the table below.

Eq. length (ft)		Boiler type	
min	max	E75	E110
		CF (V)	
0	10	0	0
11	20	0	0
21	30	0	2
31	40	1	4
41	60	2	6
61	80	3	8
81	100	4	10

Compensation factor vent system CP(V) table 10

2. Determine the Compensation Factor Altitude CF(A) in the table below.

Altitude (ft)		Boiler type
min	max	E75, E110
		CF (A)
0	1	0
1,000	2,000	6
2,000	3,000	12
3,000	4,000	18
4,000	5,000	24
5,000	6,000	30
6,000	7,000	36
7,000	8,000	42
8,000	9,000	48
9,000	10,000	54

Compensation factor altitude CP(A) table 11



### NOTICE

**Any application or installation above 10,000 must be reviewed by Rinnai's Engineering group. This is to ensure the product is installed and the overall system is designed properly and that the units are commissioned properly. Not involving of Rinnai's Engineering group would result in no support of the product and no warranty.**

3. Calculate the Compensation Factor Total CF(T):

$$CF(T) = CF(V) + CF(A)$$

The result is the setting for Parameter 73.

Change parameter 73 according to this result. See Chapter 10.1 how to change parameters.



### WARNING

Example of calculation:

E110

Eq. length vent system (taken from previous example)

46 ft      CF(V) = 6

Altitude

7,200ft      CF(A) = 42 +

CF(T) = 48

Parameter setting (Par. 73) = 48

**Do not overcompensate the boiler by setting a higher value than calculated, otherwise the boiler could be seriously damaged.**

## 6.7.8 Room Air System (indoor combustion air)

**When using indoor air, Rinnai strongly recommends the use of an indoor air filter, P/N 80800025.**

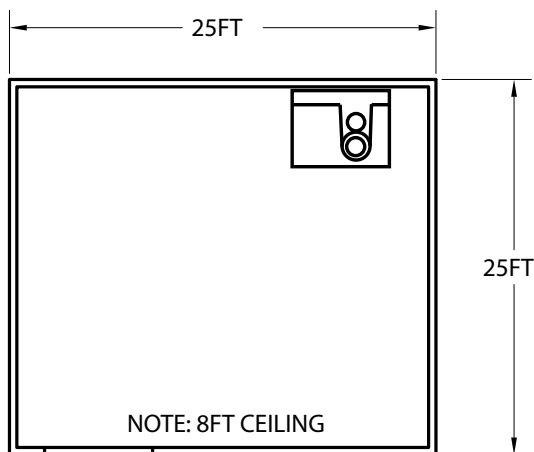
This boiler requires adequate combustion air for ventilation and dilution of flue gases. Failure to provide adequate combustion air can result in unit failure, fire, explosion, serious bodily injury or death. Use the following methods to ensure adequate combustion air is available for correct and safe operation of this water heater.

**Important:** Combustion air must be free of corrosive chemicals. Do not provide combustion air from corrosive environments. Appliance failure due to corrosive air is not covered by warranty.

Combustion air must be free of acid forming chemical such as sulfur, fluorine and chlorine. These chemicals have been found to cause rapid damage and decay and can become toxic when used as combustion air in gas appliances. Such chemicals can be found in, but not limited to bleach, ammonia, cat litter, aerosol sprays, cleaning solvents, varnish, paint and air fresheners. Do not store these products or similar products in the vicinity of this water heater.

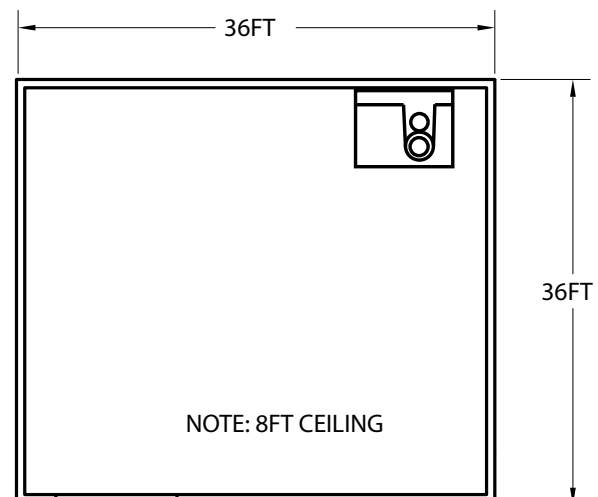
### Unconfined Space:

An unconfined space is defined in NFPA #54 "as a space whose volume is not less than 50 cubic feet per 1000 Btu/hr (4.8 m<sup>3</sup> per kW per hour) of the aggregate input rating of all appliances installed in that space. Rooms communicating directly with the space in which the appliances are installed, through openings not furnished with doors, are considered a part of the unconfined space." If the "unconfined space" containing the appliance(s) is in a building with tight construction, outside air may still be required for proper operation. Outside air openings should be sized the same as for a confined space.



Unconfined Space

91,300 BTU Boiler



Unconfined Space

200,000 BTU Boiler

Unconfined space

figure 16

### Confined Space:

(Small Room, Closet, Alcove, Utility Room, Etc.)

A confined space is defined in the NFPA #54 as "a space whose volume is less than 50 cubic feet per 1000 Btu/hr (4.8 m<sup>3</sup> per kW per hour) of the aggregate input rating of all appliances installed in that space." A confined space must have two combustion air openings. Size the combustion air openings based on the BTU input for all gas utilization equipment in the space and the method by which combustion air is supplied:

- Using indoor air for combustion
- Using outdoor air for combustion

### Louvers and Grills

When sizing the permanent opening as illustrated in figure 17, consideration must be taken for the design of the louvers or grills to maintain the required free area required for all gas utilizing equipment in the space. If the free area of the louver or grill design is not available, assume wood louvers will have 25% free area and metal louvers or grills will have 75% free area. Under no circumstance should the louver, grill or screen have openings smaller than 1/4".

Example:

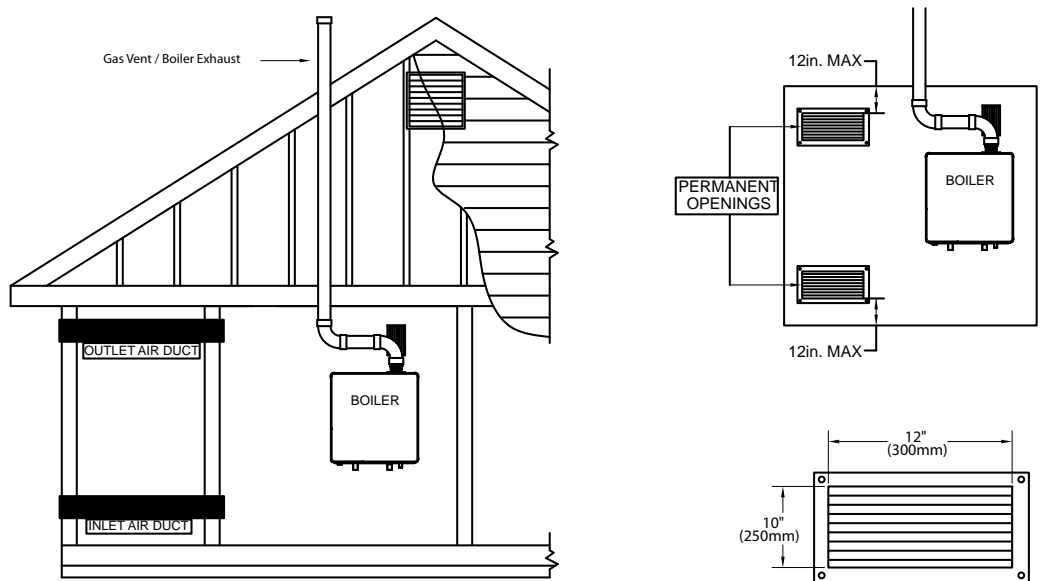
Wood: 10 in x 12 in x 0.25 = 30 in<sup>2</sup>

Metal: 10 in x 12 in x 0.75 = 90 in<sup>2</sup>

### Location

To maintain proper circulation of combustion air two permanent openings (one upper, one lower) must be positioned in confined spaces. The upper shall be within 12 inches of the confined space and the lower opening shall be within 12 inches of the bottom of the confined space. Openings must be positioned as to never be obstructed.

Combustion air provided to the appliance should not be taken from any area of the structure that may produce a negative pressure (i.e. exhaust fans, powered ventilation fans).



Louvers and grills

figure 17

### Using Indoor Air For Combustion

When using air from other room(s) in the building, the total volume of the room(s) must be of adequate volume (Greater than 50 cubic feet per 1000 Btu/hr). Each Combustion air opening must have at least one square inch of free area for each 1000 Btu/hr, but not less than 100 square inches each.

### Using Outdoor Air For Combustion

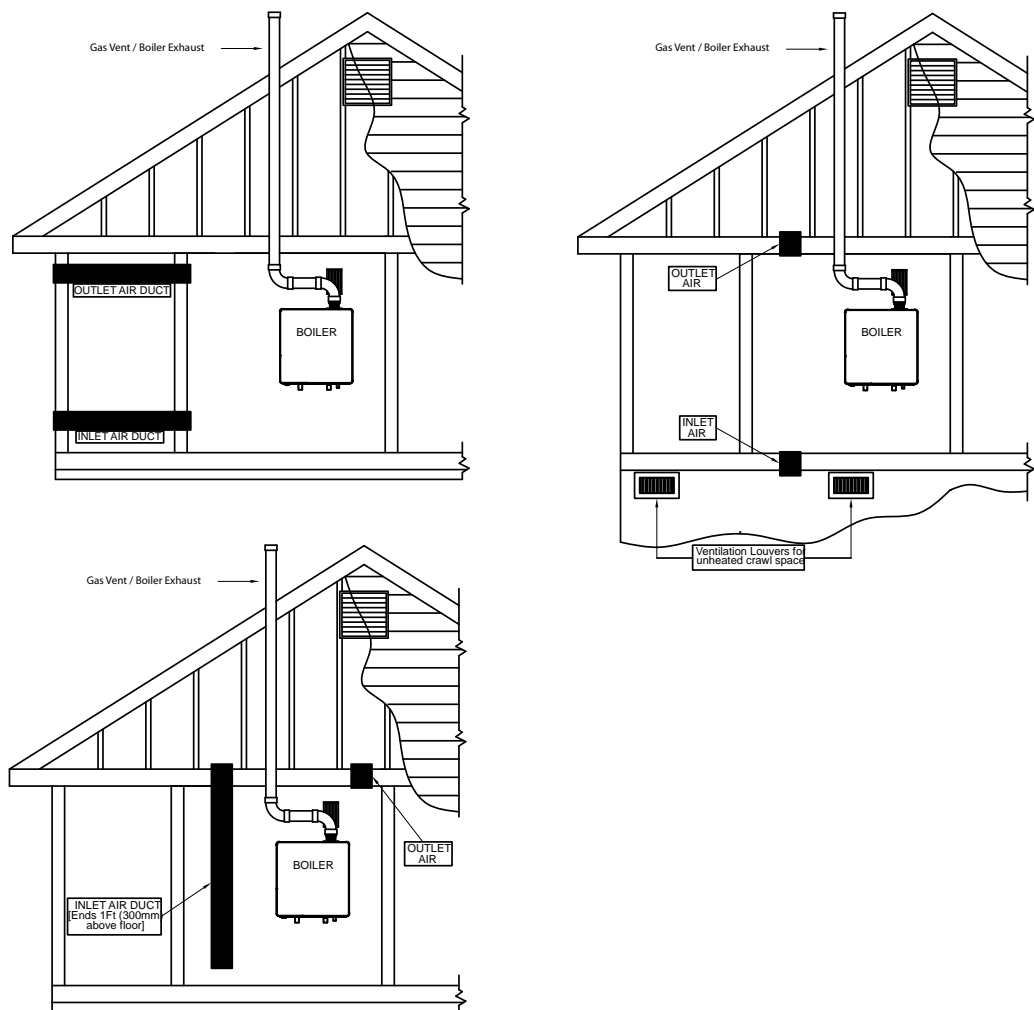
Outdoor air can be provided to a confined space through two permanent openings, one commencing within 12 in. (300mm) of the top and one commencing within 12" (300mm) of the bottom, of the confined space. The openings shall communicate to the outside by one of two ways:

- directly through horizontal ducts
- indirectly through vertical ducts

**When communicating directly with the outdoors through horizontal ducts, each opening shall have a minimum free area of 1 in<sup>2</sup>/2000 Btu/hr (1100 mm<sup>2</sup>/ kW) of total input rating of all appliances in the confined space.**

**Note: If ducts are used, the cross sectional area of the duct must be greater than or equal to the required free area of the openings to which they are connected.**

**When communicating indirectly with the outdoors through vertical ducts, each opening shall have a minimum free area of 1 in<sup>2</sup>/4000 Btu/hr (550 mm<sup>2</sup>/ kW) of total input rating of all appliances in the confined space. Combustion air to the appliance can be provided from a well ventilated attic or crawl space.**



Louvers and grills

figure 18



## 7 Electrical connections

The electrical connections to the boiler must be made in accordance with all applicable local codes and the latest revision of the National Electrical Code, ANSI/NFPA-70. Installations should also conform with CSA C22.1 Canadian Electrical Code Part 1 if installed in Canada.

Devices such as, outdoor sensor, room thermostat or temperature control, temperature sensor or thermostat and an external pump are all connected to the internal connection terminal. The connection terminal is situated behind the Control Tower.

### Connecting incoming power

Install a 120V main switch next to the boiler as service main switch of the boiler. Lead the cable through the back part of the boiler using a strain relief and lead the cable through the cable supports to the Control Tower. Connect a power supply cable to the cable harness terminal strip that connects to both the power switch on the front of the Control Tower and the terminal strip with positions 1, 2, and 3 on the inside of the Control Tower.

**The boiler must be electrically grounded in accordance with local codes, or in absence of local codes, with the National Electrical Code, ANSI/NFPA 70 and/or the CSA C22.1, Electrical Code.**



**CAUTION**

### RISK OF ELECTRIC SHOCK.

Once the main power supply is on then there is 120V on terminals 1 to 12 if the main switch next to the boiler is switched on.



**CAUTION**

- No changes may be made to the wiring of the boiler;
- All connections should be designed in accordance with the applicable regulations;



**NOTICE**

**The Rinnai room thermostat and controls must be connected to their allocated connections. All other types or makes of room thermostats or controls which are used must have a Volt free contact.**

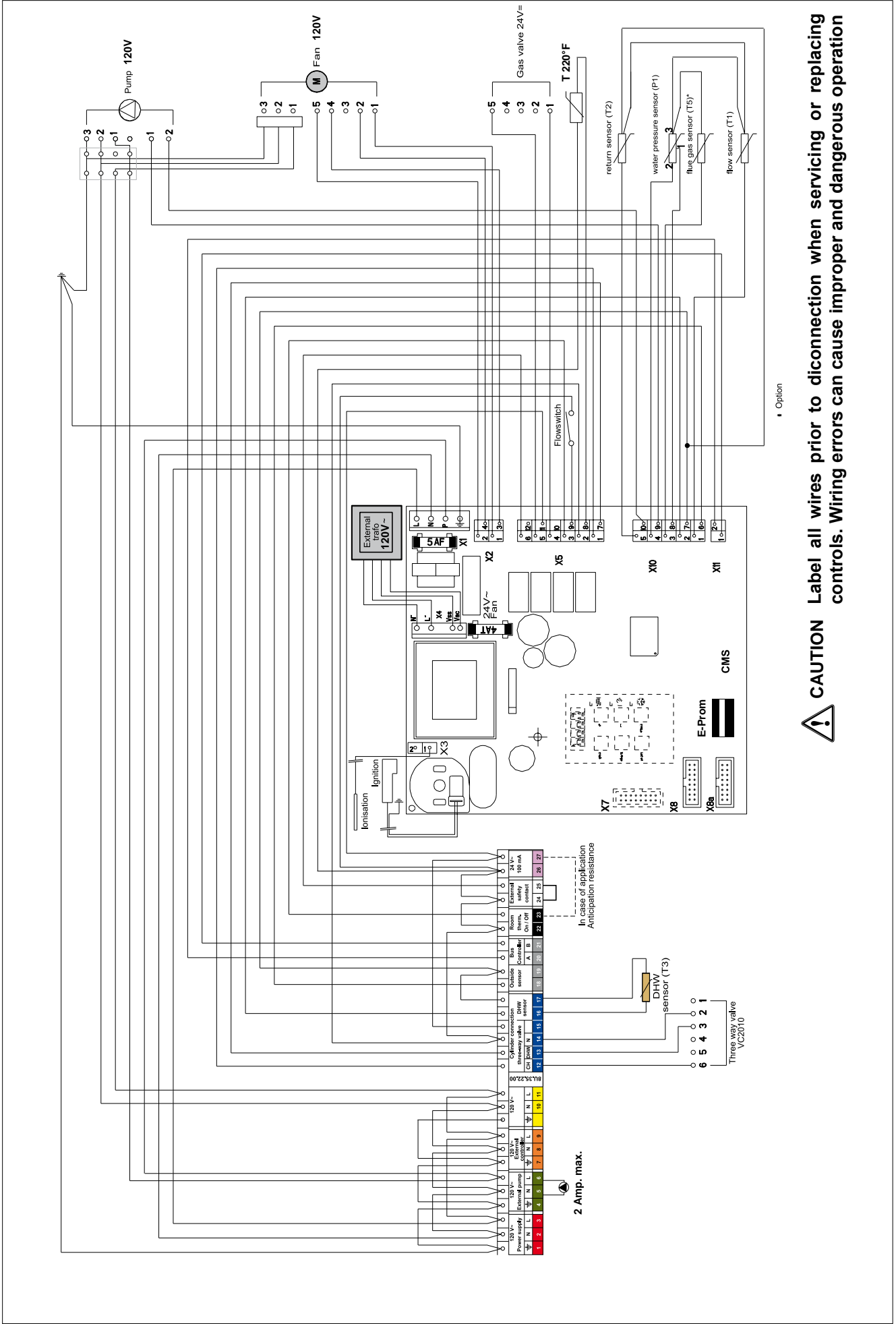
When using an on/off thermostat or control, it is possible that an anticipating resistance must be calibrated in order to prevent too high temperature fluctuations. As a standard rule this means mercury thermostats. This resistance wire is present in the Control Tower and must be connected to clamps 23 and 27. The anticipating resistance in the room thermostat has to be set at 0.11 A.

For more detailed questions regarding the components which are not supplied, the distributor should be contacted.

Connection terminal E-Series																													
120 V- Power supply			120 V- External pump			120 V- Ext. controller			120 V-			8U352200				Cylinder connection three-way valve			DHW sensor		Outside sensor		Bus Controller		Room therm. On / Off		External safety contact	24 V- 100 mA	
N	L		N	L		N	L		N	L		10	11	12	13	14	15	16	17	18	19	A	B	22	23		26	27	
main power supply			120 Volts for external pump			120 Volts for external control			120 Volts			internal three-way valve motor and DHW sensor				ARV12 outdoor sensor		Bus room thermostat		On/off thermostat or control (Volt free)		External safety contact	24 Volts maximum 100 mA						
<b>CAUTION</b>												<b>CAUTION</b>																	
												Make sure that the power consumption of each of the terminals 4-5-6, 7-8-9 and 10-11 does not exceed 230W or 2 Amp.																	

Connection terminal

figure 19



electrical diagram

figure 15

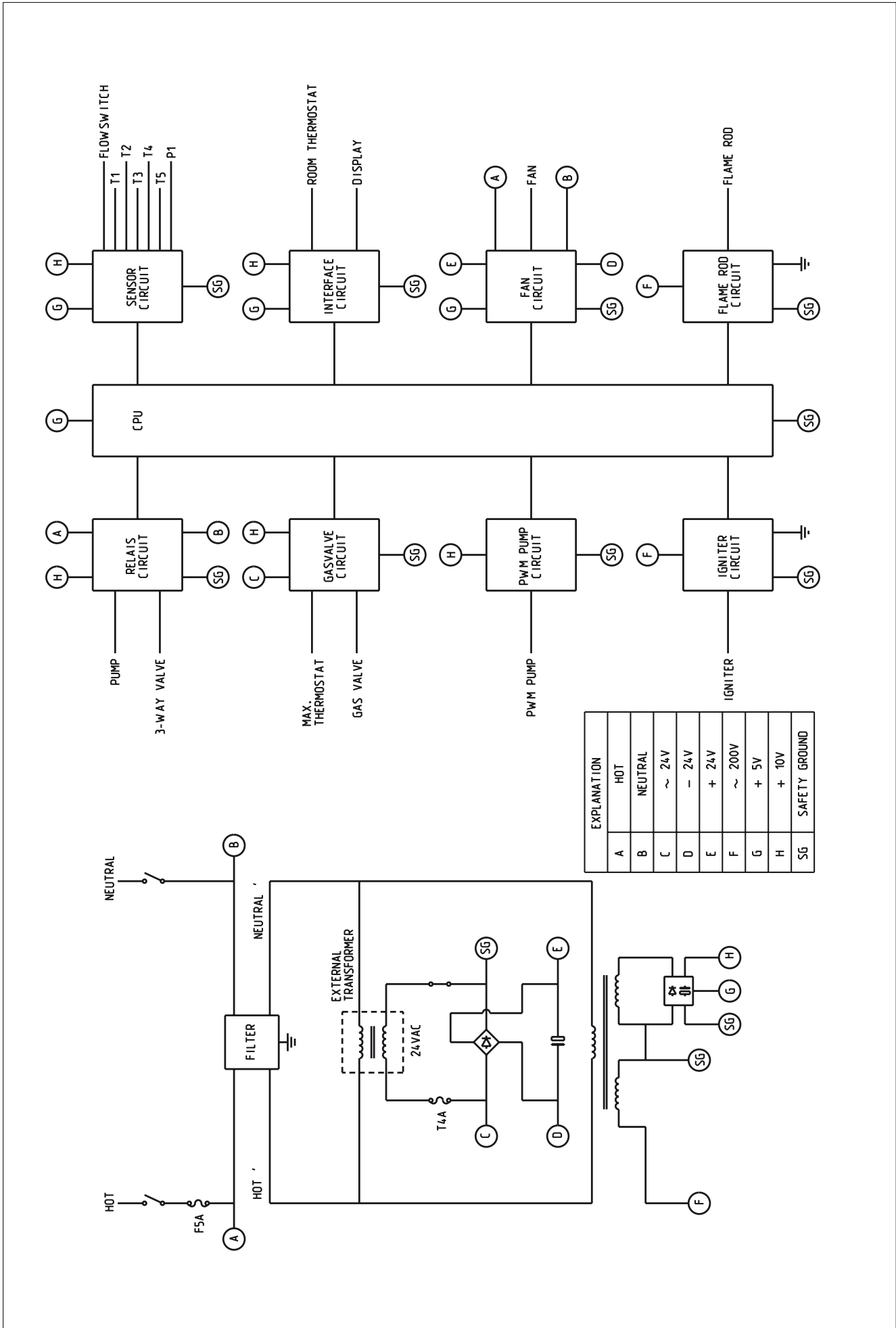


figure 15a

The boiler is provided with a fully automatic microprocessor control, called CMS Control Management System. This control simplifies operation by undertaking all major control functions. Initially when power to the unit is switched on it will remain on standby. There is no indication LED on, until one of the program buttons is pressed. The control panel display will show the relevant state. When the installation is empty the display will show FILL.

The various parameters can be called up in two ways:

#### The Good-state or standard read out

The first way shows a simple display read out.

The boiler in operation will always show 'Good'. When a message is necessary this will be shown instead of Good.

Example

#### Technical read out

The second way is a technical read out. In normal situations the following will be shown:

- on the left the status in which the boiler is active;
- on the right the supply temperature in °F;

Alternately indicated by:

- the water pressure in the installation in PSI.

Example

When a message (error or blocking code) is necessary this will be shown instead of the technical read out.

### NOTICE

**To switch over from the Good-state to the Technical read out (and vice versa):  
- Press the STEP-button for 5 seconds.**

When the system has been filled the automatic de-aeration program starts, when a program has been selected, by pressing the button for Central Heating, DHW or pump program ( , or ). The program takes 17 minutes and stops automatically. After this the unit will function normally. (See also 'Filling and de-aerate the boiler and installation, chapter 9).

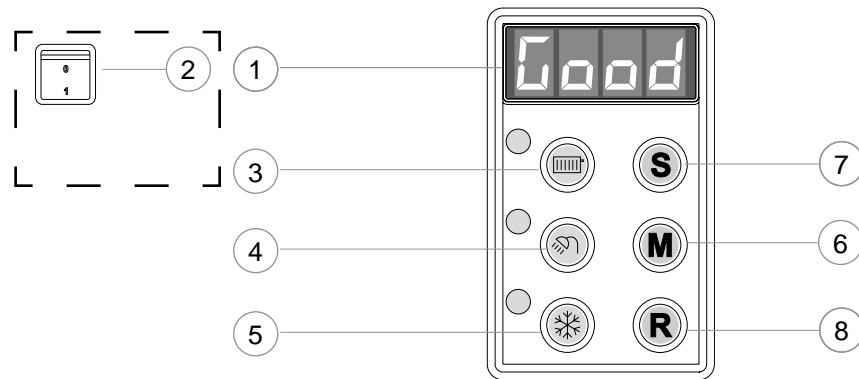
On a call for heating or hot water the control system will select the required water control temperature. This water temperature is called the T-set value. On a call for central heating the boiler ignites first at low input. The input is then changed slowly to match the load required. The boiler operates in this way to avoid excessive water noises and temperature overshoot. On a call for domestic hot water supply the T-set value of central heating return water temperature is monitored. Depending on the amount of domestic water which is withdrawn from the DHW facility, the central heating return water temperature, from which the input is adjusted, will vary.

#### Operation indication

(in the first display position by technical read out)

	No heat demand
	Fan pre/post purge
	Ignition phase
	Burner active on central heating
	Burner active on DHW
	Fan check
	Burner off when room thermostat is demanding
	Pump overrun phase for central heating
	Pump overrun phase for hot water
	Burner off because of too high flow temperature
	Automatic de-aeration program

## 8.1 Explanation of the function buttons



Boiler control panel

figure 16

### NOTICE

**Only qualified personnel who are trained for servicing these boilers are permitted to make alterations in the controller to calibrate the boiler to the installation.**



1. **Display.** See previous page for further information.
2. **ON-OFF Switch (Placed separately next to the boiler)**  
This switch turns the power supply to the boiler on or off.

### CAUTION

**Only turn the boiler off using this switch, when the burner is off..**



3. **Central Heating program button.**  
Switching the Central Heating on or off (LED on/off);



4. **Hot Water program button.**  
Switching the Domestig Hot Water (DHW) facility on or off (LED on/off);



5. **Pump program button.**  
adjusts the pump to continuous water circulation in the central heating system (LED on), or according to the pump overrun times on the relevant programs (LED off);

### NOTICE

When the pump is switched on continuously it can lead to undesired heating up of the central heating system during the summer.

6. **Mode-button.**  
*After briefly pressing, a selection of the data chapters can be retrieved.  
After pressing for 5 seconds it is possible to enter the code as described in chapter 11.3;*
7. **Step-button.**  
*After briefly pressing, the water pressure can be retrieved and pages per chapter can be retrieved.  
After pressing for 5 seconds it switches from the Good-state to technical read out and vice versa;*
8. **Reset-button.**  
*After briefly pressing, for:*
  - unlocking errors;
  - ending the access code;*After pressing for 5 seconds an operating stop is made, for example, for activating the automatic venting program.*

Some buttons have other functions. These functions are only active when according to the procedure described in chapter 10, adjustment has to be changed or data must be retrieved from the CMS. The other functions are:

3. Central Heating program button : + function;
4. Hot Water program button: - function;
5. Pump program button : store-function, which means that by means of this button a modified setting is confirmed; scrolling in a data chapter.
7. Step-button:

**CAUTION****CAUTION**

Observe the following rules of safety:

- All work on the unit must take place in a dry environment.
- Rinnai units may never be in operation without their housing, except in connection with maintenance or adjustments (see Chapter 12 and 13).
- Never allow electrical or electronic components to come into contact with water.

**NOTICE****NOTICE**

Carry out the following tasks in connection with maintenance, etc. to an already-installed unit:

- Shut down all programs
- Close the gas shut off valve
- Shut off the power at the main power switch
- Close the service valves (system supply and return)

**NOTICE**

Take note of the following when maintenance or adjustments are needed:

- The unit must be able to function during these activities; for this reason, the unit's supply voltage, gas pressure and water pressure must be maintained. Ensure that this is not a source of potential danger during these activities.

**NOTICE****WARNING**

**Following maintenance or other activities; always check the installation of all parts through which gas flows (with bubble test using leak-search spray).**

## 9.1 Requirements of the water system

Before filling the heating system, the complete system, including all zones, must be thoroughly cleaned and flushed to remove sediment. Flush until clean water runs free of sediment. Rinnai suggests using an approved system cleaner to flush the system, but not the boiler. See the Rinnai Boiler Applications Manual for further information and for a list of approved cleaners.

Approved antifreezes are Noble Noburst Aluminum, Rhomar RhoGard Aluminum Safe Multi-Metal. Never use salt bedding exchangers, reverse osmosis, D.I., or distilled water for filling the heating system.

**WARNING**

**Do not use petroleum-based cleaning or sealing compounds in the boiler system. Damage of seals and gaskets in boiler and system could occur, resulting in substantial property damage.**

The central heating installation needs to be filled with potable water.

**WARNING**

**Use only potable water or approved glycol for filling the heating system. When the water hardness of the filling water exceeds > 10.5 gpg (200 mg/L) and the volume of the installation > 20L/kW (5.2 gallons/3,412 BTU) the water has to be treated until below the maximum value of 10.5 gpg (200 mg/L). The pH value of the installation water must be between 6.5 and 8.5.**

Check the The pH value using a digital pH meter that has been properly calibrated or by having the water analyzed by a water treatment company.

If pH differs from above, contact Rinnai engineering for further assistance.

**NOTICE**

**Failure to adhere to the water quality requirements will result in a void of warranty.**

### **Freeze protection**

Freeze protection for new or existing systems must use glycol that is specially formulated for this purpose. This includes inhibitors, which prevent the glycol from attack the metallic components. This should be for multi-metallic components. Make certain to check that the system fluid is correct for the glycol concentration and inhibitor level. The system should be tested at least once a year and as recommended by the producer of the glycol solution.



**NOTICE**

**Use only Rinnai approved inhibitors. See the Rinnai Boiler Applications Manual for an approved list of inhibitors.**



**WARNING**

**Use only inhibited propylene glycol solutions, which are specially formulated for central heating systems. Ethylene glycol is toxic and can attack gaskets and seals used in the boiler and system. Approved glycols are listed in the Rinnai Boiler Applications Manual.**



**NOTICE**

**Additives in the installation water are not permitted.**

## **9.2 Filling the heating system**




For filling or topping up the installation you use the filling loop according to the following procedure:

1 Switch on the power supply;

**FILL**

2 The display will show FILL;



3 All functions off (heating , DHW  and pump 



4 Push briefly the 'STEP'-button: P XX (XX = water pressure in PSI);

5 Open the filling loop (Indication on display increases);

**P 22**

6 Fill up slowly to 22 to 25 PSI;

**STOP**

7 STOP appears on the display;




8 Close the filling loop;

9 De-aerate the complete installation, start at the lowest point;

10 Check the water pressure and if necessary top it up;

11 Close the filling loop;



12 Activate the functions in use (heating , DHW  and/or pump 

13 If A XX appears on the display, wait for 17 minutes;

14 Check the water pressure and if necessary top it up to 22 to 25 PSI

15 Close the filling loop;



16 Press the 'STEP'-button;

17 Be sure that the filling loop is closed.

**A XX**

18 After the automatic de-aeration program (A XX) is finished the boiler will return to

**Good**

**0 XX**

the Good state or Technical read out.

Check the water pressure regularly and top off the installation when necessary. The working pressure of the installation should be between 22 and 25 PSI when the system is cold.



## NOTICE

**It can take a while before all air has disappeared from a filled installation. Especially in the first week noises may be heard which indicate the presence of air. The automatic air vent in the boiler will remove this air, which means the water pressure can reduce during this period and therefore topping off with water will have to be done.**

During normal use the following messages can occur with the necessary follow up:

### **FILL**

Water pressure is too low (<10 PSI), FILL indication remains continuously visible, the boiler is taken out of operation. The installation needs to be topped off.



Water pressure is too low (<14,5 PSI), flashing FILL will alternate with indication of water pressure, boiler power of 50% is possible. The installation needs to be topped off.

### **HIGH**

Water pressure is too high (>52,2 PSI), if HIGH indication remains continuously visible, the boiler is taken out of operation. The installation pressure needs to be decreased by draining water.

## 9.3 Hot water supply

Apply the water pipe pressure to the DHW facility (open main valve and/or stop valve of the safety group).

Vent the DHW facility and the hot water installation by opening a hot water shut off valve. Leave the shut off valve open for as long as required until all air has disappeared from the DHW facility and the pipes and only water is flowing from the shut off valve.



## FOR YOUR SAFETY READ BEFORE OPERATING

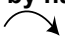

**WARNING: If you do not follow these instructions exactly, a fire or explosion may result causing property damage, personal injury or loss of life.**

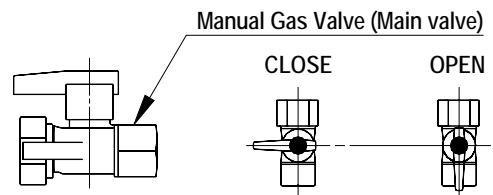
- A. This appliance does not have a pilot. It is equipped with an ignition device which automatically lights the burner. Do **NOT** try to light the burner by hand.
- B. **BEFORE OPERATING** smell all around the appliance area for gas. Be sure to smell next to the floor because some gas is heavier than air and will settle on the floor.

### WHAT TO DO IF YOU SMELL GAS


- Do **NOT** try to light any appliance.
  - Do **NOT** touch any electrical switch.
  - Do **NOT** use any phone in your building.
  - Immediately call your gas supplier from a neighbor's phone. Follow the gas supplier's instructions.
  - If you cannot reach your gas supplier, call the fire department.
- C. Use only your hand to push in or turn the gas control knob. Never use tools. If the knob will not push in or turn by hand, don't try to repair it, call a qualified service technician. Force or attempted repair may result in a fire or explosion.
- D. Do not use this appliance if any parts have been under water. Immediately call a qualified service technician to inspect the appliance and to replace any part of the control system and any gas control which has been under water.

## OPERATING INSTRUCTIONS

1. **STOP!** Read the safety information above this label.
2. Turn off all electrical power of the appliance.
3. Set the thermostat or other operating control to the lowest setting.
4. This appliance is equipped with an ignition device which automatically lights the burner. Do **NOT** try to light the burner by hand.
5. Close main gas shut off valve. 
6. Wait (5) minutes to clear out any gas. Then smell for gas. Including near the floor. If you smell gas, **STOP!** Follow "B" in the safety information above on this label. If you don't smell gas, go to the next step.
7. Open main shut off valve. 
8. Set the thermostat or other operation control to desired setting.
9. Turn on all electric power to the appliance.
10. If the appliance will not operate, follow the instructions "To Turn Off Gas To Appliance" and call your service technician or gas supplier.



## TO TURN OFF GAS TO APPLIANCE

1. Turn off all electric power to the appliance if service is to be performed.
2. Set the thermostat or other operating control to the lowest setting.
3. Close main gas shut off valve. 

8U.34.01.00 / 05.09

## 10 Adjustments

When the boiler is installed it is ready for use. All adjustments of the boiler control are already pre-programmed for a heating system with radiators/convectors with a supply temperature of 185°F. The adjustments are described in the Parameter chapter on page 44.

In certain cases parameters have to be altered in case of :

- Lower supply temperature
- High altitude/long vent length

Read through the Parameter chapter to adjust the boiler to its installation. Contact Rinnai in case of doubt.



### NOTICE

**Only qualified personnel who are trained for servicing these boilers are permitted to make alterations in the controller to calibrate the boiler to the installation.**

## 11.1 Altering adjustments





**STEP 1 Press the Mode-button for 5 seconds.**

*The display shows COdE followed by an arbitrary number;*

**STEP 2 Press by means of the + or the - button until the code C123 is shown;**

**STEP 3 Press the STORE-button to confirm the code (code blinks 1 x).**

*Now you have access to the installer level. There are 4 chapters:*

-  Parameters
-  Information chapter (no adjustments possible)
-  Service chapter
-  Error-chapter (no adjustments possible)

*The content of the chapters is described on the following pages.*

**STEP 4 Press briefly the MODE-button to select one of the 4 chapters, i.e. PARA;**

**STEP 5 Press once or more briefly on the STEP-button to select a Parameter**  
*(parameter visible on the left, value on the right) ;*

**STEP 6 Alter the value, if necessary/possible, by means of the + or the - button**

**STEP 7 Press briefly on the STORE-button to confirm the alteration.**

*When you have to change more values, repeat from step 5.*

**STEP 8 Press once or more on the MODE-button until StBY or Good is shown:**

*After a few seconds the text StBY will be replaced by the technical read-out or Good-state (Depending from the position the access code is entered)*

When you want to return from an arbitrary position to the original read out press once or more on the MODE-button until StBY is shown.



### NOTICE

If no single button is used within 20 minutes the display will return automatically to its original read-out (Good state or technical read out)

Parameter Mode			
PARA	FACTORY	DESCRIPTION	RANGE
1	186°F	maximum supply temperature CH	68 - 186°F
2*	00	type of CH installation:	
			01 DO NOT USE
		<i>radiators with large surface areas or underfloor heating as additional heating:</i>	02
		<i>T max. supply 158°F K factor heating curve 1.8; gradient 10°F/min; gear differential 10°F</i>	
		<i>under floor heating with radiators as additional heating:</i>	03
		<i>T max. supply 140°F; K factor heating curve 1.5; gradient 8°F/min; gear differential 8°F</i>	
		<i>full under floor heating:</i>	04
		<i>T max. supply 122°F; K factor heating curve 1.0; gradient 6°F/min; gear differential 6°F</i>	
3	max.	maximum power CH in kW (.. x3415 = .. BTU/hr)	min-max
4*	00	control principal with on / off thermostat:	
		100 % on / off thermostat	00
		100 % on / off weather dependant	01
5*	2.3	heating curve K-factor (see also heating curve graph)	0.2 - 3.5
6*	1.4	heating curve exponent (see also heating curve graph)	1.1 - 1.4
7*	14°F	heating curve climate zone (see also heating curve graph)	-4 - 32°F
10*	0°F	fine adjustment heating curve day temperature	-8 to 10°F
11*	0°F	fine adjustment heating curve night temperature	-8 to 10°F
14	10°F/min.	gradient speed °F/min.	0 - 28°F/min.
15*	00	Booster after night decrease*:	
		no	00
		yes	01
23	26°F	Frost Temperature	-4 to 50°F
27	32°F	Minimum T-set CH	0 - 158°F
31	132°F	DHW temperature	68 - 176°F
36	20	Type of three way valve DHW facility	
		VC 2010 / VC 8010	x0
		Flowswitch	2x
43	max.	Maximum power DHW in kW (.. x3415 = .. BTU/hr)	min-max
49	100%	Maximum pump capacity heating	100 %
73	0	Altitude and venting CFT. See chapter 6.7.7	0 - 100
89	00	Address	
		No function	-01
		Bus thermostat	00
90	01	Display reading	
		°C and Bar	00
		°F and PSI	01

Info Mode			
INFO	FACTORY	DESCRIPTION	RANGE
1	°F	supply water temperature T1	
4	°F	return water temperature T2	
5	°F	DHW temperature T3	
7	°F	outdoor temperature T4	
8	°F	flue gas temperature T5 (optional sensor)	
16	%	actual power in %	
17	kW	actual power in kW (.. x3415 = .. BTU/hr)	
18	kW	actual load in kW (.. x3415 = .. BTU/hr)	
20		indication bus communication	
21	GJ	consumption total in GJ (.. x 33 = .. m3)	
22	GJ	consumption CH in GJ (.. x 33 = .. m3)	
23	GJ	consumption DHW in GJ (.. x 33 = .. m3)	
24	h	total number of burner run hours	
25	h	number of burner run hours CH	
26	h	number of burner run hours DHW	
32	h	total number of hours counter	
37	h	total number of run hours pump CH and DHW	
46	h	within how many hours is service required	

Service Mode			
SERV	VALUE	DESCRIPTION	RANGE
1	OFF	boiler in operation with burner function on	OFF - max.
2	OFF	fan adjustable and burner off	OFF - max.
3	OFF	pump adjustable with burner on	OFF - max.
4	OFF	showroom position ON = active and OFF = non active	ON - OFF

Error Mode		
ERRO	VALUE	DESCRIPTION
Err.L - Err.5		Last saved error until 5 last previous errors
1		error code
2		operation status boiler
3	°F	supply water temperature T1
4	°F	return water temperature T2
5	kW	load (.. x3415 = .. BTU/hr)
6	%	pump capacity

Parameter-, Info-, Service- and Error-chapters

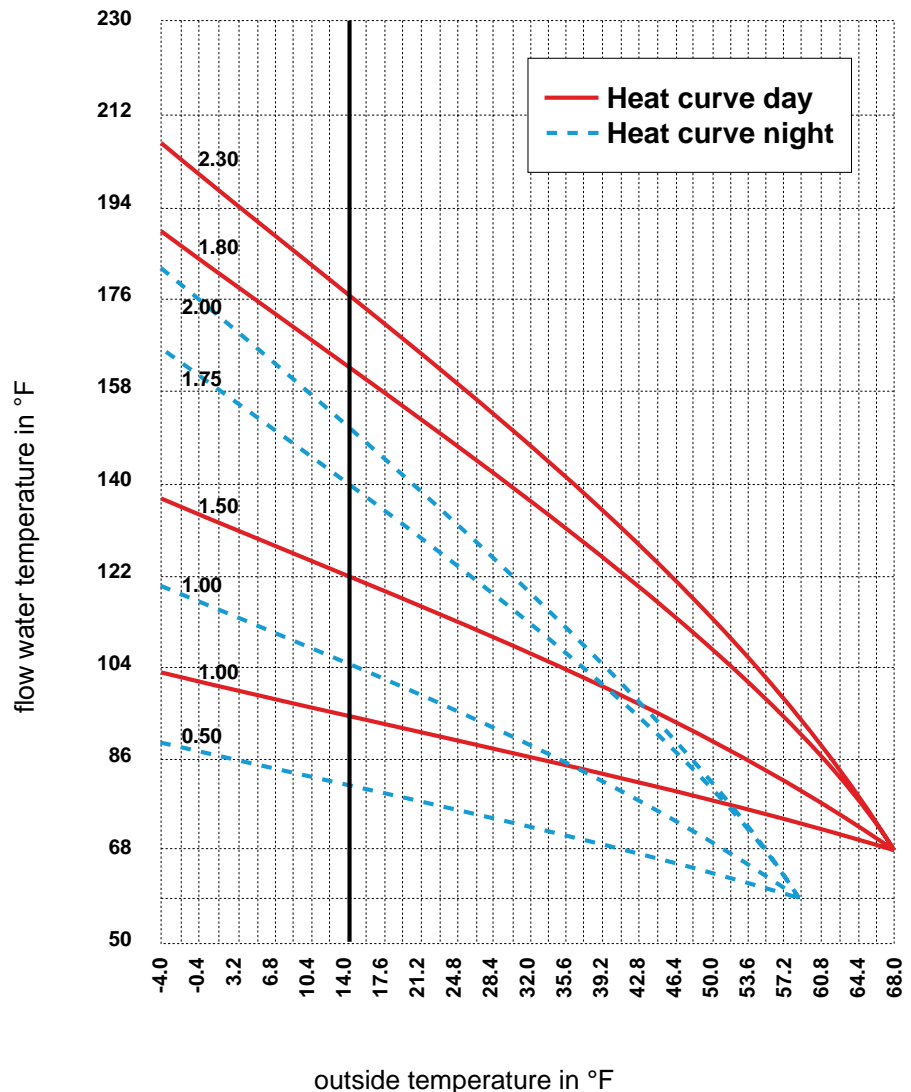
Table 12



**NOTICE**

\* Most of the data in this table can be requested by the RS100. Most of the adjustments which are stated in this table are unnecessary when in combination with the Rinnai RS100 thermostat and will be taken care of by the RS100 itself and do not have to be adjusted. For further information regarding to the RS100 thermostat refer to the Rinnai RS100 installation manual.

**Outdoor reset**

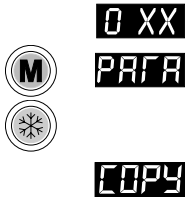


heating line adjustments Parameter Step 6 and 7

graph 2

## 10.2 Activating factory settings (green button function)

To activate the factory settings again please follow the next procedure (Note: all altered adjustments will be set back to their original factory settings):






- Select, when necessary, the technical read out;
- Select with the MODE-button chapter PARA;
- Press the STORE-button.

The word "Copy" will appear and the factory settings are active again.

## 11 Isolating the boiler



Some situations require turning the entire boiler off.

By switching off the three buttons with the LED's for central heating, hot water and pump program ( ,  or  ), the boiler is switched off. Do not shut off the power of the boiler, which means the circulation pump and the three-way valve are activated once every 24 hours in order to prevent these parts from seizing up.



**CAUTION**

**In the event of frost danger during an isolated boiler it is advisable to drain the boiler and/or the installation.**

**i** NOTICE

**Work on the boiler must be carried out by a competent person, using correctly calibrated instruments with current test certification. These installation instructions are intended for professional installers, who have the necessary knowledge and are approved for working on heating and gas systems.**

Before the boiler is fired, ensure that the boiler and the system are well de-aerated and free of air. Purge the gas line between the gas meter and the boiler.

**i** NOTICE

**The boiler and its individual shut off valve must be disconnected from the gas supply piping system during any pressure testing of that system at test pressures in excess of 1/2 PSI (3.5kPa).**

To commission the boiler the casing has to be removed.

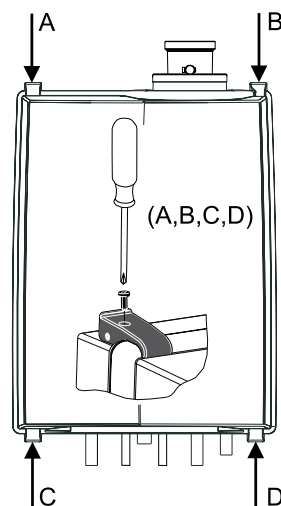
- remove the 4 screws A,B,C and D in the quick releases of the casing (figure 17);
- remove the screw E behind the door on the front of the casing (figure 17);
- remove it towards the front.

The boiler settings, such as burner pressure and adjustment of the air quantity are unnecessary, due to the fact that the boiler operates with a zero pressure control. This means the correct gas quantity is controlled by the suction operation of the fan. The fine adjustment which is carried out at the factory is once-only, which means that adjusting of these values is unnecessary. Only in case of replacing of the gas valve, venturi and/or fan, the zero pressure and the incorrect O<sub>2</sub> adjustment has to be checked and, if necessary, adjusted at the right value.

**!** DANGER

**Always check the installation of all parts through which gas flows (by bubble test using leak-search spray)**

During the commissioning of the boiler the Rinnai Installation, Commissioning, and Service card must be filled out.



Removing casing

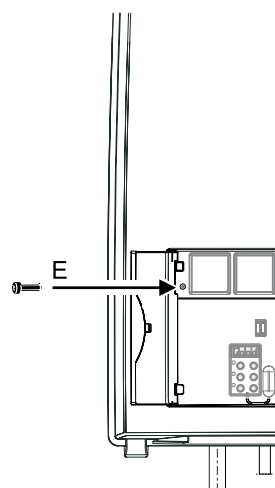


figure 17

## 12.1 Testing for gas leaks

Prior to start-up of the boiler you must check the external tightness of the gas supply valve and confirm this in the start-up report.



**WARNING**

- Cover endangered positions before leak testing.
- Do not spray the leak testing agent onto cables, plugs, electrical connection lines or electronic circuit boards. Do not allow it to drip onto them either.

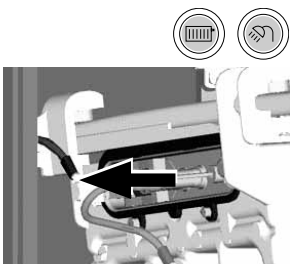


**DANGER**

**Leaks may be caused to pipes and screw connections during commissioning and maintenance activities.**

- Carry out a proper leak test.
- Only use approved leak detection agents for leak detection.
- Disconnect the heating system from the power supply.
- Check the exterior tightness of new conduit sections up to and including the direct sealing point on the gas burner fitting. The maximum test pressure allowed on the input of the gas burner fitting is 14 inch W.C. (35mbar).

## 12.2 Testing the Ignition Safety shut off device



- Switch off system using the Central Heating button and the DHW button

- Disconnect the plug and socket connection of the ionization cable.



- Switch on the system using the Central Heating button and the DHW button.



- Press the MODE-button for 5 seconds.



- The display will show COdE followed by an arbitrary number;



- Select by means of the  or the  button the code C123;



- Press the Store-button to confirm the code (code blinks 1 x);




- Press the MODE-button until SERV is shown;



- Press the STEP-button once until 1 is shown; alternately 1 and OFF will be shown.



- Press the  button once; Check if the boiler does one start-up attempt and four restart attempts. After the last start-up attempt, the boiler will lock out. The gas valve is shut off. The E02 code is blinking in the display.



- Connect the plug and socket connection of the ionisation cable.



- Press the reset button.
- Check if the boiler starts-up.



**WARNING**

**Do not touch the inside of the ignition cable while it is disconnected during start up of the boiler.**

## 12.3 Checking for contamination

### NOTICE

In order to be able to check the boiler for contamination in the following running years it is advisable to measure the maximum air displacement in the boiler when putting the boiler into operation. This value can be different with each type of boiler.

In order to be able to measure this value follow the next procedure:





- Press the MODE-button for 5 seconds.

CODE

- The display will show COdE followed by an arbitrary number;

C123

- Select by means of the  or the  button the code C123;



- Press the Store-button to confirm the code (code blinks 1 x);

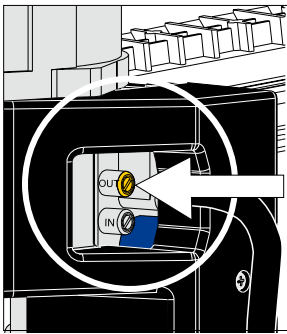


- Press the MODE-button until SERV is shown;



2 OFF


- Press the STEP-button until 2 is shown; alternately 2 and OFF will be shown.



Check point contamination  
figure 18

- Turn open the upper measuring nipple on the gas valve (fig. 18);
- Connect the hose of the digital pressure gauge to the upper measuring nipple of the gas valve




- Press the  button until the maximum value is achieved; The fan will function to its maximum revolutions (burner stays off)

### NOTICE

- Measure the under pressure and write down this value.  
**At the next servicing visit this value may drop 20% of its original value on the moment of installation. When this value is dropped more than 20% the boiler needs maintenance.**



- Press the  button until OFF is shown (keep button pressed) With this the procedure is finished.



## 12.4 Checking of the zero pressure control

### NOTICE

The zero pressure control is set at the factory. To measure this value you need a difference pressure gauge with a range of +0,2 to -0,8 mbar (+0.08 to -0.001" W.C.). Follow the next procedure:



- Press the MODE-button for 5 seconds.

**COdE**

- The display will show COdE followed by an arbitrary number;

**C123**

- Select by means of the  or the  button the code C123;



- Press the Store-button to confirm the code (code blinks 1 x);

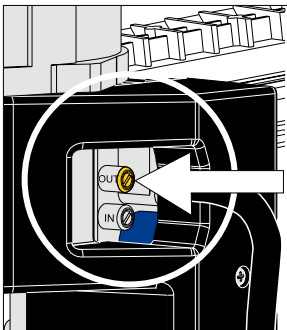


- Press the MODE-button until SERV is shown;




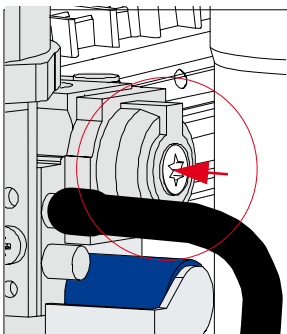
**1 OFF**

- Press the STEP-button once until 1 is shown; alternately 1 and OFF will be shown.



Check point contamination  
figure 19

- Turn the upper measuring nipple on the gas valve open (fig. 19);
- Connect the hose of the digital pressure gauge to the upper measuring nipple of the gas valve
- Press the  button until the minimum value is achieved; The fan will function to its minimum revolutions (burner is active)
- Measure the negative pressure.  
Value should be 0 to -4Pa (0 to -0.04 mbar or 0 to -0.016" W.C.).



Adjustment zero pressure  
figure 20

- If the zero pressure deviates too much:
  - Remove black cover of the gas valve
  - Remove cap with Torx screwdriver (fig. 20)
  - Turn slightly the Torx screw behind the cap:
    - Turn left is positive pressure deviation
    - Turn right is negative pressure deviation



- Ending this procedure is done by pressing the Reset button.
- Proceed by checking the O<sub>2</sub> value and correct it if necessary.

## 12.5 Checking the O<sub>2</sub>

### NOTICE

The O<sub>2</sub> percentage is factory-set. This has to be checked at commissioning, maintenance and faults.

This can be checked by means of the following procedure:

- Remove the black cover of the gas valve by unscrewing the sealed screw.
- Put the boiler into operation and take care that it can deliver its heat;



Tip: If there is no demand for heat on CH, turn the hot water tap completely open and measure the O<sub>2</sub>.





- Press the MODE-button for 5 seconds.

CODE

- The display will show COdE followed by an arbitrary number;

C123

- Select by means of the  or the  button the code C123;



- Press the Store-button to confirm the code (code blinks 1 x);

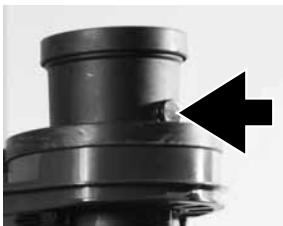


- Press the MODE-button until SERV is shown;




1 OFF

- Press the STEP-button once until 1 is shown; alternately 1 and OFF will be shown.



checkpoint CO<sub>2</sub>

figure 21

- Calibrate the O<sub>2</sub> meter ;
- Place the probe of the O<sub>2</sub> meter into the check point (see fig. 21);
- Press the  button until the maximum value (in kW) is achieved; The boiler will burn on full load (value on display in kW) value in BTU/hr = x3415
- Check the O<sub>2</sub> percentage:
 

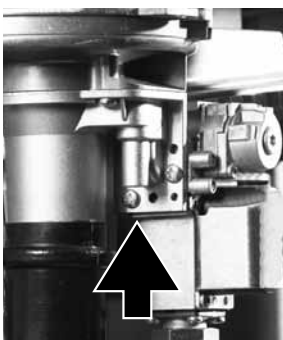
Natural gas: full load:	between 4.4% and 4.7%
min. load:	between (setting of full load +0.2%) and 6.0%
Propane: full load:	between 4.8% and 5.1%
min. load:	between (setting of full load +0.2%) and 6.0%

*Example: Full load set on 4.6% O<sub>2</sub> (natural gas) then the minimum load setting should be between 4.8% and 6% O<sub>2</sub>*

### NOTICE

**Choose the right O<sub>2</sub> value according the kind of gas (Natural Gas or Propane Gas). Wrong adjustment may result causing property damage, personal injury or death.**

- Let the O<sub>2</sub> meter do its measuring procedure.
- Adjust, if necessary, the adjustment screw to correct the O<sub>2</sub> value (see fig. 22).



adjustment screw CO<sub>2</sub>  
figure 22

OFF

Ending the O<sub>2</sub> measuring procedure:

- Press the - button until OFF is shown (keep button pressed). With this the procedure has ended..
- Replace the black cover on the gas valve and fix it with the screw.

## 12.6 Measuring the ionization current



- Switch off the system using the Central Heating button and the DHW button

- Disconnect the plug and the socket connection on the probe and connect the measuring device in series. See figure 23. Select the  $\mu\text{A}$  direct current range on the measuring device. The measuring device must have a resolution of at least  $1 \mu\text{A}$ .



Ionization test figure 23



- Switch on the system using the Central Heating button and the DHW button.



- Press the MODE-button for 5 seconds.



- The display will show COdE followed by an arbitrary number;



- Select by means of the or the button the code C123;



- Press the Store-button to confirm the code (code blinks 1 x);



- Press the MODE-button until SERV is shown;



- Press the STEP-button once until 1 is shown; alternately 1 and OFF will be shown.



- Press the button until the maximum value (in kW) is achieved;  
The boiler will burn on full load (value on display in kW)  
value in BTU/hr = x3415

- Measure the ionization. When the boiler is in full load the ionization current must be  $> 4 \mu\text{A}$  and write down this value in the log book.



- Press the button until OFF is shown (keep button pressed).



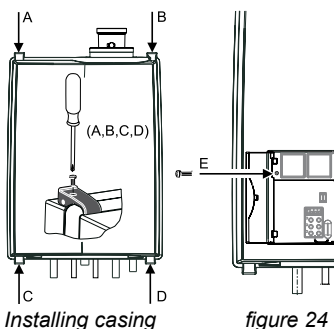
- Switch off the system using the Central Heating button and the DHW button

- Disconnect the measuring device and restore the plug and the socket connection on the probe.



- Switch on the system using the Central Heating button and the DHW button.

## 12.7 Installing the casing



- Install the cover on the boiler and close all 4 quick releases of the casing

- Tighten the 4 screws A,B,C and D in the quick releases (figure 24);

- Tighten the screw E behind the door on the front of the casing (figure 24);

## 13 Maintenance



### NOTICE

Maintenance or changes to the boiler may only be carried out by a qualified technician.

### 13.1 Periodic examination of venting systems and boiler

The inspection of the boiler and venting system should be done every 2 years and full maintenance every 4 years or 4000 hours of operation, whichever occurs first.. When doing this the circumstances of the boiler's location must be taken into account. From this one can determine whether to deviate from this advice.



### NOTICE

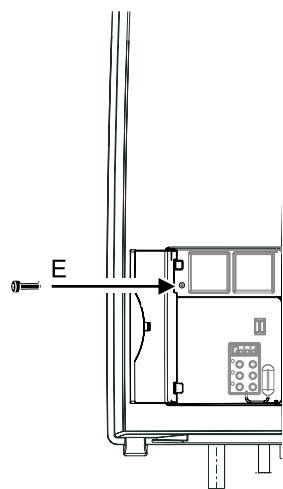
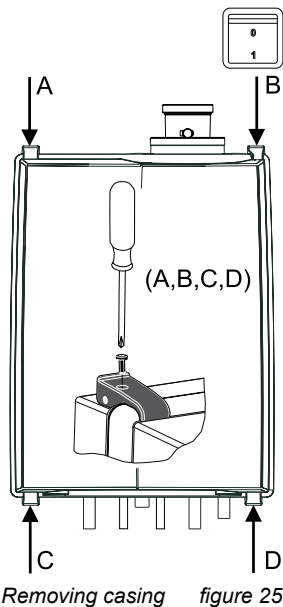
**Please contact Rinnai for further guidance on the frequency and service requirements. Contact details can be found on the back page of this manual.**

### 13.2 Inspection

Preparing the boiler for inspection

To carry out the maintenance activities please follow the next procedure:

- switch off the power supply;
- shut off the gas;
- valve off the boiler from the system using the boiler isolation valves in the plumbing kit.
- remove the 4 screws A,B,C and D in the quick releases of the casing (figure 25);
- remove the screw E behind the door on the front of the casing (figure 26);
- remove it towards the front.
- clean the casing with a cloth with a simple (non-abrasive) cleaning agent;



## **14.2.1 Visual inspection for general signs of corrosion**

- Check all gas and water pipes for signs of corrosion.
- Replace any pipes that are corroded.

## **14.2.2 Measuring the ionization current**

See subsection 12.6 "Measuring the ionization current".

## **14.2.3 Measuring the inlet gas pressure**

See subsection 6.4.1 and .2 "Gas connection with natural gas" and "Gas connection with propane".

## **14.2.4 Checking and adjusting the gas/air ratio**

See subsection 12.4 "Checking of the zero pressure control".

## **14.2.5 Testing for gas leaks**

See subsection 12.1 "Testing for gas leaks".

## **14.2.6 Carrying out a pressure test of the heating system**

See chapter 9.2 "Filling the heating system".

## **14.2.7 Checking venting systems**

Check the following points:

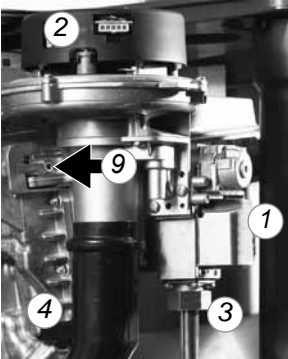
- Is the prescribed combustion air/flue system used?
- Have the instructions for configuring the flue system as specified in the relevant Installation instruction for the flue gas system been observed?
- Check air intake and flue gas for obstruction or damage.

## 13.2 Maintenance activities

### The fan unit and burner cassette (figure 27 to 29) (2 and 4 year maintenance)

- remove the electrical connection plug from the gas valve (1) and fan motor (2);
- loosen the nut (3) of the gas pipe under the gas valve;
- **replace the gasket with a new one;**
- loosen the front cross head screw (4) of the black plastic silencer;
- after this turn the two clamping rods (9 and 10) ¼ turn and remove them by pulling them forward. **Note the correct turning direction (red indicator. fig. 29);**
- slightly lift the fan unit and remove it towards the front of the heat exchanger;
- remove the burner cassette out of the fan unit;
- check the burner cassette for wear, pollution and possible cracks. Clean the burner cassette with a soft brush and vacuum cleaner.

#### NOTICE



fan unit and gas valve  
figure 27

#### NOTICE

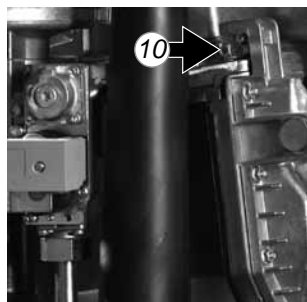


figure 28

### **If burners are cracked replace the complete burner cassette;**

- **replace the gaskets between burner and fan unit and the gasket between fan unit and heat exchanger;**
- check the venturi and the gas-air distribution plate for pollution and clean this part, if necessary with a soft brush and vacuum cleaner. If the air box contains a lot of dirt it is plausible that the fan itself is dirty as well. To clean this, the fan has to be removed from the hood and the venturi. Clean the fan with a soft brush and a vacuum cleaner. Replace the gasket and ensure that all gaskets of the fan parts are mounted correctly.

### Heat exchanger (2 and 4 year maintenance)

- check the heat exchanger for contamination. Clean this if necessary with a soft brush and a vacuum cleaner. Prevent dirt falling down into the heat exchanger.

#### NOTICE

### **Flushing the heat exchanger from the top down is not permitted**

Refitting of the components is done in reverse order.

**Make sure that during refitting the clamping rods they are put in the right position. They should be turned vertical.**

**If the boiler should activated with clamping rods in the wrong position it will cause serious property damage, personal injury or loss of life.**

### Ignition electrode (4 year or 4000 hour maintenance)

The replacement of the electrode is only necessary when the electrode is worn off. This can be checked by measuring the ionisation current. The minimum ionisation current has to be higher than 4µA on full load.

**If the inspection glass is damaged the complete electrode must be replaced.**

Replace the ignition assembly after 4 years or 4000 hours, whichever occurs first.

Replacement goes as follows:

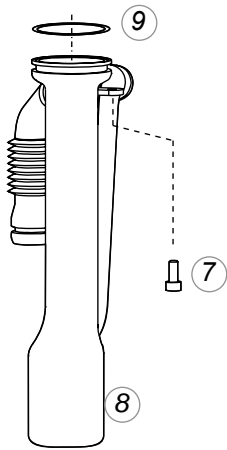
- remove the electrical connections of the electrode;
- press the clips on both sides of the electrode to both sides and remove the complete electrode;
- remove and replace the gasket;

Refitting of the components is done in reverse order.

#### DANGER



Clamping rods  
figure 29



## Condensate trap and condensate tray (figure 30-32) (2 and 4 year maintenance)

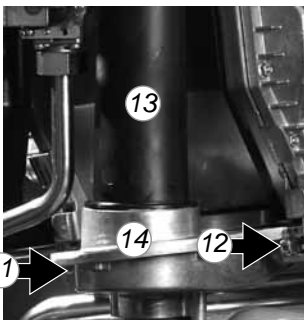
### Step 1: Condensate trap

- first remove the screw (7);
- pull the condensation cup (8) downwards, out of the condensate tray (14)  
Check this for impurities. If there is not a lot of impurities it is not necessary to clean the condensate tray (Go to Step 3). If there is a lot of impurities in the cup it is necessary to remove and clean the condensate tray according Step 2;
- check the O-ring (9) of the cup and replace if necessary;
- clean the parts by flushing it with clean water;
- grease the O-ring again with acid free O-ring grease to make fitting easier;
- if there is a leak at the condensate trap (8) replace complete condensate trap by S4421200;

### Step 2: Condensate tray

- remove the plug from the flue gas sensor if present;
- turn the two short clamping rods (11 and 12) ¼ turn and remove them by pulling them forward; Note the right turning direction (red indicator);
- lift the exhaust pipe (13) out of the condensate tray (14);
- press the condensate tray (14) carefully downwards and remove it by pulling it forward;
- replace the gasket between condensate tray and heat exchanger by a new one;
- clean the condensate tray with water and a hard brush;
- check the condensate tray on leaks.

Siphon figure 30



Condensate tray figure 31

**Step 3:** Refitting is done in reverse order.

Note that all gaskets seals completely.

**DANGER**



Clamping rods figure 32

**DANGER**

**WARNING**

**Make sure that during refitting the clamping rods they are put in the right position. They should be turned vertical.**

**If the boiler should activated with clamping rods in the wrong position it will cause serious property damage, personal injury or loss of life.**

Put the boiler into operation and check the O<sub>2</sub> (see page 50).

**If replacement by new gaskets and burner mentioned in this chapter is not done within the service interval subscribed by Rinnai the boiler can be damaged and will cause serious property damage, personal injury or loss of life.**

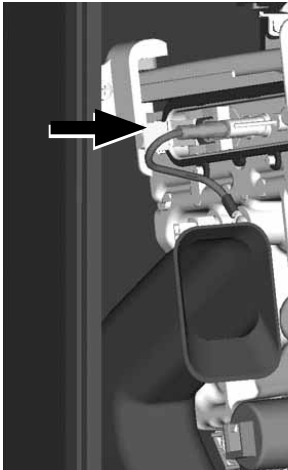
**Use only original spare parts supplied by Rinnai. If other parts will be used the boiler can be damaged and will cause serious property damage, personal injury or loss of life. Use of non-Rinnai parts will result in the void of warranty.**

### Visual inspection of the flame

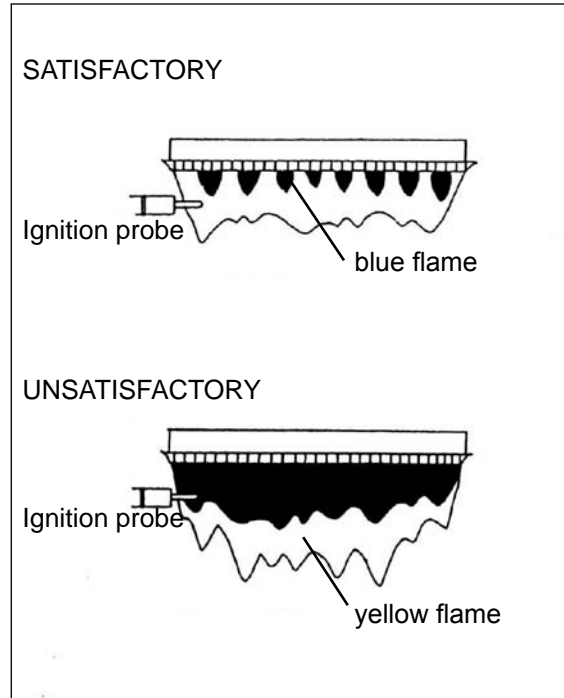
The burner must flame evenly over the entire surface when operating correctly. The flame must burn with a clear, blue, stable flame.

Check the flame through the inspection glass in the ignition probe (fig. 33).

The flame pattern should be as shown in the figures below.



Inspection glass figure 33



Further checks:

- Inspect the pressure relief valve
- Clean the water filter in the return pipe
- Check the pH of the water or glycol/water mixture.

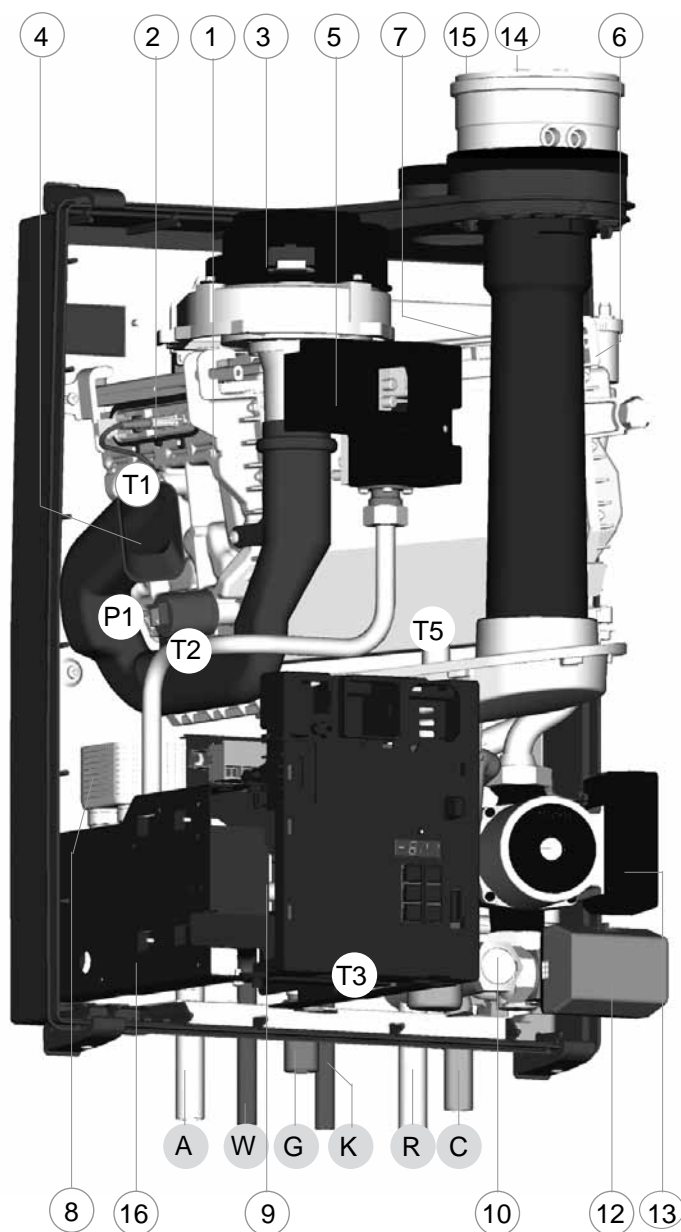
Verify proper operation after servicing.

## 13.4 Warranty

For warranty conditions refer to the warranty card supplied with the boiler.



## 14 Parts of the boiler



Rinnai E-Series

figure 32

- |                            |                           |
|----------------------------|---------------------------|
| 1 heat exchanger           | 9 operating panel         |
| 2 ignition unit            | 10 Control Tower (CMS)    |
| 3 fan unit                 | 11 water filter return CH |
| 4 air inlet damper         | 12 three-way valve        |
| 5 gas valve                | 13 circulation pump       |
| 6 automatic de-aerator     | 14 exhaust                |
| 7 ceramic burner cassette  | 15 combustion air supply  |
| 8 plate heat exchanger DHW | 16 data plate             |

T1 supply sensor  
T2 return sensor  
T3 sensor DHW and flow switch

P1 water pressure sensor

G gas pipe  
A supply central heating  
R return central heating  
C condensate pipe  
K cold water pipe  
W hot water pipe

## Error indication (short reference)

A detected error is indicated on the display by means of blocking or error messages. A distinction should be made between these two messages due to the fact that blocking can be of a temporary nature, however, error messages are fixed lockings. The control will try its utmost to prevent locking and will temporarily switch off the unit by blocking it. Hereunder is a list of some messages.

Blocks **bL** with a number in the last 2 positions.

- bL01** Block 01:  
External safety contact cut off
- bL11** Block 11:  
Maximum  $\Delta T$  of flow and return sensor in central heating has repeatedly been exceeded. During the block normal operation of the hot water supply is possible. The pump continues to operate at minimum capacity during the block.
- bL12** Block 12:  
Maximum  $\Delta T$  of flow and return sensor in domestic hot water has repeatedly been exceeded. During the block normal operation of the central heating installation is possible. During the block the pump continues to operate at minimum capacity.
- bL60** Block 60:  
Incorrect parameter setting of the minimum or maximum power.
- bL67** Block 67:  
A  $\Delta T$  has been detected between flow and return sensor whereas the burner is not in operation. After the  $\Delta T$  has disappeared the block will clear.
- bL85** Block 85:  
The control has not detected a water flow. The venting cycle is started. If during this cycle water flow is detected, the venting cycle is ended and the burner is released.

Error **E** with a number in the last two positions.

- E 00** Error 00: Poor flame-forming
- E 01** Error 01: short-circuit of 24 volt circuit
- E 02** Error 02: no flame-forming
- E 04** Error 04: adjustment or error for voltage interruption
- E 05** Error 05: adjustment
- E 12** Error 12: fuse 24 volt/3AT faulty
- E 18** Error 18: maximum flow temperature exceeded
- E 19** Error 19: maximum return temperature exceeded
- E 28** Error 28: number of revolutions not reported back from fan
- E 69** Error 69: no or incorrect display



**NOTICE**

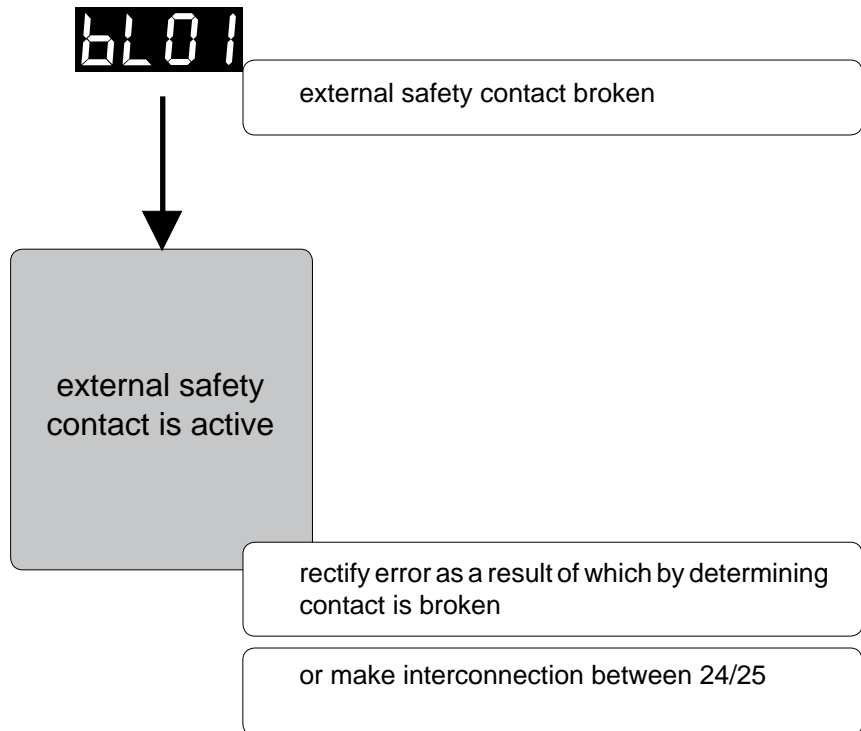
The following pages describes more detailed follow up instructions for solving blockings, errors and practical circumstances. These instructions are only for Rinnai trained installers and technicians.

## 15.1 Blocks

An error, which has been detected, is indicated on the display by a block message. Blocks can be temporary in nature. The controller will do everything possible to prevent a system lock and temporarily switching off the boiler as a result of a block. Please see below for a summary of blocks.

Blocks **bL** with a figure on the last 2 characters.

### 15.1.1 Block 01



bl 11

maximum average  $\Delta T$  of supply and return sensor for central heating is repeatedly exceeded. Operation is normally possible for the hot water supply during the block. The pump continues to operate at minimum capacity during the block.

check flow through the installation

see the installation instructions for the hydraulic connections to the boiler (3-Way-Thermostatic valve, Plumbing Kit installed?)

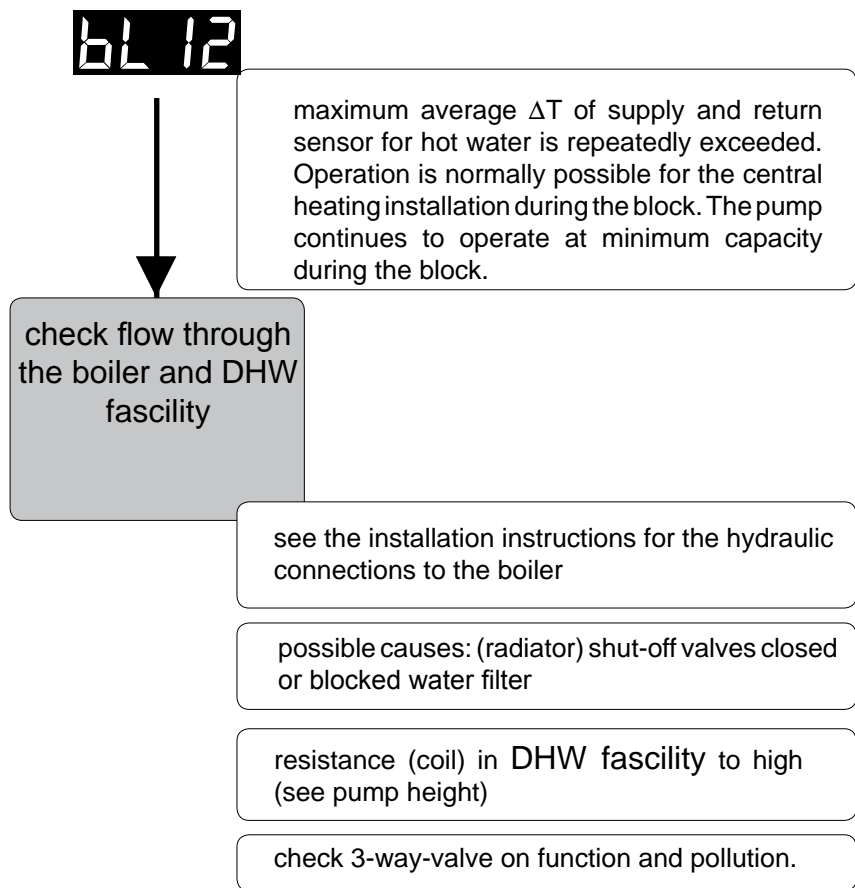
possible causes: (radiator) shut-off valves closed or blocked water filter

activated room sensor (RS101) in non leading room (closed thermostatic radiator valves?)

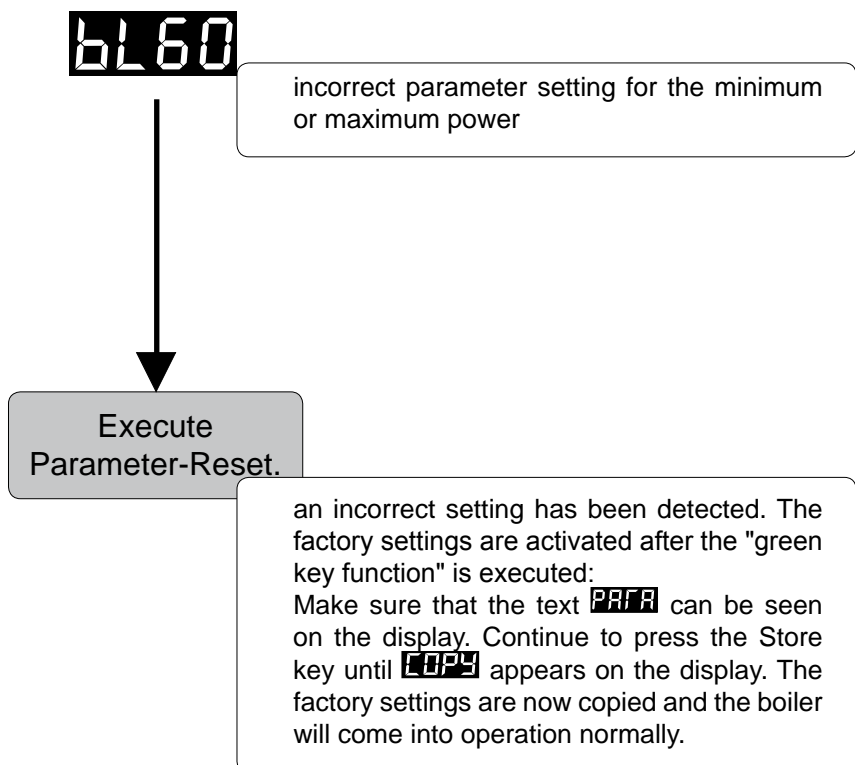
check pump height.

check minimum and maximum Temperature difference in Parameter Step 46 + 47.

### 15.1.3 Block 12



### 15.1.4 Block 60



6L67

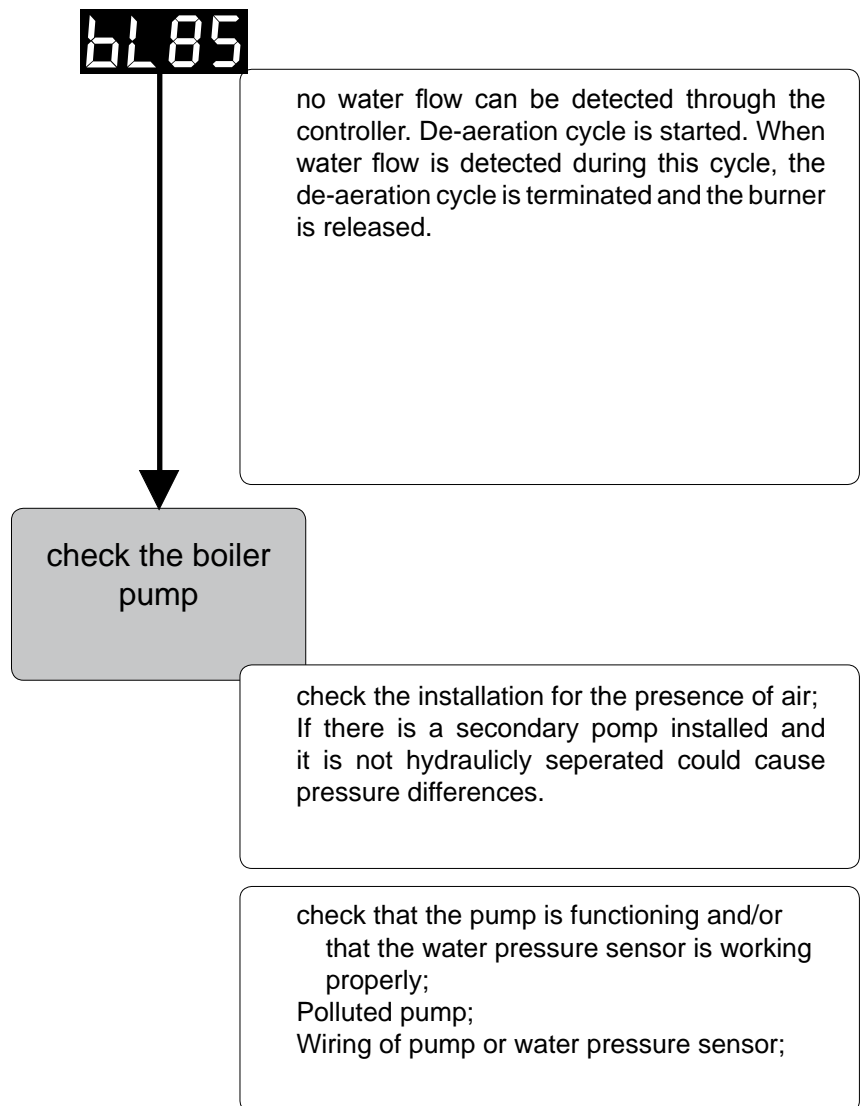
a temperature difference has been detected between the supply and return sensor whilst the burner is not in operation. After the average  $\Delta T$  has disappeared, the block will disappear.

check the sensors  
NTC 1 and NTC 2

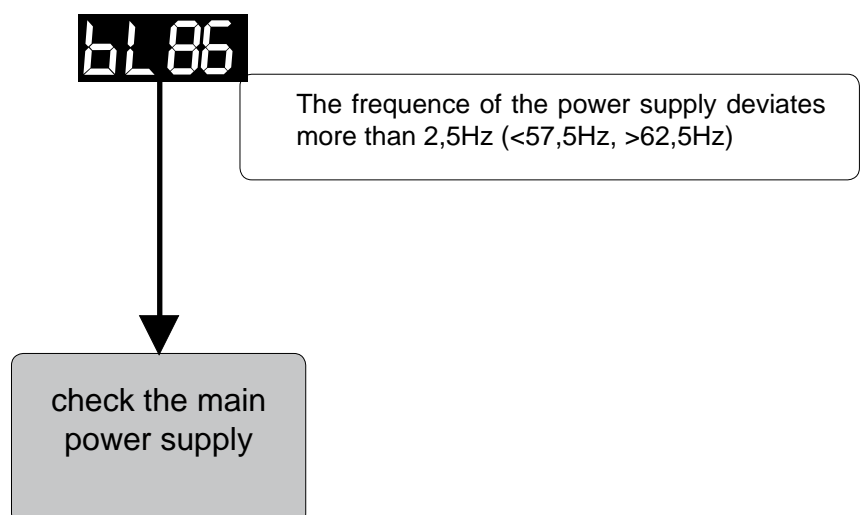
check the supply and return sensor for the resistance value and replace the defective sensor

check the installation for any external heat source and rectify this

## 15.1.6 Block 85



## 15.1.7 Block 86

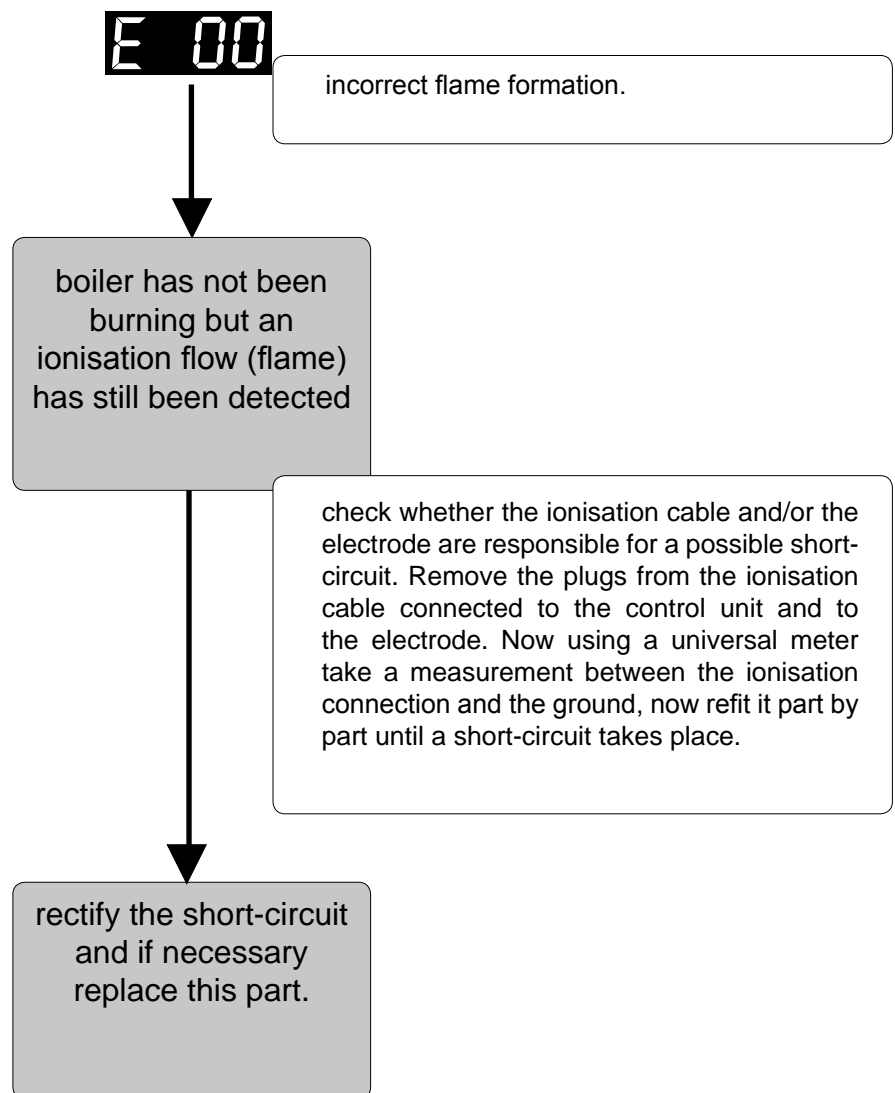


## 15.2 Errors

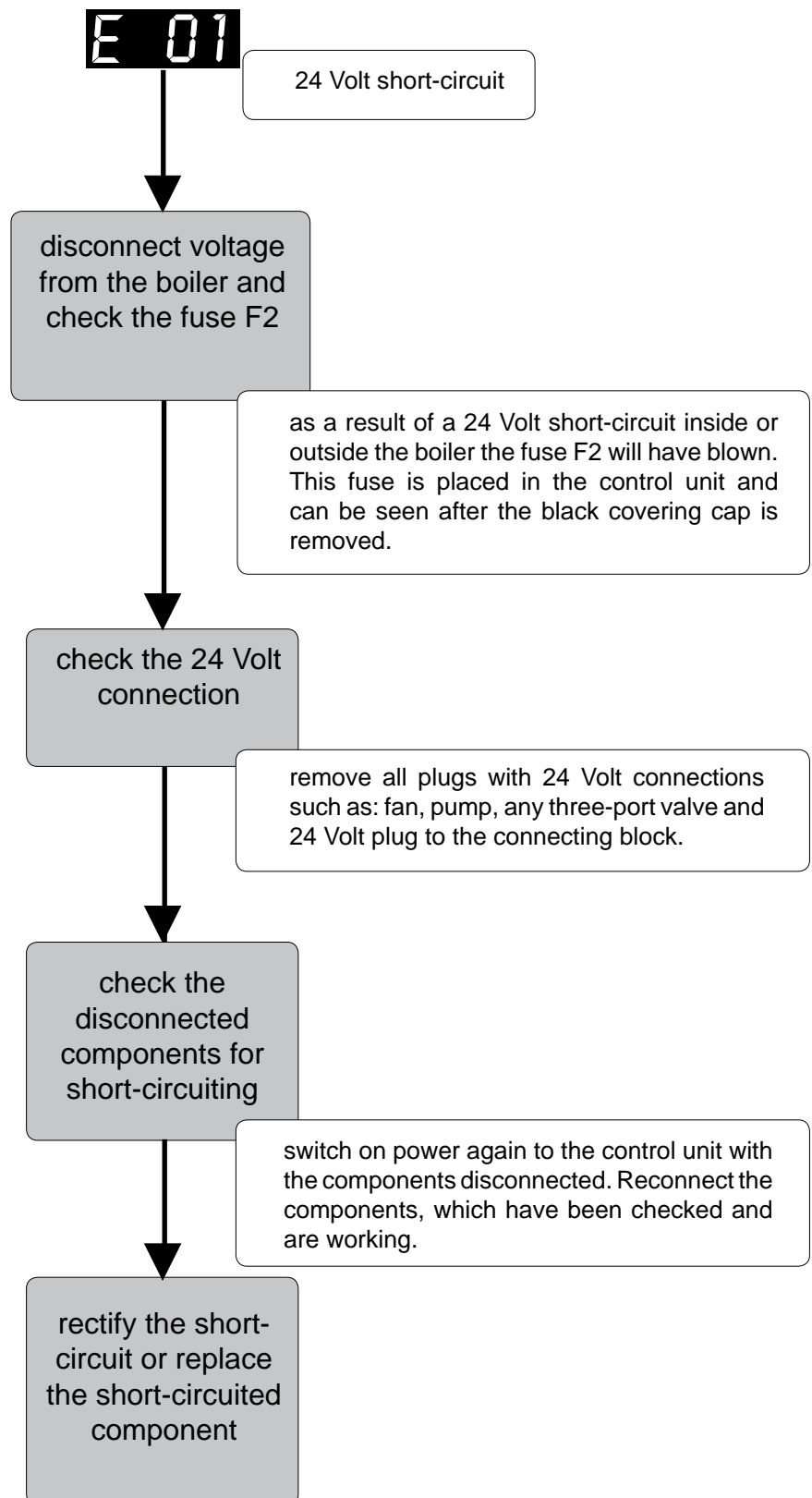
A detected error is indicated on the display by an Error message. Error messages are permanent locks which can only be removed by pressing the reset key. The controller will make every possible attempt to prevent the lock. Below is a summary of the Errors.

Error **E** with one figure on the last 2 characters.

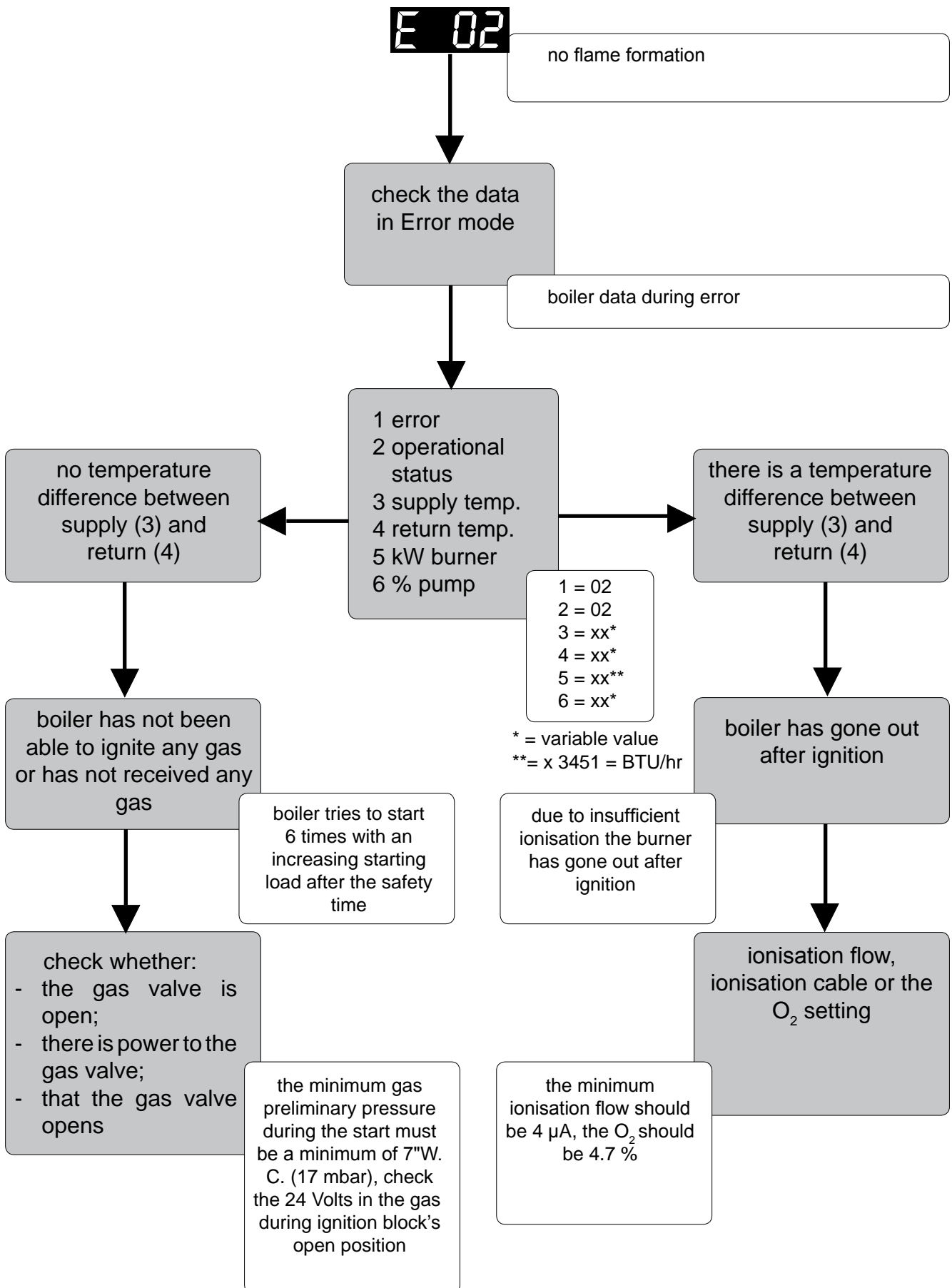
### 15.2.1 Error 00



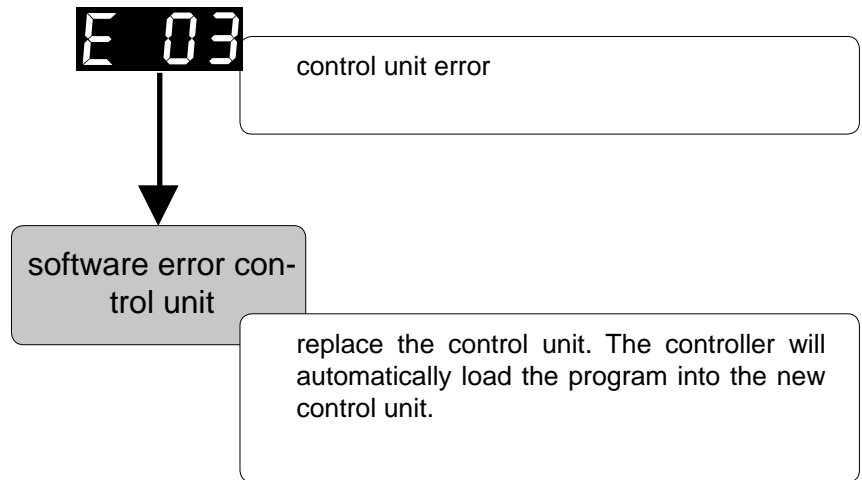




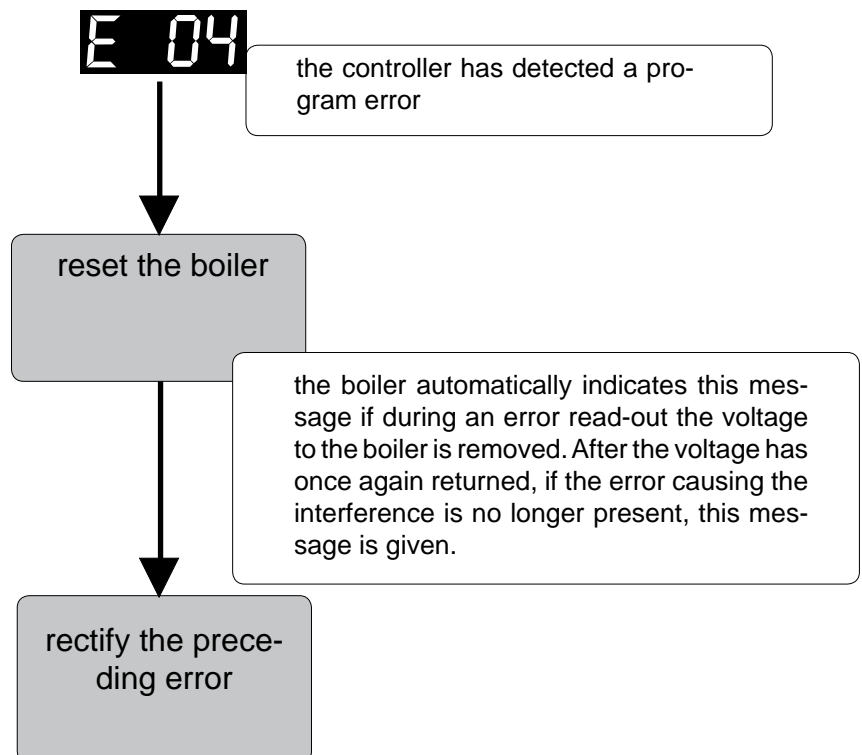
## 15.2.3 Error 02

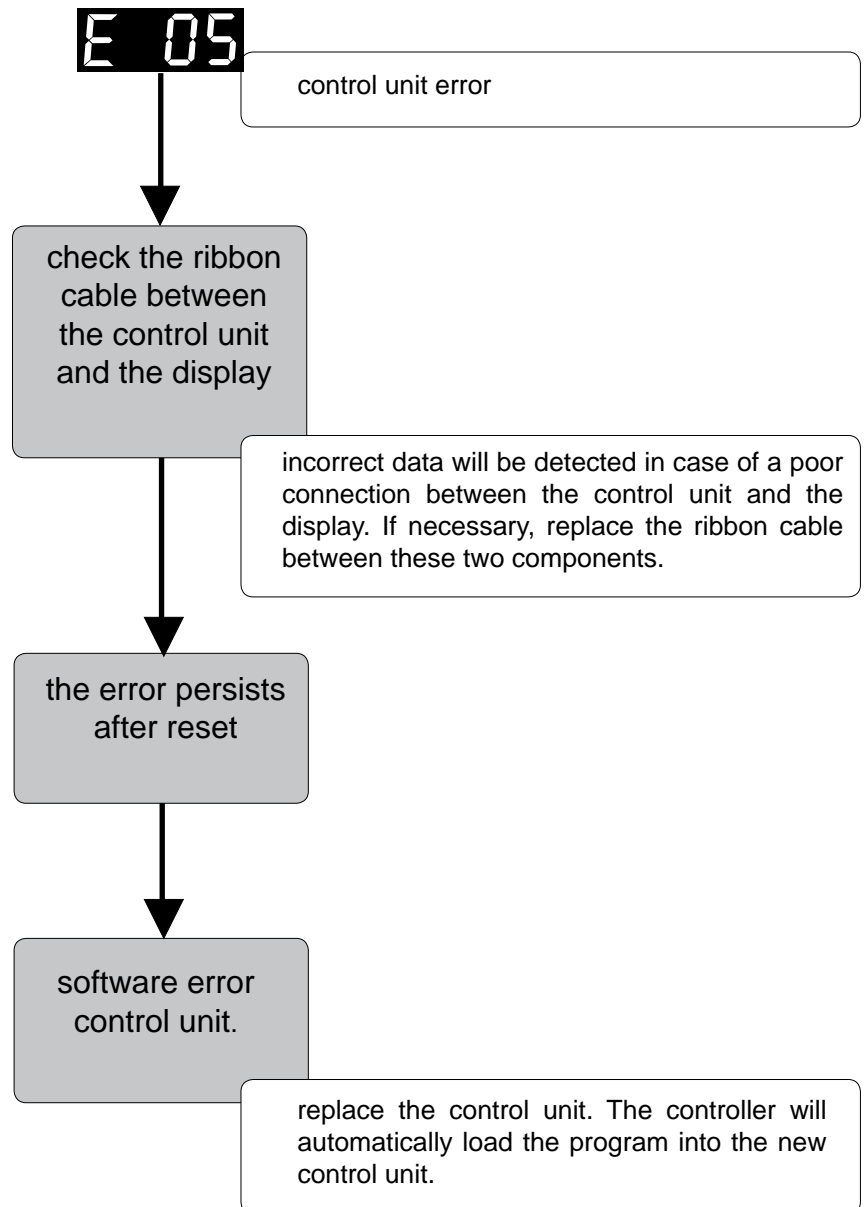


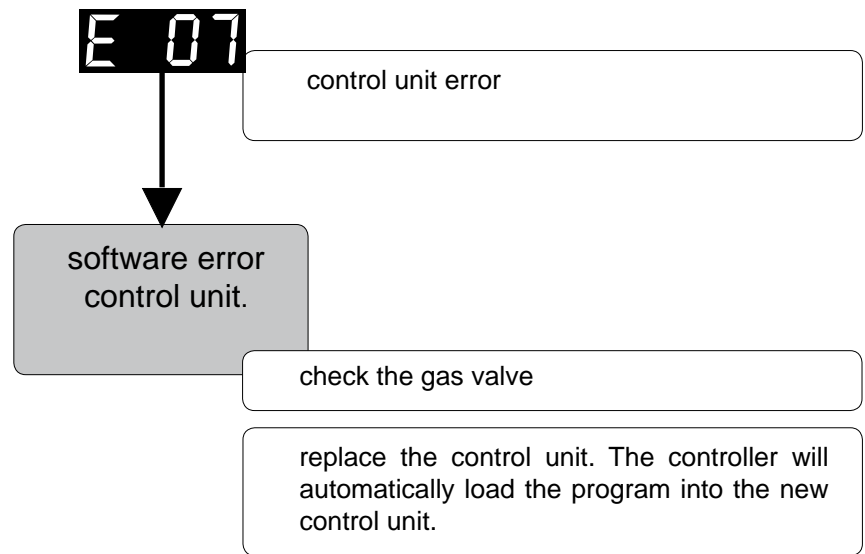
## 15.2.4 Error 03

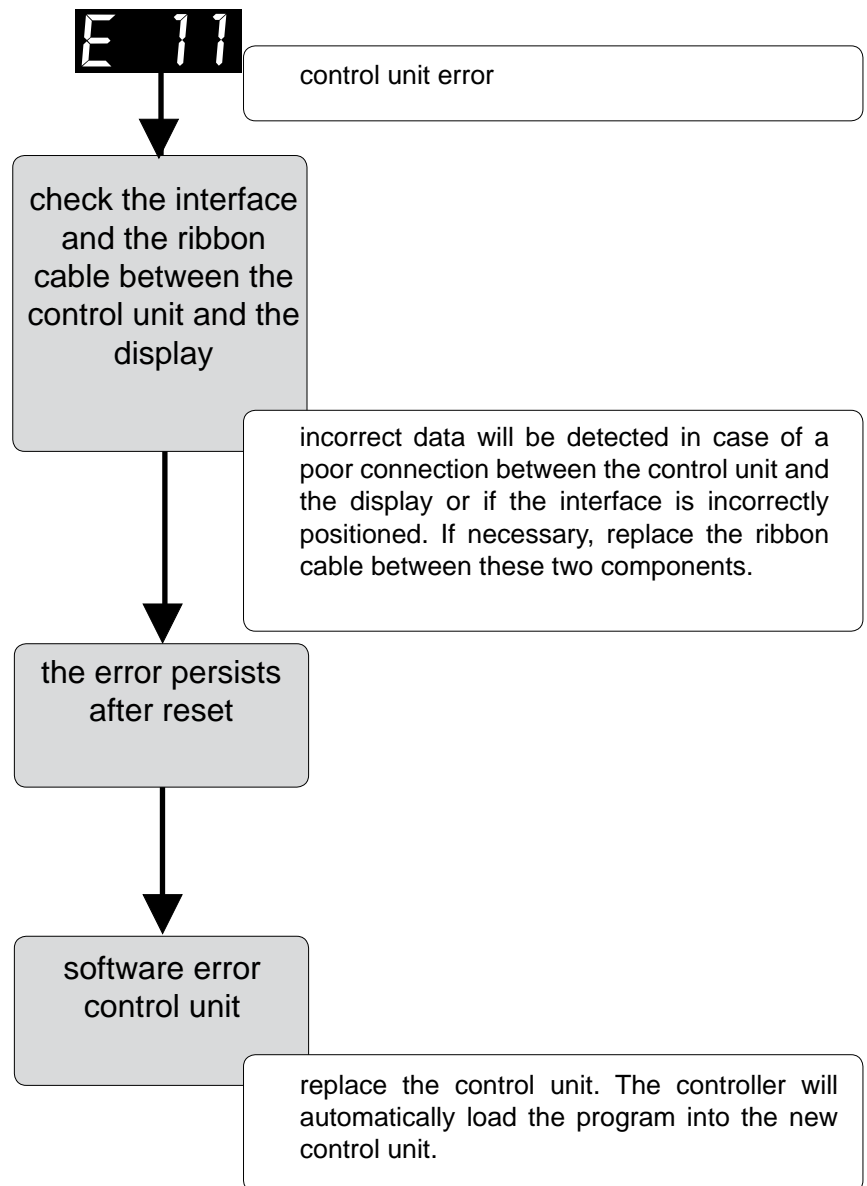


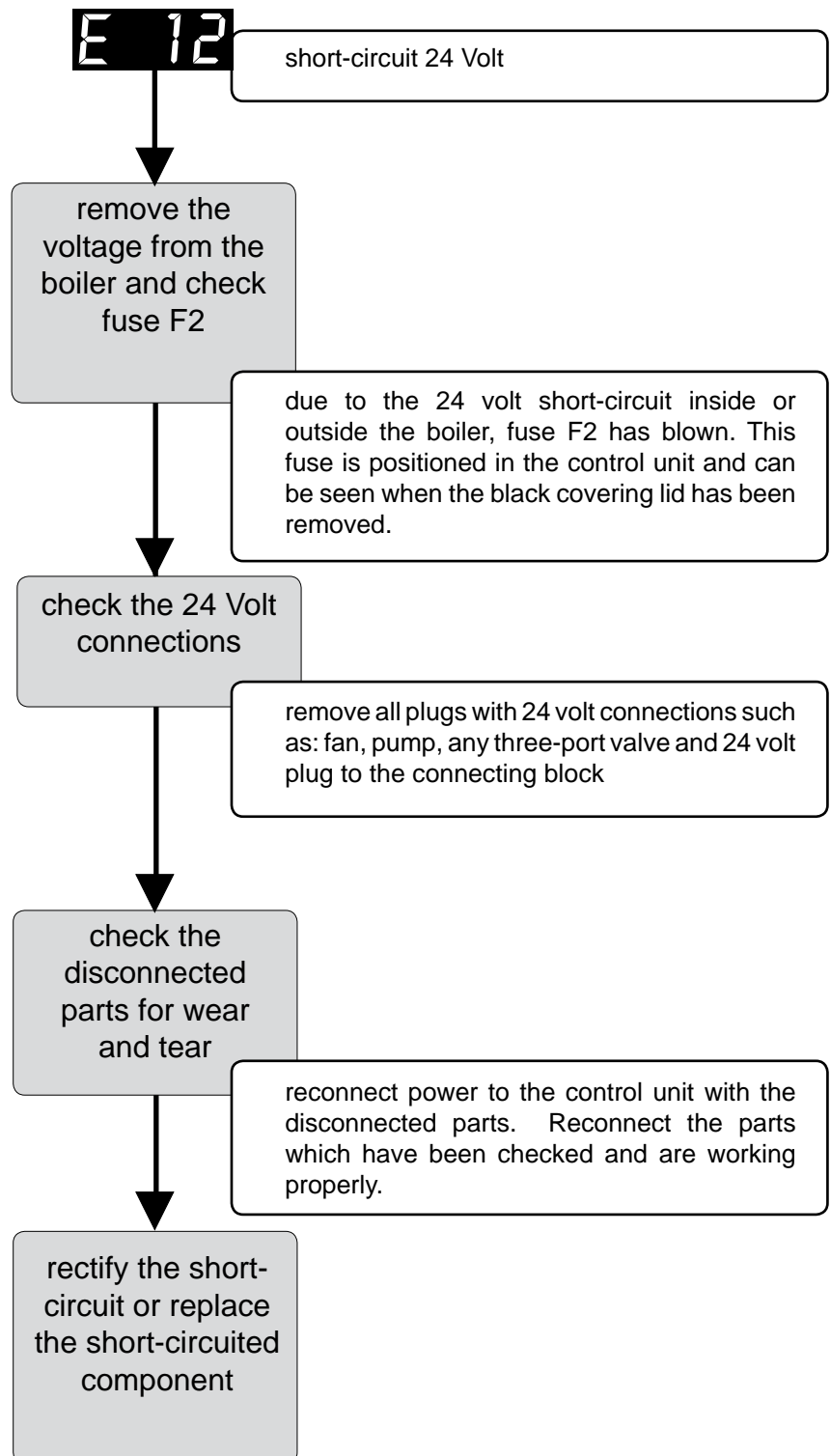
## 15.2.5 Error 04



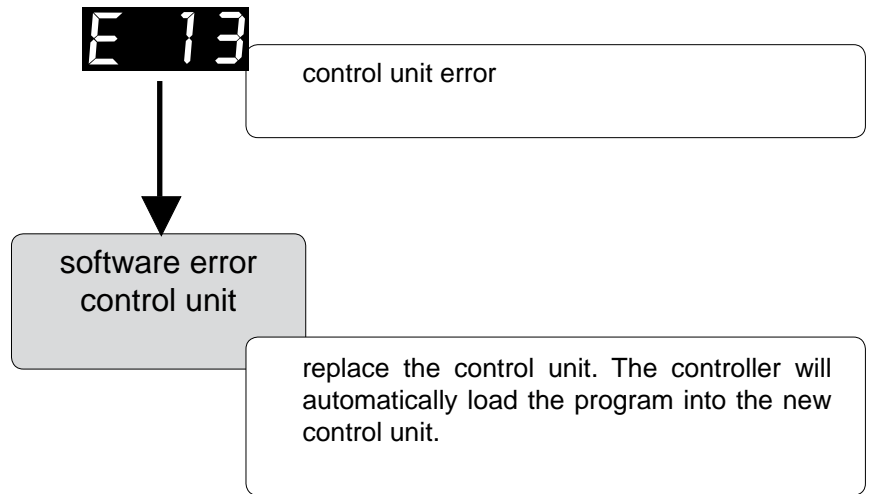








## 15.2.10 Error 13



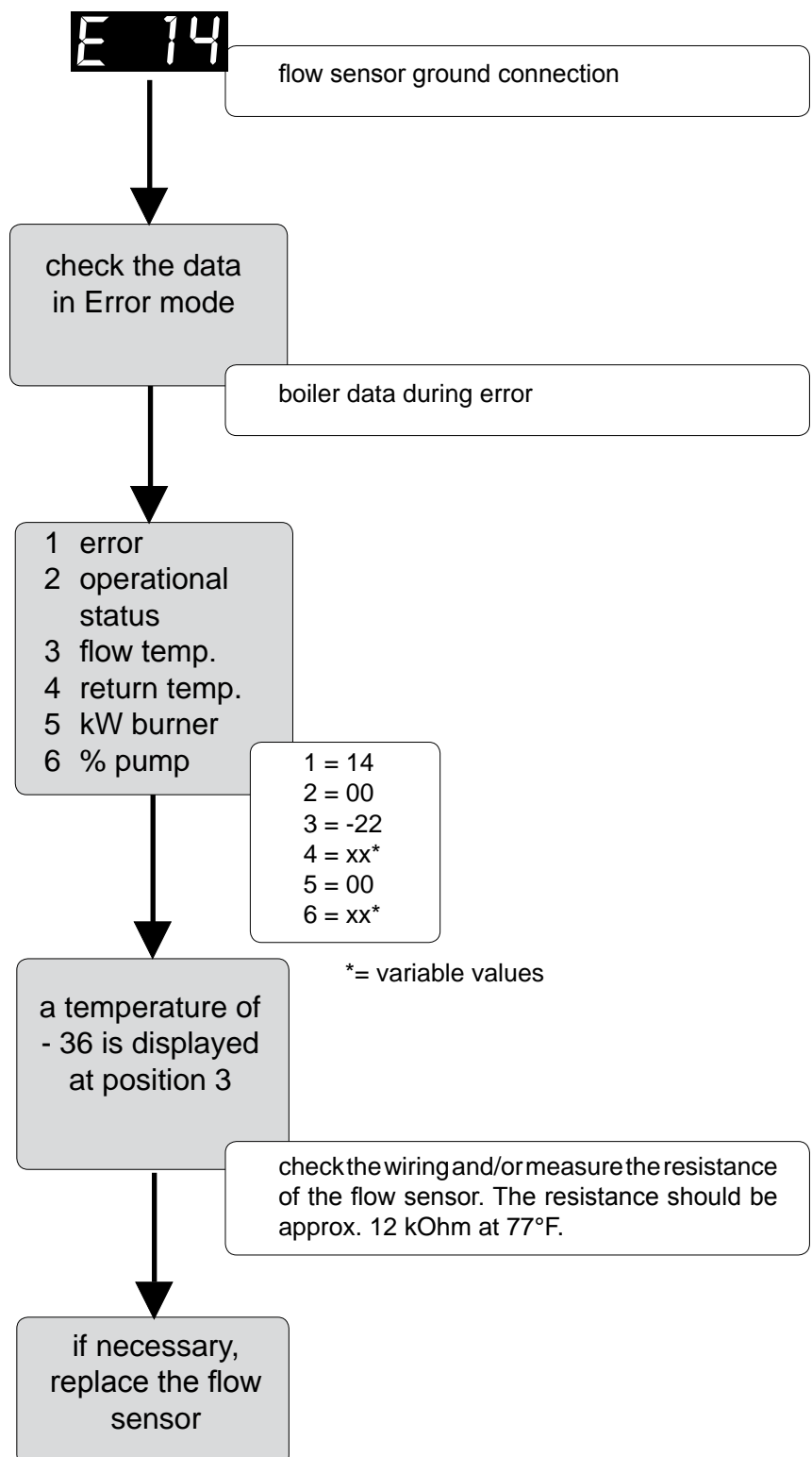


## 15.2.11 Error 14

Temp °F	NTC 12K (12kΩ/77°F)
	supply sensor T1
	return sensor T2
	DHW sensor T3
	outside sensor T4
	flue gas sensor T5

-4	98,000
-0.4	90,000
3.2	82,000
6.8	74,000
10.4	66,000
14	58,000
17.6	53,500
21.2	49,000
24.8	45,000
28.4	40,500
32	36,000
35.6	33,500
39.2	30,900
42.8	28,200
46.4	25,600
50	23,000
53.6	21,400
57.2	19,900
60.8	18,100
64.4	16,600
68	15,000
71.6	14,000
75.2	12,900
78.8	11,900
82.4	10,850
86	9,800
89.6	9,100
93.2	8,500
96.8	7,900
100.4	7,200
104	6,500
113	5,600
122	4,600
131	4,000
140	3,400
158	2,300
176	1,700
194	1,300
212	950

Resistance table NTC-Sensors



## 15.2.12 Error 18

Temp °F	NTC 12K (12kΩ/77°F)
	supply sensor T1
	return sensor T2
	DHW sensor T3
	outside sensor T4
	flue gas sensor T5

-4	98,000
-0.4	90,000
3.2	82,000
6.8	74,000
10.4	66,000
14	58,000
17.6	53,500
21.2	49,000
24.8	45,000
28.4	40,500
32	36,000
35.6	33,500
39.2	30,900
42.8	28,200
46.4	25,600
50	23,000
53.6	21,400
57.2	19,900
60.8	18,100
64.4	16,600
68	15,000
71.6	14,000
75.2	12,900
78.8	11,900
82.4	10,850
86	9,800
89.6	9,100
93.2	8,500
96.8	7,900
100.4	7,200
104	6,500
113	5,600
122	4,600
131	4,000
140	3,400
158	2,300
176	1,700
194	1,300
212	950

Resistance table NTC-Sensors

**E 18**

Signal maximum flow water temperature exceeded ( $T_1 > 212^\circ\text{F}$ ).

check actual flow temperature

suddenly increase caused by completely hydraulic shut off of the boiler (filter, pump, thermostat valve, service valve)

check flow sensor NTC1

measure the resistance value (see table)

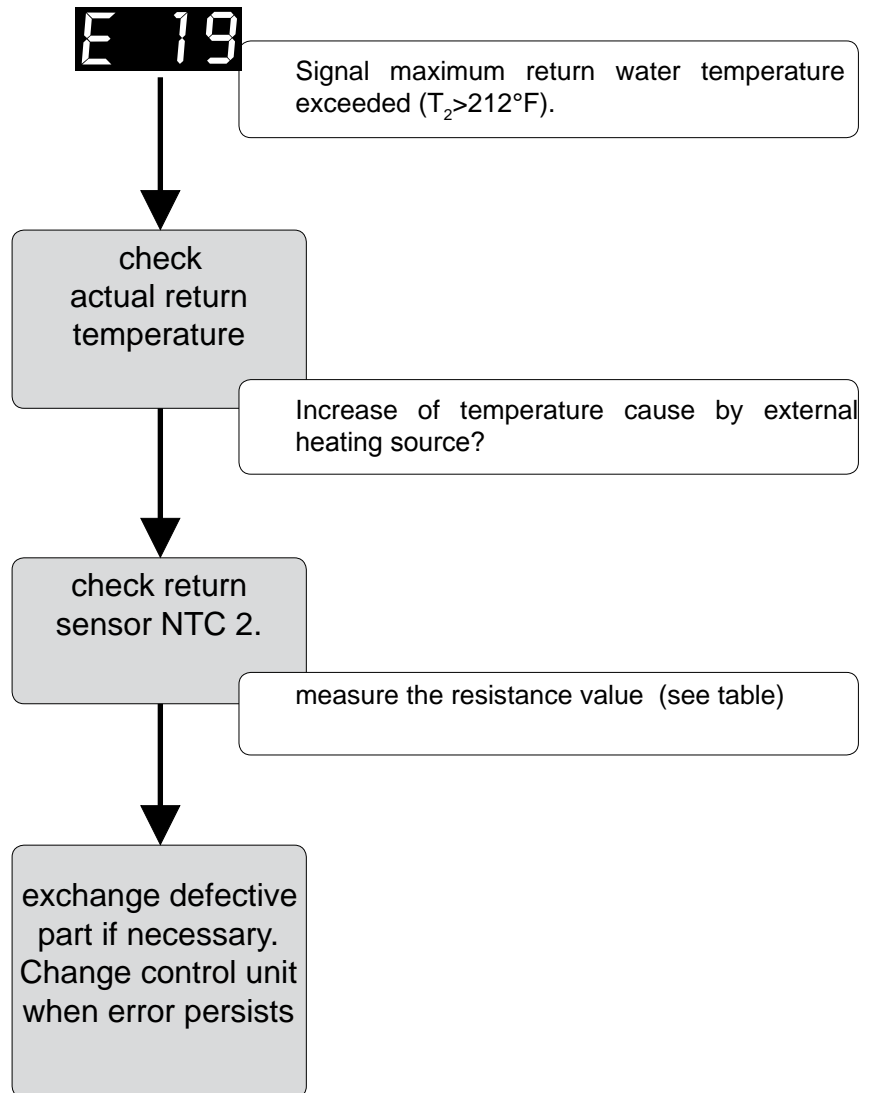
exchange defective part if necessary.  
Change control unit when error persists

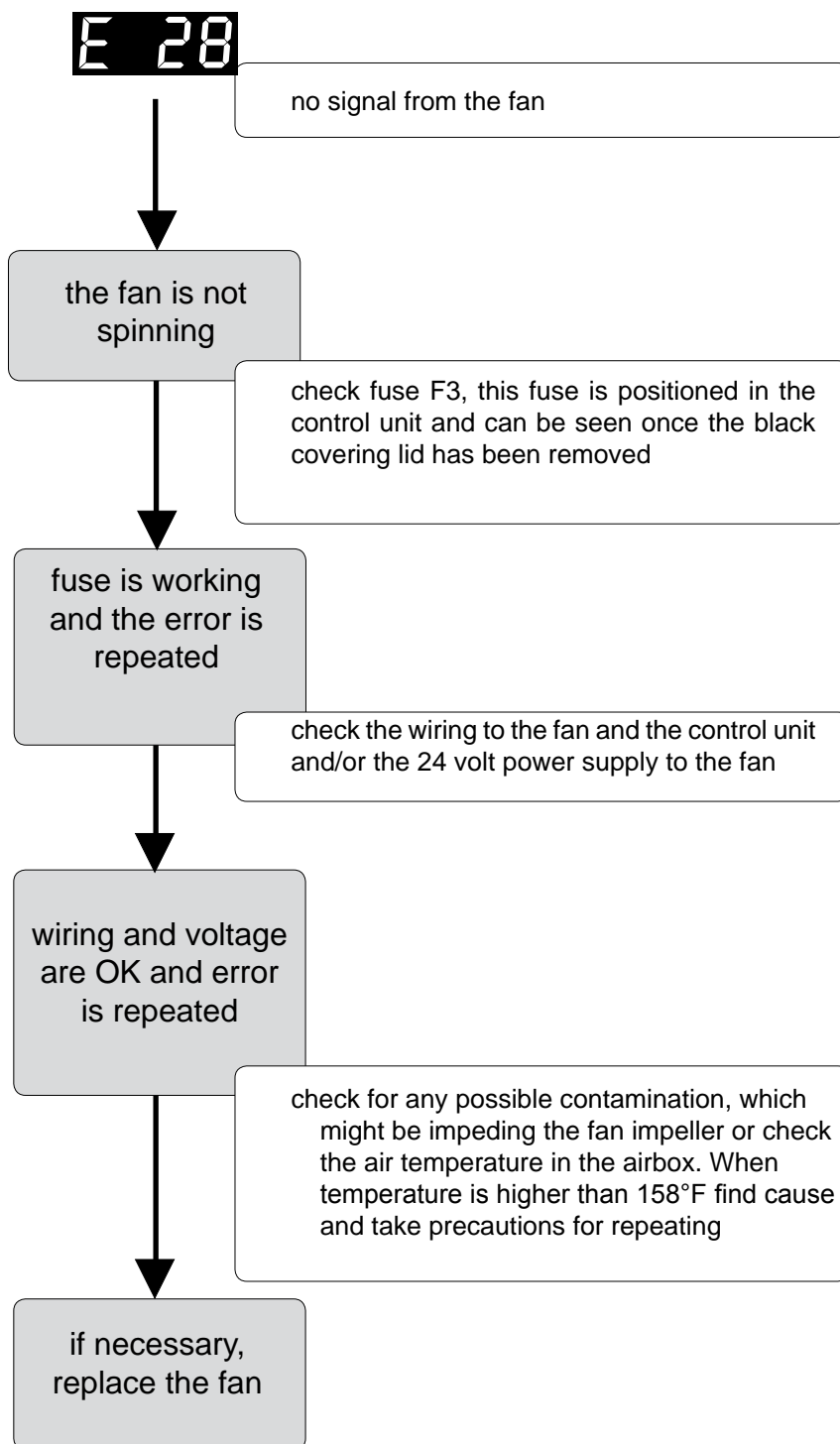
## 15.2.13 Error 19

Temp °F	NTC 12K (12kΩ/77°F)
	supply sensor T1
	return sensor T2
	DHW sensor T3
	outside sensor T4
	flue gas sensor T5

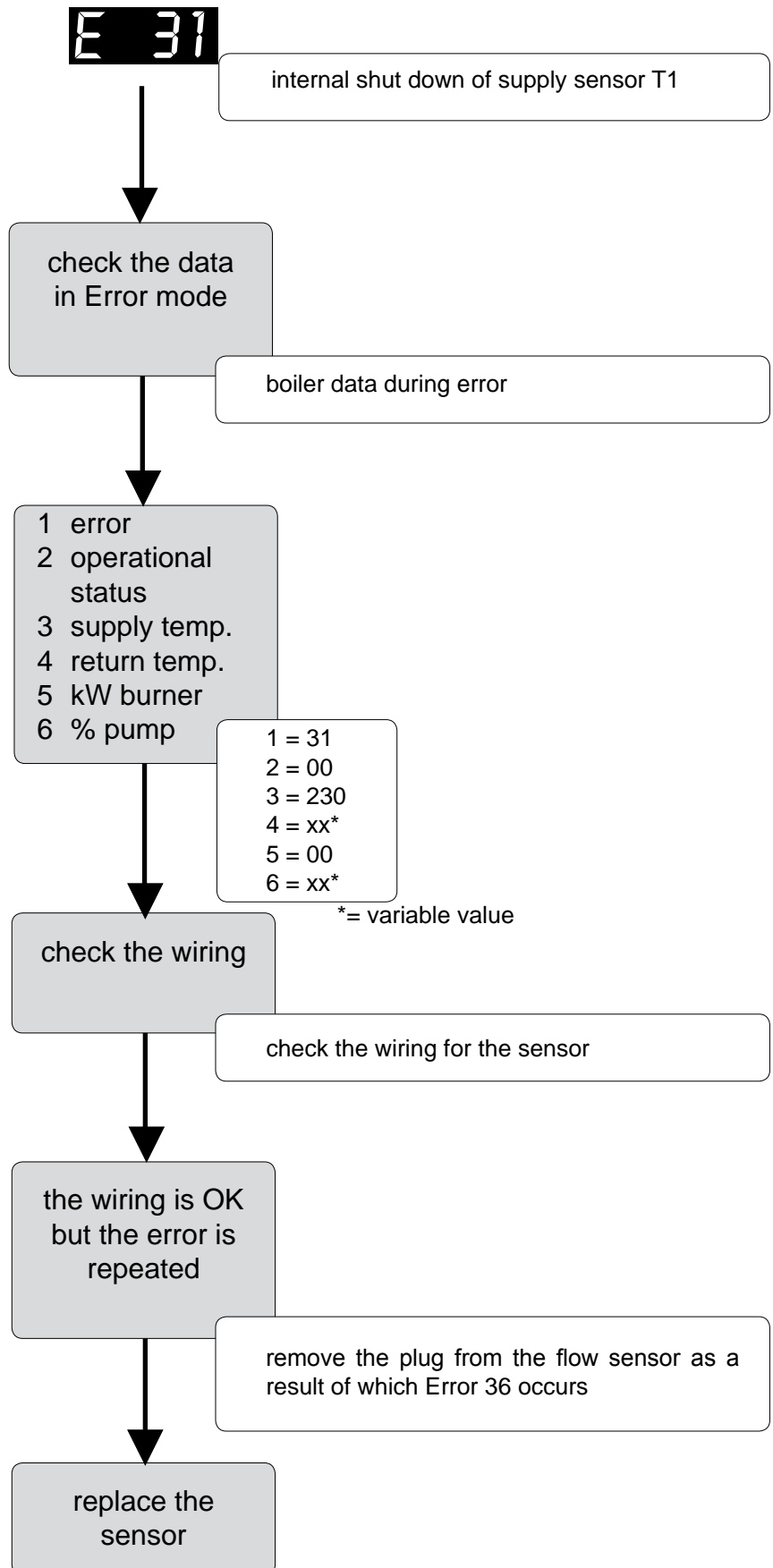
-4	98,000
-0.4	90,000
3.2	82,000
6.8	74,000
10.4	66,000
14	58,000
17.6	53,500
21.2	49,000
24.8	45,000
28.4	40,500
32	36,000
35.6	33,500
39.2	30,900
42.8	28,200
46.4	25,600
50	23,000
53.6	21,400
57.2	19,900
60.8	18,100
64.4	16,600
68	15,000
71.6	14,000
75.2	12,900
78.8	11,900
82.4	10,850
86	9,800
89.6	9,100
93.2	8,500
96.8	7,900
100.4	7,200
104	6,500
113	5,600
122	4,600
131	4,000
140	3,400
158	2,300
176	1,700
194	1,300
212	950

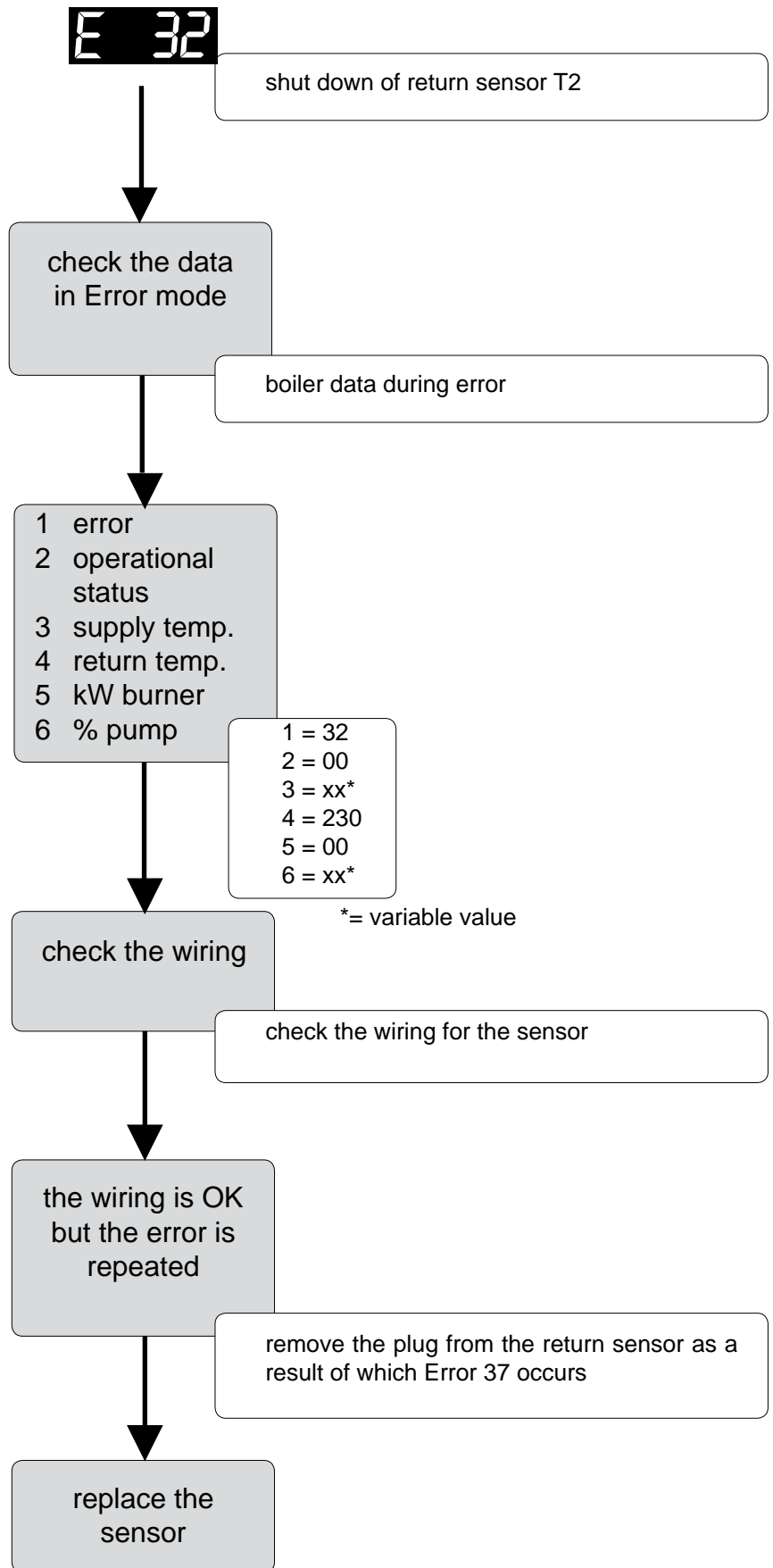
Resistance table NTC-Sensors

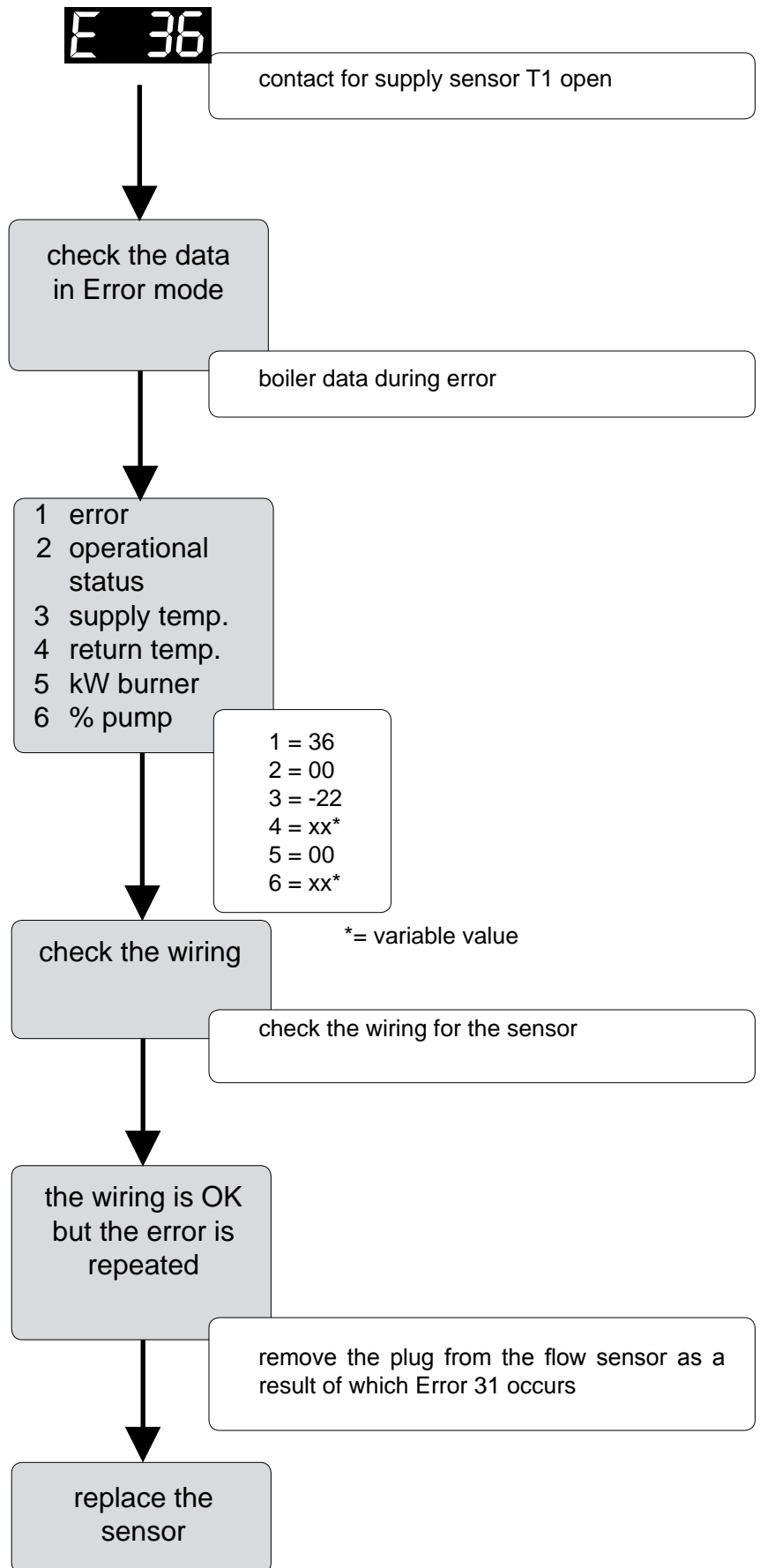


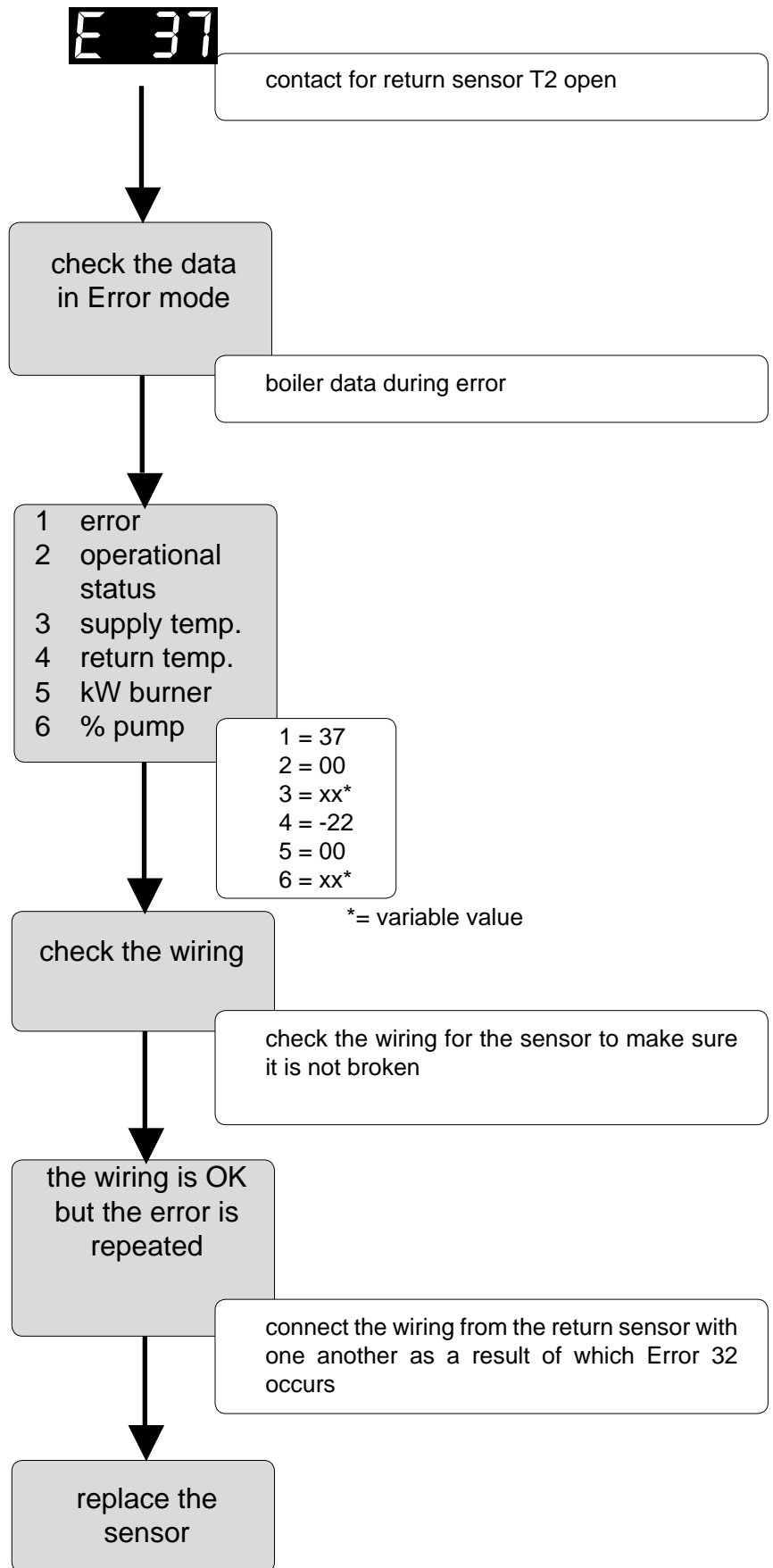


## 15.2.15 Error 31



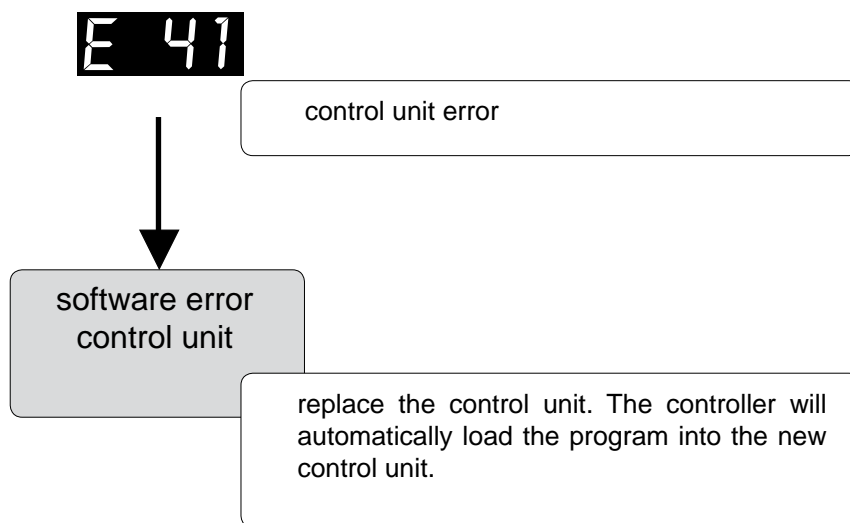




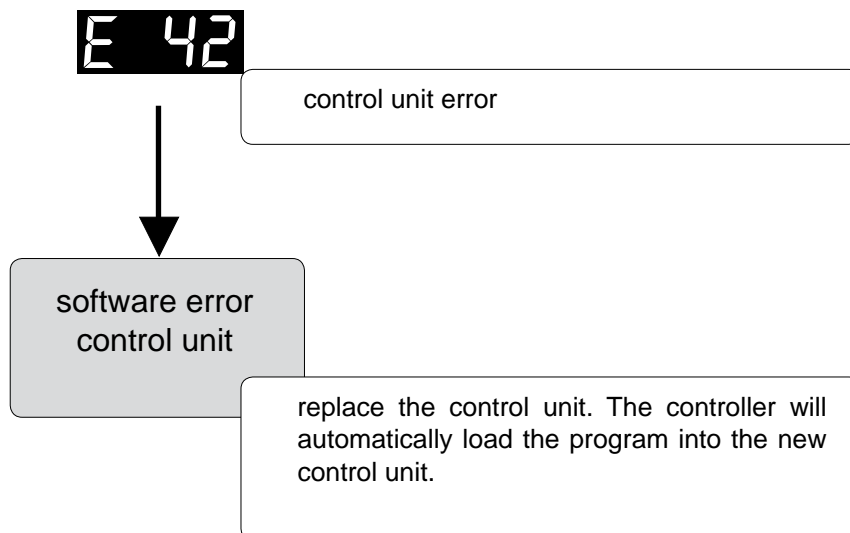




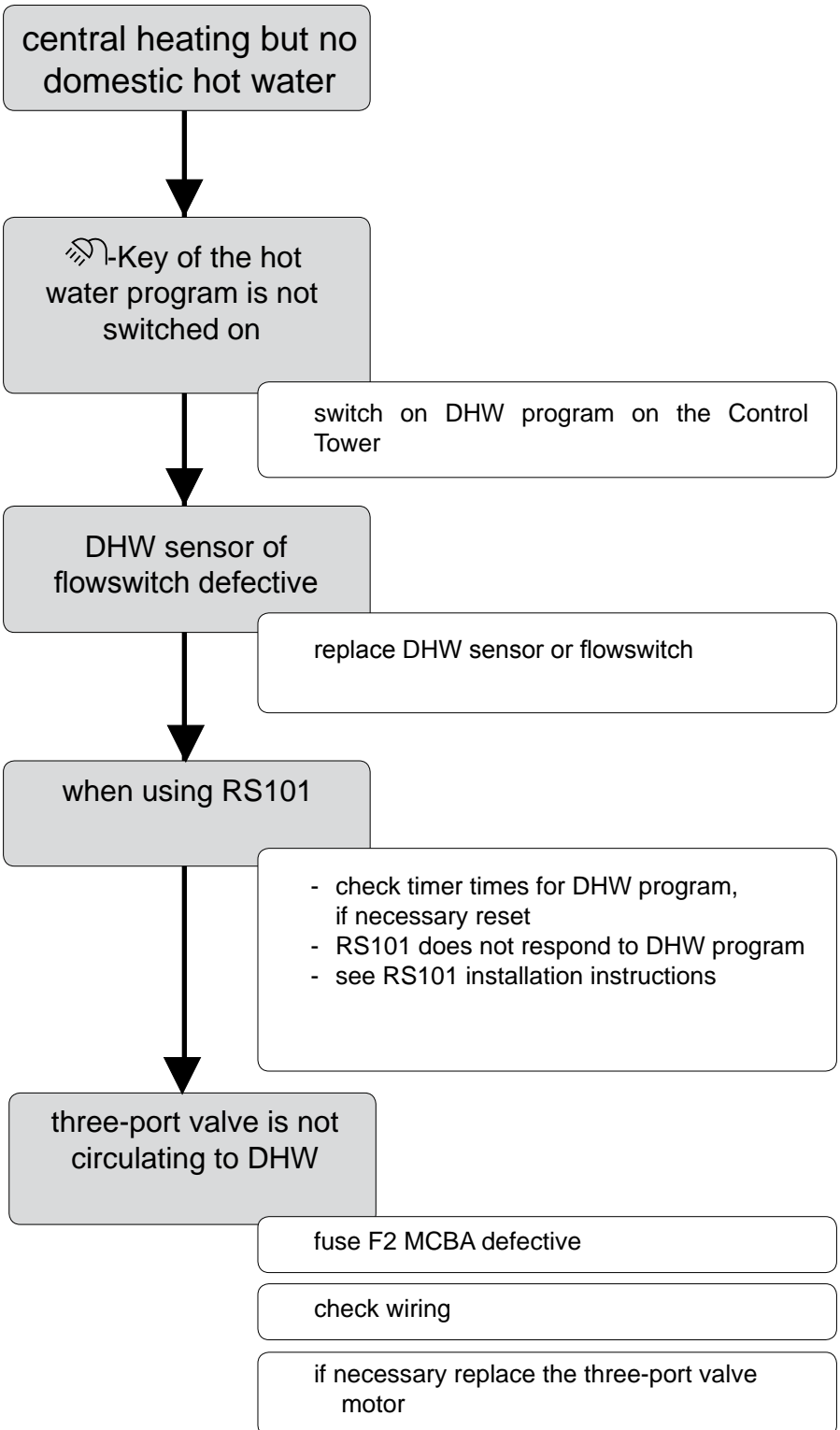
## 15.2.19 Error 41



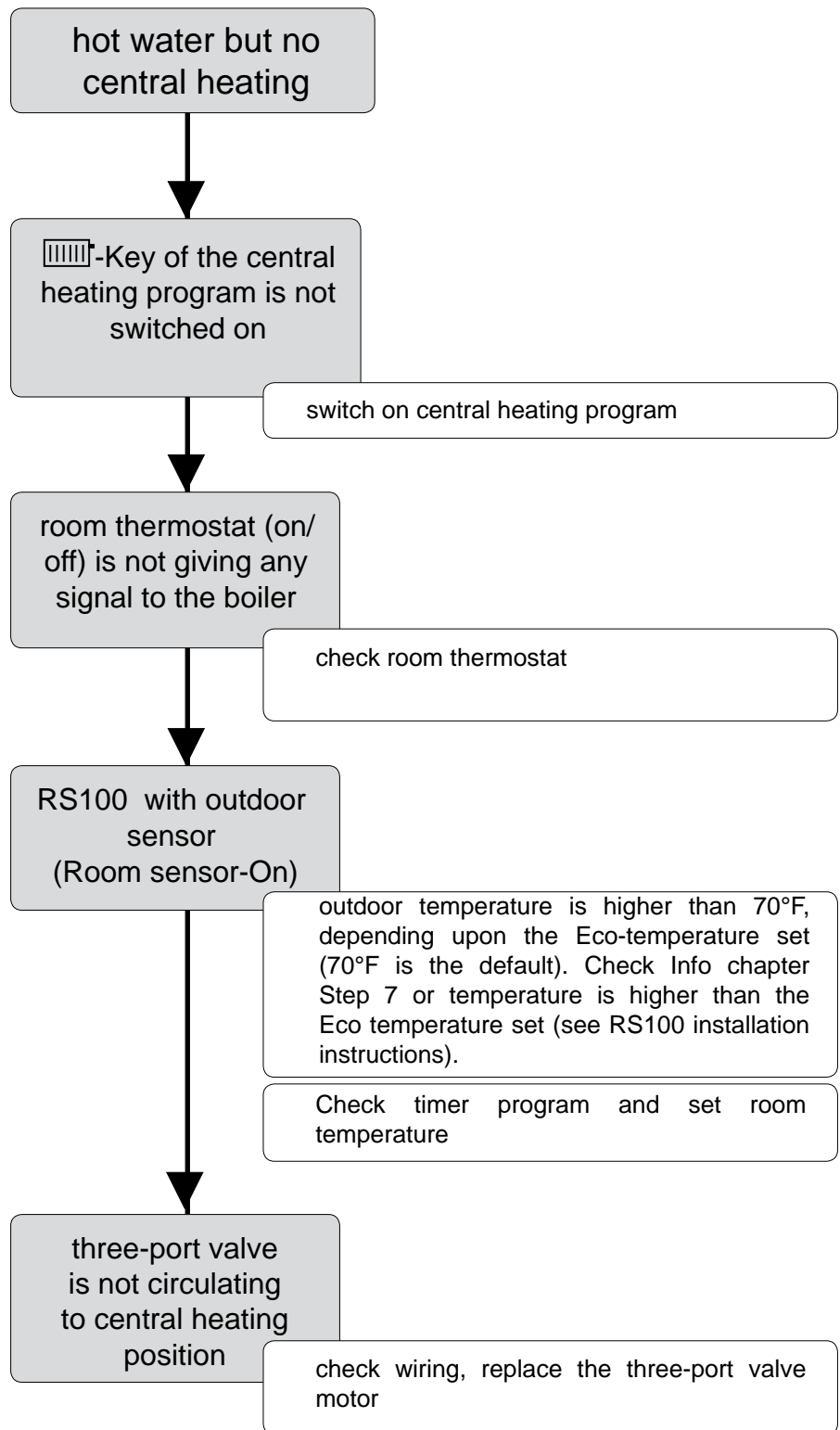
## 15.2.20 Error 42



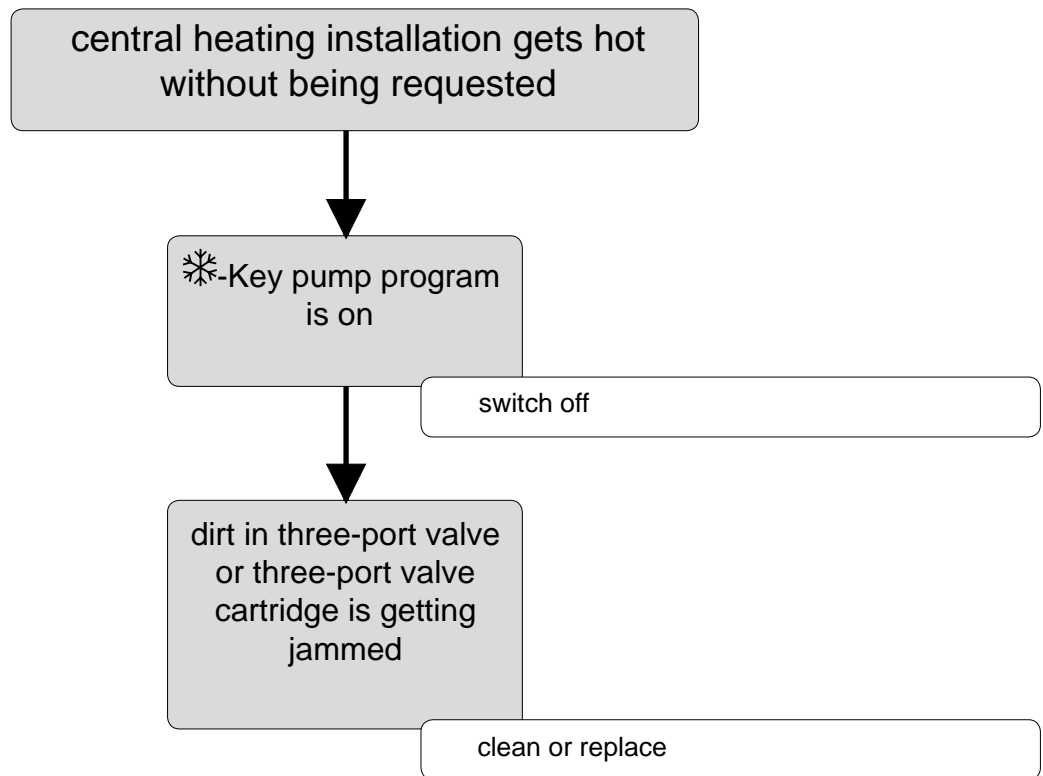
16.1 Central heating but no hot water



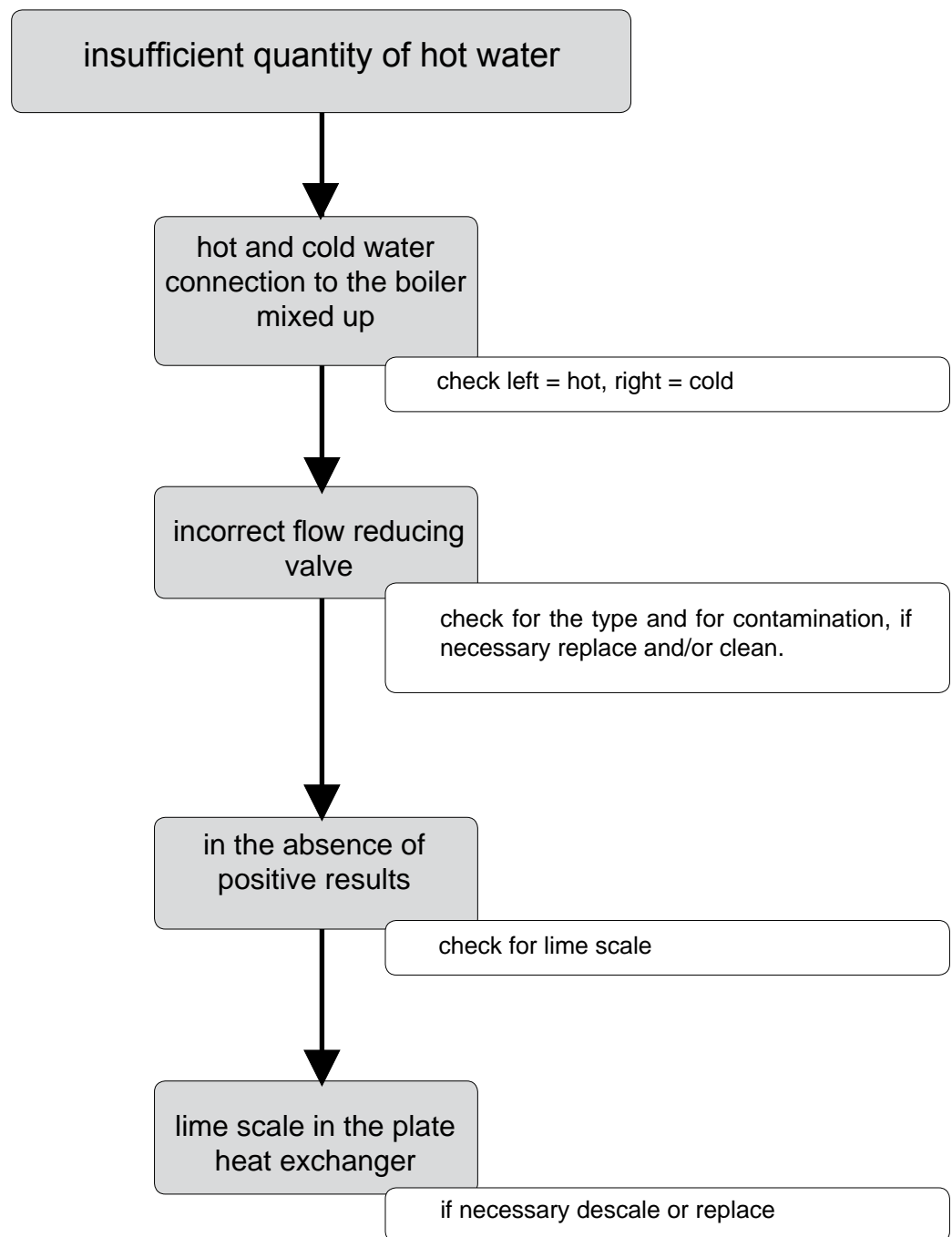
## 16.2 Hot water but no central heating



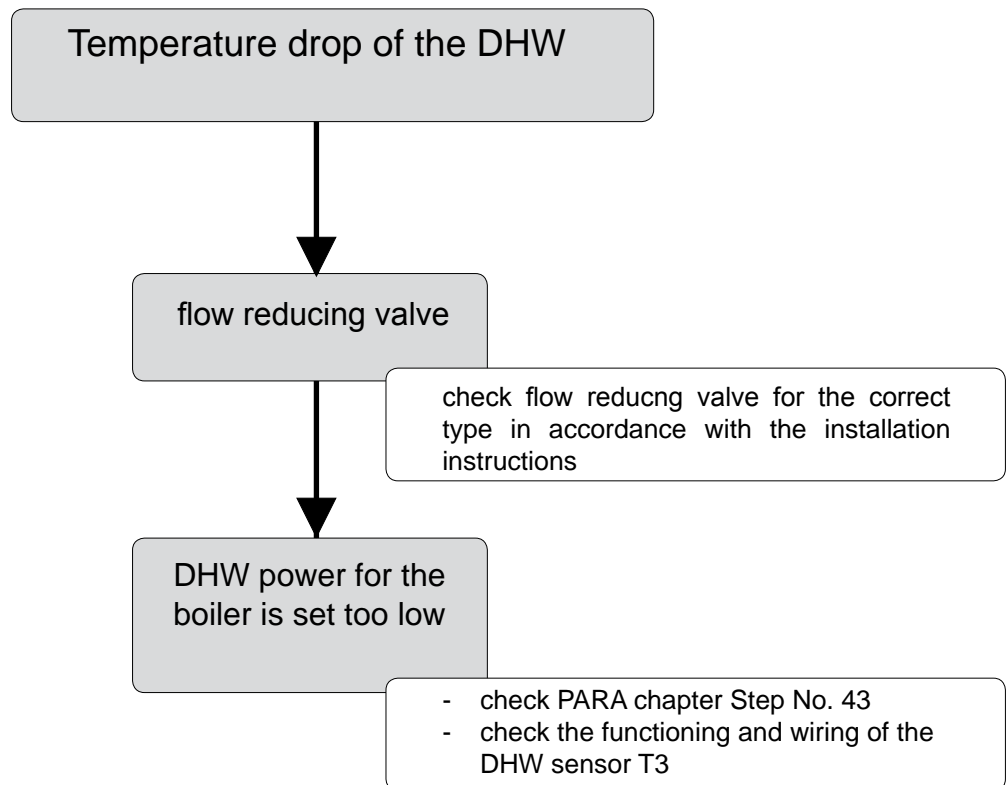
## 16.3 Central heating installation gets hot without being requested



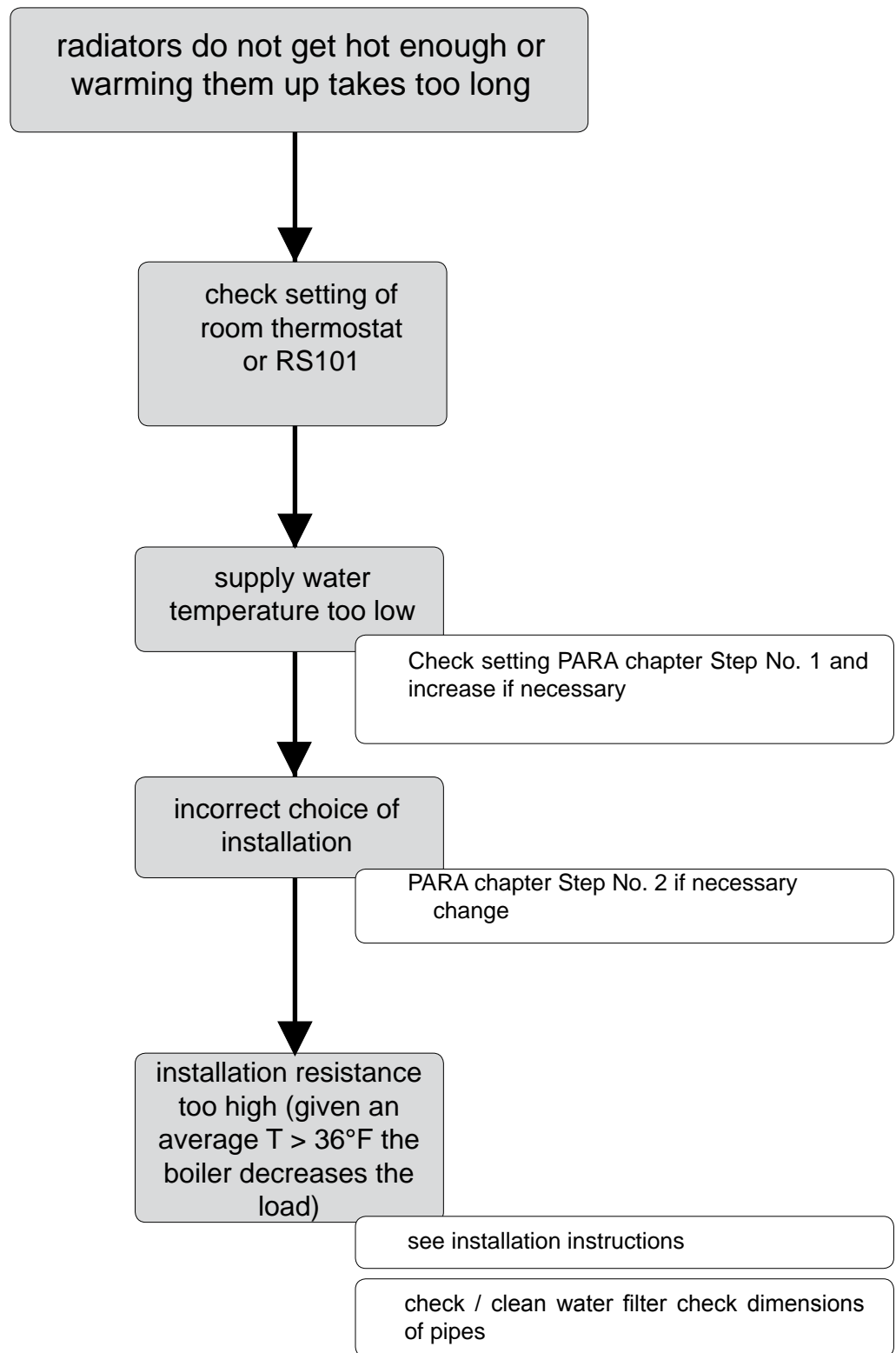
## 16.4 Insufficient quantity of hot water



## 16.5 Temperature drop of the DHW

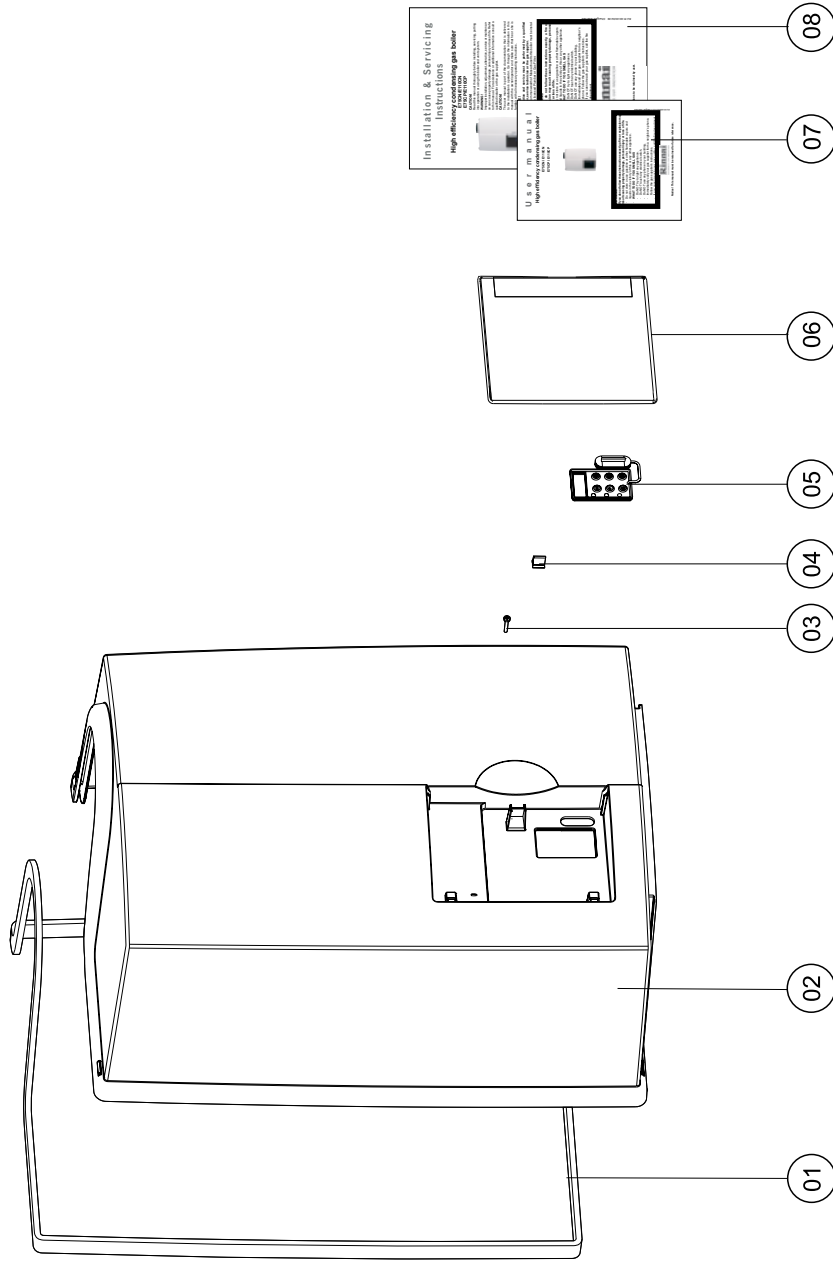


## 16.6 Radiators do not get hot enough or warming up takes too long



Parts casing E-Series

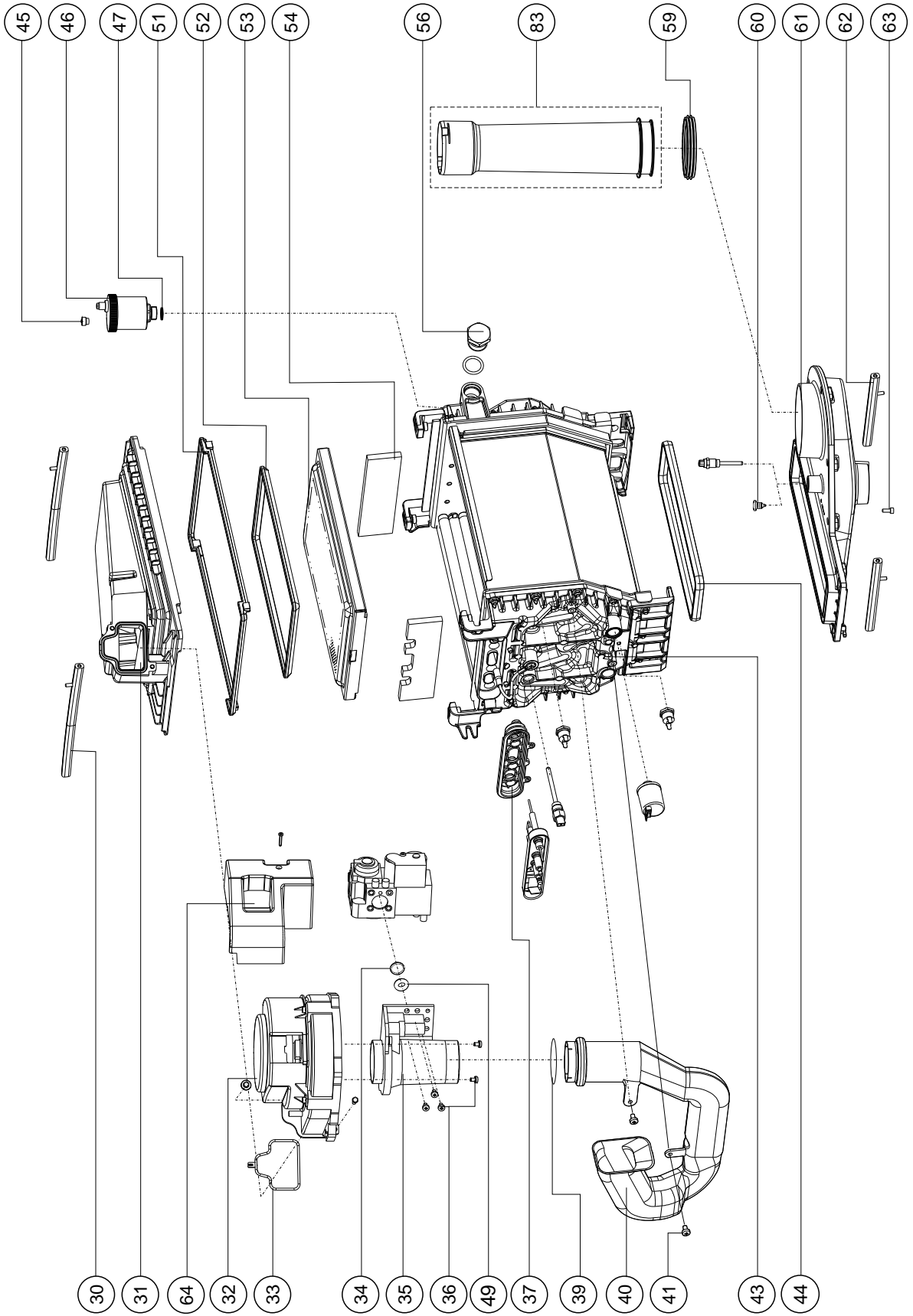
17 Spare parts





Item	Description	Part No.	E75C		E110C	
			N	P	N	P
			OSS1		OSS2	
1	GASKET CASING E	809000073	X	X	X	X
2	CASING SET	809000074	X	X	X	X
4	SPRING DOOR CASING	809000075	X	X	X	X
5	GASKET CONTROLS	809000076	X	X	X	X
6	DOOR CASING E	809000077	X	X	X	X
7	USER MANUAL E-SERIES	800000012	X	X	X	X
8	INSTALLATION MANUAL E-SERIES	800000013	X	X	X	X

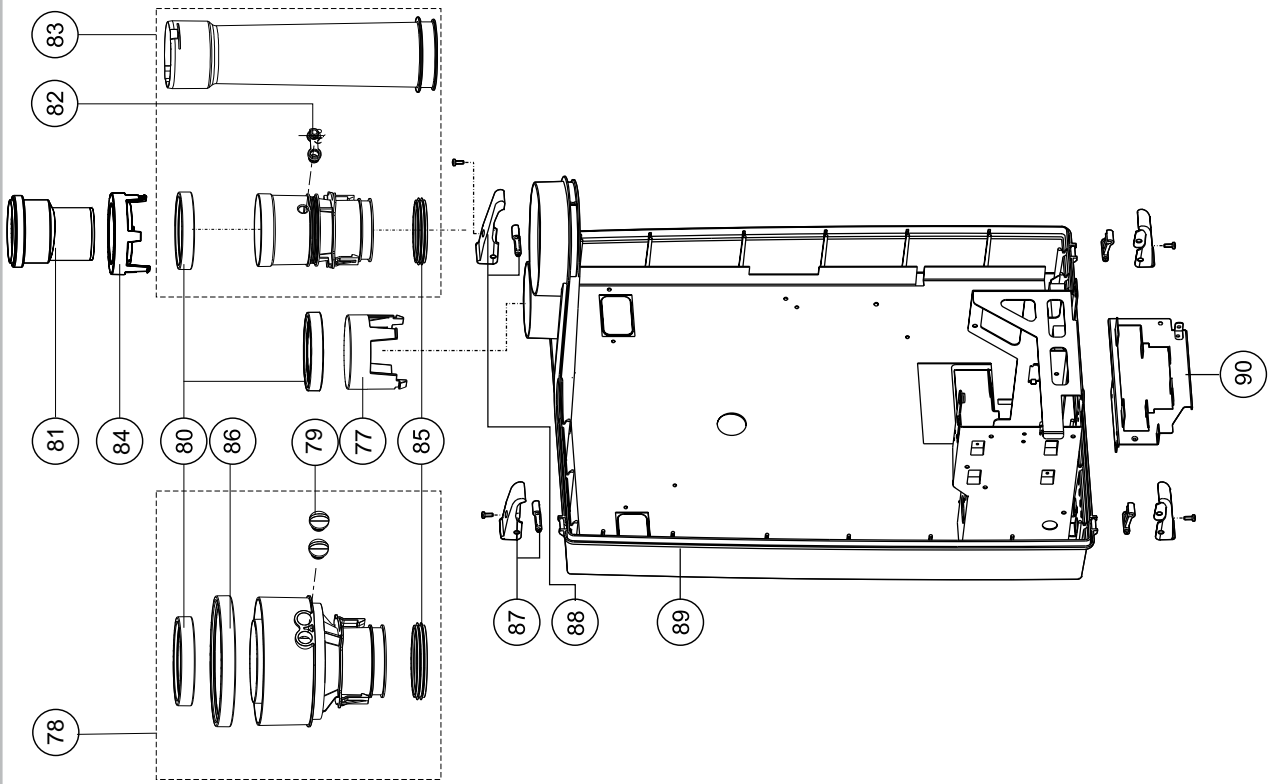
**Parts heat exchanger E-Series**



Item	Description	Part No.	E75C		E110C	
			N	P	N	P
			OSS1		OSS2	
30	CLAMP BAR TOP PART H.EX. LONG	809000014	X	X	X	X
31	TOP PART HEAT EXCH. SET OSS1	807000010	X	X		
31	TOP PART HEAT EXCH. SET OSS2	807000011			X	X
32	BOLT M 5X16 5x	809000015	X	X	X	X
33	GASKET FAN/TOP PART H.EX.	809000016	X	X	X	X
34	GASKET GAS VALVE - VENTURI	809000017	X	X	X	X
	GASKET VENTURI - FAN	809000018	X	X	X	X
35	VENTURI OSS1	807000013	X	X		
35	VENTURI OSS2	807000014			X	X
36	BOLT M5X12GR FASE ZSDIN7985	809000019	X	X	X	X
37	GASKET IONISATION/IGNITION OSS	809000020	X	X	X	X
39	GASKET SILENCER-VENTURI	809000021	X	X	X	X
40	DAMPER OSS1	807000016	X	X		
40	DAMPER OSS2	807000017			X	X
41	SCREW TAPTITE M5X8 CK-PD 3X	809000022	X	X	X	X
43	HEAT EXCHANGER OSS1 ASME	807000019	X	X		
43	HEAT EXCHANGER OSS2 ASME	807000020			X	X
	BULLET HEAD SCREW DRIVER	809000023	X	X	X	X
44	GASKET CONDENSATE TRAY OSS1	809000025	X	X		
44	GASKET CONDENSATE TRAY OSS2	809000026			X	X
45	CAP DE-AERATOR SHR 3x	807000023	X	X	X	X
46	DE-AERATOR CHROME	807000024	X	X	X	X
47	O-RING ø13,94X2,62 DE-AER. 2x	809000028	X	X	X	X
48	BOLT M 3X30 VERZ.DIN84/4.8 3X	809000029	X	X	X	X
49	RESTRICTION PROPANE GAS 75				X	
49	RESTRICTION PROPANE GAS 110					X

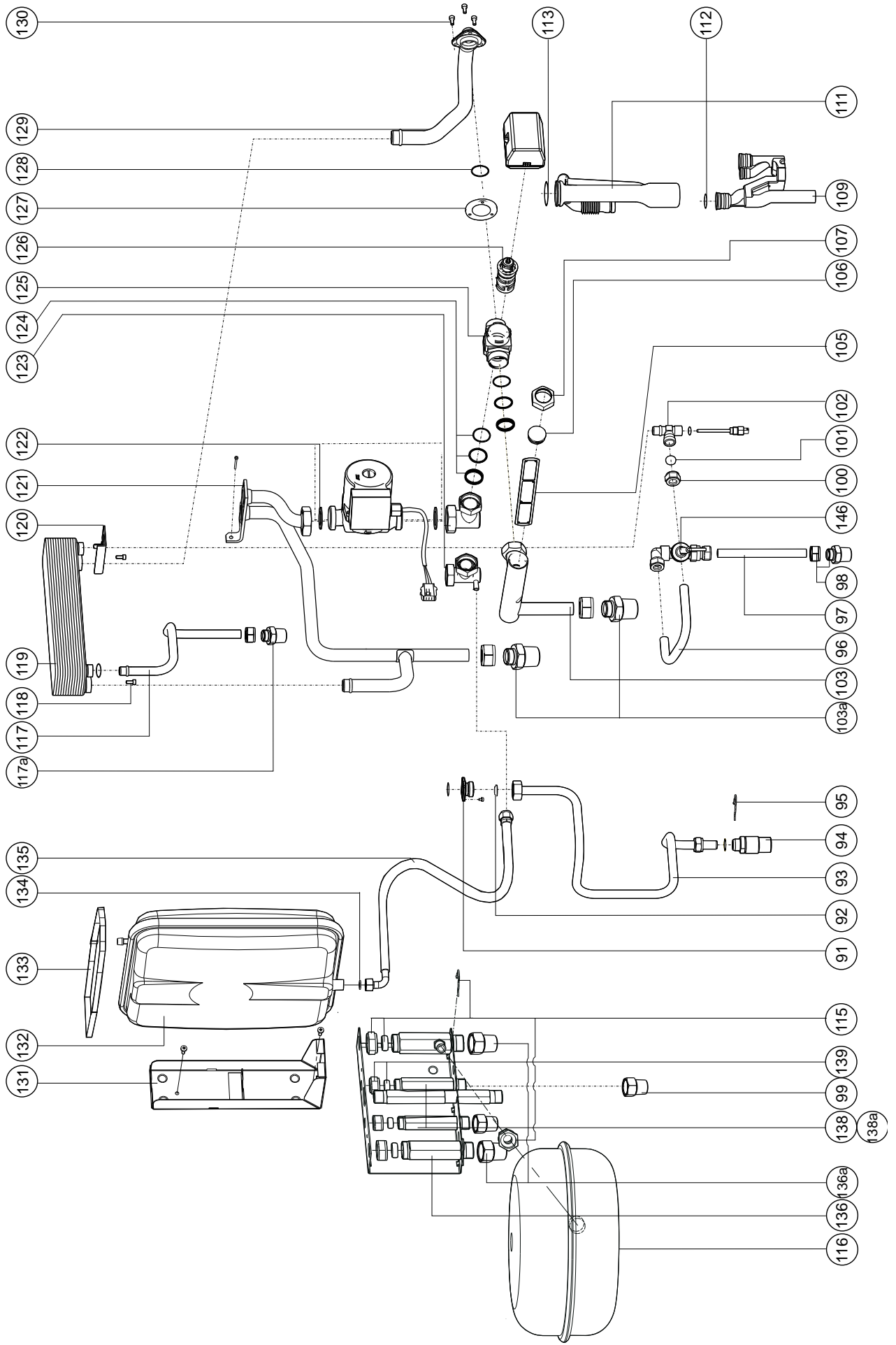
Item	Description	Part No.	E75C		E110C	
			N	P	N	P
			OSS1		OSS2	
51	GASKET H.E./TOP PART OSS1	809000030	X	X		
51	GASKET H.E./TOP PART OSS2	809000031			X	X
52	GASKET BURNER/TOP PART OSS1	809000033	X	X		
52	GASKET BURNER/TOP PART OSS2	809000034			X	X
53	BURNER CASSETTE SET OSS1	806000010	X	X		
53	BURNER CASSETTE SET OSS2	806000011			X	X
54	SET INSULATION PIPE PLATE L+R	809000036	X	X	X	X
55	SUPP. CLAMP BAR TOP PART H.EX	809000037	X	X	X	X
56	PLUG		X	X	X	X
59	LIP-RING ø63 AMGAS	809000038	X	X		
59	LIP-RING ø80 AMGAS	809000039			X	X
60	PLUG FLUE GAS SENSOR	809000040	X	X	X	X
61	CONDENSATE TRAY OSS1	809000041	X	X		
61	CONDENSATE TRAY OSS2	809000042			X	X
62	CLAMP BAR COND.TRAY	809000044	X	X	X	X
63	BOLT M 5X12 IMBUS VERZ. 3X	809000045	X	X	X	X
64	COVER GAS VALVE	809000046	X	X	X	X
77	COVER AIR SUPPLY ø80mm		X	X	X	X
78	CONCENTRIC FLUE ADAPTOR		X	X	X	X
79	PLUG CONC. FLUE ADPATOR		X	X	X	X

**Parts rear wall E-Series**



Item	Description	Part No.	E75C		E110C	
			N	P	N	P
			OSS1		OSS2	
80	GASKET AIR INTAKE ø80 SHR	809000047	X	X	X	X
81	FLUE ADAPTER 80mm x 3"	808000022	X	X	X	X
82	FEED THROUGH + PLUG FLUE GAS		X	X	X	X
83	FLUE GAS SYSTEM PP SET OSS1	808000010	X	X		
83	FLUE GAS SYSTEM PP SET OSS2	808000011			X	X
84	COVER AIR SUPPLY ø125mm		X	X	X	X
85	GASKET FLUE GAS PIPE PP	809000048	X	X	X	X
86	GASKET AIR SUPPLY ø125mm	809000049	X	X	X	X
87	QUICK RELEASE SMALL E	809000078	X	X	X	X
88	QUICK RELEASE LARGE E	809000079	X	X	X	X
89	BACK PART CASING		X	X	X	X
	BASE PLATE CASING		X	X	X	X
	MOUNTING BRACKET OSS1/2	809000065	X	X	X	X
90	BRACKET CONNECTION TERMINAL		X	X	X	X

### Parts pipes E-Series



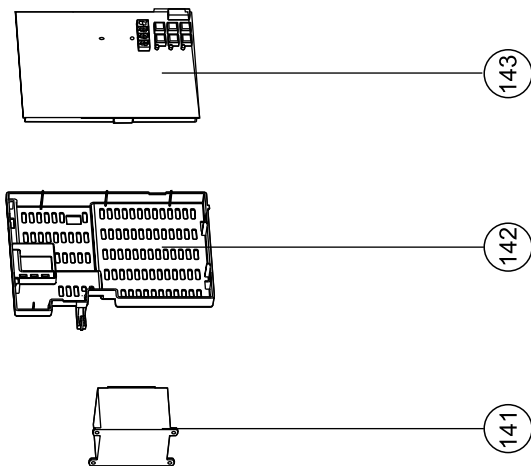
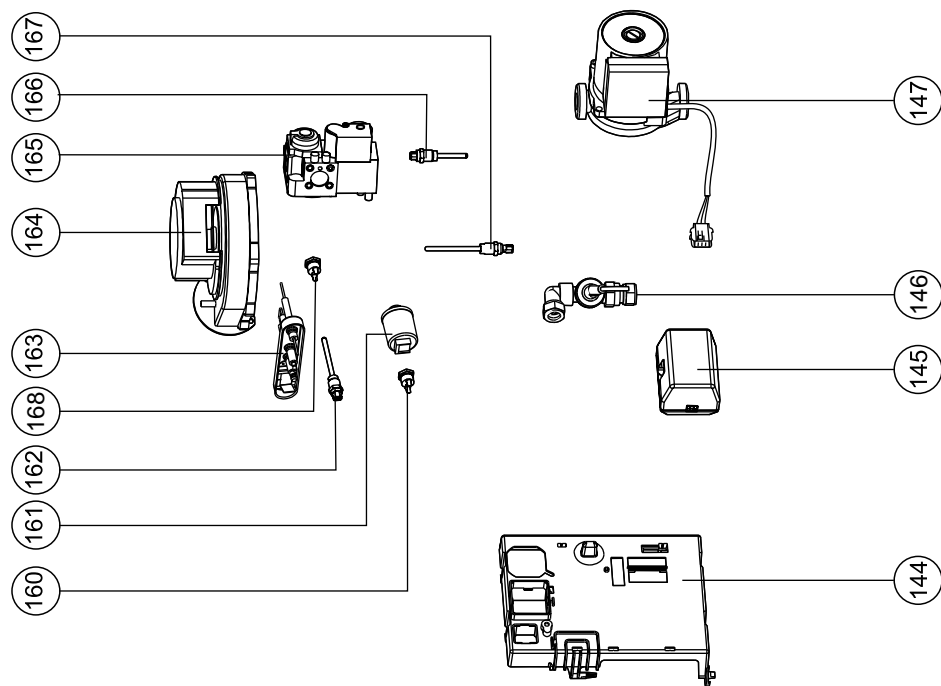
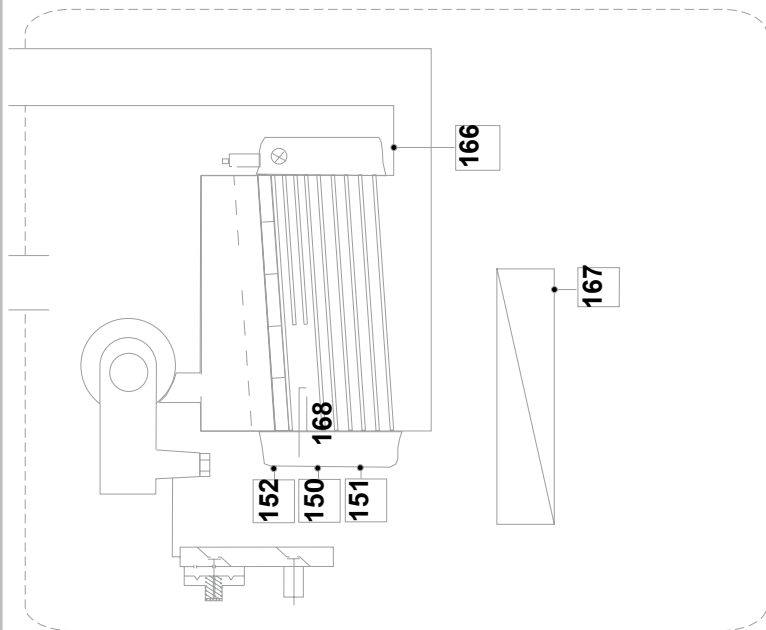
Item	Description	Part No.	E75C		E110C	
			N	P	N	P
			OSS1		OSS2	
91	O-RING ø21.89X2.62 GASLINE	809000061	X	X	X	X
	GAS PIPE E75C	806000020	X	X		
92	GASKET FITTING 3/4" GASV.	809000062	X	X	X	X
93	FITTING GAS VALVE 3/4"	806000016	X	X	X	X
93	GAS PIPE E110C	806000021			X	X
94	GAS FITTING OSS1/2 E	806000015	X	X	X	X
	O-RING ø13.94X2.62 YELLOW SILI O	809000055	X	X	X	X
98	CONNECTION SET 15 X 3/4" NPT INCL	807000072	X	X		
99	CONNECTION SETG1/2" X 3/4" NPT INCL	807000073			X	X
100	NUT 1/2" G BRASS COMPR. 15	809000070	X	X	X	X
101	FILTER RETURN PIPE	809000069	X	X	X	X
102	T-PIECE T3 E	807000048	X	X	X	X
	O-RING ø5.00X2.00 FLOW SENSOR 5X	809000080	X	X	X	X
103	PIPE RET-3WV FILTER E	807000049	X	X	X	X
103A	ADAPTER FITTING 22mmX3/4" M-NPT	807000069	2X	2X		
105	FILTER RETURN PIPE	807000029	X	X	X	X
106	FILTER CAP	807000031	X	X	X	X
	O-RING ø25.07 X 2.62 3WV	809000058	X	X	X	X
107	NUT M35 ø30	809000059	X	X	X	X
109	CONDENSATE COLLECTOR	809000081	X	X	X	X
111	TRAP - E SERIES	809000100	X	X	X	X
112	O-RING ø40X3.53 TRAP TRAY Q	809000052	X	X	X	X
113	O-RING ø18.72X2.62 EPDM 3X	809000084	X	X	X	X
115	EXTENSION PIECE RETURN PIPE				X	X
	ADAPTER FITTING 3/4" INTX 15 COMPR.	807000050			X	X
	NUT 1 1/8"G COMPR.	807000051			X	X
	COMPRESSION RING 22MM BRASS	809000085			X	X
	SECURITY SPRING	809000086			X	X
116	EXPANSION VESSEL 12L E110C	807000052			X	X
117	PIPE ø15 HOT WATER E	807000053	X	X	X	X
117A	CONNECTION SET 15 X 3/4" M-NPT	807000068	X	X		
118	BOLT M 5X12 IMBUS VERZ. 3X	809000045	X	X	X	X

Item	Description	Part No.	E75C		E110C	
			N	P	N	P
			OSS1		OSS2	
119	PLATE EXCHANGER 24KW PF/ESHR	807000054	X	X		
	O-RING ø13.94X2.62 DE-AER. 2x	809000028	X	X	X	X
	PLATE EXCHANGER 35KIW PF/ESHR	807000055			X	X
	O-RING ø21.89X2.62 EPDM 2X	809000088	X	X	X	X
120	BRACKET PLATE EXCH. PF/ESHR		X	X	X	X
121	PIPE FLOW.PL.EXCH-CH E75C	807000058	X	X		
	PIPE FLOW.PL.EXCH-CH E110C	807000059			X	X
	BOLT M6X20 SS IMB.BP.4.2 3X	809000089	3X	3X	3X	3X
	O-RING 4.8X1.8 LOCK.HE Q. 3X	809000090	3X	3X	3X	3X
123	PIPE 3WV-PUMPPF/ESHR	807000060			X	X
123	PIPE 3WV-PUMP	807000061	X	X		
124	NUT M35 ø30	809000059	3X	3X	3X	3X
	O-RING ø26.70 X 1.78 3X	809000091	3X	3X	3X	3X
	FITTING SET 3 WAY VALVE	807000062	X	X	X	X
125	THREE WAY V. HOUSING VC O-RING	809000057	X	X	X	X
126	CARTRIDGE 3WV	807000030	X	X	X	X
127	FLANGE 3WV	807000063	X	X	X	X
128	O-RING ø26.70 X 1.78 3X	809000091	X	X	X	X
129	PIPE PL.EXCH-3WV E	807000064	X	X	X	X
130	TRAF0 120V/24V	805000010	X	X	X	X
130	BOLT M 5X12 IMBUS VERZ. 3X	809000045	X	X	X	X
131	SUPPORT BRACKET		X	X		
132	EXPANSION VESSEL 8L E75C	807000065	X	X		
133	CLAMPING STRIP WITH LOCK		X	X		
134	GASKET 15X11X2 5x	809000092	X	X		
135	FLEXIBLE HOSE 3/8" BIX10MM CLAMP	807000066	X	X		
136	EXTENSION PIECE FLOW PIPE				X	X
136A	CONNECTION G3/4" X 3/4"NPT	806000023			X	X
138	EXTENSION PIECE DHW PIPE				2X	2X
138A	CONNECTION SET 15 X 3/4" M-NPT	807000068			X	X
139	NUT 1/2" G BRASS COMPR. 15	809000070			X	X
	COMPRESSION RING 22MM BRASS	809000085			X	X

### Parts electrical components E-Series

- 162 T1 supply sensor
- 160 T2 return sensor
- 167 T3 DHW sensor
- 166 T5 flue gas sensor
- 168 HLS high limit switch

- 161 P1 water pressure sensor





Item	Description	Part No.	E75C		E110C	
			N	P	N	P
			OSS1		OSS2	
140	HARNESSE	805000041	X	X	X	X
	STICKER CONNECTION TERMINAL	805000046	X	X	X	X
	CONNECTOR 2-POLE PURPLE	805000015	X	X	X	X
	CONNECTOR 2-POLE BLACK	805000016				
	CONNECTOR 3-POLE GRAY	805000018	X	X	X	X
	CONNECTOR 4-POLE BROWN	805000021	X	X	X	X
	CONNECTOR 6-POLE BLUE	805000022	X	X	X	X
141	TRAF0 120V/24V	809000094	X	X	X	X
	SCREW 3,5X 9,5 VERZ.D7983 5X	805000011	X	X	X	X
142	CASING CONTR.UNIT BACK E	809000093	X	X	X	X
143	CONTROL UNIT MCBA 5417 E RAC	805000025	X	X	X	X
	FUSE 5AF 3x	805000026	X	X	X	X
	FUSE 4 AT (250v)3x	805000027	X	X	X	X
144	CASING CONTR.UNIT FRONT E	809000094	X	X	X	X
145	3WAY VALVE ACTUATOR VC2010	805000030	X	X	X	X
	HARNES DHW E	805000042	X	X	X	X

Item	Description	Part No.	E75C		E110C	
			N	P	N	P
			OSS1		OSS2	
146	FLOW SWITCH 2,5L E	805000043	X	X	X	X
147	PUMP UPS20-48 120V	807000038	X	X		
147	PUMP UPS20-58 120V	807000039			X	X
160	NTC T2/T3	805000032	X	X	X	X
161	WATERPRESS SENS	805000034	X	X	X	X
162	NTC T1/T3	805000035	X	X	X	X
163	IGNITION ELECTRODE+GASKET	805000036	X	X	X	X
	IGNITION CABLE SHR	805000037	X	X	X	X
	IONISATION WIRE SHR	805000039	X	X	X	X
164	FAN NRG 118 OSS1/2	808000027	X	X	X	X
	HARNES FAN 120V	805000038	X	X	X	X
165	GAS VALVE	806000019	X	X	X	X
167	NTC T1/T3	805000035	X	X	X	X
168	HIGH LIMIT SWITCH	805000033	X	X	X	X

## 18 Parts list vent system

### Vent Products

Listed and Tested Vent Products for E75C, E110C, Q85S, Q130S, Q175S, Q175C and Q205S

Manufacturer	Descriptions	Parts #
Heatfab	DGV 3"/5" Conc Air Intake Tee 3"	DGV03TAD3
	DGV 3"/5" Conc X 12" Length	DGV03L12
	DGV 3"/5" Conc X 31" Length	DGV03L36
	DGV 3"/5" Conc Horz Term Adapter	DGV03HT
	DGV 3"/5" Conc Vert Term Adapter	DGV03VT
	Rain Cap	SGV300
	3"- Adapter to fit into 80 mm Flue Collar	adapter
	3"- 12 Length	SGV302
	3"- 31" Length	SGV307
	3"- 90 Deg Tr Elbow	SGV314
	3"- Screen Termination	SGV392
	3"- Round Wall Thimble Pate	SGV393
	3"- Tall Cone Flashing, Flat- 2/12 Pitch	SGV3TCF

Manufacturer	Descriptions	Parts #
IPEX	Concentric Vent Termination	1CT0303
	PVC - FGV Concentric Kit	196006
	PVC - FGV Wall Termination Kit	81219
	CPVC - FGV Concentric Vent Kit	197009
	Termination Vent Screen	196051

Manufacturer	Descriptions	Parts #
Rinnai/ Ubbink	1 Meter Sections of PP/PVC, 3"/5"	224080
	90 Degree, Male x Female, PP/PVC, 3"/5"	224078
	Horizontal PP Termination, 21 inch	223175
	Vertical PP Termination	184162

Manufacturer	Descriptions	Parts #
York International	3" PVC Concentric Vent Termination	1CT0303

Miscellaneous	
Terminal	General PVC 1120 3" SCH 40 DWV ASTM D 2665 900 Elbow
Air Intake Pipe	PVC 1120 3" SCH 40 DWV ASTM D 2665
Vent Pipe	PVC 1120 3" SCH 40 DWV ASTM D 2665

Vent Manufacturer Contact Information for Installation Instructions and Parts Lists:

Rinnai/Ubbink	Heat-Fab
Telephone: 800-621-9419	Telephone: 800-772-0739
Fax: 678-829-1666	Fax: 413-863-4803
Web Site: www.rinnai.us	Email: cystsvc@heat-fab.com
	Web Site: www.heatfab.com

IPEX	York International
Telephone: 800-463-9572	Telephone: 405-364-4040
905-403-0264	877-874-7378
Fax: 905-403-9195	Web Site: www.york.com/products/unitary/
Web Site: www.ipexamerica.com	

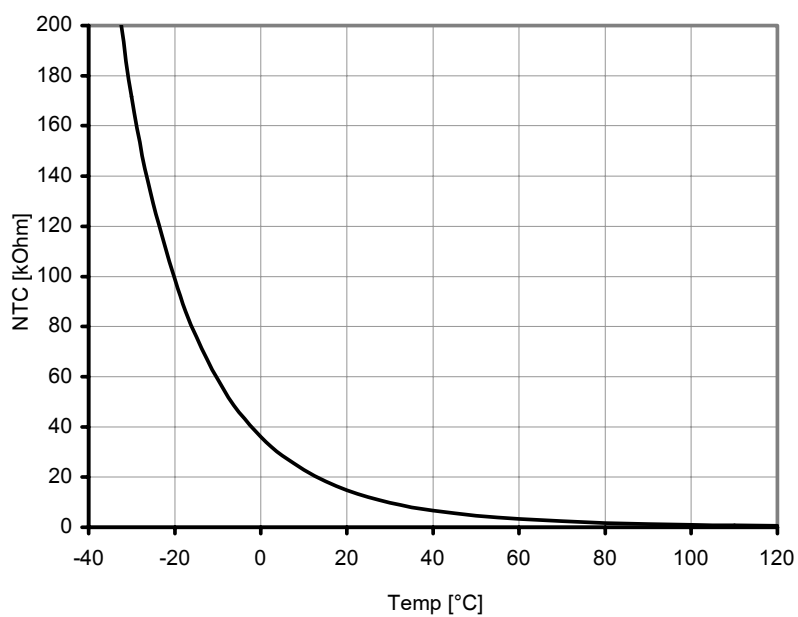
Do not common vent with the vent pipe of any other boiler or appliance. However, when an existing boiler is removed from a common venting system, the common venting system is likely to be too large for proper venting of the appliances remaining connected to it. At the time of removal of an existing boiler, the following steps shall be followed with each appliance remaining connected to the common venting system placed in operation, while the other appliances remaining connected to the common venting system are not in operation:

- (a) Seal any unused openings in the common venting system.
- (b) Visually inspect the venting system for proper size and horizontal pitch and determine there is no blockage or restriction, leakage, corrosion and other deficiencies which could cause an unsafe condition.
- (c) Insofar as is practical, close all building doors and windows and all doors between the space in which the appliances remaining connected to the common venting system are located and other spaces of the building. Turn on clothes dryers and any appliance not connected to the common venting system. Turn on any exhaust fans, such as range hoods and bathroom exhausts, so they will operate at maximum speed. Do not operate a summer exhaust fan. Close fireplace dampers.
- (d) Place in operation the appliance being inspected. Follow the lighting instructions. Adjust thermostat so appliance will operate continuously.
- (e) Test for spillage at the draft hood relief opening after 5 minutes of main burner operation. Use the flame of a match or candle, or smoke from a cigarette, cigar or pipe.
- (f) After it has been determined that each appliance remaining connected to the common venting system properly vents when tested as outlined above, return doors, windows, exhaust fans, fireplace dampers and any other gas burning appliance to their previous condition of use."
- (g) Any improper operation of the common venting system should be corrected so the installation conforms with the National Fuel Gas Code, ANSI Z223.1/NFPA 54 and/or CAN/CSA B149.1, Natural Gas and Propane Installation Code. When resizing any portion of the common venting system, the common venting system should be resized to approach the minimum size as determined using the appropriate tables in Part 11 of the National Fuel Gas Code, ANSI Z223.1/NFPA 54 and/or CAN/CSA B149.1, Natural Gas and Propane Installation Code.

## Appendix A - Outdoor Reset Sensor Data

R 25 °C	12 kΩ
R 100 ° C	950 Ω
B <sub>25/85</sub>	3750 K
Temperature coefficient	-4,2 %/K

Temp [°C]	NTC [kOhm]
-30	171.70
-20	98.82
-10	58.82
0	36.10
10	22.79
20	14.77
25	12.00
30	9.81
40	6.65
50	4.61
60	3.25
70	2.34
80	1.71
90	1.27
100	0.95
110	0.73
120	0.56









# Rinnai®

EXPERIENCE OUR INNOVATION™

800000012 9/2009

**Distributor for the USA**

Rinnai America Corporate • 103 International Drive • Peachtree City, GA 30269  
Toll Free: (800) 621-9419 • Tel: (678) 829-1700 • Fax: (678) 829-1666 • E-mail: [info@rinnai.us](mailto:info@rinnai.us) • Internet: [www.rinnai.us](http://www.rinnai.us)

E. & O. E.



## Free Manuals Download Website

<http://myh66.com>

<http://usermanuals.us>

<http://www.somanuals.com>

<http://www.4manuals.cc>

<http://www.manual-lib.com>

<http://www.404manual.com>

<http://www.luxmanual.com>

<http://aubethermostatmanual.com>

Golf course search by state

<http://golfingnear.com>

Email search by domain

<http://emailbydomain.com>

Auto manuals search

<http://auto.somanuals.com>

TV manuals search

<http://tv.somanuals.com>