

Type of Appliance	Direct vent wall furnace suitable for homes, apartments, and condominiums; modular/mobile home approved; forced combustion, forced convection	
Rinnai Model Number	RHFE-556FA-N (Natural gas)	RHFE-556FA-P (Propane)
Gas Rate Input (BTU/hour)	Low - 8,200 High - 21,500	Low - 8,200 High - 20,700
Gas Rate Output (BTU/hour)	Low - 6,640 High - 17,420	Low - 6,640 High - 16,770
AFUE Rating	80.6%	81.0%
Minimum Gas Supply Pressure	5 in (127 mm) W.C.	11 in (279 mm) W.C.
Maximum Gas Supply Pressure	10.5 in (267 mm) W.C.	13 in (330 mm) W.C.
Electrical Connection	AC 120V, 60 Hz, 52 watts	
Gas Connection	1/2 inch FNPT	
Combustion System	Stainless steel inshot burners	
Ignition System	Direct spark	
Fan CFM Output:	Low: 110.5	High: 162.7
Temperature Settings	Low (LO): minimum combustion 60° - 80° F in 4° increments High (HI): maximum combustion	
Temperature Control	Electronic thermostat	
Humidifier Tray	Enameled tray with capacity of 3 pints (1.3 liters)	
Weight	Approximately 51 lbs (23 kg)	
Clearance from Combustibles	Side: 2 inches (50 mm) Front: 40 inches (1 m)	Top: 10 inches (250 mm)
Noise Level	32 - 41 dB(A)	
Warm Air Outlet	Bottom front louvers	

FEATURES

Linear function modulation:	provides precise gas flow
Negative coefficient thermistor:	detects temperature change in 1/2 of a degree
Variable speed inducer motor:	monitors and controls combustion fan
Quiet operation:	reduces noise through use of swept blades in convection fan; and through the design of the combustion chamber and heat exchanger which silently expand or contract due to temperature changes
Self diagnostic electronics:	continually monitors functions; provides auto shutdown codes; indicates when air filter needs cleaning



Safety Devices

- Flame rod detects flame failure; results in auto shutdown to prevent escape of gas
- Bi-metal switch, thermal fuse, and thermistor detect overheating condition; results in auto shutdown
- 3 amp fuse protects against power surge; results in auto shutdown
- Abnormal spark at time of ignition results in auto shutdown
- Combustion fan purges any gas from the combustion chamber before ignition
- Convection fan continues to run after burner shutdown to cool internal parts
- Function lock prevents inadvertent operation
- Appliance shuts down if room reaches 104° F (40° C)

Venting

concentric; 3 1/8 inch (80 mm) wall hole

Maximum Vent Length

13 feet (4 m) with a maximum of 2 bends; maximum 8 feet (2.4 m) vertically

Wall Thickness and Flue Manifold Kits
(the "A" vent kit is included with the appliance)

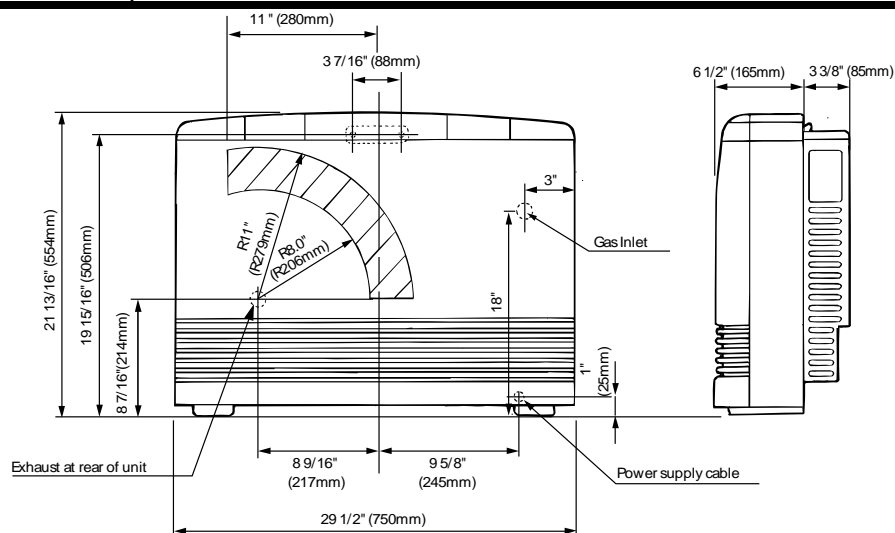
Name	Kit No.	fits walls
S Vent Kit	FOT-150	3 - 4 1/2 in (75 - 115 mm)
A Vent Kit	FOT-151	4 1/2 - 9 1/2 in (115 - 240 mm)
B Vent Kit	FOT-152	9 1/2 - 15 3/4 in (240 - 400mm)
C Vent Kit	FOT-153	15 3/4 - 23 5/8 in (400 - 600 mm)
D Vent Kit	FOT-154	23 5/8 - 31 1/2 in (600 - 800 mm)

Warranty

Labor: 2 years; Parts: 5 years; Heat Exchanger: 10 years with years 6-10 prorated

Rinnai is continually updating and improving products; therefore, specifications are subject to change without prior notice. Local, state, provincial and federal codes must be adhered to prior to installation.

DIMENSIONS



Free Manuals Download Website

<http://myh66.com>

<http://usermanuals.us>

<http://www.somanuals.com>

<http://www.4manuals.cc>

<http://www.manual-lib.com>

<http://www.404manual.com>

<http://www.luxmanual.com>

<http://aubethermostatmanual.com>

Golf course search by state

<http://golfingnear.com>

Email search by domain

<http://emailbydomain.com>

Auto manuals search

<http://auto.somanuals.com>

TV manuals search

<http://tv.somanuals.com>