

Voltage Detector with Delay Function (Internal Counter Type)

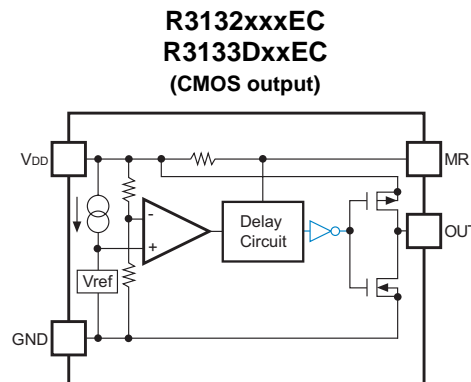
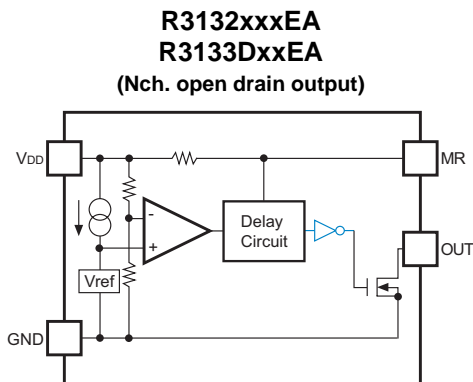
The R3132x/R3133D Series are CMOS-based voltage detector ICs with the built-in output delay circuit. There is no hysteresis between the detector threshold and the released voltage. By inputting "L" signal to MR pin, the manual reset signal is outputted. Reset signal can be chosen from "L" (R3132x) or "H" (R3133D). A delay capacitor is not needed, because the output delay time of 240ms is generated with the counter in the IC.

FEATURES

- Supply Current (I_{SS})..... Typ. 0.8 μ A ($V_{DD}=V_{DET}+1.0V$, R313xx15Ex)
- Operating Voltage Range (V_{DD})..... 0.75V to 6.0V (R3132x, Absolute maximum rating: 6.5V), 0.8V to 6.0V (R3133D, Absolute maximum rating: 6.5V)
- Detector Threshold Range (V_{DET})... 1.0V to 5.0V *(Internally fixed)
- Output Delay Typ. 240ms (Accuracy $\pm 15\%$)
- Reset Signal R3132x : "L", R3133D : "H"
- Detector Threshold Accuracy..... $\pm 2\%$
- Temp. coeff. of Detector Threshold .. Typ. $\pm 100\text{ppm}/^\circ\text{C}$
- Two Output Types Nch. Open Drain and CMOS
- Packages SON1612-6, SC-82AB (only R3132Q)

*) For detail, please refer to the below SELECTION GUIDES.

BLOCK DIAGRAMS



Blue line: only R3133D

SELECTION GUIDES

Halogen Free	Package	Q'ty per Reel	Part No.
H/F	SON1612-6	4,000 pcs	R3132DxxE*(y)-TR-FE R3133DxxE*(y)-TR-FE
H/F	SC-82AB	3,000 pcs	R3132QxxE*(y)-TR-FE

- **xx** : Specify the detector threshold within the range of 1.0V (10) to 5.0V (50) in 0.1V steps. (2.32V, 2.63V, 2.93V, 3.08V, 4.38V and 4.63V can also be specified.)
- **y** : If the detector threshold includes the 3rd digit, indicate the digit of 0.01V. (Example) If the detector threshold is 2.63V, R313xx26E*3-TR-FE
- ***** : Select the output type from (A) Nch. open drain or (C) CMOS.

PACKAGES (Top View)

SON1612-6		SC-82AB	
1	V_{DD}	1	GND
2	GND	2	OUT
3	MR*	3	MR*
4	OUT	4	V_{DD}
5	GND		
6	NC		

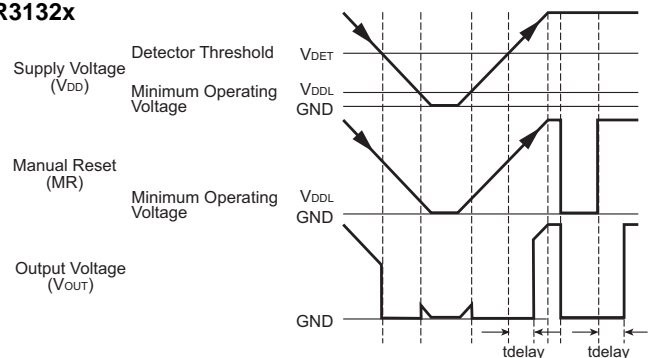
*) Manual reset input pin ("L" active)

APPLICATIONS

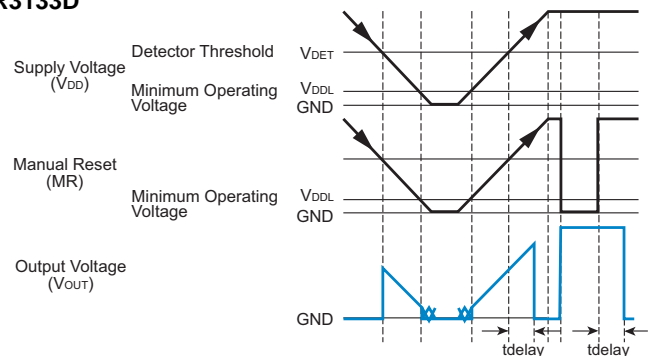
- Microcontroller and logic circuit reset
- Battery checker
- Window comparator
- Wave shaping circuit
- Battery back-up circuit
- Power failure detector

TIMING CHARTS

R3132x



R3133D



The detector threshold is the same as the released voltage, not hysteresis.



1. The products and the product specifications described in this document are subject to change or discontinuation of production without notice for reasons such as improvement. Therefore, before deciding to use the products, please refer to Ricoh sales representatives for the latest information thereon.
2. The materials in this document may not be copied or otherwise reproduced in whole or in part without prior written consent of Ricoh.
3. Please be sure to take any necessary formalities under relevant laws or regulations before exporting or otherwise taking out of your country the products or the technical information described herein.
4. The technical information described in this document shows typical characteristics of and example application circuits for the products. The release of such information is not to be construed as a warranty of or a grant of license under Ricoh's or any third party's intellectual property rights or any other rights.
5. The products listed in this document are intended and designed for use as general electronic components in standard applications (office equipment, telecommunication equipment, measuring instruments, consumer electronic products, amusement equipment etc.). Those customers intending to use a product in an application requiring extreme quality and reliability, for example, in a highly specific application where the failure or misoperation of the product could result in human injury or death (aircraft, spacevehicle, nuclear reactor control system, traffic control system, automotive and transportation equipment, combustion equipment, safety devices, life support system etc.) should first contact us.
6. We are making our continuous effort to improve the quality and reliability of our products, but semiconductor products are likely to fail with certain probability. In order to prevent any injury to persons or damages to property resulting from such failure, customers should be careful enough to incorporate safety measures in their design, such as redundancy feature, fire containment feature and fail-safe feature. We do not assume any liability or responsibility for any loss or damage arising from misuse or inappropriate use of the products.
7. Anti-radiation design is not implemented in the products described in this document.
8. Please contact Ricoh sales representatives should you have any questions or comments concerning the products or the technical information.



Ricoh is committed to reducing the environmental loading materials in electrical devices with a view to contributing to the protection of human health and the environment.

Ricoh has been providing RoHS compliant products since April 1, 2006 and Halogen-free products since April 1, 2012.

RICOH RICOH ELECTRONIC DEVICES CO., LTD.

<http://www.e-devices.ricoh.co.jp/en/>

Sales & Support Offices

RICOH ELECTRONIC DEVICES CO., LTD.

Higashi-Shinagawa Office (International Sales)
3-32-3, Higashi-Shinagawa, Shinagawa-ku, Tokyo 140-8655, Japan
Phone: +81-3-5479-2857 Fax: +81-3-5479-0502

RICOH EUROPE (NETHERLANDS) B.V.

Semiconductor Support Centre
Prof. W.H. Keesomlaan 1, 1183 DJ Amstelveen, The Netherlands
Phone: +31-20-5474-309

RICOH ELECTRONIC DEVICES KOREA CO., LTD.

3F, Haesung Bldg. 504, Teheran-ro, Gangnam-gu, Seoul, 135-725, Korea
Phone: +82-2-2135-5700 Fax: +82-2-2051-5713

RICOH ELECTRONIC DEVICES SHANGHAI CO., LTD.

Room 403, No.2 Building, No.690 Bilbo Road, Pu Dong New District, Shanghai 201203, People's Republic of China
Phone: +86-21-5027-3200 Fax: +86-21-5027-3299

RICOH ELECTRONIC DEVICES CO., LTD.

Taipei office
Room 109, 10F-1, No.51, Hengyang Rd., Taipei City, Taiwan (R.O.C.)
Phone: +886-2-2313-1621/1622 Fax: +886-2-2313-1623

Free Manuals Download Website

<http://myh66.com>

<http://usermanuals.us>

<http://www.somanuals.com>

<http://www.4manuals.cc>

<http://www.manual-lib.com>

<http://www.404manual.com>

<http://www.luxmanual.com>

<http://aubethermostatmanual.com>

Golf course search by state

<http://golfingnear.com>

Email search by domain

<http://emailbydomain.com>

Auto manuals search

<http://auto.somanuals.com>

TV manuals search

<http://tv.somanuals.com>