



RICOH UNIVERSITY

Learning ♦ Knowledge ♦ Performance



D017/D018/D019/
D020/D084/D085
PARTS CATALOG

003321MIU

LANIER RICOH SAVIN



**D017/D018/D019/
D020/D084/D085
PARTS CATALOG**

**LANIER
RICOH
Savin®**



RICOH UNIVERSITY
Learning ♦ Knowledge ♦ Performance

D017/D018/D019/D020/D084/D085 PARTS CATALOG

003321MIU

LANIER RICOH SAVIN®

It is the reader's responsibility when discussing the information contained within this document to maintain a level of confidentiality that is in the best interest of Ricoh Americas Corporation and its member companies.

**NO PART OF THIS DOCUMENT MAY BE REPRODUCED IN ANY
FASHION AND DISTRIBUTED WITHOUT THE PRIOR
PERMISSION OF RICOH AMERICAS CORPORATION.**

All product names, domain names or product illustrations, including desktop images, used in this document are trademarks, registered trademarks or the property of their respective companies.

They are used throughout this book in an informational or editorial fashion only and for the benefit of such companies. No such use, or the use of any trade name, or web site is intended to convey endorsement or other affiliation with Ricoh products.

© 2009 RICOH Americas Corporation. All rights reserved.

LEGEND

| PRODUCT CODE | COMPANY | | | |
|--------------|----------------------------------|---------|------------------|--------|
| | GESTETNER | LANIER | RICOH | SAVIN |
| D017 | MP 2550B | LD425B | Aficio MP 2550B | 9025B |
| D018 | MP 2550SP | LD425SP | Aficio MP 2550SP | 9025SP |
| D019 | MP 3350B | LD433B | Aficio MP 3350B | 9033B |
| D020 | MP 3350SP | LD433SP | Aficio MP 3350SP | 9033SP |
| D084 | MP 2851SP | LD528SP | Afficio MP2851SP | 9228S |
| D085 | MP 3351SP | LD533SP | Afficio MP3351SP | 9233SP |
| B391 | Large Capacity Tray PS500 | | | |
| B408 | 1000 Sheet Finisher SR790 | | | |
| B793 | Booklet Finisher SR3000 | | | |
| B829 | Copy Data Security Unit Type E | | | |
| D331 | Paper Feed Unit PB3030 | | | |
| D361/D510 | Fax Option Type 3350/3351 | | | |
| D366 | ARDF DF3030 | | | |
| D367 | 1-Bin Tray BN3030 | | | |
| D368 | Bridge Unit BU3020 | | | |
| D369 | Duplex Unit AD3000 | | | |
| D370 | Bypass Tray BY3000 | | | |
| D371 | Interchange Unit Type 3350 | | | |
| D372 | Finisher SR3050 | | | |
| D383 | Printer/Scanner Option Type 3350 | | | |
| D385 | Internal Shift Tray SH3010 | | | |

DOCUMENTATION HISTORY

| REV. NO. | DATE | COMMENTS |
|----------|---------|-------------------|
| * | 01/2010 | Original Printing |
| | | |

D017/D018/D019/D020/D084/D085

TABLE OF CONTENTS

D017/D018/D019/D020/D084/D085 PARTS LOCATION AND LIST

| | | | |
|---------------------------------------|----------|---------------------------------------|----|
| Location Of Unit..... | 2 | (D017/D018/D019/D020/D084/D085) | 30 |
| 1.Exterior 1 | | 13.Toner Hopper Unit | |
| (D017/D018/D019/D020/D084/D085) | 8 | (D017/D018/D019/D020/D084/D085) | 32 |
| 2.Exterior 2 | | 14.PCU Section | |
| (D017/D018/D019/D020/D084/D085) | 10 | (D017/D018/D019/D020/D084/D085) | 34 |
| 3.Operation Panel | | 15.Transfer Unit | |
| (D017/D018/D019/D020/D084/D085) | 12 | (D017/D018/D019/D020/D084/D085) | 36 |
| 4.Scanner Section 1 | | 16.Fusing Unit 1 | |
| (D017/D018/D019/D020/D084/D085) | 14 | (D017/D018/D019/D020/D084/D085) | 38 |
| 5.Scanner Section 2 | | 17.Fusing Unit 2 | |
| (D017/D018/D019/D020/D084/D085) | 16 | (D017/D018/D019/D020/D084/D085) | 40 |
| 6.Scanner Section 3 | | 18.Paper Exit | |
| (D017/D018/D019/D020/D084/D085) | 18 | (D017/D018/D019/D020/D084/D085) | 42 |
| 7.Laser Unit | | 19.Drive Section 1 | |
| (D017/D018/D019/D020/D084/D085) | 20 | (D017/D018/D019/D020/D084/D085) | 44 |
| 8.Paper Tray | | 20.Drive Section 2 | |
| (D017/D018/D019/D020/D084/D085) | 22 | (D017/D018/D019/D020/D084/D085) | 46 |
| 9.1st Paper Feed Section | | 21.Drive Section 3 | |
| (D017/D018/D019/D020/D084/D085) | 24 | (D017/D018/D019/D020/D084/D085) | 48 |
| 10.2nd Paper Feed Section | | 22.Electrical Section 1 | |
| (D017/D018/D019/D020/D084/D085) | 26 | (D017/D018/D019/D020/D084/D085) | 50 |
| 11.Vertical Transport | | 23.Electrical Section 2 | |
| (D017/D018/D019/D020/D084/D085) | 28 | (D017/D018/D019/D020/D084/D085) | 52 |
| 12.Paper Registration | | 24.Electrical Section 3 | |
| | | (D017/D018/D019/D020/D084/D085) | 54 |
| | | 25.Frame Section | |

| | |
|---------------------------------------|----|
| (D017/D018/D019/D020/D084/D085) | 56 |
| 26.BCU Board | |
| (D017/D018/D019/D020/D084/D085) | 58 |
| 27.Controller Board | |
| (D017/D018/D019/D020/D084/D085) | 68 |
| 28.Decal And Document | |
| (D017/D018/D019/D020/D084/D085) | 84 |
| 29.Special Tools | |
| (D017/D018/D019/D020/D084/D085) | 86 |

D017/D018/D019/D020/D084/D085 PARTS INDEX

| | |
|--------------------------|----------|
| PARTS INDEX | 2 |
|--------------------------|----------|

LARGE CAPACITY TRAY PS500 B391 PARTS LOCATION AND LIST

| | |
|--|----|
| 1.Exterior (B391) | 2 |
| 2.Paper Feed Section (B391) | 4 |
| 3.Tandem Tray 1 (B391) | 6 |
| 4.Tandem Tray 2 (B391) | 8 |
| 5.Tandem Tray 3 (B391) | 10 |
| 6.Drive/Electrical Section (B391)..... | 12 |
| 7.Decals And Documents (B391) | 14 |

LARGE CAPACITY TRAY PS500 B391 PARTS INDEX PARTS INDEX

2

1000 SHEET FINISHER SR790 B408 PARTS LOCATION AND LIST

| | |
|--------------------------------------|----|
| 1.Exterior (B408)..... | 2 |
| 2.Transport Section (B408) | 4 |
| 3.Paper Exit Section 1 (B408) | 6 |
| 4.Paper Exit Section 2 (B408) | 8 |
| 5.Vertical Transport (B408) | 10 |
| 6.Staple Section 1 (B408)..... | 12 |
| 7.Staple Section 2 (B408)..... | 14 |
| 8.Staple Section 3 (B408)..... | 16 |
| 9.Shift Tray Drive (B408) | 18 |
| 10.Drive Section (B408)..... | 20 |
| 11.Electrical Section (B408) | 22 |
| 12.Decals And Documents (B408) | 24 |

1000 SHEET FINISHER SR790 B408 PARTS INDEX PARTS INDEX.....

2

BOOKLET FINISHER SR3000 B793 PARTS LOCATION AND LIST

| | |
|--|----|
| 1.Exterior (B793)..... | 2 |
| 2.Paper Transfer (B793)..... | 4 |
| 3.Paper Exit (B793) | 6 |
| 4.Shift Transfer Section (B793) | 8 |
| 5.Staple Transfer Section 1 (B793) | 10 |

| | |
|--|----|
| 6.Staple Transfer Section 2 (B793)..... | 12 |
| 7.Staple Transfer Section 3 (B793)..... | 14 |
| 8.Jogger Unit (B793)..... | 16 |
| 9.Staple Transfer Section 1 (B793)..... | 18 |
| 10.Staple Transfer Section 2 (B793)..... | 20 |
| 11.Staple Transfer Section 3 (B793)..... | 22 |
| 12.Paper Crimp Section 1 (B793)..... | 24 |
| 13.Paper Crimp Section 2 (B793)..... | 26 |
| 14.Paper Crimp Section 3 (B793)..... | 28 |
| 15.Tray Drive Section (B793)..... | 30 |
| 16.Shift Tray Paper Exit (B793)..... | 32 |
| 17.Drive Section (B793)..... | 34 |
| 18.Electrical Section (B793)..... | 36 |
| 19.Decals And Documents (B793)..... | 38 |

**BOOKLET FINISHER SR3000 B793 PARTS INDEX
PARTS INDEX 2**

**COPY DATA SECURITY UNIT TYPE E B829 PARTS
LOCATION AND LIST**

| | |
|---------------------------------------|---|
| 1.Copy Data Security Unit (B829)..... | 2 |
|---------------------------------------|---|

**COPY DATA SECURITY UNIT TYPE E B829 PARTS INDEX
PARTS INDEX 2**

**PAPER FEED UNIT PB3030 D331 PARTS LOCATION AND
LIST**

| | |
|------------------------------------|----|
| 1.Exterior (D331)..... | 2 |
| 2.Paper Tray (D331)..... | 4 |
| 3.Paper Feed/Transfer (D331)..... | 6 |
| 4.Electrical Section 1 (D331)..... | 8 |
| 5.Electrical Section 2 (D331)..... | 10 |
| 6.Electrical Section 3 (D331)..... | 12 |
| 7.Decal And Documents (D331)..... | 14 |

**PAPER FEED UNIT PB3030 D331 PARTS INDEX
PARTS INDEX 2**

FAX OPTION TYPE 3350 D361 PARTS LOCATION AND LIST

| | |
|--------------------------|---|
| 1.Fax Option (D361)..... | 2 |
| 2.G3 Unit (D361)..... | 4 |

**FAX OPTION TYPE 3350 D361 PARTS INDEX
PARTS INDEX 2**

ARDF DF3030 D366 PARTS LOCATION AND LIST

| | |
|---|---|
| 1.Exterior (D366)..... | 2 |
| 2.Original Feed Section 1 (D366)..... | 4 |
| 3.Original Feed Section 2 (D366)..... | 6 |
| 4.Original Transfer Section (D366)..... | 8 |

| | |
|------------------------------------|----|
| 5.Original Exit (D366) | 10 |
| 6.Drive Section (D366) | 12 |
| 7.Frame Section (D366) | 14 |
| 8.Decals And Documents (D366)..... | 16 |

ARDF DF3030 D366 PARTS INDEX
PARTS INDEX 2

1-BIN TRAY BN3030 D367 PARTS LOCATION AND LIST
1.1 Bin Tray (D367)

1-BIN TRAY BN3030 D367 PARTS INDEX
PARTS INDEX 2

BRIDGE UNIT BU3020 D368 PARTS LOCATION AND LIST
1.Bridge Unit 1 (D368)..... 2
2.Bridge Unit 2 (D368)..... 4
3.Bridge Unit 3 (D368)..... 6

BRIDGE UNIT BU3020 D368 PARTS INDEX
PARTS INDEX 2

DUPLEX UNIT AD3000 D369 PARTS LOCATION AND LIST
1.Duplex Unit 1 (D369)..... 2
2.Duplex Unit 2 (D369)..... 4
3.Duplex Unit 3 (D369)..... 6

| | |
|-----------------------------|----|
| 4.Duplex Unit 4 (D369)..... | 8 |
| 5.Duplex Unit 5 (D369)..... | 10 |
| 6.Duplex Unit 6 (D369)..... | 12 |

DUPLEX UNIT AD3000 D369 PARTS INDEX
PARTS INDEX 2

BYPASS TRAY BY3000 D370 PARTS LOCATION AND LIST
1.By-Pass Tray 1 (D370)..... 2
2.By-Pass Tray 2 (D370)..... 4

BYPASS TRAY BY3000 D370 PARTS INDEX
PARTS INDEX 2

INTERCHANGE UNIT TYPE 3350 D371 PARTS LOCATION AND LIST
1.Interchange Unit 1 (D371)

INTERCHANGE UNIT TYPE 3350 D371 PARTS INDEX
PARTS INDEX 2

FINISHER SR3050 D372 PARTS LOCATION AND LIST
1.Exterior (D372)
 2 || 2.Paper Transfer 1 (D372)..... | 4 |
| 3.Paper Transfer 2 (D372)..... | 6 |
| 4.Jogger Unit 1 (D372) | 8 |

| | |
|-----------------------------|----|
| 5.Jogger Unit 2 (D372)..... | 10 |
| 6.Stapler Unit (D372)..... | 12 |
| 7.Paper Exit (D372)..... | 14 |
| 8.Drive Section (D372)..... | 16 |

FINISHER SR3050 D372 PARTS INDEX

| | |
|--------------------------|----------|
| PARTS INDEX | 2 |
|--------------------------|----------|

PRINTER/SCANNER OPTION TYPE 3350 D383 PARTS LOCATION AND LIST

| | |
|---|---|
| 1.Printer/Scanner Option 1 (D383)..... | 2 |
| 2. Printer/Scanner Option 2 (B829/D362/D377/D383) | 4 |

PRINTER/SCANNER OPTION TYPE 3350 D383 PARTS INDEX

| | |
|--------------------------|----------|
| PARTS INDEX | 2 |
|--------------------------|----------|

INTERNAL SHIFT TRAY SH3010 D385 PARTS LOCATION AND LIST

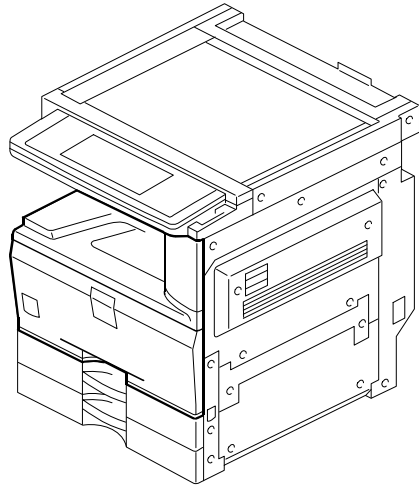
| | |
|-----------------------------------|---|
| 1.Internal Shift Tray (D385)..... | 2 |
|-----------------------------------|---|

INTERNAL SHIFT TRAY SH3010 D385 PARTS INDEX

| | |
|--------------------------|----------|
| PARTS INDEX | 2 |
|--------------------------|----------|

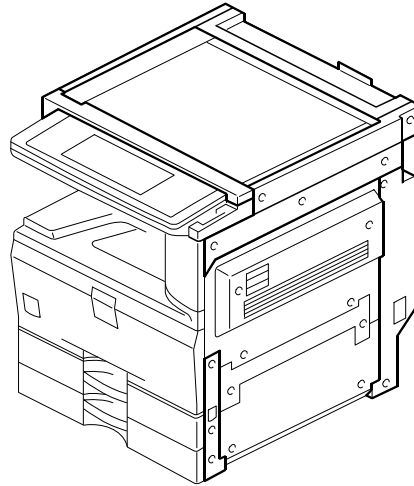
LOCATIONS OF UNITS

1. Exterior 1
(D017/D018/D019/D020/D084/D085)



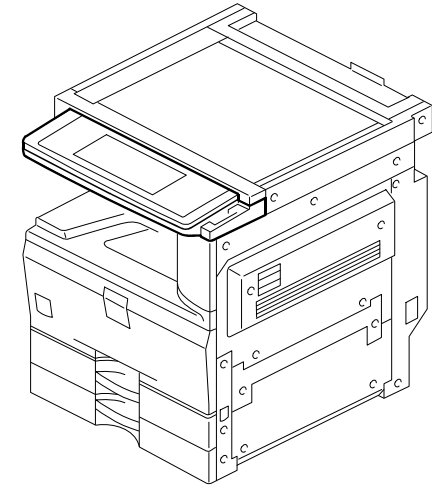
See Page 9

2. Exterior 2
(D017/D018/D019/D020/D084/D085)



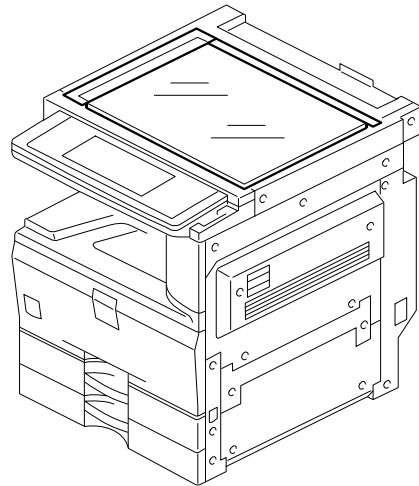
See Page 11

3. Operation Panel
(D017/D018/D019/D020/D084/D085)



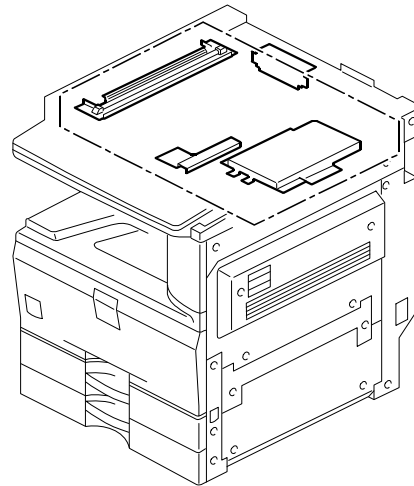
See Page 13

4. Scanner Section 1
(D017/D018/D019/D020/D084 D085)



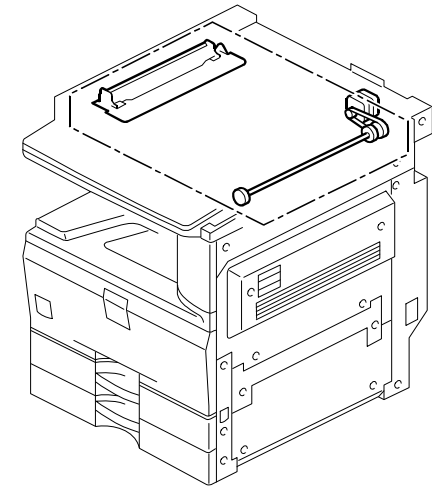
See Page 15

5. Scanner Section 2
(D017/D018/D019/D020/D084/D085)



See Page 17

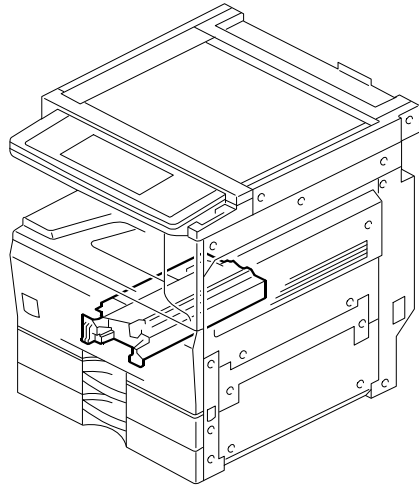
6. Scanner Section 3
(D017/D018/D019/D020/D084/D085)



See Page 19

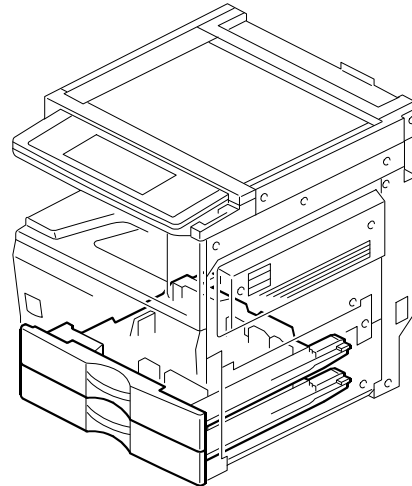
LOCATIONS OF UNITS

7. Laser Unit
(D017/D018/D019/D020/D084/D085)



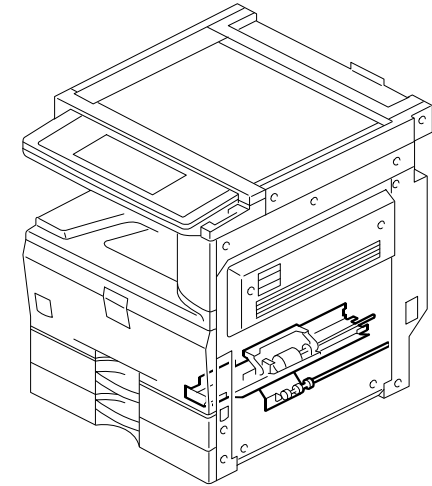
See Page 21

8. Paper Tray
(D017/D018/D019/D020/D084/D085)



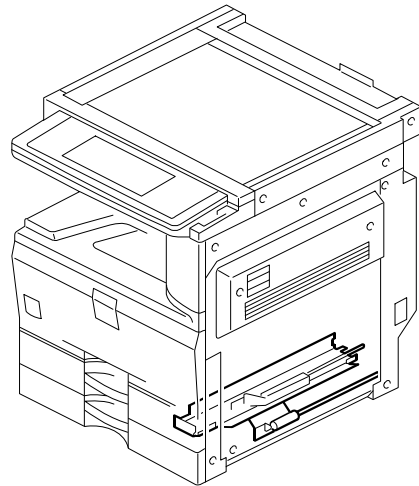
See Page 23

9. 1st Paper Feed Section
(D017/D018/D019/D020/D084/D085)



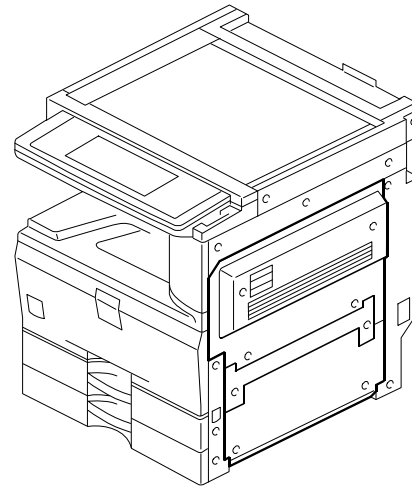
See Page 25

10. 2nd Paper Feed Section
(D017/D018/D019/D020/D084/D085)



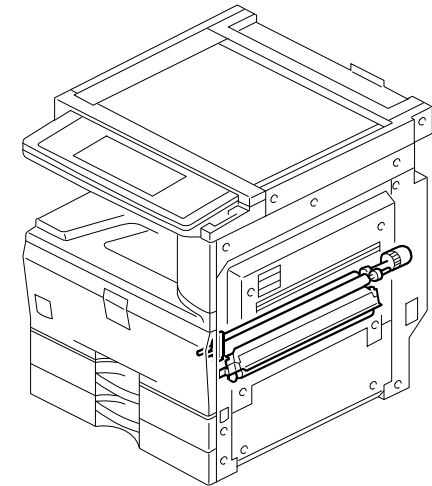
See Page 27

11. Vertical Transport
(D017/D018/D019/D020/D084/D085)



See Page 29

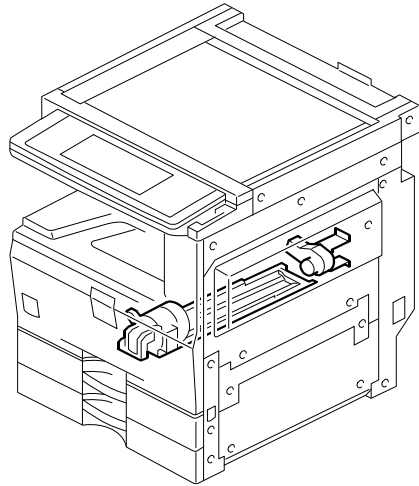
12. Paper Registration
(D017/D018/D019/D020/D084/D085)



See Page 31

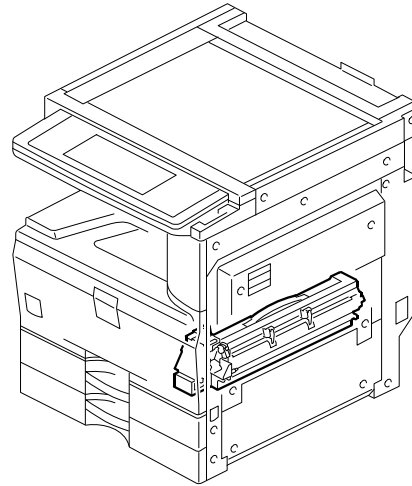
LOCATIONS OF UNITS

13. Toner Hopper Unit
(D017/D018/D019/D020/D084/D085)



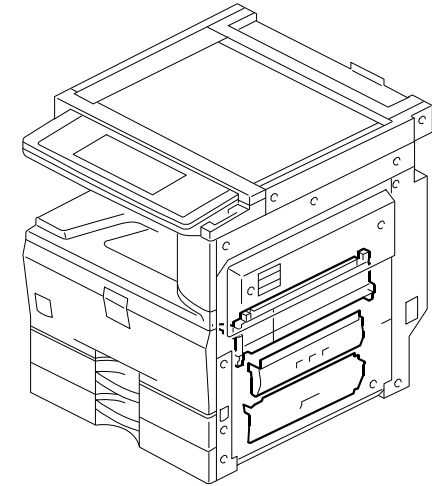
See Page 33

14. PCU Section
(D017/D018/D019/D020/D084/D085)



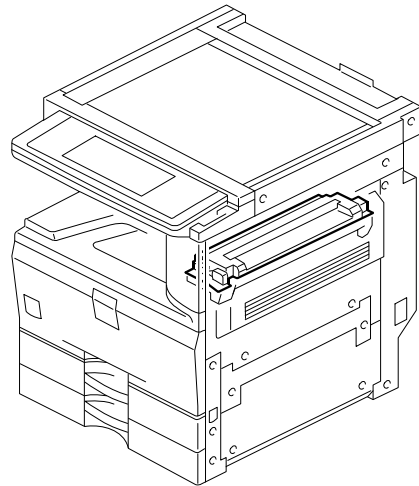
See Page 35

15. Transfer Unit
(D017/D018/D019/D020/D084/D085)



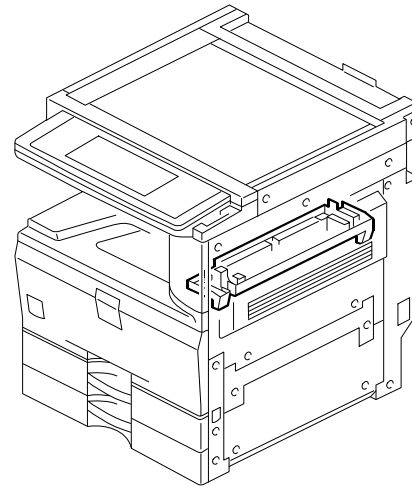
See Page 37

16. Fusing Unit 1
(D017/D018/D019/D020/D084/D085)



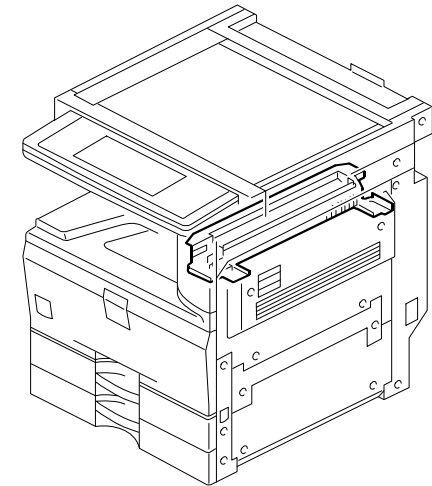
See Page 39

17. Fusing Unit 2
(D017/D018/D019/D020/D084/D085)



See Page 41

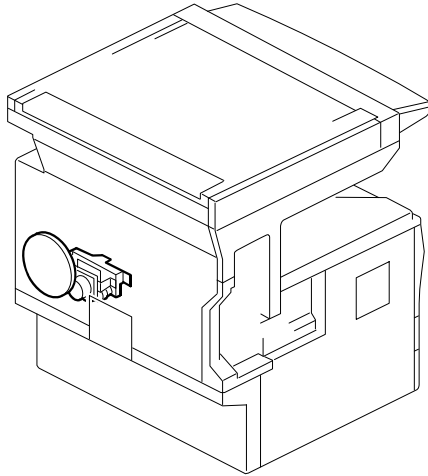
18. Paper Exit
(D017/D018/D019/D020/D084/D085)



See Page 43

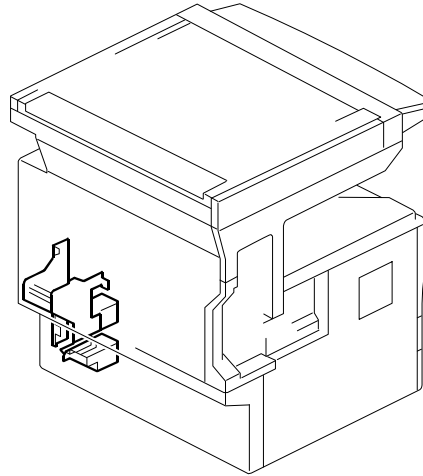
LOCATIONS OF UNITS

19. Drive Section 1
(D017/D018/D019/D020/D084/D085)



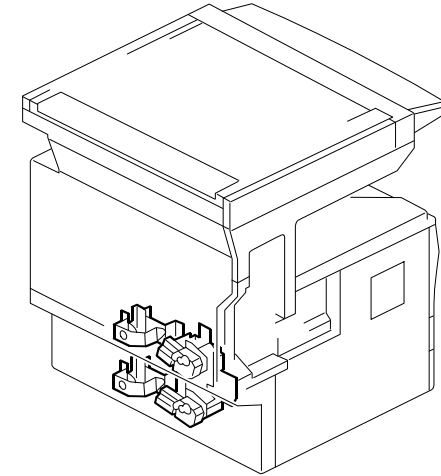
See Page 45

20. Drive Section 2
(D017/D018/D019/D020/D084/D085)



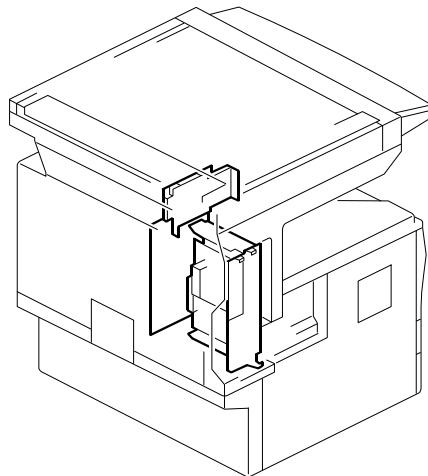
See Page 47

21. Drive Section 3
(D017/D018/D019/D020/D084/D085)



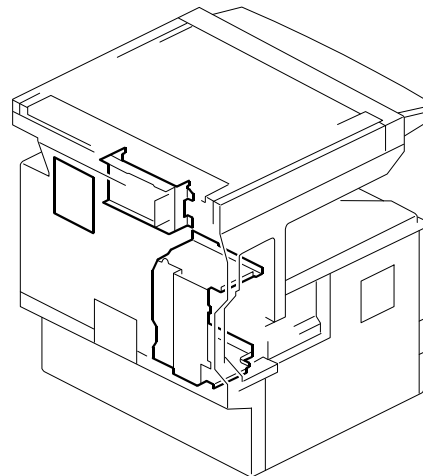
See Page 49

22. Electrical Section 1
(D017/D018/D019/D020/D084/D085)



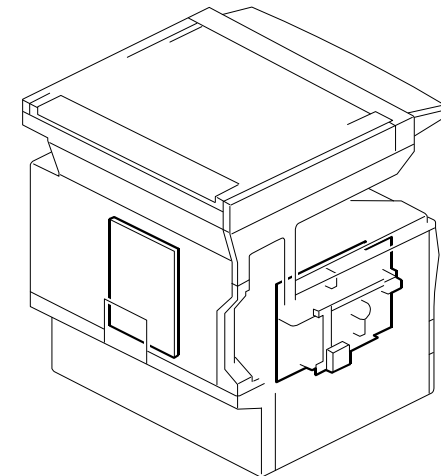
See Page 51

23. Electrical Section 2
(D017/D018/D019/D020/D084/D085)



See Page 53

24. Electrical Section 3
(D017/D018/D019/D020/D084/D085)

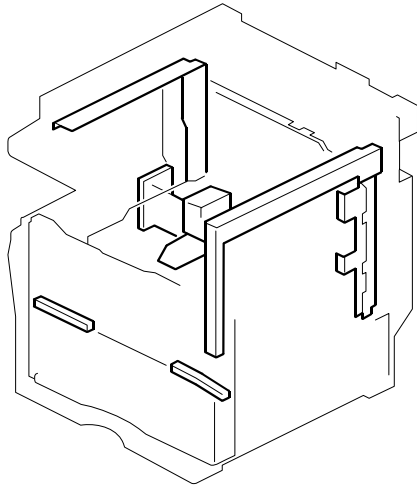


See Page 55

LOCATIONS OF UNITS

25. Frame Section

(D017/D018/D019/D020/D084/D085)

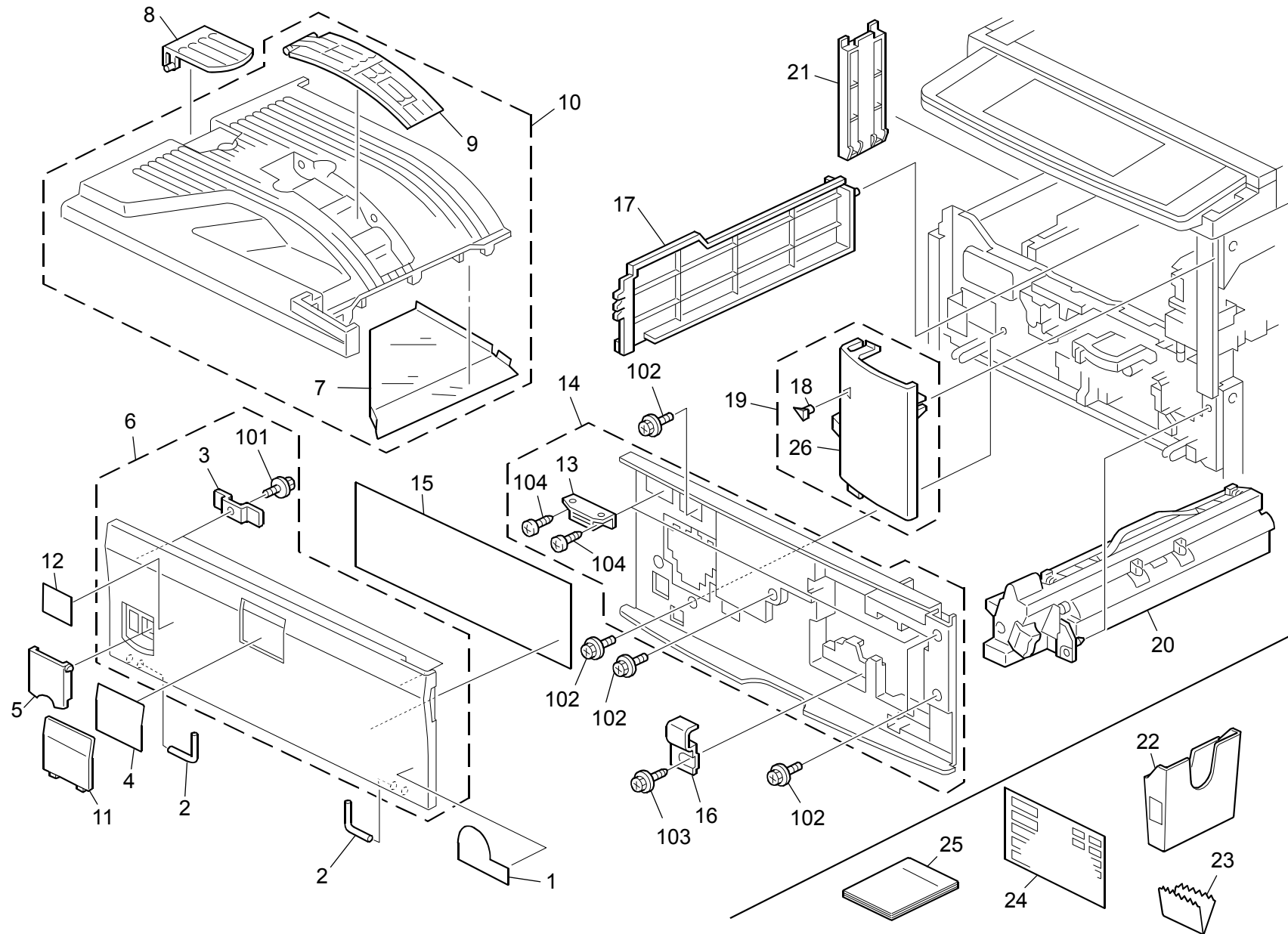


See Page 57

D017/D018/D019/D020/D084/D085 PARTS LOCATION AND LIST

This section shows you the part numbers and descriptions used on this machine.

1.Exterior 1 (D017/D018/D019/D020/D084/D085)



1.Exterior 1 (D017/D018/D019/D020/D084/D085)

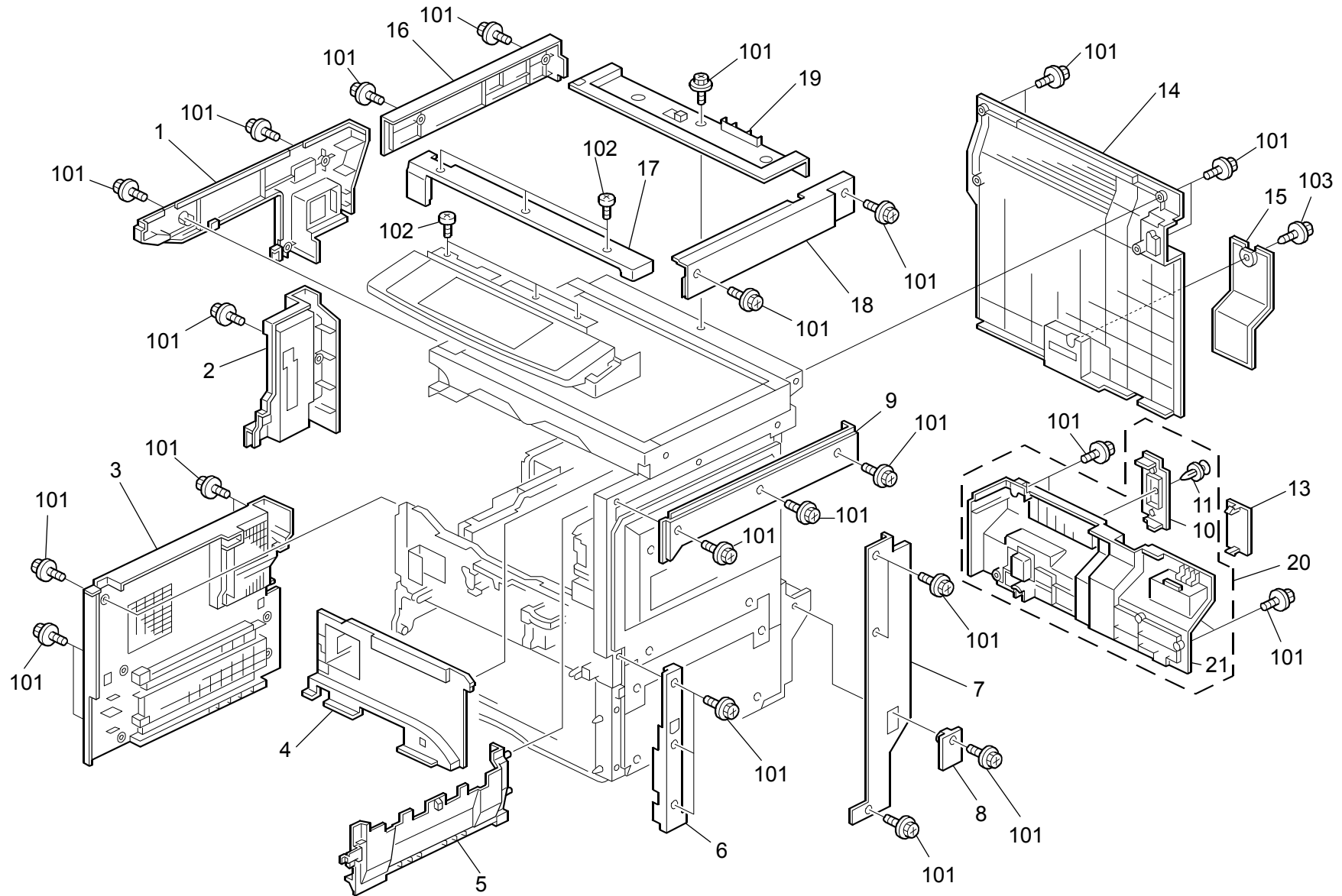
| Index No. | Part No. | Description | Q'ty Per Assembly |
|-----------|-----------|----------------------------------|-------------------|
| 1 | AA00 1477 | Decal: Energy-Star | 1 |
| 2 | G020 1332 | Hinge - Front Cover | 2 |
| 3 | B090 1264 | Magnet Catch: Door: Front | 2 |
| 4 | D017 8600 | Model Name Plate: RIC: 2550B | 1 |
| 4 | D017 8601 | Model Name Plate: SVN: 9025B | 1 |
| 4 | D017 8602 | Model Name Plate: LAN: LD425B | 1 |
| 4 | D017 8603 | Model Name Plate: LAN: 2550B | 1 |
| 4 | D017 8604 | Model Name Plate: NSA: 2550B | 1 |
| 4 | D017 8605 | Model Name Plate: REX: 2550B | 1 |
| 4 | D017 8606 | Model Name Plate: GES: 2550B: EU | 1 |
| 4 | D017 8607 | Model Name Plate: GES: 2550B | 1 |
| 4 | D017 8608 | Model Name Plate: INF: 2550B | 1 |
| 4 | D017 8609 | Model Name Plate: RIC: 2591 | 1 |
| 4 | D017 8610 | Model Name Plate: GES: 2591 | 1 |
| 4 | D018 8600 | Model Name Plate: RIC: 2550 | 1 |
| 4 | D018 8601 | Model Name Plate: SVN: 9025 | 1 |
| 4 | D018 8602 | Model Name Plate: LAN: LD425 | 1 |
| 4 | D018 8603 | Model Name Plate: LAN: 2550 | 1 |
| 4 | D018 8604 | Model Name Plate: NSA: 2550 | 1 |
| 4 | D018 8605 | Model Name Plate: REX: 2550 | 1 |
| 4 | D018 8606 | Model Name Plate: GES: 2550: EU | 1 |
| 4 | D018 8607 | Model Name Plate: GES: 2550 | 1 |
| 4 | D018 8608 | Model Name Plate: INF: 2550 | 1 |
| 4 | D019 8600 | Model Name Plate: RIC: 3350B | 1 |
| 4 | D019 8601 | Model Name Plate: SVN: 9033B | 1 |
| 4 | D019 8602 | Model Name Plate: LAN: LD433B | 1 |
| 4 | D019 8603 | Model Name Plate: LAN: 3350B | 1 |
| 4 | D019 8604 | Model Name Plate: NSA: 3350B | 1 |
| 4 | D019 8605 | Model Name Plate: REX: 3350B | 1 |
| 4 | D019 8606 | Model Name Plate: GES: 3350B: EU | 1 |
| 4 | D019 8607 | Model Name Plate: GES: 3350B | 1 |
| 4 | D019 8608 | Model Name Plate: INF: 3350B | 1 |
| 4 | D019 8609 | Model Name Plate: RIC: 3391 | 1 |
| 4 | D019 8610 | Model Name Plate: GES: 3391 | 1 |
| 4 | D020 8600 | Model Name Plate: RIC: 3350 | 1 |

| Index No. | Part No. | Description | Q'ty Per Assembly |
|-----------|-----------|-----------------------------------|-------------------|
| 4 | D020 8601 | Model Name Plate: SVN: 9033 | 1 |
| 4 | D020 8602 | Model Name Plate: LAN: LD433 | 1 |
| 4 | D020 8603 | Model Name Plate: LAN: 3350 | 1 |
| 4 | D020 8604 | Model Name Plate: NSA: 3350 | 1 |
| 4 | D020 8605 | Model Name Plate: REX: 3350 | 1 |
| 4 | D020 8606 | Model Name Plate: GES: 3350: EU | 1 |
| 4 | D020 8607 | Model Name Plate: GES: 3350 | 1 |
| 4 | D020 8608 | Model Name Plate: INF: 3350 | 1 |
| 4 | D084 8600 | Sheet: EMBLEM: 28: RIC (D084) | 1 |
| 4 | D084 8604 | Sheet: EMBLEM: 28: NAS (D084) | 1 |
| 4 | D084 8605 | Sheet: EMBLEM: 28: REX (D084) | 1 |
| 4 | D084 8606 | Sheet: EMBLEM: 28: GES: EU (D084) | 1 |
| 4 | D084 8607 | Sheet: EMBLEM: 28: GES: NA (D084) | 1 |
| 4 | D084 8608 | Sheet: EMBLEM: 28: INF (D084) | 1 |
| 4 | D085 8600 | Sheet: EMBLEM: 33: RIC (D085) | 1 |
| 5 | D085 8604 | Sheet: EMBLEM: 33: NAS (D085) | 1 |
| 5 | D085 8605 | Sheet: EMBLEM: 33: REX (D085) | 1 |
| 5 | D085 8606 | Sheet: EMBLEM: 33: GES: EU (D085) | 1 |
| 5 | D085 8607 | Sheet: EMBLEM: 33: GES: NA (D085) | 1 |
| 5 | D085 8608 | Sheet: EMBLEM: 33: INF (D085) | 1 |
| 5 | B090 1302 | Cover: Main Switch | 1 |
| 6 | D019 1261 | Front Door - NA | 1 |
| 6 | D019 1266 | Front Door - EU | 1 |
| 7 | A267 1342 | Shield Duct | 1 |
| 8 | D019 1349 | End Fence - Paper | 1 |
| 9 | D019 1348 | Support Tray - Paper Exit | 1 |
| 10 | D019 1343 | Exit Cover | 1 |
| 10 | D019 1361 | Exit Cover EU | 1 |
| 11 | B132 1531 | Panel: Logo | 1 |
| 12 | B132 1573 | Decal - Power Source: Off | 1 |
| 12 | B132 1572 | Decal: Power Source: Off: DOM | 1 |
| 13 | AG07 0504 | Magnet Catch: 44.1N | 2 |
| 14 | D019 1330 | Front Cover | 1 |
| 15 | D019 1268 | Sheet: Operation Instructions | 1 |
| 16 | B090 1265 | Cover: Shield Glass: C | 1 |

| Index No. | Part No. | Description | Q'ty Per Assembly |
|-----------|-----------|---|-------------------|
| 17 | D019 1308 | Upper Cover - Paper Exit NA | 1 |
| 17 | D019 1328 | Upper Exit Cover - EU | 1 |
| 18 | A267 1325 | Cap - LED | 1 |
| 19 | D019 1326 | Front Cover - Right Upper NA | 1 |
| 19 | D019 1329 | Front Cover - Right Upper EU | 1 |
| 20 | B205 0151 | PCU Unit | 1 |
| 21 | D019 1099 | Guide Plate: Scanner: Packing | 1 |
| 22 | B065 1371 | Cloth Holder | 1 |
| 23 | B065 1374 | Cloth - DF Exposure Glass | 1 |
| 24 | B238 2524 | Decal - Paper Size | 1 |
| 25 | D376 7901 | Seal: Caution: 18Languages (D084/D085) | 1 |
| 25 | D376 7905 | Sheet: EULA: 18Languages: CHN (D084/D085) | 1 |
| 26 | D019 1321 | Cover: Front: Right Upper: NA | 1 |
| 26 | D019 1322 | Front Cover - Right Upper EU | 1 |

| Index No. | Part No. | Description | Q'ty Per Assembly |
|-----------|------------|-----------------------|-------------------|
| 101 | 0450 3008N | Tapping Screw - M3x8 | |
| 102 | 0451 3008N | Tapping Screw - M3x8 | |
| 103 | 0450 3010N | Tapping Screw - M3x10 | |
| 104 | 0434 0082N | Tapping Screw - M4x8 | |

2.Exterior 2 (D017/D018/D019/D020/D084/D085)



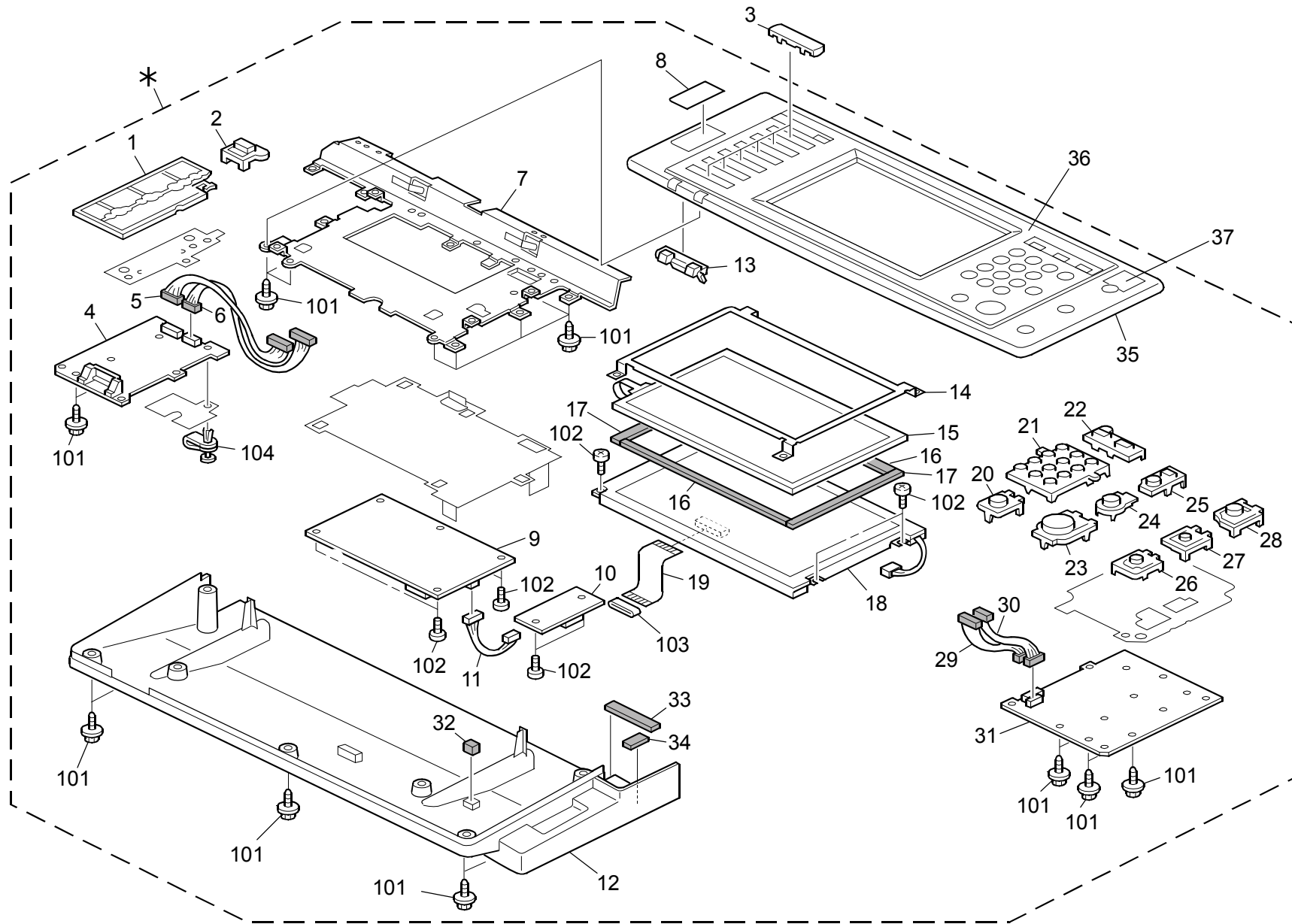
2.Exterior 2 (D017/D018/D019/D020/D084/D085)

| Index No. | Part No. | Description | Q'ty Per Assembly |
|-----------|-----------|------------------------------------|-------------------|
| 1 | D019 1283 | Left Upper Cover - NA | 1 |
| 1 | D019 1357 | Left Upper Cover - EU | 1 |
| 2 | D019 1285 | Left Rear - NA | 1 |
| 2 | D019 1359 | Left Rear Cover - EU | 1 |
| 2 | D019 1282 | Cover: Left Rear: MONO | 1 |
| 2 | D019 1379 | Cover: Left Rear: EU: Color | 1 |
| 3 | D019 1284 | Left Cover - NA | 1 |
| 3 | D019 1358 | Left Cover - EU | 1 |
| 4 | D019 1307 | Rear Cover - Paper Exit NA | 1 |
| 4 | D019 1327 | Rear Exit Cover - EU | 1 |
| 5 | D019 1346 | Lower Cover - Paper Exit | 1 |
| 5 | D019 1347 | Lower Exit Cover - EU | 1 |
| 6 | D019 1279 | Right Front Cover - NA | 1 |
| 6 | D019 1356 | Right Front Cover - EU | 1 |
| 7 | D019 1278 | Right Rear Cover - NA | 1 |
| 7 | D019 1355 | Right Rear Cover - EU | 1 |
| 8 | D019 1371 | Connector Cap - Vertical Transport | 1 |
| 9 | D019 1277 | Right Cover - NA | 1 |
| 9 | D019 1354 | Right Cover - EU | 1 |
| 10 | B090 1375 | Cap: Heater: Dehumidifier | 1 |
| 11 | B039 1367 | Rivet - M6 | 1 |
| 12 | D019 1296 | Right Rear Cover | 1 |
| 12 | D019 1393 | Right Rear Cover - Lower EU | 1 |
| 13 | D019 1365 | CAP: 38x77 | 1 |
| | B024 1365 | O/O (200906 PCIL) | |
| 14 | D019 1294 | Rear Cover | 1 |
| 14 | D019 1390 | Rear Cover - EU | 1 |
| 15 | D019 1376 | Cap - Paper Feed Table NA | 1 |
| 15 | D019 1378 | Cap - Paper Feed Table EU | 1 |
| 16 | D019 1254 | Left Scanner Cover - NA | 1 |
| 16 | D019 1350 | Left Scanner Cover - EU | 1 |
| 17 | D019 1257 | Cover: Scanner: Front Upper: NA | 1 |
| 17 | D019 1353 | Front Scanner Cover - EU | 1 |
| 18 | D019 1256 | Upper Scanner Cover - Front NA | 1 |
| 18 | D019 1352 | Right Scanner Cover - EU | 1 |

| Index No. | Part No. | Description | Q'ty Per Assembly |
|-----------|------------|--------------------------------------|-------------------|
| 19 | D019 1255 | Upper Scanner Cover - Rear NA | 1 |
| 19 | D019 1351 | Rear Scanner Cover - EU | 1 |
| 19 | B237 1367 | Scanner Cover - Rear EU | 1 |
| 20 | D019 1296 | Cover: Paper Feed Sub-Unit: Rear | 1 |
| 20 | D019 1393 | Cover: Paper Feed Sub-Unit: Rear: EU | 1 |
| 21 | D019 1295 | Right Rear Cover - Lower Only NA | 1 |
| 21 | D019 1391 | Right Rear Cover - Lower Only EU | 1 |
| 22 | D019 1077 | Bracket: Scanning: Rear Left | 1 |
| 23 | D019 1087 | Bracket: Scanning: Front Left | 1 |
| 24 | D019 1095 | Bracket: Scanning: Front Right | 1 |
| 25 | D019 1098 | Bracket: Scanning: Rear Right | 1 |
| 101 | 0451 3008N | Tapping Screw - M3x8 | |
| 102 | 0353 0050N | Screw-M3x5 | |
| 103 | 0450 3010N | Tapping Screw - M3x10 | |

3.Operation Panel (D017/D018/D019/D020/D084/D085)

Rev. 09/02/2010



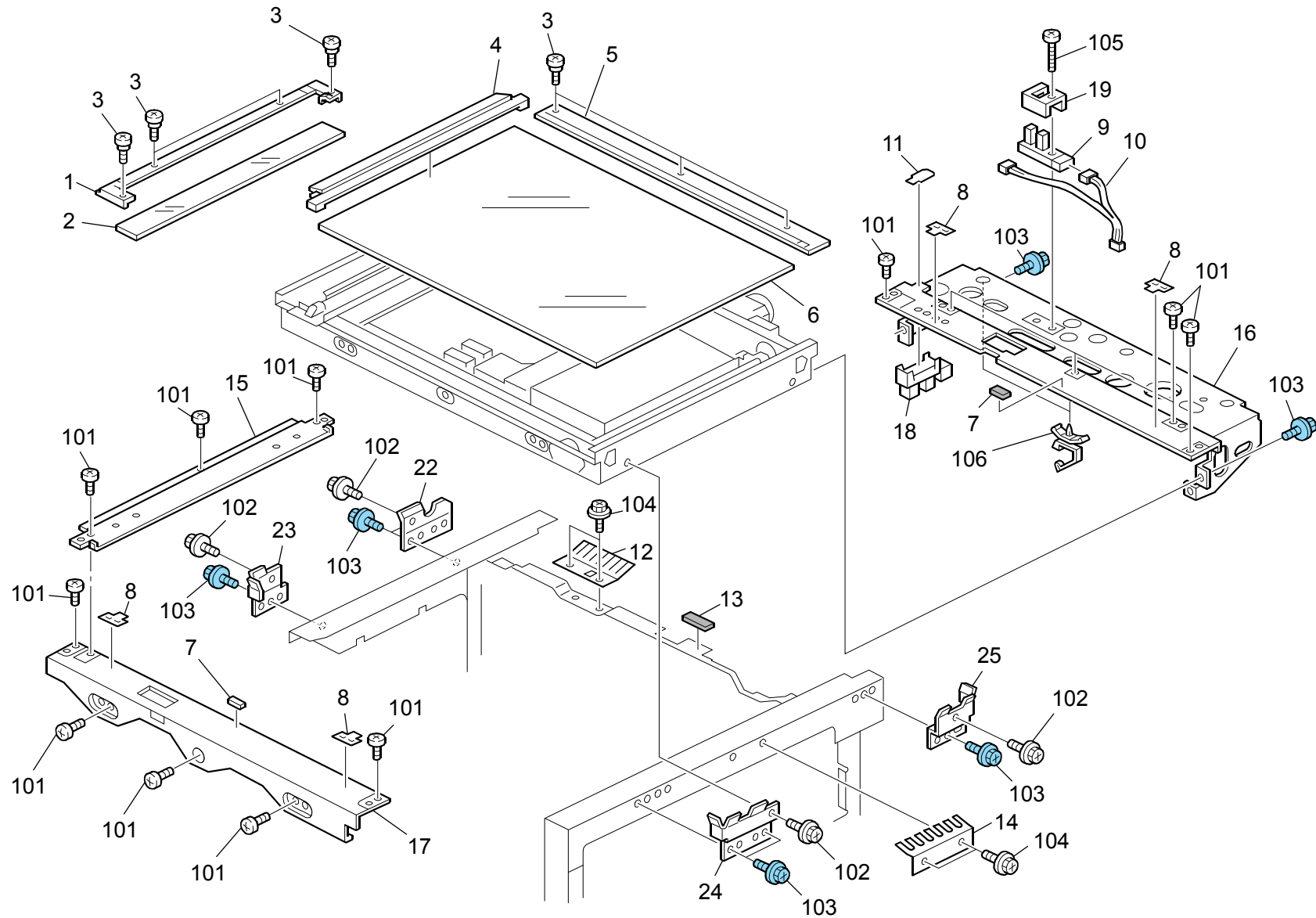
3.Operation Panel (D017/D018/D019/D020/D084/D085)

Rev. 4/14/2011

| Index No. | Part No. | Description | Q'ty Per Assembly |
|-----------|-----------|--------------------------------------|-------------------|
| * | D019 1441 | Operation Sub-Unit: RU-C5: NA: Ass'y | 1 |
| * | D019 1442 | Operation Sub-Unit: RU-C5: EU: Ass'y | 1 |
| * | D019 1443 | Operation Panel - TWN/AA | 1 |
| 1 | B238 1547 | Spacer - Keytop | 1 |
| 2 | B238 1511 | Keytop - Counter | 1 |
| 3 | B223 1518 | Keytop - Blank FB | 6 |
| 3 | B223 1528 | Keytop - Copy NA | 1 |
| 3 | B223 1529 | Keytop - Doc NA | 1 |
| 3 | B223 1531 | Keytop: Printer: NA | 1 |
| 3 | B223 1532 | Keytop: Scanner: NA | 1 |
| 3 | B223 1533 | Keytop: Function: NA (D084/D085) | 1 |
| 3 | B223 1534 | Keytop: Copy: EU | 1 |
| 3 | B223 1535 | Keytop: DOC: EU | 1 |
| 3 | B223 1537 | Keytop: Printer: EU | 1 |
| 3 | B223 1538 | Keytop: Scanner: EU | 1 |
| 3 | B223 1539 | Keytop: Function: EU (D084/D085) | 1 |
| 4 | B223 1497 | PCB: APC1: OP-L: Sub-Ass'y | 1 |
| 5 | D009 1480 | Harness: OP-R: 10 | 1 |
| 6 | D009 1481 | Harness: OP-R: 13 | 1 |
| 7 | D019 1505 | Bracket - LCDC Board | 1 |
| 8 | B238 1540 | Sheet: Data: Display: NA | 1 |
| 9 | D019 1481 | LCDC Board - NA | 1 |
| 9 | D019 1482 | LCDC Board - EU | 1 |
| 9 | D019 1463 | LCDC Board - TWN/AA | 1 |
| 10 | D009 1486 | Inverter: TFT | 1 |
| 11 | D009 1484 | Harness: Inverter | 1 |
| 12 | D019 1502 | Lower Cover - Operation Panel | 1 |
| 13 | B238 1519 | Lens - Front | 1 |
| 14 | D009 1504 | Shading Plate: Touch Panel | 5 |
| 15 | D009 1488 | Touch Panel: W-VGA: MA | 1 |
| 16 | B238 1534 | LCD Spacer A | 1 |
| 17 | B238 1535 | LCD Spacer B | 1 |
| 18 | D009 1498 | LCD: TFT: W-VGA: MV | 1 |
| 19 | D009 1487 | Cable: FFC: TFT: LCD | 1 |
| 20 | B223 1520 | Keytop - Clear/Stop | 1 |

| Index No. | Part No. | Description | Q'ty Per Assembly |
|-----------|------------|---|-------------------|
| 21 | B223 1540 | Keytop: 10Key: NA | 1 |
| 21 | B223 1521 | Keytop: 10Key | 1 |
| 21 | B223 1541 | Keytop - 10Key AA | 1 |
| 22 | B238 1583 | Keytop - Clear Modes | 1 |
| 23 | B238 1504 | Keytop - Start | 2 |
| 24 | B238 1506 | Keytop - Try Print | 2 |
| 25 | B238 1509 | Keytop - Interrupt | 1 |
| 26 | B238 1552 | Keytop - Kantan | 1 |
| 27 | B238 1550 | Keytop - Login | 1 |
| 28 | B238 1549 | Keytop - Power Source | 1 |
| 29 | D009 1483 | Harness: OP-L: 13 | 1 |
| 30 | D009 1482 | Harness: OP-L: 12 | 1 |
| 31 | D009 1470 | PCB: OP-R | 1 |
| 32 | D019 1522 | Cushion Operation Sub Unit: Front | 1 |
| 33 | D019 1520 | Seal Operation Sub Unit: A | 1 |
| 34 | D019 1521 | Seal Operation Sub Unit: B | 1 |
| 35 | D009 1501 | Cover: Upper | 1 |
| 35 | D009 1551 | Cover: Upper: NA | 1 |
| 36 | D009 1556 | Panel: Upper: NA [TSB#002] | 1 |
| 36 | D009 1557 | Panel: Upper: EU [TSB#002] | 1 |
| 37 | B238 1539 | Sheet: Power Source: Display: NA [TSB#002] | 1 |
| 37 | B286 1479 | Sheet: Power Source: B286: EU [TSB#002] | 1 |
| 101 | 0450 3010N | Tapping Screw - M3x10 | |
| 102 | 0353 0060N | Bind Screw - M3x6 | |
| 103 | 1607 2053 | Ferrite Core: E04FG210810 | |
| 104 | 1105 0032 | Clamp | |

4.Scanner Section 1 (D017/D018/D019/D020/D084/D085)

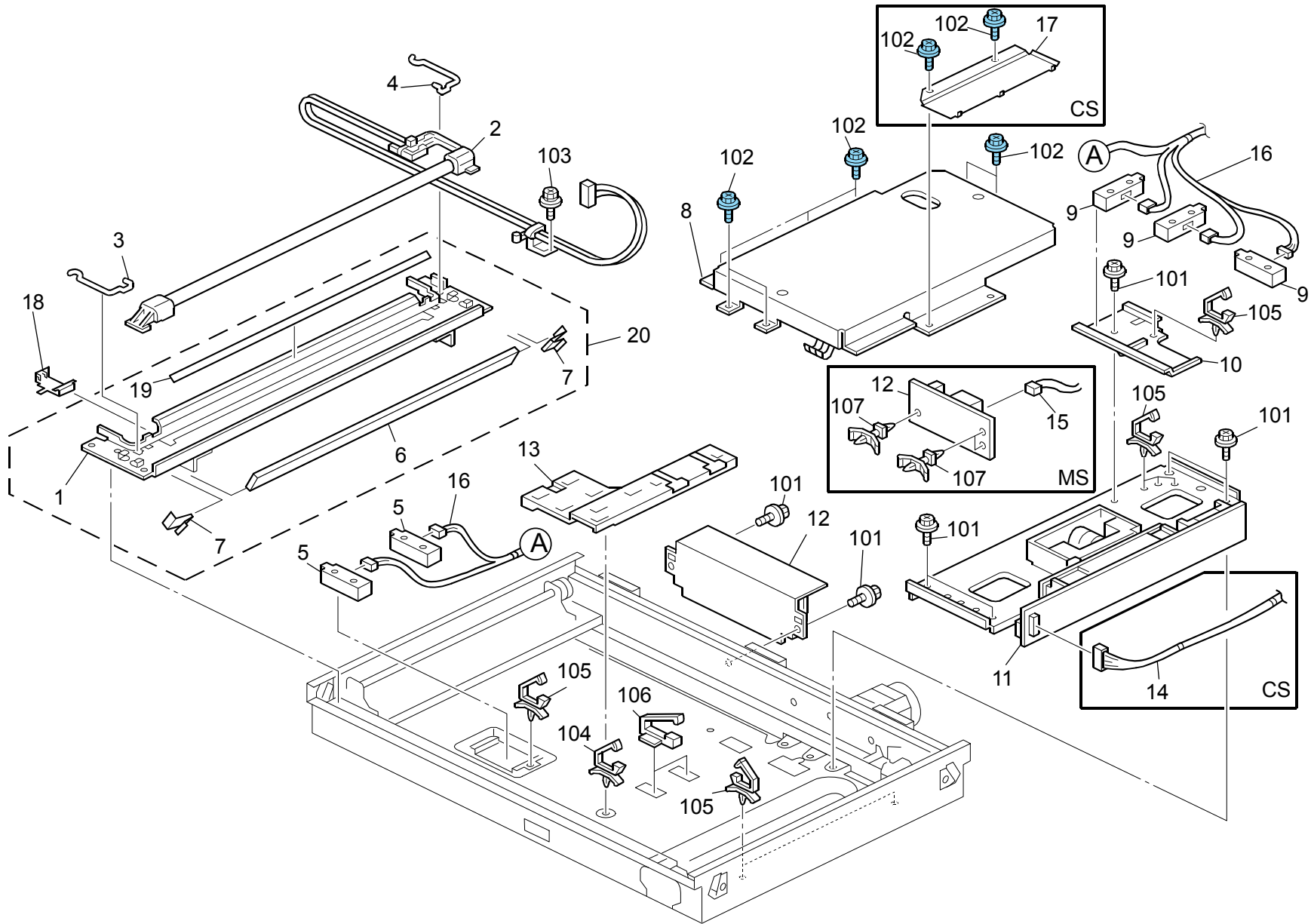


4. Scanner Section 1 (D017/D018/D019/D020/D084/D085)

| Index No. | Part No. | Description | Q'ty Per Assembly |
|-----------|-----------|-------------------------------------|-------------------|
| 1 | D019 1801 | Scale: Left: A | 1 |
| 1 | B238 1801 | Scale - Left (A) | 1 |
| 2 | B238 1795 | Exposure Glass | 1 |
| 3 | B390 1759 | Shaft: Scale | 7 |
| 4 | D019 1713 | Scale: Left: B: NA: Ass'y | 1 |
| 4 | D019 1723 | Scale: Left: B: Ass'y | 1 |
| 4 | B237 1713 | Scale - Left B NA | 1 |
| 4 | B238 1713 | Scale - Left (B) | 1 |
| 5 | D019 1751 | Rear Scale | 1 |
| 5 | B229 1751 | Scale - Inner Back | 1 |
| 6 | A250 1752 | Exposure Glass | 1 |
| 7 | 5442 1924 | Exposure Glass Cushion | 2 |
| 7 | B093 1862 | Cushion Glass | 2 |
| 8 | B238 1845 | Seal: Exposure Glass | 4 |
| 9 | AW02 0146 | Photointerruptor: Flat: PICH2mm: M4 | 1 |
| 10 | D019 5250 | Harness - Home Position Sensor | 1 |
| 10 | D020 5212 | Harness: BCU: HPS/AKS: 5V | 1 |
| 11 | G570 1225 | Sensor Shielding Plate | 1 |
| 12 | A267 1089 | Grounding Plate - Upper Rear | 1 |
| 13 | D019 5849 | Gasket | 1 |
| 14 | A267 1090 | Grounding Plate - Lower Right | 1 |
| 15 | D019 1803 | Bracket: Document Feeder | 1 |
| 15 | B238 1692 | Bracket: Scale: Left: Ass'y | 1 |
| 16 | D019 1785 | Frame: Rear (MS models) | 1 |
| 16 | B238 1785 | Frame: Rear (CS models) | 1 |
| 17 | B238 1784 | Frame: Front | 1 |
| 18 | AW02 0145 | Photointerruptor: Flat | 1 |
| 19 | D019 1789 | Cover: Sensor: AKS | 1 |

| Index No. | Part No. | Description | Q'ty Per Assembly |
|-----------|------------|----------------------------|-------------------|
| 101 | 0453 3006N | Tapping Screw - M3x6 | |
| 102 | 0451 3008N | Tapping Screw - M3x8 | |
| 103 | 0454 3006Q | Tapping Screw - M3x6 | |
| 104 | 0451 3006N | Tapping Screw - 3x6 | |
| 105 | 0314 0120N | Screw - M4x12 | |
| 106 | 1105 0511 | Harness Clamp - LWS-0306ZC | |

5.Scanner Section 2 (D017/D018/D019/D020/D084/D085)



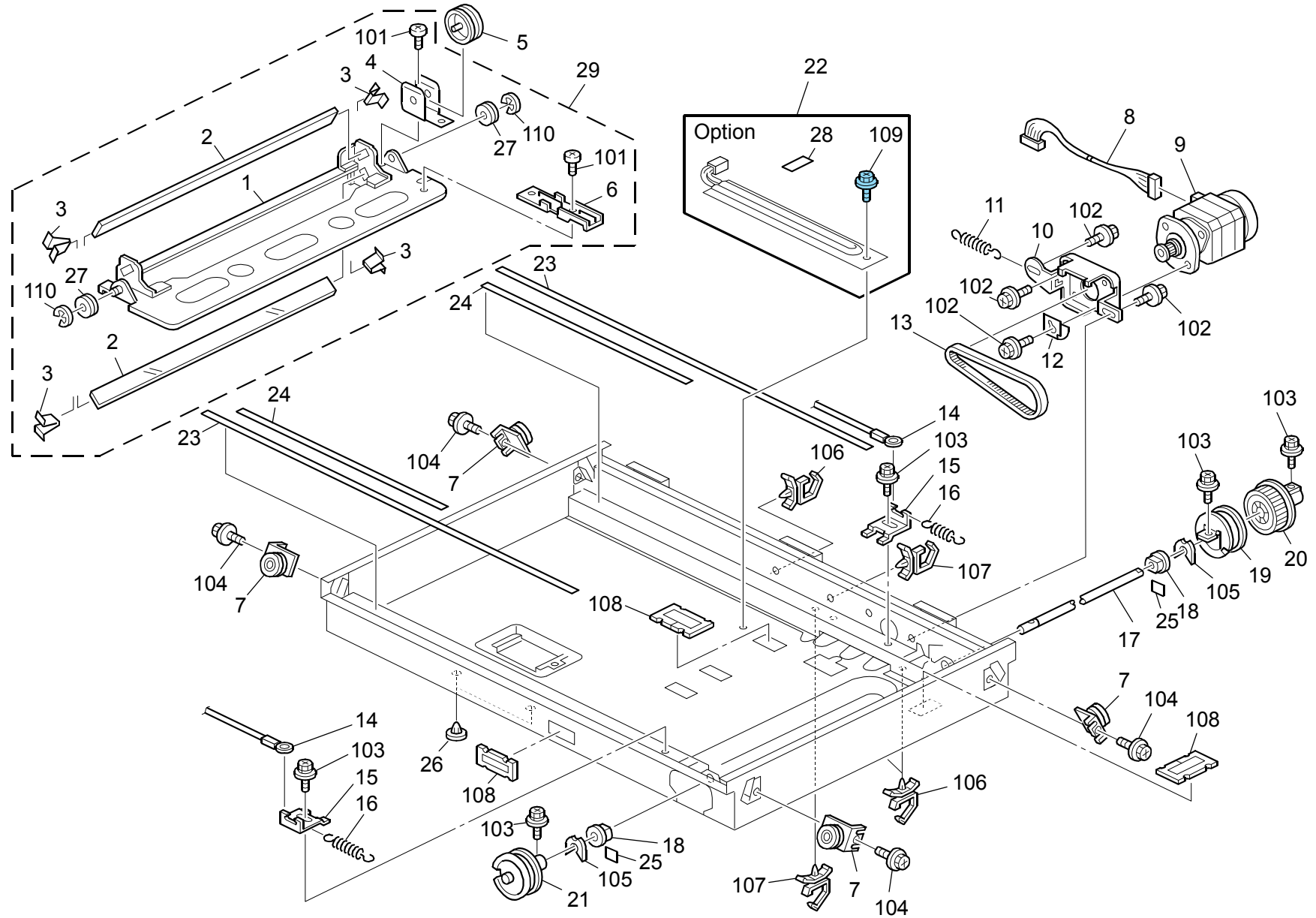
5.Scanner Section 2 (D017/D018/D019/D020/D084/D085)

Rev. 01/03/2011

| Index No. | Part No. | Description | Q'ty Per Assembly |
|-----------|-----------|-------------------------------|-------------------|
| 1 | D019 1817 | 1st Scanner Ass'y | 1 |
| 1 | B180 1817 | 1st Scanner Ass'y | 1 |
| 2 | D019 1830 | Xenon Lamp: Monochrome | 1 |
| 2 | B238 1820 | Xenon Lamp - DIA10 | 1 |
| 3 | A193 1766 | Wire Clamp | 1 |
| 4 | A193 1769 | Clamp - Rear Wire | 1 |
| 5 | AW01 0133 | Original Sensor - 66mm | 2 |
| 6 | AC03 0142 | 1st Mirror (MS model) | 1 |
| 6 | AC03 0169 | Mirror: No.1 (CS model) | 1 |
| 7 | M026 1815 | Clamp: Mirror: No.1 | 2 |
| 8 | D019 1823 | Inner Cover - Scanner (mono) | 1 |
| 8 | B238 1823 | Inner Cover - Scanner (color) | 1 |
| 9 | AW01 0134 | Original Sensor - 48mm | 3 |
| 10 | D019 1827 | Bracket: Original Sensor | 1 |
| 10 | B238 1827 | Original Sensor Bracket | 1 |
| 11 | D019 1703 | Lens Unit (Mono) | 1 |
| 11 | D020 1703 | Lens Unit (Color) | 1 |
| 12 | AZ50 0068 | Stabilizer: Xenon Lamp | 1 |
| 12 | B238 1821 | Stabilizer | 1 |
| 13 | D019 1753 | Harness Cover | 1 |
| 13 | B238 1753 | Inner Cover - Sensor | 1 |
| 14 | D019 5245 | Harness - SBU MS | 1 |
| 14 | B238 5345 | Scanner Interface Cable | 1 |
| 15 | D019 5252 | Harness - Exposure Lamp MS | 1 |
| 15 | D025 5214 | Harness: SIO: LAMP | 1 |
| 16 | D019 5230 | Harness - APS MS | 1 |
| 16 | B238 5367 | Harness - APS | 1 |
| 17 | B238 5344 | SBU Ground Plate | 1 |
| 18 | B238 1812 | Ground Plate - Carriage | 1 |
| 19 | A100 1714 | Reflector | 1 |
| 20 | B238 1676 | Carriage: No.1: Ass'y | 1 |

| Index No. | Part No. | Description | Q'ty Per Assembly |
|-----------|------------|----------------------------|-------------------|
| 101 | 0451 3006N | Tapping Screw - 3x6 | |
| 102 | 0454 3006Q | Tapping Screw - M3x6 | |
| 103 | 0802 5299 | Tapping Screw - M3x8 | |
| 104 | 1105 0516 | Clamp | |
| 105 | 1105 0511 | Harness Clamp - LWS-0306ZC | |
| 106 | 1105 0622 | Clamp - JCC-1R | |
| 107 | 1105 0195 | PCB Stud | |

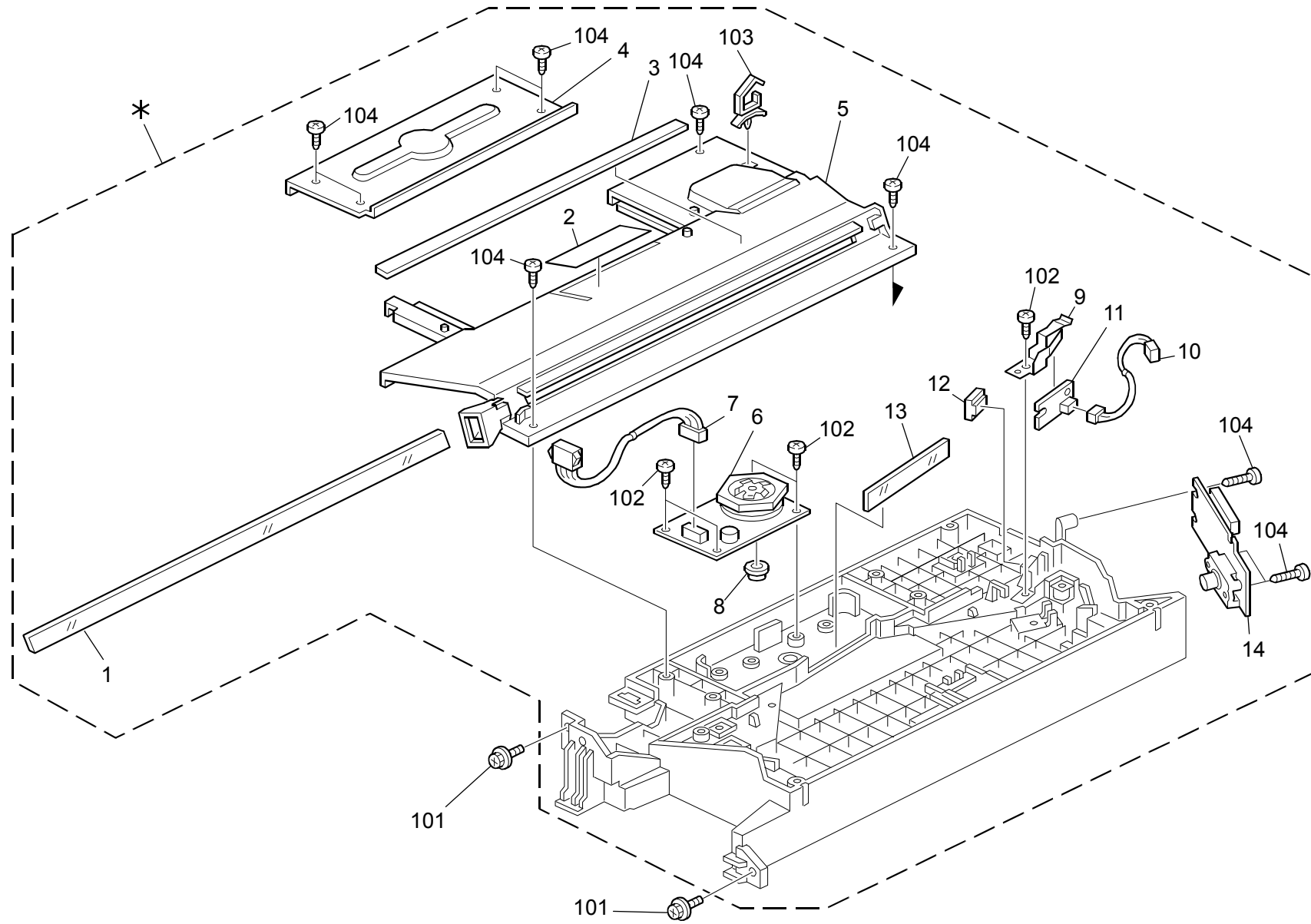
6.Scanner Section 3 (D017/D018/D019/D020/D084/D085)



6.Scanner Section 3 (D017/D018/D019/D020/D084/D085)

| Index No. | Part No. | Description | Q'ty Per Assembly | Index No. | Part No. | Description | Q'ty Per Assembly |
|-----------|-----------|--------------------------------------|-------------------|-----------|------------|----------------------|-------------------|
| 1 | D019 1689 | 2nd Scanner Ass'y (mono) | 1 | | | | |
| 1 | B238 1689 | 2nd Scanner Ass'y (color) | 1 | | | | |
| 2 | AC03 0162 | Mirror No.2 | 2 | | | | |
| 3 | G404 2810 | Spring Plate - 2nd Mirror | 4 | | | | |
| 4 | G570 2833 | Pulley Holder | 1 | | | | |
| 5 | G570 2834 | Pulley - High Voltage Supply Cord | 1 | | | | |
| 6 | G570 2832 | Guide - High Voltage Supply Cord | 1 | | | | |
| 7 | B238 1806 | Idler Pulley | 4 | | | | |
| 8 | D019 5249 | Harness - Scanner Motor | 1 | | | | |
| 8 | B238 5371 | Harness - STM | 1 | | | | |
| 9 | B238 1715 | Stepper Motor DC3.9V | 1 | | | | |
| 10 | D019 1788 | Bracket - Scanner Drive Motor | 1 | | | | |
| 10 | B238 1788 | Stepper Motor Bracket | 1 | | | | |
| 11 | AA06 0979 | Tension Spring: Tension: 14720mN | 1 | | | | |
| 12 | B238 1762 | Ground Plate - Stepper Motor | 1 | | | | |
| 13 | B238 1792 | Timing Belt - 157ST1.5-4.0 | 1 | | | | |
| 14 | B238 1787 | Drive Were | 2 | | | | |
| 15 | B180 1704 | Bracket: Tension (MS model) | 2 | | | | |
| 15 | D019 1704 | Bracket: Tension (CS model) | 2 | | | | |
| 16 | AA06 0980 | Tension Spring: Tension: 11300mN | 2 | | | | |
| 17 | B238 1786 | Scanner Drive Shaft | 1 | | | | |
| 18 | AA08 2144 | Bushing - 8x12x7 | 2 | | | | |
| 19 | B238 1814 | Pulley: Drive Were: Rear: SUB-Ass'y | 1 | | | | |
| 20 | G570 1133 | Timing Pulley 73 | 1 | 101 | 0353 0050N | Screw-M3x5 | |
| 21 | B238 1816 | Pulley: Drive Were: Front: SUB-Ass'y | 1 | 102 | 0451 3006N | Tapping Screw - 3x6 | |
| 22 | D019 8464 | Heater: Scanner: NA: Ass'y | 1 | 103 | 0802 5299 | Tapping Screw - M3x8 | |
| 22 | D019 8466 | Heater: Scanner: EU: Ass'y | 1 | 104 | 0451 3008N | Tapping Screw - M3x8 | |
| 23 | A193 1816 | 1st Slide Rail | 2 | 105 | 0805 0088 | Retaining Ring - M6 | |
| 24 | B180 1734 | Slide Rail: No.2 | 2 | 106 | 1105 0516 | Clamp | |
| 25 | B238 1793 | Bushing Spacer | 2 | 107 | 1105 0487 | Harness Clamp | |
| 26 | B238 1796 | Hall Plug | 2 | 108 | 1105 0621 | Clamp - SB-2712 | |
| 27 | B238 1807 | Pulley | 2 | 109 | 0454 3006Q | Tapping Screw - M3x6 | |
| 28 | D010 7450 | Main Switch Decal - NA | 1 | 110 | 0720 0040E | Retaining Ring - M4 | |
| 28 | D010 7451 | Main Switch Decal - EU | 1 | | | | |
| 29 | B238 1688 | Carriage Unit No.2 | 1 | | | | |

7.Laser Unit (D017/D018/D019/D020/D084/D085)

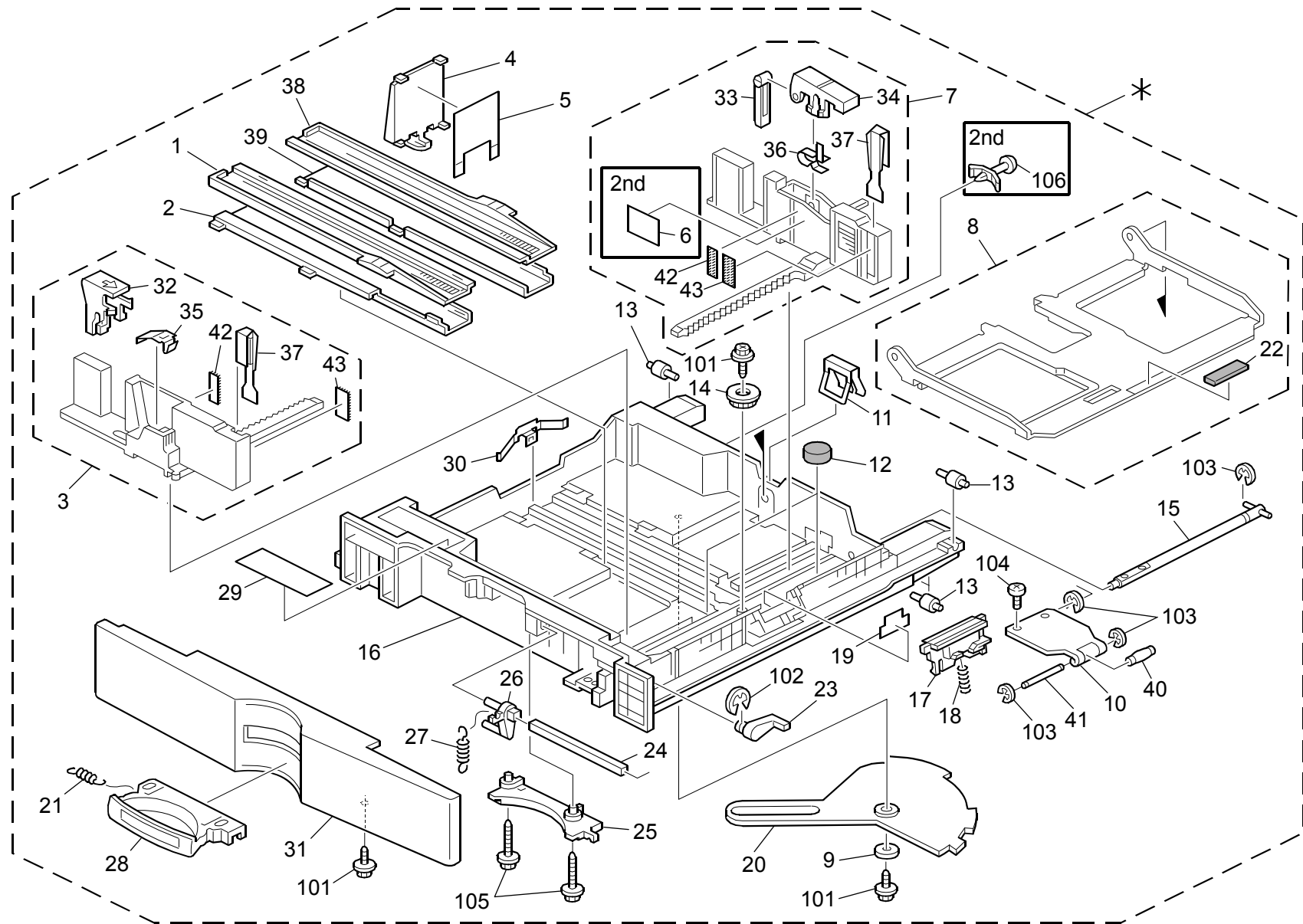


7.Laser Unit (D017/D018/D019/D020/D084/D085)

| Index No. | Part No. | Description | Q'ty Per Assembly |
|-----------|------------|---------------------------------------|-------------------|
| * | D019 1900 | Imaging Unit | 1 |
| 1 | B206 1977 | Shield Glass | 1 |
| 2 | G029 1980 | Decal - LD | 1 |
| 3 | B206 1971 | Supporting Plate: Cover: Imaging Unit | 1 |
| 4 | B090 1917 | Cover: Polygon Scanner: Ass'y | 1 |
| 5 | B090 1938 | Cover: Optical Housing | 1 |
| 6 | B209 1898 | Polygon Mirror Motor | 1 |
| 7 | D019 5224 | Harness - Polygon Mirror Motor | 1 |
| 8 | A232 1916 | Collar-polygon Motor | 1 |
| 9 | A267 1944 | Plate - Sync. Detector Board | 1 |
| 10 | D019 5222 | Harness - Sync Detector | 1 |
| 11 | D009 5325 | Sync. Detector Board | 1 |
| 12 | G029 1975 | Cylindrical Lens | 1 |
| 13 | G020 1937 | Shield Glass - Polygon Mirror Motor | 1 |
| 14 | D019 1919 | Laser Diode Unit | 1 |
| 101 | 0451 3008N | Tapping Screw - M3x8 | |

| Index No. | Part No. | Description | Q'ty Per Assembly |
|-----------|------------|----------------------------------|-------------------|
| 102 | 0452 3008N | Tapping Screw - M3x8 | |
| 103 | 1105 0508 | Harness Clamp - LWS-0711 | |
| 104 | 0452 3010N | Binding Self-Tapping Screw: 3x10 | |

8. Paper Tray (D017/D018/D019/D020/D084/D085)



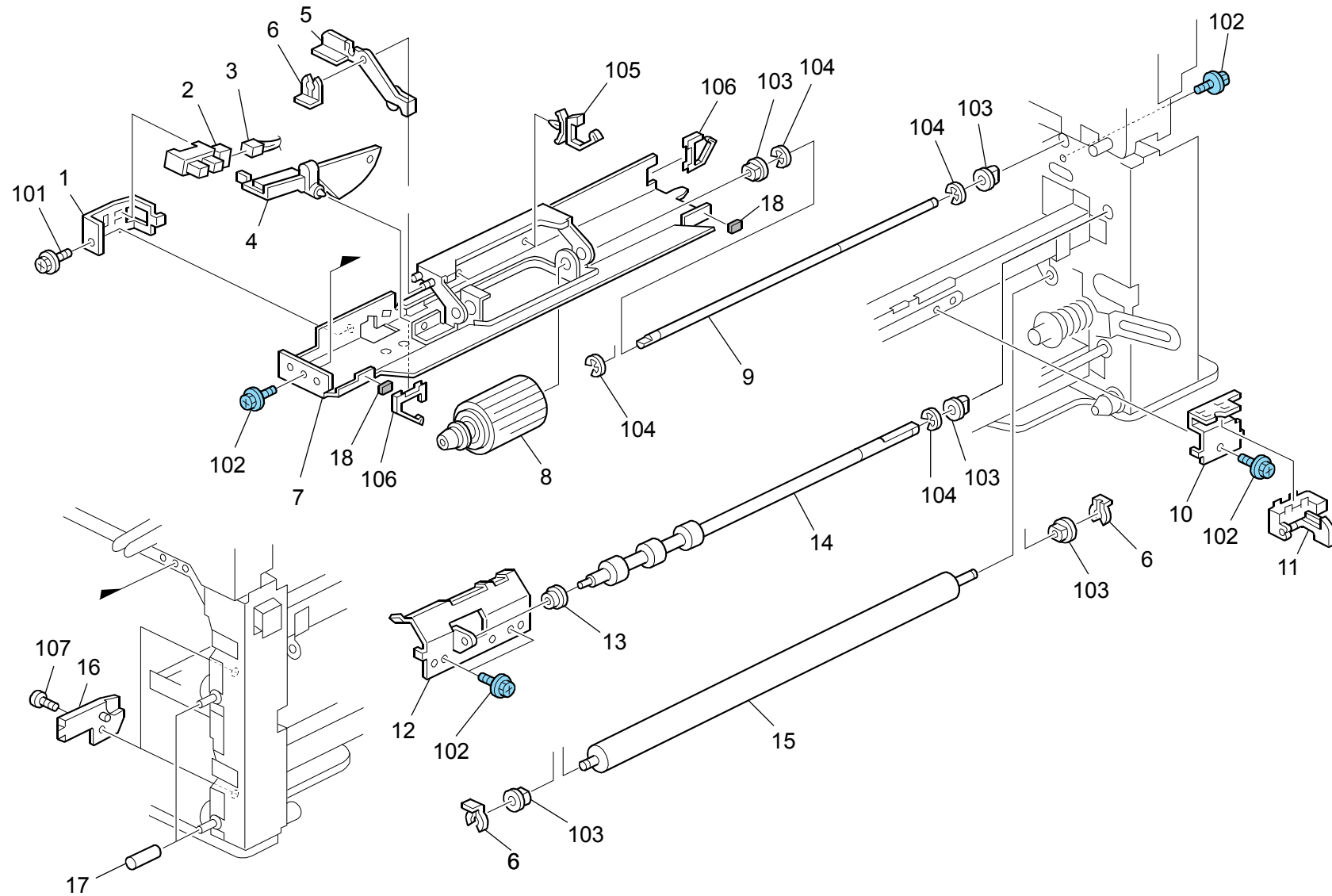
8.Paper Tray (D017/D018/D019/D020/D084/D085)

Rev. 05/26/2010

| Index No. | Part No. | Description | Q'ty Per Assembly |
|-----------|------------------|--------------------------------|-------------------|
| * | D019 2538 | 1st Paper Tray Ass'y | 1 |
| * | D019 2539 | 2nd Paper Tray Ass'y | 1 |
| 1 | D010 2867 | Font Slider - Upper | 1 |
| 2 | D010 2873 | Front Slider - Base | 1 |
| 3 | D010 2884 | Front Side Fence | 1 |
| 4 | D010 2853 | End Fence | 1 |
| 5 | D010 2900 | End Fence Seal | 1 |
| 6 | B027 7352 | Decal - Side Fence | 1 |
| 7 | D010 2885 | Rear Side Fence | 1 |
| 8 | D010 2861 | Tray Bottom Plate | 1 |
| 9 | D010 2550 | Spacer: Link | 1 |
| 10 | B090 2856 | Bracket: Rise | 1 |
| 11 | A267 2878 | Spring Plate - Grounding | 1 |
| 12 | A267 2899 | Sponge - Paper Feed Tray | 2 |
| 13 | B090 2987 | Roller: Paper Tray | 4 |
| 14 | B090 2869 | Gear - 16Z | 1 |
| 15 | D010 2854 | Shaft - Tray Bottom Plate | 1 |
| 16 | D010 2850 | Paper Tray | 1 |
| 17 | D010 2822 | Friction Pad | 1 |
| 18 | A267 2834 | Pressure Spring - Friction Pad | 1 |
| 19 | B091 2898 | Sheet: Holder: Paper Tray | 1 |
| 20 | D010 2870 | Link - Paper Size Sensor | 1 |
| 21 | D010 2956 | Tension Spring - Paper Tray | 1 |
| 22 | A267 2917 | Base Pad | 1 |
| 23 | D010 2864 | Release lever - Paper Tray | 1 |
| 24 | D331 2951 | Release Shaft - Paper Tray | 1 |
| 25 | D010 2955 | Grip Holder - Paper Tray | 1 |
| 26 | D010 2953 | Release Lever - Paper Tray | 1 |
| 27 | AA06 0900 | Spring | 1 |
| 28 | D010 2954 | Paper Tray Grip | 1 |
| 29 | D019 2892 | Decal: Paper Set Direction | 1 |
| 30 | D010 2875 | Spring Plate - Slider | 1 |
| 31 | D010 2958 | Paper Tray Cover | 1 |
| 32 | B090 2858 | Lever: Stopper: Front | 1 |
| 33 | B090 2859 | Stopper: Positioning | 1 |

| Index No. | Part No. | Description | Q'ty Per Assembly |
|-----------|------------|-----------------------------|-------------------|
| 34 | B090 2860 | Lever: Stopper: Positioning | 1 |
| 35 | G697 2677 | Spring Plate - Side Fence | 1 |
| 36 | A267 2857 | Spring Plate - Side Fence | 1 |
| 37 | D010 2897 | Side Fence Seal | 2 |
| 38 | D010 2866 | Rear slider - Upper | 1 |
| 39 | D010 2874 | Rear Slider - Base | 1 |
| 40 | B090 2864 | Roller: Bracket: Rise | 1 |
| 41 | A267 2865 | Shaft - Roller | 1 |
| 42 | D010 2901 | Pad: Side Fence: 5mm | 2 |
| 43 | D010 2902 | Pad: Side Fence: 8mm | 2 |
| 101 | 0450 4008N | Tapping Screw - M4x8 | |
| 102 | 0720 0080E | Retaining Ring - M8 | |
| 103 | 0720 0060E | Retaining Ring - M6 | |
| 104 | 0354 0060N | Screw-M4x6 | |
| 105 | 0450 3020N | Tapping Screw: M3x20 | |
| 106 | 1105 0415 | Clamp: Card Spacer(F2) | |

9.1st Paper Feed Section (D017/D018/D019/D020/D084/D085)

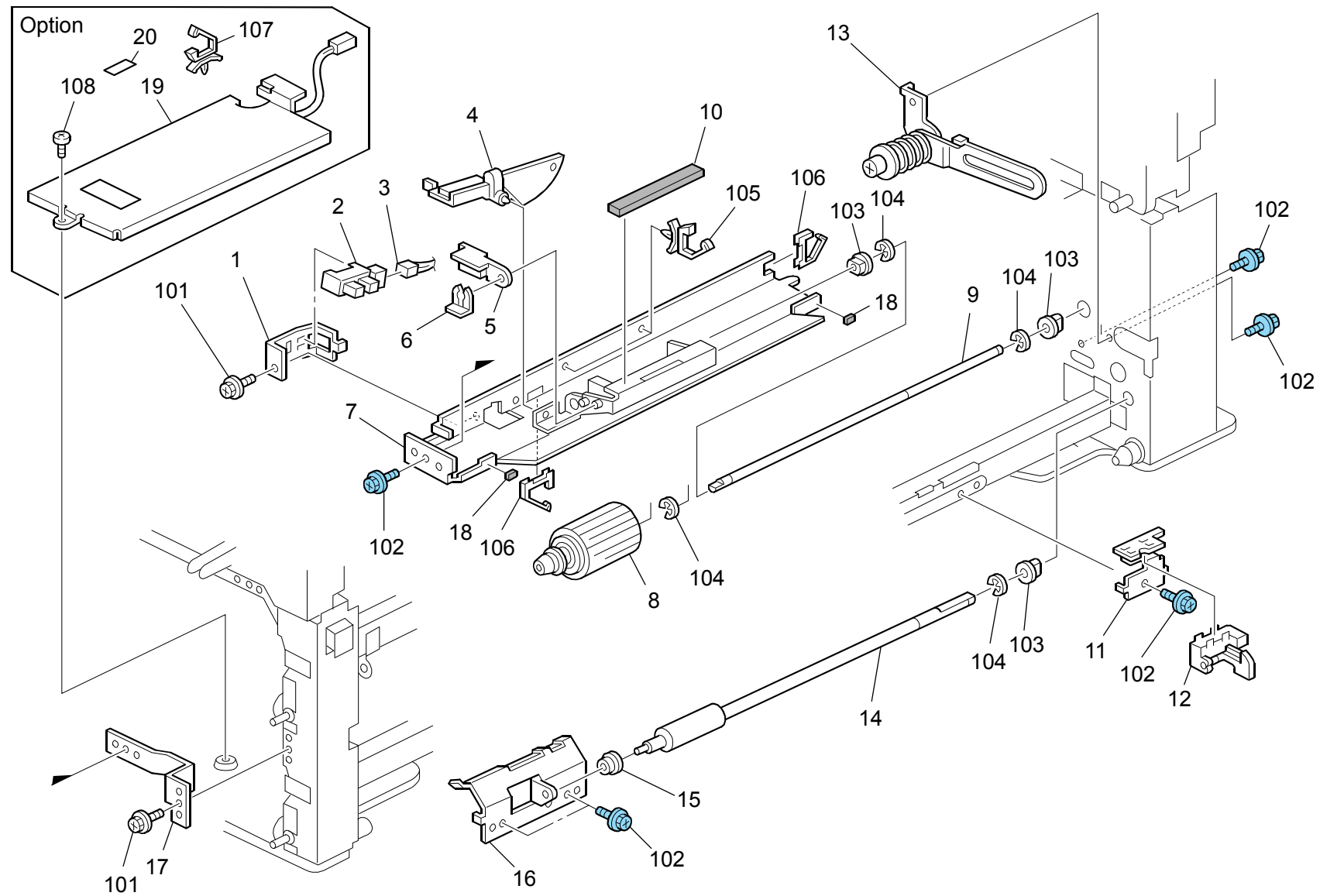


9.1st Paper Feed Section (D017/D018/D019/D020/D084/D085)

| Index No. | Part No. | Description | Q'ty Per Assembly |
|-----------|------------------|--------------------------------------|-------------------|
| 1 | B090 2805 | Bracket: Paper End Sensor | 1 |
| 2 | AW02 0141 | Photointerruptor | 1 |
| 3 | D019 5215 | Interface Harness - Paper End | 1 |
| 4 | A267 2803 | Feeler - Paper End Sensor | 1 |
| 5 | D019 2807 | Stopper - Paper Feed Roller | 1 |
| 6 | B090 2686 | Snap Ring | 3 |
| 7 | D019 2804 | Guide Plate - Paper Feed Roller 1 | 1 |
| 8 | A267 2751 | Paper Feed Roller | 1 |
| 9 | A267 2754 | Shaft - Paper Feed Roller | 1 |
| 10 | B090 2663 | Bracket: Photointerruptor | 1 |
| 11 | AW02 0173 | Photointerruptor: Vertical Transport | 1 |
| 12 | B206 2828 | Guide Plate: Friction Pad: Upper | 1 |
| 13 | AA08 0252 | Bushing - M4 | 1 |
| 14 | D019 2682 | Upper Drive Roller | 1 |
| 15 | B209 2665 | Roller: Sponge | 1 |
| 16 | D010 2640 | Spacer: Supporter: Right | 2 |
| 17 | B223 2714 | Positioning Cap - Short | 2 |
| 18 | AA16 1143 | Cushion - Link | 2 |

| Index No. | Part No. | Description | Q'ty Per Assembly |
|-----------|------------|----------------------------|-------------------|
| 101 | 0451 3006N | Tapping Screw - 3x6 | |
| 102 | 0454 3006Q | Tapping Screw - M3x6 | |
| 103 | 0805 3480 | Bushing - 6mm | |
| 104 | 0720 0040E | Retaining Ring - M4 | |
| 105 | 1105 0511 | Harness Clamp - LWS-0306ZC | |
| 106 | 1105 0522 | Edge Saddle - LES0510 | |
| 107 | 0453 3006N | Tapping Screw - M3x6 | |

10.2nd Paper Feed Section (D017/D018/D019/D020/D084/D085)

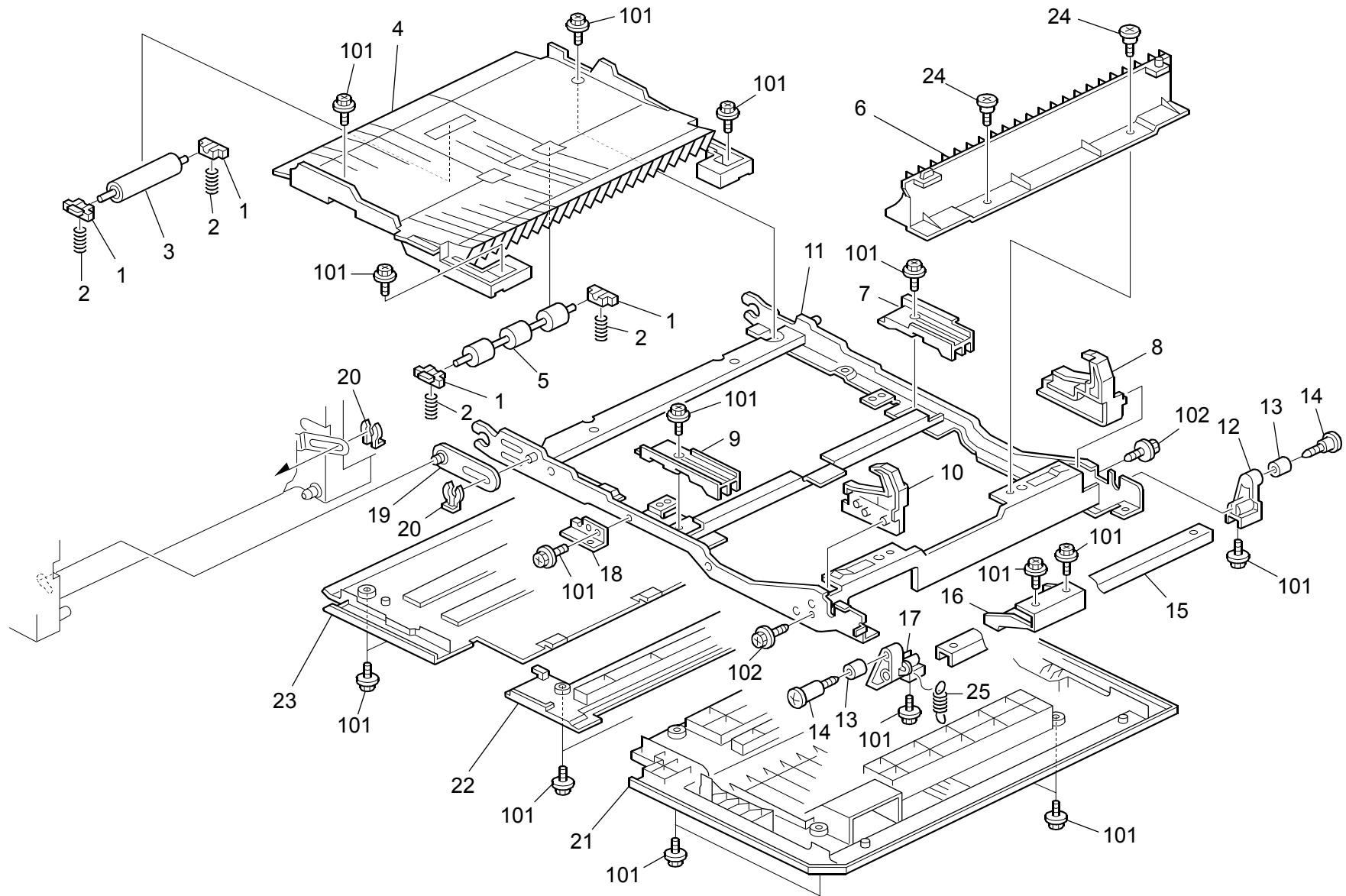


10.2nd Paper Feed Section (D017/D018/D019/D020/D084/D085)

| Index No. | Part No. | Description | Q'ty Per Assembly |
|-----------|------------------|---------------------------------------|-------------------|
| 1 | B090 2805 | Bracket: Paper End Sensor | 1 |
| 2 | AW02 0141 | Photointerruptor | 1 |
| 3 | D019 5215 | Interface Harness - Paper End | 1 |
| 4 | A267 2803 | Feeler - Paper End Sensor | 1 |
| 5 | B093 2935 | Stopper Paper Feed Roller | 1 |
| 6 | B090 2686 | Snap Ring | 1 |
| 7 | B093 2808 | Guide Plate Paper Feed Roller 2 Ass'y | 1 |
| 8 | A267 2751 | Paper Feed Roller | 1 |
| 9 | A267 2754 | Shaft - Paper Feed Roller | 1 |
| 10 | B209 2814 | Cushion - Roller Guide 2 | 1 |
| 11 | B206 2660 | Bracket: Photointerruptor | 1 |
| 12 | AW02 0173 | Photointerruptor: Vertical Transport | 1 |
| 13 | D019 2846 | Link: Damper: Ass'y | 1 |
| 14 | B097 2668 | Roller: Drive | 1 |
| 15 | AA08 0252 | Bushing - M4 | 1 |
| 16 | B206 2842 | Guide Plate: Friction Pad | 1 |
| 17 | D019 2587 | Bracket - Guide Plate No.2 | 1 |
| 18 | AA16 1143 | Cushion - Link | 2 |
| 19 | D019 2598 | Heater: NA: Ass'y | 1 |
| 19 | D019 2599 | Heater: EU: Ass'y | 1 |
| 20 | D010 7450 | Main Switch Decal - NA | 1 |
| 20 | D010 7451 | Main Switch Decal - EU | 1 |

| Index No. | Part No. | Description | Q'ty Per Assembly |
|-----------|------------|----------------------------|-------------------|
| 101 | 0451 3006N | Tapping Screw - 3x6 | |
| 102 | 0454 3006Q | Tapping Screw - M3x6 | |
| 103 | 0805 3480 | Bushing - 6mm | |
| 104 | 0720 0040E | Retaining Ring - M4 | |
| 105 | 1105 0511 | Harness Clamp - LWS-0306ZC | |
| 106 | 1105 0522 | Edge Saddle - LES0510 | |
| 107 | 1105 0488 | Clamp: LWS-1211Z | |
| 108 | 0950 3006N | Screw: Spring Washer: M3x6 | |

11.Vertical Transport (D017/D018/D019/D020/D084/D085)



11.Vertical Transport (D017/D018/D019/D020/D084/D085)

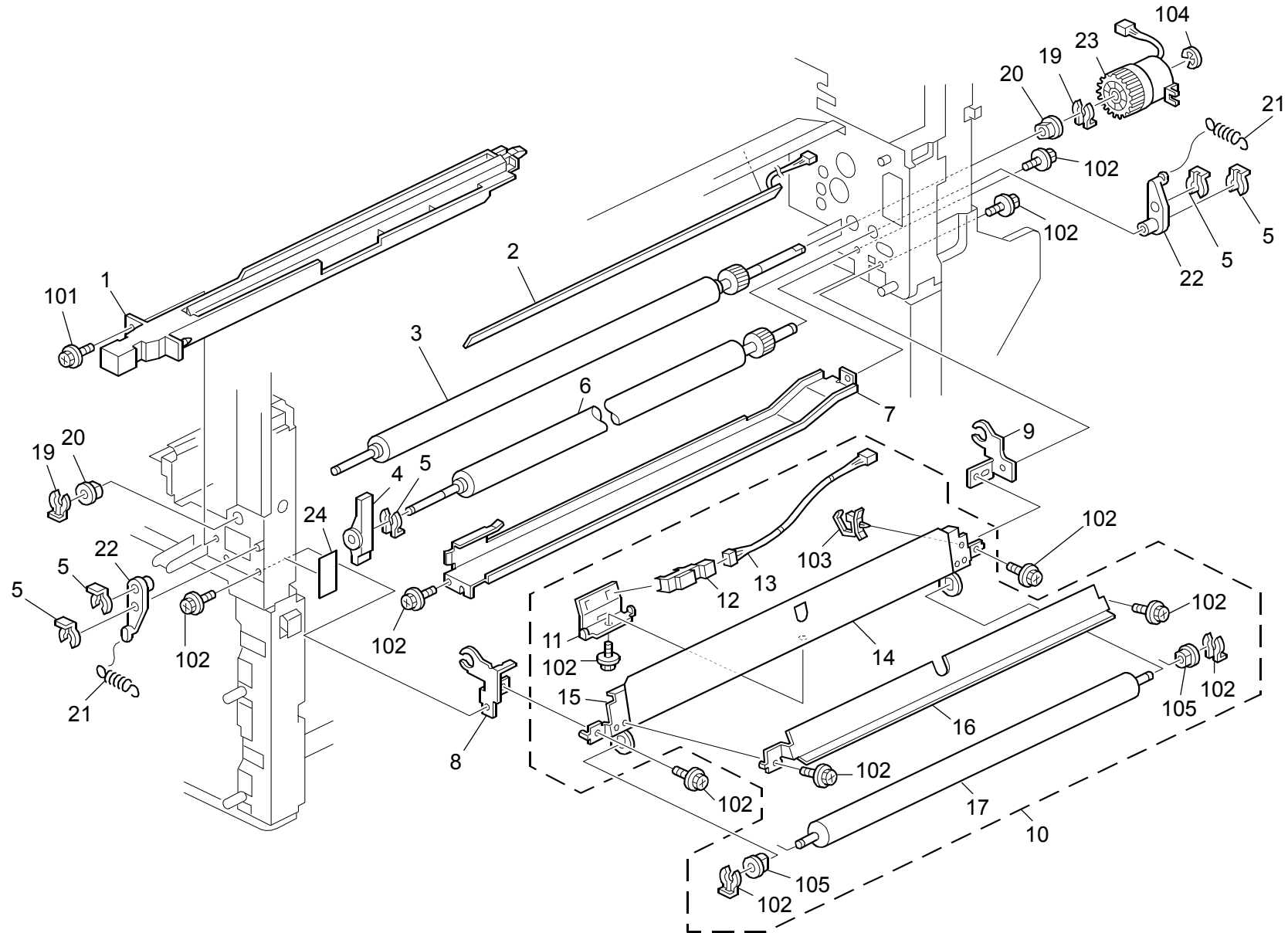
Rev. 02/11/2011

| Index No. | Part No. | Description | Q'ty Per Assembly |
|-----------|-----------|---|-------------------|
| 1 | D019 2736 | Bushing - Vertical Transport | 4 |
| 2 | D019 2734 | Spring - Transport | 4 |
| 3 | B090 2742 | Roller: Pull Out: Option Tray | 1 |
| 4 | D019 2731 | Guide Plate - Vertical Transport | 1 |
| 5 | D019 2737 | Driven Roller - Vertical Transport | 1 |
| 6 | D019 2707 | Guide Plate: Exit: Vertical Transport | 1 |
| 7 | D019 2703 | Rear Lever - Transfer | 1 |
| 8 | D019 2705 | Rear Lever – Fusing (See NOTE) | 1 |
| 9 | D019 2704 | Front Lever - Transfer | 1 |
| 10 | D019 2706 | Front Lever - Fusing (See NOTE) | 1 |
| 11 | D019 2710 | Frame - Vertical Transport | 1 |
| 12 | D019 2722 | Release Pawl - Rear | 1 |
| 13 | A267 3958 | Roller - Lever | 2 |
| 14 | D019 2727 | Stepped Screw - M4 | 2 |
| 15 | D019 2725 | Bracket: UN Lock | 1 |
| 16 | D019 2723 | Release Grip | 1 |
| 17 | D019 2728 | Release Pawl - Front | 1 |
| 18 | D019 2716 | Bracket: Manual Feed | 1 |
| 19 | D019 2761 | Link - Vertical Transport | 1 |
| 20 | 5447 2681 | Snap Ring | 2 |
| 21 | D019 2841 | Upper Cover - Vertical Transport | 1 |
| 22 | D019 2842 | Middle Cover - Vertical Transport | 1 |
| 23 | D019 2843 | Lower Cover - Vertical Transport | 1 |
| 24 | D019 2764 | Screw: DIA5: Hinge | 2 |
| 25 | D019 2724 | Tension Spring | 1 |

NOTE: For units without the Duplex Unit, order this part number. For units with the Duplex Unit installed, see the D369 Parts Catalog Duplex Unit page 7, Items 19 and 20.

| Index No. | Part No. | Description | Q'ty Per Assembly |
|-----------|------------|----------------------|-------------------|
| 101 | 0451 3006N | Tapping Screw - 3x6 | |
| 102 | 0450 3008N | Tapping Screw - M3x8 | |

12.Paper Registration (D017/D018/D019/D020/D084/D085)

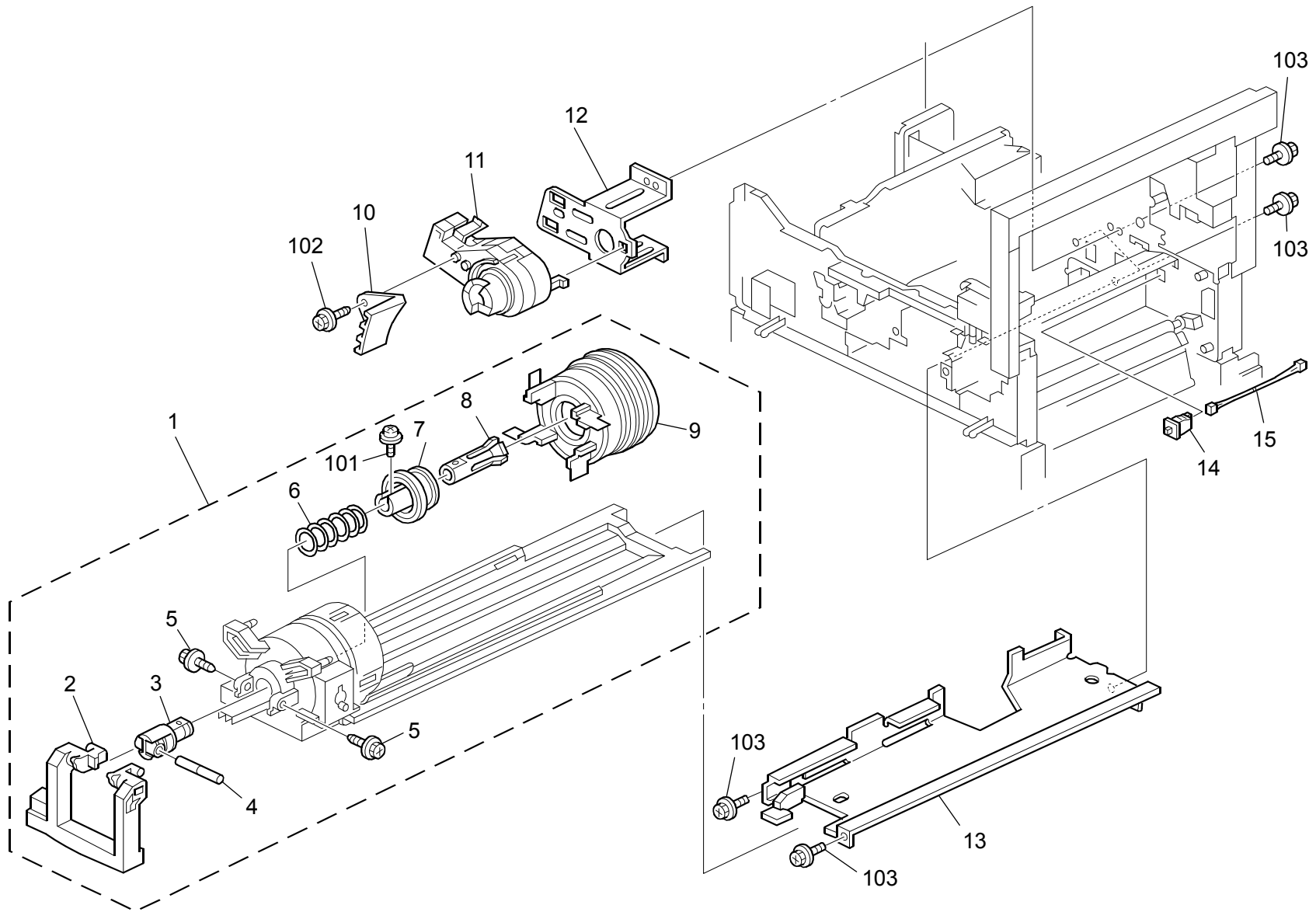


12.Paper Registration (D017/D018/D019/D020/D084/D085)

| Index No. | Part No. | Description | Q'ty Per Assembly |
|-----------|-----------|------------------------------------|-------------------|
| 1 | D019 2755 | Cleaner-registration | 1 |
| 2 | B209 3452 | Discharge Lamp | 1 |
| 3 | D019 2720 | Registration Roller - Drive | 1 |
| 4 | D019 2822 | Knob - Registration Roller | 1 |
| 5 | 5447 2681 | Snap Ring | 5 |
| 6 | D019 2820 | Registration Roller - Driven | 1 |
| 7 | D019 2757 | Cleaner Bracket - Registration | 1 |
| 8 | D019 2826 | Front Bracket - Registration Guide | 1 |
| 9 | D019 2827 | Rear Bracket - Registration Guide | 1 |
| 10 | D019 2690 | Left Guide Plate - Registration | 1 |
| 11 | B090 2698 | Bracket: Registration Sensor | 1 |
| 12 | AW01 0057 | Registration Sensor | 1 |
| 13 | D019 5237 | Interface Harness - Regist Sensor | 1 |
| 14 | D019 2699 | Left Guide Plate 2 - Registration | 1 |
| 15 | D019 2692 | Left Guide Plate - Registration | 1 |
| 16 | D019 2694 | Right Guide Plate - Registration | 1 |
| 17 | B209 2665 | Roller: Sponge | 1 |
| 18 | B090 2686 | Snap Ring | 2 |
| 19 | B090 2621 | Snap Ring - M6 | 2 |
| 20 | AA08 2070 | Bushing - 8x16x7 | 2 |
| 21 | D019 2829 | Spring - Driven Registration | 2 |
| 22 | D019 2823 | Bushing - Driven Roller | 2 |
| 23 | D019 1188 | Magnetic Clutch: 0.5N M: Z35 | 1 |
| 24 | D019 2920 | Decal: Operating: B1 Lever | 1 |

| Index No. | Part No. | Description | Q'ty Per Assembly |
|-----------|------------|----------------------------------|-------------------|
| 101 | 0452 3010N | Binding Self-Tapping Screw: 3x10 | |
| 102 | 0451 3006N | Tapping Screw - 3x6 | |
| 103 | 1105 0511 | Harness Clamp - LWS-0306ZC | |
| 104 | 0720 0060E | Retaining Ring - M6 | |
| 105 | 0805 3480 | Bushing - 6mm | |

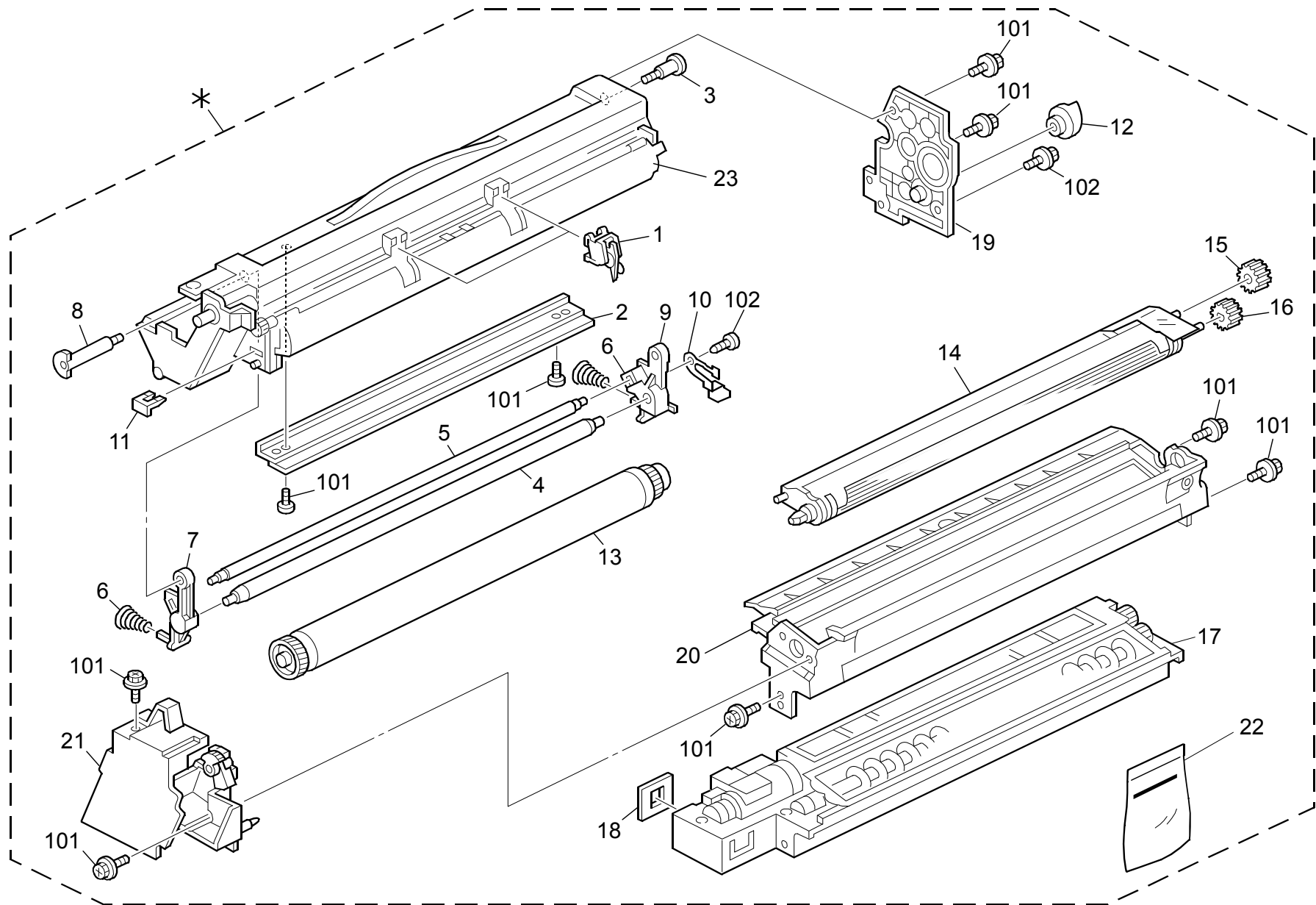
13.Toner Hopper Unit (D017/D018/D019/D020/D084/D085)



13.Toner Hopper Unit (D017/D018/D019/D020/D084/D085)

| Index No. | Part No. | Description | Q'ty Per Assembly |
|-----------|-----------|---------------------------------------|-------------------|
| 1 | D019 3501 | Toner Supply Unit | 1 |
| 2 | B090 3605 | Cam: Handle | 1 |
| 3 | B090 3572 | Shaft: Chuck | 1 |
| 4 | A184 3422 | Toner Slider | 1 |
| 5 | B044 3191 | Tapping Screw-M3x8 | 2 |
| 6 | A267 3556 | Chuck Spring - Tonner Bottle | 1 |
| 7 | B090 3573 | Slider: Ass'y | 1 |
| 8 | B090 3571 | Chuck: Bottle | 1 |
| 9 | B090 3560 | Cover: Toner Bottle: Ass'y | 1 |
| 10 | B027 3620 | Motor Spacer - Toner Bottle | 1 |
| 11 | B209 3616 | Toner Bottle Motor | 1 |
| 12 | B090 7440 | Bracket DC Motor Toner Bottle Z EXP | 1 |
| 13 | D019 1054 | Guide Plate: Toner Supply Unit: Ass'y | 1 |
| 14 | G020 5626 | Push Switch | 1 |
| 15 | D019 5203 | Harness - New Parts Sensor | 1 |

| Index No. | Part No. | Description | Q'ty Per Assembly |
|-----------|------------|----------------------|-------------------|
| 101 | 0452 3008N | Tapping Screw - M3x8 | |
| 102 | 0450 3008N | Tapping Screw - M3x8 | |
| 103 | 0451 3006N | Tapping Screw - 3x6 | |



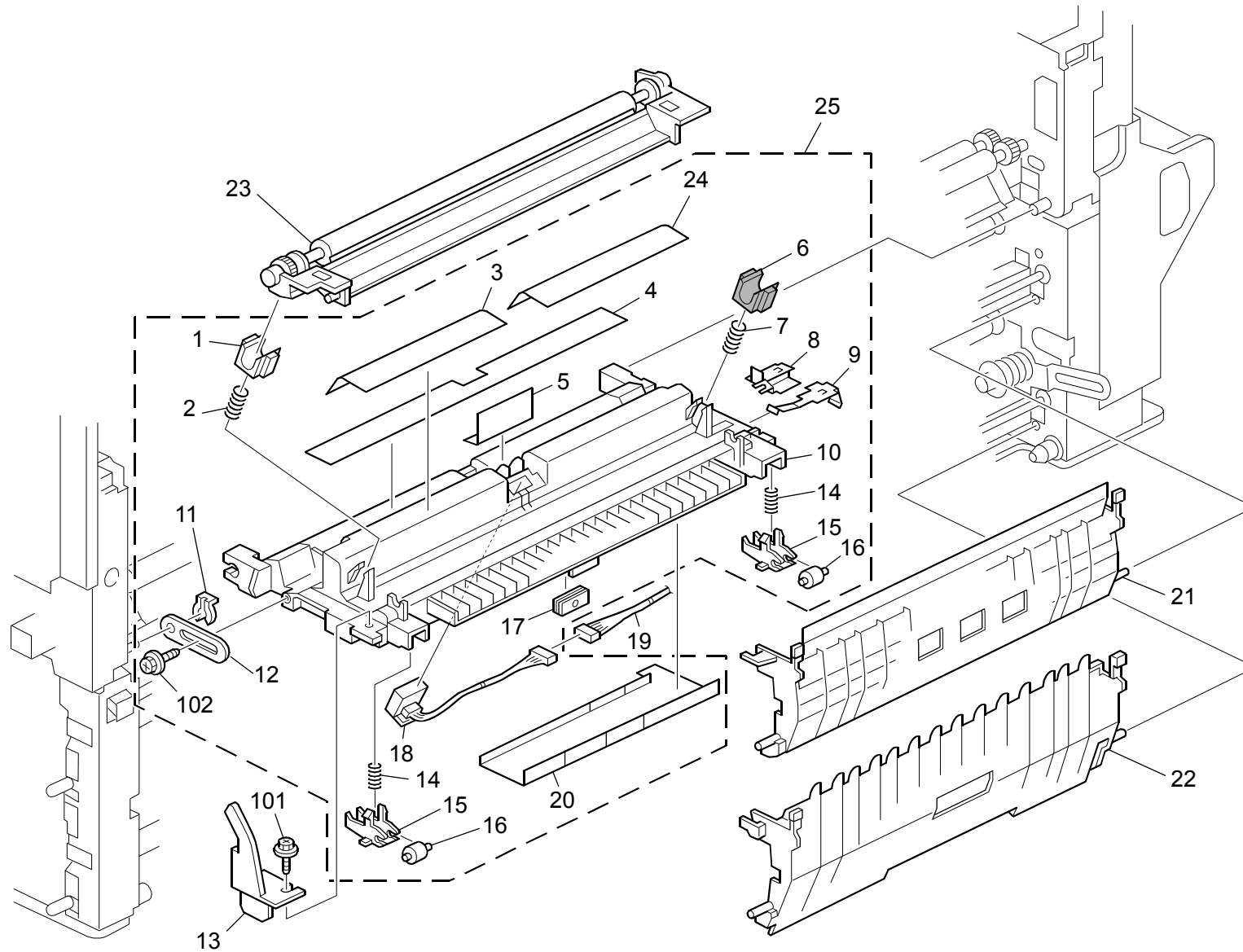
14.PCU Section (D017/D018/D019/D020/D084/D085)

Rev. 04/07/2010

| Index No. | Part No. | Description | Q'ty Per Assembly |
|-----------|------------------|--|-------------------|
| * | B205 0151 | PCU Unit | 1 |
| 1 | B039 2335 | Pickoff Pawl | 2 |
| 2 | AD04 1114 | Blade: Cleaning | 1 |
| 3 | AA14 3444 | Stepped Screw | 1 |
| 4 | AD02 7018 | Roller: Charge: A3 | 1 |
| 5 | AD04 2058 | Charge Cleaner Brush Roller | 1 |
| 6 | B039 2287 | Charge Roller Spring | 2 |
| 7 | B039 2292 | Front Pressure Arm - Charge Roller | 1 |
| 8 | B039 2293 | Pin - Front Pressure Arm | 1 |
| 9 | B209 3174 | Arm: Pressure: Charge: Rear | 1 |
| 10 | B209 3175 | Electrode Plate: Roller: Charge: Ass'y | 1 |
| 11 | B039 2350 | Clip - OPC Drum | 1 |
| 12 | B209 3440 | Joint: Development | 1 |
| 13 | B039 9510 | OPC Drum | 1 |
| 14 | B209 3320 | Development Roller Assembly | 1 |
| 15 | B039 3062 | Idler Gear | 1 |
| 16 | B039 3060 | Development Roller Gear | 1 |
| 17 | B209 3370 | Development Case | 1 |
| 18 | B209 3196 | Shield: Toner Supply: Entrance | 1 |
| 19 | B209 3233 | Drum Stay: Rear | 1 |
| 20 | B209 3360 | Development Roller Case | 1 |
| 21 | B209 3215 | Drum Stay: Front | 1 |
| 22 | B121 9640 | Developer Type 28 Black | 1 |
| 23 | B039 2343 | Drum Shutter | 1 |

| Index No. | Part No. | Description | Q'ty Per Assembly |
|-----------|------------|---------------------------------|-------------------|
| 101 | 0360 3006N | Screw - M3x6 | |
| 102 | 0452 3006N | Binding Self-tapping Screw: 3x6 | |

15. Transfer Unit (D017/D018/D019/D020/D084/D085)

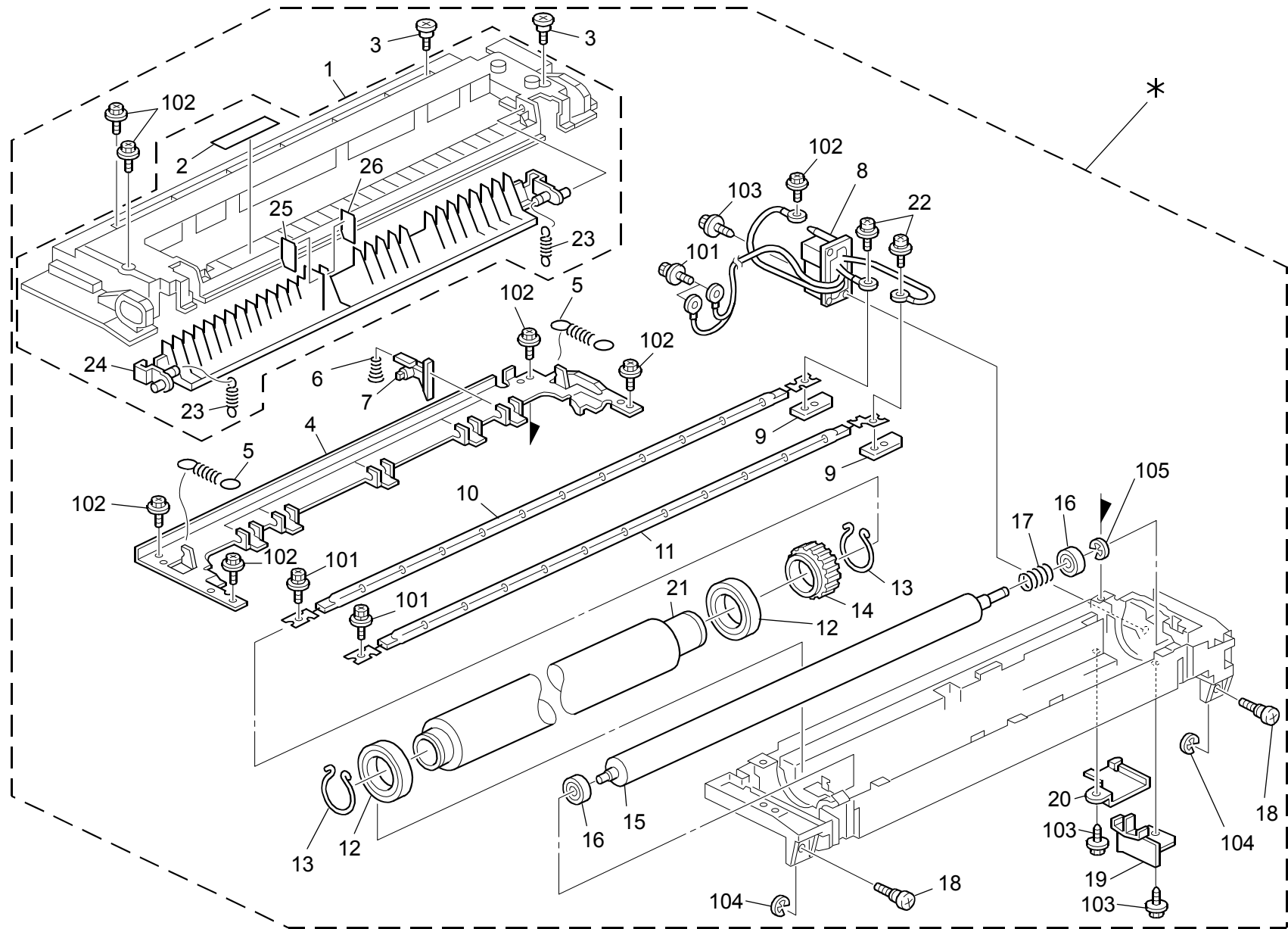


15. Transfer Unit (D017/D018/D019/D020/D084/D085)

| Index No. | Part No. | Description | Q'ty Per Assembly |
|-----------|------------------|-------------------------------------|-------------------|
| 1 | AA08 0256 | Front Bushing - Transfer Roller | 1 |
| 2 | B091 3911 | Compression Spring: Pressure: Front | 1 |
| 3 | AA15 0708 | Front Discharge Sheet | 1 |
| 4 | D019 3812 | Cleaner: Registration: Driven | 1 |
| 5 | A267 3905 | Cover - ID Sensor | 1 |
| 6 | AA08 0250 | Rear Bushing - Transfer Roller | 1 |
| 7 | B091 3912 | Compression Spring: Pressure: Rear | 1 |
| 8 | A267 3861 | Terminal - Transfer Roller | 1 |
| 9 | A267 3862 | Terminal - Separation | 1 |
| 10 | D019 3855 | Cover: Transfer/Separation Unit: C5 | 1 |
| 11 | 5447 2681 | Snap Ring | 1 |
| 12 | D019 3941 | Band - Vertical Transport Cover | 1 |
| 13 | D019 3931 | Lever: Shutter | 1 |
| 14 | D019 3859 | Compression Spring | 2 |
| 15 | D019 3866 | Pressure Cover - Transfer Unit | 2 |
| 16 | D019 3867 | Roller - Transfer Unit | 2 |
| 17 | AG07 0514 | Magnet Catch | 1 |
| 18 | D019 3901 | ID Sensor | 1 |
| 19 | D019 5236 | Interface Harness - Density Sensor | 1 |
| 20 | D019 3908 | Cover - Density Sensor Harness | 1 |
| 21 | D019 2656 | Guide Plate - Upper | 1 |
| 22 | D019 2775 | Guide Plate - Lower | 1 |
| 23 | B209 3831 | Separation Unit: Ass'y | 1 |
| 24 | AA15 0709 | Rear Discharge Sheet | 1 |
| 25 | D019 3821 | Cover Ass'y - Transfer/Separation | 1 |

| Index No. | Part No. | Description | Q'ty Per Assembly |
|-----------|------------|----------------------|-------------------|
| 101 | 0450 3008N | Tapping Screw - M3x8 | |
| 102 | 0451 3006N | Tapping Screw - 3x6 | |

16.Fusing Unit 1 (D017/D018/D019/D020/D084/D085)



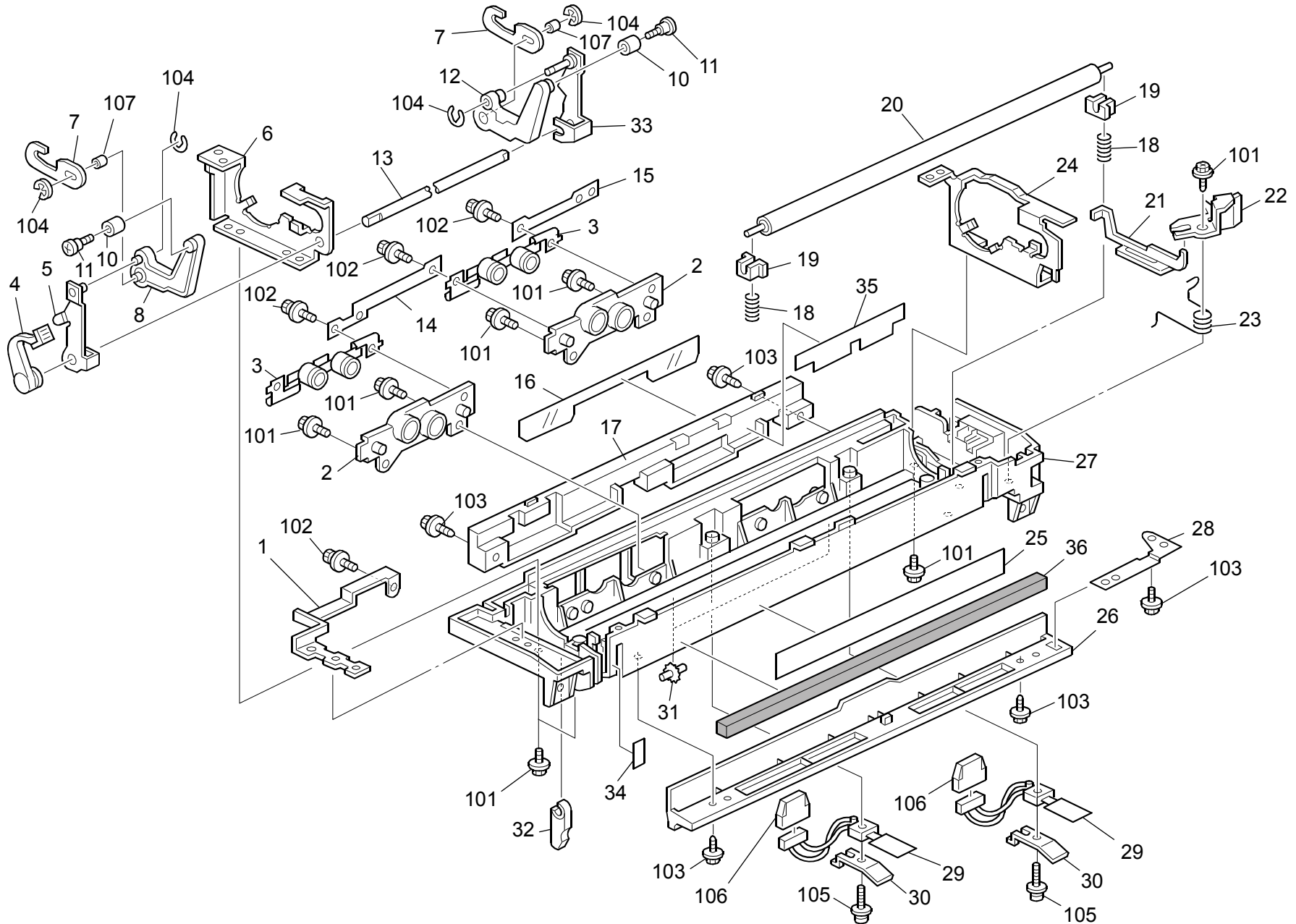
16.Fusing Unit 1 (D017/D018/D019/D020/D084/D085)

Rev. 4/14/2011

| Index No. | Part No. | Description | Q'ty Per Assembly |
|-----------|------------------|---------------------------------------|-------------------|
| * | D019 4001 | Fusing Unit - 120V | 1 |
| * | D019 4002 | Fusing Unit - 230V | 1 |
| * | D019 4003 | Fusing Unit - TWN | 1 |
| 1 | D019 4032 | Upper Frame - Fusing Unit | 1 |
| 2 | GA00 0058 | Decal Warning (High Temperature) | 1 |
| 3 | AA14 3219 | Stepped Screw | 2 |
| 4 | D019 4101 | Bracket - Stripper Pawls | 1 |
| 5 | D019 4114 | Tension Spring - Pressure | 2 |
| 6 | A267 4103 | Spring - Fusing Stripper | 5 |
| 7 | AE04 4025 | Hot Roller Stripper | 5 |
| 8 | D019 5274 | Drawer: Fusing: 120V | 1 |
| 8 | D019 5275 | Drawer: Fusing: 230V | 1 |
| 9 | B090 4092 | Terminal: Heater | 2 |
| 10 | AX44 0140 | Fusing Lamp - 120V | 1 |
| 10 | AX44 0142 | Fusing Lamp - 230V | 1 |
| 10 | AX44 0256 | Heater: 110V: Main | 1 |
| 11 | AX44 0141 | Fusing Lamp - 120V | 1 |
| 11 | AX44 0143 | Fusing Lamp - 230V | 1 |
| 11 | AX44 0257 | Heater: 110V: Sub | 1 |
| 12 | G052 4618 | Bearing 30x42x7 | 2 |
| 13 | B031 4056 | C Ring - Hot Roller | 2 |
| 14 | AB01 1400 | Gear - 48Z | 1 |
| 15 | AE02 0161 | Pressure Roller: MM27 | 1 |
| 16 | AE03 0030 | Ball Bearing - 8x19x6 | 2 |
| 17 | B091 4066 | Spring: Flange: Pressure Roller | 1 |
| 18 | D019 4161 | Knob Screw: Fix: Fusing | 2 |
| 19 | B209 4071 | Circlip Stopper | 1 |
| 20 | B206 4077 | Guide: Harness: Plate | 1 |
| 21 | AE01 1103 | Hot Roller: MM40: T0.4 | 1 |
| 22 | B051 4050 | Philips Screw - M3x8 | 2 |
| 23 | D019 4158 | Spring: Open And Close: Guide | 2 |
| 24 | D019 4156 | Guide Plate: Fusing: Upper | 1 |
| 25 | D019 4181 | Decal: Grip: Guide Plate: Fusing Exit | 1 |
| 26 | D019 4184 | Decal: Grip: Guide Plate: Fusing Exit | 1 |

| Index No. | Part No. | Description | Q'ty Per Assembly |
|-----------|------------|--------------------------------|-------------------|
| 101 | 0804 6123 | Hexagonal Bolt: W/Washer: M3x8 | |
| 102 | 0451 3006N | Tapping Screw - 3x6 | |
| 103 | 0450 3010N | Tapping Screw - M3x10 | |
| 104 | 0720 0030E | Retaining Ring - M3 | |
| 105 | 0720 0060E | Retaining Ring - M6 | |

17.Fusing Unit 2 (D017/D018/D019/D020/D084/D085)



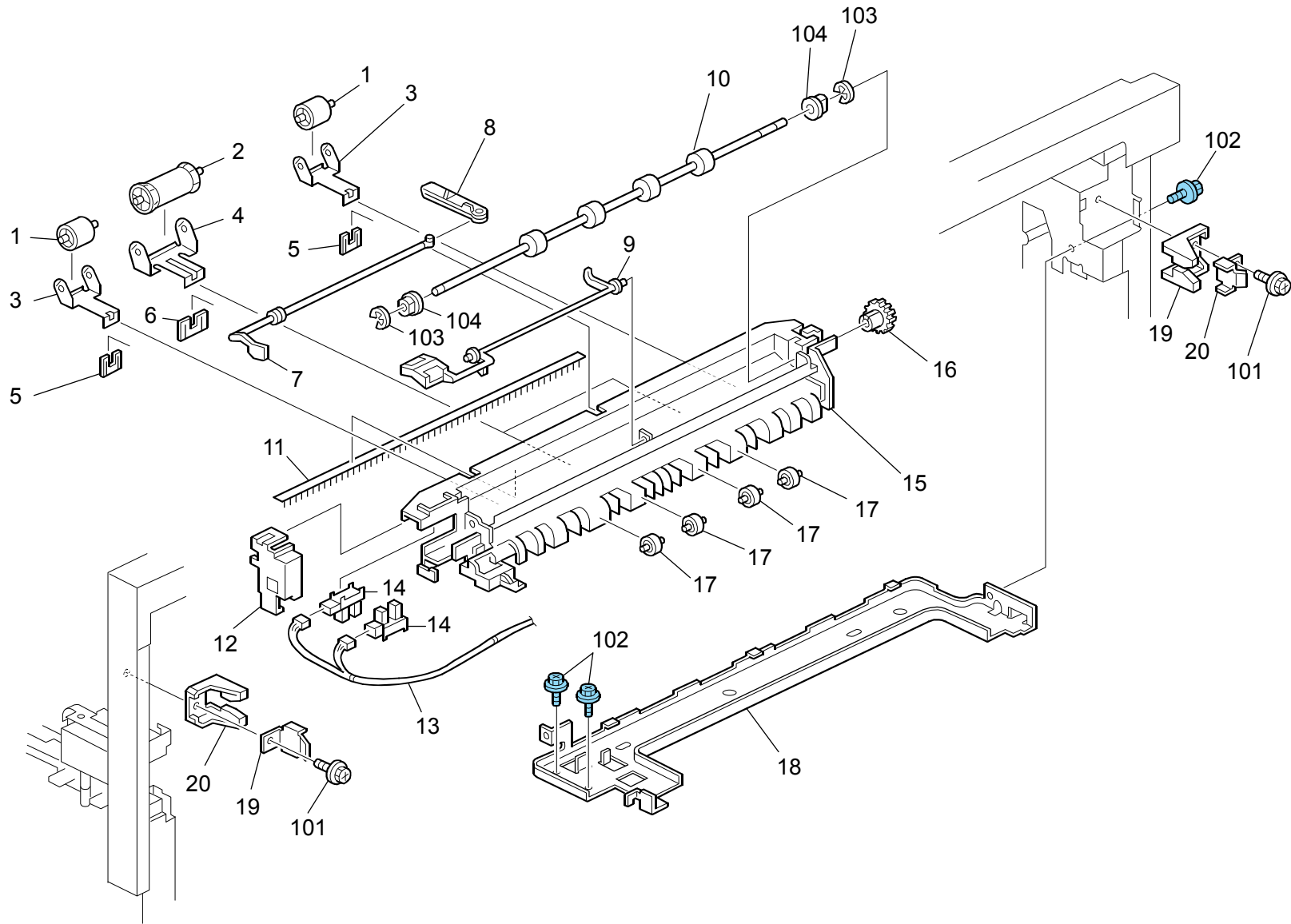
17.Fusing Unit 2 (D017/D018/D019/D020/D084/D085)

Rev. 05/26/2010

| Index No. | Part No. | Description | Q'ty Per Assembly |
|-----------|------------------|---------------------------------------|-------------------|
| 1 | B027 4091 | Front Terminal Plate - Thermostat | 1 |
| 2 | B209 4094 | Thermostat Housing | 2 |
| 3 | B209 4095 | Thermostat - 180C | 2 |
| 4 | D019 4112 | Grip - Pressure Change | 1 |
| 5 | D019 4116 | Front Lever - Pressure Roller | 1 |
| 6 | D019 4121 | Front Side Plate - Fusing | 1 |
| 7 | D019 4197 | Lever: Lock: Pressure | 2 |
| 8 | D019 4171 | Lever: Pressure Release: Front: Ass'y | 1 |
| 9 | Deleted | | |
| 10 | D019 4194 | Roller: Lever: Pressure | 2 |
| 11 | D019 4792 | Screw: Drawer | 2 |
| 12 | D019 4191 | Lever: Pressure Release: Rear: Ass'y | 1 |
| 13 | D019 4111 | Shaft - Pressure Lever | 1 |
| 14 | B027 4092 | Terminal Plate - Thermostat | 1 |
| 15 | B027 4093 | Rear Terminal Plate - Thermostat | 1 |
| 16 | B027 4079 | Harness - Sheet | 1 |
| 17 | B206 4078 | Cover: Thermostat | 1 |
| 18 | B091 4084 | Compression Spring - 5N | 2 |
| 19 | AA08 2073 | Roller Busing | 2 |
| 20 | AE04 2029 | Fusing Cleaning Roller | 1 |
| 21 | B090 4082 | Link: Release: Drive | 1 |
| 22 | B090 4083 | Lever: Release: Drive | 1 |
| 23 | B207 4081 | Spring: Release: Drive | 1 |
| 24 | D019 4125 | Rear Side Plate - Fusing | 1 |
| 25 | D019 4183 | Decal: Warning (High Temperature): C | 1 |
| 26 | A267 4085 | Fusing Entrance Guide | 1 |
| 27 | D019 4072 | Lower Frame - Fusing Unit | 1 |
| 28 | A267 4086 | Fusing Ground Plate - Entrance | 1 |
| 29 | AW10 0053 | Thermistor - Rear | 2 |
| 30 | B090 4099 | Holder: Thermistor | 2 |
| 31 | A232 2374 | Spur | 2 |
| 32 | A267 4076 | Spacer - Safety Switch | 1 |
| 33 | D019 4117 | Rear Lever - Pressure Roller | 1 |
| 34 | D019 4182 | Decal: Exchange Indication: Envelope | 1 |
| 35 | D019 4080 | Sheet: Thermostat | 1 |

| Index No. | Part No. | Description | Q'ty Per Assembly |
|-----------|------------|--------------------------------|-------------------|
| 36 | D019 4169 | Seal: Fusing Cover | 1 |
| 101 | 0451 3006N | Tapping Screw - 3x6 | |
| 102 | 0804 6123 | Hexagonal Bolt: W/Washer: M3x8 | |
| 103 | 0450 3010N | Tapping Screw - M3x10 | |
| 104 | 0720 0030E | Retaining Ring - M3 | |
| 105 | 0954 3012N | Screw - M3x12 | |
| 106 | 1102 6260 | Relay Connector - 3P | |
| 107 | D019 4208 | Bushing: 4x8: Fusing | |

18. Paper Exit (D017/D018/D019/D020/D084/D085)

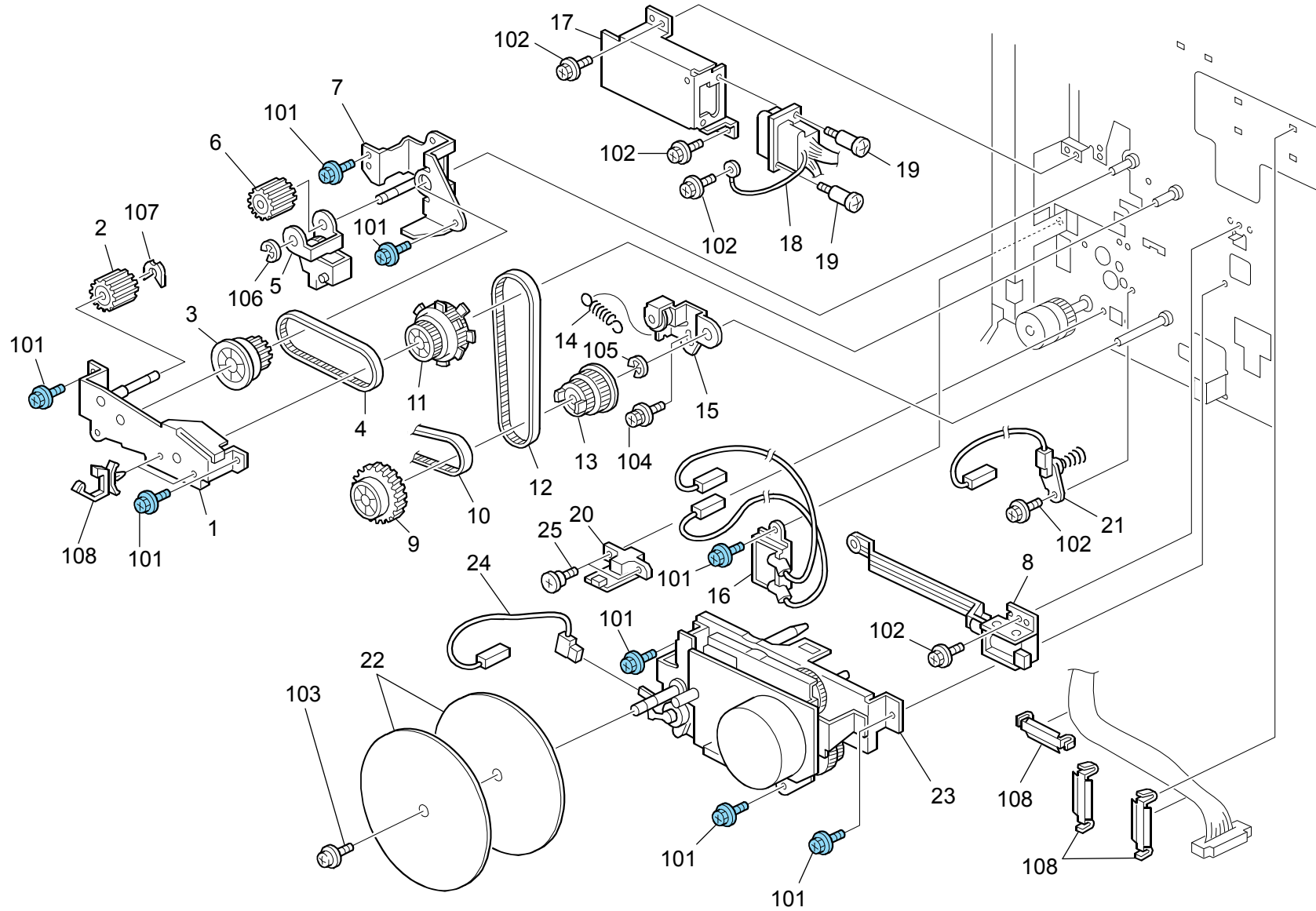


18.Paper Exit (D017/D018/D019/D020/D084/D085)

| Index No. | Part No. | Description | Q'ty Per Assembly |
|-----------|-----------|-------------------------------|-------------------|
| 1 | AF04 0567 | Tension Roller | 2 |
| 2 | AF04 0566 | Tension Roller | 2 |
| 3 | A267 4483 | Spring Plate - Tension Roller | 2 |
| 4 | A267 4474 | Spring Plate - Tension Roller | 2 |
| 5 | B091 4487 | Stopper: Spring Plate: Outer | 2 |
| 6 | B091 4486 | Stopper: Spring Plate | 2 |
| 7 | A267 4479 | Shaft - Paper Overflow | 1 |
| 8 | A267 4478 | Feeler - Paper Overflow | 1 |
| 9 | A267 4476 | Feeler - Paper Feed Sensor | 1 |
| 10 | B209 4475 | Exit Roller | 1 |
| 11 | AA12 0094 | Antistatic Brush | 1 |
| 12 | B090 4489 | Cover: Paper Feed Sensor | 1 |
| 13 | D019 5207 | Harness - Paper Feed Sensor | 1 |
| 14 | B207 1886 | Photointerruptor | 2 |
| 15 | D019 4454 | Guide Plate - Exit | 1 |
| 16 | AB01 1404 | Gear - 19Z | 1 |
| 17 | AF02 2112 | Driven Roller | 4 |
| 18 | D019 4452 | Stay - Exit Unit | 1 |
| 19 | D019 1058 | Bracket: Stopper | 1 |
| 20 | D019 1059 | Guide: Stopper | 1 |

| Index No. | Part No. | Description | Q'ty Per Assembly |
|-----------|------------|----------------------|-------------------|
| 101 | 0451 3008N | Tapping Screw - M3x8 | |
| 102 | 0454 3006Q | Tapping Screw - M3x6 | |
| 103 | 0805 3480 | Bushing - 6mm | |
| 104 | 0720 0040E | Retaining Ring - M4 | |

19. Drive Section 1 (D017/D018/D019/D020/D084/D085)

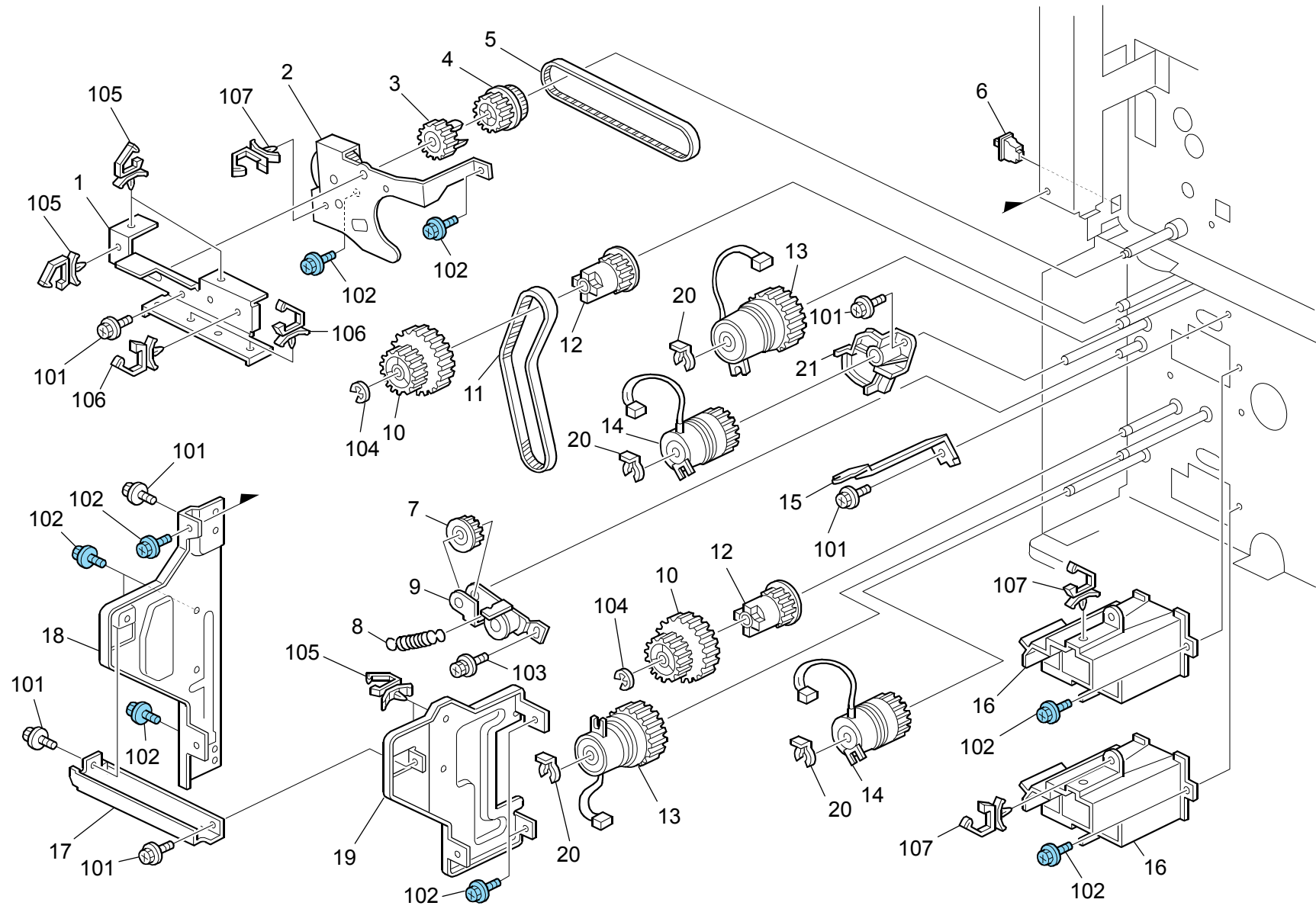


19. Drive Section 1 (D017/D018/D019/D020/D084/D085)

| Index No. | Part No. | Description | Q'ty Per Assembly |
|-----------|-----------|-----------------------------------|-------------------|
| 1 | B090 1162 | Cover: Fusing: Drive | 1 |
| 2 | AB01 1204 | Gear - 27Z | 1 |
| 3 | AB01 7503 | Gear - 35Z/28Z | 1 |
| 4 | AA04 3515 | Timing Belt - S3M - 225 | 1 |
| 5 | B090 1170 | Bracket: Fusing: Swivel | 1 |
| 6 | AB01 1203 | Gear - 30Z | 1 |
| 7 | B090 1159 | Bracket: Fusing: Drive | 1 |
| 8 | B209 1167 | Lever: DCSOL: Ass'y | 1 |
| 9 | AB01 4050 | Gear - 44Z | 1 |
| 10 | AA04 3516 | Timing Belt - S3M - 342 | 1 |
| 11 | AB03 3092 | Timing Pulley - 27T/48T | 1 |
| 12 | AA04 3514 | Timing Belt - S3M - 420 | 1 |
| 13 | B090 1111 | Timing Pulley - 31/36T | 1 |
| 14 | B091 2615 | Spring: Tension | 1 |
| 15 | B090 1115 | Bracket: Tension | 1 |
| 16 | D019 3950 | Receptacle - Transfer/Separation | 1 |
| 17 | B090 1076 | Guide Plate: Fusing Unit: Rear: C | 1 |
| 18 | D019 5271 | Fusing AC Harness - 120V | 1 |
| 18 | D019 5272 | Fusing AC Harness - 230V | 1 |
| 19 | AA14 3301 | Stepped Screw - M3x4 | 2 |
| 20 | B209 5156 | PCB: PCU | 1 |
| 21 | D019 3461 | Charge Receptacle | 1 |
| 22 | D019 1184 | Fly Wheel - 118.5MM | 2 |
| 23 | D019 1129 | Brushless Motor-DC 30W | 1 |
| 24 | D019 5218 | Harness - High Voltage B: R-C | 1 |
| 25 | B259 1131 | Screw: PCU | 2 |

| Index No. | Part No. | Description | Q'ty Per Assembly |
|-----------|------------|--------------------------------|-------------------|
| 101 | 0454 3006Q | Tapping Screw - M3x6 | |
| 102 | 0451 3006N | Tapping Screw - 3x6 | |
| 103 | 0951 3008N | Screw: Polished Round: M3x8 | |
| 104 | 0804 6123 | Hexagonal Bolt: W/Washer: M3x8 | |
| 105 | 0720 0060E | Retaining Ring - M6 | |
| 106 | 0720 0040E | Retaining Ring - M4 | |
| 107 | 0805 0089 | Retaining Ring - M4 | |
| 108 | 1105 0687 | Clamp: FC-30 | |

20. Drive Section 2 (D017/D018/D019/D020/D084/D085)



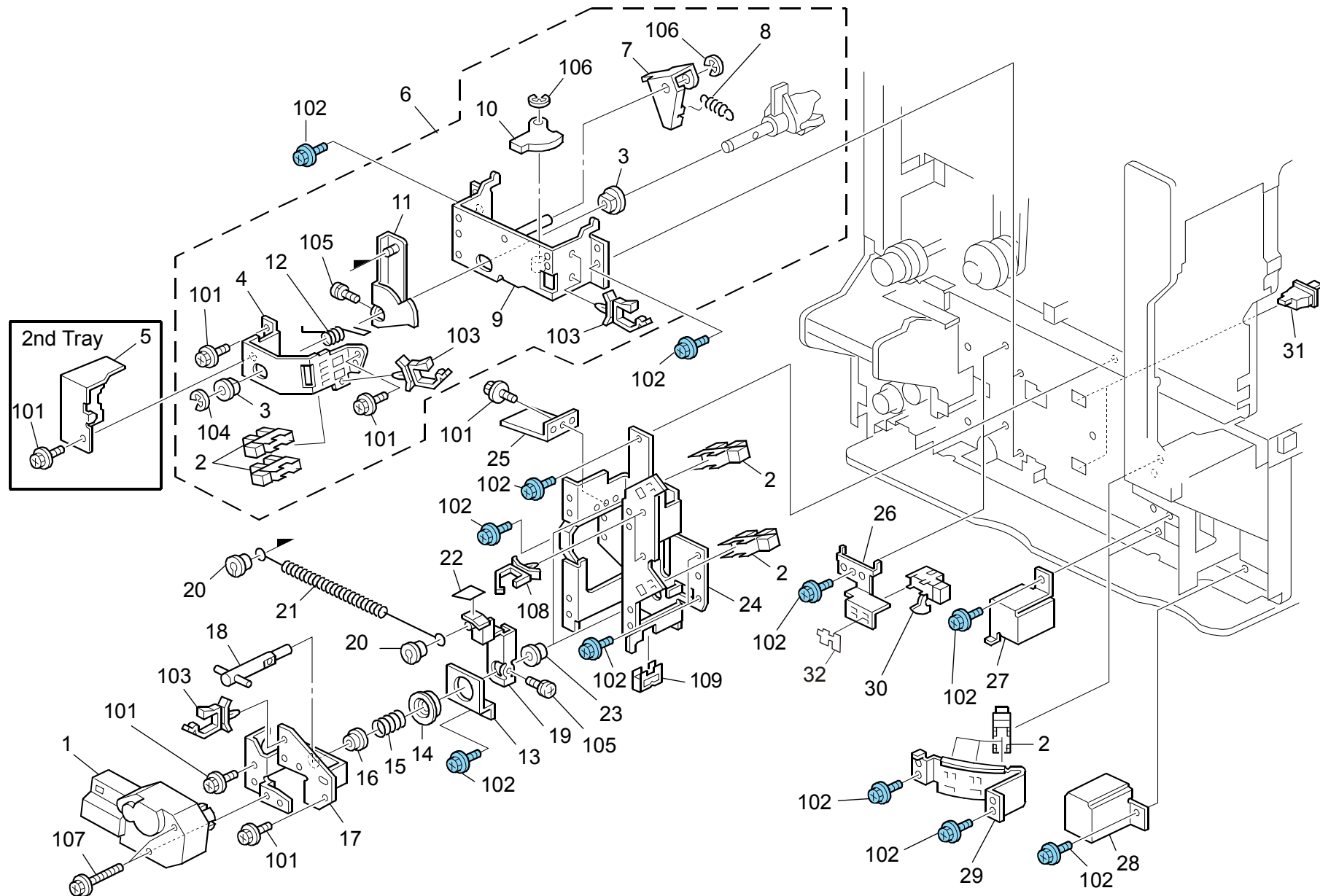
20. Drive Section 2 (D017/D018/D019/D020/D084/D085)

| Index No. | Part No. | Description | Q'ty Per Assembly |
|-----------|-----------|---------------------------------|-------------------|
| 1 | D019 5824 | Harness Bracket | 1 |
| 2 | B209 1183 | Bracket: Connecting: Paper Feed | 1 |
| 3 | AB01 7522 | Gear - Joint Paper Feed | 1 |
| 4 | AB01 7625 | Gear Pulley - Registration | 1 |
| 5 | AA04 3516 | Timing Belt - S3M - 342 | 1 |
| 6 | G020 5626 | Push Switch | 1 |
| 7 | AB03 0627 | Timing Pulley - 18T | 1 |
| 8 | B091 2615 | Spring: Tension | 1 |
| 9 | B090 2602 | Bracket: Tension | 1 |
| 10 | AB01 1199 | Gear - 31Z/54Z | 2 |
| 11 | AA04 3517 | Timing Belt - S3M - 315 | 1 |
| 12 | AB03 0626 | Timing Pulley - 20T | 2 |
| 13 | D019 2816 | Magnetic Clutch: 0.35N M: Z50 | 2 |
| 14 | AX20 0290 | Magnetic Clutch: 0.25N M: Z38 | 2 |
| 15 | B090 2604 | Stopper: Feed: CL | 1 |
| 16 | D019 2596 | Cover: Drive: Paper Feed: Right | 2 |
| 17 | D019 5828 | Grip - Rear Right | 1 |
| 18 | D019 5826 | Connector Bracket - Manual Feed | 1 |
| 19 | D019 5834 | Bracket - Grip | 1 |
| 20 | B091 2607 | Snap Ring | 4 |
| 21 | A267 2601 | Positioning Guide - Bypass Feed | 1 |

| Index No. | Part No. | Description | Q'ty Per Assembly |
|-----------|------------|--------------------------------|-------------------|
| 101 | 0451 3006N | Tapping Screw - 3x6 | |
| 102 | 0454 3006Q | Tapping Screw - M3x6 | |
| 103 | 0804 6123 | Hexagonal Bolt: W/Washer: M3x8 | |
| 104 | 0720 0060E | Retaining Ring - M6 | |
| 105 | 1105 0516 | Clamp | |
| 106 | 1105 0488 | Harness Clamp | |
| 107 | 1105 0511 | Harness Clamp - LWS-0306ZC | |

21.Drive Section 3 (D017/D018/D019/D020/D084/D085)

Rev. 09/23/2010



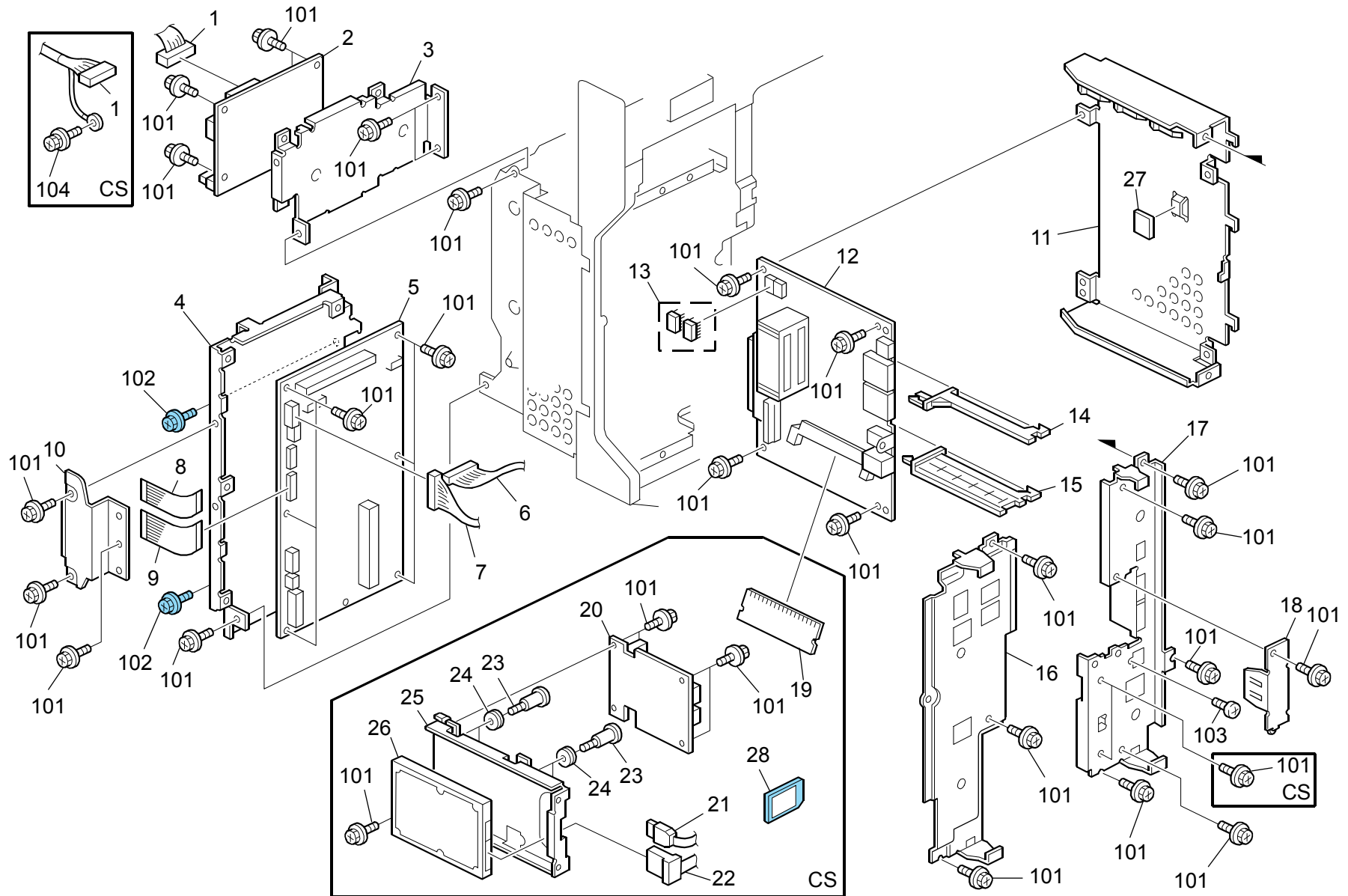
21. Drive Section 3 (D017/D018/D019/D020/D084/D085)

Rev. 09/23/2010

| Index No. | Part No. | Description | Q'ty Per Assembly |
|-----------|-----------|--------------------------------------|-------------------|
| 1 | D331 2680 | DC Motor: Paper Feed: Ass'y | 2 |
| 2 | AW02 0141 | Photointerruptor | 12 |
| 3 | AA08 2070 | Bushing - 8x16x7 | 4 |
| 4 | B090 2773 | Bracket: Rise: 2 | 2 |
| 5 | B090 2592 | Cover: Right Inner Rear | 1 |
| 6 | D010 2780 | Rising Unit | 2 |
| 7 | B024 2765 | Pressure Lever Stopper | 2 |
| 8 | B091 2766 | Tension Spring: Stopper: Return | 2 |
| 9 | B090 2815 | Bracket: Rise: 1 | 2 |
| 10 | A267 2770 | Vibrating Plate | 2 |
| 11 | D010 2777 | Lever - Paper Volume Sensor | 2 |
| 12 | B091 2767 | Torsion Spring: Joint: Return | 2 |
| 13 | B090 2848 | Stopper: Holder: Compression Spring | 2 |
| 14 | A267 2846 | Holder - Spring | 2 |
| 15 | B091 2844 | Compression Spring: Return | 2 |
| 16 | A267 2845 | Bushing - DC Motor Shaft | 2 |
| 17 | B090 2838 | Bracket: DC Motor: 2 | 2 |
| 18 | D019 2860 | Shaft: DC Motor: Ass'y | 2 |
| 19 | D019 2776 | Lever: DC Motor: Ass'y | 2 |
| 20 | B031 2836 | Clip: Shaft | 4 |
| 21 | D010 2771 | Tension Spring | 2 |
| 22 | D019 2849 | Shutter - Photointerruptor | 2 |
| 23 | A267 2847 | Bushing - Motor Shaft | 2 |
| 24 | B090 2837 | Bracket: DC Motor: 1 | 1 |
| 25 | B024 2839 | Harness Cover - Paper Feed | 1 |
| 26 | D019 2795 | Side Fence Bracket | 2 |
| 27 | D019 2593 | Cover: Positioning Pin: Middle | 1 |
| 28 | B090 2593 | Cover: Left Inner Rear | 1 |
| 29 | D010 2871 | Bracket - Paper Size Sensor | 2 |
| 30 | AW02 0173 | Photointerruptor: Vertical Transport | 4 |
| 31 | G020 5626 | Push Switch | 2 |
| 32 | D019 2796 | Sheet: Paper Size Sensor: Side Fence | 2 |
| | | [TSB#039] | |

| Index No. | Part No. | Description | Q'ty Per Assembly |
|-----------|------------|----------------------------|-------------------|
| 101 | 0451 3006N | Tapping Screw - 3x6 | |
| 102 | 0454 3006Q | Tapping Screw - M3x6 | |
| 103 | 1105 0511 | Harness Clamp - LWS-0306ZC | |
| 104 | 0720 0060E | Retaining Ring - M6 | |
| 105 | 0950 4008Z | Philips Truss Screw - M4x8 | |
| 106 | 0720 0040E | Retaining Ring - M4 | |
| 107 | 0451 3030N | Tapping Screw: 3x30 | |
| 108 | 1105 0460 | Clamp | |
| 109 | 1105 0329 | Clamp - ES-0510 | |

22.Electrical Section 1 (D017/D018/D019/D020/D084/D085)

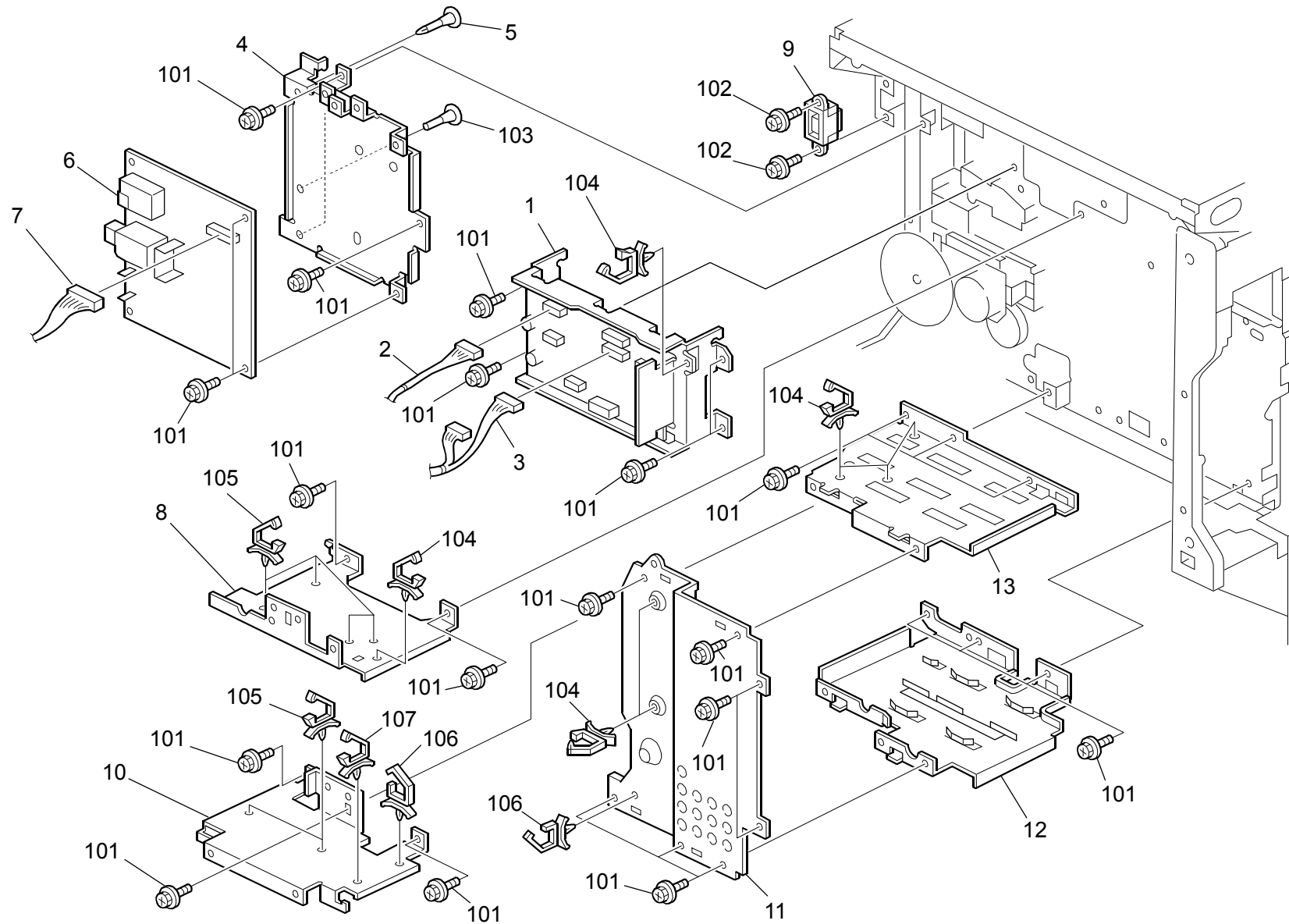


22.Electrical Section 1 (D017/D018/D019/D020/D084/D085)

Rev. 10/21/2010

| Index No. | Part No. | Description | Q'ty Per Assembly | Index No. | Part No. | Description | Q'ty Per Assembly |
|-----------|-----------|--|-------------------|-----------|------------|--------------------------------------|-------------------|
| 1 | D019 5245 | Harness - SBU MS | 1 | 25 | D362 1140 | HDD Bracket | 1 |
| 1 | B238 5345 | Scanner Interface Cable | 1 | 26 | M308 5130 | HDD: 80GB: MHZ2080BH: Fujitsu | 1 |
| 2 | D019 5130 | SIU Board | 1 | 27 | D019 5899 | Thermally Conductive Sheet | 1 |
| 2 | D020 5162 | SIU Board - CS | 1 | 28 | D092 5910 | SD-Card: VM: EXP: Ass'y (D084/D085) | 1 |
| 3 | D019 5871 | SIU Bracket | 1 | 28 | D383 5010 | SD-Card - RPCS (D017/D018/D019/D020) | 1 |
| 4 | D019 5850 | Bracket - IPU | 1 | | | | |
| 5 | D019 5153 | PCB: Image Processing Unit | 1 | | | | |
| 6 | D019 5223 | Harness - Laser Diode | 1 | | | | |
| 7 | D019 5226 | Harness - OPU MS | 1 | | | | |
| 7 | D020 5211 | Harness: Operation Sub-Unit: 24V | 1 | | | | |
| 8 | D019 5221 | FFC Harness 2 - IPU | 1 | | | | |
| 9 | D019 5210 | FFC Harness 1 - IPU | 1 | | | | |
| 10 | D019 5853 | Cover - IPU FFC | 1 | | | | |
| 11 | D019 5859 | Bracket 2 - Control Board | 1 | | | | |
| 12 | D019 5365 | Controller Board - 33 MS (D019) [TSB#037] | 1 | | | | |
| 12 | D020 5365 | PCB:CTL:RU-C5CS:CS33:EXP (D020)) [TSB#037] | 1 | | | | |
| 12 | D019 5366 | Controller Board - 25 MS (D017)) [TSB#037] | 1 | | | | |
| 12 | D020 5366 | PCB:CTL:RU-C5CS:CS25:EXP (D018)) [TSB#037] | 1 | | | | |
| 12 | D085 5310 | PCB: Controller: 33 (D085) | 1 | | | | |
| 12 | D085 5311 | PCB: Controller: 28 (D084) | 1 | | | | |
| 13 | D009 9590 | NVRAM | 1 | | | | |
| 14 | D009 5899 | Right Rail - Small | 1 | | | | |
| 15 | D009 5891 | Left Rail - Fax Control Unit | 1 | | | | |
| 16 | D019 5890 | Panel - Fax | 1 | | | | |
| 17 | D019 5868 | Bracket - Control Board | 1 | | | | |
| 18 | B209 5867 | Panel: Interface | 1 | | | | |
| 19 | B585 5130 | PCB: DDR1-DIMM-32B: 256MB: Ass'y | 1 | | | | |
| 19 | B585 5140 | PCB: DDR1-DIMM-32B: 512MB: Ass'y | 1 | | | | |
| 20 | D362 5170 | PCB - HDD | 1 | | | | |
| 21 | D362 5132 | Harness - HDD | 1 | 101 | 0451 3006N | Tapping Screw - 3x6 | |
| 22 | D362 5131 | Cable - HDD Power | 1 | 102 | 0454 3006Q | Tapping Screw - M3x6 | |
| 23 | AA14 3848 | Stepped Screw - M3 | 4 | 103 | 0353 0050N | Screw-M3x5 | |
| 24 | AA16 1125 | Rubber Cushion | 4 | 104 | 0804 6123 | Hexagonal Bolt: W/Washer: M3x8 | |

23. Electrical Section 2 (D017/D018/D019/D020/D084/D085)

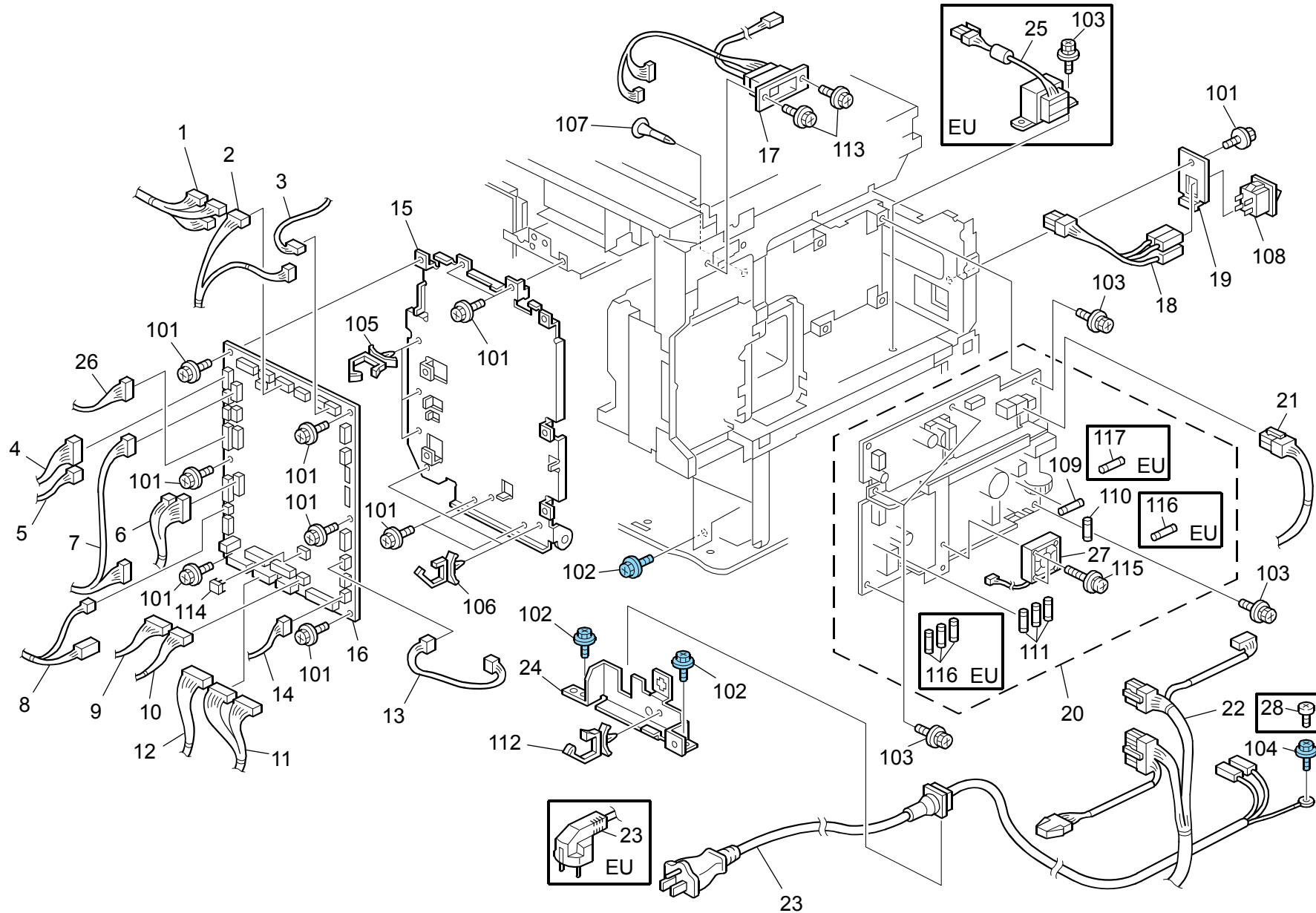


23. Electrical Section 2 (D017/D018/D019/D020/D084/D085)

| Index No. | Part No. | Description | Q'ty Per Assembly |
|-----------|-----------|-----------------------------------|-------------------|
| 1 | D019 5110 | SIO Board (MS model) | 1 |
| 1 | D020 5180 | SIO Board - CS (CS model) | 1 |
| 2 | D019 5254 | Harness - SBU Power MS (MS model) | 1 |
| 2 | B238 5368 | Harness - SBU (CS model) | 1 |
| 3 | D019 5248 | Harness - BCU-SIO | 1 |
| 4 | B090 5833 | Bracket: Power Pack | 1 |
| 5 | G020 5871 | Spacer - KGLS-12RF | 2 |
| 6 | AZ32 0158 | Power Pack - BCTD | 1 |
| 7 | D019 5217 | Harness - Power Pack | 1 |
| 8 | D019 5839 | Upper Stand - IOB | 1 |
| 9 | D019 5200 | Harness - ADF | 1 |
| 10 | D019 5840 | Lower Stand - IOB | 1 |
| 11 | D019 5875 | Shading Plate - Controller | 1 |
| 12 | D019 5860 | Application Rack - Lower | 1 |
| 13 | D019 5856 | Application Rack - Upper | 1 |

| Index No. | Part No. | Description | Q'ty Per Assembly |
|-----------|------------|------------------------|-------------------|
| 101 | 0451 3006N | Tapping Screw - 3x6 | |
| 102 | 0451 3008N | Tapping Screw - M3x8 | |
| 103 | 1105 0499 | Support Spacer - M3x29 | |
| 104 | 1105 0516 | Clamp | |
| 105 | 1105 0487 | Harness Clamp | |
| 106 | 1105 0292 | Wire Saddle | |

24. Electrical Section 3 (D017/D018/D019/D020/D084/D085)



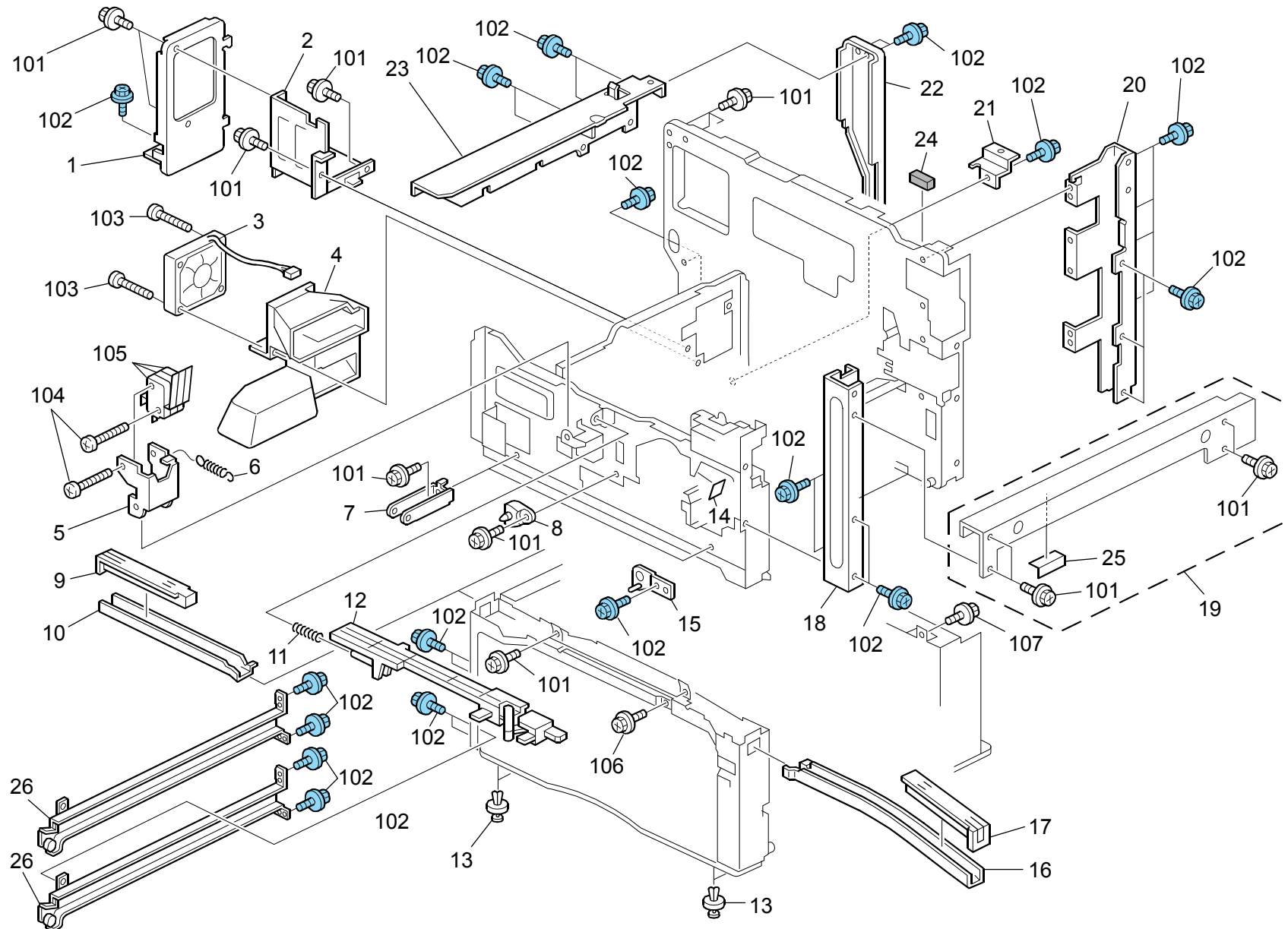
24. Electrical Section 3 (D017/D018/D019/D020/D084/D085)

Rev. 08/20/2010

| Index No. | Part No. | Description | Q'ty Per Assembly |
|-----------|-----------|--|-------------------|
| 1 | D019 5206 | Harness - Paper Exit | 1 |
| 2 | D019 5200 | Harness - ADF | 1 |
| 3 | D019 5250 | Harness - Home Position Sensor | 1 |
| 3 | D020 5212 | Harness: BCU: HPS/AKS: 5V | 1 |
| 4 | D019 5217 | Harness - Power Pack | 1 |
| 5 | D019 5205 | Harness - Quenching Lamp | 1 |
| 6 | D019 5244 | Harness: Bypass: Duplex | 1 |
| 7 | D019 5202 | Harness - Main Motor | 1 |
| 8 | D019 5204 | Door Switch Harness | 1 |
| 9 | D019 5232 | Harness - Paper Feed Motor | 1 |
| 10 | D019 5233 | Harness - 1st Paper Feed | 1 |
| 11 | D019 5234 | Harness - 2nd Paper Feed | 1 |
| 12 | D019 5231 | Harness - Paper Size Sensor | 1 |
| 13 | D019 5239 | Harness - IPU Power Source | 1 |
| 14 | D019 5209 | Harness - Paper Feed Clutch | 1 |
| 15 | D019 5838 | Bracket - IOB | 1 |
| 16 | D019 5055 | BCU Board - 33 (D019/D020) | 1 |
| 16 | D019 5056 | BCU Board - 25 (D017/D018) | 1 |
| 16 | D085 5055 | PCB: BCU: 33 (D085) | 1 |
| 16 | D085 5056 | PCB: BCU: 28 (D084) | 1 |
| 17 | D019 5241 | Harness - Interface Unit | 1 |
| 18 | D019 5229 | AC Harness - Main Switch | 1 |
| 19 | B206 5823 | Bracket: Main Switch | 1 |
| 20 | AZ23 0221 | Power Supply Unit - 120V | 1 |
| 20 | AZ23 0223 | Power Supply Unit - 230V | 1 |
| 21 | D019 5213 | AC Harness - Heater | 1 |
| 22 | D019 5212 | Harness - Power Supply Unit | 1 |
| 23 | D019 5615 | Power Supply: Cord: Stopper: NA: Ass'y | 1 |
| 23 | D019 5631 | Power Supply Cord: Stopper: EU | 1 |
| 23 | B209 7617 | Power Supply Cord: Stopper: TWN | 1 |
| 23 | D019 5691 | Power Supply Cord: Stopper: CHN | 1 |
| 24 | D019 5831 | Bracket - Power Supply Cord | 1 |
| 25 | B121 5018 | Choke Coil | 1 |
| 26 | D019 5201 | Harness: Regist Sensor | 1 |
| 27 | AX64 0179 | Fan Motor: DC24V 2.4W | 1 |

| Index No. | Part No. | Description | Q'ty Per Assembly |
|-----------|------------|--|-------------------|
| 28 | AA14 3592 | Screw - M4x6 | 1 |
| 101 | 0451 3006N | Tapping Screw - 3x6 | |
| 102 | 0454 3006Q | Tapping Screw - M3x6 | |
| 103 | 0804 6123 | Hexagonal Bolt: W/Washer: M3x8 | |
| 104 | 0454 4006Q | Tapping Screw: 4x6 | |
| 105 | 1105 0488 | Harness Clamp | |
| 106 | 1105 0292 | Wire Saddle | |
| 107 | 1105 0296 | Spacer - KGLS-16RT | |
| 108 | 1204 2477 | Rocker Switch - AC250V 10A | |
| 109 | 1107 0652 | Fuse (Glass Case) - 10A - 125V | |
| 110 | 1107 0629 | Fuse (Ceramic Case) - 15A - 125V | |
| 111 | 1107 0391 | Fuse - 5A, 125V | |
| 112 | 1105 0487 | Harness Clamp | |
| 113 | 0451 3008N | Tapping Screw - M3x8 | |
| 114 | 1407 6362 | EEPROM: BR24L64-W | |
| 115 | 0954 3020N | Screw: Polished Round/Spring: M3x20 | |
| 116 | 1107 1303 | Fuse: Glass Cartridge: FSL 250V 5A(EM) | |
| 117 | 1107 1166 | Fuse: HT-8A-N5 | |

25.Frame Section (D017/D018/D019/D020/D084/D085)



25.Frame Section (D017/D018/D019/D020/D084/D085)

| Index No. | Part No. | Description | Q'ty Per Assembly |
|-----------|-----------|---|-------------------|
| 1 | B090 1085 | Bracket: Protect: Side Plate: Left Rear | 1 |
| 2 | D019 1106 | Guide Plate: Duct: Exhaust: C | 1 |
| 3 | B209 1105 | Fan Motor - MM80 | 1 |
| 4 | B209 1102 | Duct: Fan Motor | 1 |
| 5 | B090 5813 | Bracket: Micro Switch | 1 |
| 6 | B091 5821 | Tension Spring: Door Switch | 1 |
| 7 | D019 1088 | Hinge - Front Door | 1 |
| 8 | A267 1930 | Positioning Bracket - Laser Unit | 1 |
| 9 | D019 2565 | Left Grip Cover | 1 |
| 10 | D019 2564 | Left Grip | 1 |
| 11 | B091 5820 | Compression Spring: Door Switch | 1 |
| 12 | B092 5815 | Lever: Door Switch: Ass'y | 1 |
| 13 | AH01 0009 | Rubber Pad - H5 | 4 |
| 14 | A267 1059 | PCU Seal | 1 |
| 15 | D019 1091 | Bracket - PCU | 1 |
| 16 | D019 2562 | Right Front Grip | 1 |
| 16 | D019 2566 | Right Front Grip | 1 |
| 17 | D019 2567 | Cover - Right Front Grip | 1 |
| 18 | D019 1078 | Support Frame - Right Front | 1 |
| 19 | D019 1081 | Scanner Stay - Right Lower | 1 |
| 20 | D019 1079 | Support Frame - Right Rear | 1 |
| 21 | D019 2576 | Grip Bracket - Rear Left | 1 |
| 22 | D019 1083 | Guide Plate: Lengthwise: Left Rear | 1 |
| 23 | D019 1093 | Arm - Scanner | 1 |
| 24 | D019 1075 | Sponge Side Plate Rear (D018/D020) | 1 |
| 25 | D019 1086 | Seal Arm Scanner | 1 |
| 26 | D010 2554 | Supporter: Left: Ass'y | 2 |

| Index No. | Part No. | Description | Q'ty Per Assembly |
|-----------|------------|----------------------------------|-------------------|
| 101 | 0451 3006N | Tapping Screw - 3x6 | |
| 102 | 0454 3006Q | Tapping Screw - M3x6 | |
| 102 | 0802 5291 | Tapping Screw: Round Point: M3x6 | |
| 103 | 0314 0300N | Pan Head Screw: M4x30 | |
| 104 | 0313 0350N | Pan Head Screw: M3x35 | |
| 105 | 1204 2510 | Micro Switch | |
| 106 | 0451 4008N | Tapping Screw: 4x8 | |
| 107 | 0451 3008N | Tapping Screw - M3x8 | |

26.BCU Board (D017/D018/D019/D020/D084/D085)

CAPACITOR

| SYMBOL NO. | INDEX NO. | SYMBOL NO. | INDEX NO. | SYMBOL NO. | INDEX NO. | SYMBOL NO. | INDEX NO. | SYMBOL NO. | INDEX NO. | SYMBOL NO. | INDEX NO. | SYMBOL NO. | INDEX NO. |
|------------|-----------|------------|-----------|------------|-----------|------------|-----------|------------|-----------|------------|-----------|------------|-----------|
| C1 | 176 | C11 | 177 | C21 | 178 | C31 | 180 | C41 | 231 | C51 | 180 | C61 | 181 |
| C2 | 176 | C12 | 174 | C22 | 180 | C32 | 180 | C42 | 180 | C52 | 180 | C62 | 233 |
| --- | --- | C13 | 180 | C23 | 180 | C33 | 180 | C43 | 180 | C53 | 182 | C63 | 233 |
| C4 | 180 | C14 | 180 | C24 | 176 | C34 | 180 | C44 | 180 | C54 | 176 | C64 | 231 |
| C5 | 175 | C15 | 180 | C25 | 229 | C35 | 180 | C45 | 179 | C55 | 230 | C65 | 231 |
| C6 | 180 | C16 | 231 | C26 | 228 | C36 | 231 | C46 | 179 | C56 | 176 | C66 | 180 |
| C7 | 180 | C17 | 180 | C27 | 230 | C37 | 231 | C47 | 180 | C57 | 180 | C67 | 181 |
| C8 | 233 | C18 | 235 | C28 | 180 | C38 | 231 | C48 | 180 | C58 | 229 | C68 | 180 |
| C9 | 236 | C19 | 180 | C29 | 180 | C39 | 231 | C49 | 175 | C59 | 234 | C69 | 173 |
| --- | --- | C20 | 235 | --- | --- | C40 | 177 | C50 | 176 | C60 | 236 | C70 | 180 |

CAPACITOR

| SYMBOL NO. | INDEX NO. | SYMBOL NO. | INDEX NO. | SYMBOL NO. | INDEX NO. | SYMBOL NO. | INDEX NO. | SYMBOL NO. | INDEX NO. | SYMBOL NO. | INDEX NO. | SYMBOL NO. | INDEX NO. |
|------------|-----------|------------|-----------|------------|-----------|------------|-----------|------------|-----------|------------|-----------|------------|-----------|
| --- | --- | C81 | 177 | C500 | 232 | C511 | 231 | C521 | 231 | C531 | 233 | C541 | 233 |
| --- | --- | C82 | 174 | C501 | 176 | C512 | 231 | C522 | 231 | C532 | 233 | C542 | 234 |
| C73 | 181 | C83 | 174 | C503 | 176 | C513 | 231 | C523 | 176 | C533 | 236 | C543 | 235 |
| C74 | 175 | C84 | 236 | C504 | 231 | C514 | 231 | C524 | 176 | C534 | 235 | C544 | 236 |
| C75 | 175 | --- | --- | C505 | 231 | C515 | 232 | C525 | 232 | C535 | 176 | C545 | 176 |
| C76 | 172 | --- | --- | C506 | 231 | C516 | 232 | C526 | 176 | C536 | 235 | C546 | 176 |
| C77 | 236 | --- | --- | C507 | 231 | C517 | 231 | C527 | 176 | C537 | 235 | C547 | 232 |
| C78 | 176 | C88 | 180 | C508 | 231 | C518 | 231 | C528 | 176 | C538 | 176 | C548 | 176 |
| C79 | 177 | C89 | 180 | C509 | 231 | C519 | 231 | C529 | 176 | C539 | 235 | C549 | 176 |
| C80 | 177 | --- | --- | C510 | 231 | C520 | 231 | C530 | 234 | C540 | 233 | C550 | 231 |

26.BCU Board (D017/D018/D019/D020/D084/D085)

CAPACITOR

| SYMBOL NO. | INDEX NO. | SYMBOL NO. | INDEX NO. | SYMBOL NO. | INDEX NO. | SYMBOL NO. | INDEX NO. | SYMBOL NO. | INDEX NO. | SYMBOL NO. | INDEX NO. | SYMBOL NO. | INDEX NO. |
|------------|-----------|------------|-----------|------------|-----------|------------|-----------|------------|-----------|------------|-----------|------------|-----------|
| C551 | 231 | C561 | 231 | C571 | 236 | C581 | 176 | C591 | 231 | C601 | 236 | C611 | 176 |
| C552 | 231 | C562 | 176 | C572 | 176 | C582 | 176 | C592 | 176 | C602 | 176 | C612 | 231 |
| C553 | 231 | C563 | 176 | C573 | 176 | C583 | 183 | C593 | 231 | C603 | 236 | C613 | 231 |
| C554 | 231 | C564 | 183 | C574 | 176 | C584 | 176 | C594 | 236 | C604 | 176 | C614 | 236 |
| C555 | 231 | C565 | 182 | C575 | 236 | C585 | 231 | C595 | 176 | C605 | 176 | C615 | 176 |
| C556 | 231 | C566 | 182 | C576 | 176 | C586 | 176 | C596 | 236 | C606 | 236 | C616 | 176 |
| C557 | 231 | C567 | 236 | C577 | 236 | C587 | 182 | C597 | 236 | C607 | 176 | C617 | 182 |
| C558 | 236 | C568 | 236 | C578 | 176 | C588 | 231 | C598 | 176 | C608 | 231 | C618 | 176 |
| C559 | 176 | C569 | 176 | C579 | 236 | C589 | 182 | C599 | 176 | C609 | 176 | C619 | 176 |
| C560 | 176 | C570 | 235 | C580 | 235 | C590 | 176 | C600 | 236 | C610 | 234 | C620 | 176 |

CAPACITOR

| SYMBOL NO. | INDEX NO. | SYMBOL NO. | INDEX NO. | SYMBOL NO. | INDEX NO. | SYMBOL NO. | INDEX NO. | SYMBOL NO. | INDEX NO. | SYMBOL NO. | INDEX NO. | SYMBOL NO. | INDEX NO. |
|------------|-----------|------------|-----------|------------|-----------|------------|-----------|------------|-----------|------------|-----------|------------|-----------|
| C621 | 176 | C631 | 231 | C641 | 234 | C651 | 176 | C661 | 233 | C671 | 234 | C681 | 176 |
| C622 | 176 | C632 | 176 | C642 | 231 | --- | --- | C662 | 236 | C672 | 236 | C682 | 176 |
| C623 | 176 | C633 | 231 | C643 | 231 | C653 | 236 | --- | --- | C673 | 234 | C683 | 176 |
| C624 | 176 | C634 | 231 | C644 | 182 | C654 | 176 | C664 | 236 | C674 | 176 | C684 | 236 |
| C625 | 182 | C635 | 182 | C645 | 231 | C655 | 176 | --- | --- | C675 | 236 | --- | --- |
| C626 | 182 | C636 | 231 | C646 | 182 | C656 | 176 | C666 | 176 | C676 | 176 | --- | --- |
| C627 | 236 | C637 | 176 | C647 | 182 | C657 | 236 | --- | --- | C677 | 176 | C687 | 176 |
| C628 | 236 | C638 | 182 | C648 | 176 | C658 | 233 | --- | --- | C678 | 176 | C688 | 176 |
| C629 | 231 | C639 | 231 | C649 | 182 | C659 | 233 | --- | --- | C679 | 176 | C689 | 176 |
| C630 | 231 | C640 | 231 | C650 | 176 | C660 | 176 | C670 | 176 | C680 | 176 | C690 | 176 |

26.BCU Board (D017/D018/D019/D020/D084/D085)

CAPACITOR

| SYMBOL NO. | INDEX NO. |
|------------|-----------|
| C691 | 176 |
| C692 | 176 |
| C693 | 176 |
| C694 | 176 |
| C695 | 176 |
| C696 | 176 |
| C697 | 176 |
| --- | --- |
| C699 | 176 |
| C700 | 176 |

| SYMBOL NO. | INDEX NO. |
|------------|-----------|
| C701 | 176 |
| C702 | 176 |
| C703 | 176 |
| C704 | 176 |
| C705 | 176 |
| C706 | 176 |
| C707 | 176 |
| C708 | 176 |
| C709 | 176 |
| C710 | 176 |

| SYMBOL NO. | INDEX NO. |
|------------|-----------|
| --- | --- |
| --- | --- |
| --- | --- |
| --- | --- |
| --- | --- |
| CN36 | 131 |
| --- | --- |
| --- | --- |
| --- | --- |
| --- | --- |

CONNECTOR

| SYMBOL NO. | INDEX NO. |
|------------|-----------|
| CN301 | 128 |
| CN302 | 129 |
| CN303 | 101 |
| CN304 | 121 |
| CN305 | 116 |
| CN306 | 108 |
| CN307 | 122 |
| CN308 | 106 |
| CN309 | 125 |
| CN310 | 120 |

| SYMBOL NO. | INDEX NO. |
|------------|-----------|
| CN311 | 111 |
| CN312 | 115 |
| CN313 | 107 |
| CN314 | 110 |
| CN315 | 101 |
| CN316 | 106 |
| --- | --- |
| --- | --- |
| --- | --- |
| CN320 | 108 |

| SYMBOL NO. | INDEX NO. |
|------------|-----------|
| CN321 | 109 |
| --- | --- |
| CN323 | 102 |
| CN324 | 122 |
| CN325 | 109 |
| CN326 | 104 |
| CN327 | 105 |
| --- | --- |
| --- | --- |
| CN330 | 123 |

| SYMBOL NO. | INDEX NO. |
|------------|-----------|
| CN331 | 119 |
| CN332 | 130 |
| CN333 | 112 |
| CN334 | 117 |
| CN335 | 124 |
| CN336 | 113 |
| --- | --- |
| --- | --- |
| CN340 | 120 |

CONNECTOR

| SYMBOL NO. | INDEX NO. |
|------------|-----------|
| CN341 | 123 |
| --- | --- |
| CN343 | 114 |
| --- | --- |
| CN345 | 118 |
| CN346 | 103 |
| --- | --- |
| --- | --- |
| --- | --- |
| CN350 | 127 |

| SYMBOL NO. | INDEX NO. |
|------------|-----------|
| CN351 | 103 |
| CN352 | 126 |

DIODE

| SYMBOL NO. | INDEX NO. |
|------------|-----------|
| D1 | 143 |
| --- | --- |
| --- | --- |
| D4 | 139 |
| D5 | 139 |
| --- | --- |
| D7 | 139 |
| D8 | 143 |
| D9 | 141 |
| --- | --- |

| SYMBOL NO. | INDEX NO. |
|------------|-----------|
| --- | --- |
| --- | --- |
| --- | --- |
| --- | --- |
| --- | --- |
| --- | --- |
| --- | --- |
| --- | --- |
| D500 | 142 |

| SYMBOL NO. | INDEX NO. |
|------------|-----------|
| D501 | 142 |

FUSE

| SYMBOL NO. | INDEX NO. |
|------------|-----------|
| F1 | 132 |

FIL

| SYMBOL NO. | INDEX NO. |
|------------|-----------|
| FIL1 | 197 |
| FIL2 | 197 |
| FIL3 | 197 |

26.BCU Board (D017/D018/D019/D020/D084/D085)

IC

| SYMBOL NO. | INDEX NO. |
|------------|-----------|
| IC1 | 154 |
| IC2 | 157 |
| IC3 | 157 |
| IC4 | 161 |
| IC5 | 147 |
| | |
| IC6 | 148 |
| IC7 | 152 |
| IC8 | 163 |
| IC9 | 147 |
| IC10 | 151 |

| SYMBOL NO. | INDEX NO. |
|------------|-----------|
| IC11 | 162 |
| IC12 | 159 |
| IC13 | 166 |
| IC14 | 159 |
| IC15 | 152 |
| | |
| IC16 | 153 |
| IC17 | 149 |
| IC18 | 151 |
| IC19 | 153 |
| IC20 | 150 |

| SYMBOL NO. | INDEX NO. |
|------------|-----------|
| IC21 | 156 |
| IC22 | 155 |
| IC23 | 150 |
| IC24 | 156 |
| IC25 | 164 |
| | |
| IC26 | 157 |
| IC27 | 237 |
| IC28 | 154 |
| IC29 | 158 |
| IC30 | 152 |

| SYMBOL NO. | INDEX NO. |
|------------|-----------|
| IC31 | 238 |
| IC32 | 149 |
| IC33 | 165 |
| IC34 | 161 |
| IC35 | 154 |
| | |
| --- | --- |
| IC37 | 154 |
| IC38 | 163 |
| IC39 | 148 |
| IC40 | 148 |

| SYMBOL NO. | INDEX NO. |
|------------|-----------|
| IC41 | 151 |
| IC42 | 160 |

LED

| SYMBOL NO. | INDEX NO. |
|------------|-----------|
| LED1 | 145 |
| LED2 | 144 |

OSC

| SYMBOL NO. | INDEX NO. |
|------------|-----------|
| OSC1 | 169 |
| OSC2 | 170 |

Q

| SYMBOL NO. | INDEX NO. |
|------------|-----------|
| --- | --- |
| --- | --- |
| Q3 | 137 |
| --- | --- |
| --- | --- |
| | |
| --- | --- |
| --- | --- |
| --- | --- |
| --- | --- |
| --- | --- |

| SYMBOL NO. | INDEX NO. |
|------------|-----------|
| --- | --- |
| --- | --- |
| --- | --- |
| --- | --- |
| --- | --- |
| | |
| --- | --- |
| --- | --- |
| --- | --- |
| --- | --- |
| Q500 | 135 |

| SYMBOL NO. | INDEX NO. |
|------------|-----------|
| Q501 | 136 |
| Q502 | 138 |
| Q503 | 134 |
| Q504 | 138 |
| Q505 | 135 |

RESISTOR

| SYMBOL NO. | INDEX NO. |
|------------|-----------|
| R1 | 203 |
| R2 | 204 |
| R3 | 204 |
| R4 | 203 |
| R5 | 204 |
| | |
| R6 | 203 |
| R7 | 204 |
| R8 | 203 |
| R9 | 204 |
| --- | --- |

| SYMBOL NO. | INDEX NO. |
|------------|-----------|
| R11 | 227 |
| R12 | 204 |
| R13 | 171 |
| R14 | 225 |
| R15 | 204 |
| | |
| R16 | 204 |
| R17 | 204 |
| R18 | 213 |
| R19 | 217 |
| R20 | 217 |

| SYMBOL NO. | INDEX NO. |
|------------|-----------|
| R21 | 217 |
| R22 | 217 |
| --- | --- |
| R24 | 204 |
| R25 | 217 |
| | |
| R26 | 204 |
| R27 | 204 |
| R28 | 204 |
| R29 | 217 |
| R30 | 217 |

| SYMBOL NO. | INDEX NO. |
|------------|-----------|
| R31 | 217 |
| R32 | 212 |
| R33 | 217 |
| R34 | 217 |
| R35 | 204 |
| | |
| R36 | 204 |
| R37 | 217 |
| R38 | 217 |
| R39 | 217 |
| R40 | 204 |

26.BCU Board (D017/D018/D019/D020/D084/D085)

RESISTOR

| SYMBOL NO. | INDEX NO. | SYMBOL NO. | INDEX NO. | SYMBOL NO. | INDEX NO. | SYMBOL NO. | INDEX NO. | SYMBOL NO. | INDEX NO. | SYMBOL NO. | INDEX NO. | SYMBOL NO. | INDEX NO. |
|------------|-----------|------------|-----------|------------|-----------|------------|-----------|------------|-----------|------------|-----------|------------|-----------|
| R41 | 217 | R51 | 217 | R61 | 217 | R71 | 217 | R81 | 205 | R91 | 224 | --- | --- |
| R42 | 217 | R52 | 216 | R62 | 217 | R72 | 217 | R82 | 202 | R92 | 202 | --- | --- |
| R43 | 217 | R53 | 217 | R63 | 202 | R73 | 217 | R83 | 203 | R93 | 209 | --- | --- |
| R44 | 217 | R54 | 217 | R64 | 211 | R74 | 217 | R84 | 209 | R94 | 199 | --- | --- |
| R45 | 217 | R55 | 203 | R65 | 217 | --- | --- | R85 | 209 | R95 | 202 | --- | --- |
| R46 | 203 | R56 | 204 | R66 | 217 | R76 | 217 | R86 | 204 | R96 | 209 | --- | --- |
| R47 | 212 | R57 | 203 | R67 | 217 | R77 | 204 | R87 | 202 | --- | --- | --- | --- |
| R48 | 219 | R58 | 217 | R68 | 211 | R78 | 202 | R88 | 222 | --- | --- | --- | --- |
| R49 | 205 | R59 | 217 | R69 | 217 | R79 | 204 | R89 | 202 | R99 | 204 | --- | --- |
| R50 | 220 | R60 | 217 | R70 | 217 | R80 | 203 | R90 | 226 | --- | --- | R500 | 204 |

RESISTOR

| SYMBOL NO. | INDEX NO. | SYMBOL NO. | INDEX NO. | SYMBOL NO. | INDEX NO. | SYMBOL NO. | INDEX NO. | SYMBOL NO. | INDEX NO. | SYMBOL NO. | INDEX NO. | SYMBOL NO. | INDEX NO. |
|------------|-----------|------------|-----------|------------|-----------|------------|-----------|------------|-----------|------------|-----------|------------|-----------|
| R501 | 204 | R511 | 204 | R521 | 221 | R531 | 202 | R541 | 209 | R551 | 204 | R561 | 204 |
| R502 | 203 | R512 | 204 | R522 | 204 | R532 | 203 | R542 | 217 | R552 | 203 | R562 | 203 |
| R503 | 209 | R513 | 201 | R523 | 204 | R533 | 204 | R543 | 213 | R553 | 217 | R563 | 217 |
| R504 | 203 | R514 | 209 | R524 | 204 | R534 | 205 | R544 | 204 | R554 | 204 | R564 | 204 |
| R505 | 204 | R515 | 209 | R525 | 203 | R535 | 209 | R545 | 204 | R555 | 222 | R565 | 204 |
| R506 | 209 | R516 | 209 | R526 | 204 | R536 | 204 | R546 | 203 | R556 | 204 | R566 | 212 |
| R507 | 204 | R517 | 213 | R527 | 204 | R537 | 203 | R547 | 208 | R557 | 204 | --- | --- |
| R508 | 208 | R518 | 213 | R528 | 204 | R538 | 204 | R548 | 222 | R558 | 204 | R568 | 203 |
| R509 | 201 | R519 | 215 | R529 | 204 | R539 | 203 | R549 | 204 | R559 | 203 | R569 | 204 |
| R510 | 204 | R520 | 215 | R530 | 213 | R540 | 212 | R550 | 209 | R560 | 217 | R570 | 223 |

26.BCU Board (D017/D018/D019/D020/D084/D085)

RESISTOR

| SYMBOL NO. | INDEX NO. | SYMBOL NO. | INDEX NO. | SYMBOL NO. | INDEX NO. | SYMBOL NO. | INDEX NO. | SYMBOL NO. | INDEX NO. | SYMBOL NO. | INDEX NO. | SYMBOL NO. | INDEX NO. |
|------------|-----------|------------|-----------|------------|-----------|------------|-----------|------------|-----------|------------|-----------|------------|-----------|
| R571 | 222 | R581 | 203 | R591 | 203 | R601 | 210 | R611 | 203 | R621 | 203 | R631 | 217 |
| R572 | 204 | R582 | 204 | R592 | 203 | R602 | 203 | R612 | 204 | R622 | 206 | R632 | 204 |
| R573 | 203 | R583 | 204 | R593 | 217 | R603 | 204 | R613 | 213 | R623 | 204 | R633 | 204 |
| R574 | 204 | R584 | 217 | R594 | 217 | R604 | 204 | R614 | 208 | R624 | 204 | R634 | 204 |
| R575 | 204 | R585 | 204 | R595 | 217 | R605 | 217 | R615 | 203 | R625 | 204 | R635 | 217 |
| --- | --- | R586 | 204 | R596 | 204 | R606 | 200 | R616 | 204 | R626 | 204 | R636 | 207 |
| R577 | 204 | R587 | 212 | R597 | 217 | R607 | 200 | R617 | 221 | R627 | 204 | R637 | 204 |
| R578 | 212 | R588 | 203 | R598 | 217 | R608 | 203 | R618 | 214 | R628 | 204 | R638 | 204 |
| R579 | 217 | R589 | 204 | R599 | 217 | R609 | 217 | R619 | 217 | R629 | 217 | R639 | 204 |
| R580 | 217 | R590 | 204 | R600 | 217 | R610 | 217 | R620 | 203 | R630 | 204 | R640 | 203 |

RESISTOR

| SYMBOL NO. | INDEX NO. | SYMBOL NO. | INDEX NO. | SYMBOL NO. | INDEX NO. | SYMBOL NO. | INDEX NO. | SYMBOL NO. | INDEX NO. | REG NO. | INDEX NO. | SYMBOL NO. | INDEX NO. |
|------------|-----------|------------|-----------|------------|-----------|------------|-----------|------------|-----------|---------|-----------|------------|-----------|
| R641 | 204 | R651 | 203 | --- | --- | R671 | 203 | R701 | 217 | REG1 | 167 | RN1 | 184 |
| R642 | 204 | R652 | 204 | R662 | 203 | R672 | 204 | R702 | 217 | REG2 | 168 | RN2 | 191 |
| R643 | 204 | R653 | 203 | R663 | 204 | R673 | 203 | R703 | 204 | | | RN3 | 195 |
| R644 | 198 | R654 | 204 | R664 | 212 | R674 | 204 | R704 | 217 | | | RN4 | 185 |
| R645 | 203 | R655 | 204 | R665 | 204 | R675 | 203 | R705 | 218 | | | RN5 | 188 |
| R646 | 203 | --- | --- | R666 | 204 | R676 | 204 | | | | | RN6 | 188 |
| R647 | 198 | R657 | 213 | R667 | 204 | R677 | 203 | | | | | RN7 | 191 |
| R648 | 203 | R658 | 204 | R668 | 204 | R678 | 204 | | | | | RN8 | 187 |
| R649 | 200 | --- | --- | R669 | 213 | --- | --- | | | | | RN9 | 191 |
| R650 | 204 | R660 | 213 | R670 | 221 | --- | --- | | | | | RN10 | 184 |

REG

RN

26.BCU Board (D017/D018/D019/D020/D084/D085)

RN

| SYMBOL NO. | INDEX NO. | SYMBOL NO. | INDEX NO. | SYMBOL NO. | INDEX NO. | SYMBOL NO. | INDEX NO. | SYMBOL NO. | INDEX NO. | SYMBOL NO. | INDEX NO. | SYMBOL NO. | INDEX NO. |
|------------|-----------|------------|-----------|------------|-----------|------------|-----------|------------|-----------|------------|-----------|------------|-----------|
| RN11 | 196 | RN21 | 191 | RN31 | 195 | RN41 | 185 | RN51 | 195 | RN61 | 185 | RN71 | 196 |
| RN12 | 191 | RN22 | 185 | RN32 | 185 | RN42 | 185 | RN52 | 185 | RN62 | 185 | RN72 | 191 |
| RN13 | 192 | RN23 | 195 | RN33 | 185 | RN43 | 184 | RN53 | 187 | RN63 | 185 | RN73 | 185 |
| RN14 | 191 | RN24 | 196 | RN34 | 189 | RN44 | 185 | RN54 | 185 | RN64 | 192 | RN74 | 186 |
| RN15 | 191 | RN25 | 195 | RN35 | 195 | RN45 | 184 | RN55 | 184 | RN65 | 191 | RN75 | 193 |
| RN16 | 195 | RN26 | 185 | RN36 | 195 | RN46 | 184 | RN56 | 185 | RN66 | 184 | RN76 | 184 |
| RN17 | 195 | RN27 | 195 | --- | --- | RN47 | 185 | RN57 | 185 | RN67 | 191 | RN77 | 187 |
| RN18 | 191 | RN28 | 191 | RN38 | 191 | RN48 | 185 | RN58 | 185 | RN68 | 194 | RN78 | 184 |
| RN19 | 195 | RN29 | 195 | RN39 | 185 | RN49 | 185 | RN59 | 185 | RN69 | 194 | RN79 | 187 |
| RN20 | 196 | --- | --- | RN40 | 185 | RN50 | 185 | RN60 | 195 | RN70 | 194 | RN80 | 191 |

RN

| SYMBOL NO. | INDEX NO. |
|------------|-----------|
| RN81 | 196 |
| RN82 | 191 |
| RN83 | 187 |
| RN84 | 184 |
| RN85 | 190 |

SW

| SYMBOL NO. | INDEX NO. |
|------------|-----------|
| SW2 | 133 |

ZD

| SYMBOL NO. | INDEX NO. |
|------------|-----------|
| ZD1 | 140 |
| ZD2 | 140 |

TH

| SYMBOL NO. | INDEX NO. |
|------------|-----------|
| TH1 | 146 |

26.BCU Board (D017/D018/D019/D020/D084/D085)

| Index No. | Part No. | Description | Q'ty Per Assembly |
|-----------|-----------|----------------------------|-------------------|
| * | D019 5055 | BCU Board – 33 (D019/D020) | 1 |
| * | D019 5056 | BCU Board – 25 (D017/D018) | 1 |
| * | D085 5055 | PCB: BCU: 33 (D085) | 1 |
| * | D085 5056 | PCB: BCU: 28 (D084) | 1 |
| 101 | 1102 4201 | Connector - 2P | |
| 102 | 1102 4203 | CT Header - 4P | |

| Index No. | Part No. | Description | Q'ty Per Assembly |
|-----------|-----------|--------------------------------|-------------------|
| 103 | 1102 4621 | CT Header - 4P | |
| 104 | 1102 4205 | CT Header - 6P | |
| 105 | 1102 4206 | Connector - 7P | |
| 106 | 1102 4209 | CT Header - 10P | |
| 107 | 1102 4627 | Connector - 10P | |
| 108 | 1102 4210 | Connector - 11P | |
| 109 | 1102 4211 | CT Header - 12P | |
| 110 | 1102 5007 | CT Header - 14P | |
| 111 | 1102 5306 | Connector - 7P | |
| 112 | 1102 6295 | Connector - 2P | |
| 113 | 1102 8470 | Connector - 55447-0610 | |
| 114 | 1102 6297 | Connector - 4P | |
| 115 | 1102 6662 | Connector - 4P | |
| 116 | 1102 6403 | Connector - 30P | |
| 117 | 1102 8476 | Connector - 55447-1210 | |
| 118 | 1102 8477 | Connector - 13P | |
| 119 | 1103 3993 | Connector | |
| 120 | 1103 3992 | Connector | |
| 121 | 1103 3984 | Connector | |
| 122 | 1103 3986 | Connector | |
| 123 | 1103 3988 | Connector | |
| 124 | 1103 3990 | Connector | |
| 125 | 1103 4004 | Connector | |
| 126 | 1103 3173 | Connector: FH12-36S-0.5SV(89) | |
| 127 | 1103 3177 | Connector - FH12-45S-0.5SV(89) | |
| 128 | 1103 3178 | Connector - FH12-50S-0.5SH(89) | |
| 129 | 1103 3207 | Connector - FH12-36S-0.5SH(89) | |
| 130 | 1103 3663 | Connector: 55451-1670 | |
| 131 | 1104 0764 | IC Socket - 8 PIN | |
| 132 | 1109 0042 | Fuse: MINISMDC150F | |
| 133 | 1204 2756 | Dip Switch: NDI-04H-V | |
| 134 | 1400 0381 | Transistor - 2SA1036KR | |
| 135 | 1400 0702 | Transistor - DTD143EK | |
| 136 | 1400 0855 | Transistor - 2SA1235A | |
| 137 | 1400 1249 | Transistor: SRA2201UF | |

| Index No. | Part No. | Description | Q'ty Per Assembly |
|-----------|-----------|---------------------------------|-------------------|
| 138 | 1401 1056 | FET - 2SK2158 | |
| 139 | 1402 1337 | Diode-RB731U | |
| 140 | 1402 1663 | Diode - ZTP12B | |
| 141 | 1402 1854 | Diode: RF071M2S | |
| 142 | 1402 1911 | Diode - SDS511 | |
| 143 | 1402 1977 | Diode: SDB310Q | |
| 144 | 1403 0953 | LED - SML-310MT | |
| 145 | 1403 0996 | LED - SML-310VT | |
| 146 | 1404 0360 | Thermistor - 103HT | |
| 147 | 1407 1535 | IC - TD62308AP | |
| 148 | 1407 2219 | IC - TD62003AP | |
| 149 | 1407 5192 | CMOS Logic: TC7SZ04FU | |
| 150 | 1407 5347 | IC - SN74LV08APW | |
| 151 | 1407 5351 | IC - SN74LV14APW | |
| 152 | 1407 5353 | IC - SN74LV244APW | |
| 153 | 1407 5463 | IC - SN74LV245APW | |
| 154 | 1407 5469 | IC - SN74LV07APW | |
| 155 | 1407 5509 | IC - SN74AHCT08PW | |
| 156 | 1407 5633 | IC - SN74LV574APW | |
| 157 | 1407 5713 | IC: SN74LV06APW | |
| 158 | 1407 6166 | IC - ESOC | |
| 159 | 1407 6759 | Custom IC: EIO | |
| 160 | 1407 6804 | CMOS Logic: TC7SZ04FU | |
| 161 | 1407 6847 | Motor Control IC: STK672-600B-E | |
| 162 | 1407 6777 | CMOS Logic: TC7SZ14FU | |
| 163 | 1408 1204 | IC - TA8083P | |
| 164 | 1408 1550 | IC - LM2902PW | |
| 165 | 1408 1826 | IC - R3112Q421A | |
| 166 | 1408 1911 | Comparator - LM2903PW | |
| 167 | 1408 2247 | Series Regulator: R1114N181B-FA | |
| 168 | 1408 2514 | Series Regulator: UPC2933BT-AZ | |
| 169 | 1503 1004 | Oscillator - 19.6608MHz | |
| 170 | 1503 1215 | Crystal Oscillator - 17.5MHz | |
| 171 | 1600 1238 | Resistor - 220Ω 3W | |
| 172 | 1604 4728 | Capacitor - 100μF±20% 16V | |

| Index No. | Part No. | Description | Q'ty Per Assembly |
|-----------|-----------|---|-------------------|
| 173 | 1604 4729 | Capacitor - 47μF±20% 16V | |
| 174 | 1604 4759 | Capacitor - 10μF±20% 50V | |
| 175 | 1604 5066 | Capacitor 100μF: ±20%: 50V | |
| 176 | 1605 1137 | Capacitor - 470pF ±10% 50V | |
| 177 | 1605 1148 | Capacitor - 0.1μF+80-20% 50V | |
| 178 | 1605 1200 | Capacitor - 10pF ±0.5pF 50V | |
| 179 | 1605 1208 | Capacitor: 100pF: ±5%: 50V | |
| 180 | 1605 1289 | Capacitor - 0.1μF±10% 10V | |
| 181 | 1605 1347 | Capacitor - 1μF: +80-20%: 16V | |
| 182 | 1605 1353 | Capacitor - 0.1μF±10% 25V | |
| 183 | 1605 1490 | Capacitor: 2.2μF: ±10%: 25V | |
| 184 | 1609 0006 | Resistor: 10K Ω: ±5%: 1/16W | |
| 185 | 1609 0007 | Resistor - 68Ω ±5% 1/16W | |
| 186 | 1609 0012 | Resistor: 3.3K Ω: ±5%: 1/16W | |
| 187 | 1609 0015 | Resistor - 1KΩ ±5%: 1/16W | |
| 188 | 1609 0018 | Resistor: 2.2K OHM: ±5%: 1/16W | |
| 189 | 1609 0025 | Resistor - 100Ω ±5% 1/16W | |
| 190 | 1609 0030 | Resistor Array: 220 Ω: ±5%: 1/16W: 8Number | |
| 191 | 1609 0039 | Resistor Array: 10K Ω: ±5%: 1/16W: 4Number | |
| 192 | 1609 0041 | Resistor Array: 100 Ω: ±5%: 1/16W: 4Number | |
| 193 | 1609 0042 | Resistor Array: 3.3K Ω: ±5%: 1/16W: 4Number | |
| 194 | 1609 0044 | Resistor Array: 33 Ω: ±5%: 1/16W: 4Number | |
| 195 | 1609 0048 | Resistor Array: 68 Ω: ±5%: 1/16W: Number | |
| 196 | 1609 0049 | Resistor Array: 1K Ω: ±5%: 1/16W: 4Number | |
| 197 | 1632 0000 | Resistor - 0 Ω 1/8W | |
| 198 | 1634 0000 | Resistor - 0 Ω 1/16W | |
| 199 | 1650 2339 | Resistor: 3.3 Ω: ±5%: 1/4W: 3216 | |
| 200 | 1650 2472 | Chip Resistor-4.7K | |
| 201 | 1650 4100 | Resistor - 10Ω ±5% 1/10W | |
| 202 | 1650 4101 | Resistor - 100Ω±5%1/10W | |
| 203 | 1650 4102 | Resistor - 1KΩ ±5% 1/10W | |
| 204 | 1650 4103 | Resistor - 10KΩ ±5% 1/10W | |
| 205 | 1650 4105 | Resistor - 1MΩ ±5% 1/10W | |
| 206 | 1650 4203 | Resistor - 20KΩ ±5% 1/10W | |
| 207 | 1650 4220 | Chip Resistor - 22Ω ±5% 1/10W | |

| | | |
|-----|-----------|-----------------------------------|
| 208 | 1650 4221 | Resistor - 220Ω±5%1/10W |
| 209 | 1650 4222 | Resistor - 2.2KΩ±5%1/10W |
| 210 | 1650 4223 | Resistor - 22KΩ±5%1/10W |
| 211 | 1650 4271 | Resistor - 270Ω±5%1/10W |
| 212 | 1650 4330 | Chip Resistor - 33Ω ±5% 1/10W |
| 213 | 1650 4332 | Resistor - 3.3KΩ±5%1/10W |
| 214 | 1650 4392 | Chip Resistor - 3.9KΩ±5%1/10W |
| 215 | 1650 4472 | Resistor - 4.7KΩ ±5% 1/10W |
| 216 | 1650 4560 | Chip Resistor - 56Ω ±5% 1/10W |
| 217 | 1650 4680 | Resistor - 68Ω±5%1/10W |
| 218 | 1654 1003 | Resistor - 100KΩ±1%1/10W |
| 219 | 1654 1004 | Chip Resistor - 1MΩ ±1% 1/10W |
| 220 | 1654 1501 | Resistor - 1.5K Ω ±1% 1/10W 1608 |
| 221 | 1654 1542 | Resistor - 15.4K Ω ±1% 1/10W 1608 |
| 222 | 1654 2002 | Resistor - 20KΩ±1%1/10W |
| 223 | 1654 2401 | Resistor - 2.4KΩ ±1% 1/10W |
| 224 | 1654 3090 | Resistor: 309 Ω: ±1%: 1/10W: 1608 |
| 225 | 1654 5600 | Resistor - 560Ω±1% 1/10W |
| 226 | 1654 3901 | Resistor - 3.9KΩ±1% 1/10W |
| 227 | 1654 5231 | Resistor - 5.23KΩ±1%1/10W |
| 228 | 1660 2101 | Capacitor - 100pF - ±10% - 50V |
| 229 | 1660 2120 | Capacitor - 12 pF ±5% 50V |
| 230 | 1660 2150 | Capacitor - 15pF ±5% 50V |
| 231 | 1660 2470 | Capacitor - 47pF ±5% 50V |
| 232 | 1660 2471 | Capacitor - 470pF - ±5% - 50V |
| 233 | 1660 4102 | Capacitor - 1000pF ±10% 50V |
| 234 | 1660 4103 | Capacitor - 10000pF - ±10% - 50V |
| 235 | 1660 4472 | Capacitor - 4700pF±10% 50V |
| 236 | 1660 8104 | Capacitor - 0.1μF+80-20% 25V |
| 237 | 1902 0069 | SRAM - 4mx16 3.3V G1 |
| 238 | 1906 0101 | Flash Memory: S29GL032A90TFIR40 |

27.Controller Board (D017/D018/D019/D020/D084/D085)

BAT

| SYMBOL NO. | INDEX NO. |
|------------|-----------|
| BAT1 | 114 |

CAPACITOR

| SYMBOL NO. | INDEX NO. |
|------------|-----------|
| --- | --- |
| --- | --- |
| --- | --- |
| C4 | 195 |
| C5 | 193 |
| | |
| C6 | 186 |
| C7 | 189 |
| C8 | 183 |
| C9 | 186 |
| C10 | 212 |

| SYMBOL NO. | INDEX NO. |
|------------|-----------|
| C11 | 195 |
| C12 | 198 |
| C13 | 182 |
| C14 | 218 |
| --- | --- |
| | |
| --- | --- |
| C17 | 195 |
| --- | --- |
| C19 | 195 |
| C20 | 198 |

| SYMBOL NO. | INDEX NO. |
|------------|-----------|
| C21 | 195 |
| --- | --- |
| C23 | 195 |
| C24 | 182 |
| C25 | 193 |
| | |
| --- | --- |
| C27 | 181 |
| C28 | 181 |
| C29 | 193 |
| C30 | 218 |

| SYMBOL NO. | INDEX NO. |
|------------|-----------|
| C31 | 193 |
| C32 | 180 |
| C33 | 212 |
| --- | --- |
| --- | --- |
| | |
| --- | --- |
| --- | --- |
| --- | --- |
| C39 | 180 |
| --- | --- |

| SYMBOL NO. | INDEX NO. |
|------------|-----------|
| C41 | 186 |
| C42 | 188 |
| C43 | 209 |
| C44 | 194 |
| C45 | 186 |
| | |
| C46 | 195 |
| C47 | 213 |
| C48 | 192 |
| C49 | 218 |
| C50 | 182 |

| SYMBOL NO. | INDEX NO. |
|------------|-----------|
| C51 | 195 |
| C52 | 195 |
| --- | --- |
| C54 | 195 |
| C55 | 195 |
| | |
| C56 | 182 |
| C57 | 195 |
| C58 | 195 |
| C59 | 195 |
| C60 | 195 |

CAPACITOR

| SYMBOL NO. | INDEX NO. |
|------------|-----------|
| C61 | 192 |
| C62 | 208 |
| C63 | 208 |
| C64 | 189 |
| --- | --- |
| | |
| C66 | 195 |
| C67 | 205 |
| C68 | 195 |
| C69 | 205 |
| C70 | 200 |

| SYMBOL NO. | INDEX NO. |
|------------|-----------|
| C71 | 188 |
| C72 | 197 |
| C73 | 189 |
| C74 | 195 |
| C75 | 195 |
| | |
| C76 | 215 |
| C77 | 195 |
| C78 | 189 |
| C79 | 195 |
| C80 | 192 |

| SYMBOL NO. | INDEX NO. |
|------------|-----------|
| C81 | 185 |
| --- | --- |
| --- | --- |
| C84 | 192 |
| C85 | 205 |
| | |
| C86 | 192 |
| C87 | 192 |
| C88 | 200 |
| C89 | 198 |
| C90 | 192 |

| SYMBOL NO. | INDEX NO. |
|------------|-----------|
| C91 | 189 |
| C92 | 193 |
| C93 | 195 |
| C94 | 189 |
| C95 | 189 |
| | |
| C96 | 195 |
| C97 | 189 |
| C98 | 182 |
| C99 | 195 |
| --- | --- |

| SYMBOL NO. | INDEX NO. |
|------------|-----------|
| --- | --- |
| C102 | 186 |
| C103 | 189 |
| C104 | 184 |
| --- | --- |
| | |
| --- | --- |
| C107 | 182 |
| C108 | 189 |
| C109 | 192 |
| C110 | 205 |

| SYMBOL NO. | INDEX NO. |
|------------|-----------|
| C111 | 183 |
| C112 | 205 |
| C113 | 205 |
| C114 | 195 |
| C115 | 189 |
| | |
| C116 | 195 |
| C117 | 210 |
| C118 | 188 |
| C119 | 218 |
| C120 | 189 |

| SYMBOL NO. | INDEX NO. |
|------------|-----------|
| C121 | 182 |
| C122 | 211 |
| C123 | 195 |
| C124 | 179 |
| C125 | 195 |
| | |
| C126 | 195 |
| C127 | 195 |
| C128 | 195 |
| C129 | 183 |
| C130 | 201 |

27.Controller Board (D017/D018/D019/D020/D084/D085)

CAPACITOR

| SYMBOL NO. | INDEX NO. | SYMBOL NO. | INDEX NO. | SYMBOL NO. | INDEX NO. | SYMBOL NO. | INDEX NO. | SYMBOL NO. | INDEX NO. | SYMBOL NO. | INDEX NO. | SYMBOL NO. | INDEX NO. |
|------------|-----------|------------|-----------|------------|-----------|------------|-----------|------------|-----------|------------|-----------|------------|-----------|
| C131 | 189 | C141 | 201 | C151 | 179 | C161 | 195 | C171 | 195 | C181 | 195 | C191 | 198 |
| C132 | 192 | C142 | 201 | C152 | 189 | C162 | 195 | C172 | 195 | C182 | 207 | C192 | 198 |
| C133 | 198 | C143 | 189 | --- | --- | C163 | 208 | C173 | 207 | C183 | 189 | C193 | 189 |
| C134 | 182 | C144 | 193 | C154 | 192 | C164 | 189 | --- | --- | C184 | 189 | C194 | 205 |
| --- | --- | C145 | 189 | --- | --- | C165 | 212 | C175 | 189 | C185 | 195 | C195 | 193 |
| C136 | 192 | C146 | 189 | C156 | 207 | --- | --- | C176 | 195 | C186 | 192 | C196 | 189 |
| C137 | 201 | C147 | 193 | C157 | 189 | C167 | 212 | C177 | 195 | C187 | 192 | C197 | 187 |
| C138 | 218 | C148 | 179 | --- | --- | --- | --- | C178 | 187 | C188 | 189 | C198 | 195 |
| C139 | 201 | --- | --- | C159 | 195 | C169 | 195 | C179 | 195 | C189 | 195 | C199 | 193 |
| C140 | 201 | C150 | 189 | C160 | 195 | C170 | 205 | C180 | 195 | C190 | 195 | C200 | 188 |

CAPACITOR

| SYMBOL NO. | INDEX NO. | SYMBOL NO. | INDEX NO. | SYMBOL NO. | INDEX NO. | SYMBOL NO. | INDEX NO. | SYMBOL NO. | INDEX NO. | SYMBOL NO. | INDEX NO. | SYMBOL NO. | INDEX NO. |
|------------|-----------|------------|-----------|------------|-----------|------------|-----------|------------|-----------|------------|-----------|------------|-----------|
| C201 | 187 | C211 | 208 | C221 | 205 | C231 | 193 | C241 | 195 | C251 | 188 | C261 | 189 |
| C202 | 189 | C212 | 195 | C222 | 193 | C232 | 187 | C242 | 192 | C252 | 195 | C262 | 192 |
| C203 | 193 | C213 | 198 | C223 | 187 | C233 | 203 | C243 | 195 | C253 | 195 | C263 | 192 |
| C204 | 189 | C214 | 193 | C224 | 189 | C234 | 195 | C244 | 195 | C254 | 192 | C264 | 192 |
| C205 | 208 | C215 | 193 | C225 | 205 | C235 | 189 | C245 | 189 | C255 | 189 | C265 | 189 |
| C206 | 189 | C216 | 187 | C226 | 193 | C236 | 187 | --- | --- | C256 | 195 | C266 | 195 |
| C207 | 192 | C217 | 208 | C227 | 189 | C237 | 192 | C247 | 314 | C257 | 195 | --- | --- |
| C208 | 205 | C218 | 213 | C228 | 206 | C238 | 211 | C248 | 195 | C258 | 187 | C268 | 192 |
| C209 | 187 | C219 | 189 | C229 | 193 | C239 | 195 | C249 | 195 | C259 | 189 | C269 | 192 |
| C210 | 187 | C220 | 195 | C230 | 193 | C240 | 195 | C250 | 205 | C260 | 189 | C270 | 189 |

27.Controller Board (D017/D018/D019/D020/D084/D085)

CAPACITOR

| SYMBOL NO. | INDEX NO. | SYMBOL NO. | INDEX NO. | SYMBOL NO. | INDEX NO. | SYMBOL NO. | INDEX NO. | SYMBOL NO. | INDEX NO. | SYMBOL NO. | INDEX NO. | SYMBOL NO. | INDEX NO. |
|------------|-----------|------------|-----------|------------|-----------|------------|-----------|------------|-----------|------------|-----------|------------|-----------|
| C271 | 192 | C281 | 195 | C291 | 192 | C301 | 189 | C311 | 192 | C321 | 205 | C331 | 195 |
| C272 | 189 | C282 | 195 | C292 | 195 | C302 | 199 | C312 | 192 | C322 | 189 | C332 | 189 |
| C273 | 189 | C283 | 205 | C293 | 205 | C303 | 189 | C313 | 192 | C323 | 192 | C333 | 205 |
| C274 | 189 | --- | --- | C294 | 184 | C304 | 199 | C314 | 192 | C324 | 192 | C334 | 205 |
| C275 | 192 | C285 | 213 | C295 | 189 | C305 | 189 | C315 | 192 | C325 | 205 | C335 | 193 |
| C276 | 189 | C286 | 195 | C296 | 192 | C306 | 189 | C316 | 192 | C326 | 192 | C336 | 189 |
| C276 | 195 | C287 | 189 | C297 | 189 | C307 | 189 | C317 | 189 | C327 | 208 | C337 | 187 |
| C277 | 189 | C288 | 192 | C298 | 199 | C308 | 189 | C318 | 211 | C328 | 213 | C338 | 187 |
| C279 | 189 | C289 | 189 | C299 | 189 | C309 | 192 | C319 | 195 | C329 | 193 | C339 | 193 |
| C280 | 192 | C290 | 192 | C300 | 199 | C310 | 213 | C320 | 189 | C330 | 195 | C340 | 198 |

CAPACITOR

| SYMBOL NO. | INDEX NO. | SYMBOL NO. | INDEX NO. | SYMBOL NO. | INDEX NO. | SYMBOL NO. | INDEX NO. | SYMBOL NO. | INDEX NO. | SYMBOL NO. | INDEX NO. | SYMBOL NO. | INDEX NO. |
|------------|-----------|------------|-----------|------------|-----------|------------|-----------|------------|-----------|------------|-----------|------------|-----------|
| C341 | 189 | C351 | 203 | C361 | 195 | C371 | 195 | C381 | 189 | C391 | 192 | C401 | 212 |
| C342 | 195 | --- | --- | C362 | 189 | C372 | 195 | C382 | 192 | C392 | 212 | C402 | 212 |
| C343 | 189 | C353 | 189 | C363 | 192 | C373 | 195 | C383 | 192 | C393 | 189 | C403 | 212 |
| C344 | 189 | C354 | 189 | C364 | 192 | C374 | 189 | C384 | 192 | C394 | 192 | --- | --- |
| C345 | 192 | C355 | 192 | C365 | 195 | C375 | 192 | C385 | 189 | C395 | 192 | --- | --- |
| C346 | 205 | C356 | 189 | C366 | 195 | C376 | 192 | C386 | 192 | C396 | 187 | C406 | 195 |
| C347 | 192 | C357 | 188 | C367 | 213 | C377 | 192 | C387 | 189 | C397 | 187 | C407 | 189 |
| C348 | 213 | C358 | 208 | C368 | 213 | C378 | 189 | C388 | 192 | --- | --- | C408 | 192 |
| C349 | 195 | C359 | 192 | C369 | 205 | C379 | 213 | C389 | 189 | --- | --- | C409 | 192 |
| C350 | 189 | C360 | 195 | C370 | 189 | C380 | 189 | C390 | 189 | --- | --- | C410 | 212 |

27.Controller Board (D017/D018/D019/D020/D084/D085)

CAPACITOR

| SYMBOL NO. | INDEX NO. | SYMBOL NO. | INDEX NO. | SYMBOL NO. | INDEX NO. | SYMBOL NO. | INDEX NO. | SYMBOL NO. | INDEX NO. | SYMBOL NO. | INDEX NO. | SYMBOL NO. | INDEX NO. |
|------------|-----------|------------|-----------|------------|-----------|------------|-----------|------------|-----------|------------|-----------|------------|-----------|
| C411 | 198 | C421 | 189 | C431 | 205 | C441 | 195 | C451 | 195 | C461 | 189 | C471 | 192 |
| C412 | 212 | C422 | 187 | C432 | 212 | C442 | 189 | C452 | 195 | C462 | 195 | C472 | 192 |
| C413 | 198 | C423 | 213 | C433 | 212 | C443 | 187 | C453 | 195 | C463 | 189 | C473 | 195 |
| C414 | 212 | C424 | 212 | C434 | 212 | C444 | 195 | C454 | 192 | C464 | 192 | C474 | 195 |
| C415 | 214 | C425 | 192 | C435 | 212 | C445 | 189 | C455 | 188 | --- | --- | C475 | 192 |
| C416 | 205 | C426 | 198 | C436 | 212 | C446 | 195 | C456 | 189 | C466 | 195 | C476 | 189 |
| C417 | 198 | C427 | 189 | C437 | 195 | C447 | 195 | C457 | 189 | C467 | 189 | C477 | 192 |
| C418 | 195 | C428 | 198 | C438 | 195 | C448 | 205 | C458 | 195 | --- | --- | C478 | 189 |
| C419 | 195 | C429 | 212 | C439 | 195 | C449 | 195 | C459 | 189 | C469 | 205 | C479 | 191 |
| C420 | 195 | C430 | 212 | C440 | 189 | C450 | 204 | C460 | 195 | C470 | 213 | --- | --- |

CAPACITOR

| SYMBOL NO. | INDEX NO. | SYMBOL NO. | INDEX NO. | SYMBOL NO. | INDEX NO. | SYMBOL NO. | INDEX NO. | SYMBOL NO. | INDEX NO. | SYMBOL NO. | INDEX NO. | SYMBOL NO. | INDEX NO. |
|------------|-----------|------------|-----------|------------|-----------|------------|-----------|------------|-----------|------------|-----------|------------|-----------|
| C481 | 195 | C491 | 192 | C501 | 203 | C511 | 195 | C521 | 211 | C531 | 186 | C541 | 310 |
| C482 | 201 | C492 | 198 | C502 | 189 | C512 | 192 | C522 | 192 | C532 | 186 | C542 | 310 |
| --- | --- | C493 | 195 | C503 | 192 | C513 | 216 | C523 | 189 | C533 | 189 | C543 | 309 |
| C484 | 213 | C494 | 188 | C504 | 195 | C514 | 211 | C524 | 190 | C534 | 189 | C544 | 308 |
| C485 | 192 | C495 | 189 | C505 | 189 | C515 | 314 | C525 | 189 | C535 | 192 | C545 | 189 |
| C486 | 189 | C496 | 212 | C506 | 192 | C516 | 314 | C526 | 216 | C536 | 192 | C546 | 192 |
| C487 | 195 | C497 | 188 | C507 | 185 | C517 | 189 | C527 | 192 | C537 | 192 | C547 | 213 |
| C488 | 192 | C498 | 189 | C508 | 201 | C518 | 195 | C528 | 192 | C538 | 201 | C548 | 182 |
| C489 | 201 | C499 | 192 | C509 | 189 | C519 | 195 | C529 | 192 | C539 | 308 | C549 | 183 |
| C490 | 189 | C500 | 178 | C510 | 192 | C520 | 189 | C530 | 186 | C540 | 309 | C550 | 308 |

27.Controller Board (D017/D018/D019/D020/D084/D085)

CAPACITOR

| SYMBOL NO. | INDEX NO. | SYMBOL NO. | INDEX NO. | SYMBOL NO. | INDEX NO. | SYMBOL NO. | INDEX NO. | SYMBOL NO. | INDEX NO. | SYMBOL NO. | INDEX NO. | SYMBOL NO. | INDEX NO. |
|------------|-----------|------------|-----------|------------|-----------|------------|-----------|------------|-----------|------------|-----------|------------|-----------|
| C551 | 309 | C561 | 310 | C571 | 308 | --- | --- | C591 | 196 | C601 | 314 | C611 | 189 |
| C552 | 310 | --- | --- | C572 | 309 | --- | --- | C592 | 205 | --- | --- | C612 | 189 |
| C553 | 310 | C563 | 211 | C573 | 310 | C583 | 202 | C593 | 195 | C603 | 213 | C613 | 189 |
| C554 | 309 | C564 | 310 | C574 | 310 | C584 | 179 | C594 | 189 | C604 | 217 | C614 | 212 |
| C555 | 308 | C565 | 309 | C575 | 309 | C585 | 201 | C595 | 194 | C605 | 189 | C615 | 189 |
| C556 | 183 | C566 | 308 | C576 | 308 | C586 | 195 | C596 | 192 | C606 | 198 | C616 | 189 |
| C557 | 213 | C567 | 201 | C577 | 179 | C587 | 195 | C597 | 189 | C607 | 192 | C617 | 195 |
| C558 | 183 | C568 | 201 | C578 | 195 | C588 | 195 | C598 | 205 | C608 | 205 | C618 | 195 |
| C559 | 308 | C569 | 201 | --- | --- | C589 | 195 | C599 | 205 | C609 | 208 | C619 | 195 |
| C560 | 309 | C570 | 195 | --- | --- | C590 | 195 | C600 | 203 | C610 | 195 | C620 | 217 |

CAPACITOR

| SYMBOL NO. | INDEX NO. |
|------------|-----------|
| C621 | 192 |
| C622 | 203 |
| --- | --- |
| C624 | 192 |

CONNECTOR

| SYMBOL NO. | INDEX NO. |
|------------|-----------|
| CN701 | 101 |
| CN702 | 109 |
| CN703 | 105 |
| --- | --- |
| CN705 | 106 |
| CN706 | 106 |
| CN707 | 107 |
| CN708 | 104 |
| CN709 | 108 |
| CN710 | 103 |

| SYMBOL NO. | INDEX NO. |
|------------|-----------|
| CN711 | 102 |

DIODE

| SYMBOL NO. | INDEX NO. |
|------------|-----------|
| D1 | 124 |
| D2 | 124 |
| D3 | 124 |
| D4 | 123 |
| D5 | 122 |
| --- | --- |
| D7 | 122 |
| D8 | 125 |
| D9 | 122 |
| D10 | 122 |

| SYMBOL NO. | INDEX NO. |
|------------|-----------|
| D11 | 122 |

FIL

| SYMBOL NO. | INDEX NO. |
|------------|-----------|
| FIL1 | 220 |
| FIL2 | 220 |
| FIL3 | 221 |
| FIL4 | 226 |
| FIL5 | 226 |
| FIL6 | 225 |
| FIL7 | 219 |
| FIL8 | 221 |
| FIL9 | 221 |
| FIL10 | 221 |

| SYMBOL NO. | INDEX NO. |
|------------|-----------|
| FIL11 | 222 |
| FIL12 | 222 |
| FIL13 | 219 |
| FIL14 | 219 |
| FIL15 | 219 |
| FIL16 | 222 |
| FIL17 | 225 |

27.Controller Board (D017/D018/D019/D020/D084/D085)

FUSE

| SYMBOL NO. | INDEX NO. |
|------------|-----------|
| FU1 | 112 |
| FU2 | 110 |
| FU3 | 111 |

IC

| SYMBOL NO. | INDEX NO. |
|------------|-----------|
| IC1 | 148 |
| IC2 | 156 |
| IC3 | 313 |
| IC4 | 143 |
| IC5 | 161 |
| | |
| IC6 | 146 |
| IC7 | 145 |
| IC8 | 313 |
| IC9 | 154 |
| IC10 | 164 |

| SYMBOL NO. | INDEX NO. |
|------------|-----------|
| --- | --- |
| --- | --- |
| IC13 | 141 |
| IC14 | 133 |
| --- | --- |
| | |
| --- | --- |
| IC17 | 165 |
| IC18 | 149 |
| IC19 | 142 |
| IC20 | 153 |

| SYMBOL NO. | INDEX NO. |
|------------|-----------|
| IC21 | 144 |
| IC22 | 163 |
| IC23 | 152 |
| IC24 | 130 |
| IC25 | 147 |
| | |
| IC26 | 147 |
| IC27 | 136 |
| --- | --- |
| --- | --- |
| --- | --- |

| SYMBOL NO. | INDEX NO. |
|------------|-----------|
| IC31 | 317 |
| --- | --- |
| IC33 | 135 |
| IC34 | 135 |
| IC35 | 313 |
| | |
| --- | --- |
| IC37 | 150 |
| --- | --- |
| --- | --- |
| --- | --- |
| IC40 | 140 |

| SYMBOL NO. | INDEX NO. |
|------------|-----------|
| IC41 | 313 |
| IC42 | 134 |
| IC43 | 137 |
| IC44 | 135 |
| IC45 | 312 |
| | |
| IC46 | 155 |
| --- | --- |
| --- | --- |
| IC49 | 159 |
| IC50 | 151 |

| SYMBOL NO. | INDEX NO. |
|------------|-----------|
| IC51 | 154 |
| IC52 | 151 |
| --- | --- |
| IC54 | 135 |
| IC55 | 152 |
| | |
| IC56 | 152 |
| IC57 | 157 |
| --- | --- |
| IC59 | 151 |
| IC60 | 152 |

IC

| SYMBOL NO. | INDEX NO. |
|------------|-----------|
| IC61 | 139 |
| IC62 | 158 |
| IC63 | 132 |
| IC64 | 131 |
| IC65 | 157 |
| | |
| IC66 | 152 |
| IC67 | 138 |
| IC68 | 137 |
| IC69 | 162 |
| IC70 | 160 |

| SYMBOL NO. | INDEX NO. |
|------------|-----------|
| IC71 | 151 |
| IC72 | 157 |
| IC73 | 136 |
| IC74 | 157 |
| --- | --- |
| | |
| IC76 | 133 |
| --- | --- |
| --- | --- |
| --- | --- |
| --- | --- |

| SYMBOL NO. | INDEX NO. |
|------------|-----------|
| --- | --- |
| --- | --- |
| --- | --- |
| --- | --- |
| IC135 | 311 |

L

| SYMBOL NO. | INDEX NO. |
|------------|-----------|
| L1 | 227 |
| L2 | 227 |
| L3 | 224 |
| L4 | 228 |
| L5 | 228 |
| | |
| L6 | 229 |
| L7 | 223 |

LED

| SYMBOL NO. | INDEX NO. |
|------------|-----------|
| LED1 | 128 |
| LED2 | 127 |
| LED3 | 126 |
| LED58 | 129 |

OSC

| SYMBOL NO. | INDEX NO. |
|------------|-----------|
| OSC1 | 167 |
| OSC2 | 166 |
| OSC3 | 169 |
| OSC4 | 168 |
| OSC5 | 170 |

Q

| SYMBOL NO. | INDEX NO. |
|------------|-----------|
| Q1 | 118 |
| Q2 | 118 |
| Q3 | 121 |
| Q4 | 120 |
| Q5 | 121 |
| | |
| Q6 | 120 |
| --- | --- |
| Q8 | 116 |
| Q9 | 117 |
| Q10 | 121 |

27.Controller Board (D017/D018/D019/D020/D084/D085)

Q

RESISTOR

| SYMBOL NO. | INDEX NO. | SYMBOL NO. | INDEX NO. | SYMBOL NO. | INDEX NO. | SYMBOL NO. | INDEX NO. | SYMBOL NO. | INDEX NO. | SYMBOL NO. | INDEX NO. | SYMBOL NO. | INDEX NO. |
|------------|-----------|------------|-----------|------------|-----------|------------|-----------|------------|-----------|------------|-----------|------------|-----------|
| Q11 | 115 | R1 | 242 | R11 | 274 | R21 | 288 | R31 | 277 | R41 | 294 | R51 | 278 |
| Q12 | 115 | R2 | 242 | R12 | 242 | R22 | 300 | R32 | 261 | R42 | 294 | R52 | 270 |
| --- | --- | R3 | 289 | R13 | 299 | R23 | 277 | R33 | 267 | R43 | 261 | R53 | 249 |
| Q14 | 119 | R4 | 242 | --- | --- | R24 | 300 | R34 | 273 | R44 | 249 | R54 | 261 |
| Q15 | 119 | R5 | 242 | R15 | 277 | R25 | 298 | R35 | 289 | R45 | 249 | R55 | 303 |
| | | R6 | 242 | R16 | 272 | R26 | 277 | R36 | 278 | R46 | 278 | R56 | 298 |
| | | R7 | 289 | R17 | 242 | R27 | 290 | R37 | 278 | R47 | 293 | R57 | 270 |
| | | R8 | 274 | R18 | 259 | R28 | 298 | R38 | 284 | R48 | 278 | R58 | 249 |
| | | R9 | 293 | R19 | 288 | R29 | 300 | --- | --- | R49 | 259 | R59 | 290 |
| | | R10 | 269 | R20 | 300 | R30 | 259 | --- | --- | R50 | 293 | R60 | 278 |

RESISTOR

| SYMBOL NO. | INDEX NO. | SYMBOL NO. | INDEX NO. | SYMBOL NO. | INDEX NO. | SYMBOL NO. | INDEX NO. | SYMBOL NO. | INDEX NO. | SYMBOL NO. | INDEX NO. | SYMBOL NO. | INDEX NO. |
|------------|-----------|------------|-----------|------------|-----------|------------|-----------|------------|-----------|------------|-----------|------------|-----------|
| R61 | 270 | R71 | 270 | R81 | 261 | R91 | 279 | R101 | 256 | R111 | 290 | R121 | 298 |
| R62 | 249 | R72 | 277 | R82 | 261 | --- | --- | R102 | 285 | R112 | 274 | --- | --- |
| R62 | 278 | R73 | 298 | R83 | 259 | R93 | 290 | R103 | 290 | R113 | 277 | R123 | 279 |
| R64 | 259 | R74 | 274 | R84 | 298 | R94 | 278 | R104 | 259 | --- | --- | R124 | 278 |
| R65 | 270 | --- | --- | R85 | 278 | R95 | 305 | --- | --- | --- | --- | R125 | 247 |
| R66 | 243 | R76 | 298 | R86 | 290 | R96 | 292 | R106 | 305 | R116 | 298 | R126 | 259 |
| R67 | 270 | R77 | 289 | R87 | 278 | R97 | 278 | --- | --- | R117 | 298 | R127 | 253 |
| R68 | 259 | R78 | 289 | R88 | 290 | R98 | 291 | R108 | 261 | R118 | 279 | R128 | 298 |
| R69 | 290 | R79 | 278 | R89 | 278 | R99 | 290 | R109 | 298 | R119 | 248 | R129 | 290 |
| R70 | 243 | R80 | 305 | R90 | 290 | R100 | 278 | R110 | 290 | R120 | 286 | R130 | 278 |

27.Controller Board (D017/D018/D019/D020/D084/D085)

RESISTOR

| SYMBOL NO. | INDEX NO. | SYMBOL NO. | INDEX NO. | SYMBOL NO. | INDEX NO. | SYMBOL NO. | INDEX NO. | SYMBOL NO. | INDEX NO. | SYMBOL NO. | INDEX NO. | SYMBOL NO. | INDEX NO. |
|------------|-----------|------------|-----------|------------|-----------|------------|-----------|------------|-----------|------------|-----------|------------|-----------|
| R131 | 248 | R141 | 248 | R151 | 278 | R161 | 259 | R171 | 290 | R181 | 259 | R191 | 242 |
| R132 | 277 | R142 | 249 | --- | --- | --- | --- | R172 | 290 | R182 | 249 | --- | --- |
| R133 | 277 | --- | --- | R153 | 278 | R163 | 290 | R173 | 290 | R183 | 249 | --- | --- |
| R134 | 277 | R144 | 274 | R154 | 277 | R164 | 297 | R174 | 290 | R184 | 290 | R194 | 249 |
| R135 | 306 | R145 | 248 | R155 | 277 | R165 | 259 | --- | --- | R185 | 259 | --- | --- |
| R136 | 306 | --- | --- | R156 | 277 | R166 | 258 | R176 | 252 | R186 | 248 | --- | --- |
| R137 | 290 | R147 | 249 | R157 | 255 | R167 | 259 | R177 | 296 | --- | --- | R197 | 280 |
| R138 | 255 | R148 | 295 | R158 | 255 | R168 | 259 | R178 | 248 | --- | --- | R198 | 249 |
| --- | --- | R149 | 261 | R159 | 304 | R169 | 274 | R179 | 249 | R189 | 248 | --- | --- |
| R140 | 255 | R150 | 290 | R160 | 248 | R170 | 290 | R180 | 290 | R190 | 296 | --- | --- |

RESISTOR

| SYMBOL NO. | INDEX NO. | SYMBOL NO. | INDEX NO. | SYMBOL NO. | INDEX NO. | SYMBOL NO. | INDEX NO. | SYMBOL NO. | INDEX NO. | SYMBOL NO. | INDEX NO. | SYMBOL NO. | INDEX NO. |
|------------|-----------|------------|-----------|------------|-----------|------------|-----------|------------|-----------|------------|-----------|------------|-----------|
| R201 | 248 | R211 | 249 | --- | --- | R231 | 315 | R241 | 259 | R251 | 249 | R261 | 259 |
| --- | --- | R212 | 250 | R222 | 315 | R232 | 248 | R242 | 242 | R252 | 249 | R262 | 268 |
| R203 | 258 | R213 | 238 | R223 | 249 | R233 | 248 | R243 | 316 | R253 | 250 | R263 | 275 |
| R204 | 259 | R214 | 238 | --- | --- | R234 | 301 | R244 | 315 | R254 | 248 | --- | --- |
| --- | --- | --- | --- | --- | --- | R235 | 243 | R245 | 315 | R255 | 259 | R265 | 259 |
| --- | --- | R216 | 250 | R226 | 248 | R236 | 315 | R246 | 243 | R256 | 318 | R266 | 249 |
| R207 | 248 | --- | --- | R227 | 302 | R237 | 315 | R247 | 315 | R257 | 249 | R267 | 259 |
| R208 | 285 | R218 | 250 | R228 | 315 | R238 | 249 | R248 | 259 | R258 | 259 | R268 | 249 |
| R209 | 249 | --- | --- | --- | --- | R239 | 259 | --- | --- | R259 | 274 | --- | --- |
| R210 | 247 | --- | --- | R230 | 315 | R240 | 259 | --- | --- | R260 | 274 | R270 | 249 |

27.Controller Board (D017/D018/D019/D020/D084/D085)

RESISTOR

| SYMBOL NO. | INDEX NO. | SYMBOL NO. | INDEX NO. | SYMBOL NO. | INDEX NO. | SYMBOL NO. | INDEX NO. | SYMBOL NO. | INDEX NO. | SYMBOL NO. | INDEX NO. | SYMBOL NO. | INDEX NO. |
|------------|-----------|------------|-----------|------------|-----------|------------|-----------|------------|-----------|------------|-----------|------------|-----------|
| R271 | 249 | --- | --- | R291 | 252 | R301 | 249 | R311 | 259 | R321 | 242 | R331 | 242 |
| R272 | 275 | R282 | 243 | R292 | 242 | R302 | 259 | R312 | 242 | R322 | 247 | --- | --- |
| R273 | 274 | R283 | 268 | R293 | 247 | R303 | 259 | --- | --- | R323 | 259 | R333 | 289 |
| R274 | 259 | R284 | 249 | R294 | 252 | R304 | 259 | R314 | 249 | R324 | 259 | --- | --- |
| R275 | 249 | R285 | 248 | R295 | 249 | R305 | 259 | --- | --- | R325 | 249 | R335 | 284 |
| R276 | 268 | --- | --- | --- | --- | R306 | 259 | --- | --- | --- | --- | --- | --- |
| R277 | 249 | R287 | 274 | R297 | 249 | R307 | 249 | R317 | 249 | R327 | 249 | R337 | 242 |
| --- | --- | R288 | 274 | R298 | 249 | R308 | 249 | R318 | 263 | R328 | 249 | --- | --- |
| R279 | 259 | R289 | 248 | --- | --- | R309 | 259 | R319 | 242 | R329 | 249 | R339 | 289 |
| --- | --- | R290 | 242 | --- | --- | R310 | 259 | R320 | 242 | --- | --- | --- | --- |

RESISTOR

| SYMBOL NO. | INDEX NO. | SYMBOL NO. | INDEX NO. | SYMBOL NO. | INDEX NO. | SYMBOL NO. | INDEX NO. | SYMBOL NO. | INDEX NO. | SYMBOL NO. | INDEX NO. | SYMBOL NO. | INDEX NO. |
|------------|-----------|------------|-----------|------------|-----------|------------|-----------|------------|-----------|------------|-----------|------------|-----------|
| --- | --- | --- | --- | R361 | 249 | R371 | 257 | R381 | 259 | R391 | 296 | R401 | 298 |
| R342 | 247 | --- | --- | --- | --- | R372 | 289 | R382 | 279 | R392 | 243 | R402 | 243 |
| --- | --- | --- | --- | R363 | 261 | R373 | 259 | R383 | 279 | R393 | 278 | R403 | 298 |
| --- | --- | --- | --- | R364 | 242 | R374 | 259 | --- | --- | R394 | 283 | R404 | 278 |
| --- | --- | --- | --- | R365 | 242 | R375 | 290 | R385 | 296 | R395 | 305 | R405 | 278 |
| R346 | 277 | --- | --- | --- | --- | R376 | 281 | R386 | 279 | R396 | 305 | R406 | 251 |
| --- | --- | R357 | 261 | --- | --- | R377 | 289 | R387 | 279 | R397 | 243 | --- | --- |
| R348 | 298 | R358 | 261 | R368 | 247 | R378 | 289 | R388 | 278 | R398 | 278 | R408 | 243 |
| --- | --- | R359 | 290 | R369 | 249 | R379 | 289 | R389 | 305 | R399 | 278 | R409 | 278 |
| --- | --- | --- | --- | --- | --- | R380 | 289 | R390 | 296 | --- | --- | R410 | 278 |

27.Controller Board (D017/D018/D019/D020/D084/D085)

RESISTOR

| SYMBOL NO. | INDEX NO. | SYMBOL NO. | INDEX NO. | SYMBOL NO. | INDEX NO. | SYMBOL NO. | INDEX NO. | SYMBOL NO. | INDEX NO. | SYMBOL NO. | INDEX NO. | SYMBOL NO. | INDEX NO. |
|------------|-----------|------------|-----------|------------|-----------|------------|-----------|------------|-----------|------------|-----------|------------|-----------|
| R411 | 251 | R421 | 290 | --- | --- | R441 | 278 | R451 | 248 | R461 | 278 | --- | --- |
| R412 | 240 | --- | --- | R432 | 290 | R442 | 274 | R452 | 259 | R462 | 290 | --- | --- |
| R413 | 239 | R423 | 296 | R433 | 278 | --- | --- | R453 | 305 | R463 | 249 | --- | --- |
| R414 | 278 | R424 | 305 | R434 | 290 | R444 | 278 | --- | --- | R464 | 249 | --- | --- |
| R415 | 247 | --- | --- | R435 | 278 | R445 | 278 | --- | --- | --- | --- | --- | --- |
| --- | --- | R426 | 290 | R436 | 260 | R446 | 290 | --- | --- | --- | --- | --- | --- |
| R417 | 278 | R427 | 305 | R437 | 278 | R447 | 277 | R457 | 248 | --- | --- | R477 | 278 |
| R418 | 296 | R428 | 260 | R438 | 282 | R448 | 240 | R458 | 241 | R468 | 278 | R478 | 259 |
| R419 | 305 | R429 | 274 | R439 | 259 | --- | --- | --- | --- | R469 | 259 | R479 | 259 |
| R420 | 278 | R430 | 274 | R440 | 278 | R450 | 278 | R460 | 278 | R470 | 249 | R480 | 248 |

RESISTOR

| SYMBOL NO. | INDEX NO. | SYMBOL NO. | INDEX NO. | SYMBOL NO. | INDEX NO. | SYMBOL NO. | INDEX NO. | SYMBOL NO. | INDEX NO. | SYMBOL NO. | INDEX NO. | SYMBOL NO. | INDEX NO. |
|------------|-----------|------------|-----------|------------|-----------|------------|-----------|------------|-----------|------------|-----------|------------|-----------|
| R481 | 249 | R491 | 287 | R501 | 296 | --- | --- | R521 | 255 | R531 | 279 | R541 | 290 |
| R482 | 248 | R492 | 274 | R502 | 296 | --- | --- | --- | --- | R532 | 248 | R542 | 290 |
| R483 | 249 | R493 | 274 | --- | --- | R513 | 248 | R523 | 248 | R533 | 277 | R543 | 255 |
| R484 | 277 | --- | --- | R504 | 249 | R514 | 242 | R524 | 249 | R534 | 277 | R544 | 255 |
| --- | --- | R495 | 278 | --- | --- | --- | --- | --- | --- | R535 | 279 | R545 | 248 |
| --- | --- | R496 | 296 | R506 | 249 | --- | --- | R526 | 247 | R536 | 259 | R546 | 290 |
| R487 | 259 | R497 | 259 | --- | --- | R517 | 249 | R527 | 255 | R537 | 290 | R547 | 290 |
| R488 | 278 | R498 | 274 | R508 | 242 | R518 | 296 | R528 | 249 | R538 | 277 | R548 | 255 |
| R489 | 249 | R499 | 278 | R509 | 278 | R519 | 255 | R529 | 248 | R539 | 259 | R549 | 247 |
| R490 | 259 | R500 | 279 | R510 | 279 | --- | --- | --- | --- | R540 | 290 | R550 | 259 |

27.Controller Board (D017/D018/D019/D020/D084/D085)

RESISTOR

| SYMBOL NO. | INDEX NO. | SYMBOL NO. | INDEX NO. | SYMBOL NO. | INDEX NO. | SYMBOL NO. | INDEX NO. | SYMBOL NO. | INDEX NO. | SYMBOL NO. | INDEX NO. | SYMBOL NO. | INDEX NO. |
|------------|-----------|------------|-----------|------------|-----------|------------|-----------|------------|-----------|------------|-----------|------------|-----------|
| R551 | 259 | --- | --- | R571 | 247 | R581 | 265 | R591 | 261 | R601 | 259 | --- | --- |
| R552 | 259 | R562 | 290 | R572 | 260 | R582 | 265 | R592 | 261 | R602 | 289 | R612 | 259 |
| R553 | 290 | R563 | 259 | R573 | 261 | R583 | 265 | R593 | 249 | R603 | 289 | R613 | 262 |
| R554 | 259 | --- | --- | --- | --- | --- | --- | R594 | 261 | R604 | 289 | R614 | 262 |
| R555 | 254 | R565 | 290 | --- | --- | R585 | 260 | R595 | 244 | --- | --- | --- | --- |
| R556 | 249 | R566 | 252 | R576 | 248 | R586 | 260 | R596 | 246 | R606 | 249 | R616 | 259 |
| --- | --- | R567 | 252 | R577 | 248 | R587 | 289 | R597 | 246 | --- | --- | --- | --- |
| R558 | 255 | --- | --- | R578 | 265 | R588 | 262 | --- | --- | --- | --- | R618 | 262 |
| R559 | 254 | R569 | 249 | R579 | 265 | R589 | 274 | R599 | 245 | R609 | 307 | R619 | 289 |
| R560 | 254 | R570 | 290 | R580 | 265 | --- | --- | R600 | 258 | --- | --- | R620 | 262 |

RESISTOR

| SYMBOL NO. | INDEX NO. | SYMBOL NO. | INDEX NO. | SYMBOL NO. | INDEX NO. | SYMBOL NO. | INDEX NO. | SYMBOL NO. | INDEX NO. | SYMBOL NO. | INDEX NO. | SYMBOL NO. | INDEX NO. |
|------------|-----------|------------|-----------|------------|-----------|------------|-----------|------------|-----------|------------|-----------|------------|-----------|
| R621 | 289 | R631 | 249 | R641 | 259 | R651 | 274 | R661 | 259 | R671 | 259 | R681 | 242 |
| R622 | 248 | --- | --- | R642 | 261 | R652 | 261 | R662 | 293 | R672 | 259 | --- | --- |
| R623 | 248 | R633 | 259 | R643 | 279 | --- | --- | --- | --- | --- | --- | R683 | 243 |
| R624 | 248 | R634 | 260 | R644 | 264 | --- | --- | R664 | 261 | --- | --- | R684 | 243 |
| R625 | 249 | --- | --- | R645 | 262 | --- | --- | R665 | 274 | R675 | 290 | --- | --- |
| --- | --- | R636 | 259 | R646 | 293 | R656 | 249 | --- | --- | R676 | 290 | --- | --- |
| --- | --- | R637 | 259 | R647 | 289 | R657 | 276 | R667 | 278 | R677 | 277 | R687 | 259 |
| R628 | 278 | R638 | 259 | --- | --- | --- | --- | R668 | 259 | R678 | 249 | R688 | 259 |
| R629 | 249 | --- | --- | R649 | 274 | --- | --- | R669 | 259 | R679 | 290 | R689 | 243 |
| R630 | 249 | R640 | 259 | R650 | 274 | R660 | 259 | R670 | 259 | --- | --- | R690 | 243 |

27.Controller Board (D017/D018/D019/D020/D084/D085)

RESISTOR

| SYMBOL NO. | INDEX NO. | SYMBOL NO. | INDEX NO. | SYMBOL NO. | INDEX NO. | SYMBOL NO. | INDEX NO. | SYMBOL NO. | INDEX NO. | SYMBOL NO. | INDEX NO. | SYMBOL NO. | INDEX NO. |
|------------|-----------|------------|-----------|------------|-----------|------------|-----------|------------|-----------|------------|-----------|------------|-----------|
| R691 | 243 | --- | --- | R711 | 255 | R721 | 255 | --- | --- | --- | --- | R771 | 293 |
| R692 | 266 | --- | --- | --- | --- | R722 | 255 | --- | --- | --- | --- | --- | --- |
| R693 | 242 | --- | --- | --- | --- | --- | --- | --- | --- | --- | --- | --- | --- |
| R694 | 243 | R704 | 271 | R714 | 242 | --- | --- | R734 | 274 | --- | --- | --- | --- |
| R695 | 242 | R705 | 274 | --- | --- | R725 | 255 | --- | --- | R765 | 259 | --- | --- |
| --- | --- | --- | --- | --- | --- | R726 | 274 | --- | --- | R766 | 259 | --- | --- |
| R697 | 243 | --- | --- | R717 | 242 | --- | --- | --- | --- | --- | --- | --- | --- |
| R698 | 243 | R708 | 277 | --- | --- | --- | --- | --- | --- | --- | --- | --- | --- |
| R699 | 255 | R709 | 274 | --- | --- | --- | --- | R739 | 242 | --- | --- | --- | --- |
| R700 | 242 | R710 | 249 | R720 | 255 | --- | --- | --- | --- | R770 | 293 | --- | --- |

RN

| SYMBOL NO. | INDEX NO. | SYMBOL NO. | INDEX NO. | SYMBOL NO. | INDEX NO. | SYMBOL NO. | INDEX NO. | SYMBOL NO. | INDEX NO. | SYMBOL NO. | INDEX NO. | SYMBOL NO. | INDEX NO. |
|------------|-----------|------------|-----------|------------|-----------|------------|-----------|------------|-----------|------------|-----------|------------|-----------|
| RN1 | 173 | RN11 | 234 | RN21 | 173 | RN31 | 230 | RN41 | 233 | RN51 | 174 | --- | --- |
| RN2 | 232 | RN12 | 232 | RN22 | 231 | RN32 | 230 | RN42 | 232 | RN52 | 231 | RN62 | 171 |
| RN3 | 171 | RN13 | 234 | RN23 | 176 | RN33 | 230 | RN43 | 231 | RN53 | 237 | --- | --- |
| RN4 | 175 | RN14 | 236 | RN24 | 235 | RN34 | 233 | RN44 | 175 | RN54 | 237 | RN64 | 237 |
| RN5 | 230 | RN15 | 174 | RN25 | 173 | RN35 | 231 | RN45 | 171 | RN55 | 230 | RN65 | 236 |
| RN6 | 171 | RN16 | 172 | RN26 | 233 | RN36 | 171 | RN46 | 171 | RN56 | 234 | RN66 | 230 |
| RN7 | 173 | RN17 | 236 | RN27 | 231 | RN37 | 233 | RN47 | 171 | --- | --- | RN67 | 237 |
| RN8 | 235 | RN18 | 232 | RN28 | 173 | RN38 | 233 | RN48 | 231 | RN58 | 171 | RN68 | 177 |
| RN9 | 235 | RN19 | 235 | RN29 | 233 | RN39 | 171 | --- | --- | --- | --- | RN69 | 231 |
| RN10 | 234 | RN20 | 231 | RN30 | 230 | RN40 | 231 | RN50 | 233 | RN60 | 234 | RN70 | 230 |

27.Controller Board (D017/D018/D019/D020/D084/D085)

RN

| SYMBOL NO. | INDEX NO. |
|------------|-----------|
| RN71 | 236 |
| RN72 | 233 |
| RN73 | 230 |
| RN74 | 177 |
| RN75 | 173 |
| RN76 | 236 |
| --- | --- |
| RN78 | 236 |
| RN79 | 231 |
| RN80 | 230 |

| SYMBOL NO. | INDEX NO. |
|------------|-----------|
| RN81 | 176 |

SW

| SYMBOL NO. | INDEX NO. |
|------------|-----------|
| --- | --- |
| SW2 | 113 |

27. Controller Board (D017/D018/D019/D020/D084/D085)

| Index No. | Part No. | Description | Q'ty Per Assembly |
|-----------|-----------|---------------------------------|-------------------|
| * | D019 5310 | Controller Board - 33 MS (D019) | 1 |
| * | D020 5310 | Controller Board - 33 CS (D020) | 1 |
| * | D019 5311 | Controller Board - 25 MS (D017) | 1 |
| * | D020 5311 | Controller Board - 25 CS (D018) | 1 |
| * | D085 5310 | PCB: Controller: 33 (D085) | 1 |
| * | D085 5311 | PCB: Controller: 28 (D084) | 1 |

| Index No. | Part No. | Description | Q'ty Per Assembly |
|-----------|-----------|-----------------------------------|-------------------|
| 101 | 1102 6790 | Connector - 100R-LT-N1 | |
| 102 | 1102 7615 | Connector - B8B-XH-A | |
| 103 | 1102 8212 | Connector: TX24-50R-10ST-H1E | |
| 104 | 1102 8329 | Connector - USB - UBB-4R-D14C | |
| 105 | 1103 4234 | RHM-176P-SDK11-UH1L1C(LF)(SN) | |
| 106 | 1102 9336 | Connector: FPS009-2300-0 | |
| 107 | 1102 9890 | Connector: 5-1605706-2 | |
| 108 | 1102 9956 | Connector: UBA-4R-D14T-4D(LF)(SN) | |
| 109 | 1103 4043 | Connector: 87825-1001 | |
| 110 | 1107 1083 | Fuse: SST 4 | |
| 111 | 1107 1099 | Fuse SST 5 | |
| 112 | 1109 0009 | IC - MINISMDC075-02 | |
| 113 | 1204 2791 | DIP Switch: DM-04-V | |
| 114 | 1206 0124 | Lithium Cell: CR2032VO4H/Z | |
| 115 | 1401 1318 | FET - HAT2198R | |
| 116 | 1401 1414 | FET: SI3433BDV-E3 | |
| 117 | 1401 1415 | FET: SI3434DV-E3 | |
| 118 | 1401 1448 | FET: SI3447BDV-E3 | |
| 119 | 1401 1457 | FET: TPCP8102 | |
| 120 | 1401 1466 | FET: SI4800BDY-E3 | |
| 121 | 1401 1475 | FET: SI3867DV-E3 | |
| 122 | 1402 1336 | Diode - 1SS355 | |
| 123 | 1402 1365 | Diode-RB751V-40 | |
| 124 | 1402 1929 | Diode: RB160M-30 | |
| 125 | 1402 2039 | Diode: RSX301LA-30 | |
| 126 | 1403 0953 | LED - SML-310MT | |
| 127 | 1403 0978 | LED - SML-310DT | |
| 128 | 1403 1131 | LED: SML-311UT | |
| 129 | 1407 4919 | IC - 74VHCT244 TSSOP | |
| 130 | 1407 5009 | CMOS Logic: TC7SET04FU | |
| 131 | 1407 5010 | IC - TC7SET08FU | |
| 132 | 1407 5190 | CMOS Logic: TC7SZ08FU | |
| 133 | 1407 5192 | CMOS Logic: TC7SZ04FU | |
| 134 | 1407 5300 | CMOS Logic - 74LVC16244A TSSOP | |
| 135 | 1407 5351 | IC - SN74LV14APW | |

| Index No. | Part No. | Description | Q'ty Per Assembly |
|-----------|-----------|-------------------------------------|-------------------|
| 136 | 1407 5482 | IC - SN74LVC07APW | |
| 137 | 1407 5520 | CMOS Logic: SN74LVC125APW | |
| 138 | 1407 5523 | ROM - I2C SOP 3V | |
| 139 | 1407 5528 | IC - SN74LVC126APW | |
| 140 | 1407 5604 | CMOS Logic: SN74LVC16245ADGG | |
| 141 | 1407 6145 | IC: SN74LVC373APW | |
| 142 | 1407 6265 | Real Time Clock: R2025S | |
| 143 | 1407 6386 | CPU: RM7035C-533L-REV1.1 | |
| 144 | 1407 6400 | Clock Generator - ICS960013BFLF | |
| 145 | 1407 6671 | USB Controller: UPD720102GC-YEB-A | |
| 146 | 1407 6723 | Custom IC: Cornet | |
| 147 | 1104 0821 | IC Socket: 16008-B0A0020N | |
| 148 | 1407 6741 | LAN Controller LSI: DP83848JSQ/NOPB | |
| 149 | 1407 6751 | CMOS Logic: HD74LV1GW07ACM | |
| 150 | 1407 6801 | CMOS Logic: TC7PA17FU | |
| 151 | 1407 6803 | CMOS Logic: TC7SZ07FU | |
| 152 | 1407 6853 | CMOS Logic: HD74LV1GW17ACM | |
| 153 | 1407 6863 | Controller: ST19WP18FT28PVG1 | |
| 154 | 1407 6898 | CMOS Logic: TC7WH126FK | |
| 155 | 1407 6899 | CMOS Logic: TC7WH125FK | |
| 156 | 1407 6944 | USB Controller IC: ST72681/R21 | |
| 157 | 1407 6951 | CMOS Logic: TC7MBL3245SFK | |
| 158 | 1408 1826 | IC - R3112Q421A | |
| 159 | 1408 2053 | IC: R3112Q291A-FA | |
| 160 | 1408 2062 | IC: R3112Q221A-FA | |
| 161 | 1408 2087 | IC: LTC3736EUF#TRPBF | |
| 162 | 1408 2180 | IC - BD3531F | |
| 163 | 1408 2449 | DC/DC Converter: BD9104FVM | |
| 164 | 1408 2463 | DDR Terminator - TPS51116PWP4 | |
| 165 | 1408 2484 | IC: LTC3808EDE#PBF | |
| 166 | 1503 1138 | Crystal Oscillator - 48MHz | |
| 167 | 1503 1355 | Crystal Oscillator: 25MHz | |
| 168 | 1503 1362 | Crystal Oscillator: 30MHz | |
| 169 | 1503 1363 | Crystal Oscillator: 12MHz | |
| 170 | 1503 1379 | Crystal Oscillator: 14.31818MHz | |

| Index No. | Part No. | Description | Q'ty Per Assembly |
|-----------|-----------|---|-------------------|
| 171 | 1601 7887 | Resistor Array - 10K Ω \pm 5% 1/32W | |
| 172 | 1601 7896 | Resistor Array - 56 Ω \pm 5% 1/32W | |
| 173 | 1601 7898 | Resistor Array | |
| 174 | 1601 7913 | Resistor 22 Ω \pm 5% 1/32W | |
| 175 | 1601 7914 | Resistor Array - 47 Ω \pm 5% | |
| 176 | 1601 7959 | Resistor | |
| 177 | 1601 7981 | Resistor Array - 100K Ω \pm 5% 1/16W | |
| 178 | 1604 5724 | Capacitor: 100 μ F: \pm 20%: 2V | |
| 179 | 1605 1124 | Capacitor - 4.7 μ F+80 -20% 10V | |
| 180 | 1605 1197 | Capacitor - 6pF \pm 0.5pF 50V | |
| 181 | 1605 1199 | Capacitor - 8pF \pm 0.5pF 50V | |
| 182 | 1605 1200 | Capacitor - 10pF \pm 0.5pF 50V | |
| 183 | 1605 1204 | Capacitor-pF50V | |
| 184 | 1605 1206 | Capacitor - 47pF \pm 5% 50V | |
| 185 | 1605 1207 | Capacitor - 68pF \pm 5% 50V | |
| 186 | 1605 1208 | Capacitor: 100pF: \pm 5%: 50V | |
| 187 | 1605 1211 | Capacitor - 220pF \pm 10% 50V | |
| 188 | 1605 1212 | Capacitor - 470pF \pm 10% 50V | |
| 189 | 1605 1214 | Capacitor - 1000pF \pm 10% 50V | |
| 190 | 1605 1216 | Capacitor - 2200pF \pm 10%50V | |
| 191 | 1605 1218 | Capacitor: 4700pF: \pm 10%: 25V | |
| 192 | 1605 1221 | Capacitor - 0.1 μ F+80-20%16V | |
| 193 | 1605 1240 | Capacitor - 0.01 μ F \pm 10% 25V | |
| 194 | 1605 1284 | Capacitor: 1500pF: \pm 10%: 50V | |
| 195 | 1605 1289 | Capacitor - 0.1 μ F \pm 10% 10V | |
| 196 | 1605 1291 | Capacitor: 2.2 μ F: \pm 10%: 10V | |
| 197 | 1605 1293 | Capacitor - 27pF \pm 5%50V | |
| 198 | 1605 1295 | Capacitor: 10 μ F: +80-20%: 10V | |
| 199 | 1605 1296 | Capacitor - 330pF \pm 10% 50V | |
| 200 | 1605 1301 | Capacitor-6800pF \pm 10% 50V | |
| 201 | 1605 1306 | Capacitor - 1 μ F \pm 10% 10V | |
| 202 | 1605 1307 | Capacitor - 2.2 μ F+80-20% 11V | |
| 203 | 1605 1358 | Capacitor - 10 μ F \pm 10% 10V | |
| 204 | 1605 1376 | Capacitor - 0.033 μ F- \pm 10%: 25V | |
| 205 | 1605 1406 | Capacitor - 10 μ F \pm 10% 6.3V | |

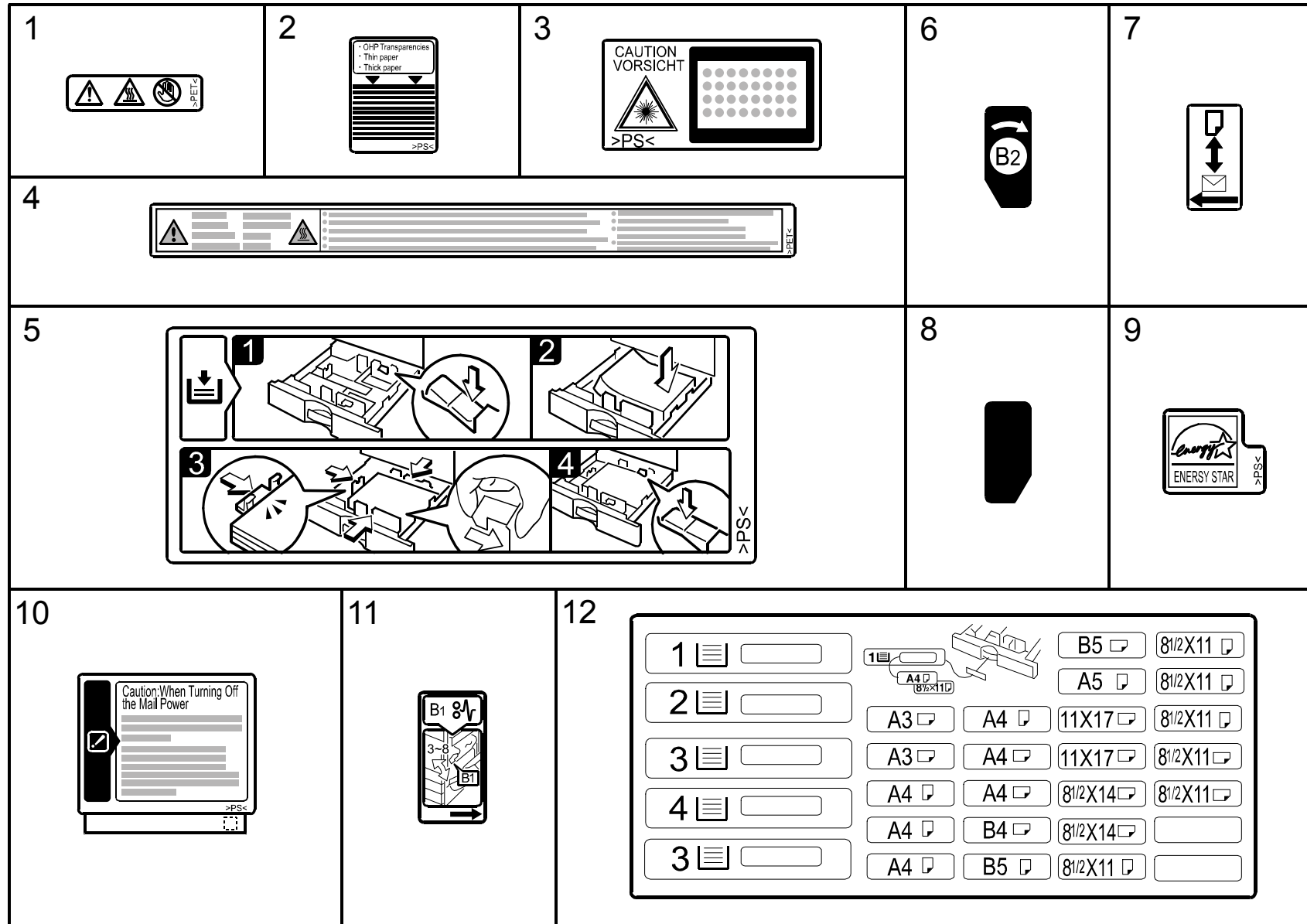
| Index No. | Part No. | Description | Q'ty Per Assembly |
|-----------|-----------|--|-------------------|
| 206 | 1605 1451 | Capacitor: 0.47 μ F: \pm 10%: 6.3V | |
| 207 | 1605 1452 | Capacitor - 1 μ F \pm 10% 6.3V | |
| 208 | 1605 1474 | Capacitor - 47 μ F \pm 20% 6.3V | |
| 209 | 1605 1475 | Resistor - 1 μ F \pm 10% 16V | |
| 210 | 1605 1544 | Resistor - 330pF \pm 5% 50V | |
| 211 | 1605 1563 | Capacitor: 10 μ F: \pm 10%: 10V | |
| 212 | 1605 1583 | Capacitor - 0.1 μ F: \pm 10%: 16V | |
| 213 | 1605 1587 | Capacitor: 22 μ F: \pm 20%: 6.3V | |
| 214 | 1605 1602 | Capacitor: 3.3 μ F: \pm 10%: 6.3V | |
| 215 | 1605 1605 | Capacitor - 4.7 μ F \pm 10% 10V | |
| 216 | 1605 1607 | Capacitor: 22 μ F: +80-20%: 6.3V | |
| 217 | 1605 1689 | Capacitor: 100 μ F: \pm 20%: 6.3V | |
| 218 | 1606 2319 | Capacitor: 100 μ F: \pm 20%: 6.3V | |
| 219 | 1607 1014 | EMI Filter - BLM11P600SPB | |
| 220 | 1607 1051 | Filter - FBMJ2125HS420 | |
| 221 | 1607 1061 | Filter - BLM11P300SPB | |
| 222 | 1607 1199 | Filter - BLM21PG600SN1B | |
| 223 | 1607 1477 | Inductor - RLF7030-4R7M3R4 | |
| 224 | 1607 1556 | Inductor: RLF7030-1R5N6R1 | |
| 225 | 1607 1567 | Filter: MPZ2012S101A | |
| 226 | 1607 1572 | Filter: MPZ1608S101A | |
| 227 | 1607 1637 | Coil: ACM2012-900-2P | |
| 228 | 1607 1827 | Inductor: RLF7030-2R2M5R4 | |
| 229 | 1607 1946 | Inductor: VLF10040-2R2N7R1 | |
| 230 | 1609 0005 | Resistor: 33 Ω : \pm 5%: 1/16W | |
| 231 | 1609 0006 | Resistor: 10K Ω : \pm 5%: 1/16W | |
| 232 | 1609 0007 | Resistor - 68 Ω \pm 5% 1/16W | |
| 233 | 1609 0011 | Resistor: 22 Ω : \pm 5%: 1/16W | |
| 234 | 1609 0016 | Resistor: 56 Ω : \pm 5%: 1/16W | |
| 235 | 1609 0020 | Resistor: 10 Ω : \pm 5%: 1/16W | |
| 236 | 1609 0026 | Resistor - 47 Ω \pm 5% 1/16W | |
| 237 | 1609 0027 | Resistor - 100K Ω \pm 5% 1/16W | |
| 238 | 1610 1900 | Resistor: 56K Ω : \pm 0.5%: 1/16W 1005 | |
| 239 | 1610 2045 | Resistor: 115K Ω : \pm 0.1%: 1/10W: 2125 | |
| 240 | 1610 2046 | Resistor: 25.5K Ω : \pm 0.1%: 1/10W: 2125 | |

| Index No. | Part No. | Description | Q'ty Per Assembly |
|-----------|-----------|--|-------------------|
| 241 | 1610 2047 | Resistor: 30.1K Ω : \pm 0.1%: 1/10W: 2125 | |
| 242 | 1633 0000 | Resistor - 0 Ω 1/10W | |
| 243 | 1634 0000 | Resistor - 0 Ω 1/16W | |
| 244 | 1650 4101 | Resistor - 100 Ω \pm 5%1/10W | |
| 245 | 1650 4470 | Resistor - 47 Ω \pm 5%1/10W | |
| 246 | 1650 4472 | Resistor - 4.7K Ω \pm 5% 1/10W | |
| 247 | 1650 5101 | Chip Resistor - 100 Ω \pm 5%1/16W | |
| 248 | 1650 5102 | Chip Resistor - 1K Ω \pm 5%1/16W | |
| 249 | 1650 5103 | Chip Resistor - 10K Ω \pm 5%1/16W | |
| 250 | 1650 5104 | Chip Resistor - 100K Ω \pm 5%1/16W | |
| 251 | 1650 5109 | Chip Resistor 1 Ω \pm 5% 1/16W | |
| 252 | 1650 5122 | Chip Resistor - 1.2K Ω \pm 5%1/16W | |
| 253 | 1650 5152 | Chip Resistor: 1.5K Ω : \pm 5%: 1/16W | |
| 254 | 1650 5203 | Resistor - 20K Ω \pm 5% 1/16W | |
| 255 | 1650 5220 | Resistor - 22 Ω \pm 5% 1/16W | |
| 256 | 1650 5221 | Chip Resistor - 220 Ω \pm 5%1/16W | |
| 257 | 1650 5222 | Resistor - 2.2K Ω \pm 5% 1/16W | |
| 258 | 1650 5272 | Chip Resistor: 2.7K Ω : \pm 5%: 1/16W | |
| 259 | 1650 5330 | Chip Resistor - 33 Ω \pm 5%1/16W | |
| 260 | 1650 5470 | Chip Resistor 47 Ω \pm 5% 1/16W | |
| 261 | 1650 5472 | Chip Resistor: 4.7K Ω : \pm 5%: 1/16W | |
| 262 | 1650 5560 | Chip Resistor 56 Ω \pm 5% 1/16W | |
| 263 | 1650 5621 | Chip Resistor 620 Ω \pm 5% 1/16W | |
| 264 | 1650 5683 | Chip Resistor 68K Ω \pm 5% 1/16W | |
| 265 | 1650 5822 | Chip Resistor: 8.2K Ω : \pm 5%: 1/16W | |
| 266 | 1654 1002 | Resistor - 10K Ω \pm 5%1/10W | |
| 267 | 1654 1004 | Chip Resistor - 1M Ω \pm 1% 1/10W | |
| 268 | 1654 1009 | Resistor - 10 Ω \pm 1% 1/10W | |
| 269 | 1654 1502 | Resistor - 15K Ω \pm 1% 1/10W | |
| 270 | 1654 1509 | Chip Resistor: 15 Ω : \pm 1%: 1/10W | |
| 271 | 1654 2200 | Resistor: 220 Ω : \pm 1%: 1/10W: 1608 | |
| 272 | 1654 3002 | Resistor - 30K Ω \pm 1%1/10W | |
| 273 | 1654 6800 | Resistor - 680 Ω \pm 1% 1/10W | |
| 274 | 1655 0000 | Chip Resistor - 0 Ω \pm 0%1/16W | |
| 275 | 1655 1000 | Chip Resistor: 100 Ω : \pm 1%: 1/16W | |

| Index No. | Part No. | Description | Q'ty Per Assembly |
|-----------|-----------|---|-------------------|
| 276 | 1655 1001 | Chip Resistor - 1K Ω \pm 1% 1/16W | |
| 277 | 1655 1002 | Chip Resistor - 10K Ω \pm 1% 1/16W | |
| 278 | 1655 1003 | Chip Resistor - 100K Ω \pm 1% 1/16W | |
| 279 | 1655 1009 | Resistor - 10 Ω \pm 1% 1/16W | |
| 280 | 1655 1109 | Resistor: 11 Ω : \pm 1%: 1/16W: 1005 | |
| 281 | 1655 1132 | Resistor: 11.3K Ω : \pm 1%: 1/16W: 1005 | |
| 282 | 1655 1200 | Resistor - 120 Ω \pm 1% 1/16W | |
| 283 | 1655 1242 | Resistor: 12.4K Ω : \pm 1%: 1/16W: 1005 | |
| 284 | 1655 1501 | Chip Resistor 1.5K Ω \pm 1% 1/16W | |
| 285 | 1655 1502 | Resistor - 15K Ω \pm 1% 1/16W | |
| 286 | 1655 1601 | Resistor: 1.6K Ω : \pm 1%: 1/16W: 1005 | |
| 287 | 1655 1651 | Resistor: 1.65K Ω : \pm 1%: 1/16W: 1005 | |
| 288 | 1655 2200 | Resistor - 220 Ω \pm 1% 1/16W | |
| 289 | 1655 2201 | Resistor: 2.2K Ω : \pm 1%: 1/16W: 1005 | |
| 290 | 1655 2209 | Resistor - 22 Ω \pm 1% 1/16W | |
| 291 | 1655 2552 | Resistor: 25.5K Ω : \pm 1%: 1/16W: 1005 | |
| 292 | 1655 3012 | Resistor: 30.1K Ω : \pm 1%: 1/16W: 1005 | |
| 293 | 1655 3309 | Resistor - 33 Ω \pm 1% 1/16W | |
| 294 | 1655 3909 | Resistor 39 Ω \pm 1% 1/16W | |
| 295 | 1655 4700 | Resistor - 470 Ω \pm 1% 1/16W | |
| 296 | 1655 4701 | Chip Resistor - 4.7K Ω \pm 1% 1/16W | |
| 297 | 1655 4702 | Chip Resistor: 47K Ω : \pm 1%: 1/16W: 1005 | |
| 298 | 1655 4709 | Resistor - 47 Ω \pm 1% 1/16W | |
| 299 | 1655 4871 | Resistor: 4.87K Ω : \pm 1%: 1/16W: 1005 | |
| 300 | 1655 4999 | Resistor - 49.9 Ω \pm 1% 1/16W | |
| 301 | 1655 5102 | Resistor: 51K Ω : \pm 1%: 1/16W: 1005 | |
| 302 | 1655 5103 | Resistor: 510K Ω : \pm 1%: 1/16W: 1005 | |
| 303 | 1655 5600 | Resistor - 560 Ω \pm 1% 1/16W | |
| 304 | 1655 5601 | Resistor - 5.6K Ω \pm 1% 1/16W | |
| 305 | 1655 5609 | Resistor - 56 Ω \pm 1% 1/16W | |
| 306 | 1655 6809 | Chip Resistor - 68 Ω \pm 1% 1/16W | |
| 307 | 1655 9101 | Resistor - 9.1K Ω \pm 1% 1/16W | |
| 308 | 1660 2101 | Capacitor - 100pF - \pm 10% - 50V | |
| 309 | 1660 2471 | Capacitor - 470pF - \pm 5% - 50V | |
| 310 | 1660 4103 | Capacitor - 10000pF - \pm 10% - 50V | |

| Index No. | Part No. | Description | Q'ty Per Assembly |
|-----------|-----------|---|-------------------|
| 311 | 1660 8104 | Capacitor - 0.1 μ F+80-20% 25V | |
| 312 | 1906 0117 | Flash Memory: S29GL032A90TFIR20 | |
| 313 | 1907 0077 | DDR512M: 8Mx16x4: 333MHZ: CL2.5G3 | |
| 314 | 1605 1681 | Capacitor: 22 μ F: \pm 20%: 10V | |
| 315 | 1654 2209 | Resistor - 22 Ω \pm 1% 1/10W | |
| 316 | 1654 3309 | Resistor - 33 Ω \pm 1% 1/10W | |
| 317 | 1906 0120 | NAND Flash: 1G: x8: 30NS: 3.3V: 2KB | |
| 318 | 1654 1809 | Resistor: 18 Ω : \pm 1%: 1/10W: 1608 | |

28. Decal And Document (D017/D018/D019/D020/D084/D085)



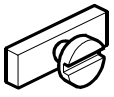
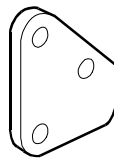
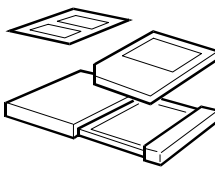
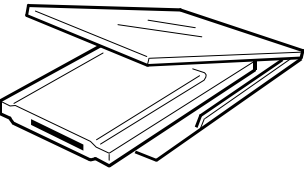
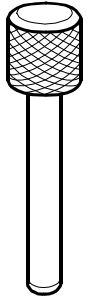
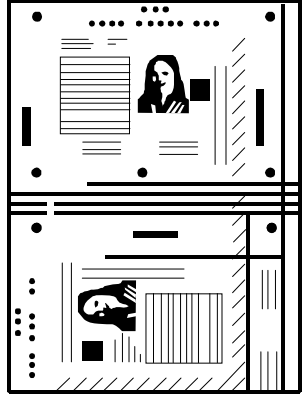
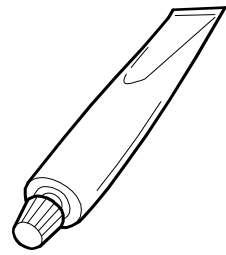
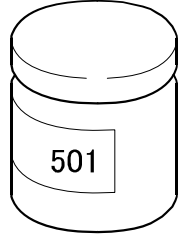

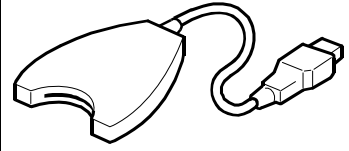
28. Decal And Document (D017/D018/D019/D020/D084/D085)

Rev. 4/14/2011

| Index No. | Part No. | Description | Q'ty Per Assembly |
|-----------|-----------|---------------------------------------|-------------------|
| 1 | GA00 0058 | Decal Warning (High Temperature) | 1 |
| 2 | B027 7352 | Decal - Side Fence | 1 |
| 3 | G029 1980 | Decal - LD | 1 |
| 4 | D019 4183 | Decal: Warning (High Temperature): C | 1 |
| 5 | D019 2892 | Decal: Paper Set Direction | 1 |
| 6 | D019 4181 | Decal: Grip: Guide Plate: Fusing Exit | 1 |
| 7 | D019 4182 | Decal: Exchange Indication: Envelope | 1 |
| 8 | D019 4184 | Decal: Grip: Guide Plate: Fusing Exit | 1 |
| 9 | AA00 1477 | Decal: Energy-Star | 1 |
| 10 | B132 1573 | Decal - Power Source: Off | 1 |
| 10 | B132 1572 | Decal: Power Source: Off: DOM | 1 |
| 11 | B238 2524 | Decal - Paper Size | 1 |
| 12 | D019 2920 | Decal: Operating: B1 Lever | 1 |

| Index No. | Part No. | Description | Q'ty Per Assembly |
|-----------|----------|-------------|-------------------|
| | | | |

29.Special Tools (D017/D018/D019/D020/D084/D085)

| | | | | |
|---|--|--|---|---|
| 1  | 2  | 3  | 4  | 5  |
| 6  | | 8  | 9  | 10  |
| | | | | 11  |

29.Special Tools (D017/D018/D019/D020/D084/D085)

| Index No. | Part No. | Description | Q'ty Per Assembly |
|-----------|------------------|----------------------------------|-------------------|
| 1 | A230 9003 | Adjusting Cam - Laser Unit | 1 |
| 2 | A267 9002 | Positioning Pin - Laser Unit | 1 |
| 3 | B645 5010 | SD-Card: Ass'y | 1 |
| 4 | B645 6705 | SD-Card: Adapter: BN-SDAA2 | 1 |
| 5 | A006 9104 | Adjusting Scanner Pin (4PCS/SET) | 1 |
| 6 | A292 9500 | Test Chart - S5S (10 PCS/SET) | 1 |
| 7 | Deleted | | |
| 8 | A257 9300 | Grease Barrierta S552R | 1 |
| 9 | 5203 9501 | Grease 501 | 1 |
| 10 | B121 9640 | Developer Type 28 Black | 1 |
| 11 | B645 6820 | SD-Card: USB: Writer: BN-SDCGTY | 1 |

| Index No. | Part No. | Description | Q'ty Per Assembly |
|-----------|----------|-------------|-------------------|
| | | | |

D017/D018/D019/D020/D084/D085 PARTS INDEX

This section shows you the part numbers and descriptions used on this machine.

PM Parts Index

| Section Name | Part No. | Description in Service Manual | Description in Parts Catalog | Q'ty Per Assembly | Page and Index No. |
|---|-----------|-------------------------------|------------------------------|-------------------|--------------------|
| Paper Tray (D017/D018/D019/D020/D084/D085) | D010 2822 | Friction Pad | Friction Pad | 1 | 23 - 17 |
| 1st Paper Feed Section (D017/D018/D019/D020/D084/D085) | A267 2751 | Paper Feed Roller | Paper Feed Roller | 1 | 25 - 8 |
| 2nd Paper Feed Section (D017/D018/D019/D020/D084/D085) | A267 2751 | Paper Feed Roller | Paper Feed Roller | 1 | 27 - 8 |
| PCU Section (D017/D018/D019/D020/D084/D085) | B039 2335 | Pick-off Pawls | Pickoff Pawl | 2 | 35 - 1 |
| PCU Section (D017/D018/D019/D020/D084/D085) | AD04 1114 | Cleaning Blade | Blade:Cleaning | 1 | 35 - 2 |
| PCU Section (D017/D018/D019/D020/D084/D085) | AD02 7018 | Charge Roller | Roller:Charge:A3 | 1 | 35 - 4 |
| PCU Section (D017/D018/D019/D020/D084/D085) | AD04 2058 | Cleaning Roller | Charge Cleaner Brush Roller | 1 | 35 - 5 |
| PCU Section (D017/D018/D019/D020/D084/D085) | B039 9510 | OPC Drum | OPC Drum | 1 | 35 - 13 |
| PCU Section (D017/D018/D019/D020/D084/D085) | B121 9640 | Developer | Developer Type 28 Black | 1 | 35 - 22 |
| Transfer Unit (D017/D018/D019/D020/D084/D085) | B209 3831 | Transfer/Separation Unit | Separation Unit:Ass'y | 1 | 37 - 23 |
| Fusing Unit 1 (D017/D018/D019/D020/D084/D085) | AE04 4025 | Hot Roller Stripper | Hot Roller Stripper | 5 | 39 - 7 |
| Fusing Unit 1 (D017/D018/D019/D020/D084/D085) | AE02 0161 | Pressure Roller | Pressure Roller - MM25 | 1 | 39 - 15 |
| Fusing Unit 2 (D017/D018/D019/D020/D084/D085) | AE01 1103 | Hot Roller | Hot Roller:MM40:T0.4 | 1 | 41 - 23 |
| Fusing Unit 2 (D017/D018/D019/D020/D084/D085) | AW10 0053 | Thermistor - Rear | Thermistor - Rear | 2 | 41 - 29 |
| Special Tools (D017/D018/D019/D020/D084/D085) | B121 9640 | Developer | Developer Type 28 Black | 1 | 87 - 10 |

Parts Index

| Part No. | Description | Page and Index No. |
|-----------|---------------------------------------|--------------------|
| D017 8600 | Model Name Plate: RIC: 2550B | 9 - 4 |
| D017 8601 | Model Name Plate: SVN: 9025B | 9 - 4 |
| D017 8602 | Model Name Plate: LAN: LD425B | 9 - 4 |
| D017 8603 | Model Name Plate: LAN: 2550B | 9 - 4 |
| D017 8604 | Model Name Plate: NSA: 2550B | 9 - 4 |
| D017 8605 | Model Name Plate: REX: 2550B | 9 - 4 |
| D017 8606 | Model Name Plate: GES: 2550B: EU | 9 - 4 |
| D017 8607 | Model Name Plate: GES: 2550B | 9 - 4 |
| D017 8608 | Model Name Plate: INF: 2550B | 9 - 4 |
| D017 8609 | Model Name Plate: RIC: 2591 | 9 - 4 |
| D017 8610 | Model Name Plate: GES: 2591 | 9 - 4 |
| D018 8600 | Model Name Plate: RIC: 2550 | 9 - 4 |
| D018 8601 | Model Name Plate: SVN: 9025 | 9 - 4 |
| D018 8602 | Model Name Plate: LAN: LD425 | 9 - 4 |
| D018 8603 | Model Name Plate: LAN: 2550 | 9 - 4 |
| D018 8604 | Model Name Plate: NSA: 2550 | 9 - 4 |
| D018 8605 | Model Name Plate: REX: 2550 | 9 - 4 |
| D018 8606 | Model Name Plate: GES: 2550: EU | 9 - 4 |
| D018 8607 | Model Name Plate: GES: 2550 | 9 - 4 |
| D018 8608 | Model Name Plate: INF: 2550 | 9 - 4 |
| D019 1054 | Guide Plate: Toner Supply Unit: Ass'y | 33 - 13 |
| D019 1058 | Bracket: Stopper | 43 - 19 |
| D019 1059 | Guide: Stopper | 43 - 20 |
| D019 1075 | Sponge Side Plate Rear (D018/D020) | 57 - 24 |
| D019 1077 | Bracket: Scanning: Rear Left | 11 - 22 |
| D019 1078 | Support Frame - Right Front | 57 - 18 |
| D019 1079 | Support Frame - Right Rear | 57 - 20 |
| D019 1080 | X/O MB18 | 57 - 19 |
| D019 1081 | Scanner Stay - Right Lower | 57 - 19 |
| D019 1083 | Guide Plate: Lengthwise: Left Rear | 57 - 22 |
| D019 1086 | Seal Arm Scanner | 57 - 25 |
| D019 1087 | Bracket: Scanning: Front Left | 11 - 23 |
| D019 1088 | Hinge - Front Door | 57 - 7 |
| D019 1091 | Bracket - PCU | 57 - 15 |
| D019 1093 | Arm - Scanner | 57 - 23 |

| Part No. | Description | Page and Index No. |
|-----------|----------------------------------|--------------------|
| D019 1095 | Bracket: Scanning: Front Right | 11 - 24 |
| D019 1098 | Bracket: Scanning: Rear Right | 11 - 25 |
| D019 1099 | Guide Plate: Scanner: Packing | 9 - 21 |
| D019 1106 | Guide Plate: Duct: Exhaust: C | 57 - 2 |
| D019 1129 | Brushless Motor-DC 30W | 45 - 23 |
| D019 1184 | Fly Wheel - 118.5MM | 45 - 22 |
| D019 1186 | X/O MB5 | 31 - 23 |
| D019 1187 | O/O (200903 PCIL) | 31 - 23 |
| D019 1188 | Magnetic Clutch: 0.5N M: Z35 | 31 - 23 |
| D019 1254 | Left Scanner Cover - NA | 11 - 16 |
| D019 1255 | Upper Scanner Cover - Rear NA | 11 - 19 |
| D019 1256 | Upper Scanner Cover - Front NA | 11 - 18 |
| D019 1257 | Cover: Scanner: Front Upper: NA | 11 - 17 |
| D019 1261 | Front Door - NA | 9 - 6 |
| D019 1266 | Front Door - EU | 9 - 6 |
| D019 1268 | Sheet: Operation Instructions | 9 - 15 |
| D019 1277 | Right Cover - NA | 11 - 9 |
| D019 1278 | Right Rear Cover - NA | 11 - 7 |
| D019 1279 | Right Front Cover - NA | 11 - 6 |
| D019 1282 | Cover: Left Rear: MONO | 11 - 2 |
| D019 1283 | Left Upper Cover - NA | 11 - 1 |
| D019 1284 | Left Cover - NA | 11 - 3 |
| D019 1285 | Left Rear - NA | 11 - 2 |
| D019 1294 | Rear Cover | 11 - 14 |
| D019 1295 | Right Rear Cover - Lower Only NA | 11 - 21 |
| D019 1296 | Cover: Paper Feed Sub-Unit: Rear | 11 - 20 |
| D019 1296 | Right Rear Cover | 11 - 12 |
| D019 1307 | Rear Cover - Paper Exit NA | 11 - 4 |
| D019 1308 | Upper Cover - Paper Exit NA | 9 - 17 |
| D019 1321 | Cover: Front: Right Upper: NA | 9 - 26 |
| D019 1322 | Front Cover - Right Upper EU | 9 - 26 |
| D019 1326 | Front Cover - Right Upper NA | 9 - 19 |
| D019 1327 | Rear Exit Cover - EU | 11 - 4 |
| D019 1328 | Upper Exit Cover - EU | 9 - 17 |
| D019 1329 | Front Cover - Right Upper EU | 9 - 19 |

| Part No. | Description | Page and Index No. |
|-----------|--------------------------------------|--------------------|
| D019 1330 | Front Cover | 9 - 14 |
| D019 1343 | Exit Cover | 9 - 10 |
| D019 1346 | Lower Cover - Paper Exit | 11 - 5 |
| D019 1347 | Lower Exit Cover - EU | 11 - 5 |
| D019 1348 | Support Tray - Paper Exit | 9 - 9 |
| D019 1349 | End Fence - Paper | 9 - 8 |
| D019 1350 | Left Scanner Cover - EU | 11 - 16 |
| D019 1351 | Rear Scanner Cover - EU | 11 - 19 |
| D019 1352 | Right Scanner Cover - EU | 11 - 18 |
| D019 1353 | Front Scanner Cover - EU | 11 - 17 |
| D019 1354 | Right Cover - EU | 11 - 9 |
| D019 1355 | Right Rear Cover - EU | 11 - 7 |
| D019 1356 | Right Front Cover - EU | 11 - 6 |
| D019 1357 | Left Upper Cover - EU | 11 - 1 |
| D019 1358 | Left Cover - EU | 11 - 3 |
| D019 1359 | Left Rear Cover - EU | 11 - 2 |
| D019 1361 | Exit Cover EU | 9 - 10 |
| D019 1365 | CAP: 38x77 | 11 - 13 |
| D019 1371 | Connector Cap - Vertical Transport | 11 - 8 |
| D019 1376 | Cap - Paper Feed Table NA | 11 - 15 |
| D019 1378 | Cap - Paper Feed Table EU | 11 - 15 |
| D019 1379 | Cover: Left Rear: EU: Color | 11 - 2 |
| D019 1390 | Rear Cover - EU | 11 - 14 |
| D019 1391 | Right Rear Cover - Lower Only EU | 11 - 21 |
| D019 1393 | Cover: Paper Feed Sub-Unit: Rear: EU | 11 - 20 |
| D019 1393 | Right Rear Cover - Lower EU | 11 - 12 |
| D019 1411 | Operation Panel - NA | 13 - * |
| D019 1412 | Operation Panel - EU | 13 - * |
| D019 1413 | Operation Panel - TWN/AA | 13 - * |
| D019 1461 | LCDC Board - NA | 13 - 9 |
| D019 1462 | LCDC Board - EU | 13 - 9 |
| D019 1463 | LCDC Board - TWN/AA | 13 - 9 |
| D019 1502 | Lower Cover - Operation Panel | 13 - 12 |
| D019 1505 | Bracket - LCDC Board | 13 - 7 |
| D019 1520 | Seal Operation Sub Unit: A | 13 - 33 |

| Part No. | Description | Page and Index No. |
|-----------|-----------------------------------|--------------------|
| D019 1521 | Seal Operation Sub Unit: B | 13 - 34 |
| D019 1522 | Cushion Operation Sub Unit: Front | 13 - 32 |
| D019 1689 | 2nd Scanner Ass'y (MS model) | 19 - 1 |
| D019 1698 | MB6 | 17 - 11 |
| D019 1703 | Lens Unit | 17 - 11 |
| D019 1704 | Bracket: Tension (CS model) | 19 - 15 |
| D019 1713 | Scale: Left: B: NA: Ass'y | 15 - 4 |
| D019 1723 | Scale: Left: B: Ass'y | 15 - 4 |
| D019 1751 | Rear Scale | 15 - 5 |
| D019 1753 | Harness Cover | 17 - 13 |
| D019 1785 | Frame: Rear (MS models) | 15 - 16 |
| D019 1788 | Bracket - Scanner Drive Motor | 19 - 10 |
| D019 1789 | Cover: Sensor: AKS | 15 - 19 |
| D019 1801 | Scale: Left: A | 15 - 1 |
| D019 1803 | Bracket: Document Feeder | 15 - 15 |
| D019 1817 | 1st Scanner Ass'y | 17 - 1 |
| D019 1823 | Inner Cover - Scanner (MS model) | 17 - 8 |
| D019 1827 | Bracket: Original Sensor | 17 - 10 |
| D019 1830 | Xenon Lamp: Monochrome | 17 - 2 |
| D019 1900 | Imaging Unit | 21 - * |
| D019 1919 | Laser Diode Unit | 21 - 14 |
| D019 2538 | 1st Paper Tray Ass'y | 23 - * |
| D019 2539 | 2nd Paper Tray Ass'y | 23 - * |
| D019 2562 | Right Front Grip | 57 - 16 |
| D019 2564 | Left Grip | 57 - 10 |
| D019 2565 | Left Grip Cover | 57 - 9 |
| D019 2566 | Right Front Grip | 57 - 16 |
| D019 2567 | Cover - Right Front Grip | 57 - 17 |
| D019 2576 | Grip Bracket - Rear Left | 57 - 21 |
| D019 2587 | Bracket - Guide Plate No.2 | 27 - 17 |
| D019 2593 | Cover: Positioning Pin: Middle | 49 - 27 |
| D019 2596 | Cover: Drive: Paper Feed: Right | 47 - 16 |
| D019 2598 | Heater: NA: Ass'y | 27 - 19 |
| D019 2599 | Heater: EU: Ass'y | 27 - 19 |
| D019 2616 | O/O (200903 PCIL) | 47 - 13 |

| Part No. | Description | Page and Index No. |
|-----------|---------------------------------------|--------------------|
| D019 2617 | O/O (200903 PCIL) | 47 - 14 |
| D019 2656 | Guide Plate - Upper | 37 - 21 |
| D019 2682 | Upper Drive Roller | 25 - 14 |
| D019 2690 | Left Guide Plate - Registration | 31 - 10 |
| D019 2692 | Left Guide Plate - Registration | 31 - 15 |
| D019 2694 | Right Guide Plate - Registration | 31 - 16 |
| D019 2699 | Left Guide Plate 2 - Registration | 31 - 14 |
| D019 2703 | Rear Lever - Transfer | 29 - 7 |
| D019 2704 | Front Lever - Transfer | 29 - 9 |
| D019 2705 | Rear Lever - Fusing | 29 - 8 |
| D019 2706 | Front Lever - Transfer | 29 - 10 |
| D019 2707 | Guide Plate: Exit: Vertical Transport | 29 - 6 |
| D019 2710 | Frame - Vertical Transport | 29 - 11 |
| D019 2716 | Bracket: Manual Feed | 29 - 18 |
| D019 2720 | Registration Roller - Drive | 31 - 3 |
| D019 2722 | Release Pawl - Rear | 29 - 12 |
| D019 2723 | Release Grip | 29 - 16 |
| D019 2724 | Tension Spring | 29 - 25 |
| D019 2725 | Bracket: UN Lock | 29 - 15 |
| D019 2727 | Stepped Screw - M4 | 29 - 14 |
| D019 2728 | Release Pawl - Front | 29 - 17 |
| D019 2731 | Guide Plate - Vertical Transport | 29 - 4 |
| D019 2734 | Spring - Transport | 29 - 2 |
| D019 2736 | Bushing - Vertical Transport | 29 - 1 |
| D019 2737 | Driven Roller - Vertical Transport | 29 - 5 |
| D019 2755 | Cleaner-registration | 31 - 1 |
| D019 2757 | Cleaner Bracket - Registration | 31 - 7 |
| D019 2761 | Link - Vertical Transport | 29 - 19 |
| D019 2764 | Screw: DIA5: Hinge | 29 - 24 |
| D019 2775 | Guide Plate - Lower | 37 - 22 |
| D019 2776 | Lever: DC Motor: Ass'y | 49 - 19 |
| D019 2795 | Side Fence Bracket | 49 - 26 |
| D019 2804 | Guide Plate - Paper Feed Roller 1 | 25 - 7 |
| D019 2807 | Stopper - Paper Feed Roller | 25 - 5 |
| D019 2816 | Magnetic Clutch: 0.35N M: Z50 | 47 - 13 |

| Part No. | Description | Page and Index No. |
|-----------|-------------------------------------|--------------------|
| D019 2820 | Registration Roller - Driven | 31 - 6 |
| D019 2822 | Knob - Registration Roller | 31 - 4 |
| D019 2823 | Bushing - Driven Roller | 31 - 22 |
| D019 2826 | Front Bracket - Registration Guide | 31 - 8 |
| D019 2827 | Rear Bracket - Registration Guide | 31 - 9 |
| D019 2829 | Spring - Driven Registration | 31 - 21 |
| D019 2841 | Upper Cover - Vertical Transport | 29 - 21 |
| D019 2842 | Middle Cover - Vertical Transport | 29 - 22 |
| D019 2843 | Lower Cover - Vertical Transport | 29 - 23 |
| D019 2846 | Link: Damper: Ass'y | 27 - 13 |
| D019 2849 | Shutter - Photointerruptor | 49 - 22 |
| D019 2860 | Shaft: DC Motor: Ass'y | 49 - 18 |
| D019 2892 | Decal: Paper Set Direction | 23 - 29 |
| D019 2892 | Decal: Paper Set Direction | 85 - 5 |
| D019 2920 | Decal: Operating: B1 Lever | 31 - 24 |
| D019 2920 | Decal: Operating: B1 Lever | 85 - 12 |
| D019 3461 | Charge Receptacle | 45 - 21 |
| D019 3501 | Toner Supply Unit | 33 - 1 |
| D019 3812 | Cleaner: Registration: Driven | 37 - 4 |
| D019 3821 | Cover Ass'y - Transfer/Separation | 37 - 25 |
| D019 3855 | Cover: Transfer/Separation Unit: C5 | 37 - 10 |
| D019 3859 | Compression Spring | 37 - 14 |
| D019 3866 | Pressure Cover - Transfer Unit | 37 - 15 |
| D019 3867 | Roller - Transfer Unit | 37 - 16 |
| D019 3901 | ID Sensor | 37 - 18 |
| D019 3908 | Cover - Density Sensor Harness | 37 - 20 |
| D019 3931 | Lever: Shutter | 37 - 13 |
| D019 3941 | Band - Vertical Transport Cover | 37 - 12 |
| D019 3950 | Receptacle - Transfer/Separation | 45 - 16 |
| D019 4001 | Fusing Unit - 120V | 39 - * |
| D019 4002 | Fusing Unit - 230V | 39 - * |
| D019 4003 | Fusing Unit - TWN | 39 - * |
| D019 4032 | Upper Frame - Fusing Unit | 39 - 1 |
| D019 4072 | Lower Frame - Fusing Unit | 41 - 27 |
| D019 4080 | Sheet: Thermostat | 41 - 35 |

| Part No. | Description | Page and Index No. |
|-----------|---------------------------------------|--------------------|
| D019 4101 | Bracket - Stripper Pawls | 39 - 4 |
| D019 4111 | Shaft - Pressure Lever | 41 - 13 |
| D019 4112 | Grip - Pressure Change | 41 - 4 |
| D019 4114 | Tension Spring - Pressure | 39 - 5 |
| D019 4116 | Front Lever - Pressure Roller | 41 - 5 |
| D019 4117 | Rear Lever - Pressure Roller | 41 - 33 |
| D019 4121 | Front Side Plate - Fusing | 41 - 6 |
| D019 4125 | Rear Side Plate - Fusing | 41 - 24 |
| D019 4156 | Guide Plate: Fusing: Upper | 39 - 24 |
| D019 4158 | Spring: Open And Close: Guide | 39 - 23 |
| D019 4161 | Knob Screw: Fix: Fusing | 39 - 18 |
| D019 4166 | End Ring: Spring: DIA4 | 41 - 9 |
| D019 4169 | Seal: Fusing Cover | 41 - 36 |
| D019 4171 | Lever: Pressure Release: Front: Ass'y | 41 - 8 |
| D019 4181 | Decal: Grip: Guide Plate: Fusing Exit | 85 - 6 |
| D019 4181 | Decal: Grip: Guide Plate: Fusing Exit | 39 - 25 |
| D019 4182 | Decal: Exchange Indication: Envelope | 41 - 34 |
| D019 4182 | Decal: Exchange Indication: Envelope | 85 - 7 |
| D019 4183 | Decal: Warning (High Temperature): C | 41 - 25 |
| D019 4183 | Decal: Warning (High Temperature): C | 85 - 4 |
| D019 4184 | Decal: Grip: Guide Plate: Fusing Exit | 85 - 8 |
| D019 4184 | Decal: Grip: Guide Plate: Fusing Exit | 39 - 26 |
| D019 4191 | Lever: Pressure Release: Rear: Ass'y | 41 - 12 |
| D019 4194 | Roller: Lever: Pressure | 41 - 10 |
| D019 4197 | Lever: Lock: Pressure | 41 - 7 |
| D019 4452 | Stay - Exit Unit | 43 - 18 |
| D019 4454 | Guide Plate - Exit | 43 - 15 |
| D019 4792 | Screw: Drawer | 41 - 11 |
| D019 5051 | X/O MB17 | 55 - 16 |
| D019 5051 | X/O MB17 | 65 - * |
| D019 5052 | X/O MB17 | 65 - * |
| D019 5052 | X/O MB17 | 55 - 16 |
| D019 5055 | BCU Board - 33 (D019/D020) | 55 - 16 |
| D019 5055 | BCU Board - 33 | 65 - * |
| D019 5056 | BCU Board - 25 (D017/D018) | 55 - 16 |

| Part No. | Description | Page and Index No. |
|-----------|------------------------------------|--------------------|
| D019 5056 | BCU Board - 25 | 65 - * |
| D019 5110 | SIO Board (MS model) | 53 - 1 |
| D019 5130 | SIU Board | 51 - 2 |
| D019 5152 | PCB: Image Processing Unit | 51 - 5 |
| D019 5200 | Harness - ADF | 53 - 9 |
| D019 5200 | Harness - ADF | 55 - 2 |
| D019 5201 | Harness: Regist Sensor | 55 - 26 |
| D019 5202 | Harness - Main Motor | 55 - 7 |
| D019 5203 | Harness - New Parts Sensor | 33 - 15 |
| D019 5204 | Door Switch Harness | 55 - 8 |
| D019 5205 | Harness - Quenching Lamp | 55 - 5 |
| D019 5206 | Harness - Paper Exit | 55 - 1 |
| D019 5207 | Harness - Paper Feed Sensor | 43 - 13 |
| D019 5209 | Harness - Paper Feed Clutch | 55 - 14 |
| D019 5210 | FFC Harness 1 - IPU | 51 - 9 |
| D019 5212 | Harness - Power Supply Unit | 55 - 22 |
| D019 5213 | AC Harness - Heater | 55 - 21 |
| D019 5215 | Interface Harness - Paper End | 27 - 3 |
| D019 5215 | Interface Harness - Paper End | 25 - 3 |
| D019 5217 | Harness - Power Pack | 55 - 4 |
| D019 5217 | Harness - Power Pack | 53 - 7 |
| D019 5218 | Harness - High Voltage B: R-C | 45 - 24 |
| D019 5221 | FFC Harness 2 - IPU | 51 - 8 |
| D019 5222 | Harness - Sync Detector | 21 - 10 |
| D019 5223 | Harness - Laser Diode | 51 - 6 |
| D019 5224 | Harness - Polygon Mirror Motor | 21 - 7 |
| D019 5226 | Harness - OPU MS | 51 - 7 |
| D019 5229 | AC Harness - Main Switch | 55 - 18 |
| D019 5230 | Harness - APS MS | 17 - 16 |
| D019 5231 | Harness - Paper Size Sensor | 55 - 12 |
| D019 5232 | Harness - Paper Feed Motor | 55 - 9 |
| D019 5233 | Harness - 1st Paper Feed | 55 - 10 |
| D019 5234 | Harness - 2nd Paper Feed | 55 - 11 |
| D019 5236 | Interface Harness - Density Sensor | 37 - 19 |
| D019 5237 | Interface Harness - Regist Sensor | 31 - 13 |

| Part No. | Description | Page and Index No. |
|-----------|--|--------------------|
| D019 5239 | Harness - IPU Power Source | 55 - 13 |
| D019 5241 | Harness - Interface Unit | 55 - 17 |
| D019 5244 | Harness: Bypass: Duplex | 55 - 6 |
| D019 5245 | Harness - SBU MS | 51 - 1 |
| D019 5245 | Harness - SBU MS | 17 - 14 |
| D019 5248 | Harness - BCU-SIO | 53 - 3 |
| D019 5249 | Harness - Scanner Motor | 19 - 8 |
| D019 5250 | Harness - Home Position Sensor | 55 - 3 |
| D019 5250 | Harness - Home Position Sensor | 15 - 10 |
| D019 5252 | Harness - Exposure Lamp MS | 17 - 15 |
| D019 5254 | Harness - SBU Power MS (MS model) | 53 - 2 |
| D019 5271 | Fusing AC Harness - 120V | 45 - 18 |
| D019 5272 | Fusing AC Harness - 230V | 45 - 18 |
| D019 5274 | Drawer: Fusing: 120V | 39 - 8 |
| D019 5275 | Drawer: Fusing: 230V | 39 - 8 |
| D019 5310 | Controller Board - 33 MS (D019) | 51 - 12 |
| D019 5310 | Controller Board - 33 MS | 81 - * |
| D019 5311 | Controller Board - 25 MS | 81 - * |
| D019 5311 | Controller Board - 25 MS (D017) | 51 - 12 |
| D019 5615 | Power Supply: Cord: Stopper: NA: Ass'y | 55 - 23 |
| D019 5631 | Power Supply Cord: Stopper: EU | 55 - 23 |
| D019 5691 | Power Supply Cord: Stopper: CHN | 55 - 23 |
| D019 5824 | Harness Bracket | 47 - 1 |
| D019 5826 | Connector Bracket - Manual Feed | 47 - 18 |
| D019 5828 | Grip - Rear Right | 47 - 17 |
| D019 5831 | Bracket - Power Supply Cord | 55 - 24 |
| D019 5834 | Bracket - Grip | 47 - 19 |
| D019 5838 | Bracket - IOB | 55 - 15 |
| D019 5839 | Upper Stand - IOB | 53 - 8 |
| D019 5840 | Lower Stand - IOB | 53 - 10 |
| D019 5849 | Gasket | 15 - 13 |
| D019 5850 | Bracket - IPU | 51 - 4 |
| D019 5853 | Cover - IPU FFC | 51 - 10 |
| D019 5856 | Application Rack - Upper | 53 - 13 |
| D019 5859 | Bracket 2 - Control Board | 51 - 11 |

| Part No. | Description | Page and Index No. |
|-----------|----------------------------------|--------------------|
| D019 5860 | Application Rack - Lower | 53 - 12 |
| D019 5868 | Bracket - Control Board | 51 - 17 |
| D019 5871 | SIU Bracket | 51 - 3 |
| D019 5875 | Shading Plate - Controller | 53 - 11 |
| D019 5890 | Panel - Fax | 51 - 16 |
| D019 5899 | Thermally Conductive Sheet | 51 - 27 |
| D019 8464 | Heater: Scanner: NA: Ass'y | 19 - 22 |
| D019 8466 | Heater: Scanner: EU: Ass'y | 19 - 22 |
| D019 8600 | Model Name Plate: RIC: 3350B | 9 - 4 |
| D019 8601 | Model Name Plate: SVN: 9033B | 9 - 4 |
| D019 8602 | Model Name Plate: LAN: LD433B | 9 - 4 |
| D019 8603 | Model Name Plate: LAN: 3350B | 9 - 4 |
| D019 8604 | Model Name Plate: NSA: 3350B | 9 - 4 |
| D019 8605 | Model Name Plate: REX: 3350B | 9 - 4 |
| D019 8606 | Model Name Plate: GES: 3350B: EU | 9 - 4 |
| D019 8607 | Model Name Plate: GES: 3350B | 9 - 4 |
| D019 8608 | Model Name Plate: INF: 3350B | 9 - 4 |
| D019 8609 | Model Name Plate: RIC: 3391 | 9 - 4 |
| D019 8610 | Model Name Plate: GES: 3391 | 9 - 4 |
| D020 1698 | MB6 | 17 - 11 |
| D020 1703 | Lens Unit | 17 - 11 |
| D020 5162 | SIU Board - CS | 51 - 2 |
| D020 5180 | SIO Board - CS (CS model) | 53 - 1 |
| D020 5211 | Harness: Operation Sub-unit: 24V | 51 - 7 |
| D020 5212 | Harness: BCU: HPS/AKS: 5V | 55 - 3 |
| D020 5212 | Harness: BCU: HPS/AKS: 5V | 15 - 10 |
| D020 5310 | Controller Board - 33 CS | 81 - * |
| D020 5310 | Controller Board - 33 CS (D020) | 51 - 12 |
| D020 5311 | Controller Board - 25 CS (D018) | 51 - 12 |
| D020 5311 | Controller Board - 25 CS | 81 - * |
| D020 8600 | Model Name Plate: RIC: 3350 | 9 - 4 |
| D020 8601 | Model Name Plate: SVN: 9033 | 9 - 4 |
| D020 8602 | Model Name Plate: LAN: LD433 | 9 - 4 |
| D020 8603 | Model Name Plate: LAN: 3350 | 9 - 4 |
| D020 8604 | Model Name Plate: NSA: 3350 | 9 - 4 |

| Part No. | Description | Page and Index No. |
|-----------|-----------------------------------|--------------------|
| D020 8605 | Model Name Plate: REX: 3350 | 9 - 4 |
| D020 8606 | Model Name Plate: GES: 3350: EU | 9 - 4 |
| D020 8607 | Model Name Plate: GES: 3350 | 9 - 4 |
| D020 8608 | Model Name Plate: INF: 3350 | 9 - 4 |
| D084 8600 | Sheet: EMBLEM: 28: RIC (D084) | 9 - 4 |
| D084 8604 | Sheet: EMBLEM: 28: NAS (D084) | 9 - 4 |
| D084 8605 | Sheet: EMBLEM: 28: REX (D084) | 9 - 4 |
| D084 8606 | Sheet: EMBLEM: 28: GES: EU (D084) | 9 - 4 |
| D084 8607 | Sheet: EMBLEM: 28: GES: NA (D084) | 9 - 4 |
| D084 8608 | Sheet: EMBLEM: 28: INF (D084) | 9 - 4 |
| D085 5055 | PCB: BCU: 33 (D085) | 55 - 16 |
| D085 5055 | PCB: BCU: 33 (D085) | 65 - * |
| D085 5056 | PCB: BCU: 28 (D084) | 55 - 16 |
| D085 5056 | PCB: BCU: 28 (D084) | 65 - * |
| D085 5310 | PCB: Controller: 33 (D085) | 81 - * |
| D085 5310 | PCB: Controller: 33 (D085) | 51 - 12 |
| D085 5311 | PCB: Controller: 28 (D084) | 81 - * |
| D085 5311 | PCB: Controller: 28 (D084) | 51 - 12 |
| D085 8600 | Sheet: EMBLEM: 33: RIC (D085) | 9 - 4 |
| D085 8604 | Sheet: EMBLEM: 33: NAS (D085) | 9 - 5 |
| D085 8605 | Sheet: EMBLEM: 33: REX (D085) | 9 - 5 |
| D085 8606 | Sheet: EMBLEM: 33: GES: EU (D085) | 9 - 5 |
| D085 8607 | Sheet: EMBLEM: 33: GES: NA (D085) | 9 - 5 |
| D085 8608 | Sheet: EMBLEM: 33: INF (D085) | 9 - 5 |

| Part No. | Description | Page and Index No. |
|-----------|----------------------------------|--------------------|
| A006 9104 | Adjusting Scanner Pin (4PCS/SET) | 87 - 5 |
| A028 9300 | O/O MGenM001 | 87 - 8 |
| A029 9387 | Digital Multimeter - FLUKE87 | 87 - 7 |
| A100 1714 | Reflector | 17 - 19 |
| A184 3422 | Toner Slider | 33 - 4 |
| A193 1766 | Wire Clamp | 17 - 3 |
| A193 1767 | 1st Mirror Holder | 17 - 7 |
| A193 1769 | Clamp - Rear Wire | 17 - 4 |
| A193 1816 | 1st Slide Rail | 19 - 23 |
| A230 9003 | Adjusting Cam - Laser Unit | 87 - 1 |
| A232 1916 | Collar-polygon Motor | 21 - 8 |
| A232 2374 | Spur | 41 - 31 |
| A250 1752 | Exposure Glass | 15 - 6 |
| A257 9300 | Grease Barrierta S552R | 87 - 8 |
| A267 1059 | PCU Seal | 35 - 3 |
| A267 1059 | PCU Seal | 57 - 14 |
| A267 1089 | Grounding Plate - Upper Rear | 15 - 12 |
| A267 1090 | Grounding Plate - Lower Right | 15 - 14 |
| A267 1325 | Cap - LED | 9 - 18 |
| A267 1342 | Shield Duct | 9 - 7 |
| A267 1930 | Positioning Bracket - Laser Unit | 57 - 8 |
| A267 1944 | Plate - Sync. Detector Board | 21 - 9 |
| A267 2601 | Positioning Guide - Bypass Feed | 47 - 21 |
| A267 2751 | Paper Feed Roller | 25 - 8 |
| A267 2751 | Paper Feed Roller | 27 - 8 |
| A267 2754 | Shaft - Paper Feed Roller | 27 - 9 |
| A267 2754 | Shaft - Paper Feed Roller | 25 - 9 |
| A267 2770 | Vibrating Plate | 49 - 10 |
| A267 2803 | Feeler - Paper End Sensor | 25 - 4 |
| A267 2803 | Feeler - Paper End Sensor | 27 - 4 |
| A267 2834 | Pressure Spring - Friction Pad | 23 - 18 |
| A267 2845 | Bushing - DC Motor Shaft | 49 - 16 |
| A267 2846 | Holder - Spring | 49 - 14 |
| A267 2847 | Bushing - Motor Shaft | 49 - 23 |
| A267 2857 | Spring Plate - Side Fence | 23 - 36 |

| Part No. | Description | Page and Index No. |
|-----------|------------------------------------|--------------------|
| A267 2865 | Shaft - Roller | 23 - 41 |
| A267 2878 | Spring Plate - Grounding | 23 - 11 |
| A267 2899 | Sponge - Paper Feed Tray | 23 - 12 |
| A267 2917 | Base Pad | 23 - 22 |
| A267 3556 | Chuck Spring - Tonner Bottle | 33 - 6 |
| A267 3861 | Terminal - Transfer Roller | 37 - 8 |
| A267 3862 | Terminal - Separation | 37 - 9 |
| A267 3905 | Cover - ID Sensor | 37 - 5 |
| A267 3958 | Roller - Lever | 29 - 13 |
| A267 4076 | Spacer - Safety Switch | 41 - 32 |
| A267 4085 | Fusing Entrance Guide | 41 - 26 |
| A267 4086 | Fusing Ground Plate - Entrance | 41 - 28 |
| A267 4103 | Spring - Fusing Stripper | 39 - 6 |
| A267 4474 | Spring Plate - Tension Roller | 43 - 4 |
| A267 4476 | Feeler - Paper Feed Sensor | 43 - 9 |
| A267 4478 | Feeler - Paper Overflow | 43 - 8 |
| A267 4479 | Shaft - Paper Overflow | 43 - 7 |
| A267 4483 | Spring Plate - Tension Roller | 43 - 3 |
| A267 9002 | Positioning Pin - Laser Unit | 87 - 2 |
| A292 9500 | Test Chart - S5S (10 PCS/SET) | 87 - 6 |
| B024 1365 | O/O (200906 PCIL) | 11 - 13 |
| B024 2765 | Pressure Lever Stopper | 49 - 7 |
| B024 2839 | Harness Cover - Paper Feed | 49 - 25 |
| B027 3620 | Motor Spacer - Toner Bottle | 33 - 10 |
| B027 4079 | Harness - Sheet | 41 - 16 |
| B027 4091 | Front Terminal Plate - Thermostat | 41 - 1 |
| B027 4092 | Terminal Plate - Thermostat | 41 - 14 |
| B027 4093 | Rear Terminal Plate - Thermostat | 41 - 15 |
| B027 7352 | Decal - Side Fence | 85 - 2 |
| B027 7352 | Decal - Side Fence | 23 - 6 |
| B031 2836 | Clip: Shaft | 49 - 20 |
| B031 4056 | C Ring - Hot Roller | 39 - 13 |
| B039 1367 | Rivet - M6 | 11 - 11 |
| B039 2287 | Charge Roller Spring | 35 - 6 |
| B039 2292 | Front Pressure Arm - Charge Roller | 35 - 7 |

| Part No. | Description | Page and Index No. |
|-----------|---|--------------------|
| B039 2293 | Pin - Front Pressure Arm | 35 - 8 |
| B039 2335 | Pickoff Pawl | 35 - 1 |
| B039 2343 | Drum Shutter | 35 - 23 |
| B039 2350 | Clip - OPC DRUM | 35 - 11 |
| B039 3060 | Development Roller Gear | 35 - 16 |
| B039 3062 | Idler Gear | 35 - 15 |
| B039 9510 | OPC Drum | 35 - 13 |
| B044 3191 | Tapping Screw-M3x8 | 33 - 5 |
| B051 4050 | Philips Screw - M3x8 | 39 - 22 |
| B065 1371 | Cloth Holder | 9 - 22 |
| B065 1374 | Cloth - DF Exposure Glass | 9 - 23 |
| B090 1076 | Guide Plate: Fusing Unit: Rear: C | 45 - 17 |
| B090 1085 | Bracket: Protect: Side Plate: Left Rear | 57 - 1 |
| B090 1111 | Timing Pulley - 31/36T | 45 - 13 |
| B090 1115 | Bracket: Tension | 45 - 15 |
| B090 1159 | Bracket: Fusing: Drive | 45 - 7 |
| B090 1162 | Cover: Fusing: Drive | 45 - 1 |
| B090 1170 | Bracket: Fusing: Swivel | 45 - 5 |
| B090 1264 | Magnet Catch: Door: Front | 9 - 3 |
| B090 1265 | Cover: Shield Glass: C | 9 - 16 |
| B090 1302 | Cover: Main Switch | 9 - 5 |
| B090 1375 | Cap: Heater: Dehumidifier | 11 - 10 |
| B090 1917 | Cover: Polygon Scanner: Ass'y | 21 - 4 |
| B090 1938 | Cover: Optical Housing | 21 - 5 |
| B090 2592 | Cover: Right Inner Rear | 49 - 5 |
| B090 2593 | Cover: Left Inner Rear | 49 - 28 |
| B090 2602 | Bracket: Tension | 47 - 9 |
| B090 2604 | Stopper: Feed: CL | 47 - 15 |
| B090 2621 | Snap Ring - M6 | 31 - 19 |
| B090 2663 | Bracket: Photointerruptor | 25 - 10 |
| B090 2686 | Snap Ring | 35 - 7 |
| B090 2686 | Snap Ring | 31 - 18 |
| B090 2686 | Snap Ring | 25 - 6 |
| B090 2686 | Snap Ring | 27 - 6 |
| B090 2698 | Bracket: Registration Sensor | 31 - 11 |

| Part No. | Description | Page and Index No. |
|-----------|-------------------------------------|--------------------|
| B090 2742 | Roller: Pull Out: Option Tray | 29 - 3 |
| B090 2773 | Bracket: Rise: 2 | 49 - 4 |
| B090 2805 | Bracket: Paper End Sensor | 25 - 1 |
| B090 2805 | Bracket: Paper End Sensor | 27 - 1 |
| B090 2815 | Bracket: Rise: 1 | 49 - 9 |
| B090 2837 | Bracket: DC Motor: 1 | 49 - 24 |
| B090 2838 | Bracket: DC Motor: 2 | 49 - 17 |
| B090 2848 | Stopper: Holder: Compression Spring | 49 - 13 |
| B090 2856 | Bracket: Rise | 23 - 10 |
| B090 2858 | Lever: Stopper: Front | 23 - 32 |
| B090 2859 | Stopper: Positioning | 23 - 33 |
| B090 2860 | Lever: Stopper: Positioning | 23 - 34 |
| B090 2864 | Roller: Bracket: Rise | 23 - 40 |
| B090 2869 | Gear - 16Z | 23 - 14 |
| B090 2987 | Roller: Paper Tray | 23 - 13 |
| B090 3560 | Cover: Toner Bottle: Ass'y | 33 - 9 |
| B090 3571 | Chuck: Bottle | 33 - 8 |
| B090 3572 | Shaft: Chuck | 33 - 3 |
| B090 3573 | Slider: Ass'y | 33 - 7 |
| B090 3605 | Cam: Handle | 33 - 2 |
| B090 4082 | Link: Release: Drive | 41 - 21 |
| B090 4083 | Lever: Release: Drive | 41 - 22 |
| B090 4092 | Terminal: Heater | 39 - 9 |
| B090 4099 | Holder: Thermistor | 41 - 30 |
| B090 4489 | Cover: Paper Feed Sensor | 43 - 12 |
| B090 5813 | Bracket: Micro Switch | 57 - 5 |
| B090 5833 | Bracket: Power Pack | 53 - 4 |
| B090 7440 | Bracket DC Motor Toner Bottle Z EXP | 33 - 12 |
| B091 2607 | Snap Ring | 47 - 20 |
| B091 2615 | Spring: Tension | 45 - 14 |
| B091 2615 | Spring: Tension | 47 - 8 |
| B091 2766 | Tension Spring: Stopper: Return | 49 - 8 |
| B091 2767 | Torsion Spring: Joint: Return | 49 - 12 |
| B091 2844 | Compression Spring: Return | 49 - 15 |
| B091 2898 | Sheet: Holder: Paper Tray | 23 - 19 |

| Part No. | Description | Page and Index No. |
|-----------|---------------------------------------|--------------------|
| B091 3911 | Compression Spring: Pressure: Front | 37 - 2 |
| B091 3912 | Compression Spring: Pressure: Rear | 37 - 7 |
| B091 4066 | Spring: Flange: Pressure Roller | 39 - 17 |
| B091 4084 | Compression Spring - 5N | 41 - 18 |
| B091 4486 | Stopper: Spring Plate | 43 - 6 |
| B091 4487 | Stopper: Spring Plate: Outer | 43 - 5 |
| B091 5820 | Compression Spring: Door Switch | 57 - 11 |
| B091 5821 | Tension Spring: Door Switch | 57 - 6 |
| B092 5815 | Lever: Door Switch: Ass'y | 57 - 12 |
| B093 1862 | Cushion Glass | 15 - 7 |
| B093 2808 | Guide Plate Paper Feed Roller 2 Ass'y | 27 - 7 |
| B093 2935 | Stopper Paper Feed Roller | 27 - 5 |
| B097 2668 | Roller: Drive | 27 - 14 |
| B121 5018 | Choke Coil | 55 - 25 |
| B121 9640 | Developer Type 28 Black | 87 - 10 |
| B121 9640 | Developer Type 28 Black | 35 - 22 |
| B132 1531 | Panel: Logo | 9 - 11 |
| B132 1572 | Decal: Power Source: Off: DOM | 85 - 10 |
| B132 1572 | Decal: Power Source: Off: DOM | 9 - 12 |
| B132 1573 | Decal - Power Source: Off | 9 - 12 |
| B132 1573 | Decal - Power Source: Off | 85 - 10 |
| B180 1704 | Bracket: Tension (MS model) | 19 - 15 |
| B180 1734 | Slide Rail: No.2 | 19 - 24 |
| B180 1817 | 1st Scanner Ass'y | 17 - 1 |
| B205 0151 | PCU Unit | 9 - 20 |
| B205 0151 | PCU Unit | 35 - * |
| B206 1971 | Supporting Plate: Cover: Imaging Unit | 21 - 3 |
| B206 1977 | Shield Glass | 21 - 1 |
| B206 2660 | Bracket: Photointerruptor | 27 - 11 |
| B206 2828 | Guide Plate: Friction Pad: Upper | 25 - 12 |
| B206 2842 | Guide Plate: Friction Pad | 27 - 16 |
| B206 4077 | Guide: Harness: Plate | 39 - 20 |
| B206 4078 | Cover: Thermostat | 41 - 17 |
| B206 5823 | Bracket: Main Switch | 55 - 19 |
| B207 1886 | Photointerruptor | 43 - 14 |

| Part No. | Description | Page and Index No. |
|-----------|--|--------------------|
| B207 4081 | Spring: Release: Drive | 41 - 23 |
| B209 1102 | Duct: Fan Motor | 57 - 4 |
| B209 1105 | Fan Motor - MM80 | 57 - 3 |
| B209 1167 | Lever: DCSOL: Ass'y | 45 - 8 |
| B209 1183 | Bracket: Connecting: Paper Feed | 47 - 2 |
| B209 1898 | Polygon Mirror Motor | 21 - 6 |
| B209 2665 | Roller: Sponge | 25 - 15 |
| B209 2665 | Roller: Sponge | 31 - 17 |
| B209 2814 | Cushion - Roller Guide 2 | 27 - 10 |
| B209 3174 | Arm: Pressure: Charge: Rear | 35 - 9 |
| B209 3175 | Electrode Plate: Roller: Charge: Ass'y | 35 - 10 |
| B209 3196 | Shield: Toner Supply: Entrance | 35 - 18 |
| B209 3215 | Drum Stay: Front | 35 - 21 |
| B209 3233 | Drum Stay: Rear | 35 - 19 |
| B209 3320 | Development Roller Assembly | 35 - 14 |
| B209 3360 | Development Roller Case | 35 - 20 |
| B209 3370 | Development Case | 35 - 17 |
| B209 3440 | Joint: Development | 35 - 12 |
| B209 3452 | Discharge Lamp | 31 - 2 |
| B209 3616 | Toner Bottle Motor | 33 - 11 |
| B209 3831 | Separation Unit: Ass'y | 37 - 23 |
| B209 4071 | Circlip Stopper | 39 - 19 |
| B209 4094 | Thermostat Housing | 41 - 2 |
| B209 4095 | Thermostat - 180C | 41 - 3 |
| B209 4475 | Exit Roller | 43 - 10 |
| B209 5156 | PCB: PCU | 45 - 20 |
| B209 5867 | Panel: Interface | 51 - 18 |
| B209 7615 | X/O MB3 | 55 - 23 |
| B209 7617 | Power Supply Cord: Stopper: TWN | 55 - 23 |
| B209 7631 | X/O MB3 | 55 - 23 |
| B223 1497 | PCB: APC1: OP-L: Sub-ass'y | 13 - 4 |
| B223 1518 | Keytop - Blank FB | 13 - 3 |
| B223 1520 | Keytop - Clear/Stop | 13 - 20 |
| B223 1521 | Keytop: 10Key | 13 - 21 |
| B223 1528 | Keytop - Copy NA | 13 - 3 |

| Part No. | Description | Page and Index No. |
|-----------|----------------------------------|--------------------|
| B223 1529 | Keytop - Doc NA | 13 - 3 |
| B223 1531 | Keytop: Printer: NA | 13 - 3 |
| B223 1532 | Keytop: Scanner: NA | 13 - 3 |
| B223 1533 | Keytop: Function: NA (D084/D085) | 13 - 3 |
| B223 1534 | Keytop: Copy: EU | 13 - 3 |
| B223 1535 | Keytop: DOC: EU | 13 - 3 |
| B223 1537 | Keytop: Printer: EU | 13 - 3 |
| B223 1538 | Keytop: Scanner: EU | 13 - 3 |
| B223 1539 | Keytop: Function: EU (D084/D085) | 13 - 3 |
| B223 1540 | Keytop: 10Key: NA | 13 - 21 |
| B223 1541 | Keytop - 10Key AA | 13 - 21 |
| B223 2714 | Positioning Cap - Short | 25 - 17 |
| B229 1688 | X/O MB1 | 19 - 22 |
| B229 1751 | Scale - Inner Back | 15 - 5 |
| B237 1367 | Scanner Cover - Rear EU | 11 - 19 |
| B237 1713 | Scale - Left B NA | 15 - 4 |
| B238 1504 | Keytop - Start | 13 - 23 |
| B238 1506 | Keytop - Try Print | 13 - 24 |
| B238 1509 | Keytop - Interrupt | 13 - 25 |
| B238 1511 | Keytop - Counter | 13 - 2 |
| B238 1519 | Lens - Front | 13 - 13 |
| B238 1534 | LCD Spacer A | 13 - 16 |
| B238 1535 | LCD Spacer B | 13 - 17 |
| B238 1540 | Sheet: Data: Display: NA | 13 - 8 |
| B238 1547 | Spacer - Keytop | 13 - 1 |
| B238 1549 | Keytop - Power Source | 13 - 28 |
| B238 1550 | Keytop - Login | 13 - 27 |
| B238 1552 | Keytop - Kantan | 13 - 26 |
| B238 1583 | Keytop - Clear Modes | 13 - 22 |
| B238 1676 | Carriage: No.1: Ass'y | 17 - 20 |
| B238 1688 | Carriage Unit No.2 | 19 - 29 |
| B238 1689 | 2nd Scanner Ass'y (CS model) | 19 - 1 |
| B238 1692 | Bracket: Scale: Left: Ass'y | 15 - 15 |
| B238 1713 | Scale - Left (B) | 15 - 4 |
| B238 1715 | Stepper Motor DC3.9V | 19 - 9 |

| Part No. | Description | Page and Index No. |
|-----------|--------------------------------------|--------------------|
| B238 1753 | Inner Cover - Sensor | 17 - 13 |
| B238 1762 | Ground Plate - Stepper Motor | 19 - 12 |
| B238 1784 | Frame: Front | 15 - 17 |
| B238 1785 | Frame: Rear (CS models) | 15 - 16 |
| B238 1786 | Scanner Drive Shaft | 19 - 17 |
| B238 1787 | Drive Were | 19 - 14 |
| B238 1788 | Stepper Motor Bracket | 19 - 10 |
| B238 1792 | Timing Belt - 157ST1.5-4.0 | 19 - 13 |
| B238 1793 | Bushing Spacer | 19 - 25 |
| B238 1795 | Exposure Glass | 15 - 2 |
| B238 1796 | Hall Plug | 19 - 26 |
| B238 1801 | Scale - Left (A) | 15 - 1 |
| B238 1806 | Idler Pulley | 19 - 7 |
| B238 1807 | Pulley | 19 - 27 |
| B238 1812 | Ground Plate - Carriage | 17 - 18 |
| B238 1814 | Pulley: Drive Were: Rear: SUB-Ass'y | 19 - 19 |
| B238 1816 | Pulley: Drive Were: Front: SUB-Ass'y | 19 - 21 |
| B238 1820 | Xenon Lamp - DIA10 | 17 - 2 |
| B238 1821 | Stabilizer | 17 - 12 |
| B238 1823 | Inner Cover - Scanner (CS model) | 17 - 8 |
| B238 1827 | Original Sensor Bracket | 17 - 10 |
| B238 1845 | Seal: Exposure Glass | 15 - 8 |
| B238 2524 | Decal - Paper Size | 85 - 11 |
| B238 2524 | Decal - Paper Size | 9 - 24 |
| B238 5344 | SBU Ground Plate | 17 - 17 |
| B238 5345 | Scanner Interface Cable | 51 - 1 |
| B238 5345 | Scanner Interface Cable | 17 - 14 |
| B238 5367 | Harness - APS | 17 - 16 |
| B238 5368 | Harness - SBU (CS model) | 53 - 2 |
| B238 5371 | Harness - STM | 19 - 8 |
| B238 5372 | X/O (200911PCIL) | 17 - 14 |
| B238 5372 | X/O (200911PCIL) | 51 - 1 |
| B259 1131 | Screw: PCU | 45 - 25 |
| B390 1759 | Shaft: Scale | 15 - 3 |
| B585 5130 | PCB: DDR1-DIMM-32B: 256MB: Ass'y | 51 - 19 |

| Part No. | Description | Page and Index No. |
|-----------|----------------------------------|--------------------|
| B585 5140 | PCB: DDR1-DIMM-32B: 512MB: Ass'y | 51 - 19 |
| B645 5010 | SD-Card: Ass'y | 87 - 3 |
| B645 6700 | O/O MGenM009 | 87 - 4 |
| B645 6705 | SD-Card: Adapter: BN-SDAA2 | 87 - 4 |
| B645 6800 | O/O MGenM009 | 87 - 11 |
| B645 6810 | O/O MGenM009 | 87 - 11 |
| B645 6820 | SD-Card: USB: Writer: BN-SDCGTY | 87 - 11 |
| D009 1466 | PCB: ALC1: OP-R: Sub-ass'y | 13 - 31 |
| D009 1480 | Harness: OP-R: 10 | 13 - 5 |
| D009 1481 | Harness: OP-R: 13 | 13 - 6 |
| D009 1482 | Harness: OP-L: 12 | 13 - 30 |
| D009 1483 | Harness: OP-L: 13 | 13 - 29 |
| D009 1484 | Harness: Inverter | 13 - 11 |
| D009 1486 | Inverter: TFT | 13 - 10 |
| D009 1487 | Cable: FFC: TFT: LCD | 13 - 19 |
| D009 1488 | Touch Panel: W-VGA: MA | 13 - 15 |
| D009 1498 | LCD: TFT: W-VGA: MV | 13 - 18 |
| D009 1501 | Cover: Upper | 13 - 35 |
| D009 1504 | Shading Plate: Touch Panel | 13 - 14 |
| D009 1551 | Cover: Upper: NA | 13 - 35 |
| D009 5320 | MB4 | 21 - 11 |
| D009 5325 | Sync.Detector Board | 21 - 11 |
| D009 5891 | Left Rail - Fax Control Unit | 51 - 15 |
| D009 5899 | Right Rail - Small | 51 - 14 |
| D009 9590 | NVRAM | 51 - 13 |
| D010 2550 | Spacer: Link | 23 - 9 |
| D010 2554 | Supporter: Left: Ass'y | 57 - 26 |
| D010 2640 | Spacer: Supporter: Right | 25 - 16 |
| D010 2771 | Tension Spring | 49 - 21 |
| D010 2777 | Lever - Paper Volume Sensor | 49 - 11 |
| D010 2780 | Rising Unit | 49 - 6 |
| D010 2822 | Friction Pad | 23 - 17 |
| D010 2850 | Paper Tray | 23 - 16 |
| D010 2853 | End Fence | 23 - 4 |
| D010 2854 | Shaft - Tray Bottom Plate | 23 - 15 |

| Part No. | Description | Page and Index No. |
|-----------|---|--------------------|
| D010 2861 | Tray Bottom Plate | 23 - 8 |
| D010 2864 | Release lever - Paper Tray | 23 - 23 |
| D010 2866 | Rear slider - Upper | 23 - 38 |
| D010 2867 | Font Slider - Upper | 23 - 1 |
| D010 2870 | Link - Paper Size Sensor | 23 - 20 |
| D010 2871 | Bracket - Paper Size Sensor | 49 - 29 |
| D010 2873 | Front Slider - Base | 23 - 2 |
| D010 2874 | Rear Slider - Base | 23 - 39 |
| D010 2875 | Spring Plate - Slider | 23 - 30 |
| D010 2884 | Front Side Fence | 23 - 3 |
| D010 2885 | Rear Side Fence | 23 - 7 |
| D010 2897 | Side Fence Seal | 23 - 37 |
| D010 2900 | End Fence Seal | 23 - 5 |
| D010 2901 | Pad: Side Fence: 5mm | 23 - 42 |
| D010 2902 | Pad: Side Fence: 8mm | 23 - 43 |
| D010 2951 | Release Shaft - Paper Tray | 23 - 24 |
| D010 2953 | Release Lever - Paper Tray | 23 - 26 |
| D010 2954 | Paper Tray Grip | 23 - 28 |
| D010 2955 | Grip Holder - Paper Tray | 23 - 25 |
| D010 2956 | Tension Spring - Paper Tray | 23 - 21 |
| D010 2958 | Paper Tray Cover | 23 - 31 |
| D010 7450 | Main Switch Decal - NA | 19 - 28 |
| D010 7450 | Main Switch Decal - NA | 27 - 20 |
| D010 7451 | Main Switch Decal - EU | 19 - 28 |
| D010 7451 | Main Switch Decal - EU | 27 - 20 |
| D025 5214 | Harness: SIO: LAMP | 17 - 15 |
| D092 5910 | SD-Card: VM: EXP: Ass'y (D084/D085) | 51 - 28 |
| D331 2680 | DC Motor: Paper Feed: Ass'y | 49 - 1 |
| D362 1140 | HDD Bracket | 51 - 25 |
| D362 5130 | O/O MB10 | 51 - 26 |
| D362 5131 | Cable - HDD Power | 51 - 22 |
| D362 5132 | Harness - HDD | 51 - 21 |
| D362 5170 | PCB - HDD | 51 - 20 |
| D376 7901 | Seal: Caution: 18Languages (D084/D085) | 9 - 25 |
| D376 7905 | Sheet: EULA: 18Languages: CHN (D084/D085) | 9 - 25 |

| Part No. | Description | Page and Index No. |
|-----------|--------------------------------------|--------------------|
| D383 5010 | SD-Card - RPCS (D017/D018/D019/D020) | 51 - 28 |
| G020 1332 | Hinge - Front Cover | 9 - 2 |
| G020 1937 | Shield Glass - Polygon Mirror Motor | 21 - 13 |
| G020 5626 | Push Switch | 49 - 31 |
| G020 5626 | Push Switch | 47 - 6 |
| G020 5626 | Push Switch | 33 - 14 |
| G020 5871 | Spacer - KGLS-12RF | 53 - 5 |
| G029 1975 | Cylindrical Lens | 21 - 12 |
| G029 1980 | Decal - LD | 85 - 3 |
| G029 1980 | Decal - LD | 21 - 2 |
| G052 4618 | Bearing 30x42x7 | 39 - 12 |
| G404 2810 | Spring Plate - 2nd Mirror | 19 - 3 |
| G570 1133 | Timing Pulley 73 | 19 - 20 |
| G570 1225 | Sensor Shielding Plate | 15 - 11 |
| G570 2832 | Guide - High Voltage Supply Cord | 19 - 6 |
| G570 2833 | Pulley Holder | 19 - 4 |
| G570 2834 | Pulley - High Voltage Supply Cord | 19 - 5 |
| G697 2677 | Spring Plate - Side Fence | 23 - 35 |

| Part No. | Description | Page and Index No. |
|-----------|-------------------------------|--------------------|
| M308 5130 | HDD: 80GB: MHZ2080BH: FUJITSU | 51 - 26 |
| M344 5130 | O/O (200906 PCIL) | 51 - 26 |

| Part No. | Description | Page and Index No. |
|-----------|----------------------------------|--------------------|
| AA00 0301 | Decal Warning (High Temperature) | 39 - 2 |
| AA00 0301 | Decal Warning (High Temperature) | 85 - 1 |
| AA00 1477 | Decal: Energy-Star | 9 - 1 |
| AA00 1477 | Decal: Energy-Star | 85 - 9 |
| AA04 3514 | Timing Belt - S3M - 420 | 45 - 12 |
| AA04 3515 | Timing Belt - S3M - 225 | 45 - 4 |
| AA04 3516 | Timing Belt - S3M - 342 | 47 - 5 |
| AA04 3516 | Timing Belt - S3M - 342 | 45 - 10 |
| AA04 3517 | Timing Belt - S3M - 315 | 47 - 11 |
| AA06 0900 | Spring | 23 - 27 |
| AA06 0979 | Tension Spring: Tension: 14720mN | 19 - 11 |
| AA06 0980 | Tension Spring: Tension: 11300mN | 19 - 16 |
| AA08 0250 | Rear Bushing - Transfer Roller | 37 - 6 |
| AA08 0252 | Bushing - M4 | 25 - 13 |
| AA08 0252 | Bushing - M4 | 27 - 15 |
| AA08 0256 | Front Bushing - Transfer Roller | 37 - 1 |
| AA08 2070 | Bushing - 8x16x7 | 31 - 20 |
| AA08 2070 | Bushing - 8x16x7 | 49 - 3 |
| AA08 2073 | Roller Busing | 41 - 19 |
| AA08 2144 | Bushing - 8x12x7 | 19 - 18 |
| AA12 0094 | Antistatic Brush | 43 - 11 |
| AA14 3219 | Stepped Screw | 39 - 3 |
| AA14 3301 | Stepped Screw - M3x4 | 45 - 19 |
| AA14 3444 | Stepped Screw | 35 - 3 |
| AA14 3592 | Screw - M4x6 | 55 - 28 |
| AA14 3848 | Stepped Screw - M3 | 51 - 23 |
| AA15 0708 | Front Discharge Sheet | 37 - 3 |
| AA15 0709 | Rear Discharge Sheet | 37 - 24 |
| AA16 1125 | Rubber Cushion | 51 - 24 |
| AA16 1143 | Cushion - Link | 27 - 18 |
| AA16 1143 | Cushion - Link | 25 - 18 |
| AB01 1199 | Gear - 31Z/54Z | 47 - 10 |
| AB01 1203 | Gear - 30Z | 45 - 6 |
| AB01 1204 | Gear - 27Z | 45 - 2 |
| AB01 1400 | Gear - 48Z | 39 - 14 |

| Part No. | Description | Page and Index No. |
|-----------|--------------------------------------|--------------------|
| AB01 1404 | Gear - 19Z | 43 - 16 |
| AB01 4050 | Gear - 44Z | 45 - 9 |
| AB01 7503 | Gear - 35Z/28Z | 45 - 3 |
| AB01 7522 | Gear - Joint Paper Feed | 47 - 3 |
| AB01 7625 | Gear Pulley - Registration | 47 - 4 |
| AB03 0626 | Timing Pulley - 20T | 47 - 12 |
| AB03 0627 | Timing Pulley - 18T | 47 - 7 |
| AB03 3092 | Timing Pulley - 27T/48T | 45 - 11 |
| AC03 0142 | 1st Mirror (MS model) | 17 - 6 |
| AC03 0162 | Mirror No.2 | 19 - 2 |
| AC03 0169 | Mirror: No.1 (CS model) | 17 - 6 |
| AD02 7018 | Roller: Charge: A3 | 35 - 4 |
| AD04 1114 | Blade: Cleaning | 35 - 2 |
| AD04 2058 | Charge Cleaner Brush Roller | 35 - 5 |
| AE01 1103 | Hot Roller: MM40: T0.4 | 39 - 21 |
| AE02 0161 | Pressure Roller: MM27 | 39 - 15 |
| AE03 0030 | Ball Bearing - 8x19x6 | 39 - 16 |
| AE04 2029 | Fusing Cleaning Roller | 41 - 20 |
| AE04 4025 | Hot Roller Stripper | 39 - 7 |
| AF02 2112 | Driven Roller | 43 - 17 |
| AF04 0566 | Tension Roller | 43 - 2 |
| AF04 0567 | Tension Roller | 43 - 1 |
| AG07 0504 | Magnet Catch: 44.1N | 9 - 13 |
| AG07 0514 | Magnet Catch | 37 - 17 |
| AH01 0009 | Rubber Pad - H5 | 57 - 13 |
| AW01 0057 | Registration Sensor | 31 - 12 |
| AW01 0133 | Original Sensor - 66mm | 17 - 5 |
| AW01 0134 | Original Sensor - 48mm | 17 - 9 |
| AW02 0141 | Photointerruptor | 49 - 2 |
| AW02 0141 | Photointerruptor | 25 - 2 |
| AW02 0141 | Photointerruptor | 27 - 2 |
| AW02 0145 | Photointerruptor: Flat | 15 - 18 |
| AW02 0146 | Photointerruptor: Flat: PICH2mm: M4 | 15 - 9 |
| AW02 0173 | Photointerruptor: Vertical Transport | 49 - 30 |
| AW02 0173 | Photointerruptor: Vertical Transport | 25 - 11 |

| Part No. | Description | Page and Index No. |
|-----------|--------------------------------------|--------------------|
| AW02 0173 | Photointerruptor: Vertical Transport | 27 - 12 |
| AW10 0053 | Thermistor - Rear | 41 - 29 |
| AX04 0220 | O/O (200911PCIL) | 49 - 1 |
| AX20 0290 | Magnetic Clutch: 0.25N M: Z38 | 47 - 14 |
| AX44 0140 | Fusing Lamp - 120V | 39 - 10 |
| AX44 0141 | Fusing Lamp - 120V | 39 - 11 |
| AX44 0142 | Fusing Lamp - 230V | 39 - 10 |
| AX44 0143 | Fusing Lamp - 230V | 39 - 11 |
| AX44 0256 | Heater: 110V: Main | 39 - 10 |
| AX44 0257 | Heater: 110V: Sub | 39 - 11 |
| AX64 0179 | Fan Motor: DC24V 2.4W | 55 - 27 |
| AZ23 0221 | Power Supply Unit - 120V | 55 - 20 |
| AZ23 0223 | Power Supply Unit - 230V | 55 - 20 |
| AZ32 0158 | Power Pack - BCTD | 53 - 6 |
| AZ50 0068 | Stabilizer: Xenon Lamp | 17 - 12 |

| Part No. | Description | Page and Index No. |
|------------|-----------------------|--------------------|
| 0313 0350N | Pan Head Screw: M3x35 | 57 - 104 |
| 0314 0120N | Screw - M4x12 | 15 - 105 |
| 0314 0300N | Pan Head Screw: M4x30 | 57 - 103 |
| 0353 0050N | Screw-M3x5 | 19 - 101 |
| 0353 0050N | Screw-M3x5 | 11 - 102 |
| 0353 0050N | Screw-M3x5 | 51 - 103 |
| 0353 0060N | Bind Screw - M3x6 | 13 - 102 |
| 0354 0060N | Screw-M4x6 | 23 - 104 |
| 0360 3006N | Screw - M3x6 | 35 - 101 |
| 0434 0082N | Tapping Screw - M4x8 | 9 - 104 |
| 0450 3008N | Tapping Screw - M3x8 | 9 - 101 |
| 0450 3008N | Tapping Screw - M3x8 | 29 - 102 |
| 0450 3008N | Tapping Screw - M3x8 | 37 - 101 |
| 0450 3008N | Tapping Screw - M3x8 | 33 - 102 |
| 0450 3010N | Tapping Screw - M3x10 | 39 - 103 |
| 0450 3010N | Tapping Screw - M3x10 | 9 - 103 |
| 0450 3010N | Tapping Screw - M3x10 | 13 - 101 |
| 0450 3010N | Tapping Screw - M3x10 | 41 - 103 |
| 0450 3010N | Tapping Screw - M3x10 | 11 - 103 |
| 0450 3020N | Tapping Screw: M3x20 | 23 - 105 |
| 0450 4008N | Tapping Screw - M4x8 | 23 - 101 |
| 0451 3006N | Tapping Screw - 3x6 | 41 - 101 |
| 0451 3006N | Tapping Screw - 3x6 | 39 - 102 |
| 0451 3006N | Tapping Screw - 3x6 | 25 - 101 |
| 0451 3006N | Tapping Screw - 3x6 | 37 - 102 |
| 0451 3006N | Tapping Screw - 3x6 | 33 - 103 |
| 0451 3006N | Tapping Screw - 3x6 | 31 - 102 |
| 0451 3006N | Tapping Screw - 3x6 | 55 - 101 |
| 0451 3006N | Tapping Screw - 3x6 | 27 - 101 |
| 0451 3006N | Tapping Screw - 3x6 | 29 - 101 |
| 0451 3006N | Tapping Screw - 3x6 | 15 - 104 |
| 0451 3006N | Tapping Screw - 3x6 | 45 - 102 |
| 0451 3006N | Tapping Screw - 3x6 | 19 - 102 |
| 0451 3006N | Tapping Screw - 3x6 | 47 - 101 |
| 0451 3006N | Tapping Screw - 3x6 | 49 - 101 |

| Part No. | Description | Page and Index No. |
|------------|----------------------------------|--------------------|
| 0451 3006N | Tapping Screw - 3x6 | 57 - 101 |
| 0451 3006N | Tapping Screw - 3x6 | 53 - 101 |
| 0451 3006N | Tapping Screw - 3x6 | 17 - 101 |
| 0451 3006N | Tapping Screw - 3x6 | 51 - 101 |
| 0451 3008N | Tapping Screw - M3x8 | 57 - 107 |
| 0451 3008N | Tapping Screw - M3x8 | 9 - 102 |
| 0451 3008N | Tapping Screw - M3x8 | 11 - 101 |
| 0451 3008N | Tapping Screw - M3x8 | 53 - 102 |
| 0451 3008N | Tapping Screw - M3x8 | 15 - 102 |
| 0451 3008N | Tapping Screw - M3x8 | 43 - 101 |
| 0451 3008N | Tapping Screw - M3x8 | 55 - 113 |
| 0451 3008N | Tapping Screw - M3x8 | 21 - 101 |
| 0451 3008N | Tapping Screw - M3x8 | 19 - 104 |
| 0451 3030N | Tapping Screw: 3x30 | 49 - 107 |
| 0451 4008N | Tapping Screw: 4x8 | 57 - 106 |
| 0452 3006N | Binding Self-tapping Screw: 3x6 | 35 - 102 |
| 0452 3008N | Tapping Screw - M3x8 | 33 - 101 |
| 0452 3008N | Tapping Screw - M3x8 | 21 - 102 |
| 0452 3010N | Binding Self-Tapping Screw: 3x10 | 31 - 101 |
| 0452 3010N | Binding Self-Tapping Screw: 3x10 | 21 - 104 |
| 0453 3006N | Tapping Screw - M3x6 | 15 - 101 |
| 0453 3006N | Tapping Screw - M3x6 | 25 - 107 |
| 0454 3006Q | Tapping Screw - M3x6 | 49 - 102 |
| 0454 3006Q | Tapping Screw - M3x6 | 43 - 102 |
| 0454 3006Q | Tapping Screw - M3x6 | 55 - 102 |
| 0454 3006Q | Tapping Screw - M3x6 | 45 - 101 |
| 0454 3006Q | Tapping Screw - M3x6 | 25 - 102 |
| 0454 3006Q | Tapping Screw - M3x6 | 47 - 102 |
| 0454 3006Q | Tapping Screw - M3x6 | 57 - 102 |
| 0454 3006Q | Tapping Screw - M3x6 | 19 - 109 |
| 0454 3006Q | Tapping Screw - M3x6 | 17 - 102 |
| 0454 3006Q | Tapping Screw - M3x6 | 51 - 102 |
| 0454 3006Q | Tapping Screw - M3x6 | 27 - 102 |
| 0454 3006Q | Tapping Screw - M3x6 | 15 - 103 |
| 0454 4006Q | Tapping Screw: 4x6 | 55 - 104 |

| Part No. | Description | Page and Index No. |
|------------|----------------------------------|--------------------|
| 0720 0030E | Retaining Ring - M3 | 41 - 104 |
| 0720 0030E | Retaining Ring - M3 | 39 - 104 |
| 0720 0040E | Retaining Ring - M4 | 49 - 106 |
| 0720 0040E | Retaining Ring - M4 | 45 - 106 |
| 0720 0040E | Retaining Ring - M4 | 27 - 104 |
| 0720 0040E | Retaining Ring - M4 | 43 - 104 |
| 0720 0040E | Retaining Ring - M4 | 25 - 104 |
| 0720 0040E | Retaining Ring - M4 | 19 - 110 |
| 0720 0060E | Retaining Ring - M6 | 39 - 105 |
| 0720 0060E | Retaining Ring - M6 | 49 - 104 |
| 0720 0060E | Retaining Ring - M6 | 31 - 104 |
| 0720 0060E | Retaining Ring - M6 | 47 - 104 |
| 0720 0060E | Retaining Ring - M6 | 23 - 103 |
| 0720 0060E | Retaining Ring - M6 | 45 - 105 |
| 0720 0080E | Retaining Ring - M8 | 23 - 102 |
| 0733 0408 | Bushing: 4x8 | 41 - 107 |
| 0802 5291 | Tapping Screw: Round Point: M3x6 | 57 - 102 |
| 0802 5299 | Tapping Screw - M3x8 | 17 - 103 |
| 0802 5299 | Tapping Screw - M3x8 | 19 - 103 |
| 0804 6123 | Hexagonal Bolt: W/Washer: M3x8 | 45 - 104 |
| 0804 6123 | Hexagonal Bolt: W/Washer: M3x8 | 55 - 103 |
| 0804 6123 | Hexagonal Bolt: W/Washer: M3x8 | 51 - 104 |
| 0804 6123 | Hexagonal Bolt: W/Washer: M3x8 | 47 - 103 |
| 0804 6123 | Hexagonal Bolt: W/Washer: M3x8 | 41 - 102 |
| 0804 6123 | Hexagonal Bolt: W/Washer: M3x8 | 39 - 101 |
| 0805 0088 | Retaining Ring - M6 | 19 - 105 |
| 0805 0089 | Retaining Ring - M4 | 45 - 107 |
| 0805 3480 | Bushing - 6mm | 27 - 103 |
| 0805 3480 | Bushing - 6mm | 25 - 103 |
| 0805 3480 | Bushing - 6mm | 43 - 103 |
| 0805 3480 | Bushing - 6mm | 31 - 105 |
| 0950 3006N | Screw: Spring Washer: M3x6 | 27 - 108 |
| 0950 4008Z | Philips Truss Screw - M4x8 | 49 - 105 |
| 0951 3008N | Screw: Polished Round: M3x8 | 45 - 103 |
| 0954 3012N | Screw - M3x12 | 41 - 105 |

| Part No. | Description | Page and Index No. |
|------------|-------------------------------------|--------------------|
| 0954 3020N | Screw: Polished Round/Spring: M3x20 | 55 - 115 |
| 1102 4201 | Connector - 2P | 65 - 101 |
| 1102 4203 | CT Header - 4P | 65 - 102 |
| 1102 4205 | CT Header - 6P | 65 - 104 |
| 1102 4206 | Connector - 7P | 65 - 105 |
| 1102 4209 | CT Header - 10P | 65 - 106 |
| 1102 4210 | Connector - 11P | 65 - 108 |
| 1102 4211 | CT Header - 12P | 65 - 109 |
| 1102 4621 | CT Header - 4P | 65 - 103 |
| 1102 4627 | Connector - 10P | 65 - 107 |
| 1102 5007 | CT Header - 14P | 65 - 110 |
| 1102 5306 | Connector - 7P | 65 - 111 |
| 1102 6260 | Relay Connector - 3P | 41 - 106 |
| 1102 6295 | Connector - 2P | 65 - 112 |
| 1102 6297 | Connector - 4P | 65 - 114 |
| 1102 6403 | Connector - 30P | 65 - 116 |
| 1102 6662 | Connector - 4P | 65 - 115 |
| 1102 6790 | Connector - 100R-LT-N1 | 81 - 101 |
| 1102 7615 | Connector - B8B-XH-A | 81 - 102 |
| 1102 8212 | Connector: TX24-50R-10ST-H1E | 81 - 103 |
| 1102 8329 | Connector - USB - UBB-4R-D14C | 81 - 104 |
| 1102 8470 | Connector - 55447-0610 | 65 - 113 |
| 1102 8476 | Connector - 55447-1210 | 65 - 117 |
| 1102 8477 | Connector - 13P | 65 - 118 |
| 1102 9336 | Connector: FPS009-2300-0 | 81 - 106 |
| 1102 9890 | Connector: 5-1605706-2 | 81 - 107 |
| 1102 9956 | Connector: UBA-4R-D14T-4D(LF)(SN) | 81 - 108 |
| 1103 3173 | Connector: FH12-36S-0.5SV(89) | 65 - 126 |
| 1103 3177 | Connector - FH12-45S-0.5SV(89) | 65 - 127 |
| 1103 3178 | Connector - FH12-50S-0.5SH(89) | 65 - 128 |
| 1103 3207 | Connector - FH12-36S-0.5SH(89) | 65 - 129 |
| 1103 3663 | Connector: 55451-1670 | 65 - 130 |
| 1103 3984 | Connector | 65 - 121 |
| 1103 3986 | Connector | 65 - 122 |
| 1103 3988 | Connector | 65 - 123 |

| Part No. | Description | Page and Index No. |
|-----------|-------------------------------|--------------------|
| 1103 3990 | Connector | 65 - 124 |
| 1103 3992 | Connector | 65 - 120 |
| 1103 3993 | Connector | 65 - 119 |
| 1103 4004 | Connector | 65 - 125 |
| 1103 4043 | Connector: 87825-1001 | 81 - 109 |
| 1103 4234 | RHM-176P-SDK11-UH1L1C(LF)(SN) | 81 - 105 |
| 1104 0764 | IC Socket - 8 PIN | 65 - 131 |
| 1104 0821 | IC Socket: 16008-B0A0020N | 81 - 147 |
| 1105 0032 | Clamp | 13 - 104 |
| 1105 0195 | PCB Stud | 17 - 107 |
| 1105 0292 | Wire Saddle | 53 - 106 |
| 1105 0292 | Wire Saddle | 55 - 106 |
| 1105 0296 | Spacer - KGLS-16RT | 55 - 107 |
| 1105 0329 | Clamp - ES-0510 | 49 - 109 |
| 1105 0415 | Clamp: Card Spacer(F2) | 23 - 106 |
| 1105 0460 | Clamp | 49 - 108 |
| 1105 0487 | Harness Clamp | 53 - 105 |
| 1105 0487 | Harness Clamp | 19 - 107 |
| 1105 0487 | Harness Clamp | 55 - 112 |
| 1105 0488 | Harness Clamp | 47 - 106 |
| 1105 0488 | Harness Clamp | 55 - 105 |
| 1105 0488 | Clamp: LWS-1211Z | 27 - 107 |
| 1105 0499 | Support Spacer - M3x29 | 53 - 103 |
| 1105 0508 | Harness Clamp - LWS-0711 | 21 - 103 |
| 1105 0511 | Harness Clamp - LWS-0306ZC | 49 - 103 |
| 1105 0511 | Harness Clamp - LWS-0306ZC | 47 - 107 |
| 1105 0511 | Harness Clamp - LWS-0306ZC | 25 - 105 |
| 1105 0511 | Harness Clamp - LWS-0306ZC | 31 - 103 |
| 1105 0511 | Harness Clamp - LWS-0306ZC | 27 - 105 |
| 1105 0511 | Harness Clamp - LWS-0306ZC | 17 - 105 |
| 1105 0511 | Harness Clamp - LWS-0306ZC | 15 - 106 |
| 1105 0516 | Clamp | 47 - 105 |
| 1105 0516 | Clamp | 53 - 104 |
| 1105 0516 | Clamp | 19 - 106 |
| 1105 0516 | Clamp | 17 - 104 |

| Part No. | Description | Page and Index No. |
|-----------|----------------------------------|--------------------|
| 1105 0522 | Edge Saddle - LES0510 | 27 - 106 |
| 1105 0522 | Edge Saddle - LES0510 | 25 - 106 |
| 1105 0621 | Clamp - SB-2712 | 19 - 108 |
| 1105 0622 | Clamp - JCC-1R | 17 - 106 |
| 1105 0687 | Clamp: FC-30 | 45 - 108 |
| 1107 0391 | Fuse - 5A, 125V | 55 - 111 |
| 1107 0629 | Fuse (Ceramic Case) - 15A - 125V | 55 - 110 |
| 1107 0652 | Fuse (Glass Case) - 10A - 125V | 55 - 109 |
| 1107 1066 | Fuse: ET-5A | 55 - 116 |
| 1107 1083 | Fuse: SST 4 | 81 - 110 |
| 1107 1099 | Fuse SST 5 | 81 - 111 |
| 1107 1166 | Fuse: HT-8A-N5 | 55 - 117 |
| 1109 0009 | IC - MINISMDC075-02 | 81 - 112 |
| 1109 0042 | Fuse: MINISMDC150F | 65 - 132 |
| 1204 2477 | Rocker Switch - AC250V 10A | 55 - 108 |
| 1204 2510 | Micro Switch | 57 - 105 |
| 1204 2756 | Dip Switch: NDI-04H-V | 65 - 133 |
| 1204 2791 | DIP Switch: DM-04-V | 81 - 113 |
| 1206 0124 | Lithium Cell: CR2032VO4H/Z | 81 - 114 |
| 1400 0381 | Transistor - 2SA1036KR | 65 - 134 |
| 1400 0702 | Transistor - DTD143EK | 65 - 135 |
| 1400 0855 | Transistor - 2SA1235A | 65 - 136 |
| 1400 1249 | Transistor: SRA2201 μ F | 65 - 137 |
| 1401 1056 | FET - 2SK2158 | 65 - 138 |
| 1401 1318 | FET - HAT2198R | 81 - 115 |
| 1401 1414 | FET: SI3433BDV-E3 | 81 - 116 |
| 1401 1415 | FET: SI3434DV-E3 | 81 - 117 |
| 1401 1448 | FET: SI3447BDV-E3 | 81 - 118 |
| 1401 1457 | FET: TPCP8102 | 81 - 119 |
| 1401 1466 | FET: SI4800BDY-E3 | 81 - 120 |
| 1401 1475 | FET: SI3867DV-E3 | 81 - 121 |
| 1402 1336 | Diode - 1SS355 | 81 - 122 |
| 1402 1337 | Diode-RB731U | 65 - 139 |
| 1402 1365 | Diode-RB751V-40 | 81 - 123 |
| 1402 1663 | Diode - ZTP12B | 65 - 140 |

| Part No. | Description | Page and Index No. |
|-----------|--------------------------------|--------------------|
| 1402 1854 | Diode: RF071M2S | 65 - 141 |
| 1402 1911 | Diode - SDS511 | 65 - 142 |
| 1402 1929 | Diode: RB160M-30 | 81 - 124 |
| 1402 1977 | Diode: SDB310Q | 65 - 143 |
| 1402 2039 | Diode: RSX301LA-30 | 81 - 125 |
| 1403 0953 | LED - SML-310MT | 65 - 144 |
| 1403 0953 | LED - SML-310MT | 81 - 126 |
| 1403 0978 | LED - SML-310DT | 81 - 127 |
| 1403 0996 | LED - SML-310VT | 65 - 145 |
| 1403 1131 | LED: SML-311UT | 81 - 128 |
| 1404 0360 | Thermistor - 103HT | 65 - 146 |
| 1407 1535 | IC - TD62308AP | 65 - 147 |
| 1407 2219 | IC - TD62003AP | 65 - 148 |
| 1407 4919 | IC - 74VHCT244 TSSOP | 81 - 129 |
| 1407 5009 | CMOS Logic: TC7SET04FU | 81 - 130 |
| 1407 5010 | IC - TC7SET08FU | 81 - 131 |
| 1407 5190 | CMOS Logic: TC7SZ08FU | 81 - 132 |
| 1407 5192 | CMOS Logic: TC7SZ04FU | 65 - 149 |
| 1407 5192 | CMOS Logic: TC7SZ04FU | 81 - 133 |
| 1407 5300 | CMOS Logic - 74LVC16244A TSSOP | 81 - 134 |
| 1407 5347 | IC - SN74LV08APW | 65 - 150 |
| 1407 5351 | IC - SN74LV14APW | 65 - 151 |
| 1407 5351 | IC - SN74LV14APW | 81 - 135 |
| 1407 5353 | IC - SN74LV244APW | 65 - 152 |
| 1407 5463 | IC - SN74LV245APW | 65 - 153 |
| 1407 5469 | IC - SN74LV07APW | 65 - 154 |
| 1407 5482 | IC - SN74LVC07APW | 81 - 136 |
| 1407 5509 | IC - SN74AHCT08PW | 65 - 155 |
| 1407 5520 | CMOS Logic: SN74LVC125APW | 81 - 137 |
| 1407 5523 | ROM - I2C SOP 3V | 81 - 138 |
| 1407 5528 | IC - SN74LVC126APW | 81 - 139 |
| 1407 5604 | CMOS Logic: SN74LVC16245ADGG | 81 - 140 |
| 1407 5633 | IC - SN74LV574APW | 65 - 156 |
| 1407 5713 | IC: SN74LV06APW | 65 - 157 |
| 1407 6145 | IC: SN74LVC373APW | 81 - 141 |

| Part No. | Description | Page and Index No. |
|-----------|-------------------------------------|--------------------|
| 1407 6166 | IC - ESOC | 65 - 158 |
| 1407 6265 | Real Time Clock: R2025S | 81 - 142 |
| 1407 6362 | EEPROM: BR24L64-W | 55 - 114 |
| 1407 6386 | CPU: RM7035C-533L-REV1.1 | 81 - 143 |
| 1407 6400 | Clock Generator - ICS960013BFLF | 81 - 144 |
| 1407 6671 | USB Controller: UPD720102GC-YEB-A | 81 - 145 |
| 1407 6723 | Custom IC: Cornet | 81 - 146 |
| 1407 6741 | LAN Controller LSI: DP83848JSQ/NOPB | 81 - 148 |
| 1407 6751 | CMOS Logic: HD74LV1GW07ACM | 81 - 149 |
| 1407 6759 | Custom IC: EIO | 65 - 159 |
| 1407 6777 | CMOS Logic: TC7SZ14FU | 65 - 162 |
| 1407 6801 | CMOS Logic: TC7PA17FU | 81 - 150 |
| 1407 6803 | CMOS Logic: TC7SZ07FU | 81 - 151 |
| 1407 6804 | CMOS Logic: TC7SZ04FU | 65 - 160 |
| 1407 6847 | Motor Control IC: STK672-600B-E | 65 - 161 |
| 1407 6853 | CMOS Logic: HD74LV1GW17ACM | 81 - 152 |
| 1407 6863 | Controller: ST19WP18FT28PVGI | 81 - 153 |
| 1407 6898 | CMOS Logic: TC7WH126FK | 81 - 154 |
| 1407 6899 | CMOS Logic: TC7WH125FK | 81 - 155 |
| 1407 6944 | USB Controller IC: ST72681/R21 | 81 - 156 |
| 1407 6951 | CMOS Logic: TC7MBL3245SFK | 81 - 157 |
| 1408 1204 | IC - TA8083P | 65 - 163 |
| 1408 1550 | IC - LM2902PW | 65 - 164 |
| 1408 1826 | IC - R3112Q421A | 65 - 165 |
| 1408 1826 | IC - R3112Q421A | 81 - 158 |
| 1408 1911 | Comparator - LM2903PW | 65 - 166 |
| 1408 2053 | IC: R3112Q291A-FA | 81 - 159 |
| 1408 2062 | IC: R3112Q221A-FA | 81 - 160 |
| 1408 2087 | IC: LTC3736EUF#TRPBF | 81 - 161 |
| 1408 2180 | IC - BD3531F | 81 - 162 |
| 1408 2247 | Series Regulator: R1114N181B-FA | 65 - 167 |
| 1408 2449 | DC/DC Converter: BD9104FVM | 81 - 163 |
| 1408 2463 | DDR Terminator - TPS51116PWPG4 | 81 - 164 |
| 1408 2484 | IC: LTC3808EDE#PBF | 81 - 165 |
| 1408 2514 | Series Regulator: UPC2933BT-AZ | 65 - 168 |

| Part No. | Description | Page and Index No. |
|-----------|---------------------------------|--------------------|
| 1503 1004 | Oscillator - 19.6608MHz | 65 - 169 |
| 1503 1138 | Crystal Oscillator - 48MHz | 81 - 166 |
| 1503 1215 | Crystal Oscillator - 17.5MHz | 65 - 170 |
| 1503 1355 | Crystal Oscillator: 25MHz | 81 - 167 |
| 1503 1362 | Crystal Oscillator: 30MHz | 81 - 168 |
| 1503 1363 | Crystal Oscillator: 12MHz | 81 - 169 |
| 1503 1379 | Crystal Oscillator: 14.31818MHz | 81 - 170 |
| 1600 1238 | Resistor - 220Ω 3W | 65 - 171 |
| 1601 7887 | Resistor Array - 10K Ω±5% 1/32W | 81 - 171 |
| 1601 7896 | Resistor Array - 56 Ω ±5% 1/32W | 81 - 172 |
| 1601 7898 | Resistor Array | 81 - 173 |
| 1601 7913 | Resistor 22 Ω ±5% 1/32W | 81 - 174 |
| 1601 7914 | Resistor Array - 47 Ω ±5% | 81 - 175 |
| 1601 7959 | Resistor | 81 - 176 |
| 1601 7981 | Resistor Array - 100K Ω±5%1/16W | 81 - 177 |
| 1604 4728 | Capacitor - 100μF±20% 16V | 65 - 172 |
| 1604 4729 | Capacitor - 47μF ±20% 16V | 65 - 173 |
| 1604 4759 | Capacitor - 10μF ±20% 50V | 65 - 174 |
| 1604 5066 | Capacitor 100μF: ±20%: 50V | 65 - 175 |
| 1604 5724 | Capacitor: 100μF: ±20%: 2V | 81 - 178 |
| 1605 1124 | Capacitor - 4.7μF -20% 10V | 81 - 179 |
| 1605 1137 | Capacitor - 470pF±10% 50V | 65 - 176 |
| 1605 1148 | Capacitor - 0.1μF 20% 50V | 65 - 177 |
| 1605 1197 | Capacitor - 6pF ±0.5pF 50V | 81 - 180 |
| 1605 1199 | Capacitor - 8pF ±0.5pF 50V | 81 - 181 |
| 1605 1200 | Capacitor - 10pF ±0.5pF 50V | 81 - 182 |
| 1605 1200 | Capacitor - 10pF ±0.5pF 50V | 65 - 178 |
| 1605 1204 | Capacitor-pF50V | 81 - 183 |
| 1605 1206 | Capacitor - 47pF ±5% 50V | 81 - 184 |
| 1605 1207 | Capacitor - 68pF ±5% 50V | 81 - 185 |
| 1605 1208 | Capacitor: 100pF: ±5%: 50V | 65 - 179 |
| 1605 1208 | Capacitor: 100pF: ±5%: 50V | 81 - 186 |
| 1605 1211 | Capacitor - 220pF±10% 50V | 81 - 187 |
| 1605 1212 | Capacitor - 470pF±10% 50V | 81 - 188 |
| 1605 1214 | Capacitor - 1000pF ±10% 50V | 81 - 189 |

| Part No. | Description | Page and Index No. |
|-----------|---------------------------------|--------------------|
| 1605 1216 | Capacitor - 2200pF±10%50V | 81 - 190 |
| 1605 1218 | Capacitor: 4700pF: ±10%: 25V | 81 - 191 |
| 1605 1221 | Capacitor - 0.1 μF20%16V | 81 - 192 |
| 1605 1240 | Capacitor - 0.01μF ±10% 25V | 81 - 193 |
| 1605 1284 | Capacitor: 1500pF: ±10%: 50V | 81 - 194 |
| 1605 1289 | Capacitor - 0.1μF±10% 10V | 65 - 180 |
| 1605 1289 | Capacitor - 0.1μF±10% 10V | 81 - 195 |
| 1605 1291 | Capacitor: 2.2μF: ±10%: 10V | 81 - 196 |
| 1605 1293 | Capacitor - 27pF±5%50V | 81 - 197 |
| 1605 1295 | Capacitor: 10μF: 20%: 10V | 81 - 198 |
| 1605 1296 | Capacitor - 330pF±10% 50V | 81 - 199 |
| 1605 1301 | Capacitor-6800pF ±10% 50V | 81 - 200 |
| 1605 1306 | Capacitor - 1μF ±10% 10V | 81 - 201 |
| 1605 1307 | Capacitor - 2.2μF 20% 11V | 81 - 202 |
| 1605 1347 | Capacitor - 1μF: 20%: 16V | 65 - 181 |
| 1605 1353 | Capacitor - 0.1μF±10% 25V | 65 - 182 |
| 1605 1358 | Capacitor - 10μF ±10% 10V | 81 - 203 |
| 1605 1376 | Capacitor - 0.033μF - ±10%: 25V | 81 - 204 |
| 1605 1406 | Capacitor - 10μF ±10% 6.3V | 81 - 205 |
| 1605 1451 | Capacitor: 0.47μF: ±10%: 6.3V | 81 - 206 |
| 1605 1452 | Capacitor - 1μF ±10% 6.3V | 81 - 207 |
| 1605 1474 | Capacitor - 47μF ±20% 6.3V | 81 - 208 |
| 1605 1475 | Resistor - 1μF ±10% 16V | 81 - 209 |
| 1605 1490 | Capacitor: 2.2μF: ±10%: 25V | 65 - 183 |
| 1605 1544 | Resistor - 330pF±5% 50V | 81 - 210 |
| 1605 1563 | Capacitor: 10μF: ±10%: 10V | 81 - 211 |
| 1605 1583 | Capacitor - 0.1μF±10%: 16V | 81 - 212 |
| 1605 1587 | Capacitor: 22μF: ±20%: 6.3V | 81 - 213 |
| 1605 1602 | Capacitor: 3.3μF: ±10%: 6.3V | 81 - 214 |
| 1605 1605 | Capacitor - 4.7μF±10% 10V | 81 - 215 |
| 1605 1607 | Capacitor: 22μF: 20%: 6.3V | 81 - 216 |
| 1605 1681 | Capacitor: 22μF: ±20%: 10V | 81 - 314 |
| 1605 1689 | Capacitor: 100μF: ±20%: 6.3V | 81 - 217 |
| 1606 2319 | Capacitor: 100μF: ±20%: 6.3V | 81 - 218 |
| 1607 1014 | EMI Filter - BLM11P600SPB | 81 - 219 |

| Part No. | Description | Page and Index No. |
|-----------|--|--------------------|
| 1607 1051 | Filter - FBMJ2125HS420 | 81 - 220 |
| 1607 1061 | Filter - BLM11P300SPB | 81 - 221 |
| 1607 1199 | Filter - BLM21PG600SN1B | 81 - 222 |
| 1607 1477 | Inductor - RLF7030-4R7M3R4 | 81 - 223 |
| 1607 1556 | Inductor: RLF7030-1R5N6R1 | 81 - 224 |
| 1607 1567 | Filter: MPZ2012S101A | 81 - 225 |
| 1607 1572 | Filter: MPZ1608S101A | 81 - 226 |
| 1607 1637 | Coil: ACM2012-900-2P | 81 - 227 |
| 1607 1827 | Inductor: RLF7030-2R2M5R4 | 81 - 228 |
| 1607 1946 | Inductor: VLF10040-2R2N7R1 | 81 - 229 |
| 1607 2053 | Ferrite Core: E04FG210810 | 13 - 103 |
| 1609 0005 | Resistor: 33 Ω : $\pm 5\%$: 1/16W | 81 - 230 |
| 1609 0006 | Resistor: 10K $\Omega \pm 5\%$: 1/16W | 81 - 231 |
| 1609 0006 | Resistor: 10K $\Omega \pm 5\%$: 1/16W | 65 - 184 |
| 1609 0007 | Resistor - 68 Ω $\pm 5\%$ 1/16W | 81 - 232 |
| 1609 0007 | Resistor - 68 Ω $\pm 5\%$ 1/16W | 65 - 185 |
| 1609 0011 | Resistor: 22 Ω : $\pm 5\%$: 1/16W | 81 - 233 |
| 1609 0012 | Resistor: 3.3K $\Omega \pm 5\%$: 1/16W | 65 - 186 |
| 1609 0015 | Resistor - 1K Ω $\pm 5\%$: 1/16W | 65 - 187 |
| 1609 0016 | Resistor: 56 Ω : $\pm 5\%$: 1/16W | 81 - 234 |
| 1609 0018 | Resistor: 2.2K OHM: $\pm 5\%$: 1/16W | 65 - 188 |
| 1609 0020 | Resistor: 10 Ω : $\pm 5\%$: 1/16W | 81 - 235 |
| 1609 0025 | Resistor - 100 Ω $\pm 5\%$ 1/16W | 65 - 189 |
| 1609 0026 | Resistor - 47 Ω $\pm 5\%$ 1/16W | 81 - 236 |
| 1609 0027 | Resistor - 100K $\Omega \pm 5\%$ 1/16W | 81 - 237 |
| 1609 0030 | Resistor Array: 220 Ω : $\pm 5\%$: 1/16W: 8Number | 65 - 190 |
| 1609 0039 | Resistor Array: 10K Ω : $\pm 5\%$: 1/16W: 4Number | 65 - 191 |
| 1609 0041 | Resistor Array: 100 Ω : $\pm 5\%$: 1/16W: 4Number | 65 - 192 |
| 1609 0042 | Resistor Array: 3.3K Ω : $\pm 5\%$: 1/16W: 4Number | 65 - 193 |
| 1609 0044 | Resistor Array: 33 $\Omega \pm 5\%$: 1/16W: 4Number | 65 - 194 |
| 1609 0048 | Resistor Array: 68 $\Omega \pm 5\%$: 1/16W: Number | 65 - 195 |
| 1609 0049 | Resistor Array: 1K $\Omega \pm 5\%$: 1/16W: 4Number | 65 - 196 |
| 1610 1900 | Resistor: 56K $\Omega \pm 0.5\%$: 1/16W 1005 | 81 - 238 |
| 1610 2045 | Resistor: 115K $\Omega \pm 0.1\%$: 1/10W: 2125 | 81 - 239 |
| 1610 2046 | Resistor: 25.5K Ω : $\pm 0.1\%$: 1/10W: 2125 | 81 - 240 |

| Part No. | Description | Page and Index No. |
|-----------|--|--------------------|
| 1610 2047 | Resistor: 30.1K Ω : $\pm 0.1\%$: 1/10W: 2125 | 81 - 241 |
| 1632 0000 | Resistor - 0 Ω 1/8W | 65 - 197 |
| 1633 0000 | Resistor - 0 Ω 1/10W | 81 - 242 |
| 1634 0000 | Resistor - 0 Ω 1/16W | 65 - 198 |
| 1634 0000 | Resistor - 0 Ω 1/16W | 81 - 243 |
| 1650 2339 | Resistor: 3.3 $\Omega \pm 5\%$: 1/4W: 3216 | 65 - 199 |
| 1650 2472 | Chip Resistor-4.7K | 65 - 200 |
| 1650 4100 | Resistor - 10 Ω $\pm 5\%$ 1/10W | 65 - 201 |
| 1650 4101 | Resistor - 100 $\Omega \pm 5\%$ 1/10W | 65 - 202 |
| 1650 4101 | Resistor - 100 $\Omega \pm 5\%$ 1/10W | 81 - 244 |
| 1650 4102 | Resistor - 1K Ω $\pm 5\%$ 1/10W | 65 - 203 |
| 1650 4103 | Resistor - 10K Ω $\pm 5\%$ 1/10W | 65 - 204 |
| 1650 4105 | Resistor - 1M Ω $\pm 5\%$ 1/10W | 65 - 205 |
| 1650 4203 | Resistor - 20K Ω $\pm 5\%$ 1/10W | 65 - 206 |
| 1650 4220 | Chip Resistor - 22 Ω $\pm 5\%$ 1/10W | 65 - 207 |
| 1650 4221 | Resistor - 220 $\Omega \pm 5\%$ 1/10W | 65 - 208 |
| 1650 4222 | Resistor - 2.2K $\Omega \pm 5\%$ 1/10W | 65 - 209 |
| 1650 4223 | Resistor - 22K $\Omega \pm 5\%$ 1/10W | 65 - 210 |
| 1650 4271 | Resistor - 270 $\Omega \pm 5\%$ 1/10W | 65 - 211 |
| 1650 4330 | Chip Resistor - 33 Ω $\pm 5\%$ 1/10W | 65 - 212 |
| 1650 4332 | Resistor - 3.3K $\Omega \pm 5\%$ 1/10W | 65 - 213 |
| 1650 4392 | Chip Resistor - 3.9K $\Omega \pm 5\%$ 1/10W | 65 - 214 |
| 1650 4470 | Resistor - 47 $\Omega \pm 5\%$ 1/10W | 81 - 245 |
| 1650 4472 | Resistor - 4.7K $\Omega \pm 5\%$ 1/10W | 65 - 215 |
| 1650 4472 | Resistor - 4.7K $\Omega \pm 5\%$ 1/10W | 81 - 246 |
| 1650 4560 | Chip Resistor - 56 Ω $\pm 5\%$ 1/10W | 65 - 216 |
| 1650 4680 | Resistor - 68 $\Omega \pm 5\%$ 1/10W | 65 - 217 |
| 1650 5101 | Chip Resistor - 100 $\Omega \pm 5\%$ 1/16W | 81 - 247 |
| 1650 5102 | Chip Resistor - 1K $\Omega \pm 5\%$ 1/16W | 81 - 248 |
| 1650 5103 | Chip Resistor - 10K $\Omega \pm 5\%$ 1/16W | 81 - 249 |
| 1650 5104 | Chip Resistor - 100K $\Omega \pm 5\%$ 1/16W | 81 - 250 |
| 1650 5109 | Chip Resistor 1 Ω $\pm 5\%$ 1/16W | 81 - 251 |
| 1650 5122 | Chip Resistor - 1.2K $\Omega \pm 5\%$ 1/16W | 81 - 252 |
| 1650 5152 | Chip Resistor: 1.5K $\Omega \pm 5\%$: 1/16W | 81 - 253 |
| 1650 5203 | Resistor - 20K Ω $\pm 5\%$ 1/16W | 81 - 254 |

| Part No. | Description | Page and Index No. |
|-----------|-----------------------------------|--------------------|
| 1650 5220 | Resistor - 22Ω ±5% 1/16W | 81 - 255 |
| 1650 5221 | Chip Resistor - 220Ω±5%1/16W | 81 - 256 |
| 1650 5222 | Resistor - 2.2KΩ±5% 1/16W | 81 - 257 |
| 1650 5272 | Chip Resistor: 2.7KΩ±5%: 1/16W | 81 - 258 |
| 1650 5330 | Chip Resistor - 33Ω±5%1/16W | 81 - 259 |
| 1650 5470 | Chip Resistor 47Ω ±5% 1/16W | 81 - 260 |
| 1650 5472 | Chip Resistor: 4.7KΩ±5%: 1/16W | 81 - 261 |
| 1650 5560 | Chip Resistor 56Ω ±5% 1/16W | 81 - 262 |
| 1650 5621 | Chip Resistor 620Ω ±5% 1/16W | 81 - 263 |
| 1650 5683 | Chip Resistor 68KΩ ±5% 1/16W | 81 - 264 |
| 1650 5822 | Chip Resistor: 8.2KΩ±5%: 1/16W | 81 - 265 |
| 1654 1002 | Resistor - 10KΩ±5%1/10W | 81 - 266 |
| 1654 1003 | Resistor - 100KΩ±1%1/10W | 65 - 218 |
| 1654 1004 | Chip Resistor - 1MΩ ±1% 1/10W | 65 - 219 |
| 1654 1004 | Chip Resistor - 1MΩ ±1% 1/10W | 81 - 267 |
| 1654 1009 | Resistor - 10Ω±1% 1/10W | 81 - 268 |
| 1654 1501 | Resistor - 1.5K Ω±1% 1/10W 1608 | 65 - 220 |
| 1654 1502 | Resistor - 15KΩ±1% 1/10W | 81 - 269 |
| 1654 1509 | Chip Resistor: 15Ω: ±1%: 1/10W | 81 - 270 |
| 1654 1542 | Resistor - 15.4K Ω ±1% 1/10W 1608 | 65 - 221 |
| 1654 1809 | Resistor: 18 Ω: ±1%: 1/10W: 1608 | 81 - 318 |
| 1654 2002 | Resistor - 20KΩ±1%1/10W | 65 - 222 |
| 1654 2200 | Resistor: 220Ω: ±1%: 1/10W: 1608 | 81 - 271 |
| 1654 2209 | Resistor - 22Ω±1% 1/10W | 81 - 315 |
| 1654 2401 | Resistor - 2.4KΩ±1% 1/10W | 65 - 223 |
| 1654 3002 | Resistor - 30KΩ±1%1/10W | 81 - 272 |
| 1654 3090 | Resistor: 309 Ω±1%: 1/10W: 1608 | 65 - 224 |
| 1654 3309 | Resistor - 33Ω±1% 1/10W | 81 - 316 |
| 1654 3901 | Resistor - 3.9KΩ±1% 1/10W | 65 - 226 |
| 1654 5231 | Resistor - 5.23KΩ±1%1/10W | 65 - 227 |
| 1654 5600 | Resistor - 560Ω±1% 1/10W | 65 - 225 |
| 1654 6800 | Resistor - 680 Ω±1% 1/10W | 81 - 273 |
| 1655 0000 | Chip Resistor - 0Ω±0%1/16W | 81 - 274 |
| 1655 1000 | Chip Resistor: 100Ω: ±1%: 1/16W | 81 - 275 |
| 1655 1001 | Chip Resistor - 1KΩ ±1% 1/16W | 81 - 276 |

| Part No. | Description | Page and Index No. |
|-----------|---------------------------------------|--------------------|
| 1655 1002 | Chip Resistor - 10KΩ±1%1/16W | 81 - 277 |
| 1655 1003 | Chip Resistor - 100KΩ±1%1/16W | 81 - 278 |
| 1655 1009 | Resistor - 10Ω ±1% 1/16W | 81 - 279 |
| 1655 1109 | Resistor: 11 Ω: ±1%: 1/16W: 1005 | 81 - 280 |
| 1655 1132 | Resistor: 11.3K Ω: ±1%: 1/16W: 1005 | 81 - 281 |
| 1655 1200 | Resistor - 120 Ω±1% 1/16W | 81 - 282 |
| 1655 1242 | Resistor: 12.4K Ω: ±1%: 1/16W: 1005 | 81 - 283 |
| 1655 1501 | Chip Resistor 1.5KΩ±1% 1/16W | 81 - 284 |
| 1655 1502 | Resistor - 15KΩ ±1% 1/16W | 81 - 285 |
| 1655 1601 | Resistor: 1.6K Ω±1%: 1/16W: 1005 | 81 - 286 |
| 1655 1651 | Resistor: 1.65K Ω: ±1%: 1/16W: 1005 | 81 - 287 |
| 1655 2200 | Resistor - 220Ω ±1% 1/16W | 81 - 288 |
| 1655 2201 | Resistor: 2.2K Ω±1%: 1/16W: 1005 | 81 - 289 |
| 1655 2209 | Resistor - 22Ω ±1% 1/16W | 81 - 290 |
| 1655 2552 | Resistor: 25.5K Ω: ±1%: 1/16W: 1005 | 81 - 291 |
| 1655 3012 | Resistor: 30.1K Ω: ±1%: 1/16W: 1005 | 81 - 292 |
| 1655 3309 | Resistor - 33Ω ±1% 1/16W | 81 - 293 |
| 1655 3909 | Resistor 39Ω ±1% 1/16W | 81 - 294 |
| 1655 4700 | Resistor - 470Ω ±1% 1/16W | 81 - 295 |
| 1655 4701 | Chip Resistor - 4.7KΩ±1%1/16W | 81 - 296 |
| 1655 4702 | Chip Resistor: 47KΩ: ±1%: 1/16W: 1005 | 81 - 297 |
| 1655 4709 | Resistor - 47Ω ±1% 1/16W | 81 - 298 |
| 1655 4871 | Resistor: 4.87K Ω: ±1%: 1/16W: 1005 | 81 - 299 |
| 1655 4999 | Resistor - 49.9Ω±1% 1/16W | 81 - 300 |
| 1655 5102 | Resistor: 51K Ω±1%: 1/16W: 1005 | 81 - 301 |
| 1655 5103 | Resistor: 510K Ω±1%: 1/16W: 1005 | 81 - 302 |
| 1655 5600 | Resistor - 560Ω ±1% 1/16W | 81 - 303 |
| 1655 5601 | Resistor - 5.6KΩ±1% 1/16W | 81 - 304 |
| 1655 5609 | Resistor - 56Ω ±1% 1/16W | 81 - 305 |
| 1655 6809 | Chip Resistor - 68Ω±1%1/16W | 81 - 306 |
| 1655 9101 | Resistor - 9.1K Ω±1% 1/16W | 81 - 307 |
| 1660 2101 | Capacitor - 100pF - ±10% - 50V | 81 - 308 |
| 1660 2101 | Capacitor - 100pF - ±10% - 50V | 65 - 228 |
| 1660 2120 | Capacitor - 12 pF±5% 50V | 65 - 229 |
| 1660 2150 | Capacitor - 15pF ±5% 50V | 65 - 230 |

| Part No. | Description | Page and Index No. |
|-----------|-------------------------------------|--------------------|
| 1660 2470 | Capacitor - 47pF ±5% 50V | 65 - 231 |
| 1660 2471 | Capacitor - 470pF - ±5% - 50V | 65 - 232 |
| 1660 2471 | Capacitor - 470pF - ±5% - 50V | 81 - 309 |
| 1660 4102 | Capacitor - 1000pF ±10% 50V | 65 - 233 |
| 1660 4103 | Capacitor - 10000pF - ±10% - 50V | 65 - 234 |
| 1660 4103 | Capacitor - 10000pF - ±10% - 50V | 81 - 310 |
| 1660 4472 | Capacitor - 4700pF±10% 50V | 65 - 235 |
| 1660 8104 | Capacitor - 0.1µF 20% 25V | 65 - 236 |
| 1660 8104 | Capacitor - 0.1µF 20% 25V | 81 - 311 |
| 1902 0069 | SRAM - 4mx16 3.3V G1 | 65 - 237 |
| 1906 0101 | Flash Memory: S29GL032A90TFIR40 | 65 - 238 |
| 1906 0117 | Flash Memory: S29GL032A90TFIR20 | 81 - 312 |
| 1906 0120 | NAND Flash: 1G: x8: 30NS: 3.3V: 2KB | 81 - 317 |
| 1907 0077 | DDR512M: 8Mx16x4: 333MHZ: CL2.5G3 | 81 - 313 |

| Part No. | Description | Page and Index No. |
|-----------|------------------------|--------------------|
| 5203 9501 | Grease 501 | 87 - 9 |
| 5442 1924 | Exposure Glass Cushion | 15 - 7 |
| 5447 2681 | Snap Ring | 29 - 20 |
| 5447 2681 | Snap Ring | 31 - 5 |
| 5447 2681 | Snap Ring | 37 - 11 |

Free Manuals Download Website

<http://myh66.com>

<http://usermanuals.us>

<http://www.somanuals.com>

<http://www.4manuals.cc>

<http://www.manual-lib.com>

<http://www.404manual.com>

<http://www.luxmanual.com>

<http://aubethermostatmanual.com>

Golf course search by state

<http://golfingnear.com>

Email search by domain

<http://emailbydomain.com>

Auto manuals search

<http://auto.somanuals.com>

TV manuals search

<http://tv.somanuals.com>