



RICOH UNIVERSITY

Learning ♦ Knowledge ♦ Performance



G147
PARTS CATALOG

002814MIU

Gestetner **LANIER RICOH SAVIN**



G147
PARTS CATALOG

Gestetner
LANIER
RICOH
SAVIN



RICOH UNIVERSITY

Learning ♦ Knowledge ♦ Performance

G147 PARTS CATALOG

002814MIU

Gestetner **LANIER RICOH SAVIN**

It is the reader's responsibility when discussing the information contained within this document to maintain a level of confidentiality that is in the best interest of Ricoh Corporation and its member companies.

**NO PART OF THIS DOCUMENT MAY BE REPRODUCED IN ANY
FASHION AND DISTRIBUTED WITHOUT THE PRIOR
PERMISSION OF RICOH CORPORATION.**

All product names, domain names or product illustrations, including desktop images, used in this document are trademarks, registered trademarks or the property of their respective companies.

They are used throughout this book in an informational or editorial fashion only and for the benefit of such companies. No such use, or the use of any trade name, or web site is intended to convey endorsement or other affiliation with Ricoh products.

© 2006 RICOH Corporation. All rights reserved.

LEGEND

PRODUCT CODE	COMPANY			
	GESTETNER	LANIER	RICOH	SAVIN
G147	P7245	LP145n	Aficio SP 8100 DN	MLP145
B377	Punch Kit Type 1045			
B538	Bridge Unit Type 2045			
B543	Large Capacity Tray RT45			
G813	IEEE 802.11b Interface Unit Type H			
G838	Finisher SR3040			
G839	Paper Feed Unit PB3020			
G841	Printer HDD Type 8100			

DOCUMENTATION HISTORY

REV. NO.	DATE	COMMENTS
*	09/2006	Original Printing

G147

TABLE OF CONTENTS

G147 PARTS LOCATION AND LIST

1.EXTERIOR 1 (G147).....	2
2.EXTERIOR 2 (G147).....	4
3.LASER UNIT (G147).....	6
4.BY-PASS FEED SECTION 1 (G147).....	8
5.BY-PASS FEED SECTION 2 (G147).....	10
6.PAPER REGISTRATION 1 (G147).....	12
7.PAPER REGISTRATION 2 (G147).....	14
8.PAPER TRAY UNIT (G147).....	16
9.TONER HOPPER UNIT (G147).....	18
10.PCU UNIT 1 (G147).....	20
11.PCU UNIT 2 (G147).....	22
12.TRANSFER UNIT 1 (G147).....	24
13.TRANSFER UNIT 2 (G147).....	26
14.DEVELOPMENT UNIT (G147).....	28
15.FUSING UNIT (G147).....	30
16.PAPER SEPARATION 1 (G147).....	32
17.PAPER SEPARATION 2 (G147).....	34
18.DUPLEX UNIT 1 (G147).....	36
19.DUPLEX UNIT 2 (G147).....	38
20.DUPLEX UNIT 3 (G147).....	40
21.DRIVE SECTION 1 (G147).....	42
22.DRIVE SECTION 2 (G147).....	44
23.DRIVE SECTION 3 (G147).....	46
24.ELECTRICAL SECTION 1 (G147).....	48
25.ELECTRICAL SECTION 2 (G147).....	50
26.FRAME SECTION 1 (G147).....	52
27.FRAME SECTION 2 (G147).....	54
28.EXPANSION BOX/HDD (G147/G334).....	56
29.IOB BOARD (G147).....	58
30.BICU BOARD (G147).....	66
31.CONTROLLER BOARD (G147).....	74
32.DECAL AND DOCUMENT (G147).....	90
33.SPECIAL TOOLS (G147).....	94

G147 PARTS INDEX

PARTS INDEX.....	2
------------------	---

PUNCH KIT TYPE 1045 B377 PARTS LOCATION AND LIST

1.Punch Kit Type1045 (B377).....	2
----------------------------------	---

PUNCH KIT TYPE 1045 B377 PARTS INDEX

PARTS INDEX.....	2
------------------	---

BRIDGE UNIT TYPE 2045 B538 PARTS LOCATION AND LIST

1.BRIDGE UNIT 1 (B538).....	2
2.BRIDGE UNIT 2 (B538).....	4

BRIDGE UNIT TYPE 2045 B538 PARTS INDEX

PARTS INDEX.....	2
------------------	---

LARGE CAPACITY TRAY RT45 B543 PARTS LOCATION AND LIST

1.EXTERIOR (B543)	2
2.PAPER REGISTRATION (B543)	4
3.PAPER TRAY (B543).....	6
4.FRAME SECTION (B543).....	8
5.DRIVE AND ELECTRICAL SECTION (B543)	10

LARGE CAPACITY TRAY RT45 B543 PARTS INDEX PARTS INDEX

2

IEEE 802.11B INTERFACE UNIT TYPE H G813 PARTS LOCATION AND LIST

1.IEEE802.11b (G813-04/45).....	2
---------------------------------	---

IEEE 802.11B INTERFACE UNIT TYPE H G813 PARTS INDEX

PARTS INDEX	2
--------------------------	----------

FINISHER SR3040 G838 PARTS LOCATION AND LIST LOCATION OF UNIT

3

1.EXTERIOR 1 (G838).....	6
2.EXTERIOR 2 (G838).....	8
3.PUNCH FRAME (G838).....	10
4.PAPER TRANSFER 1 (G838)	12
5.PAPER TRANSFER 2 (G838)	14
6.PAPER TRANSFER 3 (G838)	16
7.STAPLE TRAY 1 (G838).....	18
8.STAPLE TRAY 2 (G838).....	20
9.STAPLE UNIT (G838).....	22
10.UPPER PAPER EXIT 1 (G838)	24
11.UPPER PAPER EXIT 2 (G838)	26
12.UPPER PAPER EXIT 3 (G838)	28

13.LOWER PAPER EXIT (G838).....	30
14.SHIFT DRIVE 1 (G838).....	32
15.SHIFT DRIVE 2 (G838).....	34
16.DRIVE SECTION (G838)	36
17.ELECTRICAL SECTION (G838).....	38
18.DECAL AND DOCUMENT (G838).....	40

FINISHER SR3040 G838 PARTS INDEX

PARTS INDEX	2
--------------------------	----------

PAPER FEED UNIT PB3020 G839 PARTS LOCATION AND LIST

1.EXTERIOR (G839).....	2
2.PAPER TRAY (G839)	4
3.PAPER REGISTRATION (G839).....	6
4.DRIVE SECTION (G839)	8
5.DRIVE AND ELECTRICAL SECTION (G839)	10

PAPER FEED UNIT PB3020 G839 PARTS INDEX

PARTS INDEX	2
--------------------------	----------

PRINTER HDD TYPE 8100 G841 PARTS LOCATION AND LIST

1.HDD Unit (G841)	2
-------------------------	---

PRINTER HDD TYPE 8100 G841 PARTS INDEX

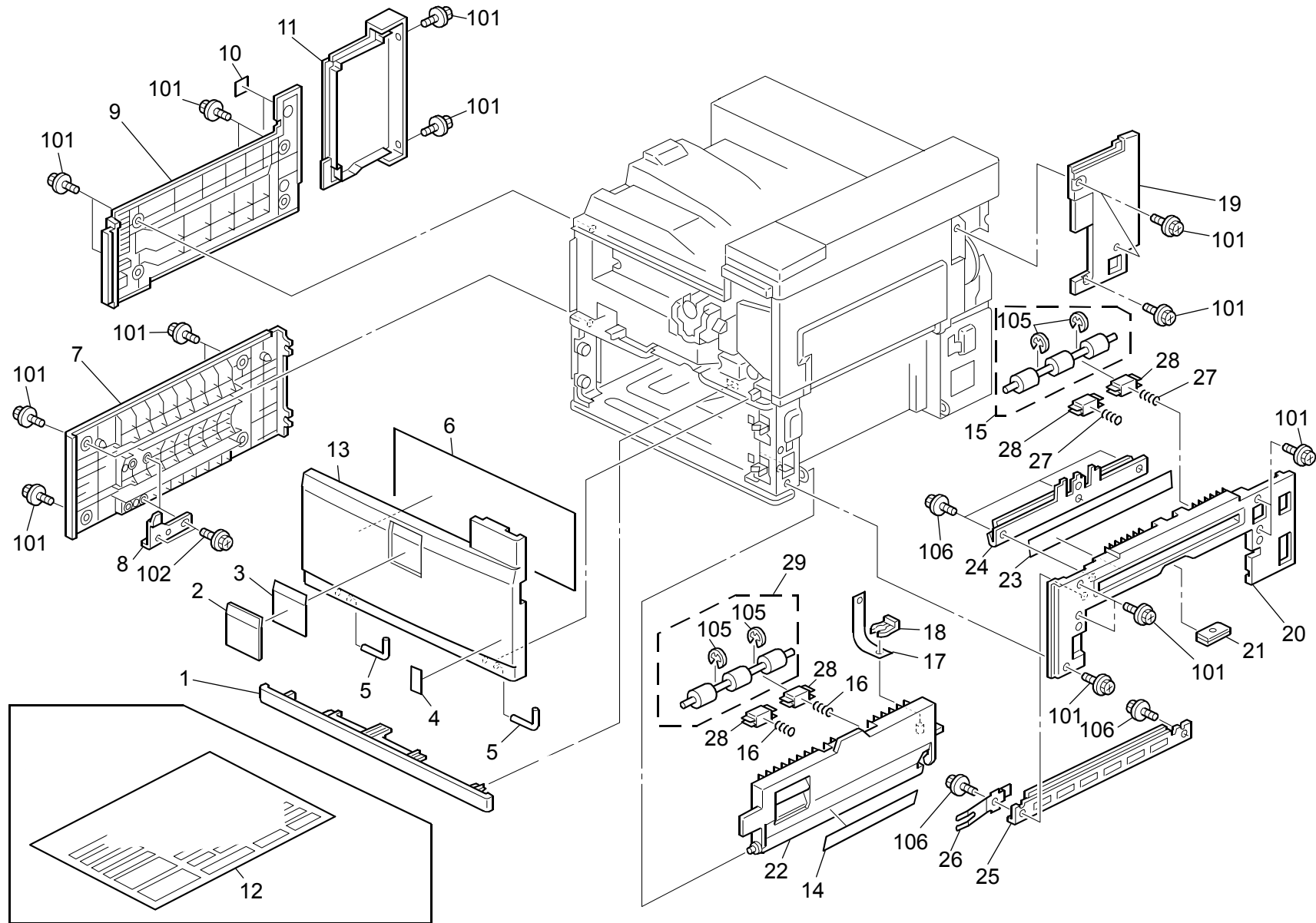
PARTS INDEX	2
--------------------------	----------

G147

PARTS LOCATION AND LIST

This section instructs you as to the numbers and names of parts on this machine

1.EXTERIOR 1 (G147)

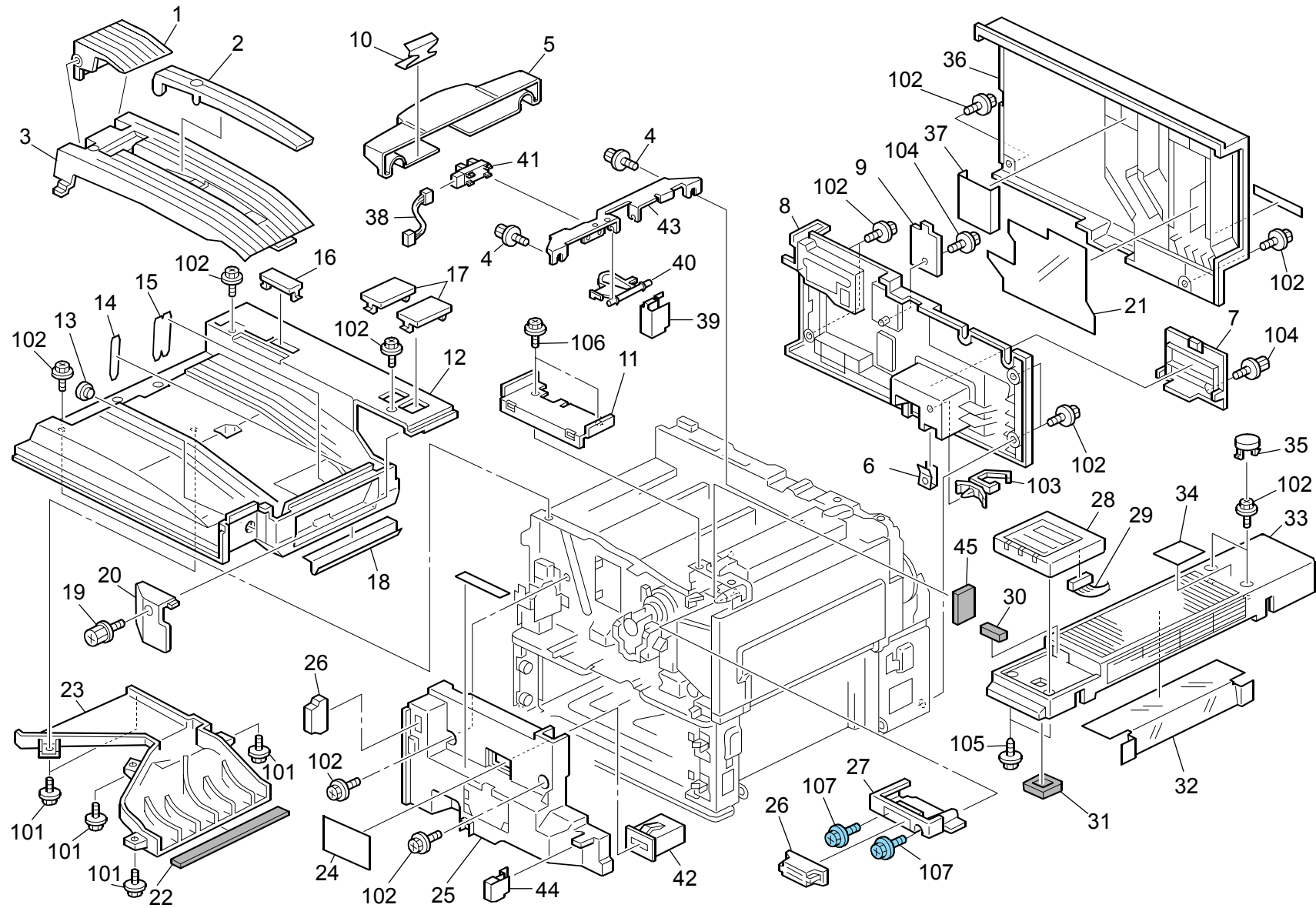


1.EXTERIOR 1 (G147)

Index No.	Part No.	Description	Q'ty Per Assembly
1	B077 1264	Cover:Front Upper:Paper Feed Sub-un	1
2	B132 1531	Panel:Logo	1
3	G147 6431	Sheet:Emblem:RIC:EXP	1
3	G147 6432	Sheet:Emblem:SVN	1
3	G147 6433	Sheet:Emblem:GES:NA	1
3	G147 6434	Sheet:Emblem:GES:EU	1
3	G147 6435	Sheet:Emblem:NSA	1
3	G147 6436	Sheet:Emblem:REX	1
4	G035 1382	Decal - Postscript	1
4	G056 2381	Decal - Energy Star/Postscript	1
5	G020 1332	Hinge - Front Cover	2
6	B198 6405	Sheet:Operation Instructions	1
7	B077 1285	Cover:Left:Paper Feed Sub-unit	1
7	B077 6324	Cover:Left:EU	1
8	B077 1286	Stopper:Left	1
9	B077 6302	Cover:Left Front:NA	1
9	B077 6305	Cover:Left Front:EU	1
10	G147 1383	Decal	1
11	B077 1283	Cover:Left Rear	1
11	B077 6325	Cover:Left Rear:EU	1
12	B082 6400	Decal:Size Indication	1
13	B213 1261	Cover:Front	1
13	B198 6316	Cover:Front:EU	1
14	AA00 0204	Decal - Right Lower Cover	1
15	B154 2862	Roller:Driven:Ass'y	2
16	AA06 3564	Tension Spring	2
17	A232 2863	Stopper Band	1
18	5206 2686	Snap Ring	9
19	B082 1272	Cover:Right Rear:Duplex	1
19	B082 6319	Cover:Right Rear:Duplex:EU	1
20	B077 2857	Cover:Vertical Transport	1
20	B077 2861	Cover:Vertical Transport:Duplex:EU	1
21	AG07 0514	Magnet Catch	1
22	B077 2876	Cover:Vertical Transport:Lower	1
23	A232 2860	Entrance Seal	1

Index No.	Part No.	Description	Q'ty Per Assembly
24	B077 2858	Supporting Plate:Upper	1
25	B077 2859	Supporting Plate:Lower	1
26	A232 5838	Spring Plate - BICU	1
27	AA06 3662	Compression Spring	2
28	AA08 0275	Bushing:Pressure:Mm4	4
101	0451 3008N	Tapping Screw - M3x8	
102	0450 3012N	Tapping Screw:3x12	
103	0451 3006N	Tapping Screw - 3x6	
104	0720 0060E	Retaining Ring - M6	
105	0720 0030E	Retaining Ring - M3	
106	0450 3008N	Tapping Screw - M3x8	

2.EXTERIOR 2 (G147)



2.EXTERIOR 2 (G147)

Index No.	Part No.	Description	Q'ty Per Assembly
1	B077 4497	End Fence:Copy Tray:C3	1
2	B077 4436	Guide:Copy Tray:Auxiliary	1
3	B077 4435	Guide:Copy Tray	1
4	G147 4231	Flanged Hexagonal Head Bolt:M3x8	2
5	B080 4492	Cover:Surface Of Paper Sensor	1
6	A232 1284	Spring Holder	1
7	B077 1298	Cover:Rear:Paper Feed Sub-unit:DOM	1
7	B077 6330	Cover:Rear:Paper Feed Sub-unit:EU	1
8	B082 1296	Cover:Rear:Paper Feed Sub-unit	1
8	B082 6332	Cover:Rear:EU	1
9	B077 6308	Cover:CSS:EXP	1
10	G034 4497	Holder - Sensor Harness	1
11	G034 1413	Bracket - Operation Sub Unit	1
12	G147 1250	Cover:Upper	1
12	G147 6314	COVER:UPPER:P4:EU	1
13	A232 1257	Cap - Upper Cover	1
14	A232 4499	Copy Tray Mylar	2
15	B004 4440	Middle Guide - Paper Exit	1
16	G147 1258	Cap:IC Card	1
17	B077 1253	Cap:34x55	2
18	AA15 0685	Seal - 215x10	1
19	G034 2993	Flanged Hexagonal Head Bolt - M3x6	1
20	B077 1252	Cover:Upper Right:Small	1
20	B077 6312	Cover:Upper Right:Small:EU	1
21	G065 1173	Sheet - Duct	1
22	AA15 3390	Sponge - 202x3.5x4	1
23	A232 1252	Duct - Upper Cover	1
24	A232 1381	Decal - Total Counter	1
25	A284 1376	Inner Cover-left	1
26	AG07 1012	Magnet Catch:Ass'y	1
27	G147 1372	Inner Cover:Upper	1
28	G147 1503	Operation Panel:NA	1
29	G147 1540	Harness:Operation Panel	1
30	G065 1583	Seal - Top Cover - Harness	1
31	G065 1582	Seal - Top Cover	1

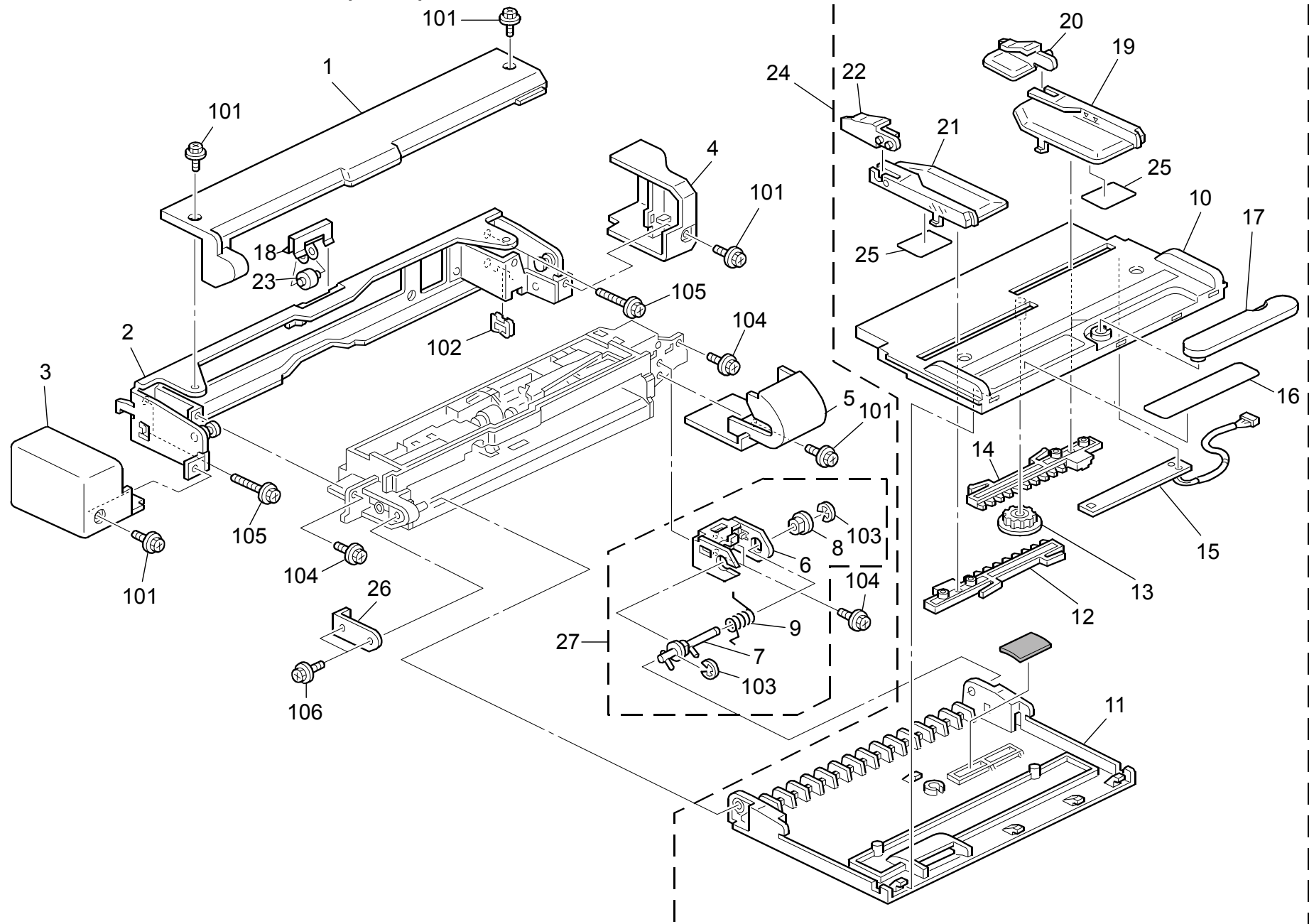
Index No.	Part No.	Description	Q'ty Per Assembly
32	G065 1581	Sheet - Top Cover	1
33	G147 1504	Cover:Fusing:Upper	1
33	G147 6324	Cover:Fusing:Upper:EU	1
34	G147 1384	Decal:Paper Jam	1
35	G133 1269	Cap:Dia17	2
36	B077 1291	Cover:Rear	1
36	B077 6328	Cover:Rear:EU	1
37	G065 1174	Sheet - Duct - Upper	1
38	B213 5410	Harness - Sensor	1
39	B007 4497	Bracket:Plate:Feeler	1
40	A235 4496	Sensor Actuator	1
41	AW02 0160	Paper Feed Sensor	1
42	AX31 0046	Total Counter:7fig:24V	1
43	B080 4493	Bracket:Surface Of Paper Sensor	1
44	B004 1325	Cover - Shield Glass	1
45	B082 1379	Seal:Side Plate:Front:Switch	1
101	0450 3006N	Tapping Screw - M3x6	
102	0451 3008N	Tapping Screw - M3x8	
103	1105 0487	Harness Clamp	
104	0450 3008N	Tapping Screw - M3x8	
105	0450 4010N	Tapping Screw:M4x10	
106	0451 3006N	Tapping Screw - 3x6	
107	0454 3008Q	Tapping Screw:3x8	

3.LASER UNIT (G147)

Index No.	Part No.	Description	Q'ty Per Assembly
1	B213 1870	Imaging Unit	1
2	A284 1904	Cover - Optical Housing	1
3	B213 5455	Harness:Imaging Unit	1
4	A232 1900	Housing - Laser Unit	1
5	B213 5320	PCB:Sync Detector:Sharp	1
6	G029 1980	Decal - LD	1
7	B077 1904	Cap:Cover:Optical Housing	1
8	B077 1907	Supporting Plate:Cover:Imaging Unit	1
9	AC01 5025	Shield Glass	1
10	B213 5445	Harness:Laser Diode Control	1
11	B213 1891	LD Unit	1
12	AX06 0303	Polygon Scanner Motor	1
13	B002 1898	Heat Sinker:Polygon Scanner:M:Ass'y	1
14	A232 1920	Seal - Heatsink	1
15	A232 1927	Cylindrical Lens Holder	1
16	G020 1966	Cylindrical Lens	1
17	AC01 5024	Shield Glass - Polygon Motor	1
18	A232 1926	Mirror Holder	2
19	A232 1925	Middle Mirror Holder	1
20	AC03 0115	Mirror	1
21	A232 1923	Front Holder - BTL	1
22	A232 1924	Rear Holder - BTL	1
23	G020 1969	BTL Lens	1
24	A232 1921	Front Holder - F Theta Mirror	1
25	A232 1922	Rear Holder - F Theta Mirror	1
26	G020 1968	F Theta Mirror	1
27	GC03 0020	Sync. Detector Mirror	1
28	A232 1928	Holder - Sync. Detector Mirror	1

Index No.	Part No.	Description	Q'ty Per Assembly
101	0450 3008N	Tapping Screw - M3x8	
102	0951 3008N	Screw:Polished Roud:M3X8	
103	0450 3010N	Tapping Screw - M3x10	

4. BY-PASS FEED SECTION 1 (G147)

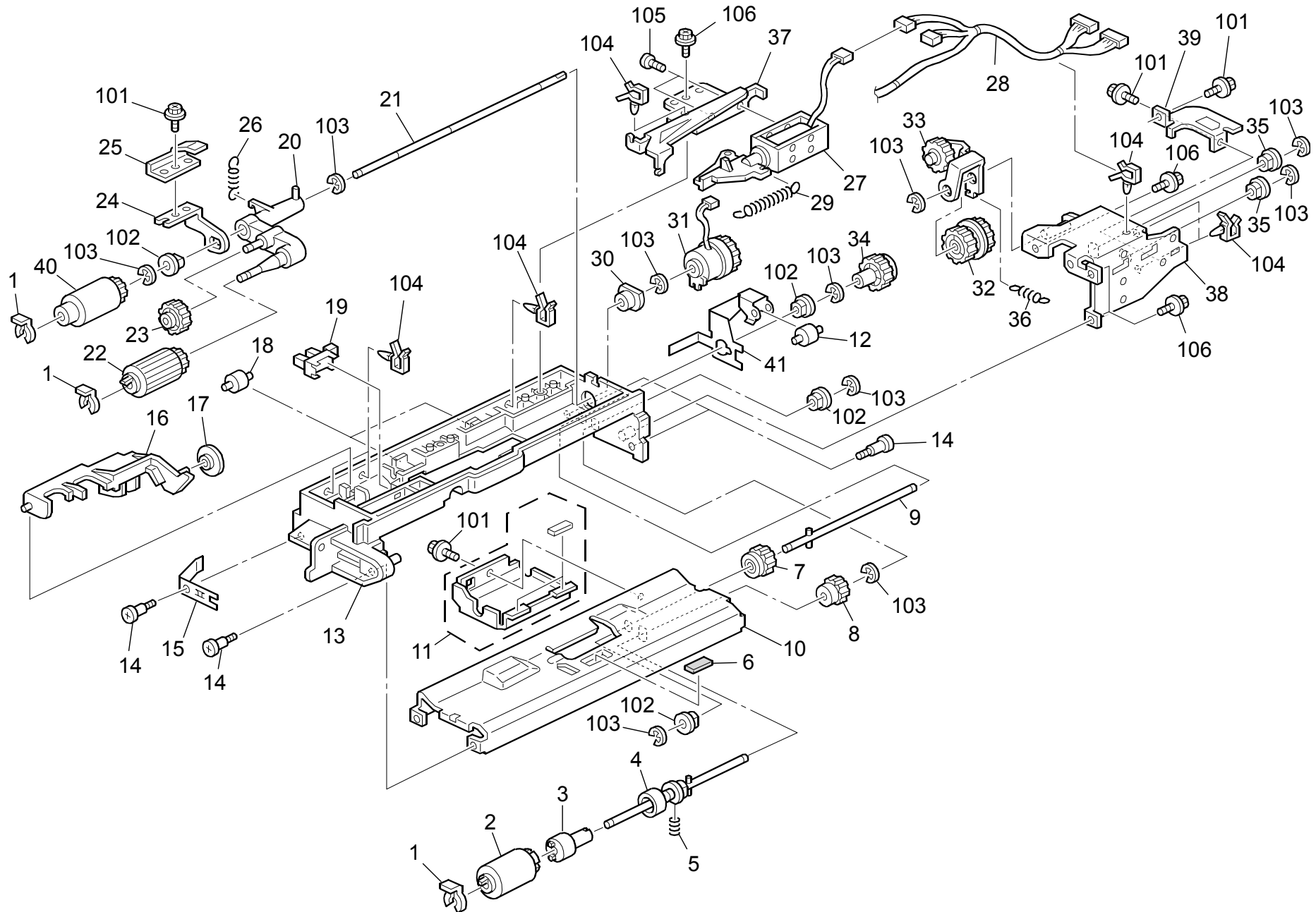


4.BY-PASS FEED SECTION 1 (G147)

Index No.	Part No.	Description	Q'ty Per Assembly
1	B077 6106	Cover:Holder:Middle	1
2	B082 6095	Frame:Holder:Ass'y	1
3	B077 6109	Cover:Manual Feed:Front	1
4	B077 6108	Cover:Manual Feed:Inner Back	1
5	B077 6107	Cover:Contact Point	1
6	B077 6090	Bracket:Support Stay	1
7	A232 6091	Positioning Pin	1
8	AA08 2070	Bushing - 8x16x7	1
9	AA06 6574	Torsion Spring	1
10	B077 6067	Manual Feed Table	1
11	B077 6068	Cover:Manual Feed Table	1
12	A232 6082	Front Rack	1
13	G011 3305	Gear - 16Z	1
14	A232 6083	Rear Rack	1
15	B198 6080	Paper Size Sensor	1
16	B082 6073	Decal:Manual Feed Direction	1
17	G060 2905	Paper Guide - Manual Feed Table	1
18	A232 6092	Roller - Holder	1
19	B077 6070	Side Fence:Inner Back	1
20	B077 6072	Side Fence:Auxiliary:Rear	1
21	B077 6069	Side Fence:Front	1
22	B077 6071	Side Fence:Auxiliary:Front	1
23	AF04 0559	Driven Roller - M9	1
24	B198 6009	Manual Feed Table:Sub-ass'y	1
25	G060 2908	Pad - Side Fence	2
26	B004 6024	Supporting Plate:Contact Point	1
27	B082 6010	Support Stay:Sub-ass'y	1

Index No.	Part No.	Description	Q'ty Per Assembly
101	0451 3008N	Tapping Screw - M3x8	
102	1105 0349	Edge Saddle	
103	0720 0060E	Retaining Ring - M6	
104	0451 3008N	Tapping Screw - M3x8	
105	0451 4010N	Tapping Screw:4x10	
106	0450 3010N	Tapping Screw - M3x10	

5.BY-PASS FEED SECTION 2 (G147)

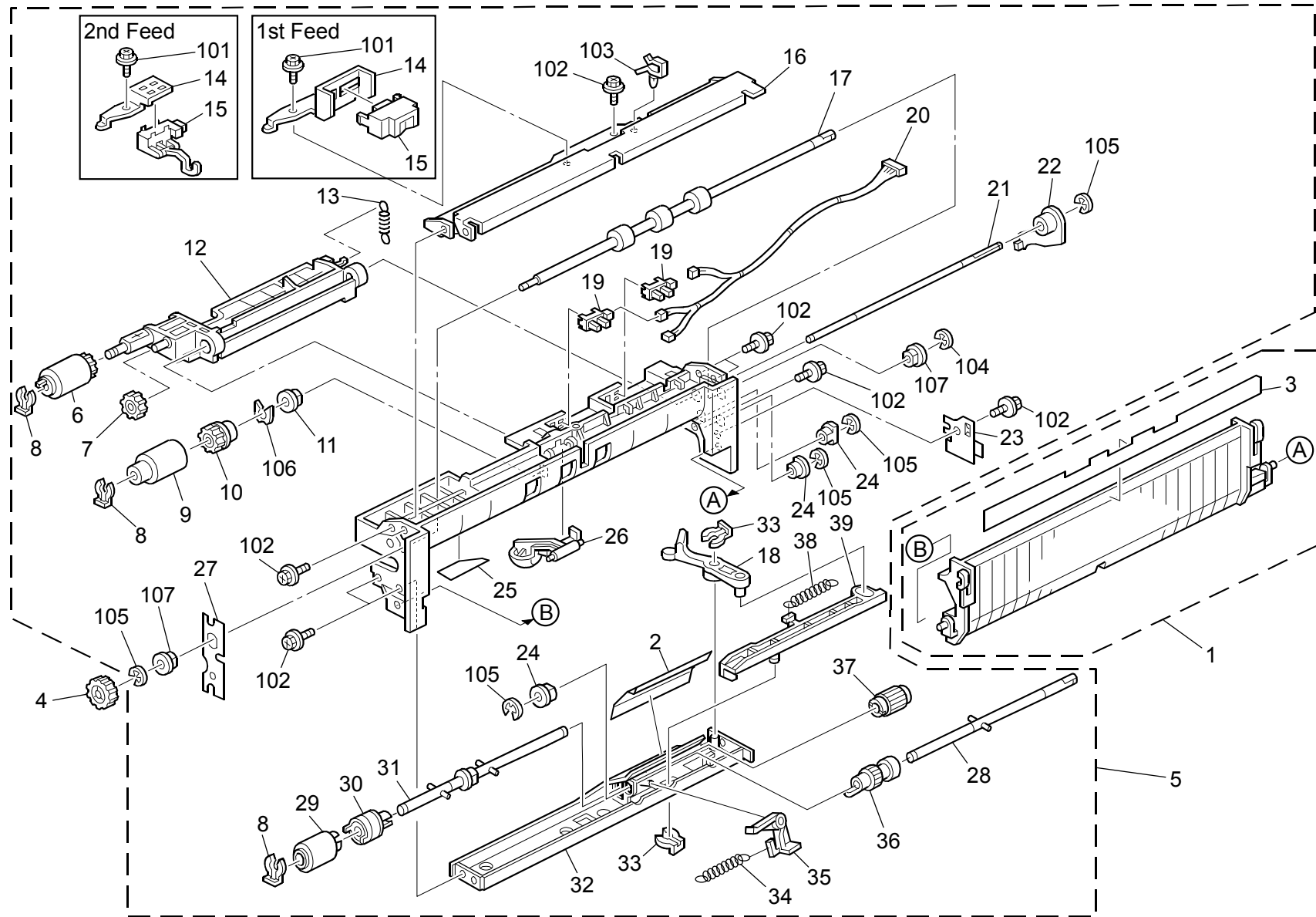


5.BY-PASS FEED SECTION 2 (G147)

Index No.	Part No.	Description	Q'ty Per Assembly
1	5447 2681	Snap Ring	3
2	AF03 2046	Separation Roller - Manual Feed	1
3	B004 2783	Torque Limiter	1
4	B213 6033	Shaft:Separator:Driven	1
5	AA06 3499	Pressure Spring	1
6	AF01 3016	Bottom Plate Pad	1
7	AB01 1389	Gear - 20Z	1
8	AB01 1388	Gear - Z16	1
9	A232 6035	Shaft - Drive Roller	1
10	B082 6028	Guide Plate:Separator:Ass'y	1
11	B082 6038	Cover:Gear:Adhesion	1
12	AF04 0575	Driven Roller	1
13	B077 6022	Housing:Manual Feed	1
14	5216 4198	Stepped Screw - Guide Plate	3
15	A232 6023	Grounding Plate - Reverse	1
16	A232 6055	Paper End Feeler	1
17	A134 2661	Feeler Roller	1
18	AF04 0031	Driven Roller	2
19	AW02 0145	Photointerruptor:Flat	1
20	A232 6043	Arm Paper Pick Up	1
21	AA14 0753	Feed Shaft	1
22	AF03 0049	Pick-up Roller	1
23	AB01 1387	Gear - 23Z	1
24	B077 6044	Guide Plate:Feed	1
25	A232 6046	Grounding Plate - Feed	1
26	AA06 3568	Pressure Spring	1
27	B213 6051	DC Solenoid:Pickup:Sub-ass'y	1
28	B082 5427	Harness:Manual Feed Unit	1
29	AA06 3567	Tension Spring	1
30	AA08 3018	Roller Clutch - 6x14x10	1
31	AX20 0292	Magnetic Clutch:245mn.m	1
32	AB01 7454	Gear - 24Z/30Z	1
33	B213 6059	Arm:Tightener:Ass'y	1
34	AB01 1390	Gear - 27Z	1
35	GA08 0002	Bushing - 6mm	5

Index No.	Part No.	Description	Q'ty Per Assembly
36	AA06 3569	Spring	1
37	B213 6049	Bracket:DC Solenoid	1
38	B082 6061	Bracket:Drive:Ass'y	1
39	B077 6065	Rail:Holder	1
40	AF03 1046	Feed Roller - Manual Feed	1
41	B004 6062	Pressure Plate - By-pass Feed	1
101	0451 3008N	Tapping Screw - M3x8	
102	0805 3480	Bushing - 6mm	
103	0720 0040E	Retaining Ring - M4	
104	1105 0267	Harness Clamp - YMC-10-0	
105	0353 0040N	Screw - M3X4	
106	0450 3008N	Tapping Screw - M3x8	

6.PAPER REGISTRATION 1 (G147)

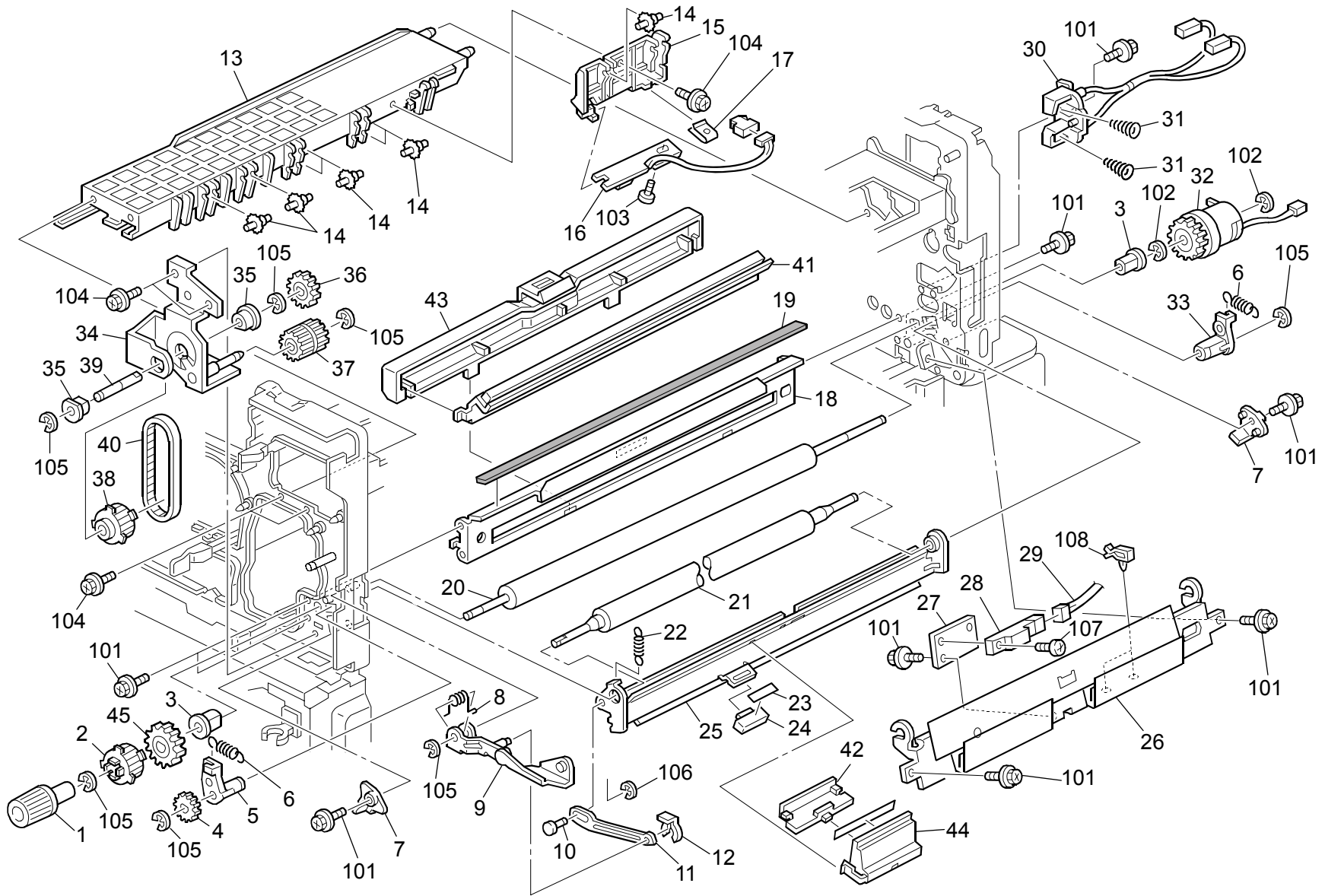


6.PAPER REGISTRATION 1 (G147)

Index No.	Part No.	Description	Q'ty Per Assembly
*	B213 2740	Paper Feed Unit:No.1	1
1	B082 2785	Guide Plate:Swivel:Adhesion	1
2	B004 2782	Rear Feed Mylar	1
3	A232 2787	Vertical Transport Guide	1
4	AB01 4090	Gear - 18Z	1
5	B213 2750	Paper Feed Unit	1
6	AF03 0090	Paper Feed Roller:Pickup	1
7	AB01 1188	Gear - 21Z	1
8	5447 2681	Snap Ring	2
9	AF03 1090	Paper Feed Roller:Feed	1
10	AB01 1189	Gear - 18Z	1
11	AA08 2070	Bushing - 8x16x7	1
12	A232 2763	Pick-up Arm	1
13	AA06 0691	Tension Spring	1
14	B077 2781	Bracket:Sensor (2ND)	1
14	B082 2781	Bracket:Sensor (1ST)	1
15	AW01 0122	Paper Feed Sensor	1
15	AW02 0157	Paper Feed Sensor	1
16	B077 2780	Stay:Feed	1
17	AF02 0648	Transport Roller:Drive	1
18	G065 2776	Release Lever	1
19	AW02 0145	Photointerruptor:Flat	2
20	B082 5428	Harness:Paper Feed Unit	1
21	AA14 0655	Shaft - Paper Feed	1
22	G065 2767	Lever - Feed	1
23	A232 2764	Rear Grounding Plate	1
24	AA08 2072	Bushing - M6	2
25	A232 2766	Feed Mylar	1
26	A232 2762	Paper End Feeler	1
27	A232 2765	Front Grounding Plate	1
28	B213 2784	Shaft:Separate:Drive	1
29	AF03 2090	Paper Feed Roller:Separate	1
30	B004 2783	Torque Limiter	3
31	B213 2777	Shaft:Separate:Driven	1
32	B213 2770	Stay:Separate:Ass'y	1

Index No.	Part No.	Description	Q'ty Per Assembly
33	5206 2686	Snap Ring	2
34	AA06 0693	Tension Spring	1
35	G065 2774	Pressure Lever	1
36	AB01 0156	Gear:Separate:Drive	1
37	AB01 0157	Gear:Separate:Driven	1
38	AA06 0908	Release Spring	1
39	G065 2775	Link Lever	1
101	0450 3008N	Tapping Screw - M3x8	
102	0451 3008N	Tapping Screw - M3x8	
103	1105 0283	Clamp	
104	0720 0060E	Retaining Ring - M6	
105	0720 0040E	Retaining Ring - M4	
106	0805 0089	Retaining Ring - M4	
107	0805 3480	Bushing - 6mm	

7.PAPER REGISTRATION 2 (G147)

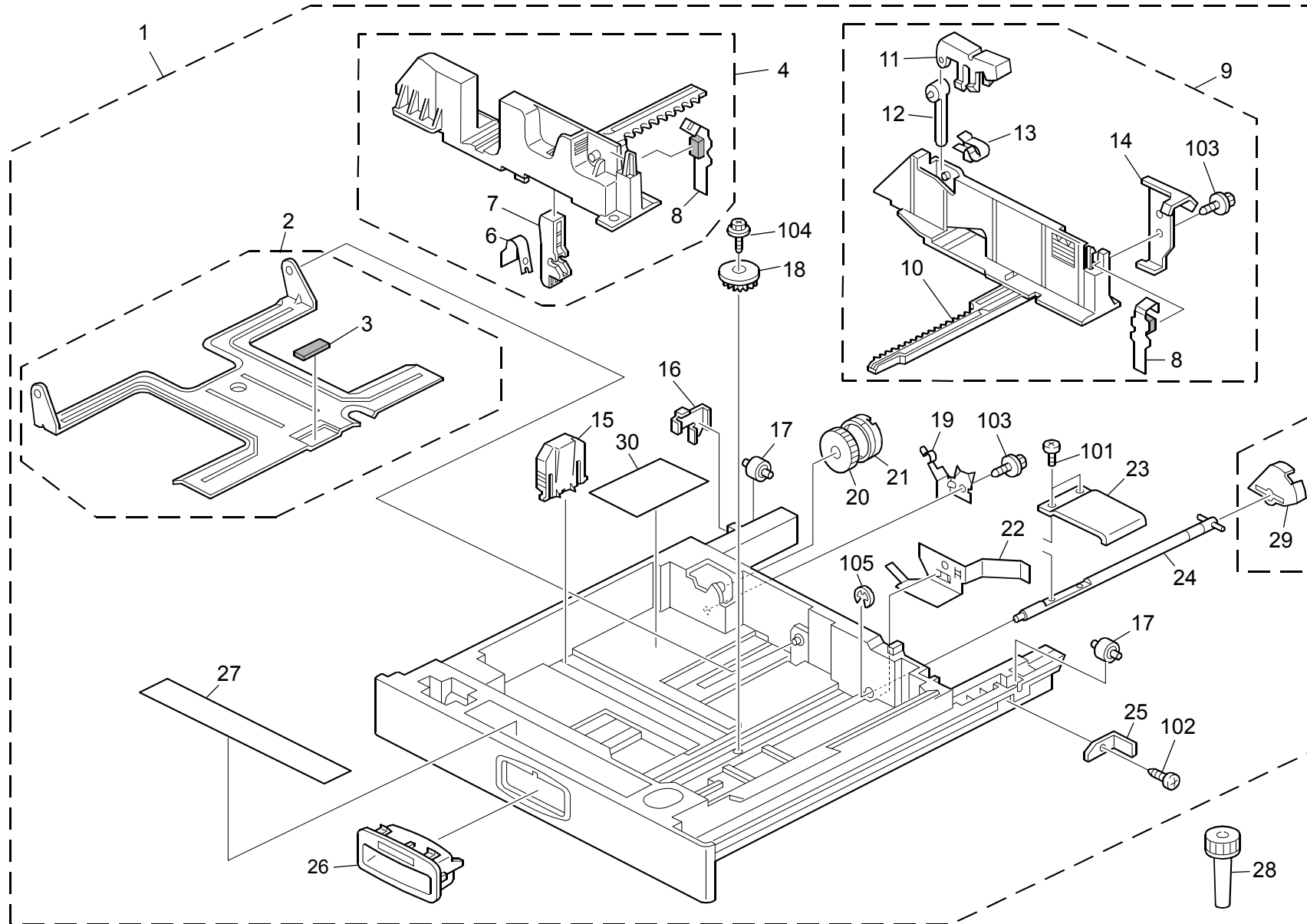


7.PAPER REGISTRATION 2 (G147)

Index No.	Part No.	Description	Q'ty Per Assembly
1	AG05 0099	Knob:Registration	1
2	AB03 0778	Gear:Pulley - 20Z/30T	1
3	AA08 2080	Bushing - M8	2
4	AB01 4051	Gear - 16Z	1
5	AA08 0229	Front Bushing - M6	1
6	AA06 2304	Pressure Spring	2
7	A232 2578	Stopper - Guide Plate	2
8	AA06 6577	Torsion Spring	1
9	B077 3985	Link:Cover:Ass'y	1
10	AA14 9291	Pin - Link	1
11	B077 2596	Link:Guide Plate:Open And Close	1
12	5206 2686	Snap Ring	1
13	B082 2403	Supporter:PCU	1
14	B004 2310	Spur	8
15	A232 2366	Holder - ID Sensor	1
16	B213 2367	Density Sensor:P	1
17	A232 1284	Spring Holder	1
18	B082 1072	Stay:Drum:Lower:Ass'y	1
19	AA15 3442	Shield - Stay - PCU	1
20	AF02 0608	Registration Roller:Drive:MM20	1
21	AF02 1083	Registration Roller:Driven:MM16	1
22	AA06 2305	Tension Spring	1
23	AA00 1393	Decal - A2	1
24	B082 2575	Grip:Guide Plate	1
25	B213 2574	Guide Plate:Entrance:Upper:Peen	1
26	B077 2583	Guide Plate:Entrance:Lower:Adhesion	1
27	B077 2594	Bracket:Registration Sensor	1
28	AW01 0106	Paper Feed Sensor	1
29	B082 5420	Harness:Registration Sensor	1
30	B213 1127	Receptacle:Transfer Belt	1
31	AA06 3304	Terminal Spring	2
32	AX20 0280	Magnetic Clutch:0.5n.m:28z	1
33	AA08 0230	Rear Bushing - M6	1
34	B213 2570	Bracket:Registration:Drive:Front	1
35	AA08 2072	Bushing - M6	1

Index No.	Part No.	Description	Q'ty Per Assembly
36	AB01 4275	Gear - 17Z	1
37	AB01 4276	Gear - 16Z	1
38	AB03 0779	Timing Pulley - 30T	1
39	B213 2575	Shaft:Drive:Registration	1
40	AA04 3580	Timing Belt:50S2M192	1
41	B082 2603	Cleaner:Registration Roller:Ass'y	1
42	B213 2614	Bracket:Cleaner:Registration Roller	1
43	B082 2602	Case:Cleaner:Registration Roller	1
44	B082 2611	Case:Registration Roller:Ass'y	1
45	AB01 4275	Gear - 17Z	1
101	0451 3006N	Tapping Screw - 3x6	
102	0720 0060E	Retaining Ring - M6	
103	0353 0060N	Bind Screw - M3x6	
104	0450 3008N	Tapping Screw - M3x8	
105	0720 0040E	Retaining Ring - M4	
106	0720 0020E	Retaining Ring - M2	
107	0313 0060N	Screw - M3X6	
108	1105 0283	Clamp	

8.PAPER TRAY UNIT (G147)

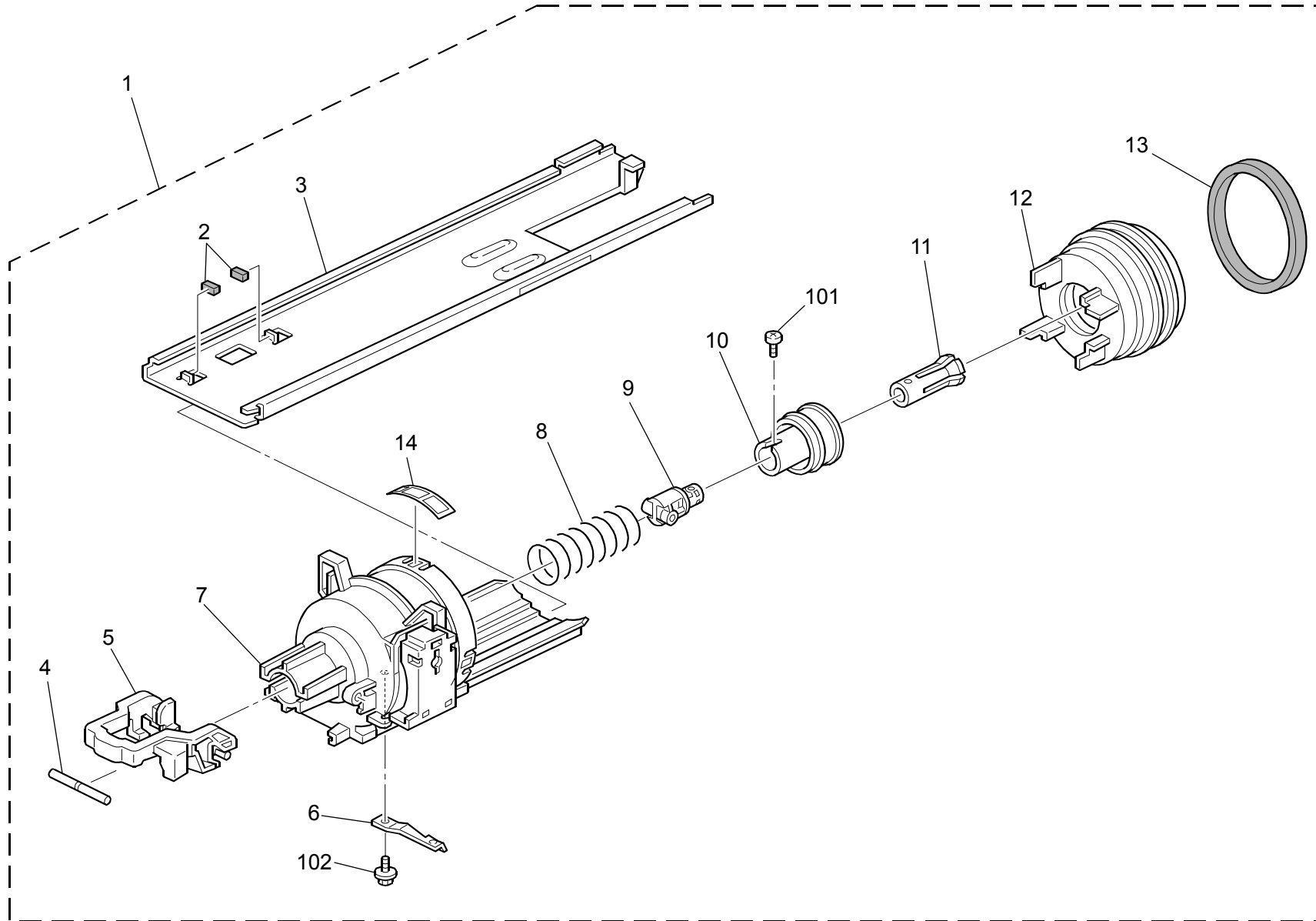


8.PAPER TRAY UNIT (G147)

Index No.	Part No.	Description	Q'ty Per Assembly
1	B213 2903	Paper Tray:Universal	1
2	B077 2940	Tray Bottom Plate:Ass'y	1
3	AF01 3006	Bottom Plate Pad	1
4	B082 2920	Side Fence:Front:Ass'y	1
5	B077 2921	Side Fence:Front	1
6	B004 2923	Spring Plate - Release Lever	1
7	B004 2922	Release Lever - Side Fence	1
8	B082 2925	Shield:Side Fence:Ass'y	1
9	B082 2930	Side Fence:Rear:Ass'y	1
10	B077 2931	Side Fence:Rear	1
11	B004 2932	Rear Stopper Lever	1
12	B004 2933	Rear Stopper	1
13	B004 2934	Spring Plate - Lock Lever	1
14	B082 2937	Paper Stopper:Side Fence	1
15	AF01 7026	End Fence	1
16	B077 2952	Shoe:Left	1
17	A232 2987	Roller - Paper Tray	2
18	B004 2936	Gear - 16Z	1
19	B004 2947	Spring Plate-paper Size Sensor	1
20	B082 2955	Dial:Paper Size Sensor:Printing	1
21	B004 2948	Paper Size Sensor	1
22	B004 2943	Grounding Plate - Paper Tray	1
23	B077 2975	Lever:Rise	1
24	B213 2915	Shaft:Rise	1
25	B077 2951	Stopper:Right:Paper Tray	1
26	B077 2988	Cover:Grip:C3	1
27	B082 2965	Decal:Paper Set Direction	1
28	G034 2987	Socket	1
29	A235 2979	Feeler - Paper Height Sensor	1
30	B213 2967	Decal:Paper Select:Dial:EXP	1

Index No.	Part No.	Description	Q'ty Per Assembly
101	0353 0060N	Bind Screw - M3x6	
102	0452 3008N	Tapping Screw - M3x8	
103	0450 4008N	Tapping Screw - M4x8	
104	0450 3008N	Tapping Screw - M3x8	
105	0720 0060E	Retaining Ring - M6	

9.TONER HOPPER UNIT (G147)

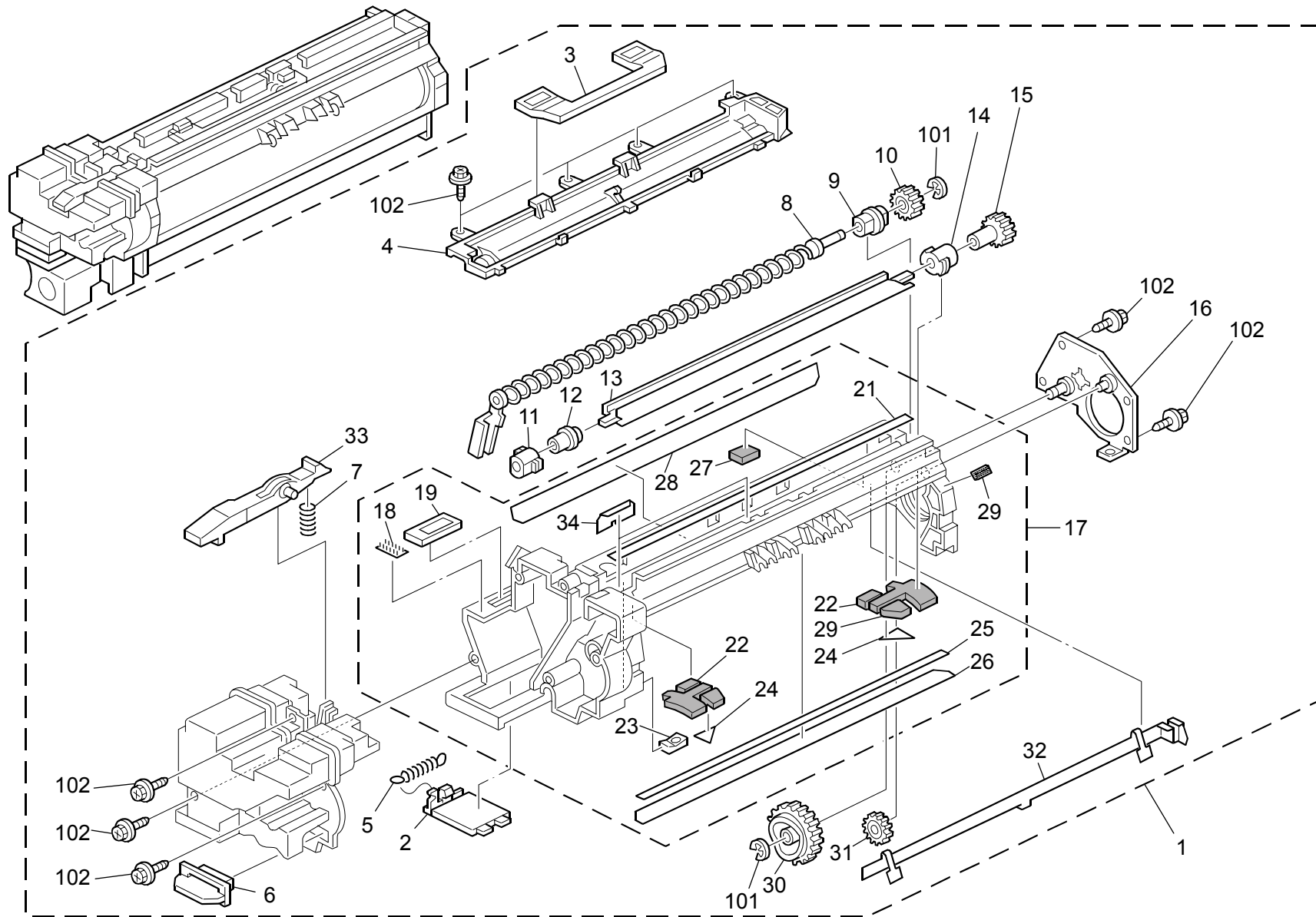


9.TONER HOPPER UNIT (G147)

Index No.	Part No.	Description	Q'ty Per Assembly
1	B004 3209	Toner Supply Unit:Ass'y	1
2	A232 3266	Seal - Slide Rail	2
3	B077 3262	Slide Rail:Toner Supply Unit	1
4	AA14 5831	Shaft:Slide	1
5	A232 3261	Handle - Toner Supply	1
6	A232 3263	Spring Plate - Toner Bottle	1
7	A232 3233	Case:Toner Supply Unit:Ass'y	1
8	AA06 3566	Pressure Spring	1
9	A232 3251	Chuck Shaft	1
10	A232 3252	Slider Ass'y	1
11	A134 3180	Bottle Chuck	1
12	A232 3240	Cover- Toner Bottle Ass'y	1
13	AA15 3083	Seal - Toner Supply Unit Cover	1
14	B004 3265	Caution Decal - Toner Supply	1

Index No.	Part No.	Description	Q'ty Per Assembly
101	0452 3010N	Binding Self-tapping Screw:3x10	
102	0450 3008N	Tapping Screw - M3x8	

10.PCU UNIT 1 (G147)

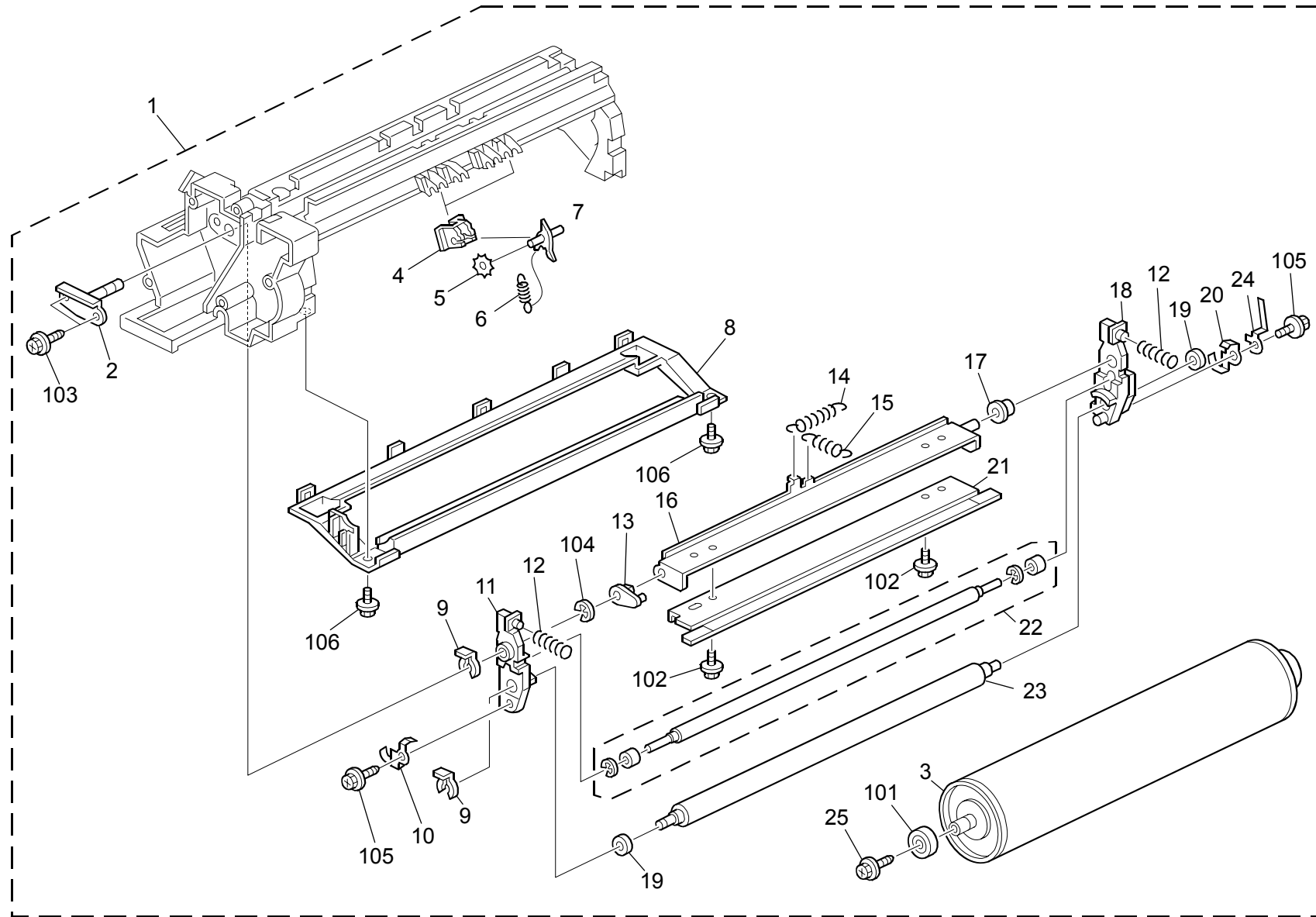


10.PCU UNIT 1 (G147)

Index No.	Part No.	Description	Q'ty Per Assembly
1	G147 2204	PCU	1
2	G065 2241	Shutter - Toner Supply	1
3	G065 2259	Handle - PCU	1
4	G065 2251	Cover:PCU:Upper:Ass'y	1
5	AA06 2316	Tension Spring - Shutter	1
6	G065 2328	Cap - Toner Supply	1
7	G065 2219	Compression Spring:Stopper:PCU	1
8	B213 2292	Toner Collection Coil	1
9	A232 2292	Bushing - Toner Collection Coil	1
10	AB01 1377	Gear - 14Z	1
11	A232 2289	Front Bushing - Collection Mylar	1
12	A232 2288	Shaft - Toner Collection Mylar	1
13	B082 2288	Collection Coil:Ass'y	1
14	A232 2290	Bushing - Collection Mylar	1
15	AB01 1378	Gear - 19Z	1
16	B213 2290	Bracket:Idler	1
17	G065 2228	Upper Frame - PCU	1
18	A232 3267	Front Entrance Seal - Toner Supply	1
19	G065 2279	Entrance Seal - Toner Supply	1
20	A232 2414	Seal - 2x20x45	1
21	AA15 0671	Shield - Collection Coil	1
22	A232 2348	Seal - Blade 12x7x3	2
23	A232 1284	Spring Holder	1
24	A232 2350	Seal - Entrance	2
25	A232 2280	Tape - Entrance Seal	1
26	AD04 7023	Cleaning Entrance Seal	1
27	A232 2399	Seal - Blade 13x9.5x3	2
28	A232 2401	Shield - Blade - Upper	1
29	B004 2215	Entrance Seal - Toner Supply	1
30	AB01 1380	Cam - Cleaning Blade	1
31	AB01 1379	Gear - 19Z	1
32	G065 2271	Electrode Plate:Charge:Receptacle:A	1
33	G065 2217	PCU Stopper	1
34	G065 2282	Shield:PCU:Rail	2

Index No.	Part No.	Description	Q'ty Per Assembly
101	0720 0040E	Retaining Ring - M4	
102	0450 3008N	Tapping Screw - M3x8	

11.PCU UNIT 2 (G147)

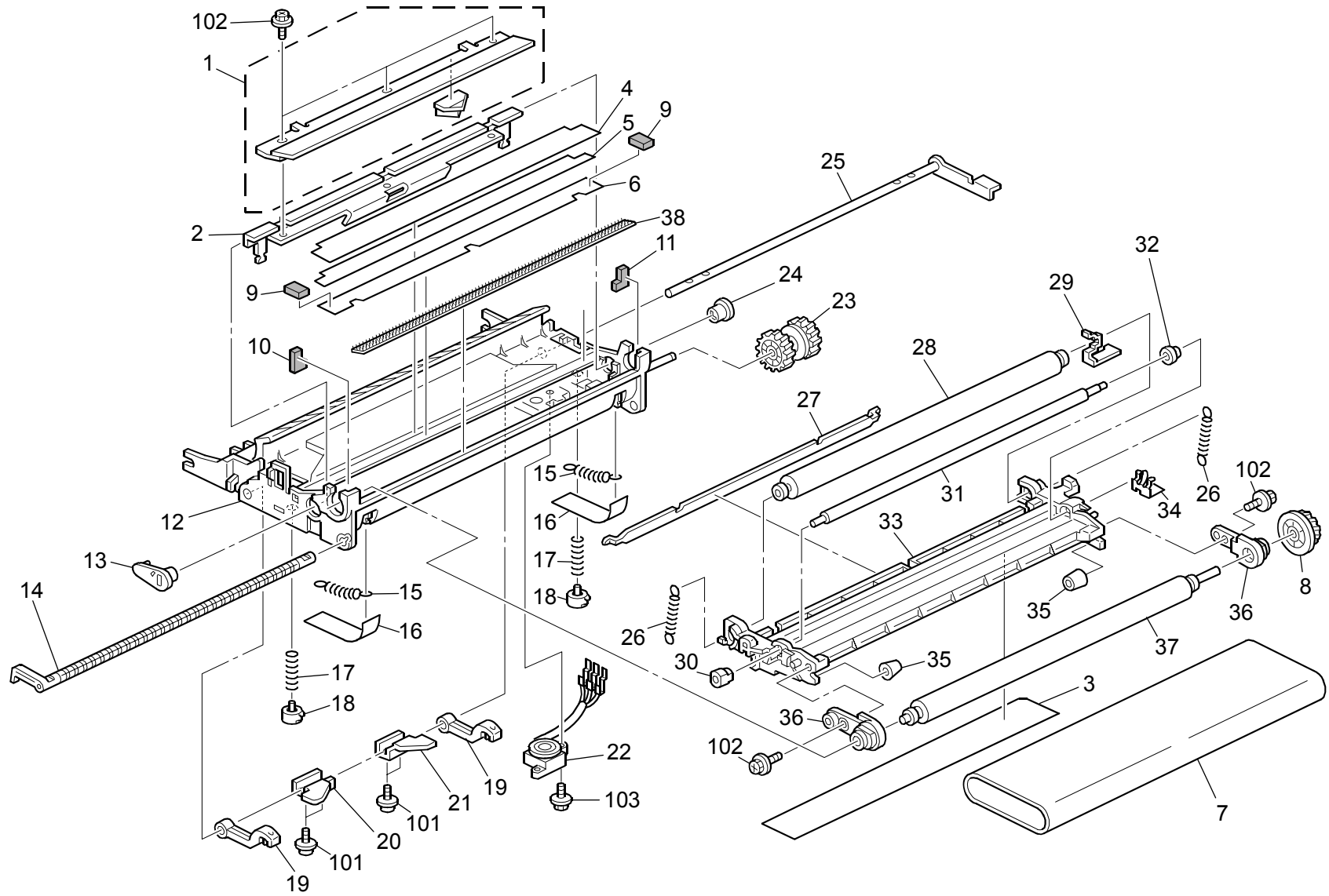


11.PCU UNIT 2 (G147)

Index No.	Part No.	Description	Q'ty Per Assembly
1	G147 2204	PCU	1
2	G147 2316	Stud:Contact Point:Cleaning	1
3	A230 9510	OPC Drum	1
4	A232 2340	Holder - Pick-off Pawl	2
5	A232 2339	Spur	2
6	AA06 2310	Pressure Spring	2
7	AD02 5021	Pick-off Pawl	2
8	B082 2302	Frame:PCU:Lower:Ass'y	1
9	G065 2681	Snap Ring - M6	2
10	G065 2354	Electrode Plate:Charge:Front	1
11	G065 2321	Front Arm - Charge Unit	1
12	AA06 3648	Pressure Spring	2
13	A232 2315	Front Bushing - Cleaning Bracket	1
14	AA06 2300	Tension Spring	1
15	AA06 2299	Pressure Spring	1
16	G147 2310	Bracket:Cleaning Blade	1
17	A232 2318	Collar - Cleaning	1
18	G065 2326	Rear Arm - Charge Unity	1
19	A232 2421	Bushing - 6x10x3	2
20	G065 2308	Electrode Plate:Charge:Rear	1
21	A232 2353	Cleaning Blade Ass'y	1
22	G790 2329	Brush Roller:Cleaner:Charge	1
23	AD02 7012	Roller:Charge:Apply	1
24	B082 2333	Terminal:Brush Roller	1
25	AA14 3549	Screw:Dia10:M3X18	1

Index No.	Part No.	Description	Q'ty Per Assembly
101	0740 3808	Ball Bearing - 8x16x5mm	
102	0451 3006N	Tapping Screw - 3x6	
103	0450 3008N	Tapping Screw - M3x8	
104	0720 0040E	Retaining Ring - M4	
105	0450 3006N	Tapping Screw - M3x6	
106	0451 3008N	Tapping Screw - M3x8	

12.TRANSFER UNIT 1 (G147)

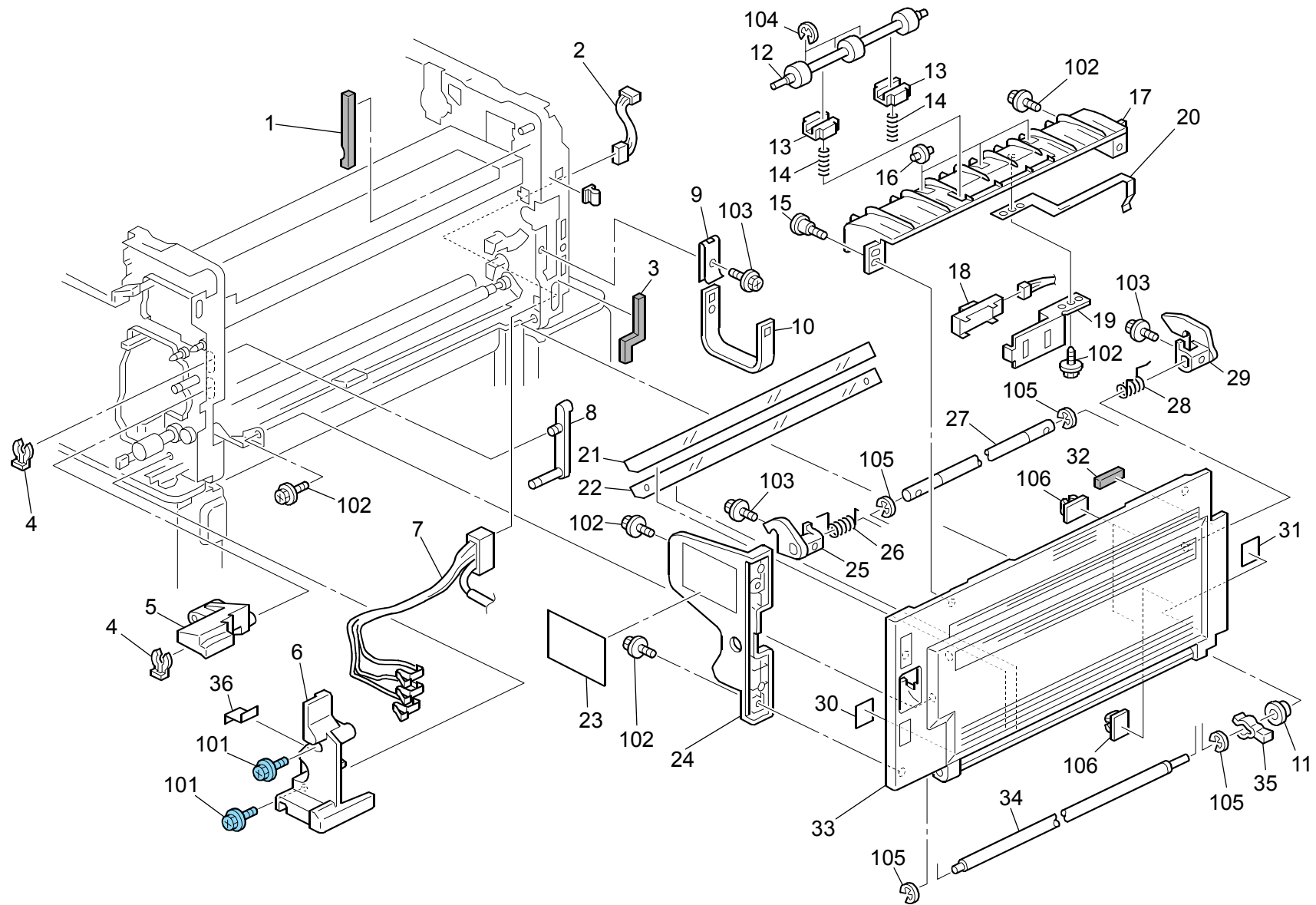


12.TRANSFER UNIT 1 (G147)

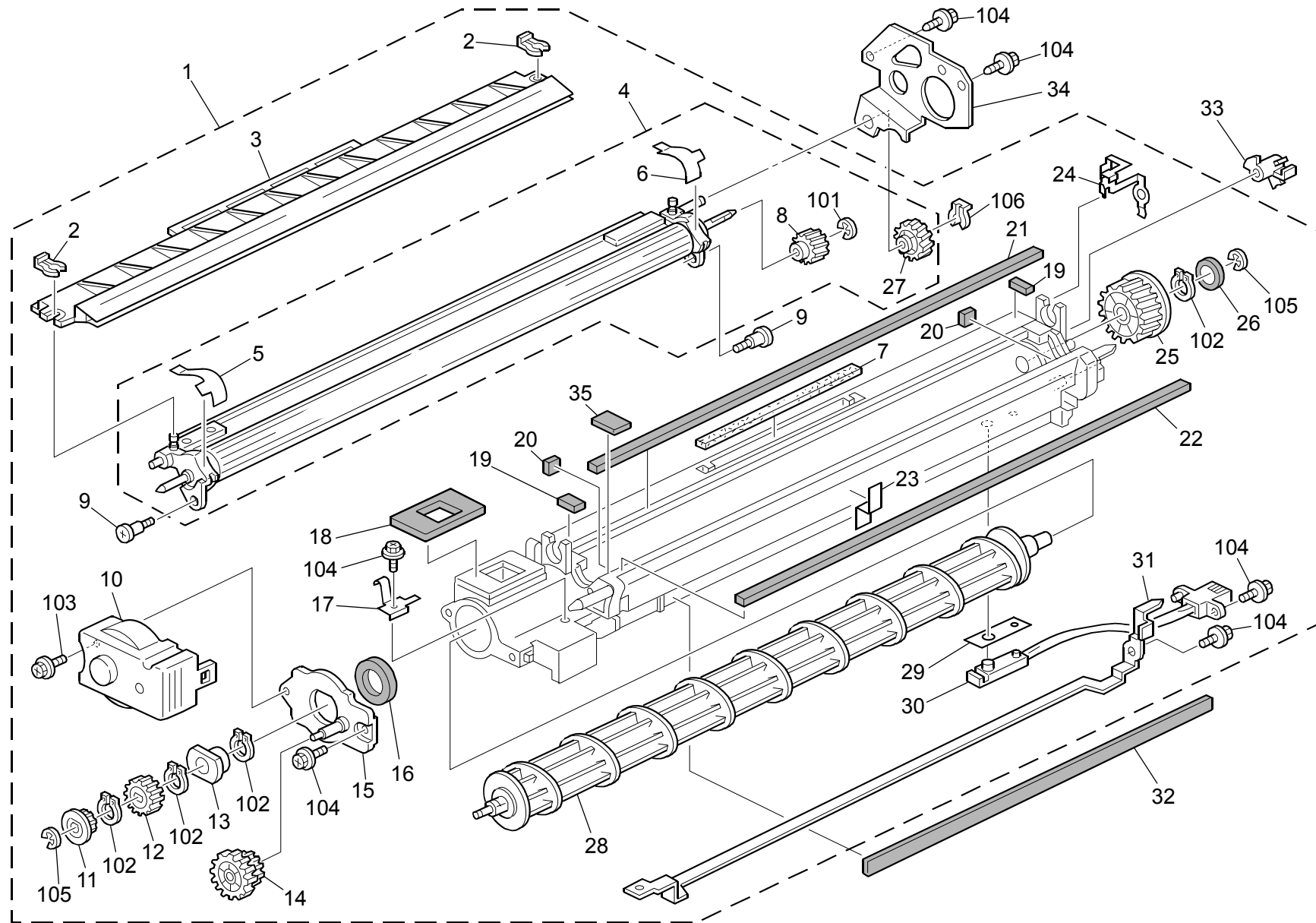
Index No.	Part No.	Description	Q'ty Per Assembly
1	B213 3831	Cleaning Blade:Transfer Belt	1
2	B082 3920	Cleaning Blade Bracket	1
3	B004 3914	Mylar - Belt Drive Roller	1
4	A232 3907	Seal - Transfer Exit	1
5	A232 3906	Seal - Rear Transfer Exit	1
6	A232 3905	Seal - Shield Plate	1
7	A232 3880	Transfer Belt	1
8	AB01 1190	Gear - 25Z	1
9	A232 3927	Shield - Transfer Belt - Exit	2
10	A232 3909	Seal - Front Case	1
11	A232 3908	Seal - Rear Case	1
12	B004 3900	Case - Transfer Unit	1
13	A232 3925	Front Bushing - Cleaning Holder	1
14	G034 3935	Shaft - Transfer Unit Stopper	1
15	AA06 0939	Spring:Pressure:Cleaning Blade:4.4n	2
16	AA15 0401	Seal - 70x20	2
17	AA06 3305	Torsion Spring	2
18	A232 3921	Spring Anchor	2
19	A232 3916	Pressure Lever - Transfer Belt	2
20	B077 3914	Lever:Front	1
21	B077 3913	Lever:Rear	1
22	AW31 0007	Used Toner Sensor:Transfer Unit	1
23	AB01 4189	Gear - 27Z	1
24	A232 3924	Rear Bushing - Cleaning Holder	1
25	B213 3917	Lever:Release:Pressure	1
26	AA06 0712	Torsion Spring	2
27	A232 3883	Spring Plate - Transfer Unit	1
28	A232 3885	Driven Roller - Transfer Unit	1
29	A232 3887	Rear Terminal - Transfer Belt	1
30	AA08 0246	Bushing - Bias Roller	1
31	B213 3889	Roller:Bias	1
32	AA08 2054	Bushing - M4	1
33	B213 3882	Frame:Transfer Belt	1
34	A232 3891	Bias Terminal	1
35	A232 3926	Transfer Belt Roller	2

Index No.	Part No.	Description	Q'ty Per Assembly
36	A232 3893	Arm - Transfer Belt	2
37	B213 3894	Roller:Drive:Dia14.5	1
38	B082 3867	Shield:Remove Paper Dust	1
101	0951 3006N	Screw - M3X6	
102	0451 3006N	Tapping Screw - 3x6	
103	0450 3008N	Tapping Screw - M3x8	

13.TRANSFER UNIT 2 (G147)



14.DEVELOPMENT UNIT (G147)

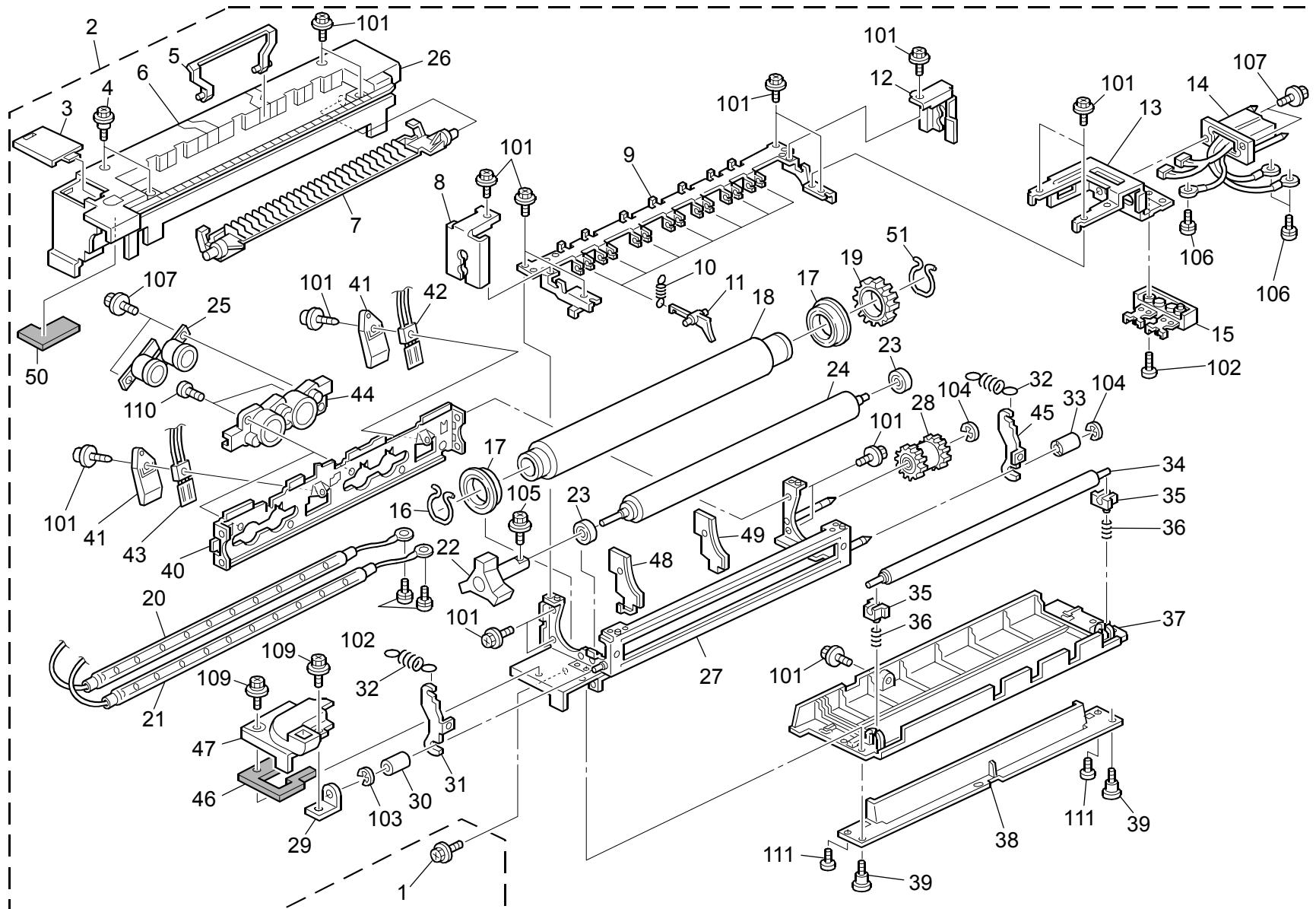


14.DEVELOPMENT UNIT (G147)

Index No.	Part No.	Description	Q'ty Per Assembly
1	G147 3005	Development Unit:P4:EXP:Ass'y	1
2	5206 2686	Snap Ring	2
3	A232 3150	Entrance Seal Ass'y	1
4	G065 3100	Development Sleeve:P3:Ass'y	1
5	A232 3131	Front Shield - Development Sleeve	1
6	A232 3132	Rear Shield - Development Sleeve	1
7	AA01 2131	Filter:Development	1
8	AB01 1386	Development Sleeve Gear	1
9	AA14 3219	Stepped Screw	2
10	A232 3155	Front Cover - Development Unit	1
11	AB01 4061	Gear - 13Z	1
12	AB01 4060	Gear - 21Z	1
13	AA08 0281	Bushing - 12x18x5.5	1
14	AB01 4062	Gear - 17Z/25Z	1
15	B213 3096	Flange:Side Plate:AL:Ass'y	1
16	AA15 3062	Sponge - M46	1
17	A232 3068	Front Bias Terminal - Development	1
18	G065 3066	Entrance Shield - Toner Supply	1
19	AA15 3054	Sponge - 17x7x5	2
20	AA15 3077	Sponge - 8x8x1	2
21	AA15 3053	Sponge - 317x5x5	1
22	G065 3067	Coupling Shield	1
23	G012 3897	Film - Toner End Sensor Harness	1
24	B004 3062	Ground Plate- Doctor Blade	1
25	B004 3078	Joint - Paddle	1
26	A232 3077	Spacer - M5	1
27	AB01 1446	Gear - 29Z	1
28	AD03 8091	Paddle:Ass'y	1
29	A232 3067	Tape - TD Sensor	1
30	B004 3063	Density Sensor:Development:Z	1
31	A232 3069	Rear Bias Terminal - Development	1
32	AA15 3443	Mylar -development Unit-right	1
33	G065 3070	New Article Sensor Feeler	1
34	G065 3075	Bracket - PCU And Development	1
35	AA15 3095	Shield - Development - Center	1

Index No.	Part No.	Description	Q'ty Per Assembly
101	0720 0040E	Retaining Ring - M4	
102	0725 0110E	C Ring - M11	
103	0450 3014N	Tapping Screw:M3x14	
104	0450 3008N	Tapping Screw - M3x8	
105	0720 0030E	Retaining Ring - M3	
106	0805 0097	Ring Separator	

15.FUSING UNIT (G147)

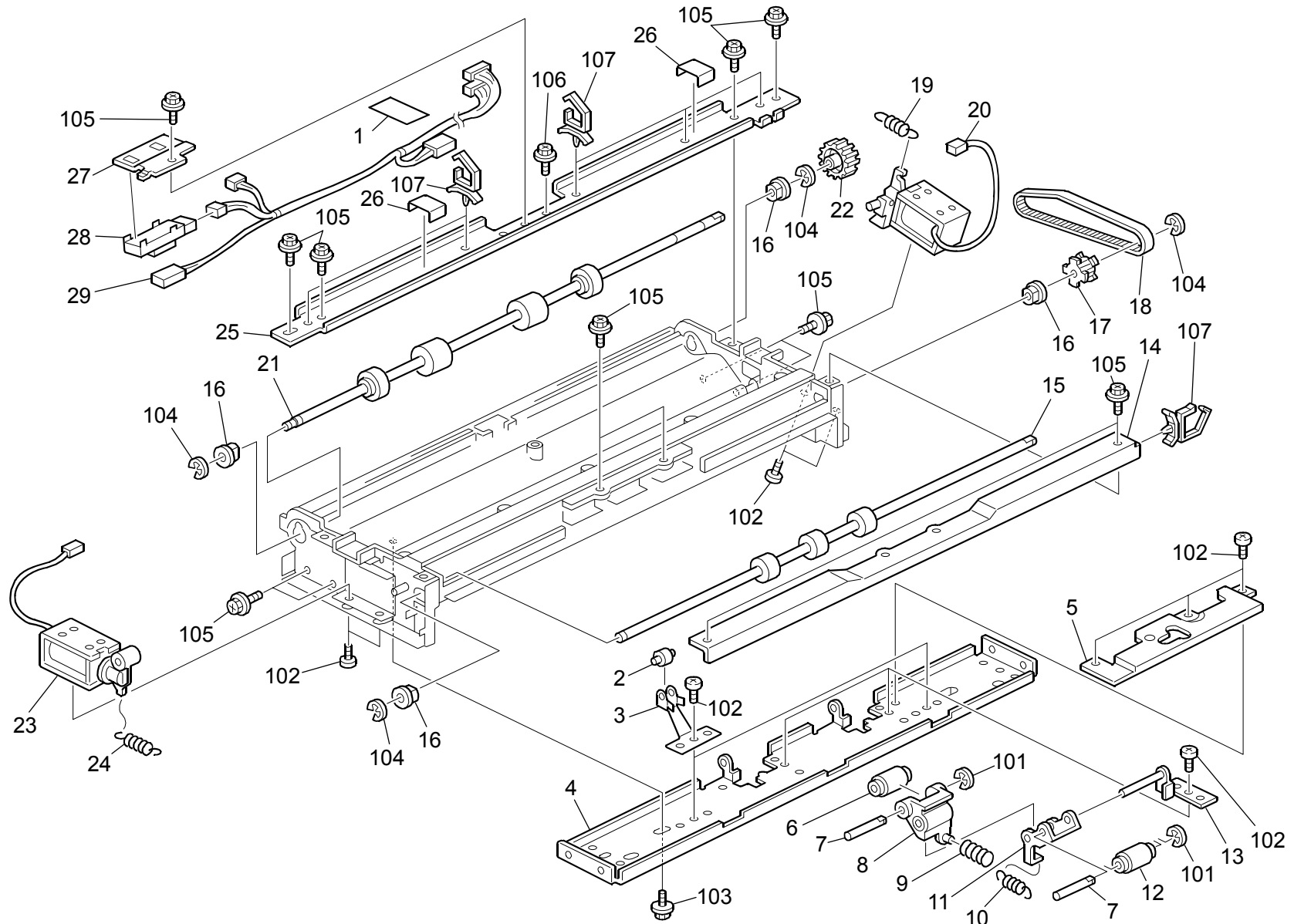


15.FUSING UNIT (G147)

Index No.	Part No.	Description	Q'ty Per Assembly
1	G034 2993	Flanged Hexagonal Head Bolt - M3x6	1
2	G147 7320	Fusing Unit:Na	1
2	G147 7720	Fusing Unit:Eu	1
3	B004 4133	Cap- Fusing Cover	1
4	AA14 3520	Shoulder Screw - M3	2
5	G065 4136	Handle - Fusing Unit	1
6	B213 4131	Fusing Cover:Printing	1
7	B004 4135	Guide Plate-fusing Exit	1
8	B082 4111	Socket:Heater:Front	1
9	B077 4081	Frame:Fusing:Upper	1
10	AA06 0948	Tension Spring:Stripper Pawls:50mn	7
11	AE04 4056	Stripper Pawls	7
12	B077 4115	Socket:Heater:Rear	1
13	B077 4092	Bracket:Drawer:Fusing:Welding	1
14	B213 4217	Harness:Fusing:NA	1
14	B213 4227	Harness:Fusing:EU	1
15	B004 4095	Terminal Plate - Fusing Unit	1
16	A232 4064	C Ring - Hot Roller	1
17	AE03 0047	Ball Bearing - 30x42x7	2
18	AE01 1115	Hot Roller:T0.4:Hb	1
19	AB01 3882	Gear - 40Z	1
20	AX44 0198	Heater:120V:650W:215mm	1
20	AX44 0199	Heater:230V:650W:215mm	1
21	AX43 0072	Heater - 120V 550W 335mm	1
21	AX43 0073	Heater-230V 550W 335mm	1
22	AG05 0094	Knob:Fusing	1
23	AE03 0048	Ball Bearing - 8x22x7	2
24	AE02 0125	Pressure Roller Mm32 Ass'y	1
25	G065 4156	Thermostat:Ass'y	1
26	B213 4131	Fusing Cover:Printing	1
27	B213 4171	Frame:Fusing:Ass'y	1
28	AB01 4046	Gear - 25Z	1
29	B082 4054	Positioning Plate Front	1
30	A232 4057	Front Collar - Pressure Lever	1
31	B213 4263	Lever:Pressure:Front	1

Index No.	Part No.	Description	Q'ty Per Assembly
32	AA06 0840	Pressure Spring - 29n	2
33	A232 4058	Rear Collar - Pressure Lever	1
34	AE04 2039	Fusing Cleaning Roller	1
35	AA08 2073	Roller Busing	2
36	AA06 3668	Compression Spring:Fusing Cleaning	2
37	B082 4123	Fusing Entrance Guide Plate:Upper	1
38	B004 4126	Lower Entrance Guide Plate	1
39	AA14 3792	Screw:Drawer	2
40	G065 4056	Stay:Fusing:Thermostat	1
41	B004 4087	Plate- Thermistor	2
42	AW10 0112	Thermistor:Fusing:Inner Back	1
43	AW10 0111	Thermistor:Fusing:Middle	1
44	G065 4155	Housing:Thermostat	1
45	B213 4264	Lever:Pressure:Rear	1
46	B082 4153	Shield:Duct:Fusing:Front Lower:Long	1
47	B082 4152	Duct:Fusing:Front Lower	1
48	B082 4105	Spacer:Frame:Front	1
49	B082 4106	Spacer:Frame:Rear	1
50	B082 4144	Shield:Fusing Cover	1
51	G065 4140	C Ring - Hot Roller - Rear	1
101	0451 3006N	Tapping Screw - 3x6	
102	0950 4006N	Screw - M4X6	
103	0720 0030E	Retaining Ring - M3	
104	0720 0040E	Retaining Ring - M4	
105	0804 6075	Hexagonal Bolt - M3x8	
106	0954 3012N	Screw - M3X12	
107	0451 3008N	Tapping Screw - M3x8	
108	0453 3006N	Tapping Screw - M3x6	
109	0804 6123	Hexagonal Bolt:W/washer:M3x8	
110	0957 3012N	Screw - M3X12	
111	0353 0080N	Screw:M3X8	

16.PAPER SEPARATION 1 (G147)

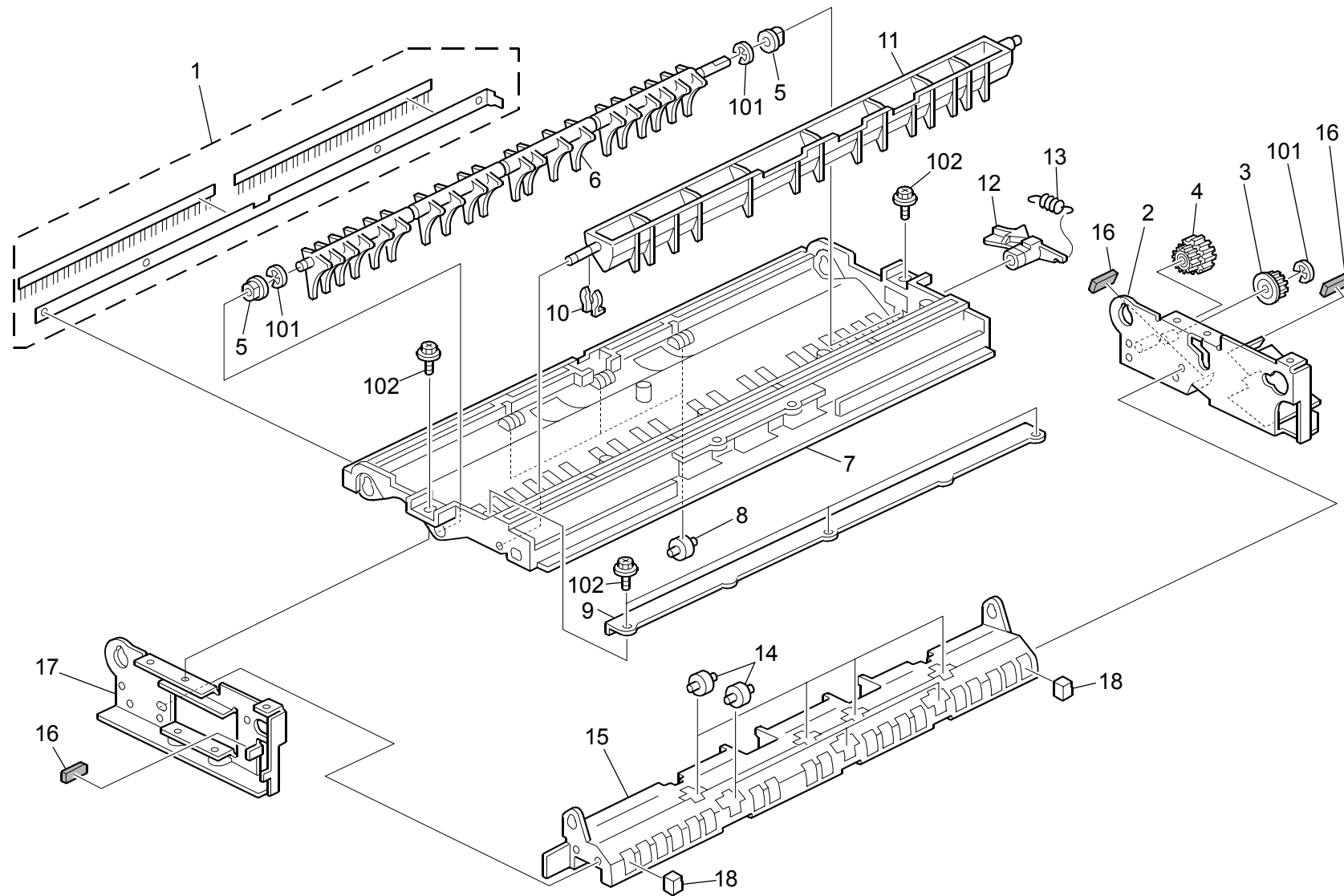


16.PAPER SEPARATION 1 (G147)

Index No.	Part No.	Description	Q'ty Per Assembly
1	B004 4434	Harness Guide	1
2	AF04 0600	Roller:Driven:9mm	2
3	B004 4469	Spring Plate - Exit Roller	2
4	B077 4455	Frame:Left Lower	1
5	B077 4437	Supporting Plate:Frame:Left Lower	1
6	AF04 0599	Pressure Roller:15	1
7	B213 4460	Shaft:Pressure Roller	1
8	B004 4458	Pressure Arm - Exit	2
9	AA06 3854	Pressure Spring	2
10	AA06 2312	Pressure Spring	2
11	B077 4463	Arm:Pressure:Entrance	1
12	AF04 0601	Pressure Roller:Entrance	1
13	B213 4466	Bracket:Contact Point	1
14	B077 4490	Supporting Plate:Frame:Right	1
15	AF02 0658	Transport Roller	1
16	AA08 2058	Bushing - 6x10x9mm	4
17	AB03 0568	Pulley - 23T	1
18	AA04 3555	Timing Belt - S2M234	1
19	AA06 2313	Gate Pawl Spring 1.5n	1
20	B213 4486	DC Solenoid:Entrance:Ass'y	1
21	AF02 0649	Exit Roller	1
22	AB01 4049	Gear - 24Z	1
23	B213 4484	DC Solenoid:Exit:Ass'y	1
24	AA06 0716	Tension Spring	1
25	B077 4493	Joint:Machine Or Copier	1
26	G012 3897	Film - Toner End Sensor Harness	2
27	B077 4494	Bracket:Paper Feed Sensor	1
28	AW01 0117	Paper Feed Sensor	1
29	B082 5459	Harness:DC:Exit	1

Index No.	Part No.	Description	Q'ty Per Assembly
101	0720 0030E	Retaining Ring - M3	
102	0353 0040N	Screw - M3X4	
103	0450 3008N	Tapping Screw - M3x8	
104	0720 0040E	Retaining Ring - M4	
105	0451 3006N	Tapping Screw - 3x6	
106	0450 3006N	Tapping Screw - M3x6	
107	1105 0511	Harness Clamp - LWS-0306ZC	

17.PAPER SEPARATION 2 (G147)

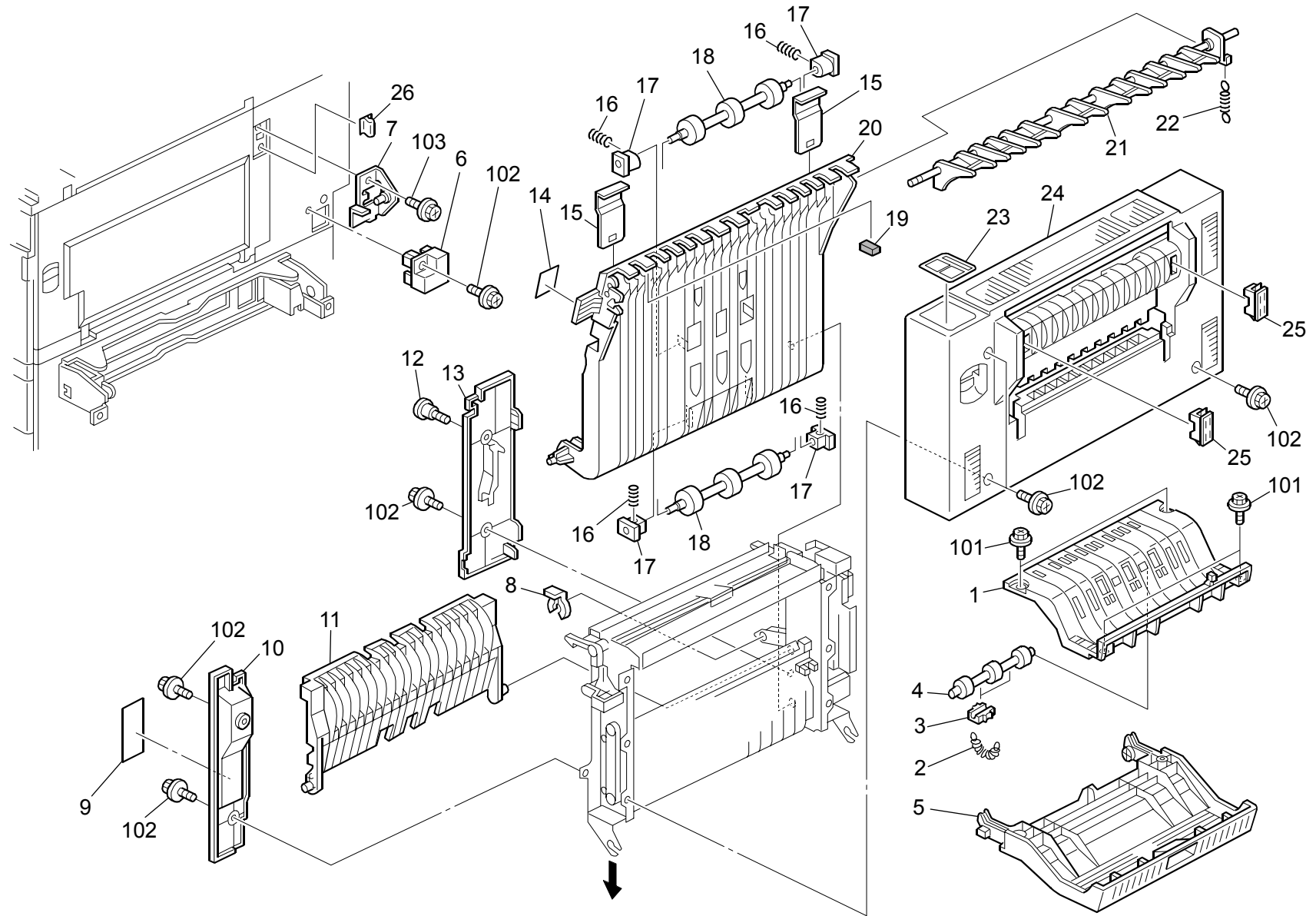


17.PAPER SEPARATION 2 (G147)

Index No.	Part No.	Description	Q'ty Per Assembly
1	B007 4498	Discharge Brush:Ass'y	1
2	B213 4472	Side Plate:Rear:Ass'y	1
3	AB03 0672	Idler Pulley	1
4	AB01 7458	Gear Pulley - 18Z/22T	1
5	B004 4438	Bushing	2
6	B213 4478	Gate Pawl:Entrance	1
7	B004 4477	Upper Guide Plate	1
8	AF04 0574	Guide Roller	3
9	B077 4439	Bracket:Protect:Middle	1
10	5447 2681	Snap Ring	1
11	B004 4481	Exit Junction Gate	1
12	B004 4479	Lever - Entrance Junction Gate	1
13	AA06 0855	Return Spring	1
14	AF04 0571	Guide Roller	7
15	B004 4453	Lower Guide Plate	1
16	AA16 1160	Cushion:Link:10x5x1.5	2
17	B077 4471	Side Plate:Front	1
18	AA16 1629	Pad-guide Plate	2

Index No.	Part No.	Description	Q'ty Per Assembly
101	0720 0040E	Retaining Ring - M4	
102	0450 3006N	Tapping Screw - M3x6	

18.DUPLEX UNIT 1 (G147)

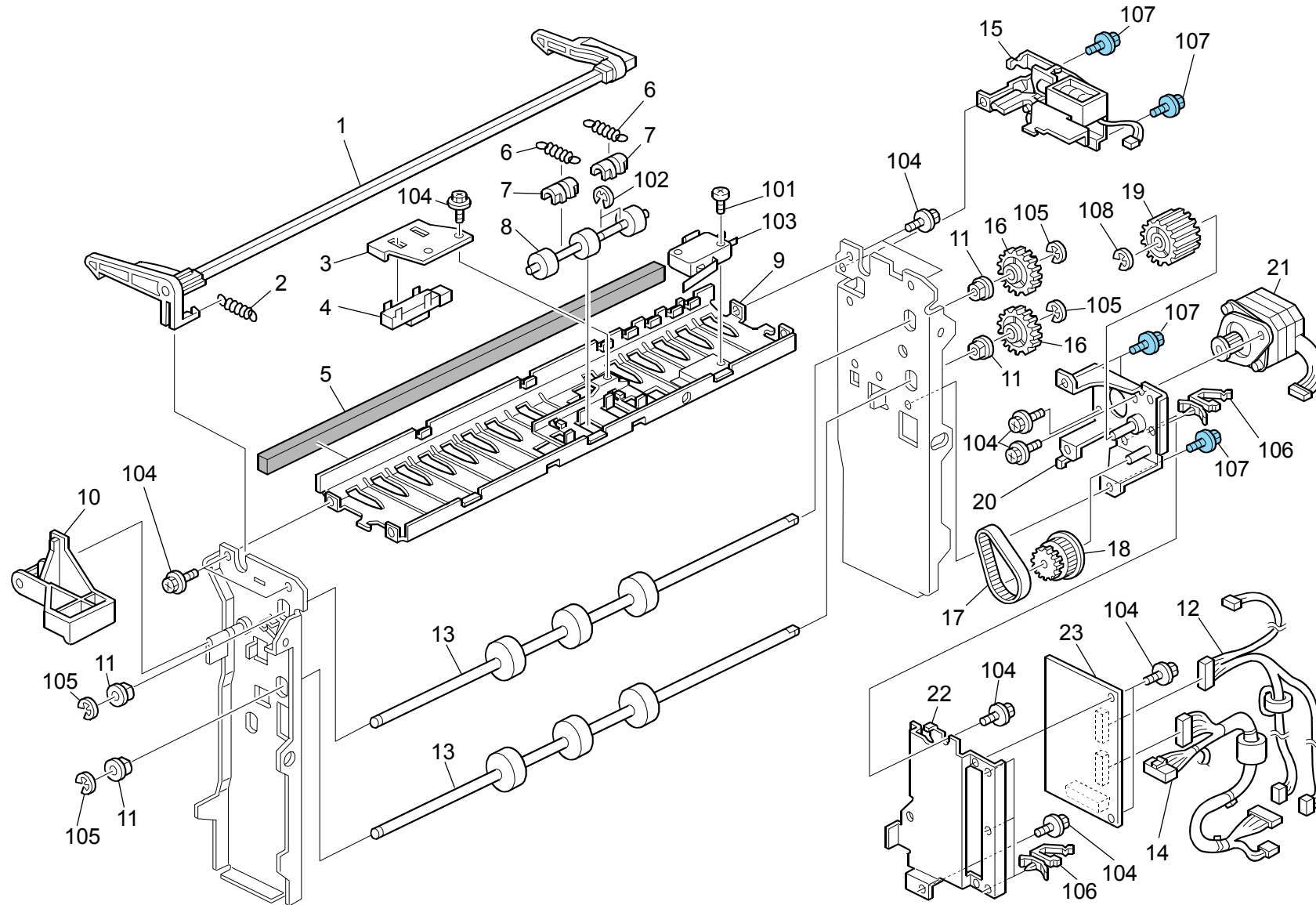


18.DUPLEX UNIT 1 (G147)

Index No.	Part No.	Description	Q'ty Per Assembly
1	B077 4710	Guide Plate:Open And Close:Right	1
2	AA06 0839	Pressure Spring - Driven	2
3	AA08 0307	Bushing - M4	2
4	AF02 0652	Reverse Roller:Driven	1
5	B077 4711	Cover:Duplex Unit:Right	1
6	B077 4810	Cover:Harness:Duplex	1
7	B213 4793	Bracket:Link	1
8	5447 2681	Snap Ring	1
9	B082 4852	Decal:Duplex	1
10	B077 4720	Inner Cover:Duplex Unit:Front	1
11	B004 4645	Guide Plate - Middle	1
12	B213 5843	Screw:Inner Cover:Joint Unit	1
13	B077 4730	Inner Cover:Duplex Unit:Rear	1
14	B004 4851	Decal - Jam Removal	1
15	A232 4653	Pressure Plate - Guide Plate	2
16	AA06 3303	Pressure Spring	4
17	AA08 0034	Bushing - 4x5x7	4
18	AF02 0653	Roller:Driven	2
19	AA16 1126	Exchange Pawl Cushion	1
20	A232 4647	Driven Guide Plate	1
21	AF02 5044	Exchange Pawl	1
22	AA06 0709	Tension Spring	1
23	B082 4853	Decal:Duplex Unit:Upper	1
24	B077 4701	Cover:Duplex Unit	1
25	AG07 0515	Magnet Catch:13n	2
26	B004 5842	Gasket - Duplex Unit	1

Index No.	Part No.	Description	Q'ty Per Assembly
101	0451 3008N	Tapping Screw - M3x8	
102	0450 3008N	Tapping Screw - M3x8	
103	0451 3006N	Tapping Screw - 3x6	
104	0451 4010N	Tapping Screw:4x10	

19.DUPLEX UNIT 2 (G147)

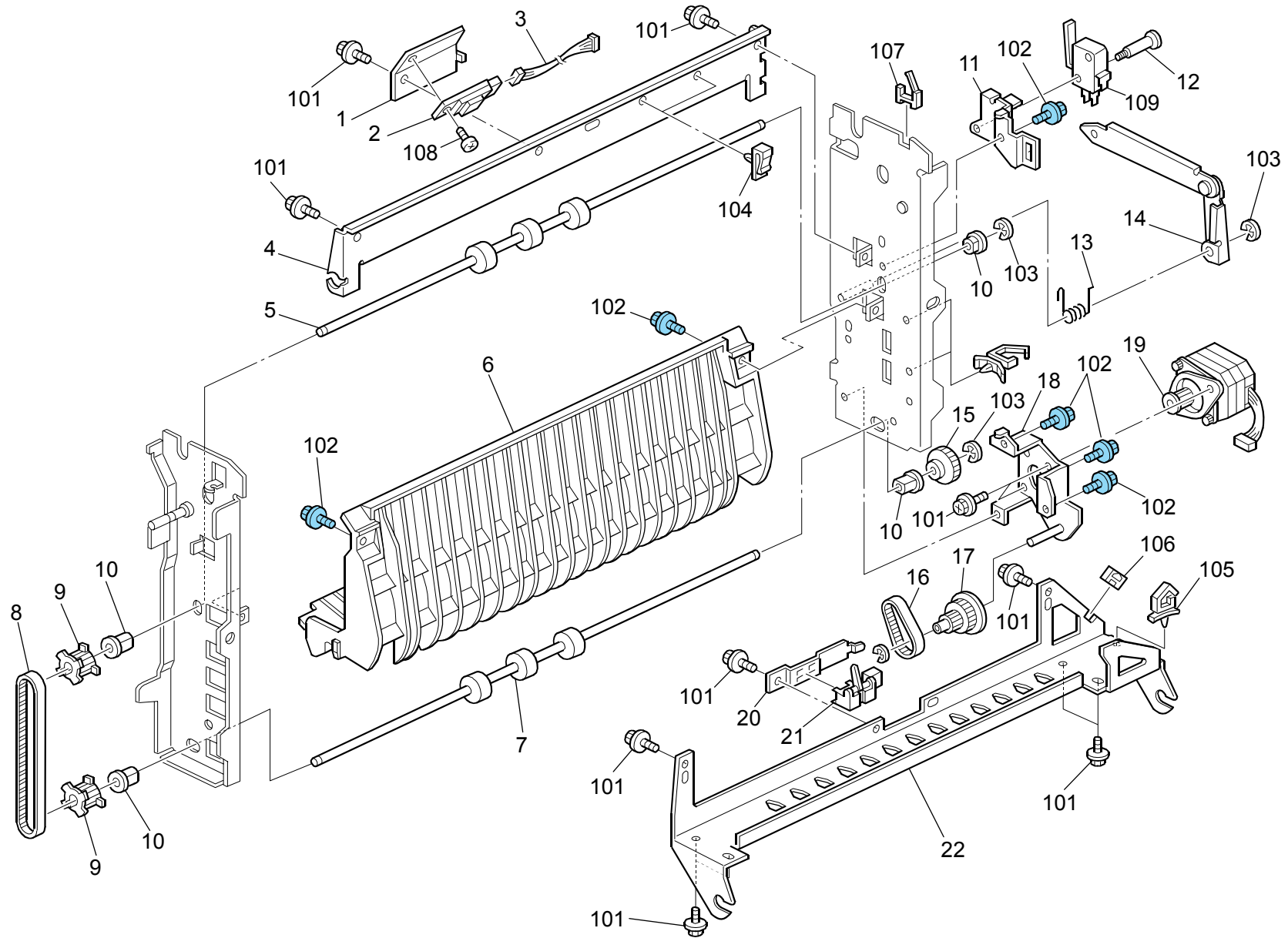


19.DUPLEX UNIT 2 (G147)

Index No.	Part No.	Description	Q'ty Per Assembly
1	A232 4685	Hook - Unit Release	1
2	AA06 6152	Tension Spring	1
3	B077 4763	Bracket:Entrance Sensor	1
4	AW01 0117	Paper Feed Sensor	1
5	AA16 2080	Cushion:Duplex Unit	1
6	AA06 0839	Pressure Spring - Driven	2
7	AA08 0307	Bushing - M4	2
8	AF02 0652	Reverse Roller:Driven	1
9	B077 4634	Guide Plate:Reverse:Peen	1
10	B077 4684	Grip:Un Lock	1
11	AA08 2074	Bushing - M8	4
12	B082 5461	Harness:Duplex Unit:Sensor	1
13	AF02 0659	Reverse Roller	2
14	B082 5460	Harness:Duplex Unit	1
15	B213 4690	Link:DC Solenoid:Ass'y	1
16	AB01 4161	Reverse Roller Gear	2
17	AA04 3443	Timing Belt - S2M 140	2
18	AB03 0670	Gear - 24Z	1
19	AB01 4162	Gear - 46Z	1
20	B213 4666	Bracket:Stepper Motor:Reverse	1
21	B213 4664	Stepper Motor:Duplex:Sub-ass'y	1
22	B077 4800	Bracket:Base	1
23	B213 5140	PCB:Duplex Unit	1

Index No.	Part No.	Description	Q'ty Per Assembly
101	0353 0120N	Screw M3x12	
102	0720 0030E	Retaining Ring - M3	
103	1204 2466	Micro Switch - V-16506-1c25	
104	0451 3006N	Tapping Screw - 3x6	
105	0720 0060E	Retaining Ring - M6	
106	1105 0460	Clamp	
107	0454 3006Q	Tapping Screw - M3x6	
108	0720 0040E	Retaining Ring - M4	

20.DUPLEX UNIT 3 (G147)

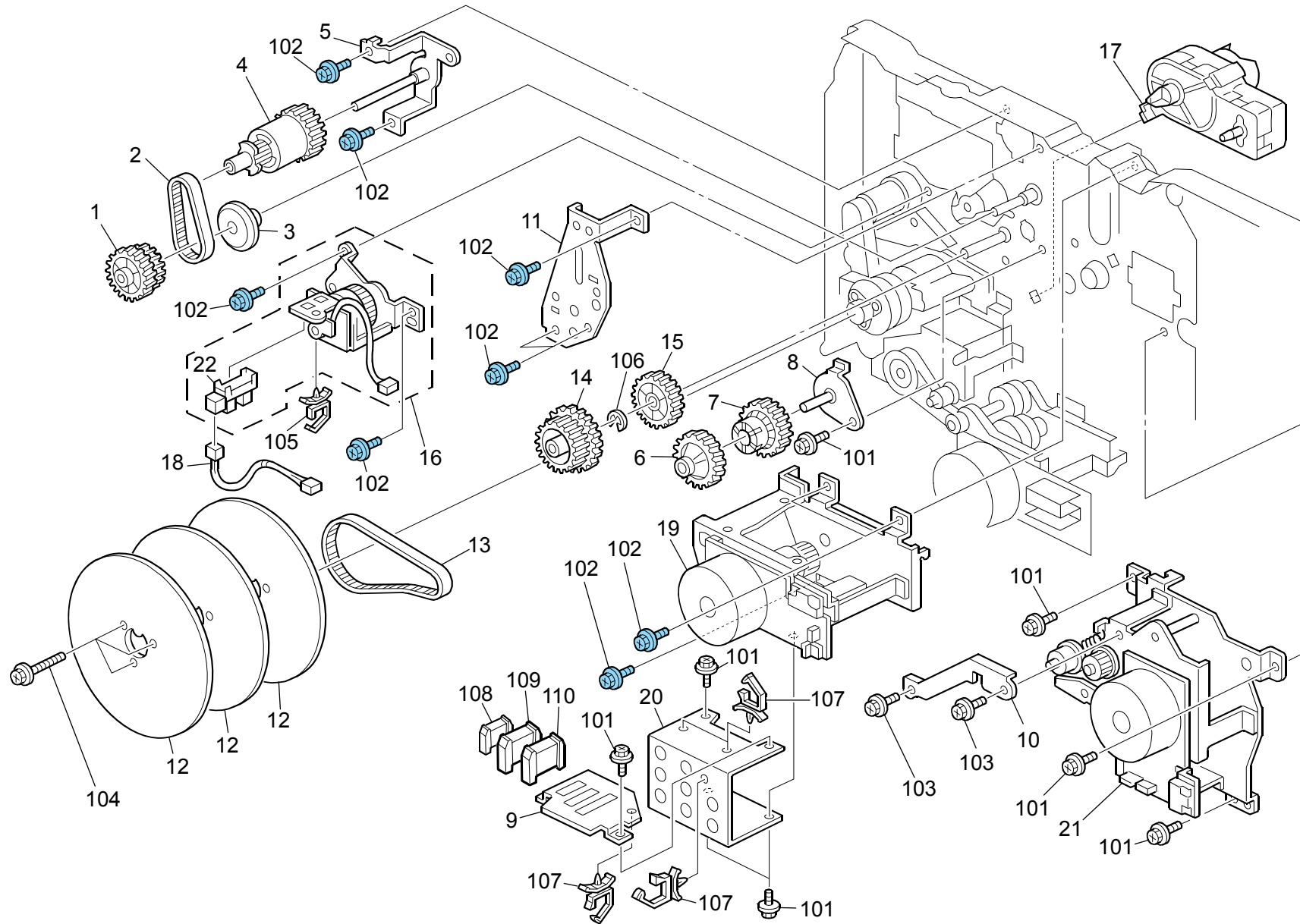


20.DUPLEX UNIT 3 (G147)

Index No.	Part No.	Description	Q'ty Per Assembly
1	B077 4795	Bracket:Sensor	1
2	AW01 0106	Paper Feed Sensor	1
3	B082 5462	Harness:Duplex Unit:Sensor	1
4	B077 4796	Stay:Middle	1
5	AF02 0654	Transport Roller:Middle	1
6	B004 4622	Guide Plate - Right Lower	1
7	AF02 0510	Exit Transport Roller	1
8	AA04 3444	Timing Belt - S2M 350	1
9	AB03 0474	Pulley - 24T	2
10	AA08 2075	Bushing - M6	4
11	B077 4697	Bracket:Micro Switch:Ass'y	1
12	AA14 3561	Screw - MM3:M2.5	1
13	AA06 6335	Torsion Spring	1
14	B213 4790	Link:Duplex	1
15	AB01 1088	Gear - 30Z	1
16	AA04 3443	Timing Belt - S2M 140	1
17	AB03 0671	Gear Pulley - Transport	1
18	B213 4678	Bracket:Stepper Motor:Paper Feed	1
19	B213 4664	Stepper Motor:Duplex:Sub-ass'y	1
20	B077 4757	Bracket:Sensor:Paper Feed	1
21	AW02 0158	Paper Feed Sensor	1
22	B077 4630	Stay:Lower	1

Index No.	Part No.	Description	Q'ty Per Assembly
101	0451 3006N	Tapping Screw - 3x6	
102	0454 3006Q	Tapping Screw - M3x6	
103	0720 0040E	Retaining Ring - M4	
104	1105 0283	Clamp	
105	1105 0291	Harness Clamp - LWS-3S	
106	1105 0328	Harness Clamp - ES-0505	
107	1105 0322	Clamp - ES-0510	
108	0313 0060N	Screw - M3X6	
109	1204 2466	Micro Switch - V-16506-1c25	

21.DRIVE SECTION 1 (G147)

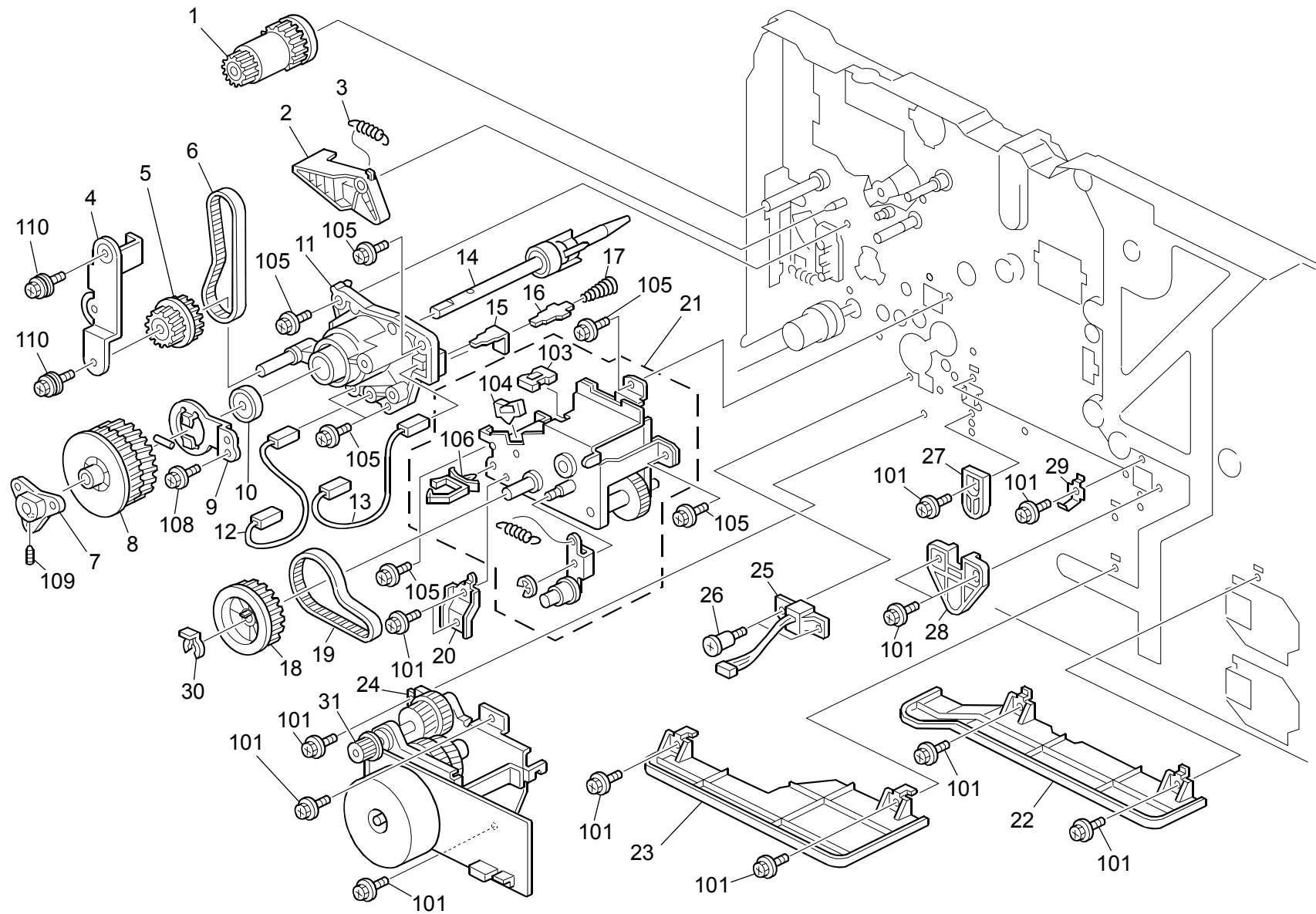


21.DRIVE SECTION 1 (G147)

Index No.	Part No.	Description	Q'ty Per Assembly
1	AB03 0716	Gear - 32Z/29T	1
2	AA04 3571	Timing Belt - S3m - 180	1
3	G065 1143	Bushing - M34	1
4	AB03 0717	Gear - 30Z/18T	1
5	B213 1135	Bracket:Belt:Positioning	1
6	AB01 4237	Gear:Fusing Drive Sub-unit:NO.1	1
7	AB01 4238	Gear:Fusing Drive Sub-unit:NO.2	1
8	B213 1134	Bracket:Fusing Drive Sub-unit	1
9	B082 5864	Bracket:Harness:Joint Unit	1
10	B213 1156	Bracket:Opc Drum:Plate	1
11	B082 1158	Bracket:Belt:Plate	1
12	B213 1189	Fly Wheel:Dia160	3
13	AA04 3553	Timing Belt-b60s2m316	1
14	AB01 4222	Gear - 33Z/30T	1
15	AB01 4223	Gear - 30Z	1
16	AX21 0093	Spring Clutch:On-off	1
17	AX05 0168	DC Motor - Toner Bottle	1
18	B082 5437	Harness:Sensor:On-off:Connecting	1
19	AX06 0331	Brushless Motor:Fusing/paper Exit U	1
20	B077 1126	Bracket:Harness	1
21	AX06 0330	Brushless Motor:Main:Ass'y	1
22	AW02 0159	Photointerruptor:Spring Clutch	1

Index No.	Part No.	Description	Q'ty Per Assembly
101	0451 3006N	Tapping Screw - 3x6	
102	0454 3006Q	Tapping Screw - M3x6	
103	0451 3008N	Tapping Screw - M3x8	
104	0451 3014N	Tapping Screw:3x14	
105	1105 0229	Clamp	
106	0720 0060E	Retaining Ring - M6	
107	1105 0487	Harness Clamp	
108	1102 6943	Relay Connector -10p	
109	1102 6266	Relay Connector - 9P	
110	1102 6256	Relay Connector - 13P	

22.DRIVE SECTION 2 (G147)

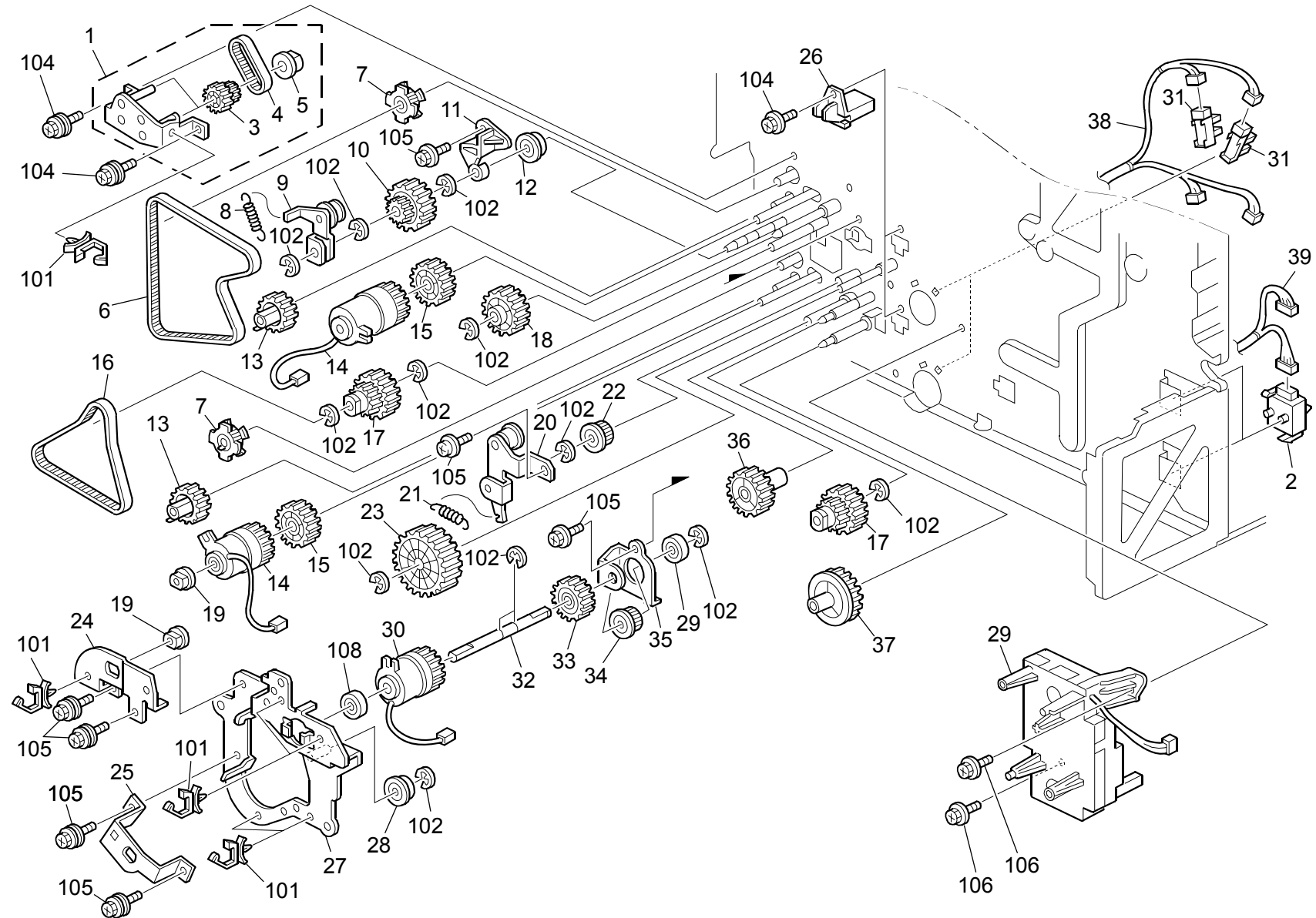


22.DRIVE SECTION 2 (G147)

Index No.	Part No.	Description	Q'ty Per Assembly
1	AB03 0715	Timing Pulley - Transfer Unit	1
2	A232 2372	Lock Lever - Transfer Unit	1
3	AA06 2317	Tension Spring	1
4	B213 1148	Bracket:Transfer Drive	1
5	AB03 0714	Timing Pulley - 32Z/52T	1
6	AA04 3570	Timing Belt - B60S2M240	1
7	G065 1128	Flange - Fly Wheel	1
8	G065 1122	Timing Pulley - 58Z/79T	1
9	B213 1146	Bracket:Holder:OPC Drum	1
10	G060 1147	Ball Bearing - 8x22x7	1
11	G065 1125	Drum Holder	1
12	B213 2383	High Voltage Line:Development Bias	1
13	B213 2381	High Voltage Line:Charge	1
14	B213 1144	Drum Shaft	1
15	A232 2380	Terminal Plate - Change Roller	1
16	A232 2382	Terminal Plate - Development Bias	1
17	B082 1135	Spring:Bias	1
18	B079 1144	Timing Pulley:Paddle	1
19	AA04 3551	Timing Belt - B50S3M213UG	1
20	B077 1140	Supporting Plate:Developmen:Unit	1
21	B213 1136	Development Drive Unit	1
22	B004 1321	Shield Plate - BICU	1
23	B004 1322	Shield Plate - DC Motor	1
24	AX06 0332	Brushless Motor:Paper Feed:Developm	1
25	G147 5454	Harness:DC:Development:Drawer	1
26	AA14 3567	Screw - M3	1
27	B004 1938	Holder - Optical Housing Unit	1
28	B004 1939	Holder - Optical Housing Unit	1
29	B004 1936	Plate - Optical Housing Unit	2
30	B213 1129	Grip Rings:Dia6	1
31	B213 1128	Timing Pulley:Connecting:Paddle:T16	1

Index No.	Part No.	Description	Q'ty Per Assembly
101	0451 3006N	Tapping Screw - 3x6	
102	0720 0060E	Retaining Ring - M6	
103	1105 0329	Clamp - ES-0510	
104	1105 0349	Edge Saddle	
105	0451 3008N	Tapping Screw - M3x8	
106	1105 0460	Clamp	
107	0727 0080E	Retaining Ring - M8	
108	0450 3008N	Tapping Screw - M3x8	
109	0534 0050E	Headless Screw - M4x5	
110	0633 0140G	Parallel Pin - 3x14	
111	0802 5299	Tapping Screw - M3x8	

23.DRIVE SECTION 3 (G147)

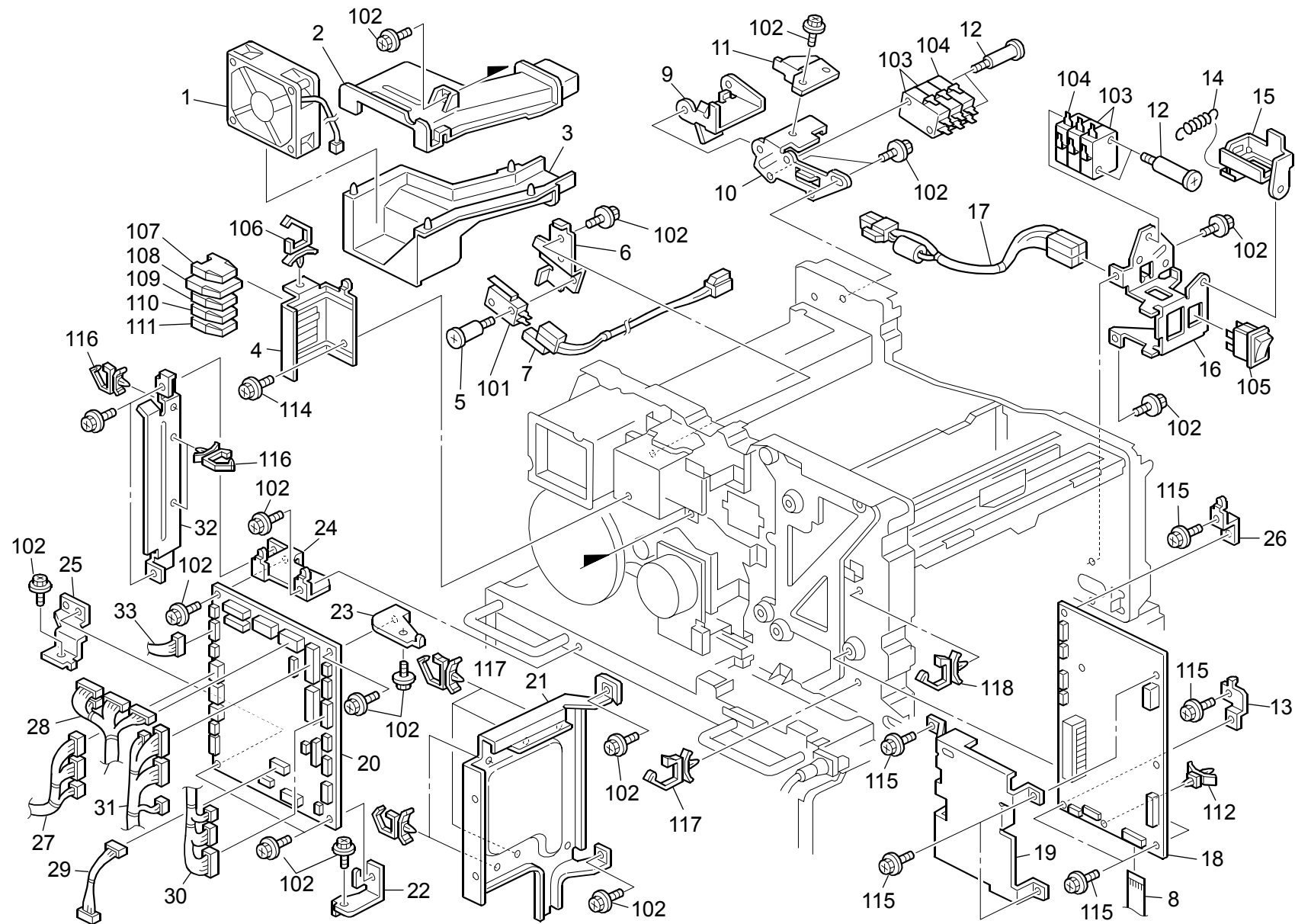


23.DRIVE SECTION 3 (G147)

Index No.	Part No.	Description	Q'ty Per Assembly
1	B213 1155	Bracket:Timing Pulley:Registration	1
2	G020 2620	Push Switch - Paper Size	2
3	AB03 0669	Timing Pulley - Registration	2
4	AA04 3554	Timing Belt - B60S3M129	1
5	B004 1167	Flange - 24mm	2
6	AA04 3445	Timing Belt - S3M-360	1
7	AB03 0625	Timing Pulley - 20Z	2
8	AA06 0694	Tension Spring	1
9	B213 1149	Tightener:Paper Feed	1
10	AB03 0562	Timing Pulley - 31Z/20T	1
11	B004 1177	Spacer - By-pass Feed	1
12	AB03 0634	Pulley	1
13	AB01 4038	Gear - 22Z	1
14	AX20 0281	Magnetic Clutch:0.5n.o70m:28z	2
15	AB01 4219	Gear - 24Z	2
16	AA04 3446	Timing Belt - S3M-312	1
17	AB03 0561	Timing Pulley - 31Z/20T	2
18	AB01 4160	Idler Gear-registration	1
19	GA08 0002	Bushing - 6mm	1
20	B213 1151	Tightener:Middle	1
21	AA06 0695	Tension Spring	1
22	AB03 0567	Timing Pulley - 18T	1
23	AB01 4159	Gear - 49Z	1
24	B077 1172	Guide Plate:Upper	1
25	B077 1182	Guide Plate:Lower	1
26	A232 2996	Rear Positioning Guide	1
27	B213 1153	Bracket:Protect	1
28	B082 1177	Pulley:MM17	1
29	AX04 0143	Rise Motor D - 1.92w	1
30	AX20 0280	Magnetic Clutch:0.5n.m:28z	1
31	AW02 0145	Photointerruptor:Flat	2
32	AA14 9979	Shaft:Middle	1
33	AB01 4164	Gear - 28T	1
34	AB03 0566	Timing Pulley - 20T	1
35	B077 1174	Bracket:Middle	1

Index No.	Part No.	Description	Q'ty Per Assembly
36	AB01 4039	Gear - 31Z	1
37	AB01 4040	Gear - 29Z	1
38	B082 5465	Harness:Paper Feed:Sensor	1
39	B082 5455	Harness:Paper Size Sensor	1
101	1105 0511	Harness Clamp - LWS-0306ZC	
102	0720 0060E	Retaining Ring - M6	
103	1105 0267	Harness Clamp - YMC-10-0	
104	0451 3006N	Tapping Screw - 3x6	
105	0802 5299	Tapping Screw - M3x8	
106	0451 3008N	Tapping Screw - M3x8	
107	0450 3008N	Tapping Screw - M3x8	
108	0740 3008	Ball Bearing - 8x22x7	

24.ELECTRICAL SECTION 1 (G147)

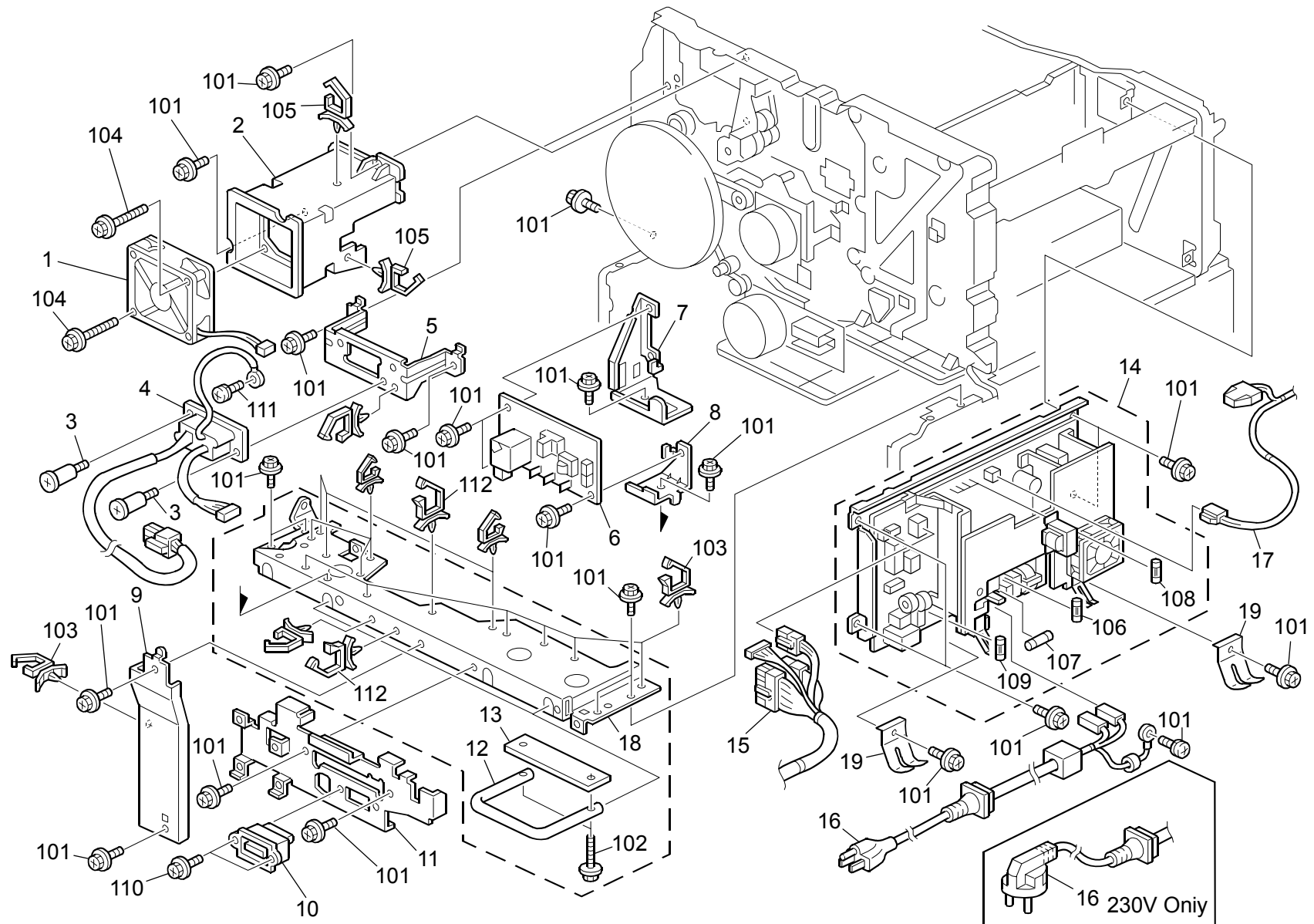


24.ELECTRICAL SECTION 1 (G147)

Index No.	Part No.	Description	Q'ty Per Assembly
1	AX64 0167	Fan Motor DC24V/2.40W	1
2	G065 1171	Upper Dust	1
3	G065 1170	Lower Dust	1
4	B077 5825	Bracket:Connector:Harness	1
5	AA14 3561	Screw - MM3:M2.5	1
6	G147 1071	Bracket:Micro Switch:Ass'y	1
7	G147 5521	Harness:DC:Joint Unit:Safety Switch	1
8	B213 5426	Harness:BICU:IOB	1
9	B077 5861	Lever:Safety Switch	1
10	B077 5860	Bracket:Safety Switch	1
11	B077 5862	Cover:Lever	1
12	AA14 3512	Stepped Screw - M2.5	4
13	B082 1084	Bracket:BICU:Right Lower	1
14	AA06 0713	Tension Spring	1
15	B077 5865	Lever:Safety Switch:Front	1
16	B077 5866	Bracket:Safety Switch	1
17	B213 5606	Harness:AC:SW	1
18	G147 5065	PCB:BICU	1
19	B213 5846	Shading Plate:BICU	1
20	G147 5155	PCB:IOB	1
21	B082 5880	Bracket:Rack:Application:Ass'y	1
22	B082 5833	Bracket:I/O Board:Left Lower	1
23	B082 5832	Bracket:I/O Board:Left Upper	1
24	B082 5836	Bracket:I/O Board:Right Upper	1
25	B082 5837	Bracket:I/O Board:Right Lower	1
26	B082 1083	Bracket:BICU:Right Upper	1
27	B082 5426	Harness:Paper Feed:Main	1
28	B213 5468	Harness:DC:Lower	1
29	G147 5411	Harness:Bank:Connecting	1
30	B213 5469	Harness:DC:Upper Front	1
31	G147 5464	Harness:DC:Main:Upper	1
32	B082 5839	Bracket:Harness:Paper Feed	1
33	B082 5430	Harness:Paper Feed Unit:No.1	1

Index No.	Part No.	Description	Q'ty Per Assembly
101	1204 2466	Micro Switch - V-16506-1c25	
102	0451 3006N	Tapping Screw - 3x6	
103	1204 2521	Micro Switch	
104	1204 2529	Switch - V-5F912DN	
105	1204 2608	Rocker Switch:Sddje33900	
106	1105 0516	Clamp	
107	1102 6246	Relay Connector - 4P	
108	1102 6263	Connector - 6P	
109	1102 6260	Relay Connector - 3P	
110	1102 6245	Relay Connector - 2P	
111	1102 6259	Connector - 2P	
112	1105 0192	Locking Support	
113	1105 0437	Locking Support - Fgs-4s	
114	0451 3006N	Tapping Screw - 3x6	
115	0451 3008N	Tapping Screw - M3x8	
116	1105 0511	Harness Clamp - LWS-0306ZC	
117	1105 0488	Harness Clamp	
118	1105 0487	Harness Clamp	

25.ELECTRICAL SECTION 2 (G147)

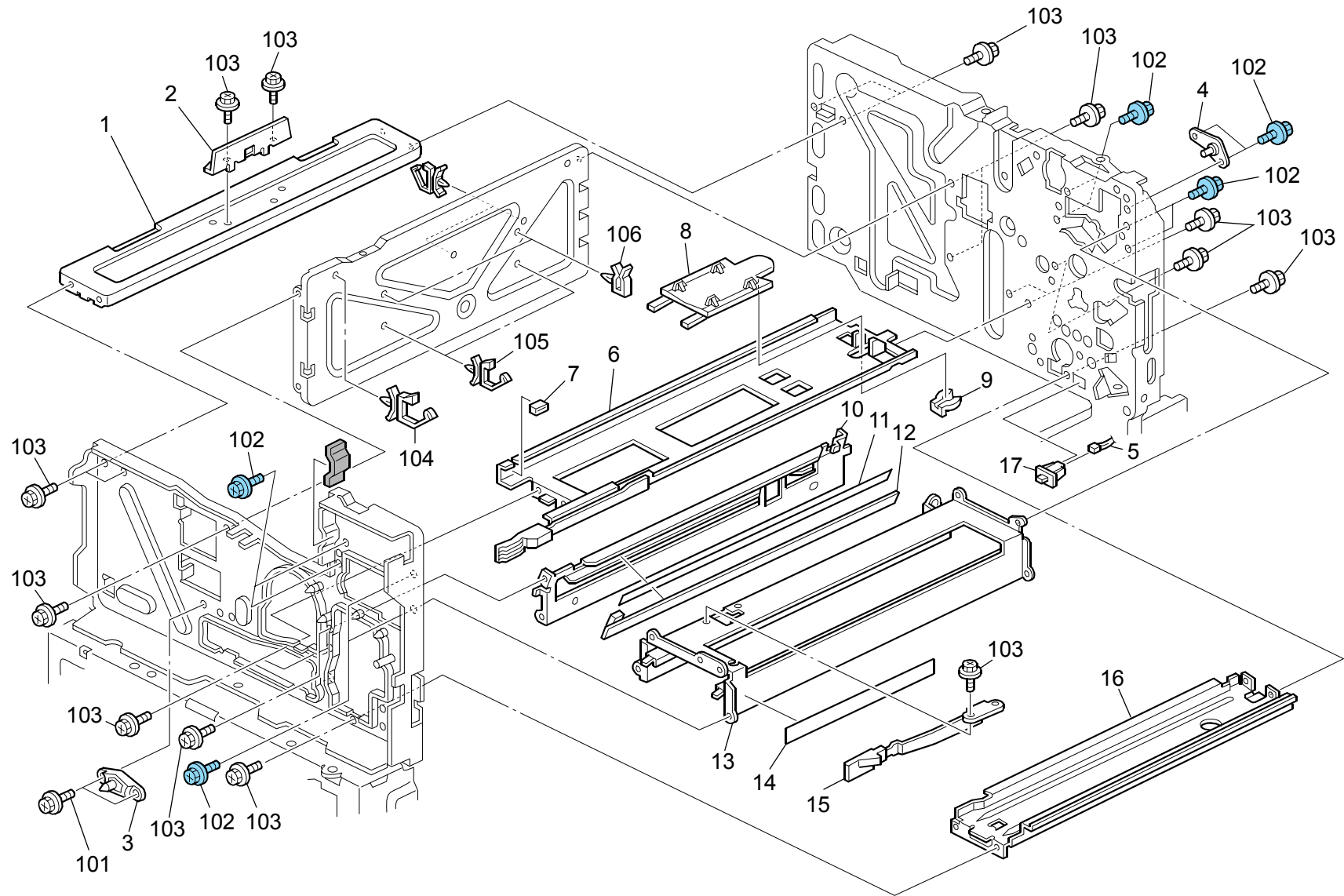


25.ELECTRICAL SECTION 2 (G147)

Index No.	Part No.	Description	Q'ty Per Assembly
1	AX64 0167	Fan Motor DC24V/2.40W	1
2	A232 1172	Duct - Cooling Fan	1
3	AA14 3301	Stepped Screw - M3x4	2
4	B213 5609	Harness:Fusing Unit (120V)	1
4	B213 5608	Harness:Fusing Unit (230V)	1
5	B077 1054	Bracket:Connector:Fusing	1
6	AZ32 0145	Power Pack:CBT	1
7	B077 5812	Bracket:Power Pack:Right	1
8	B077 5811	Bracket:Power Pack:Left	1
9	B198 1093	Stay:Machine Or Copier:Lengthwise:R	1
10	A232 5410	Finisher Connector	1
11	B082 5841	Bracket:Power Supply Cord	1
12	B198 1077	Grip:Rear	1
13	B213 1078	Spacer:Grip:Rear	1
14	AZ23 0186	Power Supply Unit:285W (120V)	1
14	AZ23 0187	Power Supply Unit - 285W (230V)	1
15	B213 5521	Harness:DC:DC Power Supply	1
16	B213 5602	Power Supply Cord:EU	1
16	B213 5604	Power Supply Cord:NA	1
17	G147 5523	Harness:DC:Safety Switch	1
18	B082 1076	Stay:Machine Or Copier:Rear	1
19	G034 5820	Spring Plate - Power Supply Unit	2

Index No.	Part No.	Description	Q'ty Per Assembly
101	0451 3006N	Tapping Screw - 3x6	
102	0360 4014N	Screw - M4X14	
103	1105 0488	Harness Clamp	
104	0450 4035N	Tapping Screw:4x35	
105	1105 0310	Harness Clamp - LWS-1S	
106	1107 0652	Fuse:10A:125V	
106	1107 1053	Fuse:HT-5A-N5(230V)	
107	1107 0629	Fuse:15A:125V	
107	1107 1084	Fuse(230V)	
108	1107 0392	Fuse:6.3A:125V	
108	1107 1067	Fuse:ET-6.3A(230V)	
109	1107 0388	Fuse:2A:125V	
109	1107 1061	Fuse(230V)	
110	0451 3008N	Tapping Screw - M3x8	
111	0801 0149	Philips Pan Head Screw - M4x6	
112	1105 0489	Harness Clamp - LWS 1316	

26.FRAME SECTION 1 (G147)

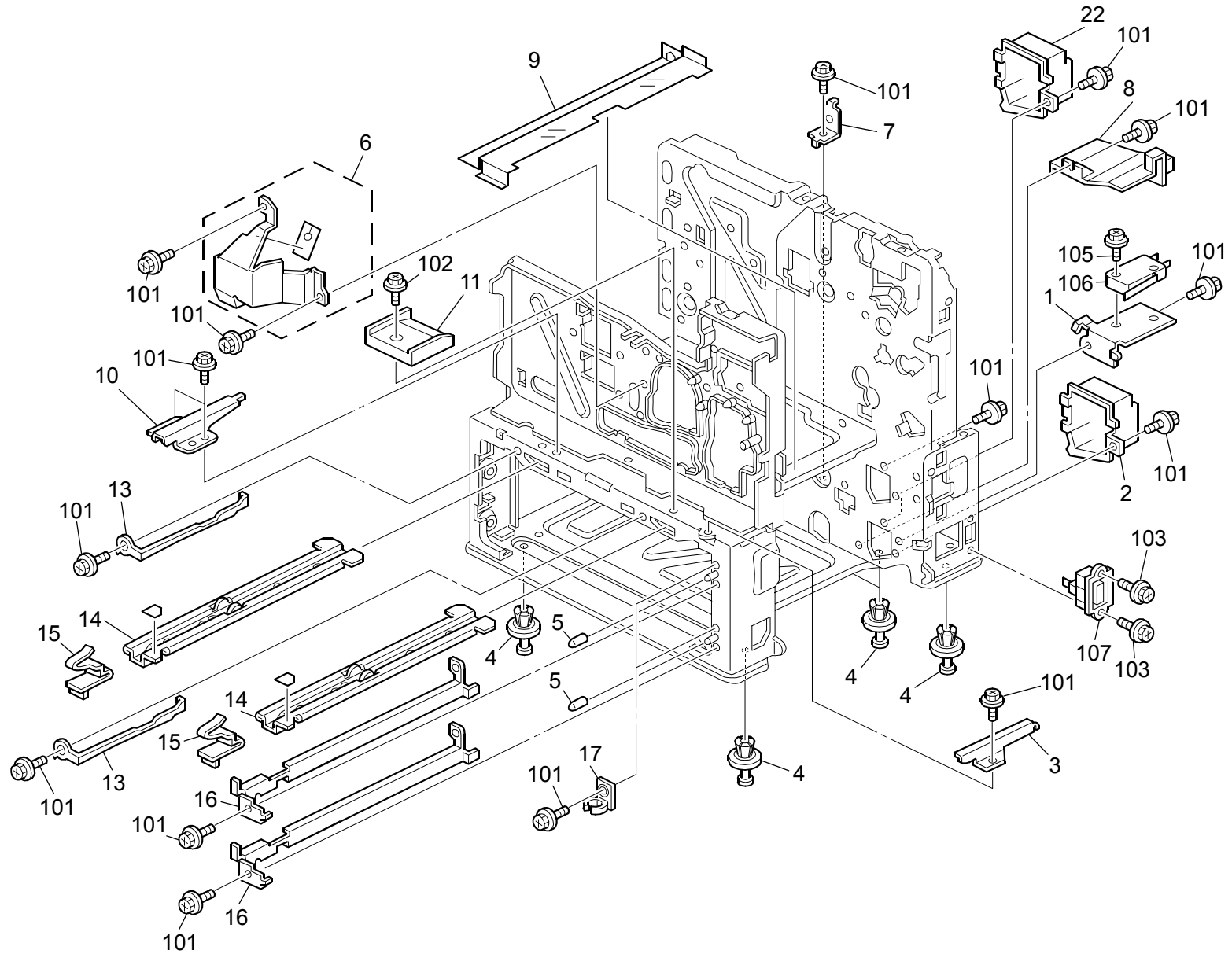


26.FRAME SECTION 1 (G147)

Index No.	Part No.	Description	Q'ty Per Assembly
1	B077 1066	Stay:Paper Exit Sub-unit:Left	1
2	B077 1067	Bracket:Plate:Joint Unit	1
3	A232 1937	Positioning Pin - Laser Unit Ass'y	1
4	B077 1051	Bracket:Shaft:Stopper:Ass'y	1
5	G147 5467	Harness:New Article Sensor	1
6	B077 3210	Guide:Toner Supply Unit:Ass'y	1
7	A232 3264	Stopper - Slide Rail	1
8	B004 3215	Toner Bottle Holder	1
9	5206 2686	Snap Ring	1
10	B082 2362	Stay:Around The Photoconductor	1
11	B082 2363	Magnet - Discharge Lamp	1
12	AX50 0092	LED Array:QL	1
13	B077 1071	Supporter:Fusing Unit:Welding	1
14	B213 4122	Decal:Warning (high Temperature)	1
15	A232 4201	Stopper - Fusing Unit	1
16	B077 1078	Supporter:Development Unit	1
17	G020 5626	Push Switch	1

Index No.	Part No.	Description	Q'ty Per Assembly
101	0451 3008N	Tapping Screw - M3x8	
102	0454 3006Q	Tapping Screw - M3x6	
103	0451 3006N	Tapping Screw - 3x6	
104	1105 0487	Harness Clamp	
105	1105 0516	Clamp	
106	1105 0267	Harness Clamp - YMC-10-0	

27.FRAME SECTION 2 (G147)

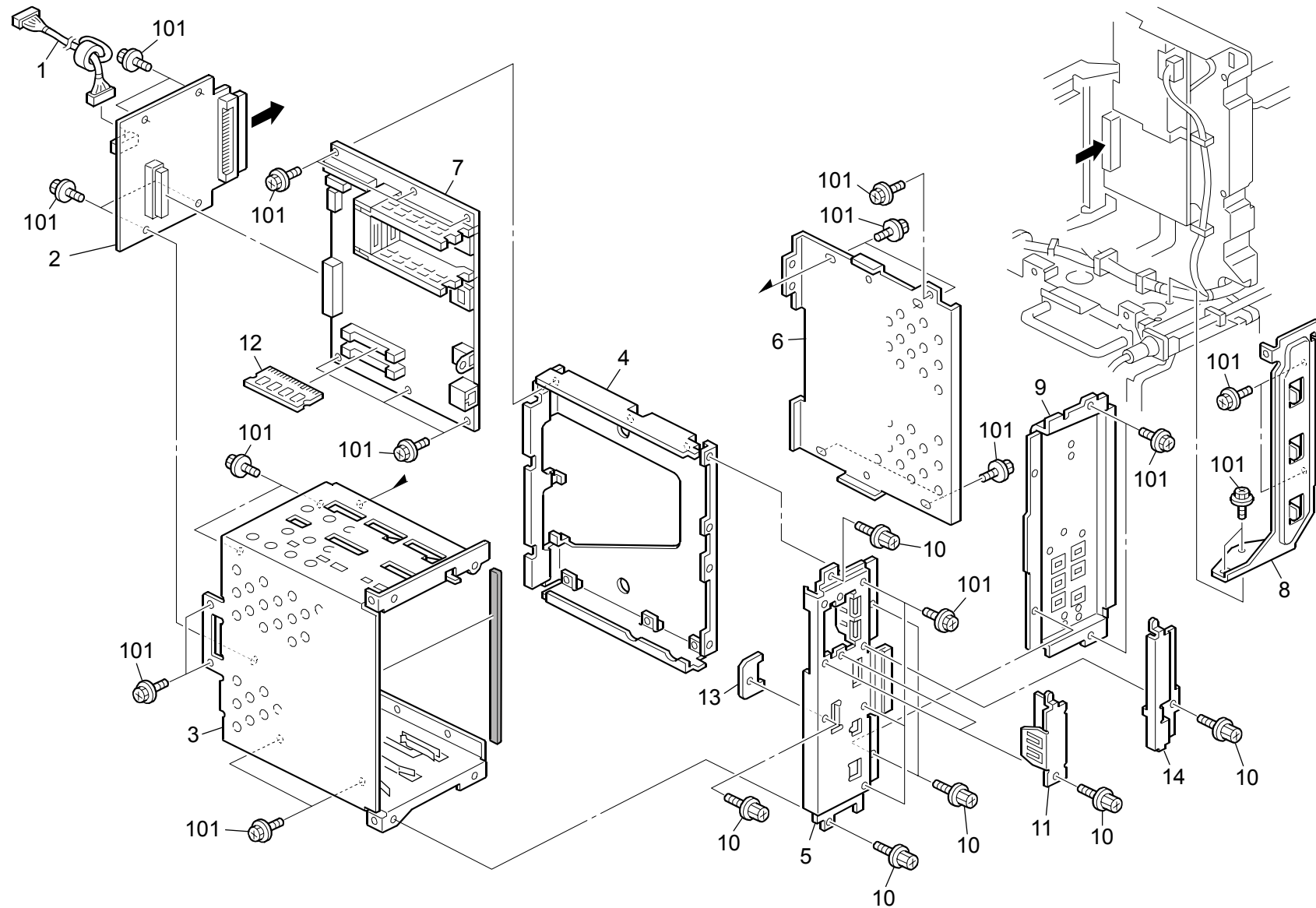


27.FRAME SECTION 2 (G147)

Index No.	Part No.	Description	Q'ty Per Assembly
1	B077 2882	Bracket:Micro Switch	1
2	A232 2692	Cover - Paper Drive	2
3	B213 1267	Bracket:Hinge:Right	1
4	B101 1097	Rubber Foot:H5	4
5	B004 2995	Cap - Positioning	2
6	B213 1968	Shading Plate	1
7	B077 1053	Bracket:Stay:Lengthwise:Rear	1
8	B004 1320	Base Cover	1
9	B004 2597	Sheet - Separation Plate	1
10	B077 1266	Bracket:Hinge:Left	1
11	G065 3275	Guide - Development Unit	1
13	B077 1023	Stopper:Grip	2
14	B077 1021	Grip:Adhesion	2
15	A230 2693	Front Stopper	2
16	B213 2990	Supporter:Paper Tray	2
17	A232 2995	Front Positioning Guide	1

Index No.	Part No.	Description	Q'ty Per Assembly
101	0451 3006N	Tapping Screw - 3x6	
102	0451 3005P	Tapping Screw - M3x5	
103	0451 3008H	Tapping Screw - M3x8	
104	0801 0149	Philips Pan Head Screw - M4x6	
105	0451 3014N	Tapping Screw:3x14	
106	1204 2529	Switch - V-5F912DN	
107	1102 8504	Connector	

28.EXPANSION BOX/HDD (G147)



28.EXPANSION BOX/HDD (G147)

Index No.	Part No.	Description	Q'ty Per Assembly
1	G147 5470	Harness:Operation Panel	1
2	G147 5180	PCB:MB	1
3	B213 5871	Rack:Application	1
4	B213 5852	Bracket:Control Board:Printer	1
5	B213 5851	Panel:Control Board	1
6	B213 5876	Stay:Rack	1
7	G147 5106	PCB:Control Board	1
8	B077 1055	Guide Plate:Arm:Scanner Unit	1
9	B198 5886	Panel:Fax	1
10	B234 2399	Bolt - M3x6	8
11	B198 5893	Cover:RIO	1
12	B584 5040	PCB DDR-DIMM(128Mb)	1
13	B213 5857	Cover:Bracket:HDD	1
14	B198 5894	Cover:SD	1

Index No.	Part No.	Description	Q'ty Per Assembly
101	0451 3006N	Tapping Screw - 3x6	

29.IOB BOARD (G147)

CAPACITOR

SYMBOL NO.	INDEX NO.	SYMBOL NO.	INDEX NO.	SYMBOL NO.	INDEX NO.	SYMBOL NO.	INDEX NO.	SYMBOL NO.	INDEX NO.	SYMBOL NO.	INDEX NO.	SYMBOL NO.	INDEX NO.
C101	209	C111	208	C121	209	C131	209	C141	210	C151	210	C161	209
C102	209	C112	208	C122	209	C132	209	C142	201	C152	206	C162	209
C103	209	C113	210	C123	209	C133	210	C143	202	C153	206	C163	209
C104	209	C114	209	C124	161	C134	206	C144	162	C154	210	C164	209
C105	209	C115	209	C125	161	C135	157	C145	210	C155	210	C165	210
C106	209	C116	169	C126	209	C136	209	C146	209	C156	209	---	---
C107	209	C117	210	C127	209	C137	204	C147	209	C157	209	C167	209
C108	209	C118	209	C128	209	C138	210	C148	209	C158	209	C168	209
C109	209	C119	160	C129	160	C139	207	C149	209	C159	209	C169	209
C110	208	C120	209	C130	210	C140	206	C150	209	C160	209	C170	209

CAPACITOR

SYMBOL NO.	INDEX NO.	SYMBOL NO.	INDEX NO.	SYMBOL NO.	INDEX NO.	SYMBOL NO.	INDEX NO.	SYMBOL NO.	INDEX NO.	SYMBOL NO.	INDEX NO.	SYMBOL NO.	INDEX NO.
C171	168	C181	157	C191	206	C201	209	C211	209	C221	203	C231	210
C172	208	C182	210	C192	210	C202	167	C212	210	C222	203	C232	203
C173	205	C183	210	C193	161	C203	169	C213	203	C223	203	C233	203
C174	209	C184	170	C194	162	C204	209	C214	210	C224	203	C234	203
C175	209	C185	205	C195	206	C205	209	C215	203	C225	160	C235	203
C176	157	C186	157	C196	210	C206	210	C216	203	C226	161	C236	203
C177	157	C187	161	C197	203	C207	209	C217	203	C227	203	C237	157
C178	210	C188	159	C198	209	C208	203	C218	203	C228	203	C238	157
C179	157	C189	203	C199	166	C209	203	C219	203	C229	206	C239	210
C180	157	C190	203	C200	166	C210	210	C220	203	C230	210	C240	206

29.IOB BOARD (G147)

CAPACITOR

SYMBOL NO.	INDEX NO.	SYMBOL NO.	INDEX NO.	SYMBOL NO.	INDEX NO.	SYMBOL NO.	INDEX NO.	SYMBOL NO.	INDEX NO.	SYMBOL NO.	INDEX NO.	SYMBOL NO.	INDEX NO.
C211	209	C221	203	C231	210	C241	200	C251	206	C261	200	C271	209
C212	210	C222	203	C232	203	C242	206	C252	210	C262	200	C272	209
C213	203	C223	203	C233	203	C243	210	C253	210	C263	210	C273	209
C214	210	C224	203	C234	203	C244	209	C254	206	C264	209	C274	209
C215	203	C225	160	C235	203	C245	210	C255	161	C265	158	C275	209
C216	203	C226	161	C236	203	C246	206	C256	158	C266	209	C276	209
C217	203	C227	203	C237	157	C247	206	C257	210	C267	209	C277	209
C218	203	C228	203	C238	157	C248	210	C258	161	C268	209	C278	158
C219	203	C229	206	C239	210	C249	158	C259	200	C269	209	C279	209
C220	203	C230	210	C240	206	C250	210	C260	206	C270	209	C280	158

CAPACITOR

SYMBOL NO.	INDEX NO.
C281	157
C282	158
C283	209

CONNECTOR

SYMBOL NO.	INDEX NO.
CN201	103
CN202	119
CN203	107
CN204	117
CN205	118
CN206	122
CN207	104
CN208	109
CN209	108
---	---

SYMBOL NO.	INDEX NO.
---	---
CN212	102
CN213	114
CN214	107
CN215	111
CN216	120
CN217	116
CN218	115
CN219	103
CN220	112

SYMBOL NO.	INDEX NO.
CN221	111
CN222	113
CN223	110
CN224	116
CN225	115
CN226	106
CN227	101
CN228	105
CN229	121

DIODE

SYMBOL NO.	INDEX NO.
D101	130
D102	129
D103	129
D104	132
D105	132
D106	130
D107	132
D108	130
D109	130
D110	130

SYMBOL NO.	INDEX NO.
D111	130
D112	131
D113	131
---	---
---	---
D116	131
D117	131
D118	131
---	---
D120	131

SYMBOL NO.	INDEX NO.
D121	130
D122	130
D123	130
D124	130
D125	130
D126	130
D127	130
D128	130

29.IOB BOARD (G147)

FILTER

SYMBOL NO.	INDEX NO.
FI L101	163

FUSE

SYMBOL NO.	INDEX NO.
FU101	123

IC

SYMBOL NO.	INDEX NO.
I C101	136
I C102	139
I C103	139
I C104	150
I C105	139
I C106	147
I C107	149
I C108	150
I C109	137
I C110	139

SYMBOL NO.	INDEX NO.
I C111	137
I C112	146
I C113	145
I C114	142
I C115	147
I C116	138
I C117	143
I C118	141
I C119	148
I C120	143

OSC

SYMBOL NO.	INDEX NO.
OSC101	152

Q

SYMBOL NO.	INDEX NO.
Q101	126
Q102	128
Q103	126
Q104	125
Q105	127

RESISTOR

SYMBOL NO.	INDEX NO.
R101	176
R102	185
R103	187
R104	176
R105	187
R106	177
R107	193
R108	193
R109	194
R110	193

SYMBOL NO.	INDEX NO.
R111	177
R112	176
R113	176
R114	194
R115	193
R116	172
R117	176
R118	177
R119	176
R120	153

RESISTOR

SYMBOL NO.	INDEX NO.
R121	153
R122	176
R123	176
R124	194
R125	193
R126	193
R127	177
R128	176
R129	177
R130	176

SYMBOL NO.	INDEX NO.
R131	176
R132	177
R133	192
R134	176
R135	187
R136	184
R137	185
R138	176
R139	187
R140	184

SYMBOL NO.	INDEX NO.
R141	179
R142	187
R143	176
R144	176
R145	176
R146	177
R147	171
R148	176
R149	177
R150	176

SYMBOL NO.	INDEX NO.
R151	176
R152	177
R153	197
R154	182
R155	182
R156	177
R157	176
R158	176
R159	186
R160	197

SYMBOL NO.	INDEX NO.
R161	176
R162	177
R163	199
R164	198
R165	184
R166	176
R167	176
R168	186
R169	186
R170	177

SYMBOL NO.	INDEX NO.
R171	184
R172	188
---	---
R174	177
R175	177
---	---
R177	191
---	---
R179	176
R180	176

SYMBOL NO.	INDEX NO.
R181	177
R182	176
R183	177
R184	177
R185	177
R186	184
R187	184
R188	176
R189	176
R190	176

29.IOB BOARD (G147)

RESISTOR

SYMBOL NO.	INDEX NO.	SYMBOL NO.	INDEX NO.	SYMBOL NO.	INDEX NO.	SYMBOL NO.	INDEX NO.	SYMBOL NO.	INDEX NO.	SYMBOL NO.	INDEX NO.	SYMBOL NO.	INDEX NO.
R191	176	R201	177	R211	181	R221	175	R231	184	R241	186	R251	177
R192	177	R202	176	R212	180	R222	175	R232	174	R242	186	R252	176
R193	176	R203	176	R213	177	R223	177	R233	184	R243	186	R253	187
R194	176	R204	176	R214	177	R224	177	---	---	R244	176	R254	177
R195	176	R205	176	R215	175	R225	176	R235	174	R245	177	R255	190
R196	176	R206	177	R216	176	R226	176	R236	174	R246	177	R256	176
R197	177	R207	177	R217	176	R227	177	R237	177	R247	177	R257	177
R198	176	R208	177	R218	176	R228	184	R238	177	R248	176	---	---
R199	173	R209	184	R219	176	R229	176	R239	183	R249	177	---	---
R200	177	R210	177	R220	183	R230	184	---	---	R250	176	---	---

RESISTOR

SYMBOL NO.	INDEX NO.	SYMBOL NO.	INDEX NO.	SYMBOL NO.	INDEX NO.	SYMBOL NO.	INDEX NO.	SYMBOL NO.	INDEX NO.	SYMBOL NO.	INDEX NO.	SYMBOL NO.	INDEX NO.
---	---	R271	177	R281	176	R291	177	R301	177	R311	177	R321	177
---	---	R272	177	R282	177	R292	174	R302	177	R312	177	R322	177
---	---	R273	177	R283	177	R293	177	R303	175	R313	177	R323	177
---	---	R274	177	R284	175	R294	177	R304	176	R314	184	R324	177
---	---	R275	177	R285	176	R295	175	R305	176	R315	184	R325	177
R266	177	R276	177	R286	177	R296	175	R306	187	R316	184	R326	177
R267	177	R277	177	R287	177	R297	177	R307	185	R317	184	R327	177
R268	177	R278	177	R288	177	R298	184	R308	177	R318	177	R328	177
R269	177	R279	177	R289	177	R299	176	R309	177	R319	189	R329	177
R270	177	R280	192	R290	177	R300	174	R310	177	R320	177	R330	177

29.IOB BOARD (G147)

RESISTOR

SYMBOL NO.	INDEX NO.	SYMBOL NO.	INDEX NO.	SYMBOL NO.	INDEX NO.	SYMBOL NO.	INDEX NO.	SYMBOL NO.	INDEX NO.	SYMBOL NO.	INDEX NO.	SYMBOL NO.	INDEX NO.
R331	177	R341	177	R351	177	R361	177	R371	192	R381	176	R391	176
R332	176	R342	177	R352	177	R362	177	R372	177	R382	177	R392	184
R333	176	R343	177	R353	177	R363	177	R373	195	R383	177	R393	177
R334	177	R344	175	R354	177	R364	177	R374	196	R384	176	R394	177
R335	177	R345	177	R355	177	R365	177	R375	177	R385	177	R395	177
R336	177	R346	177	R356	177	R366	184	R376	187	R386	187	R396	176
R337	177	R347	177	R357	177	R367	177	R377	187	R387	177	R397	185
R338	177	R348	177	R358	177	R368	177	R378	176	R388	176	R398	185
R339	176	R349	177	R359	177	R369	196	R379	195	R389	176	R399	178
R340	177	R350	177	R360	177	R370	195	R380	195	R390	187	R400	177

RESISTOR

SYMBOL NO.	INDEX NO.
R401	177
R402	176
R403	184
R404	177
R405	176
R406	176
R407	176
R408	177
R409	177
R410	177

SYMBOL NO.	INDEX NO.
R411	176

REG

SYMBOL NO.	INDEX NO.
REG101	151

RN

SYMBOL NO.	INDEX NO.
RN101	155
RN102	154
RN103	154
RN104	156
RN105	164
RN106	155
RN107	164
RN108	164
RN109	154
RN110	165

SYMBOL NO.	INDEX NO.
RN111	165

SW

SYMBOL NO.	INDEX NO.
SM01	124

TH

SYMBOL NO.	INDEX NO.
TH101	135

ZD

SYMBOL NO.	INDEX NO.
ZD101	134
ZD102	134
ZD103	134
ZD104	134
ZD105	134
ZD106	133

29.IOB BOARD (G147)

Index No.	Part No.	Description	Q'ty Per Assembly
*	G147 5155	PCB:IOB	1

Index No.	Part No.	Description	Q'ty Per Assembly
101	1102 4201	Connector - 2P	
102	1102 5306	Connector - 7P	
103	1102 6295	Connector - 2P	
104	1102 6297	Connector - 4P	
105	1102 6298	Connector - 5P	
106	1102 6301	Connector - 8P	
107	1102 6302	Connector - 9P	
108	1102 6303	Connector - 10P	
109	1102 6305	Connector - 12P	
110	1102 6308	Connector - 15P	
111	1102 6309	Connector - 2P	
112	1102 6316	Connector - 9P	
113	1102 6321	Connector	
114	1102 6394	Connector - 12P	
115	1102 6396	Connector - 1P	
116	1102 6397	Box Header	
117	1102 6398	Connector - 2P	
118	1102 6401	Connector - 26P	
119	1102 6402	Connector - 2P	
120	1102 7244	Connector	
121	1102 7496	Connector	
122	1103 3179	Connector:FH12-50S-0.5SV(89)	
123	1109 0016	Circuit Protector - SMD075	
124	1204 1537	Dip Switch	
125	1400 0381	Transistor - 2SA1036KR	
126	1400 0775	Transistor - 2SC4081	
127	1400 0902	Transistor - DTA113ZUA	
128	1400 0918	Transistor - DTC123JUA	
129	1402 1322	Diode Array - DAN202U	
130	1402 1336	Diode - 1SS355	
131	1402 1343	Diode - RB106L-40	
132	1402 1584	Diode - DAN217U	
133	1402 1662	Diode:PTZ6.2B	
134	1402 1663	Diode - ZTP12B	
135	1404 0360	Thermistor - 103HT	

Index No.	Part No.	Description	Q'ty Per Assembly
136	1407 1535	IC - TD62308AP	
137	1407 2187	TTLIC - SN74LS07NS	
138	1407 2218	TTLIC - SN74LS06NS	
139	1407 2219	IC - TD62003AP	
140	1407 2231	IC - TD62308AF	
141	1407 5344	IC - SN74LV02APW	
142	1407 5347	IC - SN74LV08APW	
143	1407 5351	IC - SN74LV14APW	
144	1407 5469	IC - SN74LV07APW	
145	1407 6167	IC - EIO	
146	1407 6492	Clock Generator - ICS180M-51LF	
147	1408 1204	IC - TA8083P	
148	1408 1779	IC - R3112Q281A	
149	1408 2029	Comparator:LM2901PW	
150	1408 2030	Operational Amplifier - LM224D	
151	1408 2122	Series Regulator - R1130H331A-FB	
152	1503 1004	Oscillator - 19.6608Mhz	
153	1601 5477	Resistor - 330Ω ±5% 1W	
154	1601 7887	Resistor Array - 10K Ω ±5% 1/32W	
155	1601 7898	Resistor Array	
156	1601 7983	Resistor Array:2.2kΩ:±5%:1/16W	
157	1605 1137	Capacitor - 470pF ±10% 50V	
158	1605 1225	Capacitor - 0.1μF±10% 50V	
159	1605 1281	Capacitor - 0.22μF±10% 16V	
160	1605 1294	Resistor - 1000pF ±5% 50V	
161	1605 1353	Capacitor - 0.1μF±10% 25V	
162	1605 1489	Resistor - 2.2μF±10% 25V	
163	1607 1315	Filter - BK1608HS600	
164	1609 0005	Resistor:33 Ω:±5%:1/16W	
165	1609 0006	Resistor:10k Ω:±5%:1/16W	
166	1640 2470	Capacitor - 47μF±20% 25V	
167	1640 2471	Capacitor - 470μF±20% 25V	
168	1640 5100	Capacitor - 10μF+20% 50	
169	1640 5101	Capacitor - 100μF±20% 50V	
170	1643 1470	Capacitor - 47μF±20% 16V	

Index No.	Part No.	Description	Q'ty Per Assembly
171	1650 2101	Resistor - 100Ω ±5% 1/4W	
172	1650 2221	Resistor:220Ω:±5%:1/4W	
173	1650 2682	Resistor - 6.8KΩ ±5% 1/4W	
174	1650 4100	Resistor - 10Ω ±5% 1/10W	
175	1650 4101	Resistor - 100Ω±5%1/10W	
176	1650 4102	Resistor - 1KΩ ±5% 1/10W	
177	1650 4103	Resistor - 10KΩ ±5% 1/10W	
178	1650 4104	Resistor - 100KΩ±5%1/10W	
179	1650 4105	Resistor - 1MΩ ±5% 1/10W	
180	1650 4111	Chip Resistor:110kΩ:±5%:1/10W	
181	1650 4123	Resistor - 12KΩ±5%1/10W	
182	1650 4204	Resistor - 200KΩ±5%1/10W	
183	1650 4220	Chip Resistor - 22Ω ±5% 1/10W	
184	1650 4222	Resistor - 2.2KΩ±5%1/10W	
185	1650 4223	Resistor - 22KΩ±5%1/10W	
186	1650 4330	Chip Resistor - 33Ω ±5% 1/10W	
187	1650 4472	Resistor - 4.7KΩ ±5% 1/10W	
188	1650 4510	Resistor - 51Ω±5%1/10W	
189	1650 4560	Chip Resistor - 56Ω ±5% 1/10W	
190	1650 4562	Resistor - 5.6KΩ ±5% 1/10W	
191	1650 4681	Resistor - 680Ω ±5% 1/10W	
192	1654 1002	Resistor - 10KΩ±5%1/10W	
193	1654 1003	Resistor - 100KΩ±1%1/10W	
194	1654 1403	Resistor:140kΩ:±1%:1/10W	
195	1654 2002	Resistor - 20KΩ±1%1/10W	
196	1654 2401	Resistor - 2.4KΩ ±1% 1/10W	
197	1654 2402	Chip Resistor:24kΩ:±1%:1/10W	
198	1654 4641	Resistor:4.64kΩ:±1%:1/10W	
199	1654 5621	Resistor:5.62kΩ:±1%:1/10W	
200	1660 2101	Capacitor - 100pF - ±10% - 50V	
201	1660 2120	Capacitor - 12 pF ±5% 50V	
202	1660 2150	Capacitor - 15pF ±5% 50V	
203	1660 2270	Capacitor - 27pF ±20% 35V	
204	1660 2330	Capacitor - 33pF - ±5% - 50V	
205	1660 2470	Capacitor - 47pF ±5% 50V	

Index No.	Part No.	Description	Q'ty Per Assembly
206	1660 2471	Capacitor - 470pF - $\pm 5\%$ - 50V	
207	1660 4103	Capacitor - 10000pF - $\pm 10\%$ - 50V	
208	1660 4472	Capacitor - 4700pF $\pm 10\%$ 50V	
209	1660 6103	Capacitor - 10000pF - +80%-20%50V	
210	1660 8104	Capacitor - 0.1 μ F+80-20% 25V	

Index No.	Part No.	Description	Q'ty Per Assembly

30.BICU BOARD (G147)

CAPACITOR

SYMBOL NO.	INDEX NO.	SYMBOL NO.	INDEX NO.	SYMBOL NO.	INDEX NO.	SYMBOL NO.	INDEX NO.	SYMBOL NO.	INDEX NO.	SYMBOL NO.	INDEX NO.	SYMBOL NO.	INDEX NO.
---	---	C11	153	C21	168	C31	167	C41	167	---	---	C61	165
---	---	C12	168	C22	170	---	---	C42	168	C52	167	C62	168
---	---	C13	168	C23	155	C33	168	C43	168	C53	170	C63	171
---	---	---	---	C24	168	C34	165	C44	157	C54	170	C64	168
---	---	---	---	C25	168	C35	168	---	---	C55	163	---	---
---	---	---	---	---	---	---	---	---	---	C56	164	C66	165
C7	154	C17	167	C27	170	C37	165	C47	168	C57	168	C67	155
---	---	---	---	C28	168	C38	168	---	---	C58	168	C68	171
C9	175	C19	168	C29	172	C39	166	C49	168	C59	168	C69	168
C10	167	---	---	C30	172	C40	171	C50	168	---	---	C70	171

CAPACITOR

SYMBOL NO.	INDEX NO.	SYMBOL NO.	INDEX NO.	SYMBOL NO.	INDEX NO.	SYMBOL NO.	INDEX NO.	SYMBOL NO.	INDEX NO.	SYMBOL NO.	INDEX NO.	SYMBOL NO.	INDEX NO.
C71	157	C81	158	---	---	C101	161	C111	236	C121	161	C131	236
C72	168	C82	154	C92	167	C102	236	---	---	C122	161	C132	229
C73	176	C83	168	C93	156	C103	236	C113	236	C123	161	C133	229
C74	176	C84	168	C94	236	C104	162	C114	236	C124	236	C134	229
C75	168	C85	168	C95	235	---	---	C115	161	C125	161	C135	232
---	---	---	---	---	---	---	---	---	---	---	---	---	---
C77	168	C86	159	---	---	---	---	C116	161	C126	229	C136	161
C78	168	C87	170	C97	161	C107	162	C117	236	C127	229	C137	236
C78	152	C88	170	C98	161	---	---	C118	236	C128	229	C138	236
C79	168	C89	177	C99	236	---	---	C119	161	C129	236	C139	236
C80	152	---	---	---	---	C110	236	C120	236	C130	229	C140	236

30.BICU BOARD (G147)

CAPACITOR

SYMBOL NO.	INDEX NO.	SYMBOL NO.	INDEX NO.	SYMBOL NO.	INDEX NO.	SYMBOL NO.	INDEX NO.	SYMBOL NO.	INDEX NO.	SYMBOL NO.	INDEX NO.		
C141	236	C151	236	C161	236	C171	236	C181	236	C191	160	C201	161
C142	161	C152	173	---	---	C172	161	C182	161	C192	236	C202	160
C143	161	C153	231	C163	161	C173	236	C183	161	C193	229	C203	234
C144	235	---	---	C164	235	C174	173	C184	236	C194	174	C204	236
C145	236	C155	236	---	---	C175	161	C185	228	C195	235	C205	160
C146	161	C156	227	---	---	C176	236	C186	229	C196	236	C206	161
C147	236	C157	236	---	---	C177	173	C187	236	C197	160	C207	161
C148	161	C158	161	---	---	C178	236	C188	161	C198	233	C208	162
C149	236	C159	161	C169	229	---	---	C189	161	C199	161	---	---
C150	236	C160	173	C170	161	---	---	C190	161	C200	161	C210	162

CAPACITOR

SYMBOL NO.	INDEX NO.
C211	162
C212	169
C213	161
C214	161
C215	169
---	---
C217	236
C218	161
C219	230
C220	230

SYMBOL NO.	INDEX NO.
C221	230
C222	230
---	---
C224	229
---	---
---	---
---	---
---	---
---	---
---	---

CONNECTOR

SYMBOL NO.	INDEX NO.
CNB01	106
CNB02	107
CNB03	108
---	---
---	---
---	---
CNB07	109
CNB08	110
---	---
CNB10	102

SYMBOL NO.	INDEX NO.
---	---
CNB12	101
CNB13	104
CNB14	105
---	---
---	---
---	---
---	---
CNB19	103

DIODE

SYMBOL NO.	INDEX NO.
D1	113
D2	113
D3	113
D4	113
---	---
D6	114
D7	113
D8	113

FILTER

SYMBOL NO.	INDEX NO.
FI L3	189

IC

SYMBOL NO.	INDEX NO.
I C1	120
---	---
---	---
---	---
I C5	122
I C6	130
I C7	134
I C8	119
I C9	133
I C10	128

30.BICU BOARD (G147)

IC

SYMBOL NO.	INDEX NO.
I C11	138
I C12	121
I C13	127
I C14	121
I C15	1
I C16	131
I C17	138
I C18	138
I C19	140
I C20	124

SYMBOL NO.	INDEX NO.
I C21	124
I C22	132
I C23	238
I C24	237
I C25	237
I C26	126
I C27	142
I C28	123
I C29	125
I C30	129

SYMBOL NO.	INDEX NO.
I C31	137
I C32	125

L

SYMBOL NO.	INDEX NO.
L1	180
L2	178
L3	179
---	---
---	---
---	---
---	---
---	---
---	---
---	---

LED

SYMBOL NO.	INDEX NO.
LED101	116
LED102	118
LED103	117

OSC

SYMBOL NO.	INDEX NO.
OSC1	143
OSC2	144

Q

SYMBOL NO.	INDEX NO.
Q1	112
Q2	112
Q3	111
Q4	111

RESISTOR

SYMBOL NO.	INDEX NO.
R1	214
R2	214
R3	214
---	---
---	---
---	---
---	---
R8	210
R9	206
R10	212

SYMBOL NO.	INDEX NO.
R11	205
R12	211
R13	212
R14	188
R15	187
R16	206
R17	220
R18	220
R19	206
---	---

SYMBOL NO.	INDEX NO.
R21	213
---	---
R23	213
R24	206
R25	206
R26	206
R27	204
R28	206
R29	206
R30	206

SYMBOL NO.	INDEX NO.
R31	204
R32	204
R33	226
R34	225
R35	221
R36	221
R37	221
R38	221
R39	212
---	---

SYMBOL NO.	INDEX NO.
R41	206
---	---
R43	212
R44	206
R45	206
R46	206
R47	213
R48	213
R49	206
R50	206

SYMBOL NO.	INDEX NO.
R51	213
R52	212
R53	206
---	---
---	---
R56	206
R57	207
R58	207
R59	222
R60	209

SYMBOL NO.	INDEX NO.
R61	206
R62	212
R63	212
R64	224
R65	205
R66	206
---	---
R68	213
R69	206
R70	206

30.BICU BOARD (G147)

RESISTOR

SYMBOL NO.	INDEX NO.	SYMBOL NO.	INDEX NO.	SYMBOL NO.	INDEX NO.	SYMBOL NO.	INDEX NO.	SYMBOL NO.	INDEX NO.	SYMBOL NO.	INDEX NO.	SYMBOL NO.	INDEX NO.
R71	206	F81	213	F91	205	R101	195	R112	193	R122	193	R132	203
R72	193	F82	213	F92	218	R102	201	R113	193	R123	202	R133	203
---	---	F83	213	F93	219	---	---	R114	193	R124	189	R134	201
R74	204	F84	213	F94	193	---	---	R115	193	R125	215	R135	193
R75	206	F85	205	F95	193	R105	193	R116	193	R126	193	R136	195
R76	223	F86	206	F96	193	R106	198	R117	193	R127	193	R137	195
R77	196	F87	206	F97	193	---	---	R118	193	R128	193	R138	197
R78	212	F88	206	F98	193	R108	193	R119	193	R129	193	R139	197
R79	206	F89	208	F99	195	R109	193	R120	193	R130	198	R140	192
R80	206	F90	208	R100	193	R110	193	R121	193	R131	205	---	---
						R111	193						

RESISTOR

SYMBOL NO.	INDEX NO.	SYMBOL NO.	INDEX NO.	SYMBOL NO.	INDEX NO.	SYMBOL NO.	INDEX NO.	SYMBOL NO.	INDEX NO.	SYMBOL NO.	INDEX NO.	SYMBOL NO.	INDEX NO.
R142	193	R151	194	R161	197	R171	189	R181	192	R191	217	---	---
R142	192	R152	193	R162	197	R172	193	R182	193	R192	217	R202	203
R143	193	R153	193	R163	197	R173	203	R183	192	R193	217	R203	202
R144	197	R154	193	R164	191	R174	216	R184	199	---	---	R204	202
---	---	R155	197	R165	193	R175	192	R185	199	---	---		
R146	192	---	---	---	---	R176	193	---	---	---	---		
R147	193	---	---	R167	202	R177	193	---	---	---	---		
R148	193	R158	193	R168	200	R178	201	---	---	---	---		
---	---	R159	192	---	---	R179	190	---	---	---	---		
R150	193	R160	201	R170	189	R180	192	R190	217	---	---		

30.BICU BOARD (G147)

REG

SYMBOL NO.	INDEX NO.
REG1	136
REG2	139
REG3	135
REG4	141

RN

SYMBOL NO.	INDEX NO.
RN1	185
RN2	185
RN3	146
RN4	145
RN5	151
---	---
RN6	182
RN7	182
---	---
---	---
---	---

SYMBOL NO.	INDEX NO.
RN11	183
RN12	145
RN13	183
RN14	145
---	---
---	---
---	---
RN18	182
RN19	182
RN20	146

SYMBOL NO.	INDEX NO.
RN21	145
RN22	148
RN23	182
RN24	182
RN25	183
---	---
RN26	145
RN27	146
---	---
RN29	149
RN30	147

SYMBOL NO.	INDEX NO.
RN31	145
RN32	145
RN33	145
RN34	148
RN35	148
---	---
RN37	182
RN38	182
RN39	183
RN40	185

SYMBOL NO.	INDEX NO.
RN41	146
RN42	182
RN43	184
RN44	181
RN45	186
---	---
RN46	184
RN47	146
RN48	181
---	---
RN50	146

SYMBOL NO.	INDEX NO.
RN51	186
---	---
RN53	181
RN54	182
RN55	181
---	---
RN56	181
RN57	181
RN58	181
---	---
RN60	186

RN

SYMBOL NO.	INDEX NO.
RN61	186
RN62	186
RN63	186
RN64	145
RN65	147
---	---
RN66	181
RN67	181
RN68	181
RN69	148
RN70	148

SYMBOL NO.	INDEX NO.
RN71	148
RN72	182
RN73	184
RN74	184
RN75	184
---	---
RN76	184
RN77	184
RN78	183
RN79	150
RN80	186

ZD

SYMBOL NO.	INDEX NO.
ZD1	115
ZD2	115

30.BICU BOARD (G147)

Index No.	Part No.	Description	Q'ty Per Assembly
*	G147 5065	PCB:BICU	1
1	B198 5240	IC:CDICAN	1

Index No.	Part No.	Description	Q'ty Per Assembly
101	1102 4203	CT Header - 4P	
102	1102 4204	CT Header - 5P	
103	1102 4645	CT Connector - 4p	
104	1102 5305	Connector - 6P	
105	1102 6303	Connector - 10P	
106	1102 6595	Connector - 11P	
107	1102 8272	Connector - TX25-100P-12ST-H1	
108	1102 9116	Connector - 353297-5	
109	1103 3188	Connector:FH12S-50S-0.5SH(89)	
110	1103 3736	Connector:FH12S-45S-0.5SH(89)	
111	1400 0688	Transistor -DTC143ZUA	
112	1400 0795	Transistor - 2SC4617	
113	1402 1343	Diode - RB106L-40	
114	1402 1546	Diode - RB081	
115	1402 1662	Diode:PTZ6.2B	
116	1403 0953	LED - SML-310MT	
117	1403 0996	LED - SML-310VT	
118	1403 1033	LED - SML-310YT	
119	1407 2187	TTLIC - SN74LS07NS	
120	1407 5090	IC - DS90CF364MTD	
121	1407 5351	IC - SN74LV14APW	
122	1407 5353	IC - SN74LV244APW	
123	1407 5388	IC - SN74LV08ANS	
124	1407 5392	IC:SN74LV541APW	
125	1407 5421	IC - SN74LV74ANS	
126	1407 5463	IC - SN74LV245APW	
127	1407 5469	IC - SN74LV07APW	
128	1407 5483	IC - SN74AHC1G125DCK	
129	1407 5712	IC:SN74LV07ANS	
130	1407 5896	Controller Image Processing RF5V861	
131	1407 6166	IC - ESOC	
132	1407 6380	EEPROM - BR24I08-W	
	1407 6385	Clock Generator - MB88154PNF-G-102-	
134	1407 6430	IC - GAVD TypE-R	
135	1408 1448	Regulator - PQ3DZ13	

Index No.	Part No.	Description	Q'ty Per Assembly
136	1408 1463	Regulator:LM1085IS-ADJ	
137	1408 1680	Operational Amplifier - LM358D	
138	1408 1779	IC - R3112Q281A	
139	1408 1818	Series Regulator - LM1117MP-1.8	
140	1408 1826	IC - R3112Q421A	
141	1408 2015	Series Regulator - PQ018EZ02ZPH	
142	1408 2151	IC - PQ1CX12H2ZPQ	
143	1503 1106	Crystal Oscillator:40.97mhz	
144	1503 1215	Crystal Oscillator - 17.5mhz	
145	1601 7887	Resistor Array - 10K Ω \pm 5% 1/32W	
146	1601 7896	Resistor Array - 56 Ω \pm 5% 1/32W	
147	1601 7898	Resistor Array	
148	1601 7943	Resistor Array - 68 Ω \pm 5% 1/32W	
149	1601 7959	Resistor	
150	1601 7960	Resistor Array - 100 Ω \pm 5% 1/16W	
151	1601 7981	Resistor Array - 100K Ω \pm 5% 1/16W	
152	1604 4733	Capacitor - 100 μ F \pm 20% 10V	
153	1604 4782	Capacitor - 470 μ F \pm 20% 16V	
154	1604 4925	Resistor - 100 μ F \pm 20% 10V	
155	1604 4999	Resistor - 68 μ F \pm 20%:10V	
156	1604 5046	Resistor - 150 μ F \pm 20%:10V	
157	1604 5291	Resistor - 10 μ F \pm 20% 16V	
158	1604 5367	Resistor - 220 μ F \pm 20% 10V	
159	1604 5368	Resistor - 470 μ F \pm 20% 10V	
160	1605 1124	Capacitor - 4.7 μ F+80 -20% 10V	
161	1605 1137	Capacitor - 470pF \pm 10% 50V	
162	1605 1148	Capacitor - 0.1 μ F+80-20% 50V	
163	1605 1201	Capacitor - 12pF \pm 5% 50V	
164	1605 1202	Capacitor - 15pF \pm 5% 50V	
165	1605 1206	Capacitor - 47pF \pm 5% 50V	
166	1605 1208	Capacitor:100pF: \pm 5%:50V	
167	1605 1212	Capacitor - 470pF \pm 10% 50V	
168	1605 1221	Capacitor - 0.1 UF+80-20%16V	
169	1605 1224	Capacitor 4.7 μ F \pm 10% 6.3V	
170	1605 1234	Capcitor:4700pF: \pm 10%:50V	

Index No.	Part No.	Description	Q'ty Per Assembly
171	1605 1240	Capacitor - 0.01 μ F \pm 10% 25V	
172	1605 1282	Capacitor:22uf:+80-20%:10V	
173	1605 1295	Capacitor:10uf:+80-20%:10V	
174	1605 1355	Ceramic Capacitor:680pF: \pm 10%:50V	
175	1605 1430	Resistor - 1 μ F+80-20% 50V	
176	1605 1447	Resistor - 470pF \pm 5% 50V	
177	1605 1465	Resistor - 1 μ F \pm 10% 25V	
178	1607 1196	Inductor -220uh \pm 20% 0.33A	
179	1607 1223	Inductor - 47uh \pm 20% 2.7A	
180	1607 1546	Inductor - Slf6028-220mr77-pF	
181	1609 0005	Registor:33 Ω : \pm 5%:1/16W	
182	1609 0006	Registor:10k Ω : \pm 5%:1/16W	
183	1609 0007	Resistor - 68 Ω \pm 5% 1/16W	
184	1609 0011	Registor:22 Ω : \pm 5%:1/16W	
185	1609 0016	Registor:56 Ω : \pm 5%:1/16W	
186	1609 0076	Resistor - 150K Ω \pm 5% 1/16W	
187	1610 1821	Resistor - 2.7 Ω \pm 1% 1/10W	
188	1610 1834	Resistor - 150 Ω \pm 0.5% 1/16W	
189	1634 0000	Resistor - 0 Ω 1/16W	
190	1650 4100	Resistor - 10 Ω \pm 5% 1/10W	
191	1650 4101	Resistor - 100 Ω \pm 5%1/10W	
192	1650 4102	Resistor - 1K Ω \pm 5% 1/10W	
193	1650 4103	Resistor - 10K Ω \pm 5% 1/10W	
194	1650 4122	Resistor - 1.2K Ω \pm 5% 1/10W	
195	1650 4222	Resistor - 2.2K Ω \pm 5%1/10W	
196	1650 4301	Chip Resistor:300k Ω : \pm 5%:1/10W	
197	1650 4330	Chip Resistor - 33 Ω \pm 5% 1/10W	
198	1650 4332	Resistor - 3.3K Ω \pm 5%1/10W	
199	1650 4479	Resistor - 4.7 Ω \pm 5% 1/10W	
200	1650 4511	Resistor - 510 Ω \pm 5%1/10W	
201	1650 4560	Chip Resistor - 56 Ω \pm 5% 1/10W	
202	1650 4561	Resistor - 560 Ω \pm 5% 1/10W	
203	1650 4680	Resistor - 68 Ω \pm 5%1/10W	
204	1650 5101	Chip Resistor - 100 Ω \pm 5%1/16W	
205	1650 5102	Chip Resistor - 1k Ω \pm 5%1/16W	

31.CONTROLLER BOARD (G147)

IC

SYMBOL NO.	INDEX NO.
BAT1	114

CAPACITOR

SYMBOL NO.	INDEX NO.
C1	177
C2	195
---	---
C4	195
C5	195
C6	197
C7	195
C8	211
---	---
C10	204

SYMBOL NO.	INDEX NO.
C11	204
C12	204
C13	204
C14	204
C15	197
---	---
C17	204
C18	204
---	---
C20	204

SYMBOL NO.	INDEX NO.
C21	204
C22	204
C23	215
C24	204
C25	204
C26	204
C27	204
C28	204
C29	204
C30	204

SYMBOL NO.	INDEX NO.
C31	204
C32	204
C33	204
C34	204
C35	204
C36	204
C37	204
C38	204
C39	204
C40	204

SYMBOL NO.	INDEX NO.
C41	178
C42	204
C43	204
C44	204
C45	204
C46	204
C47	204
C48	204
C49	204
C50	204

SYMBOL NO.	INDEX NO.
C51	204
C52	204
C53	204
C54	204
C55	204
C56	204
C57	204
C58	204
C59	197
C60	176

CAPACITOR

SYMBOL NO.	INDEX NO.
C61	195
---	---
C63	176
C64	176
C65	195
C66	197
---	---
C68	210
C69	210
C70	204
C70	210

SYMBOL NO.	INDEX NO.
C71	210
C72	210
C73	197
C74	197
C75	194
C76	194
C77	194
C78	194
C79	198
C80	195

SYMBOL NO.	INDEX NO.
---	---
C82	198
C83	198
C84	198
C85	198
C86	194
C87	179
---	---
C89	182
C90	195

SYMBOL NO.	INDEX NO.
C91	204
C92	195
C93	197
C94	186
---	---
C96	215
C97	197
C98	195
C99	184
C100	215

SYMBOL NO.	INDEX NO.
---	---
C102	211
---	---
C104	201
C105	215
C106	190
C107	197
C108	200
C109	195
C110	194

SYMBOL NO.	INDEX NO.
C111	198
C112	198
C113	198
C114	198
C115	194
C116	194
C117	194
C118	198
C119	194
C120	194

SYMBOL NO.	INDEX NO.
C121	194
C122	198
C123	198
C124	198
C125	194
C126	198
C127	210
C128	210
C129	210
C130	210

31.CONTROLLER BOARD (G147)

CAPACITOR

SYMBOL NO.	INDEX NO.	SYMBOL NO.	INDEX NO.	SYMBOL NO.	INDEX NO.	SYMBOL NO.	INDEX NO.	SYMBOL NO.	INDEX NO.	SYMBOL NO.	INDEX NO.	SYMBOL NO.	INDEX NO.
C131	210	C141	198	C151	202	C161	207	C171	215	C181	185	C191	215
C132	194	C142	194	C152	204	C162	205	C172	197	C182	185	C192	195
C133	198	C143	198	C153	198	C163	210	C173	195	C183	204	C193	189
C134	180	C144	205	C154	200	C164	208	C174	215	C184	183	C194	311
C135	198	C145	205	C155	197	C165	205	C175	215	C185	195	C195	197
C136	194	C146	193	C156	191	C166	205	C176	214	C186	214	C196	197
C137	178	C147	195	C157	197	C167	210	C177	215	C187	204	C197	197
C138	178	C148	205	---	---	C168	206	C178	215	C188	195	C198	195
C139	194	C149	187	---	---	C169	197	C179	193	C189	215	C199	209
C140	198	C150	187	C160	216	C170	215	C180	195	C190	215	C200	196

CAPACITOR

SYMBOL NO.	INDEX NO.	SYMBOL NO.	INDEX NO.	SYMBOL NO.	INDEX NO.	SYMBOL NO.	INDEX NO.	SYMBOL NO.	INDEX NO.	SYMBOL NO.	INDEX NO.	SYMBOL NO.	INDEX NO.
C201	190	C211	215	C221	204	C231	204	C241	204	C251	197	C261	204
C202	207	C212	215	C222	197	C232	195	C242	197	C252	195	C262	218
C203	200	---	---	C223	204	C233	195	C243	197	C253	197	C263	195
C204	197	C214	215	C224	204	C234	197	C244	195	C254	211	C264	203
C205	187	C215	188	C225	204	C235	195	C245	204	C255	197	C265	204
C206	215	C216	193	C226	181	C236	195	C246	195	C256	197	C266	204
C207	211	C217	186	C227	212	C237	204	C247	204	C257	195	C267	198
C208	207	C218	186	C228	204	C238	197	C248	195	C258	195	C268	211
C209	209	C219	186	C229	204	C239	206	C249	204	C259	197	C269	197
C210	197	C220	204	C230	204	C240	195	C250	195	C260	211	---	---

31.CONTROLLER BOARD (G147)

CAPACITOR

SYMBOL NO.	INDEX NO.	SYMBOL NO.	INDEX NO.	SYMBOL NO.	INDEX NO.	SYMBOL NO.	INDEX NO.	SYMBOL NO.	INDEX NO.	SYMBOL NO.	INDEX NO.	SYMBOL NO.	INDEX NO.
C271	209	C281	206	C291	206	C301	204	C311	195	C321	206	C331	204
---	---	C282	204	C292	195	C302	195	C312	186	C322	204	C332	195
C273	207	C283	215	---	---	C303	204	C313	218	C323	195	C333	197
C274	197	C284	195	---	---	C304	204	C314	218	C324	204	C334	203
C275	195	C285	204	C295	204	C305	204	C315	218	C325	195	C335	203
C276	204	C286	204	C296	218	C306	217	C316	206	C326	195	C336	203
---	---	C287	313	C297	203	C307	206	C317	204	C327	195	C337	195
---	---	C288	198	C298	195	C308	182	C318	198	C328	195	C338	198
C279	182	C289	203	C299	198	C309	206	C319	198	C329	218	C339	203
C280	217	C290	206	C300	218	C310	204	C320	198	C330	204	C340	204

CAPACITOR

SYMBOL NO.	INDEX NO.	SYMBOL NO.	INDEX NO.	SYMBOL NO.	INDEX NO.	SYMBOL NO.	INDEX NO.	SYMBOL NO.	INDEX NO.	SYMBOL NO.	INDEX NO.	SYMBOL NO.	INDEX NO.
C341	195	C351	195	C361	204	C371	218	C380	197	C390	195	C400	198
C342	204	C352	211	C362	204	C372	198	C381	203	C391	195	C401	204
C343	204	C353	203	C363	204	C373	195	C382	186	C392	204	C402	197
C344	195	C354	195	C364	195	C374	204	C383	186	C393	204	C403	197
C345	204	C355	198	C365	204	C375	204	C384	195	C394	204	C404	195
C346	195	C356	218	C366	204	C376	195	C385	186	C395	315	C405	197
C347	204	C357	197	C367	204	C377	195	C386	186	C396	195	C406	195
C348	204	C358	191	C368	204	C378	197	C387	204	C397	204	C407	197
C349	195	C359	204	C369	206	C379	198	C388	195	C398	186	C408	197
C350	204	C360	204	C370	218	C379	203	C389	204	C399	186	C409	195

31.CONTROLLER BOARD (G147)

CAPACITOR

SYMBOL NO.	INDEX NO.	SYMBOL NO.	INDEX NO.	SYMBOL NO.	INDEX NO.	SYMBOL NO.	INDEX NO.	SYMBOL NO.	INDEX NO.	SYMBOL NO.	INDEX NO.	SYMBOL NO.	INDEX NO.
C411	204	C421	197	C431	195	C441	198	C451	187	C461	195	C471	195
C412	195	C422	197	C432	218	---	---	C452	197	C462	187	C472	197
C413	195	C423	192	C433	195	C443	195	C453	203	C463	204	C473	195
C414	218	C424	202	C434	186	C444	197	C454	195	C464	197	C474	198
C415	215	C425	197	C435	186	C445	195	C455	196	C465	203	C475	195
C416	209	C426	198	C436	186	C446	195	C456	186	C466	203	C476	198
C417	315	C427	195	C437	186	C447	195	C457	198	C467	218	---	---
C418	204	C428	203	C438	197	C448	187	---	---	C468	187	C478	204
C419	207	C429	203	C439	197	C449	195	C459	195	C469	195	C479	215
C420	195	C430	195	C440	197	C450	197	C460	197	C470	203	C480	195

CAPACITOR

SYMBOL NO.	INDEX NO.	SYMBOL NO.	INDEX NO.	SYMBOL NO.	INDEX NO.	SYMBOL NO.	INDEX NO.	SYMBOL NO.	INDEX NO.	SYMBOL NO.	INDEX NO.	SYMBOL NO.	INDEX NO.
C481	218	---	---	C501	195	C511	209	C521	195	---	---	C541	317
C482	198	---	---	---	---	C512	215	C522	197	C532	195	C542	207
C483	195	---	---	C503	197	---	---	C523	314	C533	197	C543	197
C484	197	---	---	C504	207	C514	204	C524	197	C534	209	C544	195
C485	218	---	---	C505	195	C515	195	C525	197	C535	197	C545	207
C486	218	C496	195	---	---	C516	197	C526	195	C536	197	C546	197
---	---	C497	195	C507	197	C517	195	C527	207	C537	195	C547	197
C488	197	C498	195	C508	211	C518	207	C528	195	C538	195	C548	312
C489	197	C499	204	C509	182	C519	195	C529	207	C539	197	C549	213
C490	186	---	---	C510	197	C520	215	C530	207	C540	316	C550	205

31.CONTROLLER BOARD (G147)

CAPACITOR

SYMBOL NO.	INDEX NO.	SYMBOL NO.	INDEX NO.	SYMBOL NO.	INDEX NO.	SYMBOL NO.	INDEX NO.	SYMBOL NO.	INDEX NO.	SYMBOL NO.	INDEX NO.	SYMBOL NO.	INDEX NO.
C551	197	C561	204	C571	204	C581	211	C591	204	C601	195	C611	195
C552	197	C562	204	C572	197	C582	204	C592	198	C602	197	C612	197
C553	199	C563	316	C573	206	C583	186	C593	191	C603	195	C613	204
C554	197	C564	204	C574	204	C584	204	C594	204	C604	197	C614	204
C555	195	C565	204	C575	206	C585	182	C595	195	C605	204	C615	204
C556	195	C566	204	C576	197	---	---	---	---	C606	177	C616	204
C557	209	C567	204	C577	209	C587	182	C597	195	---	---	C617	204
C558	195	C568	204	C578	207	C588	204	C598	204	---	---	C618	204
C559	195	---	---	C579	204	---	---	C599	204	C609	195	C619	204
C560	197	C570	204	C580	186	C590	198	C600	209	C610	197	C620	195

CAPACITOR

SYMBOL NO.	INDEX NO.	SYMBOL NO.	INDEX NO.	SYMBOL NO.	INDEX NO.	SYMBOL NO.	INDEX NO.
C621	195	---	---	---	---	---	---
C622	205	---	---	---	---	---	---
C623	317	---	---	---	---	C703	204
C624	197	C644	197	C654	195	C704	204
---	---	C645	195	C655	197	C705	204
---	---	C646	197	---	---	C706	204
---	---	C647	197	---	---	---	---
---	---	---	---	C658	195	---	---
---	---	---	---	C659	197	---	---
C630	195	---	---	---	---	---	---

CONNECTOR

SYMBOL NO.	INDEX NO.	SYMBOL NO.	INDEX NO.
---	---	CN100	105
C1702	204	CN101	110
---	---	CN102	110
---	---	CN103	109
---	---	---	---
---	---	CN105	103
---	---	CN106	104
---	---	---	---
---	---	CN108	104
---	---	CN109	106
---	---	CN110	106
---	---	---	---
---	---	CN112	101
---	---	CN113	107
---	---	---	---
---	---	CN115	102
---	---	---	---
---	---	CN117	108

31.CONTROLLER BOARD (G147)

DIODE

SYMBOL NO.	INDEX NO.
D1	121
D2	121
---	---
D4	124
D5	123
D6	121
D7	122
D8	123
D9	121
D10	124

SYMBOL NO.	INDEX NO.
D11	123
D12	121

FILTER

SYMBOL NO.	INDEX NO.
FI L1	227
FI L2	227
FI L3	220
FI L4	220
FI L5	223
FI L6	223
FI L7	229
FI L8	219
FI L9	219
FI L10	221

SYMBOL NO.	INDEX NO.
FI L11	221
FI L12	219
FI L13	229

FUSE

SYMBOL NO.	INDEX NO.
FU1	112
FU2	112

IC

SYMBOL NO.	INDEX NO.
I C1	133
I C2	111
I C3	160
I C4	137
I C5	159
---	---
I C7	128
I C8	1
I C9	127
I C10	129

SYMBOL NO.	INDEX NO.
---	---
I C12	157
I C13	139
I C14	137
I C15	160
I C16	148
---	---
---	---
I C19	133
---	---

SYMBOL NO.	INDEX NO.
I C21	139
I C22	143
---	---
I C24	318
I C25	2
I C26	141
---	---
I C28	161
I C29	156
I C30	144

IC

SYMBOL NO.	INDEX NO.
I C31	318
I C32	146
I C33	136
I C34	149
I C35	158
I C36	138
I C37	150
I C38	126
I C39	130
---	---

SYMBOL NO.	INDEX NO.
---	---
---	---
---	---
---	---
I C45	155
I C46	129
I C47	153
I C48	152
I C49	142
I C50	147

SYMBOL NO.	INDEX NO.
---	---
I C52	139
I C53	135
I C54	139
I C55	154
I C56	145
I C57	131
I C58	139
I C59	151
I C60	140

SYMBOL NO.	INDEX NO.
---	---
---	---
---	---
---	---
---	---
I C66	134
---	---
---	---
---	---
---	---

SYMBOL NO.	INDEX NO.
---	---
---	---
I C73	139
I C74	132
I C75	132

L

SYMBOL NO.	INDEX NO.
L1	222
L2	230
L3	226
L4	231
L5	228
L6	222
L7	224
L8	225
L9	225
L10	225

SYMBOL NO.	INDEX NO.
L11	225
L12	225

LED

SYMBOL NO.	INDEX NO.
LED1	125
LED11	125

31.CONTROLLER BOARD (G147)

OSC

SYMBOL NO.	INDEX NO.
OSC1	162
OSC2	164
OSC3	165
OSC4	163

Q

SYMBOL NO.	INDEX NO.
Q1	115
Q2	118
Q3	116
Q4	116
Q5	117
Q6	117
Q7	115
Q8	118
Q9	115
Q10	119

SYMBOL NO.	INDEX NO.
Q11	115
Q12	115
Q13	120

RESISTOR

SYMBOL NO.	INDEX NO.
R1	254
R2	254
R3	254
---	---
---	---
---	---
R7	273
R8	291
R9	285
R10	291

SYMBOL NO.	INDEX NO.
R11	291
R12	276
R13	255
---	---
R15	254
---	---
---	---
R17	254
R18	287
---	---
R20	285

SYMBOL NO.	INDEX NO.
---	---
R22	270
R23	270
R24	265
R25	284
---	---
R26	270
R27	270
R28	269
R29	284
R30	270

SYMBOL NO.	INDEX NO.
R31	278
R32	291
R33	284
---	---
---	---
R36	284
---	---
---	---
---	---
R40	285

RESISTOR

SYMBOL NO.	INDEX NO.
R41	284
---	---
R43	270
R44	253
R45	294
---	---
R46	299
R47	251
R48	254
R49	278
R50	254

SYMBOL NO.	INDEX NO.
R51	284
---	---
R53	284
---	---
---	---
---	---
---	---
R58	254
---	---
R60	284

SYMBOL NO.	INDEX NO.
---	---
---	---
---	---
R64	284
R65	255
---	---
R66	253
R67	284
R68	278
R69	278
R70	263

SYMBOL NO.	INDEX NO.
R71	284
---	---
---	---
---	---
R74	273
R75	284
---	---
R76	273
---	---
---	---
---	---
---	---

SYMBOL NO.	INDEX NO.
R81	273
R82	284
---	---
---	---
R84	273
R85	273
---	---
R86	273
R87	278
R88	279
R89	284
---	---

SYMBOL NO.	INDEX NO.
---	---
---	---
R93	278
R94	263
R95	284
---	---
---	---
R97	254
R98	278
---	---
---	---

SYMBOL NO.	INDEX NO.
R101	278
---	---
R103	253
R104	278
R105	254
---	---
R106	254
---	---
---	---
---	---
R110	278

31.CONTROLLER BOARD (G147)

RESISTOR

SYMBOL NO.	INDEX NO.	SYMBOL NO.	INDEX NO.	SYMBOL NO.	INDEX NO.	SYMBOL NO.	INDEX NO.	SYMBOL NO.	INDEX NO.	SYMBOL NO.	INDEX NO.	SYMBOL NO.	INDEX NO.
R111	291	---	---	---	---	R141	284	R151	270	R161	270	R171	273
R112	278	R122	278	---	---	R142	291	R152	263	R162	284	R172	273
R113	291	R123	278	R133	284	R143	284	R153	284	R163	284	R173	253
R114	278	R124	286	R134	255	R144	284	R154	270	R164	281	---	---
---	---	R125	268	R135	284	R145	284	R155	284	R165	278	---	---
R116	254	R126	286	R136	255	R146	270	R156	278	R166	284	R176	245
---	---	R127	278	---	---	R147	278	R157	270	R167	278	R177	245
R118	263	R128	278	R138	270	R148	284	R158	270	R168	284	R178	245
R119	278	R129	291	R139	278	R149	284	R159	263	R169	284	R179	245
R120	278	R130	270	---	---	R150	278	R160	284	---	---	R180	245

RESISTOR

SYMBOL NO.	INDEX NO.	SYMBOL NO.	INDEX NO.	SYMBOL NO.	INDEX NO.	SYMBOL NO.	INDEX NO.	SYMBOL NO.	INDEX NO.	SYMBOL NO.	INDEX NO.	SYMBOL NO.	INDEX NO.
R181	245	R191	281	R201	270	R211	249	---	---	---	---	R241	254
R182	251	R192	281	R202	270	R212	304	R222	251	R232	246	---	---
R183	245	R193	270	R203	272	R213	254	R223	251	R233	245	R243	254
R184	245	R194	272	R204	255	R214	270	R224	273	R234	303	R244	292
R185	245	---	---	R205	251	R215	270	---	---	R235	254	R245	254
R186	245	R196	251	R206	251	R216	270	R226	245	R236	254	R246	252
R187	245	R197	251	R207	245	R217	253	R227	245	R237	254	R247	251
R188	254	---	---	R208	242	R218	247	R228	245	R238	291	---	---
R189	273	R199	281	R209	254	R219	248	R229	245	---	---	R249	266
R190	270	R200	270	R210	253	---	---	R230	245	R240	251	---	---

31.CONTROLLER BOARD (G147)

RESISTOR

SYMBOL NO.	INDEX NO.	SYMBOL NO.	INDEX NO.	SYMBOL NO.	INDEX NO.	SYMBOL NO.	INDEX NO.	SYMBOL NO.	INDEX NO.	SYMBOL NO.	INDEX NO.	SYMBOL NO.	INDEX NO.
R251	291	R261	282	---	---	R281	280	R291	251	R301	270	R311	253
R252	253	R262	254	R272	254	R282	280	R292	254	R302	291	---	---
R253	253	R263	254	R273	307	R283	288	R293	254	R303	291	---	---
---	---	---	---	R274	309	R284	288	R294	244	R304	270	---	---
R255	256	R265	260	R275	289	R285	244	R295	244	R305	270	R315	254
R256	291	R266	253	R276	255	R286	244	R296	244	R306	270	R316	270
R257	271	R267	281	R277	254	R287	244	---	---	R307	253	R317	244
R258	271	R268	254	R278	253	R288	244	R298	251	R308	254	R318	286
R259	310	R269	292	R279	253	R289	254	R299	270	R309	270	R319	270
R260	292	R270	289	R280	243	R290	254	R300	270	R310	253	R320	254

RESISTOR

SYMBOL NO.	INDEX NO.	SYMBOL NO.	INDEX NO.	SYMBOL NO.	INDEX NO.	SYMBOL NO.	INDEX NO.	SYMBOL NO.	INDEX NO.	SYMBOL NO.	INDEX NO.	SYMBOL NO.	INDEX NO.
R321	270	R331	255	R341	273	R351	284	R361	284	R371	254	R381	278
---	---	R332	255	R342	273	R352	254	R362	274	R372	276	R382	263
---	---	R333	255	R343	273	R353	253	R363	276	R373	284	R383	284
R324	286	R334	255	R344	273	R354	253	R364	284	R374	265	R384	254
R325	253	R335	255	R345	273	---	---	R365	254	R375	301	R385	273
R326	270	R336	255	R346	273	---	---	R366	254	R376	287	R386	284
R327	258	R337	286	R347	284	---	---	R367	279	R377	254	R387	291
R328	254	R338	286	R348	284	R358	253	R368	287	R378	284	R388	255
R329	258	R339	273	R349	254	R359	274	R369	284	R379	257	R389	273
R330	255	R340	273	R350	268	R360	284	R370	251	R380	254	R390	292

31.CONTROLLER BOARD (G147)

RESISTOR

SYMBOL NO.	INDEX NO.	SYMBOL NO.	INDEX NO.	SYMBOL NO.	INDEX NO.	SYMBOL NO.	INDEX NO.	SYMBOL NO.	INDEX NO.	SYMBOL NO.	INDEX NO.	SYMBOL NO.	INDEX NO.
R391	284	R401	276	R411	285	R421	263	R431	273	---	---	---	---
R392	291	R402	284	R412	284	R422	278	R432	278	---	---	R452	254
R393	254	R403	254	---	---	R423	285	---	---	---	---	R453	278
R394	254	R404	254	R414	291	R424	273	R434	278	---	---	R454	278
R395	287	R405	254	R415	278	R425	278	---	---	R445	278	R455	270
R396	254	R406	284	R416	284	---	---	R436	257	R446	254	R456	278
R397	274	R407	254	R417	278	R427	254	R437	278	R447	254	R457	257
---	---	---	---	R418	295	R428	270	---	---	R448	254	R458	278
---	---	R409	274	---	---	R429	277	R439	254	R449	254	R459	248
R400	254	R410	284	R420	285	R430	273	R440	273	R450	278	R460	270

RESISTOR

SYMBOL NO.	INDEX NO.	SYMBOL NO.	INDEX NO.	SYMBOL NO.	INDEX NO.	SYMBOL NO.	INDEX NO.	SYMBOL NO.	INDEX NO.	SYMBOL NO.	INDEX NO.	SYMBOL NO.	INDEX NO.
R461	255	R471	278	R481	274	---	---	F501	274	F511	274	F521	273
R462	270	R472	291	R482	278	R492	284	F502	270	F512	270	F522	272
R463	278	R473	284	R483	284	R493	254	F503	284	F513	284	F523	272
R464	255	R474	263	R484	263	R494	270	F504	284	F514	270	F524	273
R465	265	R475	284	R485	284	R495	270	F505	284	F515	284	F525	254
---	---	R476	274	R486	276	R496	270	F506	273	---	---	F526	254
R467	278	R477	284	---	---	R497	273	F507	273	F517	270	F527	270
R468	255	R478	284	R488	284	R498	270	F508	252	F518	257	F528	251
R469	263	R479	284	R489	287	R499	270	F509	252	F519	257	---	---
R470	278	R480	284	---	---	F500	273	F510	284	F520	264	F530	265

31.CONTROLLER BOARD (G147)

RESISTOR

SYMBOL NO.	INDEX NO.	SYMBOL NO.	INDEX NO.	SYMBOL NO.	INDEX NO.	SYMBOL NO.	INDEX NO.	SYMBOL NO.	INDEX NO.	SYMBOL NO.	INDEX NO.	SYMBOL NO.	INDEX NO.
R531	270	R541	246	---	---	R561	298	---	---	R581	248	R591	251
R532	246	R542	291	---	---	R562	248	R572	251	R582	291	R592	258
R533	246	R543	254	---	---	R563	248	R573	254	R583	259	R593	252
R534	246	R544	291	R554	244	R564	246	---	---	R584	254	R594	245
R535	246	R545	245	R555	253	R565	246	R575	245	R585	253	R595	254
R536	270	R546	245	---	---	R566	270	R576	251	R586	245	R596	253
R537	270	R547	245	R557	244	---	---	---	---	R587	248	R597	291
---	---	R548	245	R558	254	R568	273	R578	254	R588	251	R598	270
R539	254	R549	254	R559	270	R569	254	R579	245	R589	251	---	---
R540	246	R550	268	R560	254	R570	270	R580	248	R590	253	---	---

RESISTOR

SYMBOL NO.	INDEX NO.	SYMBOL NO.	INDEX NO.	SYMBOL NO.	INDEX NO.	SYMBOL NO.	INDEX NO.	SYMBOL NO.	INDEX NO.	SYMBOL NO.	INDEX NO.	SYMBOL NO.	INDEX NO.
R601	254	R611	245	R621	273	R631	254	R641	248	R651	245	R661	245
R602	258	R612	254	R622	245	---	---	R642	250	R652	251	R662	306
R603	284	---	---	R623	248	---	---	R643	253	---	---	---	---
R604	245	R614	270	R624	253	R634	254	R644	253	---	---	R664	256
R605	248	R615	253	---	---	R635	253	R645	249	R655	270	R665	254
---	---	R616	273	---	---	R636	245	R646	254	R656	296	R666	254
R607	262	R617	254	---	---	R637	245	---	---	R657	251	R667	293
R608	284	R618	253	R628	273	---	---	R648	263	---	---	R668	255
---	---	R619	249	R629	253	R639	254	---	---	---	---	R669	255
R610	248	R620	254	R630	253	R640	254	R650	270	R660	270	R670	270

31.CONTROLLER BOARD (G147)

RESISTOR

SYMBOL NO.	INDEX NO.	SYMBOL NO.	INDEX NO.	SYMBOL NO.	INDEX NO.	SYMBOL NO.	INDEX NO.	SYMBOL NO.	INDEX NO.	SYMBOL NO.	INDEX NO.	SYMBOL NO.	INDEX NO.
R671	254	R681	254	---	---	R701	253	R711	244	R721	254	---	---
R672	270	R682	302	R692	291	R702	273	R712	244	R722	261	R732	252
R673	254	---	---	R693	308	R703	254	R713	244	R723	286	R733	275
---	---	R684	254	R694	251	R704	270	R714	270	R724	290	R734	270
R675	254	R685	254	R695	262	---	---	---	---	R725	267	R735	275
R676	283	---	---	R696	251	R706	270	---	---	---	---	---	---
R677	283	R687	291	R697	251	---	---	---	---	R727	254	R737	244
---	---	R688	300	R698	270	R708	252	R718	270	R728	244	R738	244
R679	305	R689	270	---	---	---	---	---	---	R729	275	R739	275
R680	297	R690	254	R700	270	R710	244	R720	244	R730	252	R740	275

RESISTOR

SYMBOL NO.	INDEX NO.	SYMBOL NO.	INDEX NO.	SYMBOL NO.	INDEX NO.	SYMBOL NO.	INDEX NO.	SYMBOL NO.	INDEX NO.	SYMBOL NO.	INDEX NO.	SYMBOL NO.	INDEX NO.
---	---	R751	270	R761	270	R771	291	---	---	RN1	169	RN11	232
---	---	R752	270	R762	270	---	---	---	---	RN2	169	RN12	169
R743	267	R753	270	R763	254	R773	273	---	---	RN3	169	RN13	232
R744	244	R754	270	---	---	R774	273	---	---	RN4	232	RN14	236
R745	244	R755	270	R765	270	R775	255	R785	254	RN5	232	RN15	232
R746	244	R756	270	R766	270	R776	255	R786	270	RN6	232	RN16	232
R747	270	R757	270	R767	270	---	---	R787	254	RN7	232	RN17	236
R748	270	R758	270	R768	270	R778	270	R788	255	RN8	232	RN18	232
R749	270	R759	270	R769	270	---	---	R789	255	RN9	236	RN19	236
R750	270	R760	270	R770	291	---	---	R790	255	RN10	232	RN20	232

RN

31.CONTROLLER BOARD (G147)

RN

SYMBOL NO.	INDEX NO.	SYMBOL NO.	INDEX NO.	SYMBOL NO.	INDEX NO.	SYMBOL NO.	INDEX NO.	SYMBOL NO.	INDEX NO.	SYMBOL NO.	INDEX NO.	SYMBOL NO.	INDEX NO.
RN21	232	RN31	168	RN41	238	RN51	239	RN61	170	RN71	233	RN81	236
RN22	171	RN32	240	RN42	238	---	---	RN62	170	RN72	241	---	---
RN23	236	RN33	240	RN43	237	RN53	232	RN63	171	RN73	174	RN83	166
RN24	175	RN34	236	RN44	168	RN54	232	RN64	169	RN74	232	RN84	172
RN25	169	RN35	173	RN45	237	RN55	232	RN65	171	RN75	241	---	---
RN26	236	---	---	RN46	232	RN56	169	RN66	167	RN76	233	RN86	232
RN27	240	RN37	234	RN47	240	RN57	232	---	---	RN77	235	RN87	233
RN28	236	RN38	237	RN48	232	RN58	232	RN68	240	RN78	241	RN88	233
RN29	240	RN39	238	RN49	169	RN59	169	RN69	175	RN79	171	---	---
RN30	236	RN40	238	RN50	239	RN60	170	RN70	241	RN80	169	RN90	167

RN

SYMBOL NO.	INDEX NO.	SYMBOL NO.	INDEX NO.
RN91	167	---	---
RN92	233	---	---
RN93	233	---	---
RN94	167	---	---
RN95	232	---	---
RN96	232	RN366	237
---	---		
---	---		
---	---		
---	---		

Q

SYMBOL NO.	INDEX NO.
SM	113

31.CONTROLLER BOARD (G147)

Index No.	Part No.	Description	Q'ty Per Assembly
*	G147 5106	PCB:Control Board	1
1	B180 5891	ASIC:TRUMPET3	1
2	G133 5760	ASIC:QUENA2	1

Index No.	Part No.	Description	Q'ty Per Assembly
101	1102 5303	Connector - 4P	
102	1102 7615	Connector - B8B-XH-A	
103	1102 8329	Connector - USB - UBB-4R-D14C	
104	1102 9336	Connector:FPS009-2300-0	
105	1102 9535	Connector - 200PS-JUK-G-B	
106	1102 9686	Connector - RHM-176P-SDK11-U1L1C	
107	1102 9689	Connector 2-440091-4	
108	1102 9887	Connector:52588-3090	
109	1102 9890	Connector:5-1605706-2	
110	1102 9928	Connector:29 6406 200 000 856	
111	1104 0764	IC Socket - 8 PIN	
112	1107 1099	Fuse Sst 5	
113	1204 1543	Dip Switch	
114	1206 0115	Lithium Cell - CR1632/V1A	
115	1400 0730	Transistor - 2SD1782K	
116	1401 1209	IC - HAT2093R	
117	1401 1228	Fet:SI3433DV-E3	
118	1401 1296	Fet:TPC8115	
119	1401 1320	Fet - TPC8107	
120	1401 1354	Fet Array:SI4804BDY-E3	
121	1402 1336	Diode - 1SS355	
122	1402 1365	Diode-RD751V-40	
123	1402 1698	Diode - RB	
124	1402 1709	Diode:EC21QS06G	
125	1403 1131	LED:SML-311UT	
126	1407 4919	IC - 74VHCT244 TSSOP	
127	1407 5274	CMOS Logic - 74LVCH162244A TSSOP	
128	1407 5300	CMOS Logic - 74LVC16244A TSSOP	
129	1407 5334	IC - CMOS LOGIC 74LVC244A TSSOP	
130	1407 5345	IC-NS74LV04APW	
131	1407 5369	IC - SN74AHCT32PW	
132	1407 5377	IC - SN74AHCT1G08DCK	
133	1407 5469	IC - SN74LV07APW	
134	1407 5508	IC - SN74LV125APW	
135	1407 5520	IC - SN74LVC125APW	

Index No.	Part No.	Description	Q'ty Per Assembly
136	1407 5523	ROM - I2C SOP 3V	
137	1407 5604	IC - SN74LVC16245ADGG	
138	1407 5868	Ethernet Cont LSI - DP83847ALQA56A	
139	1407 6101	IC - SN74LVC2G17DCK	
140	1407 6123	IC SN74LVC2G125DCU	
141	1407 6127	Clock Generator:ICS960008AFLF	
142	1407 6145	IC:SN74LVC373APW	
143	1407 6161	Clock Generator-ICS960009AFLF	
144	1407 6187	CMOS Logic - SN74LVC1G07DCK	
145	1407 6205	CMOS Logic - SN74LVC1G06DCK	
146	1407 6265	Real Time Clock:R2025S	
147	1407 6335	CMOS Logic:SN74LVC1G17DCK	
148	1407 6453	CPU - RM7035C-466I-Rev1.1	
149	1407 6521	CMOS Logic:TC74VHCT14AFT(K)	
150	1407 6585	CMOS Logic:SN74AHCT1G32DCK	
151	1407 6673	CMOS Logic:SN74LVC2G126DCT	
152	1408 1778	IC:R3112Q101A	
153	1408 1825	IC - R3112Q121A	
154	1408 1826	IC - R3112Q421A	
155	1408 1925	IC:LTC1778EGN#PBF	
156	1408 1956	IC:LTC3728LXCUH#TRPBF	
157	1408 1960	IC:LP2996LQ/NOPB	
158	1408 1975	IC - TPS62040DGQ	
159	1408 2034	IC:TPS62042DGQ	
160	1408 2053	IC:R3112Q291A-FA	
161	1408 2066	IC:TPS54310PWP	
162	1503 0842	Oscillator - 14.31818MHZ	
163	1503 1181	Crystal Oscillator:30mhz	
164	1503 1304	Crystal Oscillator:25mhz	
165	1503 1309	Crystal Oscillator - 25mhz	
166	1601 7877	Resistor Array 4.7k Ω \pm 5% 1/32W	
167	1601 7887	Resistor Array - 10K Ω \pm 5% 1/32W	
168	1601 7896	Resistor Array - 56 Ω \pm 5% 1/32W	
169	1601 7898	Resistor Array	
170	1601 7909	Resistor Array - 10 Ω \pm 5% 1/32W	

Index No.	Part No.	Description	Q'ty Per Assembly
171	1601 7913	Resistor 22 Ω \pm 5% 1/32W	
172	1601 7959	Resistor	
173	1601 7960	Resistor Array - 100 Ω \pm 5% 1/16W	
174	1601 7981	Resistor Array - 100K Ω \pm 5%1/16W	
175	1601 7994	Resistor - 8.2K Ω \pm 5% 1/16W	
176	1604 4630	Capacitor - 100 μ F \pm 20% 6.3V	
177	1604 4728	Capacitor - 100 μ F \pm 20% 16V	
178	1604 4994	Capacitor - 100 μ F \pm 20% 6.3V	
179	1604 5102	Capacitor:33uf: \pm 20%:16V	
180	1604 5336	Capacitor:47uf: \pm 20%:20V	
181	1605 1081	Capacitor - 10 μ F+80-20% 25V	
182	1605 1124	Capacitor - 4.7 μ F+80 -20% 10V	
183	1605 1165	Capacitor:680pF: \pm 5%:50V	
184	1605 1195	Capacitor:4pf: \pm 0.25pF:50V	
185	1605 1197	Capacitor - 6PF \pm 0.5pF 50V	
186	1605 1200	Capacitor - 10PF \pm 0.5pF 50V	
187	1605 1204	Capacitor-pF50v	
188	1605 1205	Capacitor - 33pF \pm 5% 50V	
189	1605 1206	Capacitor - 47pF \pm 5% 50V	
190	1605 1207	Capacitor - 68pF \pm 5% 50V	
191	1605 1208	Capacitor:100pF: \pm 5%:50V	
192	1605 1209	Capacitor - 150pF \pm 5% 50V	
193	1605 1210	Capacitor:180pF: \pm 5%:50V	
194	1605 1212	Capacitor - 470pF \pm 10% 50V	
195	1605 1214	Capacitor - 1000pF \pm 10% 50V	
196	1605 1216	Capacitor - 2200pF \pm 10%50V	
197	1605 1221	Capacitor - 0.1 UF+80-20%16V	
198	1605 1240	Capacitor - 0.01 μ F \pm 10% 25V	
199	1605 1249	Capacitor:0.047uf: \pm 10%:16V	
200	1605 1282	Capacitor:22uf:+80-20%:10V	
201	1605 1283	Capacitor - 680pF \pm 10% 50V	
202	1605 1284	Capacitor:1500pF: \pm 10%:50V	
203	1605 1288	Capacitor - 220pF \pm 5% 50V	
204	1605 1289	Capacitor - 0.1 μ F \pm 10% 10V	
205	1605 1294	Resistor - 1000pF \pm 5% 50V	




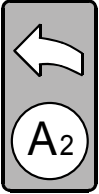
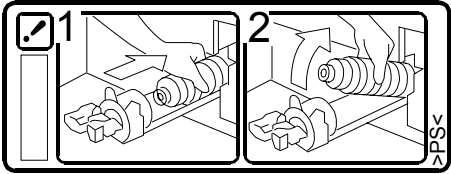
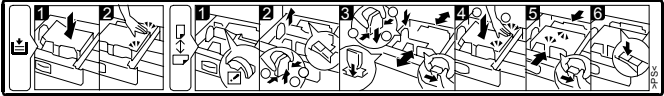
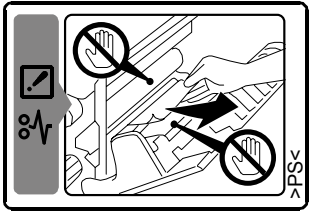
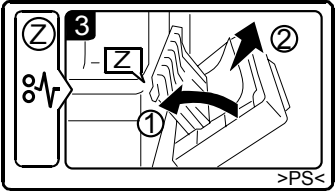
Index No.	Part No.	Description	Q'ty Per Assembly
206	1605 1295	Capacitor:10uf:+80-20%:10V	
207	1605 1296	Capacitor - 330pF ±10% 50V	
208	1605 1299	Resistor - 56pF ±5% 50V	
209	1605 1303	Capacitor - 0.01μF+80-20% 50V	
210	1605 1307	Capacitor - 2.2μF+80-20% 11V	
211	1605 1347	Capacitor - 1UF:+80-20%:16V	
212	1605 1353	Capacitor - 0.1μF±10% 25V	
213	1605 1354	Capacitor:1200pF:±5%:50V	
214	1605 1359	Capacitor - 10UF:±20%:16V	
215	1605 1391	Capacitor - 22UF:±20%:6.3V	
216	1605 1406	Capacitor - 10μF±10% 6.3V	
217	1605 1417	Capacitor:47uf:+80-20%:10V	
218	1605 1466	Resistor - 4.7μF+80-20% 10V	
219	1607 0978	Inductor - BLM21P300SPB	
220	1607 1051	Filter -FBMJ2125HS420	
221	1607 1061	Filter - BLM11P300SPB	
222	1607 1228	Inductor - SLF7045-4R7M2R0	
223	1607 1351	Filter BLM21PG221SN1B	
224	1607 1362	Coil - ACM3225-800-2P	
225	1607 1471	Inductor:LB2518B6R8M	
226	1607 1477	Inductor - RLF7030-4R7M3R4	
227	1607 1489	Filter - MMZ1608B301C	
228	1607 1556	Inductor:RLF7030-1R5N6R1	
229	1607 1567	Filter:MPZ2012S101A	
230	1607 1650	Inductor:RLF7030-6R8M2R8	
231	1607 1827	Inductor:RLF7030-2R2M5R4	
232	1609 0005	Registor:33 Ω:±5%:1/16W	
233	1609 0006	Registor:10k Ω:±5%:1/16W	
234	1609 0007	Resistor - 68Ω ±5% 1/16W	
235	1609 0008	Registor:4.7k Ω:±5%:1/16W	
236	1609 0011	Registor:22Ω:±5%:1/16W	
237	1609 0016	Registor:56 Ω:±5%:1/16W	
238	1609 0019	Registor:0 Ω:1608	
239	1609 0020	Registor:10 Ω:±5%:1/16W	
240	1609 0026	Resistor - 47Ω ±5% 1/16W	

Index No.	Part No.	Description	Q'ty Per Assembly
241	1609 0027	Resistor - 100KΩ±5% 1/16W	
242	1610 1775	Resistor - 0.03 Ω ±1% 1W	
243	1610 1804	Resistor:0.006 Ω:±1%:1W	
244	1632 0000	Resistor - 0 Ω 1/8W	
245	1634 0000	Resistor - 0 Ω 1/16W	
246	1650 4100	Resistor - 10Ω ±5% 1/10W	
247	1650 4220	Chip Resistor - 22Ω ±5% 1/10W	
248	1650 4330	Chip Resistor - 33Ω ±5% 1/10W	
249	1650 4470	Resistor - 47Ω±5%1/10W	
250	1650 4560	Chip Resistor - 56Ω ±5% 1/10W	
251	1650 5100	Chip Resistor - 10 Ω±5%1/16W	
252	1650 5101	Chip Resistor - 100 Ω±5%1/16W	
253	1650 5102	Chip Resistor - 1kΩ±5%1/16W	
254	1650 5103	Chip Resistor - 10kΩ±5%1/16W	
255	1650 5104	Chip Resistor - 100kΩ±5%1/16W	
256	1650 5105	Chip Resistor - 1mΩ±5%1/16W	
257	1650 5109	Chip Resistor 1Ω ±5% 1/16W	
258	1650 5122	Chip Resistor - 1.2kΩ±5%1/16W	
259	1650 5150	Resistor - 15Ω ±5% 1/16W	
260	1650 5152	Chip Resistor:1.5kΩ:±5%:1/16W	
261	1650 5153	Chip Resistor - 15kΩ ±5% 1/16W	
262	1650 5202	Chip Resistor:2kΩ:±5%:1/16W	
263	1650 5220	Resistor - 22Ω ±5% 1/16W	
264	1650 5221	Chip Resistor - 220Ω±5%1/16W	
265	1650 5222	Resistor - 2.2KΩ ±5% 1/16W	
266	1650 5229	Resistor:2.2 Ω:±5%:1/16W:1005	
267	1650 5271	Chip Resistor 270Ω ±5% 1/16W	
268	1650 5272	Chip Resistor:2.7kΩ:±5%:1/16W	
269	1650 5273	Resistor:27kΩ:±5%:1/16W	
270	1650 5330	Chip Resistor - 33Ω±5%1/16W	
271	1650 5360	Resistor - 36Ω ±5% 1/16W	
272	1650 5470	Chip Resistor 47Ω ±5% 1/16W	
273	1650 5472	Chip Resistor:4.7kΩ:±5%:1/16W	
274	1650 5510	Chip Resistor - 51Ω±5%1/16W	
275	1650 5512	Chip Resistor 5.1kΩ ±5% 1/16W	

Index No.	Part No.	Description	Q'ty Per Assembly
276	1650 5513	Chip Resistor:51kΩ:±5%:1/16W	
277	1650 5514	Chip Resistor:510kΩ:±5%:1/16W	
278	1650 5560	Chip Resistor 56Ω ±5% 1/16W	
279	1650 5562	Chip Resistor:5.6kΩ:±5%:1/16W	
280	1650 5621	Chip Resistor 620Ω ±5% 1/16W	
281	1650 5680	Resistor - 68Ω ±5% 1/16W	
282	1650 5681	Chip Resistor:680Ω:±5%:1/16W	
283	1650 5683	Chip Resistor 68kΩ ±5% 1/16W	
284	1650 5750	Chip Resistor:75Ω:±5%:1/16W	
285	1650 5820	Chip Resistor:82Ω:±5%:1/16W	
286	1650 5822	Chip Resistor:8.2kΩ:±5%:1/16W	
287	1650 5823	Chip Resistor:82kΩ:±5%:1/16W	
288	1653 4999	Resistor - 49.9Ω ±1% 1/8W	
289	1653 5499	Resistor - 54.9Ω ±1% 1/8W	
290	1654 1501	Resistor - 1.5K Ω ±1% 1/10W 1608	
291	1655 0000	Chip Resistor - 0Ω±0%1/16W	
292	1655 1002	Chip Resistor - 10kΩ±1%1/16W	
293	1655 1102	Resistor - 11KΩ ±1% 1/16W	
294	1655 1301	Chip Resistor:1.3kΩ:±1%:1/16W	
295	1655 1502	Resistor - 15KΩ ±1% 1/16W	
296	1655 1602	Resistor:16k Ω:±1%:1/16W	
297	1655 1651	Resistor:1.65k Ω:±1%:1/16W:1005	
298	1655 1800	Chip Resistor:180Ω:±1%:1/16W	
299	1655 1912	Resistor:19.1k Ω:±1%:1/16W	
300	1655 2002	Chip Resistor - 20kΩ±1%1/16W	
301	1655 2402	Resistor - 24KΩ ±1% 1/16W	
302	1655 3000	Chip Resistor:300Ω:±1%:1/16W	
303	1655 3402	Resistor:34k Ω:±1%:1/16W	
304	1655 3900	Resistor:390 Ω:±1%:1/16W	
305	1655 4321	Resistor:4.32k Ω:±1%:1/16W	
306	1655 4701	Chip Resistor - 4.7kΩ±1%1/16W	
307	1655 4703	Resistor - 470KΩ ±1% 1/16W	
308	1655 6342	Resistor:63.4k Ω:±1%:1/16W	
309	1655 8202	Resistor - 82KΩ ±1% 1/16W	
310	1655 9761	Resistor:9.76k Ω:±1%:1/16W	

Index No.	Part No.	Description	Q'ty Per Assembly
311	1660 2101	Capacitor - 100pF - ±10% - 50V	
312	1660 2121	Capacitor - 120pF ±5% 50V	
313	1660 2470	Capacitor - 47pF ±5% 50V	
314	1660 2471	Capacitor - 470pF - ±5% - 50V	
315	1660 4102	Capacitor - 1000pF ±10% 50V	
316	1660 4472	Capacitor - 4700pF±10% 50V	
317	1660 8104	Capacitor - 0.1μF+80-20% 25V	
318	1906 0105	Flash Memory:S29GL128N10TFI020	

32.DECAL AND DOCUMENT (G147)

<p>1</p> 	<p>2</p> 	<p>5</p> 
<p>3</p> 	<p>4</p> 	<p>6</p> 
<p>7</p> 	<p>8</p> 	

32.DECAL AND DOCUMENT (G147)

9

11

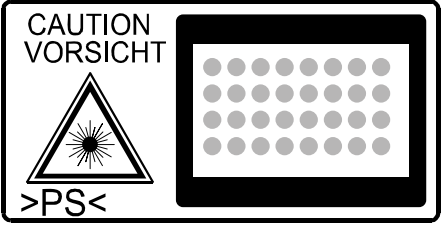
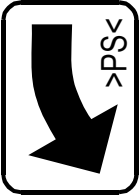
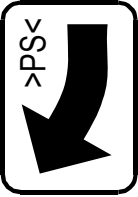

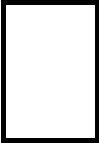
	A3	A4	11X17	5 1/2 X 8 1/2
	A3	B4	11X17	8 1/2 X 11
1	A4	B5	11X17	8 1/2 X 11
2	A4	B5	11X17	11X15
3	A4		11X17	10X14
4	A4		11X17	8X10 1/2
	A4	A5	11X17	8X10
	F	F	*	*

10

12

13

32.DECAL AND DOCUMENT (G147)

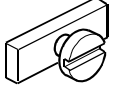
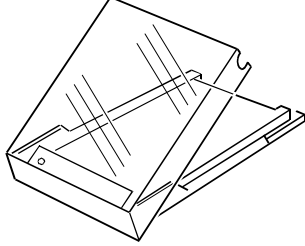
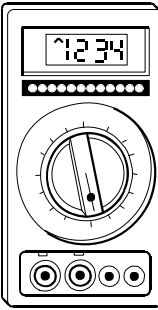
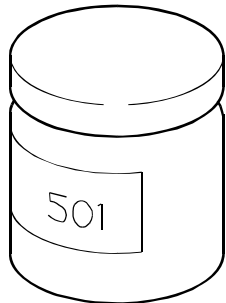
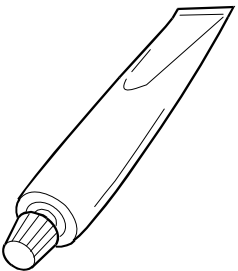
<p>14</p> 	<p>15</p> 	<p>16</p> 
<p>17</p> 	<p>18</p> 	

32.DECAL AND DOCUMENT (G147)

Index No.	Part No.	Description	Q'ty Per Assembly
1	A232 1381	Decal - Total Counter	1
2	AA00 0204	Decal - Right Lower Cover	1
3	AA00 1393	Decal - A2	1
4	B004 3265	Caution Decal - Toner Supply	1
5	B004 4851	Decal - Jam Removal	1
6	B082 2965	Decal:Paper Set Direction	1
7	B082 3992	Decal:Drum:Belt	1
8	B082 4852	Decal:Duplex	1
9	B082 4853	Decal:Duplex Unit:Upper	1
10	B082 6073	Decal:Manual Feed Direction	1
11	B082 6400	Decal:Size Indication	1
12	B213 2967	Decal:Paper Select:Dial:EXP	1
13	B213 4122	Decal:Warning (High Temperature)	1
14	G029 1980	Decal - LD	1
15	G034 3811	Front Decal - Transfer Unit	1
16	G034 3812	Rear Decal - Transfer Unit	1
17	G056 2381	Decal - Energy Star/postscript	1
18	G147 1383	Decal	1

Index No.	Part No.	Description	Q'ty Per Assembly

33.SPECIAL TOOLS (G147)

<p>1</p> 	<p>2</p> 	<p>5</p> 
<p>3</p> 	<p>4</p> 	

33.SPECIAL TOOLS (G147)

Index No.	Part No.	Description	Q'ty Per Assembly
1	A230 9004	Positioning Pin Laser Unit	1
2	N803 1000	Case - Flash Memory Card	1
3	5203 9502	Grease 501	1
4	A257 9300	Grease Barrierta JFE 55/2	1
5	VSSM 9000	Digital Multimeter - FLUKE87	1

Index No.	Part No.	Description	Q'ty Per Assembly

G147

PARTS INDEX

This section instructs you as to the numbers and names of parts on this machine

PM Parts Index

Section Name	Part No.	Description in Service Manual	Description in Parts Catalog	Q'ty Per Assembly	Page and Index No.
BY-PASS FEED SECTION 2 (G147)	AF03 0049	Pick Up Roller (By-pass)	Pick-up Roller	1	11 - 22
	AF03 1046	Feed Roller (By-pass)	Feed Roller - Manual Feed	1	11 - 40
	AF03 2046	Separation Roller (By-pass)	Separation Roller - Manual Feed	1	11 - 2
PAPER REGISTRATION 1 (G147)	AF03 0090	Pick-up Roller (Paper Tray)	Paper Feed Roller:Pickup	1	13 - 6
	AF03 1090	Feed Roller (Paper Tray)	Paper Feed Roller:Feed	1	13 - 9
	AF03 2090	Separation Roller (Paper Tray)	Paper Feed Roller:Separate	1	13 - 29
PCU UNIT 2 (G147)	G790 2329	Cleaning Roller	Brush Roller:Cleaner:Charge	1	23 - 22
	A232 2353	Drum Cleaning Blade	Cleaning Blade Ass'y	1	23 - 21
	AD02 5021	Pick-off Pawl	Pick-off Pawl	2	23 - 7
	AD02 7012	Charge Roller	Roller:Charge:Apply	1	23 - 23
TRANSFER UNIT 1 (G147)	A232 3880	Transfer Belt	Transfer Belt	1	25 - 7
	B213 3831	Transfer Belt Cleaning Blade	Cleaning Blade:Transfer Belt	1	25 - 1
DEVELOPMENT UNIT (G147)	AA01 2131	Development Filter	Filter:Development	1	29 - 7
FUSING UNIT (G147)	AE01 1115	Hot Roller	Hot Roller:T0.4:Hb	1	31 - 18
	AE02 0125	Pressure Roller	Pressure Roller Mm32 Ass'y	1	31 - 24
	AE04 4056	Hot Roller Strippers	Stripper Pawls	7	31 - 11

Parts Index

Part No.	Description	Page and Index No.
G147 1071	Bracket:Micro Switch:Ass'y	49 - 6
G147 1250	Cover:Upper	5 - 12
G147 1258	Cap:IC Card	5 - 16
G147 1372	Inner Cover:Upper	5 - 27
G147 1383	Decal	93 - 18
G147 1383	Decal	3 - 10
G147 1384	Decal:Paper Jam	5 - 34
G147 1503	Operation Panel:NA	5 - 28
G147 1504	Cover:Fusing:Upper	5 - 33
G147 1540	Harness:Operation Panel	5 - 29
G147 2204	PCU	23 - 1
G147 2204	PCU	21 - 1
G147 2310	Bracket:Cleaning Blade	23 - 16
G147 2316	Stud:Contact Point:Cleaning	23 - 2
G147 3005	Development Unit:P4:EXP:Ass'y	29 - 1
G147 3940	Cover:Right	27 - 33
G147 4231	Flanged Hexagonal Head Bolt:M3x8	5 - 4
G147 5065	PCB:BICU	49 - 18
G147 5065	PCB:BICU	71 - *
G147 5106	PCB:Control Board	87 - *
G147 5106	PCB:Control Board	57 - 7
G147 5155	PCB:IOB	63 - *
G147 5155	PCB:IOB	49 - 20
G147 5180	PCB:MB	57 - 2
G147 5411	Harness:Bank:Connecting	49 - 29
G147 5454	Harness:DC:Development:Drawer	45 - 25
G147 5464	Harness:DC:Main:Upper	49 - 31
G147 5466	Harness:Sensor	27 - 7
G147 5467	Harness:New Article Sensor	53 - 5
G147 5470	Harness:Operation Panel	57 - 1
G147 5521	Harness:DC:Joint Unit:Safety Switch	49 - 7
G147 5523	Harness:DC:Safety Switch	51 - 17
G147 6314	COVER:UPPER:P4:EU	5 - 12
G147 6324	Cover:Fusing:Upper:EU	5 - 33
G147 6431	Sheet:Emblem:RIC:EXP	3 - 3

Part No.	Description	Page and Index No.
G147 6432	Sheet:Emblem:SVN	3 - 3
G147 6433	Sheet:Emblem:GES:NA	3 - 3
G147 6434	Sheet:Emblem:GES:EU	3 - 3
G147 6435	Sheet:Emblem:NSA	3 - 3
G147 6436	Sheet:Emblem:REX	3 - 3
G147 7320	Fusing Unit:Na	31 - 2
G147 7720	Fusing Unit:Eu	31 - 2

Part No.	Description	Page and Index No.
A134 2661	Feeler Roller	11 - 17
A134 3180	Bottle Chuck	19 - 11
A230 2693	Front Stopper	55 - 15
A230 9004	Positioning Pin Laser Unit	95 - 1
A230 9510	OPC Drum	23 - 3
A232 1172	Duct - Cooling Fan	51 - 2
A232 1252	Duct - Upper Cover	5 - 23
A232 1257	Cap - Upper Cover	5 - 13
A232 1284	Spring Holder	21 - 23
A232 1284	Spring Holder	5 - 6
A232 1284	Spring Holder	15 - 17
A232 1381	Decal - Total Counter	93 - 1
A232 1381	Decal - Total Counter	5 - 24
A232 1900	Housing - Laser Unit	7 - 4
A232 1920	Seal - Heatsink	7 - 14
A232 1921	Front Holder - F Theta Mirror	7 - 24
A232 1922	Rear Holder - F Theta Mirror	7 - 25
A232 1923	Front Holder - BTL	7 - 21
A232 1924	Rear Holder - BTL	7 - 22
A232 1925	Middle Mirror Holder	7 - 19
A232 1926	Mirror Holder	7 - 18
A232 1927	Cylindrical Lens Holder	7 - 15
A232 1928	Holder - Sync. Detector Mirror	7 - 28
A232 1937	Positioning Pin - Laser Unit Ass'y	53 - 3
A232 2280	Tape - Entrance Seal	21 - 25
A232 2288	Shaft - Toner Collection Mylar	21 - 12
A232 2289	Front Bushing - Collection Mylar	21 - 11
A232 2290	Bushing - Collection Mylar	21 - 14
A232 2292	Bushing - Toner Collection Coil	21 - 9
A232 2315	Front Bushing - Cleaning Bracket	23 - 13
A232 2318	Collar - Cleaning	23 - 17
A232 2339	Spur	23 - 5
A232 2340	Holder - Pick-off Pawl	23 - 4
A232 2348	Seal - Blade 12x7x3	21 - 22
A232 2350	Seal - Entrance	21 - 24

Part No.	Description	Page and Index No.
A232 2353	Cleaning Blade Ass'y	23 - 21
A232 2366	Holder - ID Sensor	15 - 15
A232 2372	Lock Lever - Transfer Unit	45 - 2
A232 2380	Terminal Plate - Change Roller	45 - 15
A232 2382	Terminal Plate - Development Bias	45 - 16
A232 2399	Seal - Blade 13x9.5x3	21 - 27
A232 2401	Shield - Blade - Upper	21 - 28
A232 2414	Seal - 2x20x45	21 - 20
A232 2421	Bushing - 6x10x3	23 - 19
A232 2578	Stopper - Guide Plate	15 - 7
A232 2692	Cover - Paper Drive	55 - 2
A232 2762	Paper End Feeler	13 - 26
A232 2763	Pick-up Arm	13 - 12
A232 2764	Rear Grounding Plate	13 - 23
A232 2765	Front Grounding Plate	13 - 27
A232 2766	Feed Mylar	13 - 25
A232 2787	Vertical Transport Guide	13 - 3
A232 2860	Entrance Seal	3 - 23
A232 2863	Stopper Band	3 - 17
A232 2987	Roller - Paper Tray	17 - 17
A232 2995	Front Positioning Guide	55 - 17
A232 2996	Rear Positioning Guide	47 - 26
A232 3067	Tape - TD Sensor	29 - 29
A232 3068	Front Bias Terminal - Development	29 - 17
A232 3069	Rear Bias Terminal - Development	29 - 31
A232 3077	Spacer - M5	29 - 26
A232 3131	Front Shield - Development Sleeve	29 - 5
A232 3132	Rear Shield - Development Sleeve	29 - 6
A232 3150	Entrance Seal Ass'y	29 - 3
A232 3155	Front Cover - Development Unit	29 - 10
A232 3233	Case:Toner Supply Unit:Ass'y	19 - 7
A232 3240	Cover- Toner Bottle Ass'y	19 - 12
A232 3251	Chuck Shaft	19 - 9
A232 3252	Slider Ass'y	19 - 10
A232 3261	Handle - Toner Supply	19 - 5

Part No.	Description	Page and Index No.
A232 3263	Spring Plate - Toner Bottle	19 - 6
A232 3264	Stopper - Slide Rail	53 - 7
A232 3266	Seal - Slide Rail	19 - 2
A232 3267	Front Entrance Seal - Toner Supply	21 - 18
A232 3880	Transfer Belt	25 - 7
A232 3883	Spring Plate - Transfer Unit	25 - 27
A232 3885	Driven Roller - Transfer Unit	25 - 28
A232 3887	Rear Terminal - Transfer Belt	25 - 29
A232 3891	Bias Terminal	25 - 34
A232 3893	Arm - Transfer Belt	25 - 36
A232 3905	Seal - Shield Plate	25 - 6
A232 3906	Seal - Rear Transfer Exit	25 - 5
A232 3907	Seal - Transfer Exit	25 - 4
A232 3908	Seal - Rear Case	25 - 11
A232 3909	Seal - Front Case	25 - 10
A232 3916	Pressure Lever - Transfer Belt	25 - 19
A232 3921	Spring Anchor	25 - 18
A232 3924	Rear Bushing - Cleaning Holder	25 - 24
A232 3925	Front Bushing - Cleaning Holder	25 - 13
A232 3926	Transfer Belt Roller	25 - 35
A232 3927	Shield - Transfer Belt - Exit	25 - 9
A232 3941	Fulcrum Pin - Right Cover	27 - 34
A232 3942	Stopper - Right Cover	27 - 35
A232 3945	Front Hook - Right Cover	27 - 25
A232 3948	Rear Hook - Right Cover	27 - 29
A232 3950	Hook Lever	27 - 8
A232 3962	Spring Plate - Band Stopper	27 - 9
A232 3963	Band Stopper	27 - 10
A232 3998	Upper Entrance Guide	27 - 21
A232 3999	Lower Entrance Guide	27 - 22
A232 4057	Front Collar - Pressure Lever	31 - 30
A232 4058	Rear Collar - Pressure Lever	31 - 33
A232 4064	C Ring - Hot Roller	31 - 16
A232 4201	Stopper - Fusing Unit	53 - 15
A232 4499	Copy Tray Mylar	5 - 14

Part No.	Description	Page and Index No.
A232 4647	Driven Guide Plate	37 - 20
A232 4653	Pressure Plate - Guide Plate	37 - 15
A232 4685	Hook - Unit Release	39 - 1
A232 5410	Finisher Connector	51 - 10
A232 5838	Spring Plate - BICU	3 - 26
A232 6023	Grounding Plate - Reverse	11 - 15
A232 6035	Shaft - Drive Roller	11 - 9
A232 6043	Arm Paper Pick Up	11 - 20
A232 6046	Grounding Plate - Feed	11 - 25
A232 6055	Paper End Feeler	11 - 16
A232 6082	Front Rack	9 - 12
A232 6083	Rear Rack	9 - 14
A232 6091	Positioning Pin	9 - 7
A232 6092	Roller - Holder	9 - 18
A235 2979	Feeler - Paper Height Sensor	17 - 29
A235 4496	Sensor Actuator	5 - 40
A257 9300	Grease Barrierta JFE 55/2	95 - 4
A284 1376	Inner Cover-left	5 - 25
A284 1904	Cover - Optical Housing	7 - 2
B002 1898	Heat Sinker:Polygon Scanner:M:Ass'y	7 - 13
B004 1167	Flange - 24mm	47 - 5
B004 1177	Spacer - By-pass Feed	47 - 11
B004 1320	Base Cover	55 - 8
B004 1321	Shield Plate - BICU	45 - 22
B004 1322	Shield Plate - DC Motor	45 - 23
B004 1325	Cover - Shield Glass	5 - 44
B004 1936	Plate - Optical Housing Unit	45 - 29
B004 1938	Holder - Optical Housing Unit	45 - 27
B004 1939	Holder - Optical Housing Unit	45 - 28
B004 2215	Entrance Seal - Toner Supply	21 - 29
B004 2310	Spur	15 - 14
B004 2597	Sheet - Separation Plate	55 - 9
B004 2782	Rear Feed Mylar	13 - 2
B004 2783	Torque Limiter	11 - 3
B004 2783	Torque Limiter	13 - 30

Part No.	Description	Page and Index No.
B004 2922	Release Lever - Side Fence	17 - 7
B004 2923	Spring Plate - Release Lever	17 - 6
B004 2932	Rear Stopper Lever	17 - 11
B004 2933	Rear Stopper	17 - 12
B004 2934	Spring Plate - Lock Lever	17 - 13
B004 2936	Gear - 16Z	17 - 18
B004 2943	Grounding Plate - Paper Tray	17 - 22
B004 2947	Spring Plate-paper Size Sensor	17 - 19
B004 2948	Paper Size Sensor	17 - 21
B004 2995	Cap - Positioning	55 - 5
B004 3062	Ground Plate- Doctor Blade	29 - 24
B004 3063	Density Sensor:Development:Z	29 - 30
B004 3078	Joint - Paddle	29 - 25
B004 3209	Toner Supply Unit:Ass'y	19 - 1
B004 3215	Toner Bottle Holder	53 - 8
B004 3265	Caution Decal - Toner Supply	93 - 4
B004 3265	Caution Decal - Toner Supply	19 - 14
B004 3900	Case - Transfer Unit	25 - 12
B004 3914	Mylar - Belt Drive Roller	25 - 3
B004 4087	Plate- Thermistor	31 - 41
B004 4095	Terminal Plate - Fusing Unit	31 - 15
B004 4126	Lower Entrance Guide Plate	31 - 38
B004 4133	Cap- Fusing Cover	31 - 3
B004 4135	Guide Plate-fusing Exit	31 - 7
B004 4322	Guide Plate - Fusing Exit	27 - 17
B004 4327	Bushing - 4mm	27 - 13
B004 4329	Grounding Plate - Exit Sensor	27 - 20
B004 4434	Harness Guide	33 - 1
B004 4438	Bushing	35 - 5
B004 4440	Middle Guide - Paper Exit	5 - 15
B004 4453	Lower Guide Plate	35 - 15
B004 4458	Pressure Arm - Exit	33 - 8
B004 4469	Spring Plate - Exit Roller	33 - 3
B004 4477	Upper Guide Plate	35 - 7
B004 4479	Lever - Entrance Junction Gate	35 - 12

Part No.	Description	Page and Index No.
B004 4481	Exit Junction Gate	35 - 11
B004 4622	Guide Plate - Right Lower	41 - 6
B004 4645	Guide Plate - Middle	37 - 11
B004 4851	Decal - Jam Removal	37 - 14
B004 4851	Decal - Jam Removal	93 - 5
B004 5842	Gasket - Duplex Unit	37 - 26
B004 6024	Supporting Plate:Contact Point	9 - 26
B004 6062	Pressure Plate - By-pass Feed	11 - 41
B007 4497	Bracket:Plate:Feeler	5 - 39
B007 4498	Discharge Brush:Ass'y	35 - 1
B077 1021	Grip:Adhesion	55 - 14
B077 1023	Stopper:Grip	55 - 13
B077 1051	Bracket:Shaft:Stopper:Ass'y	53 - 4
B077 1053	Bracket:Stay:Lengthwise:Rear	55 - 7
B077 1054	Bracket:Connector:Fusing	51 - 5
B077 1055	Guide Plate:Arm:Scanner Unit	57 - 8
B077 1066	Stay:Paper Exit Sub-unit:Left	53 - 1
B077 1067	Bracket:Plate:Joint Unit	53 - 2
B077 1071	Supporter:Fusing Unit:Welding	53 - 13
B077 1078	Supporter:Development Unit	53 - 16
B077 1126	Bracket:Harness	43 - 20
B077 1140	Supporting Plate:Developmen:Unit	45 - 20
B077 1172	Guide Plate:Upper	47 - 24
B077 1174	Bracket:Middle	47 - 35
B077 1182	Guide Plate:Lower	47 - 25
B077 1252	Cover:Upper Right:Small	5 - 20
B077 1253	Cap:34x55	5 - 17
B077 1264	Cover:Front Upper:Paper Feed Sub-un	3 - 1
B077 1266	Bracket:Hinge:Left	55 - 10
B077 1283	Cover:Left Rear	3 - 11
B077 1285	Cover:Left:Paper Feed Sub-unit	3 - 7
B077 1286	Stopper:Left	3 - 8
B077 1291	Cover:Rear	5 - 36
B077 1298	Cover:Rear:Paper Feed Sub-unit:DOM	5 - 7
B077 1305	Inner Cover:Right	27 - 6

Part No.	Description	Page and Index No.
B077 1904	Cap:Cover:Optical Housing	7 - 7
B077 1907	Supporting Plate:Cover:Imaging Unit	7 - 8
B077 2583	Guide Plate:Entrance:Lower:Adhesion	15 - 26
B077 2594	Bracket:Registration Sensor	15 - 27
B077 2596	Link:Guide Plate:Open And Close	15 - 11
B077 2780	Stay:Feed	13 - 16
B077 2781	Bracket:Sensor (2ND)	13 - 14
B077 2857	Cover:Vertical Transport	3 - 20
B077 2858	Supporting Plate:Upper	3 - 24
B077 2859	Supporting Plate:Lower	3 - 25
B077 2861	Cover:Vertical Transport:Duplex:EU	3 - 20
B077 2876	Cover:Vertical Transport:Lower	3 - 22
B077 2882	Bracket:Micro Switch	55 - 1
B077 2921	Side Fence:Front	17 - 5
B077 2931	Side Fence:Rear	17 - 10
B077 2940	Tray Bottom Plate:Ass'y	17 - 2
B077 2951	Stopper:Right:Paper Tray	17 - 25
B077 2952	Shoe:Left	17 - 16
B077 2975	Lever:Rise	17 - 23
B077 2988	Cover:Grip:C3	17 - 26
B077 3210	Guide:Toner Supply Unit:Ass'y	53 - 6
B077 3262	Slide Rail:Toner Supply Unit	19 - 3
B077 3913	Lever:Rear	25 - 21
B077 3914	Lever:Front	25 - 20
B077 3985	Link:Cover:Ass'y	15 - 9
B077 3999	Lever:Handle:C3	27 - 5
B077 4081	Frame:Fusing:Upper	31 - 9
B077 4092	Bracket:Drawer:Fusing:Welding	31 - 13
B077 4115	Socket:Heater:Rear	31 - 12
B077 4323	Bracket:Paper Feed Sensor	27 - 15
B077 4435	Guide:Copy Tray	5 - 3
B077 4436	Guide:Copy Tray:Auxiliary	5 - 2
B077 4437	Supporting Plate:Frame:Left Lower	33 - 5
B077 4439	Bracket:Protect:Middle	35 - 9
B077 4455	Frame:Left Lower	33 - 4

Part No.	Description	Page and Index No.
B077 4463	Arm:Pressure:Entrance	33 - 11
B077 4471	Side Plate:Front	35 - 17
B077 4490	Supporting Plate:Frame:Right	33 - 14
B077 4493	Joint:Machine Or Copier	33 - 25
B077 4494	Bracket:Paper Feed Sensor	33 - 27
B077 4497	End Fence:Copy Tray:C3	5 - 1
B077 4630	Stay:Lower	41 - 22
B077 4634	Guide Plate:Reverse:Peen	39 - 9
B077 4684	Grip:Un Lock	39 - 10
B077 4697	Bracket:Micro Switch:Ass'y	41 - 11
B077 4701	Cover:Duplex Unit	37 - 24
B077 4710	Guide Plate:Open And Close:Right	37 - 1
B077 4711	Cover:Duplex Unit:Right	37 - 5
B077 4720	Inner Cover:Duplex Unit:Front	37 - 10
B077 4730	Inner Cover:Duplex Unit:Rear	37 - 13
B077 4757	Bracket:Sensor:Paper Feed	41 - 20
B077 4763	Bracket:Entrance Sensor	39 - 3
B077 4795	Bracket:Sensor	41 - 1
B077 4796	Stay:Middle	41 - 4
B077 4800	Bracket:Base	39 - 22
B077 4810	Cover:Harness:Duplex	37 - 6
B077 5811	Bracket:Power Pack:Left	51 - 8
B077 5812	Bracket:Power Pack:Right	51 - 7
B077 5825	Bracket:Connector:Harness	49 - 4
B077 5860	Bracket:Safety Switch	49 - 10
B077 5861	Lever:Safety Switch	49 - 9
B077 5862	Cover:Lever	49 - 11
B077 5865	Lever:Safety Switch:Front	49 - 15
B077 5866	Bracket:Safety Switch	49 - 16
B077 6022	Housing:Manual Feed	11 - 13
B077 6044	Guide Plate:Feed	11 - 24
B077 6065	Rail:Holder	11 - 39
B077 6067	Manual Feed Table	9 - 10
B077 6068	Cover:Manual Feed Table	9 - 11
B077 6069	Side Fence:Front	9 - 21

Part No.	Description	Page and Index No.
B077 6070	Side Fence:Inner Back	9 - 19
B077 6071	Side Fence:Auxiliary:Front	9 - 22
B077 6072	Side Fence:Auxiliary:Rear	9 - 20
B077 6090	Bracket:Support Stay	9 - 6
B077 6106	Cover:Holder:Middle	9 - 1
B077 6107	Cover:Contact Point	9 - 5
B077 6108	Cover:Manual Feed:Inner Back	9 - 4
B077 6109	Cover:Manual Feed:Front	9 - 3
B077 6302	Cover:Left Front:NA	3 - 9
B077 6305	Cover:Left Front:EU	3 - 9
B077 6308	Cover:CSS:EXP	5 - 9
B077 6312	Cover:Upper Right:Small:EU	5 - 20
B077 6322	Inner Cover:Right:Eu	27 - 6
B077 6324	Cover:Left:EU	3 - 7
B077 6325	Cover:Left Rear:EU	3 - 11
B077 6328	Cover:Rear:EU	5 - 36
B077 6330	Cover:Rear:Paper Feed Sub-unit:EU	5 - 7
B079 1144	Timing Pulley:Paddle	45 - 18
B080 4492	Cover:Surface Of Paper Sensor	5 - 5
B080 4493	Bracket:Surface Of Paper Sensor	5 - 43
B082 1072	Stay:Drum:Lower:Ass'y	15 - 18
B082 1076	Stay:Machine Or Copier:Rear	51 - 18
B082 1083	Bracket:BICU:Right Upper	49 - 26
B082 1084	Bracket:BICU:Right Lower	49 - 13
B082 1135	Spring:Bias	45 - 17
B082 1158	Bracket:Belt:Plate	43 - 11
B082 1177	Pulley:MM17	47 - 28
B082 1272	Cover:Right Rear:Duplex	3 - 19
B082 1296	Cover:Rear:Paper Feed Sub-unit	5 - 8
B082 1379	Seal:Side Plate:Front:Switch	5 - 45
B082 2288	Collection Coil:Ass'y	21 - 13
B082 2302	Frame:PCU:Lower:Ass'y	23 - 8
B082 2333	Terminale:Brush Roller	23 - 24
B082 2362	Stay:Around The Photoconductor	53 - 10
B082 2363	Magnet - Discharge Lamp	53 - 11

Part No.	Description	Page and Index No.
B082 2403	Supporter:PCU	15 - 13
B082 2575	Grip:Guide Plate	15 - 24
B082 2602	Case:Cleaner:Registration Roller	15 - 43
B082 2603	Cleaner:Registration Roller:Ass'y	15 - 41
B082 2611	Case:Registration Roller:Ass'y	15 - 44
B082 2781	Bracket:Sensor (1ST)	13 - 14
B082 2785	Guide Plate:Swivel:Adhesion	13 - 1
B082 2920	Side Fence:Front:Ass'y	17 - 4
B082 2925	Shield:Side Fence:Ass'y	17 - 8
B082 2930	Side Fence:Rear:Ass'y	17 - 9
B082 2937	Paper Stopper:Side Fence	17 - 14
B082 2955	Dial:Paper Size Sensor:Printing	17 - 20
B082 2965	Decal:Paper Set Direction	17 - 27
B082 2965	Decal:Paper Set Direction	93 - 6
B082 3867	Shield:Remove Paper Dust	25 - 38
B082 3920	Cleaning Blade Bracket	25 - 2
B082 3992	Decal:Drum:Belt	93 - 7
B082 3992	Decal:Drum:Belt	27 - 23
B082 4054	Positioning Plate Front	31 - 29
B082 4105	Spacer:Frame:Front	31 - 48
B082 4106	Spacer:Frame:Rear	31 - 49
B082 4111	Socket:Heater:Front	31 - 8
B082 4123	Fusing Entrance Guide Plate:Upper	31 - 37
B082 4144	Shield:Fusing Cover	31 - 50
B082 4152	Duct:Fusing:Front Lower	31 - 47
B082 4153	Shield:Duct:Fusing:Front Lower:Long	31 - 46
B082 4199	Shielding Plate:Cover:Right	27 - 24
B082 4852	Decal:Duplex	37 - 9
B082 4852	Decal:Duplex	93 - 8
B082 4853	Decal:Duplex Unit:Upper	93 - 9
B082 4853	Decal:Duplex Unit:Upper	37 - 23
B082 5420	Harness:Registration Sensor	15 - 29
B082 5426	Harness:Paper Feed:Main	49 - 27
B082 5427	Harness:Manual Feed Unit	11 - 28
B082 5428	Harness:Paper Feed Unit	13 - 20

Part No.	Description	Page and Index No.
B082 5430	Harness:Paper Feed Unit:No.1	49 - 33
B082 5437	Harness:Sensor:On-off:Connecting	43 - 18
B082 5455	Harness:Paper Size Sensor	47 - 39
B082 5459	Harness:DC:Exit	33 - 29
B082 5460	Harness:Duplex Unit	39 - 14
B082 5461	Harness:Duplex Unit:Sensor	39 - 12
B082 5462	Harness:Duplex Unit:Sensor	41 - 3
B082 5465	Harness:Paper Feed:Sensor	47 - 38
B082 5832	Bracket:I/O Board:Left Upper	49 - 23
B082 5833	Bracket:I/O Board:Left Lower	49 - 22
B082 5836	Bracket:I/O Board:Right Upper	49 - 24
B082 5837	Bracket:I/O Board:Right Lower	49 - 25
B082 5839	Bracket:Harness:Paper Feed	49 - 32
B082 5841	Bracket:Power Supply Cord	51 - 11
B082 5864	Bracket:Harness:Joint Unit	43 - 9
B082 5880	Bracket:Rack:Application:Ass'y	49 - 21
B082 6010	Support Stay:Sub-ass'y	9 - 27
B082 6028	Guide Plate:Separator:Ass'y	11 - 10
B082 6038	Cover:Gear:Adhesion	11 - 11
B082 6061	Bracket:Drive:Ass'y	11 - 38
B082 6073	Decal:Manual Feed Direction	9 - 16
B082 6073	Decal:Manual Feed Direction	93 - 10
B082 6095	Frame:Holder:Ass'y	9 - 2
B082 6319	Cover:Right Rear:Duplex:EU	3 - 19
B082 6332	Cover:Rear:EU	5 - 8
B082 6400	Decal:Size Indication	3 - 12
B082 6400	Decal:Size Indication	93 - 11
B101 1097	Rubber Foot:H5	55 - 4
B132 1531	Panel:Logo	3 - 2
B154 2862	Roller:Driven:Ass'y	3 - 15
B180 5891	ASIC:TRUMPET3	87 - 1
B198 1077	Grip:Rear	51 - 12
B198 1093	Stay:Machine Or Copier:Lengthwise:R	51 - 9
B198 5240	IC:CDICAN	71 - 1
B198 5886	Panel:Fax	57 - 9

Part No.	Description	Page and Index No.
B198 5893	Cover:RIO	57 - 11
B198 5894	Cover:SD	57 - 14
B198 6009	Manual Feed Table:Sub-ass'y	9 - 24
B198 6080	Paper Size Sensor	9 - 15
B198 6316	Cover:Front:EU	3 - 13
B198 6405	Sheet:Operation Instructions	3 - 6
B213 1078	Spacer:Grip:Rear	51 - 13
B213 1127	Receptacle:Transfer Belt	15 - 30
B213 1128	Timing Pulley:Connecting:Paddle:T16	45 - 31
B213 1129	Grip Rings:Dia6	45 - 30
B213 1134	Bracket:Fusing Drive Sub-unit	43 - 8
B213 1135	Bracket:Belt:Positioning	43 - 5
B213 1136	Development Drive Unit	45 - 21
B213 1144	Drum Shaft	45 - 14
B213 1146	Bracket:Holder:OPC Drum	45 - 9
B213 1148	Bracket:Transfer Drive	45 - 4
B213 1149	Tightener:Paper Feed	47 - 9
B213 1151	Tightener:Middle	47 - 20
B213 1153	Bracket:Protect	47 - 27
B213 1155	Bracket:Timing Pulley:Registration	47 - 1
B213 1156	Bracket:Opc Drum:Plate	43 - 10
B213 1189	Fly Wheel:Dia160	43 - 12
B213 1261	Cover:Front	3 - 13
B213 1267	Bracket:Hinge:Right	55 - 3
B213 1306	Sheet:Inner Cover:Right	27 - 36
B213 1870	Imaging Unit	7 - 1
B213 1891	LD Unit	7 - 11
B213 1968	Shading Plate	55 - 6
B213 2290	Bracket:Idler	21 - 16
B213 2292	Toner Collection Coil	21 - 8
B213 2367	Density Sensor:P	15 - 16
B213 2381	High Voltage Line:Charge	45 - 13
B213 2383	High Voltage Line:Development Bias	45 - 12
B213 2570	Bracket:Registration:Drive:Front	15 - 34
B213 2574	Guide Plate:Entrance:Upper:Peen	15 - 25

Part No.	Description	Page and Index No.
B213 2575	Shaft:Drive:Registration	15 - 39
B213 2614	Bracket:Cleaner:Registration Roller	15 - 42
B213 2740	Paper Feed Unit:No.1	13 - *
B213 2750	Paper Feed Unit	13 - 5
B213 2770	Stay:Separate:Ass'y	13 - 32
B213 2777	Shaft:Separate:Driven	13 - 31
B213 2784	Shaft:Separate:Drive	13 - 28
B213 2903	Paper Tray:Universal	17 - 1
B213 2915	Shaft:Rise	17 - 24
B213 2967	Decal:Paper Select:Dial:EXP	93 - 12
B213 2967	Decal:Paper Select:Dial:EXP	17 - 30
B213 2990	Supporter:Paper Tray	55 - 16
B213 3096	Flange:Side Plate:AL:Ass'y	29 - 15
B213 3821	Shaft:Hook	27 - 27
B213 3831	Cleaning Blade:Transfer Belt	25 - 1
B213 3882	Frame:Transfer Belt	25 - 33
B213 3889	Roller:Bias	25 - 31
B213 3894	Roller:Drive:Dia14.5	25 - 37
B213 3917	Lever:Release:Pressure	25 - 25
B213 4122	Decal:Warning (high Temperature)	53 - 14
B213 4122	Decal:Warning (High Temperature)	93 - 13
B213 4131	Fusing Cover:Printing	31 - 6
B213 4131	Fusing Cover:Printing	31 - 26
B213 4171	Frame:Fusing:Ass'y	31 - 27
B213 4217	Harness:Fusing:NA	31 - 14
B213 4227	Harness:Fusing:EU	31 - 14
B213 4263	Lever:Pressure:Front	31 - 31
B213 4264	Lever:Pressure:Rear	31 - 45
B213 4328	Roller:Driven	27 - 12
B213 4330	Screw - MM4.5	27 - 19
B213 4460	Shaft:Pressure Roller	33 - 7
B213 4466	Bracket:Contact Point	33 - 13
B213 4472	Side Plate:Rear:Ass'y	35 - 2
B213 4478	Gate Pawl:Entrance	35 - 6
B213 4484	DC Solenoid:Exit:Ass'y	33 - 23

Part No.	Description	Page and Index No.
B213 4486	DC Solenoid:Entrance:Ass'y	33 - 20
B213 4664	Stepper Motor:Duplex:Sub-ass'y	39 - 21
B213 4664	Stepper Motor:Duplex:Sub-ass'y	41 - 19
B213 4666	Bracket:Stepper Motor:Reverse	39 - 20
B213 4678	Bracket:Stepper Motor:Paper Feed	41 - 18
B213 4690	Link:DC Solenoid:Ass'y	39 - 15
B213 4790	Link:Duplex	41 - 14
B213 4793	Bracket:Link	37 - 7
B213 5140	PCB:Duplex Unit	39 - 23
B213 5320	PCB:Sync Detector:Sharp	7 - 5
B213 5410	Harness - Sensor	5 - 38
B213 5426	Harness:BICU:IOB	49 - 8
B213 5445	Harness:Laser Diode Control	7 - 10
B213 5455	Harness:Imaging Unit	7 - 3
B213 5468	Harness:DC:Lower	49 - 28
B213 5469	Harness:DC:Upper Front	49 - 30
B213 5470	Harness:Connecting:Right Rear:Machi	27 - 2
B213 5521	Harness:DC:DC Power Supply	51 - 15
B213 5602	Power Supply Cord:EU	51 - 16
B213 5604	Power Supply Cord:NA	51 - 16
B213 5606	Harness:AC:SW	49 - 17
B213 5608	Harness:Fusing Unit (230V)	51 - 4
B213 5609	Harness:Fusing Unit (120V)	51 - 4
B213 5843	Screw:Inner Cover:Joint Unit	37 - 12
B213 5846	Shading Plate:BICU	49 - 19
B213 5851	Panel:Control Board	57 - 5
B213 5852	Bracket:Control Board:Printer	57 - 4
B213 5857	Cover:Bracket:HDD	57 - 13
B213 5871	Rack:Application	57 - 3
B213 5876	Stay:Rack	57 - 6
B213 6033	Shaft:Separator:Driven	11 - 4
B213 6049	Bracket:DC Solenoid	11 - 37
B213 6051	DC Solenoid:Pickup:Sub-ass'y	11 - 27
B213 6059	Arm:Tightener:Ass'y	11 - 33
B234 2399	Bolt - M3x6	57 - 10

Part No.	Description	Page and Index No.
B584 5040	PCB DDR-DIMM(128Mb)	57 - 12
G011 3305	Gear - 16Z	9 - 13
G012 3897	Film - Toner End Sensor Harness	29 - 23
G012 3897	Film - Toner End Sensor Harness	33 - 26
G020 1332	Hinge - Front Cover	3 - 5
G020 1966	Cylindrical Lens	7 - 16
G020 1968	F Theta Mirror	7 - 26
G020 1969	BTL Lens	7 - 23
G020 2620	Push Switch - Paper Size	47 - 2
G020 5626	Push Switch	53 - 17
G029 1980	Decal - LD	7 - 6
G029 1980	Decal - LD	93 - 14
G034 1413	Bracket - Operation Sub Unit	5 - 11
G034 2987	Socket	17 - 28
G034 2993	Flanged Hexagonal Head Bolt - M3x6	5 - 19
G034 2993	Flanged Hexagonal Head Bolt - M3x6	31 - 1
G034 3811	Front Decal - Transfer Unit	27 - 30
G034 3811	Front Decal - Transfer Unit	93 - 15
G034 3812	Rear Decal - Transfer Unit	27 - 31
G034 3812	Rear Decal - Transfer Unit	93 - 16
G034 3935	Shaft - Transfer Unit Stopper	25 - 14
G034 4497	Holder - Sensor Harness	5 - 10
G034 5820	Spring Plate - Power Supply Unit	51 - 19
G035 1382	Decal - Postscript	3 - 4
G056 2381	Decal - Energy Star/Postscript	3 - 4
G056 2381	Decal - Energy Star/postscript	93 - 17
G060 1147	Ball Bearing - 8x22x7	45 - 10
G060 2905	Paper Guide - Manual Feed Table	9 - 17
G060 2908	Pad - Side Fence	9 - 25
G065 1122	Timing Pulley - 58Z/79T	45 - 8
G065 1125	Drum Holder	45 - 11
G065 1128	Flange - Fly Wheel	45 - 7
G065 1143	Bushing - M34	43 - 3
G065 1170	Lower Dust	49 - 3
G065 1171	Upper Dust	49 - 2

Part No.	Description	Page and Index No.
G065 1173	Sheet - Duct	5 - 21
G065 1174	Sheet - Duct - Upper	5 - 37
G065 1581	Sheet - Top Cover	5 - 32
G065 1582	Seal - Top Cover	5 - 31
G065 1583	Seal - Top Cover - Harness	5 - 30
G065 2217	PCU Stopper	21 - 33
G065 2219	Compression Spring:Stopper:PCU	21 - 7
G065 2228	Upper Frame - PCU	21 - 17
G065 2241	Shutter - Toner Supply	21 - 2
G065 2251	Cover:PCU:Upper:Ass'y	21 - 4
G065 2259	Handle - PCU	21 - 3
G065 2271	Electrode Plate:Charge:Receptacle:A	21 - 32
G065 2279	Entrance Seal - Toner Supply	21 - 19
G065 2282	Shield:PCU:Rail	21 - 34
G065 2308	Electrode Plate:Charge:Rear	23 - 20
G065 2321	Front Arm - Charge Unit	23 - 11
G065 2326	Rear Arm - Charge Unity	23 - 18
G065 2328	Cap - Toner Supply	21 - 6
G065 2354	Electrode Plate:Charge:Front	23 - 10
G065 2681	Snap Ring - M6	23 - 9
G065 2767	Lever - Feed	13 - 22
G065 2774	Pressure Lever	13 - 35
G065 2775	Link Lever	13 - 39
G065 2776	Release Lever	13 - 18
G065 3066	Entrance Shield - Toner Supply	29 - 18
G065 3067	Coupling Shield	29 - 22
G065 3070	New Article Sensor Feeler	29 - 33
G065 3075	Bracket - PCU And Development	29 - 34
G065 3100	Development Sleeve:P3:Ass'y	29 - 4
G065 3275	Guide - Development Unit	55 - 11
G065 4056	Stay:Fusing:Thermostat	31 - 40
G065 4136	Handle - Fusing Unit	31 - 5
G065 4140	C Ring - Hot Roller - Rear	31 - 51
G065 4155	Housing:Thermostat	31 - 44
G065 4156	Thermostat:Ass'y	31 - 25

Part No.	Description	Page and Index No.
G133 1269	Cap:Dia17	5 - 35
G133 5760	ASIC:QUENA2	87 - 2
G790 2329	Brush Roller:Cleaner:Charge:Amabuki	23 - 22

Part No.	Description	Page and Index No.
N803 1000	Case - Flash Memory Card	95 - 2

Part No.	Description	Page and Index No.
AA00 0204	Decal - Right Lower Cover	93 - 2
AA00 0204	Decal - Right Lower Cover	3 - 14
AA00 1393	Decal - A2	15 - 23
AA00 1393	Decal - A2	93 - 3
AA01 2131	Filter:Development	29 - 7
AA04 3443	Timing Belt - S2M 140	41 - 16
AA04 3443	Timing Belt - S2M 140	39 - 17
AA04 3444	Timing Belt - S2M 350	41 - 8
AA04 3445	Timing Belt - S3M-360	47 - 6
AA04 3446	Timing Belt - S3M-312	47 - 16
AA04 3551	Timing Belt - B50S3M213UG	45 - 19
AA04 3553	Timing Belt-b60s2m316	43 - 13
AA04 3554	Timing Belt - B60S3M129	47 - 4
AA04 3555	Timing Belt - S2M234	33 - 18
AA04 3570	Timing Belt - B60S2M240	45 - 6
AA04 3571	Timing Belt - S3m - 180	43 - 2
AA04 3580	Timing Belt:50S2M192	15 - 40
AA06 0691	Tension Spring	13 - 13
AA06 0693	Tension Spring	13 - 34
AA06 0694	Tension Spring	47 - 8
AA06 0695	Tension Spring	47 - 21
AA06 0709	Tension Spring	37 - 22
AA06 0712	Torsion Spring	25 - 26
AA06 0713	Tension Spring	49 - 14
AA06 0716	Tension Spring	33 - 24
AA06 0839	Pressure Spring - Driven	39 - 6
AA06 0839	Pressure Spring - Driven	37 - 2
AA06 0840	Pressure Spring - 29n	31 - 32
AA06 0855	Return Spring	35 - 13
AA06 0908	Release Spring	13 - 38
AA06 0939	Spring:Pressure:Cleaning Blade:4.4n	25 - 15
AA06 0948	Tension Spring:Stripper Pawls:50mm	31 - 10
AA06 2299	Pressure Spring	23 - 15
AA06 2300	Tension Spring	23 - 14
AA06 2304	Pressure Spring	15 - 6

Part No.	Description	Page and Index No.
AA06 2305	Tension Spring	15 - 22
AA06 2310	Pressure Spring	23 - 6
AA06 2312	Pressure Spring	33 - 10
AA06 2313	Gate Pawl Spring 1.5n	33 - 19
AA06 2316	Tension Spring - Shutter	21 - 5
AA06 2317	Tension Spring	45 - 3
AA06 3303	Pressure Spring	37 - 16
AA06 3304	Terminal Spring	15 - 31
AA06 3305	Torsion Spring	25 - 17
AA06 3499	Pressure Spring	11 - 5
AA06 3564	Tension Spring	3 - 16
AA06 3566	Pressure Spring	19 - 8
AA06 3567	Tension Spring	11 - 29
AA06 3568	Pressure Spring	11 - 26
AA06 3569	Spring	11 - 36
AA06 3648	Pressure Spring	23 - 12
AA06 3662	Compression Spring	3 - 27
AA06 3668	Compression Spring:Fusing Cleaning	31 - 36
AA06 3854	Pressure Spring	33 - 9
AA06 3855	Spring - 3.5n	27 - 14
AA06 6152	Tension Spring	39 - 2
AA06 6335	Torsion Spring	41 - 13
AA06 6574	Torsion Spring	9 - 9
AA06 6575	Torsion Spring	27 - 26
AA06 6576	Torsion Spring	27 - 28
AA06 6577	Torsion Spring	15 - 8
AA08 0034	Bushing - 4x5x7	37 - 17
AA08 0229	Front Bushing - M6	15 - 5
AA08 0230	Rear Bushing - M6	15 - 33
AA08 0246	Bushing - Bias Roller	25 - 30
AA08 0275	Bushing:Pressure:Mm4	3 - 28
AA08 0281	Bushing - 12x18x5.5	29 - 13
AA08 0307	Bushing - M4	37 - 3
AA08 0307	Bushing - M4	39 - 7
AA08 2054	Bushing - M4	25 - 32

Part No.	Description	Page and Index No.
AA08 2058	Bushing - 6x10x9mm	33 - 16
AA08 2070	Bushing - 8x16x7	9 - 8
AA08 2070	Bushing - 8x16x7	13 - 11
AA08 2072	Bushing - M6	15 - 35
AA08 2072	Bushing - M6	13 - 24
AA08 2073	Roller Busing	31 - 35
AA08 2074	Bushing - M8	39 - 11
AA08 2075	Bushing - M6	41 - 10
AA08 2079	Bushing - 6x8x5.8	27 - 11
AA08 2080	Bushing - M8	15 - 3
AA08 3018	Roller Clutch - 6x14x10	11 - 30
AA14 0655	Shaft - Paper Feed	13 - 21
AA14 0753	Feed Shaft	11 - 21
AA14 3219	Stepped Screw	29 - 9
AA14 3301	Stepped Screw - M3x4	51 - 3
AA14 3512	Stepped Screw - M2.5	49 - 12
AA14 3520	Shoulder Screw - M3	31 - 4
AA14 3549	Screw: Dia10:M3X18	23 - 25
AA14 3561	Screw - MM3:M2.5	41 - 12
AA14 3561	Screw - MM3:M2.5	49 - 5
AA14 3567	Screw - M3	45 - 26
AA14 3792	Screw:Drawer	31 - 39
AA14 5831	Shaft:Slide	19 - 4
AA14 9291	Pin - Link	15 - 10
AA14 9979	Shaft:Middle	47 - 32
AA15 0401	Seal - 70x20	25 - 16
AA15 0671	Shield - Collection Coil	21 - 21
AA15 0685	Seal - 215x10	5 - 18
AA15 3053	Sponge - 317x5x5	29 - 21
AA15 3054	Sponge - 17x7x5	29 - 19
AA15 3062	Sponge - M46	29 - 16
AA15 3077	Sponge - 8x8x1	29 - 20
AA15 3083	Seal - Toner Supply Unit Cover	19 - 13
AA15 3095	Shield - Development - Center	29 - 35
AA15 3390	Sponge - 202x3.5x4	5 - 22

Part No.	Description	Page and Index No.
AA15 3391	Frame Seal - Rear Right	27 - 3
AA15 3392	Sponge - 24x6x5	27 - 32
AA15 3393	Frame Seal - Rear Vertical	27 - 1
AA15 3442	Shield - Stay - PCU	15 - 19
AA15 3443	Mylar -development Unit-right	29 - 32
AA16 1126	Exchange Pawl Cushion	37 - 19
AA16 1160	Cushion:Link:10x5x1.5	35 - 16
AA16 1629	Pad-guide Plate	35 - 18
AA16 2080	Cushion:Duplex Unit	39 - 5
AB01 0156	Gear:Separate:Drive	13 - 36
AB01 0157	Gear:Separate:Driven	13 - 37
AB01 1088	Gear - 30Z	41 - 15
AB01 1188	Gear - 21Z	13 - 7
AB01 1189	Gear - 18Z	13 - 10
AB01 1190	Gear - 25Z	25 - 8
AB01 1377	Gear - 14Z	21 - 10
AB01 1378	Gear - 19Z	21 - 15
AB01 1379	Gear - 19Z	21 - 31
AB01 1380	Cam - Cleaning Blade	21 - 30
AB01 1386	Development Sleeve Gear	29 - 8
AB01 1387	Gear - 23Z	11 - 23
AB01 1388	Gear - Z16	11 - 8
AB01 1389	Gear - 20Z	11 - 7
AB01 1390	Gear - 27Z	11 - 34
AB01 1446	Gear - 29Z	29 - 27
AB01 3882	Gear - 40Z	31 - 19
AB01 4038	Gear - 22Z	47 - 13
AB01 4039	Gear - 31Z	47 - 36
AB01 4040	Gear - 29Z	47 - 37
AB01 4046	Gear - 25Z	31 - 28
AB01 4049	Gear - 24Z	33 - 22
AB01 4051	Gear - 16Z	15 - 4
AB01 4060	Gear - 21Z	29 - 12
AB01 4061	Gear - 13Z	29 - 11
AB01 4062	Gear - 17Z/25Z	29 - 14

Part No.	Description	Page and Index No.
AB01 4090	Gear - 18Z	13 - 4
AB01 4159	Gear - 49Z	47 - 23
AB01 4160	Idler Gear-registration	47 - 18
AB01 4161	Reverse Roller Gear	39 - 16
AB01 4162	Gear - 46Z	39 - 19
AB01 4164	Gear - 28T	47 - 33
AB01 4189	Gear - 27Z	25 - 23
AB01 4219	Gear - 24Z	47 - 15
AB01 4222	Gear - 33Z/30T	43 - 14
AB01 4223	Gear - 30Z	43 - 15
AB01 4237	Gear:Fusing Drive Sub-unit:NO.1	43 - 6
AB01 4238	Gear:Fusing Drive Sub-unit:NO.2	43 - 7
AB01 4275	Gear - 17Z	15 - 45
AB01 4275	Gear - 17Z	15 - 36
AB01 4276	Gear - 16Z	15 - 37
AB01 7454	Gear - 24Z/30Z	11 - 32
AB01 7458	Gear Pulley - 18Z/22T	35 - 4
AB03 0474	Pulley - 24T	41 - 9
AB03 0561	Timing Pulley - 31Z/20T	47 - 17
AB03 0562	Timing Pulley - 31Z/20T	47 - 10
AB03 0566	Timing Pulley - 20T	47 - 34
AB03 0567	Timing Pulley - 18T	47 - 22
AB03 0568	Pulley - 23T	33 - 17
AB03 0625	Timing Pulley - 20Z	47 - 7
AB03 0634	Pulley	47 - 12
AB03 0669	Timing Pulley - Registration	47 - 3
AB03 0670	Gear - 24Z	39 - 18
AB03 0671	Gear Pulley - Transport	41 - 17
AB03 0672	Idler Pulley	35 - 3
AB03 0714	Timing Pulley - 32Z/52T	45 - 5
AB03 0715	Timing Pulley - Transfer Unit	45 - 1
AB03 0716	Gear - 32Z/29T	43 - 1
AB03 0717	Gear - 30Z/18T	43 - 4
AB03 0778	Gear:Pulley - 20Z/30T	15 - 2
AB03 0779	Timing Pulley - 30T	15 - 38

Part No.	Description	Page and Index No.
AC01 5024	Shield Glass - Polygon Motor	7 - 17
AC01 5025	Shield Glass	7 - 9
AC03 0115	Mirror	7 - 20
AD02 5021	Pick-off Pawl	23 - 7
AD02 7012	Roller:Charge:Apply	23 - 23
AD03 8091	Paddle:Ass'y	29 - 28
AD04 7023	Cleaning Entrance Seal	21 - 26
AE01 1115	Hot Roller:T0.4:Hb	31 - 18
AE02 0125	Pressure Roller Mm32 Ass'y	31 - 24
AE03 0047	Ball Bearing - 30x42x7	31 - 17
AE03 0048	Ball Bearing - 8x22x7	31 - 23
AE04 2039	Fusing Cleaning Roller	31 - 34
AE04 4056	Stripper Pawls	31 - 11
AF01 3006	Bottom Plate Pad	17 - 3
AF01 3016	Bottom Plate Pad	11 - 6
AF01 7026	End Fence	17 - 15
AF02 0510	Exit Transport Roller	41 - 7
AF02 0608	Registration Roller:Drive:MM20	15 - 20
AF02 0648	Transport Roller:Drive	13 - 17
AF02 0649	Exit Roller	33 - 21
AF02 0652	Reverse Roller:Driven	39 - 8
AF02 0652	Reverse Roller:Driven	37 - 4
AF02 0653	Roller:Driven	37 - 18
AF02 0654	Transport Roller:Middle	41 - 5
AF02 0658	Transport Roller	33 - 15
AF02 0659	Reverse Roller	39 - 13
AF02 1083	Registration Roller:Driven:MM16	15 - 21
AF02 5044	Exchange Pawl	37 - 21
AF03 0049	Pick-up Roller	11 - 22
AF03 0090	Paper Feed Roller:Pickup	13 - 6
AF03 1046	Feed Roller - Manual Feed	11 - 40
AF03 1090	Paper Feed Roller:Feed	13 - 9
AF03 2046	Separation Roller - Manual Feed	11 - 2
AF03 2090	Paper Feed Roller:Separate	13 - 29
AF04 0031	Driven Roller	11 - 18

Part No.	Description	Page and Index No.
AF04 0559	Driven Roller - M9	9 - 23
AF04 0571	Guide Roller	27 - 16
AF04 0571	Guide Roller	35 - 14
AF04 0574	Guide Roller	35 - 8
AF04 0575	Driven Roller	11 - 12
AF04 0599	Pressure Roller:15	33 - 6
AF04 0600	Roller:Driven:9mm	33 - 2
AF04 0601	Pressure Roller:Entrance	33 - 12
AG05 0094	Knob:Fusing	31 - 22
AG05 0099	Knob:Registration	15 - 1
AG07 0514	Magnet Catch	3 - 21
AG07 0515	Magnet Catch:13n	37 - 25
AG07 1012	Magnet Catch:Ass'y	5 - 26
AW01 0106	Paper Feed Sensor	15 - 28
AW01 0106	Paper Feed Sensor	41 - 2
AW01 0117	Paper Feed Sensor	39 - 4
AW01 0117	Paper Feed Sensor	33 - 28
AW01 0118	Paper Feed Sensor	27 - 18
AW01 0122	Paper Feed Sensor	13 - 15
AW02 0145	Photointerruptor:Flat	13 - 19
AW02 0145	Photointerruptor:Flat	47 - 31
AW02 0145	Photointerruptor:Flat	11 - 19
AW02 0157	Paper Feed Sensor	13 - 15
AW02 0158	Paper Feed Sensor	41 - 21
AW02 0159	Photointerruptor:Spring Clutch	43 - 22
AW02 0160	Paper Feed Sensor	5 - 41
AW10 0111	Thermistor:Fusing:Middle	31 - 43
AW10 0112	Thermistor:Fusing:Inner Back	31 - 42
AW31 0007	Used Toner Sensor:Transfer Unit	25 - 22
AX04 0143	Rise Motor D - 1.92w	47 - 29
AX05 0168	DC Motor - Toner Bottle	43 - 17
AX06 0303	Polygon Scanner Motor	7 - 12
AX06 0330	Brushless Motor:Main:Ass'y	43 - 21
AX06 0331	Brushless Motor:Fusing/paper Exit U	43 - 19
AX06 0332	Brushless Motor:Paper Feed:Developm	45 - 24

Part No.	Description	Page and Index No.
AX20 0280	Magnetic Clutch:0.5n.m:28z	15 - 32
AX20 0280	Magnetic Clutch:0.5n.m:28z	47 - 30
AX20 0281	Magnetic Clutch:0.5n.o70m:28z	47 - 14
AX20 0292	Magnetic Clutch:245mn.m	11 - 31
AX21 0093	Spring Clutch:On-off	43 - 16
AX31 0046	Total Counter:7fig:24V	5 - 42
AX43 0072	Heater - 120V 550W 335mm	31 - 21
AX43 0073	Heater-230V 550W 335mm	31 - 21
AX44 0198	Heater:120V:650W:215mm	31 - 20
AX44 0199	Heater:230V:650W:215mm	31 - 20
AX50 0092	LED Array:QL	53 - 12
AX64 0167	Fan Motor DC24V/2.40W	49 - 1
AX64 0167	Fan Motor DC24V/2.40W	51 - 1
AZ23 0186	Power Supply Unit:285W (120V)	51 - 14
AZ23 0187	Power Supply Unit - 285W (230V)	51 - 14
AZ32 0145	Power Pack:CBT	51 - 6
GA08 0002	Bushing - 6mm	47 - 19
GA08 0002	Bushing - 6mm	11 - 35
GC03 0020	Sync. Detector Mirror	7 - 27

Part No.	Description	Page and Index No.
VSSM 9000	Digital Multimeter - FLUKE87	95 - 5

Part No.	Description	Page and Index No.
0313 0060N	Screw - M3X6	15 - 107
0313 0060N	Screw - M3X6	41 - 108
0353 0040N	Screw - M3X4	11 - 105
0353 0040N	Screw - M3X4	33 - 102
0353 0060N	Bind Screw - M3x6	15 - 103
0353 0060N	Bind Screw - M3x6	17 - 101
0353 0080N	Screw:M3X8	31 - 111
0353 0120N	Screw M3x12	39 - 101
0360 4014N	Screw - M4X14	51 - 102
0450 3006N	Tapping Screw - M3x6	35 - 102
0450 3006N	Tapping Screw - M3x6	5 - 101
0450 3006N	Tapping Screw - M3x6	23 - 105
0450 3006N	Tapping Screw - M3x6	33 - 106
0450 3008N	Tapping Screw - M3x8	23 - 103
0450 3008N	Tapping Screw - M3x8	11 - 106
0450 3008N	Tapping Screw - M3x8	33 - 103
0450 3008N	Tapping Screw - M3x8	19 - 102
0450 3008N	Tapping Screw - M3x8	21 - 102
0450 3008N	Tapping Screw - M3x8	47 - 107
0450 3008N	Tapping Screw - M3x8	17 - 104
0450 3008N	Tapping Screw - M3x8	3 - 106
0450 3008N	Tapping Screw - M3x8	13 - 101
0450 3008N	Tapping Screw - M3x8	29 - 104
0450 3008N	Tapping Screw - M3x8	37 - 102
0450 3008N	Tapping Screw - M3x8	45 - 108
0450 3008N	Tapping Screw - M3x8	7 - 101
0450 3008N	Tapping Screw - M3x8	27 - 102
0450 3008N	Tapping Screw - M3x8	15 - 104
0450 3008N	Tapping Screw - M3x8	5 - 104
0450 3008N	Tapping Screw - M3x8	25 - 103
0450 3010N	Tapping Screw - M3x10	9 - 106
0450 3010N	Tapping Screw - M3x10	7 - 103
0450 3012N	Tapping Screw:3x12	3 - 102
0450 3014N	Tapping Screw:M3x14	29 - 103
0450 4008N	Tapping Screw - M4x8	17 - 103

Part No.	Description	Page and Index No.
0450 4010N	Tapping Screw:M4x10	5 - 105
0450 4035N	Tapping Screw:4x35	51 - 104
0451 3005P	Tapping Screw - M3x5	55 - 102
0451 3006N	Tapping Screw - 3x6	39 - 104
0451 3006N	Tapping Screw - 3x6	49 - 102
0451 3006N	Tapping Screw - 3x6	51 - 101
0451 3006N	Tapping Screw - 3x6	45 - 101
0451 3006N	Tapping Screw - 3x6	41 - 101
0451 3006N	Tapping Screw - 3x6	23 - 102
0451 3006N	Tapping Screw - 3x6	25 - 102
0451 3006N	Tapping Screw - 3x6	27 - 103
0451 3006N	Tapping Screw - 3x6	53 - 103
0451 3006N	Tapping Screw - 3x6	47 - 104
0451 3006N	Tapping Screw - 3x6	37 - 103
0451 3006N	Tapping Screw - 3x6	15 - 101
0451 3006N	Tapping Screw - 3x6	43 - 101
0451 3006N	Tapping Screw - 3x6	31 - 101
0451 3006N	Tapping Screw - 3x6	49 - 114
0451 3006N	Tapping Screw - 3x6	55 - 101
0451 3006N	Tapping Screw - 3x6	3 - 103
0451 3006N	Tapping Screw - 3x6	5 - 106
0451 3006N	Tapping Screw - 3x6	33 - 105
0451 3006N	Tapping Screw - 3x6	57 - 101
0451 3008H	Tapping Screw - M3x8	55 - 103
0451 3008N	Tapping Screw - M3x8	51 - 110
0451 3008N	Tapping Screw - M3x8	45 - 105
0451 3008N	Tapping Screw - M3x8	31 - 107
0451 3008N	Tapping Screw - M3x8	53 - 101
0451 3008N	Tapping Screw - M3x8	43 - 103
0451 3008N	Tapping Screw - M3x8	5 - 102
0451 3008N	Tapping Screw - M3x8	47 - 106
0451 3008N	Tapping Screw - M3x8	23 - 106
0451 3008N	Tapping Screw - M3x8	9 - 101
0451 3008N	Tapping Screw - M3x8	11 - 101
0451 3008N	Tapping Screw - M3x8	49 - 115

Part No.	Description	Page and Index No.
0451 3008N	Tapping Screw - M3x8	9 - 104
0451 3008N	Tapping Screw - M3x8	3 - 101
0451 3008N	Tapping Screw - M3x8	37 - 101
0451 3008N	Tapping Screw - M3x8	13 - 102
0451 3014N	Tapping Screw:3x14	43 - 104
0451 3014N	Tapping Screw:3x14	55 - 105
0451 4010N	Tapping Screw:4x10	9 - 105
0451 4010N	Tapping Screw:4x10	37 - 104
0452 3008N	Tapping Screw - M3x8	17 - 102
0452 3010N	Binding Self-tapping Screw:3x10	19 - 101
0453 3006N	Tapping Screw - M3x6	31 - 108
0454 3006Q	Tapping Screw - M3x6	53 - 102
0454 3006Q	Tapping Screw - M3x6	27 - 101
0454 3006Q	Tapping Screw - M3x6	43 - 102
0454 3006Q	Tapping Screw - M3x6	39 - 107
0454 3006Q	Tapping Screw - M3x6	41 - 102
0454 3008Q	Tapping Screw:3x8	5 - 107
0534 0050E	Headless Screw - M4x5	45 - 109
0633 0140G	Parallel Pin - 3x14	45 - 110
0720 0020E	Retaining Ring - M2	15 - 106
0720 0030E	Retaining Ring - M3	31 - 103
0720 0030E	Retaining Ring - M3	3 - 105
0720 0030E	Retaining Ring - M3	29 - 105
0720 0030E	Retaining Ring - M3	39 - 102
0720 0030E	Retaining Ring - M3	27 - 104
0720 0030E	Retaining Ring - M3	33 - 101
0720 0040E	Retaining Ring - M4	13 - 105
0720 0040E	Retaining Ring - M4	31 - 104
0720 0040E	Retaining Ring - M4	15 - 105
0720 0040E	Retaining Ring - M4	35 - 101
0720 0040E	Retaining Ring - M4	33 - 104
0720 0040E	Retaining Ring - M4	11 - 103
0720 0040E	Retaining Ring - M4	29 - 101
0720 0040E	Retaining Ring - M4	21 - 101
0720 0040E	Retaining Ring - M4	39 - 108

Part No.	Description	Page and Index No.
0720 0040E	Retaining Ring - M4	23 - 104
0720 0040E	Retaining Ring - M4	41 - 103
0720 0060E	Retaining Ring - M6	45 - 102
0720 0060E	Retaining Ring - M6	27 - 105
0720 0060E	Retaining Ring - M6	43 - 106
0720 0060E	Retaining Ring - M6	39 - 105
0720 0060E	Retaining Ring - M6	17 - 105
0720 0060E	Retaining Ring - M6	3 - 104
0720 0060E	Retaining Ring - M6	15 - 102
0720 0060E	Retaining Ring - M6	13 - 104
0720 0060E	Retaining Ring - M6	47 - 102
0720 0060E	Retaining Ring - M6	9 - 103
0725 0110E	C Ring - M11	29 - 102
0727 0080E	Retaining Ring - M8	45 - 107
0740 3008	Ball Bearing - 8x22x7	47 - 108
0740 3808	Ball Bearing - 8x16x5mm	23 - 101
0801 0149	Philips Pan Head Screw - M4x6	51 - 111
0801 0149	Philips Pan Head Screw - M4x6	55 - 104
0802 5299	Tapping Screw - M3x8	47 - 105
0802 5299	Tapping Screw - M3x8	45 - 111
0804 6075	Hexagonal Bolt - M3x8	31 - 105
0804 6123	Hexagonal Bolt:W/washer:M3x8	31 - 109
0805 0089	Retaining Ring - M4	13 - 106
0805 0097	Ring Separator	29 - 106
0805 3480	Bushing - 6mm	11 - 102
0805 3480	Bushing - 6mm	13 - 107
0950 4006N	Screw - M4X6	31 - 102
0951 3006N	Screw - M3X6	25 - 101
0951 3008N	Screw:Polished Roud:M3X8	7 - 102
0954 3012N	Screw - M3X12	31 - 106
0957 3012N	Screw - M3X12	31 - 110
1102 4201	Connector - 2P	63 - 101
1102 4203	CT Header - 4P	71 - 101
1102 4204	CT Header - 5P	71 - 102
1102 4645	CT Connector - 4p	71 - 103

Part No.	Description	Page and Index No.
1102 5303	Connector - 4P	87 - 101
1102 5305	Connector - 6P	71 - 104
1102 5306	Connector - 7P	63 - 102
1102 6245	Relay Connector - 2P	49 - 110
1102 6246	Relay Connector - 4P	49 - 107
1102 6256	Relay Connector - 13P	43 - 110
1102 6259	Connector - 2P	49 - 111
1102 6260	Relay Connector - 3P	49 - 109
1102 6263	Connector - 6P	49 - 108
1102 6266	Relay Connector - 9P	43 - 109
1102 6295	Connector - 2P	63 - 103
1102 6297	Connector - 4P	63 - 104
1102 6298	Connector - 5P	63 - 105
1102 6301	Connector - 8P	63 - 106
1102 6302	Connector - 9P	63 - 107
1102 6303	Connector - 10P	71 - 105
1102 6303	Connector - 10P	63 - 108
1102 6305	Connector - 12P	63 - 109
1102 6308	Connector - 15P	63 - 110
1102 6309	Connector - 2P	63 - 111
1102 6316	Connector - 9P	63 - 112
1102 6321	Connector	63 - 113
1102 6394	Connector - 12P	63 - 114
1102 6396	Connector - 1P	63 - 115
1102 6397	Box Header	63 - 116
1102 6398	Connector - 2P	63 - 117
1102 6401	Connector - 26P	63 - 118
1102 6402	Connector - 2P	63 - 119
1102 6595	Connector - 11P	71 - 106
1102 6943	Relay Connector -10p	43 - 108
1102 7244	Connector	63 - 120
1102 7496	Connector	63 - 121
1102 7615	Connector - B8B-XH-A	87 - 102
1102 8272	Connector - TX25-100P-12ST-H1	71 - 107
1102 8329	Connector - USB - UBB-4R-D14C	87 - 103

Part No.	Description	Page and Index No.
1102 8504	Connector	55 - 107
1102 9116	Connector - 353297-5	71 - 108
1102 9336	Connector:FPS009-2300-0	87 - 104
1102 9535	Connector - 200PS-JUK-G-B	87 - 105
1102 9686	Connector - RHM-176P-SDK11-U1L1C	87 - 106
1102 9689	Connector 2-440091-4	87 - 107
1102 9887	Connector:52588-3090	87 - 108
1102 9890	Connector:5-1605706-2	87 - 109
1102 9928	Connector:29 6406 200 000 856	87 - 110
1103 3179	Connector:FH12-50S-0.5SV(89)	63 - 122
1103 3188	Connector:FH12S-50S-0.5SH(89)	71 - 109
1103 3736	Connector:FH12S-45S-0.5SH(89)	71 - 110
1104 0764	IC Socket - 8 PIN	87 - 111
1105 0165	Flat Cable Clamp	27 - 106
1105 0192	Locking Support	49 - 112
1105 0229	Clamp	43 - 105
1105 0267	Harness Clamp - YMC-10-0	47 - 103
1105 0267	Harness Clamp - YMC-10-0	11 - 104
1105 0267	Harness Clamp - YMC-10-0	53 - 106
1105 0283	Clamp	13 - 103
1105 0283	Clamp	15 - 108
1105 0283	Clamp	41 - 104
1105 0291	Harness Clamp - LWS-3S	41 - 105
1105 0310	Harness Clamp - LWS-1S	51 - 105
1105 0322	Clamp - ES-0510	41 - 107
1105 0328	Harness Clamp - ES-0505	41 - 106
1105 0329	Clamp - ES-0510	45 - 103
1105 0349	Edge Saddle	9 - 102
1105 0349	Edge Saddle	45 - 104
1105 0437	Locking Support - Fgs-4s	49 - 113
1105 0460	Clamp	39 - 106
1105 0460	Clamp	45 - 106
1105 0487	Harness Clamp	5 - 103
1105 0487	Harness Clamp	49 - 118
1105 0487	Harness Clamp	53 - 104

Part No.	Description	Page and Index No.
1105 0487	Harness Clamp	43 - 107
1105 0488	Harness Clamp	49 - 117
1105 0488	Harness Clamp	51 - 103
1105 0489	Harness Clamp - LWS 1316	51 - 112
1105 0511	Harness Clamp - LWS-0306ZC	49 - 116
1105 0511	Harness Clamp - LWS-0306ZC	47 - 101
1105 0511	Harness Clamp - LWS-0306ZC	33 - 107
1105 0516	Clamp	49 - 106
1105 0516	Clamp	53 - 105
1107 0388	Fuse:2A:125V	51 - 109
1107 0392	Fuse:6.3A:125V	51 - 108
1107 0629	Fuse:15A:125V	51 - 107
1107 0652	Fuse:10A:125V	51 - 106
1107 1053	Fuse:HT-5A-N5(230V)	51 - 106
1107 1061	Fuse(230V)	51 - 109
1107 1067	Fuse:ET-6.3A(230V)	51 - 108
1107 1084	Fuse(230V)	51 - 107
1107 1099	Fuse Sst 5	87 - 112
1109 0016	Circuit Protector - SMD075	63 - 123
1204 1537	Dip Switch	63 - 124
1204 1543	Dip Switch	87 - 113
1204 2466	Micro Switch - V-16506-1c25	49 - 101
1204 2466	Micro Switch - V-16506-1c25	39 - 103
1204 2466	Micro Switch - V-16506-1c25	41 - 109
1204 2521	Micro Switch	49 - 103
1204 2529	Switch - V-5F912DN	49 - 104
1204 2529	Switch - V-5F912DN	55 - 106
1204 2608	Rocker Switch:Sddje33900	49 - 105
1206 0115	Lithium Cell - CR1632/V1A	87 - 114
1400 0381	Transistor - 2SA1036KR	63 - 125
1400 0688	Transistor -DTC143ZUA	71 - 111
1400 0730	Transistor - 2SD1782K	87 - 115
1400 0775	Transistor - 2SC4081	63 - 126
1400 0795	Transistor - 2SC4617	71 - 112
1400 0902	Transistor - DTA113ZUA	63 - 127

Part No.	Description	Page and Index No.
1400 0918	Transistor - DTC123JUA	63 - 128
1401 1209	IC - HAT2093R	87 - 116
1401 1228	Fet:SI3433DV-E3	87 - 117
1401 1296	Fet:TPC8115	87 - 118
1401 1320	Fet - TPC8107	87 - 119
1401 1354	Fet Array:SI4804BDY-E3	87 - 120
1402 1322	Diode Array - DAN202U	63 - 129
1402 1336	Diode - 1SS355	63 - 130
1402 1336	Diode - 1SS355	87 - 121
1402 1343	Diode - RB106L-40	63 - 131
1402 1343	Diode - RB106L-40	71 - 113
1402 1365	Diode-RD751V-40	87 - 122
1402 1546	Diode - RB081	71 - 114
1402 1584	Diode - DAN217U	63 - 132
1402 1662	Diode:PTZ6.2B	63 - 133
1402 1662	Diode:PTZ6.2B	71 - 115
1402 1663	Diode - ZTP12B	63 - 134
1402 1698	Diode - RB	87 - 123
1402 1709	Diode:EC21QS06G	87 - 124
1403 0953	LED - SML-310MT	71 - 116
1403 0996	LED - SML-310VT	71 - 117
1403 1033	LED - SML-310YT	71 - 118
1403 1131	LED:SML-311UT	87 - 125
1404 0360	Thermistor - 103HT	63 - 135
1407 1535	IC - TD62308AP	63 - 136
1407 2187	TTLIC - SN74LS07NS	71 - 119
1407 2187	TTLIC - SN74LS07NS	63 - 137
1407 2218	TTLIC - SN74LS06NS	63 - 138
1407 2219	IC - TD62003AP	63 - 139
1407 2231	IC - TD62308AF	63 - 140
1407 4919	IC - 74VHCT244 TSSOP	87 - 126
1407 5090	IC - DS90CF364MTD	71 - 120
1407 5274	CMOS Logic - 74LVCH162244A TSSOP	87 - 127
1407 5300	CMOS Logic - 74LVC16244A TSSOP	87 - 128
1407 5334	IC - CMOS LOGIC 74LVC244A TSSOP	87 - 129

Part No.	Description	Page and Index No.
1407 5344	IC - SN74LV02APW	63 - 141
1407 5345	IC-NS74LV04APW	87 - 130
1407 5347	IC - SN74LV08APW	63 - 142
1407 5351	IC - SN74LV14APW	63 - 143
1407 5351	IC - SN74LV14APW	71 - 121
1407 5353	IC - SN74LV244APW	71 - 122
1407 5369	IC - SN74AHCT32PW	87 - 131
1407 5377	IC - SN74AHCT1G08DCK	87 - 132
1407 5388	IC - SN74LV08ANS	71 - 123
1407 5392	IC:SN74LV541APW	71 - 124
1407 5421	IC - SN74LV74ANS	71 - 125
1407 5463	IC - SN74LV245APW	71 - 126
1407 5469	IC - SN74LV07APW	63 - 144
1407 5469	IC - SN74LV07APW	87 - 133
1407 5469	IC - SN74LV07APW	71 - 127
1407 5483	IC - SN74AHC1G125DCK	71 - 128
1407 5508	IC - SN74LV125APW	87 - 134
1407 5520	IC - SN74LVC125APW	87 - 135
1407 5523	ROM - I2C SOP 3V	87 - 136
1407 5604	IC - SN74LVC16245ADGG	87 - 137
1407 5712	IC:SN74LV07ANS	71 - 129
1407 5868	Ethernet Cont LSI - DP83847ALQA56A	87 - 138
1407 5896	Controller Image Processing RF5V861	71 - 130
1407 6101	IC - SN74LVC2G17DCK	87 - 139
1407 6123	IC SN74LVC2G125DCU	87 - 140
1407 6127	Clock Generator:ICS960008AFLF	87 - 141
1407 6145	IC:SN74LVC373APW	87 - 142
1407 6161	Clock Generator-ICS960009AFLF	87 - 143
1407 6166	IC - ESOC	71 - 131
1407 6167	IC - EIO	63 - 145
1407 6187	CMOS Logic - SN74LVC1G07DCK	87 - 144
1407 6205	CMOS Logic - SN74LVC1G06DCK	87 - 145
1407 6265	Real Time Clock:R2025S	87 - 146
1407 6335	CMOS Logic:SN74LVC1G17DCK	87 - 147
1407 6380	EEPROM - BR24I08-W	71 - 132

Part No.	Description	Page and Index No.
1407 6385	Clock Generator - MB88154PNF-G-102-	71 - 133
1407 6430	IC - GAVD TypE-R	71 - 134
1407 6453	CPU - RM7035C-466I-Rev1.1	87 - 148
1407 6492	Clock Generator - ICS180M-51LF	63 - 146
1407 6521	CMOS Logic:TC74VHCT14AFT(K)	87 - 149
1407 6585	CMOS Logic:SN74AHCT1G32DCK	87 - 150
1407 6673	CMOS Logic:SN74LVC2G126DCT	87 - 151
1408 1204	IC - TA8083P	63 - 147
1408 1448	Regulator - PQ3DZ13	71 - 135
1408 1463	Regulator:LM1085IS-ADJ	71 - 136
1408 1680	Operational Amplifier - LM358D	71 - 137
1408 1778	IC:R3112Q101A	87 - 152
1408 1779	IC - R3112Q281A	71 - 138
1408 1779	IC - R3112Q281A	63 - 148
1408 1818	Series Regulator - LM1117MP-1.8	71 - 139
1408 1825	IC - R3112Q121A	87 - 153
1408 1826	IC - R3112Q421A	87 - 154
1408 1826	IC - R3112Q421A	71 - 140
1408 1925	IC:LTC1778EGN#PBF	87 - 155
1408 1956	IC:LTC3728LXCUH#TRPBF	87 - 156
1408 1960	IC:LP2996LQ/NOPB	87 - 157
1408 1975	IC - TPS62040DGQ	87 - 158
1408 2015	Series Regulator - PQ018EZ02ZPH	71 - 141
1408 2029	Comparator:LM2901PW	63 - 149
1408 2030	Operational Amplifier - LM224D	63 - 150
1408 2034	IC:TPS62042DGQ	87 - 159
1408 2053	IC:R3112Q291A-FA	87 - 160
1408 2066	IC:TPS54310PWP	87 - 161
1408 2122	Series Regulator - R1130H331A-FB	63 - 151
1408 2151	IC - PQ1CX12H2ZPQ	71 - 142
1503 0842	Oscillator - 14.31818MHZ	87 - 162
1503 1004	Oscillator - 19.6608Mhz	63 - 152
1503 1106	Crystal Oscillator:40.97mhz	71 - 143
1503 1181	Crystal Oscillator:30mhz	87 - 163
1503 1215	Crystal Oscillator - 17.5mhz	71 - 144

Part No.	Description	Page and Index No.
1503 1304	Crystal Oscillator:25mhz	87 - 164
1503 1309	Crystal Oscillator - 25mhz	87 - 165
1601 5477	Resistor - 330Ω ±5% 1W	63 - 153
1601 7877	Resistor Array 4.7k Ω ±5% 1/32W	87 - 166
1601 7887	Resistor Array - 10K Ω ±5% 1/32W	71 - 145
1601 7887	Resistor Array - 10K Ω ±5% 1/32W	87 - 167
1601 7887	Resistor Array - 10K Ω ±5% 1/32W	63 - 154
1601 7896	Resistor Array - 56 Ω ±5% 1/32W	71 - 146
1601 7896	Resistor Array - 56 Ω ±5% 1/32W	87 - 168
1601 7898	Resistor Array	63 - 155
1601 7898	Resistor Array	71 - 147
1601 7898	Resistor Array	87 - 169
1601 7909	Resistor Array - 10 Ω ±5% 1/32W	87 - 170
1601 7913	Resistor 22 Ω ±5% 1/32W	87 - 171
1601 7943	Resistor Array - 68 Ω ±5% 1/32W	71 - 148
1601 7959	Resistor	71 - 149
1601 7959	Resistor	87 - 172
1601 7960	Resistor Array - 100 Ω ±5% 1/16W	71 - 150
1601 7960	Resistor Array - 100 Ω ±5% 1/16W	87 - 173
1601 7981	Resistor Array - 100K Ω ±5% 1/16W	87 - 174
1601 7981	Resistor Array - 100K Ω ±5% 1/16W	71 - 151
1601 7983	Resistor Array:2.2kΩ:±5%:1/16W	63 - 156
1601 7994	Resistor - 8.2KΩ ±5% 1/16W	87 - 175
1604 4630	Capacitor - 100μF ±20% 6.3V	87 - 176
1604 4728	Capacitor - 100μF ±20% 16V	87 - 177
1604 4733	Capacitor - 100μF ±20% 10V	71 - 152
1604 4782	Capacitor - 470 μF ±20% 16V	71 - 153
1604 4925	Resistor - 100μF ±20% 10V	71 - 154
1604 4994	Capacitor - 100μF ±20% 6.3V	87 - 178
1604 4999	Resistor - 68μF ±20%:10V	71 - 155
1604 5046	Resistor - 150μF ±20%:10V	71 - 156
1604 5102	Capacitor:33μF:±20%:16V	87 - 179
1604 5291	Resistor - 10μF ±20% 16V	71 - 157
1604 5336	Capacitor:47μF:±20%:20V	87 - 180
1604 5367	Resistor - 220μF ±20% 10V	71 - 158

Part No.	Description	Page and Index No.
1604 5368	Resistor - 470 μ F \pm 20% 10V	71 - 159
1605 1081	Capacitor - 10 μ F +80-20% 25V	87 - 181
1605 1124	Capacitor - 4.7 μ F +80 -20% 10V	71 - 160
1605 1124	Capacitor - 4.7 μ F +80 -20% 10V	87 - 182
1605 1137	Capacitor - 470pF \pm 10% 50V	63 - 157
1605 1137	Capacitor - 470pF \pm 10% 50V	71 - 161
1605 1148	Capacitor - 0.1 μ F +80-20% 50V	71 - 162
1605 1165	Capacitor:680pf: \pm 5%:50V	87 - 183
1605 1195	Capacitor:4pf: \pm 0.25pf:50V	87 - 184
1605 1197	Capacitor - 6PF \pm 0.5pF 50V	87 - 185
1605 1200	Capacitor - 10PF \pm 0.5pF 50V	87 - 186
1605 1201	Capacitor - 12pF \pm 5% 50V	71 - 163
1605 1202	Capacitor - 15pF \pm 5% 50V	71 - 164
1605 1204	Capacitor-pf50v	87 - 187
1605 1205	Capacitor - 33pF \pm 5% 50V	87 - 188
1605 1206	Capacitor - 47pF \pm 5% 50V	71 - 165
1605 1206	Capacitor - 47pF \pm 5% 50V	87 - 189
1605 1207	Capacitor - 68pF \pm 5% 50V	87 - 190
1605 1208	Capacitor:100pf: \pm 5%:50V	71 - 166
1605 1208	Capacitor:100pf: \pm 5%:50V	87 - 191
1605 1209	Capacitor - 150pF \pm 5% 50V	87 - 192
1605 1210	Capacitor:180pf: \pm 5%:50V	87 - 193
1605 1212	Capacitor - 470pF \pm 10% 50V	71 - 167
1605 1212	Capacitor - 470pF \pm 10% 50V	87 - 194
1605 1214	Capacitor - 1000pF \pm 10% 50V	87 - 195
1605 1216	Capacitor - 2200PF \pm 10%50V	87 - 196
1605 1221	Capacitor - 0.1 μ F+80-20%16V	71 - 168
1605 1221	Capacitor - 0.1 μ F+80-20%16V	87 - 197
1605 1224	Capacitor 4.7 μ F \pm 10% 6.3V	71 - 169
1605 1225	Capacitor - 0.1 μ F \pm 10% 50V	63 - 158
1605 1234	Capcitor:4700pf: \pm 10%:50V	71 - 170
1605 1240	Capacitor - 0.01 μ F \pm 10% 25V	87 - 198
1605 1240	Capacitor - 0.01 μ F \pm 10% 25V	71 - 171
1605 1249	Capacitor:0.047 μ F: \pm 10%:16V	87 - 199
1605 1281	Capacitor - 0.22 μ F \pm 10% 16V	63 - 159

Part No.	Description	Page and Index No.
1605 1282	Capacitor:22 μ F:+80-20%:10V	71 - 172
1605 1282	Capacitor:22 μ F:+80-20%:10V	87 - 200
1605 1283	Capacitor - 680pF \pm 10% 50V	87 - 201
1605 1284	Capacitor:1500pf: \pm 10%:50V	87 - 202
1605 1288	Capacitor - 220pF \pm 5% 50V	87 - 203
1605 1289	Capacitor - 0.1 μ F \pm 10% 10V	87 - 204
1605 1294	Resistor - 1000pF \pm 5% 50V	87 - 205
1605 1294	Resistor - 1000pF \pm 5% 50V	63 - 160
1605 1295	Capacitor:10 μ F:+80-20%:10V	87 - 206
1605 1295	Capacitor:10 μ F:+80-20%:10V	71 - 173
1605 1296	Capacitor - 330pF \pm 10% 50V	87 - 207
1605 1299	Resistor - 56pF \pm 5% 50V	87 - 208
1605 1303	Capacitor - 0.01 μ F +80-20% 50V	87 - 209
1605 1307	Capacitor - 2.2 μ F +80-20% 11V	87 - 210
1605 1347	Capacitor - 1 μ F:+80-20%:16V	87 - 211
1605 1353	Capacitor - 0.1 μ F \pm 10% 25V	63 - 161
1605 1353	Capacitor - 0.1 μ F \pm 10% 25V	87 - 212
1605 1354	Capacitor:1200pf: \pm 5%:50V	87 - 213
1605 1355	Ceramic Capacitor:680pf: \pm 10%:50V	71 - 174
1605 1359	Capacitor - 10 μ F: \pm 20%:16V	87 - 214
1605 1391	Capacitor - 22 μ F: \pm 20%:6.3V	87 - 215
1605 1406	Capacitor - 10 μ F \pm 10% 6.3V	87 - 216
1605 1417	Capacitor:47 μ F:+80-20%:10V	87 - 217
1605 1430	Resistor - 1 μ F +80-20% 50V	71 - 175
1605 1447	Resistor - 470pF \pm 5% 50V	71 - 176
1605 1465	Resistor - 1 μ F \pm 10% 25V	71 - 177
1605 1466	Resistor - 4.7 μ F +80-20% 10V	87 - 218
1605 1489	Resistor - 2.2 μ F \pm 10% 25V	63 - 162
1607 0978	Inductor - BLM21P300SPB	87 - 219
1607 1051	Filter -FBMJ2125HS420	87 - 220
1607 1061	Filter - BLM11P300SPB	87 - 221
1607 1196	Inductor -220uh \pm 20% 0.33A	71 - 178
1607 1223	Inductor - 47uh \pm 20% 2.7A	71 - 179
1607 1228	Inductor - SLF7045-4R7M2R0	87 - 222
1607 1315	Filter - BK1608HS600	63 - 163

Part No.	Description	Page and Index No.
1607 1351	Filter BLM21PG221SN1B	87 - 223
1607 1362	Coil - ACM3225-800-2P	87 - 224
1607 1471	Inductor:LB2518B6R8M	87 - 225
1607 1477	Inductor - RLF7030-4R7M3R4	87 - 226
1607 1489	Filter - MMZ1608B301C	87 - 227
1607 1546	Inductor - Slf6028-220mr77-PF	71 - 180
1607 1556	Inductor:RLF7030-1R5N6R1	87 - 228
1607 1567	Filter:MPZ2012S101A	87 - 229
1607 1650	Inductor:RLF7030-6R8M2R8	87 - 230
1607 1827	Inductor:RLF7030-2R2M5R4	87 - 231
1609 0005	Resistor:33 Ω : \pm 5%:1/16W	63 - 164
1609 0005	Resistor:33 Ω : \pm 5%:1/16W	71 - 181
1609 0005	Resistor:33 Ω : \pm 5%:1/16W	87 - 232
1609 0006	Resistor:10k Ω : \pm 5%:1/16W	63 - 165
1609 0006	Resistor:10k Ω : \pm 5%:1/16W	71 - 182
1609 0006	Resistor:10k Ω : \pm 5%:1/16W	87 - 233
1609 0007	Resistor - 68 Ω \pm 5% 1/16W	71 - 183
1609 0007	Resistor - 68 Ω \pm 5% 1/16W	87 - 234
1609 0008	Resistor:4.7k Ω : \pm 5%:1/16W	87 - 235
1609 0011	Resistor:22 Ω : \pm 5%:1/16W	71 - 184
1609 0011	Resistor:22 Ω : \pm 5%:1/16W	87 - 236
1609 0016	Resistor:56 Ω : \pm 5%:1/16W	71 - 185
1609 0016	Resistor:56 Ω : \pm 5%:1/16W	87 - 237
1609 0019	Resistor:0 Ω :1608	87 - 238
1609 0020	Resistor:10 Ω : \pm 5%:1/16W	87 - 239
1609 0026	Resistor - 47 Ω \pm 5% 1/16W	87 - 240
1609 0027	Resistor - 100K Ω \pm 5% 1/16W	87 - 241
1609 0076	Resistor - 150K Ω \pm 5% 1/16W	71 - 186
1610 1775	Resistor - 0.03 Ω \pm 1% 1W	87 - 242
1610 1804	Resistor:0.006 Ω : \pm 1%:1W	87 - 243
1610 1821	Resistor - 2.7 Ω \pm 1% 1/10W	71 - 187
1610 1834	Resistor - 150 Ω \pm 0.5% 1/16W	71 - 188
1632 0000	Resistor - 0 Ω 1/8W	87 - 244
1634 0000	Resistor - 0 Ω 1/16W	71 - 189
1634 0000	Resistor - 0 Ω 1/16W	87 - 245

Part No.	Description	Page and Index No.
1640 2470	Capacitor - 47 μ F \pm 20% 25V	63 - 166
1640 2471	Capacitor - 470 μ F \pm 20% 25V	63 - 167
1640 5100	Capacitor - 10 μ F \pm 20% 50	63 - 168
1640 5101	Capacitor - 100 μ F \pm 20% 50V	63 - 169
1643 1470	Capacitor - 47 μ F \pm 20% 16V	63 - 170
1650 2101	Resistor - 100 Ω \pm 5% 1/4W	63 - 171
1650 2221	Resistor:220 Ω : \pm 5%:1/4W	63 - 172
1650 2682	Resistor - 6.8K Ω \pm 5% 1/4W	63 - 173
1650 4100	Resistor - 10 Ω \pm 5% 1/10W	71 - 190
1650 4100	Resistor - 10 Ω \pm 5% 1/10W	63 - 174
1650 4100	Resistor - 10 Ω \pm 5% 1/10W	87 - 246
1650 4101	Resistor - 100 Ω \pm 5% 1/10W	63 - 175
1650 4101	Resistor - 100 Ω \pm 5% 1/10W	71 - 191
1650 4102	Resistor - 1K Ω \pm 5% 1/10W	63 - 176
1650 4102	Resistor - 1K Ω \pm 5% 1/10W	71 - 192
1650 4103	Resistor - 10K Ω \pm 5% 1/10W	63 - 177
1650 4103	Resistor - 10K Ω \pm 5% 1/10W	71 - 193
1650 4104	Resistor - 100K Ω \pm 5% 1/10W	63 - 178
1650 4105	Resistor - 1M Ω \pm 5% 1/10W	63 - 179
1650 4111	Chip Resistor:110k Ω : \pm 5%:1/10W	63 - 180
1650 4122	Resistor - 1.2K Ω \pm 5% 1/10W	71 - 194
1650 4123	Resistor - 12K Ω \pm 5% 1/10W	63 - 181
1650 4204	Resistor - 200K Ω \pm 5% 1/10W	63 - 182
1650 4220	Chip Resistor - 22 Ω \pm 5% 1/10W	87 - 247
1650 4220	Chip Resistor - 22 Ω \pm 5% 1/10W	63 - 183
1650 4222	Resistor - 2.2K Ω \pm 5% 1/10W	63 - 184
1650 4222	Resistor - 2.2K Ω \pm 5% 1/10W	71 - 195
1650 4223	Resistor - 22K Ω \pm 5% 1/10W	63 - 185
1650 4301	Chip Resistor:300k Ω : \pm 5%:1/10W	71 - 196
1650 4330	Chip Resistor - 33 Ω \pm 5% 1/10W	71 - 197
1650 4330	Chip Resistor - 33 Ω \pm 5% 1/10W	87 - 248
1650 4330	Chip Resistor - 33 Ω \pm 5% 1/10W	63 - 186
1650 4332	Resistor - 3.3K Ω \pm 5% 1/10W	71 - 198
1650 4470	Resistor - 47 Ω \pm 5% 1/10W	87 - 249
1650 4472	Resistor - 4.7K Ω \pm 5% 1/10W	63 - 187

Part No.	Description	Page and Index No.
1650 4479	Resistor - 4.7Ω ±5% 1/10W	71 - 199
1650 4510	Resistor - 51Ω±5%1/10W	63 - 188
1650 4511	Resistor - 510Ω±5%1/10W	71 - 200
1650 4560	Chip Resistor - 56Ω ±5% 1/10W	63 - 189
1650 4560	Chip Resistor - 56Ω ±5% 1/10W	87 - 250
1650 4560	Chip Resistor - 56Ω ±5% 1/10W	71 - 201
1650 4561	Resistor - 560Ω ±5% 1/10W	71 - 202
1650 4562	Resistor - 5.6KΩ ±5% 1/10W	63 - 190
1650 4680	Resistor - 68Ω±5%1/10W	71 - 203
1650 4681	Resistor - 680Ω ±5% 1/10W	63 - 191
1650 5100	Chip Resistor - 10 Ω±5%1/16W	87 - 251
1650 5101	Chip Resistor - 100 Ω±5%1/16W	71 - 204
1650 5101	Chip Resistor - 100 Ω±5%1/16W	87 - 252
1650 5102	Chip Resistor - 1kΩ±5%1/16W	71 - 205
1650 5102	Chip Resistor - 1kΩ±5%1/16W	87 - 253
1650 5103	Chip Resistor - 10kΩ±5%1/16W	71 - 206
1650 5103	Chip Resistor - 10kΩ±5%1/16W	87 - 254
1650 5104	Chip Resistor - 100kΩ±5%1/16W	87 - 255
1650 5104	Chip Resistor - 100kΩ±5%1/16W	71 - 207
1650 5105	Chip Resistor - 1mΩ±5%1/16W	87 - 256
1650 5109	Chip Resistor 1Ω ±5% 1/16W	87 - 257
1650 5122	Chip Resistor - 1.2kΩ±5%1/16W	87 - 258
1650 5150	Resistor - 15Ω ±5% 1/16W	87 - 259
1650 5152	Chip Resistor:1.5kΩ:±5%:1/16W	87 - 260
1650 5153	Chip Resistor - 15kΩ ±5% 1/16W	87 - 261
1650 5202	Chip Resistor:2kΩ:±5%:1/16W	87 - 262
1650 5220	Resistor - 22Ω ±5% 1/16W	87 - 263
1650 5221	Chip Resistor - 220Ω±5%1/16W	87 - 264
1650 5222	Resistor - 2.2KΩ ±5% 1/16W	71 - 208
1650 5222	Resistor - 2.2KΩ ±5% 1/16W	87 - 265
1650 5229	Resistor:2.2 Ω:±5%:1/16W:1005	87 - 266
1650 5244	Resistor:240k Ω:±5%:1/16W:1005	71 - 209
1650 5271	Chip Resistor 270Ω ±5% 1/16W	87 - 267
1650 5272	Chip Resistor:2.7kΩ:±5%:1/16W	87 - 268
1650 5273	Resistor:27kΩ:±5%:1/16W	87 - 269

Part No.	Description	Page and Index No.
1650 5330	Chip Resistor - 33Ω±5%1/16W	71 - 210
1650 5330	Chip Resistor - 33Ω±5%1/16W	87 - 270
1650 5360	Resistor - 36Ω ±5% 1/16W	87 - 271
1650 5470	Chip Resistor 47Ω ±5% 1/16W	87 - 272
1650 5472	Chip Resistor:4.7kΩ:±5%:1/16W	71 - 211
1650 5472	Chip Resistor:4.7kΩ:±5%:1/16W	87 - 273
1650 5510	Chip Resistor - 51Ω±5%1/16W	87 - 274
1650 5512	Chip Resistor 5.1kΩ ±5% 1/16W	87 - 275
1650 5513	Chip Resistor:51kΩ:±5%:1/16W	87 - 276
1650 5514	Chip Resistor:510kΩ:±5%:1/16W	87 - 277
1650 5560	Chip Resistor 56Ω ±5% 1/16W	71 - 212
1650 5560	Chip Resistor 56Ω ±5% 1/16W	87 - 278
1650 5562	Chip Resistor:5.6kΩ:±5%:1/16W	87 - 279
1650 5621	Chip Resistor 620Ω ±5% 1/16W	87 - 280
1650 5680	Resistor - 68Ω ±5% 1/16W	87 - 281
1650 5680	Resistor - 68Ω ±5% 1/16W	71 - 213
1650 5681	Chip Resistor:680Ω:±5%:1/16W	87 - 282
1650 5681	Chip Resistor:680Ω:±5%:1/16W	71 - 214
1650 5683	Chip Resistor 68kΩ ±5% 1/16W	87 - 283
1650 5750	Chip Resistor:75Ω:±5%:1/16W	87 - 284
1650 5820	Chip Resistor:82Ω:±5%:1/16W	87 - 285
1650 5822	Chip Resistor:8.2kΩ:±5%:1/16W	87 - 286
1650 5823	Chip Resistor:82kΩ:±5%:1/16W	87 - 287
1653 4999	Resistor - 49.9Ω ±1% 1/8W	87 - 288
1653 5499	Resistor - 54.9Ω ±1% 1/8W	87 - 289
1654 1001	Resistor - 1KΩ±1%1/10W	71 - 215
1654 1002	Resistor - 10KΩ±5%1/10W	63 - 192
1654 1003	Resistor - 100KΩ±1%1/10W	63 - 193
1654 1403	Resistor:140kΩ:±1%:1/10W	63 - 194
1654 1500	Resistor - 150Ω±1 %1/10W	71 - 216
1654 1501	Resistor - 1.5K Ω ±1% 1/10W 1608	87 - 290
1654 2002	Resistor - 20KΩ±1%1/10W	63 - 195
1654 2401	Resistor - 2.4KΩ ±1% 1/10W	63 - 196
1654 2402	Chip Resistor:24kΩ:±1%:1/10W	63 - 197
1654 4641	Resistor:4.64kΩ:±1%:1/10W	63 - 198

Part No.	Description	Page and Index No.
1654 4709	Resistor - 47Ω±1% 1/10W	71 - 217
1654 5109	Resistor:51Ω:±1%:1/10W	71 - 218
1654 5621	Resistor:5.62kΩ:±1%:1/10W	63 - 199
1654 8259	Resistor - 82.5Ω ±1% 1/10W	71 - 219
1655 0000	Chip Resistor - 0Ω±0%1/16W	87 - 291
1655 0000	Chip Resistor - 0Ω±0%1/16W	71 - 220
1655 1000	Chip Resistor:100Ω:±1%:1/16W	71 - 221
1655 1001	Chip Resistor - 1kΩ ±1% 1/16W	71 - 222
1655 1002	Chip Resistor - 10kΩ±1%1/16W	71 - 223
1655 1002	Chip Resistor - 10kΩ±1%1/16W	87 - 292
1655 1004	Resistor - 1MΩ ±1% 1/16W	71 - 224
1655 1102	Resistor - 11KΩ ±1% 1/16W	87 - 293
1655 1301	Chip Resistor:1.3kΩ:±1%:1/16W	87 - 294
1655 1502	Resistor - 15KΩ ±1% 1/16W	87 - 295
1655 1602	Resistor:16k Ω:±1%:1/16W	87 - 296
1655 1651	Resistor:1.65k Ω:±1%:1/16W:1005	87 - 297
1655 1800	Chip Resistor:180Ω:±1%:1/16W	87 - 298
1655 1912	Resistor:19.1k Ω:±1%:1/16W	87 - 299
1655 2002	Chip Resistor - 20kΩ±1%1/16W	87 - 300
1655 2402	Resistor - 24KΩ ±1% 1/16W	87 - 301
1655 3000	Chip Resistor:300Ω:±1%:1/16W	87 - 302
1655 3402	Resistor:34k Ω:±1%:1/16W	87 - 303
1655 3900	Resistor:390 Ω:±1%:1/16W	87 - 304
1655 4321	Resistor:4.32k Ω:±1%:1/16W	87 - 305
1655 4701	Chip Resistor - 4.7kΩ±1%1/16W	87 - 306
1655 4701	Chip Resistor - 4.7kΩ±1%1/16W	71 - 225
1655 4703	Resistor - 470KΩ ±1% 1/16W	87 - 307
1655 5600	Resistor - 560Ω ±1% 1/16W	71 - 226
1655 6342	Resistor:63.4k Ω:±1%:1/16W	87 - 308
1655 8202	Resistor - 82KΩ ±1% 1/16W	87 - 309
1655 9761	Resistor:9.76k Ω:±1%:1/16W	87 - 310
1660 2101	Capacitor - 100pF - ±10% - 50V	87 - 311
1660 2101	Capacitor - 100pF - ±10% - 50V	63 - 200
1660 2101	Capacitor - 100pF - ±10% - 50V	71 - 227
1660 2120	Capacitor - 12 pF ±5% 50V	63 - 201

Part No.	Description	Page and Index No.
1660 2121	Capacitor - 120pF ±5% 50V	87 - 312
1660 2150	Capacitor - 15pF ±5% 50V	63 - 202
1660 2181	Capacitor - 180pF ±5% 50V	71 - 228
1660 2270	Capacitor - 27pF ±20% 35V	63 - 203
1660 2330	Capacitor - 33pF - ±5% - 50V	63 - 204
1660 2470	Capacitor - 47pF ±5% 50V	87 - 313
1660 2470	Capacitor - 47pF ±5% 50V	63 - 205
1660 2470	Capacitor - 47pF ±5% 50V	71 - 229
1660 2471	Capacitor - 470pF - ±5% - 50V	63 - 206
1660 2471	Capacitor - 470pF - ±5% - 50V	87 - 314
1660 2560	Capacitor - 56pF ±5% 50V	71 - 230
1660 4102	Capacitor - 1000pF ±10% 50V	87 - 315
1660 4102	Capacitor - 1000pF ±10% 50V	71 - 231
1660 4103	Capacitor - 10000pF - ±10% - 50V	71 - 232
1660 4103	Capacitor - 10000pF - ±10% - 50V	63 - 207
1660 4222	Capacitor - 2200pF - ±10% - 50V	71 - 233
1660 4332	Capacitor - 3300pF - ±10% - 50V	71 - 234
1660 4472	Capacitor - 4700PF±10% 50V	71 - 235
1660 4472	Capacitor - 4700PF±10% 50V	87 - 316
1660 4472	Capacitor - 4700PF±10% 50V	63 - 208
1660 6103	Capacitor - 10000pF - +80%-20%50V	63 - 209
1660 8104	Capacitor - 0.1μF +80-20% 25V	71 - 236
1660 8104	Capacitor - 0.1μF +80-20% 25V	87 - 317
1660 8104	Capacitor - 0.1μF +80-20% 25V	63 - 210
1902 0070	SRAM - 1M:X8:3.3V:G2	71 - 237
1906 0094	Flash Memory - S29AL016D70TFI020	71 - 238
1906 0105	Flash Memory:S29GL128N10TFI020	87 - 318

Part No.	Description	Page and Index No.
5203 9502	Grease 501	95 - 3
5206 2686	Snap Ring	3 - 18
5206 2686	Snap Ring	53 - 9
5206 2686	Snap Ring	29 - 2
5206 2686	Snap Ring	15 - 12
5206 2686	Snap Ring	13 - 33
5216 4198	Stepped Screw - Guide Plate	11 - 14
5447 2681	Snap Ring	27 - 4
5447 2681	Snap Ring	13 - 8
5447 2681	Snap Ring	35 - 10
5447 2681	Snap Ring	37 - 8
5447 2681	Snap Ring	11 - 1

Part No.	Description	Page and Index No.
----------	-------------	--------------------

Free Manuals Download Website

<http://myh66.com>

<http://usermanuals.us>

<http://www.somanuals.com>

<http://www.4manuals.cc>

<http://www.manual-lib.com>

<http://www.404manual.com>

<http://www.luxmanual.com>

<http://aubethermostatmanual.com>

Golf course search by state

<http://golfingnear.com>

Email search by domain

<http://emailbydomain.com>

Auto manuals search

<http://auto.somanuals.com>

TV manuals search

<http://tv.somanuals.com>