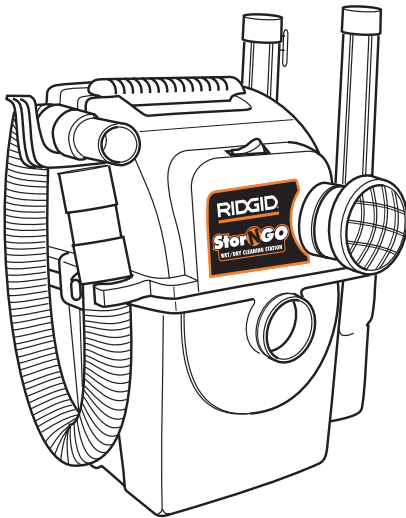


RIDGID®

OWNERS MANUAL



WD55000

**5 GALLONS/
4.2 CDN. GALLONS
STOR N GO
WET/DRY VAC**

**For Your Safety:
Read all instructions carefully
Save this manual for future refer-
ence**

**FOR QUESTIONS OR INFORMATION
CONTACT US AT**

**1-800-4-RIDGID (1-800-474-3443) OR
www.ridgidvac.com**

MAXIMIZE VACUUM PERFORMANCE WITH A NEW FILTER

**\$500
Gift Card
Sweepstakes**



Logon to . . .
www.ridgidvac.com
to Join Our Filter Club
and/or Enter Our
**\$500 Home Depot Gift
Card Sweepstakes.**



— IMPORTANT —

If you require a French owner's manual, call 1-800-4-RIDGID or E-mail us at info@ridgid-vacs.com.

Si vous nécessitent un mode d'emploi en français, téléphonez au 1-800-4-RIDGID ou contactez-nous par courrier électronique à info@ridgidvacs.com.

Table of Contents

Section	Page	Section	Page
Table of Contents	2	Hoses	13
Important Safety Instructions	2	Diffuser Cap Assembly	13
Safety Signal Words	2	Operation	14
Save These Instructions	3	Vacuuming Dry Materials	14
Introduction	4	Vacuuming Liquids	14
Unpacking and Checking		Emptying the Vac Canister	15
Carton Contents List	5	Blowing Feature	15
Float/Cage Replacement	6	Maintenance	16
Storage Rack Assembly & Mounting	7	Filter	16
Stor N Go Assembly	9	Filter Removal	16
Vac Assembly	9	Filter Cleaning	16
Cord Wrap Storage	9	Cleaning A Dry Filter	16
Accessory Storage Bin	9	Cleaning A Wet Filter	16
Hose Storage	9	Installation	16
Hanging Vac on Storage Rack	10	Cleaning & Disinfecting the	
Cord Storage	11	Wet/Dry Vac	17
Removing Vac from Storage Rack	11	Stor N Go Vac Cleaning	17
Accessories	12	Repair Parts	18
Hose, Extension Wand & Cleaning		Warranty	20
Tool Storage	12		

IMPORTANT SAFETY INSTRUCTIONS

Safety is a combination of common sense, staying alert and knowing how your vac works. Read this manual to understand the vac.

Safety Signal Words

DANGER: means if the safety information is not followed someone **will** be seriously injured or killed.

WARNING: means if the safety information is not followed someone **could** be seriously injured or killed.

CAUTION: means if the safety information is not followed someone **may** be injured.

When using your Wet/Dry Vac, follow basic safety precautions including the following.

WARNING - To reduce the risk of fire, electric shock, or injury:

Read and understand this owner's manual and all labels on the Wet/Dry Vac before operating. Use only as described in this manual. To reduce the risk of personal injury or damage to Wet/Dry Vac, use only RIDGID recommended accessories.

Sparks inside the motor can ignite flammable vapors or dust. To reduce the risk of fire or explosion:

- Do not vacuum, or use this Wet/Dry Vac, near flammable or combustible liquids, gases, or explosive dusts, like gasoline or other fuels, lighter fluid, cleaners, oil-based paints, natural gas, hydrogen, coal dust, magnesium dust, grain dust, or gun powder.

- Do not use Wet/Dry Vac as a sprayer.
- Do not vacuum anything that is burning or smoking, such as cigarettes, matches, or hot ashes.
- Do not vacuum drywall dust or cold fireplace soot or ash with standard wet/dry filter. This is a very fine dust which will not be captured by the filter and may cause damage.
- To reduce the risk of health hazards from vapors or dusts, do not vacuum toxic materials.
- Do not use or store near hazardous materials.
- Do not run Wet/Dry Vac unattended.
- To reduce the risk of electric shock, do not expose to rain. Store indoors.
- Do not allow Wet/Dry Vac to be used as a toy. Close attention is necessary when used by or near children.
- Do not use this Wet/Dry Vac with a torn filter or without the filter installed except when vacuuming liquids as described in the operation section of this manual.
- Do not leave Wet/Dry Vac when plugged in. Unplug from outlet when not in use and before servicing. Turn off Wet/Dry Vac before unplugging.
- To reduce the risk of injury from accidental starting, unplug power cord before changing or cleaning filter.
- Do not unplug by pulling on cord. To unplug, grasp the plug, not the cord.
- Do not use with damaged cord, plug or other parts. If your Wet/Dry Vac is not working as it should, has missing parts, has been dropped, damaged, left outdoors, or dropped into water, return it to an Authorized Service Center.
- Do not pull or carry by cord, use cord as handle, close a door on cord, or pull cord around sharp edges or corners. Do not run Wet/Dry Vac over cord. Keep cord away from heated surfaces.
- Do not handle plug or the Wet/Dry Vac with wet hands.
- Do not put any object into ventilation openings. Do not vacuum with any ventilation openings blocked; keep free of dust, lint, hair or anything that may reduce air flow.
- Keep hair, loose clothing, fingers, and all parts of body away from openings and moving parts.
- To reduce the risk of falls, use extra care when cleaning on stairs.

When using as blower:

- Direct air discharge only at work area.
- Do not direct air at bystanders.
- Keep children away when blowing.
- Do not use blower for any job except blowing dirt and debris.
- Do not store or stack items on top of vac.

WARNING: To reduced the risk of fire, do not store foreign objects in the accessory compartment. Only store Vac Accessories.

This Wet/Dry Vac is double-insulated, eliminating the need for a separate grounding system. Use only identical replacement parts. Read the instructions for Servicing Double-Insulated Wet/Dry Vacs before servicing.

Observe the following warnings that appear on the motor housing of your Wet/Dry Vac.

 **DOUBLE INSULATED
GROUNDING NOT REQUIRED.
WHEN SERVICING USE ONLY
IDENTICAL REPLACEMENT PARTS.**

WARNING: To reduce the risk of electric shock - do not expose to rain - store indoors.

WARNING: For your own safety, read and understand owner's manual. Do not run unattended. Do not pick up hot ashes, coals, toxic, flammable or other hazardous materials. Do not use around explosive liquids or vapors.

SAVE THESE INSTRUCTIONS

The operation of any utility vac or blower can result in foreign objects being blown into the eyes, which can result in severe eye damage. Always wear safety goggles complying with ANSI Z87.1 (or in Canada CSA Z94.3) shown on package. Everyday eyeglasses have only impact resistant lenses. They are not safety glasses. Safety Goggles are available at many local retail stores. Glasses or goggles not in compliance with ANSI or CSA could seriously hurt you when they break.



To reduce the risk of hearing damage, wear ear protectors when using the vac for extended hours or when using it in a noisy area.

For dusty operations, wear dust mask.

Use only extension cords that are rated for outdoor use. Extension cords in poor condition or that are too small in wire size can pose fire and shock hazards. When using an extension cord, be sure it is in good condition. Using any extension cord will cause some loss of power. To keep the loss to a minimum, use the following table to choose the minimum wire size extension cord.

Extension Cord Length	Gauge A.W.G.
0-50 Ft.	14
50-100 Ft.	12

Introduction

This Stor N Go Vac is intended for household use only. It may be used for light vacuuming of wet or dry media and may be used as a blower. The light weight design allows usage for most small household vacuuming chores. Familiarize yourself with the following product and features and read the entire owner's manual for specific usage of your new wet/dry vac.

IMPORTANT NOTE Please Read Carefully

Static Shocks Are Common - In dry areas or when the relative humidity of the air is low. To reduce the frequency of static shocks in your home the best remedy is to add moisture to the air with a humidifier.

Unpacking and Checking Carton Contents —

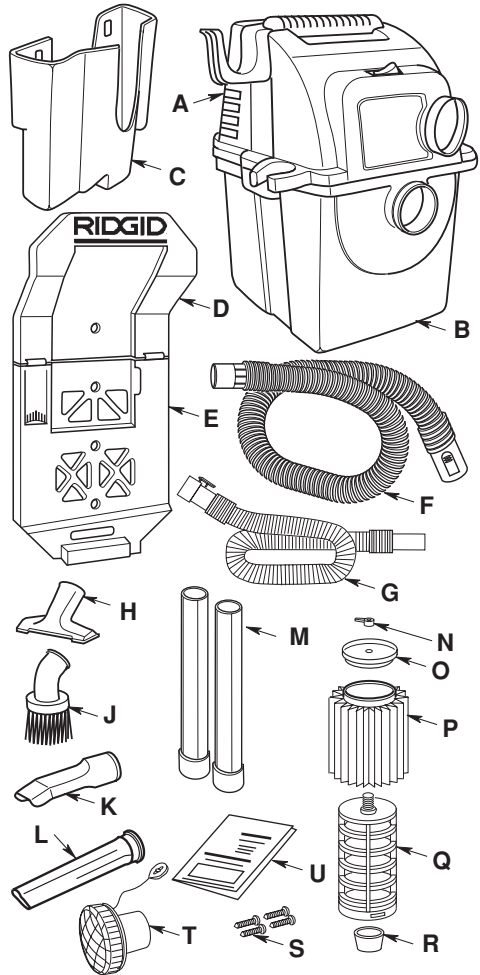
Remove contents of carton. Check each item against the Carton Contents List. Contact 1-800-4-RIDGID (www.ridgidvac.com) if any parts are damaged or missing.

Carton Contents List

Key Description	Qty.
A Vac Motor Assembly	1
B Vac Canister	1
C Accessory Storage Bin	1
D† Storage Upper Rack	1
E† Storage Lower Rack	1
F 14 Foot Tug-A-Long Hose Assembly	1
G 7 Foot Super Flex Hose Assembly	1
H Utility Nozzle	1
J Dusting Brush	1
K Car Nozzle	1
L Crevice Tool	1
M Extension Wands	2
N* Filter Nut	1
O* Filter Plate	1
P* Filter	1
Q* Filter Cage	1
R* Float	1
S #10 x 1-3/4 Wood Screws	4
T Diffuser	1
U Owner's Manual	1

† When assembled, the Storage Rack will hold the maximum weight of 40 pounds.

* These items may come preassembled. If they are not present in the carton check the vac power head to see if they are pre-assembled.



Float/Cage Replacement

WARNING: For your own safety, never connect plug to power source until all assembly steps are complete and you have read and understood the safety and operation instructions. Do not operate vac with any parts damaged or missing.

WARNING: To avoid personal injury or damage to vac be sure to keep hands, fingers, or any other foreign objects out of the center opening when assembling the float.

1. Carefully slide the filter over the filter cage, sliding it over the center ring covering the 3 slots until the filter stops against the lid.
2. Place the hole in the filter plate over threaded stud of the filter cage.
3. Gently push on the filter plate to seat the rubber ring of the filter inside the circular channel of the filter plate.
4. Place filter nut onto threaded stud and tighten it down. Finger tighten only.

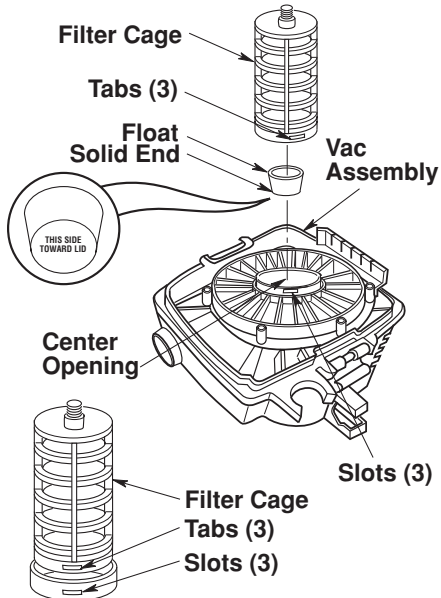
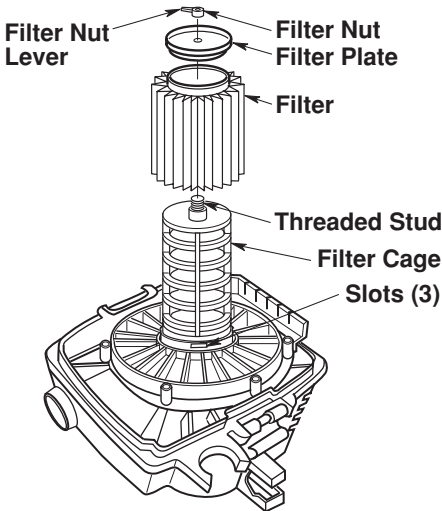
NOTE: Lever of filter nut should be away from plate as shown.

IMPORTANT: Do not overtighten as this may deform or crack the filter plate, filter cage, or filter.

Filter Cage Assembly

NOTE: If filter cage or float needs to be removed, or replaced, use a flat blade screwdriver and insert the blade near one of the tabs between the filter cage and the center opening of the lid. Pry the tab out of the slot. Tilt the cage and lift away from the lid. Replace in the following manner:

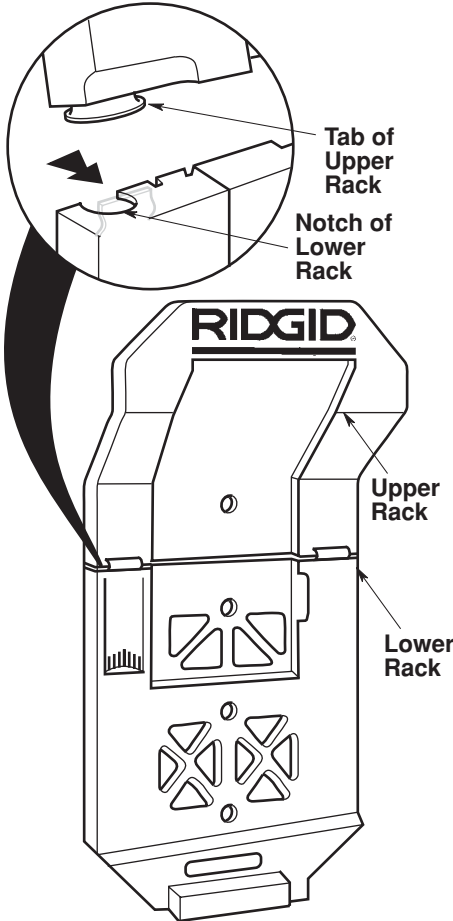
1. Place the float over the opening in the center of the lid with the words "This Side Towards Lid" laying face down over the hole.
2. Line up filter cage tabs with slots in the center opening of the lid.
3. Push on the filter cage until the tabs snap into slots for a secure fit.



Storage Rack Assembly & Mounting

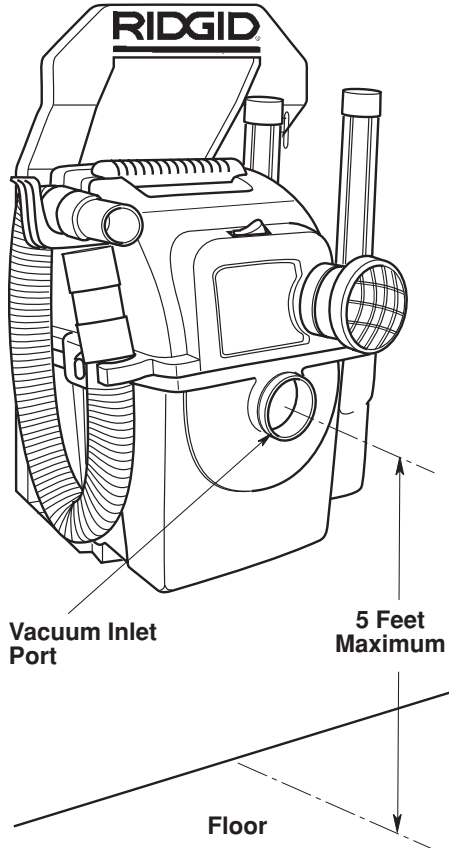
Assembling Upper and Lower Rack

Align the tabs in the upper rack with notches in lower rack. Slide upper rack forward until the hooks on the lower rack engages the bottom flange of the upper rack. You will hear an audible click when the locks engage.



Mounting Storage Rack to Wall

- Do not mount over 5 feet from the floor.
 - Do not attach screws to drywall only. Make sure screws are attached to a stud.
 - Do not sit or hang on storage rack.
 - Do not exceed maximum weight limit of 40 pounds.
1. Choose a location that is indoors and not exposed to rain. For best performance and easy access, position the storage rack so the center of the vacuum inlet port is no more that five feet from floor and no more than eighteen feet from an electrical outlet.

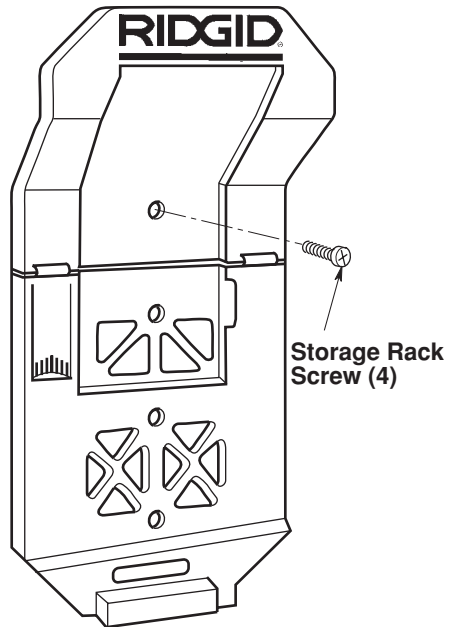


Storage Rack Assembly & Mounting (cont.) –

2. Locate wall stud and position the storage rack so that all four screw holes are over the stud. Level the rack and mark the hole locations. Drill a 1/8 inch diameter pilot hole at each location. Attach the storage rack to wall studs using the four screws provided. Make sure all four screws are driven securely into the wall stud.
3. If the desired location does not align with a wall stud or the studs are exposed, a 1/2 inch thick plywood panel wide enough to span at least two studs, must be attached to the studs with the four screws provided. The storage rack may then be attached to the plywood panel with four 1 inch #10 pan or round head wood screws (not provided).

NOTE: Supplied wood screws are intended for mounting to typical wall construction consisting of 5/8 inch drywall or less.

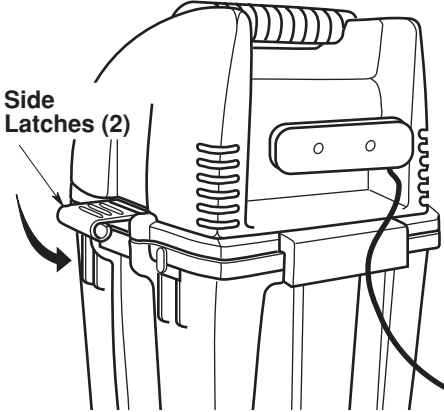
CAUTION: To prevent plywood, Storage Rack, or Wet/Dry Vac from falling, make sure you have selected the proper length of fastener for the secure mounting of storage rack to the wall.



Stor N Go Vac Assembly

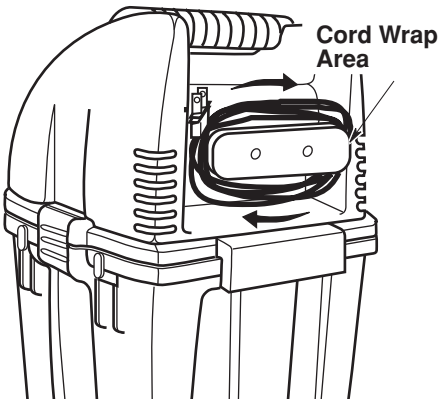
Vac Assembly

Place vac motor assembly onto vac canister assembly and secure with the two side latches.



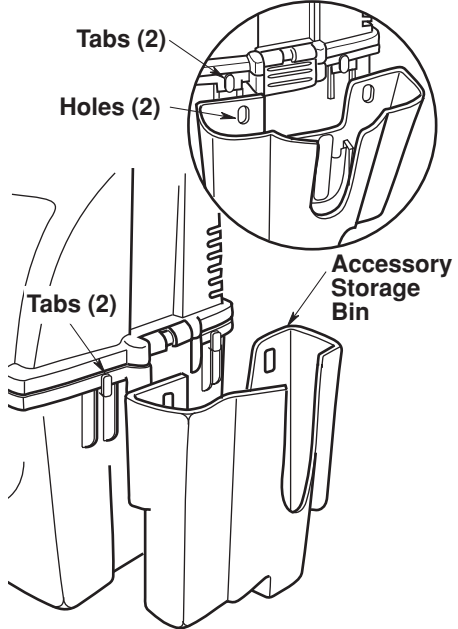
Cord Wrap Storage

Wind the electrical cord clockwise (from the rear) around the cord wrap area on back of vac motor assembly.



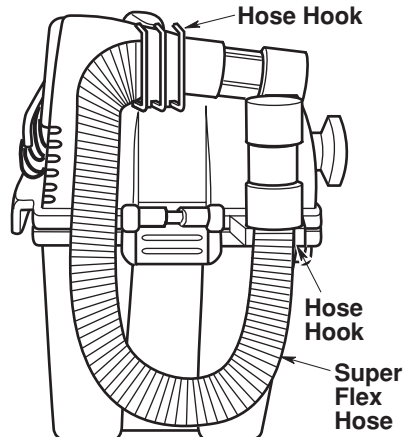
Accessory Storage Bin

Attach the Accessory Storage Bin to the vac assembly by inserting the tabs on the vac canister through the holes in the storage bin and lowering the bin into place.



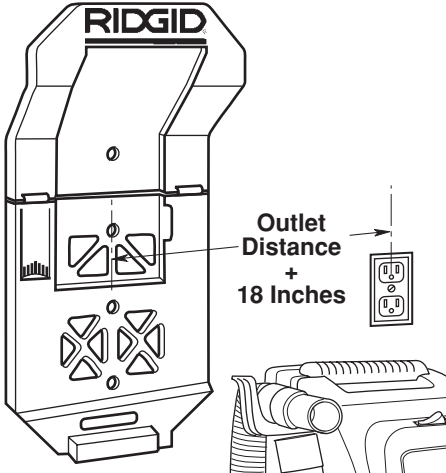
Hose Storage

Slide each end of the Super Flex Hose into the appropriate hose hooks located on the vac motor assembly.

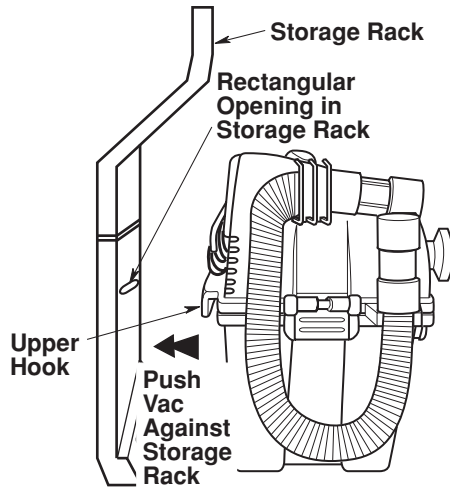
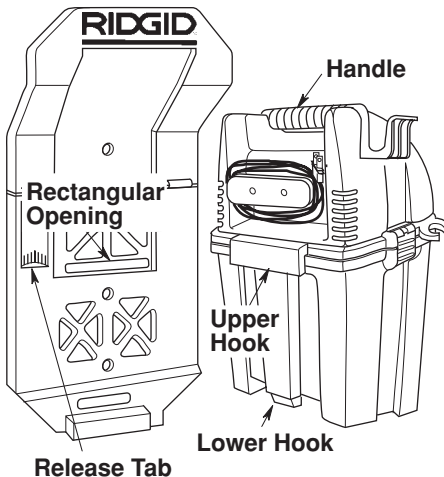


Hanging Vac on Storage Rack

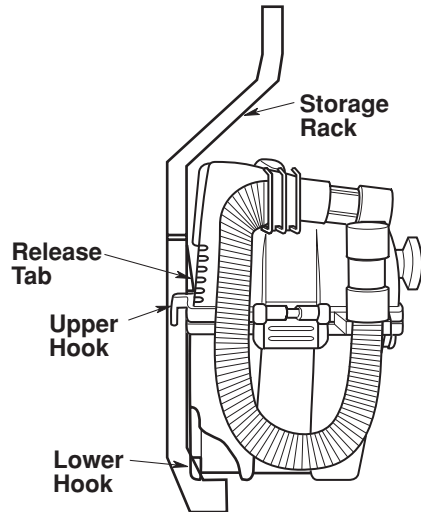
1. Set the vac on the floor near the storage rack. Measure the distance from center of storage rack to the closest electrical outlet and add 18 inches.



2. Uncoil that amount of power cord from the cord wrap. Drape the loose cord over the top of the vacuum and down the front.
3. Grasp the handle with one hand and the bottom of the vac canister at the front with the other hand. Always lift the vac with both hands. Lift the vac up to the storage rack.
4. Align the upper hook on the vac with the rectangular opening in the storage rack. Push the vac against the storage rack.



5. Lower the vac until the upper hook and lower hook are engaged and the bottom of the vac canister rests on the rack. The release tab will pop out over the flange on the motor assembly.



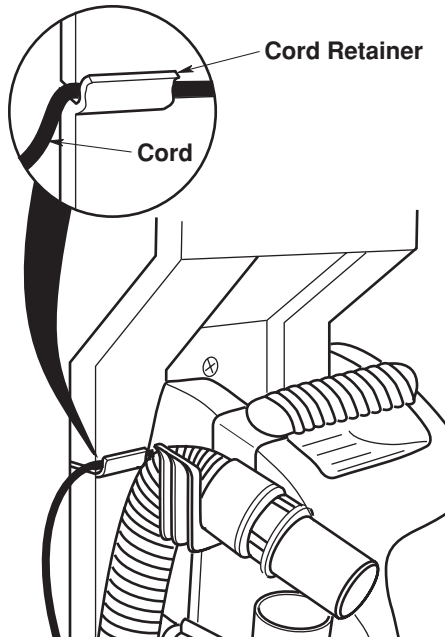
6. Snap the power cord into the cord retainer in the front surface of the rack. The cord may exit on either the left or right side. Plug the power cord into the electrical outlet. Do not fasten power cord to wall in any way.

Cord Storage

When your Stor N Go Wet/Dry Vac is not in use, it should be unplugged from the outlet. Excess cord should be wrapped over the hose storage rack. Several loops may be required to eliminate any tripping hazard created by a loosely hanging cord.

Removing Vac from Storage Rack

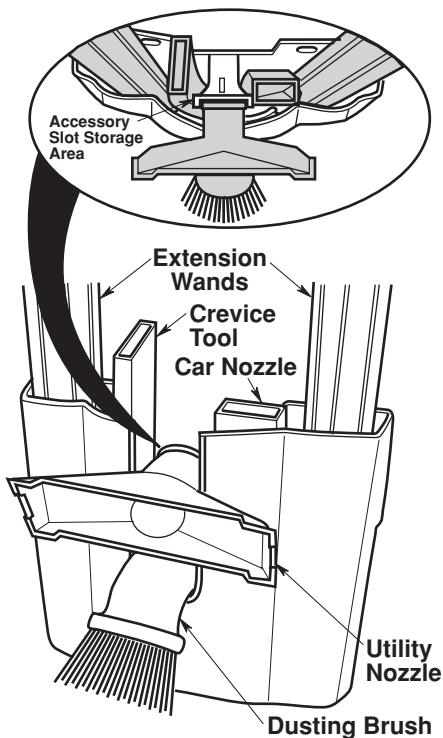
1. Unplug the power cord from the electrical outlet. Remove the cord from the cord retainer. Drape the loose cord over the top of the vac.
2. With your right hand, grasp the carry handle.
3. With your left hand depress the release tab located on the left side of the storage rack.
4. Lift up on the handle, and pull the vac up and out of the storage rack.



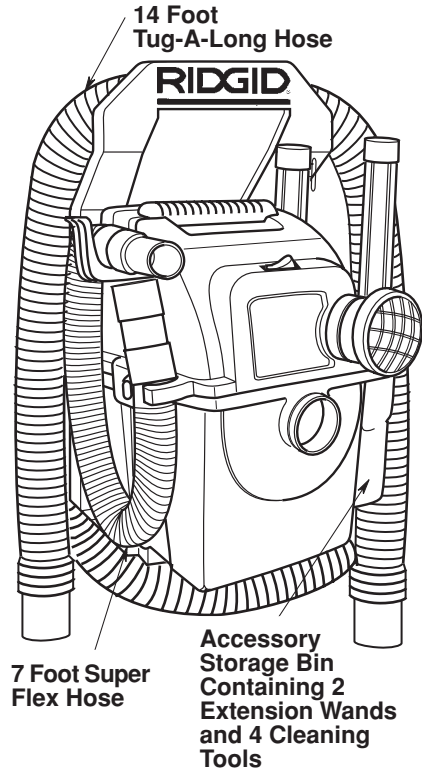
Accessories

Hose, Extension Wand, and Cleaning Tool Storage

- Slide the extension wands at the far sides of the Accessory Storage Bin located on the right side of the Stor N Go Vac. Slide the car nozzle and the crevice tool next to the extension wands in the storage bin. Position the dusting brush horizontal and slide it into the storage bin's accessory slot. It is necessary to place the dusting brush into the accessory slot first, as the utility nozzle will not fit in this position. Last, place the utility nozzle flush against the accessory slot storage area and slide down into storage position. The storage bin accommodates both extension wands and the four cleaning tools.



- Insert the 7 foot Super Flex Hose ends into the hooks on the left side of the Stor N Go Vac, as shown below.
- Form a double loop with the 14 foot Tug-A-Long Hose and hang on hose storage hook at the top of the rack.

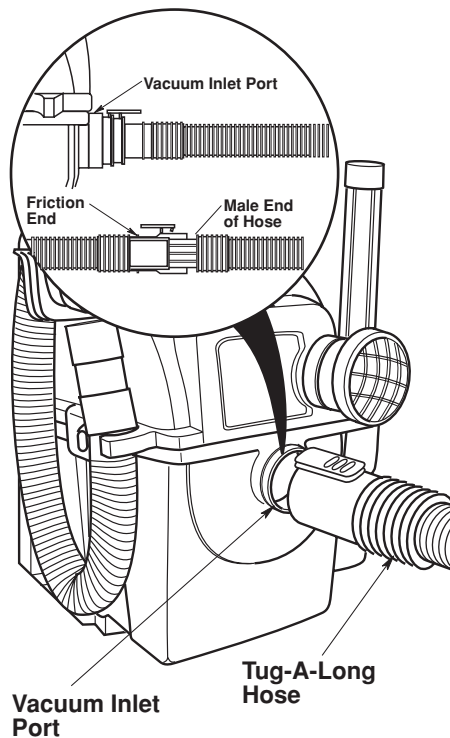


Hoses (14 Foot Tug-A-Long & 7 Foot Super Flex)

The 14 Foot Tug-A-Long Hose and the 7 Foot Super Flex Hose have an adaptor that can be used to connect the hose to the vacuum port on the vac or to the male end of another hose. Both 7 foot and 14 foot hoses can be used connected together or independently from one another.

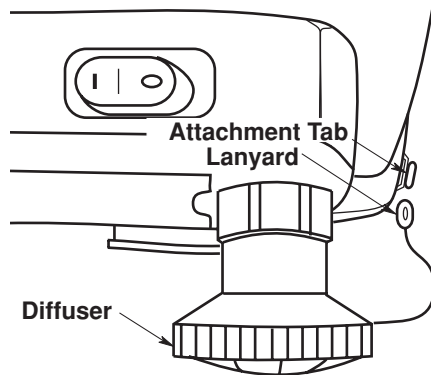
Both the 7 foot and 14 foot hoses have a locking adaptor on one end that will connect to the vac, and a friction fit at the other end, which will connect to all the 1-7/8 inch accessories or a second hose.

To connect these two hoses together, first connect the 14 foot hose to the wet/dry vac. Next connect the 7 foot hose to the 14 foot hose by inserting the friction end of the longer hose into the larger locking end of the shorter hose. This will create a friction connection.



Diffuser Cap Assembly

Connect the lanyard to the attachment tab on the vac motor assembly to keep the diffuser attached to vac when using the blower port. The diffuser cap can be used in the exhaust port of the Wet/Dry Vac. Installing the diffuser cap will allow you to diffuse the exhaust air in any direction and reduce the intensity of the exhaust force.



Operation

WARNING

To reduce the risk of fire or explosion, do not operate this vac in areas with flammable gases, vapors or explosive dust in the air. Flammable gases or vapors include but are not limited to; lighter fluid, solvent type cleaners, oil-base paints, gasoline, alcohol or aerosol sprays. Explosive dusts include but are not limited to; coal, magnesium, grain or gun powder. Do not vacuum explosive dust, flammable or combustible liquids or hot ashes. Do not use this vac as a sprayer. To reduce the risk of health hazards from vapors or dusts, do not vacuum toxic materials.

WARNING: The operation of any utility vac can result in foreign objects being blown into the eyes, which can result in severe eye damage. Always wear safety goggles complying with ANSI Z87.1 (or in Canada, CSA Z94.3) shown on package before starting operation. Safety Goggles are available at many local retail stores.

CAUTION: To reduce risk of hearing damage, wear ear protectors when using the vac for extended hours or when using it in a noisy area.

To reduce the risk of electric shock, this appliance has a polarized plug (one blade is wider than the other). This plug will fit in a polarized outlet only one way. If the plug does not fit fully in the outlet, reverse the plug. If it still does not fit, contact a qualified electrician to install the proper outlet. Do not change the plug in any way.

After you plug the power cord into the outlet, turn the unit on by pushing the switch from position "O" to position "I". The symbols used on the switch actuator are international "On & Off" symbols. "O" is the symbol for "OFF" and "I" is the symbol for "ON".

○ = OFF | = ON

Vacuumping Dry Materials

1. The filter must always be in correct position to reduce the risk of leaks and possible damage to the vac.
2. When using your vac to pick up very fine dust, it will be necessary for you to empty the vac canister and clean the filter at more frequent intervals to maintain peak vac performance.

NOTE: A dry filter is necessary to pick up dry material. If you use your vac to pick up dust when the filter is wet, the filter will clog quickly and be very difficult to clean.

3. If your filter is wet but you need to use the vac to pick up dry material, you can quickly dry the filter by running the vac without hose attached for about 10 minutes. The clean air rushing through the vac will help dry the filter.

The optional RIDGID HEPA Rated Material Filter, stock number VF5000 will do a better job stopping very fine particles than the VF4000 filter.

Vacuumping Liquids

1. When picking up small amounts of liquid the filter may be left in place.
2. When picking up large amounts of liquid, we recommend that the filter be removed. If the filter is not removed, it will become saturated and misting may appear in the exhaust.

CAUTION: Do not remove the filter cage or float. It is there to shut off airflow when the drum is full of liquids.

3. When picking up large amounts of liquid, it is recommended that you remove the vac from the storage rack and place it on the floor. When full of water the vac will weigh approximately 40 pounds and may be difficult to remove from the storage rack. Always empty vac and dry filter immediately after picking up liquids.
4. After using the vac to pick up liquids, the filter must be dried to reduce the risk of possible mildew and damage to the filter.
5. When the liquid in the vac canister reaches a predetermined level, the float mechanism will rise automatically to cut off airflow. When this happens, turn off the vac, unplug the power cord, and empty the vac canister. You will know that the float has risen because vac airflow ceases and the motor noise will become higher in pitch, due to increased motor speed.

IMPORTANT: To reduce the risk of damage to the vac do not run motor with float in raised position.

Emptying the Vac Canister

WARNING: To reduce the risk of injury from accidental starting, unplug power cord before emptying the vac canister.

1. With the vacuum removed from the storage rack (see Removing Vac from Storage Rack section), remove the vac motor assembly from the vac canister assembly.
2. Lay vac motor assembly upside down on a clean area while emptying vac canister.
3. Dump the vac canister contents into the proper waste disposal container.

WARNING: To reduce the risk of back injury or falls, do not lift a vac heavy with liquid or debris. Scoop or drain enough contents out to make the vac light enough to lift comfortably.

Blowing Feature

Your Wet/Dry Vac has the capability to be used as a blower for yard work, patio cleanup and workshop applications to blow sawdust and other debris.

WARNING: Always wear safety goggles complying with ANSI Z87.1 (or in Canada CSA Z94.3) before using as a blower.

WARNING: Wear a dust mask if blowing creates dust which might be inhaled.

WARNING: To reduce the risk of injury to bystanders, keep them clear of blowing debris.

CAUTION: To reduce the risk of hearing damage, wear ear protectors when using the vac/blower for extended hours or when using it in a noisy area.

1. Locate blowing port of your vac.
2. Insert the Tug-A-Long end of hose into the blowing port of the vac.
3. (Optional) Attach extension wand to swivel end of hose, then place the car nozzle on the wand.
4. Turn vac on and you are ready to use your vac as a blower.

Maintenance

Filter

WARNING: To reduce the risk of injury from accidental starting, unplug power cord before changing or cleaning filter.

NOTE: This filter is made of high quality paper designed to stop very small particles of dust. The filter can be used for wet or dry pick up. Handle the filter carefully when removing to clean or installing it. Creases in the filter pleats may occur from installation but creases will not affect the performance of the filter.

Filter Removal

To remove the filter for cleaning or replacement, unscrew the filter nut from the filter cage, remove filter plate and lift off filter.

IMPORTANT: To reduce the risk of dam-

WARNING: Do not remove the filter cage. It is there to help prevent your fingers from getting into the blower wheel.

age to the blower wheel and motor, always reinstall the filter before using the vac for dry material pickup.

Filter Cleaning

Your filter should be cleaned often to maintain peak vac performance.

Be sure to dry the filter before storing or picking up dry debris.

IMPORTANT: After cleaning, check the filter for tears or small holes. Do not use a filter with holes or tears in it. Even a small hole can cause a lot of dust to come out of your vac. Replace it immediately.

Cleaning A Dry Filter

Some removal of dry debris can be accomplished without removing the filter from the vac. Slap your hand on top of the power assembly while the vac is turned off and remove from the storage rack.

For best cleaning results due to accumulated dust, clean the filter in an open area. Cleaning **SHOULD** be done outdoors and not in the living quarters.

After filter removal from vac, remove the dry debris by gently tapping the filter against the inside wall of your dust vac canister. The debris will loosen and fall.

For thorough cleaning of dry filter with fine dust (no debris), run water through it as described under "Cleaning A Wet Filter".

Cleaning A Wet Filter

After filter is removed, run water through the filter from a hose or spigot. Take care that water pressure from the hose is not strong enough to damage filter. Remember: To dry a filter quickly, reinstall the filter on the vac and allow the unit to run for approximately 10 minutes. The clean air rushing through the filter will help dry it.

Installation

Refer to "Replacement Filter Assembly" Section of this manual.

Allow the filter to dry before storing the vac.

Cleaning and Disinfecting the Wet/Dry Vac

To keep your Wet/Dry Vac looking its best, clean the outside with a cloth dampened with warm water and mild soap.

To clean the drum:

1. Dump debris out.
2. Wash drum thoroughly with warm water and mild soap.
3. Wipe out with dry cloth.

Before prolonged storage or as needed (i.e.; waste water pick up) the drum should be disinfected.

To disinfect the drum:

1. Pour 1 gallon of water and 1 teaspoon chlorine bleach into the drum.
2. Let solution stand for 20 minutes, carefully swishing every few minutes, making sure to wet all inside surfaces of the drum.
3. Empty drum after 20 minutes. Rinse with water until bleach smell is gone. Allow drum to dry completely before sealing the motor on the drum.

Stor N Go Vac Cleaning

To keep your Wet/Dry Stor N Go Vac looking its best, clean the outside with a cloth dampened with warm water and mild soap.

To clean the vac canister:

1. Dump debris out.
2. Wash vac canister thoroughly with warm water and mild soap.
3. Wipe out with dry cloth.

WARNING: To assure product SAFETY and RELIABILITY, repairs and adjustment should be performed by RIDGID Service Centers, always using RIDGID replacement parts.

Repair Parts

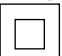
RIDGID 5 Gallon STOR N GO Wet/Dry Vac Model Number WD55000

RIDGID parts are available on-line at www.ridgidparts.com

Always order by Part Number - Not by Key Number

WARNING

SERVICING OF DOUBLE-INSULATED WET/DRY VAC

In a double-insulated Wet/Dry Vac, two systems of insulation are provided instead of grounding. No grounding means is provided on a double-insulated appliance, nor should a means for grounding be added. Servicing a double-insulated Wet/Dry Vac requires extreme care and knowledge of the system, and should be done only by qualified service personnel. Replacement parts for a double-insulated Wet/Dry Vac must be identical to the parts they replace. Your double-insulated Wet/Dry Vac is marked with the words "DOUBLE INSULATED" and the symbol  (square within a square) may also be marked on the appliance.

To reduce the risk of injury from electrical shock, unplug power cord before servicing the electrical parts of the Wet/Dry Vac.

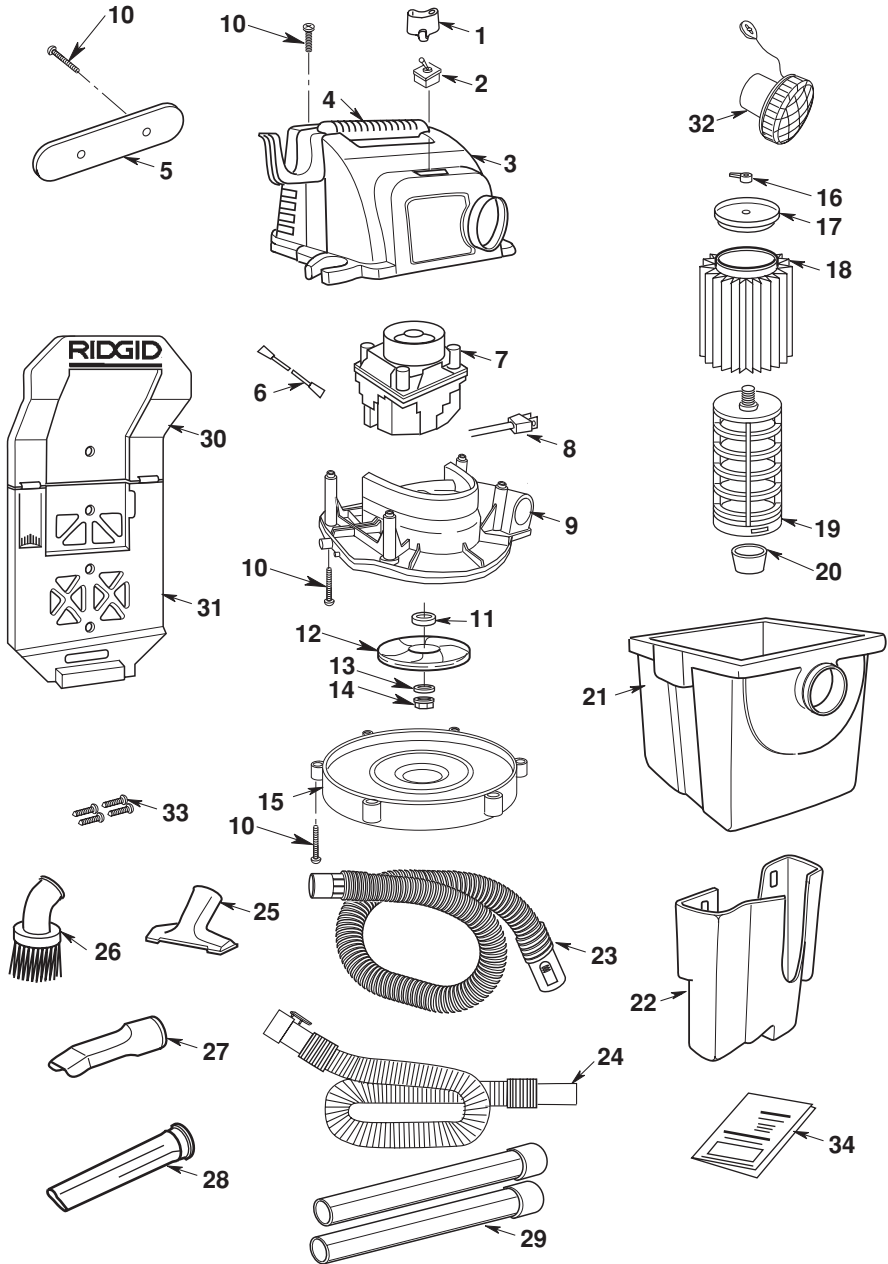
Key No.	Part No.	Description
1	830564	Actuator, Switch
2	813213	Switch, Toggle
3	829971-33	Motor Cover (Includes Keys 1, 2, 4, 5, & 8)
4	831111	Handle, Carry
5	830666-1	Retainer Cord
6	819260-5	Lead Assembly
7	509776-19	Motor Assembly (Includes Keys 6, 11, 12, 13, & 14)
8	829719-8	Cord w/Terminals
9	829971-34	Lid Assembly
10	820563-4	* Screw, Pan Head Type "AB" 10 x 3/4
11	818961	Spacer
12	818413-3	Blower Wheel
13	315534-1	Washer
14	826817	Nut, Hex Flange 5/16-18
15	831032	Collector
16	73316	Filter Nut
17	73317	Filter Plate
18	VF4000	† Filter
19	823201-1	Filter Cage
20	509488	Float
21	829971-35	Vac Canister
22	831115	Accessory Storage Bin
23	830673	14 Foot Tug-A-Long Hose
24	831327	7 Foot Super Flex Hose
25	VT1789	† Utility Nozzle
26	VT1785	† Dusting Brush
27	VT1781	† Car Nozzle
28	VT1786	† Crevice Tool
29	VT1787	† Extension, Wands
30	831114	Storage Upper Rack
31	831113	Storage Lower Rack
32	830675-1	Diffuser
33	820563-12	* #10 - 1-3/4 Wood Screws
34	SP6625	Owners Manual

* Standard Hardware Item - May Be Purchased Locally.

† These Replacement Parts Are Available Where You Purchased Your Vac.

Repair Parts

RIDGID 5 Gallon STOR N GO Wet/Dry Vac Model Number WD55000



RIDGID®



What is covered

RIDGID® tools are warranted to be free of defects in workmanship and material.

How long coverage lasts

This warranty lasts for the lifetime of the RIDGID® tool. Warranty coverage ends when the product becomes unusable for reasons other than defects in workmanship or material.

How can you get service

To obtain the benefit of this warranty, deliver via prepaid transportation the complete product to RIDGE TOOL COMPANY, Elyria, Ohio, or any authorized RIDGID® INDEPENDENT SERVICE CENTER. Pipe wrenches and other hand tools should be returned to the place of purchase.

What we will do to correct problems

Warranted products will be repaired or replaced, at RIDGE TOOL's option, and returned at no charge; or, if after three attempts to repair or replace during the warranty period the product is still defective, you can elect to receive a full refund of your purchase price.

What is not covered

Failures due to misuse, abuse or normal wear and tear are not covered by this warranty. RIDGE TOOL shall not be responsible for any incidental or consequential damages.

How local law relates to the warranty

Some states do not allow the exclusion or limitation of incidental or consequential damages, so the above limitation or exclusion may not apply to you. This warranty gives you specific rights, and you may also have other rights, which vary, from state to state, province to province, or country to country.

No other express warranty applies

This FULL LIFETIME WARRANTY is the sole and exclusive warranty for RIDGID® products. No employee, agent, dealer, or other person is authorized to alter this warranty or make any other warranty on behalf of the RIDGE TOOL COMPANY.

Stock No. WD5500
Model No. WD55000
Serial Number _____

Model and serial numbers may be found on the handle. You should record both model and serial numbers in a safe place for future use.

QUESTIONS OR COMMENTS? CALL
1-800-4-RIDGID (1-800-474-3443)

www.ridgidvac.com

Please have your Model Number and Serial Number on hand when calling.



EMERSON™
Professional Tools

Emerson Tool Company
A Division Of
Emerson Electric Co.

© 2005 Emerson

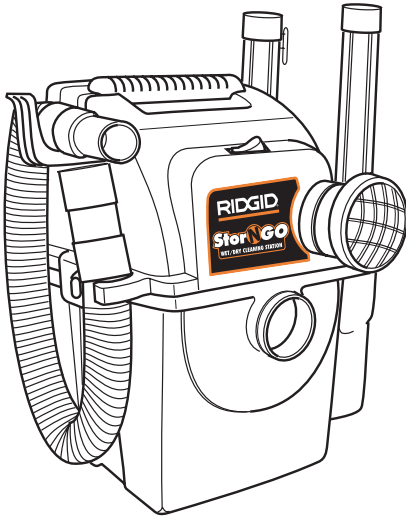
Part No. SP6625

Form No. SP6625

Printed in Canada 08/05

RIDGID®

MANUAL DEL USUARIO



WD55000

**ASPIRADORA PARA
MOJADO/SECO
MONTABLE EN BASTIDOR DE
5 GALONES/4.2 GALONES
CANADIENSES**

**Para su seguridad:
Lea detenidamente todas las instrucciones.
Guarde este manual para referencia futura.**

**SI TIENE PREGUNTAS O DESEA INFORMACIÓN,
CONTÁCTENOS LLAMANDO AL**

**1-800-4-RIDGID (1-800-474-3443) o
CONECTÁNDOSE A www.ridgidvac.com**

MAXIMICE EL RENDIMIENTO DE LA ASPIRADORA CON UN FILTRO NUEVO

**Sorteo
de Tarjetas
de Regalo de
US\$ 500**



Conéctese a ...
www.ridgidvac.com
para hacerse miembro de nuestro
Club de Filtros y/o inscribirse en
nuestro Sorteo de Tarjetas de Regalo
de Home Depot por valor de 500 dólares.



Indice

Sección	Página	Sección	Página
Indice	22	Accesorios	32
Instrucciones de seguridad importantes	22	Almacenamiento de la manguera, los tubos extensores y las herramientas de limpieza	32
Palabras de señal de seguridad	22	Mangueras	33
Guarde estas instrucciones	23	Ensamblaje de la tapa del difusor	33
Introducción	24	Funcionamiento	34
Desempaquetado y comprobación del contenido de la caja de cartón	25	Recogida de materiales secos con la aspiradora	34
Lista del contenido de la caja de cartón	25	Recogida de líquidos con la aspiradora	34
Reemplazo del flotador y la jaula	26	Vaciado del recipiente de la aspiradora	35
Ensamblaje y montaje del bastidor de almacenamiento	27	Dispositivo de soplado	35
Ensamblaje de la aspiradora montable en bastidor	29	Mantenimiento	36
Ensamblaje de la aspiradora	29	Filtro	36
Almacenamiento del cordón en el enrollador	29	Remoción del filtro	36
Receptáculo de almacenamiento de accesorios	29	Limpieza del filtro	36
Almacenamiento de la manguera	29	Limpieza de un filtro seco	36
Suspensión de la aspiradora en el bastidor de almacenamiento	30	Limpieza de un filtro mojado	36
Almacenamiento del cordón	31	Instalación	36
Remoción de la aspiradora del bastidor de almacenamiento	31	Limpieza y desinfección de la aspiradora para mojado/seco	37
		Limpieza de la aspiradora montable en bastidor	37
		Piezas de repuesto	34
		Garantía	36

INSTRUCCIONES DE SEGURIDAD IMPORTANTES

La seguridad es una combinación de sentido común, permanecer alerta y saber cómo funciona la aspiradora. Lea este manual para entender la aspiradora.

Palabras de señal de seguridad

PELIGRO: significa que si no se sigue la información de seguridad, alguien **resultará** herido gravemente o morirá.

ADVERTENCIA: significa que si no se sigue la información de seguridad, alguien **podría** resultar herido gravemente o morir.

PRECAUCION: significa que si no se sigue la información de seguridad, alguien **pudiera** resultar herido.

Al usar la aspiradora para mojado/seco, siga las precauciones básicas de seguridad, incluyendo las siguientes.

ADVERTENCIA - Para reducir el riesgo de incendio, sacudidas eléctricas o lesiones:

Lea y entienda el manual del usuario y todas las etiquetas que están en la aspiradora para mojado/seco antes de usarla. Utilícela únicamente según se describe en este manual. Para reducir el riesgo de lesiones personales o daños a la aspiradora para mojado/seco, utilice únicamente accesorios recomendados por RIDGID.

Las chispas que se producen en el interior del motor pueden incendiar los vapores inflamables o el polvo. Para reducir el riesgo de incendios o explosión:

- No recoja con la aspiradora para mojado/seco líquidos inflamables ni combustibles, gases o polvos explosivos como gasolina u otros combustibles, líquido encendedor, disolventes para limpiar, pinturas a base de aceite, gas natural, hidrógeno, polvo de carbón, polvo de magnesio, polvo de granos o pólvora, ni use la aspiradora cerca de estos materiales.

- No utilice la aspiradora para mojado/seco como un rociador.
 - No recoja con la aspiradora nada que esté ardiendo o humeando, como cigarrillos, fósforos o cenizas calientes.
 - No recoja con la aspiradora polvo de pared de tipo seco ni hollín frío o ceniza fría de chimenea cuando ésta esté equipada con un filtro. Este tipo de polvo es un polvo muy fino que no será capturado por el filtro y podría causar daños.
 - Para reducir el riesgo de que se produzcan peligros para la salud causados por vapores o polvos, no recoja con la aspiradora materiales tóxicos.
 - No use ni almacene la aspiradora cerca de materiales peligrosos.
 - No haga funcionar la aspiradora para mojado/seco desatendida.
 - Para reducir el riesgo de sacudidas eléctricas, no exponga la aspiradora a la lluvia. Guárdela en un lugar interior.
 - No permita que la aspiradora se utilice como juguete. Se necesita prestar máxima atención cuando sea utilizada por niños o cerca de éstos.
 - No use esta aspiradora para mojado/seco con un filtro roto ni sin el filtro instalado, excepto para recoger líquidos según se describe en la sección de funcionamiento de este manual.
 - No abandone la aspiradora para mojado/seco cuando esté enchufada. Desenchúfela del tomacorriente cuando no la esté utilizando y antes de realizar servicio de ajustes y reparaciones. Apague la aspiradora para mojado/seco antes de desenchufarla.
 - Para reducir el riesgo de lesiones debidas a un arranque accidental, desenchufe el cordón de energía antes de cambiar o limpiar el filtro.
 - No desenchufe la aspiradora tirando del cordón. Para desenchufarla, agarre el enchufe y no el cordón.
 - No utilice la aspiradora cuando el cordón, el enchufe u otras piezas estén dañados. Si la aspiradora para mojado/seco no funciona como debe, le faltan piezas, se ha caído, ha sido dañada, se ha dejado al aire libre o se ha caído al agua, devuélvala a un Centro de Servicio autorizado.
 - No tire de la aspiradora usando el cordón ni la lleve por el cordón, ni use el cordón como asa, ni cierre una puerta sobre el cordón, ni tire del cordón alrededor de bordes o esquinas afilados. No pase la aspiradora para mojado/seco sobre el cordón. Mantenga el cordón alejado de las superficies calientes.
 - No maneje el enchufe o la aspiradora para mojado/seco con las manos mojadas.
 - No ponga ningún objeto en las aberturas de ventilación. No recoja nada con la aspiradora cuando cualquiera de las aberturas de ventilación esté bloqueada; manténgalas libres de polvo, pelusa, pelo o cualquier cosa que pueda reducir el flujo de aire.
 - Mantenga el pelo, la ropa holgada, los dedos y todas las partes del cuerpo alejados de las aberturas y de las piezas móviles.
 - Para reducir el riesgo de caídas, tenga cuidado adicional al limpiar en escaleras.
- Cuando utilice la aspiradora como soplador:
- Dirija la descarga de aire solamente hacia el área de trabajo.
 - No dirija el aire hacia las personas que estén presentes.
 - Mantenga a los niños alejados cuando realice operaciones de soplado.
 - No use el soplador para ningún trabajo que no sea soplar suciedad o residuos.
 - No almacene ni apile artículos sobre la aspiradora.
- ADVERTENCIA: Para reducir el riesgo de incendio, no almacene objetos extraños en el compartimiento para accesorios. Almacene únicamente los accesorios de la aspiradora.**
- Esta aspiradora para mojado/seco tiene aislamiento doble, con lo que se elimina la necesidad de un sistema de conexión a tierra aparte. Utilice únicamente piezas de repuesto idénticas. Lea las instrucciones para realizar servicio de ajustes y reparaciones de aspiradoras para mojado/seco con aislamiento doble antes de realizar dicho servicio.
- Siga las siguientes advertencias que aparecen en la caja del motor de la aspiradora para mojado/seco.
- AI SLAM IEN TO DOBLE.**
NO SE REQUIERE CONEXION A TIERRA.
CUANDO HAGA SERVICIO DE REVISIÓN DE LA ASPIRADORA, UTILICE ÚNICAMENTE PIEZAS DE REPUESTO IDÉNTICAS.
- ADVERTENCIA: Para reducir el riesgo de sacudidas eléctricas, no exponga la aspiradora a la lluvia y guárdela en interiores.**
- ADVERTENCIA: Para su propia seguridad, lea y entienda el manual del usuario. No haga funcionar la aspiradora desatendida. No recoja cenizas calientes, brasas, materiales tóxicos, materiales inflamables ni otros materiales peligrosos. No use la aspiradora alrededor de líquidos ni vapores explosivos.**

GUARDE ESTAS INSTRUCCIONES

La utilización de cualquier aspiradora o soplador puede hacer que se soplen objetos extraños hacia los ojos, lo cual puede causar daños graves en los ojos. Use siempre anteojos de seguridad que cumplan con la norma ANSI Z87.1 (o en Canadá, con la norma CSA Z94.3) mostrados en el paquete. Las gafas corrientes sólo tienen lentes resistentes a los golpes. No son gafas de seguridad. Se pueden conseguir anteojos de seguridad en muchas de las tiendas minoristas locales. Las gafas o los anteojos que no cumplan con la norma ANSI o CSA podrían causarle lesiones graves al romperse.

Para reducir el riesgo de daños a la audición, use protectores de oídos cuando utilice la aspiradora durante muchas horas seguidas o cuando la emplee en un área ruidosa.



Para operaciones que generan polvo, use una máscara antipolvo.

Utilice únicamente cordones de extensión que estén clasificados para uso a la intemperie. Los cordones de extensión que estén en malas condiciones o cuyo tamaño de alambre sea demasiado pequeño pueden conllevar peligros de incendio y sacudidas eléctricas. Cuando utilice un cordón de extensión, asegúrese de que esté en buenas condiciones. La utilización de cualquier cordón de extensión causará algo de pérdida de potencia. Para mantener la pérdida al mínimo, utilice la tabla que aparece a continuación para seleccionar el cordón de extensión con el tamaño de cable mínimo.

Longitud del cordón de extensión	Calibre del cable (A.W.G.)
0-50 pies	14
50-100 pies	12

Introducción

Esta aspiradora montable en bastidor está diseñada únicamente para uso doméstico. Se puede usar para operaciones de recogida ligera de materiales mojados o secos y se puede usar como soplador. El diseño liviano permite utilizarla para la mayoría de tareas de aspiración domésticas. Familiarícese con el producto descrito a continuación y sus características, y lea todo el manual del usuario para obtener información sobre el uso específico de su nueva aspiradora para mojado/seco.

NOTA IMPORTANTE

Por favor, léala cuidadosamente

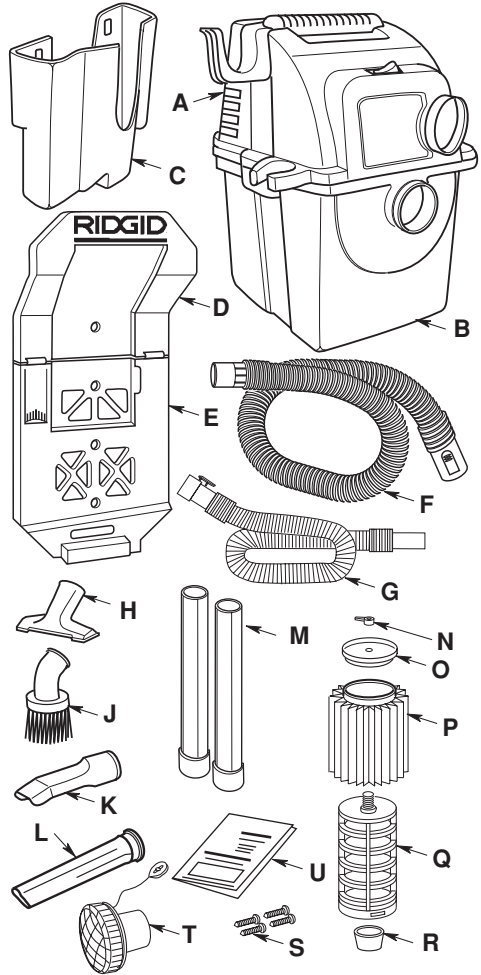
Las sacudidas de electricidad estática son comunes en áreas secas o cuando la humedad relativa del aire es baja. Para reducir la frecuencia con que se producen sacudidas de electricidad estática en su hogar, el mejor remedio es añadir humedad al aire con un humidificador.

Desempaqueado y comprobación del contenido de la caja de cartón

Saque todo el contenido de la caja de cartón. Asegúrese de que no falte ningún artículo utilizando la lista del contenido de la caja. Llame al 1-800-4-RIDGID (1-800-474-3443) o comuníquese con nosotros por correo electrónico a info@ridgidvac.com si alguna pieza está dañada o falta.

Lista del contenido de la caja de cartón

Clave	Descripción	Cant.
A	Ensamblaje del motor de la aspiradora.....	1
B	Recipiente de la aspiradora.....	1
C	Receptáculo de almacenamiento de accesorios.....	1
D†	Bastidor superior de almacenamiento.....	1
E†	Bastidor inferior de almacenamiento.....	1
F	Ensamblaje de la manguera arrastrable con la aspiradora de 14 pies.....	1
G	Ensamblaje de la manguera Super Flex de 7 pies.....	1
H	Boquilla de uso general.....	1
J	Cepillo para polvo.....	1
K	Boquilla para auto.....	1
L	Boquilla rinconera.....	1
M	Tubos extensores.....	2
N*	Tuerca del filtro.....	1
O*	Placa del filtro.....	1
P*	Filtro.....	1
Q*	Jaula del filtro.....	1
R*	Flotador.....	1
S	Tornillos para madera No. 10 x 1-3/4.....	4
T	Difusor.....	1
U	Manual del usuario.....	1



† Cuando el bastidor de almacenamiento esté ensamblado, sostendrá un peso máximo de 40 libras.

* Estos artículos pueden venir preensamblados. Si no están presentes en la caja de cartón, compruebe el cabezal del motor de la aspiradora para averiguar si están preensamblados.

Reemplazo del flotador y la jaula

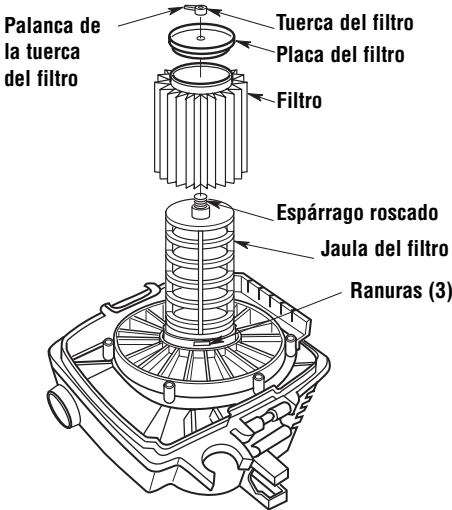
ADVERTENCIA: Para su propia seguridad, nunca conecte el enchufe al tomacorriente de la fuente de energía hasta que haya completado todos los pasos de ensamblaje y haya leído y entendido las instrucciones de seguridad y utilización. No utilice la aspiradora si alguna de sus piezas está dañada o falta.

ADVERTENCIA: Para evitar lesiones personales o daños a la aspiradora, asegúrese de mantener las manos, los dedos o cualquier otro objeto extraño fuera de la abertura central cuando ensamble el flotador.

1. Deslice cuidadosamente el filtro sobre la jaula del filtro, deslizándolo sobre el anillo central que cubre las 3 ranuras hasta que el filtro se detenga contra la tapa.
2. Coloque el agujero de la placa del filtro sobre el espárrago roscado de la jaula del filtro.
3. Empuje suavemente sobre la placa del filtro para asentar el anillo de goma del filtro dentro del canal circular de la placa del filtro.
4. Coloque la tuerca del filtro en el espárrago roscado y apriétela hacia abajo. Apriétela solamente con los dedos.

NOTA: La palanca de la tuerca del filtro debe estar alejada de la placa, de la manera que se muestra en la ilustración.

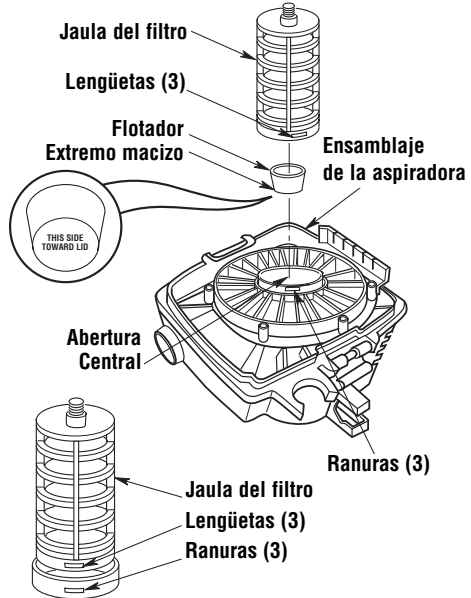
IMPORTANTE: No apriete excesivamente la tuerca, ya que esto podría deformar o agrietar la placa del filtro, la jaula del filtro o el filtro.



Ensamblaje de la jaula del filtro

NOTA: Si es necesario quitar o reemplazar la jaula o el flotador, use un destornillador de hoja plana e introduzca la hoja cerca de una de las lengüetas entre la jaula del filtro y la abertura central de la tapa. Haga palanca en la lengüeta hasta sacarla de la ranura. Incline la jaula y levántela alejándola de la tapa. Reinstale o reemplace la jaula del filtro de la manera siguiente:

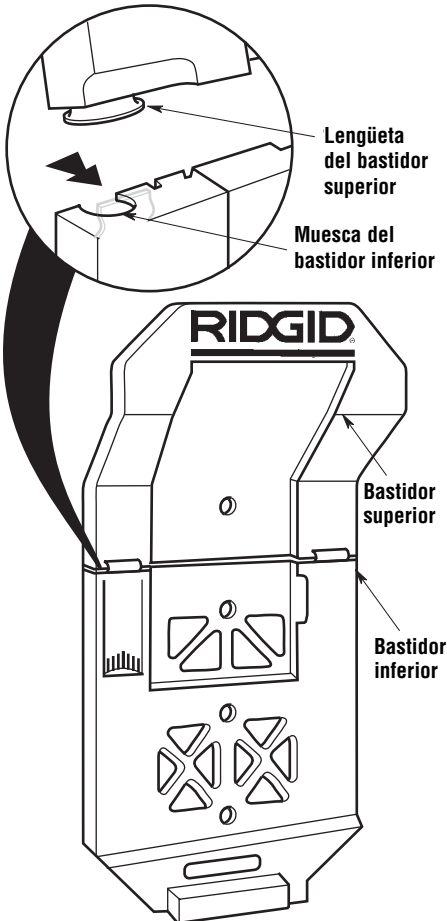
1. Coloque el flotador sobre la abertura que está en el centro de la tapa con las palabras "Este lado hacia la tapa" orientadas hacia abajo sobre el agujero.
2. Alinee las lengüetas de la jaula del filtro con las ranuras de la abertura central de la tapa.
3. Empuje sobre la jaula del filtro hasta que las lengüetas se acoplen a presión en las ranuras para lograr un encaje seguro.



Ensamblaje y montaje del bastidor de almacenamiento —

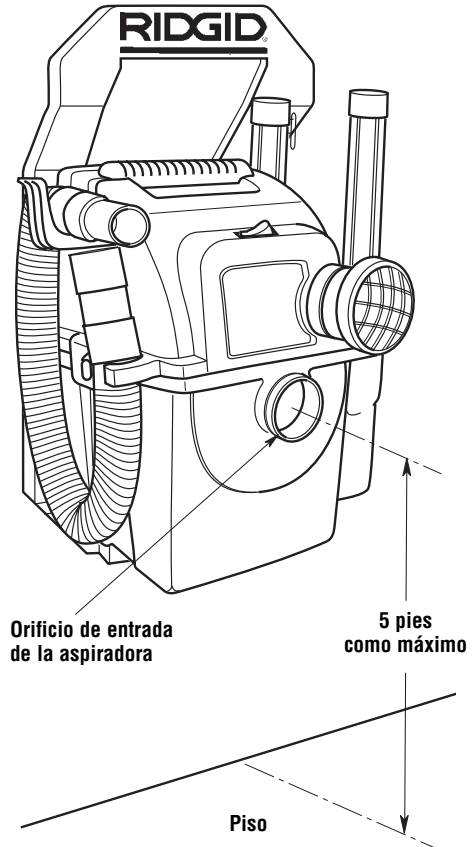
Ensamblaje del bastidor superior e inferior

Alinee las lengüetas del bastidor superior con las muescas del bastidor inferior. Deslice el bastidor superior hacia delante hasta que los ganchos del bastidor inferior se acoplen en la pestaña inferior del bastidor superior. Usted oír un chasquido audible cuando los cierres se acoplen.



Montaje del bastidor de almacenamiento en la pared

- No monte el bastidor a más de 5 pies de altura sobre el piso.
 - No sujete los tornillos a pared de tipo seco solamente. Asegúrese de que los tornillos estén sujetos a un poste de la pared.
 - No se sienta en el bastidor de almacenamiento ni se cuelgue de él.
 - No exceda el límite de peso máximo de 40 libras.
1. Elija una ubicación que esté en un lugar interior y no esté expuesta a la lluvia. Para obtener el mejor rendimiento y un acceso fácil, posicione el bastidor de almacenamiento de modo que el centro del orificio de entrada de la aspiradora no esté a más de cinco pies de altura sobre el piso y no esté a más de 18 pies de un tomacorriente.

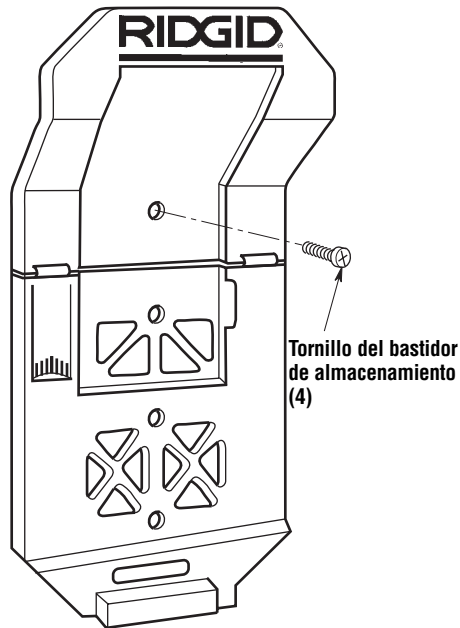


Ensamblaje y montaje del bastidor de almacenamiento (continuación)

- Localice el poste de pared y posicione el bastidor de almacenamiento de modo que los cuatro agujeros para tornillo estén sobre el poste. Nivele el bastidor y marque las ubicaciones de los agujeros. Taladre un agujero piloto de 1/8 de pulgada de diámetro en cada ubicación. Sujete el bastidor de almacenamiento a los postes de pared utilizando los cuatro tornillos suministrados. Asegúrese de que los cuatro tornillos estén apretados firmemente en el poste de la pared.
- Si la ubicación deseada no se alinea con un poste de pared o si los postes de pared están al descubierto, se debe sujetar a los postes un panel de madera contrachapada de 1/2 pulgada de grosor, lo suficientemente ancho como para abarcar al menos dos postes, con los cuatro tornillos suministrados. El bastidor de almacenamiento se puede sujetar entonces al panel de madera contrachapada con cuatro tornillos para madera de cabeza troncocónica o redonda de 1 pulgada No. 10 (no suministrados).

NOTA: Los tornillos para madera suministrados están diseñados para el montaje en construcción de pared típica que consiste en pared de tipo seco de 5/8 de pulgada o menos.

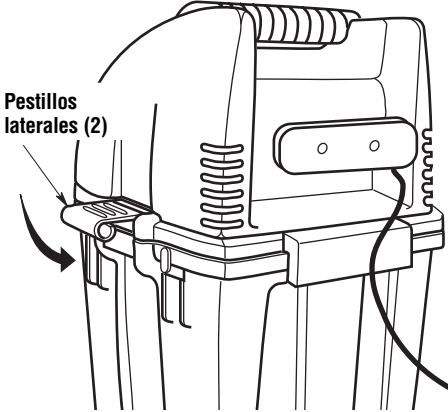
PRECAUCIÓN: Para evitar que la madera contrachapada, el bastidor de almacenamiento o la aspiradora para mojado/seco se caigan, asegúrese de haber seleccionado el elemento de sujeción de longitud apropiada para montar el bastidor de modo seguro en la pared.



Ensamblaje de la aspiradora montable en bastidor

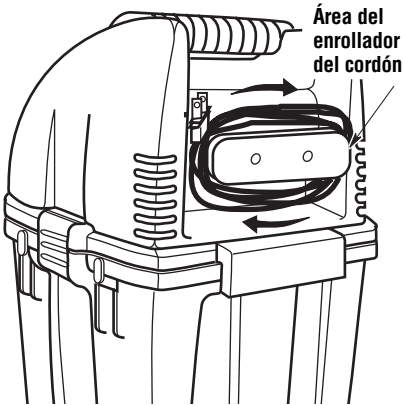
Ensamblaje de la aspiradora

Coloque el ensamblaje del motor de la aspiradora sobre el ensamblaje del recipiente de la aspiradora y sujételo firmemente con los dos pestillos laterales.



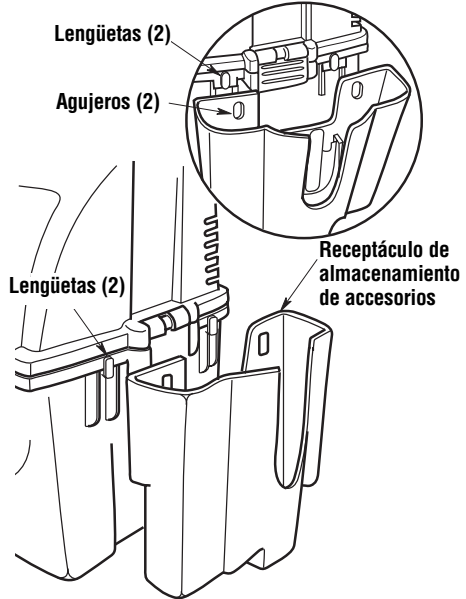
Almacenamiento del cordón en el enrollador

Enrolle el cordón eléctrico en el sentido de las agujas del reloj (desde la parte trasera) alrededor del área del enrollador del cordón, en la parte trasera del ensamblaje del motor de la aspiradora.



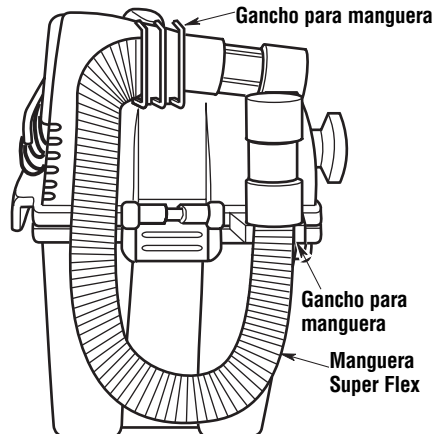
Receptáculo de almacenamiento de accesorios

Instale el receptáculo de almacenamiento de accesorios en el ensamblaje de la aspiradora, introduciendo las lengüetas del recipiente de la aspiradora a través de los agujeros del receptáculo de almacenamiento de accesorios y bajando dicho receptáculo hasta ubicarlo en su sitio.



Almacenamiento de la manguera

Deslice cada extremo de la manguera Super Flex al interior de los ganchos para manguera apropiados que están ubicados en el ensamblaje del motor de la aspiradora.

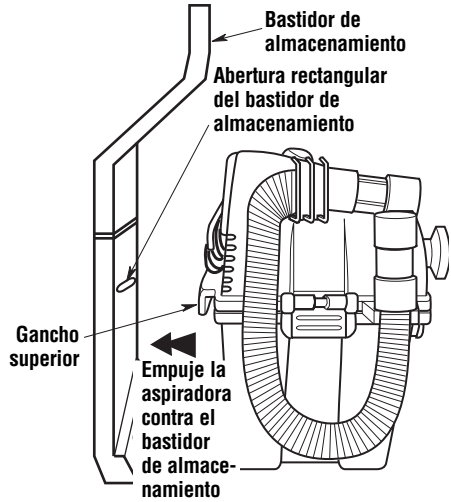
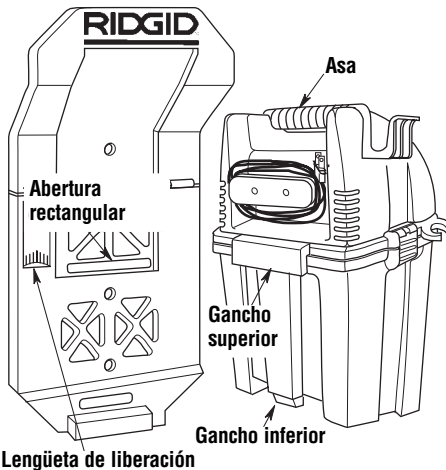


Suspensión de la aspiradora en el bastidor de almacenamiento—

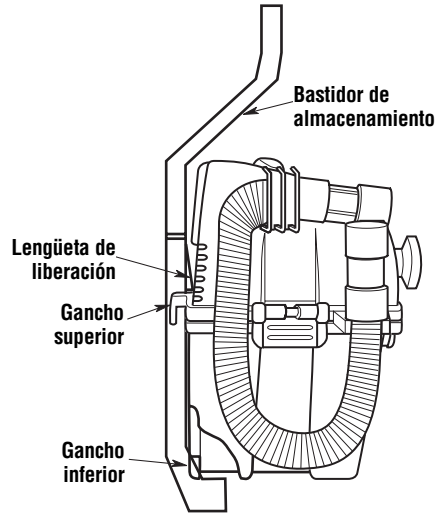
1. Ponga la aspiradora en el piso, cerca del bastidor de almacenamiento. Mida la distancia desde el centro del bastidor de almacenamiento hasta el tomacorriente más cercano y añada 18 pulgadas.



2. Desenrolle esa longitud del cordón de energía ubicado en el enrollador del cordón. Deje colgar el cordón suelto sobre la parte de arriba de la aspiradora y hacia abajo por la parte delantera.
3. Agarre el asa con una mano y la parte inferior del recipiente de la aspiradora por la parte delantera con la otra mano. Levante siempre la aspiradora con las dos manos. Levante la aspiradora hasta el bastidor de almacenamiento.
4. Alinee el gancho superior de la aspiradora con la abertura rectangular del bastidor de almacenamiento. Empuje la aspiradora contra el bastidor de almacenamiento.



5. Baje la aspiradora hasta que el gancho superior y el gancho inferior estén acoplados y la parte inferior del recipiente de la aspiradora descanse sobre el bastidor. La lengüeta de liberación emergerá por encima de la pestaña del ensamblaje del motor.



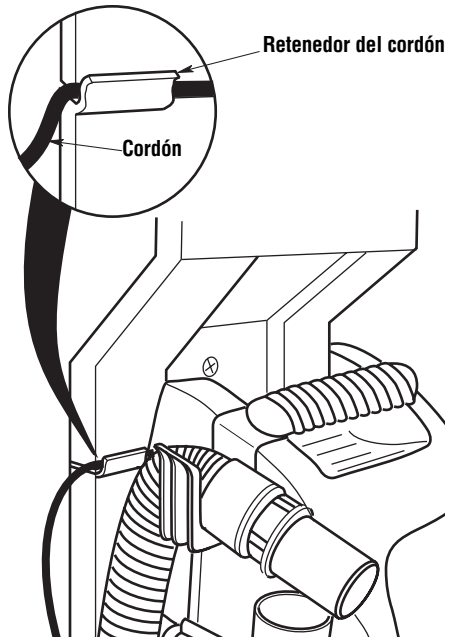
6. Acople a presión el cordón de energía en el retenedor del cordón ubicado en la superficie delantera del bastidor. El cordón puede salir tanto por el lado izquierdo como por el lado derecho. Enchufe el cordón de energía en el tomacorriente. No fije el cordón de energía en la pared con elementos de sujeción de ninguna manera.

Almacenamiento del cordón

Cuando la aspiradora para mojado/seco montable en bastidor no esté en uso, se debe desenchufar del tomacorriente. El exceso de cordón se debe enrollar sobre el bastidor de almacenamiento de la manguera. Es posible que se requieran varios bucles para eliminar todos los peligros de tropezar creados por un cordón que cuelgue suelto.

Remoción de la aspiradora del bastidor de almacenamiento

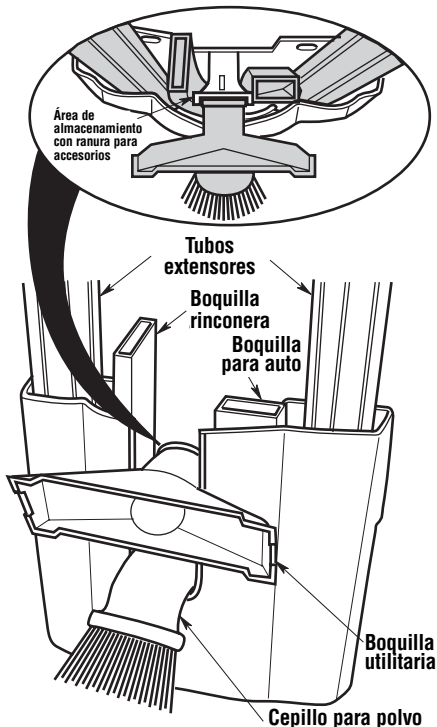
1. Desenchufe el cordón de energía del tomacorriente. Quite el cordón del retenedor del cordón. Deje colgar el cordón suelto sobre la parte de arriba de la aspiradora.
2. Con la mano derecha, agarre el asa de transporte.
3. Con la mano izquierda, oprima la lengüeta de liberación ubicada en el lado izquierdo del bastidor de almacenamiento.
4. Jale del asa hacia arriba y tire de la aspiradora hacia arriba y hacia fuera del bastidor de almacenamiento.



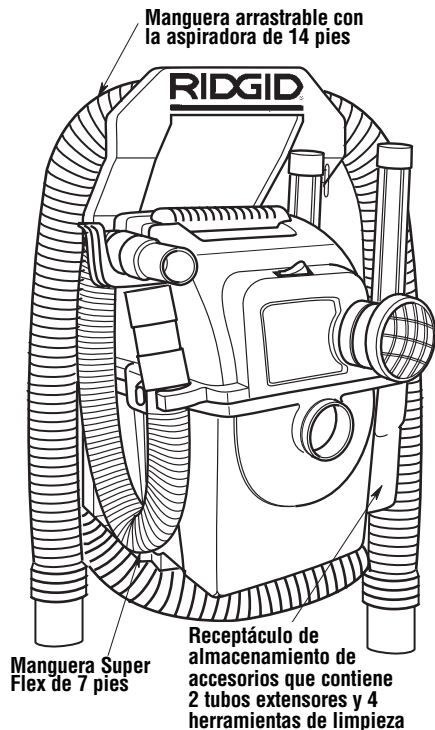
Accesorios

Almacenamiento de la manguera, los tubos extensores y las herramientas de limpieza

1. Deslice los tubos extensores al interior de los lados extremos del receptáculo de almacenamiento de accesorios ubicado en el lado derecho de la aspiradora montable en bastidor. Deslice la boquilla para auto y la boquilla rinconera junto a los tubos extensores, al interior del receptáculo de almacenamiento. Ponga el cepillo para polvo en posición horizontal y deslícelo al interior de la ranura para accesorios ubicada en el receptáculo de almacenamiento. Es necesario colocar primero el cepillo para polvo dentro de la ranura para accesorios, ya que la boquilla utilitaria no cabrá en esta posición. Por último, coloque la boquilla utilitaria al ras contra el área de almacenamiento con ranura para accesorios y deslícela hacia abajo hasta la posición de almacenamiento. El receptáculo de almacenamiento acomoda tanto los tubos extensores como las cuatro herramientas de limpieza.



2. Introduzca los extremos de la manguera Super Flex de 7 pies en los ganchos ubicados en el lado izquierdo de la aspiradora montable en bastidor, de la manera que se muestra más abajo.
3. Forme un bucle doble con la manguera arrastrable con la aspiradora de 14 pies y cuelgue la manguera en el gancho de almacenamiento de la manguera ubicado en la parte de arriba del bastidor.

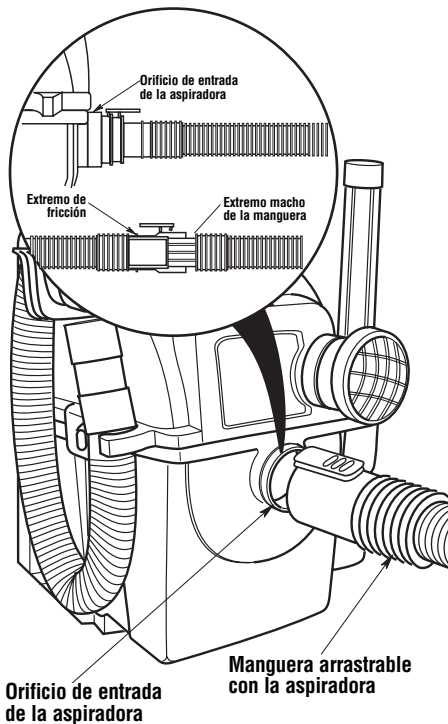


Mangueras (arrastrable con la aspiradora de 14 pies y Super Flex de 7 pies)

La manguera arrastrable con la aspiradora de 14 pies y la manguera Super Flex de 7 pies tienen un adaptador que se puede usar para conectar la manguera al orificio de la aspiradora o al extremo macho de otra manguera. Las mangueras de 7 pies y de 14 pies se pueden utilizar tanto conectadas una a otra como independientemente una de otra.

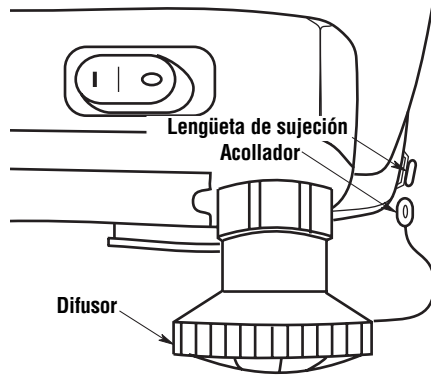
Las mangueras tanto de 7 pies como de 14 pies tienen un adaptador de fijación en un extremo, que se conectará a la aspiradora, y un ajuste por fricción en el otro extremo, que se conectará a todos los accesorios de 1-7/8 pulgadas o a una segunda manguera.

Para conectar estas dos mangueras una a otra, conecte primero la manguera de 14 pies a la aspiradora para mojado/seco. Luego, conecte la manguera de 7 pies a la manguera de 14 pies introduciendo el extremo de fricción de la manguera más larga en el extremo de fijación más grande de la manguera más corta. Esto creará una conexión por fricción.



Ensamblaje de la tapa del difusor

Conecte el acollador a la lengüeta de sujeción ubicada en el ensamblaje del motor de la aspiradora, para mantener el difusor sujeto a la aspiradora cuando se utilice el orificio de soplado. La tapa del difusor se puede utilizar en el orificio de escape de la aspiradora para mojado/seco. La instalación de la tapa del difusor le permitirá disipar el aire de escape en cualquier dirección y reducir la intensidad de la fuerza de escape.



Funcionamiento

ADVERTENCIA

Para reducir el riesgo de incendio o explosión, no utilice esta aspiradora en áreas en las que haya gases o vapores inflamables, ni polvo explosivo en el aire. Los gases o vapores inflamables incluyen pero no están limitados a: líquido encendedor, limpiadores tipo disolvente, pinturas a base de aceite, gasolina, alcohol o rociadoras de aerosol. Los polvos explosivos incluyen pero no están limitados a: carbón, magnesio, grano de cereal o pólvora. No recoja con la aspiradora polvo explosivo, líquidos inflamables o combustibles, ni cenizas calientes. No utilice esta aspiradora como rociador. A fin de reducir el riesgo de peligros para la salud debidos a vapores o polvos, no recoja con la aspiradora materiales tóxicos.

ADVERTENCIA: El funcionamiento de cualquier aspiradora de uso general puede tener como resultado que salgan proyectados hacia los ojos objetos extraños, lo cual puede producir daños graves en los ojos. Use siempre anteojos de seguridad que cumplan con la norma ANSI Z87.1 (o en Canadá, con la norma CSA Z94.3) mostrados en el paquete antes de comenzar el funcionamiento. Los anteojos de seguridad se encuentran disponibles en muchas tiendas minoristas locales.

PRECAUCION: Para reducir el riesgo de daños a la audición, use protectores de oídos al utilizar la aspiradora durante muchas horas seguidas o al emplearla en un área ruidosa.

Para reducir el riesgo de sacudidas eléctricas, este aparato electrodoméstico tiene un enchufe polarizado (una hoja es más ancha que la otra). Este enchufe entrará en un tomacorriente polarizado solamente de una manera. Si el enchufe no entra por completo en el tomacorriente, déle la vuelta. Si sigue sin entrar, póngase en contacto con un electricista competente para instalar el tomacorriente adecuado. No haga ningún tipo de cambio en el enchufe.

Después de enchufar el cordón de energía en el tomacorriente, encienda la unidad empujando el interruptor de la posición "O" a la posición "I". Los símbolos utilizados en la cubierta del motor son los símbolos internacionales de "encendido y apagado". "O" es el símbolo de "APAGADO" y "I" es el símbolo de "ENCENDIDO".

○ = APAGADO | = ENCENDIDO

Recogida de materiales secos con la aspiradora

1. El filtro debe estar siempre en posición correcta para reducir el riesgo de fugas y posibles daños a la aspiradora.
2. Cuando utilice la aspiradora para recoger polvo muy fino, será necesario que vacíe el recipiente de la aspiradora y que limpie el filtro a intervalos más frecuentes para mantener el rendimiento máximo de la aspiradora.

NOTA: Se necesita un filtro seco para recoger material seco. Si utiliza la aspiradora para recoger material cuando el filtro está mojado, éste se atascará rápidamente y será muy difícil limpiarlo.

3. Si el filtro está mojado pero necesita usar la aspiradora para recoger material seco, puede secar el filtro rápidamente haciendo funcionar la aspiradora sin tener la manguera colocada durante unos 10 minutos. El aire limpio que penetrará rápidamente en la aspiradora ayudará a secar el filtro.

El filtro opcional RIDGID para materiales con calificación HEPA, número de existencias VF5000, hará un mejor trabajo a la hora de atrapar las partículas muy finas que el filtro VF4000.

Recogida de líquidos con la aspiradora

1. Al recoger pequeñas cantidades de líquido se podrá dejar puesto el filtro.
2. Al recoger grandes cantidades de líquido, recomendamos quitar el filtro. Si no se quita el filtro, éste se saturará y podrá aparecer niebla en el escape.

PRECAUCION: No quite la jaula del filtro ni el flotador. Están en la aspiradora para interrumpir el flujo de aire cuando el tambor está lleno de líquidos.

3. Cuando recoja cantidades grandes de líquido, se recomienda retirar la aspiradora del bastidor de almacenamiento y ponerla en el piso. Cuando la aspiradora esté llena de agua, pesará aproximadamente 40 libras y podría ser difícil retirarla del bastidor de almacenamiento. Vacíe siempre la aspiradora y seque siempre el filtro inmediatamente después de recoger líquidos.
4. Después de usar la aspiradora para recoger líquidos, se debe secar el filtro para evitar posible moho y daños al filtro.
5. Cuando el líquido que se encuentre en el tambor alcance un nivel predeterminado, el mecanismo del flotador subirá automáticamente para cortar el flujo de aire. Cuando esto suceda, apague la aspiradora, desenchufe el cordón de energía y vacíe el recipiente de la aspiradora. Sabrá que el flotador ha subido porque el flujo de aire de la aspiradora cesará y el tono del ruido del motor subirá debido a que se producirá un aumento de la velocidad del mismo.

IMPORTANTE: Para reducir el riesgo de daños a la aspiradora, no tenga en marcha el motor con el flotador en la posición elevada.

Vaciado del recipiente de la aspiradora

ADVERTENCIA: Para reducir el riesgo de lesiones debidas a un arranque accidental, desenchufe el cordón de energía antes de vaciar el recipiente de la aspiradora.

1. Con la aspiradora retirada del bastidor de almacenamiento (consulte la sección Remoción de la aspiradora del bastidor de almacenamiento), quite el ensamblaje del motor de la aspiradora del ensamblaje del recipiente de la aspiradora.
2. Ponga el ensamblaje del motor de la aspiradora en posición invertida en un área limpia mientras vacía el recipiente de la aspiradora.
3. Vierta el contenido del recipiente de la aspiradora en el recipiente de eliminación de residuos apropiado.

ADVERTENCIA: Para reducir el riesgo de que se produzcan lesiones en la espalda o caídas, no levante la aspiradora si pesa demasiado debido a que contiene líquido o residuos. Saque o haga salir una cantidad suficiente del contenido para hacer que la aspiradora sea suficientemente liviana como para poder levantarla cómodamente.

Dispositivo de soplado

La aspiradora para mojado/seco tiene capacidad para utilizarse como soplador con el fin de realizar trabajo de jardín, limpieza de patios y aplicaciones de taller para soplar aserrín y otros residuos.

ADVERTENCIA: Use siempre anteojos de seguridad que cumplan con la norma ANSI Z87.1 (o en Canadá, con la norma CSA Z94.3) antes de utilizar la aspiradora como soplador.

ADVERTENCIA: Use una máscara antipolvo si el soplado genera polvo que podría ser inhalado.

ADVERTENCIA: Para reducir el riesgo de lesiones a las personas que estén presentes, manténgalas alejadas de los residuos soplados.

PRECAUCIÓN: Para reducir el riesgo de daños a la audición, use protectores de oídos cuando utilice la aspiradora/soplador durante muchas horas seguidas o cuando la utilice en un área ruidosa.

1. Localice el orificio de soplado de la aspiradora.
2. Introduzca el extremo arrastrable con la aspiradora de la manguera en el orificio de soplado de la aspiradora.
3. (Opcional) Acople un tubo extensor al extremo giratorio de la manguera y luego coloque la boquilla para auto en el tubo extensor.
4. Encienda la aspiradora y estará listo para usarla como soplador.

Mantenimiento

Filtro

ADVERTENCIA: Para reducir el riesgo de lesiones debidas a un arranque accidental, desenchufe el cordón de energía antes de cambiar o limpiar el filtro.

NOTA: Este filtro está hecho de papel de alta calidad diseñado para detener partículas de polvo muy pequeñas. El filtro se puede usar para recoger material seco o de líquido. Maneje el filtro cuidadosamente al quitarlo para limpiarlo o al instalarlo. Es posible que se produzcan arrugas en los pliegues del filtro, pero dichas arrugas no afectarán el funcionamiento del filtro.

Remoción del filtro

Para quitar el filtro con el fin de limpiarlo o reemplazarlo, desenrosque la tuerca del filtro de la jaula del filtro, quite la placa del filtro y levante el filtro hasta quitarlo.

ADVERTENCIA: No quite la jaula del filtro. Está ahí para ayudar a evitar que los dedos del operador se metan en la rueda del soplador.

IMPORTANTE: Para reducir el riesgo de daños a la rueda del soplador y al motor, reinstale siempre el filtro antes de usar la aspiradora para recoger material seco.

Limpieza del filtro

El filtro se debe limpiar a menudo para mantener un rendimiento óptimo de la aspiradora.

Asegúrese de secar el filtro antes de guardar la aspiradora o de recoger residuos secos.

IMPORTANTE: Después de limpiar el filtro, compruebe si éste tiene desgarraduras o agujeros pequeños. No use un filtro que tenga agujeros o desgarraduras. Incluso un agujero pequeño puede hacer que se salga mucho polvo de la aspiradora. Cámbielo inmediatamente.

Limpieza de un filtro seco

Se puede lograr recoger una pequeña cantidad de residuos secos sin quitar el filtro de la aspiradora. Dé una palmada con la mano en la parte de arriba del ensamblaje del cabezal del motor mientras la aspiradora está apagada y retírela del bastidor de almacenamiento.

Para obtener los mejores resultados de limpieza, debido a la acumulación de polvo, limpie el filtro en un área abierta. La limpieza SE DEBE realizar al aire libre y no en el interior de la vivienda.

Después de quitar el filtro de la aspiradora, quite los residuos secos golpeando suavemente el filtro contra la pared interior del recipiente de la aspiradora. Los residuos se soltarán y caerán.

Para limpiar a fondo el filtro seco con polvo fino (sin residuos), pase agua a través de él, tal como se describe en la sección "Limpieza de un filtro mojado".

Limpieza de un filtro mojado

Después de quitar el filtro, haga pasar agua por él, procedente de una manguera o una espita. Tenga cuidado de que la presión del agua procedente de la manguera no sea lo suficientemente fuerte como para dañar el filtro. Recuerde: Para secar rápidamente un filtro, reinstale el filtro en la aspiradora y deje que la unidad funcione durante aproximadamente 10 minutos. El aire limpio que atravesará el filtro hará que éste se seque.

Instalación

Consulte la sección "Ensamblaje de un filtro de reemplazo" de este manual.

Deje que el filtro se seque antes de almacenar la aspiradora.

Limpieza y desinfección de la aspiradora para mojado/seco

Para mantener el mejor aspecto posible de la aspiradora para mojado/seco, limpie su exterior con un paño humedecido con agua templada y un jabón suave.

Para limpiar el tambor:

1. Vacíe de residuos el tambor.
2. Lave a fondo el tambor con agua templada y un jabón suave.
3. Limpie el tambor con un paño seco.

Antes de un almacenamiento prolongado o según sea necesario (por ejemplo, si se recogen aguas residuales), se debe desinfectar el tambor.

Para desinfectar el tambor:

1. Eche 1 galón de agua y 1 cucharadita de blanqueador de cloro en el tambor.
2. Deje que la solución repose durante 20 minutos y agítela cuidadosamente cada pocos minutos, asegurándose de mojar todas las superficies interiores del tambor.
3. Vacíe el tambor después de 20 minutos. Enjuáguelo con agua hasta que el olor a blanqueador desaparezca. Deje que el tambor se seque completamente antes de sellar el motor sobre el tambor.

Limpieza de la aspiradora montable en bastidor

Para mantener la aspiradora para mojado/seco montable en bastidor con el mejor aspecto posible, limpie el exterior con un paño humedecido con agua templada y un jabón suave.

Para limpiar el recipiente de la aspiradora:

1. Vierta los residuos contenidos en el recipiente.
2. Lave a fondo el recipiente de la aspiradora con agua templada y un jabón suave.
3. Limpie el recipiente con un paño seco.

ADVERTENCIA: Para garantizar la SEGURIDAD y CONFIABILIDAD del producto, las reparaciones y los ajustes deben realizarse en los Centros de Servicio autorizados, usando siempre piezas de repuesto RIDGID.

Piezas de repuesto


Aspiradora RIDGID para mojado/seco MONTABLE EN BASTIDOR de 5 galones Número de modelo WD55000

Las piezas RIDGID se encuentran disponibles en línea conectándose a www.ridgidparts.com

Pida siempre por número de pieza —no por número de clave

ADVERTENCIA

SERVICIO DE AJUSTES Y REPARACIONES DE UNA ASPIRADORA PARA MOJADO/SECO CON AISLAMIENTO DOBLE

En una aspiradora para mojado/seco con aislamiento doble se proporcionan dos sistemas de aislamiento en vez de conexión a tierra. No se proporciona ningún medio de conexión a tierra en un aparato electrodoméstico con aislamiento doble, ni se debe añadir a éste ningún medio de conexión a tierra. El servicio de ajustes y reparaciones de una aspiradora para mojado/seco con aislamiento doble requiere extremado cuidado y conocimiento del sistema, y debe ser realizado únicamente por personal de servicio competente. Las piezas de repuesto para la aspiradora para mojado/seco con aislamiento doble deben ser idénticas a las piezas que reemplazan. La aspiradora para mojado/seco con aislamiento doble está marcada con las palabras "DOUBLE INSULATED" (con aislamiento doble) y puede que el símbolo  (un cuadrado dentro de un cuadrado) también esté marcado en los aparatos.

Para reducir el riesgo de lesiones por causa de descargas eléctricas, desenchufe el cordón de energía antes de hacer servicio de ajustes y reparaciones a las piezas eléctricas de la aspiradora para mojado/seco.

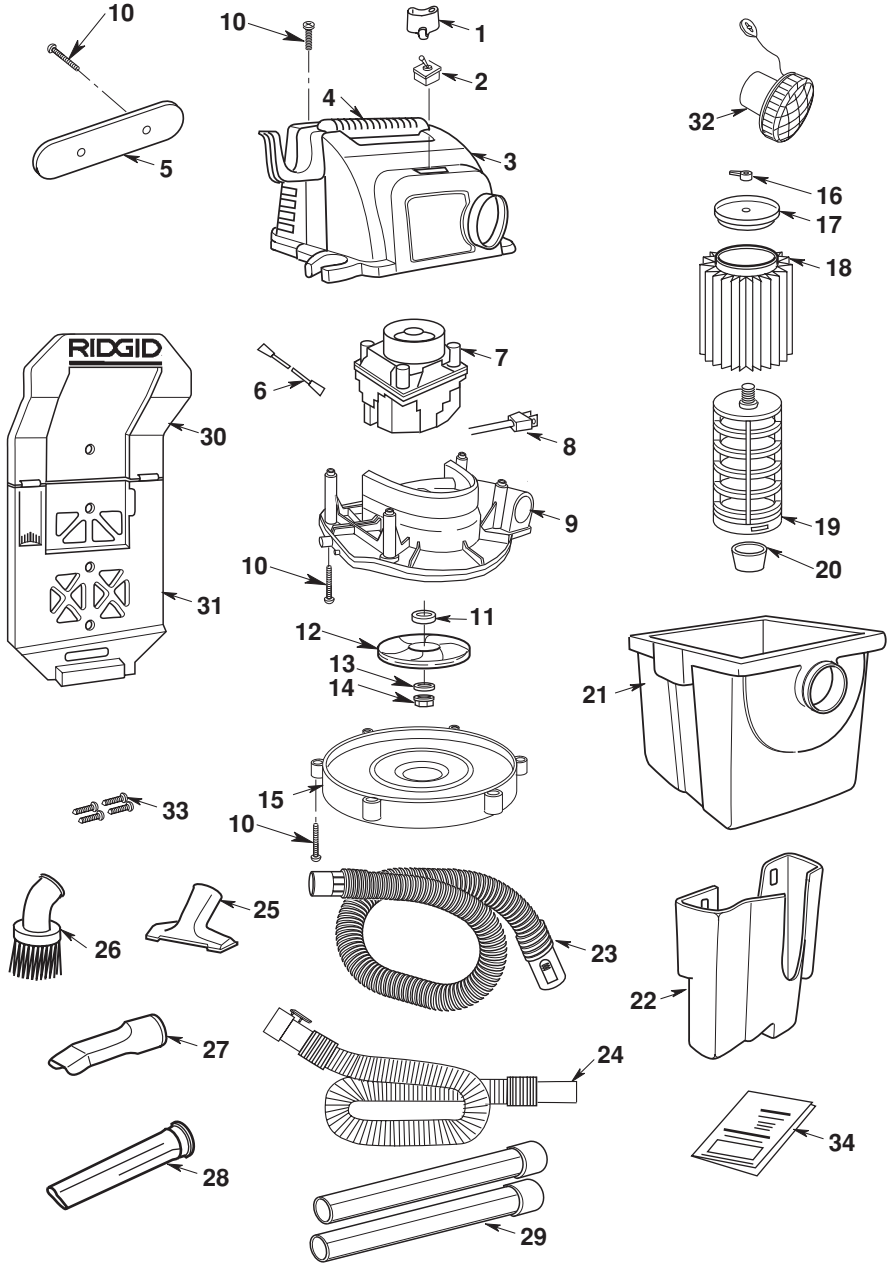
No. de clave	No. de pieza	Descripción
1	830564	Accionador del interruptor
2	813213	Interruptor de palanca
3	829971-33	Tapa del motor (incluye las claves 1, 2, 4, 5, y 8)
4	831111	Asa de tracción
5	830666-1	Retenedor del cordón
6	819260-5	Ensamblaje de hilos conductores
7	509776-19	Ensamblaje del motor (incluye las claves 6, 11, 12, 13 y 14)
8	829719-8	Cordón con terminales
9	829971-34	Ensamblaje de la tapa
10	820563-4	* Tornillo de cabeza troncocónica tipo "AB" 10 x 3/4
11	818961	Separador
12	818413-3	Rueda del soplador
13	315534-1	Arandela
14	826817	Tuerca con pestaña hexagonal de 5/16-18
15	831032	Colector
16	73316	Tuerca del filtro
17	73317	Placa del filtro
18	VF4000	† Filtro
19	823201-1	Jaula del filtro
20	509488	Flotador
21	829971-35	Recipiente de la aspiradora
22	831115	Receptáculo de almacenamiento de accesorios
23	830673	Manguera arrastrable con la aspiradora de 14 pies
24	831327	Manguera Super Flex de 7 pies
25	VT1789	† Boquilla de uso general
26	VT1785	† Cepillo para polvo
27	VT1781	† Boquilla para auto
28	VT1786	† Boquilla rinconera
29	VT1787	† Tubos extensores
30	831114	Bastidor superior de almacenamiento
31	831113	Bastidor inferior de almacenamiento
32	830675-1	Difusor
33	820563-12	* Tornillos para madera No. 10 de 1-3/4
34	SP6625	Manual del usuario

* Artículo de herrajes estándar. Se puede comprar localmente.

† Estas piezas de repuesto se encuentran disponibles en el establecimiento donde compró la aspiradora.

Piezas de repuesto

Aspiradora RIDGID para mojado/seco MONTABLE EN BASTIDOR de 5 galones
 Número de modelo WD55000



RIDGID®



Qué está cubierto

Se garantiza que las herramientas RIDGID® están libres de defectos de fabricación y de materiales.

Cuánto dura la cobertura

Esta garantía dura toda la vida de la herramienta RIDGID®. La cobertura de garantía termina cuando el producto se vuelva inutilizable por motivos que no sean defectos de fabricación o de materiales.

Cómo puede obtener servicio

Para obtener el beneficio de esta garantía, envíe el producto completo mediante transporte prepago a RIDGE TOOL COMPANY, Elyria, Ohio, o a cualquier CENTRO DE SERVICIO INDEPENDIENTE RIDGID®. Las llaves para tubos y otras herramientas de mano deben devolverse al establecimiento de compra.

Qué haremos para corregir los problemas

Los productos garantizados se repararán o reemplazarán, a opción de RIDGE TOOLS, y se devolverán sin cargo; o si después de tres intentos de reparar o reemplazar un producto durante el período de garantía dicho producto sigue presentando defectos, usted podrá optar por recibir un reembolso completo por la cantidad del precio de compra.

Qué no está cubierto

Las averías debidas a uso incorrecto, abuso o desgaste por el uso normal no están cubiertas por esta garantía. RIDGE TOOL no será responsable de ningún daño incidental ni emergente.

Cómo se relaciona la ley local con la garantía

Algunos estados no permiten la exclusión o limitación de los daños incidentales o emergentes, por lo que es posible que la limitación o exclusión que antecede no tenga aplicación en su caso. Esta garantía le confiere a usted derechos específicos y es posible que también tenga otros derechos, que varían de un estado a otro, una provincia a otra o un país a otro.

Ninguna otra garantía expresa tiene aplicación

Esta GARANTÍA COMPLETA DE POR VIDA es la garantía única y exclusiva de los productos RIDGID®. Ningún empleado, agente, distribuidor u otra persona está autorizado a alterar esta garantía ni a dar ninguna otra garantía en nombre de RIDGE TOOL COMPANY.

No. de catálogo WD5500

No. de modelo WD5000

Número de serie _____

Los números de modelo y de serie se pueden encontrar en el mango. Debe anotar tanto el número de modelo como el de serie en un lugar seguro para uso futuro.

WARNING: The power cord on this product contains lead, a chemical known in the State of California to cause birth defects or other reproductive harm. Wash hands after handling.

**¿PREGUNTAS O COMENTARIOS? LLAME AL
1-800-4-RIDGID (1-800-474-3443)**

www.ridgidvac.com

Por favor, tenga a mano su número de modelo y número de serie cuando llame.



EMERSON™
Professional Tools

Emerson Tool Company
Una División de
Emerson Electric Co.

© 2005 Emerson

No. de pieza SP6625

Formulario No. SP6625

Impreso en Canadá 08/05

Free Manuals Download Website

<http://myh66.com>

<http://usermanuals.us>

<http://www.somanuals.com>

<http://www.4manuals.cc>

<http://www.manual-lib.com>

<http://www.404manual.com>

<http://www.luxmanual.com>

<http://aubethermostatmanual.com>

Golf course search by state

<http://golfingnear.com>

Email search by domain

<http://emailbydomain.com>

Auto manuals search

<http://auto.somanuals.com>

TV manuals search

<http://tv.somanuals.com>