

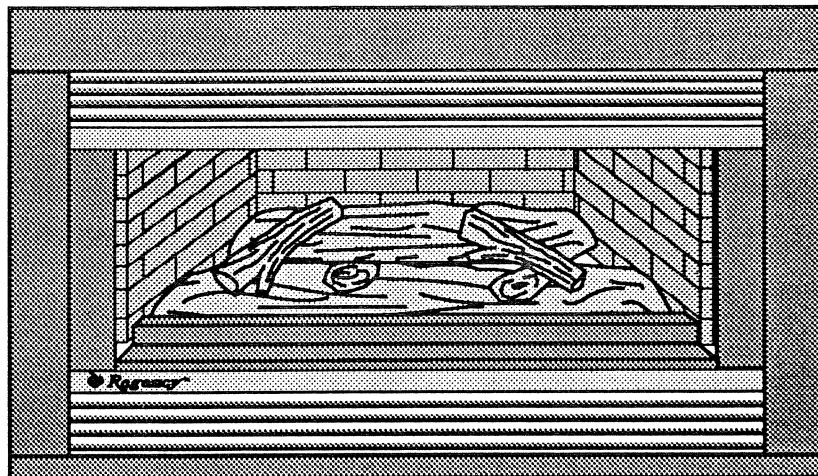
INSTALLATION AND OPERATING INSTRUCTIONS

Zero Clearance Direct Vent Gas Fireplace

with Standing Pilot:

MODEL Z30DVT-NG NATURAL GAS

MODEL Z30DVT-LP PROPANE



PLEASE KEEP THESE OPERATING INSTRUCTIONS FOR FUTURE REFERENCE

This manual contains all of the necessary information to ensure the safe, efficient and dependable installation of your gas fireplace. Please read and understand these installation instructions before beginning your installation.

FOR YOUR SAFETY

What to do if you smell gas:

- 1) Do not try to light any appliance.
- 2) Turn off main gas supply.
- 3) Do not touch any electrical switch, do not use any phone in your building.
- 4) Immediately call your gas supplier from a neighbour's phone. Follow the gas supplier's instructions.
- 5) If you cannot reach the gas supplier, call the fire department.

WARNING: Improper installation, adjustment, alteration, service or maintenance can cause injury or property damage. Refer to this manual. For assistance or additional information consult a qualified installer, service agency or the gas supplier.

FOR YOUR SAFETY

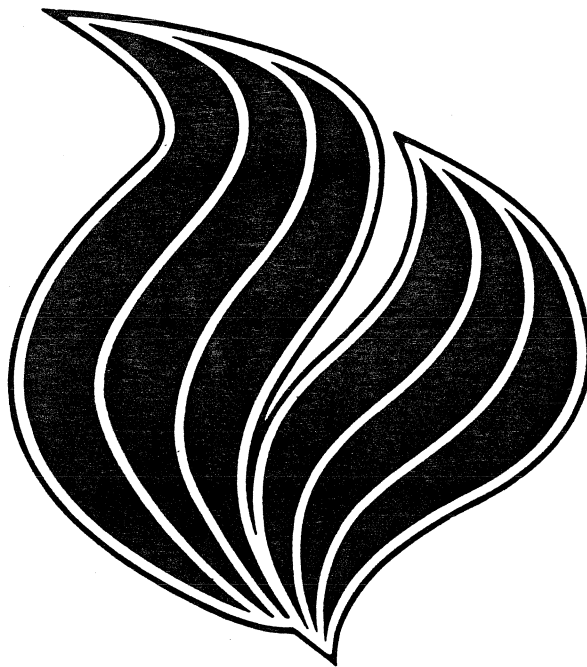
Do not store or use gasoline or other flammable vapors and liquids in the vicinity of this or any other appliance.

Regency Industries Ltd.
7830 Vantage Way, Delta, B.C.
Canada, V4G 1A7

Tested by Warnock Hersey

Warnock Hersey





**REGENCY ZERO CLEARANCE
DIRECT VENT
GAS FIREPLACE**

TO THE NEW OWNER

Congratulations! You are the owner of a state-of-the-art Gas Fireplace by REGENCY INDUSTRIES. The Regency Gas Fireplace Series of hand crafted appliances has been designed to provide you with all the warmth and charm of a fireplace, at the flick of a switch. The models Z30DVT-NG and Z30DVT-LP of this series has been approved by Warnock Hersey for both safety and efficiency. As it also bears our own mark, it promises to provide you with economy, comfort and security for many trouble free years to follow. Please take a moment now to acquaint yourself with these instructions and the many features of your Regency Fireplace.

TABLE OF CONTENTS

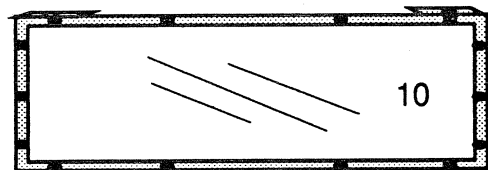
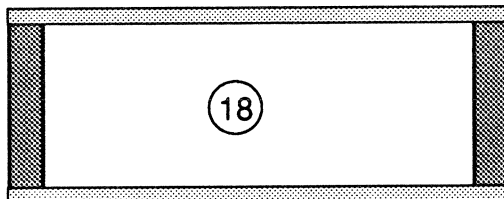
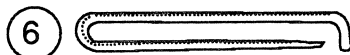
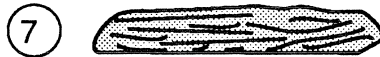
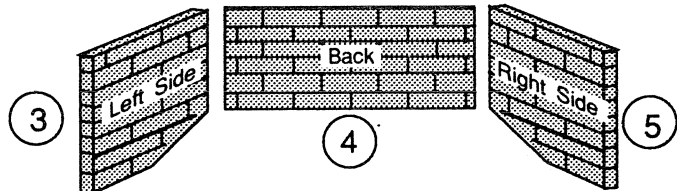
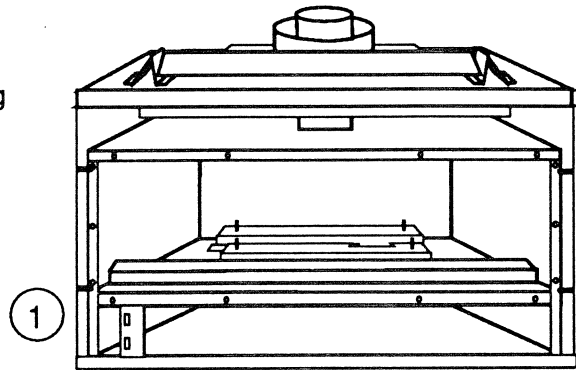
REGENCY ZERO CLEARANCE DIRECT VENT GAS FIREPLACE

Contents	Page	Contents	Page
PARTS		Operating Instructions	16
Parts List	4	Lighting Instructions	16
Safety Label	5	Shutdown Instructions	16
		Lighting Instructions Plate	17
INSTALLATION REQUIREMENTS		MAINTENANCE	
Gas Pipe Testing	6	Maintenance	18
Specifications	6		
General Safety Information	6-7	WARRANTY	
Clearances to Combustibles	7	Warranty	19
Framing Clearances	7		
Locating Your Regency Fireplace	7		
Vent Terminal Location Diagram	8		
Combustion & Ventilation Air	9		
Venting	9		
INSTALLATION INSTRUCTIONS			
Installation Sequence Overview	10		
Step 1) Venting	10		
Step 2) Faceplate Assembly	11		
Step 3) Flue Connection	11		
Step 4) Gas Connection	11		
Step 5) Brick Panel	12		
Step 6) Logs	12		
Step 7) Pilot Re-test	12		
Step 8) Louvers	13		
Step 9) Fan Installation (Optional)	13		
Step 10) Glass Trim	14		
Step 11) Final Check	14		
Wiring Diagram	15		
OPERATING INSTRUCTIONS			

PARTS LIST

You will be receiving the following components with your new Regency Zero Clearance Direct Vent Gas Fireplace. Please review your product to make sure you have all you need. In the event that you are missing any part contact your dealer.

PART NUMBER	PART NAME
1)	500-531 Firebox Assembly
2)	500-911 Louver (2) - Black or (500-912 Gold)
3)	902-125 Brick Panel (Left)
4)	902-126 Brick Panel (Back)
5)	902-124 Brick Panel (Right)
6)	948-189 Burner
7)	902-138 Rear Log
8)	902-139 Front Log
9)	902-134 Cross Log
10)	940-224 Glass Assembly
11)	500-542 Right Side Faceplate - Black
12)	500-543 Bottom Faceplate - Black
13)	500-541 Left Side Faceplate - Black
14)	500-540 Top Faceplate - Black
15)	500-560 Valve Assembly (Nat. Gas) 500-562 Valve Assembly (Propane)
16)	500-915 Fan (Optional)
17)	948-166 Regency Logo Plate
18)	500-932 Glass Trim



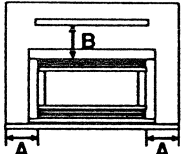


Optional Accessories:
500-9 Gold Faceplate & Glass Trim Kit

PARTS LIST

This is a copy of the label that accompanies each Regency Zero Clearance Direct Vent Gas Fireplace. We have printed a copy of the contents here for your review. The safety label is located on the front inside base of the unit visible when the bottom louver is open.

NOTE: Regency units are constantly being improved. Check the label on the unit and if there is a difference, the label on the unit is the correct one.

	<p>Listed: Vented Direct Vent Gas Fireplace Foyer A Gas A Evacuation Directe</p> <p>Tested to: CAN/CGA 2.22-M86, CAN/CGA 2.17-M91, CGA Interim Requirement 41, ANSI Z21.44a-1989 and ANSI Z21.50b-1990 Certified for/Certifiée pour: CANADA and U.S.A. REPORT NO.6654 (JULY 1993)</p>		<p>DO NOT REMOVE THIS LABEL</p> <p>Serial No. WH - DV No de Serie</p>
<p>● Model/ Modèle: Z30DVT-LP</p>	<p>PROPANE: Model Z30DVT-LP</p> <p>Minimum supply pressure LPG 11.0" WC /C.E. Manifold pressure LPG 10.0" WC /C.E. Orifice size LPG 52 DMS (0-4500')</p> <p>For use with propane gas.</p>	<p>PROPANE: Modelé Z30DVT-LP</p> <p>Pression d'alimentation minimum Pression a la tubulure d'alimentation Grandeur de l'injecteur</p> <p>Pour usage avec propane</p>	<p>Minimum Clearances to Combustibles: Top, Back Sides, Bottom to Standoffs: 0"/0mm Adjacent</p> <p>Materials: A 12"/305 mm Manteau: B 14"/355 mm</p>
<p>● Model/ Modèle: Z30DVT-NG</p>	<p>NATURAL GAS: Model Z30DVT-NG</p> <p>Minimum supply pressure NAT 4.5" WC /C.E. Manifold pressure NAT 3.5" WC /C.E. Orifice size NAT 37 DMS (0-4500')</p> <p>For use with natural gas.</p>	<p>NATUREL GAZ: Modèle Z30DVT-NG</p> <p>Pression d'alimentation minimum Pression a la tubulure d'alimentation Grandeur de l'injecteur</p> <p>Pour usage avec naturel gaz.</p>	 <p>Dégagement Minimum Des Matériaux Combustibles: Au Dessus Côtes, Arrière, Sol: 0"/0mm. Murs: A 12"/305mm Manteau: B 14"/355mm</p>
<p>Optional Fan - Part # 500-915 ELECTRICAL SUPPLY 115 V 60 HZ LESS THAN /MOINS DE 12 AMP. ALIMENTATION ELECTRIQUE: Altitude maximum input 0-4500 ft/pl (0-1370 m) 30,000 BTUH</p> <p>Keep burner and control compartment clean. See Installation and Operating Instructions accompanying the appliance. NOT A SOURCE OF HEAT. Not for use with solid fuel.</p>		<p>Ventilateur Optionel No. de Pièce: 500-915 Débit calorifique maximum selon l'altitude</p> <p>Maintenir propres le brûleur et le compartiment de commande. Voir les instructions relatives a l'installation et au fonctionnement qui accompagnent l'appareil. NON CONCU POUR CHAUFFAGE. Ne doit pas être utilisé avec un combustible solide.</p>	
<p>Regency Industries Ltd., Delta, B.C., Canada</p>		<p>MADE IN CANADA / FABRIQUE AU CANADA 908-277</p>	

INSTALLATION REQUIREMENTS

IMPORTANT: SAVE THESE INSTRUCTIONS

The Regency Zero Clearance Direct Vent Gas Fireplace must be installed in accordance with these instructions. Carefully read all the instructions in this manual first. Consult the building authority having jurisdiction to determine the need for a permit prior to starting the installation.

NOTE: Failure to follow the instructions could cause a malfunction of the heater which could result in death, serious bodily injury, and/or property damage. Failure to follow these instructions may also void your fire insurance and/or warranty.

GAS PIPE TESTING

The appliance must be isolated from the gas supply piping system by closing its individual manual shutoff valve during any pressure testing of the gas supply piping system at test pressures equal to or less than 1/2 psig. (3.45 kPa).

SPECIFICATIONS

Gas Input Capacity: 30,000 BTUH

Note: Not tested for output.

Fuels: Approved for use with both natural gas, liquefied petroleum gases (propane). Approved as is for use at 0' to 4,500'.

Electrical: 115 V.A.C. system.

Optional Circulation Fan: Two speed, 110 CFM.

Log Sets: Ceramic fiber, 4 per set.

Vent System: Co-axial (8" outer / 4" inner liner) flex flue and termination cap.

BEFORE YOU START

Safe installation and operation of this appliance requires common sense, however, we are required by the Canadian Safety Standards and ANSI Standards to make you aware of the following:

General Safety Information

- 1) The appliance installation must conform with local codes or in the absence of local codes, with the current CAN/CGA B149 (in Canada) or the National Fuel Gas Code ANSI Z223.1. This appliance should be installed by a qualified gas fitter technician only.
- 2) The appliance when installed, must be electrically grounded in accordance with local codes or in the absence of local codes with the current National Electrical Code, ANSI/NFPA 70 or CSA C22.1 Canadian Electrical Code.
- 3) **Installation and repair should be done by a qualified service person.**
- 4) The appliance should be inspected for shipping damage before use and serviced annually by a professional service person. More frequent cleaning may be required due to excessive lint from carpeting, bedding material, etc.. It is imperative that control compartments, burners and circulating air passageways of the appliance be kept clean and free from excessive lint from carpeting.
- 5) See general construction and assembly instructions. The appliance and vent should be enclosed when installed in or passing through a living area, where children may come in contact with it.
- 6) This fireplace must be connected to the specified vent and termination cap to the outside of the building envelope. Never vent to another room or inside a building. Make sure that the vent is fitted as per the instructions on page 9.
- 7) Inspect the venting system annually for blockage and any signs of deterioration.
- 8) Any safety glass removed for servicing must be replaced prior to operating the appliance.
- 9) To prevent injury, do not allow anyone who is unfamiliar with the operation to use the fireplace.
- 10) Due to high temperatures, the appliance should be located out of high traffic areas and away from furniture and draperies. Children and adults should be alerted to the hazards of high surface temperatures, especially the fireplace glass, and should stay away to avoid burns or clothing ignition. Young children should be carefully supervised when they are in the same room as the appliance. Clothing or other flammable material should not be placed on or near the appliance.

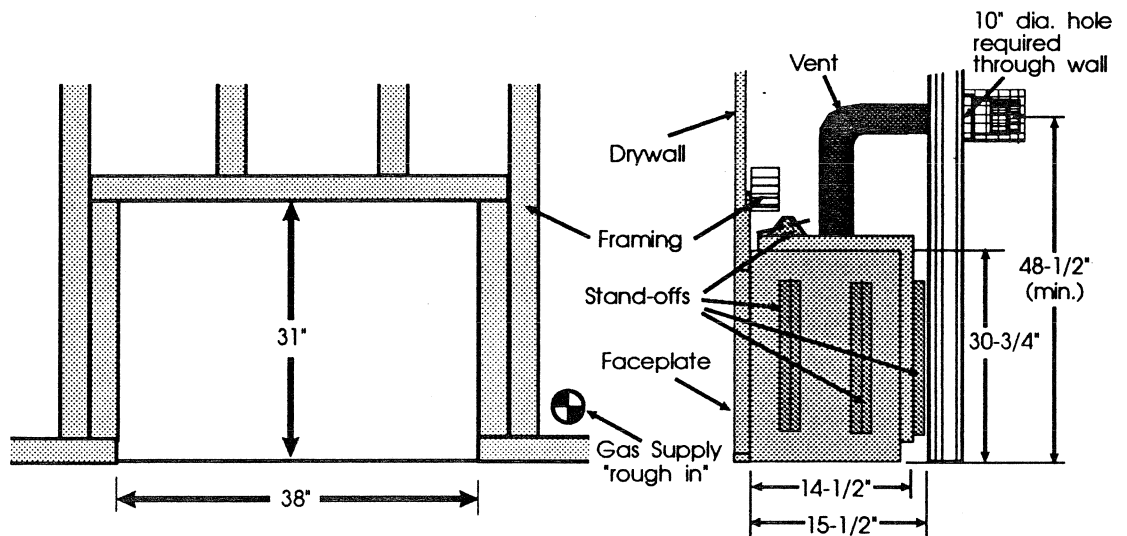
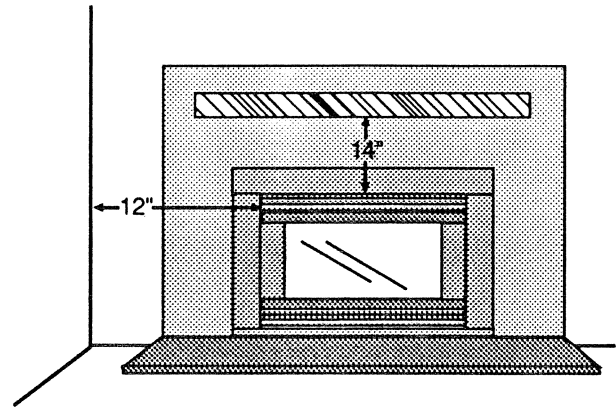
INSTALLATION REQUIREMENTS

MINIMUM CLEARANCES TO COMBUSTIBLES

Back	0 in. / 0 mm.
Side	0 in. / 0 mm.
Floor	0 in. / 0 mm.
Louver to Mantle (min.)	14 in./355 mm.
Louver to Side Wall (min.)	12 in./304 mm
Vent	1 in. / 25 mm.

The appliance cannot be installed directly on carpeting, tile or other combustible material other than wood flooring, the appliance must be installed on a metal or wood panel extending the full width and depth of the fireplace.

Note: Do not install drywall until after installation is complete.



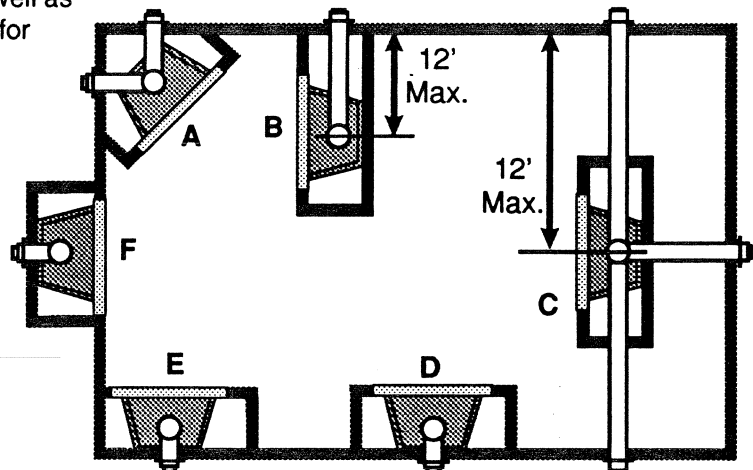
Framing Clearances and Finishing

LOCATING YOUR REGENCY FIREPLACE

When selecting a location for your fireplace, ensure that the clearances listed above are met as well as ensuring that there is adequate accessibility for servicing and proper operation.

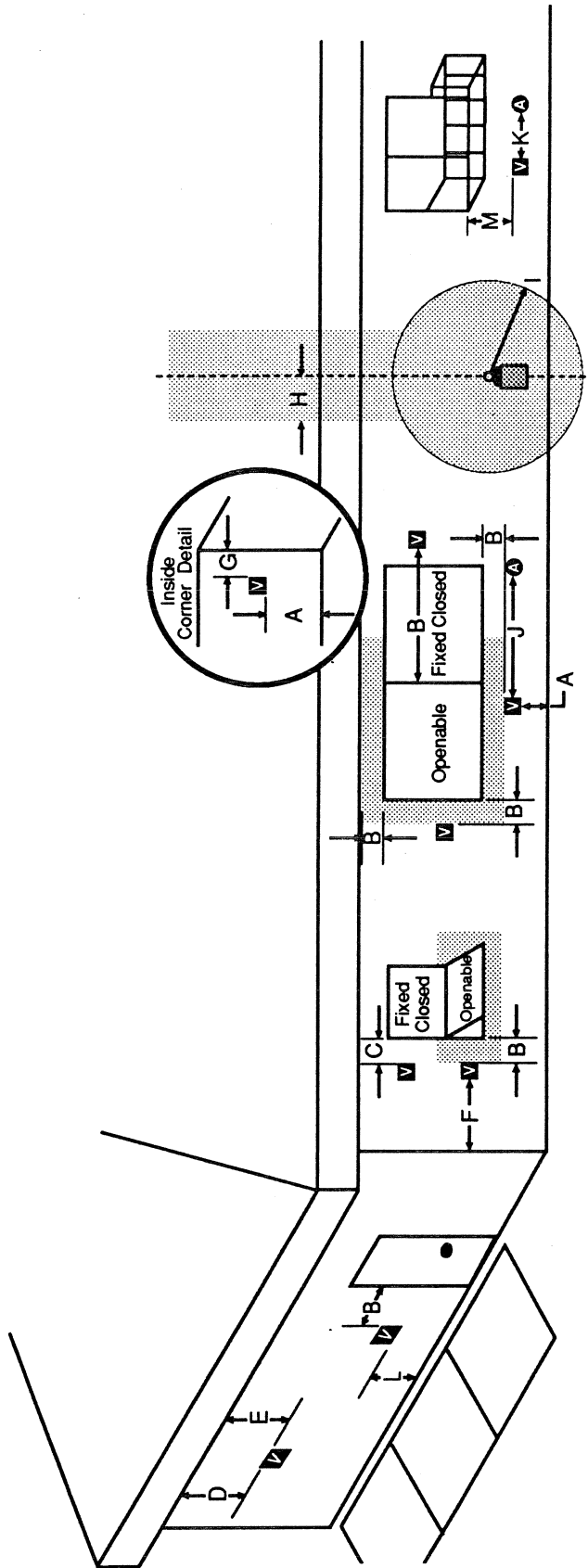
- A) Cross Corner
- B) Room Divider
- C) Island
- D) Flat on Wall
- E) Flat on Wall Corner
- F) Flush with Wall

For Vent Termination requirements, see pages 9 and 10.



INSTALLATION INSTRUCTIONS

Vent Terminal Locations



- V** = vent terminal **A** = air supply outlet [shaded area] = area where terminal is not permitted
- A** = clearance above grade, veranda, porch, deck, or balcony [*12 inches (30 cm) minimum]
- B** = clearance to window or door that may be opened [*12 inches (30 cm)]
- C** = clearance to permanently closed window [minimum 12 inches (30 cm) recommended to prevent condensation on window]
- D** = vertical clearance to ventilated soffit located above the terminal within a horizontal distance of 2 feet (60 cm) from the centre-line of the terminal [18 inches (46 cm) minimum]
- E** = clearance to unventilated soffit [22 inches (55 cm) minimum]
- F** = clearance to outside corner 22" (55 cm)
- G** = clearance to inside corner 22" (55 cm)
- H** = *not to be installed above a meter/regulator assembly within 3 feet (90 cm) horizontally from the centre-line of the regulator
- I** = clearance to service regulator vent outlet [*6 feet (1.8 m) minimum]
- J** = clearance to non-mechanical air supply inlet to building or the combustion air inlet to any other appliance [*12 inches minimum]
- K** = clearance to a mechanical air supply inlet [*6 feet (1.8 m) minimum]
- L** = † clearance above paved side-walk or a paved driveway located on public property [*7 feet (2.1 m) minimum]
- M** = ‡ clearance under veranda, porch, deck, or balcony [*12 inches (30 cm) minimum †]

† a vent shall not terminate directly above a side-walk or paved driveway which is located between two single family dwellings and serves both dwellings*.

‡ only permitted if veranda, porch, deck or balcony, is fully open on a minimum of 2 sides beneath the floor*.

* as specified in CGA B149 Installation Codes (1991) **Note:** local Codes or Regulations may require different clearances.

INSTALLATION REQUIREMENTS

COMBUSTION AND VENTILATION AIR

The combustion air from this appliance is drawn from outside the building through the outer flue. **Extra provision for combustion air inside the room is not required.**

VENTING

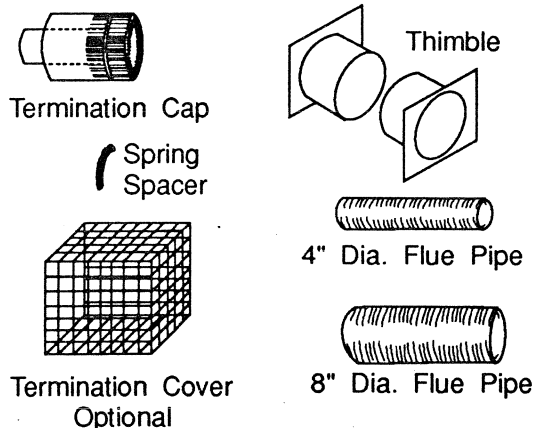
THE APPLIANCE MUST BE CONNECTED TO THE FLUE TERMINATION CAP SUPPLIED USING SINGLE WALL FLEXIBLE FLUE PIPE (INSIDE FLUE 4" DIAMETER, OUTSIDE 8" DIAMETER STAINLESS). THESE FLUE PIPES MUST NOT BE CONNECTED TO ANY OTHER APPLIANCE.

The location of the termination cap must conform to the requirements in the Vent Terminal Locations diagram on page 8.

The length of the flue must comply with the table below.

Termination Kit (Part # 946-501) Includes:

- 1) 8" dia. flexible flue pipe (4 ft. length)
- 2) 4" dia. flexible flue pipe (4 ft. length)
- 3) Spring Spacer (1)
- 4) Thimble (2 pcs)
- 5) Termination Cap (1)
- 6) Screws (12)



Optional Flue Extension Kit (Part # 500-971) Includes:

- 1) 8" dia. flexible flue pipe (10 ft. length)
- 2) 4" dia. flexible flue pipe (10 ft. length)
- 3) Spring spacers (3)
- 4) Outer spacers (3)
- 5) Screws (12)
- 6) 8" dia. connector (1)
- 7) 4" dia. connector (1)

Vertical run from top of unit	Horizontal Run	Required Venting Chart											
		Min.	2 ft.	3 ft.	4 ft.	5 ft.	6 ft.	7 ft.	8 ft.	9 ft.	10 ft.	11 ft.	Max.
Min. 1 ft. 8 in.	1 ft. 2 in.												
2 ft.													
2 ft. 6 in.													
3 ft.													
3 ft. 6 in.													
4 ft.													
4 ft. 6 in.													
5 ft.													
5 ft. 6 in.													
6 ft.													
Max. 6 ft. 6 in.													

Flue lengths not permitted

INSTALLATION INSTRUCTIONS

INSTALLATION SEQUENCE OVERVIEW

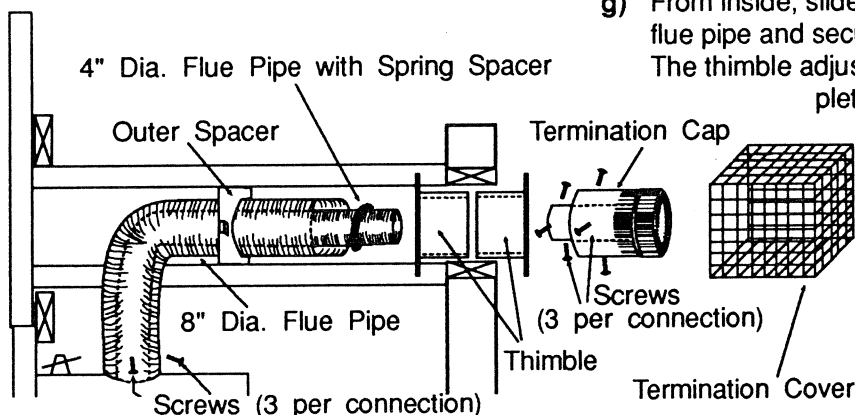
The Regency Zero Clearance Direct Vent Gas Fireplace is installed in the steps as listed below. Detailed instructions for each step follow.

- 1) Install venting system in outer wall. Page 10 & 11.
- 2) Position the Direct Vent box inside the frame, attach the faceplate assembly to the firebox and nail the unit to the frame with the faceplate. Page 11.
- 3) Attach the inner and outer flues to the flues on the appliance. Page 11.
- 4) Make the gas connection. Page 11.
- 5) Install the brick panels. Page 12.
- 6) Install the 4 logs. Page 12.
- 7) Re-test the pilot for pilot ignition and replace glass. Page 12.
- 8) Install both louvers. Page 13.
- 9) Install Optional Fan. Page 13
- 10) Replace glass trim. Page 14.
- 11) **FINAL CHECK:** Before leaving this unit with the customer, the installer must ensure that the appliance is firing correctly. This includes:
 - a) Clocking the appliance to ensure the correct firing rate (rate noted on label)
 - b) If required, adjusting the primary air to ensure that the flame does not carbon. First allow the unit to burn for 1 hour to stabilize.

NOTE: After item (12) the framing can be dry walled and finished up to the outer edge of the faceplate.

STEP 1)

- a) Mark out the position of the termination cap and ensure that the location of the termination cap conforms to the requirements in the Vent Terminal Locations diagram on page 8.
- b) Cut the 10" dia. hole in the wall.
- c) Slide the termination cap into the outer wall thimble and attach the 4" and 8" flue pipe as listed below:
 - i) The flue pipes have been compressed for shipping and must be pulled apart to the desired length or to the 4 foot maximum. The length of the flue must comply with the table on page 9.
 - ii) Apply high temperature silicone to the inside rim of the 4" flue pipe and then attach the flue pipe to the flue termination cap with the 3 screws (supplied with kit).
 - iii) To prevent the flue pipes from sagging on long horizontal runs a spring spacer every 2 feet on the inner 4" dia. flue pipe (wrap the spring around the pipe and lock the ends together).
 - iv) Apply high temperature silicone to the inside rim of the 8" flue pipe and then attach the flue pipe to the flue termination cap with the 3 screws (supplied with kit).
- d) Slide the outer wall thimble (with the termination cap and attached flue pipe) into the hole in the wall and secure the wall thimble to the wall.
- e) Attach termination cap to the wall thimble (projecting a min. of 7") and seal with silicone sealant around the joint. The termination cap should be slightly angled down to prevent moisture entering the flue during severe weather conditions. It must never be recessed into the wall or siding and must comply with the dimensions in the diagram on page 8.
- f) Install the optional termination cover if required by local codes.
- g) From inside, slide the inner wall thimble over the flue pipe and secure to the inside of the outer wall. The thimble adjusts from 4" to 7". When completed there should be a 1" clearance to combustibles around the 8" flue pipe.

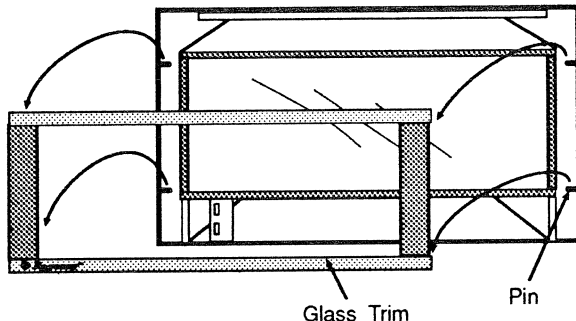


INSTALLATION INSTRUCTIONS

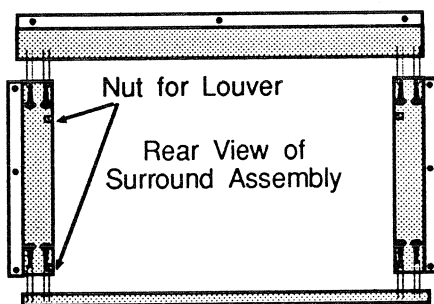
- h) If you are installing the optional Flue Extension Kit, the outer 8" dia. flue pipe will require an outer spacer to be installed every 2 feet to prevent the flue pipes from sagging on long horizontal runs

STEP 2)

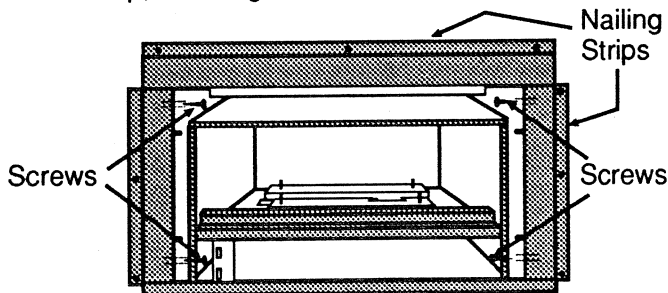
- a) Remove the glass trim. Lift the glass trim up and off the pins in the firebox body.



- b) Assemble the faceplate panels. Attach the side panels to the top panel and the bottom trim with the screws provided. **Note: The right and left side panel are different, refer to the position of the nuts for the louvers to ensure the correct assembly.**



- c) Position the Direct Vent box inside the frame, and attach the faceplate assembly to the inside flange on firebox using the four black screws provided.
d) Ensure that the appliance is level and centered, then nail faceplate to framing using the nailing strip, following the clearances listed on pg. 7.



STEP 3)

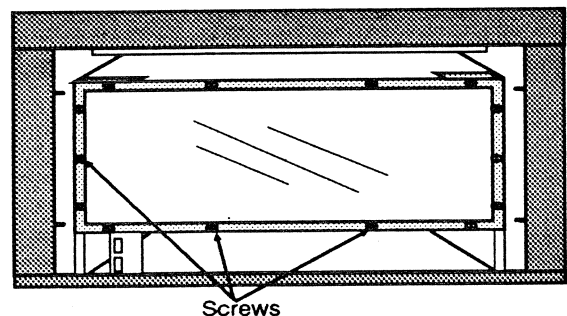
- a) Attach the inner and outer flues to the flues on the appliance with the screws provided and seal with the silicone sealant by applying high temperature silicone to the inside rim of the flue pipe before attaching it to the flue termination cap with the screws (3 for each pipe).

STEP 4) GAS CONNECTION

GAS CONNECTION WARNING:

Only persons licensed to work with gas piping may make the necessary gas connections to this appliance.

- a) The appliance is provided with an opening on the right hand side of the control compartment. A 1/2" gas supply pipe must be brought near this inlet hole on the right hand side of the unit.
b) It is recommended that the installer provide a 1/8" N.P.T. male pipe hose barb, accessible for pressure test gauge connection, immediately upstream of the gas supply connection to the appliance.
c) Make the gas connection.
d) Remove the 14 screws from the glass frame. Use caution when removing the last to ensure that the glass does not fall forward and break.



- e) Ensure that the pilot valve is in line with burner.
f) A small amount of air will be in the lines and needs to be purged by lighting the pilot. (See page 15 for lighting instructions). When first lighting the appliance, it will take a few seconds for the lines to purge themselves of air. Once purging is completed, the pilot and burners will light when the top switch (burner) is flicked on.

INSTALLATION INSTRUCTIONS

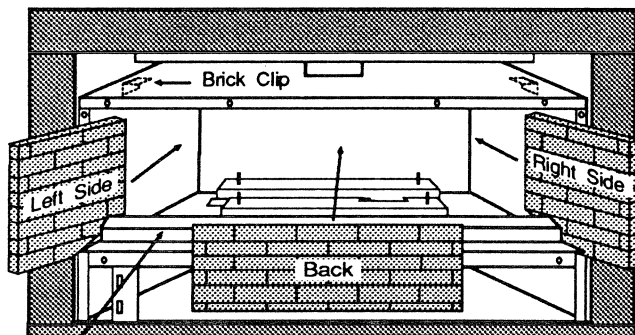
NOTE: Propane systems may go into "lockout" during purging. The system can be manually reset after 30 seconds.

- g) After the unit has been purged, check the line pressure as per the label on the appliance (a copy is on page 5).

CAUTION: If the glass is removed for servicing, it must be replaced prior to operating the appliance. The glass must be fixed in the closed position when operating.

STEP 5) BRICK PANEL

- a) Unwrap the brick pattern panels from the protective wrapping.
- b) With the glass removed, position the back panel first, then the two side panels. The side panels should be positioned behind the brick clip and the front deflector plate. The back brick panel is installed with the full row of "bricks" at the top. The patterns of the sides and back should match.



Front Deflector Plate

- c) The brick panels should be tight against the firebox sides and back. The side panels should be flush with the glass.

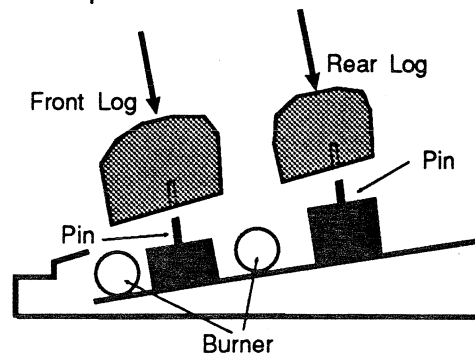
STEP 6) LOGS

WARNING: Dangerous operating conditions may occur if these logs are not positioned in their Warnock Hersey certified locations. Read the following instructions carefully and refer to the attached diagram.

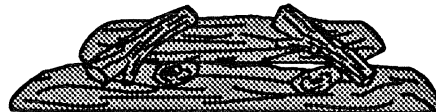
The gas log kit contains four (4) logs:

- A) Rear Log: 16 " long (# 902-139)
B) Front Log 24 " long (# 902-138)
C) Set of 2 Cross Logs: 8" long (# 902-134)

- a) Place the shorter rear log, #902-139, in the back of the unit, aligning it with the pins sticking up in the rear of the unit. Carefully push the log down onto the pins.
- b) Place the longer front log, (#902-138) in the front of the unit, aligning it with the pins sticking up in the front of the unit. Carefully push the log down onto the pins.



- c) Place the two cross logs, #902-134, in the location slots on the top face of the larger logs.



STEP 7)

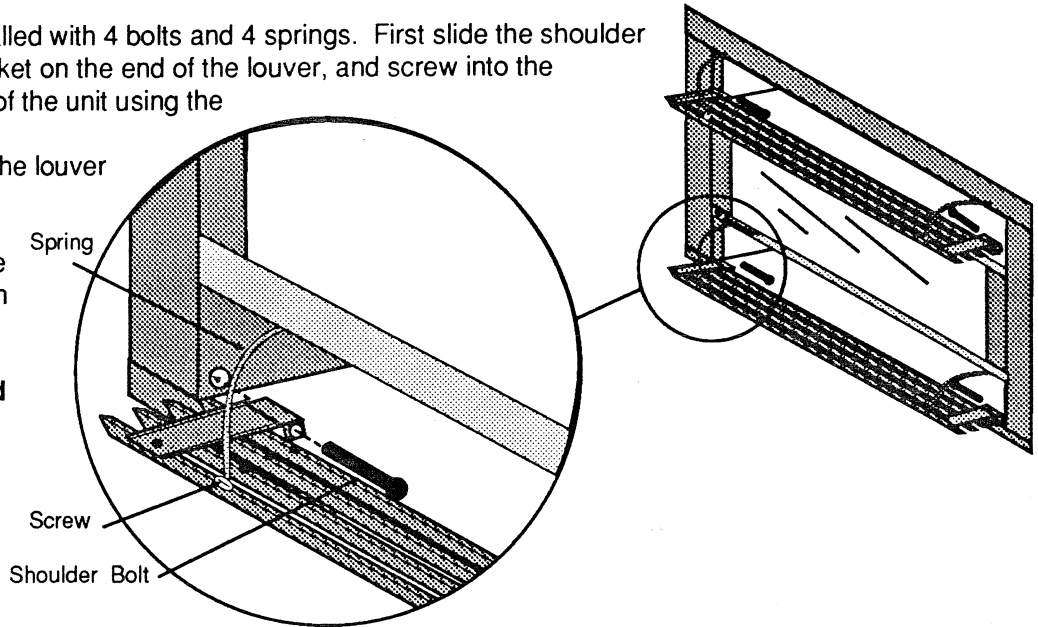
- a) Re-test for pilot ignition.
- b) Re-install the glass, position and secure with the 14 screws. (See page 9 for diagram).

INSTALLATION INSTRUCTIONS

STEP 8) LOUVERS

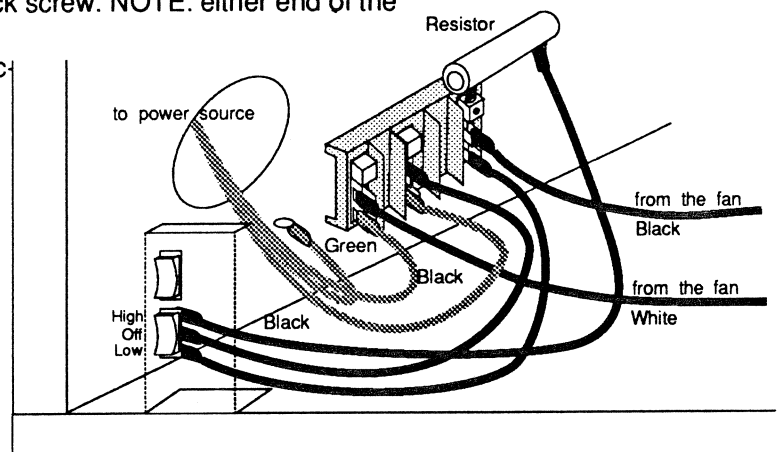
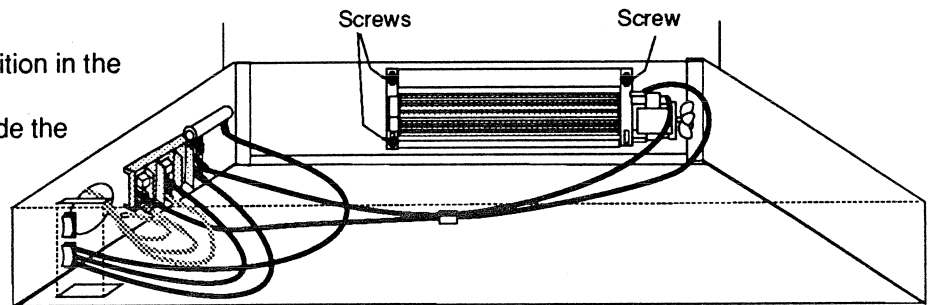
- The louvers are installed with 4 bolts and 4 springs. First slide the shoulder bolt through the bracket on the end of the louver, and screw into the opening on the side of the unit using the allen key.
- Attach the spring to the louver (1 spring on each end) with the screw. The screw hole in the louver is approx. 3" in from the edge.

NOTE: The optional **gold louvers** have a protective plastic covering that **must be removed** before the appliance is used for the first time.



STEP 9) FAN INSTALLATION (OPTIONAL)

- Remove terminal block cover.
- Put HI/OFF/LOW switch into position in the switch bracket.
- Drop open the bottom louver. Slide the fan in and attach to the rear wall using the 3 screws supplied.
- Connect the black wire from the fan to the right side terminal block.
- Connect the white wire from the fan to the left side terminal block.
- Attach the resistor using the RHS terminal block screw. NOTE: either end of the resistor can be attached.
- Connect the black wire from the "LOW" connection of the HIGH/LOW switch to the resistor.
- Connect the black wire from the "HIGH" connection of the HIGH/LOW switch to the right side terminal block.
- Connect the black wire from the "OFF" connection of the HIGH/LOW switch to the middle connection on the terminal block.
- Connect the power source to the left side and middle connection of the terminal block and run it out through the body. Ensure that the cord does not come into contact with any hot surfaces.
- Attach the ground wire to the stove (screw hole provided).
- Attach the terminal block cover.

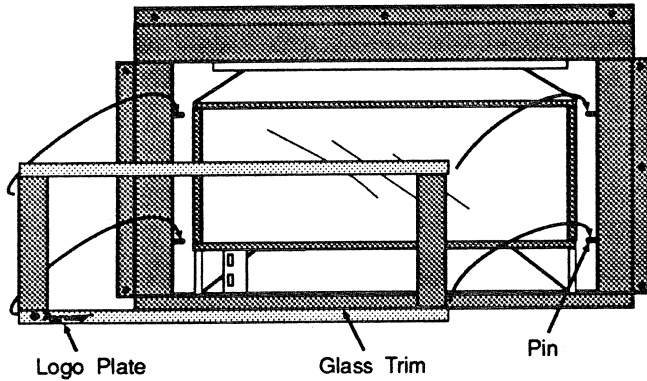


NOTE: Drawings only show wires that need to be connected for the fan installation. See page 14 for the complete wiring diagram.

INSTALLATION INSTRUCTIONS

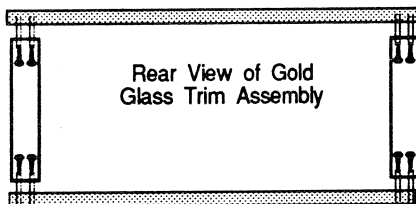
STEP 10) GLASS TRIM

- a) Remove the plastic protecting the brass trim.
- b) Slide the glass trim onto the four pins in the body.
Hint: slot the glass trim onto the top two pins first and then the bottom pins.



If you have purchased the optional Gold Faceplate Kit, the glass trim will have to be assembled.

- a) Attach the side panels to the rails using the screws provided.
- b) Follow steps a) to c) in the section above.



STEP 11) FINAL CHECK:

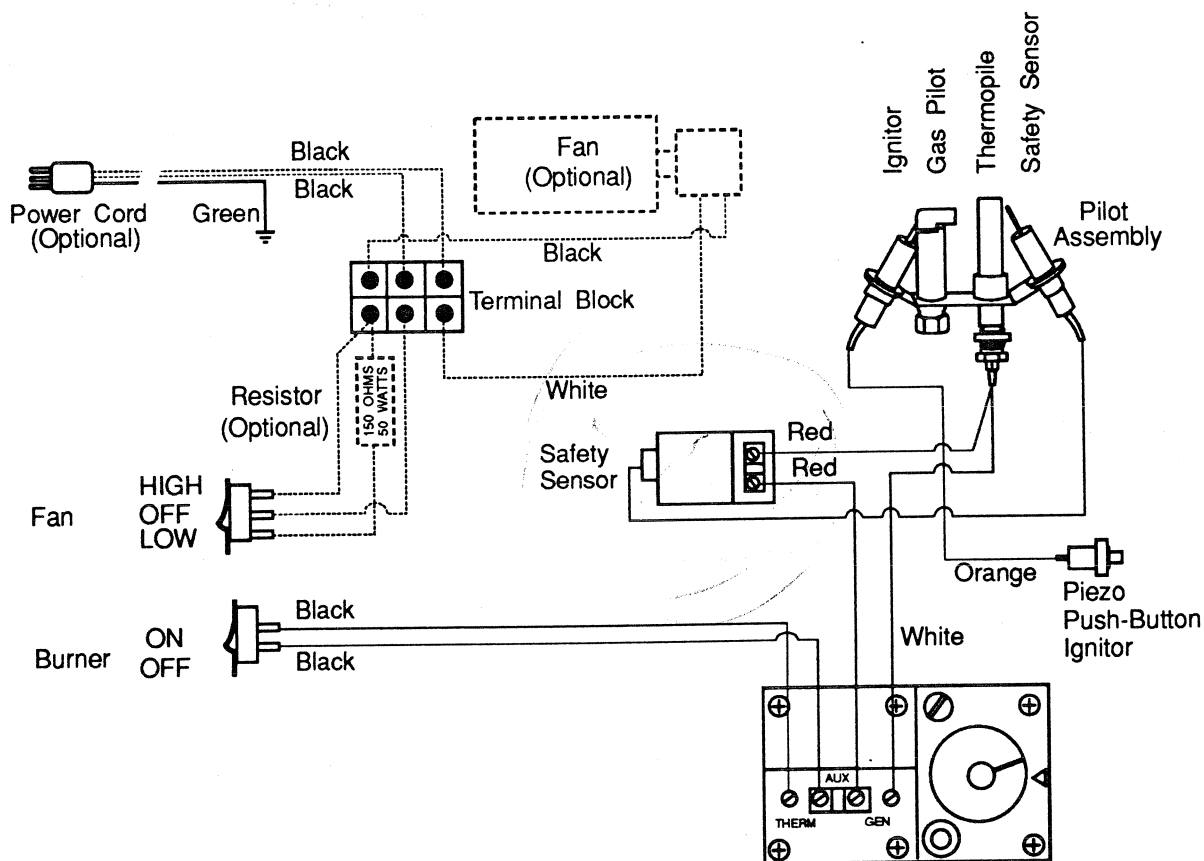
Before leaving this unit with the customer, the installer must ensure that the appliance is firing correctly. This includes:

- a) Clocking the appliance to ensure the correct firing rate (rate noted on label)
- b) If required, adjusting the primary air to ensure that the flame does not carbon. First allow the unit to burn for 1 hour to stabilize.

INSTALLATION INSTRUCTIONS

WIRING DIAGRAM

No electrical power supply is required for the gas control to operate. A 115 Volt AC power cord is hooked up to the fan switch and blower. Plug 3 wire cord into a suitable receptacle. Alternatively the fan can be hard wired is desired. **Do not cut the ground terminal off under any circumstances.**



Wiring Diagram for Z30DVT-NG

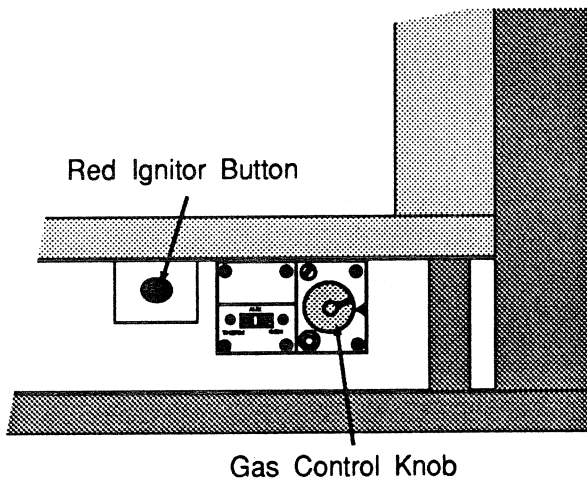
OPERATING INSTRUCTIONS

OPERATING INSTRUCTIONS

- 1) When lit for the first time, the appliance will emit a slight odor for an hour or two. This is due to the "burn-in" of internal paints used in manufacturing and burn off of starch in the logs. You may wish to open a few windows to ventilate the room for a couple of hours. Again, this is a "one time" burn-in procedure and is not uncommon among gas fired appliances.
- 2) When lighting the appliance, the inside of the glass may fog up. This will burn off after a few minutes of operation.

DO NOT BURN THE APPLIANCE WITHOUT THE GLASS FRONT IN PLACE.

- 3) The bottom switch operates the fan which forces heated air into the room. The three position switch allows you to select HIGH (top) or LOW (bottom). OFF is the middle position.



LIGHTING PROCEDURE

IMPORTANT: Gas cock knob cannot be turned from "PILOT" to "OFF" unless it is partially depressed.

- 1) Turn burner OFF using "ON/OFF" switch.
- 2) Depress the gas control knob and turn so that the indicator points to "OFF" position.
- 3) Depress the gas control knob and turn counter-clockwise so that the indicator points to the "PILOT" position.
- 4) Depress fully the gas control knob and at the same time depress the red igniter button several times until the pilot lights. **Keep the gas control knob depressed for approximately one minute***, then release the gas control knob and the pilot flame should continue to burn. If the pilot does not remain lit, repeat operation allowing a longer period before releasing gas control knob.

*The pilot must burn long enough to heat up the sensor, which will automatically shut the unit off if the pilot goes out.

- 5) When the pilot stays lit, turn the gas knob further counterclockwise to the "ON" position.
- 6) Use the rocker switch to operate the main burner.

SHUTDOWN PROCEDURE

- 1) Use the rocker switch to turn off the main burner.
- 2) Turn the main gas control clockwise to the "OFF" position to turn off the pilot.
- 3) Turn off all electric power to appliance if service is to be performed.

OPERATING INSTRUCTIONS

FOR YOUR SAFETY READ BEFORE LIGHTING

This appliance must be installed in accordance with local codes, if any; if not, follow the current CAN1-B149/ANSI Z223.1-1980

WARNING: If you do not follow these instructions exactly, a fire or explosion may result causing property damage, personal injury or loss of life. Improper installation, adjustment, alteration, service or maintenance can cause injury or property damage. Refer to the owner's information manual provided with this appliance. For assistance or additional information consult a qualified installer, service agency or gas supplier.

A) This appliance has a pilot which must be lighted by hand. When lighting the pilot, follow these instructions exactly.

B) **BEFORE LIGHTING** smell all around the appliance area for gas. Be sure to smell next to the floor because some gas is heavier than air and will settle on the floor.

WHAT TO DO IF YOU SMELL GAS

- Do not try to light any appliance
- Do not touch any electric switch, do not use any phone in your building
- Immediately call your gas supplier from a neighbour's phone. Follow the gas supplier's instructions.
- If you cannot reach your gas supplier, call the fire department.

C) Use only your hand to push in or turn the gas control knob. Never use tools. If the knob will not push in or turn by hand, don't try to repair it, call a qualified service technician. Force or attempted repair may result in a fire or explosion.


D) Do not use this appliance if any part has been under water. Immediately call a qualified service technician to inspect the appliance and to replace any part of the control system and any gas control which has been under water.

This appliance needs fresh air for safe operation and must be installed so there are provisions for adequate combustion and ventilation air.

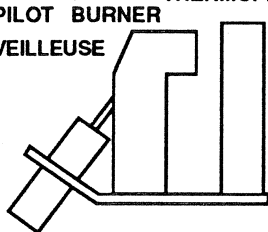
CAUTION: Hot while in operation. Do not touch. Due to high surface temperatures keep children, clothing and furniture, away. Keep burner and control compartment clean. See installation and operating instructions accompanying appliance.

LIGHTING INSTRUCTIONS

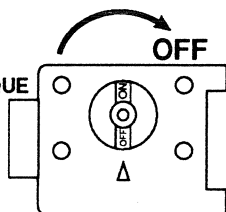
STOP! Read the safety information above on this label.

1) Push in gas control knob slightly and turn clockwise  to "OFF". Knob cannot be turned from "PILOT" to "OFF" unless knob is pushed in slightly. Do not force.


PILOT BURNER VEILLEUSE




THERMOPILE
ELEMENT
THERMO-
ELECTRIQUE



2) Wait five (5) minutes to clear out any gas. If you then smell gas **STOP!** follow "B" in the safety information above on this label. If you don't smell gas, go to the next step.

3) Turn knob on gas control counterclockwise  to "PILOT".
4) Push in control knob all the way and hold in. Immediately push red button on spark igniter until pilot lights. Continue to hold the control knob in for about 1/2 minute after the pilot is lit. Release knob and it will pop back up. Pilot should remain lit. If it goes out, repeat steps 3) and 4).

If knob does not pop up when released, stop and immediately call your service technician or gas supplier. If the pilot will not stay lit after several tries, turn the gas control knob to "OFF" and call your service technician or gas supplier.

5) Turn gas control knob counterclockwise  to "ON".
6) Use rocker switch to operate main burner.

TO TURN OFF GAS APPLIANCE

1) Push in the gas control knob slightly and turn clockwise  to "OFF". Do not force.

2) Turn off all electric power to the appliance if service is to be performed.

DO NOT REMOVE THIS INSTRUCTION PLATE

Lighting Instruction Plate

MAINTENANCE

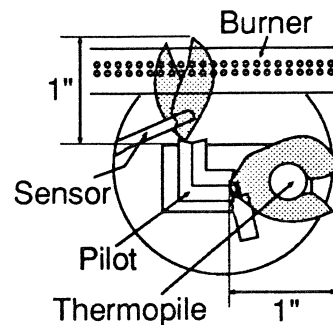
MAINTENANCE

- 1) Always turn gas cock on valve to OFF before cleaning. For re-lighting, refer to lighting instructions.
- 2) Clean glass (never when unit is hot) and appliance, faceplate and louvers with a damp cloth. Never use an abrasive cleaner. The gold bond louvers or gold bond faceplate may be scratched if abrasives are used to clean them.

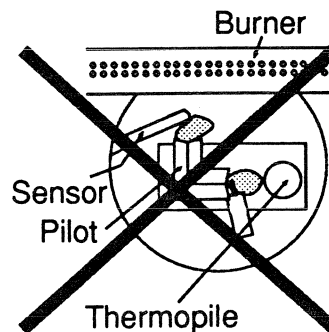
The heater is finished in a heat resistant paint and should not be refinished with wall paint.

- 3) Keep control compartment, logs, burners and area surrounding the logs clean by vacuuming or brushing at least twice a year.
- 4) The appliance and venting system should be inspected before use or at least annually by a qualified field service person.
- 5) Always keep the appliance area clear and free from combustible materials, gasoline and other flammable vapors and liquids.
- 6) Never obstruct the flow of combustion and vent-

Top View of pilot flame.



Correct flame pattern has two strong blue flames: 1 licking around the thermopile, and 1 licking around the sensor and across the burner.



Incorrect flame pattern will have small, probably yellow flames, not coming into proper contact with the burner or thermopile.

WARRANTY

Regency Fireplace products are designed and assembled with reliability and simplicity as a prime objective. As an international company supplying Fireplace Products throughout the U.S. and Canadian markets our approach has been to minimize service problems by accelerating our extensive quality assurance program to provide an even higher standard of product. Regency Industries Ltd. is pleased to extend to the original purchaser of a Regency Zero Clearance Direct Vent Gas Fireplace, a 5 warranty subject to the conditions listed below.

Note: Discoloration and some minor movement of certain parts is normal and is not a defect and therefore not covered under warranty. Overfiring of any appliance can cause serious damage and it is the responsibility of the installer to ensure that the appliance is firing as per rating plate.

ELECTRICAL COMPONENTS

Electrical components & valves are warranted for 1 year from purchase date.

Note: Any part or parts which in our judgement show evidence of such defects will, at our option, be repaired or replaced through an accredited distributor or agent, provided that the defective part(s) is shipped back PREPAID to the distributor or agent.

CONDITIONS & EXCLUSIONS

The serial # of the unit must be supplied along with the bill of sale, showing date of purchase, at time of claim being submitted. This unit must be installed by a Qualified Gas Fitter: **any service call related to improper installation will not be honored.** **The appliance must be installed according to the installation instructions provided.**

Products made by other manufacturers and used in conjunction with the operation of this appliance may nullify your warranty. Regency Industries Ltd. shall in no event be liable for any special, indirect, consequential damages of any nature whatsoever which are in excess of the original purchase price of the product.

The warranty will not extend to paint, glass, termination kit, logs, burners or trim. The warranty will not extend to any part which has been tampered with or altered in any way, or in our judgement has been subjected to misuse, negligence or accident.

Complete the following information for future reference: Serial No. _____
Date Purchased _____ Model _____
Dealer's Name and Address _____

REGENCY INDUSTRIES LIMITED
7830 Vantage Way
Delta, BC. V4G 1A7

Customer: Please fill out and Mail.
This will establish your Regency Warranty.

Date _____

Name _____

Address _____

City _____

Prov. or State _____ Postal Code/Zip Code _____

Dealer's Name _____

Address _____

Model _____ Serial No. _____

Free Manuals Download Website

<http://myh66.com>

<http://usermanuals.us>

<http://www.somanuals.com>

<http://www.4manuals.cc>

<http://www.manual-lib.com>

<http://www.404manual.com>

<http://www.luxmanual.com>

<http://aubethermostatmanual.com>

Golf course search by state

<http://golfingnear.com>

Email search by domain

<http://emailbydomain.com>

Auto manuals search

<http://auto.somanuals.com>

TV manuals search

<http://tv.somanuals.com>