

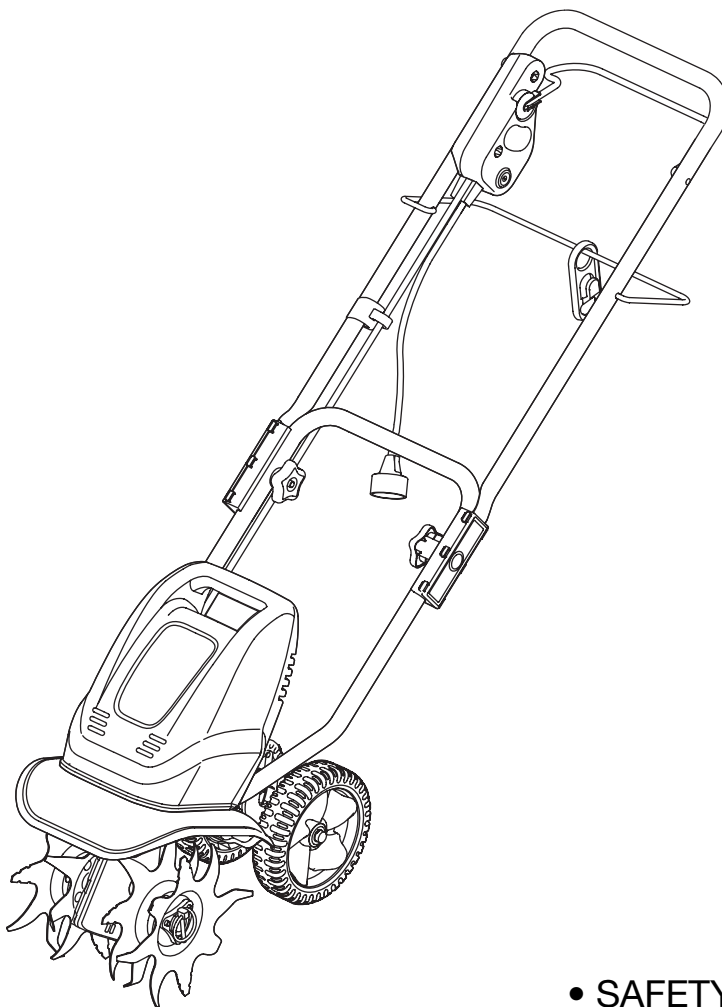
Operator's Manual

CRAFTSMAN®

Electric

CULTIVATOR

Model No. C459.627020



CAUTION: Before using this product, read this manual and follow all safety rules and operating instructions.

- SAFETY
- ASSEMBLY
- OPERATION
- MAINTENANCE
- PARTS LIST
- FRANCAIS, p. F1
- ESPAÑOL, p. E1

Sears Canada Inc., 222 Jarvis Street, Toronto ON M5B 2B8
Visit our website: www.sears.ca

769-03581

RULES FOR SAFE OPERATION

The purpose of safety symbols is to attract your attention to possible dangers. The safety symbols, and their explanations, deserve your careful attention and understanding. The safety warnings do not by themselves eliminate any danger. The instructions or warnings they give are not substitutes for proper accident prevention measures.


TABLE OF CONTENTS

Safety Rules	2
Warranty	4
Know Your Cultivator	5
Assembly Instructions	6
Starting/Stopping Instructions	8
Operating Instructions	9
Maintenance and Repair Instructions	10
Troubleshooting Chart	11
Specifications	11
Parts List	12
Service Numbers	14


Read the Operator's Manual and follow all warnings and safety instructions. Failure to do so can result in serious injury to the operator and/or bystanders.


**FOR QUESTIONS, CALL
1-800-4-MY-HOME®**


SYMBOL MEANING

	SAFETY ALERT SYMBOL: Indicates danger, warning, or caution. Attention is required in order to avoid serious personal injury. May be used in conjunction with other symbols or pictographs.
---	---

NOTE: Advises you of information or instructions vital to the operation or maintenance of the equipment.


	DANGER: Failure to obey a safety warning will result in serious injury to yourself or to others. Always follow the safety precautions to reduce the risk of fire, electric shock, and personal injury.
---	---

	WARNING: Failure to obey a safety warning can result in injury to yourself and others. Always follow the safety precautions to reduce the risk of fire, electric shock, and personal injury.
---	---


	CAUTION: Failure to obey a safety warning may result in property damage or personal injury to yourself or to others. Always follow the safety precautions to reduce the risk of fire, electric shock, and personal injury.
---	---

NOTE: Advises you of information or instructions vital to the operation or maintenance of the equipment.

• IMPORTANT SAFETY INSTRUCTIONS •

	WARNING: When using electric gardening appliances, basic safety precautions should always be followed to reduce the risk of fire, electric shock, and personal injury, including the following:
--	--


TRAINING

	WARNING: When using the unit, you must follow the safety rules. Please read these instructions before operating the unit in order to ensure the safety of the operator and any bystanders. Please keep these instructions for later use.
--	---

- Read, understand, and follow all instructions on the machine and in the manual(s) before attempting to assemble and operate. Be thoroughly familiar with the controls and the proper use of the cultivator. Keep this manual in a safe place for future and regular reference and for ordering replacement parts.
- Be familiar with all controls and their proper operation. Know how to stop the machine and disengage tines quickly.
- Never allow children under 14 years old to operate this machine. Children 14 years old and over should read and understand the operation instructions and safety rules in this manual and should be trained and supervised by a parent.
- Never allow adults to operate this machine without proper instruction.
- Keep bystanders, helpers, pets, and children at least 50 feet from the machine while it is in operation. Stop machine if anyone enters the area.

PREPARATION

- Thoroughly inspect the area where the equipment is to be used. Remove all stones, sticks, wire, and other foreign objects which could be tripped over and cause personal injury.


	WARNING: To reduce risk of electric shock use only UL Listed extension cord suitable for outdoor use, such as Type SW-A, SOW-A, STW-A, STOW-A, SJW-A, SJOW-A, SJTW-A, or SJTOW-A.
--	--

- Extension Cord—Make sure your extension cord set is in good condition, is heavy enough to carry the current your cultivator will draw.

MINIMUM WIRE SIZE FOR EXTENSION CORDS FOR 120 VOLT APPLIANCES USING 6-10 AMPS				
Cord Length (ft.)	25	50	100	150
Wire Size (AWG)	18	16	14	12

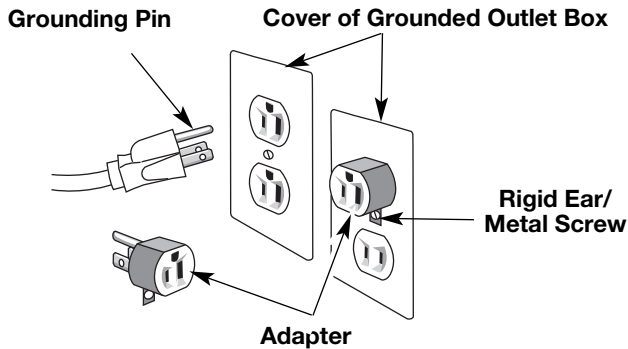
If in doubt, use the next heavier gage cord. The smaller the gage number, the heavier the cord. An undersized cord will cause a drop in line voltage resulting in loss of power and overheating. To reduce the likelihood of disconnection of the extension cord set from the cultivator, be sure to use the cord restraint provided.

- If extension cord is damaged in any manner while plugged in, disconnect extension cord from house receptacle.
- Inspect cultivator cord periodically, and if damaged, have it repaired by an authorized service facility. Inspect extension cord periodically and replace if damaged.

	WARNING: Do not change the plug on the cultivator in any way.
---	--

- Dress properly. Wear sturdy, rough-soled work shoes and close-fitting slacks and shirts. Loose fitting clothes or jewelry can be caught in movable parts. Never operate this machine in bare feet or sandals. Use of rubber gloves is recommended when working outdoors. Wear protective hair covering to contain long hair.
- Wear safety glasses or goggles when operating this unit. Wear a face or dust mask if the operation is dusty. Such protective equipment is available from your authorized service dealer or retailer.
- Use the right tool. Do not use cultivator for any job except that for which it is intended.

RULES FOR SAFE OPERATION



- **Grounding Instructions**—The cultivator should be grounded while in use to reduce the risk of electric shock to the operator. The cultivator is equipped with a three-conductor cord and a three-prong grounding plug to fit the proper grounding receptacle. The green (or green and yellow) wire conductor in the cord is the grounding wire. Never connect the green (or green and yellow) wire to a live terminal. The green-colored rigid ear, lug, or the like, must be connected to a permanent ground, such as a properly grounded outlet box.
- Use only three-wire outdoor extension cords that have three-prong grounding plugs and grounding receptacles that accept the cultivator's plug.
- Keep handle dry, clean, and free from oil and grease.
- **Fuses**—The cultivator should be operated on a 15 or 20 AMP circuit. If difficulty in starting is experienced with a standard 15 AMP fuse or circuit breaker or the cultivator's built-in overload protection switch frequently trips, contact your nearest authorized service location. Do not use a higher rated fuse without consulting your power company.
- Ground Fault Circuit Interrupter (GFCI) protection should be provided on the circuit(s) or outlet(s) to be used for the cultivator. Receptacles are available having built-in GFCI protection and may be used for this measure of safety.
- Never attempt to make any adjustments while motor is running.

OPERATION

- Avoid dangerous environment. Don't use cultivator in damp or wet locations.
- Don't use the cultivator in the rain.
- Do not operate cultivator on excessively steep slopes.
- Avoid unintentional starting. Don't carry plugged-in cultivator with your hands/fingers on the motor starting controls.
- Do not abuse cord. Never pull or carry the cultivator by cord or yank the cord to disconnect it from the receptacle. Keep cord away from heat, oil, and sharp edges.
- If extension cord is damaged in any manner while plugged in, disconnect extension cord from house receptacle.
- Do not put hands or feet near rotating parts. Contact with the rotating parts can amputate fingers, hands, and feet.
- Do not operate machine while under the influence of alcohol or drugs.
- Only operate cultivator in daylight or good artificial light. Don't overreach. Keep proper footing and balance and a firm hold on the handle at all times.
- Stay alert. Watch what you are doing. Use common sense. Do not operate cultivator when you are tired.
- Don't force cultivator. It will do a better job and with less likelihood of a risk of injury if operated at the rate for which it was designed.
- Keep bystanders, helpers, pets, and children at least 50 feet from the machine while it is in operation. Stop machine if anyone enters the area.
- Be careful when cultivating in hard ground. The tines may catch in the ground and propel the cultivator forward. If this occurs, let go of the handle and do not restrain the machine.
- Never operate the machine at high transport speeds on hard or slippery surfaces.

- Exercise caution to avoid slipping or falling.
- Look down, behind, and use care when pulling machine towards you.
- Start the motor according to the instructions found in this manual and keep feet well away from the tines at all times.
- After striking a foreign object, stop the motor and disconnect the power cord to prevent accidental starting. Thoroughly inspect the machine for any damage. Repair the damage before starting and operating.
- Stop the motor, disconnect the power cord to prevent accidental starting and wait until the tines come to a complete stop before unclogging the tines, making any adjustments, or inspections.
- Use caution when cultivating near fences, buildings and underground utilities. Rotating tines can cause property damage or personal injury.
- Do not overload machine capacity by attempting to cultivate soil too deep or too fast of a rate.
- If the machine should start making an unusual noise or vibration, stop the motor and disconnect the power cord to prevent accidental starting. Inspect machine thoroughly for damage. Repair any damage before starting motor and operating.
- Keep all shields, guards and safety devices in place and operating properly.
- To avoid an electrical shock hazard, never push or pull the cultivator over the electrical cord while operating.
- When picking up the cultivator, use the handle provided. Don't grasp the tines when picking up or holding the cultivator. Never pick up or carry machine while the motor is running.
- Use only attachments and accessories approved by the cultivator manufacturer. Failure to do so can result in personal injury and/or damage to your cultivator.
- If situations occur which are not covered in this manual, use care and good judgment.

MAINTENANCE AND STORAGE

- Never tamper with safety devices. Check their proper operation regularly.
- Check bolts and screws for proper tightness at frequent intervals to keep the machine in safe working condition. Also, visually inspect machine for any damage.
- Before leaving the equipment, changing tine width, cleaning, repairing, making adjustments and the like, stop the motor, disconnect the power cord to prevent accidental starting and make certain the tines and all moving parts have stopped.
- Do not wash cultivator with a hose. Avoid getting water on motor and electrical connections
- Maintain or replace safety and instruction labels, as necessary.
- Follow this manual for safe loading, unloading, transporting, and storage of this machine.
- Always refer to the operator's manual for proper instructions on off-season storage. When not in use, cultivator should be stored indoors in a dry, and high or locked-up place out of the reach of children.
- Maintain cultivator with care. Follow instructions for lubrication and cleaning.
- Check for damaged parts. Before further use, a guard or other part that is damaged should be carefully checked to determine that it will operate properly and perform its intended function. Check alignment of moving parts, binding of moving parts, breakage of parts, mounting, and any other condition that may affect its operation. A guard or other part that is damaged should be properly repaired or replaced by an authorized service center.

SAVE THESE INSTRUCTIONS



WARNING: Restrict the use of this power machine to persons who read, understand and follow the warnings and instructions in this manual and on the machine.

RULES FOR SAFE OPERATION

SAFETY AND INTERNATIONAL SYMBOLS

This operator's manual describes safety and international symbols and pictographs that may appear on this product. Read the operator's manual for complete safety, assembly, operating and maintenance and repair information.

SYMBOL

MEANING



• SAFETY ALERT SYMBOL

Indicates danger, warning or caution. May be used in conjunction with other symbols or pictographs.

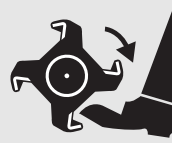


• READ OPERATOR'S MANUAL

WARNING: Read the operator's manual(s) and follow all warnings and safety instructions. Failure to do so can result in serious injury to the operator and/or bystanders.

SYMBOL

MEANING



• GARDEN CULTIVATORS – ROTATING TINES CAN CAUSE SEVERE INJURY

WARNING: Stop the motor, unplug the extension cord, and allow the tines to stop before removing tines, or before cleaning or performing any maintenance. Keep hands and feet away from rotating tines.

WARRANTY STATEMENT

CRAFTSMAN FULL WARRANTY

If this Craftsman product fails due to a defect in material or workmanship within two years from the date of purchase, return it to any Sears store, Parts and Repair Service Center, or other Craftsman outlet in the United States for free repair (or replacement if repair proves impossible). This warranty applies for only 90 days if this product is ever used for commercial or rental purposes.

This warranty covers ONLY defects in material or workmanship. Sears will NOT pay for:

- Expendable items that can wear out from normal use within the warranty period, such as tines or filters.
- Preventive maintenance, or repairs necessary because of accident or failure to operate or maintain the product according to all supplied instructions.

This warranty gives you specific legal rights, and you may also have other rights which vary from state to state.

Sears Canada Inc., 222 Jarvis Street, Toronto ON M5B 2B8

Repair Protection Agreements

Congratulations on making a smart purchase. Your new Craftsman® product is designed and manufactured for years of dependable operation. But like all products, it may require repair from time to time. That's when having a Repair Protection Agreement can save you money and aggravation.

Here's what the Repair Protection Agreement* includes:

- Expert service** by our 10,000 professional repair specialists
- Unlimited service and no charge** for parts and labor on all covered repairs
- Product replacement** up to \$1500 if your covered product can't be fixed
- Discount of 10%** from regular price of service and related installed parts not covered by the agreement; also, 10% off regular price of preventive maintenance check
- Fast help by phone** – we call it Rapid Resolution – phone support from a Sears representative. Think of us as a “talking owner's manual.”

Once you purchase the Repair Protection Agreement, a simple phone call is all that it takes for you to schedule service. You can call anytime day or night, or schedule a service appointment online.

The Repair Protection Agreement is a risk-free purchase. If you cancel for any reason during the product warranty period, we will provide a full refund. Or, a prorated refund any time after the product warranty period expires. Purchase your Repair Protection Agreement today!

Some limitations and exclusions apply. For prices and additional information in the U.S.A. call 1-800-827-6655.

***Coverage in Canada varies on some items. For full details call Sears Canada at 1-800-361-6665.**

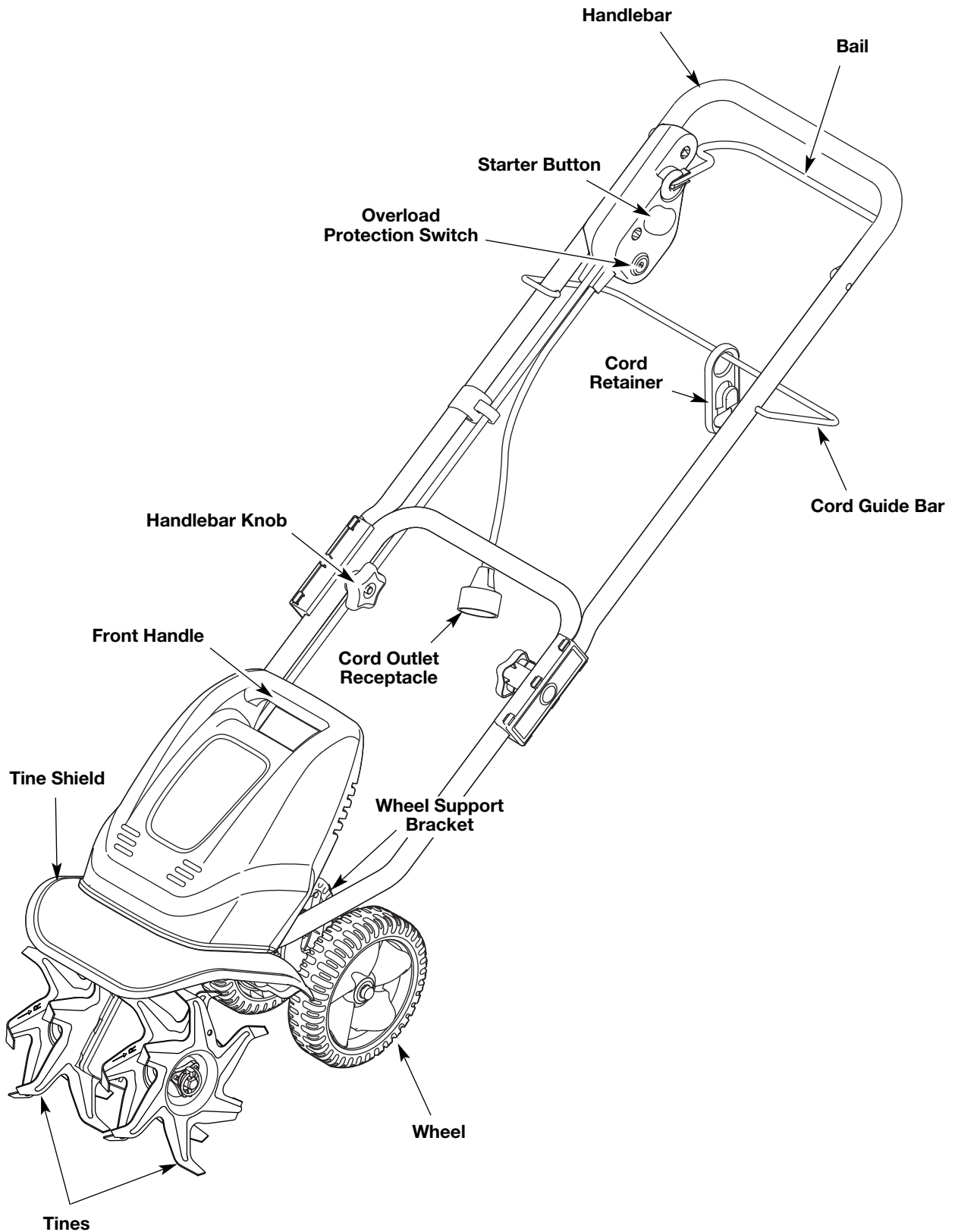
Sears Installation Service

For Sears professional installation of home appliances, garage door openers, water heaters, and other major home items, in the U.S.A. or Canada call **1-800-4-MY-HOME®**.

KNOW YOUR CULTIVATOR

APPLICATIONS

- Cultivating sod and light to medium soil
- Cultivating in garden areas, around trees, etc.



ASSEMBLY INSTRUCTIONS

ASSEMBLING THE HANDLEBARS



WARNING: To prevent serious personal injury, do not connect electric extension cord to unit until fully completing cultivator assembly.

Before you can operate the unit, you must install the handlebars.

1. When you unpack the unit, hold the handle bar in the position shown in Figure 1 and slide it onto the lower bars.
2. Align the holes in the handlebar with the holes in the lower bars and insert the bolts through those holes.
3. Hold the handle in place while screwing the knobs onto the bolts (Fig. 2).
4. Tighten the knobs to secure the handlebars in place.

NOTE: Do not over-tighten the knobs.

5. Check to make sure the bail is assembled into the switch assembly (Fig. 1, Inset A).

NOTE: Take care not to pinch the switch cable when positioning the handlebars.

6. Clip the switch cable to the cable restraint on the lower bar as shown in Figure 1, Inset B.

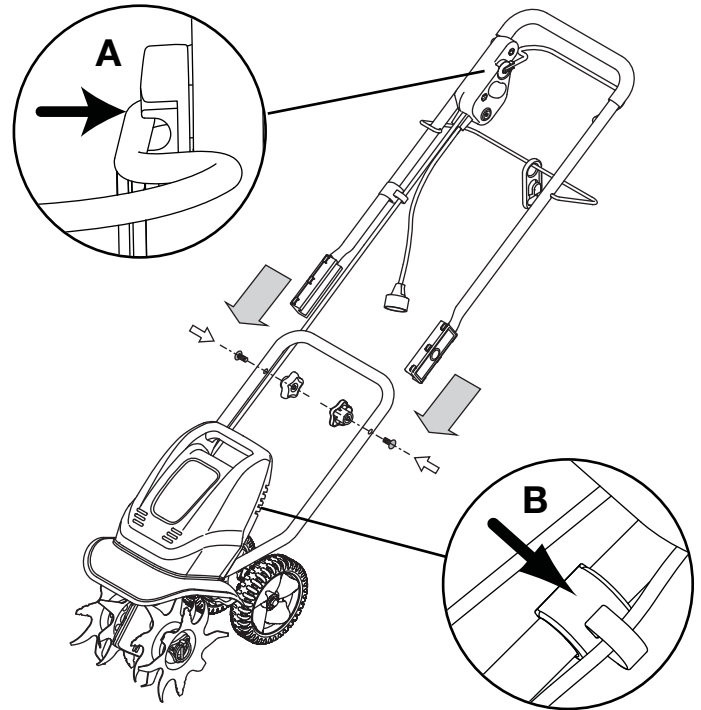


Fig. 1

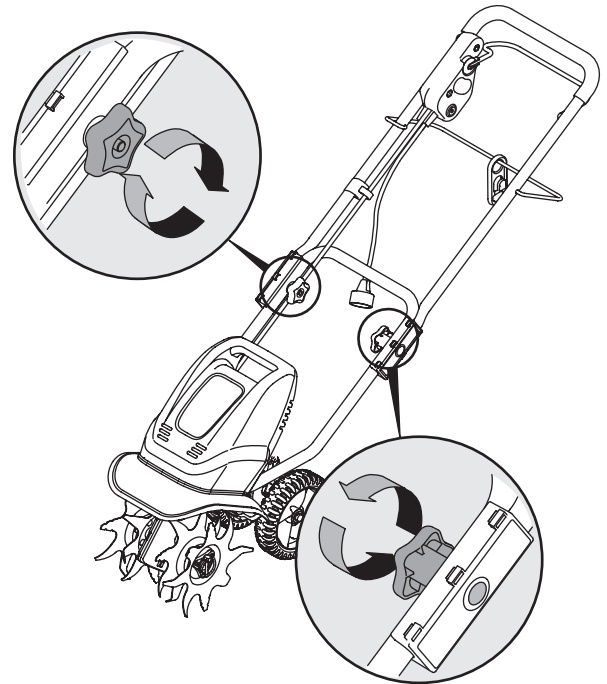


Fig. 2

ASSEMBLY INSTRUCTIONS

USING THE CORD RETAINER

There is an extension cord retainer to prevent the extension cord from disconnecting during use. The retainer hangs from the cord guide bar.

NOTE: Do not plug the extension cord into the power source receptacle until the cord is connected to the cord retainer and plugged into the unit.

To use the cord retainer:

1. Fold the extension cord in half, forming a tight loop near the receptacle.
2. Push the loop through the bottom hole in the retainer (Fig. 3).

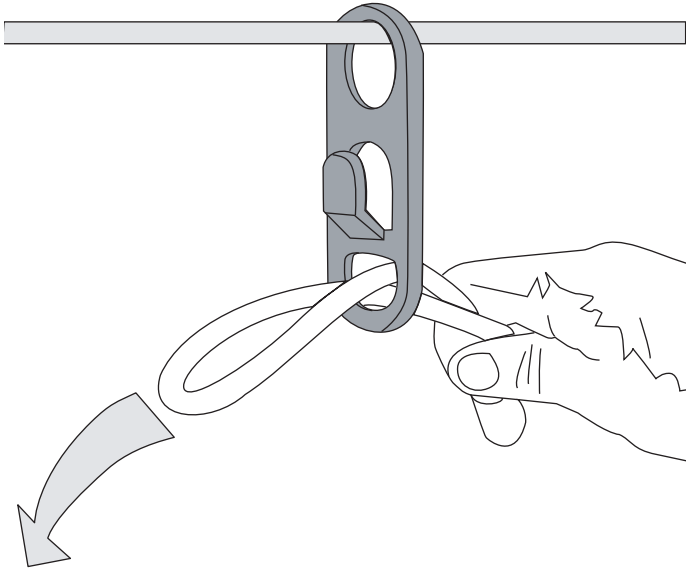


Fig. 3

3. Slide the loop over the retaining clip and pull down until the cord fits snugly (Fig. 4).

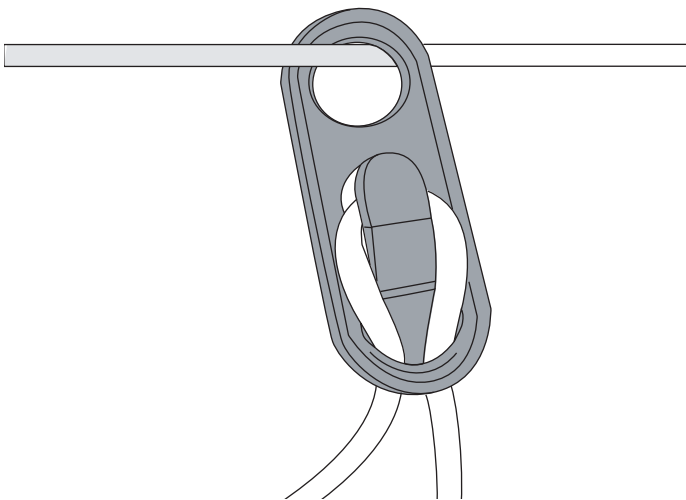


Fig. 4

NOTE: Use a UL-approved extension cord. A 100-foot, 14-gauge cord is recommended. A 50-foot, 16-gauge cord is acceptable.

The cord retainer keeps the extension cord safely to the side of the operator by sliding to the left and right on the guide bar as the unit is moved. Connect your extension cord to the unit as shown in Figure 5.

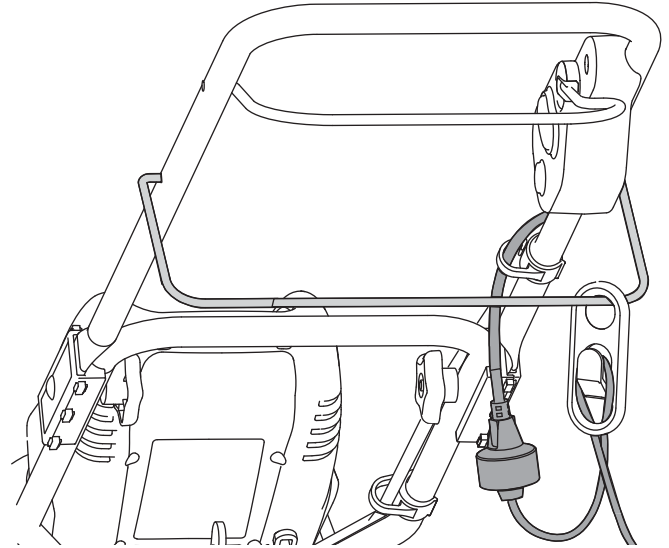


Fig. 5

STARTING / STOPPING INSTRUCTIONS

STARTING INSTRUCTIONS



WARNING: Avoid accidental starting. Make sure you are in the operating position behind the cultivator when using it. To avoid serious injury, the operator and unit should be in a stable position while starting.

Connecting to an Electrical Power Source

NOTE: Connect your extension cord to the cultivator as instructed on the previous page prior to plugging your extension cord into an electrical outlet.

1. Plug your extension cord into any convenient (indoor or outdoor) 120-volt, 60-cycle AC grounded outlet or receptacle. Your cultivator will operate satisfactorily on a circuit with a 15 ampere breaker.

NOTE: To avoid tripping circuit breakers, select an outlet on a circuit that is not overloaded. Do NOT select an outlet that is on a circuit hosting appliances such as a refrigerator.

2. Stand behind the cultivator, in the operating position.
3. Pivot the cultivator slightly toward the rear, so that its weight is resting on the wheels and the tines are NOT in contact with the ground
4. Depress the (red) starter button and hold it in (Fig. 6, no. 1).

NOTE: Starting the cultivator's motor also starts tilling action.

5. While holding the starter button in, pivot the bail upward against the handle bar (Fig. 6, no. 2) to start the motor and engage the tines.

NOTE: The cultivator's motor will NOT start if you fail to hold the starter button in while pivoting the bail upward.

6. Release the (red) starter button and grasp the handle and bail together with both hands (Fig. 7).

STOPPING INSTRUCTIONS

1. Release the bail.
2. The starter button will pop out, the bail will pivot downward and the motor will stop.

OVERLOAD PROTECTION SWITCH

This cultivator is equipped with an overload protection switch to prevent overheating damage to the motor. If the overload protection switch pops out:

1. Release the bail and do NOT re-start the cultivator for at least one minute, allowing for the electric motor time to cool.
2. Press the overload protection switch inward to reset (Fig. 6, no. 3).

If the overload protection switch pops out shortly after resetting:

1. Release the bail and do NOT re-start the cultivator for at least 15 minutes to allow the electric motor extra time to cool.
2. Press the overload protection switch inward to reset and restart unit.

NOTE: If the overload protection switch pops out repeatedly during operation or will not remain in when attempting to reset, contact your Sears Parts and Repair Center to arrange for repair.

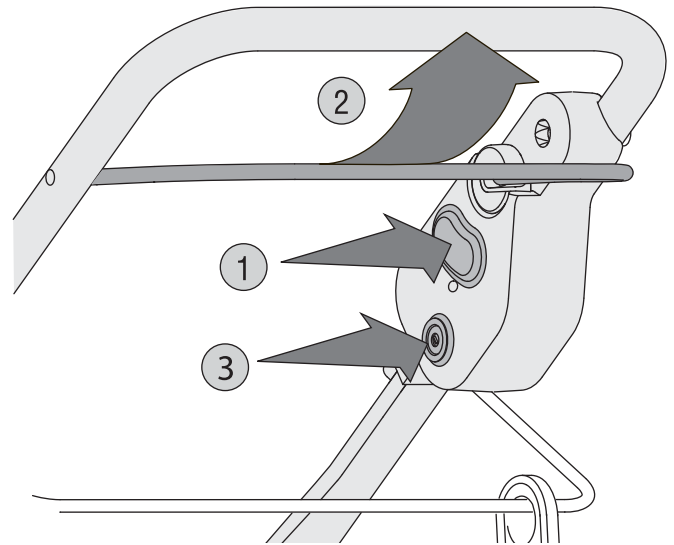


Fig. 6



Fig. 7

OPERATING INSTRUCTIONS

ADJUSTING THE WHEEL SUPPORT BRACKET



WARNING: Avoid accidental starting. Stop motor and disconnect extension cord prior to adjusting the wheel support bracket.

To adjust the wheel support bracket, proceed as follows:

1. Remove cotter pin from the clevis pin and slide pin out of tailpiece bracket (Fig. 8).

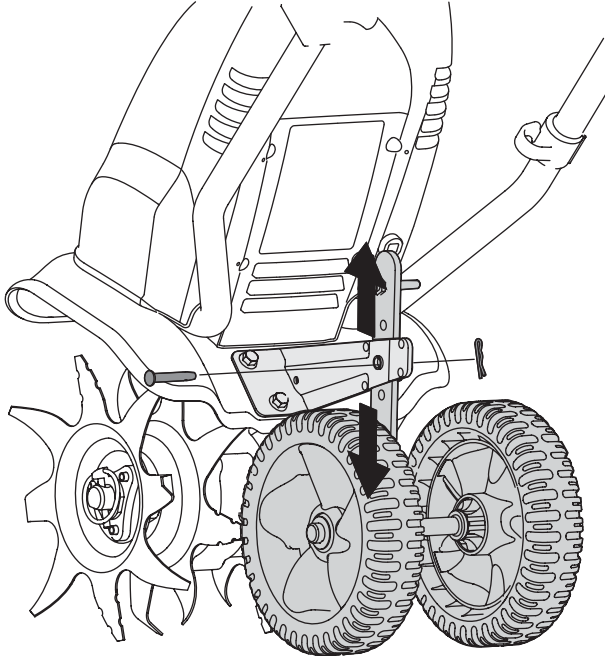


Fig. 8

2. Slide the wheel support bracket up or down in the tailpiece, aligning the holes to the desired height.
3. Place the clevis pin through the hole and secure with a cotter pin.

USING YOUR CULTIVATOR



WARNING: Never pick up or carry the unit while the engine is running. Serious personal injury could result.

1. Move the cultivator to the work area prior to starting the motor. Transport the cultivator by pushing or pulling it along on its wheels. Or you may choose to carry the cultivator by its front handle.
2. Start the cultivator following all steps under STARTING INSTRUCTIONS on the previous page.
3. With both hands on the upper handle, slowly pivot the cultivator forward until the tines make contact with the soil.



WARNING: Avoid risk of injury. Keep the extension cord clear of the tilling path at all times. Do not allow the tines to contact the extension cord.

4. Once the tines are in the ground, cultivate at a moderate pace until you are familiar with the controls and the handling of the cultivator.
- NOTE:** Be aware of the extension cord's location at all times. Never allow the cultivator's tines to come into contact with the extension cord while operating.
5. To adjust the cultivating depth, adjust the wheel support bracket. See Adjusting The Wheel Support Bracket.

NOTE: For cultivation, a two to three inch depth is desirable. When laying out plant rows, be sure to allow enough width to permit cultivation between the rows.

MAINTENANCE AND REPAIR INSTRUCTIONS



WARNING: To prevent serious injury, never perform maintenance or repairs with unit running. Always service and repair a cool unit.



WARNING: Avoid accidental starting. Stop motor and disconnect extension cord prior to performing any maintenance or repairs.

REMOVING AND REPLACING TINES

Cultivator tines are subject to wear and should be replaced if any signs of damage are present. Tines should also be removed and cleaned after each use.



WARNING: Cultivator tines are sharp. Always wear leather gloves to protect your hands when handling tines.

To replace the cultivator's tines:

1. Remove the click pin found at the end of each tine shaft.

NOTE: Each tine assembly is stamped either "A" or "B" (Fig. 9). Note each tine's location on the shaft for easier reassembly.



WARNING: Do not wash cultivator with a hose. Avoid getting water on motor and electrical connections.

2. Carefully remove each tine assembly from the tine shafts.
3. Wipe each tine shaft clean with a damp cloth and apply a light coat of oil (i.e. 3-N-One) or silicon-based lubricant to each shaft. Do NOT use WD-40.
4. Rinse each tine assembly with water and thoroughly dry each it before placing on tine shaft.
5. Re-insert each click pin to secure the tine assemblies in place.

Tips for Replacing Tines

- Each tine shaft holds one tine assembly stamped "A" and one tine assembly stamped "B".
- The bell sides of both tine assemblies (on each shaft) should face each other (Fig. 9).
- The hub of each tine assembly (Fig. 9) should face outward (away from the cultivator's gearbox).

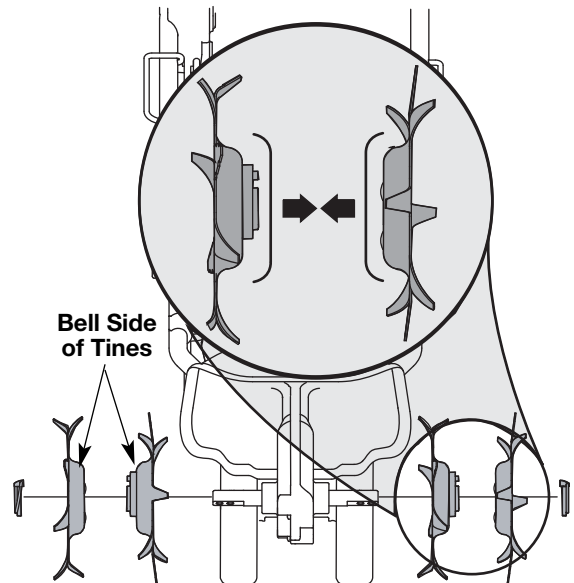
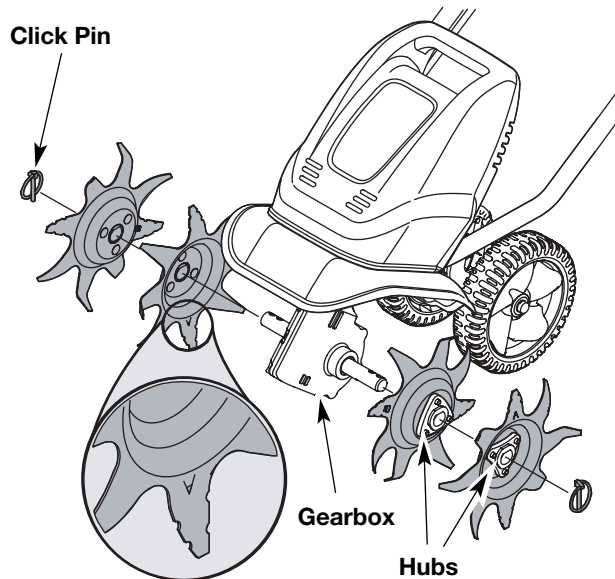


Fig. 9

TROUBLESHOOTING

MOTOR WILL NOT START

CAUSE

Unit is unplugged

Starter button or bail improperly used

Overload protection switch has popped out

ACTION

Make sure that extension cord is securely plugged into cultivator's cord outlet receptacle on one end and a 110V outlet on the opposite end.

Press starter button and hold it in while squeezing bail against the handle.

Depress overload protection switch. Follow starting instructions

NEED MORE HELP?

You'll find the answer and more on managemyhome.com – for free!

- Find this and all your other product manuals online.
- Get answers from our team of home experts.
- Get a personalized maintenance plan for your home.
- Find information and tools to help with home projects.

manage my home

brought to you by Sears

SPECIFICATIONS

MOTOR

Engine Type	AC 120 Volts Electric
Operating RPM	up to 8,000 rpm
Ignition Switch	Bail Lock Safety Button
Amperage	.6.5 Amps
Overload Protection	120 V 5 amp Breaker

CULTIVATOR*

Drive Shaft Tube	Steel Tube
Handle	Steel Tube
Cultivating Path Width (Maximum)	9 inches (22.86 cm)
Cultivating Depth (Maximum)	6 inches (15.24 cm)
Approximate Weight (no fuel)	27 lb. (12.25 kg)

* All specifications are based on the latest product information available at the time of printing. We reserve the right to make changes at any time without notice.

Get it fixed, at your home or ours!

Just Call:

1-800-4-MY-HOME[®]

(1-800-469-4663)

24 hours a day, 7 days a week

For the repair of major brand appliances **in your own home...**
no matter who made it, no matter who sold it!

For your nearest **Sears Parts and Service** location,
to bring in products like vacuums, lawn equipment and electronics.

For **Sears Parts & Service**, to order the replacement parts,
accessories and owner's manuals that you need to do-it-yourself.

www.sears.ca

To purchase or inquire about a Sears Maintenance Agreement, call:

1-800-361-6665

9 a.m. – 11 p.m. Mon. – Fri., EST, 9 a.m. – 4 p.m. Sat.

Pour service en français:

1-800-LE-FOYER^{MC}

(1-800-533-6937)

www.sears.ca



02488

® / ™ Trademarks of Sears, Roebuck and Co. used under license by Sears Canada

^{MD} Marque déposée / ^{MC} Marque de commerce de Sears, Roebuck and Co. utilisée en vertu d'une licence de Sears Canada

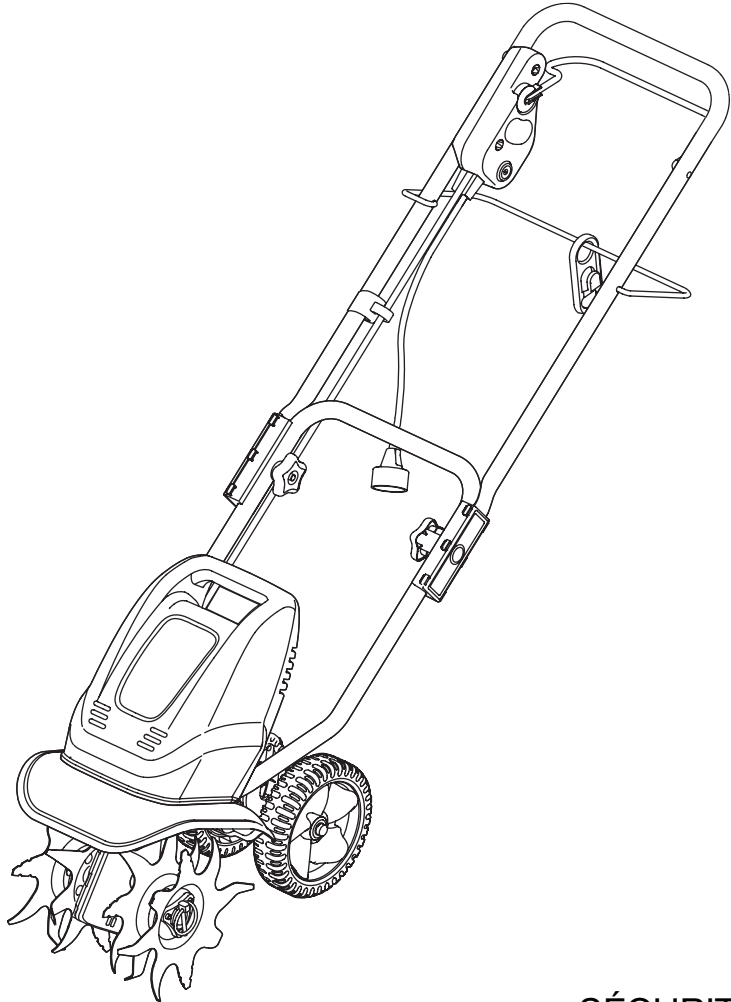
Manuel de l'utilisateur

CRAFTSMAN®

Électrique

MOTOBINEUSE DE JARDIN

Modèle No. C459.627020



MISE EN GARDE: Avant d'utiliser ce produit, lisez ce manuel de l'utilisateur et suivez toutes les instructions de sécurité et d'utilisation.

- SÉCURITÉ
- MONTAGE
- MODE D'EMPLOI
- ENTRETIEN
- LISTE DES PIÈCES
- ESPAGNOL, p. E1

Sears Canada Inc., 222 Jarvis Street, Toronto ON M5B 2B8
Visite votre site web: www.sears.ca

769-03581

CONSIGNES DE SÉCURITÉ

Les symboles de sécurité attirent votre attention sur des dangers potentiels. Ces symboles et leurs détails explicatifs méritent que vous les lisiez et compreniez bien. Les avertissements de sécurité ne peuvent éviter les dangers de par eux-mêmes. Les consignes ou mises en garde qu'ils donnent ne remplacent pas des mesures préventives appropriées contre les accidents.

TABLE DES MATIÈRES

Consignes de sécurité	F2
Garantie	F4
Familiarisez-vous avec votre appareil	F5
Instructions de montage	F6
Instructions de démarrage et d'arrêt	F8
Mode d'emploi	F9
Dépannage	F11
Caractéristiques	F11
Déclaration de garantie du California	F12
Liste des pièces	E14
Numéros de service	Extérieure de la couverture arrière

Lisez le(s) manuel(s) de l'utilisateur et suivez tous les avertissements et consignes de sécurité. Vous pourriez à défaut entraîner des blessures graves pour vous ou d'autres personnes.

**SI VOUS AVEZ DES QUESTIONS, APPELEZ LE
1-800-LE-FOYER^{MR}**

SYMBOLE SIGNIFICATION



ALERTE DE SÉCURITÉ: indique un danger, un avertissement ou une mise en garde. Soyez vigilant afin d'éviter toute blessure grave. Ce symbole peut être combiné à d'autres symboles ou pictogrammes.

REMARQUE: donne des informations ou des instructions vitales pour le fonctionnement ou l'entretien de l'équipement.



DANGER: le non-respect d'un avertissement peut causer dommages matériels ou blessures graves pour tous. Respectez les consignes de sécurité afin de réduire les risques d'incendie, d'électrocution et de blessures.



AVERTISSEMENT: le non-respect d'un avertissement peut causer dommages matériels ou blessures graves pour tous. Respectez les consignes de sécurité afin de réduire les risques d'incendie, d'électrocution et de blessures.



MISE EN GARDE: le non-respect d'un avertissement peut causer dommages matériels ou blessures graves pour tous. Respectez toujours les consignes de sécurité afin de réduire les risques d'incendie, d'électrocution et de blessures.

• IMPORTANTES INSTRUCTIONS DE SÉCURITÉ •

AVERTISSEMENT : lors de l'utilisation d'appareils électriques de jardin, les consignes de sécurité de base devraient toujours être respectées afin de réduire les risques d'incendie, de décharge électrique, de blessure personnelle, incluant ce qui suit :

FORMATION

AVERTISSEMENT : lors de l'utilisation de la machine, vous devez suivre les consignes de sécurité suivantes. Veuillez lire ces consignes avant d'utiliser l'appareil afin de garantir votre sécurité et celles des personnes à proximité de l'appareil. Veuillez conserver ces consignes.

- Veuillez lire, comprendre et suivre toutes les consignes sur l'appareil figurant dans le(s) guide(s) avant d'essayer d'assembler et d'utiliser l'appareil. Familiarisez-vous avec les commandes et la marche à suivre pour une bonne utilisation de la motobineuse. Conservez ce guide dans un endroit sûr pour pouvoir le consulter ultérieurement et commander des pièces de rechange.
- Familiarisez-vous avec toutes les commandes et leur bonne utilisation. Apprenez rapidement à couper le moteur de l'appareil et à stopper la rotation des couteaux.
- Ne laissez jamais des enfants de moins de 14 ans utiliser cet appareil. Les enfants de plus de 14 ans doivent lire et comprendre les consignes d'utilisation et de sécurité figurant dans ce guide et devraient être formés et supervisés par un parent.
- Ne laissez jamais des adultes utiliser cet appareil sans qu'ils aient reçu une formation appropriée.
- Veillez à ce que les personnes à proximité, les personnes vous aidant, les animaux familiers et les enfants soient éloignés d'au moins 50 pieds de l'appareil pendant l'utilisation de ce dernier. Coupez l'appareil si quelqu'un entre dans ce rayon.

PRÉPARATION

- Inspectez soigneusement le terrain sur lequel l'appareil sera utilisé. Retirez tous les bâtons, pierres, morceaux de fil et autres objets sur lesquels vous pourriez trébucher ou qui pourraient entraîner des blessures.

AVERTISSEMENT : afin de réduire les risques de décharge électrique, utiliser uniquement des rallonges UL prévues pour une utilisation en extérieur, soit les types SW-A, SOW-A, STW-A, STOW-A, SJW-A, SJOW-A, SJTW-A, ou SJTOW-A.

- Rallonge : assurez-vous que votre rallonge est en bon état, suffisamment résistante pour le courant requis par la motobineuse.

TAILLE MINIMUM DES RALLONGES POUR LES APPAREILS DE 120 VOLTS 6-10 AMPS				
Longueur de rallonge (pieds)	25	50	100	150
Taille du fil (AWG)	18	16	14	12

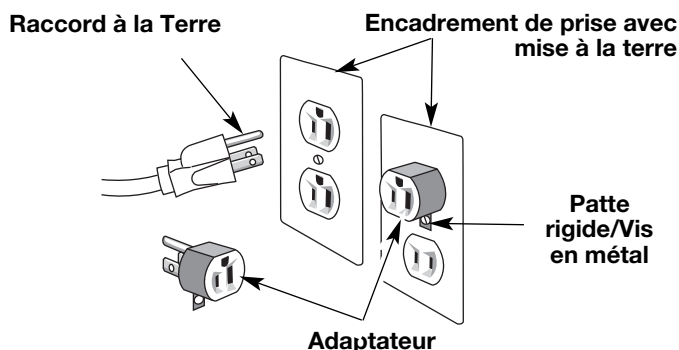
Si vous avez un doute, utilisez une rallonge de calibre plus élevé. Plus le numéro du calibre de fil est petit, plus le câble est résistant. Un câble de calibre trop petit entraînera une baisse de tension, une perte de puissance ainsi qu'une surchauffe. Pour réduire le risque de débranchement de la rallonge de la motobineuse, utilisez le dispositif de retenue de la rallonge fourni.

- Si une rallonge est endommagée lorsqu'elle est branchée, retirez-la de la prise.
- Inspectez régulièrement le cordon de la motobineuse, et s'il est endommagé, faites-le réparer chez un professionnel agréé. Inspectez régulièrement la rallonge et remplacez-la si elle est endommagée.

AVERTISSEMENT : ne pas modifier la prise de la motobineuse.

- Portez des vêtements appropriés. Portez des chaussures de travail solides et à semelles épaisses ainsi que des pantalons et chemises ajustés. Les vêtements et les bijoux trop lâches peuvent se prendre dans les pièces en mouvement. N'utilisez jamais cet appareil les pieds nus ou en sandales. L'utilisation de gants en caoutchouc est recommandée lorsque vous travaillez à l'extérieur. Portez un couvre-chef pour maintenir les cheveux longs en place.
- Portez des lunettes de sécurité lorsque vous utilisez cet appareil. Portez un masque si l'appareil émet de la poussière. Equipement de protection disponible chez les réparateurs ou concessionnaires agréés.
- Utilisez le bon outil. N'utilisez la motobineuse que pour les travaux pour lesquels elle est prévue.
- Consignes de mise à la terre : la motobineuse doit être mise à la terre lorsqu'elle est utilisée pour réduire le risque d'électrocution de l'utilisateur. La motobineuse est équipée d'un fil à trois conducteurs et d'une prise de mise à la terre à trois broches pour entrer dans la prise de terre appropriée. Le fil vert (ou vert et jaune) du câble est le

CONSIGNES DE SÉCURITÉ



fil de mise à la terre. Ne branchez jamais le fil vert (ou vert et jaune) à un terminal sous tension. Votre motobineuse a une prise mâle, voir Fig. A. Un adaptateur, voir Fig. C, est disponible pour connecter des prises mâle à trois broches, voir Fig. B, à des prises à deux broches. La languette ou oreille rigide verte, doit être connectée à une prise de terre permanente telle un réceptacle bien mis à la terre.

- N'utilisez que des rallonges pour extérieur à trois fils qui ont des prises mâle à trois broches avec mise à la terre et des réceptacles avec mise à la terre qui sont compatibles avec la prise de la motobineuse.
- Veillez à ce que les poignées restent sèches, propres et dépourvues d'huile et de graisse.
- Fusibles : la motobineuse devrait être utilisée sur un circuit de 15 ou 20 AMP. En cas de difficulté de démarrage avec un fusible ou disjoncteur normal de 15 AMP ou si l'interrupteur de surintensité de la motobineuse disjoncte fréquemment, contactez le centre de réparation agréé le plus proche. N'utilisez pas de fusible de capacité supérieure sans consulter votre compagnie d'électricité.
- Un Interrupteur de Circuit de Faute de Terre (GFCI protection) devrait être fourni sur le(s) circuit(s) ou prise(s) qui seront utilisés pour la motobineuse. Des réceptacles équipés d'un interrupteur GFCI sont disponibles et peuvent être utilisés pour cette mesure de sécurité.
- N'essayez jamais de procéder à des ajustements lorsque le moteur tourne.

UTILISATION

- Évitez les environnements dangereux. N'utilisez pas la motobineuse dans des endroits humides ou mouillés.
- N'utilisez pas la motobineuse sous la pluie.
- N'utilisez pas la motobineuse sur des pentes trop prononcées.
- Évitez les démarrages accidentels. Ne transportez pas la motobineuse branchée en ayant vos mains/doigts sur les commandes de démarrage du moteur.
- Ménagez le cordon. Ne tirez ou ne transportez jamais la motobineuse par le cordon et évitez les coups secs lorsque vous débranchez le cordon de la prise. Gardez le cordon à l'écart des sources de chaleur, de l'essence, et de bords acérés.
- Si une rallonge est endommagée lorsqu'elle est branchée, retirez-la de la prise.
- Gardez mains et pieds à distance des pièces en rotation. Tout contact avec les pièces en rotation peut causer l'amputation de doigts, de mains et de pieds.
- N'utilisez pas l'appareil sous l'effet de l'alcool ou de stupéfiants.
- Utilisez cet appareil uniquement en plein jour ou si vous disposez d'un éclairage artificiel suffisant. N'étendez pas trop le bras. Restez toujours à distance et en équilibre en tenant toujours le guidon fermement.
- Restez attentif. Soyez vigilant. Faites preuve de bon sens. N'utilisez pas la motobineuse lorsque vous êtes fatigué.
- Ne forcez pas sur la motobineuse. Si vous utilisez l'appareil au régime prescrit, les résultats seront bien meilleurs et le risque d'accident en sera fortement réduit.
- Veillez à ce que les personnes à proximité, les personnes vous aidant, les animaux familiers et les enfants soient éloignés d'au moins 50 pieds de l'appareil pendant l'utilisation de ce dernier. Coupez la machine si quelqu'un entre dans ce rayon.
- Soyez prudent lorsque vous passez sur un terrain dur. Les coupeaux peuvent accrocher la terre et tracter la motobineuse vers l'avant. Si cela survient, relâchez la poignée et ne retenez pas l'appareil.
- N'utilisez jamais l'appareil à grande vitesse sur des surfaces dures ou glissantes.
- Faites preuve de prudence afin d'éviter de glisser ou de tomber.
- Regardez le sol, derrière vous, et soyez prudent lorsque vous tirez l'appareil dans votre direction.

- Démarrez le moteur conformément aux consignes figurant dans ce manuel et gardez en permanence vos pieds bien à l'écart des coupeaux.
- Après avoir butté sur un objet, coupez le moteur et débranchez le cordon d'alimentation afin d'éviter tout démarrage accidentel. Inspectez l'appareil méticuleusement pour vérifier qu'il n'a pas été endommagé. Effectuez les réparations nécessaires avant de redémarrer le moteur et d'utiliser l'appareil.
- Coupez le moteur, déconnectez le cordon d'alimentation afin d'éviter tout démarrage accidentel, et patientez jusqu'à ce que les coupeaux soient totalement immobiles avant de les débloquer et de procéder à des ajustements ou des inspections.
- Soyez prudent lorsque vous utilisez l'appareil près de barrières, bâtiments et conduites souterraines. Les coupeaux en rotation peuvent causer des dégâts matériels ou entraîner des blessures personnelles.
- N'excédez pas les capacités de l'appareil en essayant de labourer trop en profondeur ou trop rapidement.
- Si l'appareil démarre en émettant un bruit ou des vibrations inhabituelles, coupez le moteur et débranchez le câble d'alimentation afin d'éviter tout démarrage accidentel. Inspectez l'appareil méticuleusement pour vérifier qu'il n'a pas été endommagé. Effectuez les réparations nécessaires avant de redémarrer le moteur et d'utiliser l'appareil.
- Installez correctement tous les écrans, les protections et les dispositifs de sécurité avant d'utiliser l'appareil.
- Afin d'éviter les risques d'électrocution, ne poussez ou ne tirez jamais la motobineuse en marche pour la faire passer au-dessus du cordon d'alimentation.
- Lorsque vous soulevez la motobineuse, utilisez la poignée prévue à cet effet. Ne saisissez pas la motobineuse par les coupeaux lorsque vous la soulevez ou la tenez. Ne ramassez ou ne transportez jamais l'appareil lorsque le moteur tourne.
- Utilisez uniquement les pièces et accessoires agréés par le fabricant. Tout manquement peut entraîner des blessures personnelles et/ou endommager votre motobineuse.
- Dans les cas non couverts par ce guide, soyez prudent et faites preuve de bon sens.

ENTRETIEN ET ENTREPOSAGE

- Ne trafiquez pas les dispositifs de sécurité. Assurez-vous de leur bon fonctionnement régulièrement.
- Vérifiez fréquemment que les boulons et les écrous sont bien vissés, pour conserver l'appareil en bon état de marche. Une inspection visuelle de l'appareil est également recommandée pour vérifier qu'il n'a pas été endommagé.
- Avant de laisser l'appareil sans garde, de modifier la largeur des coupeaux, d'entreprendre le nettoyage, d'effectuer des réparations, de procéder à des ajustements et autres tâches de la sorte, coupez le moteur, débranchez le câble d'alimentation afin d'éviter tout démarrage accidentel, et assurez-vous que les coupeaux et toutes les pièces en rotation sont immobiles.
- Ne nettoyez pas la motobineuse avec un tuyau d'arrosage. Évitez d'asperger le moteur et les connexions électriques.
- Conservez ou remplacez les étiquettes des consignes de sécurité si nécessaire.
- Suivez les consignes de ce guide pour le chargement, le déchargement, le transport et l'entreposage de cet appareil.
- Consultez toujours le guide de l'utilisateur pour les consignes d'entreposage hors saison. Lorsqu'elle n'est pas utilisée, la motobineuse devrait être entreposée en intérieur, dans un endroit sec et verrouillé, ou surélevé hors de la portée des enfants.
- Entretenez la motobineuse avec soin. Suivez les consignes quant à la lubrification et le nettoyage.
- Assurez-vous qu'aucune pièce n'a été endommagée. Avant de continuer à utiliser l'appareil, les protections ou autres pièces endommagées devraient être inspectées pour déterminer si elles fonctionneront et rempliront leur fonction comme il se doit. Vérifiez l'alignement de toutes les pièces mobiles, vérifiez si elles ne sont pas déformées ou brisées, vérifiez les supports, et s'il n'y a pas d'autre problème susceptible d'affecter le fonctionnement de l'appareil. Une pièce de protection ou autre ayant été endommagée devrait être réparée ou remplacée par un service de réparation agréé.

CONSERVEZ CES INSTRUCTIONS



AVERTISSEMENT : restreindre l'utilisation de cet appareil électrique aux personnes qui liront, comprendront et respecteront les mises en garde et consignes situées dans ce manuel et sur cet appareil.

CONSIGNES DE SÉCURITÉ

• SÍMBOLOS DE SEGURIDAD E INTERNACIONALES •

Este manual del operador describe símbolos de seguridad e internacionales, así como pictogramas, que pueden aparecer en este producto. Lea el manual del operador para obtener información completa sobre seguridad, montaje, funcionamiento, mantenimiento y reparaciones.

SYMBOLE SIGNIFICATION



- **SYMBOLE ALERTE DE SÉCURITÉ**
Indique un danger, un avertissement ou une mise en garde. Ce symbole peut être combiné à d'autres symboles ou pictogrammes.



- **LISEZ LE MANUEL DE L'UTILISATEUR**
AVERTISSEMENT : Lisez le manuel de l'utilisateur et suivez tous les avertissements et consignes de sécurité. Vous pourriez à défaut entraîner des blessures graves pour vous ou d'autres personnes.

SYMBOLE SIGNIFICATION



- **CULTIVATEURS – LES DENTS ROTATIVES PEUVENT BLESSER GRIÈVEMENT**
AVERTISSEMENT : Arrêtez le moteur et laissez les dents s'arrêter avant d'en installer ou en retirer, ou d'entreprendre un nettoyage ou entretien. Gardez les mains et les pieds éloignés des dents en rotation.

GARANTIE

GARANTIE TOTALE CRAFTSMAN

Si ce produit Craftsman tombe en panne dans les deux ans après la date d'achat à cause d'une pièce défectueuse ou d'un défaut de main d'œuvre, ramenez-le à n'importe quel magasin Sears, un Centre de services Sears ou un magasin d'usine Craftsman aux États Unis, pour une réparation gratuite (ou pour un remplacement si la réparation s'avère impossible).

Cette garantie ne s'applique que pendant 90 jours si l'appareil est utilisé à des fins professionnelles ou locatives.

Cette garantie ne couvre QUE les défauts de matériel et de main d'œuvre. Sears NE paiera PAS pour :

- Les éléments remplaçables qui s'usent normalement au cours de la période de cette garantie ; tels que la ligne de coupe, les filtres ou les bougies.
- Les réparations nécessaires suite à un accident, une utilisation ou un entretien de l'appareil non conformes à toutes les instructions fournies.

Cette garantie vous donne des droits légaux spécifiques, auxquels s'ajoutent les droits qui varient d'un État à l'autre.

Sears Canada Inc., 222 Jarvis Street, Toronto ON M5B 2B8

Garantie Protection-Réparations

Félicitations pour votre achat. Votre article Craftsman® est conçu et fabriqué pour vous assurer des années d'utilisation fiable. Mais comme tous les produits, il se peut qu'il ait besoin de réparations de temps en temps. C'est pourquoi la Garantie de Protection-Réparations peut vous faire économiser de l'argent et vous épargner les soucis.

Voici ce que vous propose la Garantie Protection-Réparations :

- Des services d'experts** proposés par nos 10 000 professionnels des réparations.
- Service illimité et pas de frais** pour les pièces et la main-d'œuvre, pour toutes les réparations couvertes par la garantie.
- Remplacement des produits** jusqu'à une valeur de 1 500 \$ si votre produit couvert par la garantie ne peut être réparé.
- Remise de 10%** sur le prix normal du service et sur les pièces installées non couvertes par la garantie, ainsi que 10% de remise sur le prix normal de l'entretien préventif.
- Aide rapide par téléphone** – nous l'appelons la Résolution Rapide – par un agent de Sears. Pensez à nous comme un "manuel parlant de l'utilisateur."

Une fois que vous avez acheté une garantie Protection-Réparations, un simple appel suffit pour demander un rendez-vous pour notre service. Vous pouvez appeler en tous temps, nuit et jour, ou demander un rendez-vous en ligne.

La garantie Protection-Réparations est un achat sans risques. Si vous l'annulez, pour quelque raison que ce soit, durant la période de garantie du produit, vous recevrez un remboursement intégral. Ou vous recevrez un remboursement partiel après que la garantie du produit ait expiré.

Achetez votre Garantie Protection-Réparation aujourd'hui!

Certaines limitations et exclusions s'appliquent. Pour les prix et plus d'informations, appelez le 1-800-827-6655 aux États-Unis.

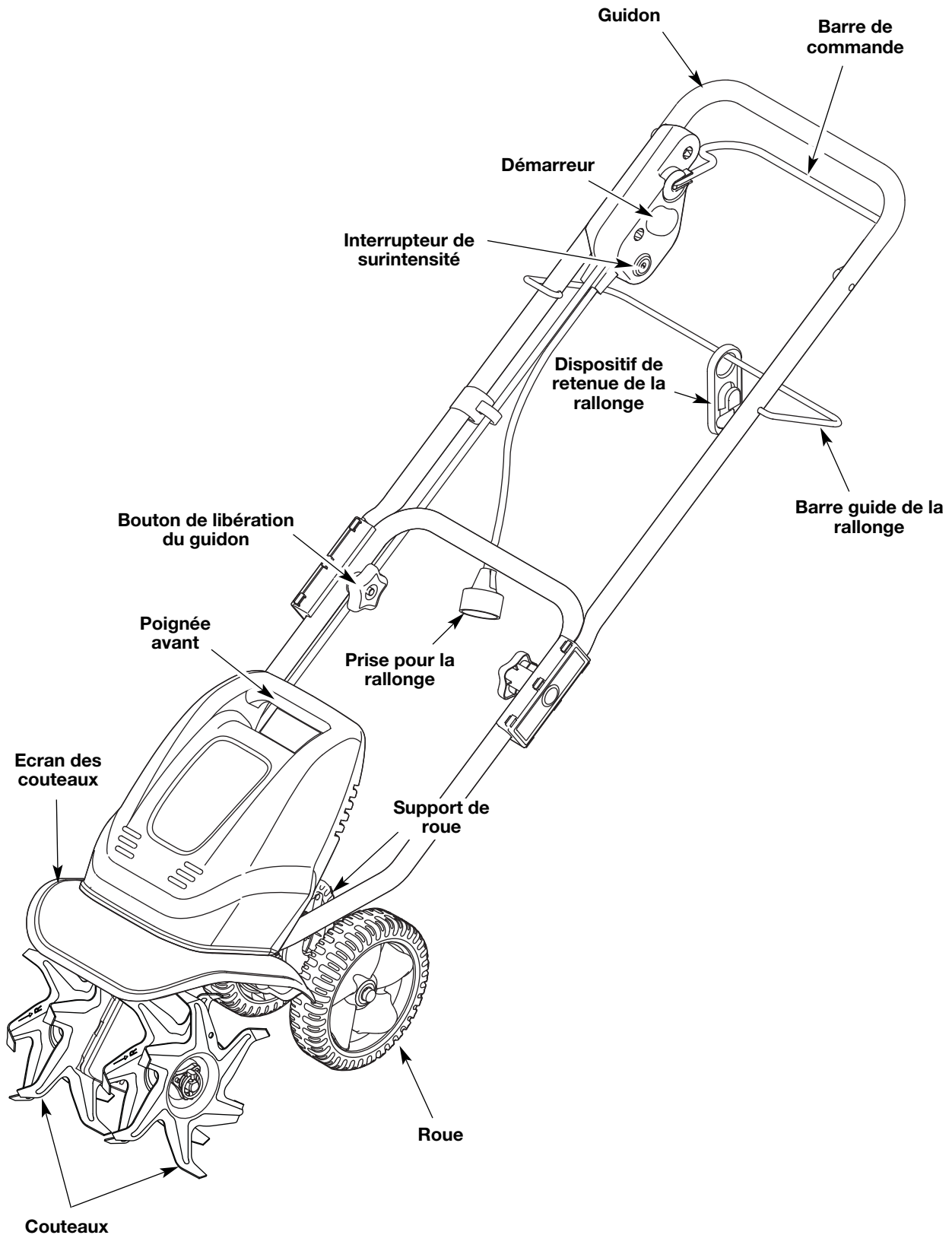
***La couverture au Canada varie selon les produits. Pour tous les détails, appelez Sears Canada au 1-800-361-6665.**

Service d'Installation Sears

Pour une installation professionnelle par Sears de vos appareils ménagers, ouvre-porte de garage, chauffe-eau, et autres gros articles de cuisine, aux États-Unis ou au Canada, appelez le **1-800-4-MY-HOME®**.

APPLICATIONS

- Travailler le gazon et les sols meubles ou semi meubles.
- Travailler les plates-bandes, autour des arbres, etc.



INSTRUCTIONS DE MONTAGE

ASSEMBLAGE DU GUIDON



AVERTISSEMENT : Pour éviter des blessures graves, ne pas brancher le cordon électrique à l'unité d'extension jusqu'à ce que la cultivation remplissant complètement assemblée.

Avant d'utiliser l'appareil, vous devez installer le guidon.

1. Lorsque vous sortez l'appareil de son emballage, maintenez le guidon dans la position de la Figure 1, puis faites-le glisser dans les barres inférieures.
2. Alignez les trous dans le guidon avec les trous des barres inférieures, puis insérez les boulons dans ces trous.
3. Maintenez le guidon en place lorsque vous vissez les écrous sur les boulons (Fig. 2).
4. Serrez bien les écrous pour que le guidon reste en place.
REMARQUE : Ne serrez pas trop les écrous.
5. Assurez-vous que la barre commande est bien dans l'assemblage de démarrage et d'arrêt (Fig. 1, Détail A).

REMARQUE : Veillez à ne pas pincer le câble de la commande de démarrage et d'arrêt en montant le guidon.

6. Insérez le câble de la commande de démarrage et d'arrêt dans son attache sur la barre inférieure, comme indiqué en Figure 1, Détail B.

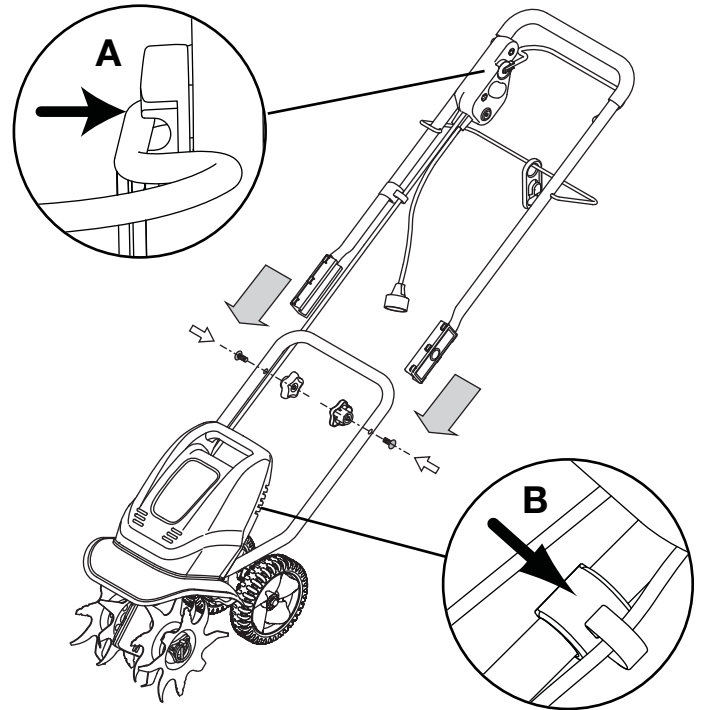


Fig. 1

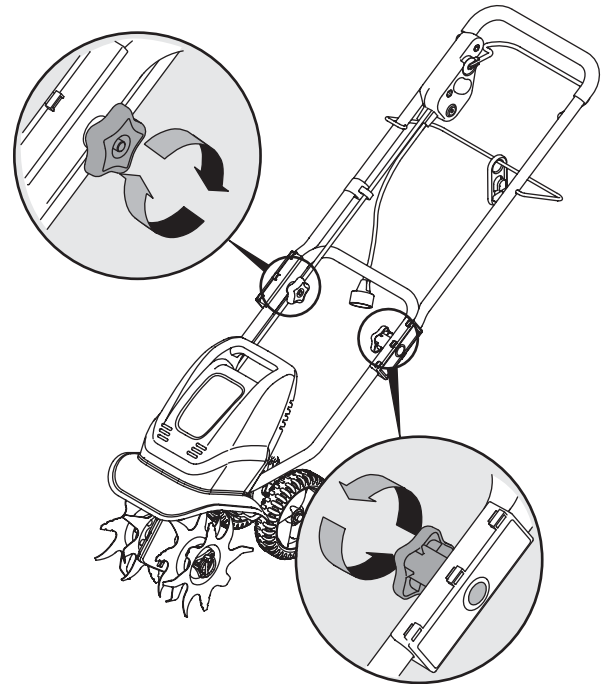


Fig. 2

INSTRUCTIONS DE MONTAGE

RETENUE DE CORDON PROLONGATEUR

Il y a un arrêt pour la rallonge pour empêcher qu'elle se ne débranche pendant l'utilisation. La retenue pend de la barre de guidage du cordon.

REMARQUE: ne mettez pas la rallonge dans la prise d'alimentation avant que le cordon soit raccordé à la retenue du cordon et raccordé sur la machine.

Pour utiliser la retenue du cordon:

1. Pliez la rallonge en deux et formez une boucle serrée près de la prise.
2. Poussez la boucle dans le trou inférieur dans l'arrêt (Fig. 3).

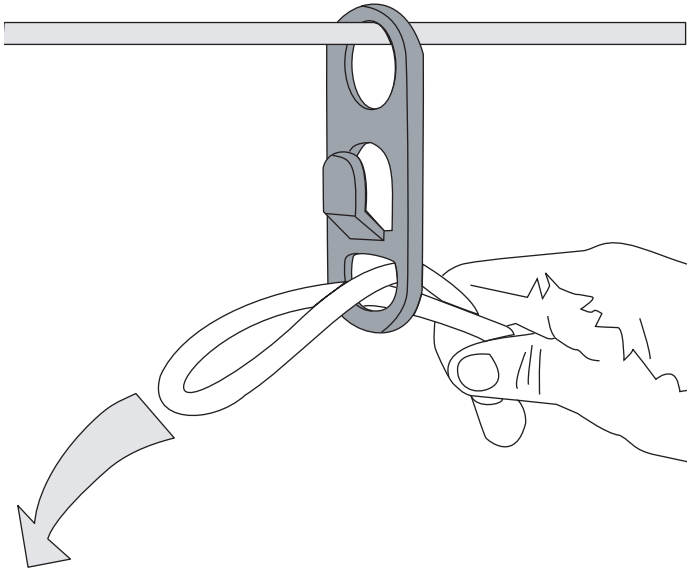


Fig. 3

3. Faites glisser la boucle par-dessus l'étrier et tirez vers le bas jusqu'à ce que le cordon soit bien rentré (Fig. 4).

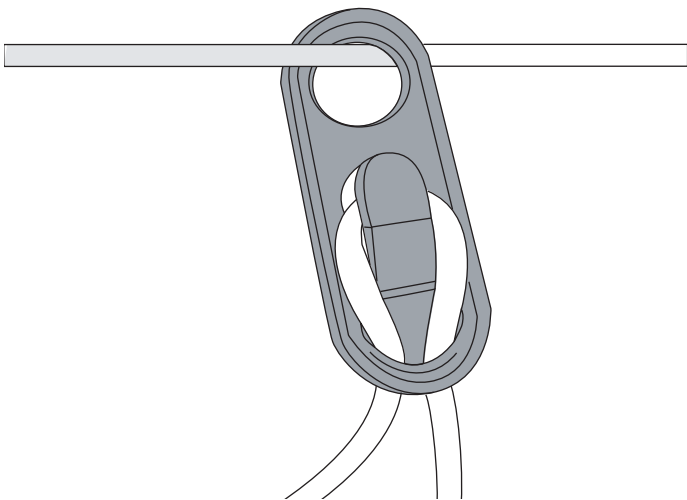


Fig. 4

REMARQUE: Utilisez une rallonge agréée UL. Nous recommandons un câble de 100 pieds (31 m), calibre 14. Un câble de 50 pieds (15 m), calibre 16 est acceptable.

La retenue du cordon et la barre de guidage retiennent la rallonge et la maintiennent toujours en dehors du chemin, en toute sécurité du côté de l'opérateur. La rallonge et la retenue se glissent dans la barre de guidage lorsque l'appareil se déplace vers la gauche et la droite. Raccordez votre rallonge sur l'appareil comme indiqué dans la Figure 5.

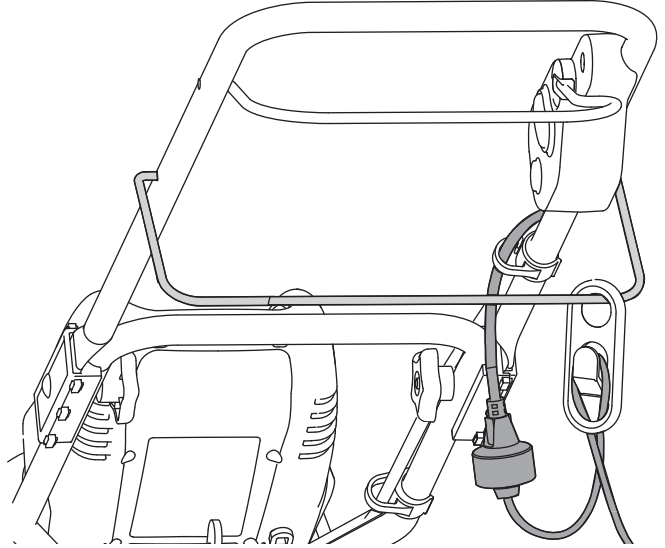


Fig. 5

CONSIGNES DE DEMARRAGE



AVERTISSEMENT : Evitez les démarrages accidentels. Assurez-vous que vous êtes bien positionné derrière l'appareil lorsque vous l'utilisez. Afin d'éviter les blessures graves, l'utilisateur et l'appareil devraient être sur un sol ferme lors du démarrage.

Branchement à une source électrique

REMARQUE : Branchez la rallonge à la motobineuse tel qu'indiqué sur la page précédente, avant de brancher la rallonge dans une prise électrique.

1. Branchez la rallonge dans toute source (intérieure ou extérieure) de 120-volts, 60 Hz CA reliée à la terre. Votre motobineuse fonctionnera de manière satisfaisante avec un disjoncteur de 15 ampères.

REMARQUE : Pour éviter le déclenchement des disjoncteurs, sélectionnez une prise sur un circuit non surchargé. N'optez PAS pour une prise située sur un circuit sur lequel des appareils électroménagers tels qu'un réfrigérateur sont branchés.

2. Restez derrière la motobineuse, en position de démarrage.
3. Inclinez la motobineuse légèrement vers l'arrière, pour que son poids repose sur les roues et que les couteaux ne soient PAS en contact avec le sol.
4. Appuyez sur le démarreur (bouton rouge) et maintenez-le enfoncé (Fig. 6, n° 1). **REMARQUE :** Le démarrage du moteur de la motobineuse entraîne également la rotation des couteaux.
5. Lorsque vous maintenez le bouton du démarreur enfoncé, relevez la barre de commande contre le guidon (Fig. 6, n° 2) pour démarrer le moteur et entraîner le mouvement des couteaux.

REMARQUE : Le moteur de la motobineuse ne démarrera PAS si vous ne maintenez pas le bouton du démarreur enfoncé tout en relevant la barre de commande.

6. Relâchez le démarreur (bouton rouge) et saisissez le guidon et la barre de commande des deux mains (Fig. 7).

CONSIGNES POUR ARRÊTER L'APPAREIL

1. Relâchez la barre de commande.
2. Le bouton du démarreur ressortira, la barre de commande se rabattra et le moteur s'arrêtera.

INTERRUPTEUR DE SURREGIME

La motobineuse est équipée d'un interrupteur de surintensité afin d'empêcher tout dégât au moteur causé par sa surchauffe. Si l'interrupteur de surintensité ressort :

1. Relâchez la barre de commande et ne redémarrez PAS la motobineuse avant au moins une minute, pour que le moteur électrique ait le temps de refroidir.
2. Appuyez sur l'interrupteur de surintensité, pour réinitialiser l'interrupteur (Fig. 6, n° 3).

Si l'interrupteur de surintensité ressort immédiatement après avoir été réinitialisé :

1. Relâchez la barre de commande et ne redémarrez PAS la motobineuse avant au moins 15 minutes, pour laisser au moteur le temps de refroidir.
2. Appuyez sur l'interrupteur de surintensité, pour réinitialiser l'appareil.
3. Redémarrez l'appareil.

REMARQUE : Si l'interrupteur de surintensité ressort de manière répétée alors que vous utilisez l'appareil, ou ne reste pas enfoncé lorsque vous essayez de réinitialiser l'appareil, contactez un centre Troy-bilt pour effectuer des réparations.

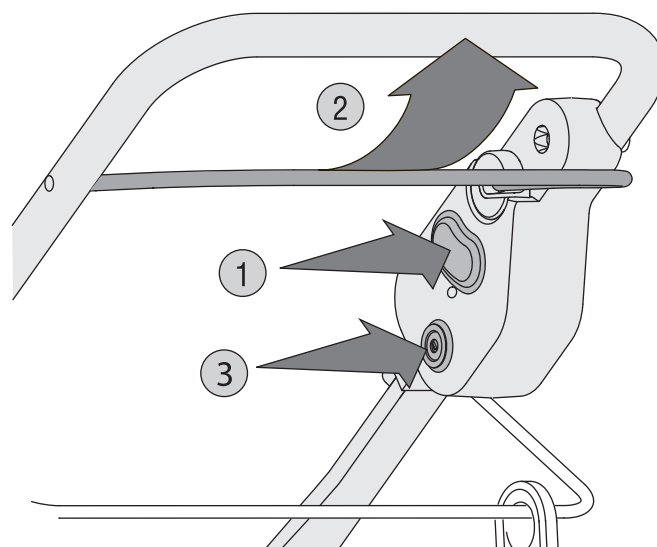


Fig. 6

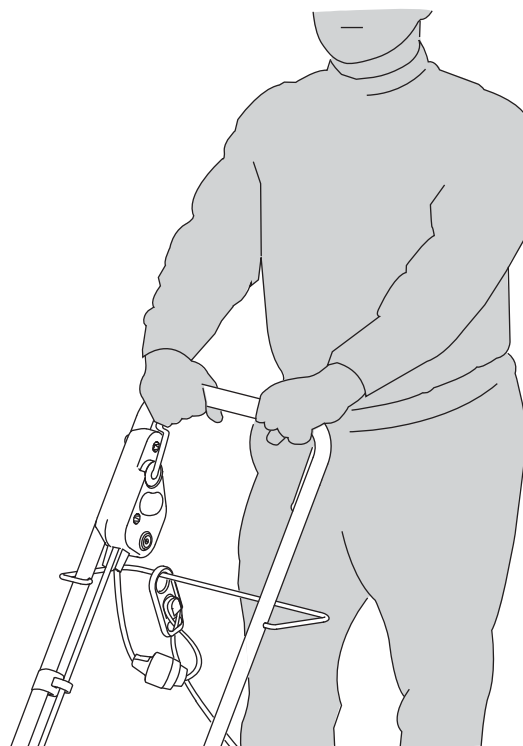


Fig. 7

AJUSTER LA HAUTEUR DU SUPPORT DE LA ROUE



AVERTISSEMENT : éviter les démarrages accidentels. Couper le moteur et débrancher la rallonge avant d'ajuster la hauteur du support de la roue.

Pour ajuster la hauteur du support de la roue, procédez de la manière suivante :

1. Retirez la goupille de la vis à ?illet et sortez-la du support arrière (Fig. 8).

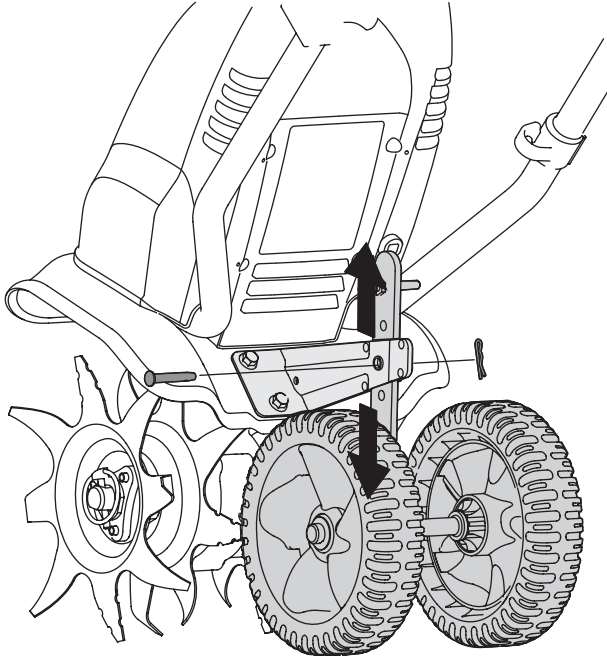


Fig. 8

2. Montez ou descendez le support de la roue dans le support arrière, en alignant les trous à la hauteur voulue.
3. Introduisez la vis à ?illet dans le trou et remplacez la goupille pour maintenir la vis en place.

UTILISER LA MOTOBINEUSE



AVERTISSEMENT : ne jamais soulever ou déplacer l'appareil lorsque le moteur est en marche. Cela pourrait entraîner de graves blessures personnelles.

1. Emmenez la motobineuse sur la surface à travailler avant de démarrer le moteur. Faites rouler la motobineuse en la poussant ou la tirant. Vous pouvez également transporter la motobineuse en la saisissant par la poignée avant.
2. Démarrez la motobineuse en respectant toutes les étapes figurant dans la section CONSIGNES POUR DE DEMARRAGE située à la page précédente.
3. Tout en saisissant la barre supérieure des deux mains, faites lentement pivoter la motobineuse jusqu'à ce que les couteaux entrent en contact avec le sol.



AVERTISSEMENT : éviter les risques de blessure. Ne jamais disposer la rallonge dans l'axe des couteaux. Ne pas laisser les couteaux entrer en contact avec la rallonge

4. Une fois les couteaux dans le sol, travaillez la terre à un régime modéré jusqu'à ce que vous soyez familiarisé avec les commandes et le comportement de la motobineuse.

REMARQUE : Sachez toujours où se trouve la rallonge. Ne laissez jamais les couteaux de la motobineuse entrer en contact avec la rallonge pendant que vous utilisez l'appareil.

5. Pour ajuster la profondeur de travail, ajustez le support des roues. Voir la section AJUSTER LA HAUTEUR DU SUPPORT DES ROUES.

REMARQUE : Pour travailler le sol, une hauteur de deux à trois pouces est préférable. Lorsque vous plantez par rangées, espacez-les suffisamment afin de pouvoir cultiver entre ces dernières.



AVERTISSEMENT : afin d'éviter de graves blessures personnelles, ne jamais effectuer des opérations d'entretien ou des réparations lorsque l'appareil est en marche. Toujours effectuer l'entretien et les réparations lorsque l'appareil est à froid.



AVERTISSEMENT : éviter les démarrages accidentels. Couper le moteur et débrancher la rallonge avant d'effectuer l'entretien ou les réparations de l'appareil.

RETIRER ET REMPLACER LES COUTEAUX

Les couteaux de la motobineuse sont sujets à l'usure et devraient être remplacés lorsque des signes de dégradation sont visibles. Les couteaux devraient également être démontés et nettoyés après chaque utilisation.



AVERTISSEMENT : les couteaux de la motobineuse sont tranchants. Toujours porter des gants en cuir lors de la manipulation des couteaux, afin de protéger vos mains.

Pour remplacer les couteaux de la motobineuse :

1. Retirez le cliquet situé à l'extrémité de chaque axe de couteau.

REMARQUE : Chaque assemblage de couteau est identifié par « A » ou « B » (Fig. 9). Identifiez l'emplacement de chaque couteau sur l'axe pour faciliter le remontage.



AVERTISSEMENT : ne pas nettoyer la motobineuse à l'aide d'un tuyau d'arrosage. Éviter l'entrée en contact de l'eau et du moteur ou de ses connexions électriques.

2. Retirez avec soin chaque paire de couteaux de son axe.
3. Nettoyez chaque axe de couteau à l'aide d'un linge humide et recouvrez-les d'une fine couche d'huile (3None par exemple) ou d'un lubrifiant à base de silicone. N'utilisez PAS de WD40.
4. Rincez à l'eau chaque paire de couteaux, puis essuyez-les bien avant de les remonter sur l'axe.
5. Remplacez chaque cliquet afin de maintenir les paires de couteaux en place.

Conseils pour le remplacement des couteaux

- Chaque axe comporte un couteau identifié « A » et un autre identifié « B ».
- Les faces bombées des deux couteaux (sur chaque axe) devraient être disposées du côté intérieur (Fig. 9).
- Le moyeu de chaque assemblage de couteau (Fig. 9) doit faire face vers l'extérieur (à l'opposé du train d'engrenages de la motobineuse).

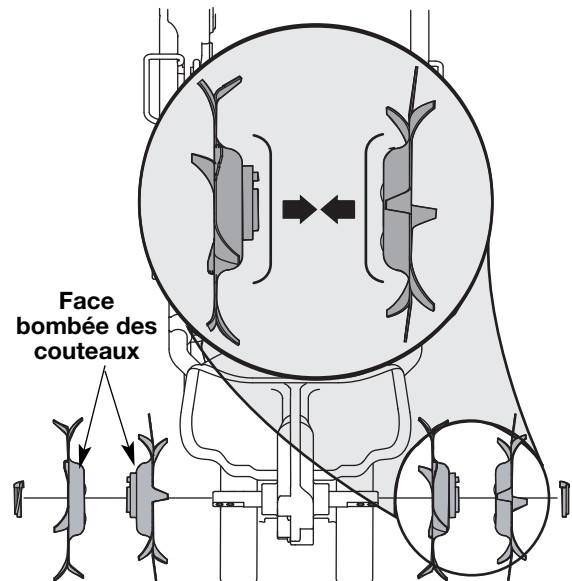
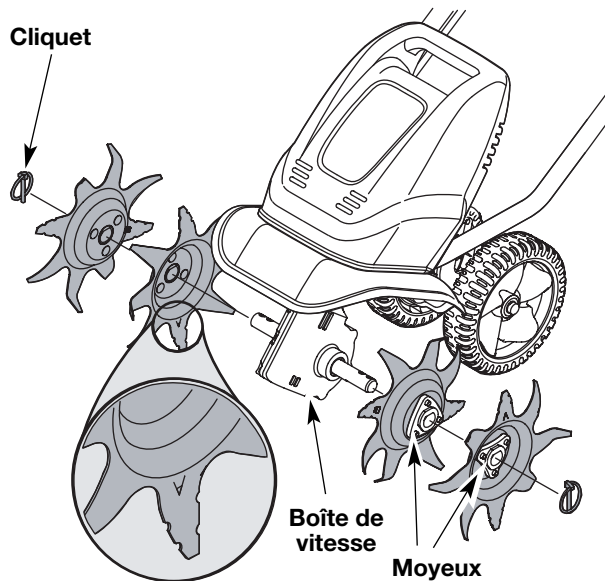


Fig. 9

RÉSOLUTIONS DE PROBLÈMES

MOTEUR NE DEMARRANT PAS

CAUSE

- L'appareil est débranché
- Barre de commande ou démarreur mal utilisé
- L'interrupteur de surintensité est sorti

ACTION

- Assurez-vous que la rallonge est bien branchée à la prise de la motobineuse ainsi qu'à une prise de courant à 110V.
- Appuyez sur le démarreur et maintenez-le enfoncé tout en serrant la barre de commande contre le guidon.
- Appuyez sur l'interrupteur de surintensité. Suivez les consignes de démarrage

AVEZ-VOUS BESOIN DE PLUS D'AIDE?

Vous trouverez la réponse et bien davantage sur managemyhome.com – c'est gratuit !

- Trouvez celui-ci et tous les manuels de l'utilisateur de nos produits en ligne.
- Recevez des réponses de notre équipe d'experts en construction.
- Recevez un plan d'entretien sur mesure pour votre maison.
- Trouvez l'information et des outils pour vous aider avec vos projets de construction.

manage my home
par Sears

CARACTERISTIQUES

MOTEUR*

Type de moteur	Electrique -120 Volts CA
Régime en fonctionnement jusqu'à 8 000 t/min
Interrupteur de démarrage Bouton de verrouillage de sécurité pour la barre de commande
Ampérage 6,5 Amps
Protection contre la surintensité Disjoncteur à 120V - 5 Amp

MOTOBINEUSE*

Tube de l'axe Tube en acier
Guidon Tube en acier
Largeur de travail (maximum) 22,86 cm (9 pouces)
Profondeur de travail (maximum) 15,24 cm (6 pouces)
Poids approximatif (à réservoir vide) 12,25 kg (27 livres)

* Toutes les caractéristiques sont basées sur les toutes dernières informations disponibles sur le produit, à l'impression de ce guide. Nous nous réservons le droit d'effectuer des modifications sans notification préalable.

Faites-le réparer, à domicile ou à l'atelier!

Téléphonez au:
1-800-LE-FOYER^{MC}
(1-800-533-6937)

24 heures par jour, 7 jours par semaine

Pour la réparation des appareils électroménagers de grandes marques
à **vosre domicile** ... peu importe le fabricant ou le détaillant!

Pour connaître l'emplacement du **Service des pièces et de l'entretien Sears** le plus proche afin d'apporter à l'atelier des produits tels que des aspirateurs, tondeuses à gazon ou appareils électroniques.

Pour connaître le no. de téléphone du **Service des pièces et de l'entretien Sears** afin de commander les pièces de rechange, accessoires et manuels d'instructions requis pour effectuer vous-même les réparations.

www.sears.ca

Pour acheter ou demander des renseignements
sur un contrat d'entretien Sears, téléphonez au:

1-800-361-6665

de 9 h à 23 h du lundi au vendredi (HNE), de 9 h à 16 h le samedi

For service in English:

1-800-4-MY-HOME[®]

(1-800-469-4663)

www.sears.ca



MP Marque déposée / MC Marque de commerce de Sears, Roebuck and Co. utilisée en vertu d'une licence de Sears Canada

® / TM Trademarks of Sears, Roebuck and Co. used under license by Sears Canada

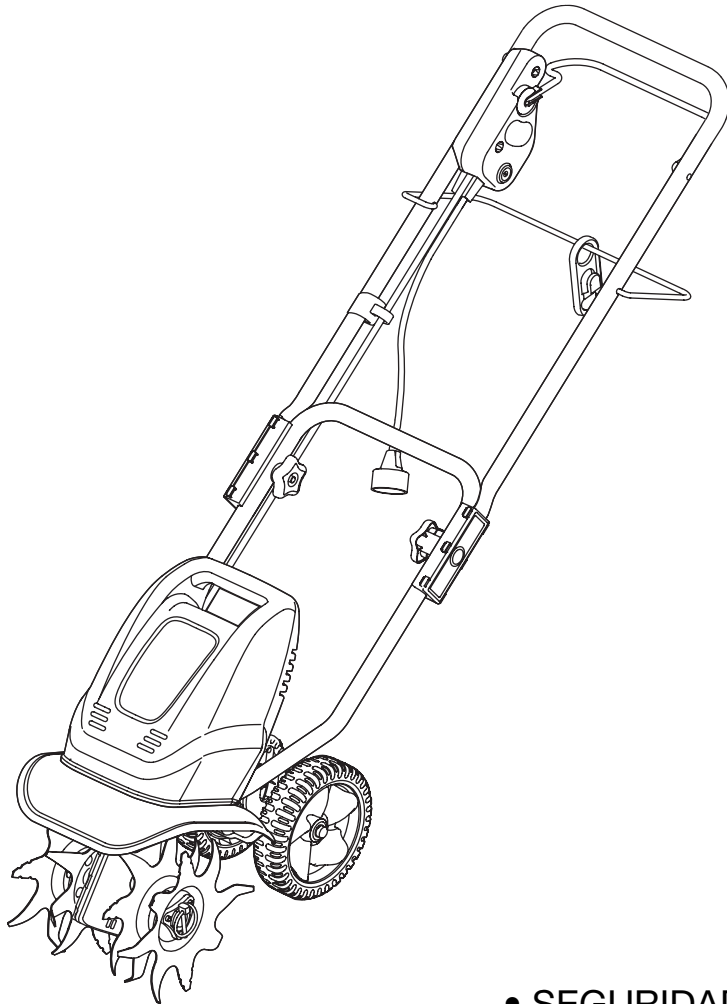
Manual del operador

CRAFTSMAN®

CULTIVADOR

Eléctrico

Modelo No. C459.627020



PRECAUCIÓN: Antes de utilizar este producto, lea este manual y siga todas las reglas de seguridad y las instrucciones de funcionamiento.

- SEGURIDAD
- MONTAJE
- FUNCIONAMIENTO
- MANTENIMIENTO
- LISTADO DE PIEZAS

Sears Canada Inc., 222 Jarvis Street, Toronto ON M5B 2B8
Visite nuestro sitio web: www.sears.ca

769-03581

NORMAS PARA UNA OPERACIÓN SEGURA

Los símbolos de seguridad se utilizan para llamar su atención sobre posibles peligros. Los símbolos de seguridad y sus explicaciones merecen toda su atención y comprensión. Los símbolos de seguridad no eliminan ningún peligro por sí mismos. Las instrucciones o advertencias que ofrecen no substituyen las medidas adecuadas de prevención de accidentes.

INDICE DE CONTENIDOS

Normas para una operación segura	E2
Garantía	E4
Conozca su unidad	E5
Instrucciones de ensamble	E6
Instrucciones de arranque y apagado	E8
Instrucciones de operación	E9
Resolución de problemas	E11
Especificaciones	E11
Déclaration de garantía de California	E12
Lista des piezas	E14
Numéros de service	Extérieure de la couverture arriéré

Lea el manual del operador y siga todas las advertencias e instrucciones de seguridad. De no hacerlo, el operador y/o los espectadores pueden sufrir graves lesiones.

**SI TIENE PREGUNTAS, LLAME AL
1-800-4-MY-HOME®**

SÍMBOLO SIGNIFICADO



ALERTA DE SEGURIDAD : Indica peligro, advertencia o precaución. Debe prestar atención para evitar sufrir graves lesiones personales. Puede ser utilizado junto con otros símbolos o figuras.

NOTA: Le ofrece información o instrucciones que son esenciales para la operación o mantenimiento del equipo.



PELIGRO : El no obedecer una advertencia de seguridad puede conducir a que usted u otras personas sufran graves lesiones. Siga siempre las precauciones de seguridad para reducir el riesgo de incendio, descarga eléctrica y lesiones personales.



ADVERTENCIA : El no seguir una advertencia de seguridad puede conducir a que usted u otras personas sufran lesiones. Siga siempre las precauciones de seguridad para reducir el riesgo de incendio, descarga eléctrica y lesiones personales.



PRECAUCIÓN : El no seguir una advertencia de seguridad puede conducir a daño patrimonial o a que usted u otras personas sufran lesiones personales. Siga siempre las precauciones de seguridad para reducir el riesgo de incendio, descarga eléctrica y lesiones personales.

• IMPORTANTES INSTRUCTIONS DE SÉCURITÉ •



ADVERTENCIA: Al utilizar dispositivos de jardinería eléctricos, deben cumplirse siempre precauciones de seguridad básicas para reducir el riesgo de incendios, descargas eléctricas y lesiones personales, incluyendo las siguientes:

CAPACITACIÓN



ADVERTENCIA: Al utilizar la unidad, deben cumplirse las reglas de seguridad. Por favor, lea estas instrucciones antes de utilizar la unidad para garantizar la seguridad del operador y de cualquier transeúnte. Por favor, guarde estas instrucciones para su uso posterior.

- Lea, entienda y cumpla todas las instrucciones incluidas en la máquina y en los manuales antes de montarla y utilizarla. Familiarícese completamente con los controles y con el uso apropiado de la cultivadora. Guarde este manual en un lugar seguro para consultas futuras y regulares, así como para solicitar repuestos.
- Familiarícese con todos los controles y su funcionamiento apropiado. Sepa cómo detener la máquina y cómo desengranar los dientes rápidamente.
- No permita nunca que los niños menores de 14 años utilicen esta máquina. Los niños de 14 años y más mayores deben leer y comprender las instrucciones de funcionamiento y las reglas de seguridad contenidas en este manual, y también deben ser capacitados y estar supervisados por uno de los padres.
- Nunca permita que los adultos utilicen esta máquina sin recibir antes la instrucción apropiada.
- Mantenga a los transeúntes, ayudantes, mascotas y niños al menos a 50 pies (15,2 m) de la máquina mientras está funcionando. Detenga la máquina si alguien entra en la zona.

PREPARACIÓN

- Inspeccione minuciosamente el área donde utilizará el equipo. Quite las piedras, palos, alambres y otros objetos extraños con los que pueda tropezar y provocar lesiones personales.



ADVERTENCIA: Para reducir el riesgo de descargas eléctricas utilice únicamente prolongador clasificado por UL adecuado para uso en exteriores, como por ejemplo tipo SW-A, SOW-A, STW-A, STOW-A, SJW-A, SJOW-A, SJTW-A, o SJTOW-A.

- Prolongador—Asegúrese de que su prolongador instalado está en buen estado y tiene suficiente resistencia para transportar la corriente que consumirá su cultivadora.

TAMANO DE CABLE MINIMO DE PROLONGADOR PARA DISPOSITIVOS DE 120 V QUE UTILIZAN 6-10 AMP

Longitud del cable (pies)	25	50	100	150
Tamaño del (AWG)	18	16	14	12

Si tiene dudas, utilice el cable con el siguiente calibre más resistente. Cuanto menor es el número de calibre, más resistente es el cable. Un cable de tamaño insuficiente provocará una caída en el voltaje de la línea que causará pérdida de alimentación y sobrecalentamiento. Para reducir la posibilidad de desconexión del prolongador instalado desde la cultivadora, asegúrese de utilizar el limitador de cable suministrado.

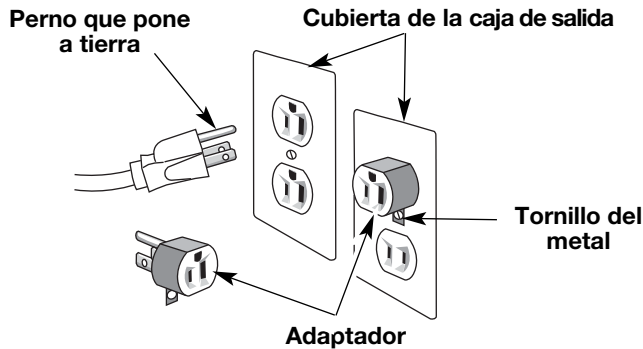
- Si el prolongador se daña de cualquier forma mientras está enchufado, desconecte dicho prolongador del receptáculo de su hogar.
- Inspeccione el cable de la cultivadora de una manera periódica y, en caso de que presente algún tipo de daño, llévelo a un centro de servicio técnico autorizado para su reparación. Inspeccione el prolongador de manera periódica y reemplácelo si está dañado.



ADVERTENCIA: No cambie el enchufe de la cultivadora de ningún modo.

- Utilice vestimenta apropiada. Utilice zapatos de trabajo resistentes, de suela fuerte, así como pantalones y camisas ajustados. Las prendas sueltas o las alhajas pueden quedar atrapadas en las piezas móviles. Nunca utilice la máquina descalzo o con sandalias. Se recomienda usar guantes de goma para trabajos en exteriores. Utilice un accesorio de protección para el cabello con el fin de sujetar el cabello largo.
- Use lentes o anteojos de seguridad al utilizar la unidad. Utilice una mascarilla antipolvo si la máquina levanta polvo durante su funcionamiento. Dicho equipo de protección está disponible a través de su distribuidor o vendedor de servicio técnico autorizado.
- Utilice la herramienta apropiada. No utilice la cultivadora para ningún trabajo para el cual no está diseñada.

NORMAS PARA UNA OPERACIÓN SEGURA



- Instrucciones de conexión a tierra—La cultivadora debe conectarse a tierra para reducir el riesgo de que el operador sufra descargas eléctricas. La cultivadora cuenta con un cable de tres conductores y un enchufe de conexión a tierra de tres espigas para adaptarse al receptáculo de conexión a tierra adecuado. El conductor de cable verde (o verde y amarillo) del cable es el cable de conexión a tierra. No conecte nunca el cable verde (o verde y amarillo) a un terminal con tensión. Su cultivadora cuenta con un enchufe como el que se muestra en la Fig. A. Se encuentra disponible un adaptador, que aparece en la Fig. C, para conectar los enchufes mostrados en la Fig. B a receptáculos de dos espigas. La espiga, lengüeta o similar rígidas de color verde, se deben conectar a una conexión a tierra permanente, como por ejemplo una caja de salida con la adecuada conexión a tierra.
- Utilice únicamente prolongadores para exteriores de tres cables que cuenten con enchufes de conexión a tierra de tres espigas y receptáculos de conexión a tierra que acepten el enchufe de la cultivadora.
- Mantenga la manija seca, limpia, y sin aceite ni grasa.
- Fusibles—La cultivadora se debe utilizar en un circuito de 15 ó 20 AMP. Si se experimentan dificultades al arrancar con un fusible o disyuntor de 15 AMP estándar, o si el interruptor de protección contra sobrecarga incorporado se dispara con frecuencia, póngase en contacto con su centro de servicio técnico autorizado más cercano. No utilice un fusible con mayor potencia nominal sin consultar antes con su compañía eléctrica.
- Es necesario proveer protección de Interruptor de Circuito de Fallas de Tierra (GFCI) en los circuitos o salidas que se usarán para la cultivadora. Existen receptáculos disponibles que cuentan con protección GFCI incorporada y se pueden utilizar para esta medida de seguridad.
- No intente nunca realizar ningún ajuste mientras el motor está en funcionamiento.

FUNCIONAMIENTO

- Evite los entornos peligrosos. No utilice la cultivadora en lugares húmedos o mojados.
- No utilice la cultivadora si llueve.
- No utilice la cultivadora en pendientes excesivamente pronunciadas.
- Evite arranques no intencionados. No arrastre la cultivadora enchufada con sus manos/dedos situados en los controles de arranque del motor.
- No dañe el cable. Nunca tire o arrastre de la cultivadora por el cable ni tire del mismo para desconectarlo del receptáculo. Mantenga el cable protegido de calor, aceite y bordes afilados.
- Si el prolongador se daña de cualquier forma mientras está enchufado, desconecte dicho prolongador del receptáculo de su hogar.
- No coloque las manos ni los pies cerca de las piezas rotativas. El contacto con piezas rotativas puede amputar dedos, manos y pies.
- No utilice la máquina bajo la influencia del alcohol o las drogas.
- Utilice la cultivadora únicamente con luz de día o con una buena luz artificial. No se extienda demasiado. Mantenga un buen equilibrio y sujete la manija firmemente en todo momento.
- Manténgase alerta. Observe lo que está haciendo. Utilice el sentido común. No utilice la cultivadora si está cansado.
- No fuerce la cultivadora. Si se usa a la velocidad para la cual fue diseñada, realizará un trabajo mejor con menos posibilidades de lesiones.
- Mantenga a los transeúntes, ayudantes, mascotas y niños al menos a 50 pies (15,2 m) de la máquina mientras está funcionando. Detenga la máquina si alguien entra en la zona.
- Sea cuidadoso cuando cultive en terreno sólido. Los dientes pueden clavarse en la tierra y propulsar la cultivadora hacia delante. Si esto ocurre, suelte la manija y no retenga la máquina.
- Nunca utilice la máquina a altas velocidades de desplazamiento en superficies duras o resbaladizas.

- Tenga cuidado para evitar resbalar o caerse.
- Mire hacia abajo y hacia atrás, y tenga cuidado cuando tire de la máquina hacia usted.
- Arranque el motor de acuerdo con las instrucciones de este manual y mantenga los pies alejados de los dientes en todo momento.
- Si golpea un objeto extraño, detenga el motor y desconecte el cable de alimentación para evitar un arranque accidental. Inspeccione minuciosamente para ver si la máquina está dañada. Repare el daño antes de arrancar y utilizar la máquina.
- Detenga el motor, desconecte el cable de alimentación para evitar un arranque accidental y espere hasta que los dientes se detengan por completo antes de desmontarlos, hacer algún ajuste o inspeccionar.
- Tenga cuidado cuando cultive cerca de vallas, edificios y servicios subterráneos. Los dientes giratorios pueden causar daños materiales o lesiones personales.
- No sobrecargue la capacidad de la máquina intentando cultivar el piso a un nivel demasiado profundo o a un ritmo demasiado rápido.
- Si la máquina arranca haciendo un sonido o una vibración extraños, detenga el motor y desconecte el cable de alimentación para evitar un arranque accidental. Inspeccione la máquina minuciosamente para ver si está dañada. Repare todos los daños antes de arrancar el motor y utilizar la máquina.
- Mantenga todas las pantallas, protectores y dispositivos de seguridad en su lugar y en correcto funcionamiento.
- Para evitar riesgos de descargas eléctricas, nunca empuje o tire de la cultivadora mediante el cable eléctrico mientras está en uso.
- Cuando levante la cultivadora, utilice la manija provista. No sostenga por los dientes al levantar o sujetar la cultivadora. Nunca levante ni transporte la máquina cuando el motor está encendido.
- Use sólo dispositivos de sujeción o accesorios aprobados por el fabricante de la cultivadora. Si no lo hace, pueden producirse lesiones personales y daños a la cultivadora.
- Si se presentan situaciones que no están previstas en este manual, sea cuidadoso y use el sentido común..

MANTENIMIENTO Y ALMACENAMIENTO

- Nunca manipule los dispositivos de seguridad de manera imprudente. Controle periódicamente que funcionen de forma adecuada.
- Controle frecuentemente que todos los pernos y tornillos estén bien ajustados para comprobar que la máquina se encuentra en condiciones seguras de funcionamiento. Asimismo, realice una inspección visual de la máquina para controlar si la misma está dañada.
- Antes de dejar el equipo, cambie la anchura de los dientes, limpie, repare, realice ajustes y operaciones similares, detenga el motor, desconecte el cable de alimentación para evitar un arranque accidental, y asegúrese de que los dientes y todas las piezas móviles se hayan detenido.
- No lave la cultivadora con una manguera. Evite que el agua entre en contacto con el motor y las conexiones eléctricas.
- Mantenga o reemplace las etiquetas de seguridad e instrucciones según sea necesario.
- Siga las instrucciones de este manual para cargar, descargar, transportar y almacenar de manera segura esta máquina.
- Consulte siempre el manual de funcionamiento para conocer las instrucciones adecuadas para el almacenamiento fuera de temporada. Cuando no esté en uso, la cultivadora debe almacenarse en un lugar seco y alto, o bajo llave, fuera del alcance de los niños.
- Mantenga la cultivadora con cuidado. Siga las instrucciones para lubricar y limpiar.
- Verifique si hay piezas dañadas. Antes de seguir utilizando la cultivadora, controle con mucho cuidado la protección o cualquier otra pieza que esté dañada para determinar si funcionará correctamente y realizará la función para la cual fue diseñada. Controle la alineación de las piezas móviles, el agarrotamiento de las piezas móviles, la rotura de piezas, el montaje y cualquier otra condición que pueda afectar al funcionamiento. Una protección u otra parte que esté dañada debe ser reparada o reemplazada de manera adecuada por un centro de servicio técnico autorizado.

CONSERVE ESTAS INSTRUCCIONES



ADVERTENCIA: Esta máquina eléctrica sólo pueden usarla las personas que lean, comprendan y respeten las advertencias y las instrucciones que aparecen en este manual y en la máquina.

NORMAS PARA UNA OPERACIÓN SEGURA

• SÍMBOLOS DE SEGURIDAD E INTERNACIONALES •

Este manual del operador describe símbolos de seguridad e internacionales, así como pictogramas, que pueden aparecer en este producto. Lea el manual del operador para obtener información completa sobre seguridad, montaje, funcionamiento, mantenimiento y reparaciones.

SÍMBOLO

SIGNIFICADO



• SÍMBOLO DE ALERTA DE SEGURIDAD

Indica peligro, advertencia o precaución. Puede utilizarse junto con otros símbolos o imágenes.



• LEA EL MANUAL DEL OPERADOR

ADVERTENCIA: Lea todos los manuales del operador y cumpla todas las advertencias e instrucciones de seguridad. Si no lo hace, se pueden provocar lesiones personales al operador o a los transeúntes.

SÍMBOLO

SIGNIFICADO



• LOS DIENTES GIRATORIOS DE LAS CULTIVADORAS PARA JARDÍN PUEDEN PROVOCAR LESIONES GRAVES

ADVERTENCIA: Detenga el motor, desenchufe el prolongador y deje que los dientes se detengan antes de retirar los mismos, o antes de limpiar y realizar cualquier tarea de mantenimiento. Mantenga los pies y las manos alejados de los dientes giratorios

GARANTÍA

GARANTÍA TOTAL DE CRAFTSMAN

Si este producto de Craftsman falla debido a un defecto en el material o en la mano de obra dentro de un período de dos años a partir de la fecha de compra, devuélvalo a cualquier tienda Sears, Centro de Servicio de Piezas y Reparaciones u otro establecimiento de Craftsman en los Estados Unidos para que sea reparado sin costo alguno (o ser reemplazado si resulta imposible repararlo).

Esta garantía se aplica solamente durante 90 días si este producto en algún momento se utiliza para fines comerciales o de alquiler.

Esta garantía abarca SOLAMENTE los defectos en el material o en la mano de obra. Sears NO pagará por:

- Los artículos consumibles que se desgasten debido al uso normal dentro del período de garantía, tales como dientes o filtros.
- El mantenimiento preventivo, o las reparaciones necesarias debidas a accidente o por no operar o no mantener el equipo de acuerdo con todas las instrucciones provistas.

Esta garantía le confiere derechos legales específicos, y usted pudiera tener otros derechos que varían de un estado a otro

Sears Canada Inc., 222 Jarvis Street, Toronto ON M5B 2B8

Convenio de Protección de Reparación

Felicidades por haber realizado una compra inteligente. Su nuevo producto Craftsman® está diseñado y fabricado para ofrecerle años de funcionamiento confiable. Pero como todos los productos, es posible que sea necesario repararlo de vez en cuando. Ahí es cuando tener un Convenio de Protección de Reparación puede ahorrarle dinero y problemas.

Esto es lo que incluye el Convenio de Protección de Reparación*:

- Servicio experto** de nuestros 10,000 especialistas profesionales en reparaciones
- Servicio ilimitado y sin costo** alguno por piezas y mano de obra en todas las reparaciones cubiertas
- Reemplazo del producto** por un valor de hasta \$1500 si el producto cubierto no se puede reparar
- Descuento del 10%** en el precio regular del servicio, así como de las piezas instaladas, que el convenio no cubra; igualmente, 10% de descuento en el precio regular de comprobación de mantenimiento preventivo
- Ayuda rápida por teléfono** – la llamamos Solución Rápida – asistencia técnica por teléfono de un representante de Sears. Piense en nosotros como si fuéramos un “manual del usuario que habla”.

Una vez que adquiera el Convenio de Protección de Reparación, todo lo que necesita es hacer una simple llamada para programar el servicio de reparación. Puede llamar a cualquier hora del día o de la noche, o hacer una cita de servicio por Internet.

El Convenio de Protección de Reparación es una compra libre de riesgo. Si usted cancela por cualquier motivo durante el período de garantía del producto, proporcionaremos un reembolso completo. O, un reembolso prorrateado en cualquier momento después de que venza el período de garantía del producto. ¡Adquiera hoy mismo su Convenio de Protección de Reparación!

Aplican algunas limitaciones y exclusiones. Para obtener precios e información adicional en los Estados Unidos, llame al 1-800-827-6655.

***La cobertura en Canadá varía en algunos artículos. Para obtener todos los detalles, llame a Sears en Canadá al 1-800-361-6665.**

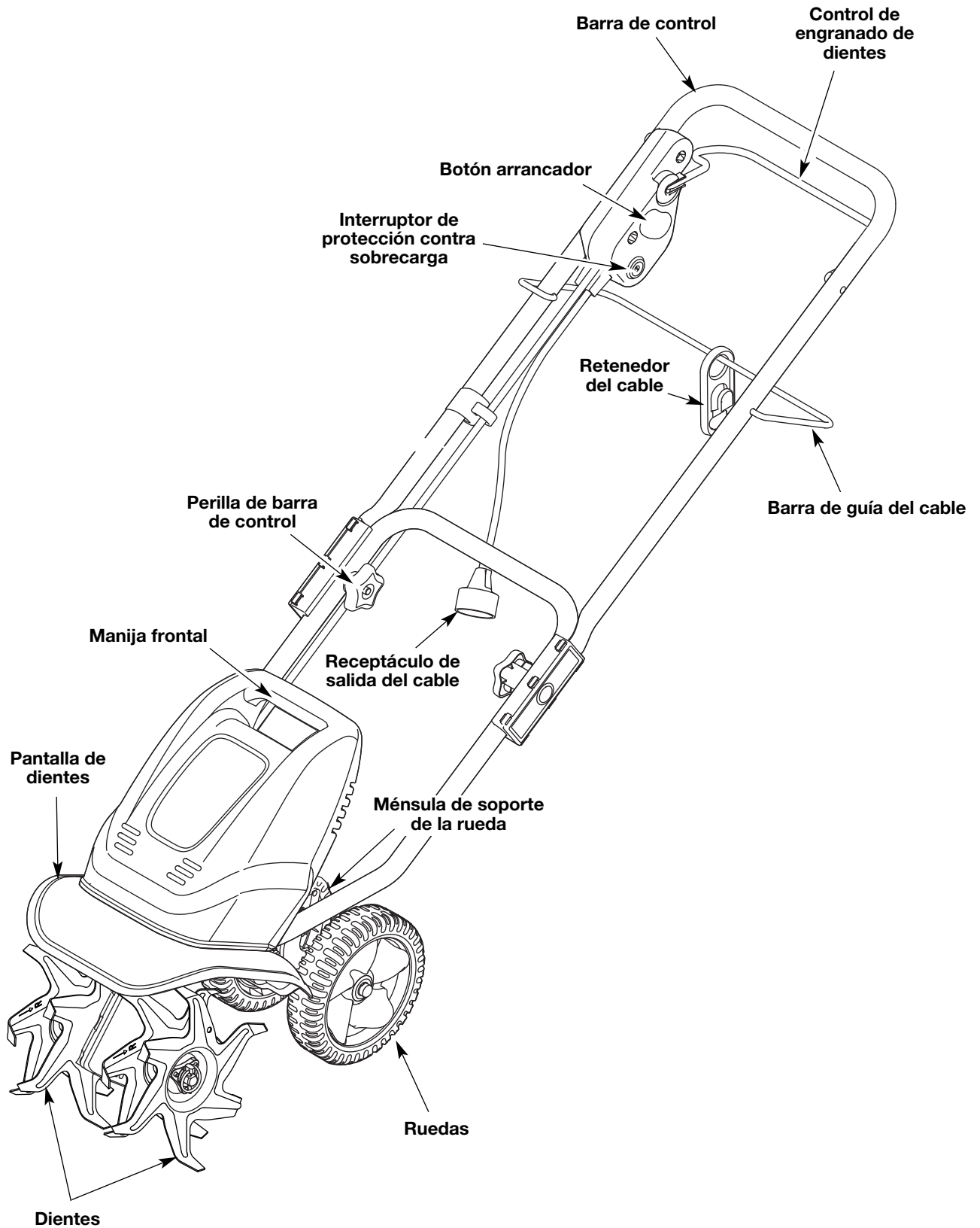
Servicio de Instalación Sears

Para la instalación de electrodomésticos, abridores de puertas de garaje, calentadores de agua, y otros productos para el hogar por profesionales de Sears, en los Estados Unidos o Canadá, llame al **1-800-4-MY-HOME®**.

CONOZCA SU UNIDAD

APLICACIONES

- Cultivar tierra herbosa y tierra negra ligera a mediana.
- Cultivar áreas de jardines, alrededor de árboles, etc.



ENSAMBLAJE DE LAS MANIJAS



ADVERTENCIA: Para evitar lesiones personales graves, no conecte prolongadores eléctricos a la unidad hasta terminar por completo el montaje de la cultivadora

Antes de que pueda operar la unidad, debe instalar las manijas.

1. Cuando desempaque la unidad, sostenga la manija en la posición que se indica en la Figura 1 y deslícela hacia las barras inferiores.
2. Alinee los orificios de la manija con los orificios de las barras inferiores e inserte los pernos a través de dichos orificios.
3. Mantenga la manija en su lugar mientras atornilla las perillas a los pernos.
4. Apriete las perillas para fijar las manijas en su lugar.

NOTA: No apriete demasiado las perillas.

5. Verifique que el asa esté montada en el conjunto del interruptor (Fig. 1, A).

NOTA: Tenga cuidado en no comprimir el cable del interruptor al colocar en posición las manijas.

6. Fije el cable del interruptor al retenedor de cable, en la barra inferior, como se indica en la inserción de la Figura 1, B.

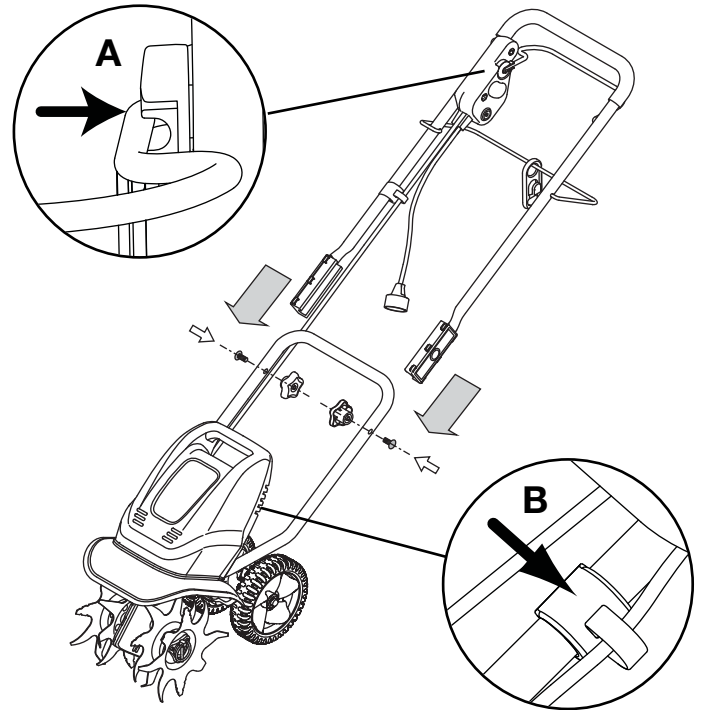


Fig. 1

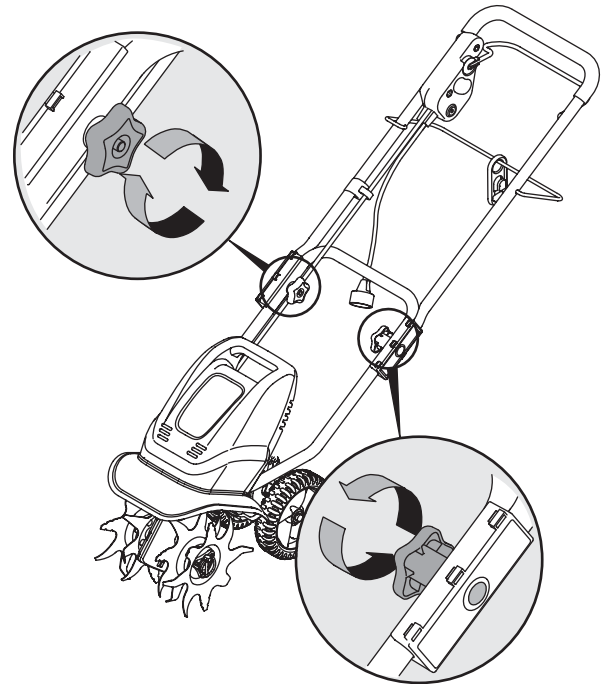


Fig. 2

USO DEL RETENEDOR DEL CABLE

En la barra de guía del cable situada en la manija superior se haya suspendido un retenedor del prolongador.

NOTA: No enchufe el prolongador al receptáculo de la fuente de alimentación (salida) antes de dirigirlo a través del retenedor del cable y conectar el prolongador al receptáculo de salida del cable de la cultivadora.

Para dirigir de forma adecuada su prolongador a través del retenedor del cable:

1. Aproximadamente a ocho pulgadas de su extremo, doble el prolongador para formar un lazo ajustado.
2. Empuje dicho lazo a través del orificio inferior del retenedor del cable (Fig. 3).

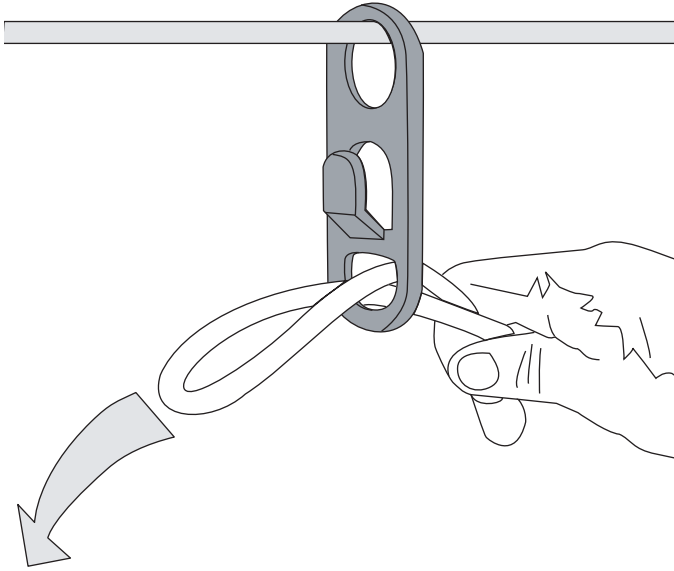


Fig. 3

3. Posicione el lazo sobre el broche que hay en el retenedor del cable y estire hacia abajo hasta que el cable encaje cómodamente en el broche (Fig. 4).

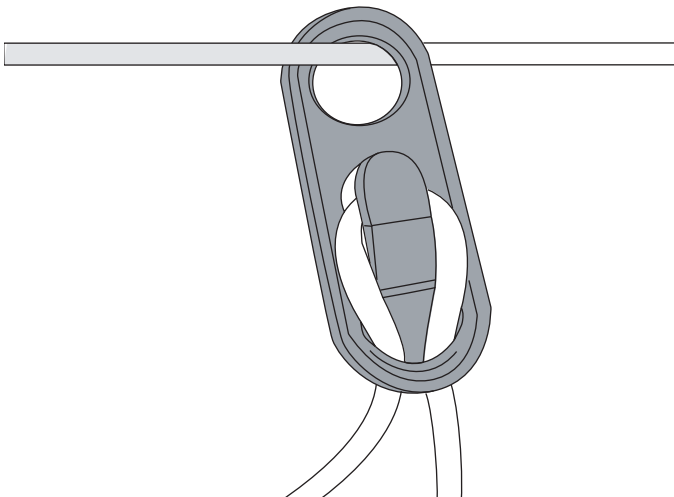


Fig. 4

NOTA: Utilice un prolongador aprobado por UL. Se recomienda un cable de calibre 14 y 100 pies. Es aceptable un cable de calibre 16 y 50 pies. Consulte la pequeña tabla que aparece en la página 3.

El retenedor del cable y la barra de guía colaboran para asegurar su prolongador y limitar de forma segura su movimiento.

El retenedor del cable (junto con el prolongador) se desliza a lo largo de la barra de guía a medida que la cultivadora se mueve hacia la izquierda o la derecha (Fig. 5).

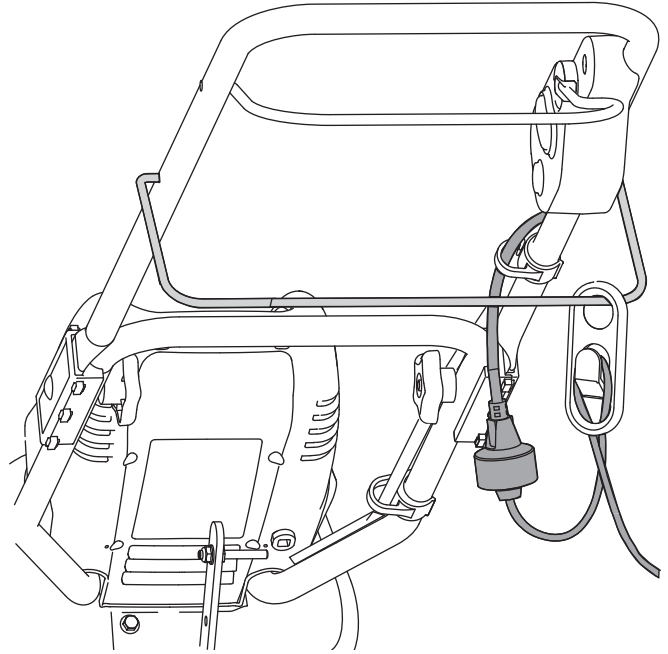


Fig. 5

INSTRUCCIONES DE ARRANQUE



ADVERTENCIA: Evite arranques accidentales. Asegúrese de que está en posición de funcionamiento detrás de la cultivadora cuando la utilice. Para evitar lesiones graves, tanto el operador como la unidad deben estar en una posición estable durante el arranque.

Conexión a una fuente de alimentación eléctrica

NOTA: Conecte el prolongador a la cultivadora tal y como se indica en la página anterior antes de enchufar el prolongador a una salida eléctrica.

1. Enchufe el prolongador a cualquier salida conveniente (interior o exterior) conectada a tierra de 120 volt. y 60 ciclos CA. Su cultivadora funcionará de forma satisfactoria en un circuito con un disyuntor de 15 amperios.

NOTA: Para evitar que se disparen los disyuntores del circuito, seleccione una salida en un circuito que no esté sobrecargado. NO seleccione una salida que esté en un circuito que albergue dispositivos como un refrigerador.

2. Permanezca detrás de la cultivadora, en posición de funcionamiento.
3. Haga pivotar la cultivadora ligeramente hacia atrás, de manera que su peso se apoye sobre las ruedas y los dientes, y NO entre en contacto con el piso.
4. Oprima el botón arrancador (rojo) y manténgalo oprimido (Fig. 6). **NOTA:** Al arrancar el motor de la cultivadora también se inicia la acción de cultivar.

NOTA: Arrancar el motor del cultivador también inicia la acción de cultivo.

5. Mientras mantiene oprimido el botón arrancador, haga pivotar el gancho hacia arriba contra la manija (Fig. 6, no. 2) para arrancar el motor y engranar los dientes.

NOTA: El motor de la cultivadora NO arrancará si no se mantiene oprimido el botón arrancador mientras se pivota el gancho hacia arriba.

6. Suelte el botón arrancador (rojo), y tome a la vez la manija y el gancho con ambas manos (Fig. 7).

INSTRUCCIONES DE APAGADO

1. Suelte el gancho.
2. El botón del arrancador se soltará, el gancho pivotará hacia abajo y el motor se detendrá.

INTERRUPTOR DE PROTECCIÓN CONTRA SOBRECARGA

Este cultivador está equipado con un interruptor de protección de sobrecarga para evitar que se dañe el motor debido a recalentamiento. Si el interruptor de protección de sobrecarga se dispara:

1. Suelte el gancho y NO vuelva a arrancar la cultivadora durante al menos un minuto, dando tiempo al motor eléctrico para que se enfríe.
2. Oprima el interruptor de protección contra sobrecarga para restablecer (Fig. 6, no. 3).

Si la protección contra sobrecarga se activa poco después de restablecer:

1. Suelte el gancho y NO reinicie la cultivadora durante al menos 15 minutos para dar un tiempo extra al motor eléctrico para que se enfríe.
2. Oprima el interruptor de protección contra sobrecarga para restablecer.
3. Vuelva a arrancar la unidad.

NOTA: Si el interruptor de protección de sobrecarga se dispara repetidamente durante el funcionamiento o no se mantiene oprimido al tratar de restablecer el motor, comuníquese con el Centro de Piezas de Repuesto y Reparaciones de Sears para que lo reparen.

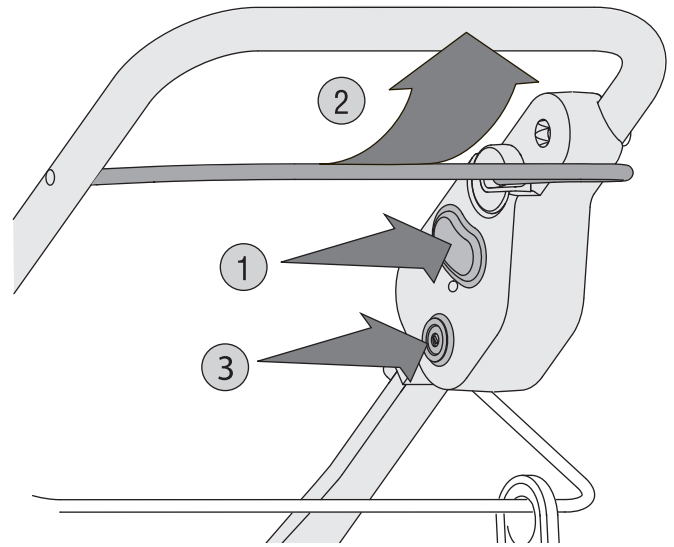


Fig. 6

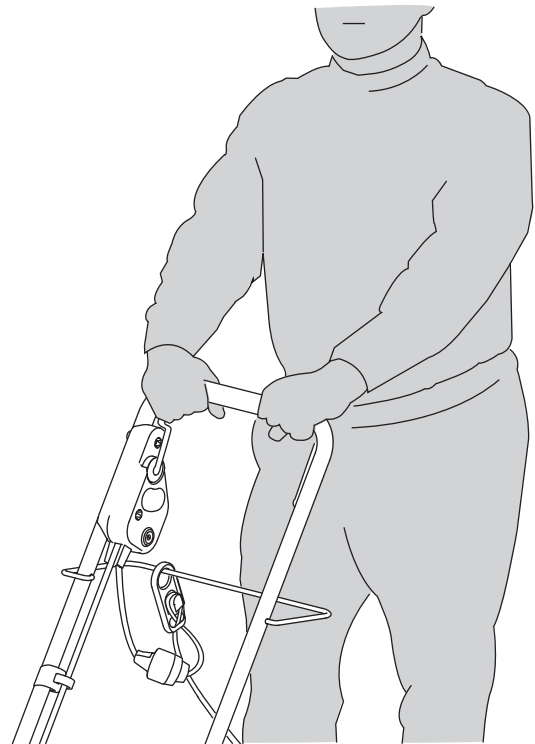


Fig. 7

AJUSTE DE LA MÉNSULA DE SOPORTE DE LA RUEDA



ADVERTENCIA: Evite arranques accidentales. Detenga el motor y desconecte el prolongador antes de ajustar la ménsula de soporte de las ruedas.

Para ajustar la ménsula de soporte de la rueda proceda de la siguiente manera:

1. Extraiga la chaveta de retén de la chaveta de horquilla y deslice la chaveta hasta extraerla de la ménsula de la pieza posterior (Fig. 8).

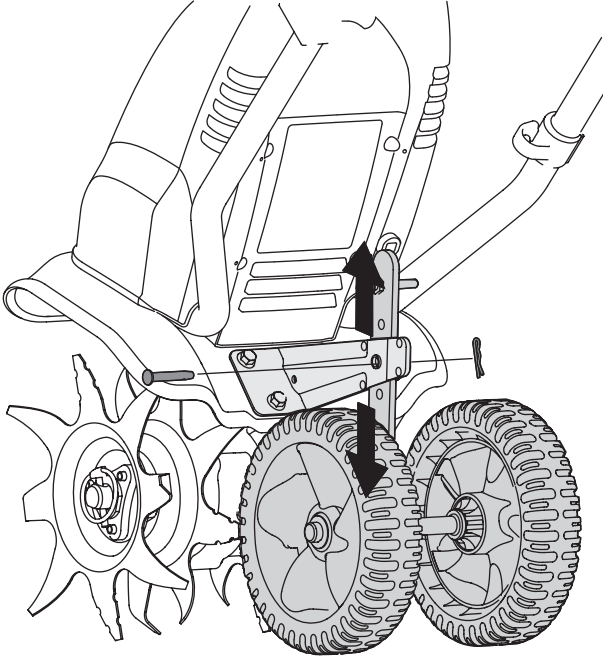


Fig. 8

2. Deslice la ménsula de soporte de la rueda hacia arriba o hacia abajo en la pieza posterior, alineando los orificios a la altura deseada.
3. Sitúe la chaveta de la horquilla a través del orificio y asegúrelo con una chaveta de retén.

USO DE SU CULTIVADORA



ADVERTENCIA: Nunca levante ni transporte la máquina cuando el motor esté en funcionamiento. Se podrían producir lesiones personales graves.

1. Mueva la cultivadora al área de trabajo antes de arrancar el motor. Transporte la cultivadora empujando o tirando de ella por sus ruedas. O puede mover la cultivadora mediante su manija frontal.
2. Arranque la cultivadora siguiendo todos los pasos que aparecen en INSTRUCCIONES DE ARRANQUE en la página anterior.
3. Con ambas manos en la manija superior, pivote lentamente la cultivadora hacia delante hasta que los dientes hagan contacto con el piso.



ADVERTENCIA: Evite el riesgo de lesiones. Mantenga el prolongador separado de la ruta de cultivo en todo momento. No permita que los dientes entren en contacto con el prolongador.

4. Una vez que los dientes estén en tierra, cultive a un paso moderado hasta que se haya familiarizado con los controles y el manejo de la cultivadora.

NOTA: Esté atento a la ubicación del prolongador en todo momento. No deje que los dientes de la cultivadora entren en contacto con el prolongador durante el funcionamiento.

5. Para ajustar la profundidad de cultivo, ajuste la ménsula de soporte de la rueda. Consulte la sección "Ajuste de la ménsula de soporte de la rueda".

NOTE: Se recomienda una profundidad de dos a tres pulgadas (50,8 - 76,2 mm) para el cultivo. Cuando trace las hileras de plantas, asegúrese de dejar un ancho suficiente para el cultivo entre dichas hileras.

INSTRUCCIONES DE OPERACIÓN



ADVERTENCIA: Para evitar lesiones graves, nunca realice el mantenimiento ni las reparaciones con la unidad en funcionamiento. Realice dichas tareas siempre con la unidad fría.



ADVERTENCIA: Evite arranques accidentales. Detenga el motor y desconecte el prolongador antes de realizar tareas de mantenimiento o reparaciones.

EXTRACCIÓN Y REEMPLAZO DE LOS DIENTES

Todos los dientes de su cultivadora están sujetos a desgaste, y se deben reemplazar cuando presenten signos de daño. Los dientes también se deben retirar para limpiarlos tras cada uso.



ADVERTENCIA: Dientes de la cultivadora son muy afilados. Utilice siempre guantes de cuero para proteger sus manos cuando manipule los dientes.

Para reemplazar los dientes de la cultivadora:

1. Retire la chaveta de trinquete de cada extremo del árbol de dientes.

NOTE: Cada montaje de dientes está estampado con "A" o "B" (Fig. 9). Tome nota de la ubicación de cada diente en el eje para facilitar su montaje de nuevo.



ADVERTENCIA: nunca realice el mantenimiento ni con una manguera. Evite que el agua entre en las reparaciones con la unidad en contacto con el motor y las conexiones funcionamiento. Realice dichas tareas eléctricas

2. Retire con cuidado cada montaje de dientes de los ejes de dientes.
3. Limpie cada eje de dientes con un trapo húmedo y aplique a cada eje una capa ligera de aceite (por ejemplo, 3-N-One) o lubricante a base de silicona. NO use WD-40.
4. Enjuague cada montaje de dientes con agua y seque completamente cada uno de ellos antes de volver a ubicarlo en el eje de dientes.
5. Vuelva a insertar cada chaveta de trinquete para asegurar los montajes de dientes en su lugar.

Consejos para volver a ubicar los dientes

- Cada eje de dientes sostiene un montaje de dientes estampado con "A" y un montaje de dientes estampado con "B".
- Los extremos de campana en cada uno de los montajes (en cada eje) deben estar uno frente a otro (Fig. 9).
- El buje de cada montaje de dientes (Fig. 9) debe estar orientado hacia afuera (lejos de la caja de engranajes de la cultivadora).

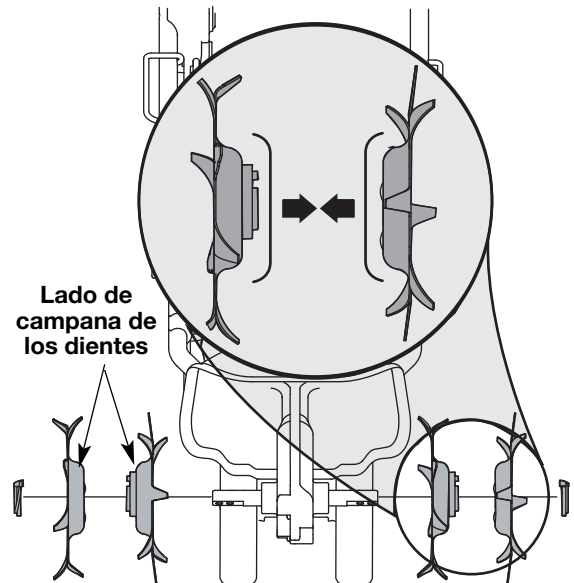
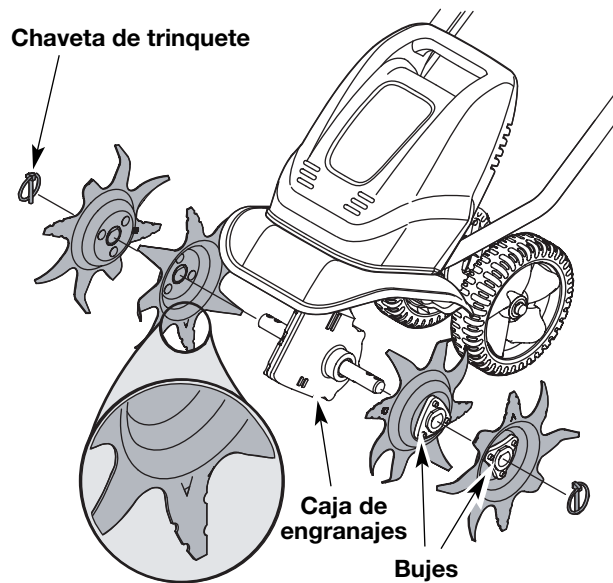


Fig. 9

RESOLUCIÓN DE PROBLEMAS

EL MOTOR NO ARRANCA

CAUSA

- La unidad está desenchufada
- Botón arrancador o gancho mal usados
- El interruptor de protección contra sobrecarga

ACCION

- Asegúrese de que el prolongador está enchufado de iforma segura en el receptáculo de salida del cable de la cultivadora en un extremo, y en una salida de 120V. en el extremo contrario.
- Oprima el botón arrancador y manténgalo oprimido mientras presiona el gancho contra la manija.
- Oprima el interruptor de protección contra se ha disparado sobrecarga. Siga las instrucciones de arranque.

¿NECESITA MÁS AYUDA?

Encontrará la respuesta y mucho más en managemyhome.com – gratis!

- Busque este y todos sus demás manuales de productos en línea.
- Obtenga respuestas de nuestros expertos en productos para el hogar.
- Reciba un plan de mantenimiento personalizado para su hogar.
- Encuentre la información y las herramientas que le ayudarán en sus proyectos para su hogar.

manage my home

presentado por Sears

ESPECIFICACIONES

MOTOR*

Tipo de motor	Eléctrico de 120 V
CARPM operativas	hasta 8000 rpm
Interruptor de encendido	Botón de seguridad con bloqueo por gancho
Amperaje	.6,5 Amp
Protección contra sobrecarga	.Disyuntor de 5 amp y 120 V

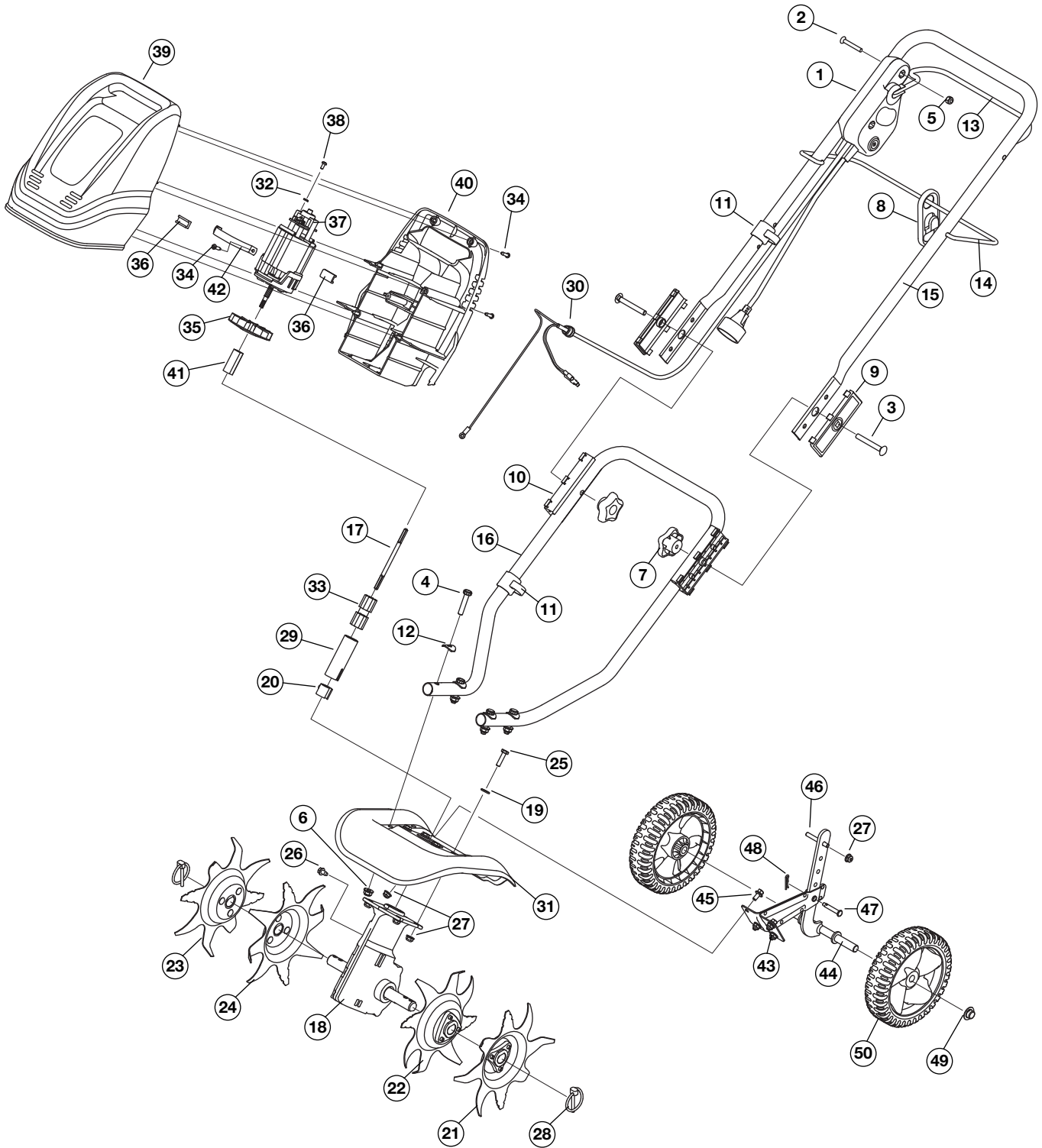
CULTIVADOR*

Tubo del eje de la transmisión	Tubo de acero
Manija	Tubo de acero
Ancho de la trayectoria de cultivo (Máximo)	22,86 cm (9 pulgadas)
Profundidad de cultivo (Máximo)	15,24 cm (6 pulgadas)
Peso aproximado (sin combustible)	12,25 kg (27 libras)

* Toda las especificaciones contenidas en este manual se basan en la información más reciente disponible en el momento de impresión del manual. Nos reservamos el derecho de hacer cambios en cualquier momento sin aviso previo.

PARTS LIST

REPLACEMENT PARTS - MODEL C459.627020
ELECTRIC CULTIVATOR



PARTS LIST**REPLACEMENT PARTS - MODEL C459.627020
ELECTRIC CULTIVATOR**

Item	Part No.	Description	Item	Part No.	Description
1	625-04027A	Switch Assembly	26	4543	Bolt
2	710-04213	Screw	27	712-04064	Nut
3	710-0572	Bolt	28	753-04070	Lynch Pin
4	710-0805	Screw	29	753-04441	Boom Tube
5	912-0324	Nut	30	753-04428	Cord Bushing
6	712-04063	Nut	31	753-04067	Tine Shield
7	720-04052	Knob	32	1625	Lock Washer
8	726-0368	Cord Retainer	33	1A2679	Flex Tube Assembly
9	731-05178	Upper Handle Insulator	34	753-05274	Screw
10	791-05186	Lower Handle Insulator	35	50004	Fan
11	753-04429	Cable Guide	36	50545	Motor Pad
12	736-0451	Saddle Washer	37	924-04008	Motor Assembly
13	747-04375	Control Bail	38	791-145569	Screw
14	747-04376A	Guide Rod	39	731-05207	Front Motor Cover
15	749-04210	Upper Handle	40	731-05208	Rear Motor Cover
16	749-1295A	Lower Handle	41	748-04085	Motor Hub
17	10055-20	Flex Shaft	42	786-04268	Motor Strap
18	753-04075	Gearbox	43	753-04058	Bracket Assembly
19	791-182678	Washer	44	753-04063	Wheel Support Bracket Assembly
20	753-04078	Sleeve	45	710-04468	Screw
21	753-04071	Outer Tine Assembly	46	911-0993	Belt Guard Pin
22	753-04072	Inner Tine Assembly	47	711-1017	Clevis Pin
23	753-04073	Outer Tine Assembly	48	914-0104	Cotter Pin
24	753-04074	Inner Tine Assembly	49	726-0299	Push Cap
25	710-0597	Screw	50	734-1988	Wheel

Get it fixed, at your home or ours!

Your Home

For repair – **in your home** – of **all** major brand appliances, lawn and garden equipment, or heating and cooling systems, **no matter who made it, no matter who sold it!**

For the replacement parts, accessories and owner's manuals that you need to do-it-yourself.

For Sears professional installation of home appliances and items like garage door openers and water heaters.

1-800-4-MY-HOME[®] (1-800-469-4663)

Call anytime, day or night (U.S.A. and Canada)

www.sears.com www.sears.ca

Our Home

For repair of carry-in items like vacuums, lawn equipment, and electronics, call or go on-line for the location of your nearest **Sears Parts & Repair Center.**

1-800-488-1222

Call anytime, day or night (U.S.A. only)

www.sears.com

To purchase a protection agreement (U.S.A.) or maintenance agreement (Canada) on a product serviced by Sears:

1-800-827-6655 (U.S.A.)

1-800-361-6665 (Canada)

Para pedir servicio de reparación a domicilio, y para ordenar piezas:

1-888-SU-HOGARSM

(1-888-784-6427)

Au Canada pour service en français:

1-800-LE-FOYER^{MC}

(1-800-533-6937)

www.sears.ca



® Registered Trademark / TM Trademark / SM Service Mark of Sears, Roebuck and Co.

® Marca Registrada / TM Marca de Fábrica / SM Marca de Servicio de Sears, Roebuck and Co.

^{MC} Marque de commerce / ^{MD} Marque déposée de Sears, Roebuck and Co.

© Sears, Roebuck and Co.

Free Manuals Download Website

<http://myh66.com>

<http://usermanuals.us>

<http://www.somanuals.com>

<http://www.4manuals.cc>

<http://www.manual-lib.com>

<http://www.404manual.com>

<http://www.luxmanual.com>

<http://aubethermostatmanual.com>

Golf course search by state

<http://golfingnear.com>

Email search by domain

<http://emailbydomain.com>

Auto manuals search

<http://auto.somanuals.com>

TV manuals search

<http://tv.somanuals.com>