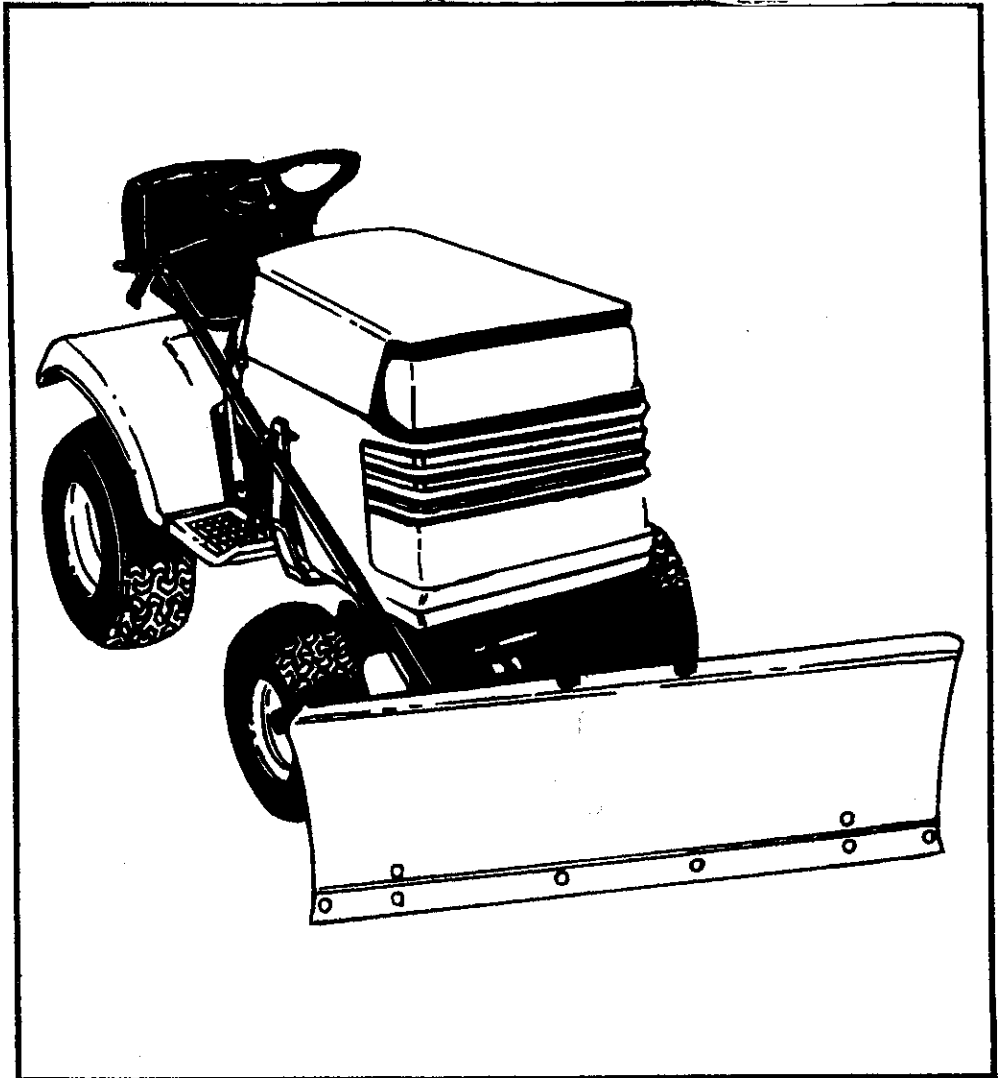


SEARS
owners
manual

Model No.
486.244120
48"
DOZER BLADE



48" DOZER BLADE

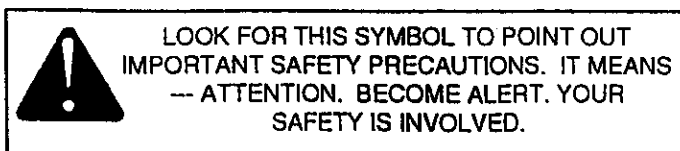
CAUTION:
Read Rules for
Safe Operation
and Instructions
Carefully

- Assembly
- Operation
- Customer Responsibilities
- Repair Parts

Sears, Roebuck and Co., Hoffman Estates, IL. 60179 U.S.A.

RULES FOR SAFE OPERATIONS

Remember, any power equipment can cause injury if operated improperly or if the user does not understand how to operate the equipment.

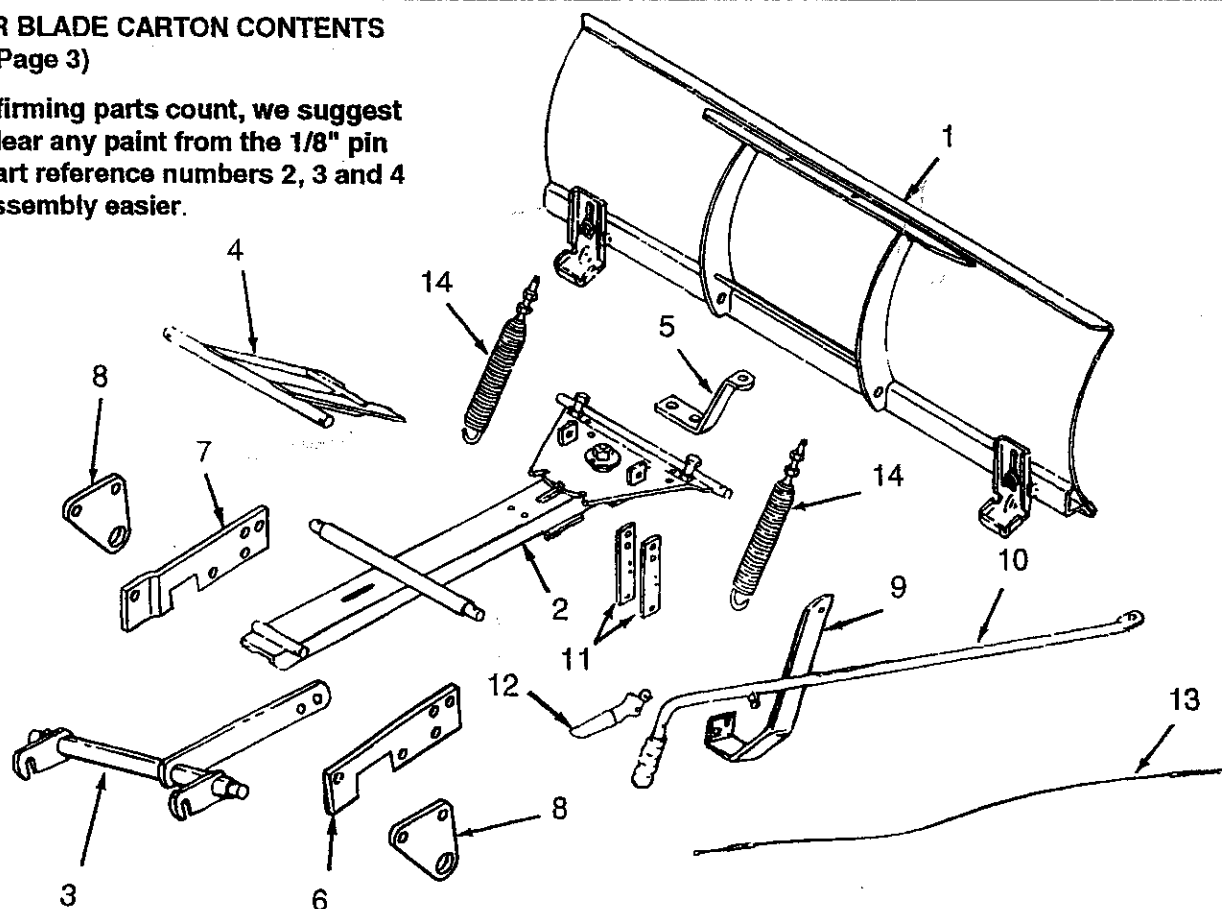


Exercise caution at all times, when using power equipment.

1. Read the tractor and dozer blade owners manuals and know how to operate your tractor, before using tractor with the dozer blade attachment.
2. Never operate tractor and dozer blade without wearing proper clothing suited to weather conditions and operation of controls.
3. Never allow children to operate tractor and dozer blade, and do not allow adults to operate without proper instructions.
4. Always begin with transmission in first (low) gear and gradually increase speed as required.

48" DOZER BLADE CARTON CONTENTS (Also See Page 3)

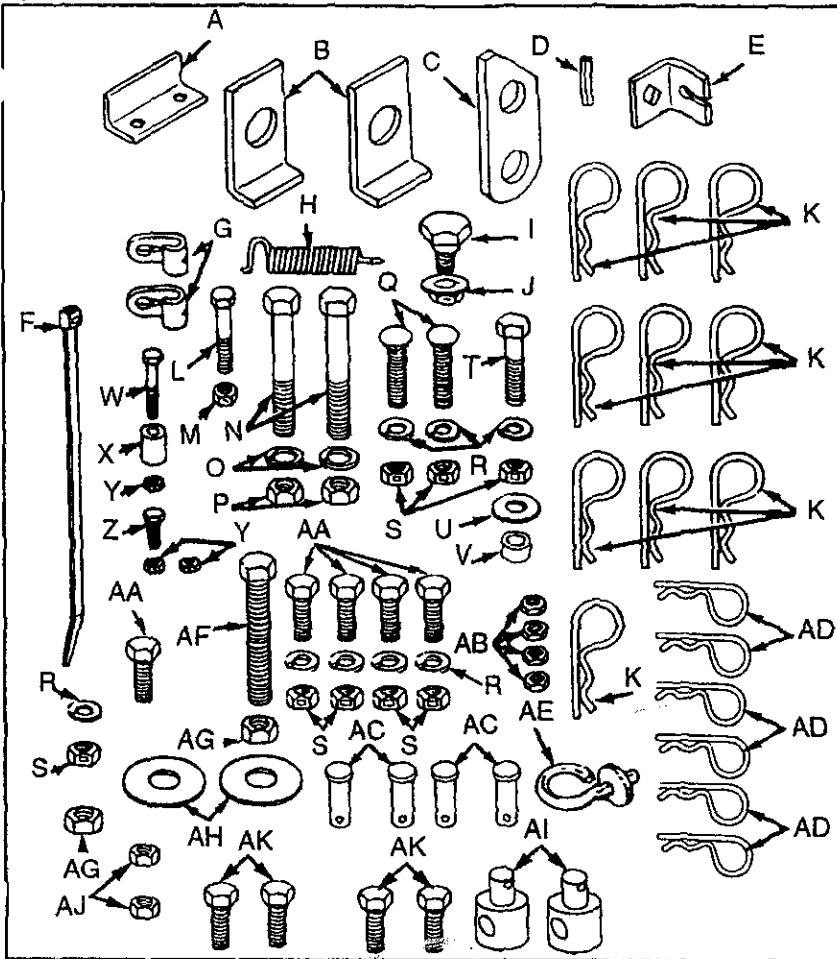
While confirming parts count, we suggest that you clear any paint from the 1/8" pin holes in part reference numbers 2, 3 and 4 to make assembly easier.



CARTON CONTENTS

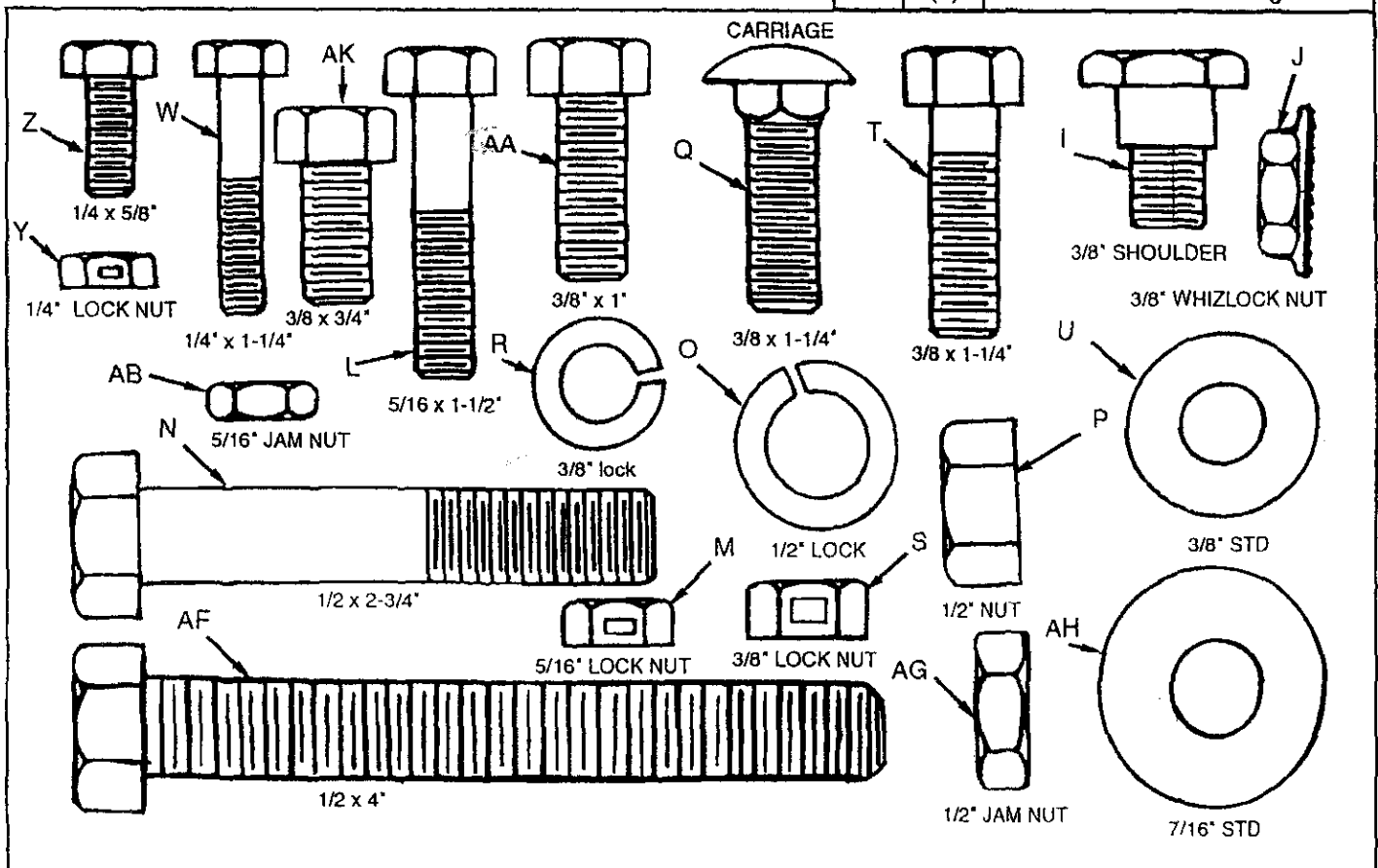
REF. NO.	QTY.	DESCRIPTION	REF. NO.	QTY.	DESCRIPTION
1	(1)	Blade Assembly	8	(2)	Lift Pivot Plate
2	(1)	Channel/Pivot Plate Assembly	9	(1)	Support Bracket
3	(1)	Lift Assembly	10	(1)	Handle Assembly w/grip
4	(1)	Guide Bracket Assembly	11	(2)	Angle Lock Bars
5	(1)	Blade Pivot Bracket	12	(1)	Grip Assembly
6	(1)	Frame Bracket (RH)	13	(1)	Control Cable Assembly
7	(1)	Frame Bracket (LH)	14	(2)	Spring Assembly
				(1)	Parts Package (Shown on Page 3)

CONTENTS OF PARTS PACKAGE (Figure 1)



REF.	QTY.	DESCRIPTION
A	(1)	Stop Angle
B	(2)	Keeper Plate
C	(1)	Lift Arm Link
D	(1)	Spring Pin 1/4 x 1"
E	(1)	Cable Mount Bracket
F	(1)	Nylon tie
G	(2)	Cable Fitting, End
H	(1)	Angle Lock Spring
I	(1)	Shoulder Bolt
J	(1)	Hex Whizlock Nut 3/8-16 Thread
K	(10)	Hairpin Cotter 1/8"
L	(1)	Hex Bolt 5/16-18 x 1-1/2"
M	(1)	Hex Lock Nut 5/16-18 Thread
N	(2)	Hex Bolt 1/2-13 x 2-3/4"
O	(2)	Lock Washer 1/2"
P	(2)	Hex Nut 1/2-13 Thread
Q	(2)	Carriage Bolt 3/8-16 x 1-1/4"
R	(8)	Lock Washer 3/8"
S	(8)	Hex Lock Nut 3/8-16 Thread
T	(1)	Hex Bolt 3/8-16 x 1-1/4"
U	(1)	Flat Washer 3/8" Std.
V	(1)	Pivot Bushing (short)
W	(1)	Hex Bolt 1/4-20 x 1-1/4"
X	(1)	Spacer (long)
Y	(3)	Hex Lock Nut 1/4-20 Thread
Z	(1)	Hex Bolt 1/4-20 x 5/8"
AA	(5)	Hex Bolt 3/8-16 x 1"
AB	(4)	Hex Jam Nut 5/16-24 Thread
AC	(4)	Clevis Pin 3/8" Dia. x 3/4" Lg.
AD	(6)	Hairpin Cotter 5/32"
AE	(1)	Handle Guide
AF	(1)	Hex Bolt 1/2-13 x 4" Lg.
AG	(2)	Hex Jam Nut 1/2-13
AH	(2)	Flat Washer 7/16" Std.
AI	(2)	Lift Rod Trunnion
AJ	(2)	Hex Nut 3/8-16 Thread
AK	(4)	Hex Bolt 3/8-18 x 3/4" Lg.

FIGURE 1



ASSEMBLY INSTRUCTIONS

TOOLS REQUIRED FOR ASSEMBLY

- 1) 7/16" Open End or Box Wrench
- 1) 1/2" Open End or Box Wrench
- 1) 9/16" Open End or Box Wrench
- 1) 3/4" Open End or Box Wrench
- 1) Adjustable Wrench
- 1) Hammer

Refer to carton contents figure on page 2 and figure 1 on page 3 for parts and hardware needed to assemble dozer blade.



RIGHT HAND (R.H.) AND LEFT HAND (L.H.) ARE DETERMINED FROM OPERATOR'S POSITION WHILE SEATED ON TRACTOR.

1. Assemble curved end of angle lock spring into small hole in washer as shown in figure 2.

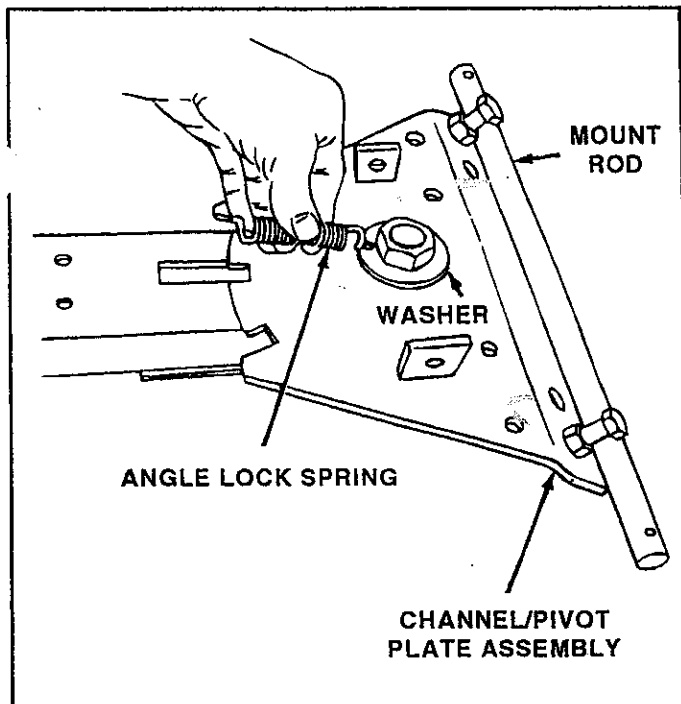


FIGURE 2

2. Assemble the two angle lock bars together as shown in figure 3, using one 3/8" x 1-1/4" carriage bolt down through the top holes with a 3/8" lock washer and a 3/8" hex nut underneath. **Do not tighten at this time.**

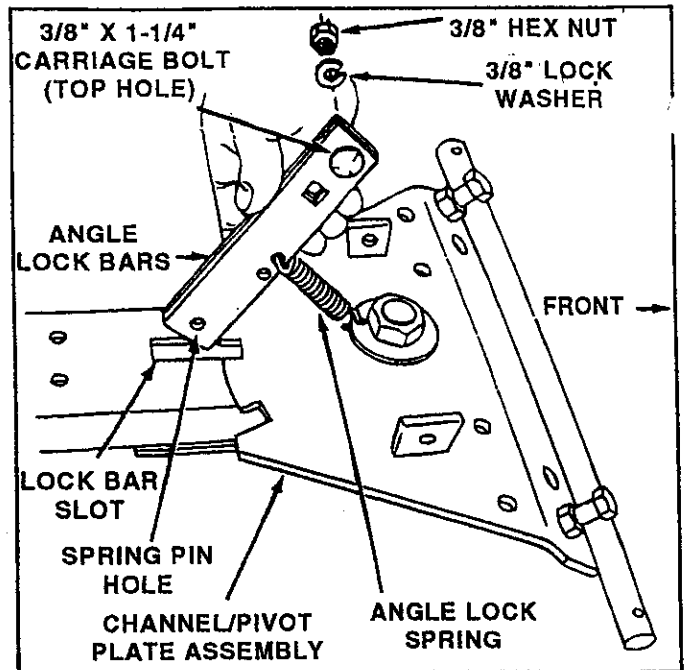


FIGURE 3

3. Assemble the offset end of angle lock spring into small holes in angle lock bars as shown in figure 3. Slide lock bars through lock bar slot until spring pin hole is aligned with bracket on back side. See figure 4. Using a hammer drive 1/4" x 1" spring pin into lock bars until flush with bracket. See figure 4. Tighten nut in angle lock bars which was left loose in step 2.

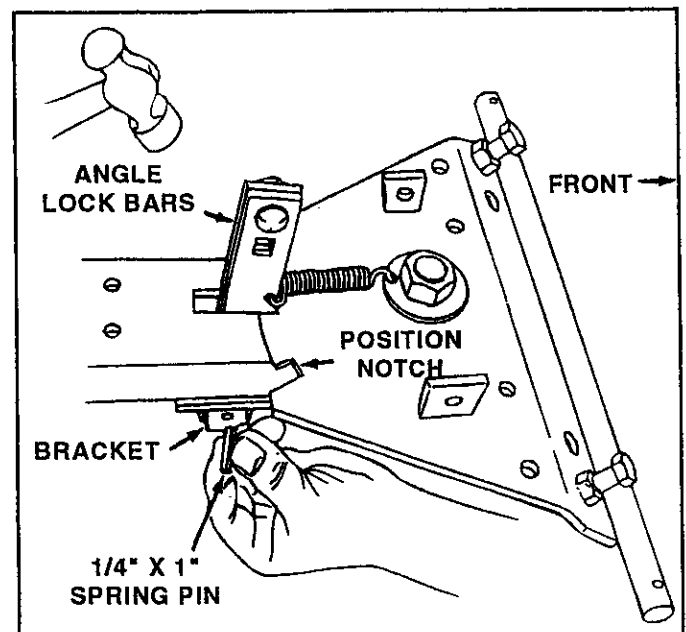


FIGURE 4



Lock bars should pivot freely and when pulled all the way back the channel/pivot plate assembly should be unlocked and free to pivot to right or left position notches.

- Assemble angle stop to top of channel using one 1/4" x 5/8" hex bolt down through left hand hole, and one 1/4" hex lock nut under channel. See figure 5. Do not tighten at this time.

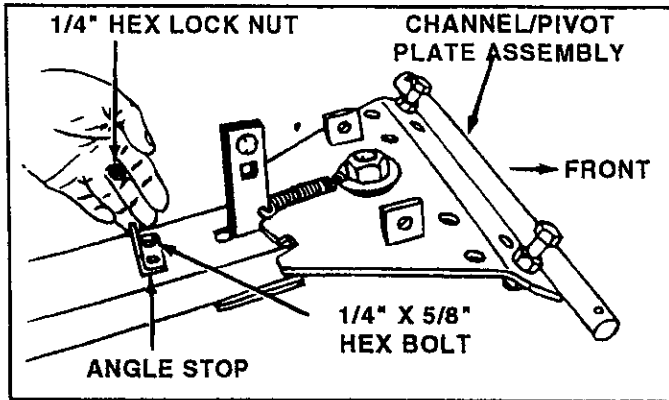


FIGURE 5

- Assemble 3/8" x 1-1/4" carriage bolt through square hole in cable mount bracket and through square hole in lock bars. See figures 6 and 7. Hold cable mount bracket in position as shown in figure 7 and secure with 3/8" lock washer and 3/8" hex lock nut.

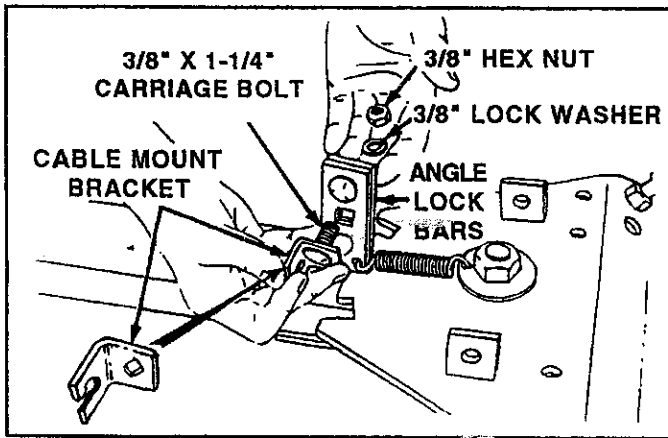


FIGURE 6

- Assemble one 5/16-24" hex jam nut onto threaded end of control cable approximately 3/4" from end. Assemble threaded cable end through round hole in cable mount bracket and secure with another 5/16-24" hex jam nut. See figure 7.

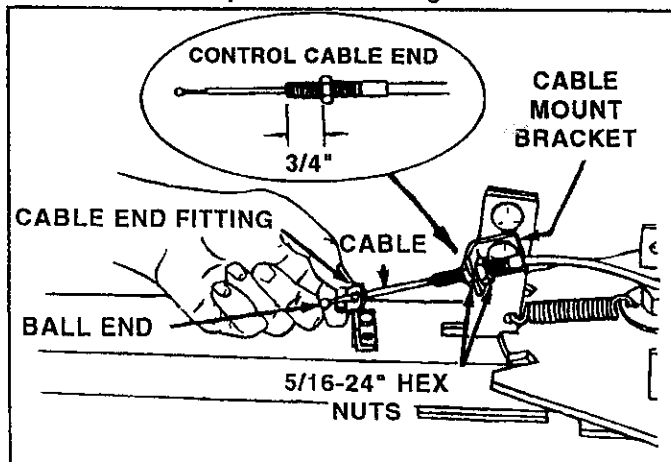


FIGURE 7

- Assemble ball end of cable through round hole in cable end fitting and into slot of fitting. See figures 7 and 8.

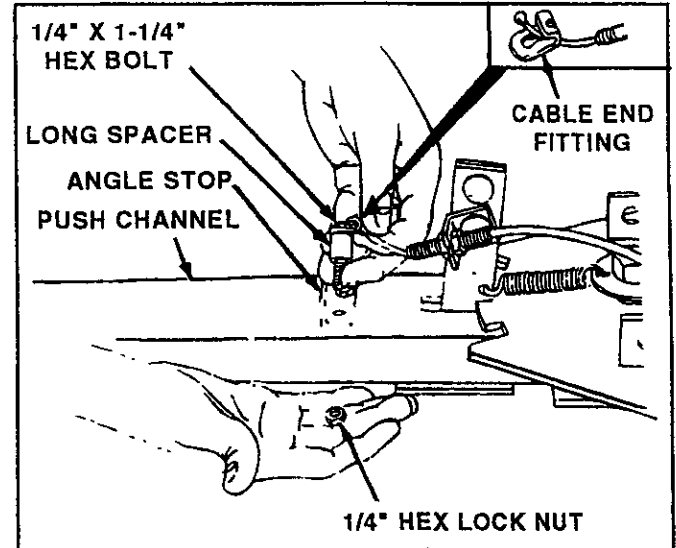


FIGURE 8

- Assemble 1/4" x 1-1/4" hex bolt down through cable end fitting, through long spacer, angle stop, (right hand hole) and through channel. See figure 8. Secure with 1/4" hex lock nut and tighten the other 1/4" hex lock nut, which was left loose in step 4. **NOTE:** Keep cable and fitting in alignment with cable mount bracket when tightening nuts.

ASSEMBLY OF SNOW BLADE TO LAWN TRACTOR.(Tractor Preparation)

- Remove mower or any other attachment you may have mounted to your tractor. Mark all loose parts and save for re-assembly. Refer to tractor owners manual for removal of mower/attachment.
- Remove and save suspension arm with nut and washer from both lift link rods and up stop bracket with nuts and bolts from tractor frame to allow assembly of snow blade. Also remove the 3/8" self-tapping bolts from each side of the tractor frame as shown in figure 9. The lift link nuts will be used later to install snow blade brackets.

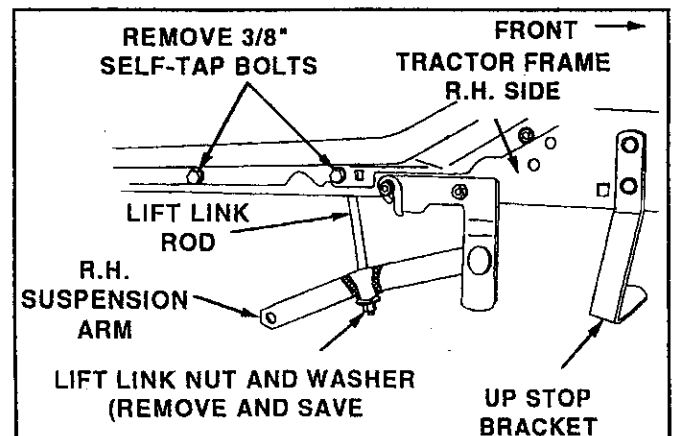


FIGURE 9

1. Assemble one 1/2" x 4" hex bolt, one 1/2" hex nut and one 7/16" standard washer into top of slotted hole in channel assembly. Assemble one 7/16" standard washer and one 1/2" hex nut on bottom of 1/2" bolt under channel assembly. See figure 10. **DO NOT TIGHTEN AT THIS TIME.**
2. Assemble channel assembly to hitch plates at front of tractor as shown in figures 10 and 11.

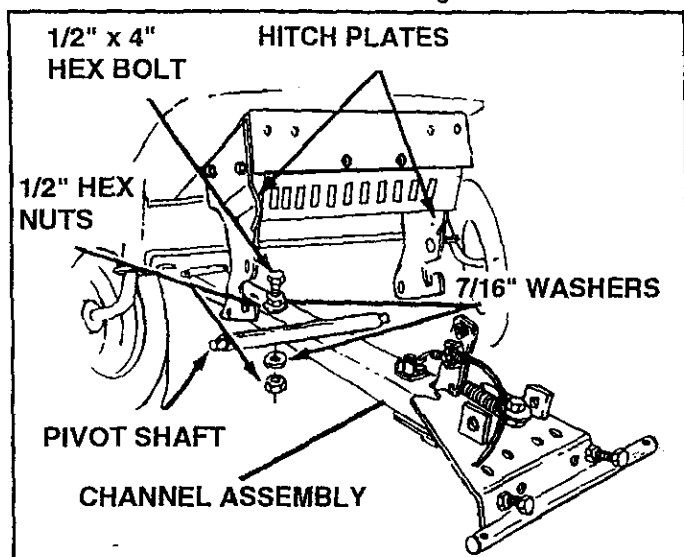


FIGURE 10

3. Assemble keeper plates over each end of pivot shaft with lip under hitch plates (see figure 11) and secure with two 1/8" (large) hairpin cotters through small holes near each end of shaft.

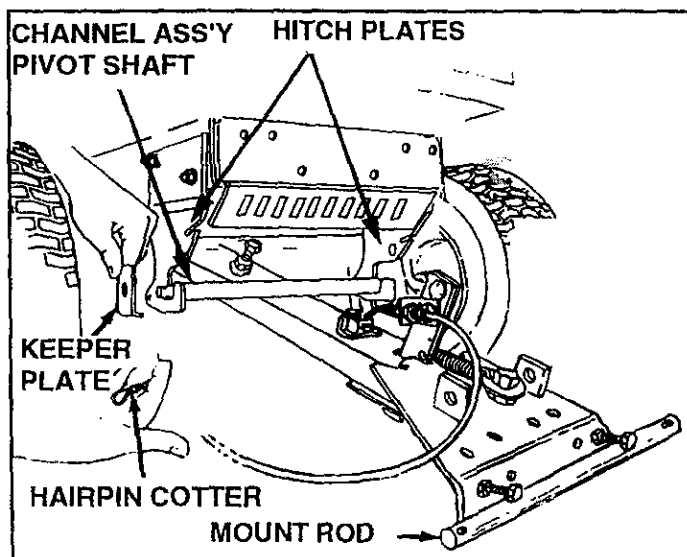


FIGURE 11

4. Adjust 1/2" x 4" stop bolt, previously assembled into channel assembly (step 1). See figure 12. Adjust hex nuts, above and below channel, to provide a **minimum 1/8" clearance** between channel and the tractor engine pulley with the stop bolt positioned against front axle frame member. See figure 12.

NOTE

The stop bolt must be located so that **CENTER** of bolt contacts the front axle. The stop bolt must be **tightened** in place before assembling blade assembly to channel.

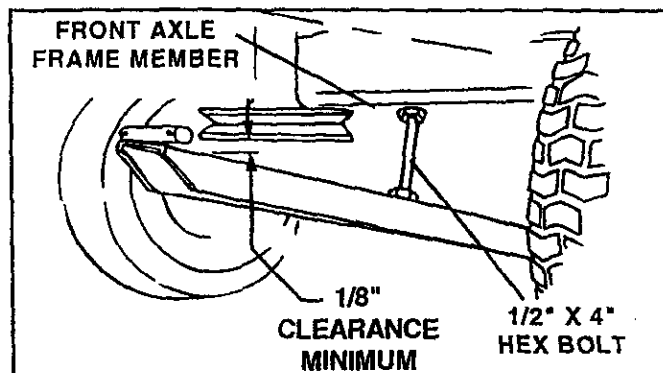


FIGURE 12

5. Hold blade head upright and guide one end of mount rod into hole near bottom of blade mount gusset. See figures 11 and 13. Secure with a hairpin cotter. Slide other end of mount rod into other blade mount gusset hole and secure with hairpin cotter.

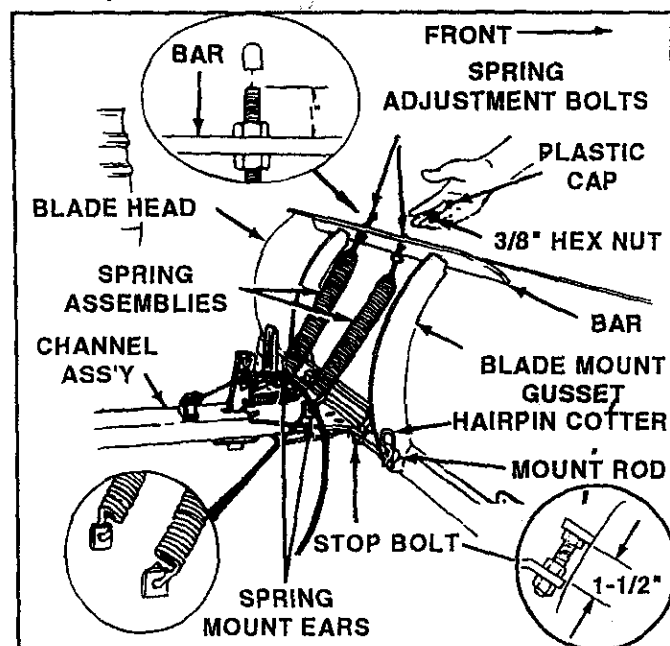


FIGURE 13

6. Connect curved end of spring assemblies into spring mount ears. See figure 13. Remove plastic cap and one 3/8" hex nut from end of each spring assembly. Hold blade back against stop bolts and assemble spring adjustment bolts up through bar. Re-assemble two 3/8" hex nuts, removed earlier, onto adjustment bolts on top side of bar. Tighten both spring adjustment nuts approximately 1" down from end of bolt threads, see figure 13, to provide tension of blade against stop bolts.
7. Adjust stop bolts to tilt blade forward until 1-1/2" distance is obtained between pivot plate and blade assembly crossmember. See figure 13.

- Re-assemble plastic caps on top ends of spring adjustment bolts.



SEE ADJUSTMENT SECTION ON
PAGE 10 FOR SPRING TENSION.

- Assemble blade pivot bracket on to top right hand side of channel/pivot assembly. See figure 14. Assemble two $3/8"$ x $1"$ hex bolts down through bracket and plate and secure with two $3/8"$ lock washers and $3/8"$ hex nuts underneath.

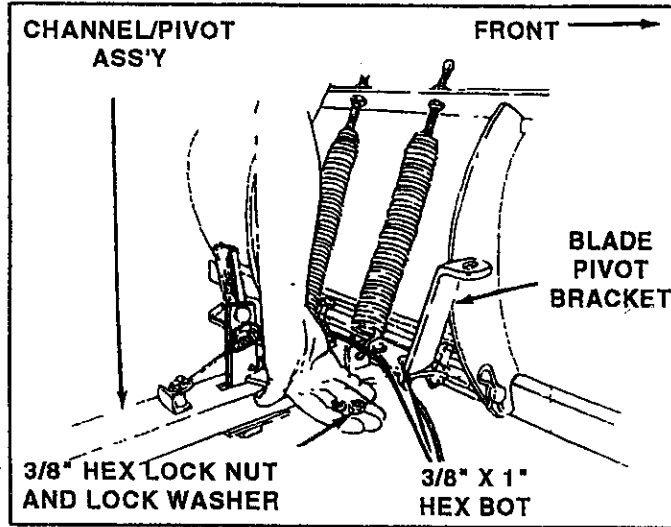


FIGURE 14

- Assemble the frame bracket (LH) under the left hand foot rest of the tractor using two $3/8"$ x $3/4"$ hex bolts. Tighten securely being careful not to strip threads. See figure 15.
- Assemble the lift pivot plate to the left hand frame bracket using two $3/8"$ x $3/4"$ clevis pins and secure with two $3/32"$ (small) hairpin cotters. See figure 15.

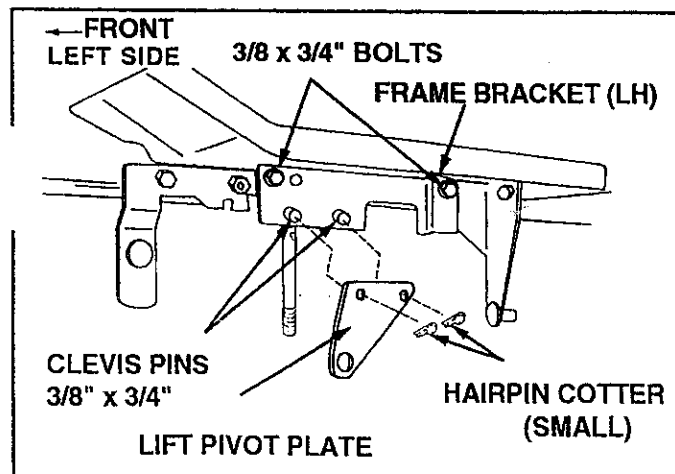


FIGURE 15

- Assemble $3/8"$ plain hex nut, lift rod trunnion and lock nut (removed from tractor lift link rod in tractor preparation section) onto right and left hand lift link rods until one thread is below bottom of nut. Tighten nuts lock trunnion in place. See figure 16.

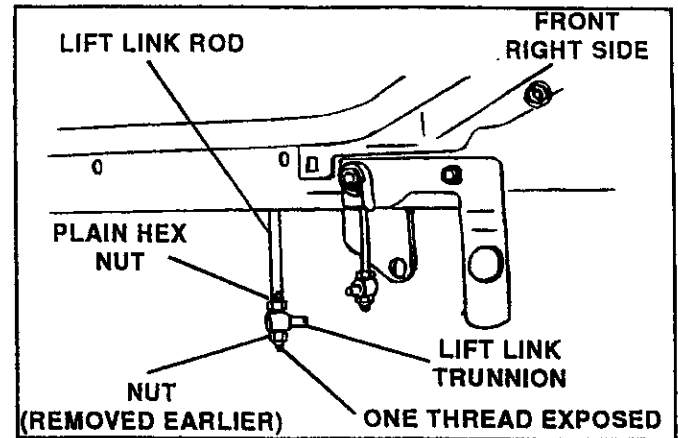


FIGURE 16

- Pre-assemble lift arm link to inside of long arm on lift assembly. As shown in figure 17.
- Assemble one $3/8"$ x $1-1/4"$ hex bolt through $3/8"$ flat washer, through pivot bushing, through large hole in lift arm link near angle end and through hole in long arm nearest the end. Secure with one $3/8"$ lock washer and one $3/8"$ hex lock nut. See figure 17. NOTE: Lift arm link must pivot freely.

- Assemble one $3/8"$ x $1"$ hex bolt through second hole from end of long arm. Secure with one $3/8"$ lock washer and one $3/8"$ hex lock nut. This bolt is used as a limit stop for the lift arm link. See figure 17.

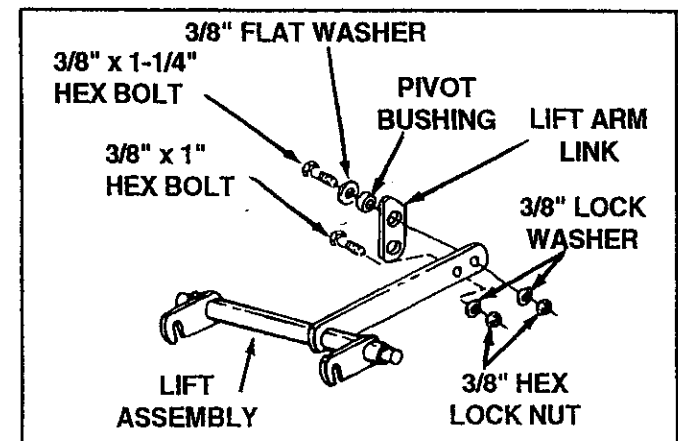


FIGURE 17



Lift arm link must be positioned
as shown in figures 17 and 19.

16. Relieve spring tension on lift lever (see figure 18 and note below) loosening hex jam nut and unscrewing adjustment bolt counter-clockwise to obtain 1/4" clearance between bracket and adjustment bolt.



Tractor lift lever must be positioned all the way back and locked in position.

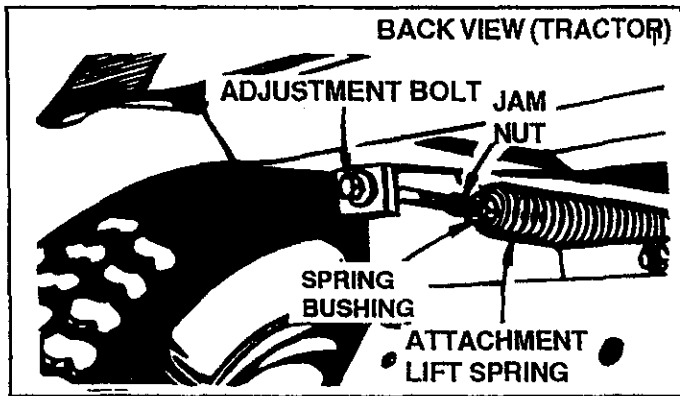


FIGURE 18

17. Move attachment lift lever all the way forward and lock in position. See figure 28 on page 10.

18. Assemble lift arm link over channel rod and insert pivot shaft end (from R.H. side of tractor) into hole in L.H. lift pivot plate. See figure 19. Secure lift arm link to channel rod with 1/8" (large) hairpin cotter. See figure 19

19. Assemble the frame bracket (RH) under the right hand foot rest of the tractor using two 3/8 x 3/4" hex bolts. Tighten securely taking care not to strip threads. See figure 19.

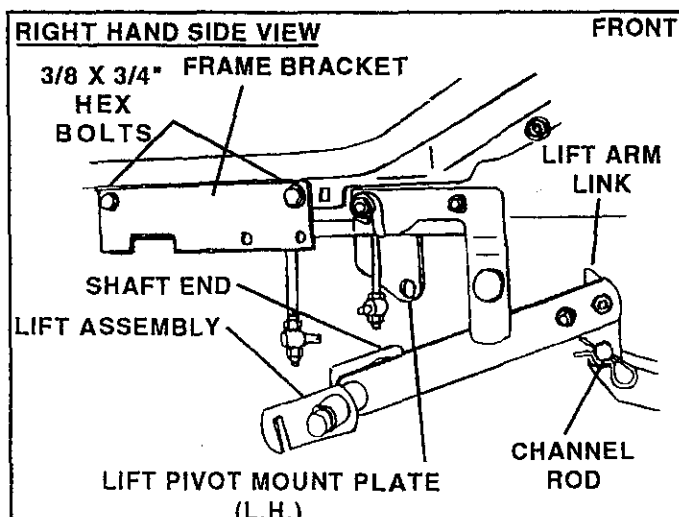


FIGURE 19

20. Assemble trunnions that were assembled to the lift link rods in step 12, through lift assembly arms and secure with 7/16" flat washers and (small) hairpin cotters. Note: Trunnions must be positioned to outside of lift assembly arms. See figure 20.

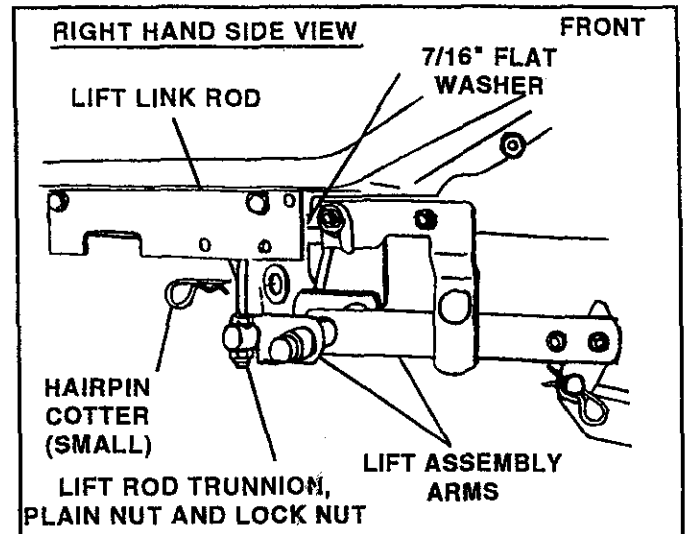


FIGURE 20

21. Assemble lift pivot plate over right hand end of lift assembly pivot shaft and connect to outside of frame bracket using two 3/8" x 3/4" clevis pins from inside. Secure with two 3/32" (small) hairpin cotters. Secure ends of pivot shaft to each lift pivot plate with 1/8" (large) hairpin cotter. See figures 20 and 21.

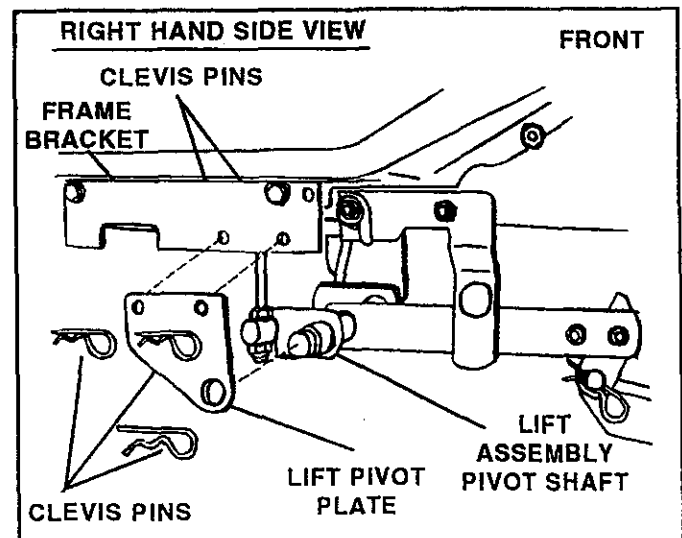


FIGURE 21

22. Assemble support bracket onto right hand side of tractor using two 3/8" x 1" hex bolts inside and secure with 3/8" lock washers, and 3/8" hex lock nuts on outside. See figure 22.

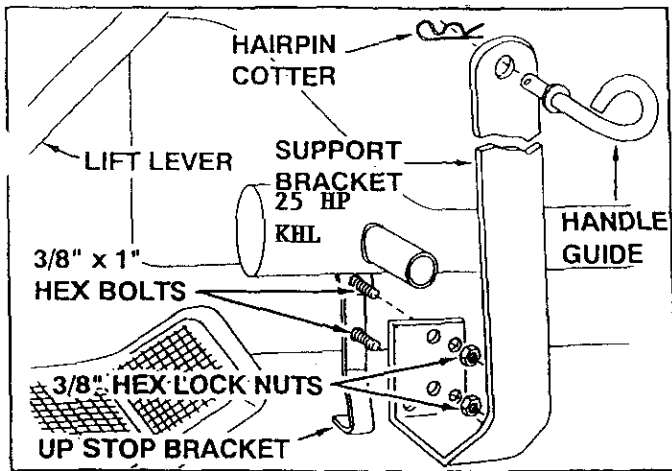


FIGURE 22

23. Assemble handle guide (with loop outside) at top of support bracket and secure with one hairpin cotter inside. See figures 22 and 23.

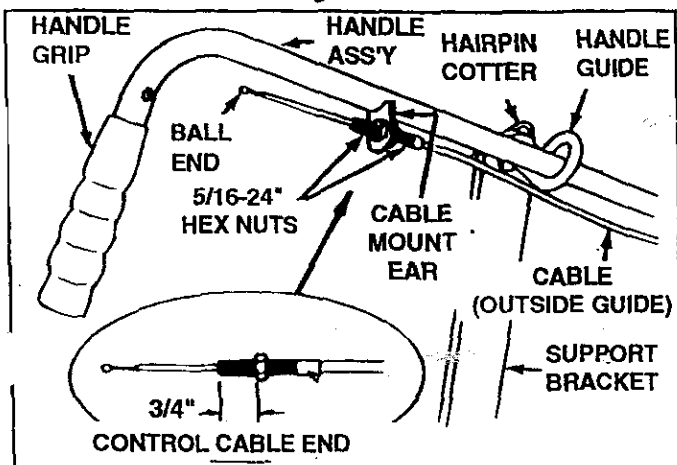


FIGURE 23

24. Assemble handle assembly down through handle guide as shown in figure 23. Secure lower end of handle to top side of blade pivot bracket with special shoulder bolt (on top) and 3/8" hex whizlock nut underneath. See figure 24.

25. Assemble one 5/16-24" hex nut onto threaded end of control cable approximately 3/4" from end. Assemble threaded end of cable up through cable mount ear and secure with second 5/16-24" hex nut. See figure 24.

26. Assemble handle grip on upper end of handle assembly if not already pre-assembled. See figure 23.

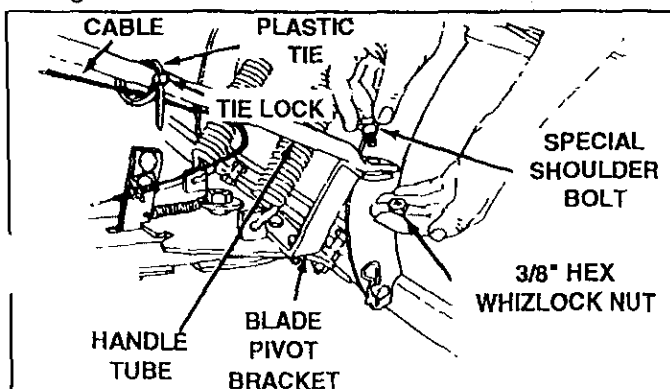


FIGURE 24

27. Wrap plastic tie around handle tube and cable, (see figure 24), assembling end of tie through lock. Pull plastic tie tight to retain cable to handle tube near front of tractor hood. Cut off extra plastic end.

28. Assemble grip assembly to handle assembly using one 5/16" x 1-1/2" hex bolt and one 5/16" hex lock nut. **NOTE: Do not over tighten lock nut, grip assembly must pivot freely.**

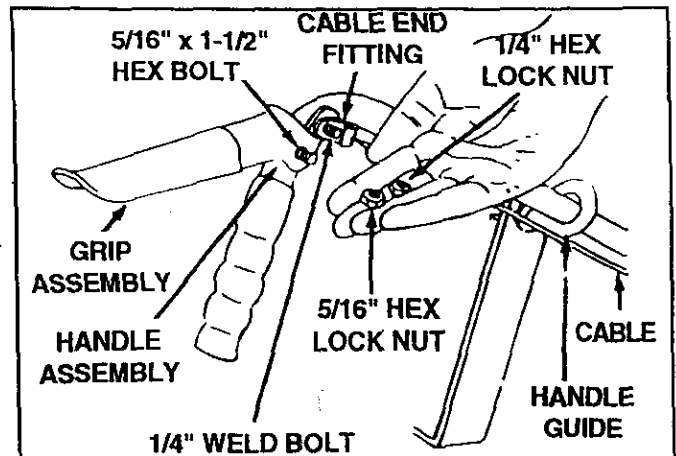


FIGURE 25

29. Assemble ball end of cable (see figure 23), through round hole in cable end fitting and into slot of fitting. See figure 25. Assemble cable end fitting over 1/4" weld bolt on grip assembly and secure with one 1/4" hex lock nut. **NOTE: Do not over tighten lock nut, cable fitting must pivot freely.**

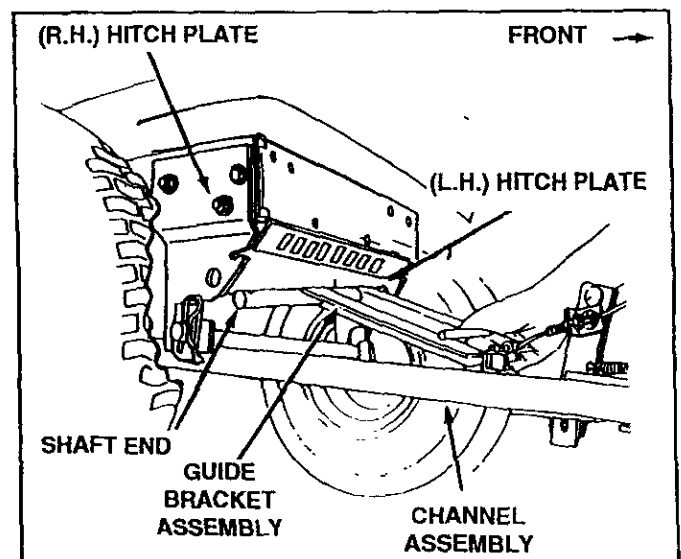


FIGURE 26

30. Assemble guide bracket assembly shaft end into the left hand hitch plate. See figure 26. Slide guide assembly back to the right and into the hole in the right hand hitch plate, and secure with a hairpin cotter on each end. See figure 27. Lower front end of guide bracket assembly to straddle channel assembly. See figure 27.

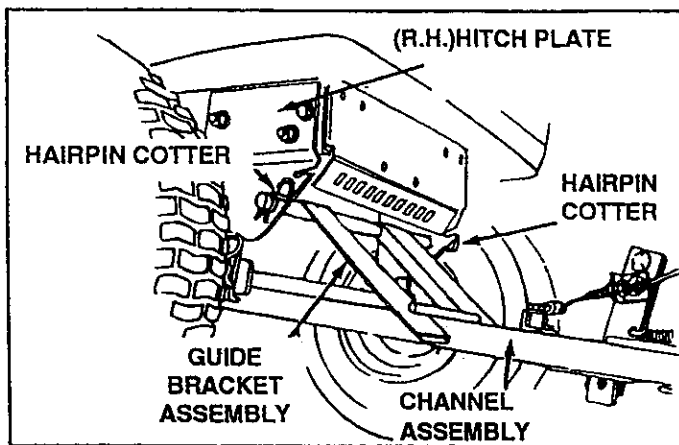


FIGURE 27

OPERATION INSTRUCTIONS AND ADJUSTMENTS



HIDDEN OBJECTS CAN CAUSE SUDDEN STOPS OF CHANGE IN DIRECTION

CONTROLS

Become familiar with all of the controls and adjustments on the tractor and dozer blade before operating. Refer to tractor owners manual for tractor controls. Controls for operating dozer blade are as follows:

A. LIFT CONTROL LEVER:

Located on right hand side of tractor. See figure 28. Move lever forward to lower dozer blade. Pull lever back to raise dozer blade. Pulling lever all the way back locks dozer blade in up position.

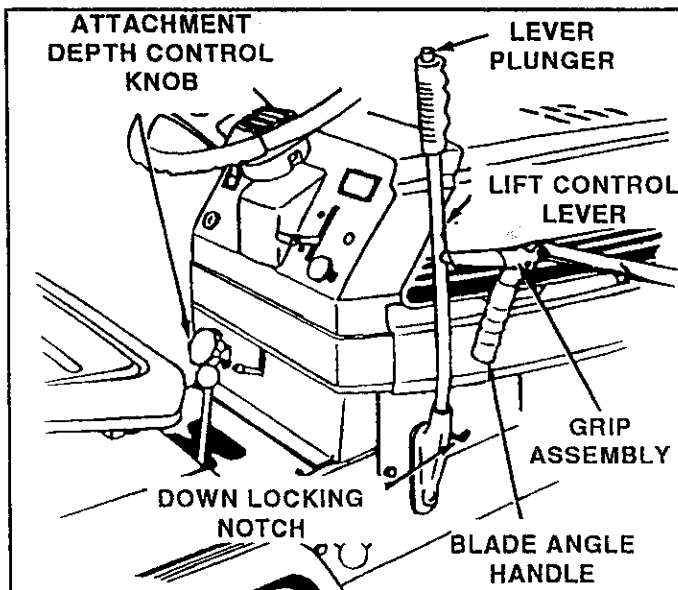


FIGURE 28

B. LIFT LEVER PLUNGER:

Located on top of lift control lever. See figure 28. Pull back on lift control lever and depress plunger to release.



WITH THE DOZER BLADE IN THE "UP" POSITION DO NOT DEPRESS THE PLUNGER WITHOUT HOLDING BACK ON THE LIFT CONTROL LEVER OR DOZER BLADE MAY SUDDENLY DROP.

C. Attachment depth control knob:

Adjust lift control lever movement with attachment DEPTH CONTROL KNOB (see figure 28) for maximum movement between locking notches and to prevent lever from locking in the down lock notch. See figure 28.

D. Blade angle handle and grip assembly:

Located on right hand side of tractor. See figure 28. NOTE: Always raise dozer blade and lock in "up" position before moving angle control handle. Depress grip assembly to release blade angle lock and push/pull angle control handle forward to move dozer blade angle to left, center, right and release grip to lock.

ADJUSTMENTS

A. Blade angle lock bars.

If angle lock bars Do Not completely disengage from slots in pivot plate assembly, adjustment of cable is required. See figure 29.

B. Adjust blade springs:

To change spring tension (stand in front of blade assembly), adjust the nuts at the upper end of the springs (see figure 29) turning counter clockwise to relieve tension and clockwise to increase tension.

Adjust spring adjustment nuts approximately 1/4 from end when moving snow or other light material, (keep spring tension light for safety). This frees the blade to spring trip and return if a hidden obstacle is encountered.

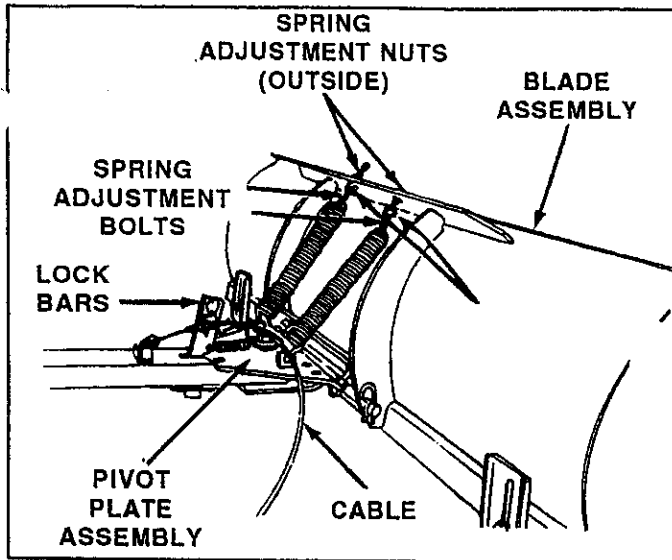


FIGURE 29

! KNOW THE TERRAIN. AVOID EXCEPTIONALLY SHARP SLOPES OR DROP-OFFS WHICH MAY BE HIDDEN BY THE SNOW. NEVER RUN THE DOZER BLADE INTO HEAVY MATERIAL AT HIGH SPEED.

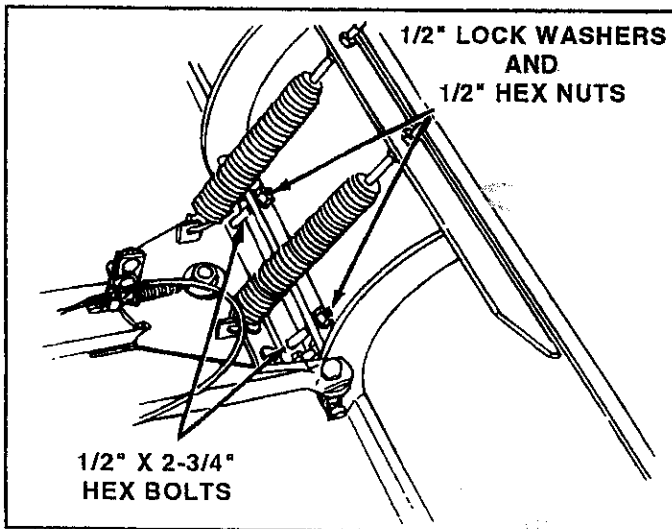


FIGURE 30

C. Dozer spring lockout:

To lock dozer blade spring trip action for heavy dozer work, install two 1/2" x 2-3/4" hex bolts (included in hardware package) as shown in figure 30. Secure with two 1/2" lock washers, and two 1/2" hex nuts.

! DO NOT OPERATE TRACTOR AND DOZER BLADE AT HIGH SPEEDS WITH SPRING TRIP ACTION IN LOCKED OUT POSITION.

D. Blade shoe adjustment:

Blade shoes on end of blade, (see figure 31), maybe raised for clean dozing on smooth surfaces or lowered to raise the blade to work on rough or uneven areas. Make sure both shoes are set evenly and nuts are tightened securely.

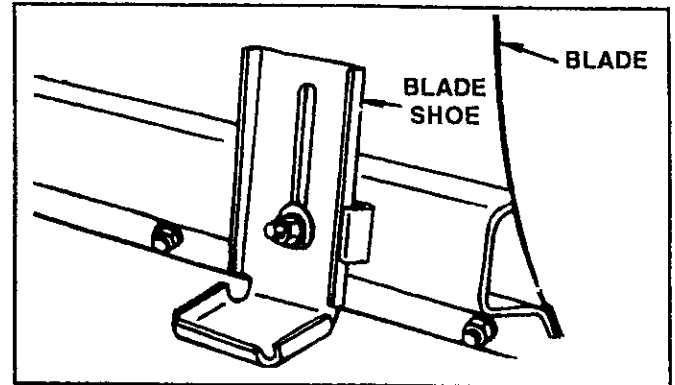


FIGURE 31

➔ NOTE

Wheel weights and tire chains should be used with your dozer to improve traction. For additional traction, install wheel weight on rear of drawbar using a weight bracket kit and one wheel weight from the wheel weight kit. These accessories are available at your nearest Sears retail or catalog store.

OPERATION

! INSPECT THE AREA TO BE WORKED CAREFULLY BEFORE OPERATING THE DOZER BLADE. AVOID PIPES, ROOTS, CURBS OR OTHER HEAVY OBSTRUCTIONS.

1. Prepare the tractor engine for cold weather use following instructions furnished with tractor.
2. Always begin with transmission in first (low) gear and gradually increase speed as required.
3. If blade is stored in heated area, allow tractor and blade to adjust to outdoor temperature before operating to reduce icing on the metal surfaces.

! ALWAYS LOWER BLADE TO GROUND BEFORE LEAVING TRACTOR.

TO REMOVE DOZER BLADE FROM TRACTOR

1. Lower blade to ground with blade in the center (straight) position.
2. Refer to figure 32 below and;
 - A. Remove 1/8" hairpin cotter from the lift arm link and channel assembly.
 - B. Remove 3/32" (small) hairpin cotters and 7/16" flat washers from each lift assembly arm.
 - C. Remove 3/32" (small) hairpin cotters from right and left hand lift pivot plates, remove two 3/8" clevis pins from each side of frame, unhook and lower the lift assembly to the ground.
 - D. Remove lift rod trunnions and hex nuts from each lift link rod. See Figure 32 and figure 16 on page 7.



NOTE
Frame Brackets do not require removal for re-assembly of mower deck. See figure 32.

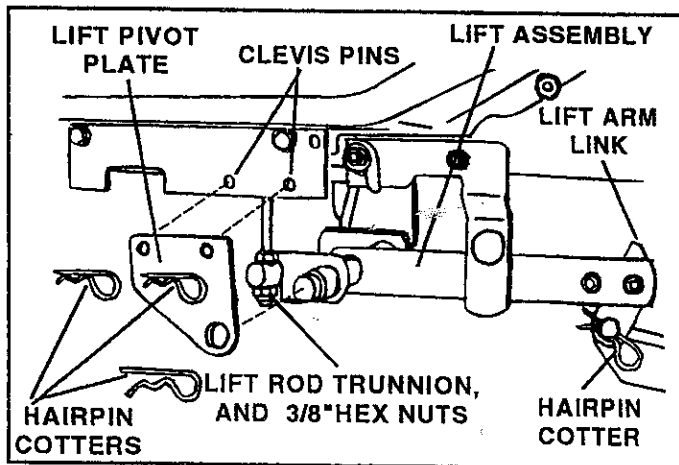


FIGURE 32

- E. Re-install suspension arms and up stop bracket removed on page 5. See figure 9 on page 5. Refer to tractor owners manual to re-install and level mowing deck. **Mowing deck must be leveled.**
- F. Refer to figure 3 and remove 1/8" (large) hairpin cotters from ends of guide bracket assembly and remove guide bracket assembly.
- G. Refer to figure 33 and remove hairpin cotters from end of channel assembly pivot shaft and remove keeper plates. Lift the channel assembly pivot shaft out of the hitch plates and lower channel assembly to the ground.

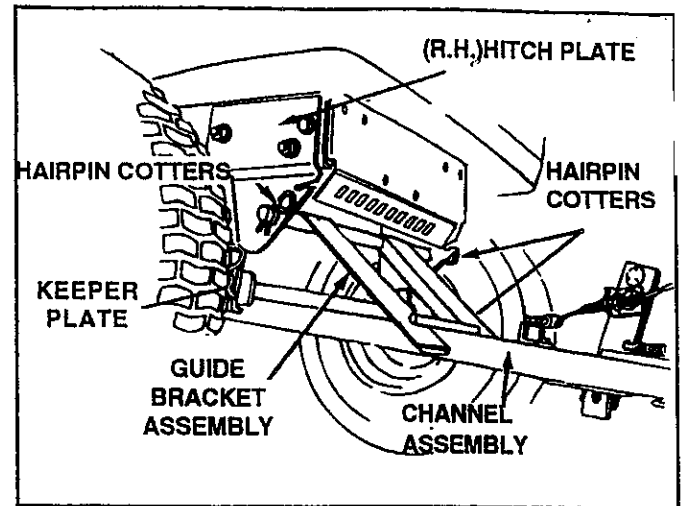


FIGURE 33

- H. Refer to figure 34 and remove hairpin cotter from end of handle guide to release handle assembly from tractor.
- I. Save all loose parts and hardware for re-assembly of blade to tractor.

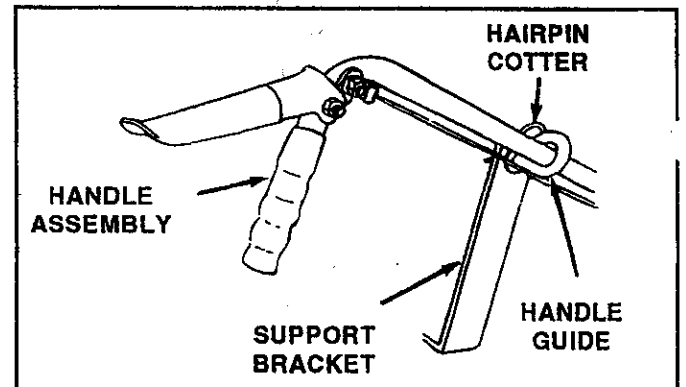


FIGURE 34

CUSTOMER RESPONSIBILITIES

During the operating season, check all bolts, nuts and hairpin cotters to be sure they are secure. For improved snow removal performance, coat the blade with automotive type paste wax.

LUBRICATION

Oil all pivot points so they will work freely.

SCRAPER BAR

After extensive use, and wear the scraper bar may be reversed to utilize the unused top edge. See figure 35.

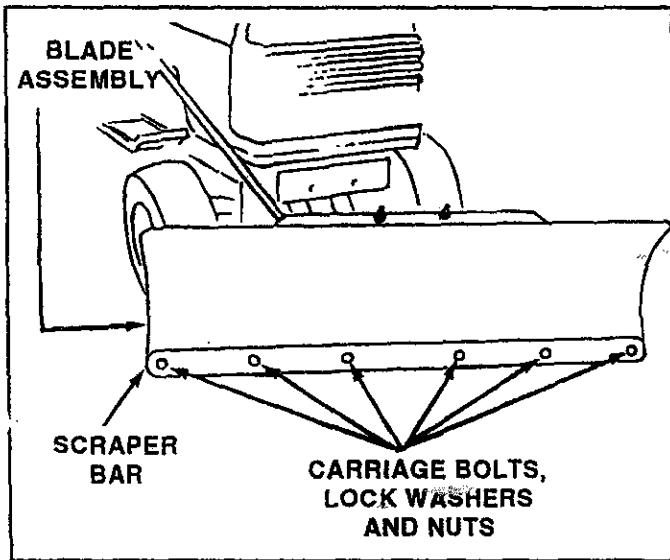


FIGURE 35

STORAGE

When the dozer is not being used, remove all dirt and rust and touch up with paint. Apply a light coat of grease or rust preventative to the blade and oil pivot points.

Store in an area where it is protected from weather.

Attachments That Add to the Usefulness of Your Craftsman Tractor

Sears offers a wide variety of attachments that for your tractor. Many of these are listed below with brief explanations of how they can help you.

Most of these attachments do not require additional hitches or conversion kits (those that do are indicated) and are designed for easy attaching and detaching. You may order these attachments at most Sears retail stores, catalog sales offices, and through the catalog.

Tire Chains are heavy duty, closely-spaced with extra-large cross links that give smooth ride and outstanding traction.

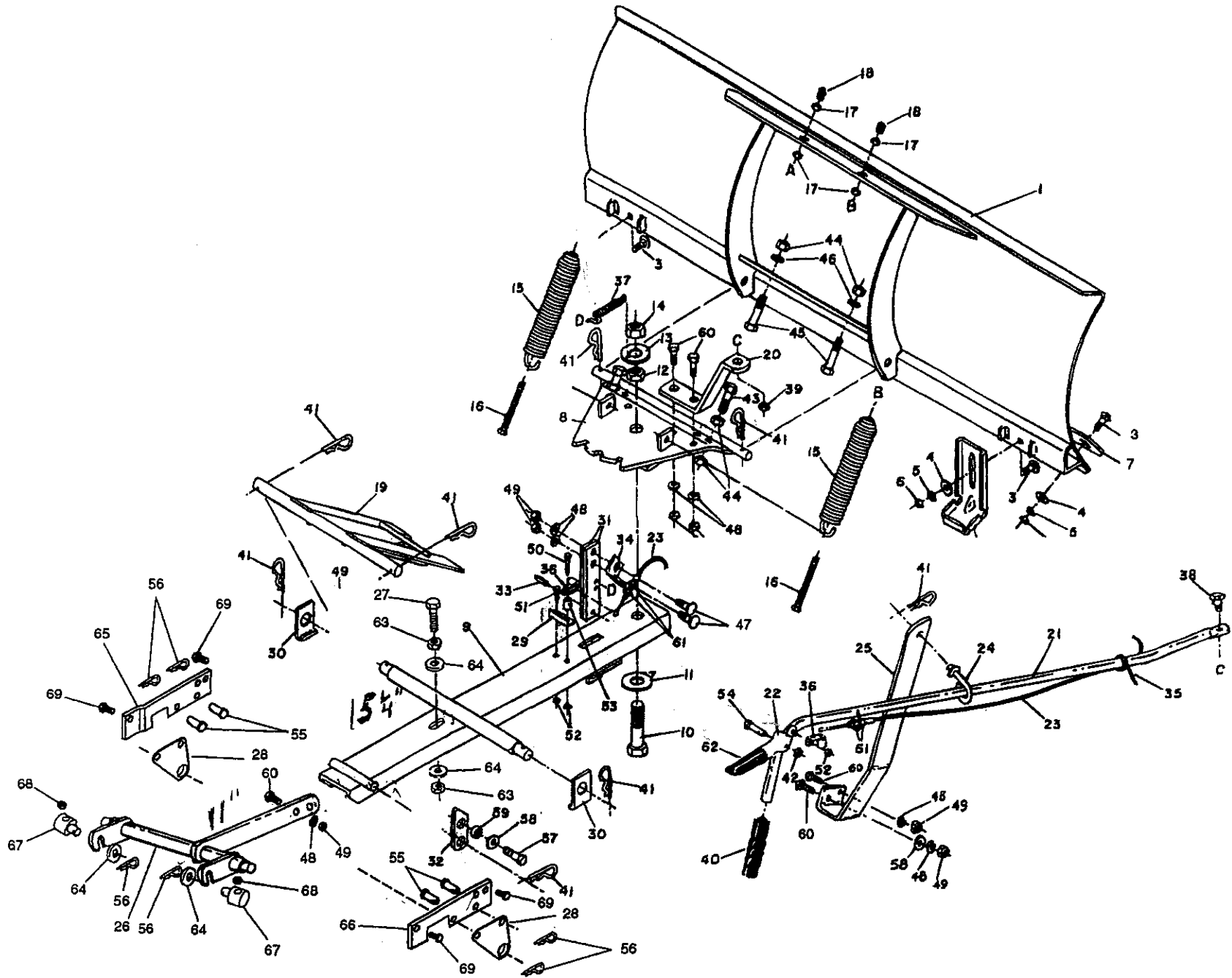
Wheel weights for rear wheels provide needed traction for snow removal or dozing heavy materials.

Weight (each)	Fits
30 lb.	Lawn Tractor with 8 in. rims
33 lb.	Lawn or Yard Tractors with 10 in. rims
55 lb.	Garden Tractor with 12 in. rims

Wheel weight mounting bracket is available to mount one 55 pound weight on the rear of your tractor frame for added traction.

REPAIR PARTS FOR MODEL

48" DOZER BLADE



REPAIR PARTS LIST FOR MODEL

48" DOZER BLADE

REF. NO.	PART NO.	QTY.	DESCRIPTION	REF. NO.	PART NO.	QTY.	DESCRIPTION
1	62554	1	48" Blade Ass'y.	36	746-0260	2	Cable Fitting, End
2	R3132J	2	Shoe	37	43348	1	Angle Lock Spring
3	43079	8	Carriage Bolt 5/16-18 x 1"	38	738-0234	1	Shoulder Bolt (Special)
4	43081	8	Washer 5/16 Std. Wrt.*	39	44072	1	Hex Whizlock Nut 3/8-16
5	43086	8	Lock Washer, Spring 5/16*	40	7071	1	Handle Grip 3/4"
6	43083	8	Hex Nut 5/16-18*	41	43343	10	Hairpin Cotter 1/8"
7	23639	1	Wear Plate 48"	42	43064	1	Hex Lock Nut 5/16-18*
8	62556	1	Pivot Plate Ass'y.	43	41596	2	Hex Bolt 1/2-13 x 2"
9	62944	1	Channel Ass'y.	44	712-0206	6	Hex Nut 1/2-13*
10	710-0741	1	Hex Bolt 3/4-10 x 3-1/2"	45	43510	2	Hex Bolt 1/2-13 x 2-3/4"
11	1540-162	1	Washer 3/4"	46	43353	2	Lock Washer, Spring 1/2"
12	40436	1	Hex Jam Nut 3/4-10*	47	710-0305	2	Carriage Bolt 3/8-16 x 1-1/4"
13	736-0306	1	Washer 3/4 (Special)	48	43003	8	Lock Washer, Spring 3/8*
14	40598	1	Hex Lock Nut 3/4-10	49	43082	8	Hex Lock Nut 3/8-16*
15	9466R	2	Blade Adjustment Spring	50	1509-90	1	Hex Bolt 1/4-20 x 1-1/4"
16	44071	2	Hex Bolt 3/8-16 x 3-1/2"	51	43866	1	Hex Bolt 1/4-20 x 5/8"
17	43015	4	Hex Nut 3/8-16*	52	43013	3	Hex Lock Nut 1/4-20*
18	44074	2	Plastic Cap, 3/8"	53	23658	1	Spacer
19	62868	1	Guide Bracket Ass'y.	54	43085	1	Hex Bolt 5/16-18 x 1-1/2"
20	23646	1	Blade Pivot Bracket	55	44044	4	Clevis Pin, 3/8" Dia. x 3/4" Lg.
21	62560	1	Tube Handle Ass'y.	56	43055	6	Hairpin Cotter 3/32"
22	62561	1	Release Grip Ass'y.	57	43087	1	Hex Bolt 3/8-16 x 1-1/4"
23	746-0366	1	Control Cable Ass'y	58	43070	1	Washer 3/8 Std. Wrt.*
24	62562	1	Handle Guide	59	23625	1	Pivot Bushing
25	23728	1	Support Bracket	60	43001	5	Hex Bolt 3/8-16 x 1"
26	62951	1	Lift Ass'y.	61	712-0256	4	Hex Jam Nut 5/16-24*
27	45100	1	Hex Bolt 1/2-13 x 4"	62	731-0869	1	Plastic Grip
28	23922	2	Lift Pivot Plate	63	43019	2	Hex Jam Nut 1/2-13*
29	23655	1	Stop Angle	64	43352	4	Washer 7/16 Std. Wrt.*
30	23624	2	Keeper Plate	65	23923	1	Frame Bracket (LH)
31	23151	2	Angle Lock Bar	66	23924	1	Frame Bracket (RH)
32	23631	1	Lift Arm Link	67	46001	2	Lift Rod Trunnion
33	43349	1	Spring Pin 1/4 x 1"	68	43015	2	Hex Nut 3/8-16 Thread
34	05762	1	Cable Mount Bracket	69	43407	4	Hex Bolt 3/8-16 x 3/4" Long*
35	726-0178	1	Nylon Tie (Cable)	--	45185	1	Owners Manual

*Purchase common hardware locally.

Sears, Roebuck and Co. reserves the right to make any changes in design or improvements without imposing any obligation to install the same upon its items heretofore manufactured.

SEARS

owners manual

Model No.

486.244120

48"

DOZER BLADE

How to Order Repair Parts

48" DOZER BLADE

Always mention the Model Number when requesting service or repair parts for your dozer blade.

All parts listed herein may be ordered from any Sears Service Center and most Sears stores.

WHEN ORDERING REPAIR PARTS, ALWAYS GIVE THE FOLLOWING INFORMATION:

- THE PART NUMBER
- THE PART DESCRIPTION
- THE MODEL NUMBER
- THE NAME OF MERCHANDISE

If the parts you need are not stocked locally, your order will be electronically transmitted to a Sears Repair Parts Distribution Center for handling.

LIMITED ONE YEAR WARRANTY ON 48" DOZER BLADE

For one year from date of purchase, when this dozer blade is maintained and lubricated according to the operating and customer responsibilities instructions in the owner's manual, Sears will repair free of charge any defect in material or workmanship.

If this dozer blade is used for commercial or rental purposes, this warranty applies for only 90 days from the date of purchase.

This warranty does not cover:

repairs necessary because of operator abuse or negligence, including the failure to maintain the equipment according to instructions contained in the owner's manual.

WARRANTY SERVICE IS AVAILABLE BY RETURNING IT TO THE NEAREST SEARS SERVICE CENTER/DEPARTMENT IN THE UNITED STATES.

This warranty applies only while this product is in use in the United States.

This warranty gives you specific legal rights, and you may also have other rights which vary from state to state.

Sears, Roebuck and Co. D/817WA, Hoffman Estates, IL. 60179

Sears, Roebuck and Co., Hoffman Estates, IL. 60179 U.S.A.

Free Manuals Download Website

<http://myh66.com>

<http://usermanuals.us>

<http://www.somanuals.com>

<http://www.4manuals.cc>

<http://www.manual-lib.com>

<http://www.404manual.com>

<http://www.luxmanual.com>

<http://aubethermostatmanual.com>

Golf course search by state

<http://golfingnear.com>

Email search by domain

<http://emailbydomain.com>

Auto manuals search

<http://auto.somanuals.com>

TV manuals search

<http://tv.somanuals.com>